

50 SX 2007

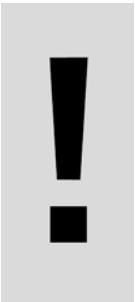
SPARE PARTS MANUAL: ENGINE

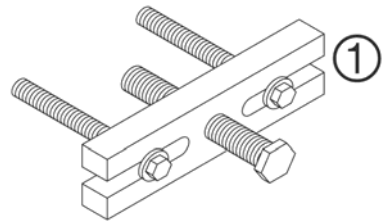
ART.NO.: 3CM080256EN

ENGLISH

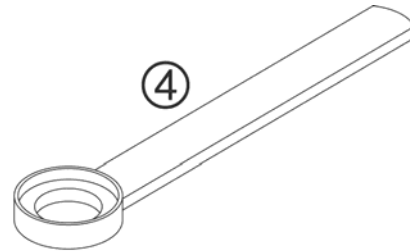
The KTM logo is located in the bottom right corner of the page. It consists of the letters 'KTM' in a bold, italicized, sans-serif font. The 'K' and 'T' are connected, and the 'M' is separate. The logo is black and set against a light gray background.

| | | | |
|---|---|---|--|
| <p>SPECIAL TOOLS</p> <p>HOLZPLATTE - SELBSTGEFERTIGT WOODEN PLATE - HOME MADE</p> <p>3</p> | <p>CRANKSHAFT, PISTON</p> <p>AB, CD, EF</p> <p>4</p> | <p>CYLINDER, CYLINDER HEAD</p> <p>LOCTITE 243 A</p> <p>A, B, C</p> <p>5</p> | <p>ENGINE CASE</p> <p>Dichtungsquadrat Gasket Set MSR</p> <p>6</p> |
| <p>CARBURETOR</p> <p>▲ ACHTUNG !!! Vor dem Einbau des Vergasers, Bedienung kontrollieren. CAUTION !!! Before mounting the carburetor, check the jetting.</p> <p>7</p> | <p>CLUTCH</p> <p>8</p> | <p>KICKSTARTER</p> <p>9</p> | <p>TRANSMISSION</p> <p>10</p> |
| <p>COOLING SYSTEM</p> <p>11</p> | <p>IGNITION SYSTEM</p> <p>LOCTITE 243 A</p> <p>12</p> | | |

| | | | |
|--|---|---|--|
| | | | |
| | | | |
| |  | <p>All information contained is without obligation. KTM-Sportmotorcycle AG particularly reserves the right to modify any equipment, technical specifications, prices, colors, shapes, materials, services, service work, constructions, equipment and the like so as to adapt them to local conditions or to cancel any of the above items, all without previous announcement and without giving reasons. KTM may stop manufacturing certain models without previous notice. KTM shall not be held liable for any deviations of availability and/or ability to deliver, illustrations, descriptions, printing and/or other errors. The illustrated models partly contain extra equipment, which is not applied to standard models. © 2004 by KTM-SPORTMOTORCYCLE AG, Mattighofen AUSTRIA; All rights reserved; Reprint, also in extracts, with written allowance of KTM-SPORTMOTORCYCLE AG, Mattighofen only.</p> | |



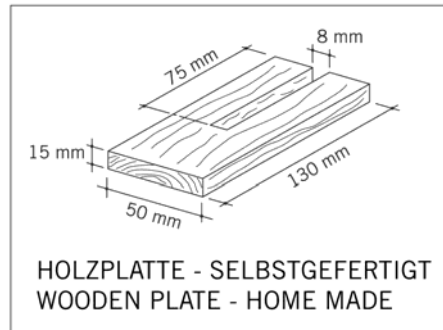
①



④



②



⑤



| FIG | PART NUMBER | DESCRIPTION | QTY |
|-----|-------------|--------------------------------|-----|
| 1 | 59029021044 | EXTRACTOR PRIM. GEAR CPL. | 1 |
| 2 | 6899785 | LOCTITE 243 BLUE 6CCM | 1 |
| 4 | 45112021000 | HOLDING SPANNER F. FLYWHEEL 02 | 1 |
| 5 | 45129006000 | ADJUSTING PLATE 50SX MINI 2001 | 1 |

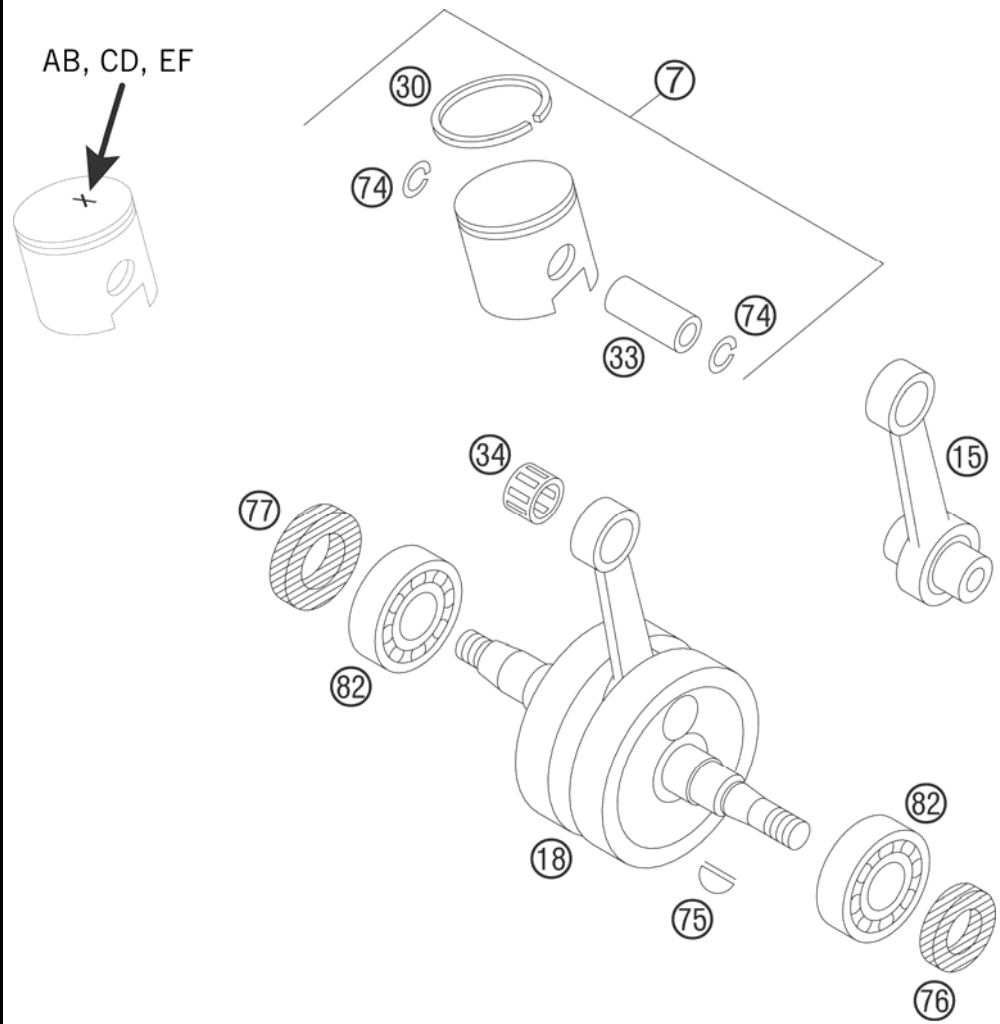
05450290 / C064502900

* NEW PART

X AS REQUIRED

CRANKSHAFT, PISTON

50 SX 2007



| FIG | PART NUMBER | DESCRIPTION | QTY |
|-----|---------------|--------------------------------|-----|
| 7 | 45130007000 A | PISTON CPL.39,5 "AB" 50 LC 01 | x |
| 7 | 45130007000 C | PISTON CPL.39,5 "CD" 50 LC 01 | x |
| 7 | 45130007000 E | PISTON CPL.39,5 "EF" 50 LC 01 | x |
| 15 | 45130015000 | CON.ROD REPAIRS. 50CCM LC 2001 | 1 |
| 18 | 45130018100 | CRANKSHAFT 50 LC 2004 | 1 |
| 30 | 45130030000 | PISTON RING 50CCM LC 2001 | 1 |
| 33 | 45130033000 | PISTON PIN 50CCM LC 2001 | 1 |
| 34 | 45130034000 | NEEDLE BEAR.PISTONPIN 12X15X15 | 1 |
| 74 | 45130074000 | CIRCLIP 2001 | 2 |
| 75 | 45130075000 | WOODRUFF KEY 2,5X3,7 | 1 |
| 76 | 45130076000 | OIL SEAL RING 15X24X7 | 1 |
| 77 | 45130077000 | OIL SEAL RING 17X35X7 | 1 |
| 82 | 45130082100 | BALL BEARING 17X40X12 2002 | 2 |

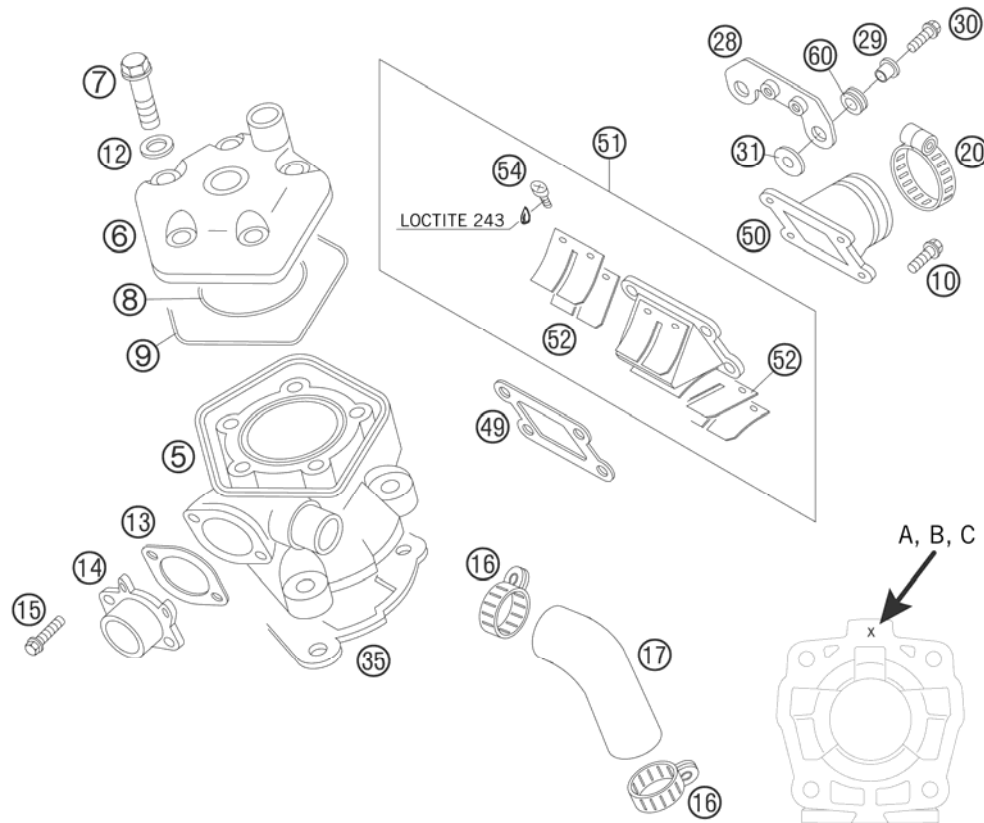
05450306 / C064513001

* NEW PART

X AS REQUIRED

CYLINDER, CYLINDER HEAD

50 SX 2007

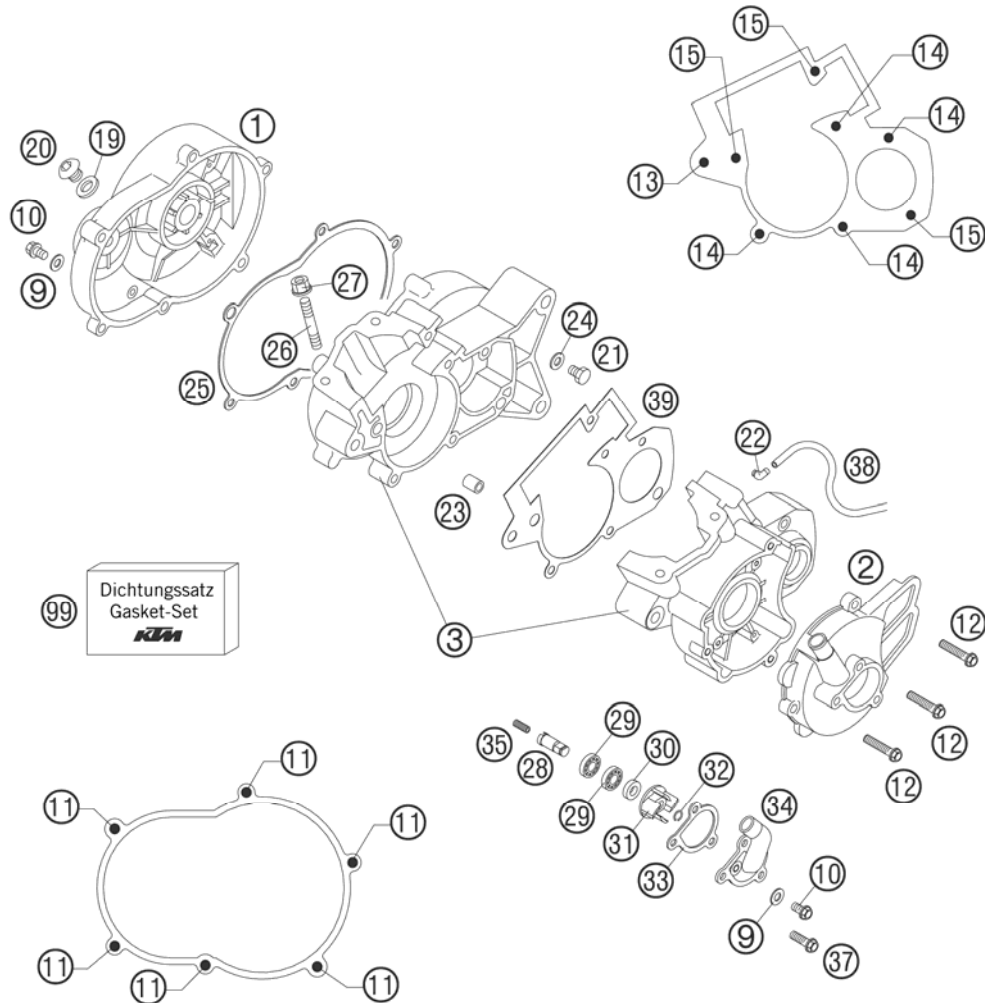


| FIG | PART NUMBER | DESCRIPTION | QTY |
|-----|---------------|--------------------------------|-----|
| 5 | 45130005100 A | CYLINDER 50 LC "A" 2002 | x |
| 5 | 45130005100 B | CYLINDER 50 LC "B" 2002 | x |
| 5 | 45130005100 C | CYLINDER 50 LC "C" 2002 | x |
| 6 | 45130006100 | CYLINDER HEAD 50 LC 2002 | 1 |
| 7 | 46030079000 | CYLINDERHEADSCR.HH-M7X33 2001 | 5 |
| 8 | 46030036000 | O-RING 53,7X1,78 VITON | 1 |
| 9 | 46030037000 | O-RING 94,97X1,78 | 1 |
| 10 | 0015060203 | HH COLLAR SCREW M 6X20 WS=8 | 2 |
| 12 | 50230032010 | CU-SEAL RING 7,3 X 12 X 0,5 | 5 |
| 13 | 46030046000 | EXHAUST GASKET 60/65 CCM | 1 |
| 14 | 45105003100 | EXHAUST FLANGE 50 LC 2002 | 1 |
| 15 | 0015060203 | HH COLLAR SCREW M 6X20 WS=8 | 2 |
| 16 | 10001020000 | HOSE CLAMP GEMI 16-27 | 2 |
| 17 | 45135027000 | PRE-FORM HOSE CYL.-W.COVER | 1 |
| 20 | 10001120000 | CLAMP 25-40 SGT 4 | 1 |
| 28 | 45139028000 | BRACKET IGNITI. COIL 50LC 2001 | 1 |
| 29 | 45139128000 | COLLAR BUSHING 6,3X8X7,5 | 2 |
| 30 | 0015060303 | HH COLLAR SCREW M 6X30 WS=8 | 2 |
| 31 | 0125060003 | WASHER DIN0125-A 6,4 | 2 |
| 35 | 46030035020 | CYLINDER BASE GASKET 0,2 MM | x |
| 35 | 46030035050 | CYLINDER BASE GASKET 0,5 MM | x |
| 49 | 46030049000 | INTAKE VALVE GASKET | 1 |
| 50 | 45130050000 | INLET MANIFOLD 50CCM LC 2001 | 1 |
| 51 | 46030051144 | MEMBRANE HOUSING CPL.65SX 2001 | 1 |
| 52 | 46030052000 | MEMBRANE LOOSE 60/65 CCM | 2 |
| 54 | 0985030063 | FLAT HEAD SCREW DIN7985-M 3X6 | 4 |
| 60 | 31008060000 | RUBBER SLEEVE D=8MM OPEN | 2 |

05451304 / C064513002

* NEW PART

X AS REQUIRED



| FIG | PART NUMBER | DESCRIPTION | QTY |
|-----|-------------|--------------------------------|-----|
| 1 | 45130001100 | CLUTCH COVER 50 2004 | 1 |
| 2 | 45130002000 | IGNITION COVER 50CCM LC 2001 | 1 |
| 3 | 45130000044 | ENGINE CASE 50CCM LC 2001 | 1 |
| 9 | 0603061001 | CU-SEAL RING DIN7603-6X10X1 | 2 |
| 10 | 0015060103 | HH COLLAR SCREW M 6X10 WS=8 | 2 |
| 11 | 0015060253 | HH COLLAR SCREW M 6X25 WS=8 | 6 |
| 12 | 0015060303 | HH COLLAR SCREW M 6X30 WS=8 | 3 |
| 13 | 0015080603 | HH COLLAR SCREW M 8X60 WS=10 | 1 |
| 14 | 0912060353 | AH SCREW DIN0912-M 6X35 | 4 |
| 15 | 0912060404 | AH SCREW DIN0912-M 6X40 A2 | 3 |
| 19 | 45130019000 | GASKET FOR OIL PLUG | 1 |
| 20 | 45130020000 | OIL PLUG 50 LC 2001 | 1 |
| 21 | 46030021100 | OIL DRAIN PLUG M10 WS=13 | 1 |
| 22 | 45130022000 | ANGLE PIECE 50CCM LC 2001 | 1 |
| 23 | 45130023000 | DOWEL 7X9X10 | 4 |
| 24 | 0603100141 | COPPER GASKET DIN7603-10X14X1 | 1 |
| 25 | 45130025000 | GASKET FOR CLUTCH COVER 2001 | 1 |
| 26 | 46030043000 | STUD M8X41 | 4 |
| 27 | 46030045000 | COLLAR NUT M8 WS=10 | 4 |
| 28* | 45135054100 | WATER PUMP SHAFT 50 LC 2007 | 1 |
| 29 | 46035058000 | WA.PU.BEAR. 10X19X5 DOUBLELIP | 2 |
| 30 | 46035056100 | SHAFT SEAL RING 10X18X4 | 1 |
| 31 | 46035055100 | WATER PUMP WHEEL 60/65 '99 | 1 |
| 32 | 0471090010 | CIRCLIP DIN0471- 9X1 | 1 |
| 33 | 45135053000 | GASKET WATER PUMP COVER 02 | 1 |
| 34 | 45135052000 | WATER PUMP COVER 50 LC 2002 | 1 |
| 35 | 45135058000 | SPRING FOR WATER PUMP SHAFT 04 | 1 |
| 37 | 0015060163 | HH COLLAR SCREW M 6X16 WS=8 | 3 |
| 38 | 52031137001 | PVC-HOSE 3X5MM | x |
| 39 | 45130039000 | ENGINE CASE GASKET 50 LC 2001 | 1 |
| 99 | 45130099000 | GASKET SET CPL. 50 LC 2001 | 1 |

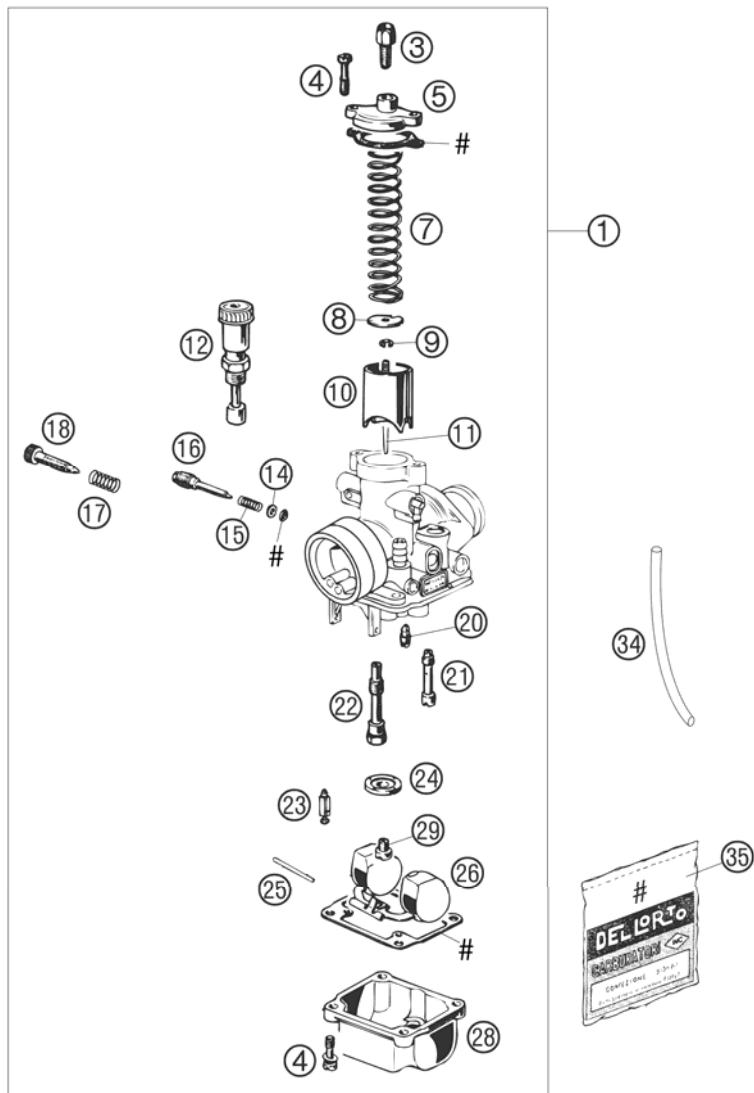
05451300 / C074513000

* NEW PART

X AS REQUIRED



ACHTUNG !!!
Vor dem Einbau des Vergasers, Bedüsung kontrollieren.
CAUTION !!!
Before mounting the carburetor, check the jetting.

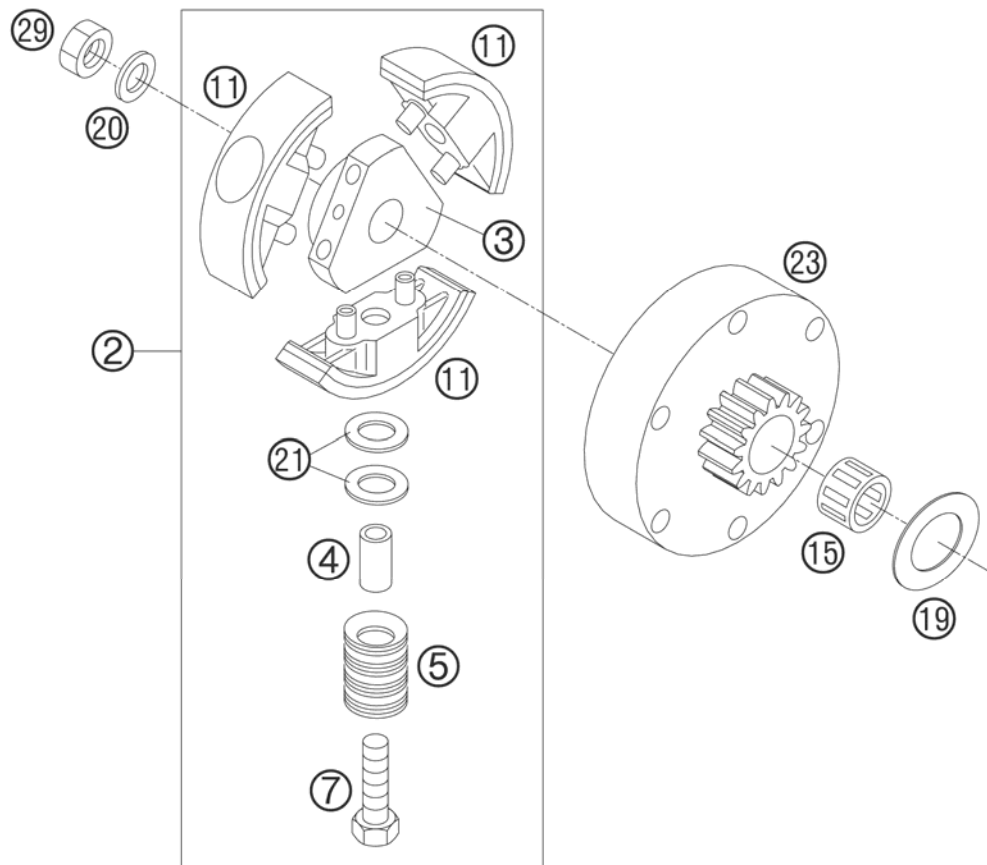


| FIG | PART NUMBER | DESCRIPTION | QTY |
|-----|-------------|--------------------------------|-----|
| 1 | 45131001100 | CARBUR. DELLO. PHBG 19 BS 2001 | 1 |
| 3 | 57031525000 | ADJUSTMENT SCREW M6X0,75 | 1 |
| 4 | 0016040163 | HH COLLAR SCREW M 4X16 WS=6 | 6 |
| 5 | 45131027000 | CARBURETOR COVER DELLORTO 19 | 1 |
| 7 | 45131030000 | SPRING DELLORTO | 1 |
| 8 | 45131109000 | RETAINING SPRING DELLORTO | 1 |
| 9 | 0799025055 | TAB WASHER DIN6799-RS 2,5 | 1 |
| 10 | 45131035000 | THROTTLE VALVE DELLO.19 2001 | 1 |
| 11 | 45131034009 | JET NEEDLE W9 | 1 |
| 12 | 45131048000 | STARTING BUTTON DELLORTO 19 | 1 |
| 14 | 57031572000 | WASHER 3,3 X 5,8 X 0,5 | 1 |
| 15 | 45131015000 | SPRING DELLORTO | 1 |
| 16 | 45131017000 | AIR ADJUST SCREW DELLORTO | 1 |
| 17 | 45131016000 | SPRING FOR AIR ADJUST SCREW | 1 |
| 18 | 45131019000 | IDLE ADJUST SCREW | 1 |
| 20 | 45131007045 | IDLING JET 45 DELLORTO | x |
| 20 | 45131007048 | IDLING JET 48 DELLORTO | 1 |
| 20 | 45131007050 | IDLING JET 50 DELLORTO | x |
| 20 | 45131007052 | IDLING JET 52 DELLORTO | x |
| 21 | 45131051060 | START JET 60 DELLORTO | 1 |
| 22 | 45131021260 | NEEDLE JET 260 | 1 |
| 23 | 45131020000 | FLOATING NEEDLE VALVE DELLORTO | 1 |
| 24 | 45131074000 | COVER DELLORTO | 1 |
| 25 | 45131008000 | PIN DELLORTO | 1 |
| 26 | 45131009000 | FLOAT 4 GR. | 1 |
| 28 | 45131011000 | FLOAT BOWL DELLORTO 19 | 1 |
| 29 | 15131123080 | MAIN JET 80 DELLORTO | x |
| 29 | 15131123085 | MAIN JET 85 DELLORTO | 1 |
| 29 | 15131123090 | MAIN JET 90 DELLORTO | x |
| 34 | 52031137001 | PVC-HOSE 3X5MM | x |
| 35 | 45131099000 | GASKET SET DELLORTO 19 | 1 |

05451311 / C064513101

* NEW PART

X AS REQUIRED

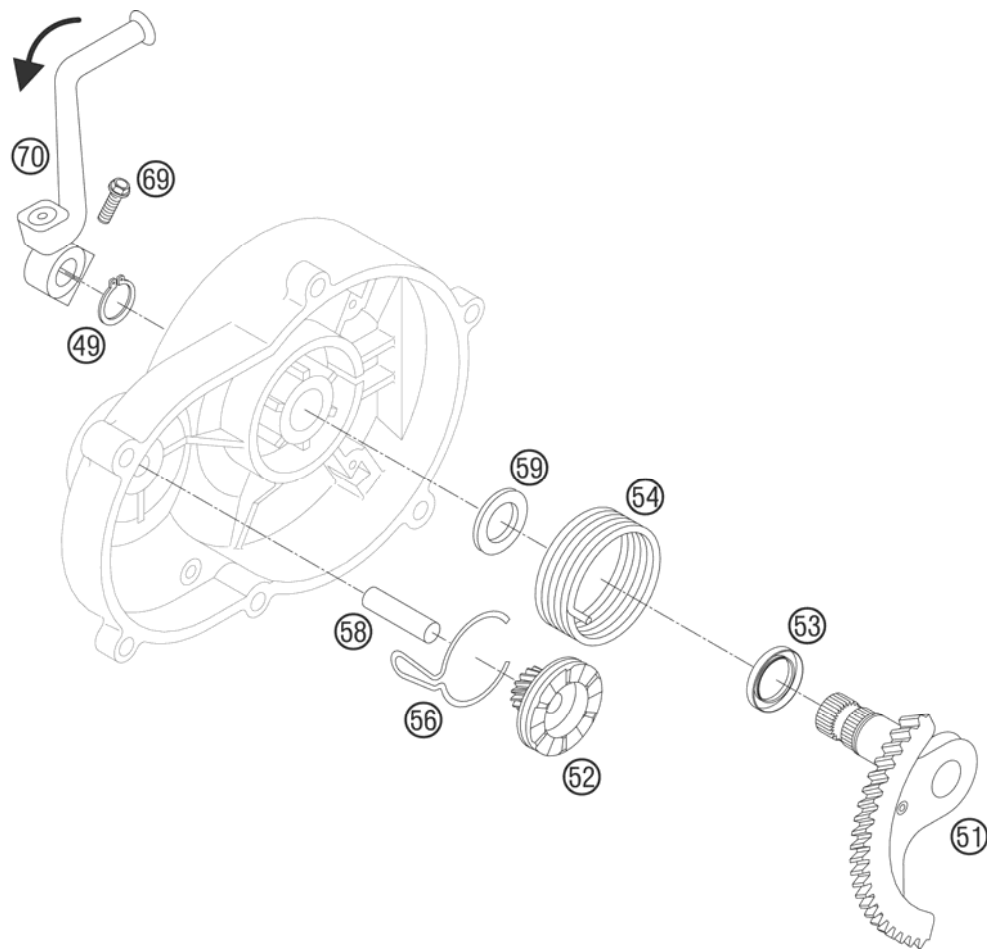


| FIG | PART NUMBER | DESCRIPTION | QTY |
|-----|-------------|-------------------------|-----|
| 2 | 45132002144 | CLUTCH CPL.50LC 02 | 1 |
| 3 | 45132002000 | CLUTCH HUB 50 LC 2002 | 1 |
| 4 | 45132004000 | SPACER 6X8X19 | 3 |
| 5 | 45132005000 | CLUTCH SPRING 2001 | 42 |
| 7 | 0933060253 | HH SCREW DIN0933-M 6X25 | 3 |
| 11 | 45132011200 | CLUTCH BLOCK 06 | 3 |
| 15 | 45132015000 | NEEDLE BEARING 15X18X17 | 1 |
| 19 | 45132020030 | SPACER WASHER 15X25X0,3 | x |
| 19 | 45132020040 | SPACER WASHER 15X25X0,4 | x |
| 19 | 47033040000 | STOP DISC 15X25X1 | x |
| 19 | 47033043000 | STOP DISC 15X25X0,5 | x |
| 20 | 45132020000 | WASHER 10,4X16,8X0,4 | 1 |
| 21 | 45132120000 | WASHER 8X15,3X0,5 | x |
| 21 | 45132120100 | WASHER 8X15,3X1 | x |
| 21* | 45132120200 | WASHER 8X15,3X0,25 | x |
| 23 | 45132023016 | CLUTCH DRUM 16-T | 1 |
| 29 | 45130029000 | SPECIAL NUT 10X1,25X8 | 1 |

02450320 / C064513200

* NEW PART

X AS REQUIRED

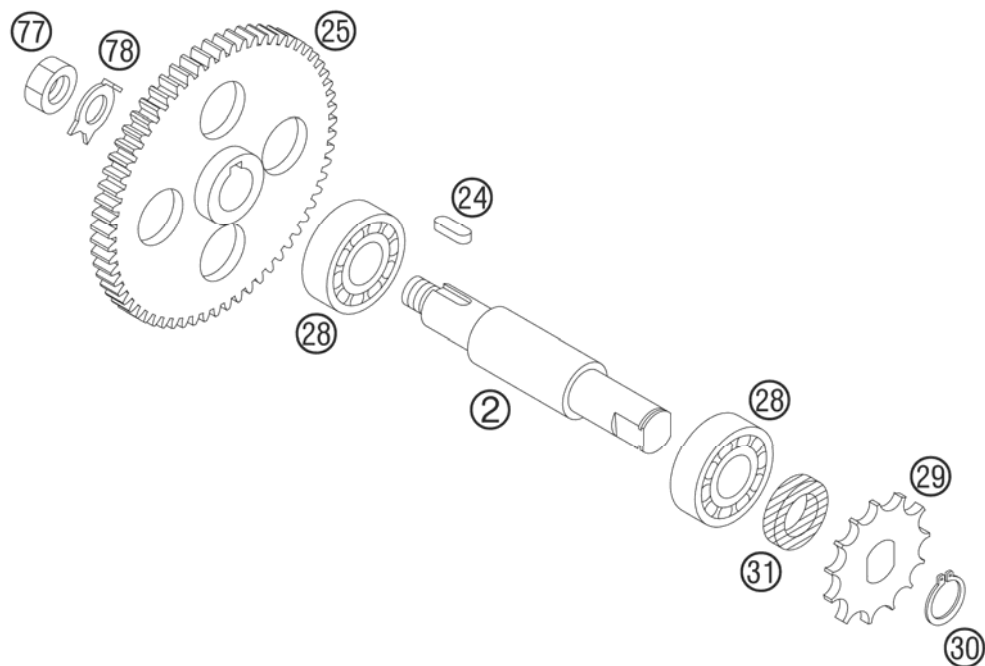


| FIG | PART NUMBER | DESCRIPTION | QTY |
|-----|-------------|--------------------------------|-----|
| 49 | 0471150010 | CIRCLIP DIN0471-15X1 | 1 |
| 51 | 45133050100 | KICKSTARTER SHAFT 50 2004 | 1 |
| 52 | 45133052000 | KICKSTARTER SLEEVE 2001 | 1 |
| 53 | 45135056000 | OIL SEAL RING 16X22X4 | 1 |
| 54 | 45133054000 | KICKSTARTER SPRING 2001 | 1 |
| 56 | 45133056000 | KICKSTARTER SLEEVE SPRING 2001 | 1 |
| 58 | 45133058000 | BEARING BOLT F. KICKST SLEE.01 | 1 |
| 59 | 47033041000 | STOP DISC 16X26X1 | 1 |
| 69 | 0015060203 | HH COLLAR SCREW M 6X20 WS=8 | 1 |
| 70 | 45133070000 | KICKSTARTER 50CCM LC 2001 | 1 |

04450330 / C064503300

* NEW PART

X AS REQUIRED



| FIG | PART NUMBER | DESCRIPTION | QTY |
|-----|-------------|-----------------------------|-----|
| 2 | 45133002000 | COUNTER SHAFT 50CCM LC 2001 | 1 |
| 24 | 45133024000 | WOODRUFF KEY 5X5X12 | 1 |
| 25 | 45132024057 | PRIMARY GEAR 57-T | 1 |
| 28 | 45133028000 | BALL BEARING 15X35X11 | 2 |
| 29 | 45133029009 | SPROCKET 9-T 50 LC 2001 | x |
| 29 | 45133029010 | SPROCKET 10-T 50 LC 2001 | 1 |
| 29 | 45133029011 | SPROCKET 11-T 50 LC 2001 | x |
| 29 | 45133029012 | SPROCKET 12-T 50 LC 2001 | x |
| 29 | 45133029013 | SPROCKET 13-T 50 LC 2001 | x |
| 30 | 0471150010 | CIRCLIP DIN0471-15X1 | 1 |
| 31 | 45133031000 | OIL SEAL RING 15X24X5 | 1 |
| 77 | 46030029000 | HH NUT 14X1,25X7 WS=22 | 1 |
| 78 | 46030078000 | LOCKING PLATE D=14MM | 1 |

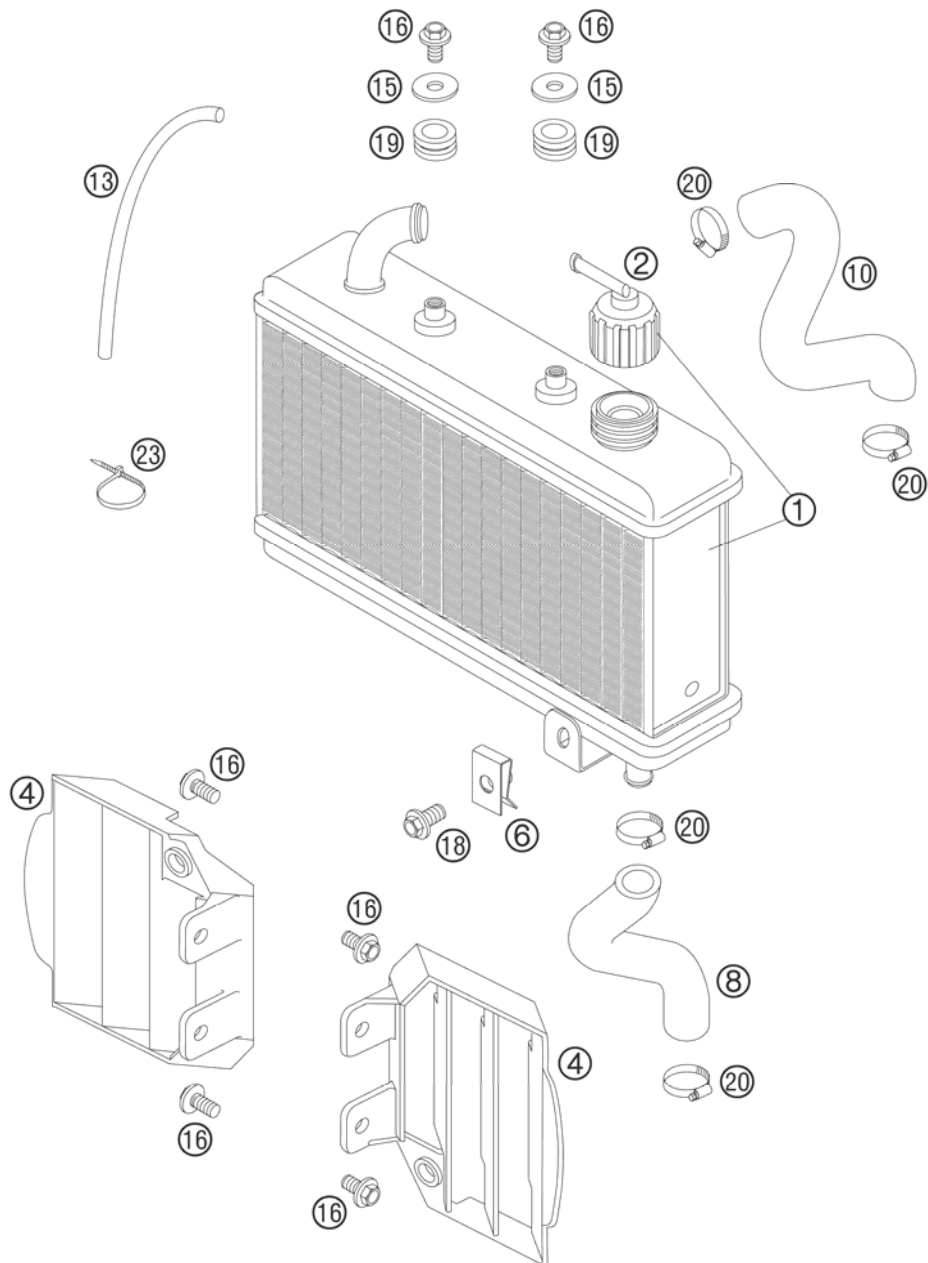
02450331 / C064513300

* NEW PART

X AS REQUIRED

COOLING SYSTEM

50 SX 2007

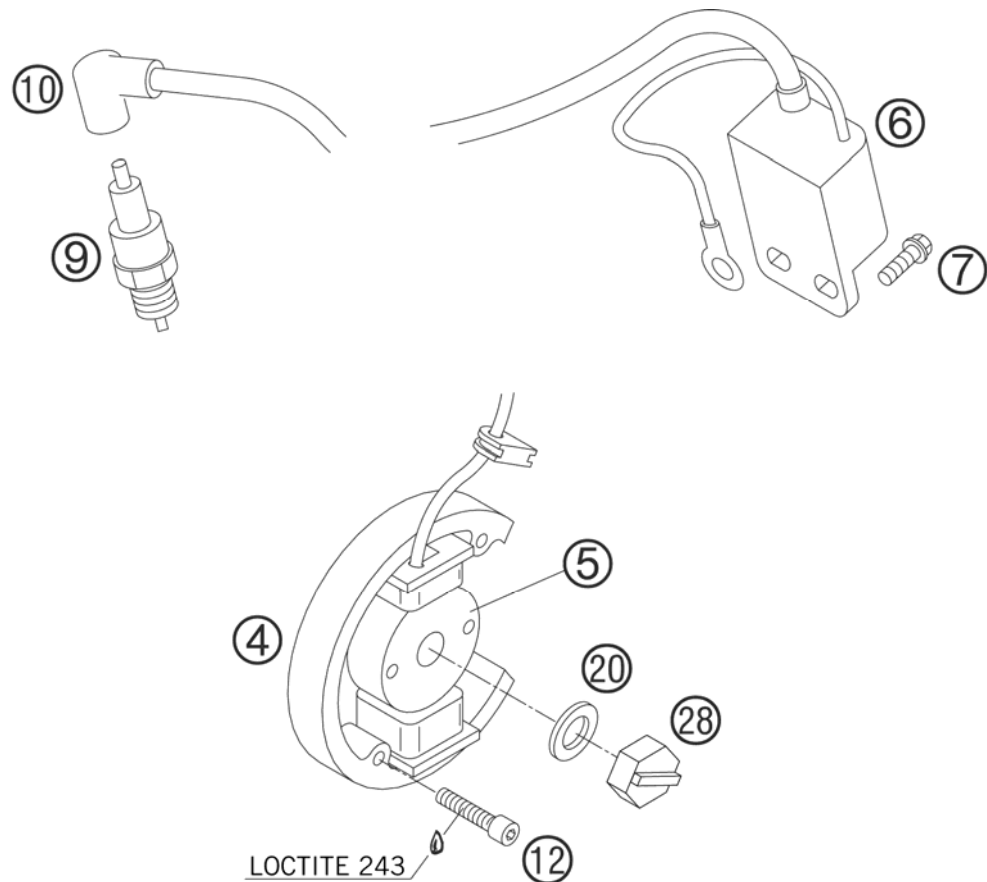


| FIG | PART NUMBER | DESCRIPTION | QTY |
|-----|---------------|--------------------------------|-----|
| 1 | 45135007000 | RADIATOR MINI SX JUN/SEN 2001 | 1 |
| 2 | 45135009000 | RADIATOR CAP 50 LC 2001 | 1 |
| 4* | 4513500700130 | RADIATOR PROT. SX black 2007 | 2 |
| 6 | 54603048100 | RANGE CHANGE METAL NUT M6 | 1 |
| 8 | 45135025000 | RADIATOR HOSE SX JUN."LC" 2001 | 1 |
| 10 | 45135026000 | RADIATOR HOSE SX JUN."LC" 2001 | 1 |
| 13 | 55007016001 | PVC-HOSE 7X10 PER METER | x |
| 15 | 0021060003 | WASHER DIN9021-A 6,4 | 2 |
| 16 | 0014060103 | HH COLLAR SCREW M 6X10 WS=8 | 6 |
| 18 | 59001092050 | SPECIAL SCREW M6X12,5 WS=8 | 1 |
| 19 | 58414019000 | RUBBER GROMMET 11 X 19 X 9 '96 | 2 |
| 20 | 42013037200 | HOSE CLAMP GEMI 12/22 | 4 |
| 23 | 44011076200 | CABLE TIE 200/3,6MM BLACK | x |
| 23 | 44011076305 | CABLE TIE 300/4,8MM BLACK | x |

05451350 / C074513500

* NEW PART

X AS REQUIRED



| FIG | PART NUMBER | DESCRIPTION | QTY |
|-----|-------------|--------------------------------|-----|
| 4 | 45139004000 | FLYWHEEL STATOR 50CCM LC 2001 | 1 |
| 5 | 45139005100 | FLYWEEL ROTOR 50 2004 | 1 |
| 6 | 45139006000 | IGNITION COIL 50CCM LC 2001 | 1 |
| 7 | 0015060123 | HH COLLAR SCREW M 6X12 WS=8 | 2 |
| 9 | 54331093410 | SPARK PLUG NGK BR8ECM | 1 |
| 10 | 47039090000 | SPARK PLUG CAP NGK REINFORC.04 | 1 |
| 12 | 0912050253 | AH SCREW DIN0912-M 5X25 | 2 |
| 20 | 45132020000 | WASHER 10,4X16,8X0,4 | 1 |
| 28 | 45130028100 | SPECIAL NUT | 1 |

05451390 / C064513900

* NEW PART

X AS REQUIRED



KTM-Sportmotorcycle AG
A-5230 Mattighofen
www.ktm.at

KTM Group Partner



3CM080256EN



Art.Nr.: 3CM080256EN 4/2006