

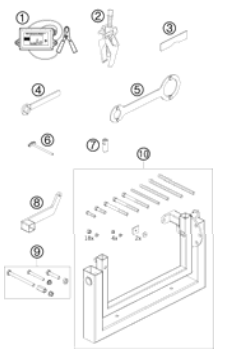
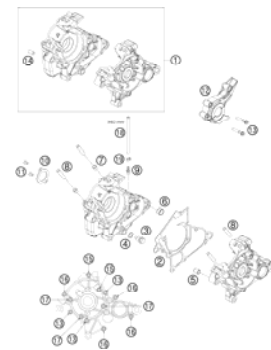
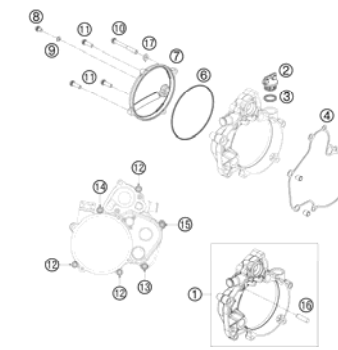

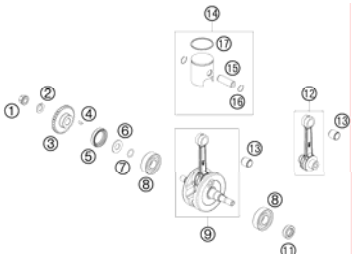
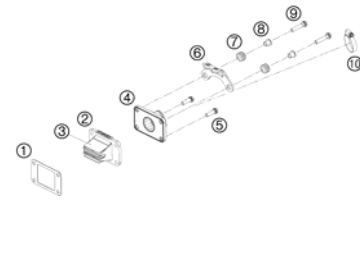
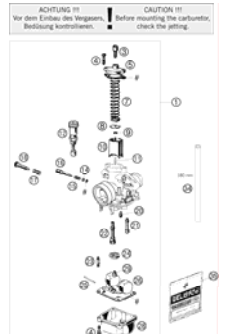

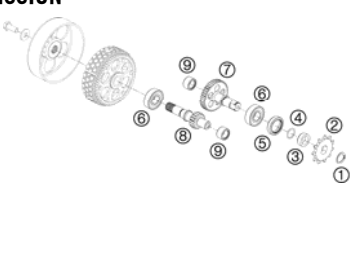
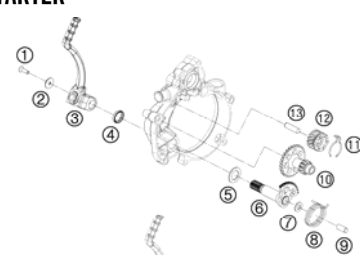

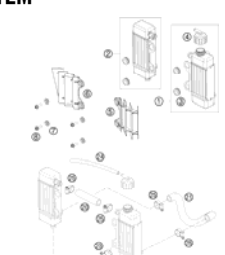
50 SX 2009


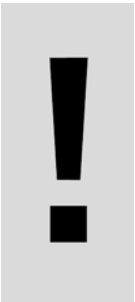
SPARE PARTS MANUAL: ENGINE

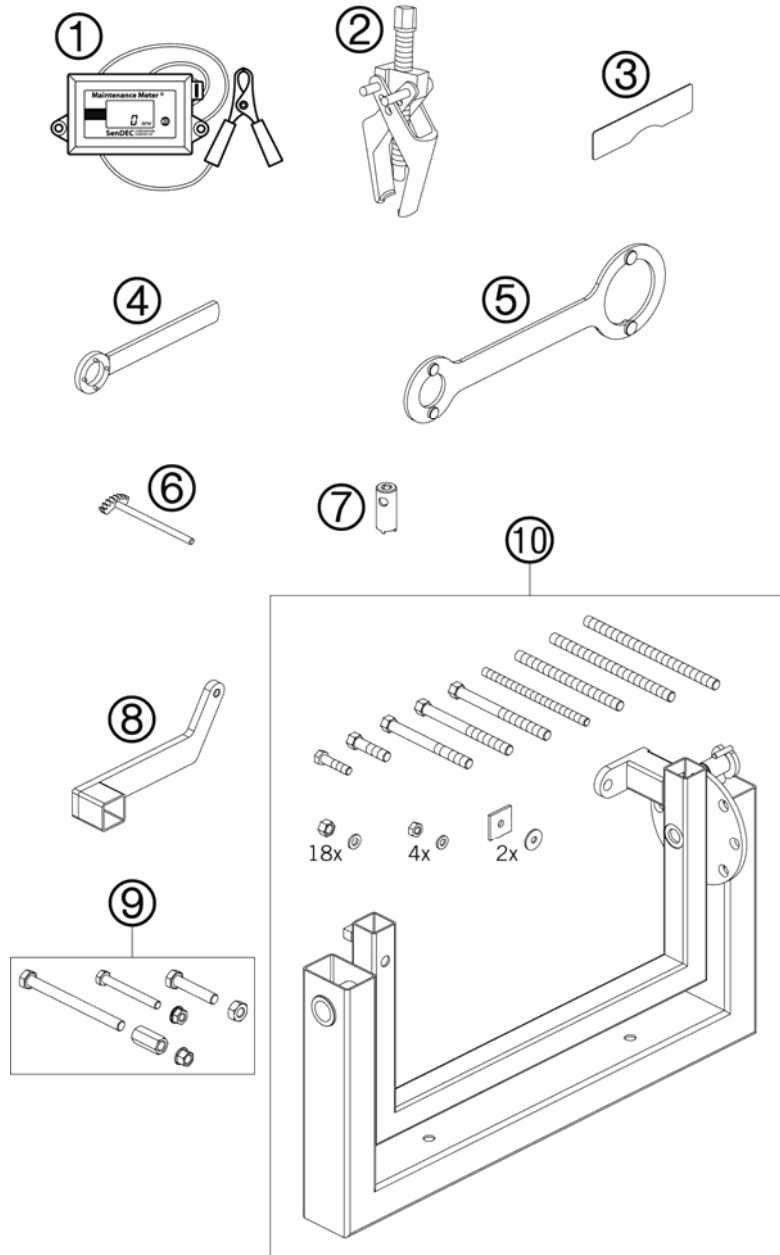
ART.NO.: 3CM080256IEN

ENGLISH

The KTM logo is displayed in a bold, italicized, black font. The letters 'K', 'T', and 'M' are connected, with the 'T' having a horizontal bar that extends to the left and right, creating a distinctive, aggressive look.

| | | | |
|--|--|---|---|
| SPECIAL TOOLS  3 | ENGINE CASE  4 | CLUTCH COVER  5 | CYLINDER, CYLINDER HEAD  6 |
| CRANKSHAFT, PISTON  7 | REED VALVE CASE  8 | CARBURETOR  9 | CLUTCH  10 |
| TRANSMISSION  11 | KICK STARTER  12 | WATER PUMP  13 | COOLING SYSTEM  14 |

| | | | |
|---|--|--|--|
| <p>IGNITION SYSTEM</p>  <p>15</p> | | | |
| | | | |
| |  <p>All information contained is without obligation. KTM-Sportmotorcycle AG particularly reserves the right to modify any equipment, technical specifications, prices, colors, shapes, materials, services, service work, constructions, equipment and the like so as to adapt them to local conditions or to cancel any of the above items, all without previous announcement and without giving reasons. KTM may stop manufacturing certain models without previous notice. KTM shall not be held liable for any deviations of availability and/or ability to deliver, illustrations, descriptions, printing and/or other errors. The illustrated models partly contain extra equipment, which is not applied to standard models. © by KTM-SPORTMOTORCYCLE AG, Mattighofen AUSTRIA; All rights reserved; Reprint, also in extracts, with written allowance of KTM-SPORTMOTORCYCLE AG, Mattighofen only.</p> | | |

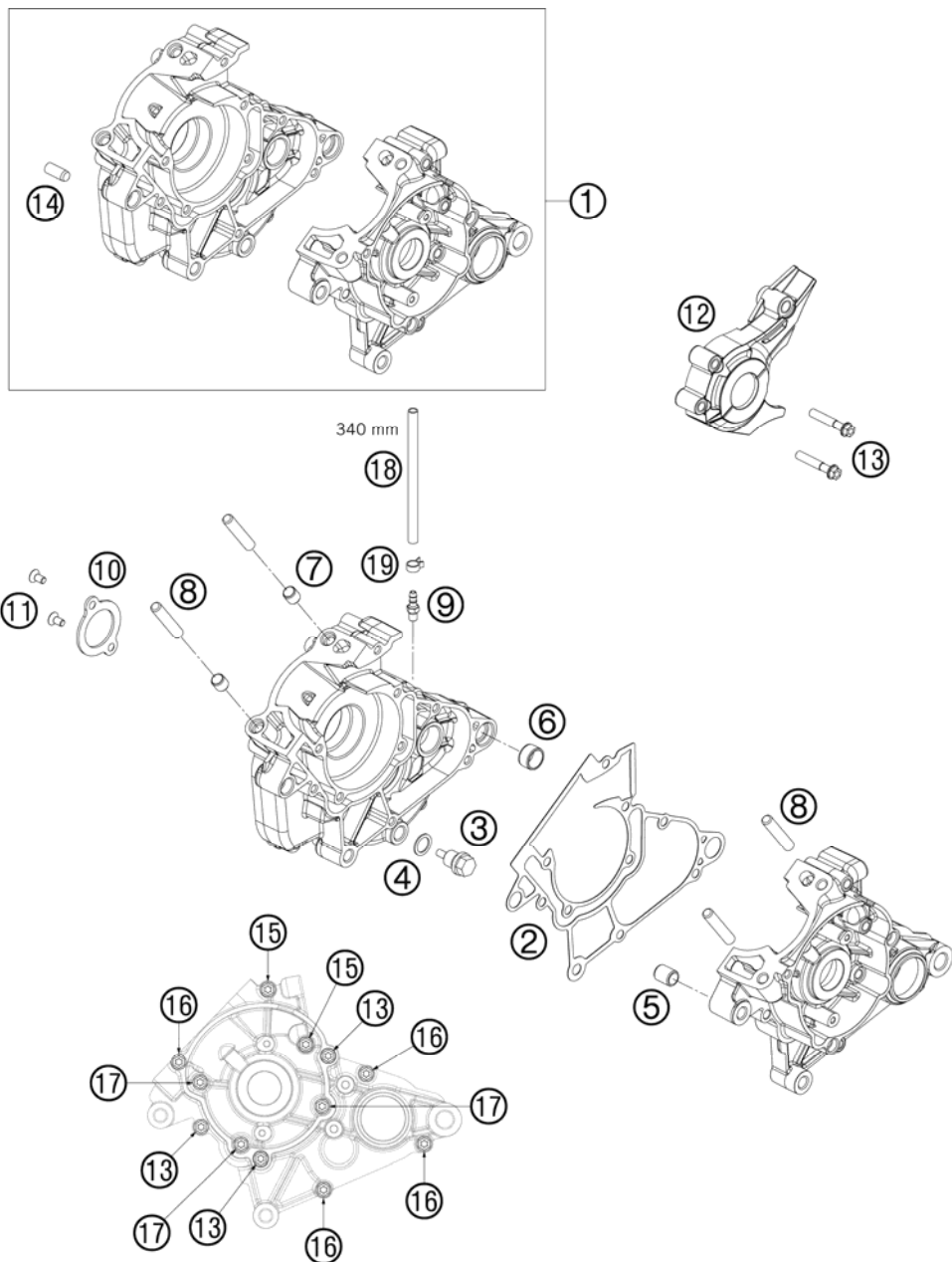


| FIG | PART NUMBER | DESCRIPTION | QTY |
|-----|-------------|--------------------------------|-----|
| 1 | 45129075000 | REVMETER | 1 |
| 2 | 46129021000 | EXTRACTOR PRIM. GEAR 65 SX 03 | 1 |
| 3 | 45129006000 | ADJUSTING PLATE 50SX MINI 2001 | 1 |
| 4 | 45229012000 | WRENCH FOR ROTOR | 1 |
| 5 | 54629012100 | HOLD. SPANNER ROTOR 2K-1/2/3/4 | 1 |
| 6 | 45229081000 | GEAR SEGMENT CPL. | 1 |
| 7 | 45229021000 | SPECIAL SOCKET CLUTCH | 1 |
| 8 | 45229001070 | RETAIN. ARM F. ENG.WORK STAND | 1 |
| 9 | 45229001060 | PICKUP ENGINE STAND CPL. | 1 |
| 10 | 56012001000 | ASSY SUPPORT (WITHOUT HOLDER) | 1 |

094522910 / C094522910

* NEW PART

X AS REQUIRED



| FIG | PART NUMBER | DESCRIPTION | QTY |
|-----|-------------|--------------------------------|-----|
| 1 | 45230000033 | ENGINE CASE CPL. + BEAR. 50 SX | 1 |
| 2 | 45230039000 | ENGINE CASE GASKET | 1 |
| 3 | 58030021000 | OILDRAIN PLUG W.MAG. M 12X1,5 | 1 |
| 4 | 58038022000 | CU-SEAL RING DIN7603-12X18X1,5 | 1 |
| 5 | 46230024000 | DOWEL 12X9X14,5 | 1 |
| 6 | 58330023000 | DOWEL 17 X 14 X 9,5 | 1 |
| 7 | 46230023000 | DOWEL 10X8,2X10 | 2 |
| 8 | 46030043000 | STUD M8X41 | 4 |
| 9 | 58336020190 | VACUUM CONECTION M6/3MM '97 | 1 |
| 10 | 45230017000 | BEARING BRACKET | 1 |
| 11 | 0019050103 | INT. TORX FLAT HEAD M 5X10 8.8 | 2 |
| 12 | 45230060000 | CHAIN GUARD | 1 |
| 13 | 0025060356 | HH COLLAR SCREW M6X35 TX30 | 5 |
| 14 | 0325080200 | CYLINDER STUD DIN6325 8X20 M6 | 1 |
| 15 | 0025060556 | HH COLLAR SCREW M6X55 TX30 | 2 |
| 16 | 0025060306 | HH COLLAR SCREW M6X30 TX30 | 4 |
| 17 | 0025060406 | HH COLLAR SCREW M6X40 TX30 | 3 |
| 18 | 31007007101 | PVC-HOSE 4X6MM | x |
| 19 | 45230089000 | YDNAC-CLAMP 10068 (6,8MM) | 1 |

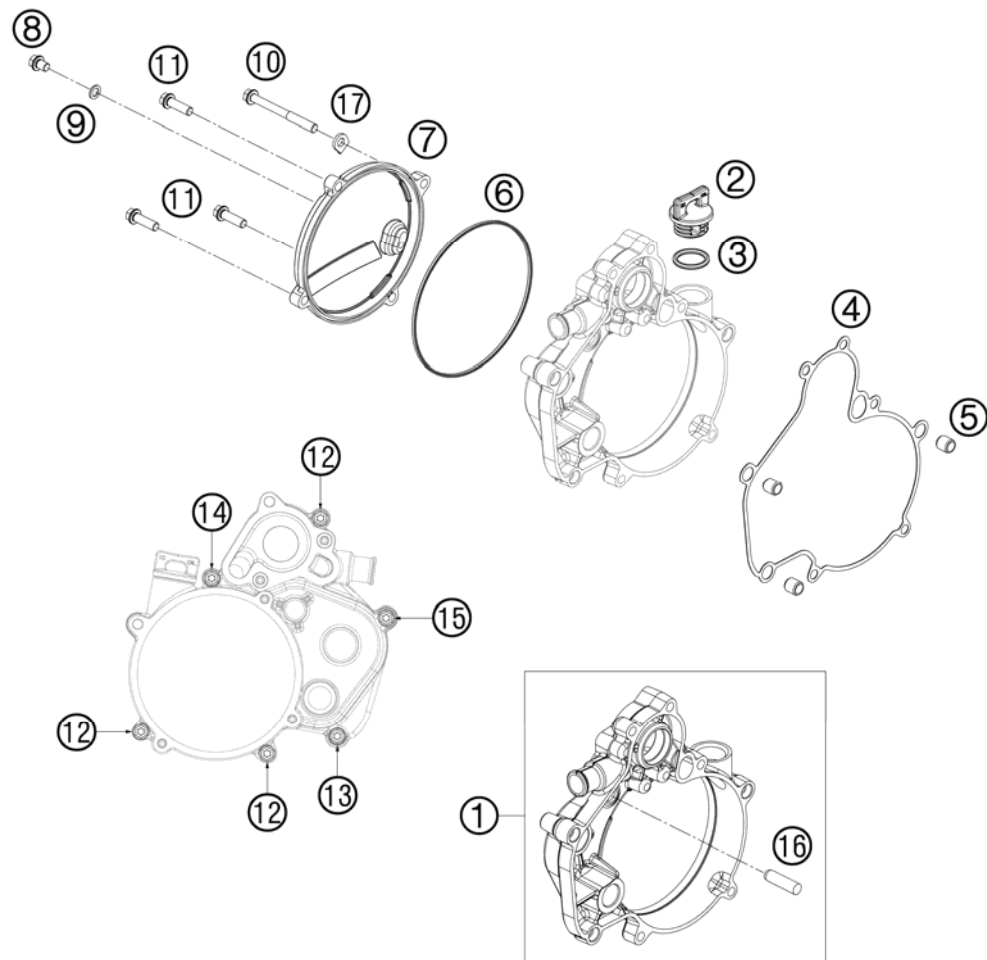
094523010 / C094523010

* NEW PART

X AS REQUIRED

CLUTCH COVER

50 SX 2009



| FIG | PART NUMBER | DESCRIPTION | QTY |
|-----|-------------|-------------------------------|-----|
| 1 | 45230001044 | CLUTCH COVER INNER CPL. | 1 |
| 2 | 58030020100 | PLUG CPL. M24X3 | 1 |
| 3 | 0770191015 | O-RING 19,00X3,00 NBR | 1 |
| 4 | 45230025000 | CLUTCH COVER GASKET INSIDE | 1 |
| 5 | 49030090000 | DOWEL 9,8 X 7 X 10 | 3 |
| 6 | 45230027000 | CLUTCH COVER GASKET | 1 |
| 7 | 45230026000 | CLUTCH COVER OUTSIDE | 1 |
| 8 | 0025060086 | HH COLLAR SCREW M6X8 TX30 | 1 |
| 9 | 0603061001 | CU-SEAL RING DIN7603-6X10X1 | 1 |
| 10 | 0025060606 | HH COLLAR SCREW M6X60 TX30 | 1 |
| 11 | 0025060206 | HH COLLAR SCREW M6X20 TX30 | 3 |
| 12 | 0025060256 | HH COLLAR SCREW M6X25 TX30 | 3 |
| 13 | 0025060306 | HH COLLAR SCREW M6X30 TX30 | 1 |
| 14 | 0025060356 | HH COLLAR SCREW M6X35 TX30 | 1 |
| 15 | 0025060506 | HH COLLAR SCREW M6X50 TX30 | 1 |
| 16 | 0325080300 | CYLINDER STUD DIN6325 8X30 M6 | 1 |
| 17 | 51005074000 | RETAINING PLATE | 1 |

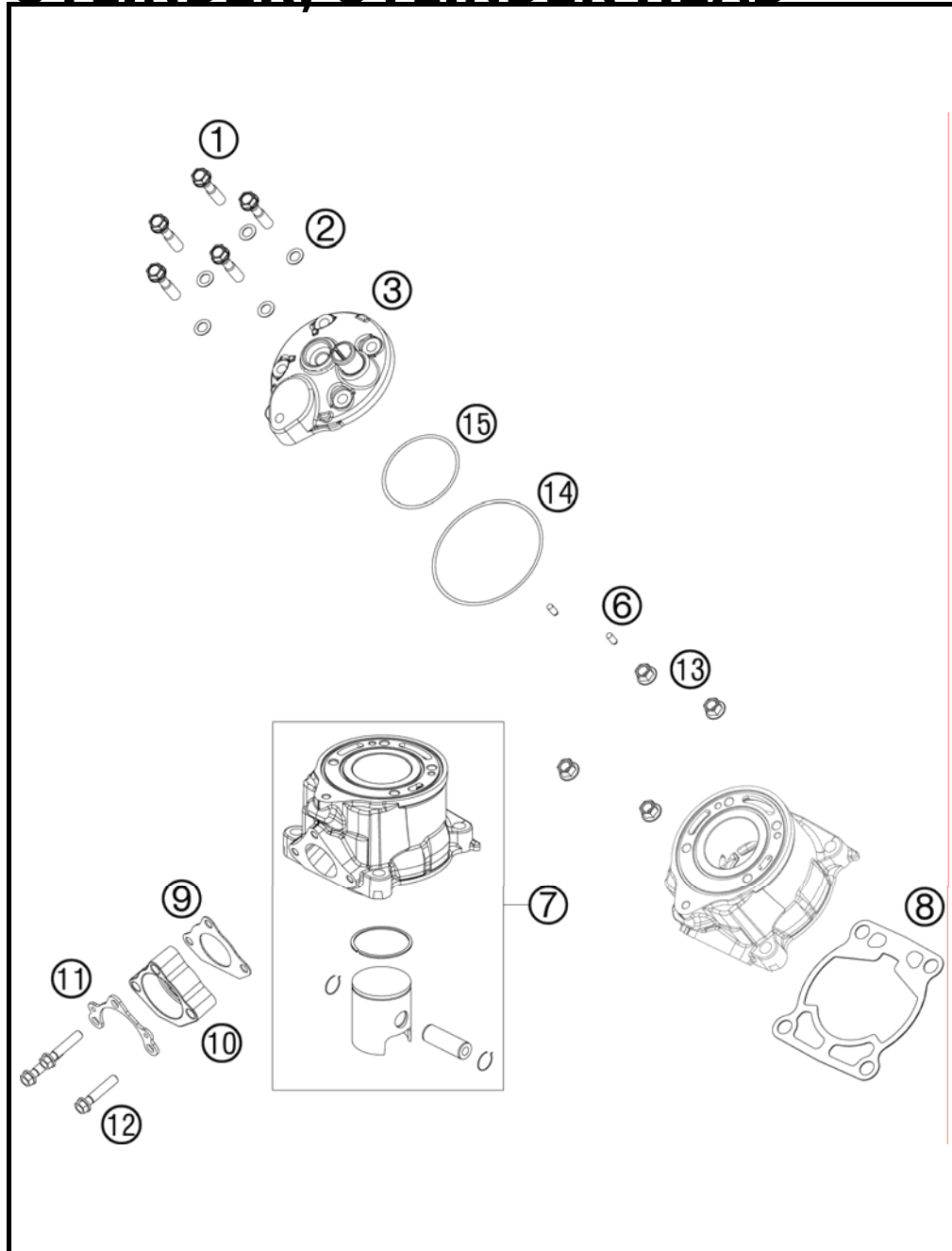
094523020 / C094523020

* NEW PART

X AS REQUIRED

CYLINDER, CYLINDER HEAD

50 SX 2009



| FIG | PART NUMBER | DESCRIPTION | QTY |
|-----|-------------|------------------------------|-----|
| 1 | 50330079000 | CYL. HEAD BOLT M 7X30 WS=10 | 5 |
| 2 | 50230032010 | CU-SEAL RING 7,3 X 12 X 0,5 | 5 |
| 3 | 45230006000 | CYLINDER HEAD | 1 |
| 6 | 0325040100 | CYLINDER PIN DIN6325- 4X10 | 2 |
| 7 | 45230038000 | CYLINDER + PISTON | 1 |
| 8 | 46230035020 | CYLINDER BASE GASKET 0,2 MM | x |
| 8 | 46230035040 | CYLINDER BASE GASKET 0,4 MM | x |
| 8 | 46230035050 | CYLINDER BASE GASKET 0,5 MM | x |
| 8 | 46230035060 | CYLINDER BASE GASKET 0,6MM | x |
| 9 | 45205004000 | EXHAUST FLANGE GASKET | 1 |
| 10 | 45205003000 | EXHAUST FLANGE | 1 |
| 11 | 46205003050 | BRACKET FOR SPRINGHOLDER | 1 |
| 12 | 0025060306 | HH COLLAR SCREW M6X30 TX30 | 3 |
| 13 | 46030045000 | COLLAR NUT M8 WS=10 | 4 |
| 14 | 0770078020 | O-RING 78,00X2,00 VIT. BLACK | 1 |
| 15 | 0770052020 | O-RING 52,00X2,0 VITON 75 | 1 |

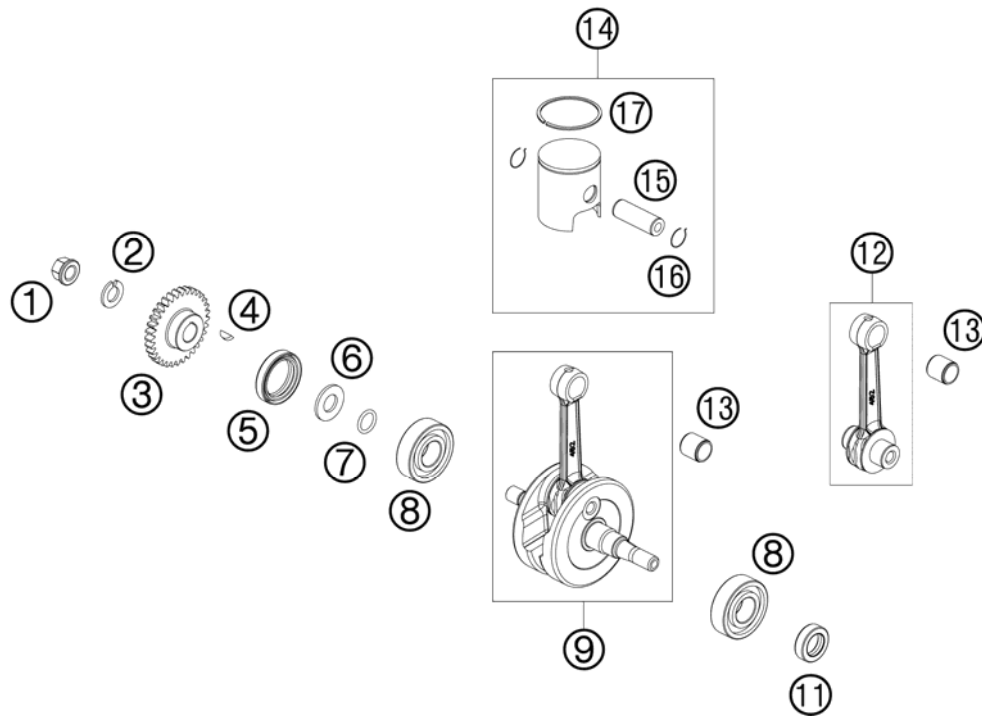
094523050 / C094523050

* NEW PART

X AS REQUIRED

CRANKSHAFT, PISTON

50 SX 2009



| FIG | PART NUMBER | DESCRIPTION | QTY |
|-----|----------------|--------------------------------|-----|
| 1 | 58414030000 | HH COLLAR NUT M10X1,25 WS=13 | 1 |
| 2 | 45230072000 | LOCKING RING VSK 10 | 1 |
| 3 | 45232023033 | PRIMARY DRIVE 33T | 1 |
| 4 | 0888030037 | WOODRUFF KEY DIN6888-3X3,7 | 1 |
| 5 | 0760253570 | SHAFT SEAL RING 25X35X7 BTSL | 1 |
| 6 | 45230016000 | SPACER WASHER - CRANKSHAFT | 1 |
| 7 | 0770120020 | O-RING 12,00X2,00 NBR 70 | 1 |
| 8 | 0625062035 | BALL BEARING 6203 JR2 C3 | 2 |
| 9 | 45230018100 | CRANKSHAFT GS CPL. | 1 |
| 11 | 0760152472 | SHAFT SEAL RING 15X24X7 A-DUO | 1 |
| 12 | 45230015000 | PISTON ROD REP-SET 09 | 1 |
| 13 | 45130034000 | NEEDLE BEAR.PISTONPIN 12X15X15 | 1 |
| 14 | 45230007000 I | PISTON CPL. I 2009 | 1 |
| 14 | 45230007000 II | PISTON CPL. II 2009 | 1 |
| 15 | 45230033000 | PISTON BOLT 09 | 1 |
| 16 | 45230074000 | CIRCLIP 09 | 2 |
| 17 | 45230030000 | PISTONRING 09 | 1 |

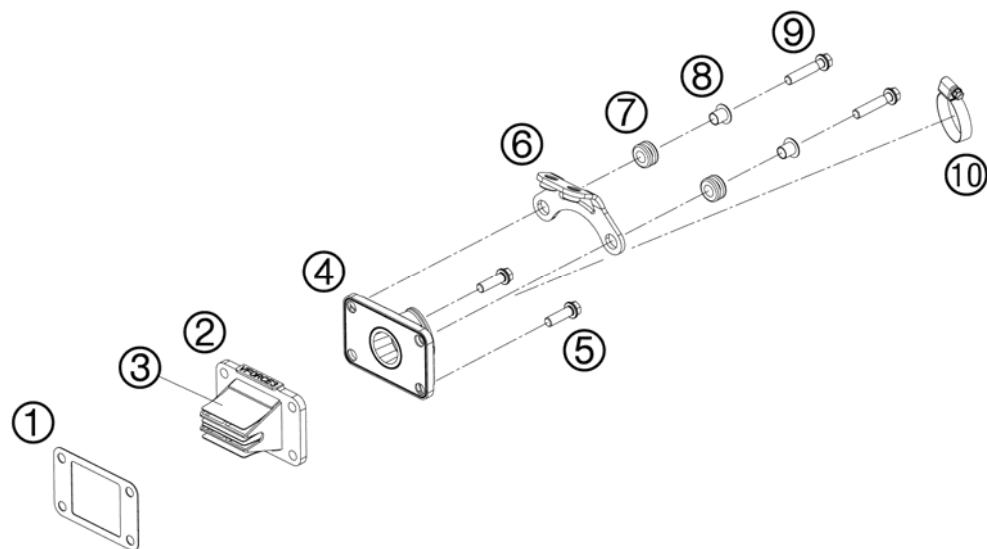
094523060 / C094523060

* NEW PART

X AS REQUIRED

REED VALVE CASE

50 SX 2009



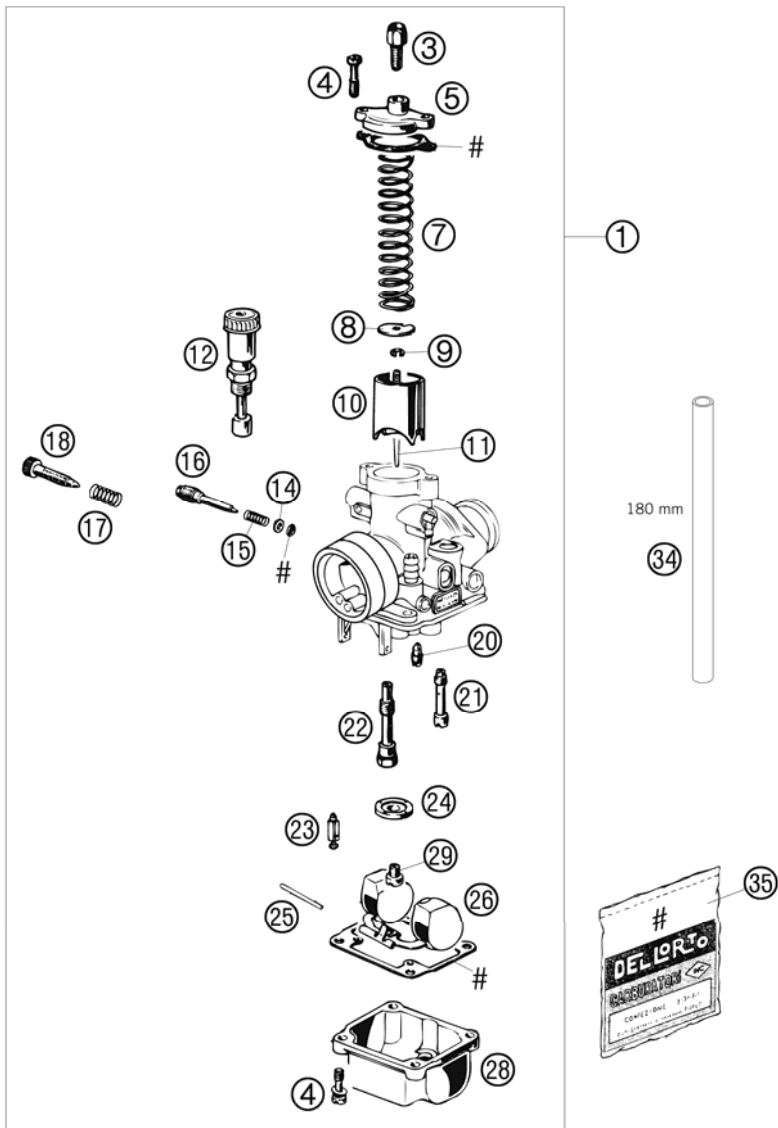
| FIG | PART NUMBER | DESCRIPTION | QTY |
|-----|-------------|--------------------------------|-----|
| 1 | 46230049000 | GASKET MEMBRAN CASE | 1 |
| 2 | 45230051044 | MEMBRANE CASE CPL. V-VORCE | 1 |
| 3 | 45230052000 | MEMBRANE | 4 |
| 4 | 45230050000 | INTAKE FLANGE | 1 |
| 5 | 0025060126 | HH COLLAR SCREW M6X12 TX30 | 2 |
| 6 | 45239010000 | IGNIT. COIL RETAIN. PLATE CPL. | 1 |
| 7 | 31008060000 | RUBBER SLEEVE D=8MM OPEN | 2 |
| 8 | 58314060050 | SPACER BUSH. F. SPEEDOMET.BRA. | 2 |
| 9 | 0025060306 | HH COLLAR SCREW M6X30 TX30 | 2 |
| 10 | 10001120000 | CLAMP 25-40 SGT 4 | 1 |

094523070 / C094523070

* NEW PART

X AS REQUIRED

ACHTUNG !!! Vor dem Einbau des Vergasers, Bedüsung kontrollieren. **CAUTION !!!** Before mounting the carburetor, check the jetting.

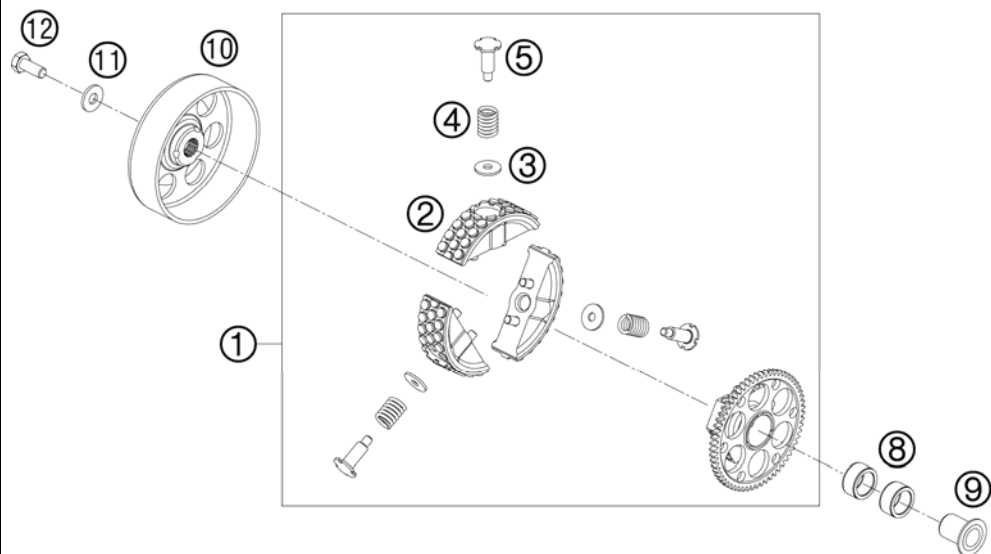


| FIG | PART NUMBER | DESCRIPTION | QTY |
|-----|-------------|---|-----|
| 1 | 45131001100 | CARBUR. DELLO. PHBG 19 BS 2001 CHECK THE JETTING | 1 |
| 3 | 57031525000 | ADJUSTMENT SCREW M6X0,75 | 1 |
| 4 | 0016040163 | HH COLLAR SCREW M 4X16 WS=6 | 6 |
| 5 | 45131027000 | CARBURETOR COVER DELLORTO 19 | 1 |
| 7 | 45131030000 | SPRING DELLORTO | 1 |
| 8 | 45131109000 | RETAINING SPRING DELLORTO | 1 |
| 9 | 0799025055 | TAB WASHER DIN6799-RS 2,5 | 1 |
| 10 | 45131035000 | THR. VALVE DELLO.19 60 2001 | x |
| 10 | 45131035040 | THR. VALVE DELLO.40 2008 | x |
| 11 | 45131034009 | JET NEEDLE W9 | 1 |
| 12 | 45131048000 | STARTING BUTTON DELLORTO 19 | 1 |
| 14 | 57031572000 | WASHER 3,3 X 5,8 X 0,5 | 1 |
| 15 | 45131015000 | SPRING DELLORTO | 1 |
| 16 | 45131017000 | AIR ADJUST SCREW DELLORTO | 1 |
| 17 | 45131016000 | SPRING FOR AIR ADJUST SCREW | 1 |
| 18 | 45131019000 | IDLE ADJUST SCREW | 1 |
| 20 | 45131007045 | IDLING JET 45 DELLORTO | x |
| 20 | 45131007048 | IDLING JET 48 DELLORTO | x |
| 20 | 45131007050 | IDLING JET 50 DELLORTO | x |
| 20 | 45131007052 | IDLING JET 52 DELLORTO | x |
| 20 | 45131007055 | IDLING JET 55 DELLORTO | x |
| 21 | 45131051060 | START JET 60 DELLORTO | 1 |
| 22 | 45131021260 | NEEDLE JET 260 | x |
| 22 | 45131021262 | NEEDLE JET 262 | x |
| 23 | 45131020000 | FLOATING NEEDLE VALVE DELLORTO | 1 |
| 24 | 45131074000 | COVER DELLORTO | 1 |
| 25 | 45131008000 | PIN DELLORTO | 1 |
| 26 | 45131009000 | FLOAT 4 GR. | 1 |
| 28 | 45131011000 | FLOAT BOWL DELLORTO 19 | 1 |
| 29 | 15131123080 | MAIN JET 80 DELLORTO | x |
| 29 | 15131123085 | MAIN JET 85 DELLORTO | x |
| 29 | 15131123090 | MAIN JET 90 DELLORTO | x |
| 34 | 58307016001 | FUEL HOSE VITON 6X1,5 PER/M | x |
| 35 | 45131099000 | GASKET SET DELLORTO 19 | 1 |

094523112 / C094523112

* NEW PART

X AS REQUIRED

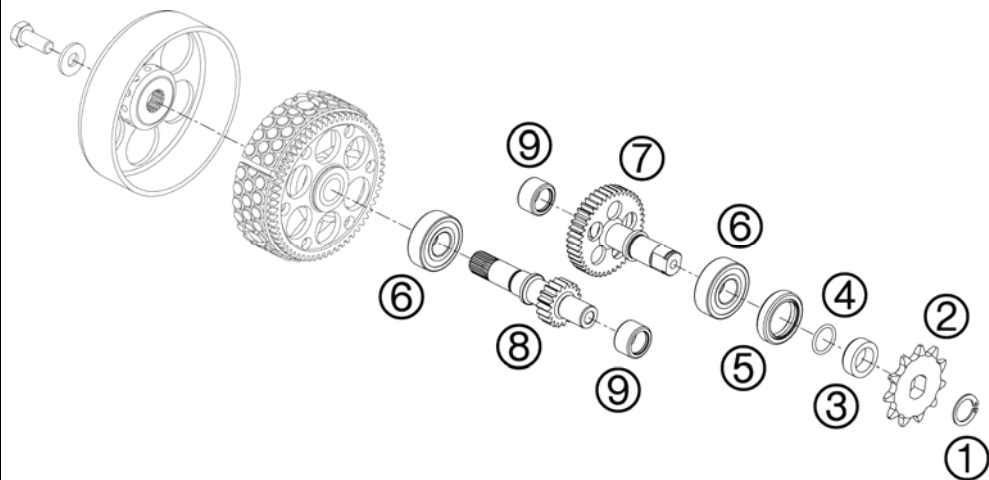


| FIG | PART NUMBER | DESCRIPTION | QTY |
|-----|-------------|--------------------------|-----|
| 1 | 45232000033 | CLUTCH CPL. 09 | 1 |
| 2 | 45232011000 | CLUTCH BLOCK | 3 |
| 3 | 45232007000 | DISTANCE SHIM 9,5X19X1,7 | x |
| 3 | 45232007020 | DISTANCE SHIM 9,5X19X0,2 | x |
| 3 | 45232007050 | DISTANCE SHIM 9,5X19X0,5 | x |
| 4 | 45232005000 | CLUTCH SPRING | 3 |
| 5 | 45232006000 | COLLAR SCREW M6X8 | 3 |
| 8 | 0402182412 | NEEDLE BEARING 18X24X12A | 2 |
| 9 | 45232013000 | INNER RING WITH COLLAR | 1 |
| 10 | 45232001000 | OUT. CLUTCH HUB LOOSE | 1 |
| 11 | 45232008000 | WASHER 8,5X31X4 | 1 |
| 12 | 0933080203 | HH SCREW DIN0933-M 8X20 | 1 |

094523210 / C094523210

* NEW PART

X AS REQUIRED

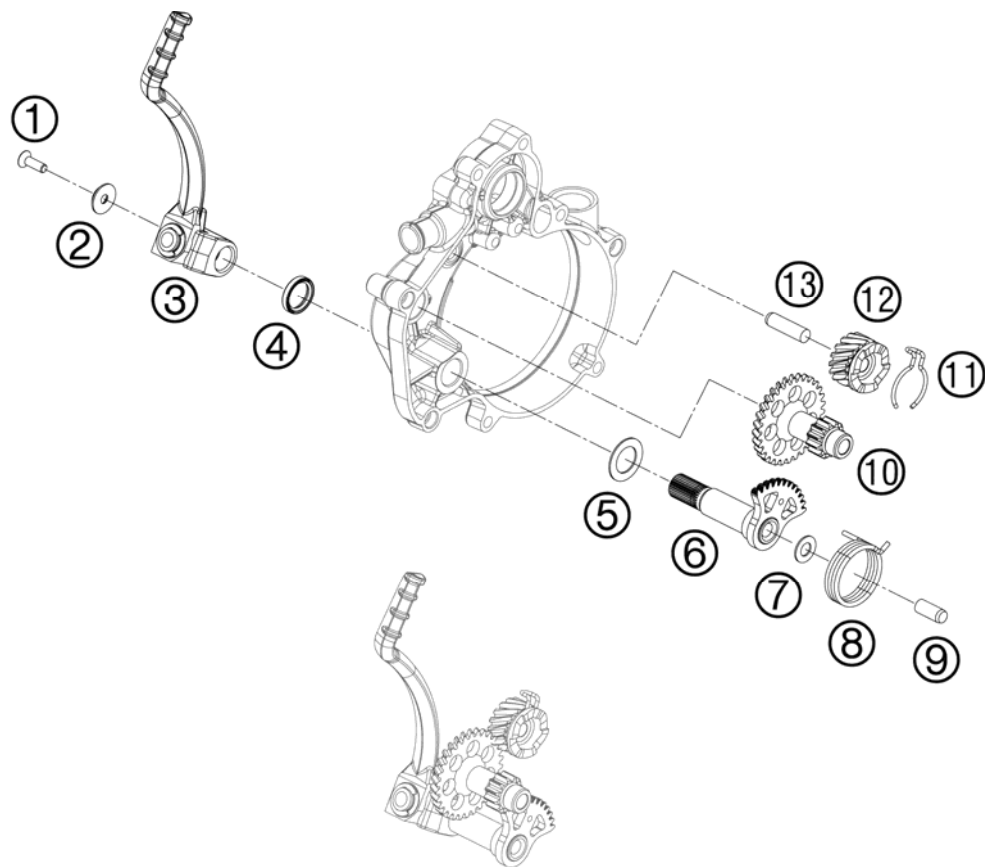


| FIG | PART NUMBER | DESCRIPTION | QTY |
|-----|-------------|------------------------------|-----|
| 1 | 0471150010 | CIRCLIP DIN0471-15X1 | 1 |
| 2 | 45233029010 | SPROCKET 10 T. | x |
| 2 | 45233029011 | SPROCKET 11 T. | x |
| 3 | 45233030000 | DISANCESPACER F. SPROCKET | 1 |
| 4 | 0770015018 | O-RING 15,00X1,80 | 1 |
| 5 | 0760223270 | SHAFT SEAL RING 22X32X7 BSL | 1 |
| 6 | 45133028000 | BALL BEARING 15X35X11 | 2 |
| 7 | 45233010000 | COUNTER SHAFT | 1 |
| 8 | 45233001000 | MAIN SHAFT | 1 |
| 9 | 54632095000 | NEEDLE BEAR.HK 1412 14X20X12 | 2 |

094523310 / C094523310

* NEW PART

X AS REQUIRED

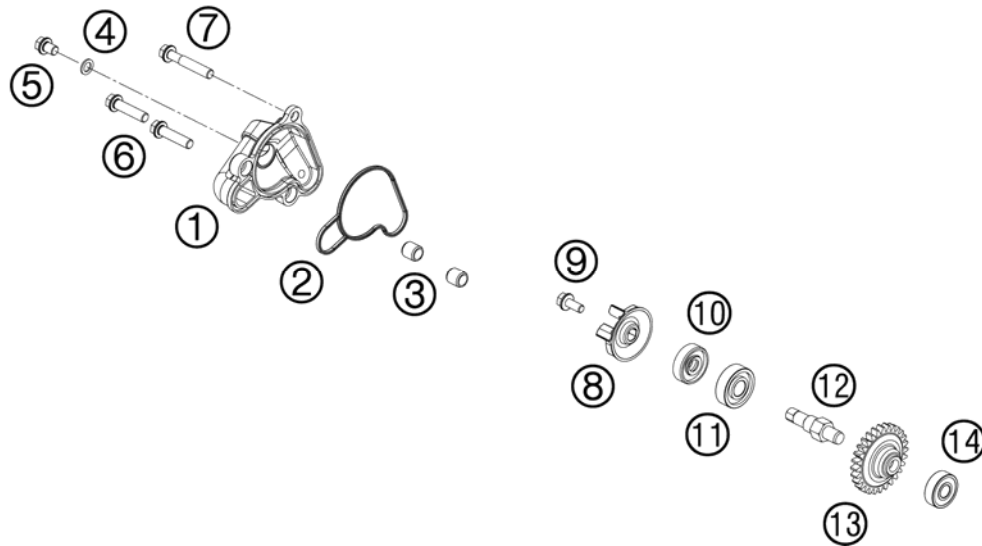


| FIG | PART NUMBER | DESCRIPTION | QTY |
|-----|-------------|--------------------------------|-----|
| 1 | 0991050162 | FLAT HEAD S. DIN7991 M5X16-8.8 | 1 |
| 2 | 60008045100 | SPECIAL WASHER FOR M5 03 | 1 |
| 3 | 45233070044 | KICKSTARTER CPL. | 1 |
| 4 | 0760162240 | SHAFT SEAL RING BALANC. SHAFT | 1 |
| 5 | 45233058000 | WASHER 16,3X25,8X1 | 1 |
| 6 | 45233050044 | KICK START SHAFT CPL. | 1 |
| 7 | 45233057000 | WASHER 8,2X16X1 | 1 |
| 8 | 45233054000 | KICKSTARTER SPRING | 1 |
| 9 | 0325080200 | CYLINDER STUD DIN6325 8X20 M6 | 1 |
| 10 | 45233053000 | KICKSTARTER SHAFT | 1 |
| 11 | 45233056000 | SPRING RATCHET GEAR | 1 |
| 12 | 45233052016 | RATCHET GEAR | 1 |
| 13 | 0325080300 | CYLINDER STUD DIN6325 8X30 M6 | 1 |

094523390 / C094523390

* NEW PART

X AS REQUIRED

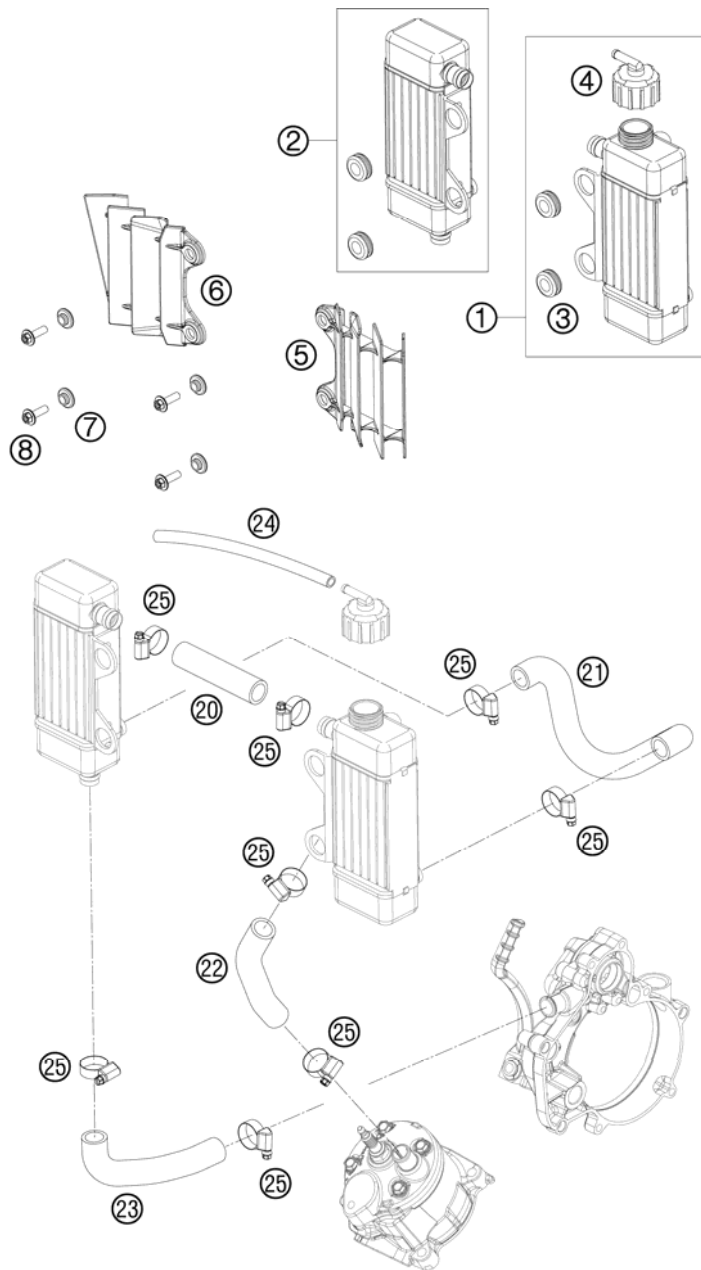


| FIG | PART NUMBER | DESCRIPTION | QTY |
|-----|-------------|-------------------------------|-----|
| 1 | 45235052000 | WATERPUMP COVER | 1 |
| 2 | 45235053000 | WATER PUMP COVER GASKET | 1 |
| 3 | 49030090000 | DOWEL 9,8 X 7 X 10 | 2 |
| 4 | 0603061001 | CU-SEAL RING DIN7603-6X10X1 | 1 |
| 5 | 0025060086 | HH COLLAR SCREW M6X8 TX30 | 1 |
| 6 | 0025060256 | HH COLLAR SCREW M6X25 TX30 | 2 |
| 7 | 0025060356 | HH COLLAR SCREW M6X35 TX30 | 1 |
| 8 | 54835005000 | WATER PUMP WHEEL 07 | 1 |
| 9 | 0025050126 | HH COLLAR SCREW M5X12 TX30 | 1 |
| 10 | 0760082472 | SHAFT SEAL RING 8X24X7 A DUO | 1 |
| 11 | 0625060001 | BALL BEARING 6000/C3 | 1 |
| 12 | 50335054050 | WATER PUMP SHAFT 125/200'98 | 1 |
| 13 | 45235054028 | DRIVE WHEEL | 1 |
| 14 | 0625006087 | GROOVED BALL BEAR. 608 2RS C3 | 1 |

094523510 / C094523510

* NEW PART

X AS REQUIRED

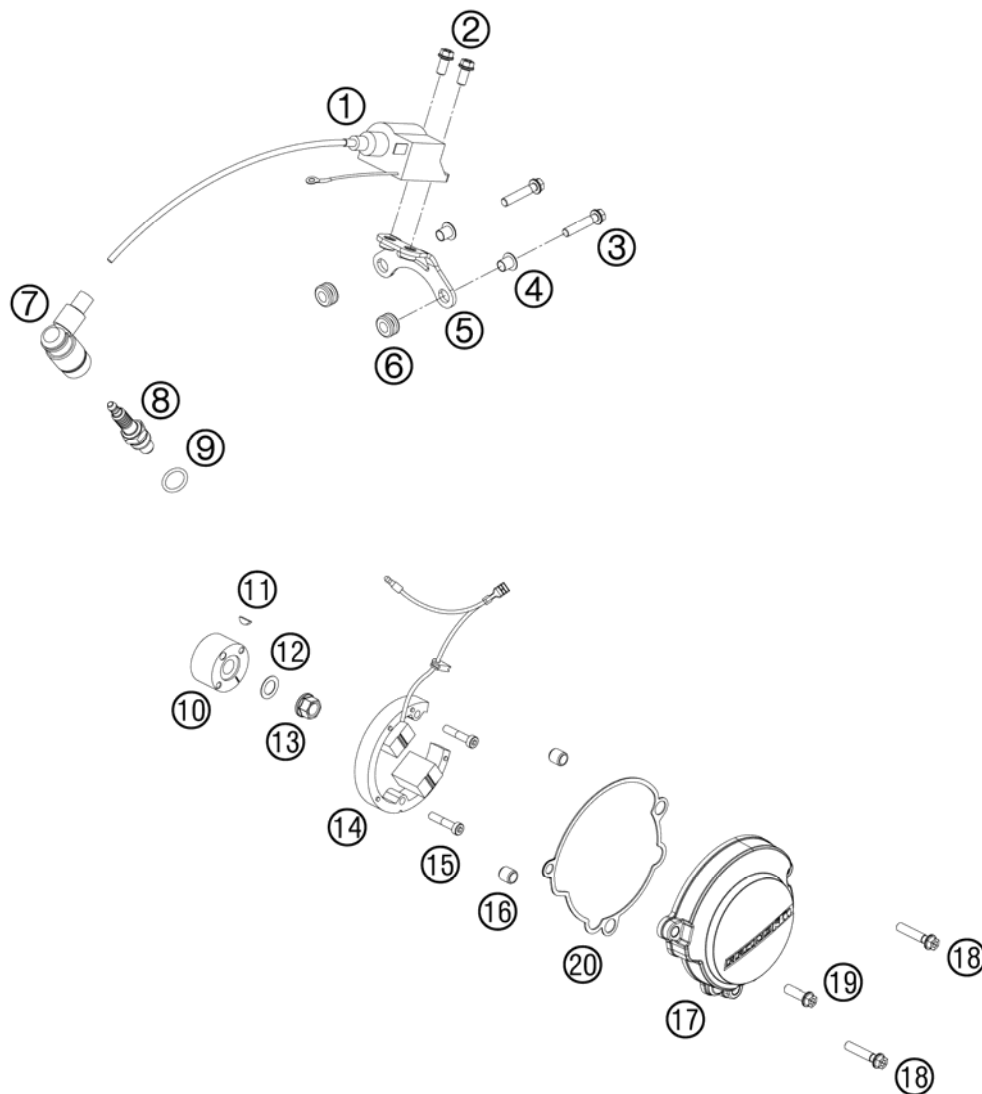


| FIG | PART NUMBER | DESCRIPTION | QTY |
|-----|-------------|-------------------------------|-----|
| 1 | 45235007000 | RADIATOR L/S 50 SX 2009 | 1 |
| 2 | 45235008000 | RADIATOR R/S 50 SX 2009 | 1 |
| 3 | 41001052000 | RUBBER SLEEVE D=12MM | 4 |
| 4 | 45235009000 | RADIATOR CAP 1,8 BAR | 1 |
| 5 | 45235034000 | RAD. PROTECT. L/S 50 SXS 2009 | 1 |
| 6 | 45235035000 | RAD. PROTECT. R/S 50 SX 2009 | 1 |
| 7 | 54808020000 | SPACER BUSHING 03 | 4 |
| 8 | 0023060203 | COLLAR SCREW M6X20 TX | 4 |
| 20 | 45235026000 | RADIATOR HOSE AHEAD 50 SX 09 | 1 |
| 21 | 45235027000 | RADIATOR HOSE BELOW 50 SX 09 | 1 |
| 22 | 45235025000 | PREFORMED HOSE 50SX RAD. L/S | 1 |
| 23 | 45235024000 | PREFORMED HOSE 50SX RAD. R/S | 1 |
| 24 | 60035067001 | HOSE 6X10 EPDM 03 | 1 |
| 25 | 42013037200 | HOSE CLAMP GEMI 12/22 | 8 |

094523531 / C094523531

* NEW PART

X AS REQUIRED



| FIG | PART NUMBER | DESCRIPTION | QTY |
|-----|-------------|--------------------------------|-----|
| 1 | 45139006000 | IGNITION COIL 50CCM LC 2001 | 1 |
| 2 | 0025060126 | HH COLLAR SCREW M6X12 TX30 | 2 |
| 3 | 0025060306 | HH COLLAR SCREW M6X30 TX30 | 2 |
| 4 | 58314060050 | SPACER BUSH. F. SPEEDOMET.BRA. | 2 |
| 5 | 45239010000 | IGNIT. COIL RETAIN. PLATE CPL. | 1 |
| 6 | 31008060000 | RUBBER SLEEVE D=8MM OPEN | 2 |
| 7 | 46239090000 | SPARK PLUG CONNECTOR | 1 |
| 8 | 45239093000 | SPARK PLUG LR8B | 1 |
| 9 | 0770012030 | O-RING 12,00X3,0 VITON 75 | 1 |
| 10 | 45139005100 | FLYWEEL ROTOR 50 2004 | 1 |
| 11 | 0888025030 | WOODRUFF KEY DIN6888-2,5X3 | 1 |
| 12 | 45132020000 | WASHER 10,4X16,8X0,4 | 1 |
| 13 | 58414030000 | HH COLLAR NUT M10X1,25 WS=13 | 1 |
| 14 | 45139004000 | FLYWHEEL STATOR 50CCM LC 2001 | 1 |
| 15 | 0012050253 | AH SCREW DIN6912 M5X25 | 2 |
| 16 | 49030090000 | DOWEL 9,8 X 7 X 10 | 2 |
| 17 | 45230002000 | IGNITION COVER | 1 |
| 18 | 0025060306 | HH COLLAR SCREW M6X30 TX30 | 2 |
| 19 | 0025060206 | HH COLLAR SCREW M6X20 TX30 | 2 |
| 20 | 45230040000 | GASKET - IGNITION COVER | 1 |

094523910 / C094523910

* NEW PART

X AS REQUIRED





KTM-Sportmotorcycle AG
A-5230 Mattighofen
www.ktm.at

KTM Group Partner



3CM0802561EN



Art.Nr.: 3CM0802561EN 8/2008