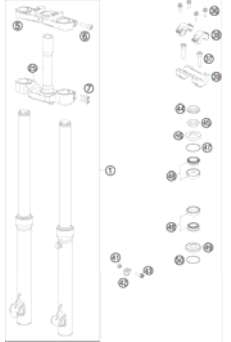
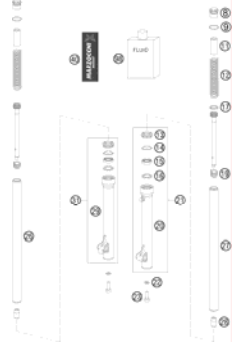
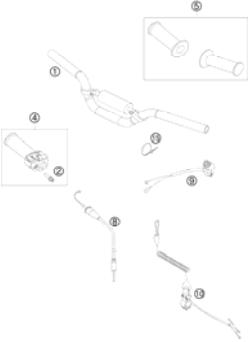
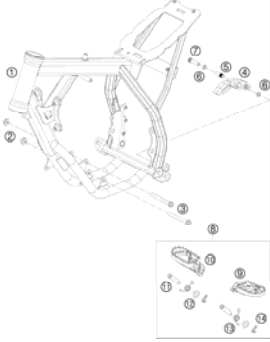
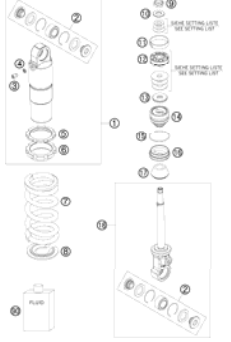
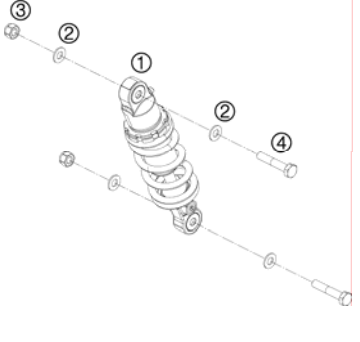
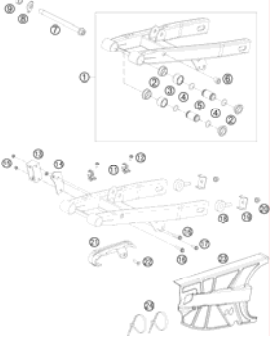
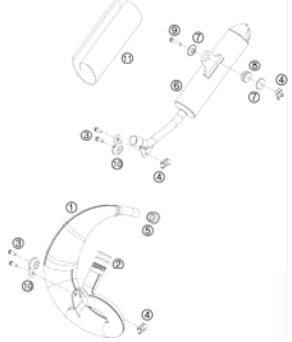

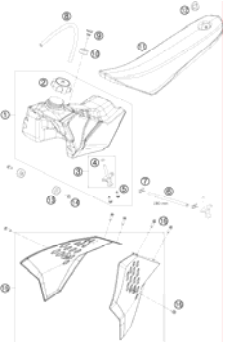
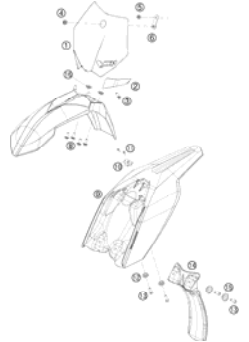
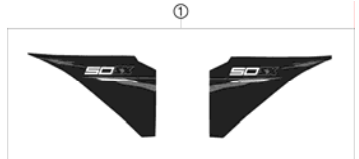


SPARE PARTS MANUAL: CHASSIS

ART.NO.: 3CF6001J4EN

ENGLISH



<p>FRONT FORK, TRIPLE CLAMP</p>  <p>3</p>	<p>FRONT FORK DISASSEMBLED</p>  <p>4</p>	<p>HANDLEBAR, CONTROLS</p>  <p>5</p>	<p>FRAME</p>  <p>6</p>
<p>SHOCK ABSORBER DISASSEMBLED</p>  <p>7</p>	<p>SHOCK ABSORBER DISASSEMBLED</p>  <p>8</p>	<p>SWING ARM</p>  <p>9</p>	<p>EXHAUST SYSTEM</p>  <p>10</p>
<p>AIR FILTER</p>  <p>11</p>	<p>TANK, SEAT, COVER</p>  <p>12</p>	<p>MASK, FENDERS</p>  <p>13</p>	<p>DECAL</p>  <p>14</p>

FRONT WHEEL

15

REAR WHEEL

16

HAND BRAKE CYLINDER

17

REAR BRAKE CONTROL

18

BRAKE CALIPER FRONT

19

BRAKE CALIPER REAR

20

ACCESSORIES KIT

21



All information contained is without obligation. KTM-Sportmotorcycle AG particularly reserves the right to modify any equipment, technical specifications, prices, colors, shapes, materials, services, service work, constructions, equipment and the like so as to adapt them to local conditions or to cancel any of the above items, all without previous announcement and without giving reasons. KTM may stop manufacturing certain models without previous notice. KTM shall not be held liable for any deviations of availability and/or ability to deliver, illustrations, descriptions, printing and/or other errors. The illustrated models partly contain extra equipment, which is not applied to standard models. © by KTM-SPORTMOTORCYCLE AG, Mattighofen AUSTRIA; All rights reserved; Reprint, also in extracts, with written allowance of KTM-SPORTMOTORCYCLE AG, Mattighofen only.

FRONT FORK, TRIPLE CLAMP

50 SX 2010

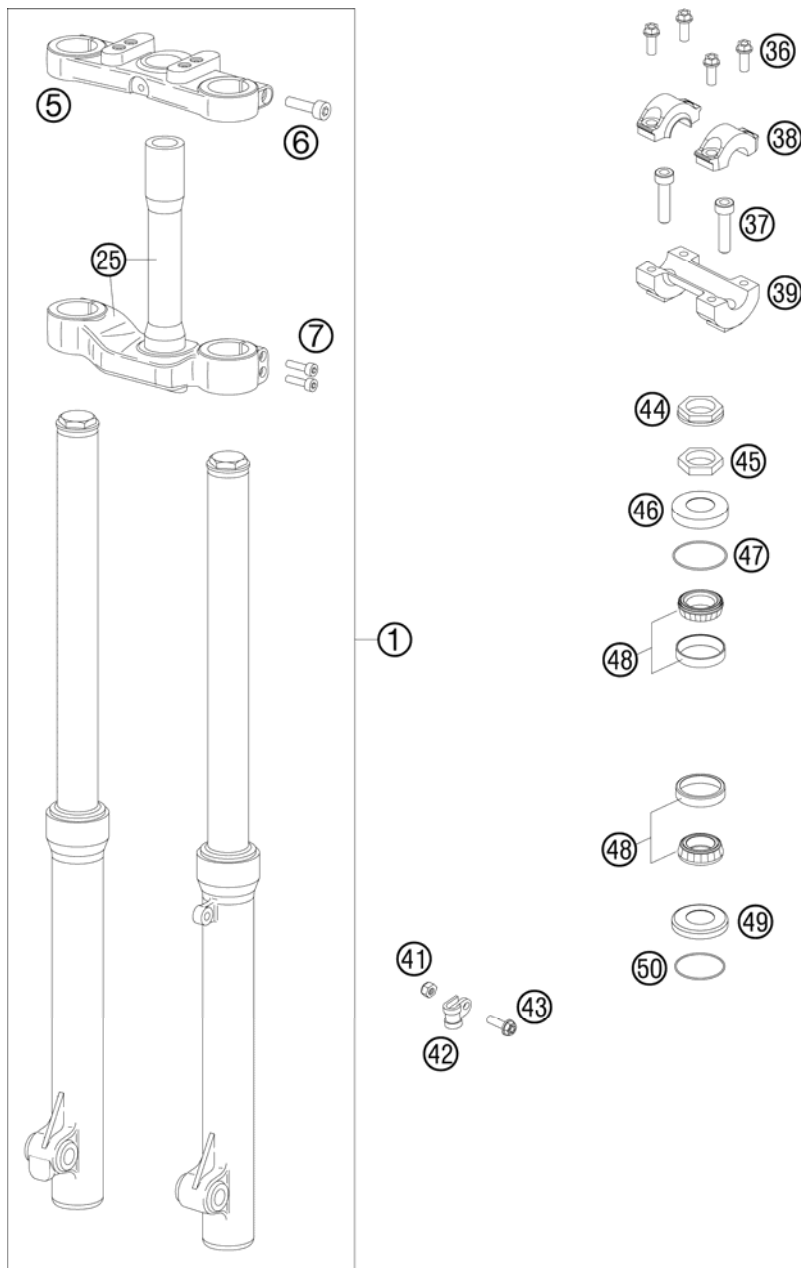


FIG	PART NUMBER	DESCRIPTION	QTY
1	45101000644	FORK CPL. SX SEN. MARZ. 2003	1
5	7501498A	TOP FORK PLATE 50 LC SEN. 03	1
6	0912080303	AH SCREW DIN0912-M 8X30	2
7	0912060253	AH SCREW DIN0912-M 6X25	4
25	77051264	BOTTOM TRIP. CLAMP CPL.	1
36	0025080306	HH COLLAR SCREW M8X30 TX40	4
37	0912100250	AH SCREW DIN6912-M10X25,10.9,L	2
38	50301038000	HANDLEBAR CLAMP D=22MM 2001	2
39	45101039000	HANDLEBAR SUPPORT D=22MM 2001	1
41	0985050003	SELF LOCKING NUT DIN0985-M 5	1
42	45001070000	BRAKE CABLE CLAMP RSGU 9/12	1
43	0025050206	HH COLLAR SCREW M5X20 TX30	1
44	59030029000	HH NUT M20X1,5 WS=27 RIGHT	1
45	46001043000	STEERING HEAD NUT M20X1,5	1
46	49001086000	COVERING CAP	1
47	0770021300	O-RING 40,94X2,62 NBR70	1
48	49001081000	TAPERED ROLLER BEARING 32004X	2
49	46001086000	PROTECTION RING 20,1X39X5	1
50	0770360030	O-RING 36,00X3,00 NBR	1

094520110 / C094520112

* NEW PART

X AS REQUIRED

FRONT FORK DISASSEMBLED

50 SX 2010

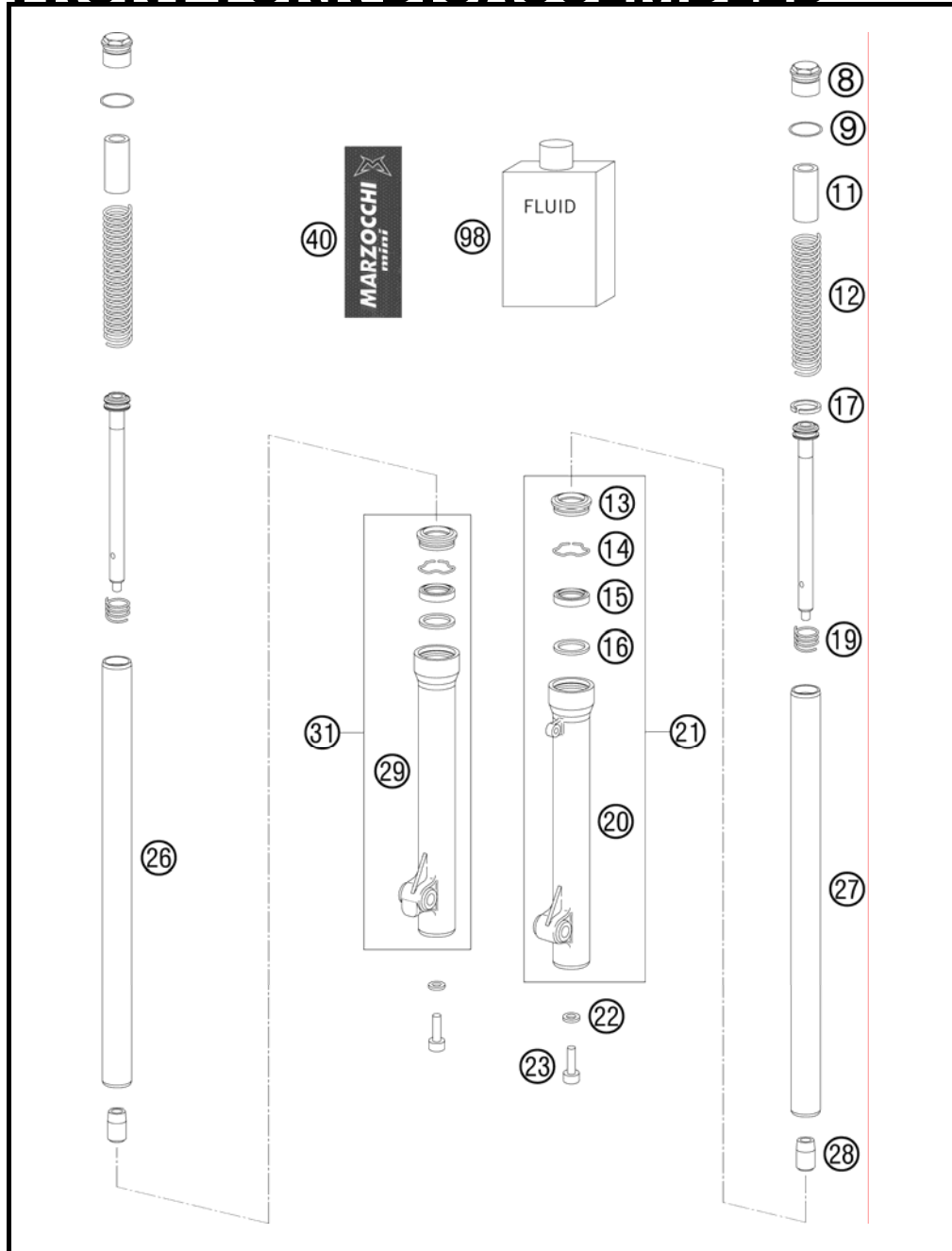


FIG	PART NUMBER	DESCRIPTION	QTY
8	7504212AC	PLUG CAP	2
9	7528010	O-RING	2
11	7518076	PRE LOAD BUSH 25X2,5X100	2
12	75141169	SPRING 2N/MM	2
12	75141214	SPRING 2,5N/MM	x
13	7533297	DUST SEAL	2
14	7523264	STOP RING	2
15	7528230	OIL SEAL 32/42/6,5-9,5	2
16	7522166AA	WASHER D42X32,5X1,5	2
17	7524157	PISTON RING D32	1
		ONLY FOR REBOUND DAMPING	
19	75141015	REBOUND SPRING	2
20	75031570A	SLIDER L/S 50 LC 2002	1
21	75031570A/R	SLIDER CPL. L/S 50LC 2002	1
22	7522225	WASHER 14X8X1,5	2
23	0912080303	AH SCREW DIN0912-M 8X30	1
26	7708249/R	FORK TUBE R/S SENIOR 02	1
27	7708250/R	FORK TUBE L/S SENIOR 02	1
28	7512068	FOOT BUFFER	2
29	75031571A	SLIDER R/S 50 LC 2002	1
31	75031571A/R	SLIDER CPL. R/S 50LC 2002	1
40	7547325	STICKER LEFT SIDE MARZOCCHI	1
40	7547331	STICKER RIGHT SIDE MARZOCCHI	1
98	7550013	FORKOIL EBH16 SAE 7.5	1

094520130 / C094520132

* NEW PART

X AS REQUIRED



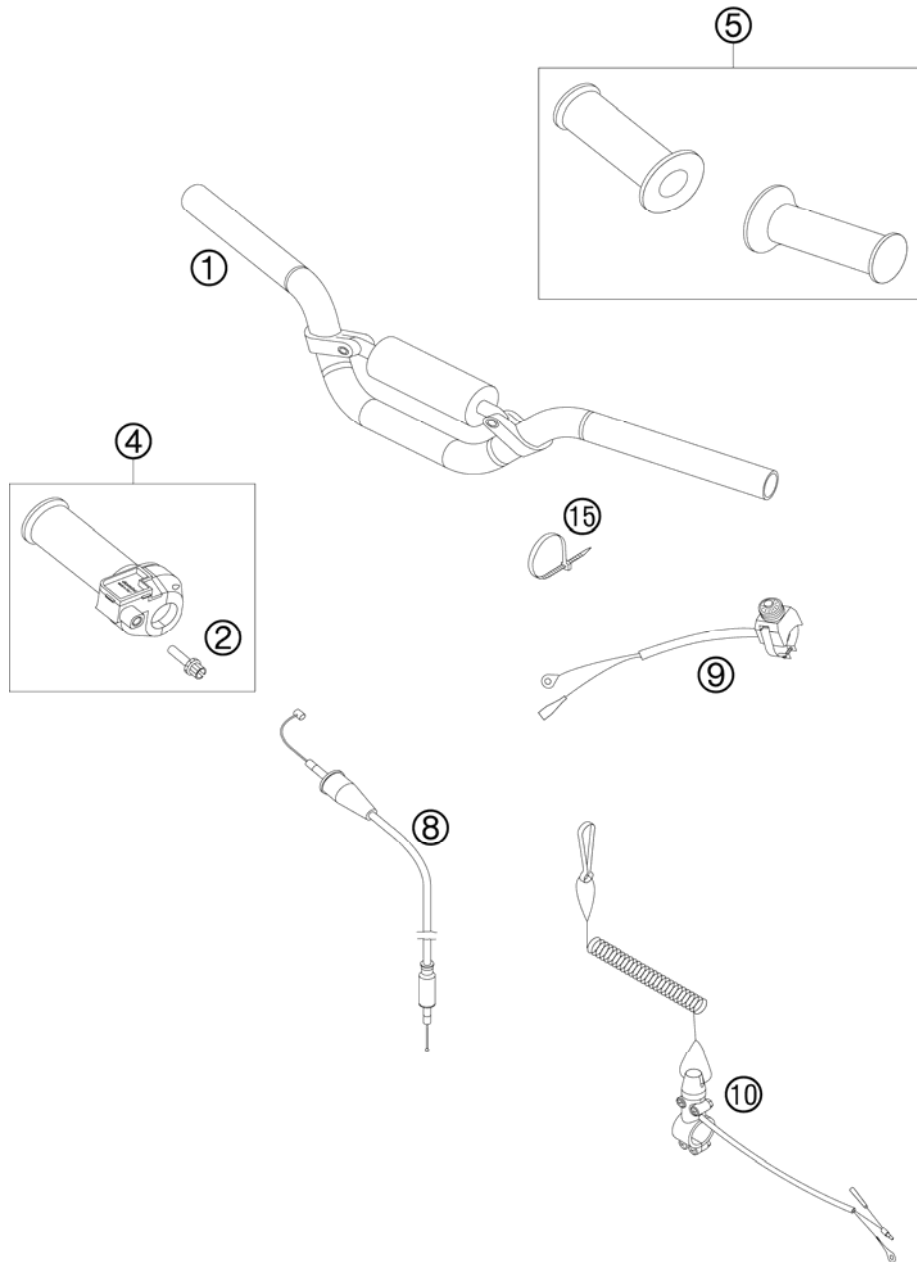


FIG	PART NUMBER	DESCRIPTION	QTY
1	45202001000	HANDLEBAR MINI	1
2	45002010050	ADJUSTING SCREW	1
4	45002010000	TWIST GRIP CPL. 50 SXR	1
5	45002021000	GRIPP SET	1
8	45102091000	THROTTLE CABLE SEN.849/726 01	1
9	50311089200	SHORT CIRCUIT BUTTON 02	1
10	45011089044	S.CIRCUIT BUTTON W. RIP CORD ACCESSORY	x
15	44011076100	CABLE TIE 100/2,5MM BLACK	x
15	44011076200	CABLE TIE 200/3,6MM BLACK	x

094520210 / C094520210

* NEW PART

X AS REQUIRED

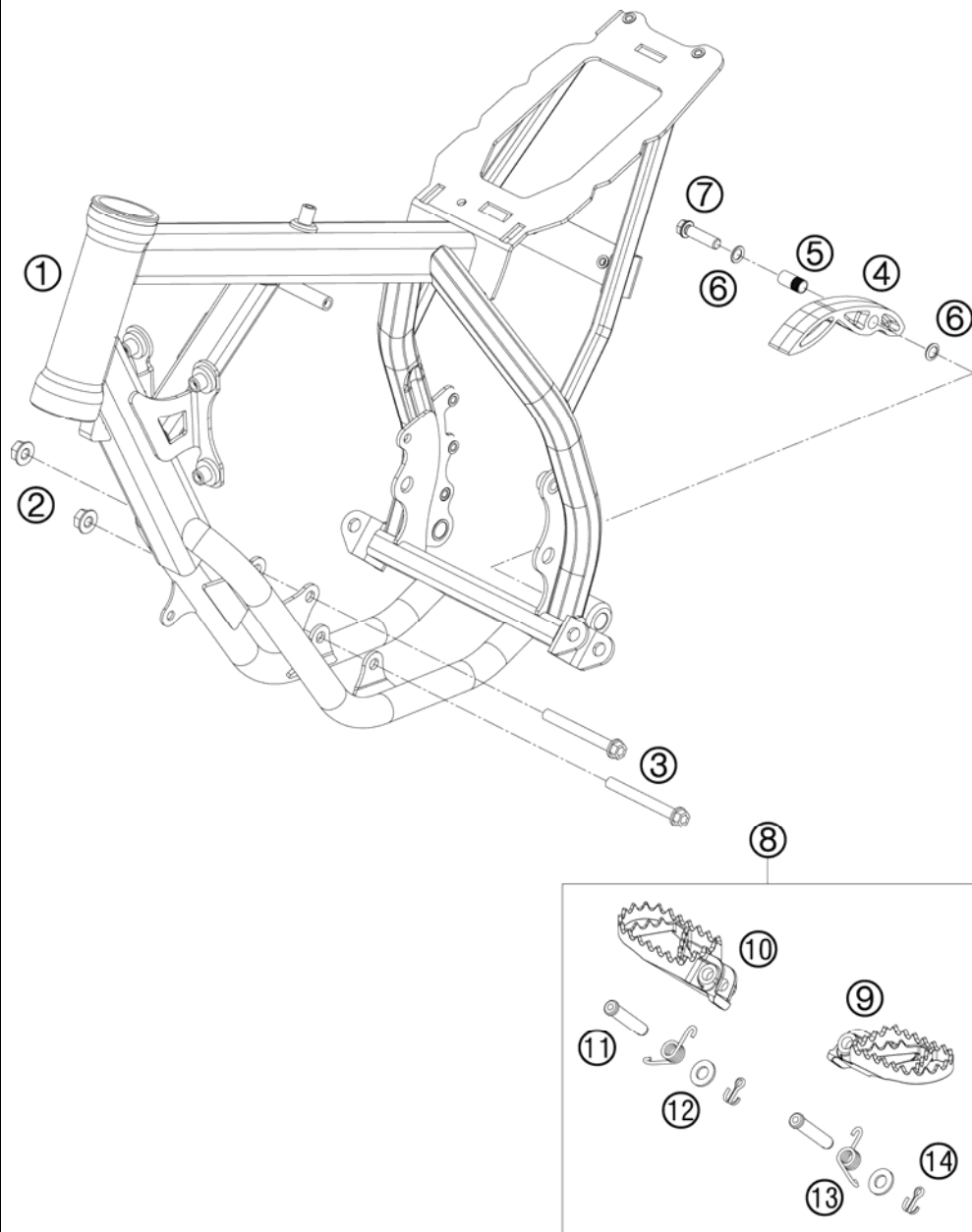


FIG	PART NUMBER	DESCRIPTION	QTY
1	4520300100030	FRAME "MA09" 50SX 2009	1
2	54310086200	SELF LOCKING NUT M8 10.9	2
3	0025080656	HH COLLAR SCREW M8X65 TX40	2
4	51103053000	CHAIN SLIDING PIECE BELOW '97	1
5	51103053051	BUSHING 8,2X10X20	1
6	36003014000	LOCK WASHER 8MM	2
7	0025080306	HH COLLAR SCREW M8X30 TX40	1
8	4700304003390	FOOTPEG L.+R. CPL. 85 SX 03	1
9	59003040050	FOOT PED L/S EXC SILVER 2000	1
10	59003041050	FOOT PED R/S EXC SILVER 2000	1
11	54803044000	BOLT FOR FOOT PED 03	2
12	0125100003	WASHER DIN0125-A10,5	2
13	54603041000	FOOTREST SPRING L/S & R/S	2
14	0094032253	PIN DIN0094-3,2X25 STEEL	2

094520310 / C094520310

* NEW PART

X AS REQUIRED

SHOCK ABSORBER DISASSEMBLED

50 SX 2010

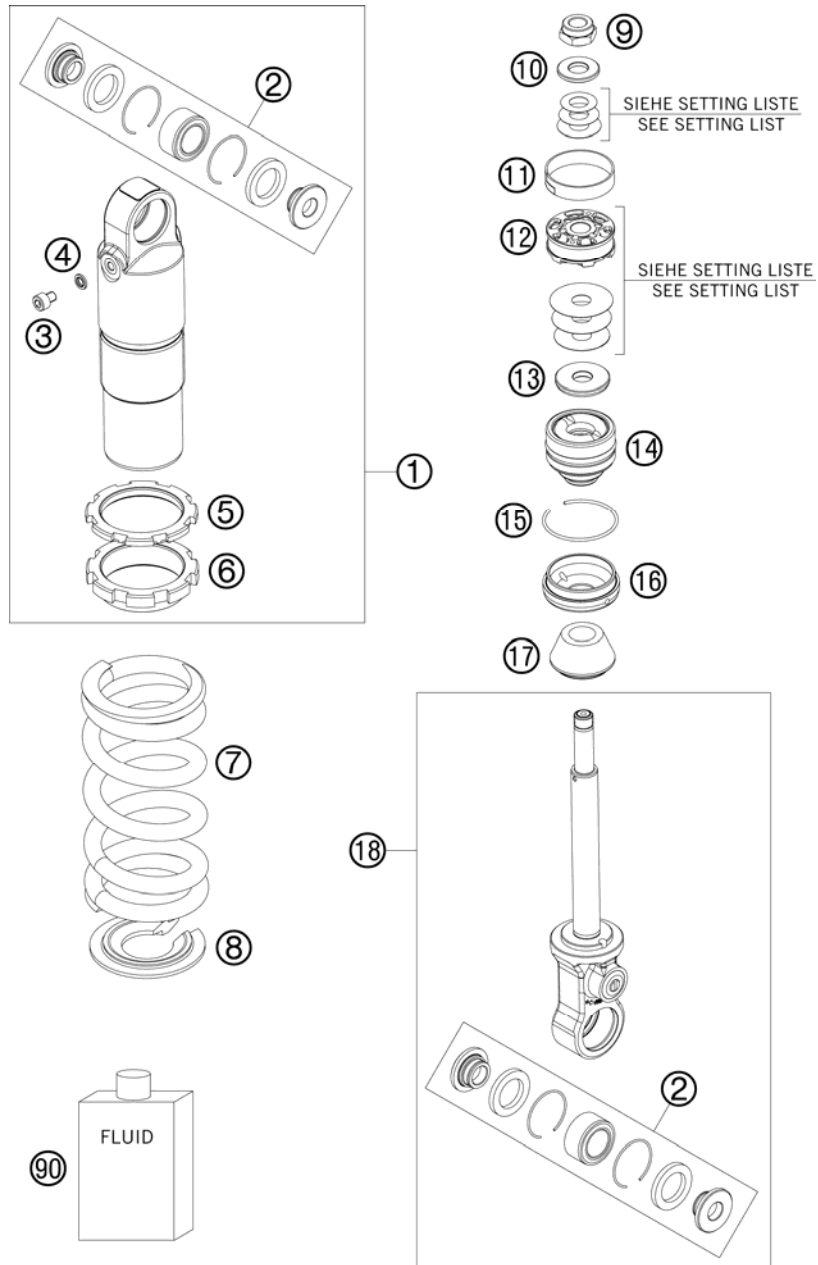


FIG	PART NUMBER	DESCRIPTION	QTY
1	36120783S	MONOSHOCK TOP PART L147 CPL.07	1
2	R307	REPAIR KIT BEARINGS 50 SX 07	2
3	36120785	SCREW M5 C.K. RVS	1
4	36120782	SEAL D5,21XD8,38X1,22	1
5	36120015	COUNTERNUT	1
6	36120418	ADJUSTING NUT	1
7	93010175S	SPRING 35N/MM 35-130 130MM OR.	x
7	93010176S	SPRING 30N/MM 30-130 130MM OR.	x
7	93010177S	SPRING 40N/MM 40-130 130MM OR.	x
8	36120386	SPRING RET. H=3, D=14,5	1
9	36120052	* PISTON ROD NUT M10X1	1
10	36120604	SHIM D10XD22X2,5	1
11	36120040	PISTON RING 8X1X108,3	1
12	36120071	* PISTON 6+6XD5.5/3,5	1
13	14360065	REBOUND DISC H=4 D=28,5	1
14	36120787S	ADAPTOR 36MM H26,6 CPL. 07	1
15	40540015	CIRCLIP 38X1,5	1
16	36120780	RESERVOIR CAP D=36 H=9,5	1
17	36120427	BUMP RUBBER WP65 L=20	1
18	36120776S1	MONOSH. BOTTOM PART L99 CPL.07	1
90	50180342S1	SHOCK ABSORBER FLUID 5 LT '03	1

084510430 / C084510430

* NEW PART

X AS REQUIRED

SHOCK ABSORBER DISASSEMBLED

50 SX 2010

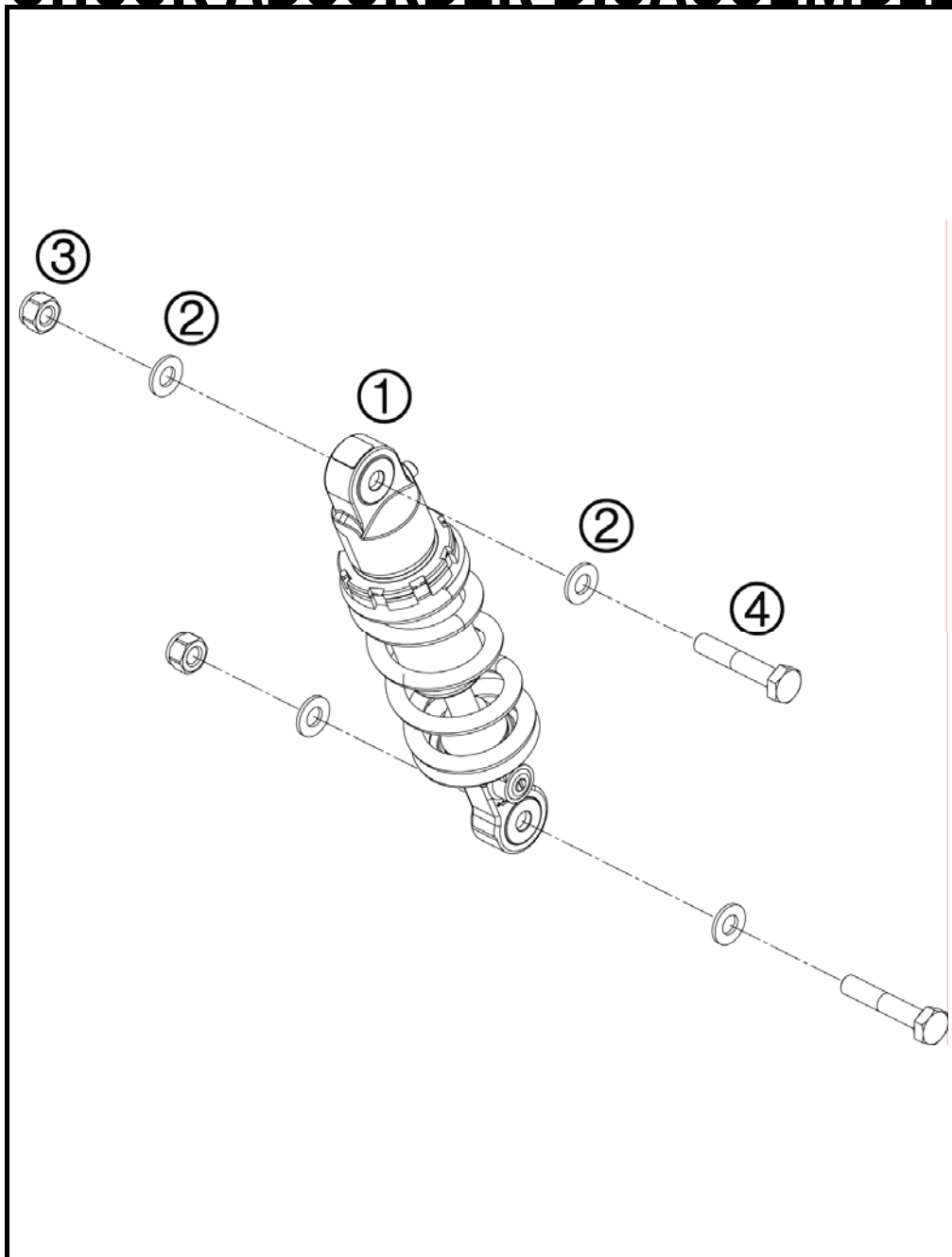


FIG	PART NUMBER	DESCRIPTION	QTY
1	03189E02	MONOSHOCK 50 SX 2009	1
2	0125100003	WASHER DIN0125-A10,5	4
3	0982100003	SELF LOCK.NUT DIN0982-M10 HIGH	2
4	0931100453	HH SCREW DIN0931-M10X45	2

094520410 / C094520410

* NEW PART

X AS REQUIRED

SWING ARM

50 SX 2010

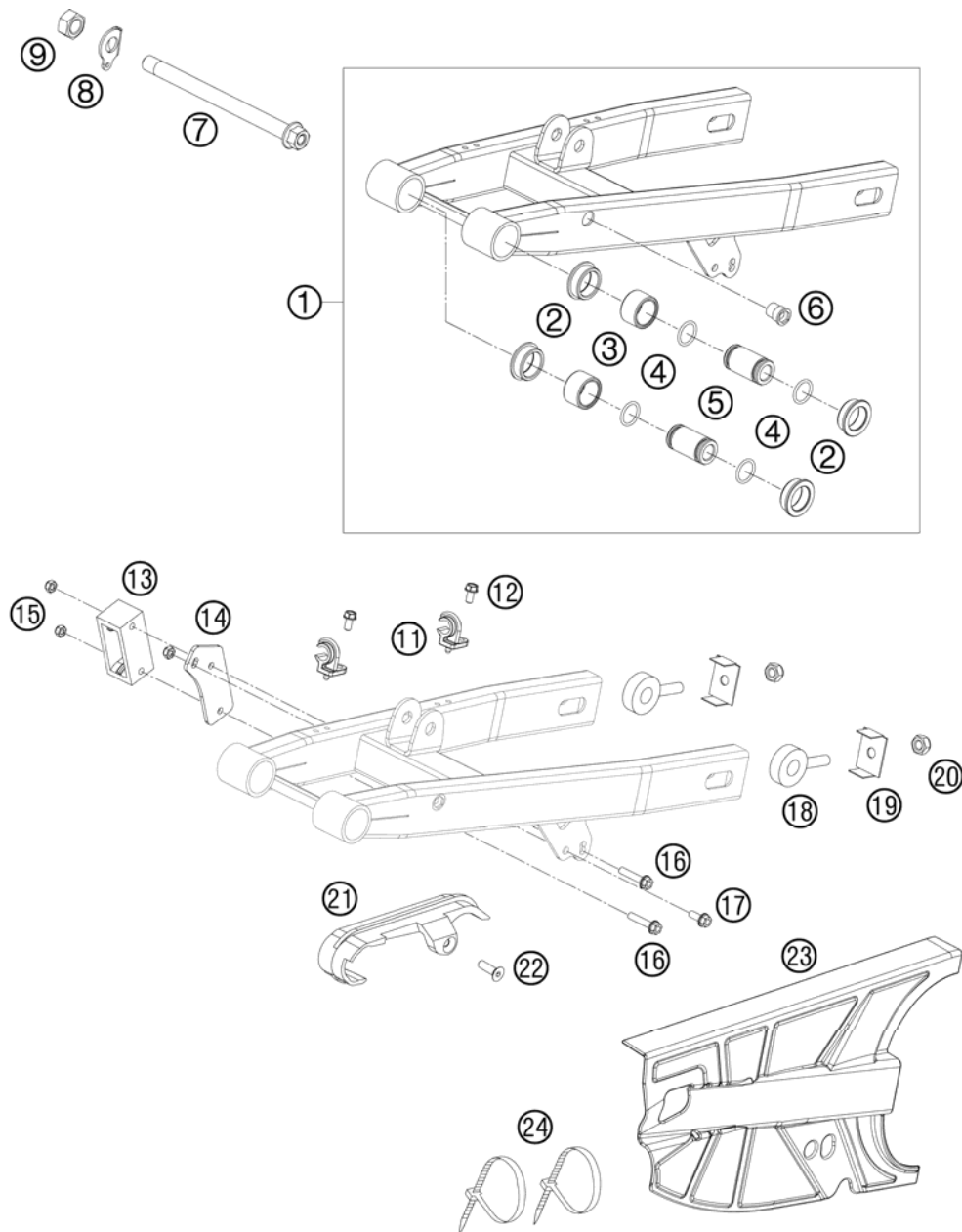


FIG	PART NUMBER	DESCRIPTION	QTY
1	45204030033	SWING ARM CPL. 50SX 09 (MB9S)	1
2	46004030070	SPACER BUSHING 20X26X30X9,7	4
3	54603097000	NEEDLE BUSH HK 2016	2
4	0770160021	O-RING 16,00X2,00 VITON	4
5	46004030071	BUSHING BOX 12X20X36,5	2
6	55003139900	BLIND RIVET THREAD M6 STE. 4MM	1
7	45103014144	SWING ARM BOLT CPL. 2004	1
8	45213053000	LOCK WASHER 50 SX	1
9	0934120103	HEXAGON NUT DIN0934-M12X1	1
11	54611076100	RETAIN.CLAMP FOR BRAKE HOSE'96	2
12	0009050103	SPECIAL SCREW M 5,0X10	2
13	45004070000	CHAIN GUIDE REAR	1
14	45104170000	BRACKET FOR CHAIN GUARD 02	1
15	0985050003	SELF LOCKING NUT DIN0985-M 5	3
16	0025050306	HH COLLAR SCREW M5X30 TX30	2
17	0025050126	HH COLLAR SCREW M5X12 TX30	1
18	45010083000	CHAIN ADJUSTER	2
19	45010083060	SUPPORTING BRACKET	2
20	0985080003	SELF LOCKING NUT DIN0985-M 8	2
21	45204066000	CHAIN SLIDING GUARD	1
22	0991060203	FLAT H.SCREW DIN7991-M6X20 8.8	1
23	45104061000	CHAINGUARD JUNIOR 08	1
24	44011076305	CABLE TIE 300/4,8MM BLACK	2

094520490 / C094520490

* NEW PART

X AS REQUIRED

EXHAUST SYSTEM

50 SX 2010

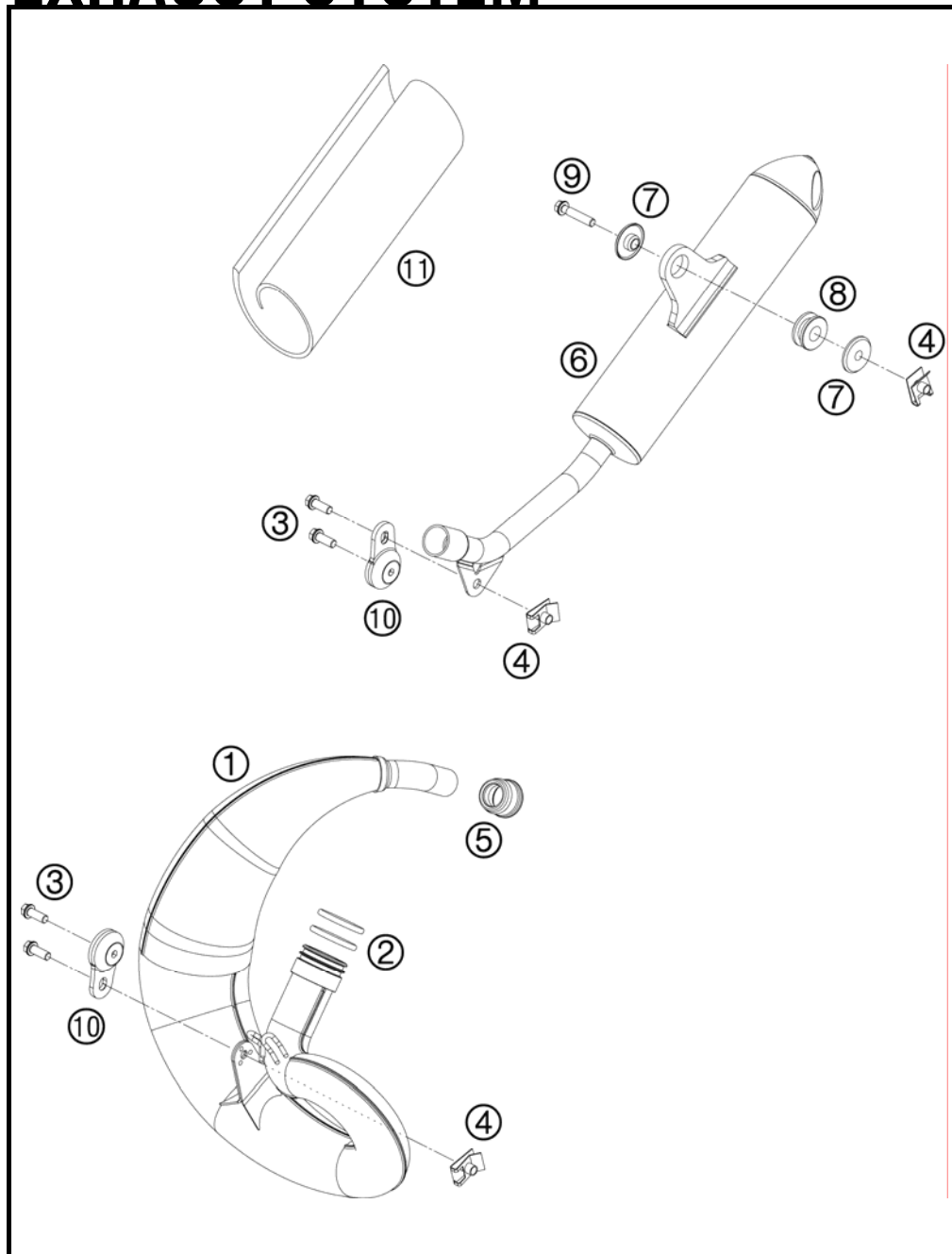


FIG	PART NUMBER	DESCRIPTION	QTY
1	45205107000	EXHAUST MANIFOLD 50 SX 2009	1
2	0770320030	O-RING 32,00X3,00 VITON	2
3	0025060166	HH COLLAR SCREW M6X16 TX30	4
4	54603048100	RANGE CHANGE METAL NUT M6	3
5	45105057000	EXHAUST RUBBER MINI 2002	1
6	45205079000	SILENCER 50 SX 2009	1
7	54605069000	BUSHING 7,5X12X28X7,8 '96	2
8	54605068000	EXHAUST BRACKET RUBBER BLACK	1
9	0025060306	HH COLLAR SCREW M6X30 TX30	1
10	50305012000	SWINGELEMENT FOR EXHAUST PIPE	2
11	45105079056	ROCKWOOL PREFOMED 50 2002	1

094520510 / C094520510

* NEW PART

X AS REQUIRED

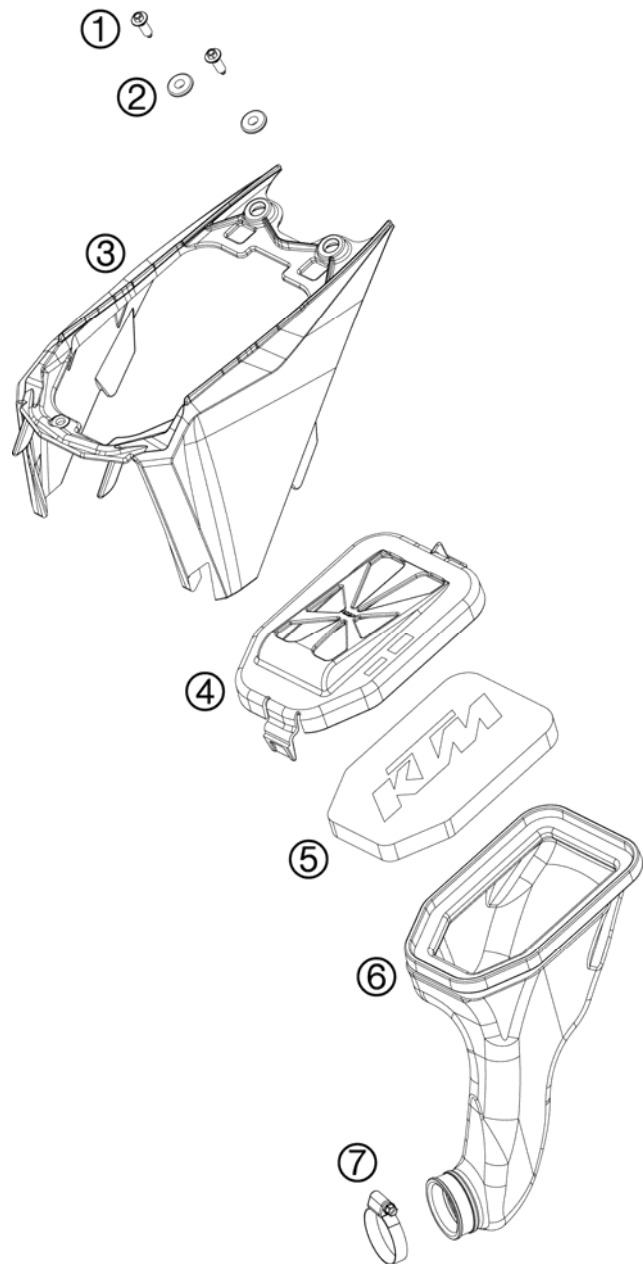


FIG	PART NUMBER	DESCRIPTION	QTY
1	0017060203	EJOT PT SCREW K60X20 WS=6	2
2	54808020000	SPACER BUSHING 03	2
3	4520600100030	AIRFILTERBOX 50 SX 09	1
4	45206002000	FILTER BOX COVER 50 SX 09	1
5	45206015000	AIR FILTER 50 SX 09	1
6	45206026000	CARBURETOR CONNECT. 50 SX	1
7	76235028000	HOSE CLAMP GEMI 20-32 MM	1

094520610 / C094520610

* NEW PART

X AS REQUIRED

TANK, SEAT, COVER

50 SX 2010

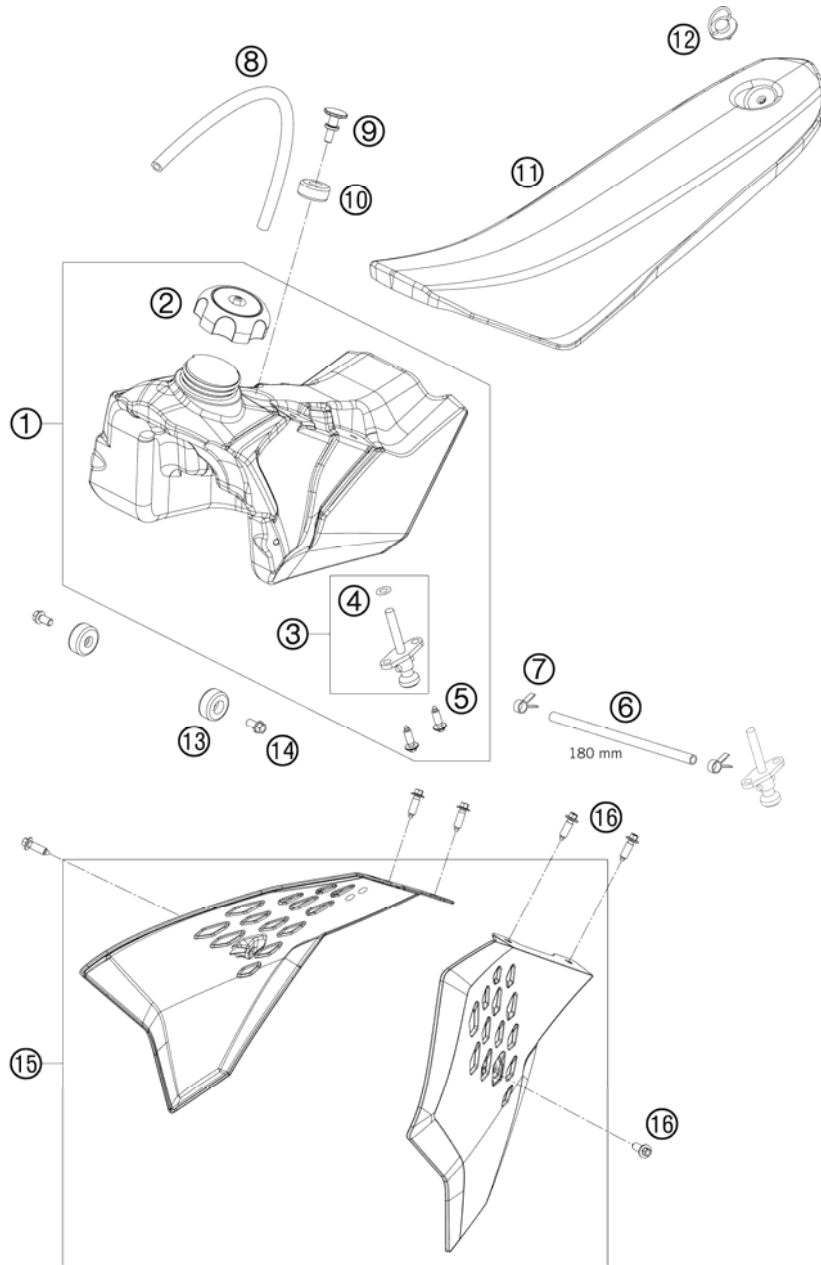


FIG	PART NUMBER	DESCRIPTION	QTY
1	4520701303330	FUEL TANK CPL. 50 SX 2009	1
2	49007008044	FILLER CAP CPL. SMALL	1
3	58507003000	FUEL COCK CPL. SMALL RALLYE'96	1
4	0770020130	O-RING 1,78x10,82x14,38 2-013	1
5	0017060203	EJOT PT SCREW K60X20 WS=6	2
6	58307016001	FUEL HOSE VITON 6X1,5 PER/M	1
7	45031005000	YDNAC-CLAMP FUEL HOSE (8MM)	2
8	78007000270	PVC-HOSE 5,6X10X270MM	1
9	45107011000	TANK SCREW MINI 50 2001	1
10	50307014000	TANK ROLLER 12X26X12 '98	1
11	45207040000	SEAT 50 SX 09	1
12	45007040051	QUICK RELEASE CPL. 50 SXR '97	1
13	50307014000	TANK ROLLER 12X26X12 '98	2
14	0025060126	HH COLLAR SCREW M6X12 TX30	2
15*	4520805400030B	SPOILER SET BLACK 50 SX 2010	1
16	0017060204	EJOT PT SCREW K60X20 ALU WS=6	6

094520710 / C104520710

* NEW PART

X AS REQUIRED

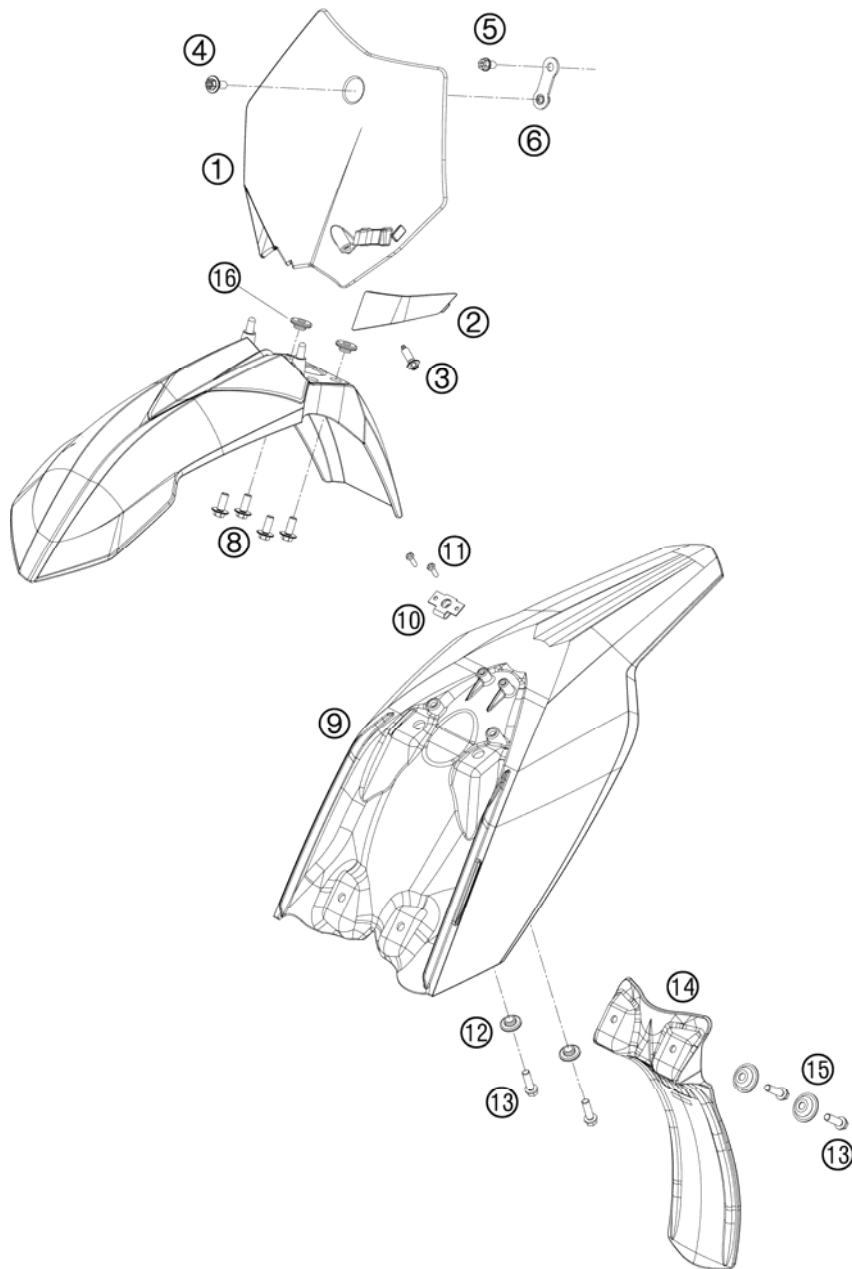


FIG	PART NUMBER	DESCRIPTION	QTY
1*	45208007000X4	NUMBER PLATE SX 2010	1
2*	45208022000X4	BRAKE HOSE GUIDE 50 SX 09	1
3	0017060204	EJOT PT SCREW K60X20 ALU WS=6	1
4	0024060106	HH COLLAR SCREW M6X10 TX30	1
5	0025060106	HH COLLAR SCREW M6X10 TX30	1
6	45208007050	RETAINING PLATE F. NUMBER PL.	1
7*	45208010000X4	FENDER FRONT SX 2010	1
8	0024060156	HH COLLAR SCREW M6X15 TX30	4
9*	45208013000X4	REAR PART	1
10	45007040050	QUICK RELEASE LATCHPLATE	1
11	0981350163	SHEET MET.SCR.DIN7981- 3,5X16	2
12	54808020000	SPACER BUSHING 03	2
13	0025060206	HH COLLAR SCREW M6X20 TX30	4
14	45206010000	SPLASH PROTECT. 50 SX 2009	1
15	72210079000	BUCKET	2
16*	50213161000	COLLAR BUSHING	2

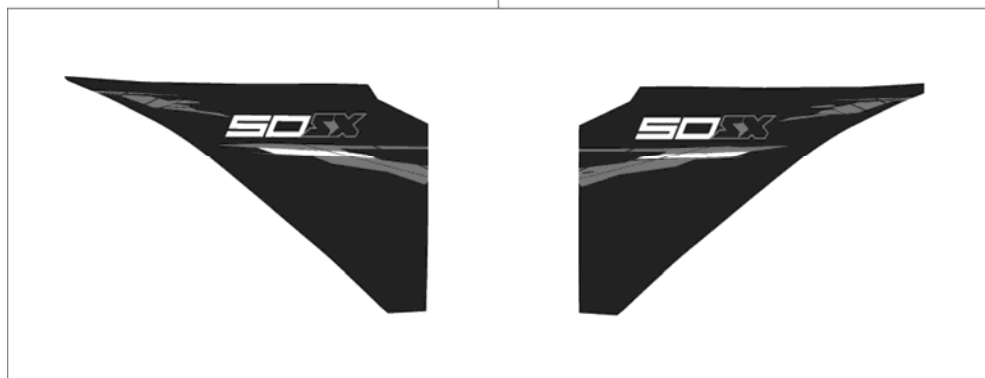
104520810 / C104520811

* NEW PART

X AS REQUIRED

FIG	PART NUMBER	DESCRIPTION	2010	QTY
1	45208091300	DECAL CPL. 50SX		1

①



104520830 / C104520830

* NEW PART

X AS REQUIRED

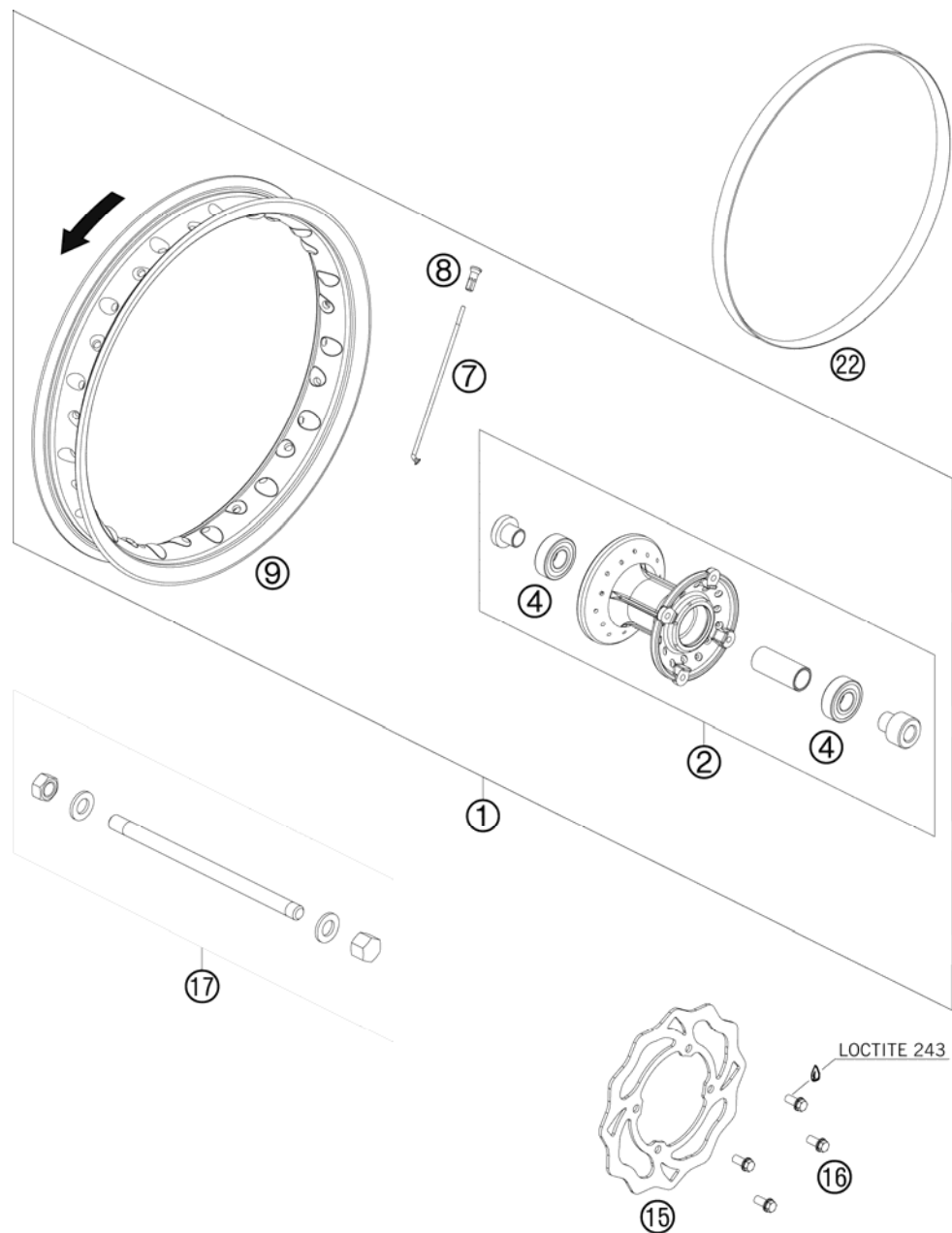


FIG	PART NUMBER	DESCRIPTION	QTY
1	45209001044	FRONT WHEEL 50 SX 2009	1
2	45109010044	FRONT WHEEL HUB CPL. 2002	1
4	0625062028	BALL BEARING 6202-2RSH/C3	2
7	45109071129	SPOKE 3X124X5MM-110° 02	28
8	45109072000	SPOKE NIPPLE 3MM	28
9	4520907000030	FRONT RIM 12"X1,5 BLACK 2009	1
15	45209060000	BRAKE DISC FRONT JUN/SEN 09	1
16	59009062013	SPECIAL SCREW M6X13 WS=8 10.9	4
17	46010085044	AXLE CPL. 207MM M12X1	1
22	45109073100	RIM BAND 12"	1

094520910 / C094520911

* NEW PART

X AS REQUIRED

REAR WHEEL

50 SX 2010

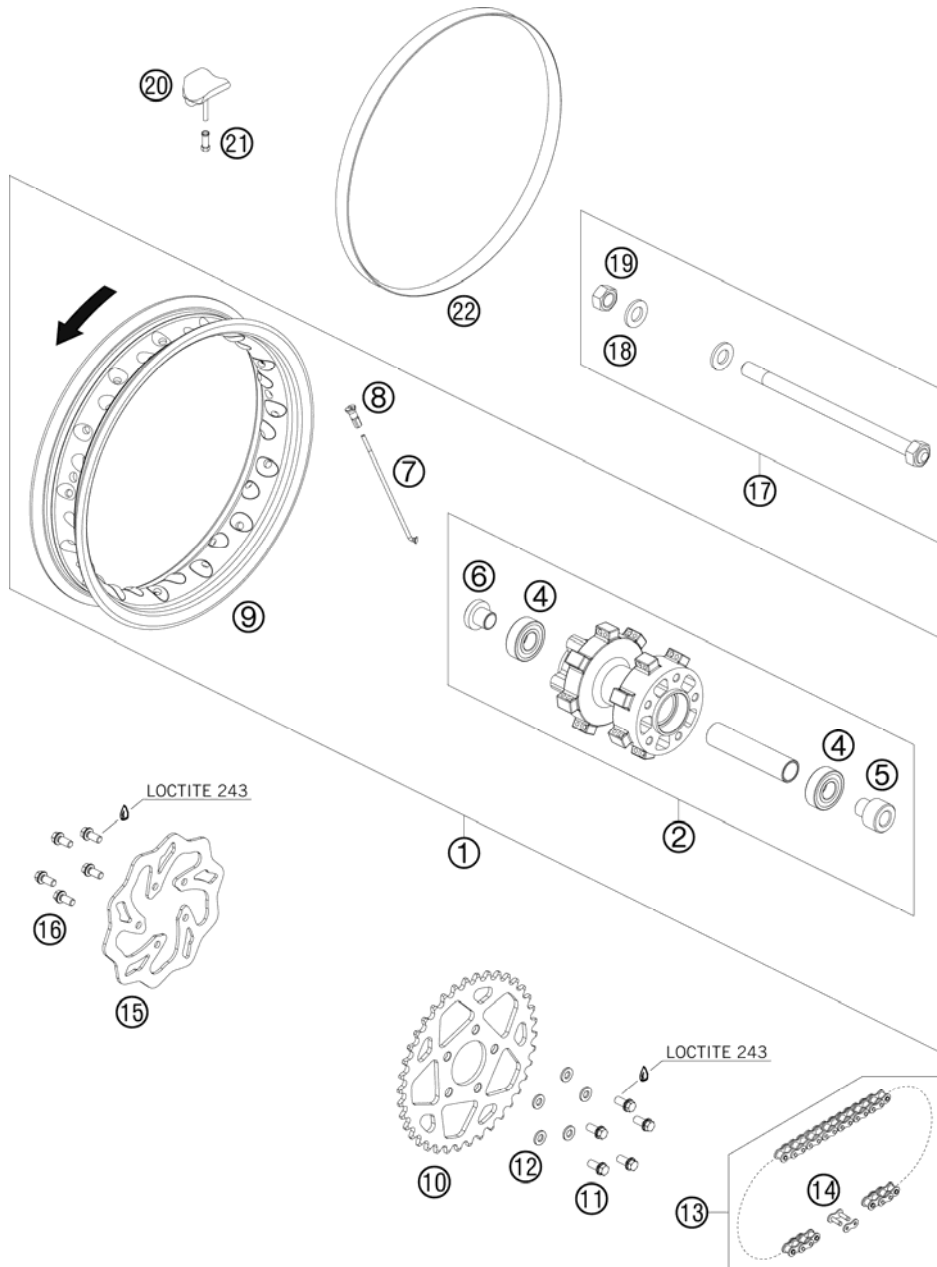


FIG	PART NUMBER	DESCRIPTION	QTY
1	45210001044	REAR WHEEL 50 SX 2009	1
2	45110010144	REAR WHEEL HUB CPL. 2004	1
4*	0625062028	BALL BEARING 6202-2RSH/C3	2
5	45110014000	DISTANCE SLEEVE L/S	1
6	45110013000	DISTANCE SLEEVE R/S	1
7	45210071111	SPOKE 3X111 C.166°	28
8	45109072000	SPOKE NIPPLE 3MM	28
9	4521007000030	REAR RIM 10"X1,6 BLACK 2009	1
10	45210051038	SPROCKET 38-T 50 SX 2009	x
10	45210051039	SPROCKET 39-T 50 SX 2009	x
10	45210051040	SPROCKET 40-T 50 SX 2009	x
10	45210051041	SPROCKET 41-T 50 SX 2009	x
10	45210051042	SPROCKET 42-T 50 SX 2009	x
11	0015070203	HH COLLAR SCREW M 7X20 WS=11	5
12	45110052000	SHIM	5
13	45110265104	RACING CHAIN 1/2X3/16" 50 SX	1
14	45110266000	CONNECTING LINK 1/2X3/16" 90RS	1
15	45210060000	BRAKE DISC REAR D=140MM 09	1
16	59009062016	SPECIAL SCREW M6X16 WS=8 10.9	5
17	45110081000	AXLE REAR CPL. SEN."LC"	1
18	0125120003	FLAT WASHER DIN0125-A13	2
19	0934120103	HEXAGON NUT DIN0934-M12X1	2
20	45110090000	RIM LOCK CPL. 2004	1
21	50310090050	NUT FOR WHEEL HOLDER '96	1
22	45009073000	RIM BAND 10" 22MM	1

094521010 / C104521010

* NEW PART

X AS REQUIRED

HAND BRAKE CYLINDER

50 SX 2010

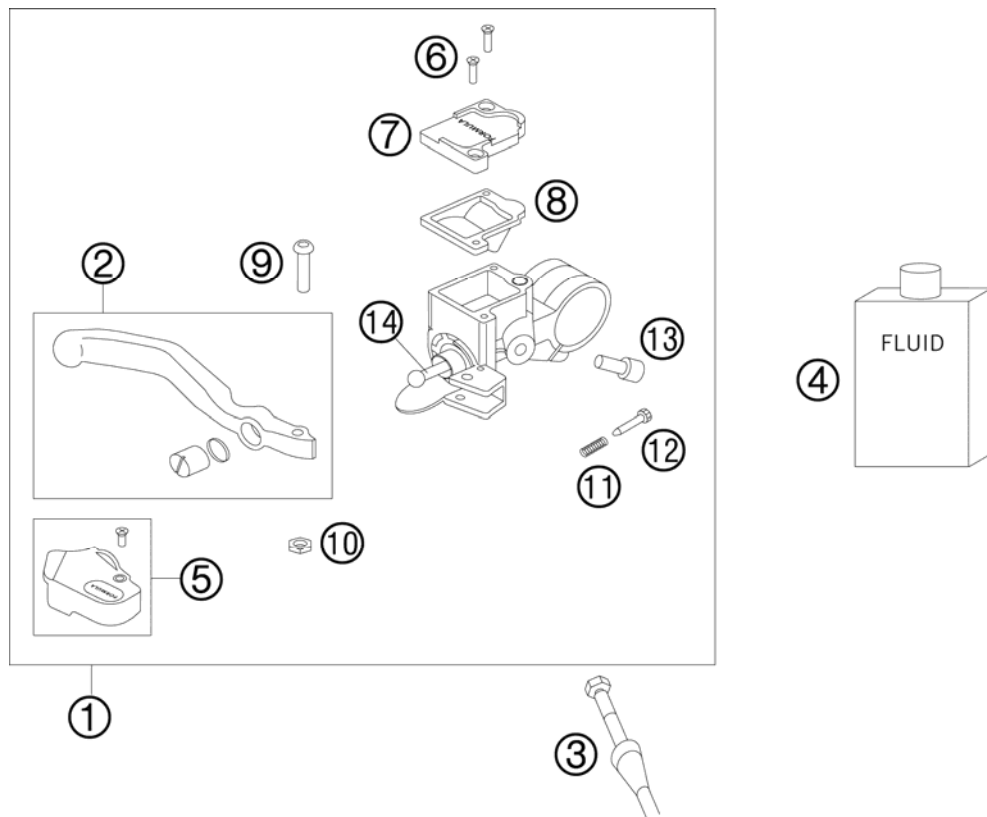


FIG	PART NUMBER	DESCRIPTION	QTY
1	45113101044	HAND BRAKE CYLIND.CPL.50 LC 02	1
2	45113002000	HANDBRAKE LEVER CPL. R/S 02	1
3	45113012100	BRAKE HOSE FR. SX SEN. LC 2002	1
4	00062030000	BRAKE FLUID DOT5.1 0,25L	1
5	45113004000	PROT.CAP HAND BRAKE CYL. 50 LC	1
6	0966030083	OVAL HEAD SCREW DIN0966-M 3X8	2
7	45113003000	HAND BRAKE CYLINDER COVER 04	1
8	45113009000	GASKET HAND BRAKE CYLINDER 04	1
9	45113006000	SPECIAL-AH SCREW M 5X18	1
10	45113013000	NUT M5 DIN 6334	1
11	45113021000	SPRING FOR HAND BRAKE LEVER 04	1
12	45113007000	ADJUSTING SCREW M 3X16 04	1
13	0912050103	AH SCREW DIN0912-M 5X10	1
14	45113008000	REP.KIT PISTON FRONT 50 04	1

094521310 / C094521310

* NEW PART

X AS REQUIRED

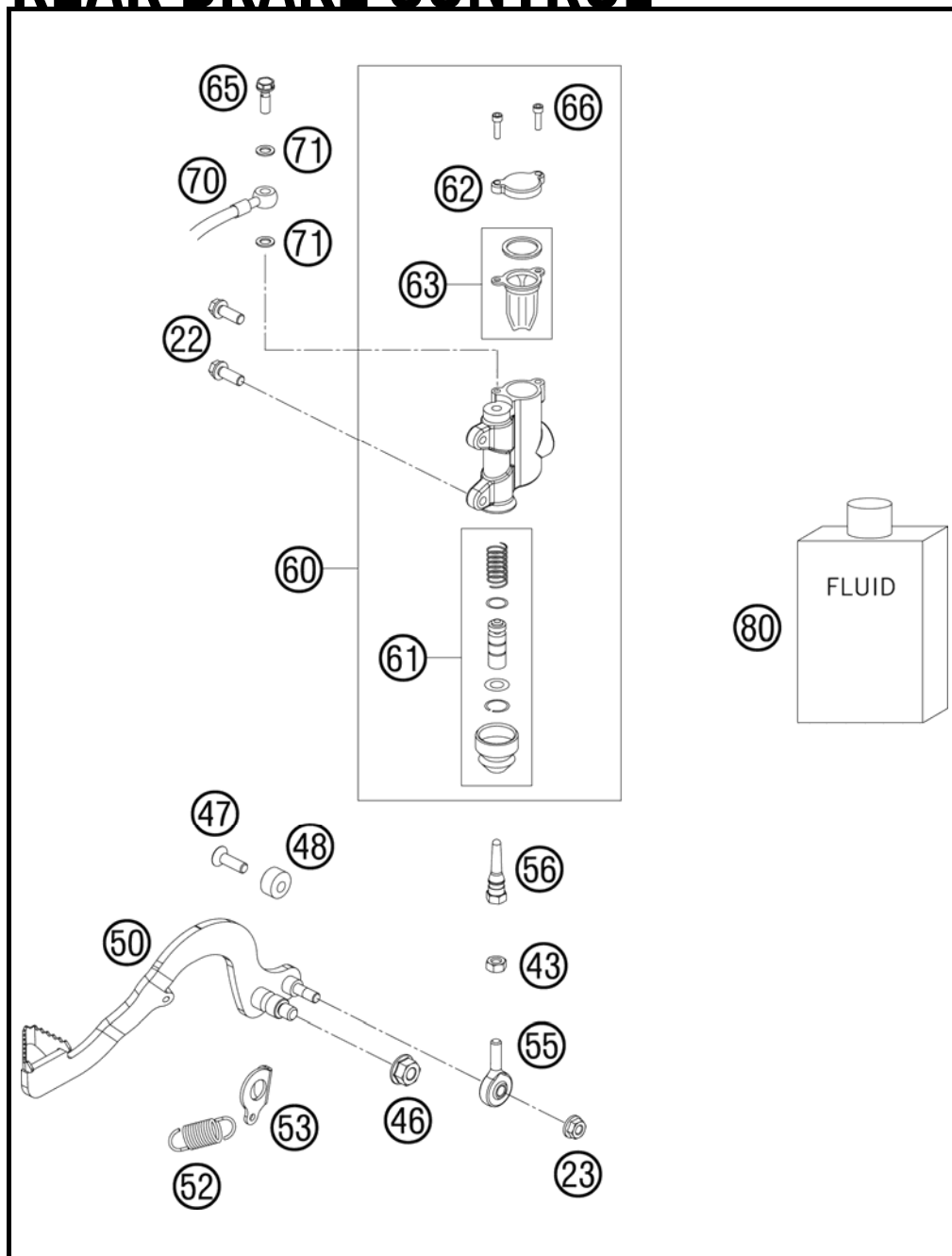


FIG	PART NUMBER	DESCRIPTION	QTY
22	0025060166	HH COLLAR SCREW M6X16 TX30	2
23	56509064100	SELF LOCKING NUT M6 10.9	3
43	0934060003	HEXAGON NUT DIN0934-M 6	1
46	54310086200	SELF LOCKING NUT M8 10.9	1
47	0991060203	FLAT H.SCREW DIN7991-M6X20 8.8	1
48	58303063000	BRAKE LEVER STOP '93	1
50	45213050000	FOOT BRAKE LEVER	1
52	54603062000	RETURN SPRING FOR BRAKE LEVER	1
53	45213053000	LOCK WASHER 50 SX	1
55	54813055000	SWIVEL HEAD KA6 03	1
56	47013056100	PRESSURE ROD 85 SX 06	1
60	46113060000	REAR BRAKE CYL. 50+65 04	1
61	47013061000	REP. SET PISTON REAR D=11 2003	1
62	47013062000	CYLINDER COVER REAR 85 SX 03	1
63	47013063000	GASKET CYLINDER COVER REAR 03	1
65	46113325000	HOLLOW SCREW M6	1
66	0912040103	AH.SCREW DIN0912-M 4X10	2
70	45113170000	BRAKE HOSE REAR 50 LC 04	1
71	0770060019	O-RING 6,00X1,00 FORMULA	2
80	00062030000	BRAKE FLUID DOT5.1 0,25L	1

094521330 / C094521330

* NEW PART

X AS REQUIRED

BRAKE CALIPER FRONT

50 SX 2010

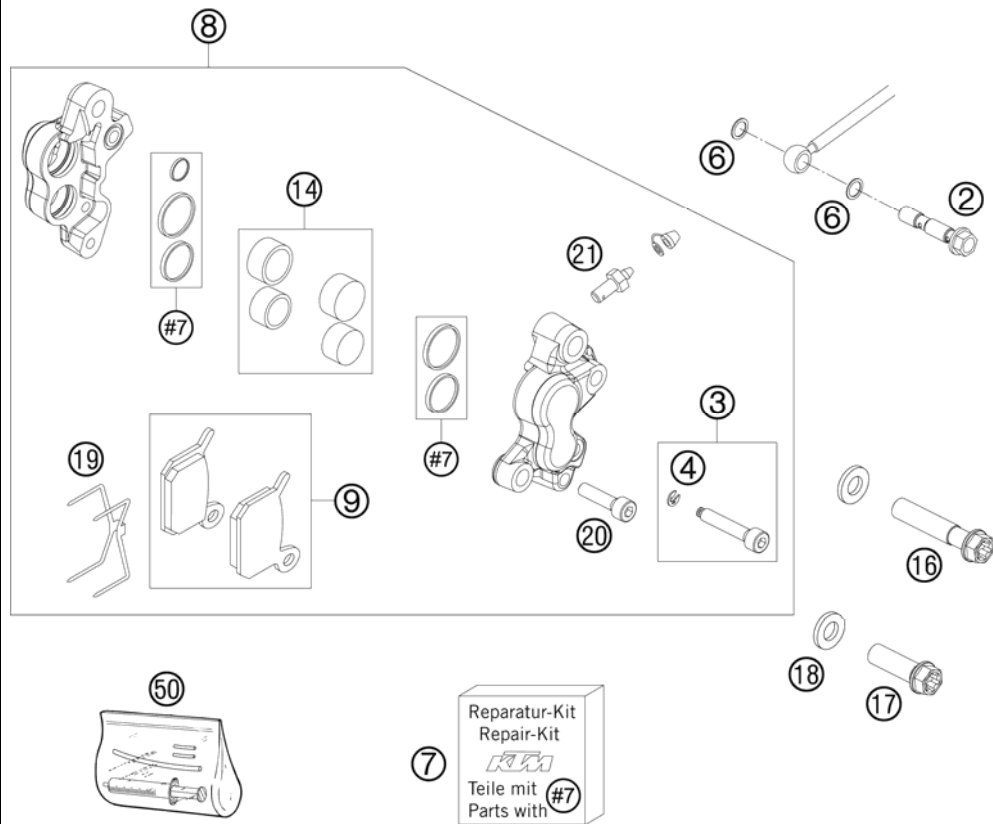


FIG	PART NUMBER	DESCRIPTION	QTY
2	45113025000	HOLLOW SCREW M6X34 50 LC 2002	1
3	45113125000	AH SCREW+CIRCLIP LC 50 02	1
4	0799025000	TAB WASHER DIN6799 RS2,5	1
6	0770060019	O-RING 6,00X1,00 FORMULA	2
7	45113019000	REP.KIT SEAL RING 50LC 2002	1
8	45113015000	BRAKE CALIPER CPL.FR. 50 LC 02	1
9	45113030000	BRAKE PAD SET 50 LC 2002	1
14	45113019050	REPAIR KIT BRAKEPISTON	1
16	0025080406	HH COLLAR SCREW M8X40 TX40	1
17	0025080256	HH COLLAR SCREW M8X25 TX40	1
18	0125080003	WASHER DIN0125-A 8,4	2
19	45113018000	RETAINING SPRING 50 LC	1
20	0912050203	AH SCREW DIN0912-M 5X20	1
21	45113020000	BREATHER SCREW 50 2002	1
50	45119050000	BLEEDER INJECTION-SET 50-65	x

094521360 / C094521360

* NEW PART

X AS REQUIRED

BRAKE CALIPER REAR

50 SX 2010

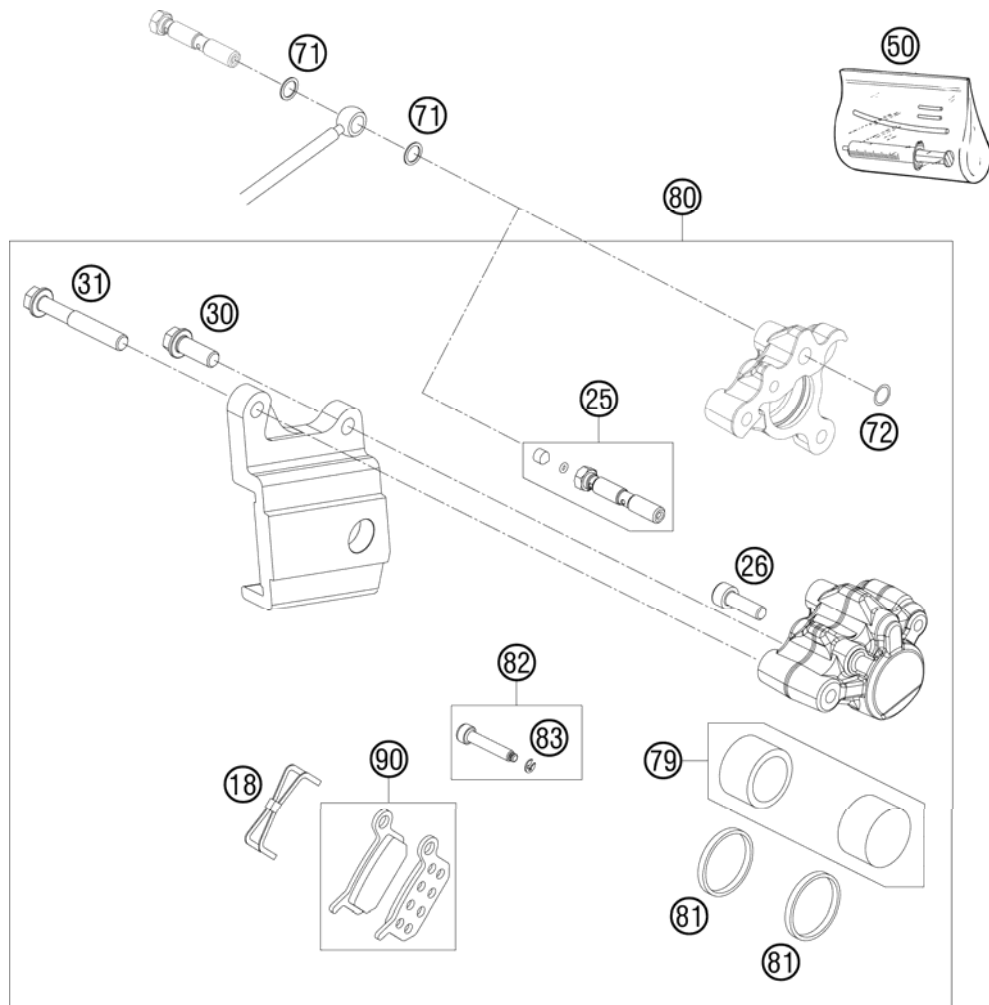


FIG	PART NUMBER	DESCRIPTION	QTY
18	45113018000	RETAINING SPRING 50 LC	1
25	46113225000	HOLLOW SCREW CPL.	1
26	0912050163	AH SCREW DIN0912-M 5X16	1
30	0025060206	HH COLLAR SCREW M6X20 TX30	1
31	0025060406	HH COLLAR SCREW M6X40 TX30	1
50	45119050000	BLEEDER INJECTION-SET 50-65	x
71	0770060019	O-RING 6,00X1,00 FORMULA	2
72	0770080019	O-RING 8,00X1,00 FORMULA	1
79	45113019100	REPAIR KIT BRAKEPISTON	1
80	45113080000	BRAKE CALIPER REAR CPL.50LC 04	1
81	0770022020	O-RING 22X2X2 EPDM	2
82	45113225000	AH SCREW + CIRCLIP 50/65 04	1
83	0799025000	TAB WASHER DIN6799 RS2,5	1
90	45113030000	BRAKE PAD SET 50 LC 2002	1

094521390 / C094521390

* NEW PART

X AS REQUIRED

①

OHNE ABBILDUNG
WITHOUT ILLUSTRATION

①

TECHNISCHE DOKUMENTATION
TECHNICAL DOCUMENTATION
DOCUMENTACION TECNICA
DOCUMENTATION TECHNIQUE
NOTE TECNICHE

②⑨

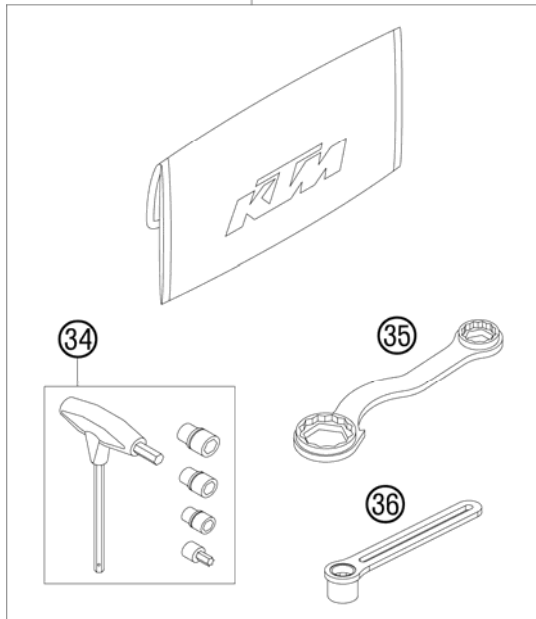
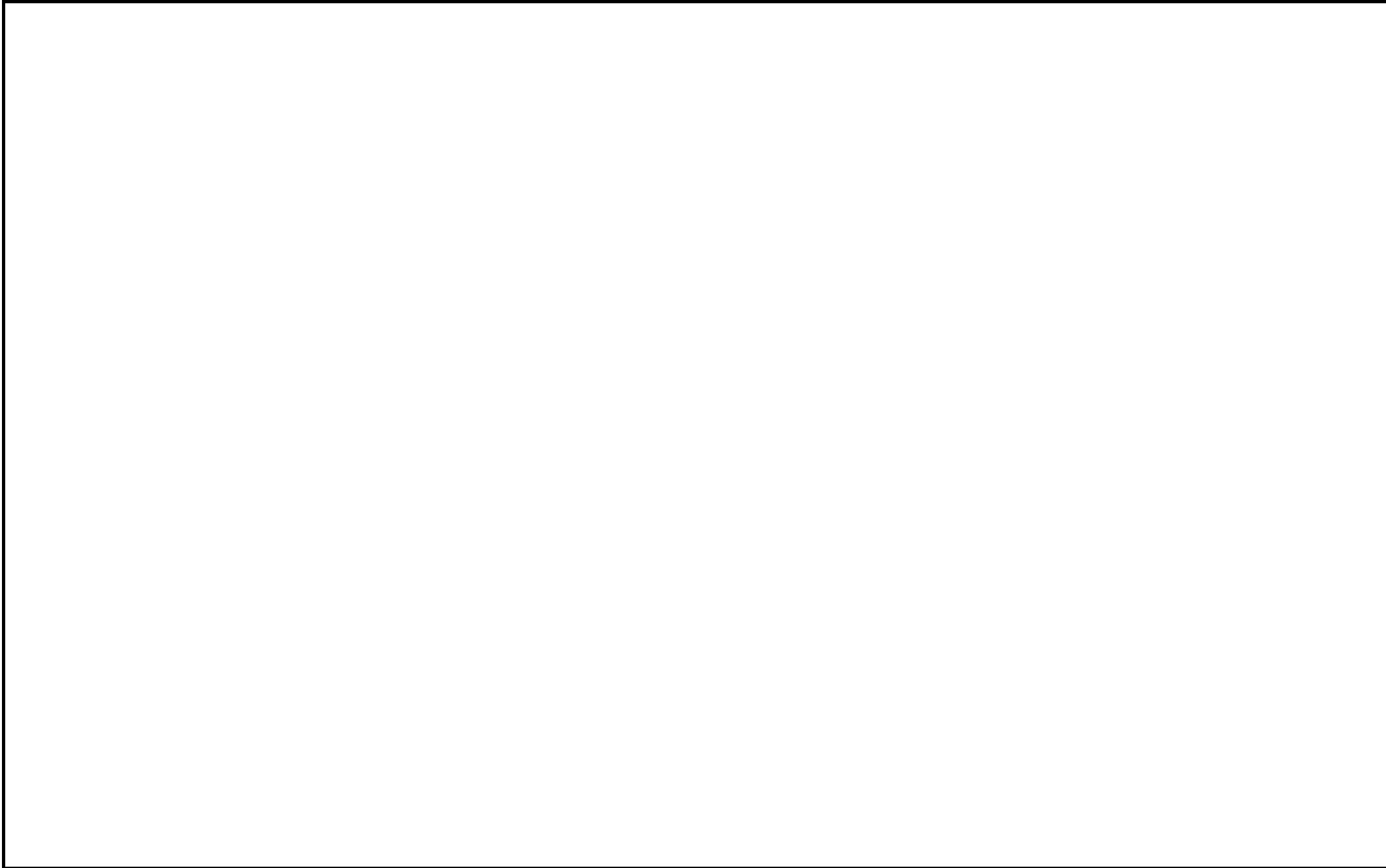


FIG	PART NUMBER	DESCRIPTION	QTY
0	312305	DOCUMENTS BAG 2006	1
0	312313	KTM BALLPOINT ORANGE	1
1	3211477EN	OWN.MAN. 50SX / MINI 2010	1
1	322000	SAFETY BROCHURES SPORTMINICYC.	1
1	3CF6001J4EN	SPM CHASSIS 50 SX 2010	1
1	3CM080256JEN	SPM ENGINE 50 SX 2010	1
29	45229099000	TOOL KIT 50 SX 09	1
30	45103023300	PLUG-IN STAND 50 SEN LC 03	1
34	60029070200	T-WRENCH WS=6/8/10 TX=45 B&F	1
35	50329080100	WRENCH SW=17/21/27/32 B&F	1
36	45229073000	SPARK PLUG WRENCH	1

094522001 / C104522002

* NEW PART

X AS REQUIRED









KTM-Sportmotorcycle AG
A-5230 Mattighofen
www.ktm.at

KTM Group Partner



3CF6001J4EN



Art.Nr.: 3CF6001J4EN 4/2009