

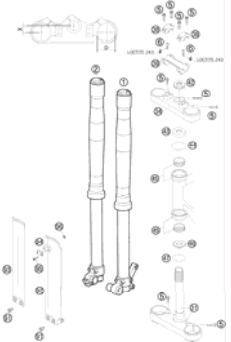
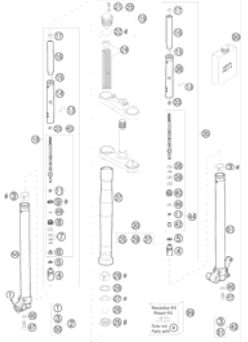
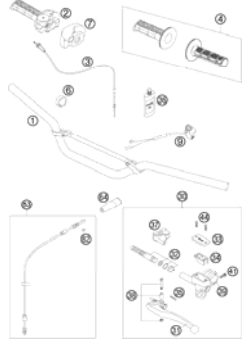
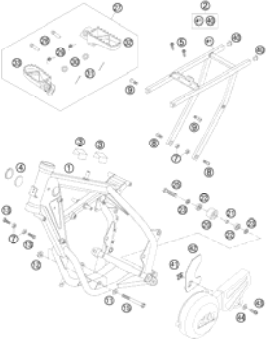
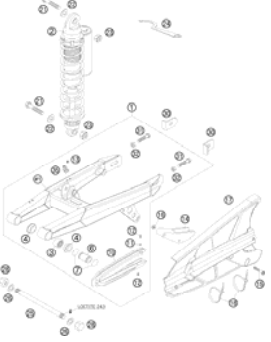
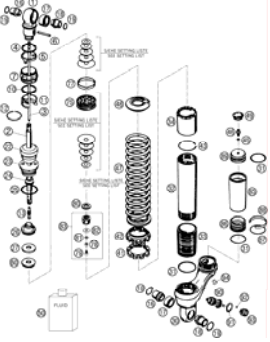

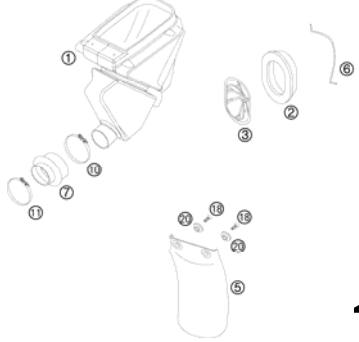
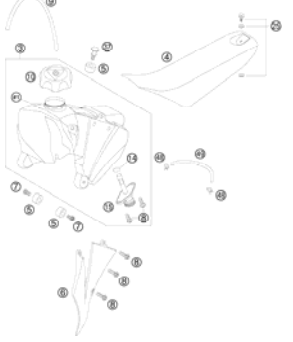
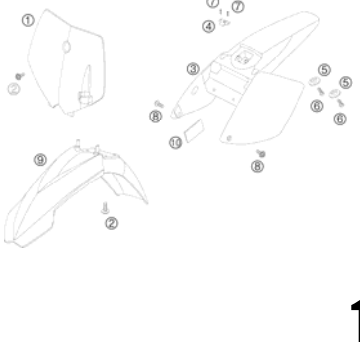

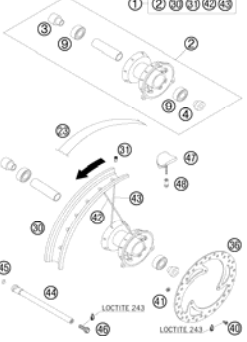
## SPARE PARTS MANUAL: CHASSIS

ART.NO.: 3CF6003H6EN

ENGLISH





|  |   |   |   |
|--|---|---|---|
| <p><b>FRONT FORK</b></p>  <p><b>3</b></p>           | <p><b>FRONT FORK DISASSEMBLED</b></p>  <p><b>4</b></p> | <p><b>HANDLEBAR, CONTROLS</b></p>  <p><b>6</b></p> | <p><b>FRAME</b></p>  <p><b>7</b></p>           |
| <p><b>SWING ARM</b></p>  <p><b>8</b></p>            | <p><b>MONOSHOCK DISASSEMBLED</b></p>  <p><b>9</b></p>  | <p><b>EXHAUST SYSTEM</b></p>  <p><b>11</b></p>     | <p><b>AIR FILTER BOX</b></p>  <p><b>12</b></p> |
| <p><b>TANK, SEAT, COVER</b></p>  <p><b>13</b></p> | <p><b>MASK, FENDERS</b></p>  <p><b>14</b></p>       | <p><b>DECAL</b></p>  <p><b>15</b></p>            | <p><b>FRONT WHEEL</b></p>  <p><b>16</b></p>  |

**REAR WHEEL**

**17**

**HAND BRAKE CYLINDER**

**18**

**REAR BRAKE CONTROL**

**19**

**BRAKE CALIPER FRONT**

**20**

**BRAKE CALIPER REAR**

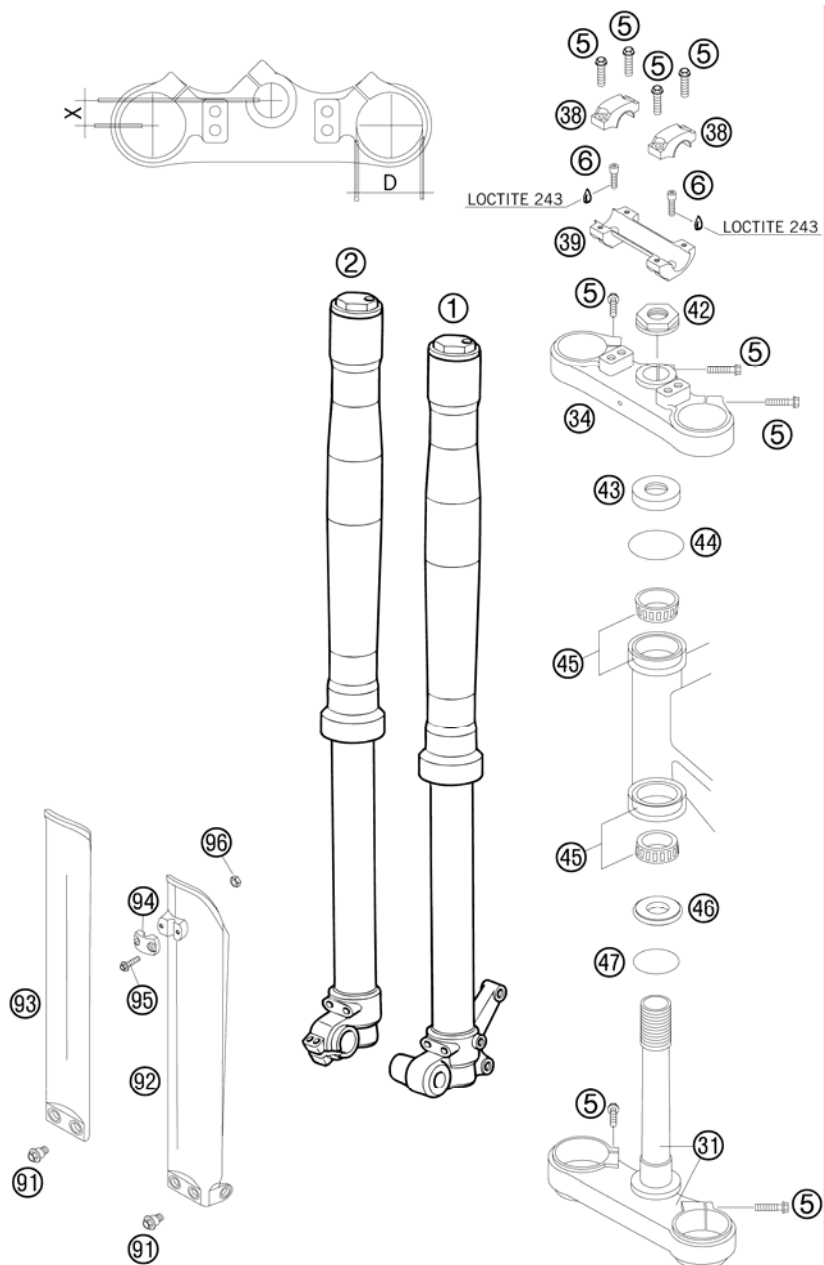
**21**

**ACCESSORIES**

**22**



All information contained is without obligation. KTM-Sportmotorcycle AG particularly reserves the right to modify any equipment, technical specifications, prices, colors, shapes, materials, services, service work, constructions, equipment and the like so as to adapt them to local conditions or to cancel any of the above items, all without previous announcement and without giving reasons. KTM may stop manufacturing certain models without previous notice. KTM shall not be held liable for any deviations of availability and/or ability to deliver, illustrations, descriptions, printing and/or other errors. The illustrated models partly contain extra equipment, which is not applied to standard models. © by KTM-SPORTMOTORCYCLE AG, Mattighofen AUSTRIA; All rights reserved; Reprint, also in extracts, with written allowance of KTM-SPORTMOTORCYCLE AG, Mattighofen only.



| FIG | PART NUMBER | DESCRIPTION                    | QTY |
|-----|-------------|--------------------------------|-----|
| 1   | 7631210/F   | FORK LEG L/S USD 35            | 1   |
| 2   | 7631209/F   | FORK LEG R/S USD 35            | 1   |
| 5   | 0025080306  | HH COLLAR SCREW M8X30 TX40     | 9   |
| 6   | 0912100250  | AH SCREW DIN6912-M10X25,10.9,L | 2   |
| 31  | 77051116    | BOT.TRIPLE CLAMP + FORK TUBE   | 1   |
| 34  | 7501478     | TOP TRIPLE CLAMP               | 1   |
| 38  | 50301038000 | HANDLEBAR CLAMP D=22MM 2001    | 2   |
| 39  | 59001039000 | HANDLEBAR SUPPORT 22MM 2T 2000 | 1   |
| 42  | 59030029000 | HH NUT M20X1,5 WS=27 RIGHT     | 1   |
| 43  | 49001086000 | COVERING CAP                   | 1   |
| 44  | 0770021300  | O-RING 40,94X2,62 NBR70        | 1   |
| 45  | 49001081000 | TAPERED ROLLER BEARING 32004X  | 2   |
| 46  | 46001086000 | PROTECTION RING 20,1X39X5      | 1   |
| 47  | 0770360030  | O-RING 36,00X3,00 NBR          | 1   |
| 91  | 59001092050 | SPECIAL SCREW M6X12,5 WS=8     | 6   |
| 92  | 46101092000 | FORK PROTECTION L/S 65SX 2002  | 1   |
| 93  | 46101093000 | FORK PROTECTION R/S 65SX 2002  | 1   |
| 94  | 54601085000 | BRAKE HOSE CLAMP MARZOCCHI'95  | 1   |
| 95  | 0025050166  | HH COLLAR SCREW M5X16 TX30     | 2   |
| 96  | 0985050003  | SELF LOCKING NUT DIN0985-M 5   | 2   |

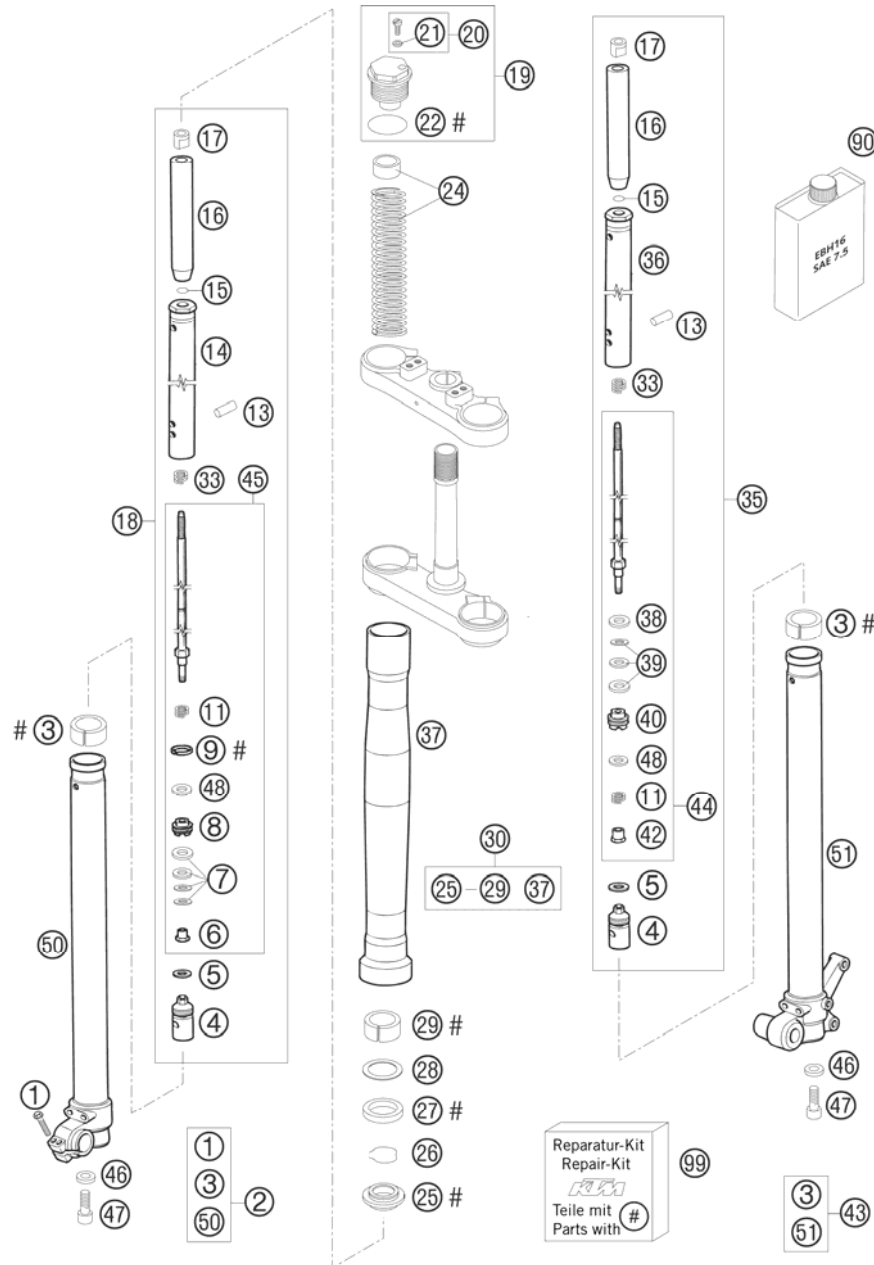
084610110 / C084610112

\* NEW PART

X AS REQUIRED

# FRONT FORK DISASSEMBLED

65 SX EU 2008



| FIG | PART NUMBER | DESCRIPTION                   | QTY |
|-----|-------------|-------------------------------|-----|
| 1*  | 0025060306  | HH COLLAR SCREW M6X30 TX30    | 2   |
| 2   | 7819139/C   | SLIDER + AXLE CLAMP CPL. R/S  | 1   |
| 3   | 7538029     | GUIDE RING D=35               | 2   |
| 4   | 7717065/R   | FOOT VALVE                    | 2   |
| 5   | 7528005     | O-RING D=20,3                 | 2   |
| 6   | 7521092/D   | SPECIAL NUT M6X1 WITH STEP    | 1   |
| 7   | 7517217     | REED VALVE 22X8,1X0,1         | 4   |
| 8   | 7530097/B   | PISTON REBOUND D=26           | 1   |
| 9   | 7524163     | PISTON RING D=26              | 1   |
| 11  | 75141087    | LOWER REBOUND SPRING          | 2   |
| 13  | 75321033    | PIN 8X30                      | 2   |
| 14  | 75181140/R  | TUBE BODY R/S                 | 1   |
| 15  | 7523224     | STOP RING 10X1                | 2   |
| 16  | 75181153    | GUIDE BUSH 6,4X12X12          | 2   |
| 17  | 7521005     | SPECIAL NUT                   | 2   |
| 18  | 78031082    | REBOUND CPL.                  | 1   |
| 19  | 7701196     | PLUG CPL.                     | 2   |
| 20  | 7850208AR   | LENTIL HEAD SCREW M4X6        | 2   |
| 21  | 7528180     | O-RING D=3,69, S=1,78         | 2   |
| 22  | 7528008     | O-RING D=34,6, S=1,78         | 2   |
| 24  | 7850728     | SPRINGS + PRELOAD SLEEVES KIT | 1   |
| 25  | 7533167     | DUST CAP                      | 2   |
| 26  | 7523236     | LOCK WASHER D=51,5            | 2   |
| 27  | 7528034     | OIL SEAL 35X47X10             | 2   |
| 28  | 7539032AA   | WASHER 36X47X3                | 2   |
| 29  | 7538038/A   | GUIDE RING 35X15              | 2   |
| 30  | 7760069FN/C | OUTER TUBE CPL.               | 2   |
| 33  | 7514077     | TOP REBOUND SPRING            | 2   |
| 35  | 78031083    | COMPRESSION CPL.              | 1   |
| 36  | 75181139/R  | TUBE BODY L/S                 | 1   |
| 38  | 7535099     | COMPRESSION DAMPING SHIM      | 1   |
| 39  | 7517028     | SHIM 8,1X23X0,2               | 1   |
| 39  | 7517039     | SHIM 8,1X22X0,2               | 1   |
| 39  | 7517060     | SHIM 8,1X22X0,3               | 1   |
| 40  | 7530090/B   | PISTON COMPRESSION D=26       | 1   |
| 42  | 7521147/A   | SPECIAL NUT M6X1 WITH STEP    | 1   |

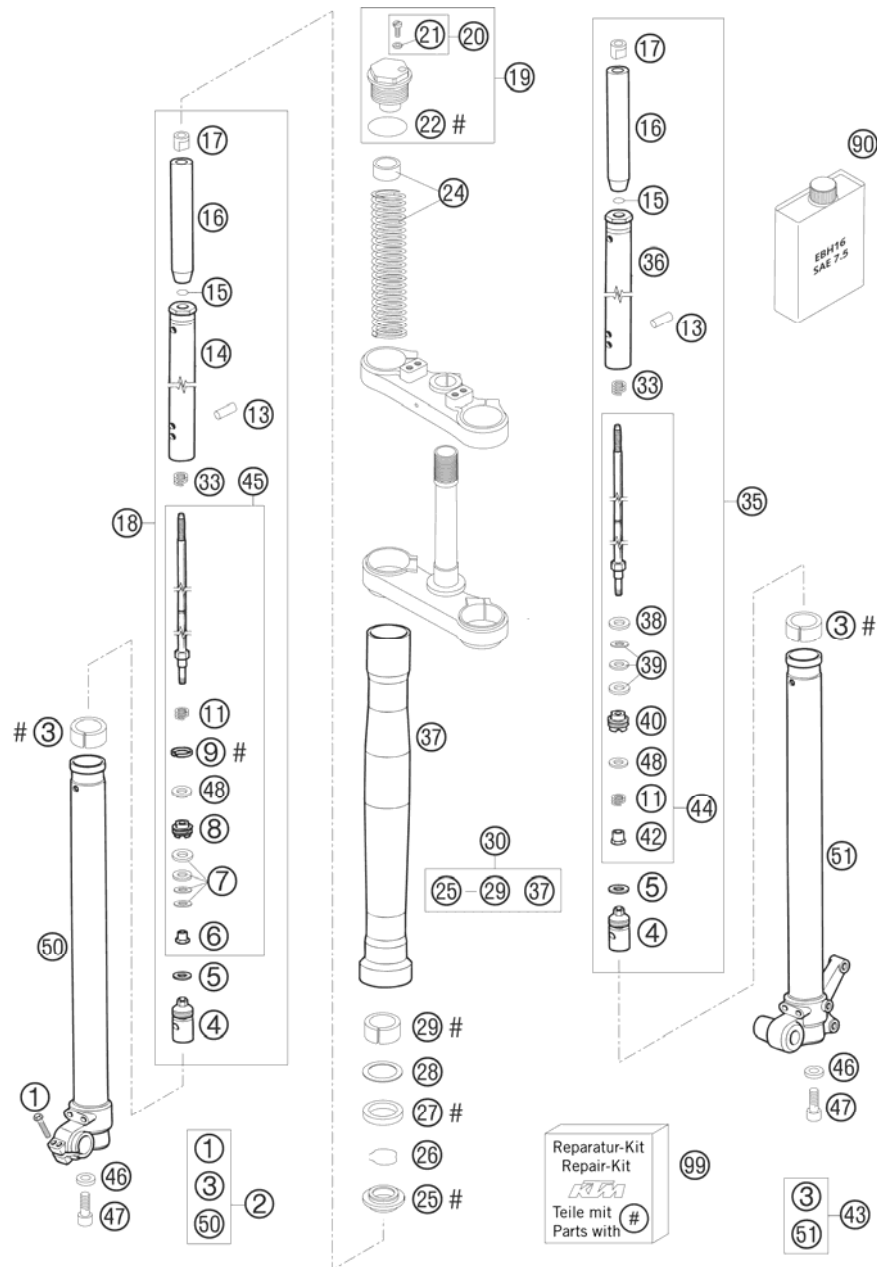
084610130 / C084610130

\* NEW PART

X AS REQUIRED

# FRONT FORK DISASSEMBLED

65 SX EU 2008



| FIG | PART NUMBER | DESCRIPTION                  | QTY |
|-----|-------------|------------------------------|-----|
| 43  | 7819140/C   | SLIDER + AXLE CLAMP CPL. L/S | 1   |
| 44  | 7309651/R   | COMPRESSION CARTRIDGE CPL.   | 1   |
| 45  | 7309652/R   | REBOUND CARTRIDGE CPL.       | 1   |
| 46  | 7522061     | SHIM 8X12X1,5                | 2   |
| 47  | 0912080253  | AH SCREW DIN0912-M 8X25      | 2   |
| 48  | 7517044     | SHIM 8,1X23X0,3              | 2   |
| 90  | 7550013     | FORKOIL EBH16 SAE 7.5        | 1   |
| 99  | 7850731/C   | REPAIR-KIT USD 35            | 1   |

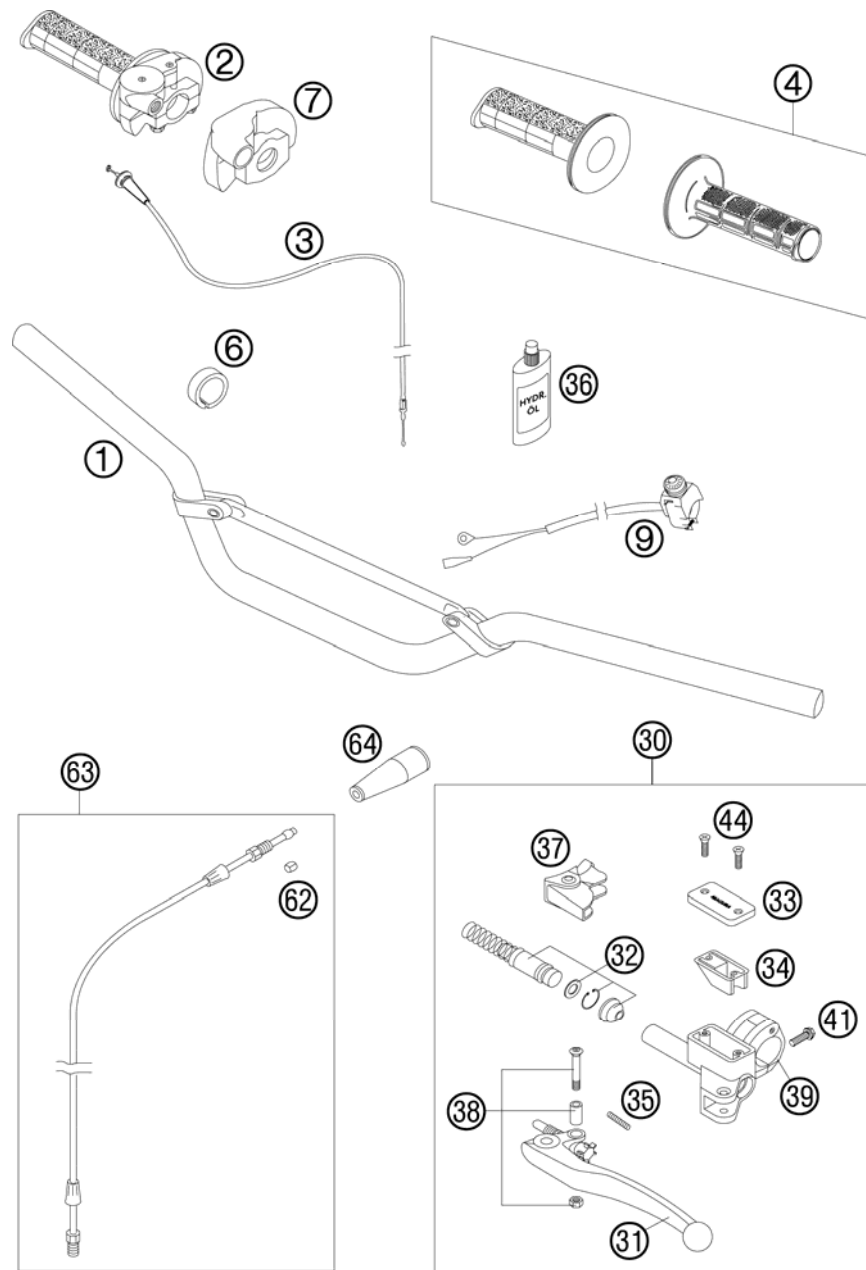
084610130 / C084610130

\* NEW PART

X AS REQUIRED

# HANDLEBAR, CONTROLS

65 SX EU 2008



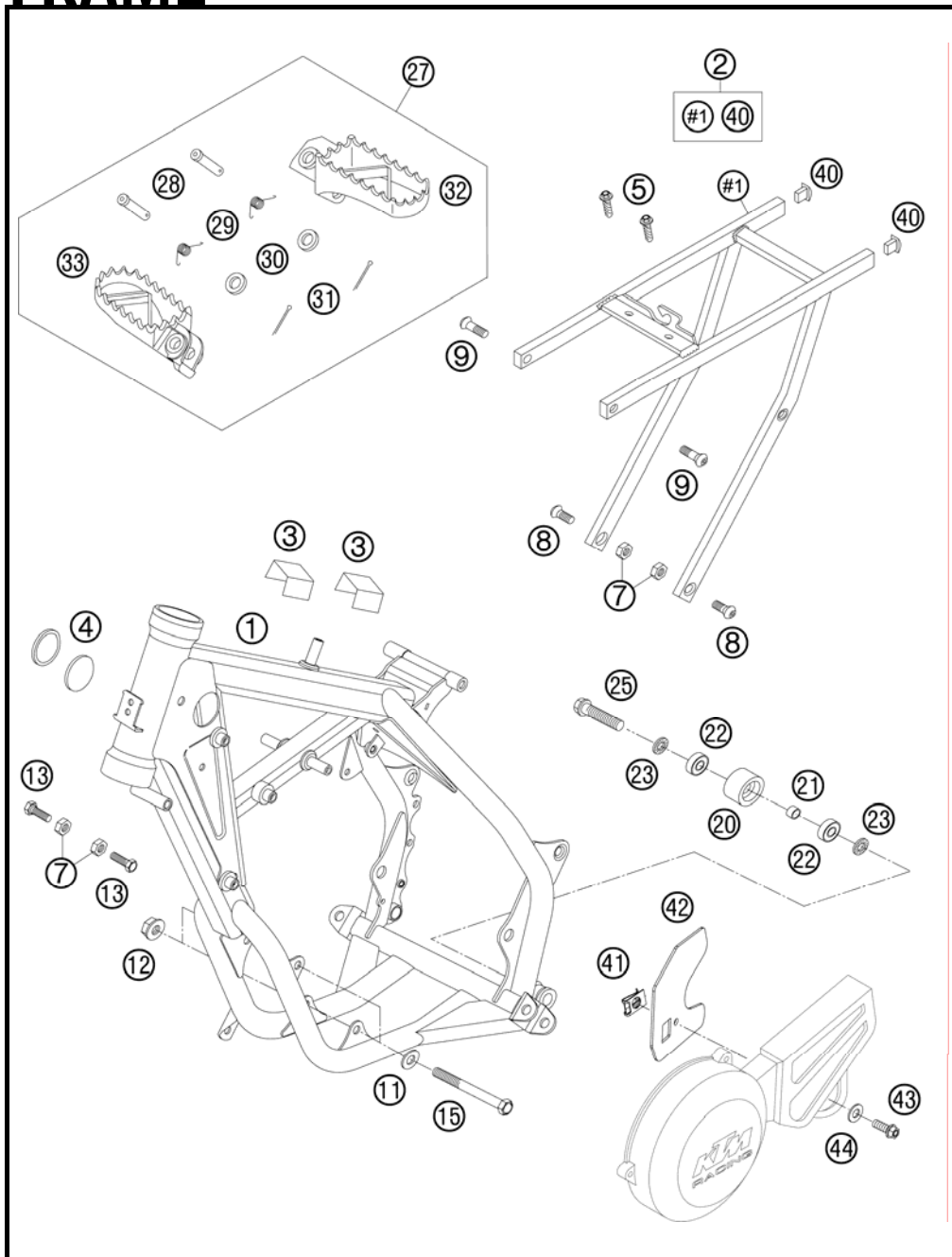
| FIG | PART NUMBER | DESCRIPTION                    | QTY |
|-----|-------------|--------------------------------|-----|
| 1   | 46102001200 | HANDLEBAR 65 SX 2005           | 1   |
| 2   | 46102010000 | THROTTLE GRIP W.COVER 65 SX 02 | 1   |
| 3   | 46102091000 | THROTTLE CABLE DOMINO 65 SX 02 | 1   |
| 4   | 50202021000 | GRIPP SET                      | 1   |
| 6   | 46002012000 | SPACER BUSHING 21,5X28X7,5     | 1   |
| 7   | 50302020000 | PROTECTION COVER '97           | 1   |
| 9   | 50311089200 | SHORT CIRCUIT BUTTON 02        | 1   |
| 30  | 46102030100 | MASTER CYLINDER CPL. D=9MM 05  | 1   |
| 31  | 54602031000 | CLUTCH LEVER SHORT CPL. 2003   | 1   |
| 31  | 59002031000 | CLUTCH LEVER LONG CPL. 2003    | x   |
| 32  | 59002032100 | REP.KIT PISTON 9,0MM RAC. 2004 | 1   |
| 33  | 50302033100 | COVER HYD.CLUTCH 2T 2000       | 1   |
| 34  | 50302034000 | RUBBER FOR RESERVOIR '98       | 1   |
| 35  | 59002035000 | SPRING FOR CLUTCH LEVER 03     | 1   |
| 36  | 50302036200 | OIL FOR HYD. CLUTCH 75ML       | 1   |
| 37  | 50302037000 | PROTECT.CAP FOR LEVER PERCH'98 | 1   |
| 38  | 50302038000 | LEVER SCREW CPL. 125-200 '98   | 1   |
| 39  | 50302030150 | CLAMP WITH PIN 2000            | 1   |
| 41* | 0025060206  | HH COLLAR SCREW M6X20 TX30     | 1   |
| 44  | 0965040123  | FLAT HEAD SCREW DIN0965-M 4X12 | 2   |
| 62  | 50332063050 | SELF CUTTING RING HYDR.PIPE    | x   |
| 63  | 46132063000 | PIPE KIT FOR HYDR.CLUTCH 65 SX | 1   |
| 64  | 54002016000 | PROTECTION CAP                 | 1   |

084610210 / C084610210

\* NEW PART

X AS REQUIRED





| FIG | PART NUMBER    | DESCRIPTION                   | QTY |
|-----|----------------|-------------------------------|-----|
| 1   | 4610300120030  | FRAME 65 SX "MD6R" bl. 2007   | 1   |
| 2   | 46103002044    | SUB FRAME 65 SX 2002          | 1   |
| 3   | 58711054050    | METAMOLL FOR BATTERY BRACKET  | 2   |
| 4   | 54606004000    | PLUG 37MM                     | 2   |
| 5   | 0017060203     | EJOT PT SCREW K60X20 WS=6     | 2   |
| 7   | 0934080003     | HEXAGON NUT DIN0934-M 8       | 4   |
| 8   | 54610052000    | SPROCKET SCREW-AH M8X20 WS=6  | 2   |
| 9   | 54510052100    | SPROCKET SCREW-AH M8X26 WS=6  | 2   |
| 11  | 0125080003     | WASHER DIN0125-A 8,4          | 2   |
| 12  | 54310086200    | SELF LOCKING NUT M8 10.9      | 2   |
| 13  | 59001037000    | SPECIAL SCREW M8X26 WS=10     | 2   |
| 15  | 0931080805     | HH SCREW DIN 931 M8X80 10.9   | 2   |
| 20  | 50203053000    | CHAIN ROLL D=30MM             | 1   |
| 21  | 74003021000    | BUSHING 8.2 X 12 X 6          | 1   |
| 22  | 0625006087     | GROOVED BALL BEAR. 608 2RS C3 | 2   |
| 23  | 36003014000    | LOCK WASHER 8MM               | 2   |
| 25* | 0025080306     | HH COLLAR SCREW M8X30 TX40    | 1   |
| 27  | 4610304013390A | FOOTREST L.+R. CPL. 65 SX 03  | x   |
| 28  | 54803044000    | BOLT FOR FOOT PED 03          | 2   |
| 29  | 54603041000    | FOOTREST SPRING L/S & R/S     | 2   |
| 30  | 0125100003     | WASHER DIN0125-A10,5          | 2   |
| 31  | 0094032253     | PIN DIN0094-3,2X25 STEEL      | 2   |
| 32  | 5460304010090  | FOOT PED L/S SILVER '98       | 1   |
| 33  | 59003041050    | FOOT PED R/S EXC SILVER 2000  | 1   |
| 40  | 50303002182    | PLUG-IN CAP SW14 99           | 2   |
| 41* | 54603048100    | RANGE CHANGE METAL NUT M6     | 1   |
| 42* | 46103096000    | CHAIN GUARD 08                | 1   |
| 43* | 0025060166     | HH COLLAR SCREW M6X16 TX30    | 1   |
| 44* | 0125060003     | WASHER DIN0125-A 6,4          | 1   |

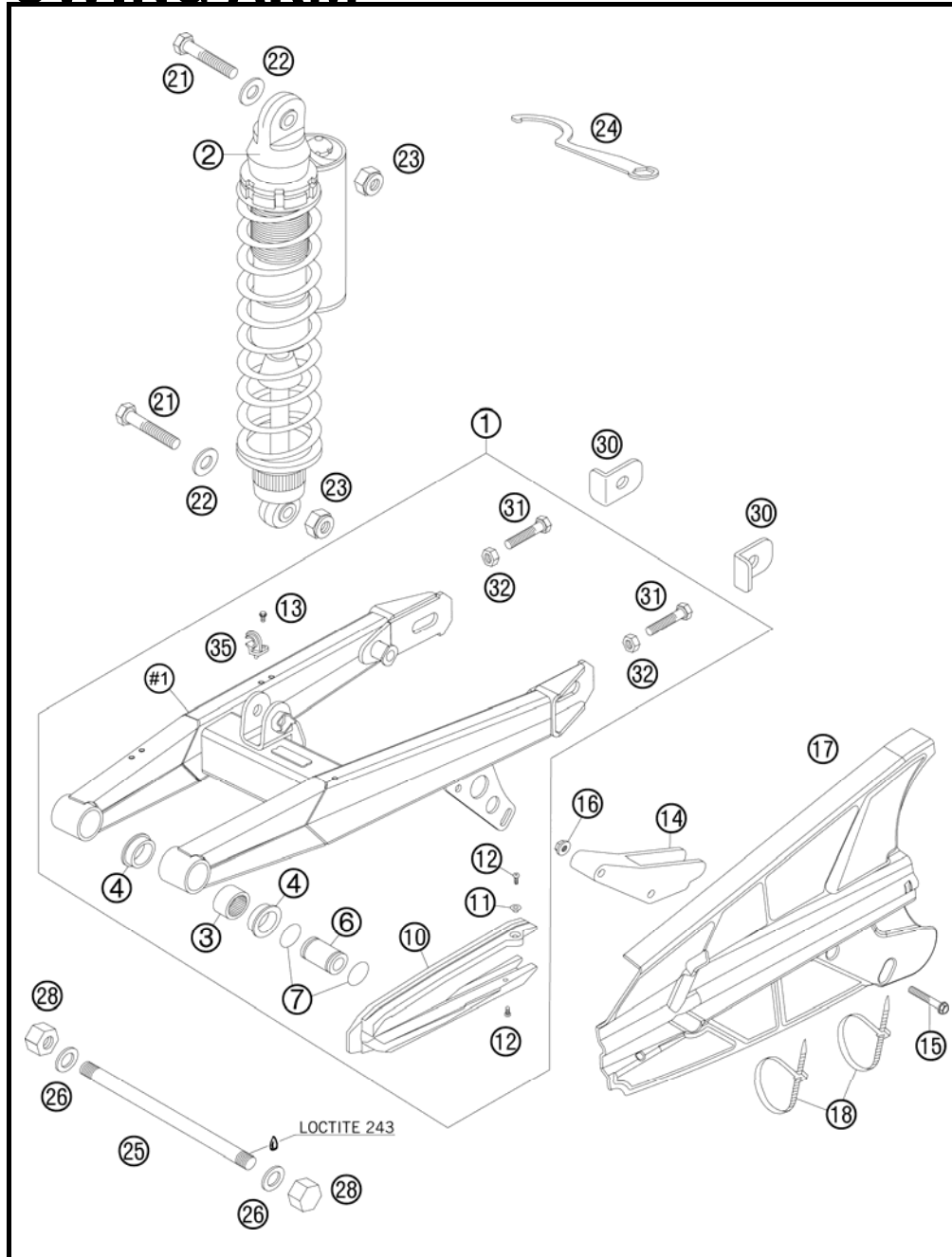
084610312 / C084610312

\* NEW PART

X AS REQUIRED

# SWING ARM

65 SX EU 2008



| FIG | PART NUMBER | DESCRIPTION                    | QTY |
|-----|-------------|--------------------------------|-----|
| 1*  | 46104030144 | SWING ARM CPL. 65 SX 2008      | 1   |
| 2*  | 03187D03    | MONOSHOCK 65SX 2008            | 1   |
| 3   | 54603097000 | NEEDLE BUSH HK 2016            | 2   |
| 4   | 46004030070 | SPACER BUSHING 20X26X30X9,7    | 4   |
| 6   | 46004030071 | BUSHING BOX 12X20X36,5         | 2   |
| 7   | 0770160021  | O-RING 16,00X2,00 VITON        | 4   |
| 10  | 46104066000 | CHAIN SLID. GUARD FRO. 65SX 02 | 1   |
| 11  | 46104066050 | BUSH FOR CHAIN SLIDER GUARD 02 | 1   |
| 12  | 0010050103  | SPECIAL SCREW M 5,0X10         | 2   |
| 13  | 0009050103  | SPECIAL SCREW M 5,0X10         | 2   |
| 14  | 46007066000 | CHAIN GUIDE REAR 60/65 '98     | 1   |
| 15* | 0025060406  | HH COLLAR SCREW M6X40 TX30     | 2   |
| 16  | 56509064100 | SELF LOCKING NUT M6 10.9       | 2   |
| 17* | 46104061000 | CHAIN GUARD 08                 | 1   |
| 18* | 44011076305 | CABLE TIE 300/4,8MM BLACK      | 2   |
| 21  | 0931100453  | HH SCREW DIN0931-M10X45        | 2   |
| 22  | 0125100003  | WASHER DIN0125-A10,5           | 2   |
| 23  | 54310086100 | SELF LOCKING NUT M10 CU WS=14  | 2   |
| 24  | 46012024000 | HOOK WRENCH FOR SHOCK ABSORBER | 1   |
| 25  | 46004037000 | SWINGARM BOLT 201MM M12X1      | 1   |
| 26  | 0125120003  | FLAT WASHER DIN0125-A13        | 2   |
| 28  | 0917120103  | NUT DIN917-M12X1               | 2   |
| 30  | 46010083000 | CHAIN ADJUSTER 60/65 '98       | 2   |
| 31* | 50203030090 | HH SCREW M8X40 WS=10           | 2   |
| 32* | 0934080003  | HEXAGON NUT DIN0934-M 8        | 2   |
| 35  | 54611076100 | RETAIN.CLAMP FOR BRAKE HOSE'96 | 2   |

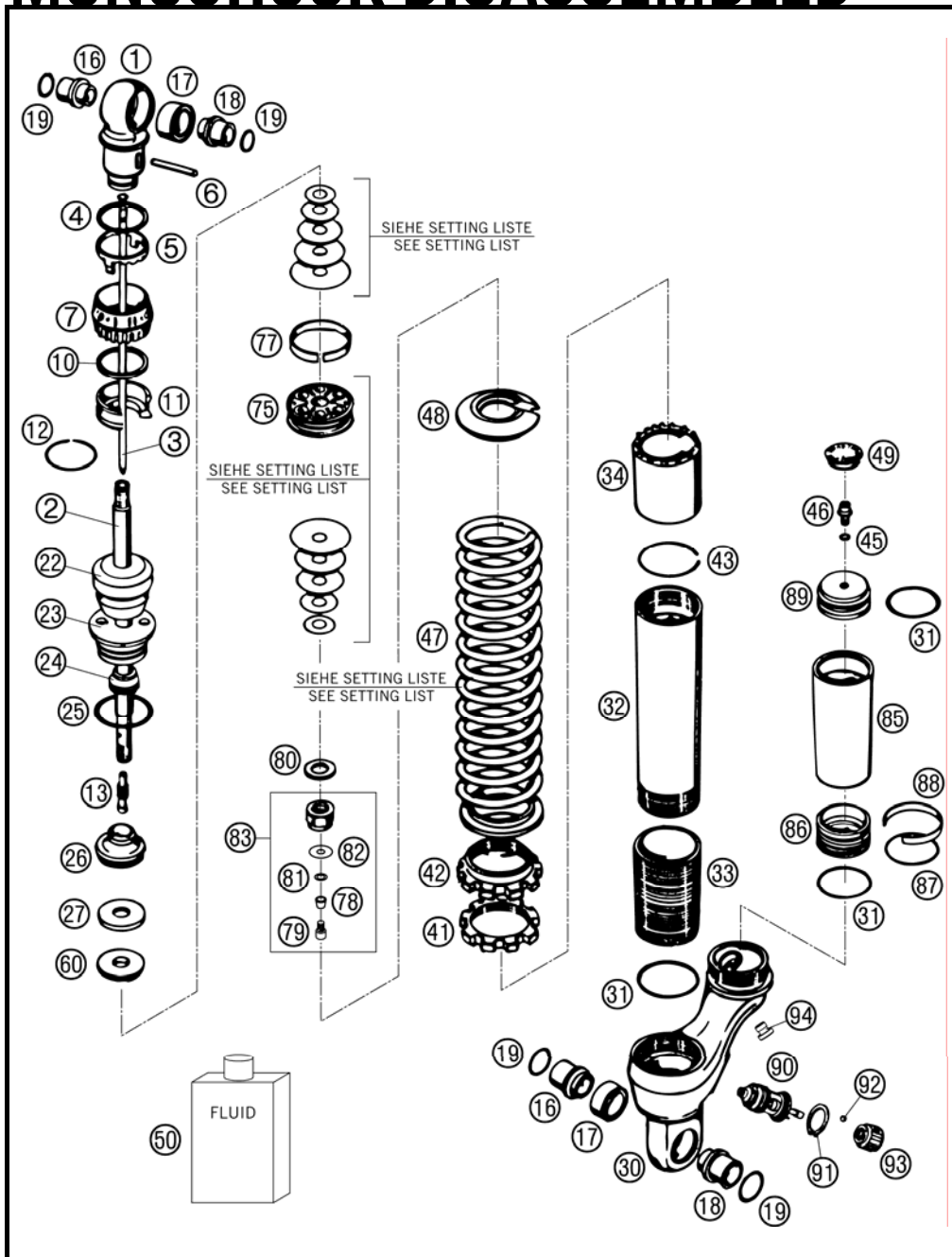
084610412 / C084610412

\* NEW PART

X AS REQUIRED

# MONOSHOCK DISASSEMBLED

65 SX EU 2008



| FIG | PART NUMBER | DESCRIPTION                    | QTY |
|-----|-------------|--------------------------------|-----|
| 1   | 46811525    | SHOCK ABS. BOTTOM L=46         | 1   |
| 2   | 36120586S   | PISTON ROD D=14, L=126         | 1   |
| 3   | 46811401S   | NEEDLE CPL. D=4, L=142         | 1   |
| 4   | 46811222    | O-RING 36X0,5                  | 1   |
| 5   | 46811263    | WASHER                         | 1   |
| 6   | 46811261    | PIN 4X35                       | 1   |
| 7   | 46811262    | ADJ. KNOB D=41                 | 1   |
| 10  | 46811221    | O-RING 35X3                    | 1   |
| 11  | 46811367    | INTERMEDIATO RING H=4          | 1   |
| 12  | 46811268    | CIRCLIP 22X1,2                 | 1   |
| 13  | 46811259    | NEEDLE SEAT 5X17,25            | 1   |
| 16  | 46811076    | ADAPTOR BUSH KGW 10X20         | 2   |
| 17  | 46811027    | BUSHING KGW 1525               | 2   |
| 18  | 46811077    | ADAPTOR BUSH KGW 10X22         | 2   |
| 19  | 46811050    | SEAL KGW                       | 4   |
| 22  | 36120135    | BUMP RUBBER WP65 RED           | 1   |
| 23  | 36120650    | SCREW CAP M37,65 STEEL         | 1   |
| 24  | 46811044    | DUST SEAL 1424                 | 1   |
| 25  | 36120064    | O-RING NBR 29,74X3,53          | 1   |
| 26  | 36120522S1  | ADAPTER CPL. D=36 H=20,5       | 1   |
| 27  | 36120469    | SHIM 28,5X14X2                 | 1   |
| 30  | 36120726    | SHOCK ABSORB.CASE PGB KGW H=33 | 1   |
| 31  | 0770380020  | O-RING 38,00X2,00 NBR 70 SH    | 3   |
| 32  | 36120137    | TUBE L=167                     | 1   |
| 33  | 36120019    | THREADED BUSH L=70 BLACK       | 1   |
| 34  | 36120467    | PROTECTION SLEEVE L=40         | 1   |
| 41  | 36120015    | COUNTERNUT                     | 1   |
| 42  | 36120418    | ADJUSTING NUT                  | 1   |
| 43  | 40540015    | CIRCLIP 38X1,5                 | 1   |
| 45  | 46810893    | O-RING NBR 5,28X1,78           | 1   |
| 46  | 36120151    | SCREW PLUG M5X6                | 1   |
| 47  | 93010181S   | SPRING 40N/MM 40-220 220MM ORA | 1   |
| 47  | 93010182S   | SPRING 35N/MM 35-220 220MM ORA | x   |
| 47  | 93010183S   | SPRING 45N/MM 45-220 220MM ORA | x   |
| 48  | 36120386    | SPRING RET. H=3, D=14,5        | 1   |
| 49  | 46811208    | RUBBER CAP "DO NOT OPEN"       | 1   |

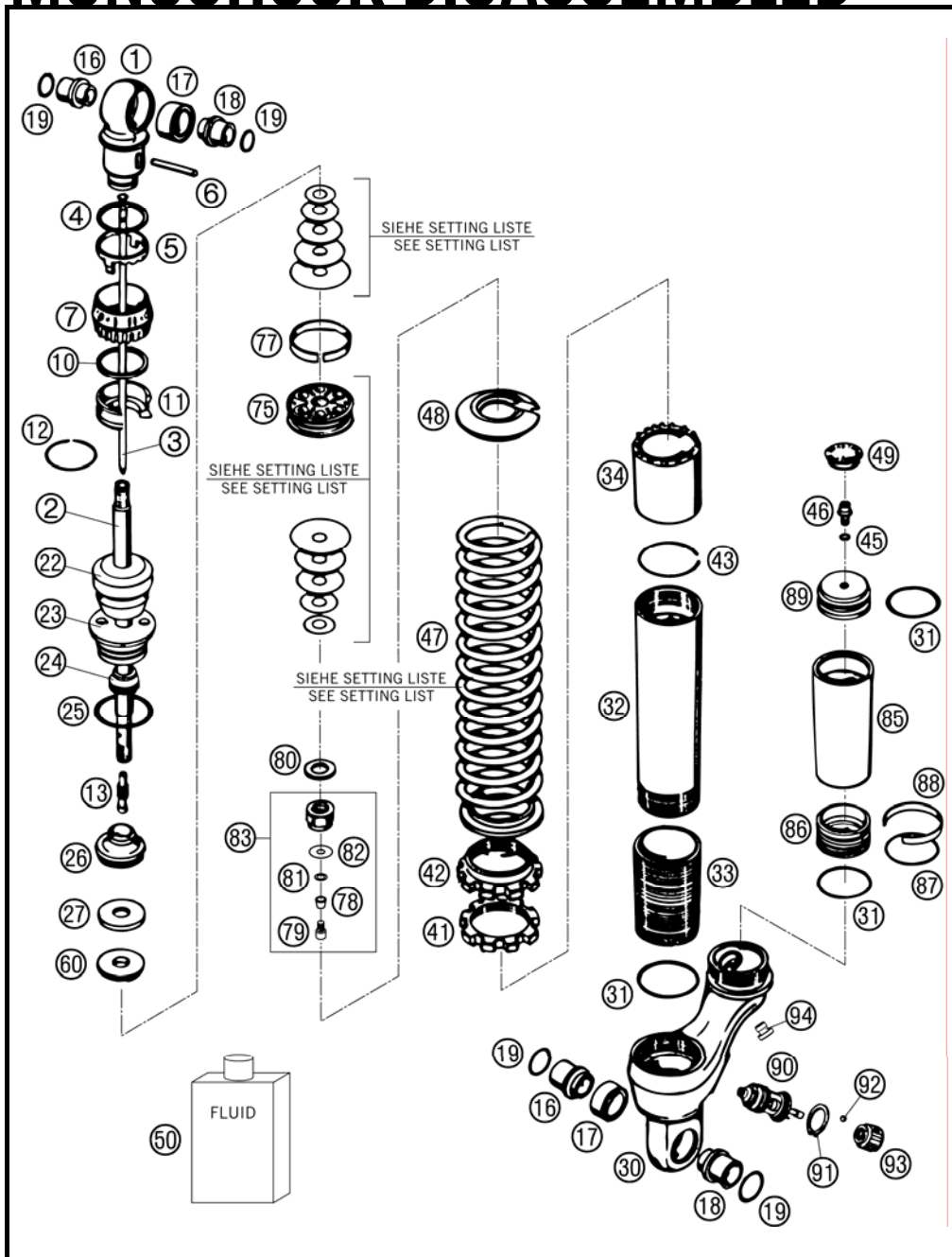
084610430 / C084610430

\* NEW PART

X AS REQUIRED

# MONOSHOCK DISASSEMBLED

65 SX EU 2008



| FIG | PART NUMBER | DESCRIPTION                    | QTY |
|-----|-------------|--------------------------------|-----|
| 50  | 50180342S1  | SHOCK ABSORBER FLUID 5 LT '03  | 1   |
| 60  | 36120557    | REBOUND BUSH H=5,6             | 1   |
| 75  | 36120603    | PISTON 6+6XD=5,5/3,5 BA        | 1   |
| 77  | 36120040    | PISTON RING 8X1X108,3          | 1   |
| 78  | 46811267    | BUSHING 6X9X3                  | 1   |
| 79  | 46811251    | BLEED SCREW M 4X6              | 1   |
| 80  | 36120604    | SHIM D10XD22X2,5               | 1   |
| 81  | 40540450    | SHIM 6X9,5X0,3                 | 1   |
| 82  | 40540403    | SHIM 6X18X0,1                  | 4   |
| 83  | 36120605S2  | PISTON ROD NUT CPL. H=15,2     | 1   |
| 85  | 36120631    | RESERVOIR SCREW L=98 GREY      | 1   |
| 86  | 36120024    | SEPARATION PISTON D=42         | 1   |
| 87  | 36120466    | O-RING VITON 32X5              | 1   |
| 88  | 46810022    | PISTON RING 3,9X1,5X124        | 1   |
| 89  | 36120552    | SCREW FOR RESERVOIR CAP M5     | 1   |
| 90  | 46810850S7  | CC-COMPRE.DAMPING CONTROL CPL. | 1   |
| 91  | 46810334    | LOCK WASHER JV24               | 1   |
| 92  | 46810333    | STEEL-BALL D=4,75              | 1   |
| 93  | 50180131S   | ADJUSTING KNOB CC-MECH. CPL.   | 1   |
| 94  | 50180095    | BLEED PLUG R 1/8               | 1   |

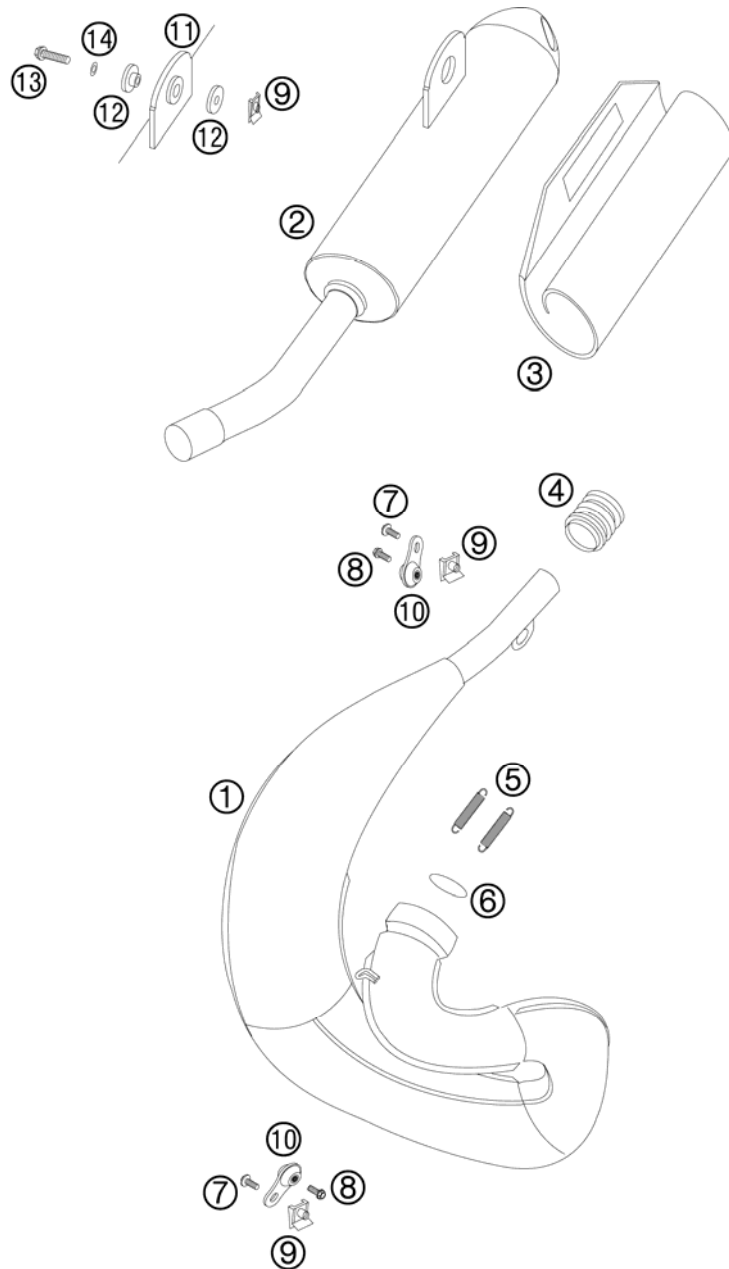
084610430 / C084610430

\* NEW PART

X AS REQUIRED

# EXHAUST SYSTEM

65 SX EU 2008

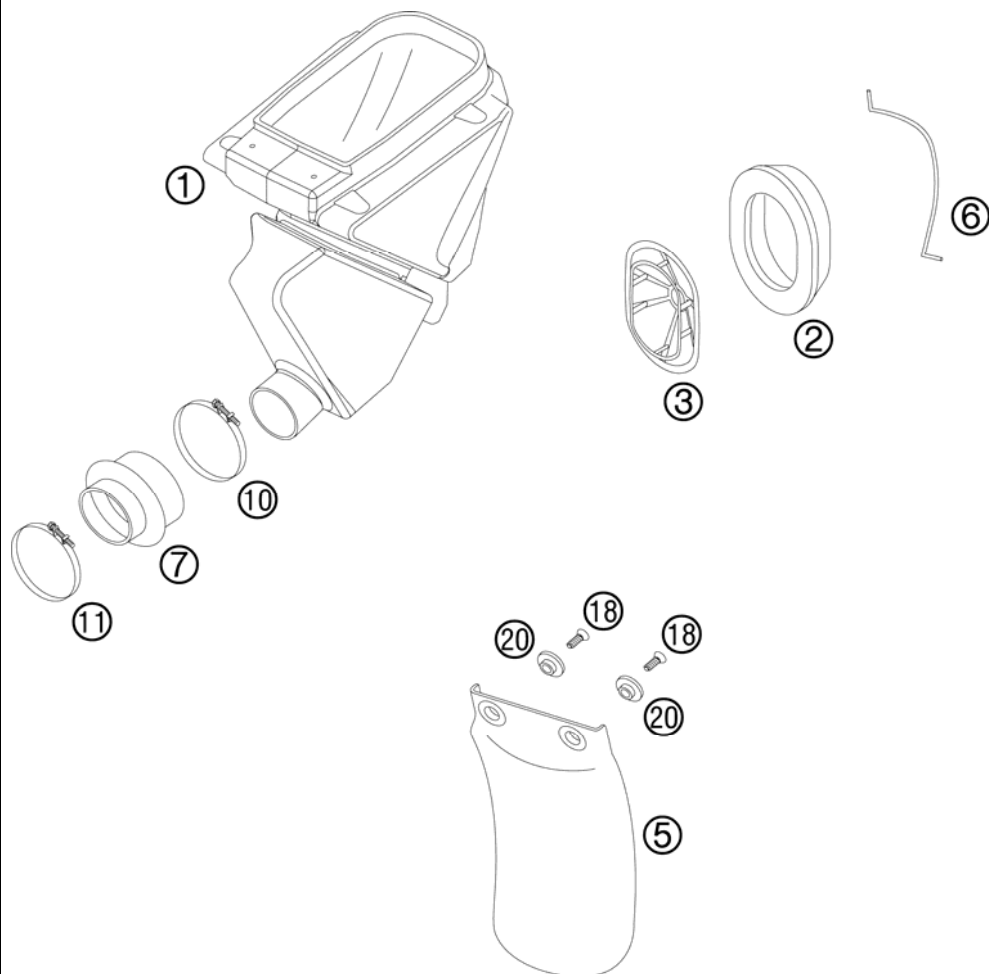


| FIG | PART NUMBER | DESCRIPTION   | QTY |
|-----|-------------|---|-----|
| 1   | 46105007000 | EXHAUST PIPE 65 SX 2002                             | 1   |
| 2   | 46105079100 | MAIN SILENCER 65 SX 2006                            | 1   |
| 3   | 45105079056 | ROCKWOOL PREFOMED 50 2002<br>110 GRAMM TOTAL WEIGHT | 1   |
| 4   | 54605057000 | RUBBER SLEEVE D=21MM/23MM '93                       | 1   |
| 5   | 50305016000 | TEN.SPRING L=62MM EY.MOVEABLE                       | 2   |
| 6   | 0770350030  | O-RING 35,00X3,00 VITON                             | 1   |
| 7*  | 0024060156  | HH COLLAR SCREW M6X15 TX30                          | 2   |
| 8*  | 0025060166  | HH COLLAR SCREW M6X16 TX30                          | 2   |
| 9   | 54603048100 | RANGE CHANGE METAL NUT M6                           | 3   |
| 10  | 50305012000 | SWINGELEMENT FOR EXHAUST PIPE                       | 2   |
| 11  | 54605068000 | EXHAUST BRACKET RUBBER BLACK                        | 1   |
| 12  | 54605069000 | BUSHING 7,5X12X28X7,8 '96                           | 2   |
| 13* | 0025060306  | HH COLLAR SCREW M6X30 TX30                          | 1   |
| 14  | 0137060003  | SPRING WASHER DIN0137-B 6                           | 1   |

084610511 / C084610511

\* NEW PART

X AS REQUIRED



| FIG | PART NUMBER   | DESCRIPTION                    | QTY |
|-----|---------------|--------------------------------|-----|
| 1*  | 46106001000 A | AIR FILTER BOX 65XC 2008       | 1   |
| 2   | 58406015100   | AIRFILTER                      | 1   |
| 3   | 58406016000   | FILTER CARRIER '97             | 1   |
| 5   | 46006010000   | SPLASH PROTECTOR 60/65 SX '98  | 1   |
| 6   | 46106017000   | HOLDING HANGER FOR FILTER 2002 | 1   |
| 7   | 46006026000   | CARBURETOR CONNECTING BOOT     | 1   |
| 10  | 46005058000   | HOSE CLAMP 40-60MM             | 1   |
| 11  | 45007027000   | HOSE CLAMP 32-50MM W=5MM       | 1   |
| 18  | 0017060203    | EJOT PT SCREW K60X20 WS=6      | 2   |
| 20  | 46106006000   | BUSH FOR SPLASH PROTECTOR 2002 | 2   |

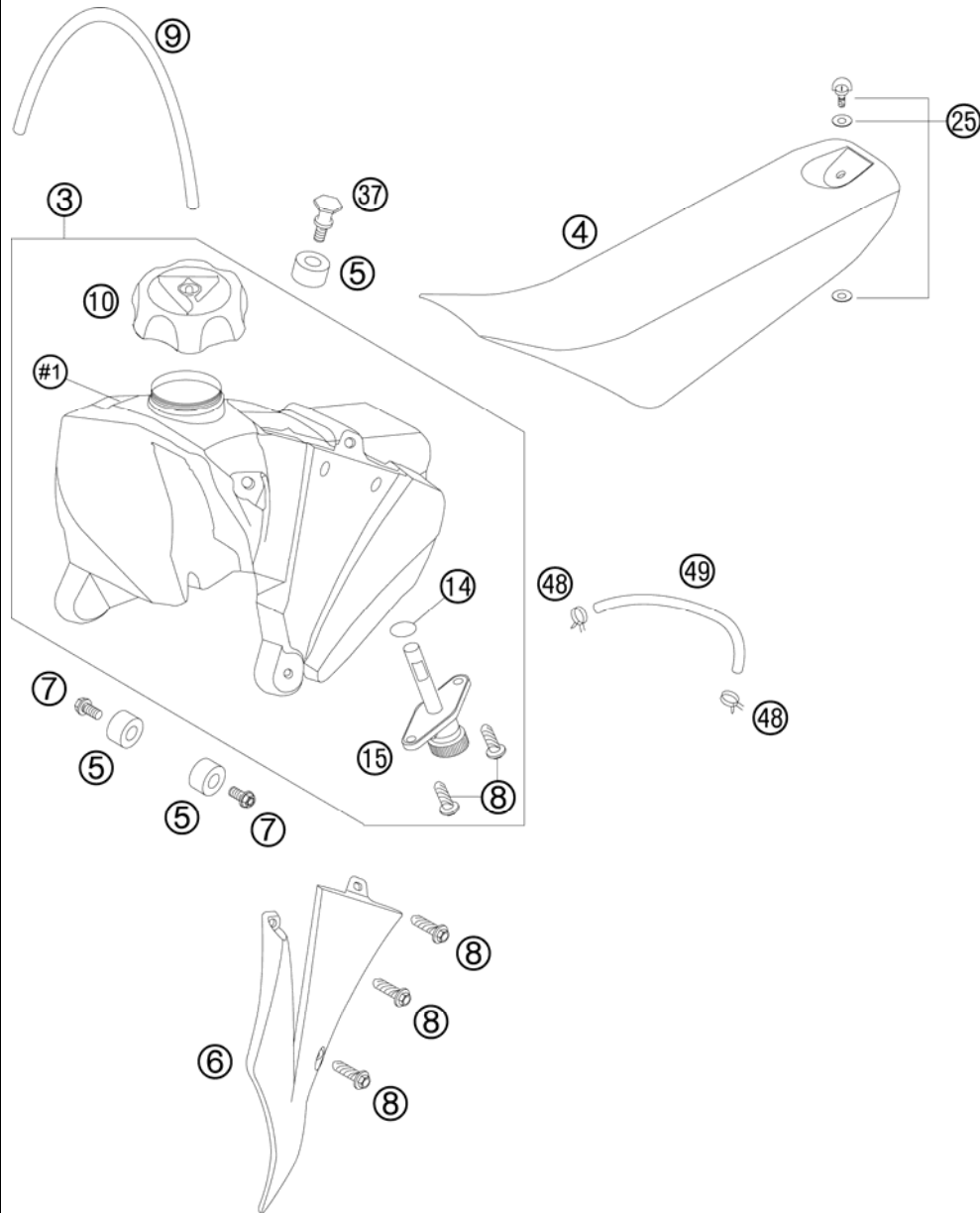
084610611 / C084610611

\* NEW PART

X AS REQUIRED

# TANK, SEAT, COVER

65 SX EU 2008

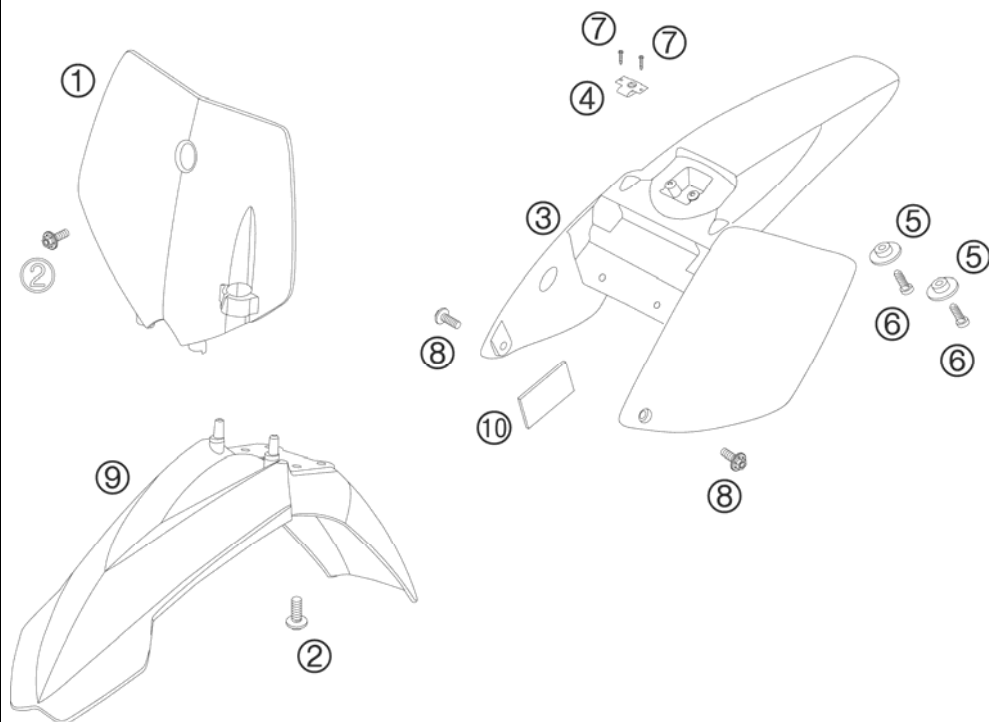


| FIG | PART NUMBER    | DESCRIPTION                    | QTY |
|-----|----------------|--------------------------------|-----|
| 3   | 4610701300030  | FUEL TANK CPL. 65 SX bl. 2007  | 1   |
| 4   | 46107040200    | SEAT 65 SX 2005                | 1   |
| 5   | 50307014000    | TANK ROLLER 12X26X12 '98       | 3   |
| 6*  | 4610805000004A | SPOILER L/S WITH DECAL 08      | 1   |
| 6*  | 4610805100004A | SPOILER R/S WITH DECAL 08      | 1   |
| 7*  | 0025060126     | HH COLLAR SCREW M6X12 TX30     | 2   |
| 8   | 0017060203     | EJOT PT SCREW K60X20 WS=6      | 8   |
| 9   | 50332095200    | TUBE RUBBER 6X9 DVOH 200MM     | 1   |
| 10  | 49007008044    | FILLER CAP CPL. SMALL          | 1   |
| 14  | 55007006200    | O-RING 11X1,8 NBR 70           | 1   |
| 15  | 58507003000    | FUEL COCK CPL. SMALL RALLYE'96 | 1   |
| 25  | 45007040051    | QUICK RELEASE CPL. 50 SXR '97  | 1   |
| 37  | 45107011000    | TANK SCREW MINI 50 2001        | 1   |
| 48  | 58007117000    | YDNAC-CLAMP 10107 10MM         | 2   |
| 49  | 50307016000    | FUEL PREFORMED HOSE SX 2001    | 1   |

084610710 / C084610711

\* NEW PART

X AS REQUIRED



| FIG | PART NUMBER   | DESCRIPTION                   | QTY |
|-----|---------------|-------------------------------|-----|
| 1   | 4610800700004 | START NUMBER PLATE 65SX 2002  | 1   |
| 2*  | 0024060106    | HH COLLAR SCREW M6X10 TX30    | 5   |
| 3   | 4610801300004 | REAR PART 65 SX ORANGE 2003   | 1   |
| 4   | 45007040050   | QUICK RELEASE LATCHPLATE      | 1   |
| 5   | 72210079000   | BUCKET                        | 2   |
| 6   | 0017060203    | EJOT PT SCREW K60X20 WS=6     | 2   |
| 7   | 0981350163    | SHEET MET.SCR.DIN7981- 3,5X16 | 2   |
| 8*  | 0024060136    | HH COLLAR SCREW M6X13 TX30    | 2   |
| 9   | 4610801000004 | FENDER FRONT 65SX 2002        | 1   |
| 10  | 59003001099   | METAMOLL 90X45X3MM 03         | 1   |

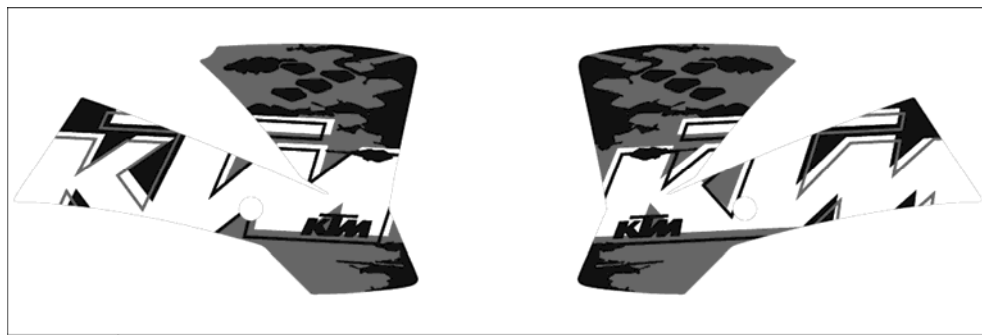
084610810 / C084610810

\* NEW PART

X AS REQUIRED

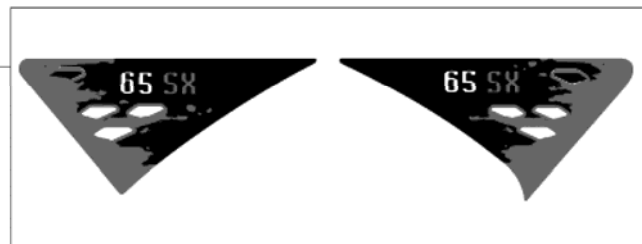


| FIG | PART NUMBER | DESCRIPTION                    | QTY |
|-----|-------------|--------------------------------|-----|
| 1*  | 46108099600 | SPOILER DECAL L/S+R/S 65 SX 08 | 1   |
| 2*  | 46108092600 | DECAL 65 SX 2008               | 1   |



①

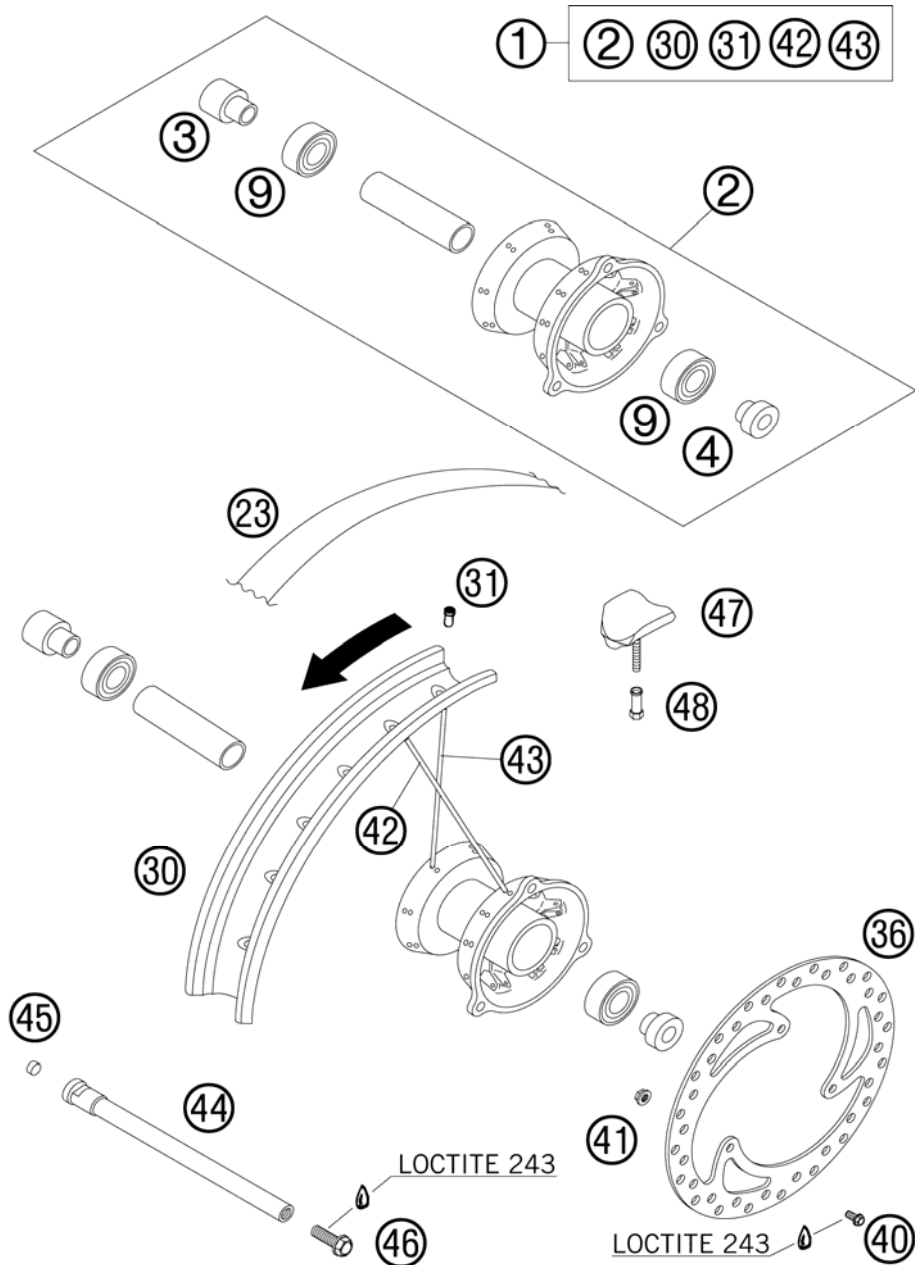
②



084610830 / C084610830

\* NEW PART

X AS REQUIRED



| FIG | PART NUMBER | DESCRIPTION                    | QTY |
|-----|-------------|--------------------------------|-----|
| 1*  | 46109001544 | FRONT WHEEL-SP 1,6X14" ALU '08 | 1   |
| 2   | 46109010144 | FR.WHEEL HUB CPL. SILVER 2006  | 1   |
| 3   | 46009014000 | SPACER BUSH L/S 65SX 04        | 1   |
| 4   | 46009013000 | SPACER BUSH R/S 65SX 04        | 1   |
| 9   | 0625060037  | GR.BALL BEAR. 6003-2RSH/C3HMTF | 2   |
| 23  | 46009073000 | RIM BAND 14"                   | 1   |
| 30  | 46109070100 | RIM FRONT 1,6X14" ALU 2008     | 1   |
| 31  | 46009072100 | SPOKE NIPPEL M3,5 2001         | 32  |
| 36  | 46109060000 | BRAKE DISC FRONT 65 SX 2004    | 1   |
| 40  | 59009062016 | SPECIAL SCREW M6X16 WS=8 10.9  | 3   |
| 41  | 56509064100 | SELF LOCKING NUT M6 10.9       | 3   |
| 42  | 46009071000 | SPOKE M3,5X145MM               | 16  |
| 43  | 46009171000 | SPOKE M3,5X149MM               | 16  |
| 44  | 46109081000 | AXLE FRONT 65SX 2002           | 1   |
| 45  | 55009086000 | PLUG SFL13                     | 1   |
| 46  | 49032011000 | HH COLLAR SCREW M10X20 WS=17   | 1   |
| 47* | 45110090000 | RIM LOCK CPL. 2004             | 1   |
| 48* | 50310090050 | NUT FOR WHEEL HOLDER '96       | 1   |

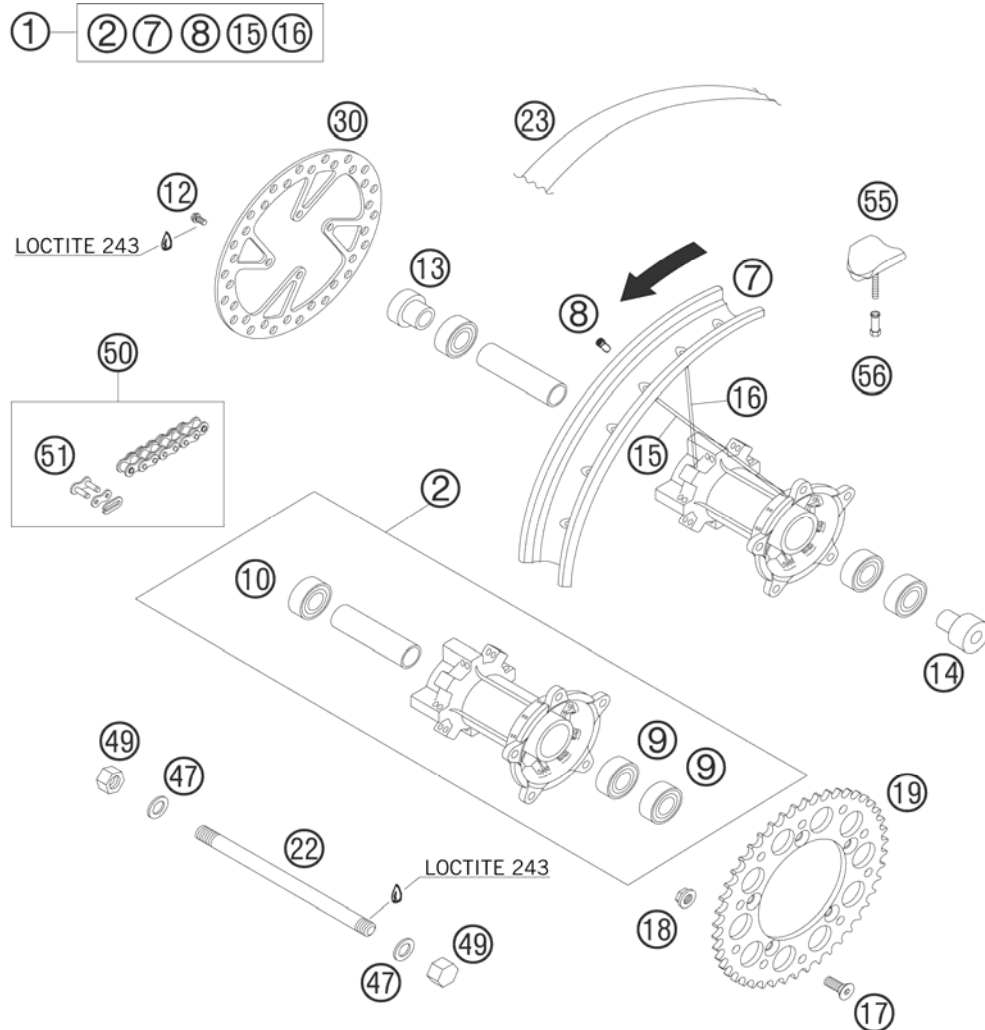
084610910 / C084610910

\* NEW PART

X AS REQUIRED

# REAR WHEEL

65 SX EU 2008



| FIG | PART NUMBER | DESCRIPTION                    | QTY |
|-----|-------------|--------------------------------|-----|
| 1*  | 46110001344 | REAR WHEEL SP 1,6X12" ALU 08   | 1   |
| 2   | 46010010144 | REAR WHEEL HUB CPL.60/65 2000  | 1   |
| 7   | 46110070000 | RIM REAR 1,6X12" ALU 2007      | 1   |
| 8   | 46009072100 | SPOKE NIPPEL M3,5 2001         | 32  |
| 9   | 0625060037  | GR.BALL BEAR. 6003-2RSH/C3HMTF | 2   |
| 10  | 0625062032  | GR.BALL BEAR. 6203-2RSHC3HMTF  | 1   |
| 12  | 59009062013 | SPECIAL SCREW M6X13 WS=8 10.9  | 4   |
| 13  | 46010013000 | SPACER BUSH R/S SX 60/65 2000  | 1   |
| 14  | 46010014000 | SPACER BUSH L/S SX 60/65 2000  | 1   |
| 15  | 46010071100 | SPOKE 3X140X4MM-161°           | 16  |
| 16  | 46010171100 | SPOKE 3X132X5MM-150°           | 16  |
| 17  | 0991080253  | FLAT HEAD SCREW DIN7991-M 8X25 | 5   |
| 18  | 54310086200 | SELF LOCKING NUT M8 10.9       | 5   |
| 19  | 46010051046 | REAR SPROCKET 46-T             | x   |
| 19  | 46010051048 | REAR SPROCKET 48-T             | x   |
| 19  | 46010051050 | REAR SPROCKET 50-T             | 1   |
| 22  | 46010085100 | AXLE REAR 213MM M12X1          | 1   |
| 23  | 46010073000 | RIM BAND 12"                   | 1   |
| 30* | 46110060200 | BRAKE DISC 65SX 2008           | 1   |
| 47  | 0125120003  | FLAT WASHER DIN0125-A13        | 2   |
| 49  | 0917120103  | NUT DIN917-M12X1               | 2   |
| 50  | 46110165112 | CHAIN 1/2X1/4"                 | 1   |
| 51  | 46110166000 | CONNECTING LINK 1/2X1/4"       | 1   |
| 55  | 51009100100 | RIM LOCK VM1 (1,60")           | 1   |
| 56  | 50310090050 | NUT FOR WHEEL HOLDER '96       | 1   |

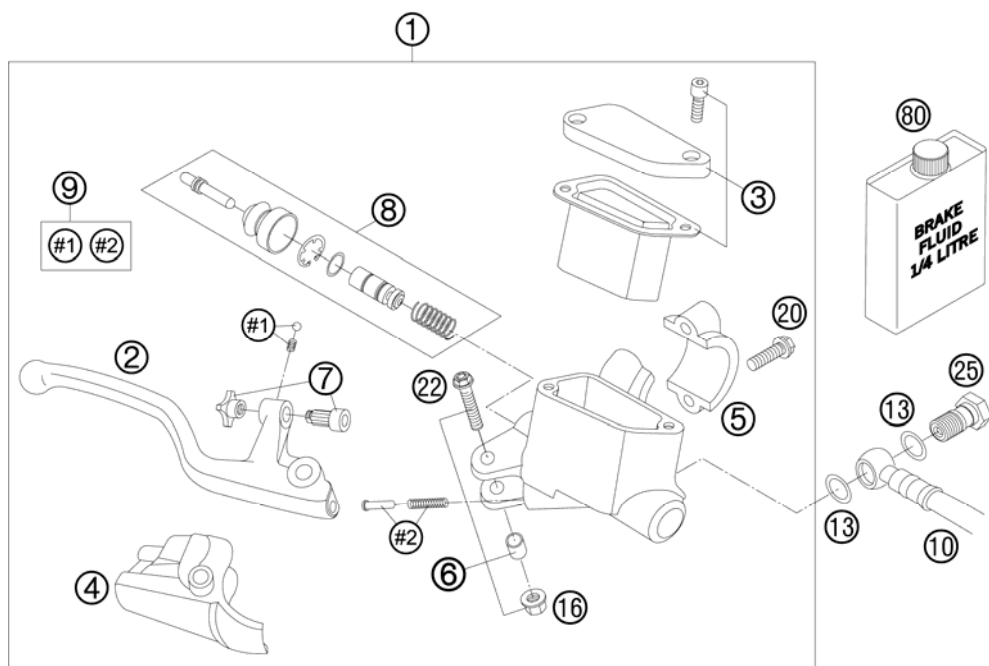
084611010 / C084611011

\* NEW PART

X AS REQUIRED

# HAND BRAKE CYLINDER

65 SX EU 2008

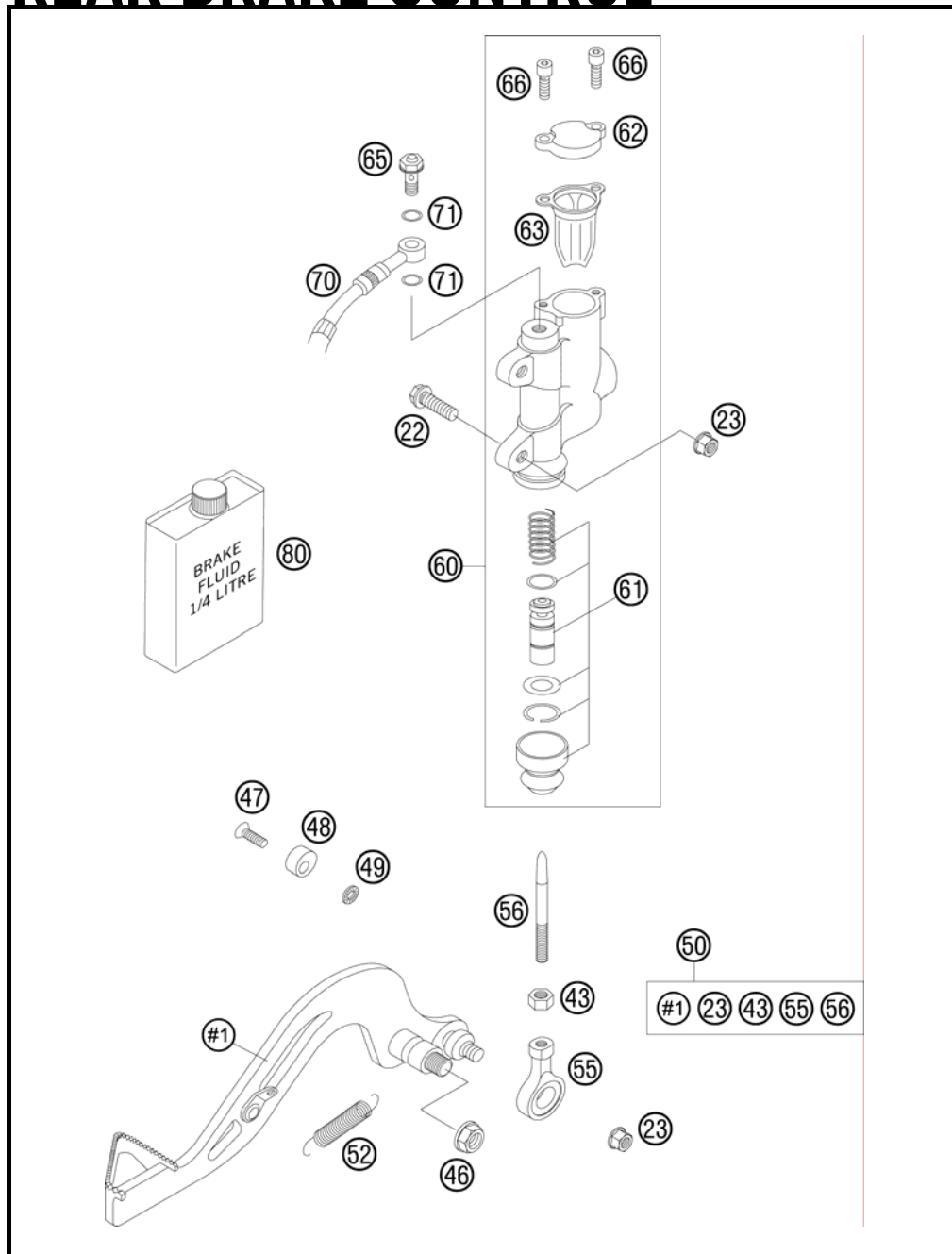


| FIG | PART NUMBER | DESCRIPTION                    | QTY |
|-----|-------------|--------------------------------|-----|
| 1   | 47013001000 | HAND BRAKE CYL. CPL. 11MM 03   | 1   |
| 2   | 47013002000 | BRAKE LEVER LOOSE 85 SX 2003   | 1   |
| 3   | 47013003000 | CYLINDER COVER CPL. FRONT 2003 | 1   |
| 4   | 47013004000 | PROTECTION COVER 85 SX 2003    | 1   |
| 5   | 47013005000 | CLAMP FOR BRAKE CYLINDER 2003  | 1   |
| 6   | 47013006000 | SCREW+BUSHING+NUT 03           | 1   |
| 7   | 47013007000 | ADJUSTING SCREW CPL. 85 SX 03  | 1   |
| 8   | 47013008000 | REP.SET PISTON FRONT D=11MM    | 1   |
| 9   | 47013009000 | BALL+SPRING+SPRING GUIDE 03    | 1   |
| 10  | 46113010100 | BRAKE HOSE FRONT 65 SX 2004    | 1   |
| 13  | 0770080019  | O-RING 8,00X1,00 EPDM          | 2   |
| 16  | 56509064100 | SELF LOCKING NUT M6 10.9       | 1   |
| 20* | 0025060206  | HH COLLAR SCREW M6X20 TX30     | 2   |
| 22* | 0025060306  | HH COLLAR SCREW M6X30 TX30     | 1   |
| 25  | 47013025000 | HOLLOW SCREW BRAKE CYLINDER 03 | 1   |
| 80* | 00062030000 | BRAKE FLUID DOT5.1 0,25L       | 1   |

084611310 / C084611310

\* NEW PART

X AS REQUIRED



| FIG | PART NUMBER | DESCRIPTION                    | QTY |
|-----|-------------|--------------------------------|-----|
| 22* | 0025060206  | HH COLLAR SCREW M6X20 TX30     | 2   |
| 23  | 56509064100 | SELF LOCKING NUT M6 10.9       | 3   |
| 43  | 0934060003  | HEXAGON NUT DIN0934-M 6        | 1   |
| 46  | 54310086200 | SELF LOCKING NUT M8 10.9       | 1   |
| 47  | 0991060203  | FLAT H.SCREW DIN7991-M6X20 8.8 | 1   |
| 48  | 58303063000 | BRAKE LEVER STOP '93           | 1   |
| 49  | 0797060003  | TOOTH LOCK WASH. DIN6797-A 6,4 | 1   |
| 50  | 46003060233 | BRAKE PEDAL LEVER CPL 2000     | 1   |
| 52  | 54603062000 | RETURN SPRING FOR BRAKE LEVER  | 1   |
| 55  | 54603069000 | SWIVEL HEAD M6 FOOT BRAKE LEV. | 1   |
| 56  | 54603068000 | PRESSURE ROD ALU 250 '90       | 1   |
| 60  | 46113060000 | REAR BRAKE CYL. 50+65 04       | 1   |
| 61  | 47013061000 | REP. SET PISTON REAR D=11 2003 | 1   |
| 62  | 47013062000 | CYLINDER COVER REAR 85 SX 03   | 1   |
| 63  | 47013063000 | GASKET CYLINDER COVER REAR 03  | 1   |
| 65  | 46113325000 | HOLLOW SCREW M6                | 1   |
| 66  | 0912040103  | AH.SCREW DIN0912-M 4X10        | 2   |
| 70  | 46113070000 | BRAKE HOSE REAR 65 SX 04       | 1   |
| 71  | 0770060019  | O-RING 6,00X1,00               | 2   |
| 80  | 00062030000 | BRAKE FLUID DOT5.1 0,25L       | 1   |

084611330 / C084611330

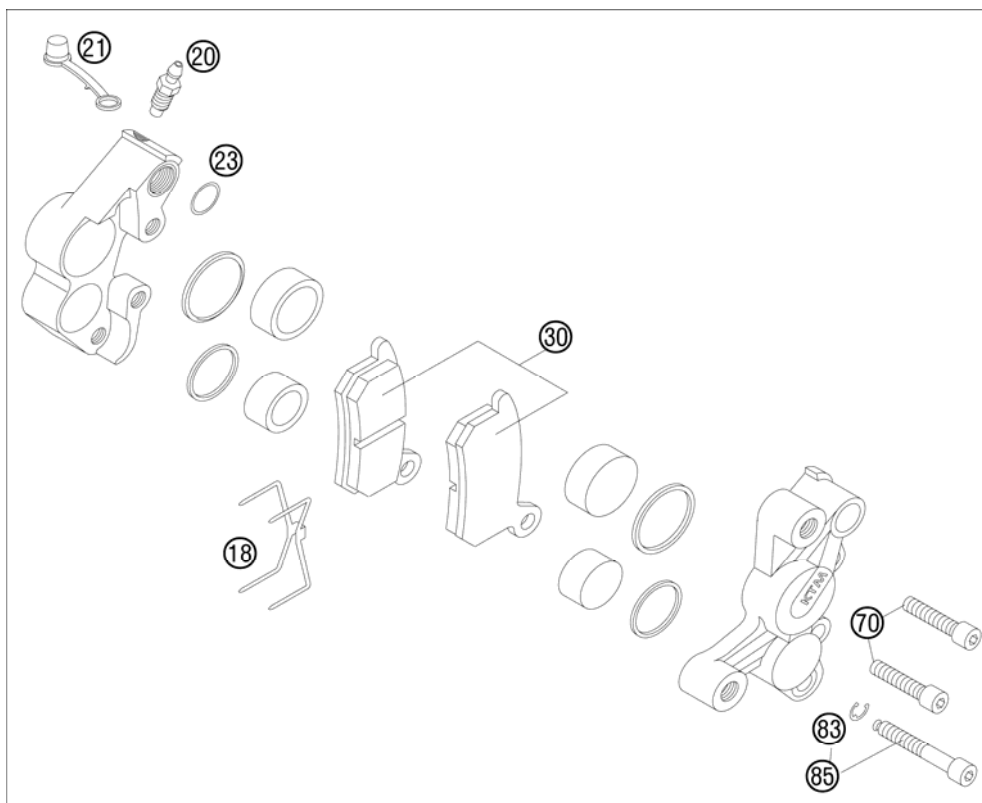
\* NEW PART

X AS REQUIRED

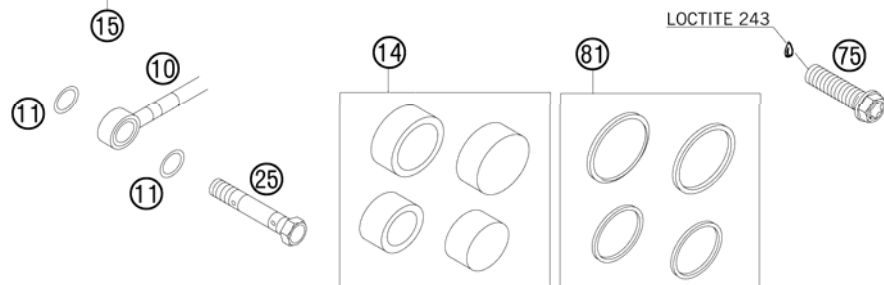


# BRAKE CALIPER FRONT

65 SX EU 2008



| FIG | PART NUMBER | DESCRIPTION                    | QTY |
|-----|-------------|--------------------------------|-----|
| 10  | 46113010100 | BRAKE HOSE FRONT 65 SX 2004    | 1   |
| 11  | 0770080019  | O-RING 8,00X1,00 EPDM          | 2   |
| 14  | 46113019050 | REPAIR KIT BRAKEPISTON         | 1   |
| 15  | 47013015000 | BRAKE CALIPER FR. CPL.85 SX 03 | 1   |
| 18  | 46113018000 | RETAINING SPRING 65 SX         | 1   |
| 20  | 47013020000 | BLEEDER SCREW M6               | 1   |
| 21  | 47013021000 | CAP FOR BLEEDER SCREW          | 1   |
| 23  | 0770100019  | O-RING 10X1 EPDM               | 1   |
| 25  | 47013125000 | HOLLOW SCREW M8X38,8           | 1   |
| 30  | 46113030000 | BRAKE PAD SET FRONT 2002       | 1   |
| 70  | 0912060283  | AH SCREW DIN0912-M 6X28        | 2   |
| 75* | 0025080306  | HH COLLAR SCREW M8X30 TX40     | 2   |
| 81  | 46113019000 | REPAIR KIT SEAL RING 2002      | 1   |
| 83  | 0799040009  | TAB WASHER DIN6799-RA 4,0      | 1   |
| 85  | 46113125000 | AH SCREW + CIRCLIP 2002        | 1   |



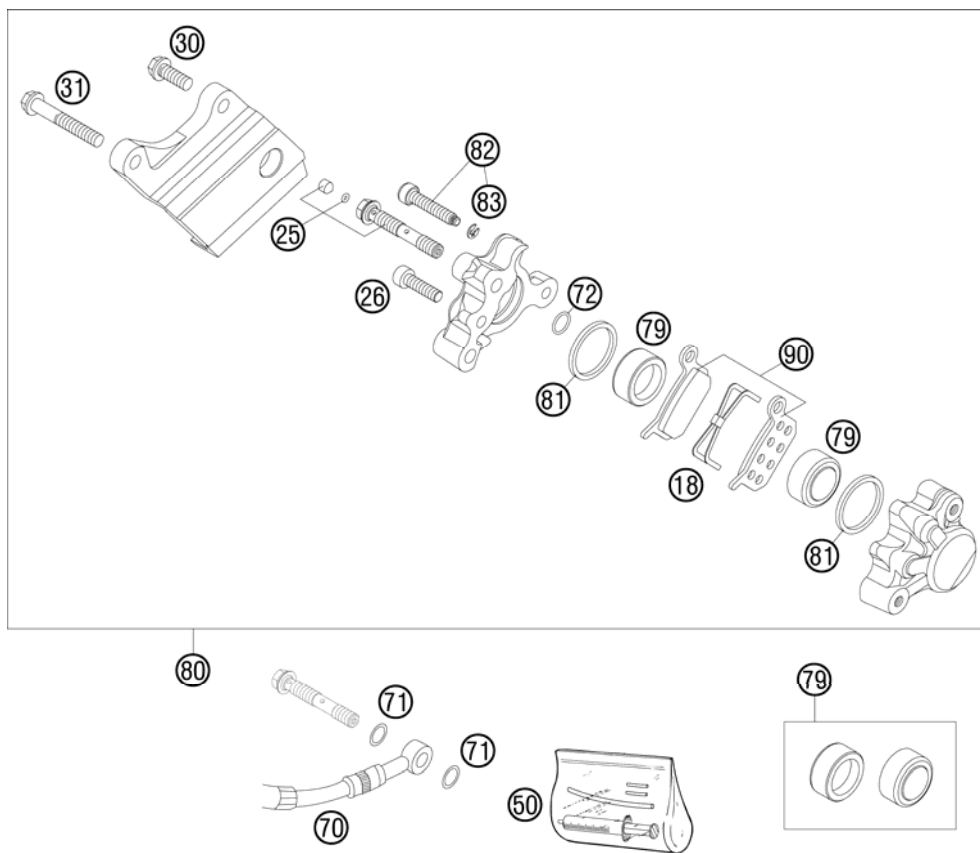
084611360 / C084611360

\* NEW PART

X AS REQUIRED

# BRAKE CALIPER REAR

65 SX EU 2008



| FIG | PART NUMBER | DESCRIPTION                    | QTY |
|-----|-------------|--------------------------------|-----|
| 18  | 45113018000 | RETAINING SPRING 50 LC         | 1   |
| 25  | 46113225000 | HOLLOW SCREW CPL.              | 1   |
| 26  | 0912050163  | AH SCREW DIN0912-M 5X16        | 1   |
| 30* | 0025060166  | HH COLLAR SCREW M6X16 TX30     | 1   |
| 31* | 0025060406  | HH COLLAR SCREW M6X40 TX30     | 1   |
| 50  | 45119050000 | BLEEDER INJECTION-SET 50-65    | 1   |
| 70  | 46113070000 | BRAKE HOSE REAR 65 SX 04       | 1   |
| 71  | 0770060019  | O-RING 6,00X1,00               | 2   |
| 72  | 0770080019  | O-RING 8,00X1,00 EPDM          | 1   |
| 79  | 45113019100 | REPAIR KIT BRAKEPISTON         | 1   |
| 80  | 46113080000 | BRAKE CALIPER REAR CPL.65SX 04 | 1   |
| 81  | 0770022020  | O-RING 22X2X2 EPDM             | 2   |
| 82  | 45113225000 | AH SCREW + CIRCLIP 50/65 04    | 1   |
| 83  | 0799025000  | TAB WASHER DIN6799 RS2,5       | 1   |
| 90* | 46113030100 | BRAKE PAD SET REAR 65SX 2008   | 1   |

084511390 / C084611390

\* NEW PART

X AS REQUIRED

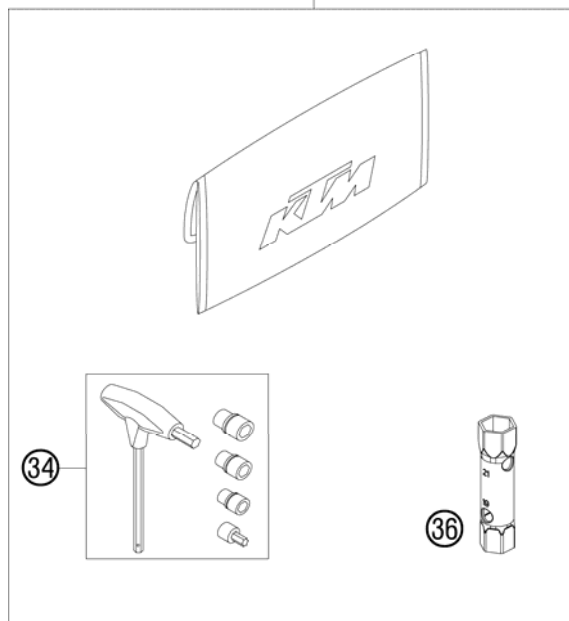
①

OHNE ABBILDUNG  
WITHOUT ILLUSTRATION

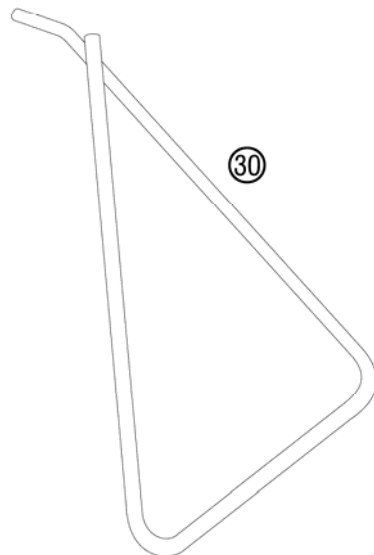
①

TECHNISCHE DOKUMENTATION  
TECHNICAL DOCUMENTATION  
DOCUMENTACION TECNICA  
DOCUMENTATION TECHNIQUE  
NOTE TECNICHE

②⑨



③①



| FIG | PART NUMBER  | DESCRIPTION                    | QTY |
|-----|--------------|--------------------------------|-----|
| 0   | 312305       | DOCUMENTS BAG 2006             | 1   |
| 0   | 312313       | KTM BALLPOINT ORANGE           | 1   |
| 0   | 3210039      | CUSTOMER WELCOME LETTER        | 1   |
| 0   | 45131023070  | MAIN JET 70 DELLORTO           | 1   |
| 1   | 3211223      | OWN.MAN. 65 SX/ XC 2008        | 1   |
| 1   | 322000       | SAFETY BROCHURES SPORTMINICYC. | 1   |
| 1   | 3CF6003H6EN  | SPM CHASSIS 65 SX 2008         | 1   |
| 1   | 3CM080208HEN | SPC ENGINE 65 SX 2008          | 1   |
| 29* | 46129099000  | BORDTOOL 65SX 2008             | 1   |
| 30* | 47003020000  | PLUG IN STAND SX 85 2003       | 1   |
| 34  | 60029070200  | T-WRENCH WS=6/8/10 TX=45 B&F   | 1   |
| 36  | 45129072000  | SPARK PLUG WRENCH              | 1   |

084612010 / C084612012

\* NEW PART

X AS REQUIRED











KTM-Sportmotorcycle AG  
A-5230 Mattighofen  
[www.ktm.at](http://www.ktm.at)

KTM Group Partner



3CF6003H6EN



Art.Nr.: 3CF6003H6EN 5/2007