

# 125 SXS 2008

**SPARE PARTS MANUAL: CHASSIS**

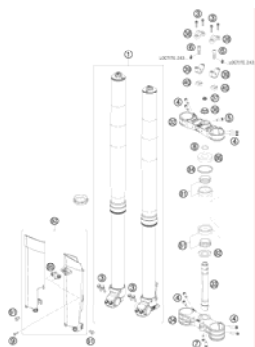
ART.NO.: 3CF6100H1EN

ENGLISH



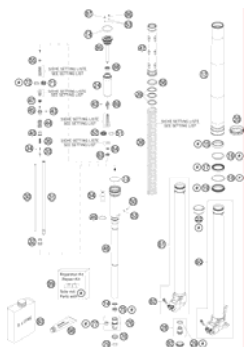


## FRONT FORK, TRIPLE CLAMP



3

## FRONT FORK DISASSEMBLED



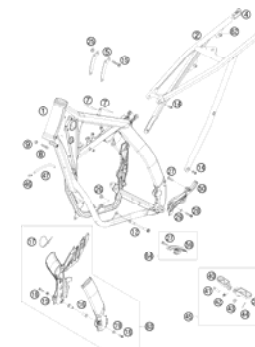
4

## HANDLEBAR, CONTROLS



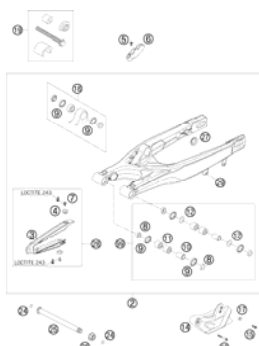
6

## FRAME



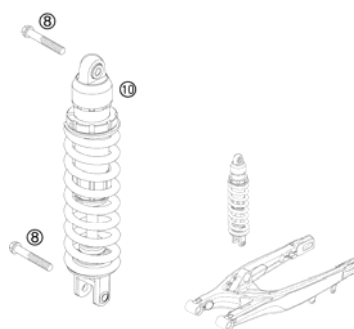
7

## SWING ARM



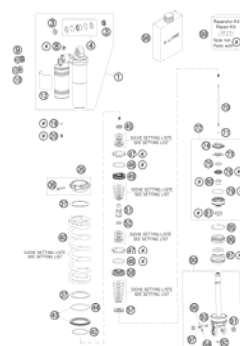
8

## MONOSHOCK



9

## FRONT FORK DISASSEMBLED



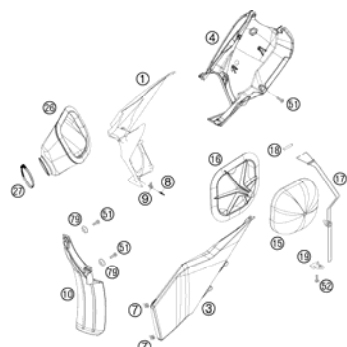
10

## EXHAUST SYSTEM



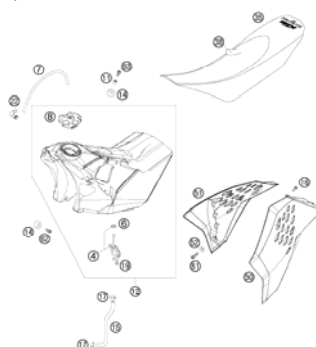
12

## AIR FILTER



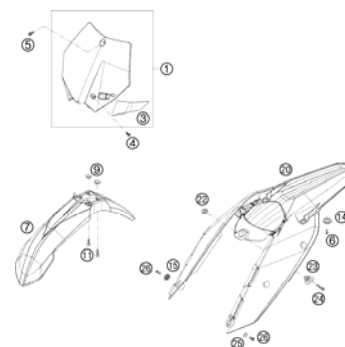
13

## TANK, SEAT, COVER



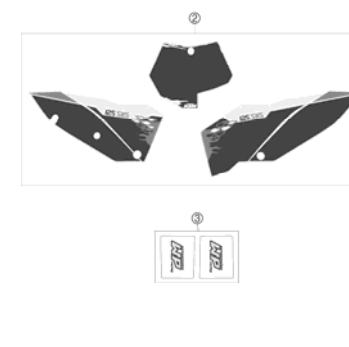
14

## MASK, FENDERS

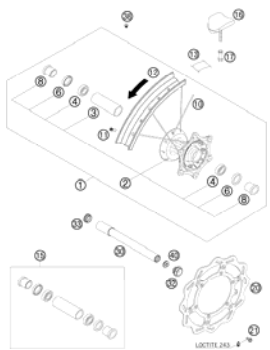
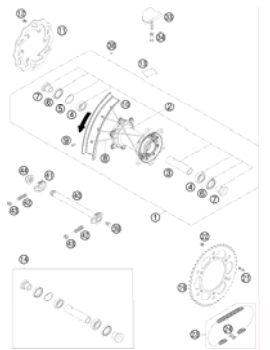
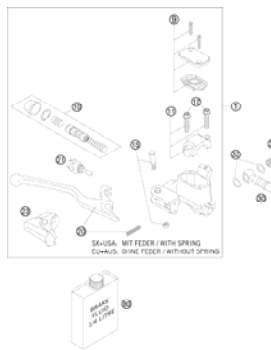
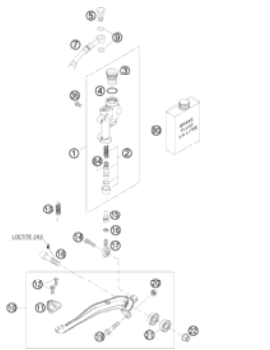
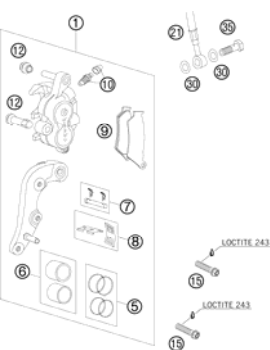
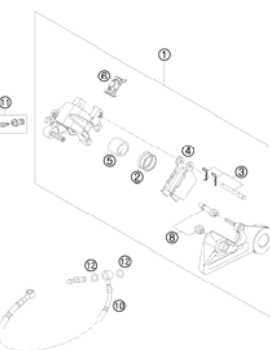
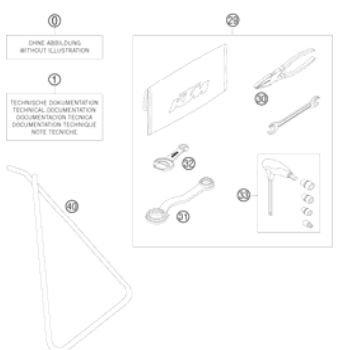


15

## DECAL



16

<p><b>FRONT WHEEL</b></p>  <p><b>17</b></p>	<p><b>REAR WHEEL</b></p>  <p><b>18</b></p>	<p><b>HAND BRAKE CYLINDER</b></p>  <p><b>19</b></p>	<p><b>REAR BRAKE CONTROL</b></p>  <p><b>20</b></p>
<p><b>BRAKE CALIPER FRONT</b></p>  <p><b>21</b></p>	<p><b>BRAKE CALIPER REAR</b></p>  <p><b>22</b></p>	<p><b>ACCESSORIES KIT</b></p>  <p><b>23</b></p>	
<div style="display: flex; align-items: center;"> <div style="background-color: #cccccc; padding: 20px; margin-right: 20px; font-size: 48px; font-weight: bold; text-align: center;">!</div> <div> <p>All information contained is without obligation. KTM-Sportmotorcycle AG particularly reserves the right to modify any equipment, technical specifications, prices, colors, shapes, materials, services, service work, constructions, equipment and the like so as to adapt them to local conditions or to cancel any of the above items, all without previous announcement and without giving reasons. KTM may stop manufacturing certain models without previous notice. KTM shall not be held liable for any deviations of availability and/or ability to deliver, illustrations, descriptions, printing and/or other errors. The illustrated models partly contain extra equipment, which is not applied to standard models. © by KTM-SPORTMOTORCYCLE AG, Mattighofen AUSTRIA; All rights reserved; Reprint, also in extracts, with written allowance of KTM-SPORTMOTORCYCLE AG, Mattighofen only.</p> </div> </div>			

# FRONT FORK, TRIPLE CLAMP

125 SXS 2008

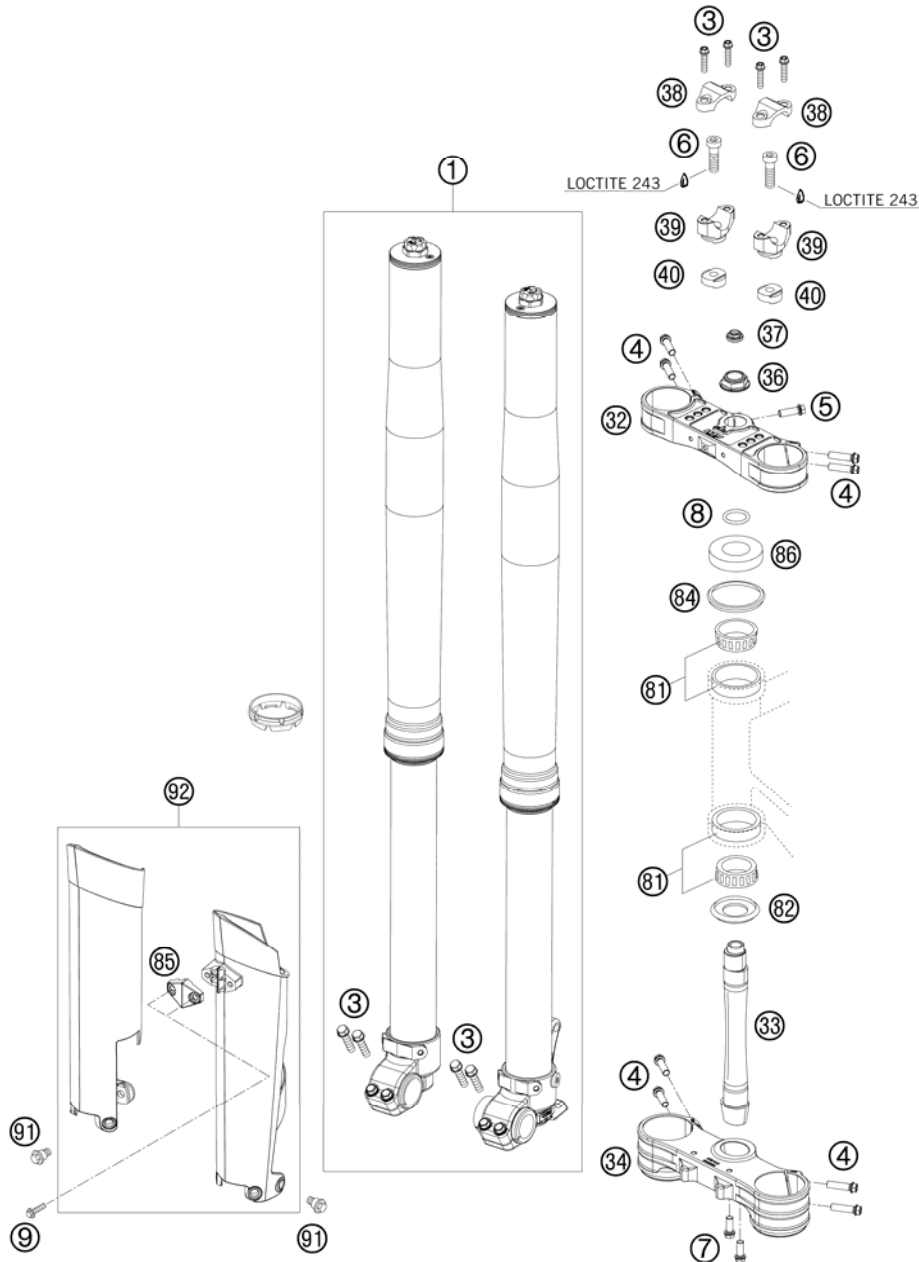


FIG	PART NUMBER	DESCRIPTION	QTY
1*	14187D14	FORK WP D=48 125 SXS	1
3*	0025080256	HH COLLAR SCREW M8X25 TX40	8
4*	0025080306	HH COLLAR SCREW M8X30 TX40	8
5*	0025080256S	HH COLLAR SCREW M8X25 TX40	1
6	0912100356	AH SCREW DIN6912-M10X35 10.9	2
7*	0025080206	HH COLLAR SCREW M8X20 TX40 SELF-LOCKING	2
8	0770025035	O-RING 25X3,55 NBR70 05	1
9	0017060204	EJOT PT SCREW K60X20 ALU WS=6	2
32*	SXS08450401	TOP TRIPLE CLAMP SXS 08	1
33*	SXS08450403	FORK TUBE SXS 1MM EXC. 08	1
34*	SXS08450402	BOT. TRIPLE CLAMP SXS 08	1
36	SXS06450404	NUT M20 06	1
37	SXS06450405	SAFETY SCREW M20 2006	1
38*	SXS08450408	CLAMP. F. HANDLEB. SUPP. SXS 08	2
39*	59501039001	HANDLEBAR SUPPORT	2
40*	59501039004	SPACER 9 MM	x
81	54201081100	TAPERED ROLLER BEARING CPL. 06	2
82	54601084100	O-RING SUPPORT W. SEALING LIP	1
84	54601184000	STEERING HEAD GASKET TOP	1
85*	7800108500030	CLAMP F.SPEED.CABLE D=6MM 08	1
86	54201086000	STEERING HEAD COVER	1
91	59001092050	SPECIAL SCREW M6X12,5 WS=8	6
92*	7800109400030	FORK PROT. L/S+R/S BLACK	1

08SXS0110 / C08SXS0110

\* NEW PART

X AS REQUIRED

# FRONT FORK DISASSEMBLED

125 SXS 2008

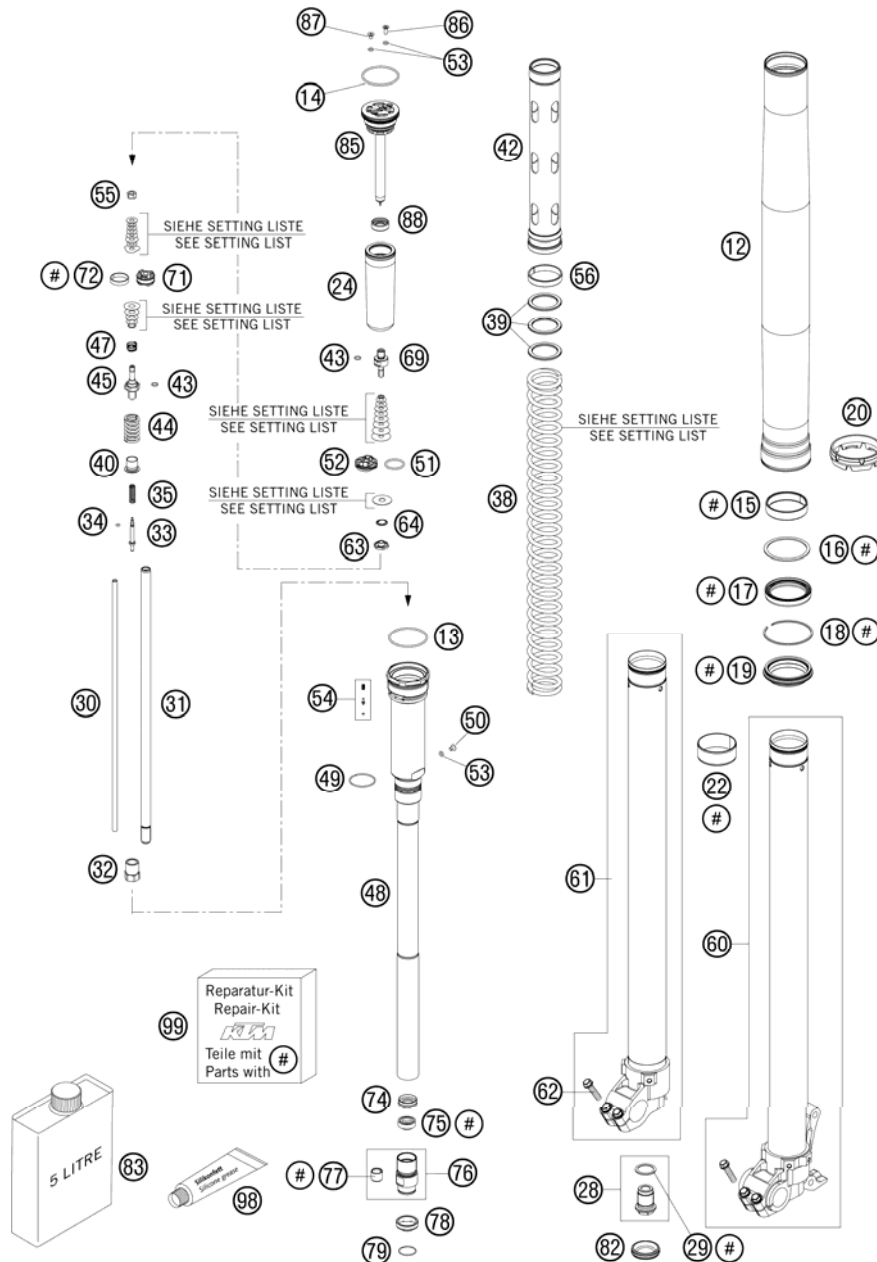


FIG	PART NUMBER	DESCRIPTION	QTY
12*	48600736	OUTER TUBE L577 D54/60MM 2L	2
13	46810340	O-RING NBR 45X2	2
14	40140024	O-RING NBR 43X2	2
15	48600429	DU-BUSH D48XD52X12DDL02	2
16	48600013	SUPPORT RING 50 X 57,6 X 1,5	2
17	48600347	OIL SEAL RING 48X57,8X9,5 03	2
18	48600070	LOCK WASHER SB58	2
19	48600400	DUST CAP D=48 58,4X11,8	2
20*	48600698	FORK PROTECTION RING 08	2
22	48600428	DU-BUSH D47XD49X20DDL02	2
24	48600281	MEMBRANE	2
28	48600280S	SCREW BUSH M20X1 L=33 CPL.	2
29	48600275	COPPER WASHER 20,5X26X1	2
30	48600269	ADJUSTING TUBE L=371	2
31	48600464	PISTON ROD SXS 2005	2
32	48600459	COUNTERNUT M12X1 WS17	2
33	48600277	ADJUSTER NEEDLE 07	2
34	48600298	O-RING 2X1,5 NBR	2
35	48600444	REBOUND SPRING C=4N/MM	2
38	91410027S	SPRING 4,4 N/MM SET D=5,1MM	x
38	91410059S	SPRING 4,0 N/MM SET	x
38*	91410060S	SPRING 4,2 N/MM SET D=5,0MM	x
39	48600456	SPACER 43X35X2,5	x
39	48600457	SPACER 43X35X5	x
39	48600458	SPACER 43X35X1,5	x
40	48600525	GUIDING BUSH REBOUND SPRING	2
42*	48600468S1	TUBE D=35XD=37,5 CPL. SXS 08	2
43	48600299	O-RING 6X1,2 NBR	4
44	48600578	SPRING REB. L=32 C=37 DI=13,9	2
45	48600576	PISTON ROD REBOUND	2
47	48600382	SHUTTLE VALVE SPRING C=0,4	2
48	48600605S1	MEMBRANEHOLDER SXS 07	2
49	48600448	LOCK WASHER D=30	2
50	48600542	AH SCREW M4X6	2
51	46811499	O-RING NBR 21X2	2
52	48600047	PISTON COMPRESSION D=27,9	2

08SXS0130 / C08SXS0130

\* NEW PART

X AS REQUIRED

# FRONT FORK DISASSEMBLED

125 SXS 2008

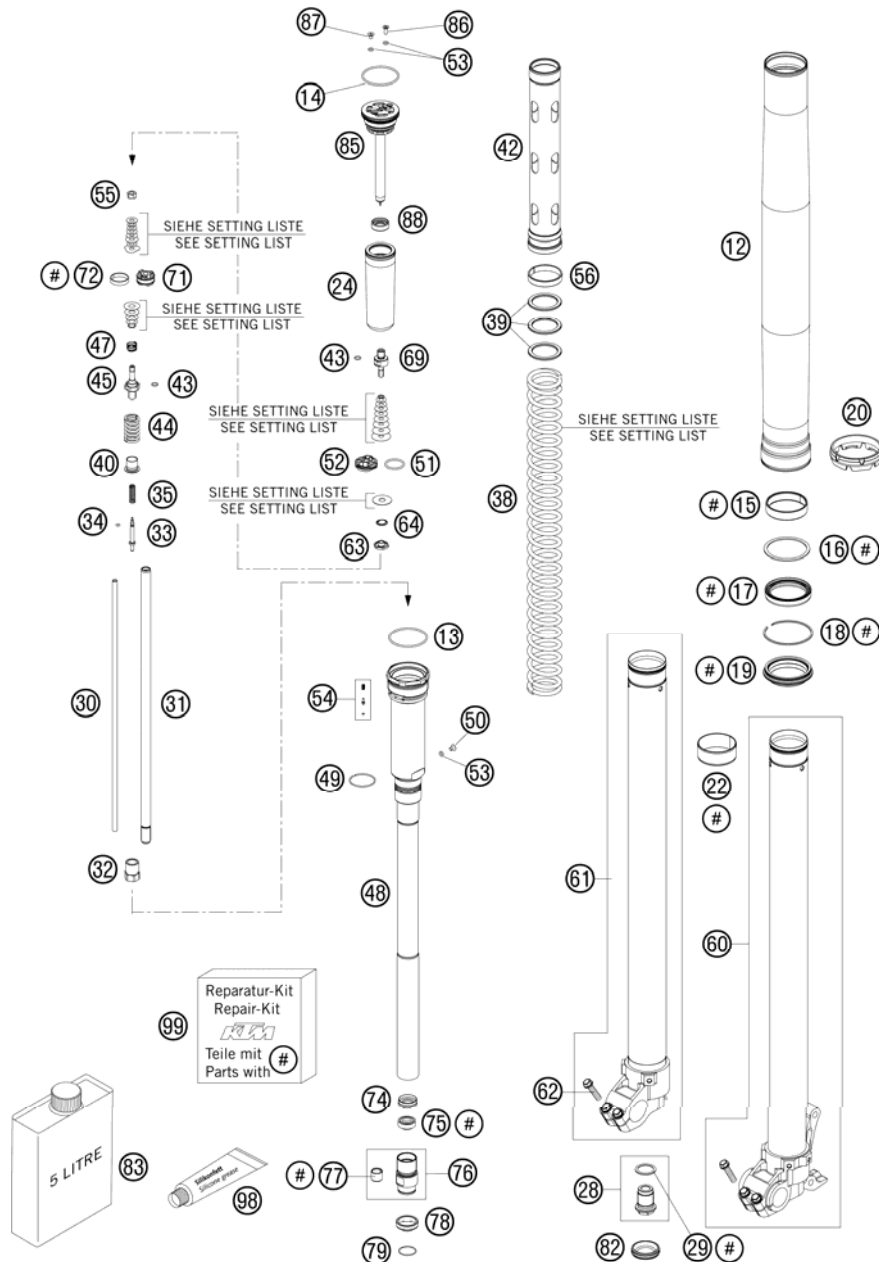


FIG	PART NUMBER	DESCRIPTION	QTY
	53	O-RING NBR 4X1,5	6
	54	PIN VALVE SET	2
	55	NUT M6X0,5 REBOUND	2
	56*	GUIDING BUSH 44,5X41,5X10	2
	60*	AXLE-CL. MA DISC BR+INNERT. 08	1
	61*	AXLE-CL. MA RI+INNERT. CPL. 08	1
	62*	HH COLLAR SCREW M8X25 TX40	4
	63	CHECK VALVE NUT M6X0,5 D=2	2
	64	SPRING CHECK VALVE D=0,7	2
	69	PISTON ROD COMPRESSION	2
	71	PISTON REBOUND	2
	72	PISTON RING 5X1X68	2
	74	RING D=23,45X2,65	2
	75	PISTON ROD SEALING	2
	76	SCREW SLEEVE M24,5X1 CPL.	2
	77	DU BUSH FOR PISTON ROD	2
	78	CHECK VALVE STOP	2
	79	LOCK WASHER D=20	2
	82	RUBBER CAP D=35MM	2
	83	FORK OIL SAE5 5L 2005	1
	85	SPINDLE COMP. ASSY+COVER ASSY	2
	86	SCREW M4X10	2
	87	AH SCREW M4X6	2
	88	MEMBRANE SLEEVE	2
	98	SILICONE GREASE F. DUST STRI	1
	99	REPAIR-KIT GASKET 48MM 0	1

08SXS0130 / C08SXS0130

\* NEW PART

X AS REQUIRED

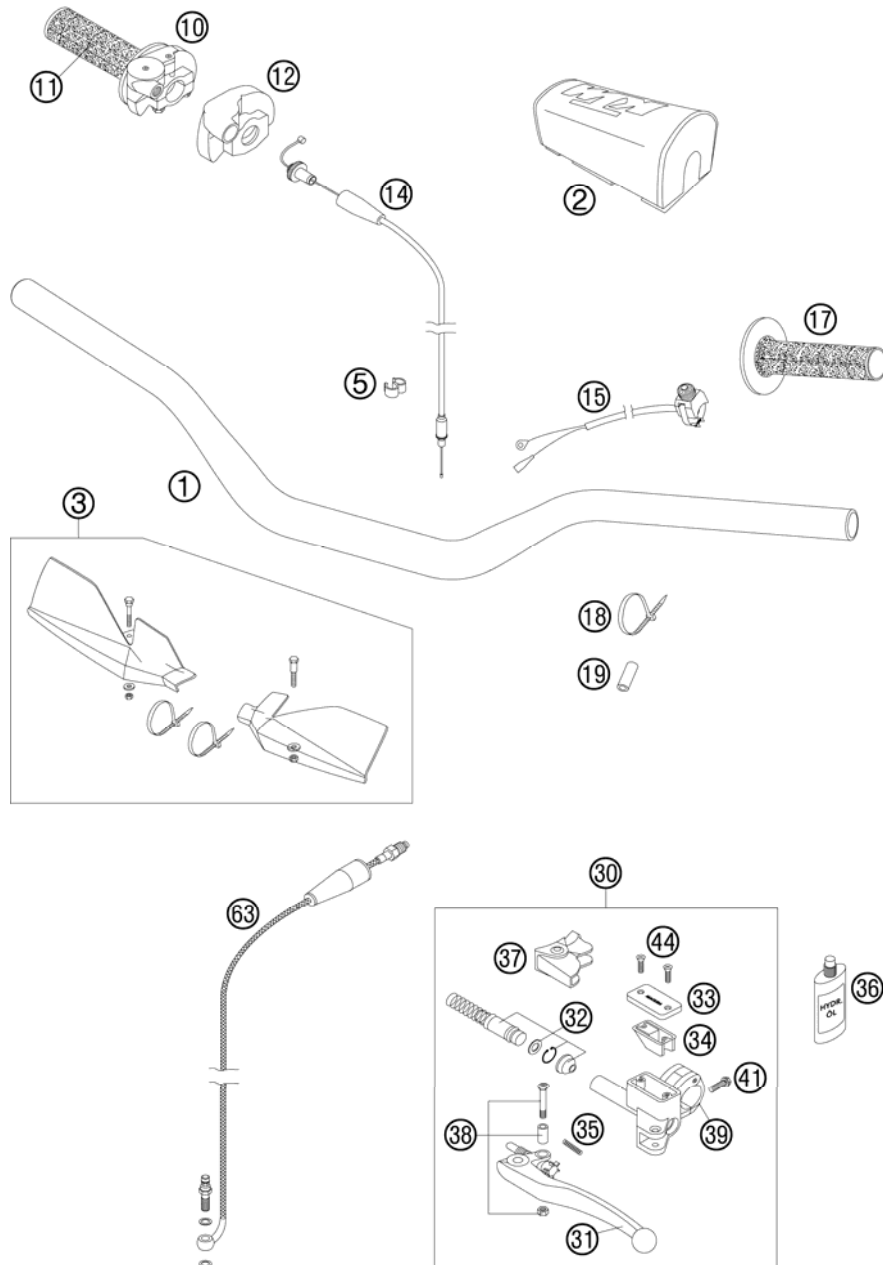


FIG	PART NUMBER	DESCRIPTION	QTY
1*	7730200110017	HANDLEBAR RENTAL SX 28MM 08	1
2	SXS07250800	FATBAR PAD PHDS	1
3	7700207900004	HAND GUARDS CPL.L/S+R/S OR. 06	1
5	60111094000	CLAMP 5/7 MM 06	2
10	54802010000	THR.TWIST CRIP CPL. W.O.CA. 04	1
11	54802013000	TWIST GRIP COVER RENTAL 04	1
12	50302020000	PROTECTION COVER '97	1
14	50302091000	THROTTLE C. 125-380 DOM./KEIH.	1
15	50311089200	SHORT CIRCUIT BUTTON 02	1
17	54802039000	FIXED GRIP RENTAL 04	1
18	44011076200	CABLE TIE 200/3,6MM BLACK	1
19*	58007016300	HOSE 7x11x30MM	1
30	50302030200	MASTER CYLINDER CPL. 9,5MM 04	1
31	54602031000	CLUTCH LEVER SHORT CPL. 2003	1
31	59002031000	CLUTCH LEVER LONG CPL. 2003	x
32	59002032000	REP.KIT PISTON 9,5MM RAC. 2000	1
33	50302033100	COVER HYD.CLUTCH 2T 2000	1
34	50302034000	RUBBER FOR RESERVOIR '98	1
35	59002035000	SPRING FOR CLUTCH LEVER 03	1
36	50302036200	OIL FOR HYD. CLUTCH 75ML	1
37	50302037000	PROTECT.CAP FOR LEVER PERCH'98	1
38	50302038000	LEVER SCREW CPL. 125-200 '98	1
39	50302030150	CLAMP WITH PIN 2000	1
41*	0025060166	HH COLLAR SCREW M6X16 TX30	1
44	0965040123	FLAT HEAD SCREW DIN0965-M 4X12	2
63	50332063200	CLUTCH PIPE L=970MM 04	1

OBSXS0210 / C08SXS0210

\* NEW PART

X AS REQUIRED



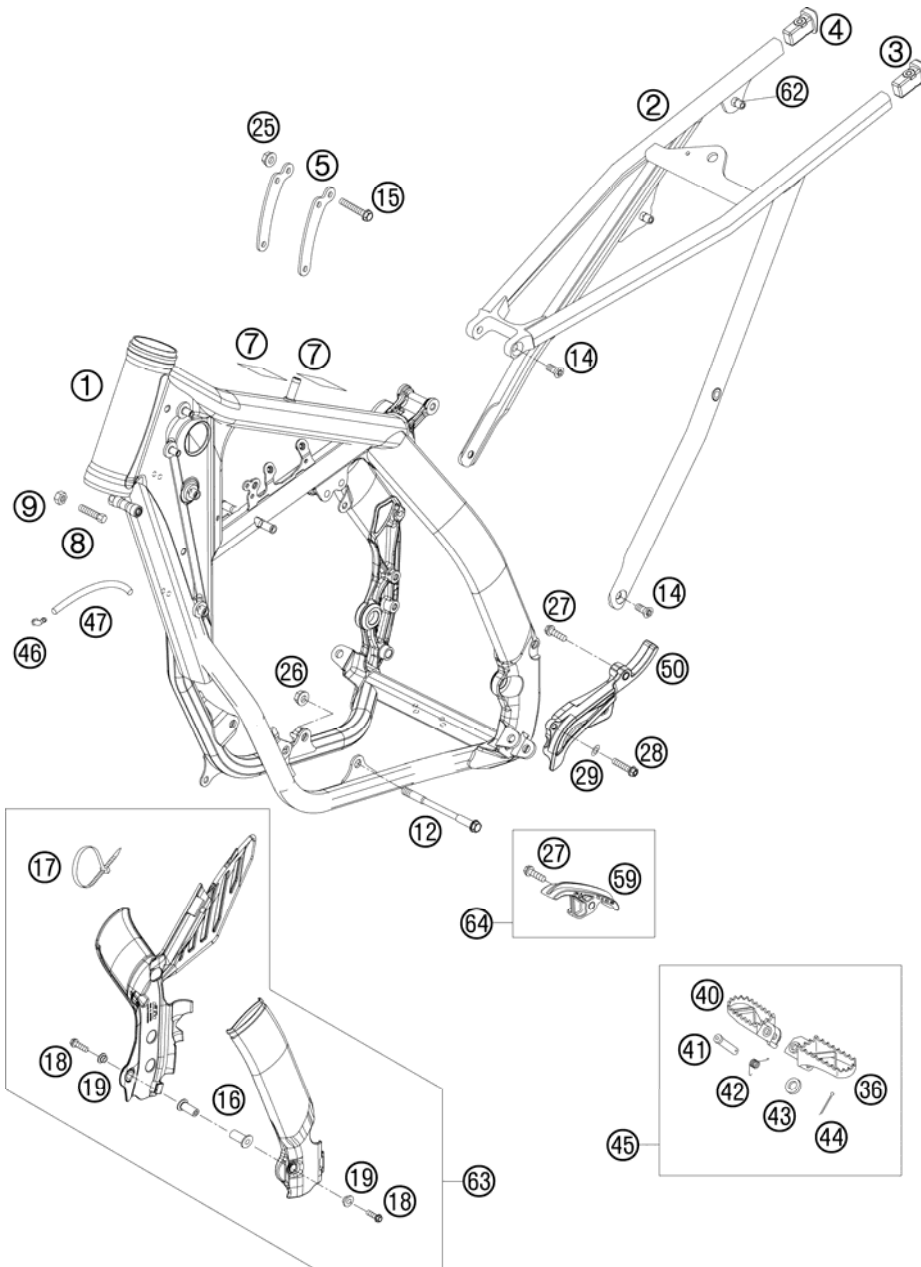


FIG	PART NUMBER	DESCRIPTION	QTY
1*	5030340100030	FRAME 125 SX "BA07" 07	1
2	77303002000	SUB FRAME SX "Q7" 07	1
3*	78003002010	SUB FRAME APPLICATION LEFT 08	1
4*	78003002020	SUB FRAME APPLICATION RIGHT 08	1
5	50303413000	REINFORCING B. 125 SX 07	2
7	50307012000	ADH. FOIL TRANSP. 80X80 MM 04	2
8	59001037000	SPECIAL SCREW M8X26 WS=10	2
9	0934080003	HEXAGON NUT DIN0934-M 8	2
12	54603013000	ENGINE BRAC.SCR. M10X105 WS=13	2
14	0019080206S	FLAT HEAD SCREW M. ISA45 M8X20	4
15	56530079000	COLLAR SCREW M8X42 WS=13 10.9	3
16	54803092050	BLIND PLUG-IN NUT M5 WN 22A 03	2
17	44011076305	CABLE TIE 300/4,8MM BLACK	3
18	0738050250	COU.SUNK SCR. AH ISO7380 M5X25	2
19	54803092060	BUSH F. FRAME PROTECTION 03	2
25	54310086200	SELF LOCKING NUT M8 10.9	3
26	54310086100	SELF LOCKING NUT M10 CU WS=14	2
27*	0025080306	HH COLLAR SCREW M8X30 TX40	2
28*	0025060406	HH COLLAR SCREW M6X40 TX30	1
29*	0125060003	WASHER DIN0125-A 6,4	1
36	59003040250	FOOT PED L/S SILVER 02	1
40	59003041250	FOOT PED R/S SILVER 02	1
41	54803044000	BOLT FOR FOOT PED 03	2
42	54603041000	FOOTREST SPRING L/S & R/S	2
43	0125100003	WASHER DIN0125-A10,5	2
44	0094032253	PIN DIN0094-3,2X25 STEEL	2
45	5030314013390	FOOTREST L.+R. CPL. 03	1
46	50303089000	ANGEL PIECE '97	2
47	55007016001	PVC-HOSE 7X10 PER METER	x
50	54803096000	SPROCKET COVER 250 SX 07	1
59	77303053000	CHAIN SLIDING PIECE BELOW 07	1
62	77303139000	BLIND RIVET NUT EM6-60LF/HX	4
63	77303094100	PLASTIC FRAME PROTECTION SET	1
64	77303053010	CHAIN SLIDING P. BELOW CPL. 07	1

08SXS0310 / C08SXS0310

\* NEW PART

X AS REQUIRED

# SWING ARM

125 SXS 2008

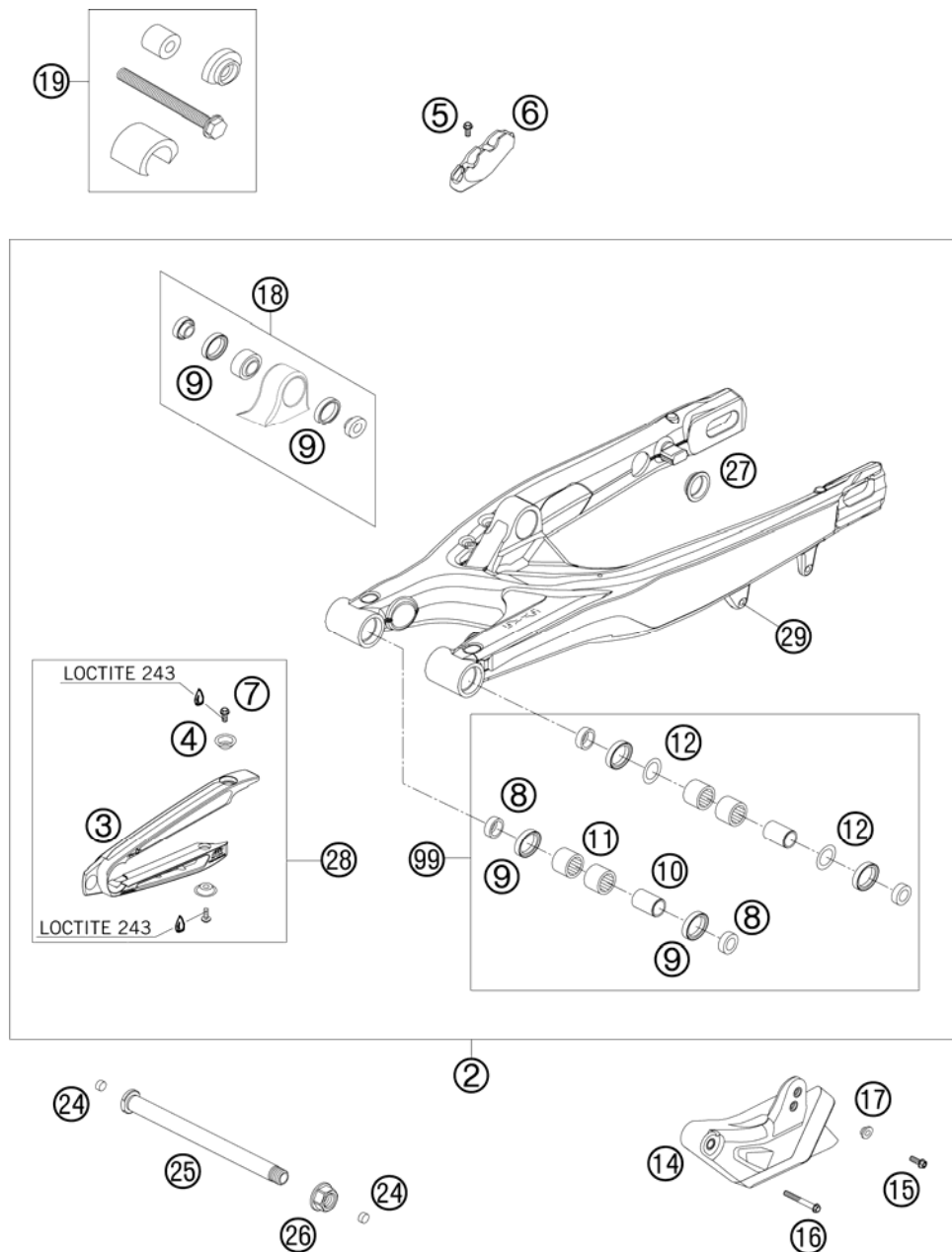


FIG	PART NUMBER	DESCRIPTION	QTY
2	77304030044	SWINGARM CPL. 07	1
3	77304066000	CHAIN SLIDING PROTECTION	1
4	77304066050	BUSHING F. CHAIN SLIDING PR.07	2
5	0009050103	SPECIAL SCREW M 5,0X10	2
6	77313047000	BRAKE HOSE GUIDE LOWER 07	1
7*	59009062013	SPECIAL SCREW M6X13 WS=8 10.9	2
8	54804034000	BUCKET F. SHAFT SEAL RING 03	4
9	0760253270	SHAFT SEAL RING 25X32X7	6
10	54804032000	BUSHING SLEEVE F. SWING ARM 03	2
11	58033097000	NEEDLE BEARING HK 2216	4
12	54603036000	STOP DISK 22,2X31,7X1	2
14*	77304070100	CHAIN GUIDE REAR CPL. 07	1
15*	59009062019	SPECIAL SCREW M6X19 WS=8 10.9	1
16*	0025060456	HH COLLAR SCREW M6X45 TX30	1
17*	77304070130	BUSH. F. CHAIN FAIL. PROT. 07	1
18	50304090044	PIVOT BEARING+BUSHES PDS '99	1
19	50329000044	TOOL BEARING MOUNTING PDS	1
24*	55009086000	PLUG SFL13	2
25	77304037000	SWINGARM BOLT M16X1,5 07	1
26	54804038000	SELF LOCK.NUT M16X1,5 WS=19 03	1
27	58404041100	CLOSING COVER ROUND 03	4
28	77304066010	CHAIN GUARD CPL. 06	1
29	54603055051	PRESS IN NUT M6 STEEL ZINC	1
99*	54804230210	SWINGARM REPAIR KIT 05-07	x

085030490 / C085030490

\* NEW PART

X AS REQUIRED

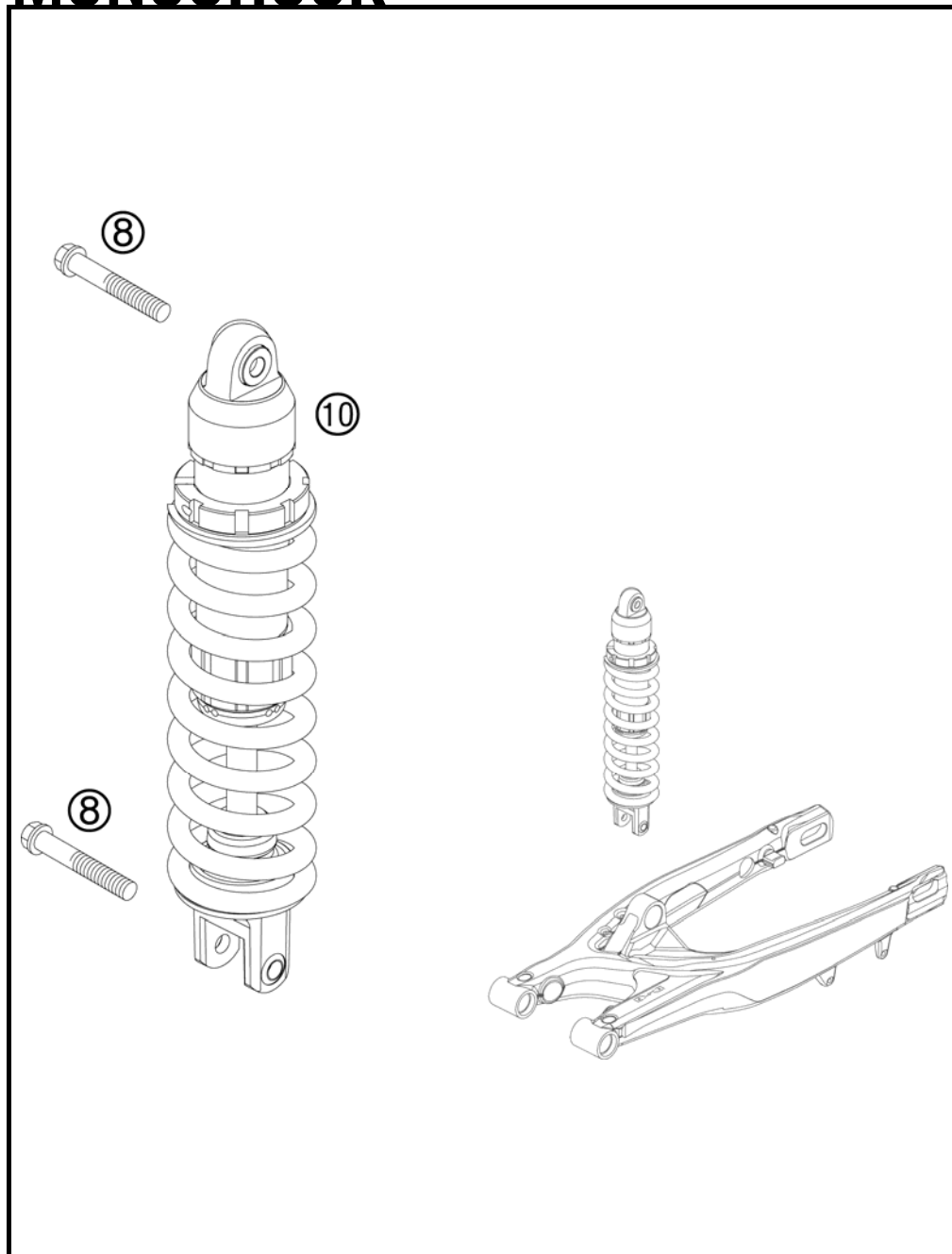


FIG	PART NUMBER	DESCRIPTION	QTY
8	0025120506S	HH COLLAR SCREW M12X50 TX45	2
10*	12187D10	MONOSHOCK 125 SXS 08	1

085030410 / C08SXS0410

\* NEW PART

X AS REQUIRED

# FRONT FORK DISASSEMBLED

125 SXS 2008

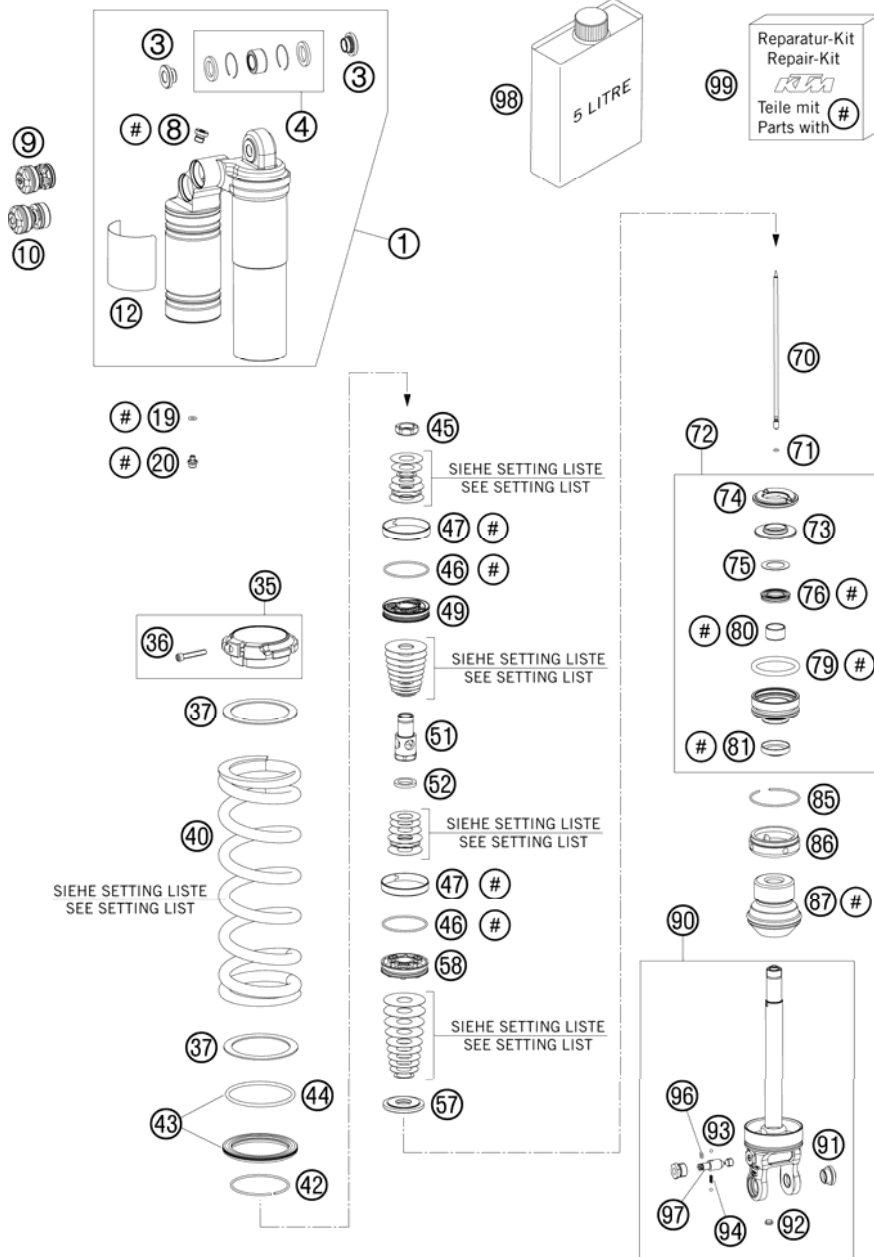


FIG	PART NUMBER	DESCRIPTION	QTY
1*	50180622S1	TOP PART CPL. SXS 08	1
3	46180007	ADAPTOR BUSH KGW 12X24	2
4	R12012	REP. KIT BEAR./SEAL UP. 07	1
8	50180095	BLEED PLUG R 1/8	1
9*	50180586S3	DCC HS3 CONTROL SXS CPL. 08	1
10*	50180590S1	DCC LS1 CONTROL SXS CPL. 08	1
12	52000041	WP CAUTION (PDS KTM) 58X83	1
19	46810893	O-RING NBR 5,28X1,78	1
20	36120151	SCREW PLUG M5X6	1
35	50180582S	SPRING RET. (SCREW) M56X1 ANO.	1
36	50180327	AH SCREW M5X30 DIN912	1
37	50180114	INTERM.RING SCREW SPRING RET.	2
40	91210061S	SPRING 250 63 N/MM D=11,5 (62)	x
40*	91210062S	SPRING 250 66 N/MM D=11,75	x
40	91210063S	SPRING 250 69 N/MM (62)	x
42	50180273	CIRCLIP 58,2X2	1
43	50180463S	SPRING RET. D=80 W. O-RING 05	1
44	50180352	O-RING VITON 66,27X3,53	1
45*	50180627	PISTON ROD NUT M20X1	1
46	50180099	O-RING VITON 44,17X1,78	2
47	50180135	PISTON RING 50-8	2
49*	50180675	PISTON D=20	1
51*	50180621	HOLDER D20 M20X1 L=44,3 PDS	1
52	50180578	SHIM D23XD16X2	1
57*	50180631	REBOUND DISC D43 H0 T4	1
58	50180197	PISTON 6+6X7/4,5	1
70*	50180633	NEEDLE L=171 D=2,5	1
71	46811265	O-RING VITON 2,2X1,6	1
72*	50180603S	ADAPTOR CPL. D=50 H=28 08	1
73	50180113	STEEL DISC 18X,5X43,7X6	1
74	50180107	REBOUND RUBBER	1
75*	50180604	SHIM D29,75 X D19 X T0,4 08	1
76*	50180605S	SEAL D18X30X5 08	1
79	50180103	O-RING 41X5	1
80	46180119	DU-BUSH 18X20X12	1
81*	50180606	DUST SEAL 1828 08	1

08SXS0430 / C08SXS0430

\* NEW PART

X AS REQUIRED

# FRONT FORK DISASSEMBLED

125 SXS 2008

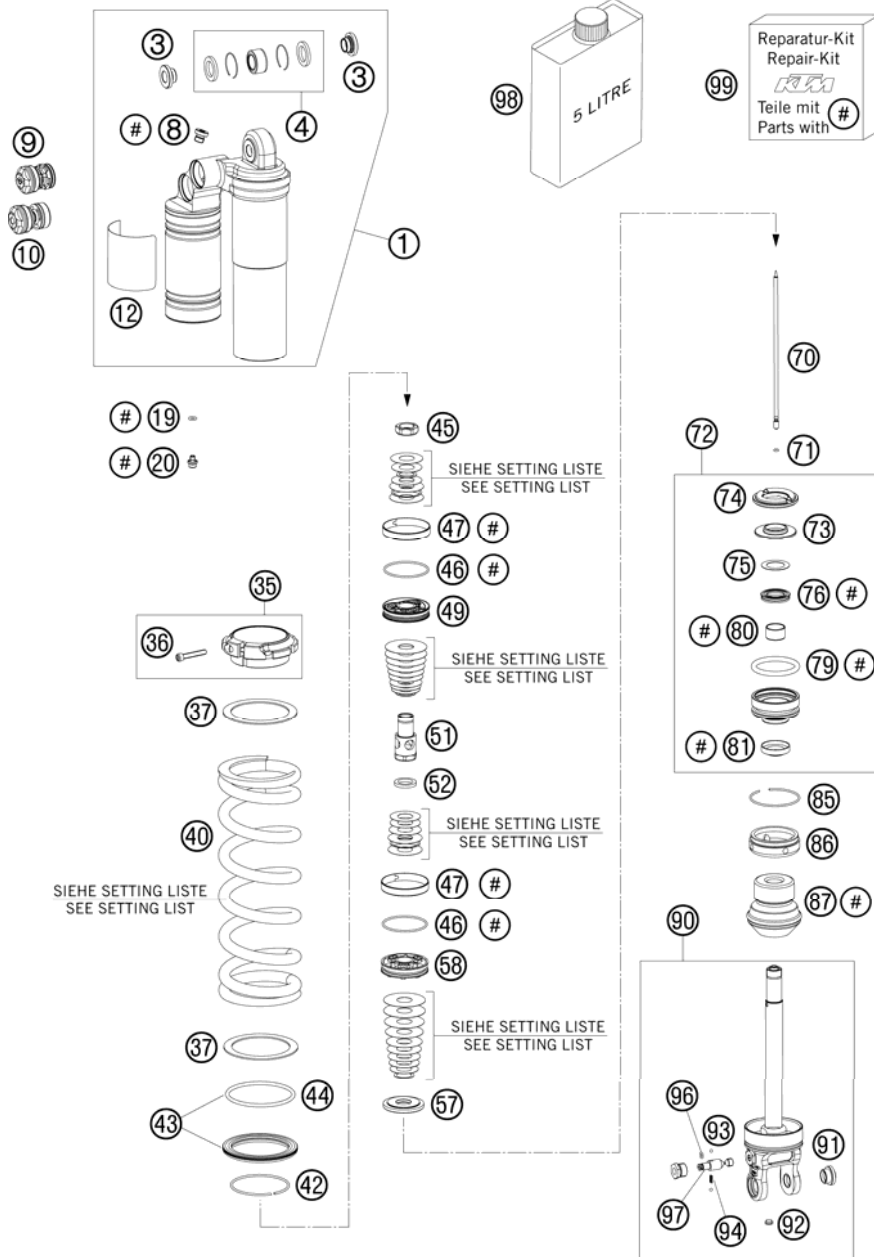


FIG	PART NUMBER	DESCRIPTION	QTY
85	50180126	CIRCLIP 53X1,75	1
86*	50180752	RESERVOIR CAP D=50 H=10 SXS 08	1
87	50180480	BUMP RUBBER D58 D17 H59 SXS 05	1
90*	50180583S2	MONOSH. LOWER PART CPL. SXS 08	1
91	50180105	THREADED BUSH M12 PDS	1
92	50180297	RUBBER PLUG D=8	1
93	40540603	STEEL BALL D=3MM	2
94	48600028	SPRING D=2,9 L=7,9	1
96	50180222	O-RING NBR 4X1,5	1
97	50180434	ADJUSTING SCREW 80 DEG. L=39	1
98	50180342S1	SHOCK ABSORBER FLUID 5 LT '03	1
99	R12014	REPAIR KIT 5018 PDS 06	x

08SXS0430 / C08SXS0430

\* NEW PART

X AS REQUIRED

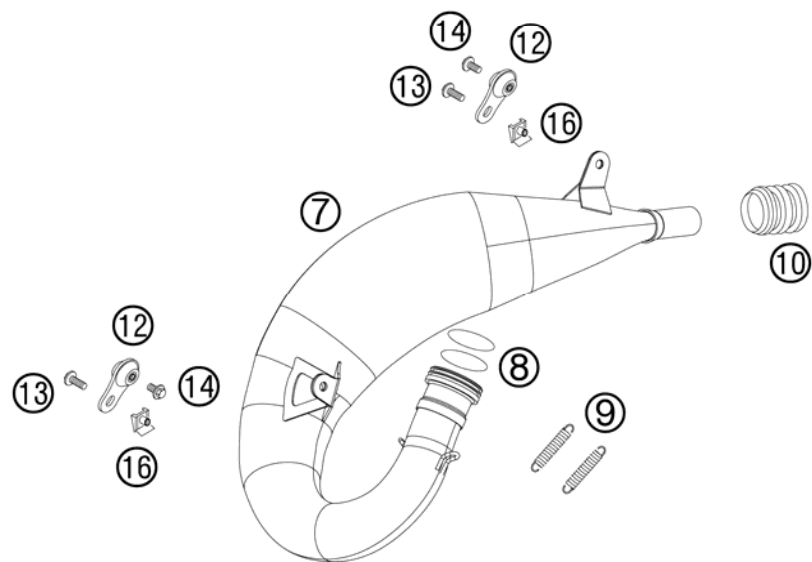
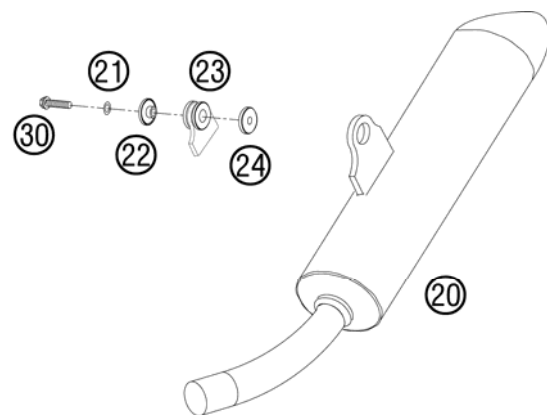


FIG	PART NUMBER	DESCRIPTION	QTY
7	SXS07125501	EXHAUST PIPE 125 SXS 07	1
8	0770440030	O-RING 44,00X3,00 VITON	2
9	50305016000	TEN.SPRING L=62MM EY.MOVEABLE	2
10	54605057000	RUBBER SLEEVE D=21MM/23MM '93	1
12	50305012000	SWINGELEMENT FOR EXHAUST PIPE	2
13*	0024060156	HH COLLAR SCREW M6X15 TX30	2
14*	0024060106	HH COLLAR SCREW M6X10 TX30	2
16	54603048100	RANGE CHANGE METAL NUT M6	2
20	SXS06125551	SILENCER 125 SXS	1
21	0137060003	SPRING WASHER DIN0137-B 6	1
22	77305069000	BUSHING 7.5x12x28x7.6 07	1
23	54605068000	EXHAUST BRACKET RUBBER BLACK	1
24	59405169000	BUSHING SIL.-SMR REAR 2004	1
30*	0025060356	HH COLLAR SCREW M6X35 TX30	1

08SXS0510 / C08SXS0510

\* NEW PART

X AS REQUIRED

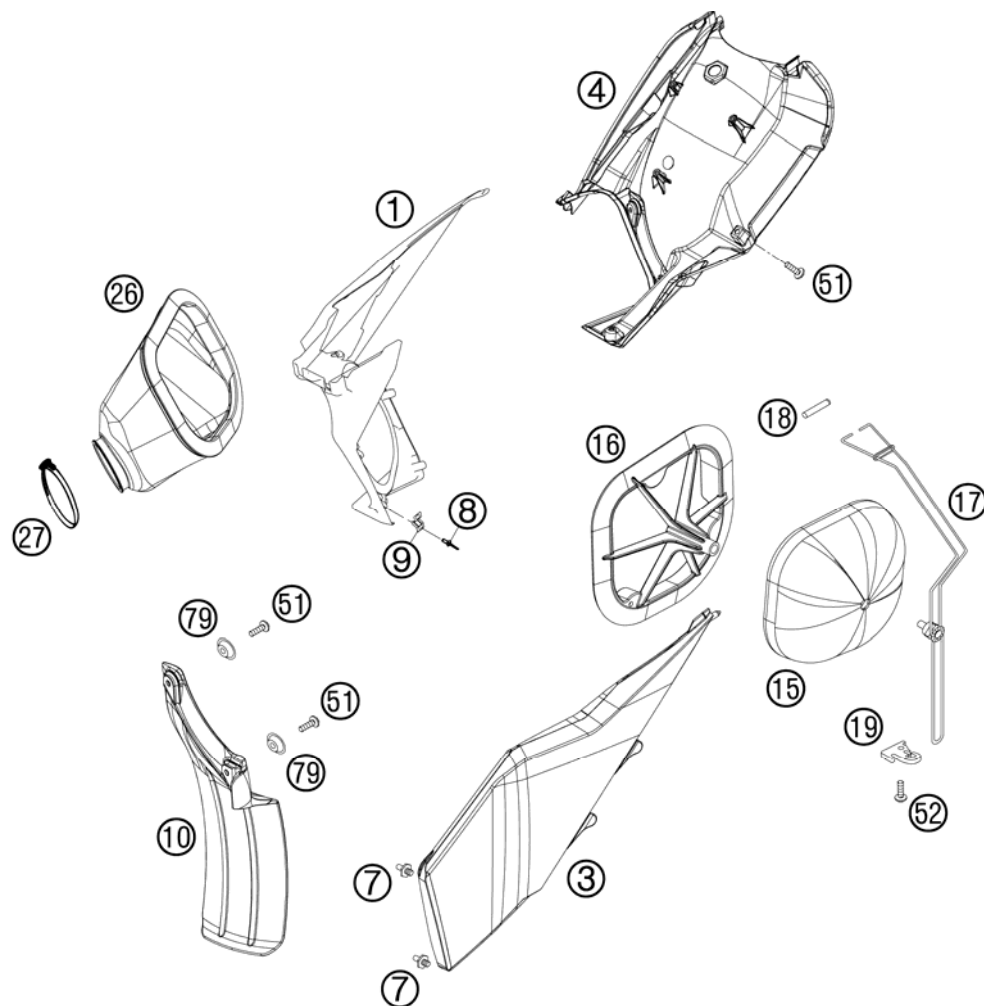


FIG	PART NUMBER	DESCRIPTION	QTY
1*	7730600101030	FILTER WALL SX BLACK 07	1
3*	7730600300030	FILTER BOX COVER SX BLACK 07	1
4	77306001020	REAR PART FILTER BOX 07	1
7	54806008051	QUICK RELEASE-NIPPLE 03	2
8	54806108052	BLIND RIVET 3,3X9,7 GROOVED 04	4
9	54806008050	QUICK RELEASE-SPRING HANGER	2
10	77306010000	FENDER FOR FILTER BOX	1
15	77306015000	AIR FILTER 07	1
16	54806416000	FILTER CARRIER 2S SX 07	1
17	77306017000	FILTER SUPPORT CPL. 07	1
18	77306018000	FILTER SUPPORT BUSH 07	1
19	77306019000	FASTEN. DEVICE FILTER S. SX 07	1
26	54806426000	CABURETOR CONNECTING 2S 07	1
27	51006027000	HOSE CLAMP 50-70MM	1
51	0017060204	EJOT PT SCREW K60X20 ALU WS=6	2
52*	0017060203	EJOT PT SCREW K60X20 WS=6	1
79	77304066050	BUSHING F. CHAIN SLIDING PR.07	2

085230610 / C08SXS0610

\* NEW PART

X AS REQUIRED

# TANK, SEAT, COVER

125 SXS 2008

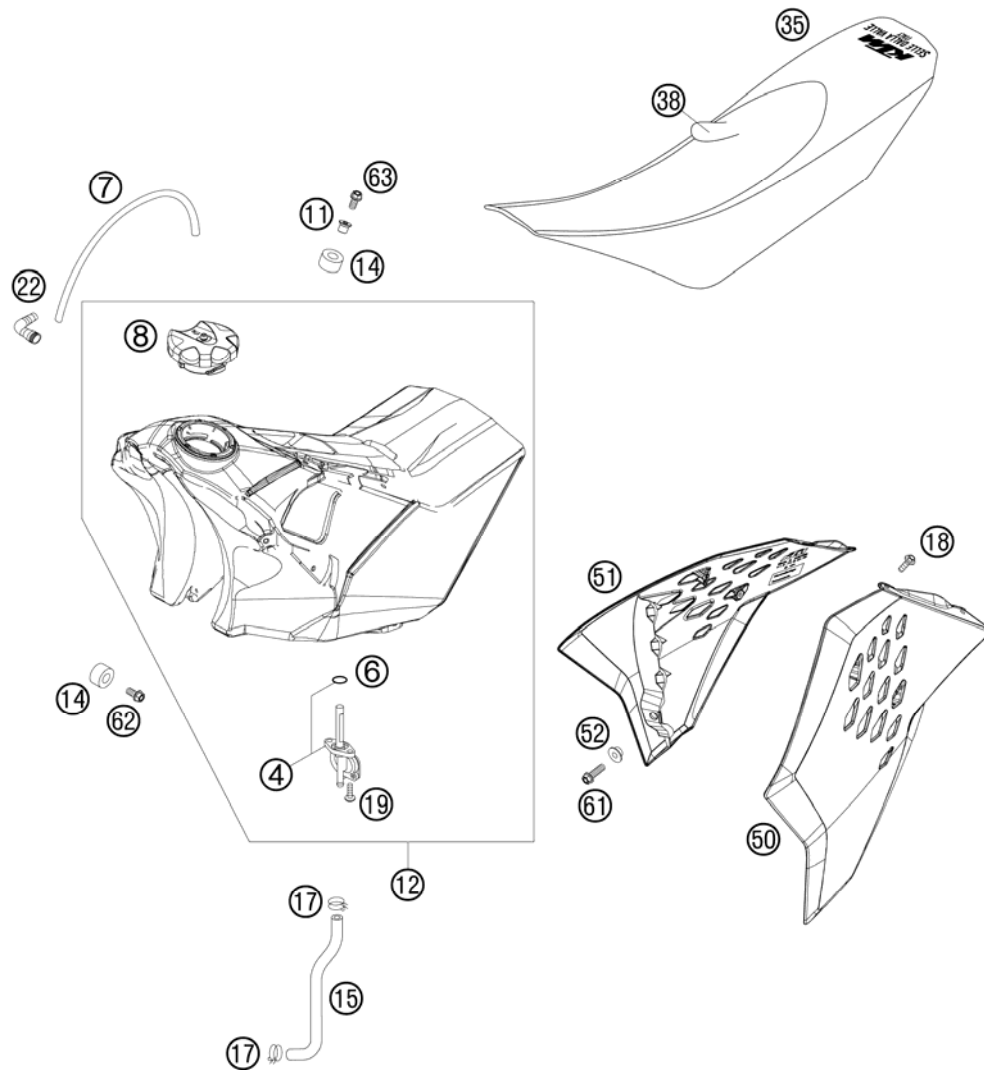


FIG	PART NUMBER	DESCRIPTION	QTY
4	50307005000	GAS COCK MIKUNI ON/OFF 2001	1
6	0770130023	O-RING 13,00X2,30	1
7*	78007000270	PVC-HOSE 5,6X10X270MM	1
8*	7800700804404	TANK PLUG CPL. XCF-W 08	1
11	77307026000	TANK BUSHING 07	1
12*	7730701313330	FUEL TANK CPL. SX 7,5L 08	1
14	50307014000	TANK ROLLER 12X26X12 '98	3
15	54807016000	FUEL PREFORMED HOSE 2STROKE 07	1
17	58031005000	CLAMP YDNAC 10128 12MM	2
18	0017060204	EJOT PT SCREW K60X20 ALU WS=6	8
19	0017060203	EJOT PT SCREW K60X20 WS=6	2
22	51030022000	ANGLE PIECE 90 DEGREE M10X1	1
35*	77307140000	SEAT SXS 08	1
38*	77307140050	SEAT COVER 08	1
50*	7730805000030G	SPOILER L/S BLACK SXS 08 WITH DECAL	1
51*	7730805100030G	SPOILER R/S BLACK SXS 08 WITH DECAL	1
52	50308052000	BUSH FOR SPOILER 6X11X16X5 MM	2
61*	0025060206	HH COLLAR SCREW M6X20 TX30	2
62*	0025060126	HH COLLAR SCREW M6X12 TX30	2
63	0024060273	COLLAR SCREW M6X27 TX	1

08SXS0710 / C08SXS0710

\* NEW PART

X AS REQUIRED



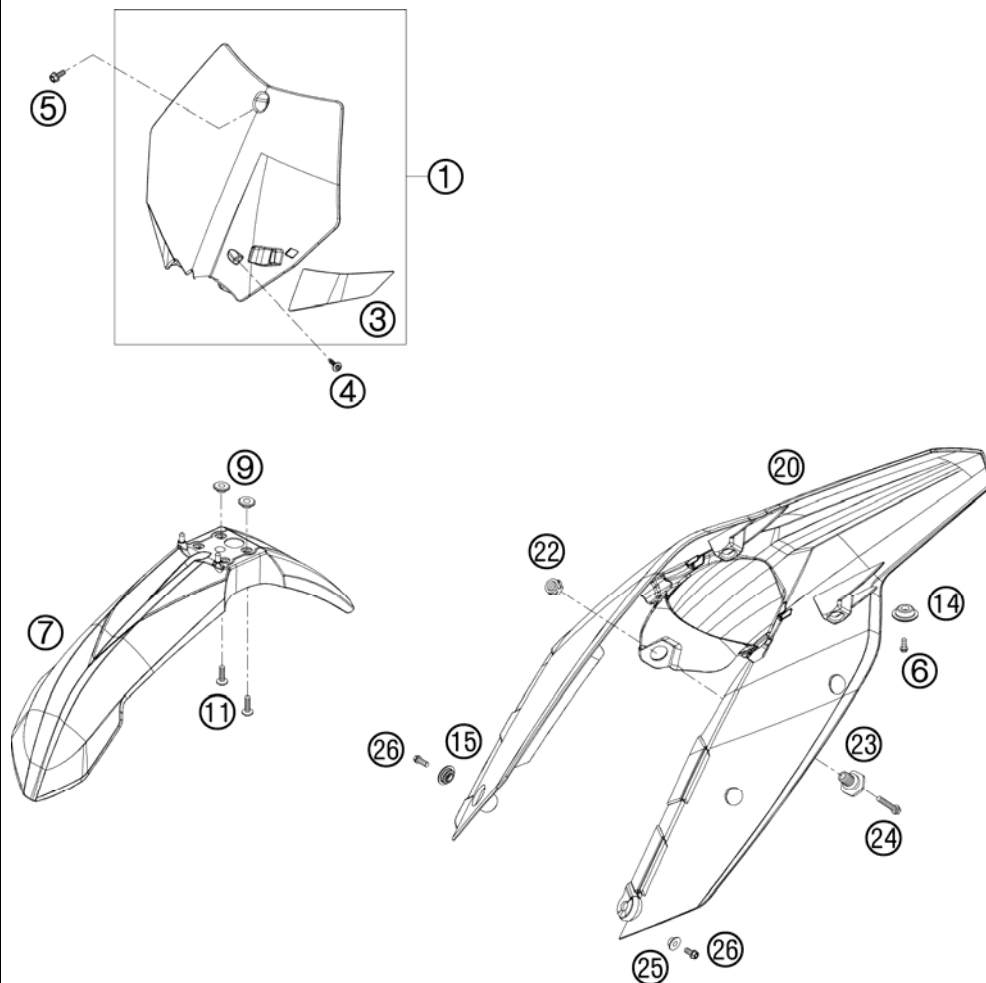


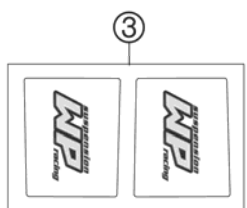
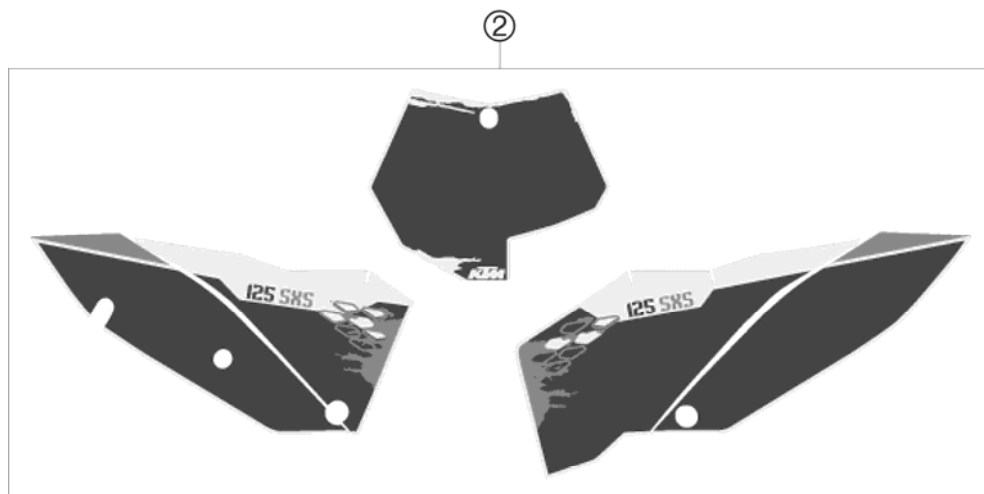
FIG	PART NUMBER	DESCRIPTION	QTY
1	7730800704404	NUMBER PLATE CPL. ORANGE 07	1
3	7730802200004	BRAKE HOSE GUIDE ORANGE 07	1
4	0017060203	EJOT PT SCREW K60X20 WS=6	1
5*	0024060106	HH COLLAR SCREW M6X10 TX30	1
6*	0025050166	HH COLLAR SCREW M5X16 TX30	2
7	7730801000004	FRONT FENDER 07	1
9	54808020000	SPACER BUSHING 03	4
11*	0024060206	HH COLLAR SCREW M6X20 TX30	4
14	77308013010	COLLAR BUSH. F.REAR FENDER 07	2
15	77306001030	COLLAR BUSHING 4,5/12,6/23	1
20	7730801300004	REAR FENDER SX ORANGE 07	1
22	50314057050	COLLAR NUT M12X1/WS17 H=5MM	1
23	54807048000	BUSHING FOR SEAT FASTENING 03	1
24*	0025060256	HH COLLAR SCREW M6X25 TX30	1
25	50308052000	BUSH FOR SPOILER 6X11X16X5 MM	1
26*	0025060206	HH COLLAR SCREW M6X20 TX30	4

085030810 / C08SXS0810

\* NEW PART

X AS REQUIRED

FIG	PART NUMBER	DESCRIPTION	QTY
2*	50308291600	DECAL SET 125 SXS 08	1
3	52000026	STICKER FR.FORK-SET WP TRANSP.	1



08SXS0830 / C08SXS0830

\* NEW PART

X AS REQUIRED

# FRONT WHEEL

125 SXS 2008

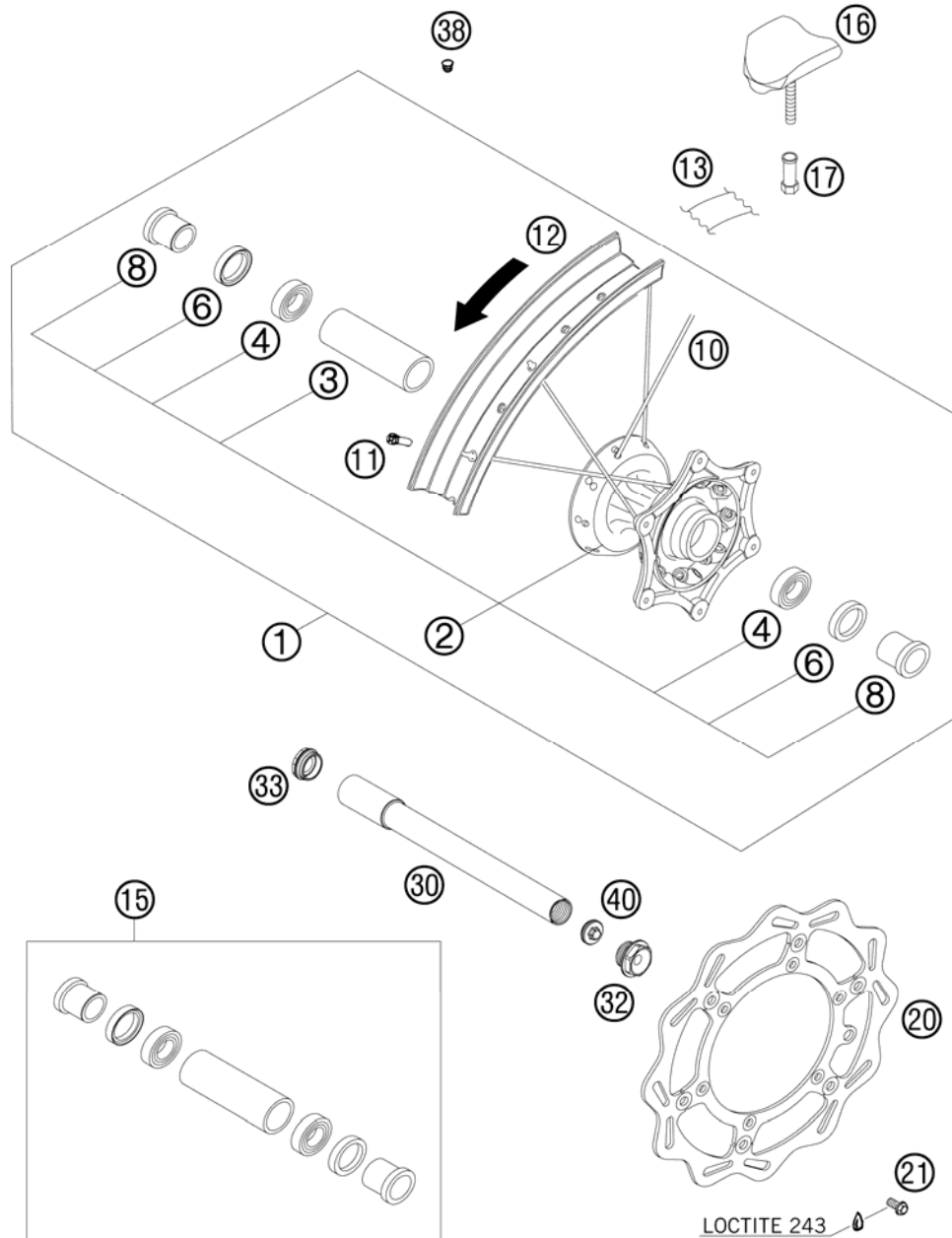


FIG	PART NUMBER	DESCRIPTION	QTY
1*	7730900114430	FRONTWHEEL CPL.1,6X21EXCEL 08	1
2*	78009010044	FRONT WHEEL HUB CPL. 08	1
3	54809011000	BEA.SPACERTUBE 35X2 L=79,4 03	1
4	0625069068	GR.BALL BEAR.6906 DDU2CG23S6NM	2
6	0760354771	SHAFT SEAL RING 35X47X7 TC	2
8*	78009012000	SPACER BUSHING F. FR. WHEEL 08	2
10*	78009074226	SPOKE M4,5X226-21" 08	36
11*	50309072100	SPOKE NIPPLE M4,5X0,75 8X21	36
12*	7730907000030	RIM 1,6"X21" EXCEL SXS 08	1
13	50309073000	RIM BAND 21"	1
15*	78009015000	FRONT WHEEL REP. KIT	x
16	51009100100	RIM LOCK VM1 (1,60")	1
17	50310090050	NUT FOR WHEEL HOLDER '96	1
20	54809060300	FRONT BRAKE DISC D=260 MM	1
21	59009062013	SPECIAL SCREW M6X13 WS=8 10.9	6
30	77309081000	WHEEL SPIN.FR. D=26 M24x1,5 07	1
32	54809082000	SPINDLE SCREW M24X1,5 WS=27 03	1
33	54809081050	PLUG BUSHING WS=27 03	1
38	55003135000	PLUG FOR RIM	x
40	54809081070	AUXILIARY SCREW FRONT 06	1

08SXS0910 / C08SXS0910

\* NEW PART

X AS REQUIRED

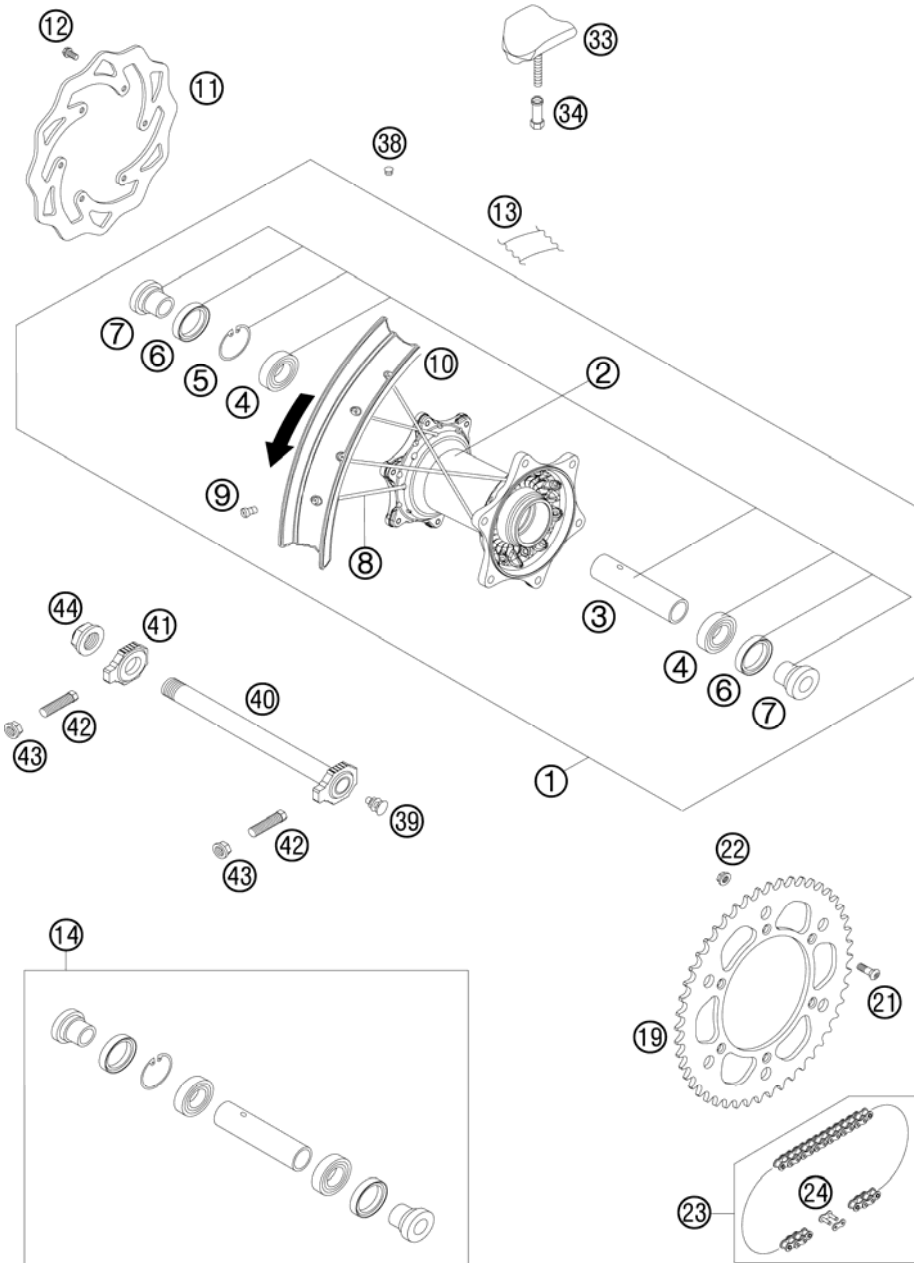


FIG	PART NUMBER	DESCRIPTION	QTY
1*	7731000114430	REARWHEEL CPL.2,15X19 EXCEL 08	1
2*	78010010044	REAR HUB CPL. 08	1
3	59010011000	BUSHING SPACER TUBE 121,5MM 01	1
4	0625060058	GR.BALL BEAR.6005 DDU2CG23S6NM	2
5	0472047175	CIRCLIP DIN0472-47X1,75	1
6	0760324771	SHAFT SEAL RING 32X47X7 BSL	2
7*	78010016000	BUSHING FOR HUB 08	2
8*	77310074206	SPOKE M5X206-19" 08	36
9*	58309072100	SPOKE NIPPLE M5-TA 8X21MM	36
10*	7731007000030	RIM 2,15"X19" EXCEL SXS 08	1
11*	77310060000	BRAKE DISC REAR 220	1
12	59009062013	SPECIAL SCREW M6X13 WS=8 10.9	6
13	50310073200	RIM BAND 18" AND 19"	1
14*	78010015000	REAR WHEEL REP. KIT	x
19	58310051038	REAR SPROCKET 38-T	x
19	58310051042	REAR SPROCKET 42-T	x
19	58310151040	REAR SPROCKET 40-T	x
19	58310151045	REAR SPROCKET 45-T	x
19	58310151048	REAR SPROCKET 48-T	x
19	58310151049	REAR SPROCKET 49-T	x
19	58310151050	REAR SPROCKET 50-T	x
19	58310151051	REAR SPROCKET 51-T	x
19	58310151052	REAR SPROCKET 52-T	x
21*	0019080266S	COUNTER-SUNK SCREW ISA45 M8X26	6
22	54310086200	SELF LOCKING NUT M8 10.9	6
23	50310165118	CHAIN 5/8X1/4" MX	1
24	50310166000	CONNECTING LINK F. 50310165118	1
33	54010100100	RIM LOCK VM3 (2.15")	2
34	50310090050	NUT FOR WHEEL HOLDER '96	2
38	55003135000	PLUG FOR RIM	x
39	50210086000	COVERING CAP SFL16	x
40	77310085044	WHEEL SPINDLE RE. CPL.265MM 07	1
41	50310084000	CHAIN TENSIONER R/S 2000	1
42	50304040100	SCREW M10X1,25X50 WS=10	2
43	58414030000	HH COLLAR NUT M10X1,25 WS=13	2
44	50310099000	HEXAGON NUT M20X1,5 '98	1

085231010 / C08SXS1010

\* NEW PART

X AS REQUIRED

# HAND BRAKE CYLINDER

125 SXS 2008

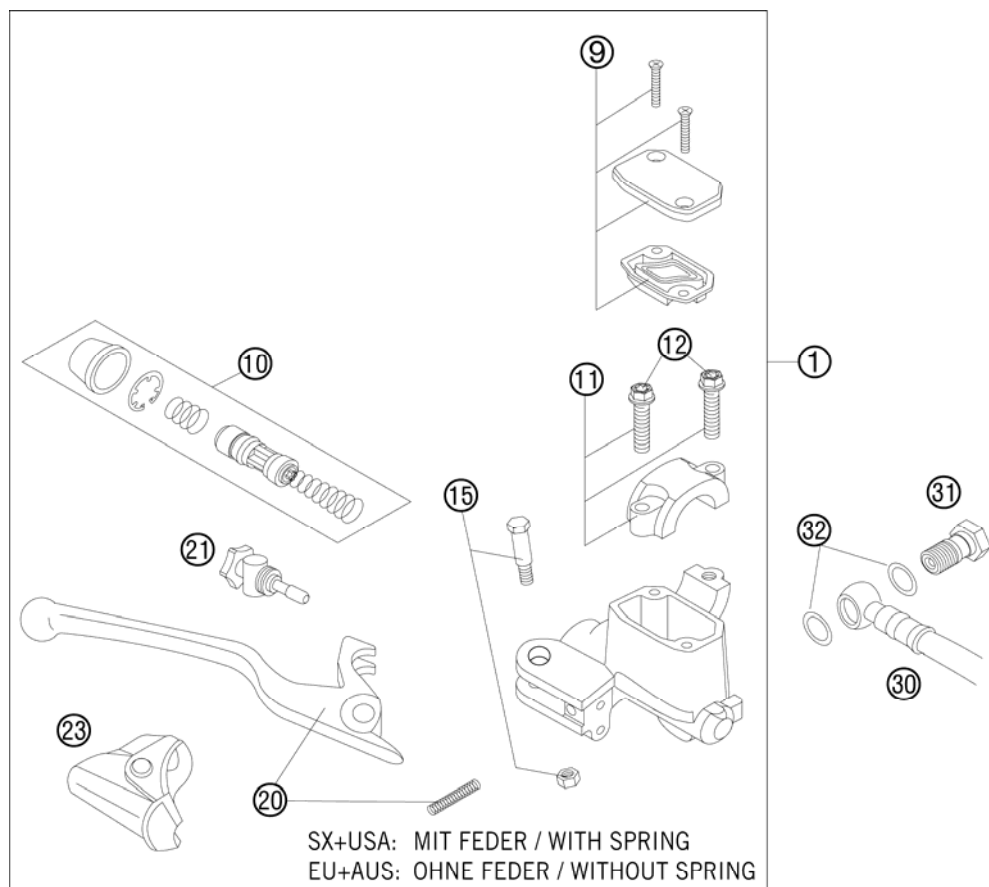


FIG	PART NUMBER	DESCRIPTION	QTY
1	54813001200	HAND BRAKE CYLINDER CPL. SX 06	1
9	50313003000	HANDBRAKE CYL. COVER CPL. NATURE	1
10	54813008200	REP. SET PISTON D=10MM 2006	1
11	50313005000	CLAMP CPL. NATURE	1
12*	0025060256	HH COLLAR SCREW M6X25 TX30	2
15	50313006100	LEVER SCREW CPL. 2001	1
20	54813002100	HAND BRAKE LEVER + SPRING 2006	1
21	54813007200	ADJUSTING SCREW CPL. EXC 2006	1
23	50313004000	PROTECTION CAP HAND BRAKE CYL.	1
30	59013010000	BRAKEHO. FRONT 1235MM 2000	1
31	50213025000	HOLLOW SCREW M10X1X19	1
32	0603100141	COPPER GASKET DIN7603-10X14X1	2
80	00062030000	BRAKE FLUID DOT5.1 0,25L	1

085481310 / C085031311

\* NEW PART

X AS REQUIRED

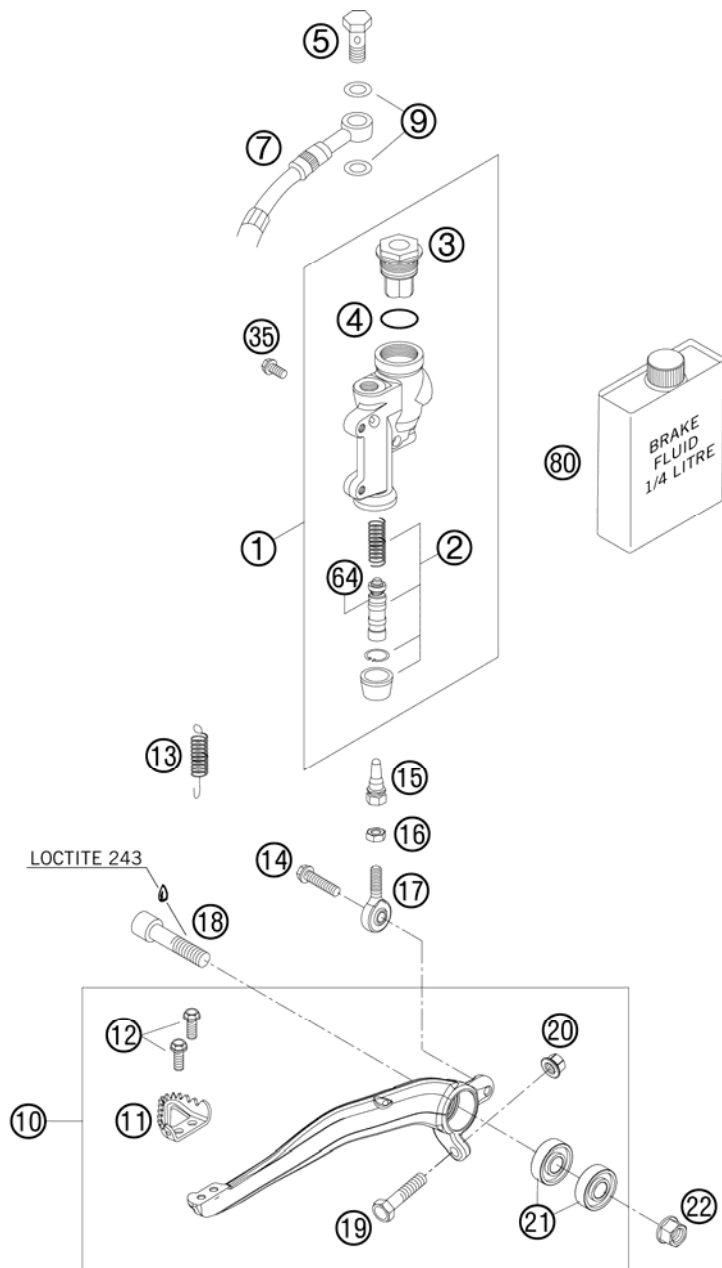


FIG	PART NUMBER	DESCRIPTION	QTY
1	54813060100	REAR BRAKE CYLINDER CPL. 2004	1
2	54813061200	REPAIR KIT PISTON 13MM 06	1
3	54813062100	REAR BRAKE CYL. COVER CPL. 04	1
4	54813063000	FOOT-BRAKE CYL. GASKET SX 03	1
5	54813020100	HOLLOW SCREW BLACK M10X1X19	1
7	54813070000	BRAKE HOSE REAR 655MM 03	1
9	0603100141	COPPER GASKET DIN7603-10X14X1	2
10	77313050044	FOOT BRAKE LEVER CPL. 07	1
11	54813051000	STEP PLATE FOR BRAKE LEVER	1
12*	0025050126	HH COLLAR SCREW M5x12 TX30	2
13	54603062000	RETURN SPRING FOR BRAKE LEVER	1
14*	0025060206	HH COLLAR SCREW M6X20 TX30	1
15	54813056000	PUSH ROD L=28MM 03	1
16	0934060003	HEXAGON NUT DIN0934-M 6	1
17	54813055000	SWIVEL HEAD KA6 03	1
18	0912100406	AH SCREW DIN6912 M10X40 10.9	1
19	59001037000	SPECIAL SCREW M8X26 WS=10	1
20	46030045000	COLLAR NUT M8 WS=10	1
21	0625060002	BALL BEARING SKF 6000-2RS1	2
22	54630044000	COLLAR NUT M10 WS=13	1
35*	0025060126	HH COLLAR SCREW M6X12 TX30	2
64	54813064200	BELLOWS FOR REPAIR KIT 06	1
80	00062030000	BRAKE FLUID DOT5.1 0,25L	1

085031330 / C085031330

\* NEW PART

X AS REQUIRED

# BRAKE CALIPER FRONT

125 SXS 2008

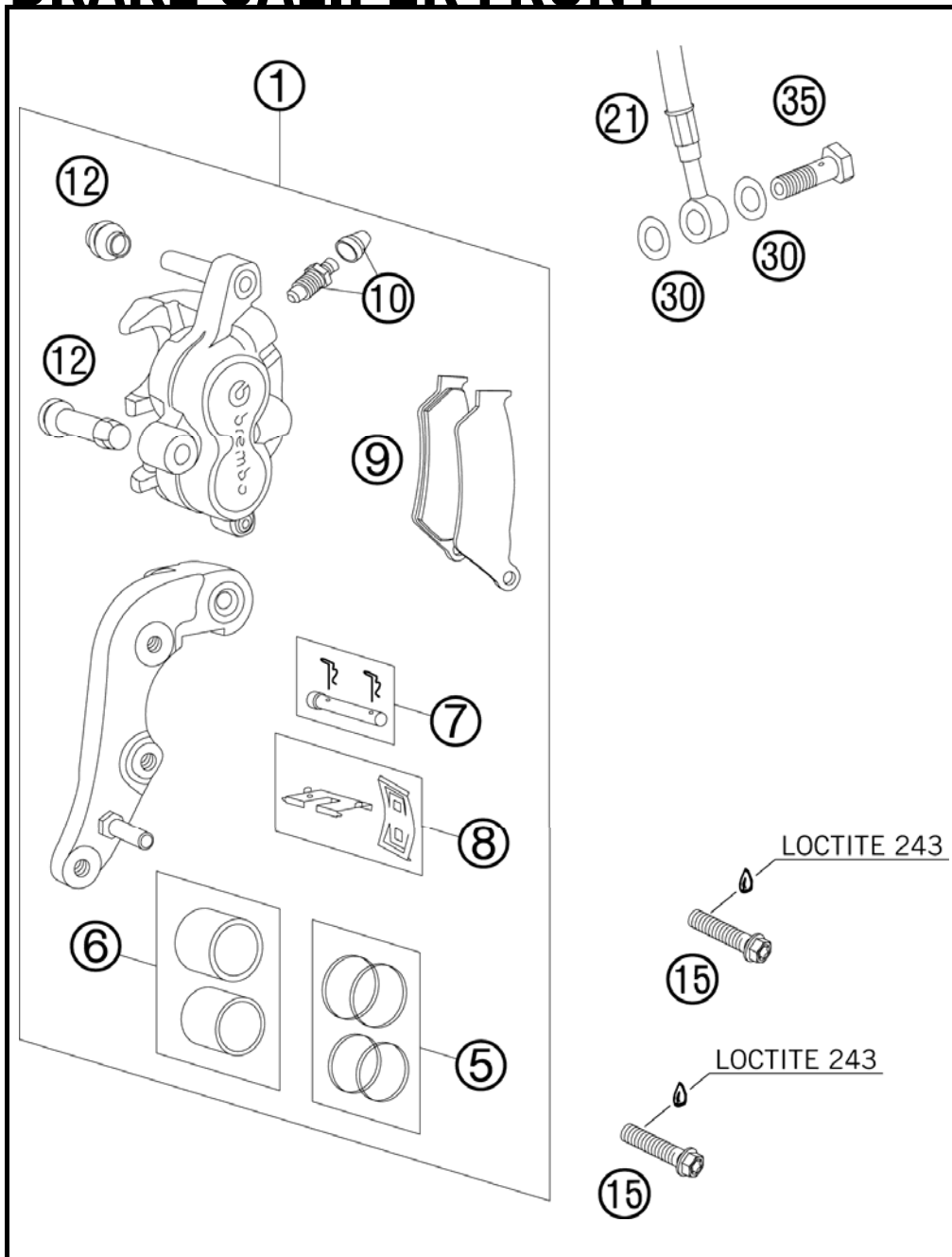


FIG	PART NUMBER	DESCRIPTION	QTY
1	SXS06125512	BRAKECALIPER FRONT BREMBO 2006	1
5	54613205000	REPAIR KIT 28MM	1
6	54613206000	REPAIR KIT PISTON 28MM	1
7	54613210100	BOLT CPL. 6X56	1
8	54613212000	RETAINING PLATE SET BREMBO	1
9	50313030200	BRAKEP.SET FR.TOSHIBA TT2701HH	1
10	60013020000	BLEEDER SCREW WITH CAP	1
12	54613218000	CUP SET SHORT	1
15*	0025080356S	HH COLLAR SCREW M8X35 TX40	2
21	59013010000	BRAKEHO. FRONT 1235MM 2000	1
30	0603100141	COPPER GASKET DIN7603-10X14X1	2
35	50213025000	HOLLOW SCREW M10X1X19	1

085031360 / C08SXS1360

\* NEW PART

X AS REQUIRED

# BRAKE CALIPER REAR

125 SXS 2008

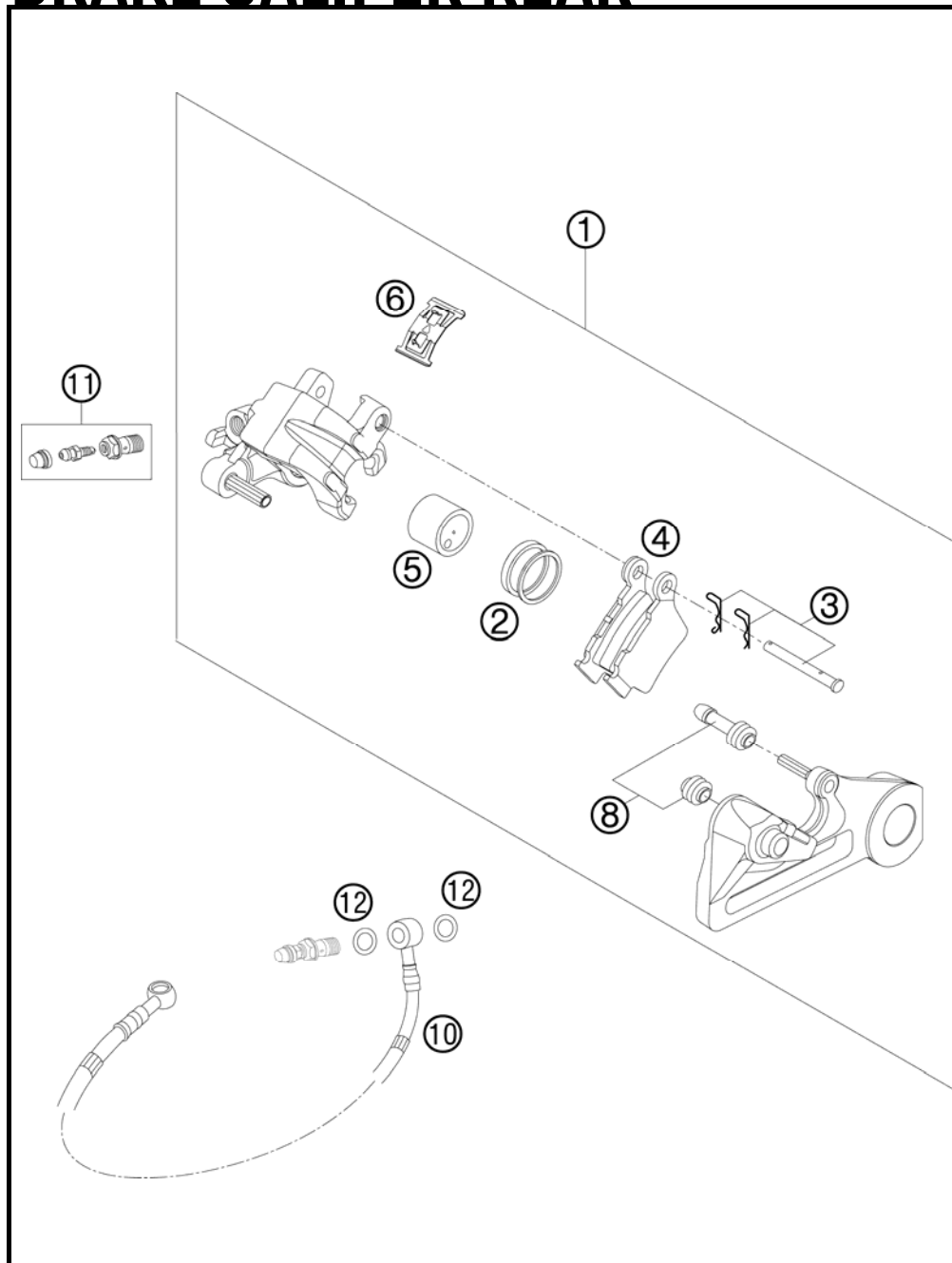


FIG	PART NUMBER	DESCRIPTION	QTY
1	SXS07125712	BRAKECALIPER BACK BREMBO 2007	1
2	50313081200	REPAIR KIT SEALING RINGS 26MM	1
3	54813082000	BOLT SET FOR BRAKE CALIPER 03	1
4	54813090300	BRAKE PAD SET REAR TOYO	1
5	54813083000	BRAKE PISTON 26MM 2003	1
6	54813018000	RETAINING SPRING SET 2003	1
8	54613218000	CUP SET SHORT	1
10	54813070000	BRAKE HOSE REAR 655MM 03	1
11	54813020000	BLEEDER HOLLOW SCREW M10X1	1
12	0603100141	COPPER GASKET DIN7603-10X14X1	2

085481390 / C08SXS1390

\* NEW PART

X AS REQUIRED



①  
OHNE ABBILDUNG  
WITHOUT ILLUSTRATION

②  
TECHNISCHE DOKUMENTATION  
TECHNICAL DOCUMENTATION  
DOCUMENTACION TECNICA  
DOCUMENTATION TECHNIQUE  
NOTE TECNICHE

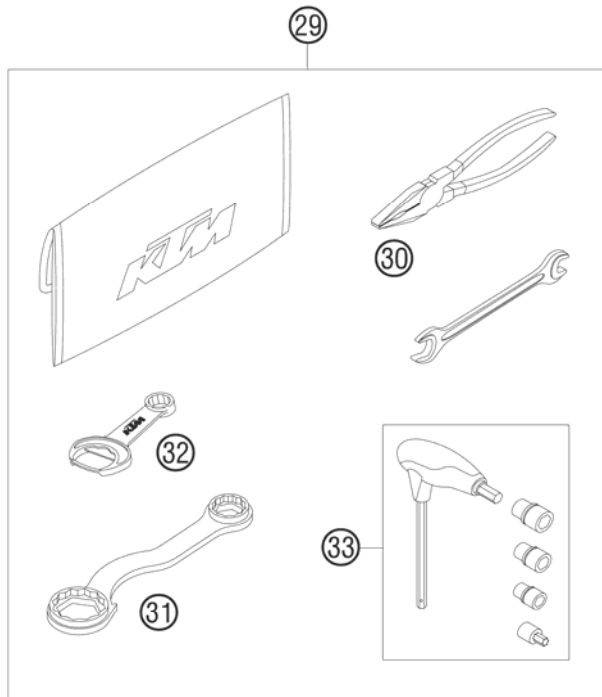
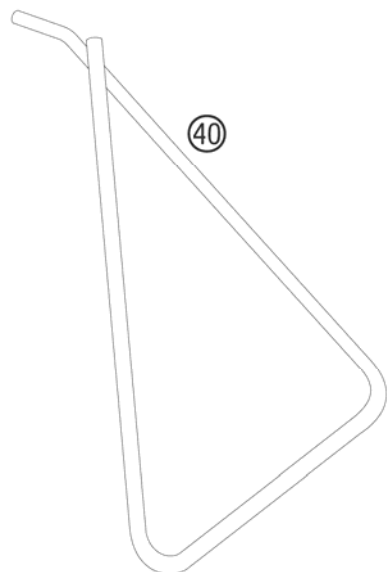
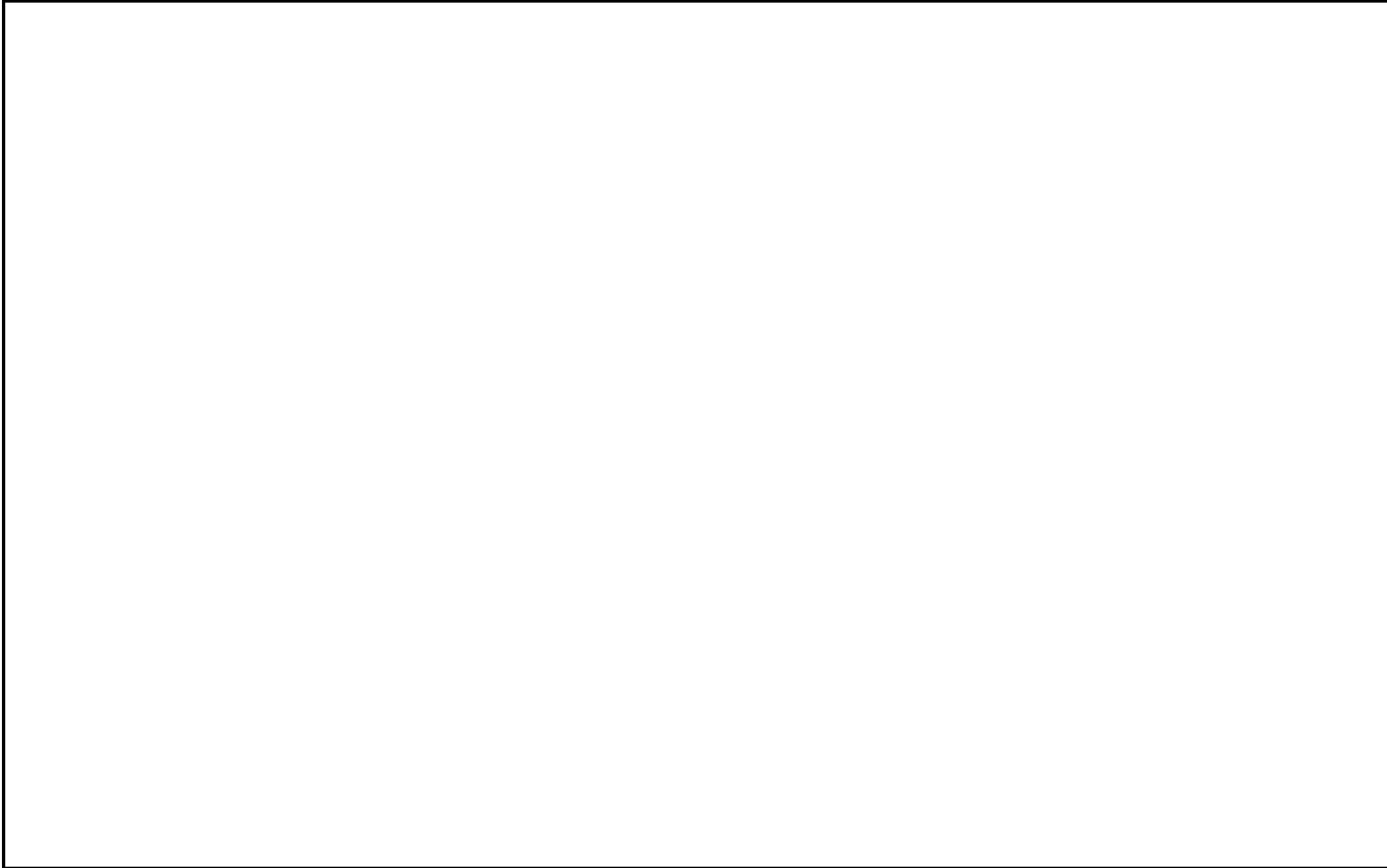


FIG	PART NUMBER	DESCRIPTION	QTY
0	312305	DOCUMENTS BAG 2006	1
0	312313	KTM BALLPOINT ORANGE	1
0	5030314013390	FOOTREST L.+R. CPL. 03	1
0	52000026	STICKER FR.FORK-SET WP TRANSP.	1
0	7700207900004	HAND GUARDS CPL.L/S+R/S OR. 06	1
0	77303094100	PLASTIC FRAME PROTECTION SET	1
0	77303192000	PROTECTIVE FILM FRAME LEFT 07	1
0	77303193000	PROTECTIVE FILM FRAME RIGHT 07	1
0	SXS05250700	FILLER CAP ALU-BLACK	1
0	SXS07250800	FATBAR PAD PHDS	1
1*	3211252	OWNERS MANUAL 125/250SXS 2008	1
1*	3CF6100H1EN	SPM CHASSIS 125 SXS 2008	1
1*	3CM081523HEN	SPM ENGINE 125 SXS 2008	1
1*	SXS08000000	SXS-TEST AND TUNE HANDOUT	1
29	54829099000	ORIGINAL EQUIPMENT TOOL KIT	1
30	53012028200	GRIP ORANGE B&F	1
31	50329080100	WRENCH SW=17/21/27/32 B&F	1
32	50329071000	WRENCH WS=13/17	1
33	60029070200	T-WRENCH WS=6/8/10 TX=45 B&F	1
40	54603020000	PLUG IN STAND	1

08SXS2000 / C08SXS2000

\* NEW PART

X AS REQUIRED







KTM-Sportmotorcycle AG  
A-5230 Mattighofen  
[www.ktm.at](http://www.ktm.at)

KTM Group Partner



3CF6100H1EN



Art.Nr.: 3CF6100H1EN 11/2007