

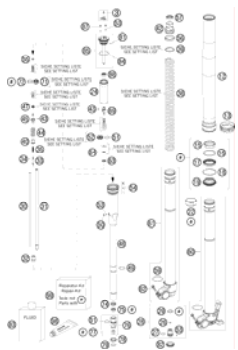
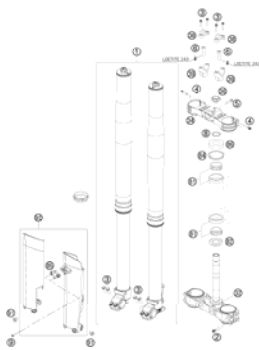

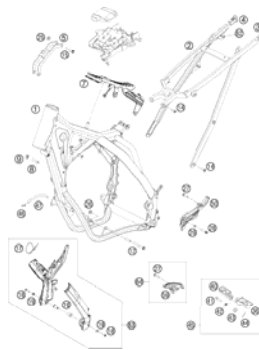
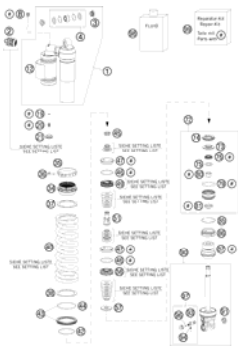
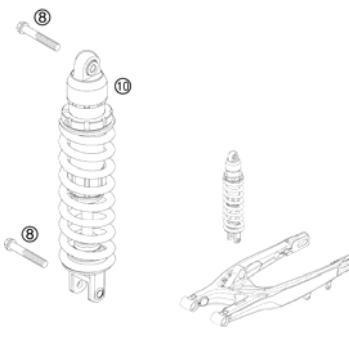
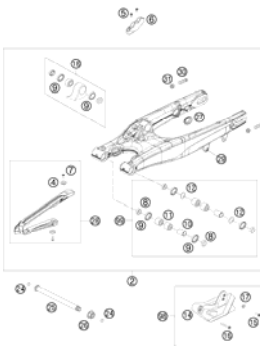
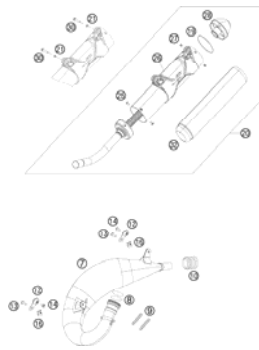
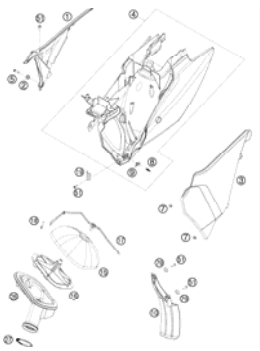
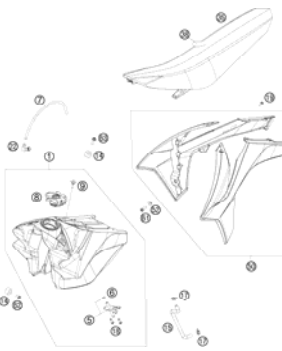
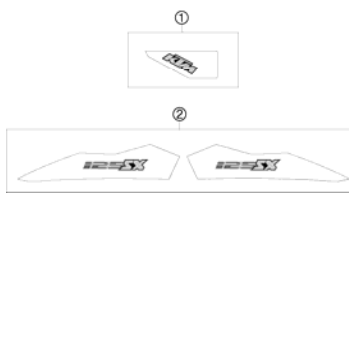
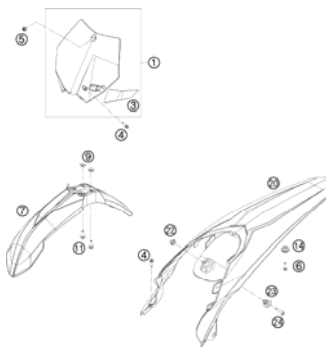
125 SX 2011

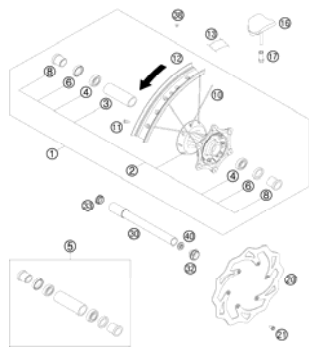
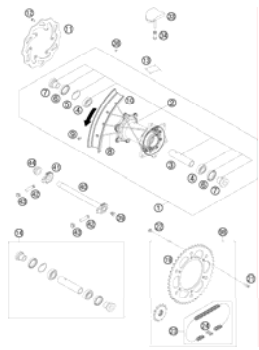
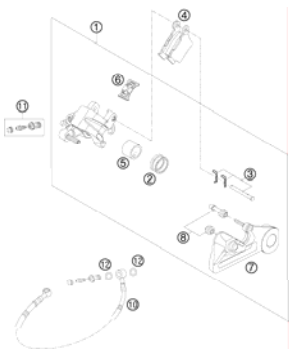
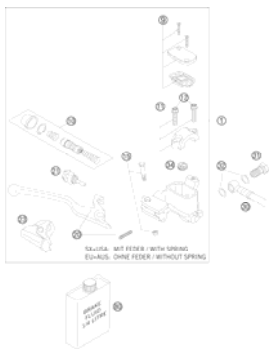
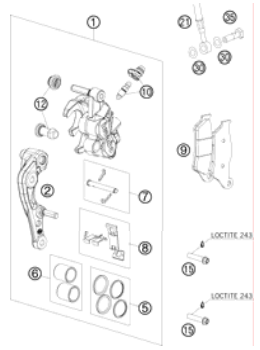
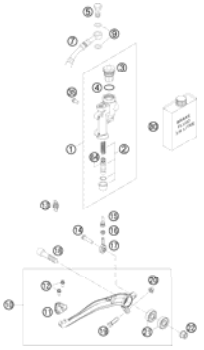
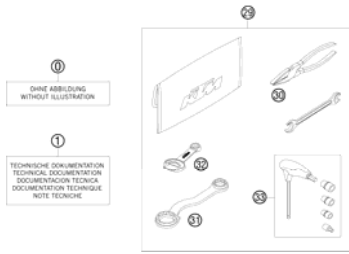
SPARE PARTS MANUAL: CHASSIS

ART.NO.: 3CF6101K0EN

ENGLISH



<p>FRONT FORK DISASSEMBLED</p>  <p>3</p>	<p>FRONT FORK, TRIPLE CLAMP</p>  <p>5</p>	<p>HANDLEBAR, CONTROLS</p>  <p>6</p>	<p>FRAME</p>  <p>7</p>
<p>SHOCK ABSORBER DISASSEMBLED</p>  <p>8</p>	<p>SHOCK ABSORBER</p>  <p>10</p>	<p>SWING ARM</p>  <p>11</p>	<p>EXHAUST SYSTEM</p>  <p>12</p>
<p>AIR FILTER</p>  <p>13</p>	<p>TANK, SEAT, COVER</p>  <p>14</p>	<p>DECAL</p>  <p>15</p>	<p>MASK, FENDERS</p>  <p>16</p>

<p>FRONT WHEEL</p>  <p style="text-align: right;">17</p>	<p>REAR WHEEL</p>  <p style="text-align: right;">18</p>	<p>BRAKE CALIPER REAR</p>  <p style="text-align: right;">20</p>	<p>HAND BRAKE CYLINDER</p>  <p style="text-align: right;">21</p>
<p>BRAKE CALIPER FRONT</p>  <p style="text-align: right;">22</p>	<p>REAR BRAKE CONTROL</p>  <p style="text-align: right;">23</p>	<p>ACCESSORIES KIT</p>  <p style="text-align: right;">24</p>	
	<div style="display: flex; align-items: center;"> <div style="background-color: #ccc; padding: 20px; font-size: 48px; margin-right: 20px;">!</div> <div> <p>All information contained is without obligation. KTM-Sportmotorcycle AG particularly reserves the right to modify any equipment, technical specifications, prices, colors, shapes, materials, services, service work, constructions, equipment and the like so as to adapt them to local conditions or to cancel any of the above items, all without previous announcement and without giving reasons. KTM may stop manufacturing certain models without previous notice. KTM shall not be held liable for any deviations of availability and/or ability to deliver, illustrations, descriptions, printing and/or other errors. The illustrated models partly contain extra equipment, which is not applied to standard models. © by KTM-SPORTMOTORCYCLE AG, Mattighofen AUSTRIA; All rights reserved; Reprint, also in extracts, with written allowance of KTM-SPORTMOTORCYCLE AG, Mattighofen only.</p> </div> </div>		

FRONT FORK DISASSEMBLED

125 SX 2011

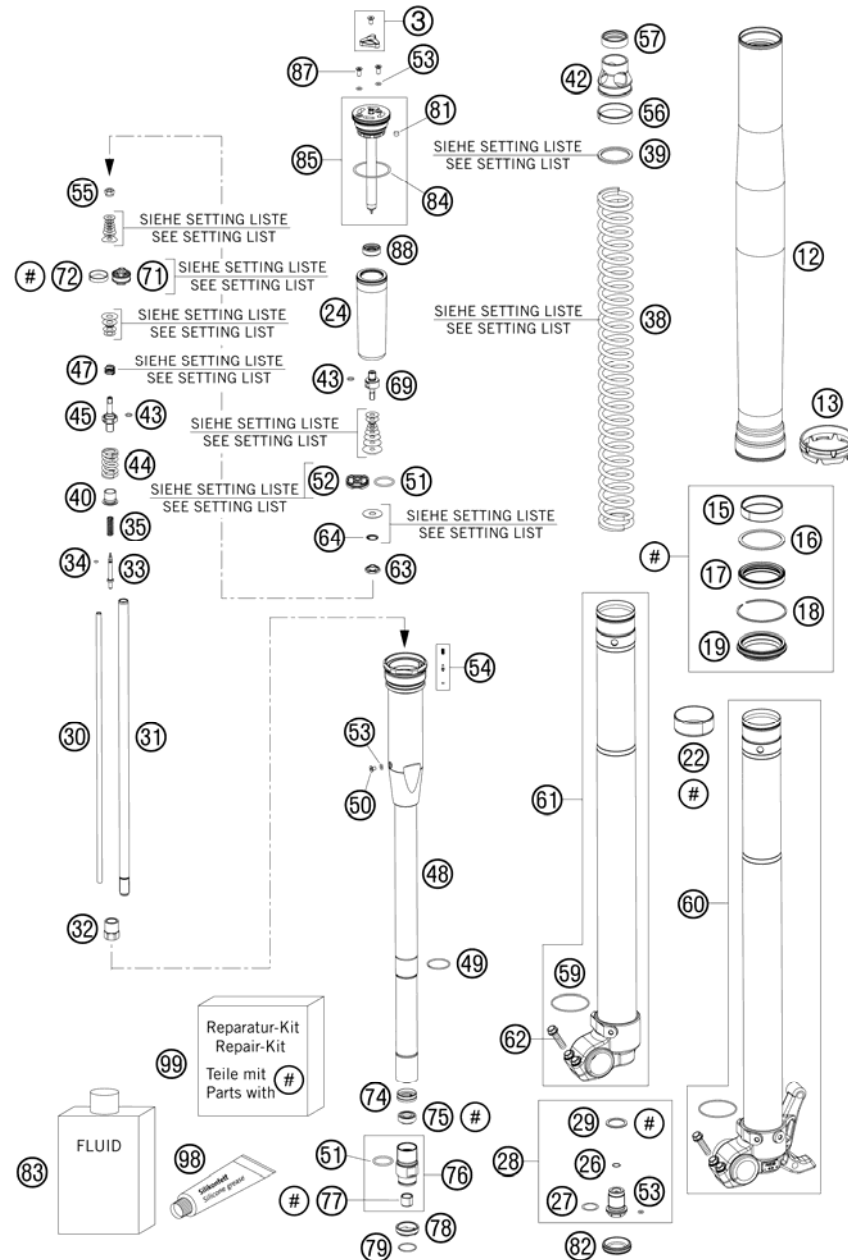


FIG	PART NUMBER	DESCRIPTION	QTY
3	48600811S	ADJUSTING KNOB + SCREW	2
12	48600736	OUTER TUBE L577 D54/60MM 2L	2
13	48600698	FORK PROTECTION RING 08	2
15	48600429	DU-BUSH D48XD52X12DDL02	2
16	48600013	SUPPORT RING 50 X 57,6 X 1,5	2
17	48600347	OIL SEAL RING 48X57,8X9,5 03	2
18	48600070	LOCK WASHER SB58	2
19	48600816	DUST SEAL	2
22	48600428	DU-BUSH D47XD49X20DDL02	2
24	48600281	MEMBRANE	2
26	48600301	O-RING NBR 9,5X1,5	2
27	46810811	O-RING NBR 17X2 PA	2
28	48600280S	SCREW BUSH M20X1 L=33 CPL.	2
29	48600275	COPPER WASHER 20,5X26X1	2
30	48600269	ADJUSTING TUBE L=371	2
31	48600464	PISTON ROD SXS 2005	2
32	48600459	COUNTERNUT M12X1 WS17	2
33	48600887	REBOUND NEEDLE SX	2
34	48600298	O-RING 2X1,5 NBR	2
35	48600444	REBOUND SPRING C=4N/MM	2
38	91410020S	SPRING 4,8N/MM SET D=5,25 MM	x
38	91410027S	SPRING 4,4 N/MM SET D=5,1MM	x
38	91410028S	SPRING 4,6 N/MM SET D=5,1MM	x
38	91410030S	SPRING 5,0 N/MM	x
38	91410059S	SPRING 4,0 N/MM SET	x
38	91410060S	SPRING 4,2 N/MM SET D=5,0MM	x
39	48600456	SPACER 43X35X2,5	x
39	48600457	SPACER 43X35X5	x
39	48600458	SPACER 43X35X1,5	x
40	48600525	GUIDING BUSH REBOUND SPRING	2
42	48600520	SPRING SUPPORT	2
43	48600299	O-RING 6X1,2 NBR	4
44	48600578	SPRING REB. L=32 C=37 DI=13,9	2
45	48600576	PISTON ROD REBOUND	2
47	48600382	SHUTTLE VALVE SPRING C=0,4	2

105230131 / C105150130

* NEW PART

X AS REQUIRED

FRONT FORK DISASSEMBLED

125 SX 2011

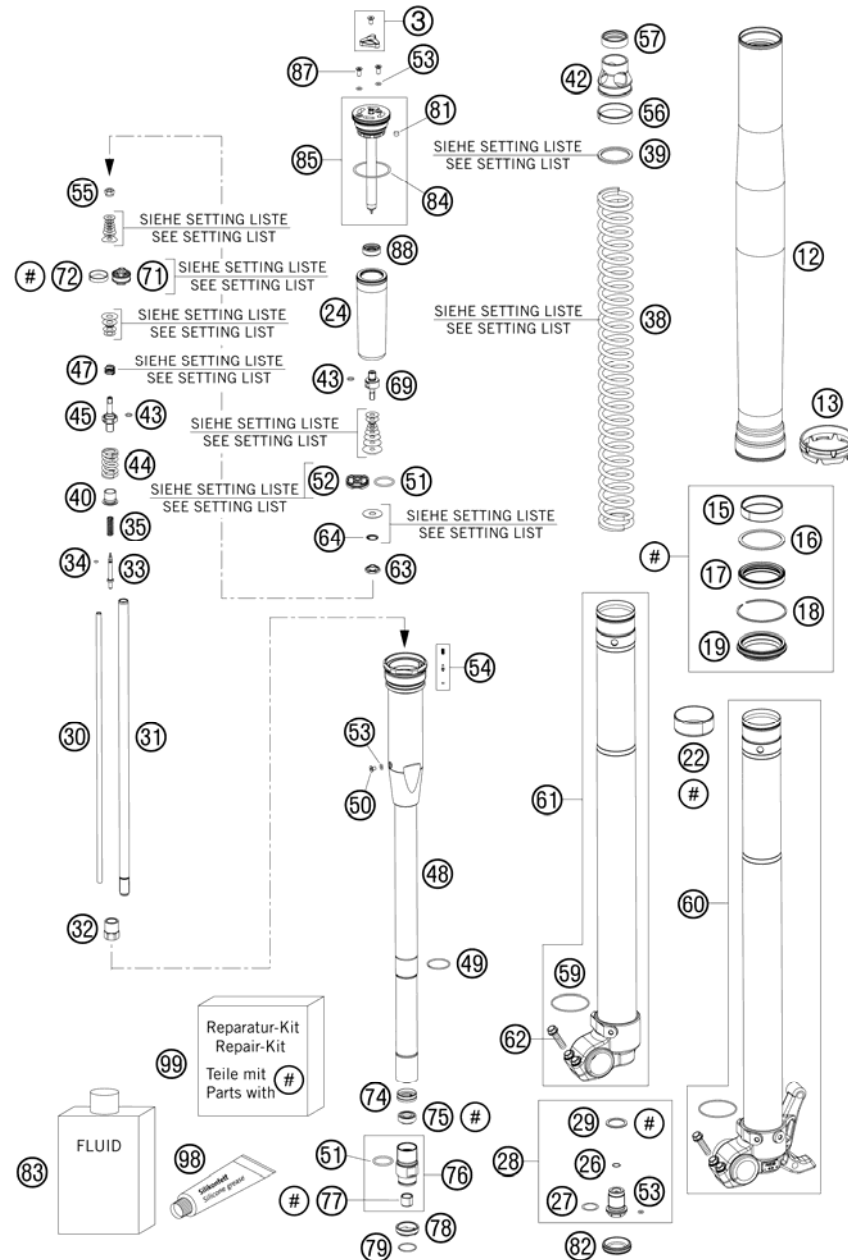


FIG	PART NUMBER	DESCRIPTION	QTY
48	48600519S3	MEMBRANE HOLDER	2
49	48600512	LOCK WASHER D=25,5	2
50	48600542	AH SCREW M4X6	2
51	46811499	O-RING NBR 21X2	4
52	48600047	PISTON COMPRESSION D=27,9	2
53	50180222	O-RING NBR 4X1,5	8
54	48600977S	PIN KIT	2
55	40540486	NUT M6X0,5 REBOUND	2
56	48600744	GUIDE RING 44 X39	2
57	48600577	RING SPRING-SUPPORT	2
59	48600113	WASHER 32X42X2,5	2
60	48600863SA	AXLE CLAMP LEFT + TUBE CPL.	1
61	48600864SA	AXLE CLAMP RIGHT + TUBE CPL.	1
62	0025080256	HH COLLAR SCREW M8X25 TX40	4
63	48600885	NUT VALVE M6X0,5 LH=1,2	2
64	48600202	SPRING CHECK VALVE D=0,7	2
69	48600509	PISTON ROD COMPRESSION	2
71	48600575	PISTON REBOUND SX 2007	2
72	48600455	PISTON RING 5X1X68	2
74	48600296	RING D=23,45X2,65	2
75	48600829	SHAFT SEAL RING 12MM	2
76	48600760S	SCREW SLEEVE M24,5X1 CPL	2
77	48600430	DU BUSH FOR PISTON ROD	2
78	48600709	CHECK VALVE STOP	2
79	48600446	LOCK WASHER D=20	2
81	15080017	SILICON CAP	2
82	48600692	RUBBER CAP D=26,4	2
83	48600765S1	FORK OIL SAE5 5L 2008	1
84	40140024	O-RING NBR 43X2	2
85	48600516S1	SCREW CAP CPL. L=125	2
87	48600526	SCREW M4X10	4
88	48600514	MEMBRANE SLEEVE	2
98	T511	SILICONE GREASE F. DUST STRI	1
99	R14018	REPAIR KIT SEALS CC 2010	1

105230131 / C105150130

* NEW PART

X AS REQUIRED

FRONT FORK, TRIPLE CLAMP

125 SX 2011

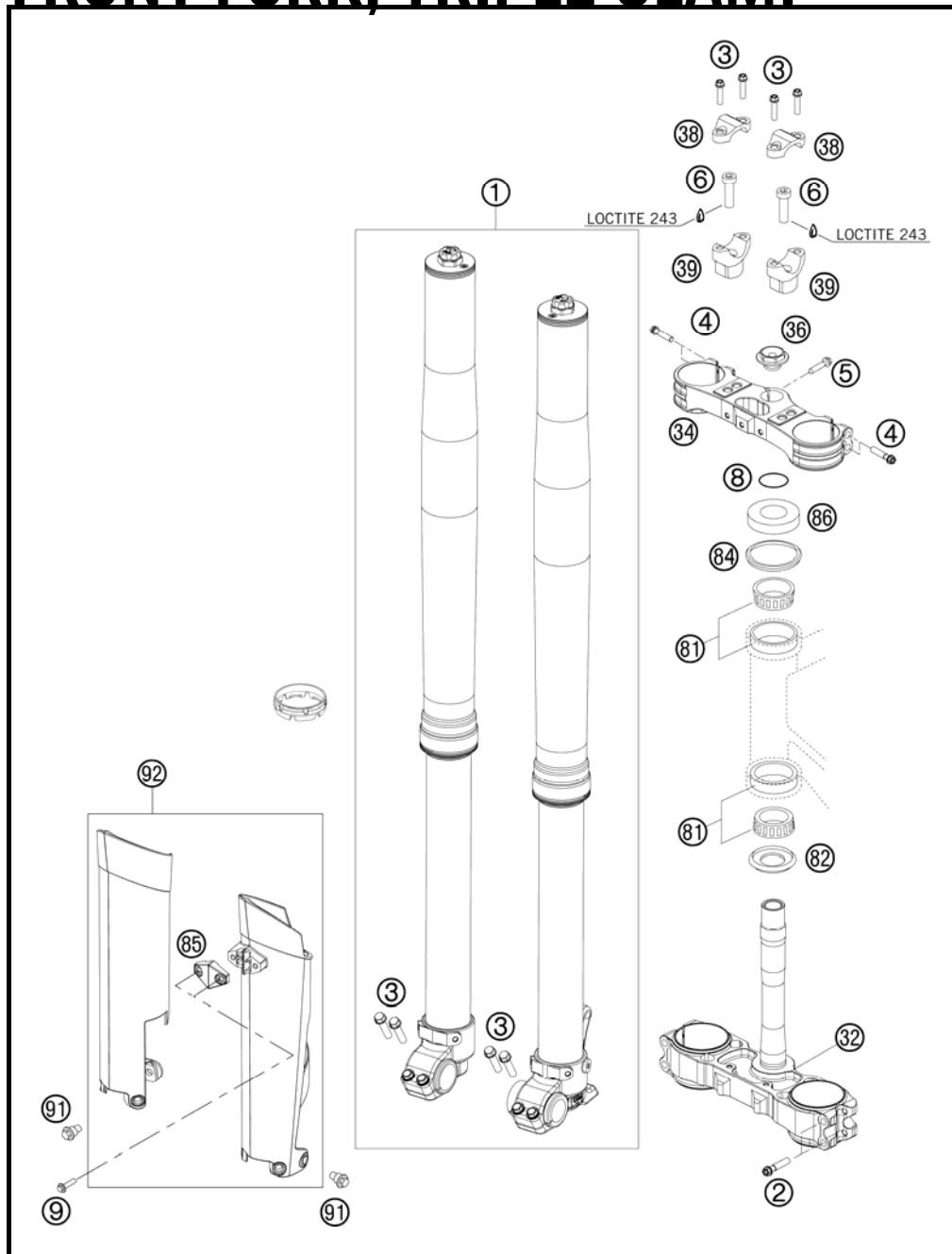


FIG	PART NUMBER	DESCRIPTION	QTY
1*	14187K0101	FORK WP 125/150 SX 2011	1
2	0025080506	HH COLLAR SCREW M8X50 TX40	4
3	0025080256	HH COLLAR SCREW M8X25 TX40	8
4	0025080406	HH COLLAR SCREW M8X40 TX40	4
5	0025080256S	HH COLLAR SCREW M8X25 TX40	1
6	0912100356	AH SCREW DIN6912-M10X35 10.9	2
8	0770025035	O-RING 25X3,55 NBR70 05	1
9	0017060204	EJOT PT SCREW K60X20 ALU WS=6	2
32	7720103202230	BOTT.FORK PLATE VMT. X=22MM BL	1
34	7720103402230	TOP TRIPLE CLAMP X=22MM BLACK	1
36	54801036000	STEER.HEAD SCREW M20X1,5 WS=27	1
38	59401038000	HANDLEBAR CLAMP 28MM 05	2
39	59401039032	HANDLEB.SUPP. D=28MM H=32MM 05	x
39	59401039037	HANDLEB.SUPP. D=28MM H=37MM 05	x
39	59401039042	HANDLEB.SUPP. D=28MM H=42MM 05	x
81	54201081100	TAPERED ROLLER BEARING CPL. 06	2
82	54601084100	O-RING SUPPORT W. SEALING LIP	1
84	54601184000	STEERING HEAD GASKET TOP	1
85*	7800108500028	CLAMP F. SPEED. CABLE D=6MM 08	1
86	54201086000	STEERING HEAD COVER	1
91	59001092050	SPECIAL SCREW M6X12,5 WS=8	6
92*	7800109410028	FORK PROTECT. L/S+R/S WHITE 09	1

107700110 / C115150111

* NEW PART

X AS REQUIRED

HANDLEBAR, CONTROLS

125 SX 2011

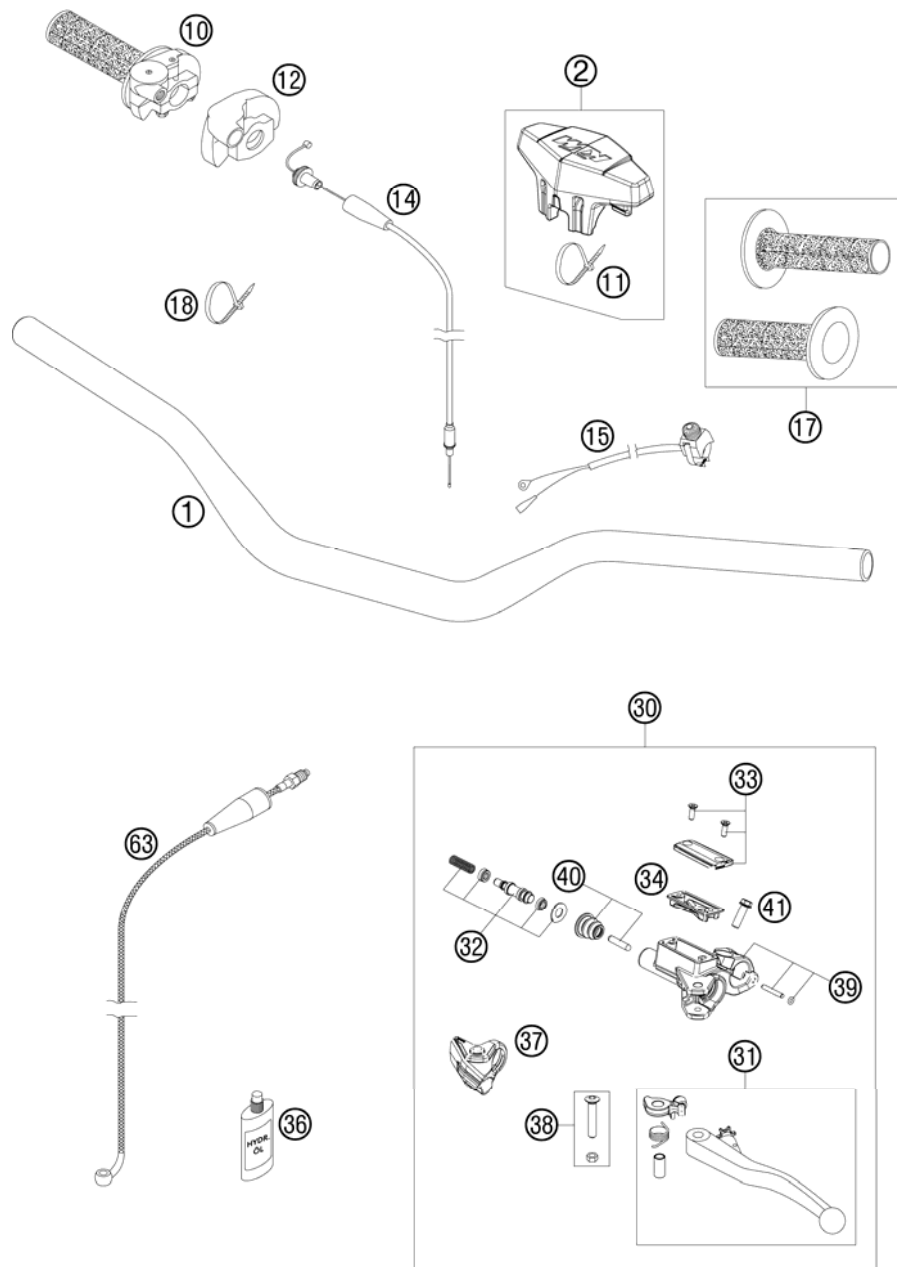


FIG	PART NUMBER	DESCRIPTION	QTY
1	7730200110017	HANDLEBAR RENTHAL SX 28MM	08
2	77202002100	BAR PAD CPL.	1
10	54802010100	THROTTLE GRIP CPL.	09
11	44011076305	CABLE TIE 300/4,8MM BLACK	2
12	50302020000	PROTECTION COVER '97	1
14	50302091000	THROTTLE C. 125-380 DOM./KEIH.	1
15	50311089200	SHORT CIRCUIT BUTTON	02
17	54802021200	GRIP-SET GRAY/ORANGE	09
18	44011076200	CABLE TIE 200/3,6MM BLACK	1
30	50302030300	MASTER CYLINDER CPL. 9,5MM	09
31	50302031300	CLUTCH LEVER CPL.	2009
32	50302032100	REP.KIT PISTON 9,5MM	09
33	50302033200	COVER HYDR. CLUTCH CPL.	09
34	50302034100	RUBBER FOR RESERVOIR	09
36	50302036200	OIL FOR HYD. CLUTCH 75ML	1
37	50302037100	MUD CAP	09
38	50302038200	LEVER SCREW SHORT CPL.	09
39	83013005000	CLAMP, CYL. PIN, O-RING	1
40	50302046000	PUSH ROD CPL.	09
41	0025060166	HH COLLAR SCREW M6X16	TX30
63	50332063200	CLUTCH PIPE L=970MM	04

115150210 / C115150210

* NEW PART

X AS REQUIRED

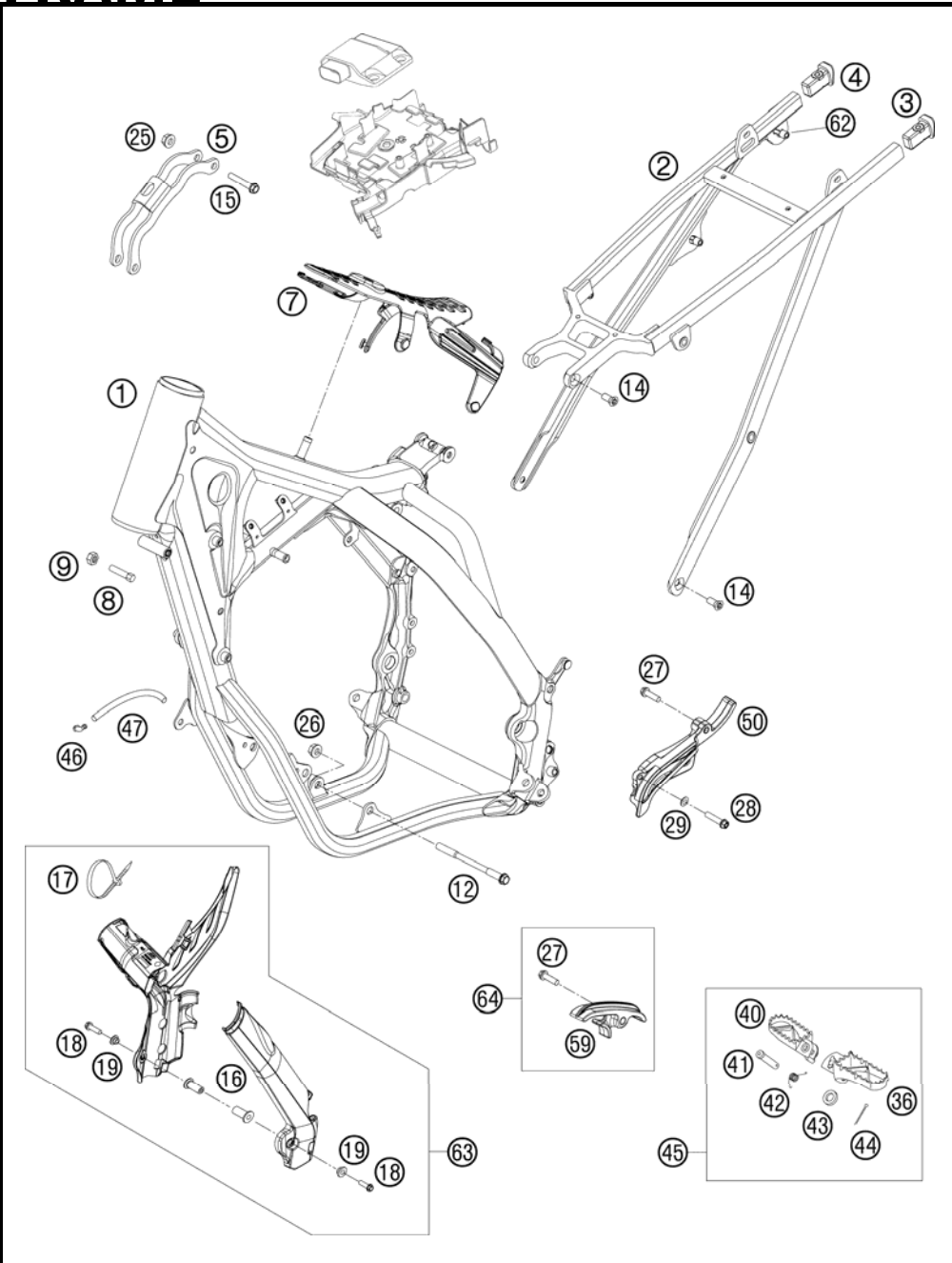


FIG	PART NUMBER	DESCRIPTION	QTY
1*	5150300100033	FRAME BLACK MATT "BA11"	1
2*	77203002000	SUB FRAME SX	1
3	78003002010	SUB FRAME APPLICATION LEFT 08	1
4	78003002020	SUB FRAME APPLICATION RIGHT 08	1
5*	51503013000	REINFORCING B. 125 SX 2011	1
7*	77207012000	TANK REST RUBBER	1
8	59001037000	SPECIAL SCREW M8X26 WS=10	2
9	0934080003	HEXAGON NUT DIN0934-M 8	2
12	54603013000	ENGINE BRAC.SCR. M10X105 WS=13	2
14	0019080206S	FLAT HEAD SCREW M. ISA45 M8X20	4
15	56530079000	COLLAR SCREW M8X42 WS=13 10.9	2
16	54803092050	BLIND PLUG-IN NUT M5 WN 22A 03	2
17	44011076140	CABLE TIE 140/2,5MM BLACK	1
17	44011076305	CABLE TIE 300/4,8MM BLACK	3
18	0738050250	COU.SUNK SCR. AH ISO7380 M5X25	2
19	54803092060	BUSH F. FRAME PROTECTION 03	2
25	54310086200	SELF LOCKING NUT M8 10.9	2
26	54310086100	SELF LOCKING NUT M10 CU WS=14	2
27	0025080306	HH COLLAR SCREW M8X30 TX40	2
28	0025060406	HH COLLAR SCREW M6X40 TX30	1
29	0125060003	WASHER DIN0125-A 6,4	1
36	59003040250	FOOT PEG L/S SILVER 02	1
40	59003041250	FOOT PEG R/S SILVER 02	1
41	54803044000	BOLT FOR FOOT PED 03	2
42	54603041000	FOOTREST SPRING L/S & R/S	2
43	0125100003	WASHER DIN0125-A10,5	2
44	0094032253	PIN DIN0094-3,2X25 STEEL	2
45	5030314013390	FOOTPEG L.+R. CPL. 03	1
46	50303089000	ANGLE PIECE '97	2
47	55007016001	PVC-HOSE 7X10 PER METER	x
50	54803096000	SPROCKET COVER 250 SX 07	1
59*	77203053000	CHAIN SLIDING PIECE BELOW	1
62	77303139000	BLIND RIVET NUT EM6-60LF/HX	4
63*	77203094000	PLASTIC FRAME PROTECTION SET	1
64*	77203053010	CHAIN SLIDING P. BELOW CPL.	1

115150310 / C115150311

* NEW PART

X AS REQUIRED

SHOCK ABSORBER DISASSEMBLED

125 SX 2011

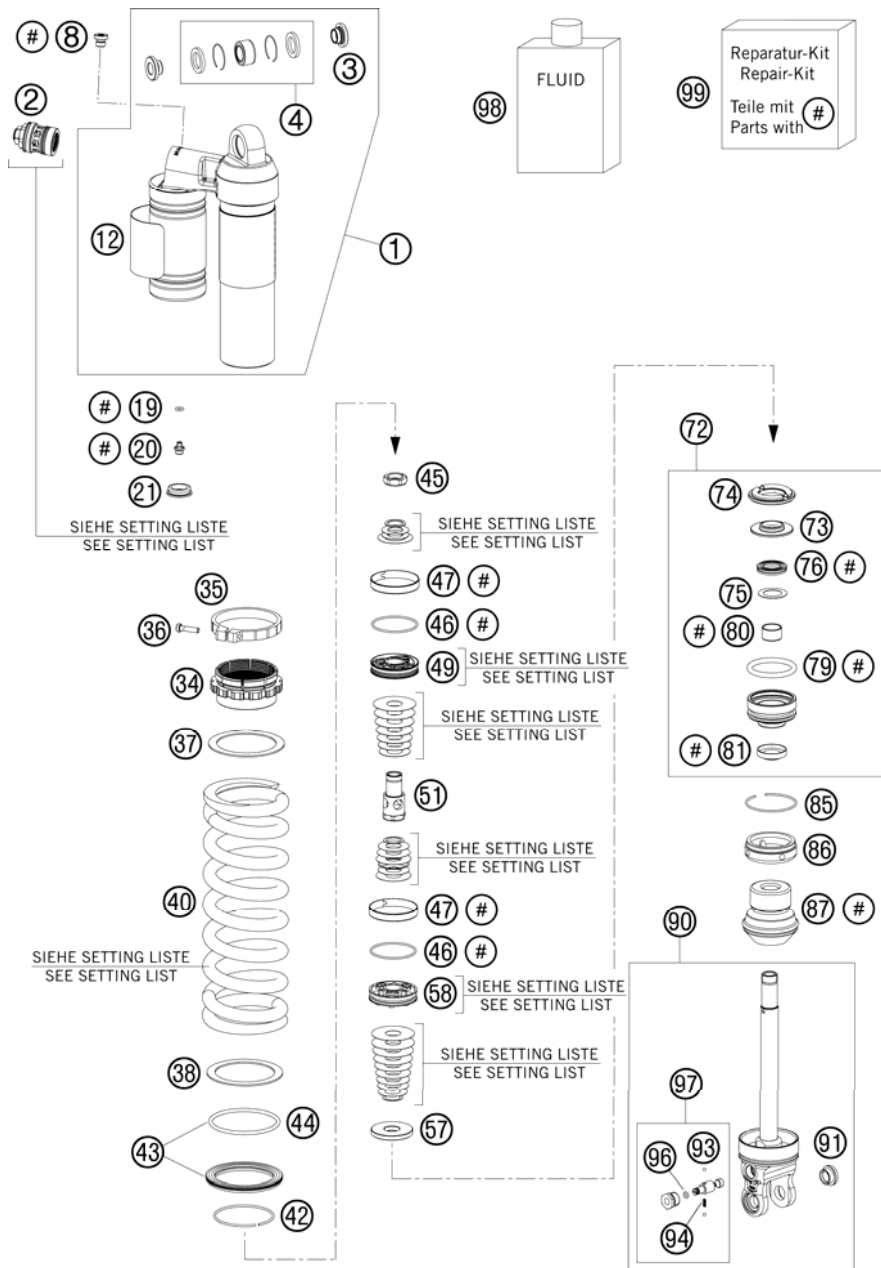


FIG	PART NUMBER	DESCRIPTION	QTY
1*	50180833S1	MONOSHOCK UPPER PART CPL.	1
2*	50180213S11	DCC-COMPR.DAMP.CONTROL CPL. 09	1
3	46180007	ADAPTOR BUSH KGW 12X24	2
4	R12012	REP. KIT BEAR./SEAL UP. 07	1
8	50180095	BLEED PLUG R 1/8	1
12	52000085	WP CAUTION (PDS KTM)	1
19	46810893	O-RING NBR 5,28X1,78	1
20	36120151	SCREW PLUG M5X6	1
21	46811208	RUBBER CAP "DO NOT OPEN"	1
34*	50180938	ADJUSTING NUT PLASTIC	1
35*	50180937	TENSIONING RING D64 H10	1
36*	14460042	ALLENHEAD SCREW M5 L=20 STAINL	1
37*	50180965	SPACER RING SPRING 61,3X78X3	1
38	50180114	SPACER RING FOR SPRING	1
40	91210053S	SPRING 250 63N/MM ORANGE	x
40	91210054S	SPRING 250 66N/MM ORANGE	x
40	91210055S	SPRING 250 60N/MM ORANGE	x
40	91210068S	SPRING 250 69N/MM ORANGE	x
40	91210069S	SPRING 250 72N/MM ORANGE	x
40	91210070S	SPRING 250 76N/MM	x
42	50180273	CIRCLIP 58,2X2	1
43	50180463S	SPRING RET. D=80 W. O-RING 05	1
44	50180352	O-RING VITON 66,27X3,53	1
45	50180627	PISTON ROD NUT M20X1	1
46	50180099	O-RING VITON 44,17X1,78	2
47	50180135	PISTON RING 50-8	2
49	50180675	PISTON D=20	1
51*	50180940	SUPPORT D20 M20X1 L51,3 PDS	1
57	50180631	REBOUND DISC D43 H0 T4	1
58	50180197	PISTON 6+6X7/4,5	1
72	50180603S	ADAPTOR CPL. D=50 H=28 08	1
73	50180113	STEEL DISC 18X,5X43,7X6	1
74	50180107	REBOUND RUBBER	1
75	50180604	SHIM D29,75 X D19 X T0,4 08	1
76	50180605S	SEAL D18X30X5 08	1

115030430 / C115030430

* NEW PART

X AS REQUIRED

SHOCK ABSORBER DISASSEMBLED

125 SX 2011

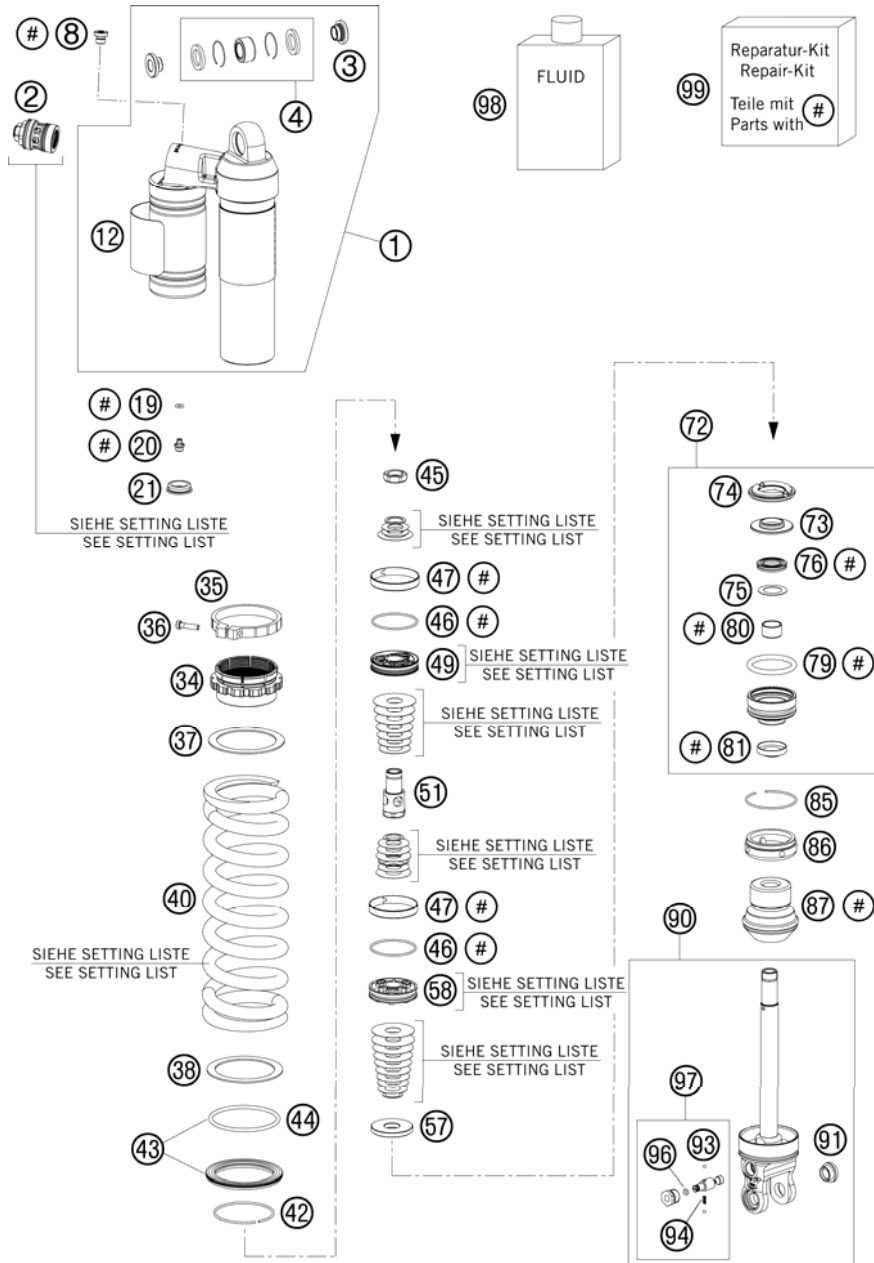


FIG	PART NUMBER	DESCRIPTION	QTY
79	50180103	O-RING 41X5	1
80	46180119	DU-BUSH 18X20X12	1
81	50180606	DUST SEAL 1828 08	1
85	50180126	CIRCLIP 53X1,75	1
86	50180626	RESERVOIR CAP D=50 H=10 09	1
87	50180480	BUMP RUBBER D58 D17 H59 SXS 05	1
90	50180512SA2	SHOCK ABS. LOWER PART CPL. 10	1
91	50180105	THREADED BUSH M12 PDS	1
93	40540603	STEEL BALL D=3MM	2
94	48600028	SPRING D=2,9 L=7,9	1
96	50180222	O-RING NBR 4X1,5	1
97	50180434S	ADJUSTING SCREW REBOUND TRAVEL	1
98	50180342S1	SHOCK ABSORBER FLUID 5 LT '03	1
99	R12014	REPAIR KIT 5018 PDS 06	1

115030430 / C115030430

* NEW PART

X AS REQUIRED

SHOCK ABSORBER

125 SX 2011

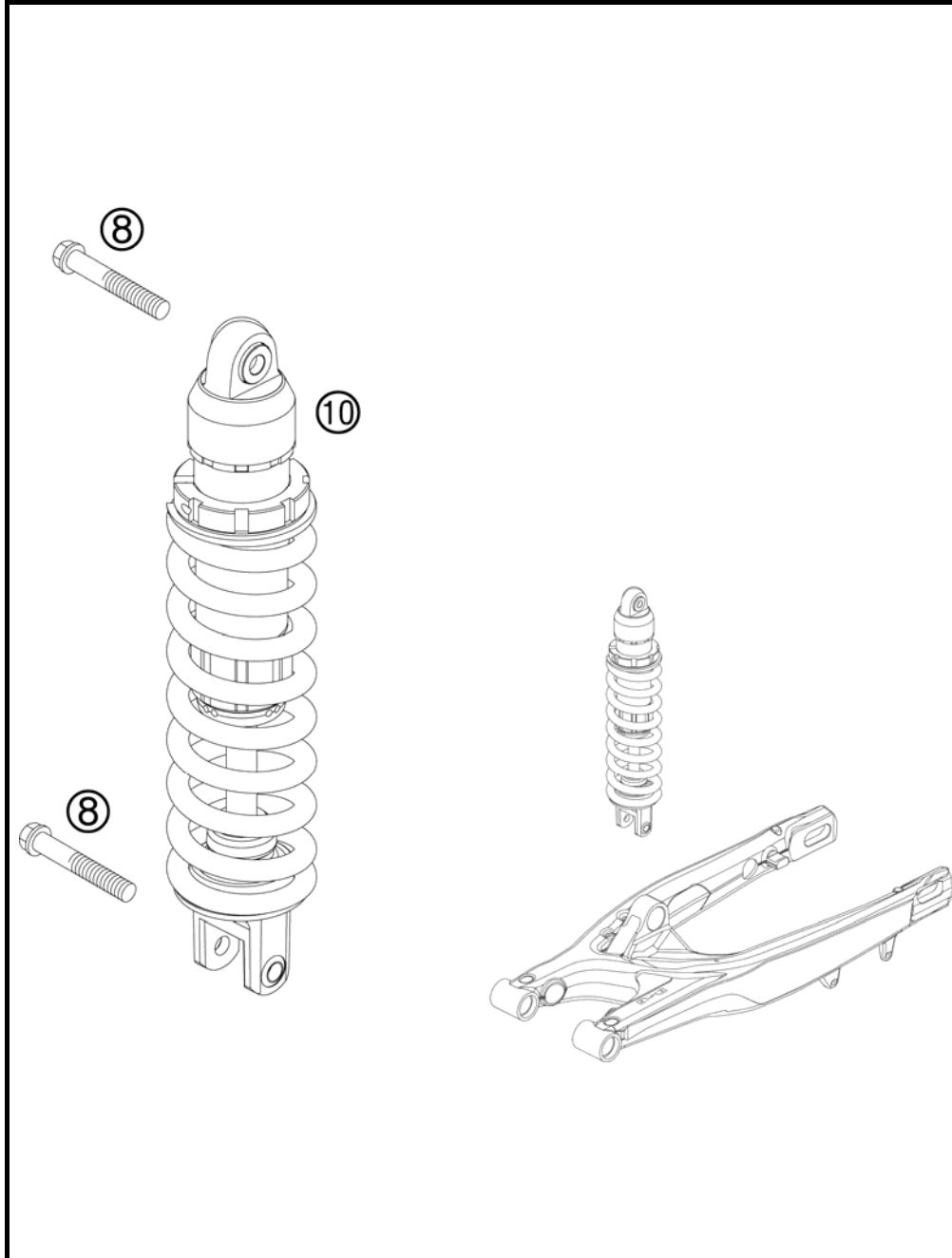


FIG	PART NUMBER	DESCRIPTION	QTY
8	0025120506S	HH COLLAR SCREW M12X50 TX45	2
10*	12187K0101	MONOSH.PDS B07 DA125/150 SX 11	1

085030410 / C115150411

* NEW PART

X AS REQUIRED

SWING ARM

125 SX 2011

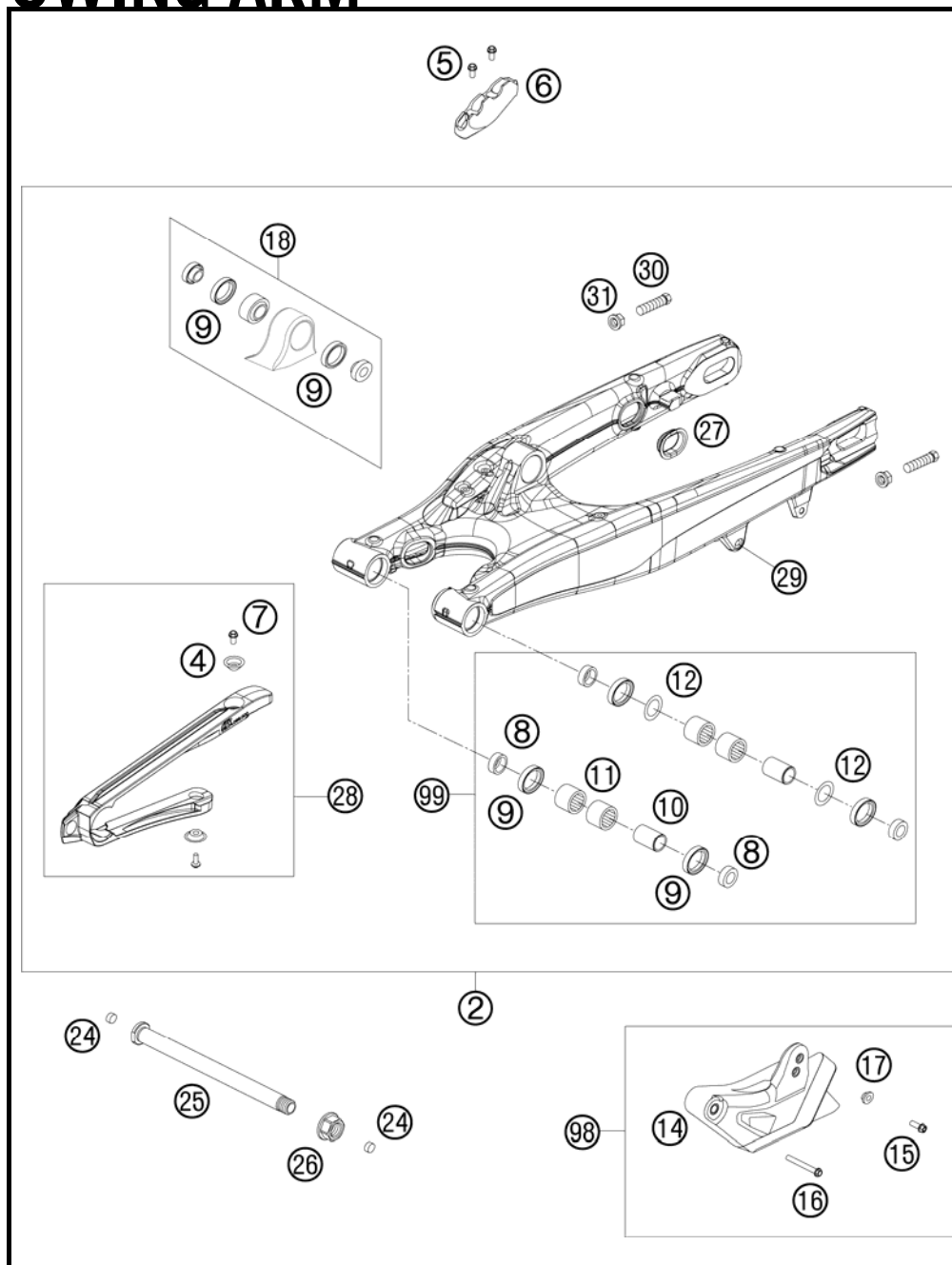


FIG	PART NUMBER	DESCRIPTION	QTY
2*	51504030044	SWING ARM CPL. SX PDS 2011	1
4	77304066050	BUSHING F. CHAIN SLIDING PR.07	2
5*	0009050106	EJOT SPIRAL SCREW SF M5X10-K	2
6	77313047000	BRAKE HOSE GUIDE LOWER 07	1
7	59009062013	SPECIAL SCREW M6X13 WS=8 10.9	2
8	54804034000	BUCKET F. SHAFT SEAL RING 03	4
9	0760253270	SHAFT SEAL RING 25X32X7	6
10	54804032000	BUSHING SLEEVE F. SWING ARM 03	2
11	58033097000	NEEDLE BEARING HK 2216	4
12	54603036000	STOP DISK 22,2X31,7X1	2
14*	77304070100	CHAIN GUIDE REAR CPL. 07	1
15	59009062019	SPECIAL SCREW M6X19 WS=8 10.9	1
16	0025060456	HH COLLAR SCREW M6X45 TX30	1
17*	77304070130	BUSH. F. CHAIN FAIL. PROT. 07	1
18*	50304090144	PIVOT BEARING+BUSH. PDS '11	1
24	55009086000	PLUG SFL13	2
25	77304037000	SWINGARM BOLT M16X1,5 07	1
26	54804038000	SELF LOCK.NUT M16X1,5 WS=19 03	1
27*	77204041000	CLOSING COVER	4
28*	51504066044	CHAIN SLIDING GUARD KIT 2011	1
29	54603055051	PRESS IN NUT M6 STEEL ZINC	1
30	50304040100	SCREW M10X1,25X50 WS=10	2
31	58414030000	HH COLLAR NUT M10X1,25 WS=13	2
98*	77304070210	CHAIN GUIDE KIT REAR 07-10	1
99	54804230210	SWINGARM REPAIR KIT 05-10	x

115150490 / C115150490

* NEW PART

X AS REQUIRED

EXHAUST SYSTEM

125 SX 2011

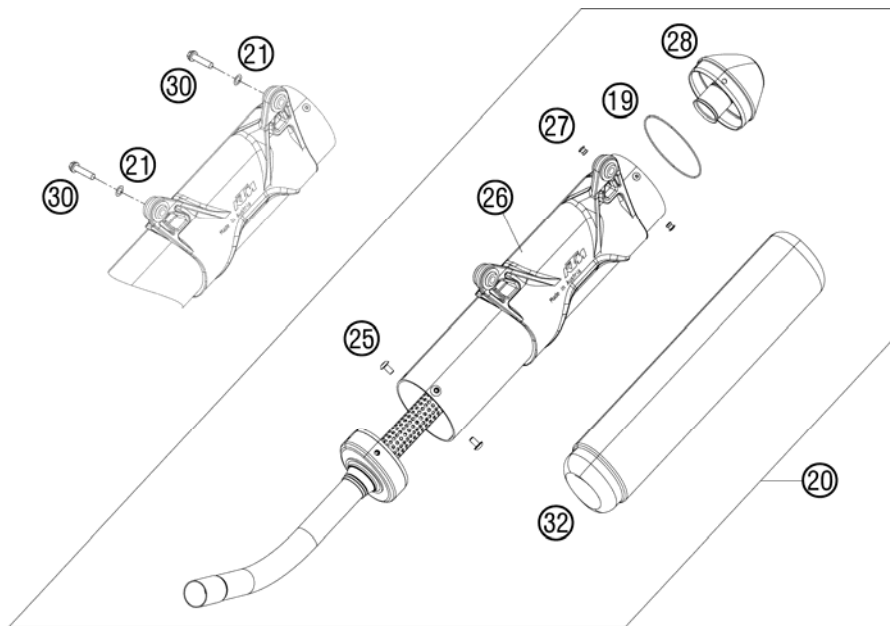
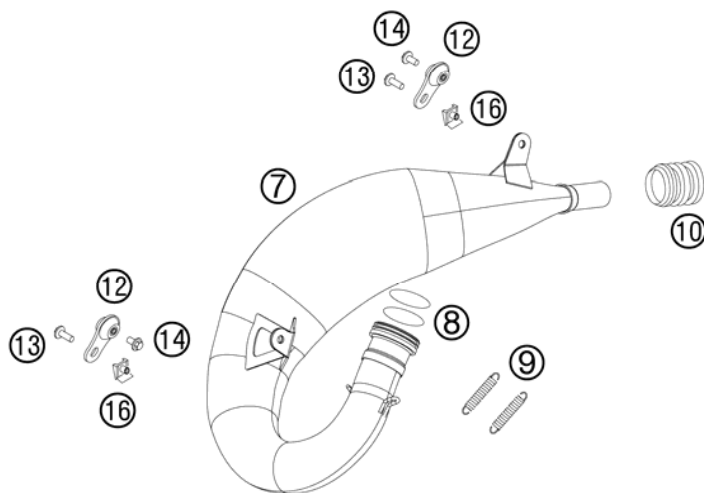


FIG	PART NUMBER	DESCRIPTION	QTY
7	50305007300	EXHAUST PIPE CPL. SX 2006	1
8	0770440030	O-RING 44,00X3,00 VITON	2
9	50305016000	TEN.SPRING L=62MM EY.MOVEABLE	2
10	54605057000	RUBBER SLEEVE D=21MM/23MM '93	1
12	50305012000	SWINGELEMENT FOR EXHAUST PIPE	2
13	0024060156	HH COLLAR SCREW M6X15 TX30	2
14	0024060106	HH COLLAR SCREW M6X10 TX30	2
16	54603048100	RANGE CHANGE METAL NUT M6	2
19*	0770740015	O-RING 74,00X1,50 FKM 75SH	1
20*	50305079500	SILENCER 125-150 SX	1
21	0137060003	SPRING WASHER DIN0137-B 6	1
25*	58605083010	SCREW TORX M5X10 05	1
26*	50305179085	SILENCER CASING CPL.W.MOUNTING	1
27*	0011480800	DUMMY RIVET 4,8X 8 NIRO	4
28*	50305083260	END CAP CPL.	1
30*	0025060306	HH COLLAR SCREW M6X30 TX30	2
32*	50305078235	ROCK WOOL 235G	1



115150510 / C115150512

* NEW PART

X AS REQUIRED

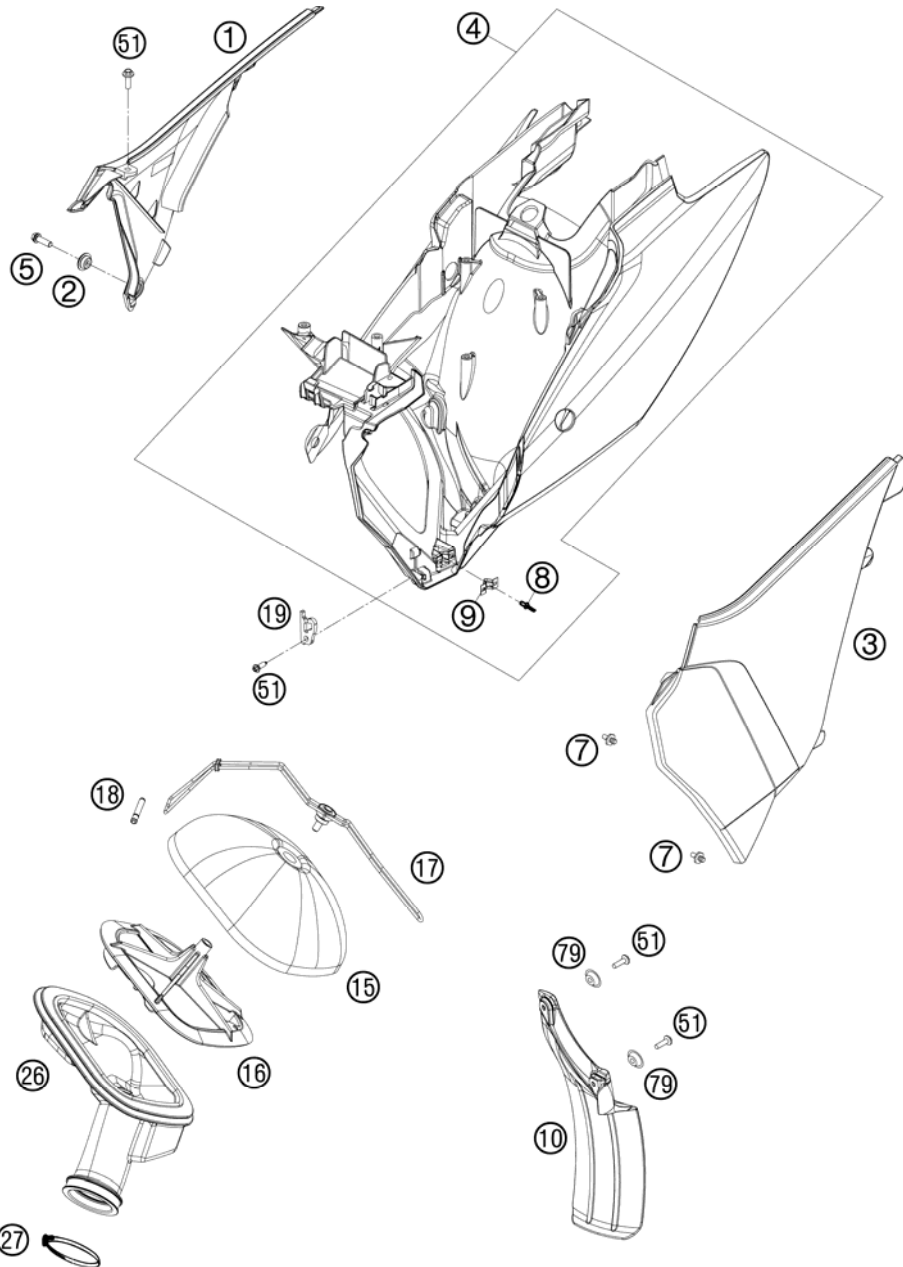


FIG	PART NUMBER	DESCRIPTION	QTY
1*	7720600410004A	AIR BOX COVER OR. RIGHT PDS	1
2*	77308013010	COLLAR BUSH. F.REAR FENDER 07	2
3*	7720600300004A	AIR BOX COVER OR. LEFT SX 11	1
4*	7720600104430	FILTER BOX CPL. BLACK 11	1
5*	0025060206	HH COLLAR SCREW M6X20 TX30	2
7	54806008051	QUICK RELEASE-NIPPLE 03	2
8	54806108052	BLIND RIVET 3,3X9,7 GROOVED 04	4
9	54806008050	QUICK RELEASE-SPRING HANGER	2
10	77306010000	FENDER FOR FILTER BOX	1
15*	77206015000	AIR FILTER	1
16*	54806516000	FILTER CARRIER	1
17*	77206017000	FILTER SUPPORT CPL. 11	1
18	77306018000	FILTER SUPPORT BUSH 07	1
19*	77206019000	FASTEN. DEVICE FILTER S. SX 11	1
26*	51506026000	CABURETOR CONNECTING	1
27	78006027000	HOSE CLAMP 45-65MM	1
51	0017060204	EJOT PT SCREW K60X20 ALU WS=6	4
79	77304066050	BUSHING F. CHAIN SLIDING PR.07	2

115150610 / C115150610

* NEW PART

X AS REQUIRED

TANK, SEAT, COVER

125 SX 2011

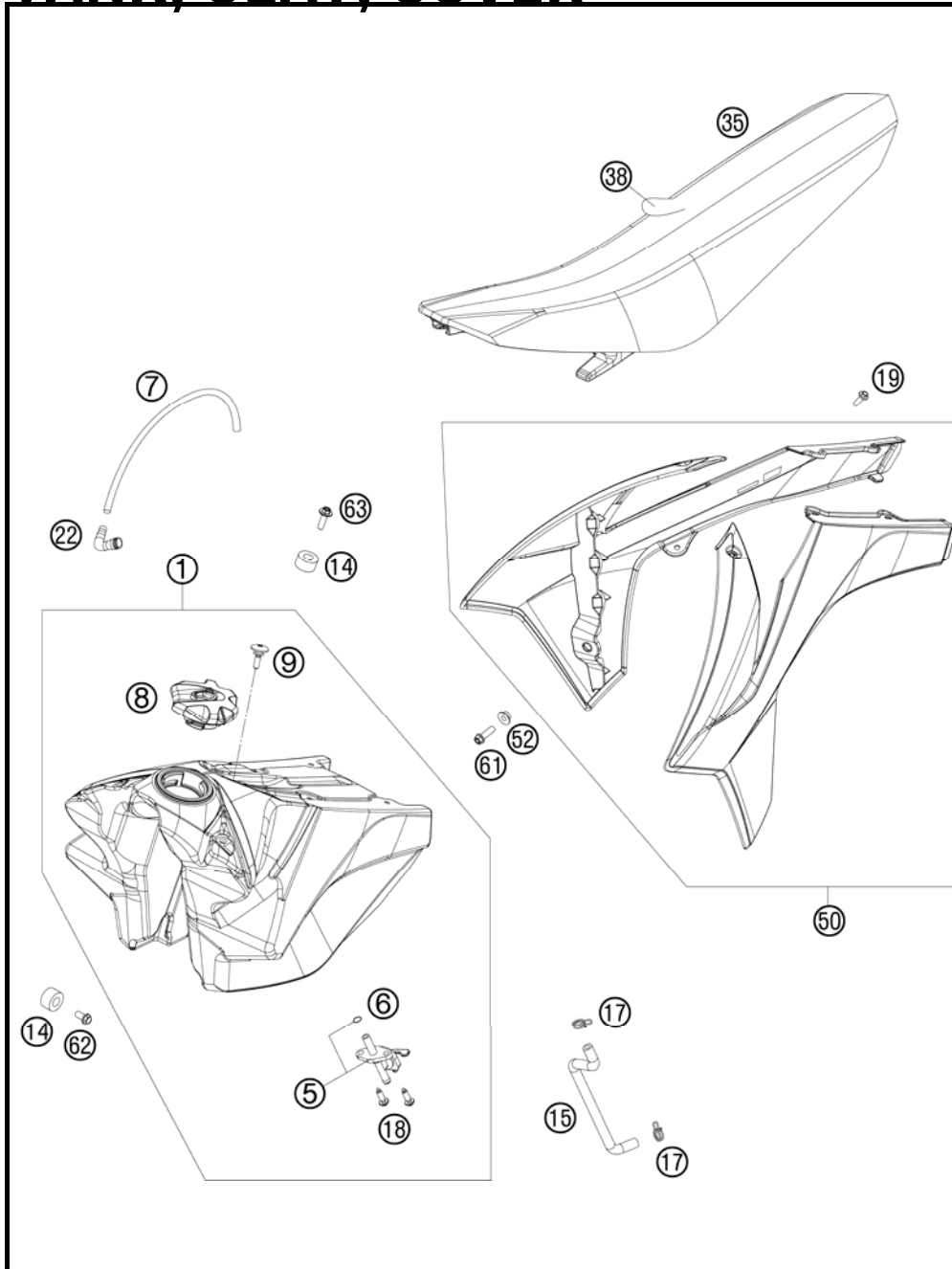


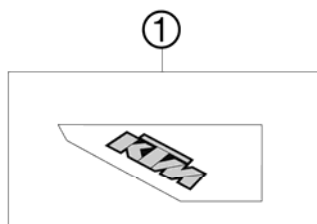
FIG	PART NUMBER	DESCRIPTION	QTY
1*	7730751303330	FUEL TANK CPL. 7,5L SX CAB 11	1
5	50307005000	GAS COCK MIKUNI ON/OFF 2001	1
6	0770130023	O-RING 13,00X2,30	1
7	78007000270	PVC-HOSE 5,6X10X270MM	1
8	78007008044X4	TANK PLUG ORANGE/BLACK	1
9*	50307011000	SCREW SEAT FASTENING D=6X23/18	1
14	50307014000	TANK ROLLER 12X26X12 '98	3
15*	54807516000	FUEL HOSE 6X2,5	1
17	58031005000	CLAMP YDNAC 10128 12MM	2
18	0017060203	EJOT PT SCREW K60X20 WS=6	2
19	0017060204	EJOT PT SCREW K60X20 ALU WS=6	8
22	51030022000	ANGLE PIECE 90 DEGREE M10X1	1
35*	77207040000	SEAT CPL.	1
38*	77207040050	SEAT COVER	1
50*	7720805400004A	SPOILER KIT ORANGE SX/XC 2011 WITH DECAL	1
52	50308052000	BUSH FOR SPOILER 6X11X16X5 MM	2
61	0025060206	HH COLLAR SCREW M6X20 TX30	2
62	0025060126	HH COLLAR SCREW M6X12 TX30	2
63*	0024060206	HH COLLAR SCREW M6X20 TX30	1

115150710 / C115150711

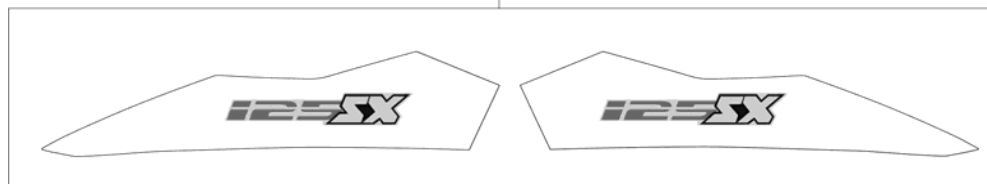
* NEW PART

X AS REQUIRED

FIG	PART NUMBER	DESCRIPTION	QTY
1*	77208098100	DECAL NUMBER PLATE SX 11	1
2*	50308598000	DECAL REAR PART 152 SX 2011	1



②



115030832 / C115030832

* NEW PART

X AS REQUIRED

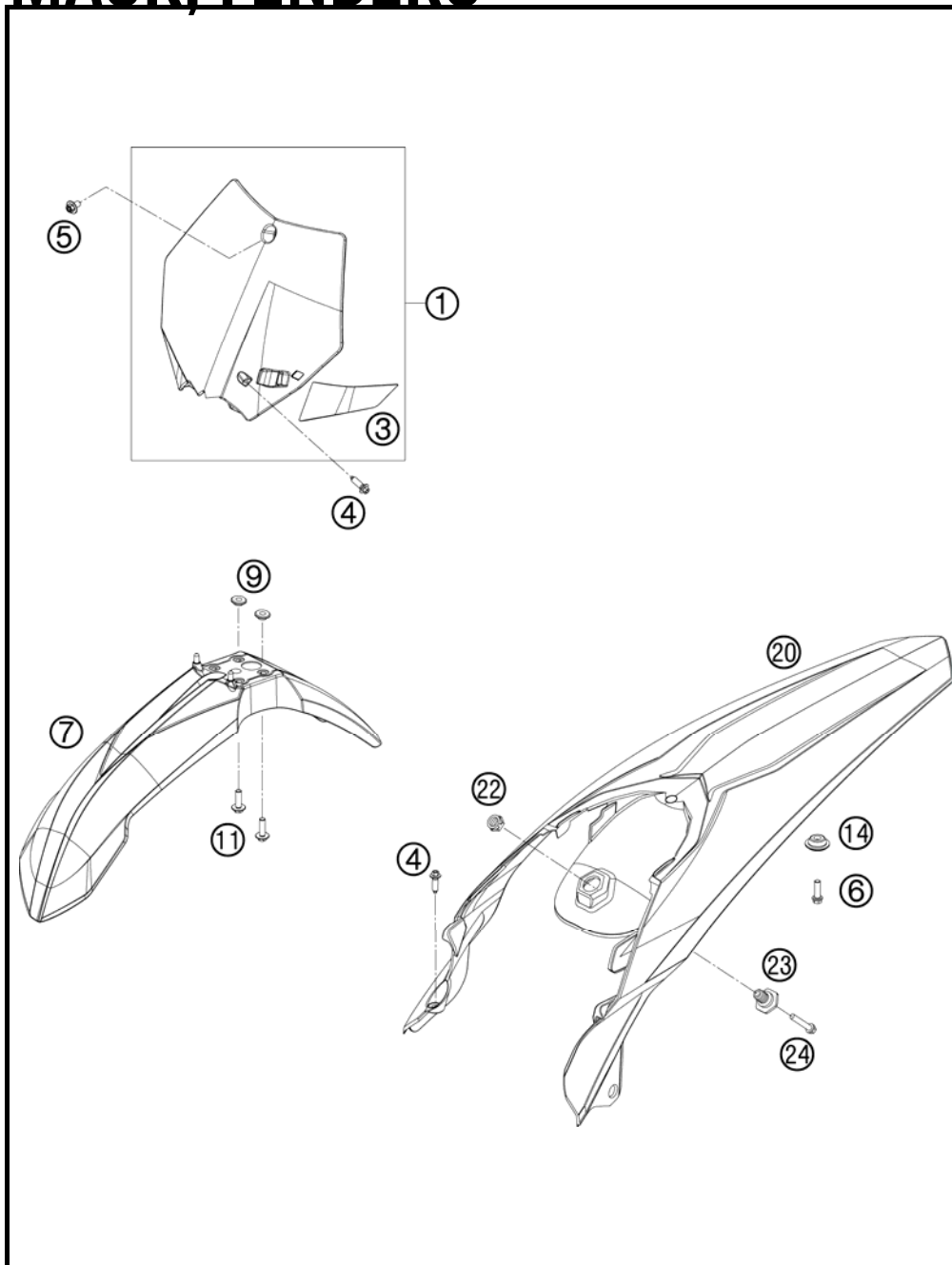


FIG	PART NUMBER	DESCRIPTION	QTY
1*	7730800704428	START NUMBER PLATE CPL. WHITE	1
3*	7730802200030	BRAKE HOSE GUIDE BLACK 08	1
4	0017060204	EJOT PT SCREW K60X20 ALU WS=6	2
5	0024060106	HH COLLAR SCREW M6X10 TX30	1
6	0025050166	HH COLLAR SCREW M5X16 TX30	2
7	7730801000004	FRONT FENDER 07	1
9	54808020000	SPACER BUSHING 03	4
11	0024060206	HH COLLAR SCREW M6X20 TX30	4
14	77308013010	COLLAR BUSH. F.REAR FENDER 07	2
20*	7720801300028	REAR FENDER SX WHITE 11	1
22	50314057050	COLLAR NUT M12X1/WS17 H=5MM	1
23	54807048000	BUSHING FOR SEAT FASTENING 03	1
24	0025060256	HH COLLAR SCREW M6X25 TX30	1

115150810 / C115150810

* NEW PART

X AS REQUIRED

FRONT WHEEL

125 SX 2011

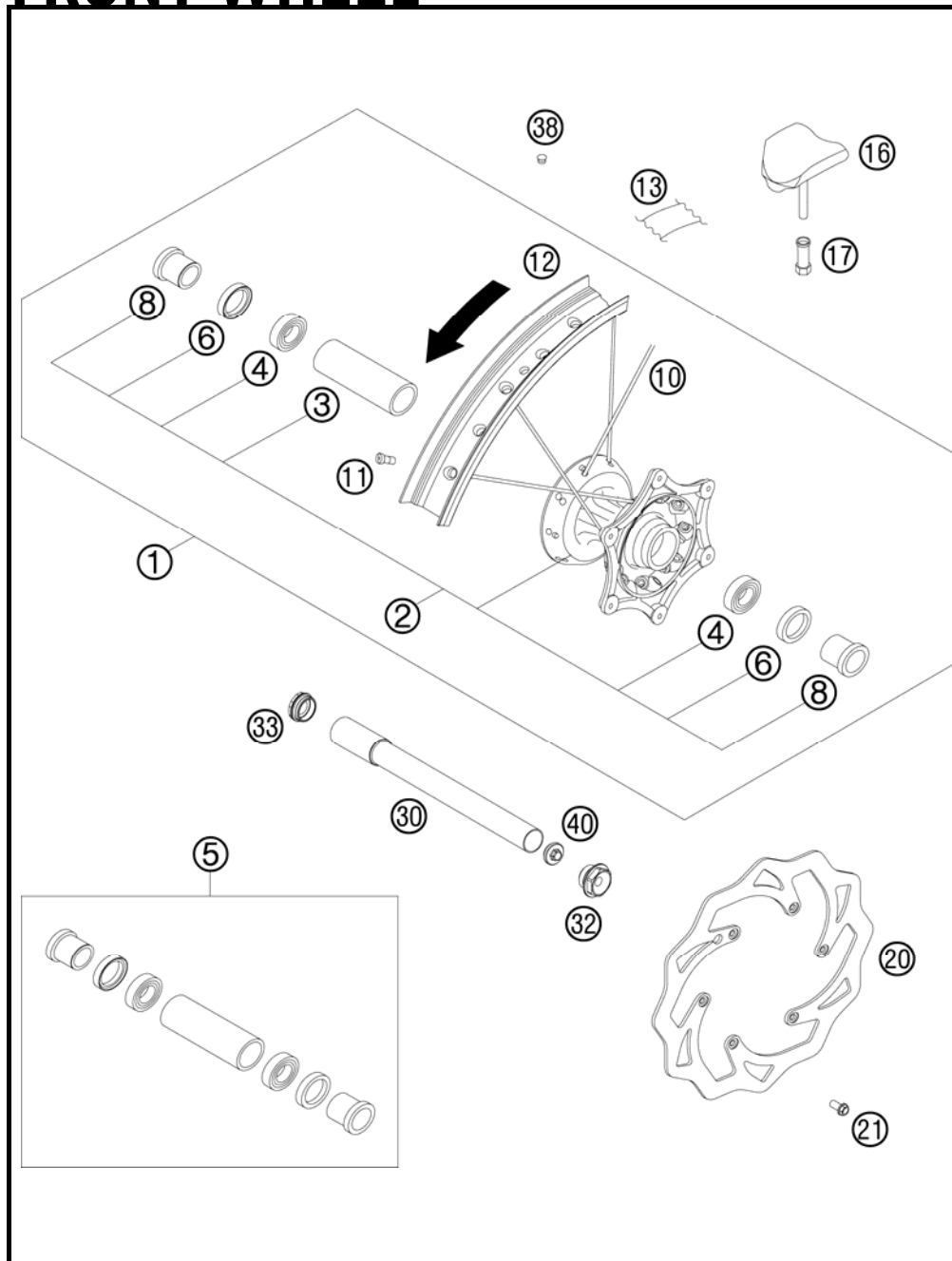


FIG	PART NUMBER	DESCRIPTION	QTY
1*	77109001044	FRONTWHEEL CPL.1,6X21EXCEL 11	1
2	78009010144	FRONT WHEEL HUB CPL.	1
3	54809011000	BEA.SPACERTUBE 35X2 L=79,4 03	1
4	0625069068	GR.BALL BEAR.6906 DDU2CG23S6NM	2
5*	78009015000	FRONT WHEEL REP. KIT	1
6	0760354771	SHAFT SEAL RING 35X47X7 TC	2
8*	78009012000	SPACER BUSHING F. FR. WHEEL 08	2
10*	77109071226	SPOKE M4,5x226-21" 11	36
11*	77109072000	SPOKE NIPPLE M4,5 AL 11	36
12*	77109070000	RIM 1,6"X21" EXCEL 11	1
13	50309073000	RIM BAND 21"	1
16	51009100100	RIM LOCK VM1 (1,60")	1
17	50310090050	NUT FOR WHEEL HOLDER '96	1
20	77309060000	BRAKE DISC FRONT 260	1
21	59009062013	SPECIAL SCREW M6X13 WS=8 10.9	6
30	77309081000	WHEEL SPIN.FR. D=26 M24x1,5 07	1
32	54809082000	SPINDLE SCREW M24X1,5 WS=27 03	1
33	54809081050	PLUG BUSHING WS=27 03	1
38	55003135000	PLUG FOR RIM	x
40	54809081070	AUXILIARY SCREW FRONT 06	1

117710910 / C117710910

* NEW PART

X AS REQUIRED

REAR WHEEL

125 SX 2011

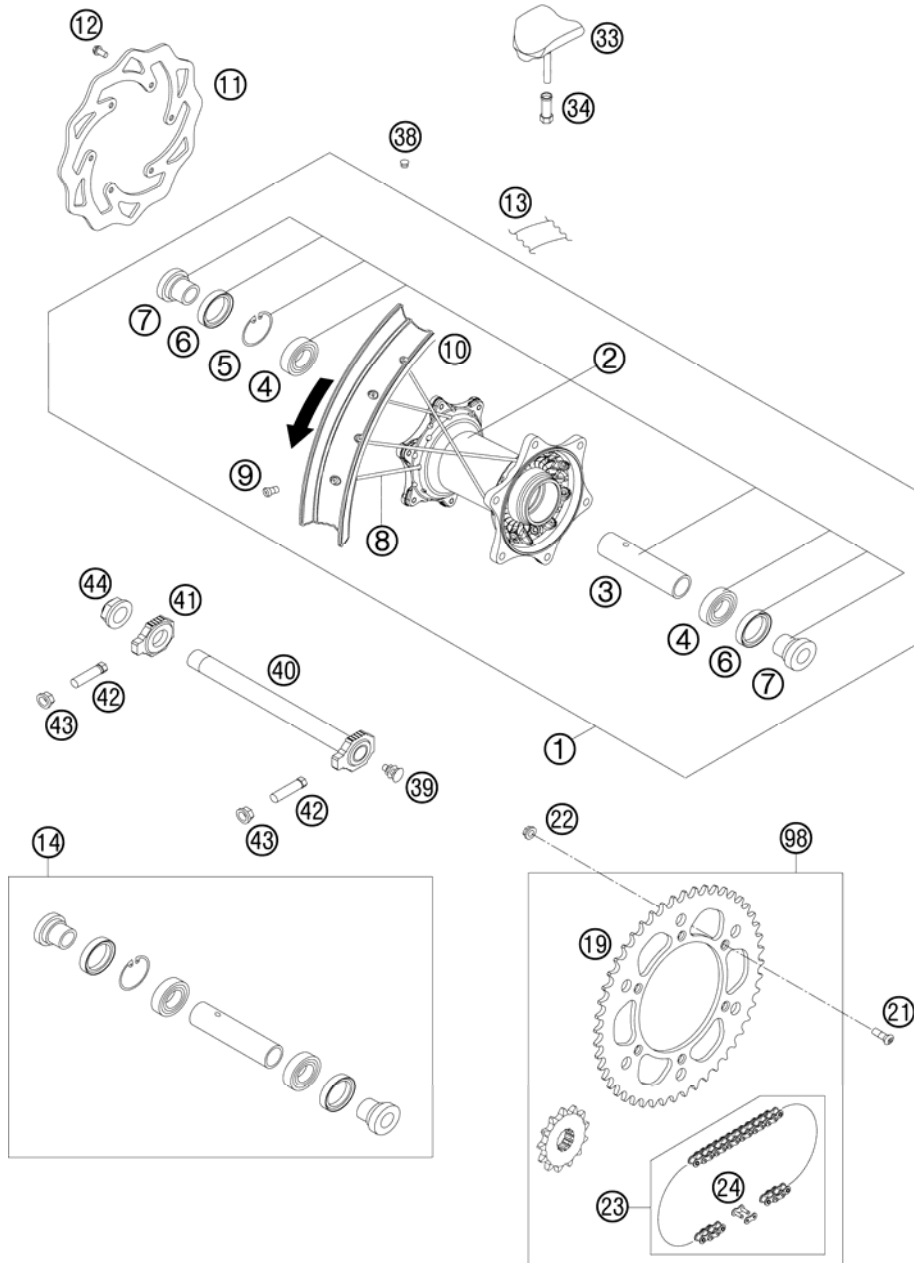


FIG	PART NUMBER	DESCRIPTION	QTY
1*	77110001044	REARWHEEL CPL.2,15X19 EXCEL 11	1
2	78010010144	REAR WHEEL HUB CPL.	1
3	59010011000	BUSHING SPACER TUBE 121,5MM 01	1
4	0625060058	GR.BALL BEAR.6005 DDU2CG23S6NM	2
5	0472047175	CIRCLIP DIN0472-47X1,75	1
6	0760324771	SHAFT SEAL RING 32X47X7 BSL	2
7*	78010016000	BUSHING FOR HUB 08	2
8*	77110071206	SPOKE M4,5x206-19" 11	36
9*	77109072000	SPOKE NIPPLE M4,5 AL 11	36
10*	77110070000	RIM 2,15"X19" EXCEL 11	1
11	77310060000	BRAKE DISC REAR 220	1
12	59009062013	SPECIAL SCREW M6X13 WS=8 10.9	6
13	50310073200	RIM BAND 18" AND 19"	1
14*	78010015000	REAR WHEEL REP. KIT	1
19	58310051038	REAR SPROCKET 38-T	x
19	58310051042	REAR SPROCKET 42-T	x
19	58310151040	REAR SPROCKET 40-T	x
19	58310151045	REAR SPROCKET 45-T	x
19	58310151048	REAR SPROCKET 48-T	x
19	58310151049	REAR SPROCKET 49-T	x
19	58310151050	REAR SPROCKET 50-T	x
19	58310151051	REAR SPROCKET 51-T	x
19	58310151052	REAR SPROCKET 52-T	x
21	0019080266S	COUNTER-SUNK SCREW ISA45 M8X26	6
22	06923080003	HEXAGON NUT DIN EN1661 M8 SW13	6
23	50310165118	CHAIN 5/8X1/4" MX	1
24	50310166000	CONNECTING LINK F. 50310165118	1
33	54010100100	RIM LOCK VM3 (2.15")	2
34	50310090050	NUT FOR WHEEL HOLDER '96	2
38	55003135000	PLUG FOR RIM	x
39	50210086000	COVERING CAP SFL16	x
40	77310085044	WHEEL SPINDLE RE. CPL.265MM 07	1
41	50310084000	CHAIN TENSIONER R/S 2000	1
42	50304040100	SCREW M10X1,25X50 WS=10	2
43	58414030000	HH COLLAR NUT M10X1,25 WS=13	2

117711010 / C115031011

* NEW PART

X AS REQUIRED

REAR WHEEL

125 SX 2011

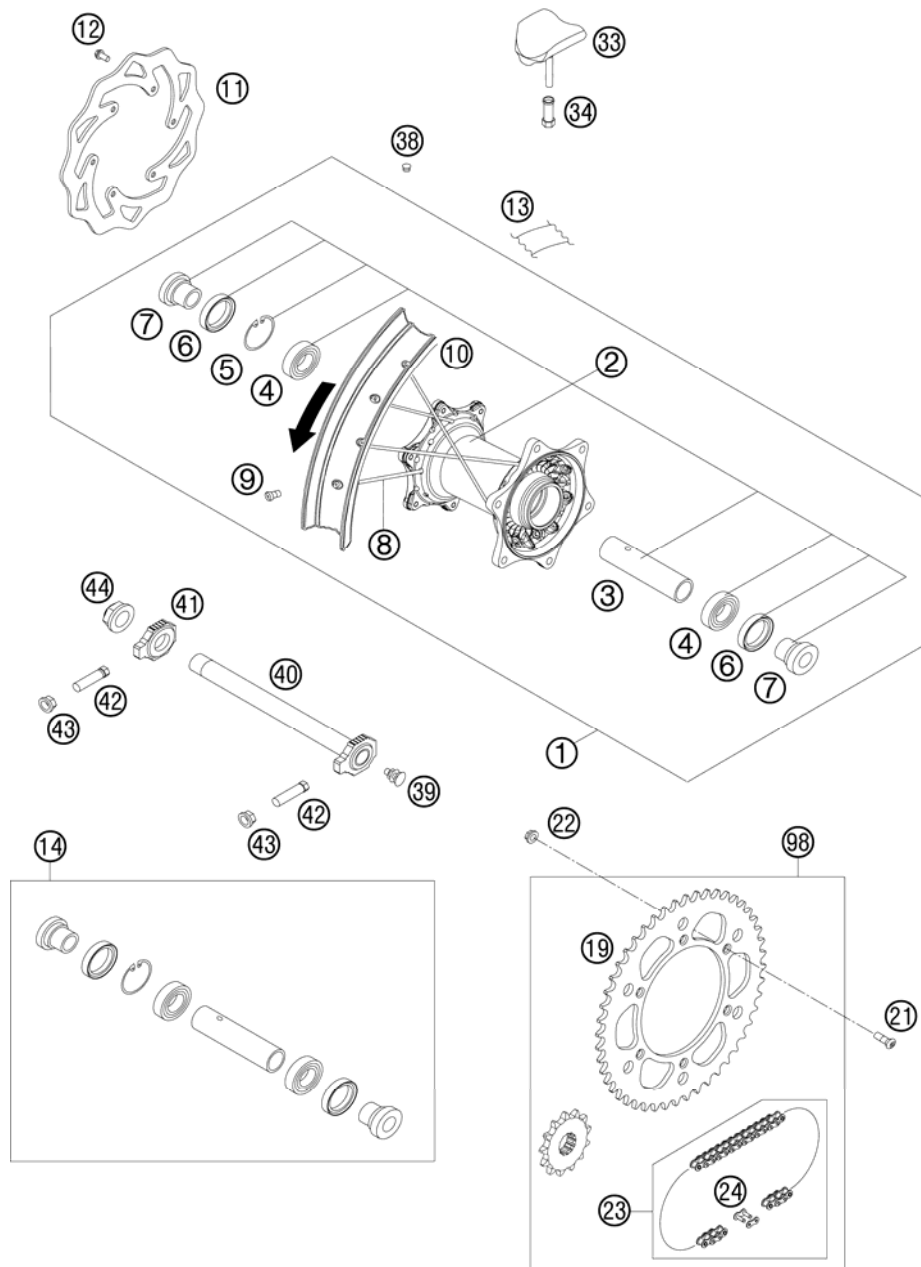


FIG	PART NUMBER	DESCRIPTION	QTY
44	50310099000	HEXAGON NUT M20X1,5 '98	1
98*	00050002005	DRIVETRAIN KIT 125 SX 13T/50T	x

117711010 / C115031011

* NEW PART

X AS REQUIRED

BRAKE CALIPER REAR

125 SX 2011

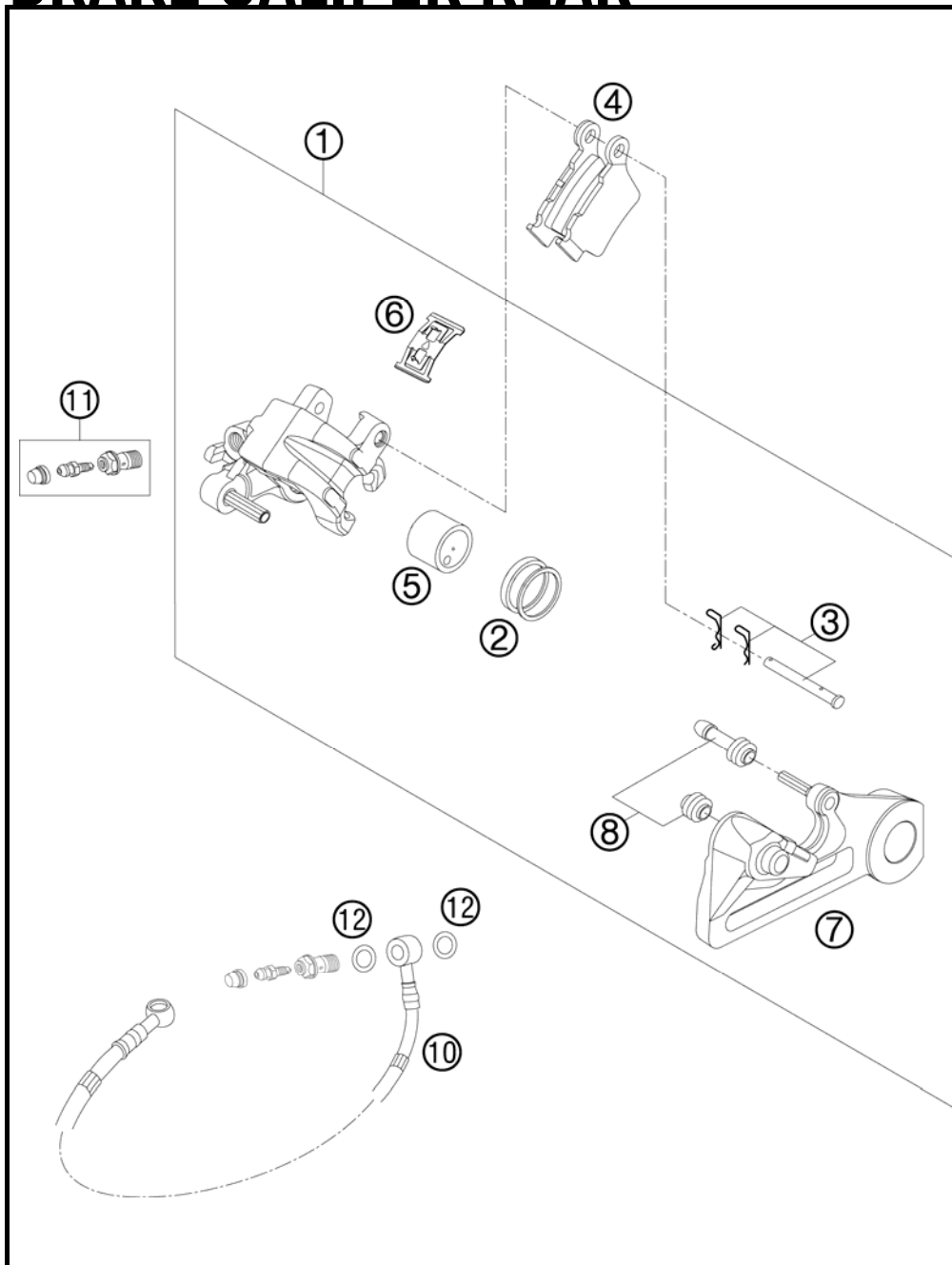


FIG	PART NUMBER	DESCRIPTION	QTY
1	54813080101	BRAKE CAL. RE. - WITHOUT PADS	1
2	50313081200	REPAIR KIT SEALING RINGS 26MM	1
3	54813082000	BOLT SET FOR BRAKE CALIPER 03	1
4	54813090300	BRAKE PAD SET REAR TOYO	1
5	54813083000	BRAKE PISTON 26MM 2003	1
6	54813018000	RETAINING SPRING SET 2003	1
7	54813075000	BRAKE CALIPER SUPPORT REAR	1
8	54613218000	CUP SET SHORT	1
10	54813070000	BRAKE HOSE REAR 655MM 03	1
11	62513020000	BLEEDER SCREW CPL. 05	1
12	0603100141	COPPER GASKET DIN7603-10X14X1	2

095031390 / C095031390

* NEW PART

X AS REQUIRED

HAND BRAKE CYLINDER

125 SX 2011

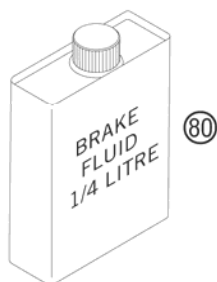
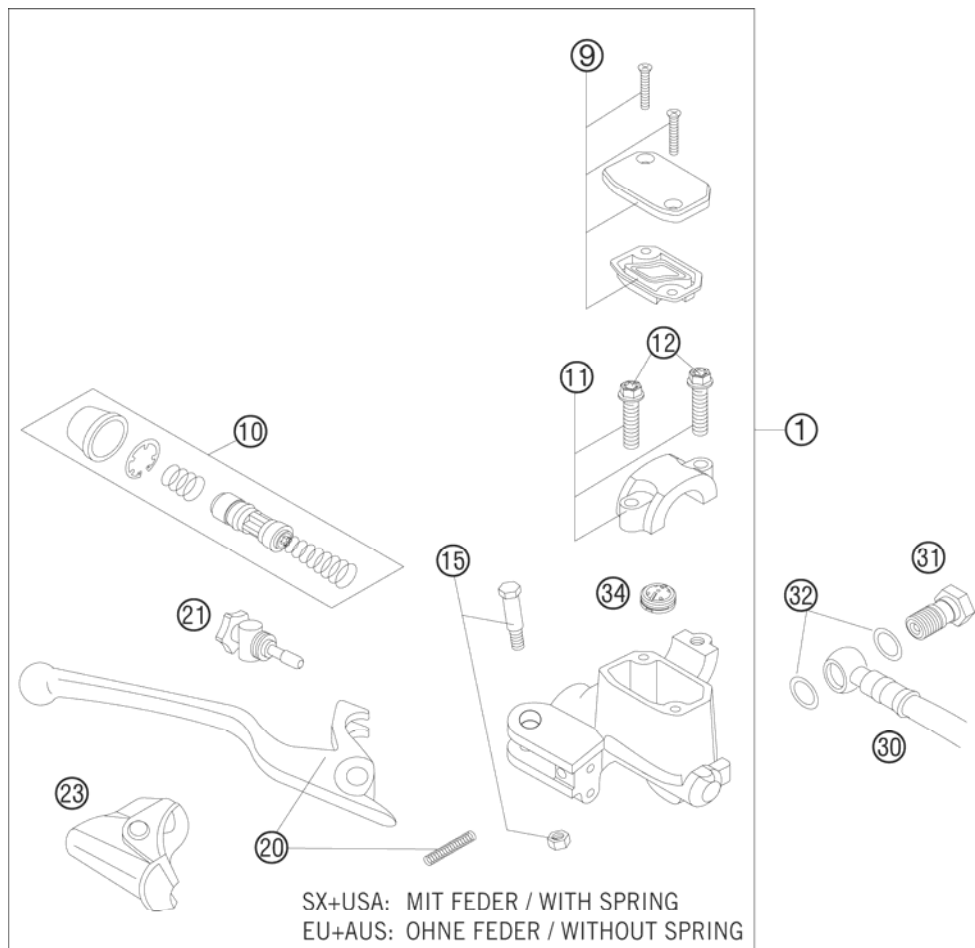


FIG	PART NUMBER	DESCRIPTION	QTY
1	77013001044	HAND BRAKE CYLINDER CPL. SX 09	1
9	50313003000	HANDBRAKE CYL. COVER CPL. NATURE	1
10	54813008300	REP. SET PISTON D=9MM 2009	1
11	50313005000	CLAMP CPL. NATURE	1
12	0025060256	HH COLLAR SCREW M6X25 TX30	2
15	50313006100	LEVER SCREW CPL. 2001	1
20	54813002200	HAND BRAKE LEVER + SPRING 2009	1
21	54813007300	ADJUSTING SCREW CPL. SX 2009	1
23	50313004000	PROTECTION CAP HAND BRAKE CYL.	1
30	59013010000	BRAKEHO. FRONT 1235MM 2000	1
31	54813020200	BANJO SCREW 08	1
32	0603100141	COPPER GASKET DIN7603-10X14X1	2
34	54802051000	VALVE	1
80	00062030000	BRAKE FLUID DOT5.1 0,25L	1

097701310 / C107701310

* NEW PART

X AS REQUIRED

BRAKE CALIPER FRONT

125 SX 2011

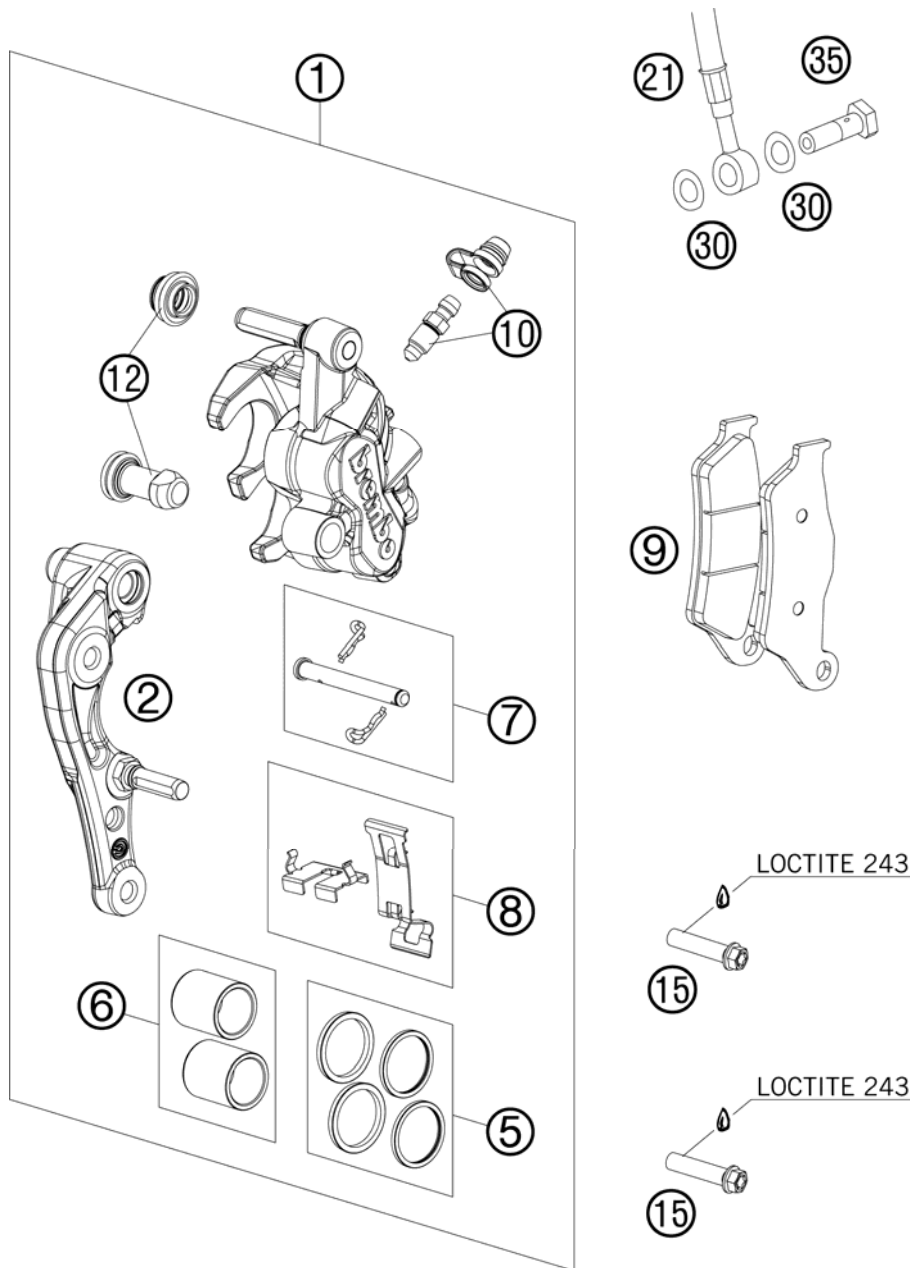


FIG	PART NUMBER	DESCRIPTION	QTY
1	7701301500101	CALIPER NAT. WITHOUT PADS	1
2	77013014000	BRAKE CALIPER SUPPORT FRONT 09	1
5	77013021000	REP. KIT SEALS 24MM	1
6	77013019000	REP. KIT PISTON 24MM	1
7	77013017000	BOLT CPL. 09	1
8	77013018000	RETAINING PLATE SET BREMBO	1
9	77013020000	BRAKE PADS TOYO B153	1
10	61013020100	BLEEDER SCREW WITH CAP	1
12	54613218000	CUP SET SHORT	1
15	0025080356S	HH COLLAR SCREW M8X35 TX40	2
21	59013010000	BRAKEHO. FRONT 1235MM 2000	1
30	0603100141	COPPER GASKET DIN7603-10X14X1	2
35	50213025000	HOLLOW SCREW M10X1X19	1

097701361 / C107701360

* NEW PART

X AS REQUIRED

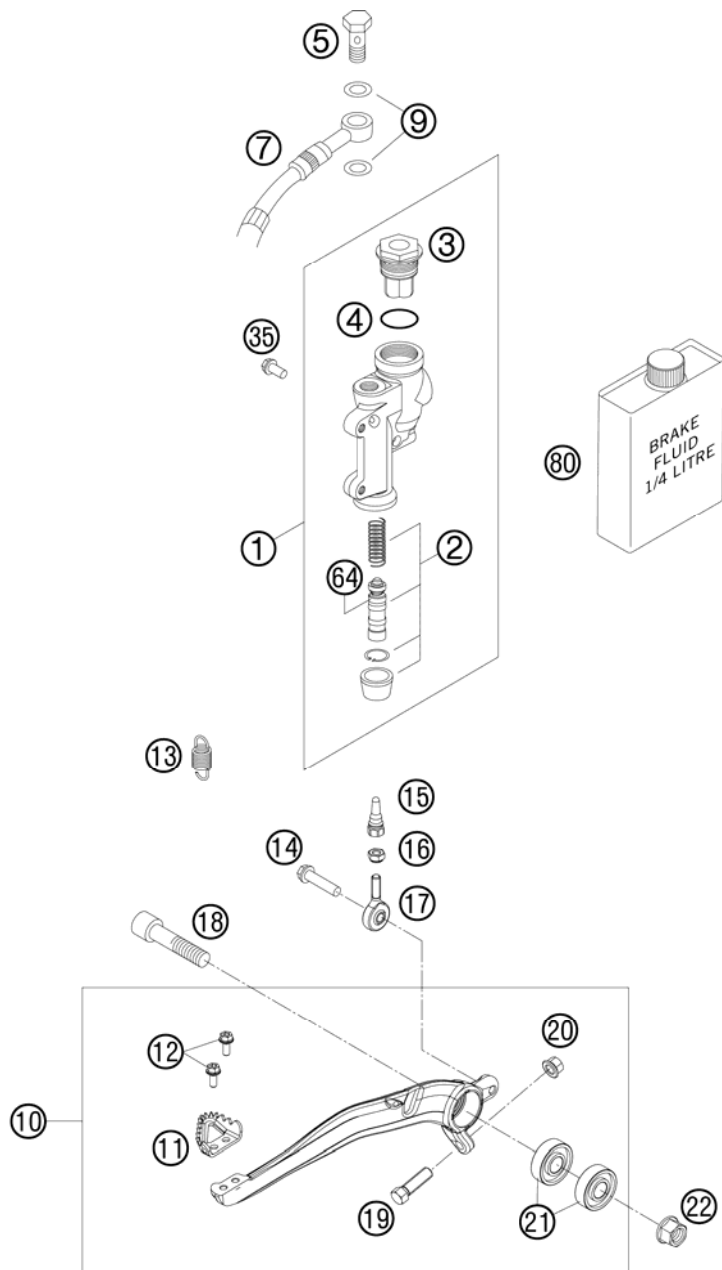


FIG	PART NUMBER	DESCRIPTION	QTY
1	54813060100	REAR BRAKE CYLINDER CPL. 2004	1
2	54813061200	REPAIR KIT PISTON 13MM 06	1
3	54813062100	REAR BRAKE CYL. COVER CPL. 04	1
4	54813063000	FOOT-BRAKE CYL. GASKET SX 03	1
5	54813020200	BANJO SCREW 08	1
7	54813070000	BRAKE HOSE REAR 655MM 03	1
9	0603100141	COPPER GASKET DIN7603-10X14X1	2
10*	77213050044	FOOT BRAKE LEVER CPL.	1
11	54813051000	STEP PLATE FOR BRAKE LEVER	1
12	0025050126	HH COLLAR SCREW M5X12 TX30	2
13	54603062000	RETURN SPRING FOR BRAKE LEVER	1
14	0025060206S	HH COLLAR SCREW M6X20 TX30	1
15	54813056000	PUSH ROD L=28MM 03	1
16	0985060003	SELF LOCK. NUT DIN0985-M 6	1
17	54813055000	SWIVEL HEAD KA6 03	1
18*	0032100406S	AH-COLLAR SCREW M10X40 ISA45	1
19	59001037000	SPECIAL SCREW M8X26 WS=10	1
20	46030045000	COLLAR NUT M8 WS=10	1
21	0625060002	BALL BEARING SKF 6000-2RS1	2
22	54630044000	COLLAR NUT M10 WS=13	1
35	0025060126	HH COLLAR SCREW M6X12 TX30	2
64	54813064200	BELLOWS FOR REPAIR KIT 06	1
80	00062030000	BRAKE FLUID DOT5.1 0,25L	1

115151330 / C115151330

* NEW PART

X AS REQUIRED

①
OHNE ABBILDUNG
WITHOUT ILLUSTRATION

①
TECHNISCHE DOKUMENTATION
TECHNICAL DOCUMENTATION
DOCUMENTACION TECNICA
DOCUMENTATION TECHNIQUE
NOTE TECNICHE

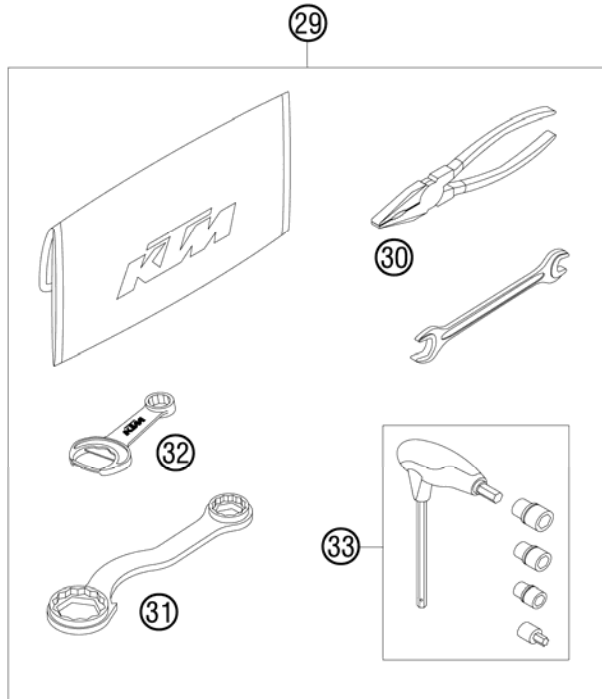


FIG	PART NUMBER	DESCRIPTION	QTY
0	00062030019	AIR FILTER OIL 100ML	1
0	312305	DOCUMENTS BAG 2006	1
0	312313	KTM BALLPOINT PEN ORANGE	1
0	3210039	CUSTOMER WELCOME LETTER	1
0	5030314013390	FOOTPEG L.+R. CPL. 03	1
0	51535033050	COVER FOR RADIATOR FULL	1
0	51535033051	COVER FOR RADIATOR HALF	1
0	77202002100	BAR PAD CPL.	1
0	77203094000	PLASTIC FRAME PROTECTION SET	1
1*	3211596EN	OWN.MAN.125/150/250 SX 2011	1
1*	3CF6101K0EN	SPM CHASSIS 125 SX 2011	1
1*	3CM081521KEN	SPM ENGINE 125 SX 2011	1
29	54829099000	ORIGINAL EQUIPMENT TOOL KIT	1
30	53012028200	GRIP ORANGE B&F	1
31	50329080100	WRENCH SW=17/21/27/32 B&F	1
32	50329071100	WRENCH WS=13 B&F + OPENER	1
33	60029070200	T-WRENCH WS=6/8/10 TX=45 B&F	1

085032001 / C115032003

* NEW PART

X AS REQUIRED



KTM-Sportmotorcycle AG
A-5230 Mattighofen
www.ktm.at

KTM Group Partner



3CF6101K0EN



Art.Nr.: 3CF6101K0EN 5/2010