



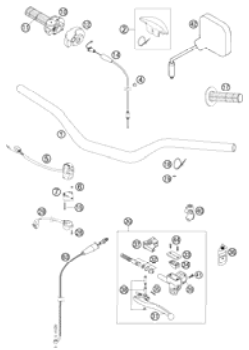
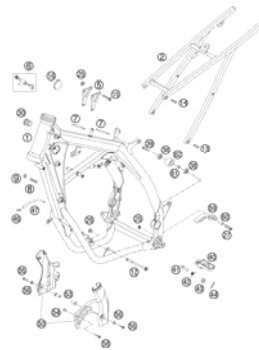
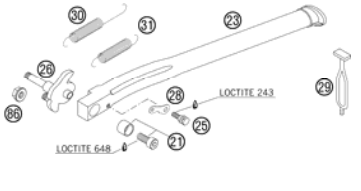
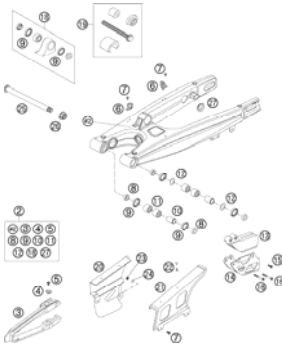
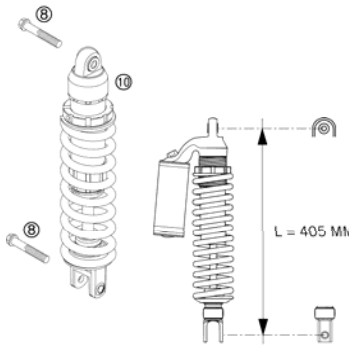
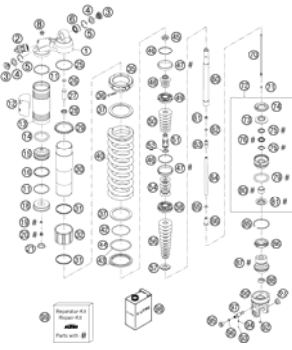
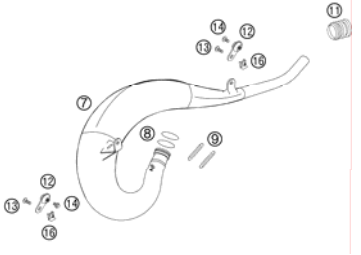
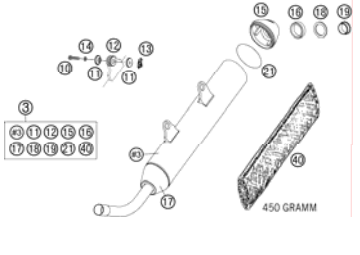
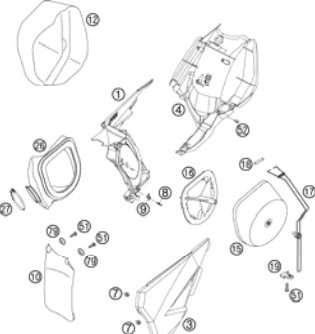
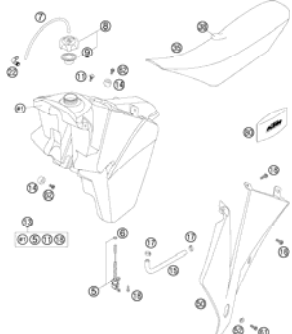
## SPARE PARTS MANUAL: CHASSIS

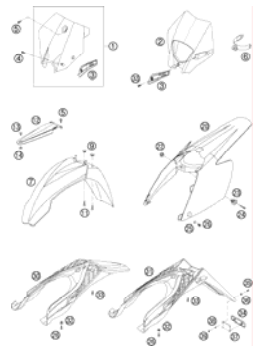
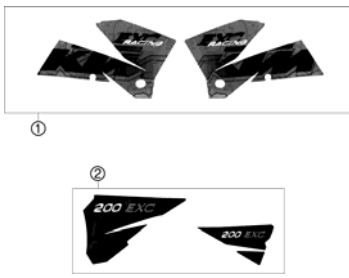
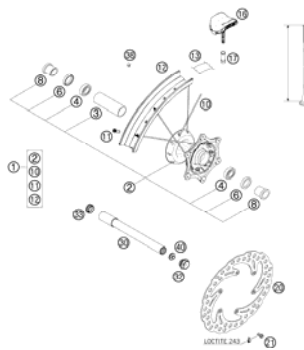
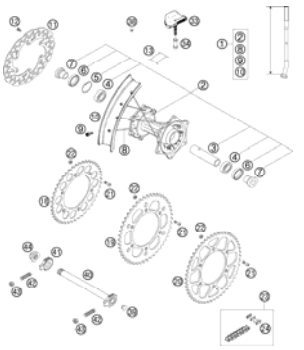

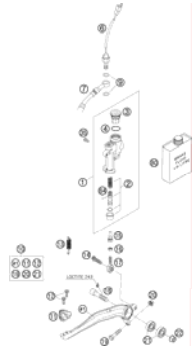
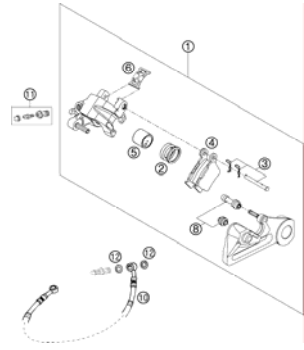
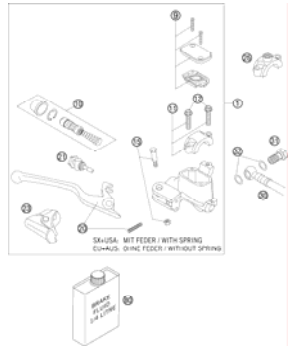
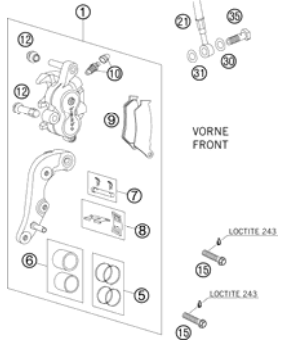
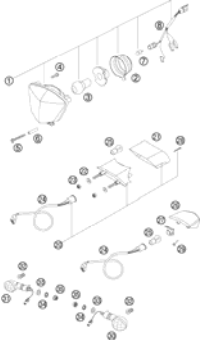
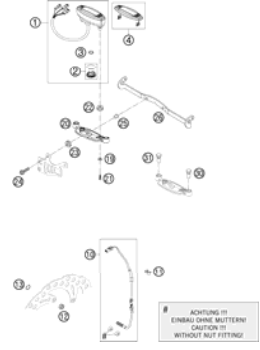
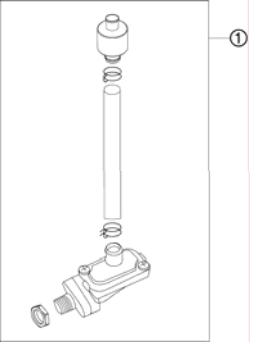
ART.NO.: 3CF7203F0EN

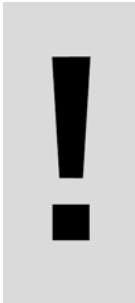
ENGLISH





<p><b>FRONT FORK WP USD 48</b></p>  <p><b>4</b></p>	<p><b>FORK LEGS WP USD 48</b></p>  <p><b>5</b></p>	<p><b>HANDLEBAR, CONTROLS</b></p>  <p><b>8</b></p>	<p><b>FRAME, SUB FRAME</b></p>  <p><b>9</b></p>
<p><b>SIDE STAND</b></p>  <p><b>11</b></p>	<p><b>SWINGARM</b></p>  <p><b>12</b></p>	<p><b>MONOSHOCK WP</b></p>  <p><b>13</b></p>	<p><b>MONOSHOCK DISASSEMBLED</b></p>  <p><b>14</b></p>
<p><b>EXHAUST PIPE</b></p>  <p><b>18</b></p>	<p><b>EXHAUST SILENCER</b></p>  <p><b>19</b></p>	<p><b>AIR FILTER BOX</b></p>  <p><b>20</b></p>	<p><b>TANK, SEAT, COVER</b></p>  <p><b>21</b></p>

<b>MASK, FENDERS</b>  <b>22</b>	<b>DECAL</b>  <b>23</b>	<b>FRONT WHEEL</b>  <b>24</b>	<b>REAR WHEEL</b>  <b>25</b>
<b>WIRING HARNESS</b>  <b>26</b>	<b>REAR BRAKE CONTROL</b>  <b>27</b>	<b>BRAKE CALIPER REAR</b>  <b>28</b>	<b>HAND BRAKE CYLINDER</b>  <b>29</b>
<b>BRAKE CALIPER FRONT</b>  <b>30</b>	<b>LIGHTING SYSTEM</b>  <b>31</b>	<b>SPEEDOMETER</b>  <b>32</b>	<b>SECONDARY AIR SYSTEM</b>  <b>33</b>

		<p>All information contained is without obligation. KTM-Sportmotorcycle AG particularly reserves the right to modify any equipment, technical specifications, prices, colors, shapes, materials, services, service work, constructions, equipment and the like so as to adapt them to local conditions or to cancel any of the above items, all without previous announcement and without giving reasons. KTM may stop manufacturing certain models without previous notice. KTM shall not be held liable for any deviations of availability and/or ability to deliver, illustrations, descriptions, printing and/or other errors. The illustrated models partly contain extra equipment, which is not applied to standard models. © 2004 by KTM-SPORTMOTORCYCLE AG, Mattighofen AUSTRIA; All rights reserved; Reprint, also in extracts, with written allowance of KTM-SPORTMOTORCYCLE AG, Mattighofen only.</p>	

# FRONT FORK WP USD 48

200 EXC EU 2006

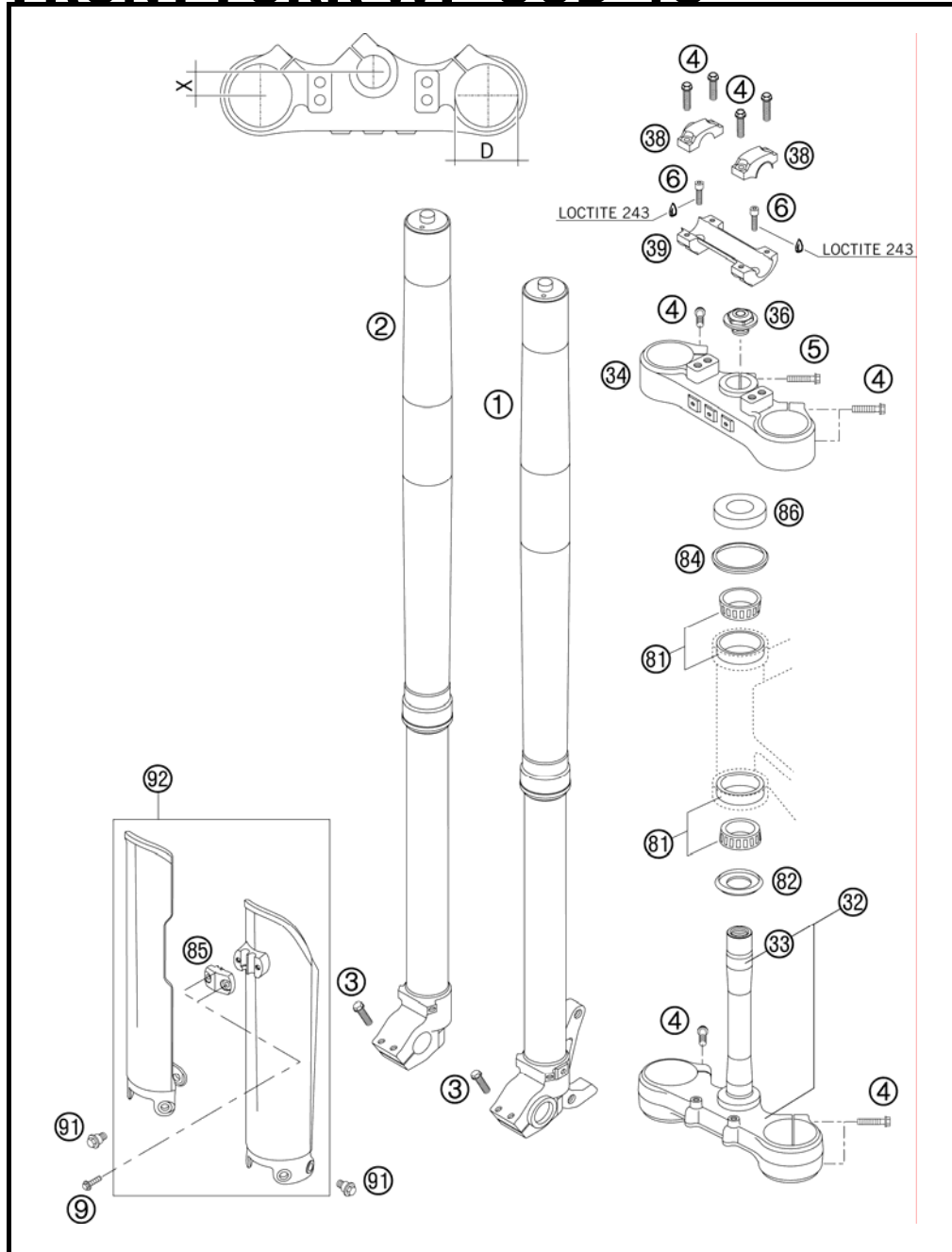


FIG	PART NUMBER	DESCRIPTION	QTY
1*	14187B02LS	FORK LEG L/S WP48 EXC 06	1
2*	14187B02RS	FORK LEG R/S WP48 EXC 06	1
3	0015080253	HH COLLAR SCREW M 8X25 WS=10	4
4	0015080303	HH COLLAR SCREW M 8X30 WS=10	12
5	0015080353	HH COLLAR SCREW M 8X35 WS=10	1
6	0912100250	AH SCREW DIN6912-M10X25,10.9,L	2
9	0017060203	EJOT PT SCREW K60X20 WS=6	2
32	59001132120	BOT.TRIP.CL.CPL. X=20MM/D=60MM	1
33	50101033100	FORK TUBE L=244 '91	1
34	59001034120	TOP TRIPLE CLAMP X=20MM/D=54MM	1
36	54801036000	STEER.HEAD SCREW M20X1,5 WS=27	1
38	59001038200	HANDLEBAR CLAMP D=28MM 2000	2
39	59001039100	HANDLEBAR SUPPORT 28MM SC'99	1
81*	54201081100	TAPERED ROLLER BEARING CPL. 06	2
82	54601084100	O-RING SUPPORT W. SEALING LIP	1
84	54601184000	STEERING HEAD GASKET TOP	1
85*	5900108510004	CLAMP F.SPEED.CABLE ORANGE 06	1
86	54201086000	STEERING HEAD COVER	1
91	59001092050	SPECIAL SCREW M6X12,5 WS=8	6
92*	5900109400004	FORK PROTECTION L/S ORANGE 02	1

065230100 / C065230100

\* NEW PART

X AS REQUIRED



# FORK LEGS WP USD 48

200 EXC EU 2006

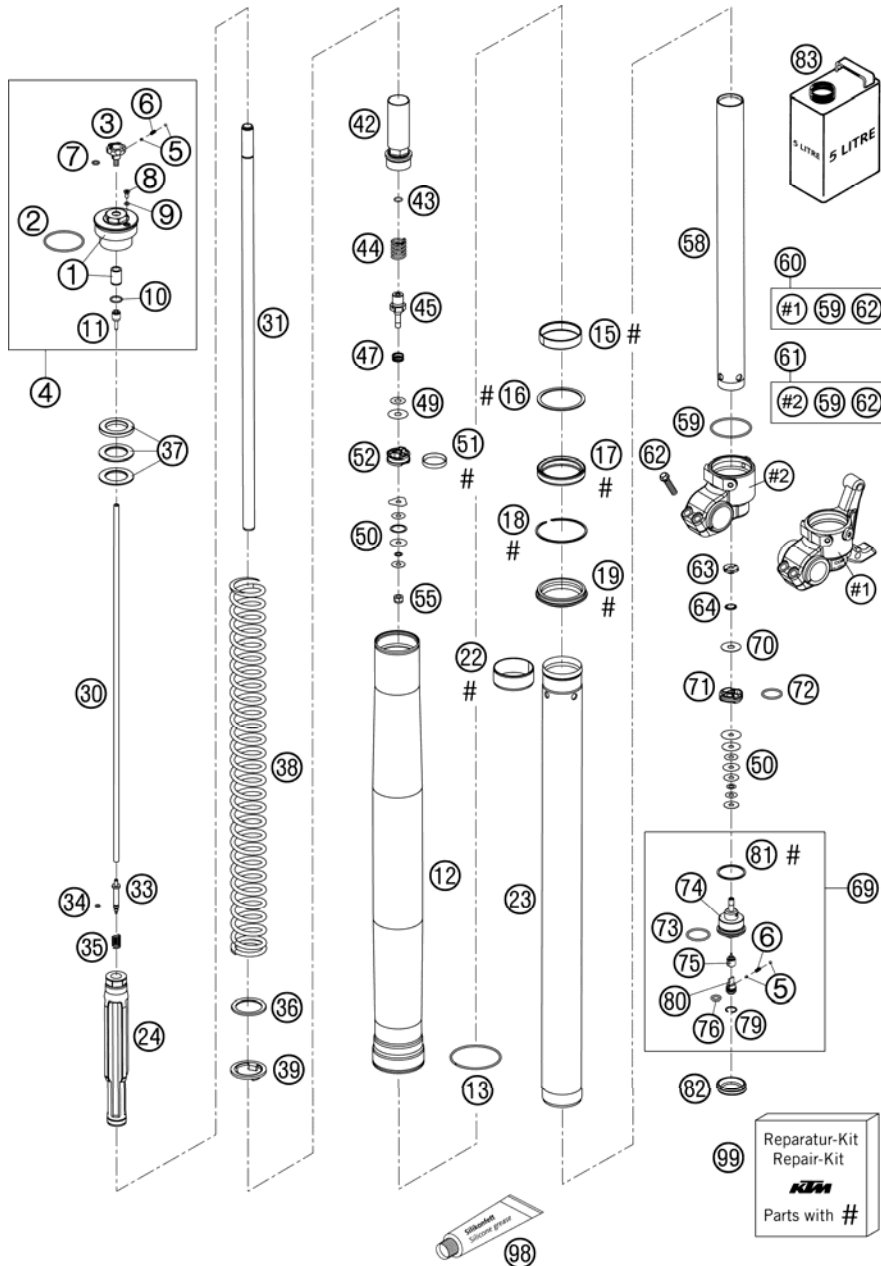


FIG	PART NUMBER	DESCRIPTION	QTY
1*	48600020S1	SCREW CAP M51X1,5 CPL.	2
2	46810340	O-RING NBR 45X2	2
3	48600018	KNOB REBOUNG ADJUSTER	2
4	48600020S1	SCREW CAP M51X1,5 CPL.	2
5	40540603	STEEL BALL D=3MM	8
6	48600028	SPRING D=2,9 L=7,9	4
7	48600044	O-RING NBR 6X1,5	2
8	48600058	VENT SCREW M4X6	2
9	48600009	O-RING NBR 3,7X1,6	2
10	48600043	O-RING NBR 12X1,5	2
11	48600019	HOLDER F.ADJUSTMENT TUBE D=4MM	2
12*	48600492E	OUTER TUBE L=577 D=54/60	2
13	48600016	GUIDING RING D=58MM	2
15*	48600429	DU-BUSH D48XD52X12DDL02	2
16	48600013	SUPPORT RING 50 X 57,6 X 1,5	2
17	48600399	OIL SEAL RING 48X57,8X9,5	2
18	48600070	LOCK WASHER SB58	2
19	48600400	DUST STRIPPER D=48 58,4X11,8	2
22*	48600428	DU-BUSH D47XD49X20DDL02	2
23*	48600437	INNER TUBE D=48 L=595	2
24	48600380S	HYDR.STOP L=200MM D=31,9 CPL.	2
30	48600092	ADJUSTMENT TUBE L=517MM	2
31	48600409	PISTON ROD D=14 L=551 M11X1	2
33	48600189	NEEDLE REBOUNG 2003	2
34	48600046	O-RING NBR 3X1,5	2
35	48600033	SPRING REBOUNG NEEDLE C=4N/MM	2
36	48600113	WASHER 32X42X2,5	2
37	48600036	SPACER 42X26,5X2,5	2
37	48600037	SPACER 42X26,5X5	2
37	48600038	SPACER 42X26,5X10	2
37	48600053	SPACER 42X26,5X1,5	2
38	91410011S	SPRING 3,6N/MM SET	x
38	91410012S	SPRING 3,8N/MM SET D=4,9MM	x
38	91410013S	SPRING 4,0N/MM SET D=5,0MM	x
38	91410014S	SPRING 4,2N/MM SET D=5,0MM	x
38	91410015S	SPRING 4,4N/MM SET D=5,1MM	x

065230102 / C065230102

\* NEW PART

X AS REQUIRED

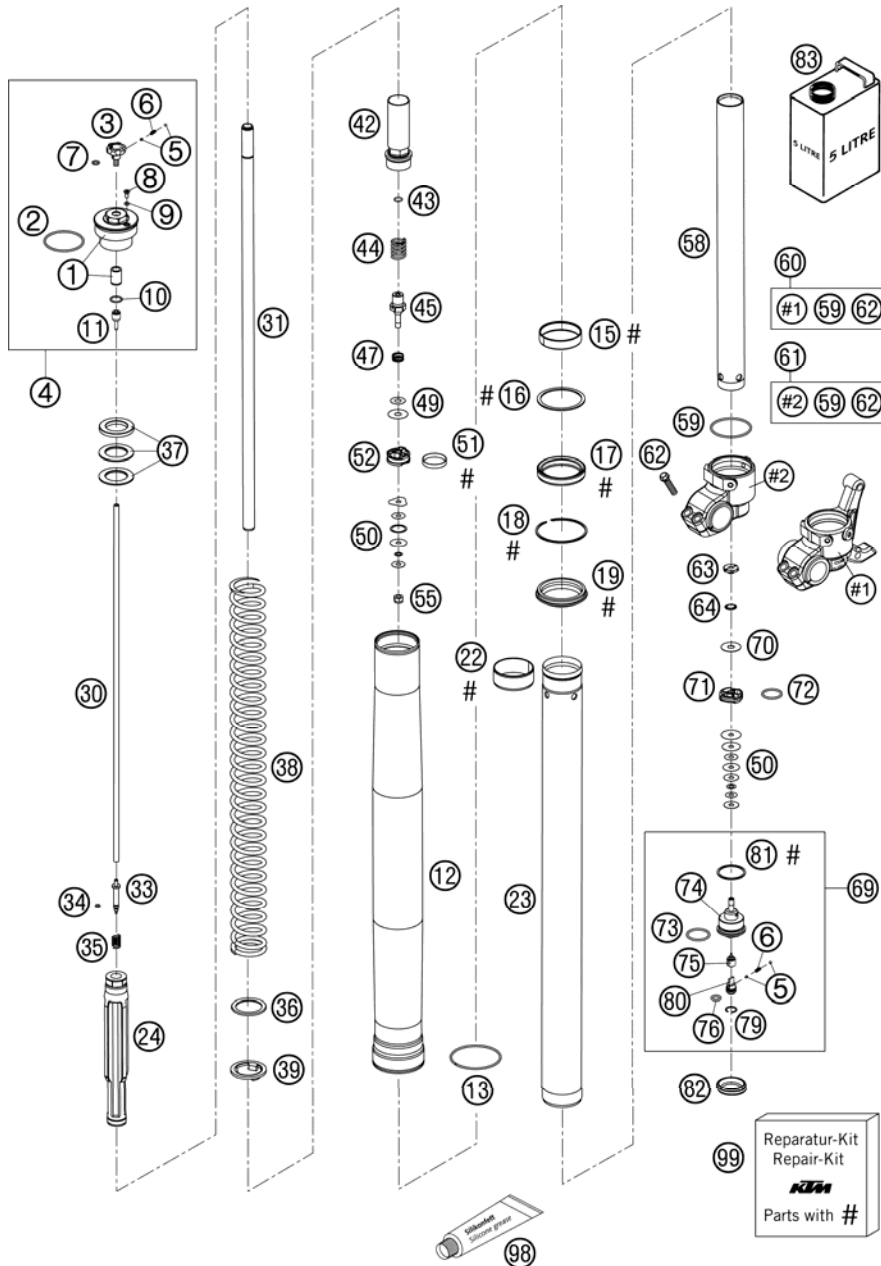


FIG	PART NUMBER	DESCRIPTION	QTY
38	91410016S	SPRING 4,6N/MM SET	x
38	91410017S	SPRING 4,8N/MM SET	x
39	48600021	INTERM. RING 26,2 X 43 X 3	2
42	48600383S	SCREW SLEEVE M29,3X1 L=90 CPL.	2
43	48600239	O-RING NBR 8X1,25	2
44	48600403	REBOUND SPRING D=15MM L=34,5MM	2
45	48600203	TAB REBOUND D=3 03	2
47	35480377	SPRING CHECK VALVE D=0,5	2
49	48600062	CHECK VALVE 8X24X0,1	8
49	48600068	CHECK VALVE 8X18X0,1	2
49	48600215	CHECK VALVE 8X20X0,1	2
49	48600216	CHECK VALVE 8X22X0,1	2
50	40540401	SHIM 6X14X0,1	x
50	40540402	SHIM 6X16X0,1	x
50	40540403	SHIM 6X18X0,1	x
50	40540414	SHIM 6X16X0,25	x
50	40540415	SHIM 6X18X0,25	x
50*	40540448	BACKPLATE 6X8,5X0,30	x
50	40540450	SHIM 6X9,5X0,3	x
50	48600063	SHIM 6X24X0,1	x
50	48600064	SHIM 6X22X0,1	x
50	48600065	SHIM 6X20X0,1	x
50	48600116	SHIM 6X24X0,1 DELTA	x
51	48600060	PISTON RING 5X1X84	2
52	48600042	PISTON REBOUND D=27,7	2
55	40540486	NUT M6X0,5 REBOUND	2
58	48600081	TUBE 29,3X1X390 D=8,5MM	2
59	48600048	O-RING NBR 46 X 2	2
60	48600237S	AXLE CLAMP L/S CPL. USD48 04	1
61	48600238S	AXLE CLAMP R/S CPL. USD48 04	1
62	0015080253	HH COLLAR SCREW M 8X25 WS=10	4
63	48600163	CHECK VALVE NUT M6X0,5 D=2	2
64	48600202	SPRING CHECK VALVE D=0,7	2
69	48600152S1	TAP COMPRESSION CPL. 03	2
70	48600061	CHECK VALVE 8X24X0,4	2
71	48600047	PISTON COMPRESSION D=27,9	2

065230102 / C065230102

\* NEW PART

X AS REQUIRED



# FORK LEGS WP USD 48

200 EXC EU 2006

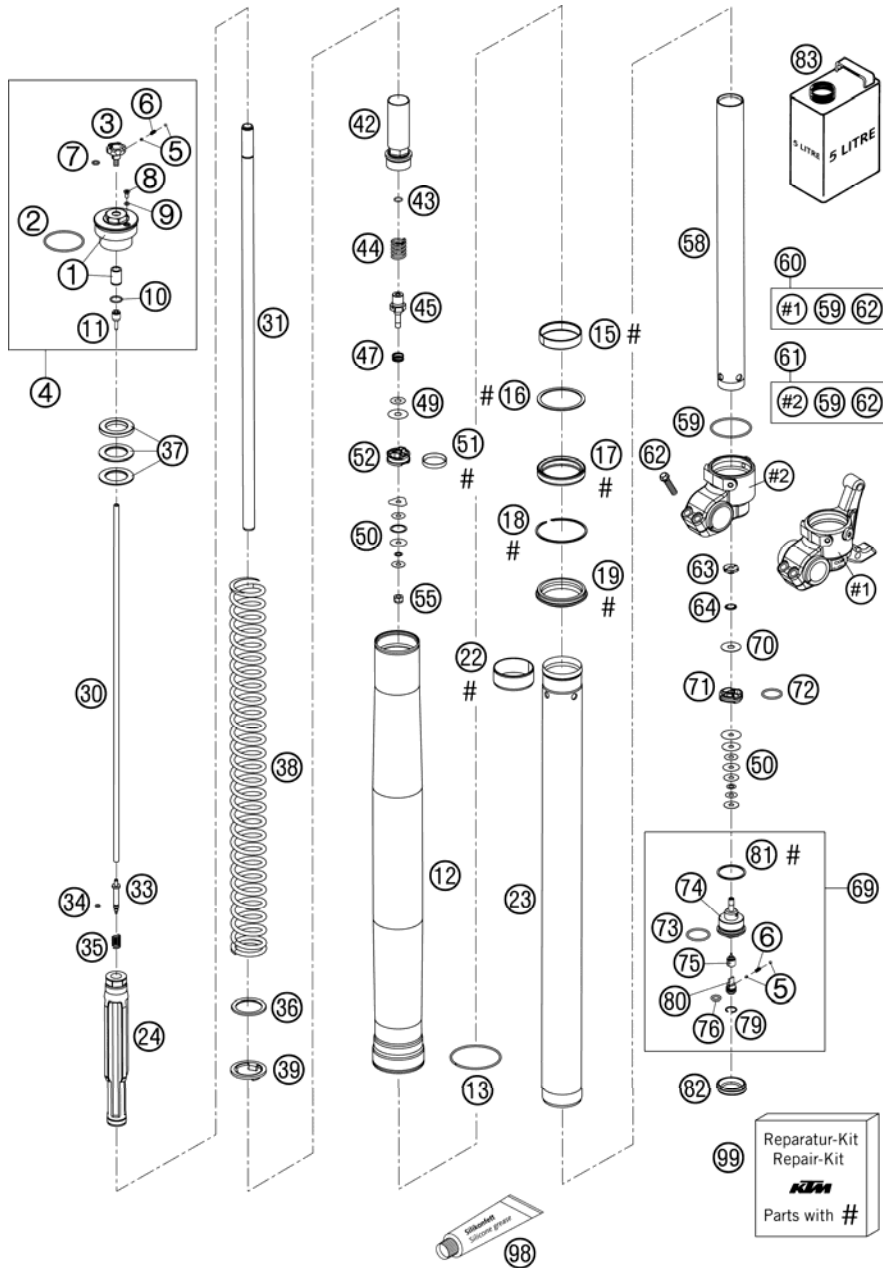


FIG	PART NUMBER	DESCRIPTION	QTY
72	46811499	O-RING NBR 21X2	2
73	35480320	O-RING NBR 24X2	2
74	48600152	TAP COMPRESSION	2
75	48600190	NEEDLE COMPRESSION 2003	2
76	48600049	O-RING NBR 8X2	2
79	48600051	LOCK WASHER RB12	2
80	48600034	COMPRESSION ADJ. SCREW	2
81	48600004	COPPER WASHER 29,5X33,5X1	2
82	48600141	RUBBER CAP D=35MM	2
83	48600401S1	FORK OIL SAE 5 2005	1
98	T511	SILICONE GREASE F. DUST STRIP.	1
99*	R14013	REPAIR-KIT GASKET 4860 MXMA 06	1

065230102 / C065230102

\* NEW PART

X AS REQUIRED



# HANDLEBAR, CONTROLS

200 EXC EU 2006

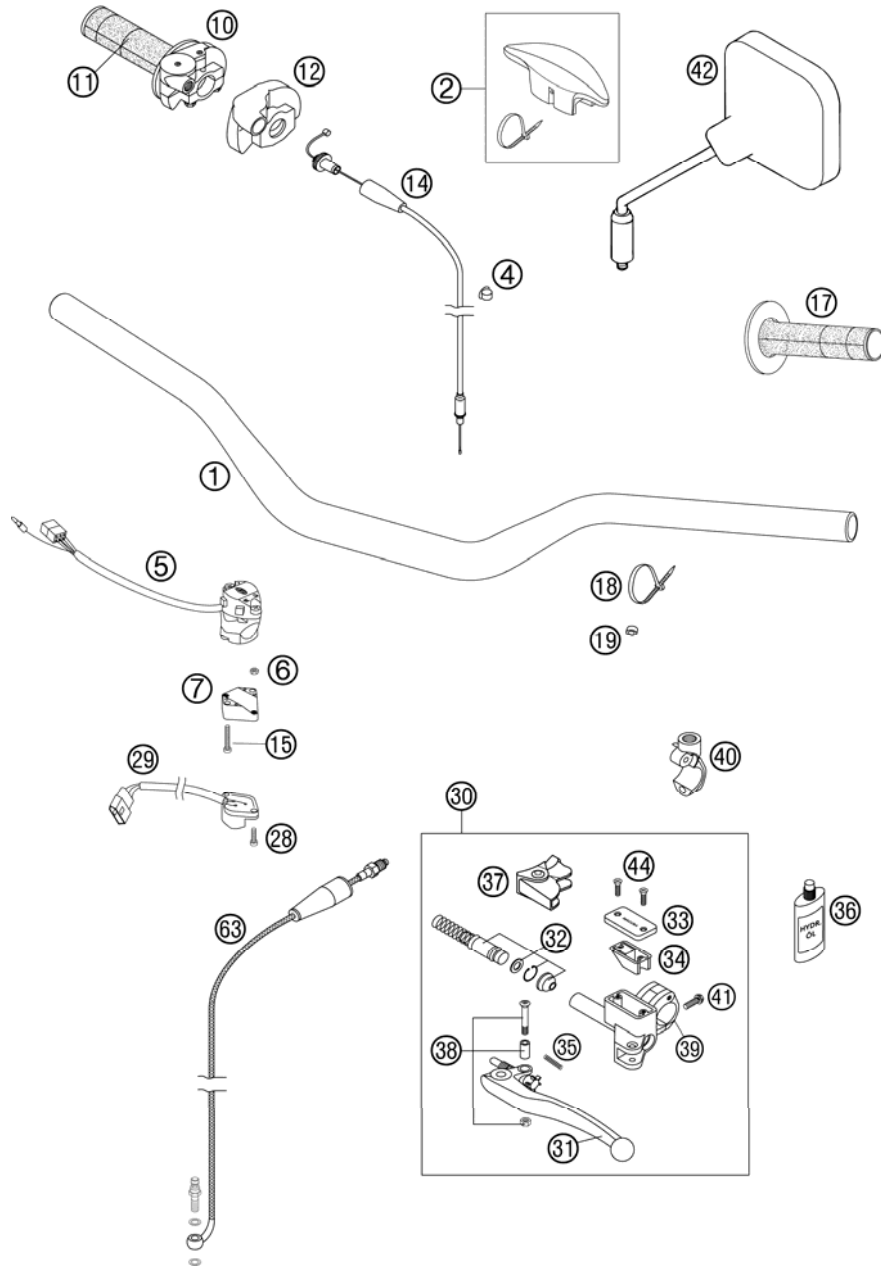


FIG	PART NUMBER	DESCRIPTION	QTY
1*	59002001000	HANDLEBAR 28MM HIGH 2000	1
2	59002002000	FATBAR PAD 05	x
4	57013072000	WIRING HOLDER 12MM	1
5	50311070000	H.LIGHT SWITCH CEV 2/4TAKT '98	1
6	0934040003	HEXAGON NUT DIN0934-M 4	2
7	13011070060	ADAPTER FOR FLASHER SWITCH '98	1
10	54802010000	THR.TWIST CRIP CPL. W.O.CA. 04	1
11	54802013000	TWIST GRIP COVER RENTHAL 04	1
12	50302020000	PROTECTION COVER '97	1
14	50302091000	THROTTLE C. 125-380 DOM./KEIH.	1
15	0084040223	CYL.HEAD SCREW DIN0084-M 4X22A	2
17	54802039000	FIXED GRIP RENTHAL 04	1
18	44011076200	CABLE TIE 200/3,6MM BLACK	1
19	50301089000	SPACER BUSHING 6X10X5	1
28	0985040203	FLAT HEAD SCREW DIN7985-M 4X20	2
29	50311029000	FLASHER SWITCH CEV '98	1
30	50302030200	MASTER CYLINDER CPL. 9,5MM 04	1
31	54602031000	CLUTCH LEVER SHORT CPL. 2003	1
31	59002031000	CLUTCH LEVER LONG CPL. 2003	x
32	59002032000	REP.KIT PISTON 9,5MM RAC. 2000	1
33	50302033100	COVER HYD.CLUTCH 2T 2000	1
34	50302034000	RUBBER FOR RESERVOIR '98	1
35	59002035000	SPRING FOR CLUTCH LEVER 03	1
36	50302036200	OIL FOR HYD. CLUTCH 75ML	1
37	50302037000	PROTECT.CAP FOR LEVER PERCH'98	1
38	50302038000	LEVER SCREW CPL. 125-200 '98	1
39	50302030150	CLAMP WITH PIN 2000	1
40	59002044000	CLAMP MIRROR WITH PIN	x
41	0015060203	HH COLLAR SCREW M 6X20 WS=8	1
42	58012040000	REAR MIRROR L/S	x
42	58012140000	REAR MIRROR R/S	x
44	0965040123	FLAT HEAD SCREW DIN0965-M 4X12	2
63	50332063200	CLUTCH PIPE L=970MM 04	1

065230200 / C065230200

\* NEW PART

X AS REQUIRED

# FRAME, SUB FRAME

200 EXC EU 2006

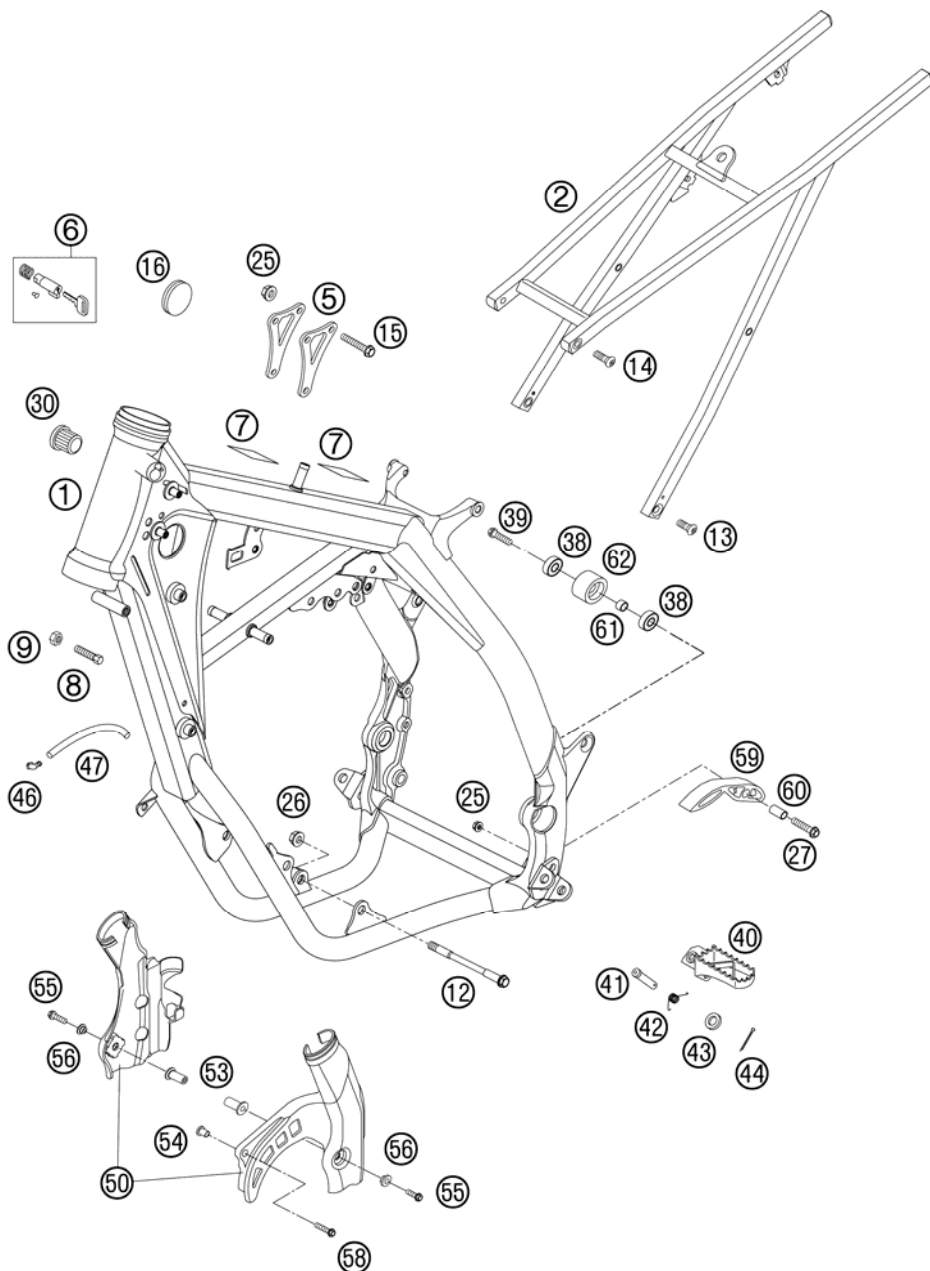


FIG	PART NUMBER	DESCRIPTION	QTY
1*	5030310130030	FRAME 125/200EXC-EU "BC06"	1
2	54803002344	SUB FRAME CPL. 2-T. EXC 05	1
5	52303013000	REINFORCING BRACKET 200 '98	2
6	71003007000	STEERING HEAD LOCK CPL. ZADI	1
7	50307012000	ADH. FOIL TRANSP. 80X80 MM 04	2
8	59001037000	SPECIAL SCREW M8X26 WS=10	2
9	0934080003	HEXAGON NUT DIN0934-M 8	2
12	54603013000	ENGINE BRAC.SCR. M10X105 WS=13	2
13	54610052000	SPROCKET SCREW-AH M8X20 WS=6	2
14	54510052100	SPROCKET SCREW-AH M8X26 WS=6	2
15	56530079000	COLLAR SCREW M8X42 WS=13 10.9	3
16	54606004000	PLUG 37MM	2
18	54403135000	PLASTIC CAP SFL10	1
25	54310086200	SELF LOCKING NUT M8 10.9	4
26	54310086100	SELF LOCKING NUT M10 CU WS=14	2
27	0015080353	HH COLLAR SCREW M 8X35 WS=10	1
30	42007049000	PLASTIC CAP	x
33	36003014000	LOCK WASHER 8MM	2
38*	0625006087	GROOVED BALL BEAR. 608 2RS C3	2
39	0015080303	HH COLLAR SCREW M 8X30 WS=10	1
40	59003040250	FOOT PED L/S SILVER 02	1
40	59003041250	FOOT PED R/S SILVER 02	1
41	54803044000	BOLT FOR FOOT PED 03	2
42	54603041000	FOOTREST SPRING L/S & R/S	2
43	0125100003	WASHER DIN0125-A10,5	2
44	0094032253	PIN DIN0094-3,2X25 STEEL	2
46	50303089000	ANGEL PIECE '97	1
47	55007016001	PVC-HOSE 7X10 PER METER	x
50	54803094100	FRAME PROTECTION SET 05	1
53	54803092050	BLIND PLUG-IN NUT M5 WN 22A 03	2
54	59030060050	BUSHING F. SPROCKET COVER RAC.	1
55	0014050253	HH COLLAR SCREW M 5X25 WS=6	2
56	54803092060	BUSH F. FRAME PROTECTION 03	2
58	0015060403	HH COLLAR SCREW M 6X40 WS=8	1
59	51103053000	CHAIN SLIDING PIECE BELOW '97	1
60	51103053051	BUSHING 8,2X10X20	1

065230300 / C065230300

\* NEW PART

X AS REQUIRED

# FRAME, SUB FRAME

200 EXC EU 2006

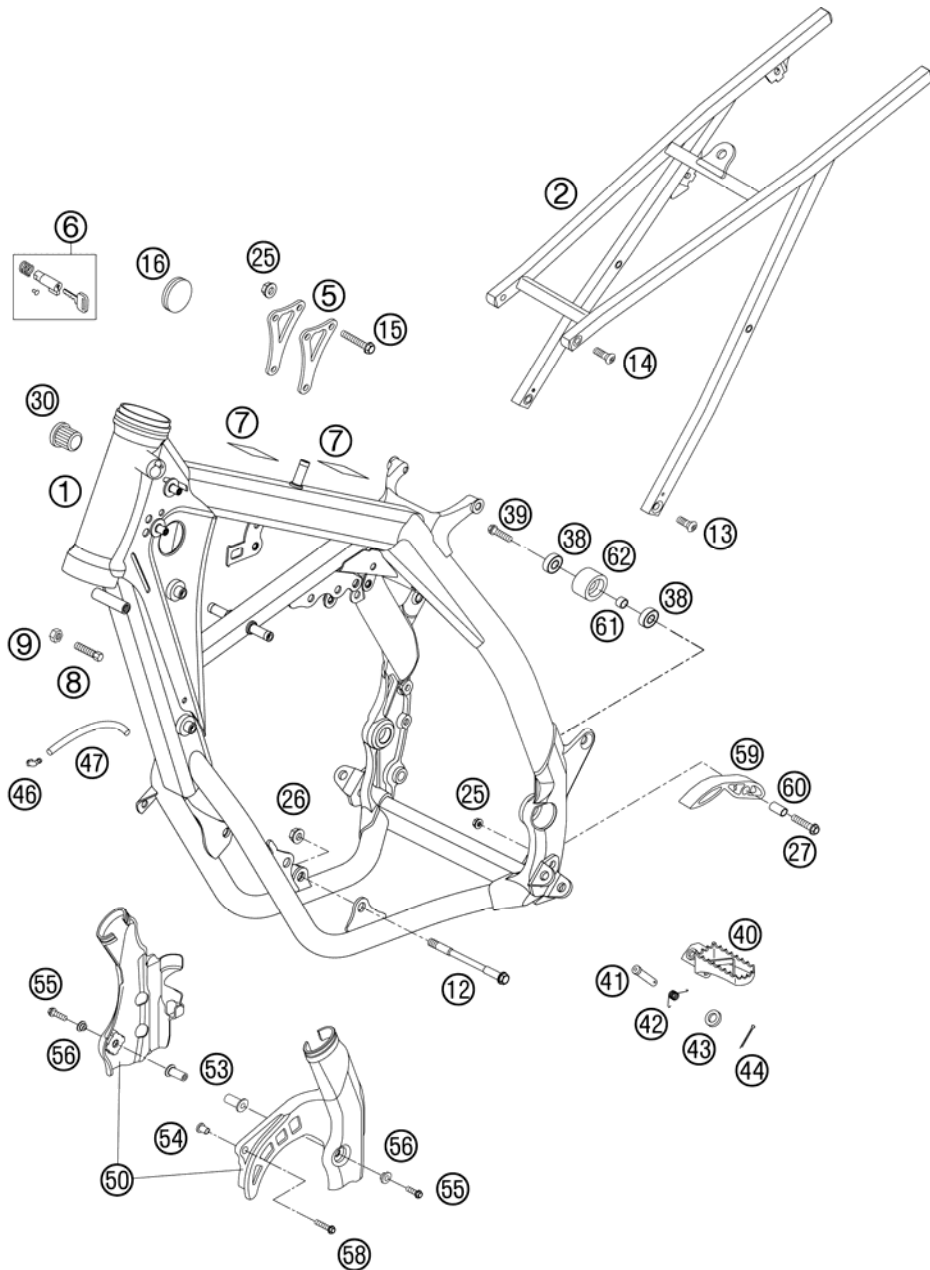


FIG	PART NUMBER	DESCRIPTION	QTY
61*	74003021000	BUSHING 8.2 X 12 X 6	1
62*	50203053000	CHAIN ROLL D=30MM	1

065230300 / C065230300

\* NEW PART

X AS REQUIRED

# SIDE STAND

200 EXC EU 2006

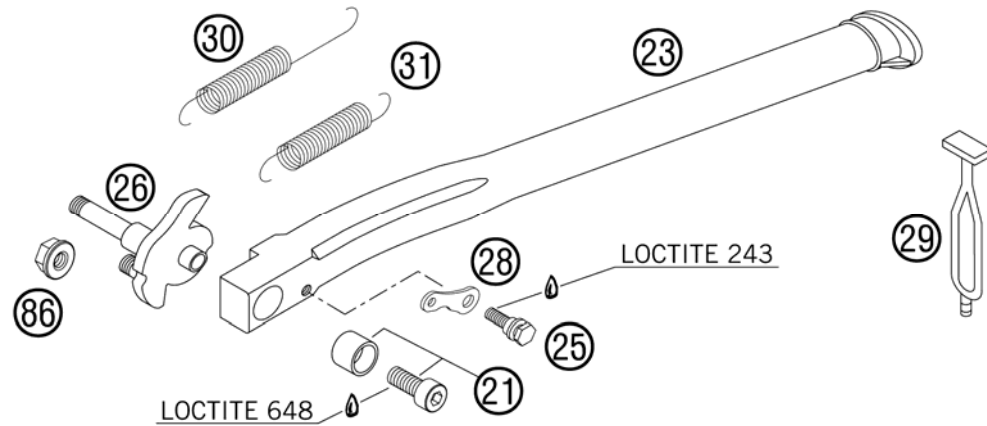


FIG	PART NUMBER	DESCRIPTION	QTY
21	50303023270	BUSHING WITH SCREW EXC EU	1
23	50303023000	SIDE STAND L=377MM '98	1
25	50303023152	BOLT SIDE ST.SPRING M5 EGS'98	1
26	50303026100	SIDE STAND BRACKET CPL. 2002	1
28	50303023054	BRACKET FOR SPRING EGS '98	1
29	50303018000	RUBBER L=145MM	1
30	50303024000	SIDESTAND SPRING 125-380EXC'98	1
31	10003021000	STAND SPRING SHORT	1
86	54310086200	SELF LOCKING NUT M8 10.9	1

065230302 / C065230302

\* NEW PART

X AS REQUIRED

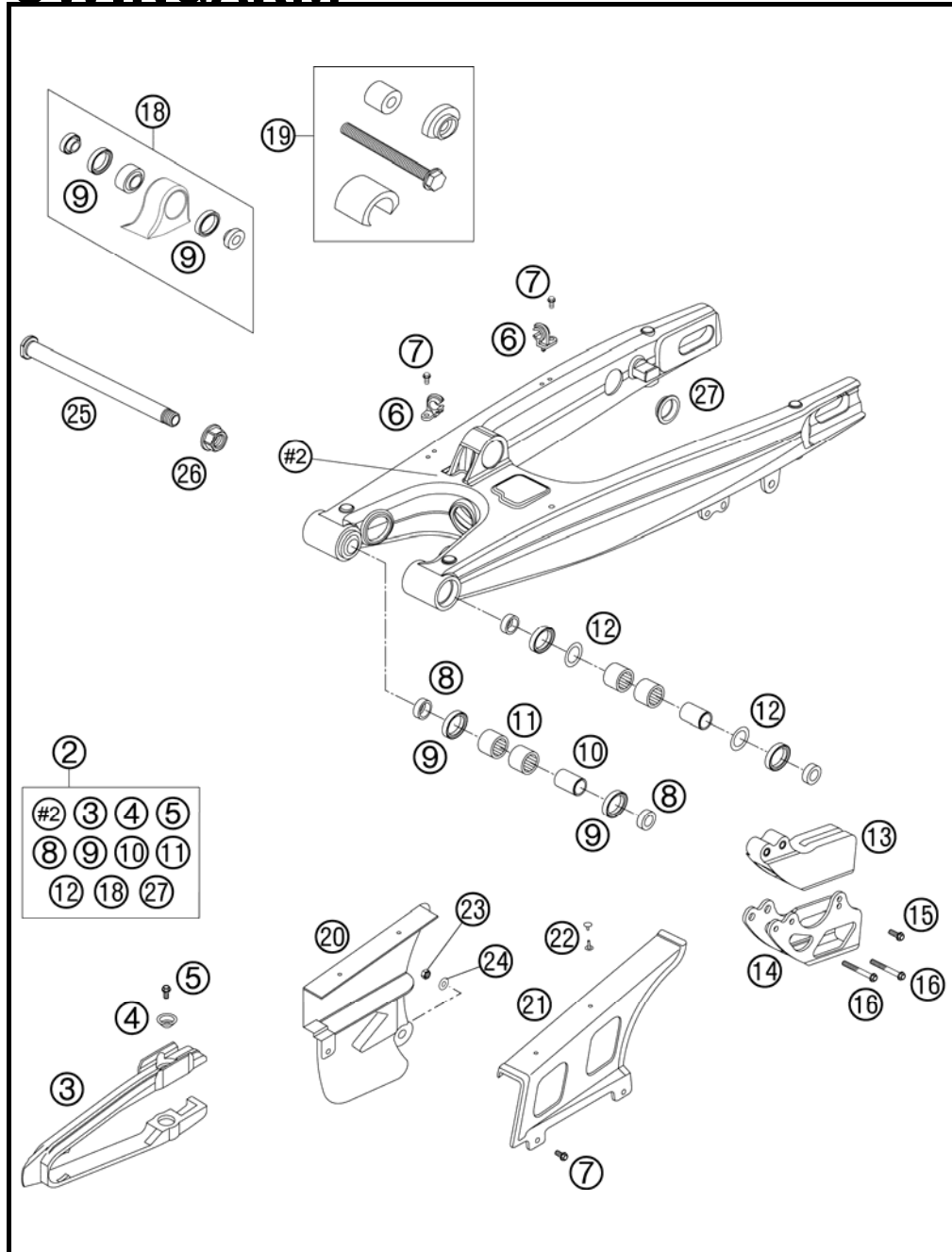


FIG	PART NUMBER	DESCRIPTION	QTY
2	54804230244	SWINGARM CPL. 2005	1
3	50304066100	CHAIN GUARD 05	1
4	72210079000	BUCKET	2
5	0015060103	HH COLLAR SCREW M 6X10 WS=8	2
6	54611076100	RETAIN.CLAMP FOR BRAKE HOSE'96	2
7	0009050103	SPECIAL SCREW M 5,0X10	x
8	54804034000	BUCKET F. SHAFT SEAL RING 03	4
9	0760253270	SHAFT SEAL RING 25X32X7	6
10	54804032000	BUSHING SLEEVE F. SWING ARM 03	2
11	58033097000	NEEDLE BEARING HK 2216	4
12	54603036000	STOP DISK 22,2X31,7X1	2
13	54607066100	CHAIN GUIDE REAR '94	1
14	54607070144	RETAINING PLATE CPL.	1
15	0015060163	HH COLLAR SCREW M 6X16 WS=8	1
16	0015060503	HH COLLAR SCREW M 6X50 WS=8	2
18	50304090044	PIVOT BEARING+BUSHES PDS '99	1
19	50329000044	TOOL BEARING MOUNTING PDS	1
20	50304060100	CHAIN GUARD SMALL EXC 2000	1
21	54607460000	CHAIN GUARD LARGE EGS	1
22	20012062055	HOLLOW RIVET TWO PARTS	2
23	0985060003	SELF LOCK. NUT DIN0985-M 6	1
24	0021060003	WASHER DIN9021-A 6,4	1
25	54804037000	SWINGARM BOLT M16X1,5 03	1
26	54804038000	SELF LOCK.NUT M16X1,5 WS=19 03	1
27	58404041100	CLOSING COVER ROUND 03	5

065230400 / C065230400

\* NEW PART

X AS REQUIRED



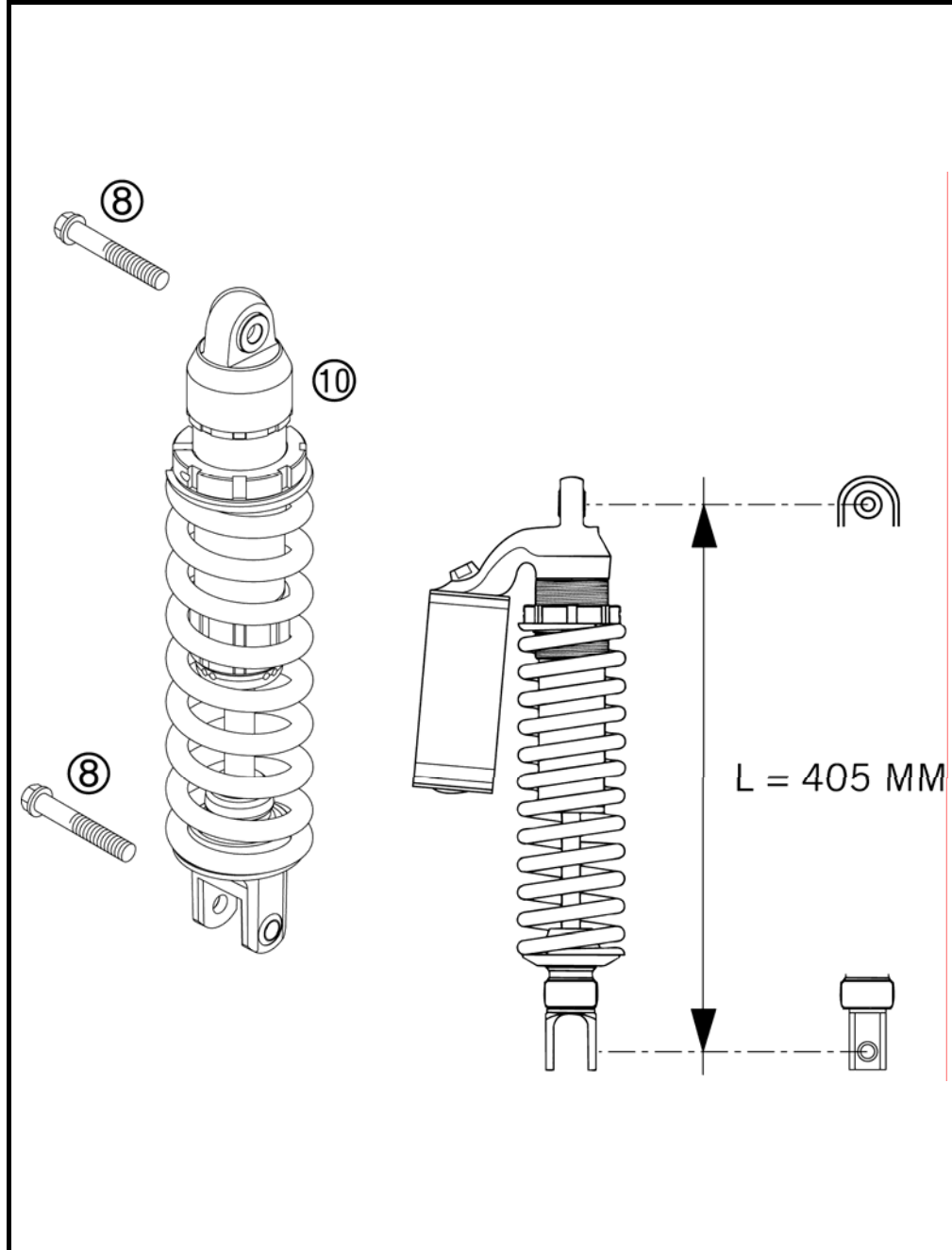


FIG	PART NUMBER	DESCRIPTION	QTY
8*	0015120556S	HH COLLAR M12X55 WS=13 06	2
10*	12187B02	MONOSHOCK WP125/200EXC 06	1

05503040 / C065230403

\* NEW PART

X AS REQUIRED

# MONOSHOCK DISASSEMBLED

200 EXC EU 2006

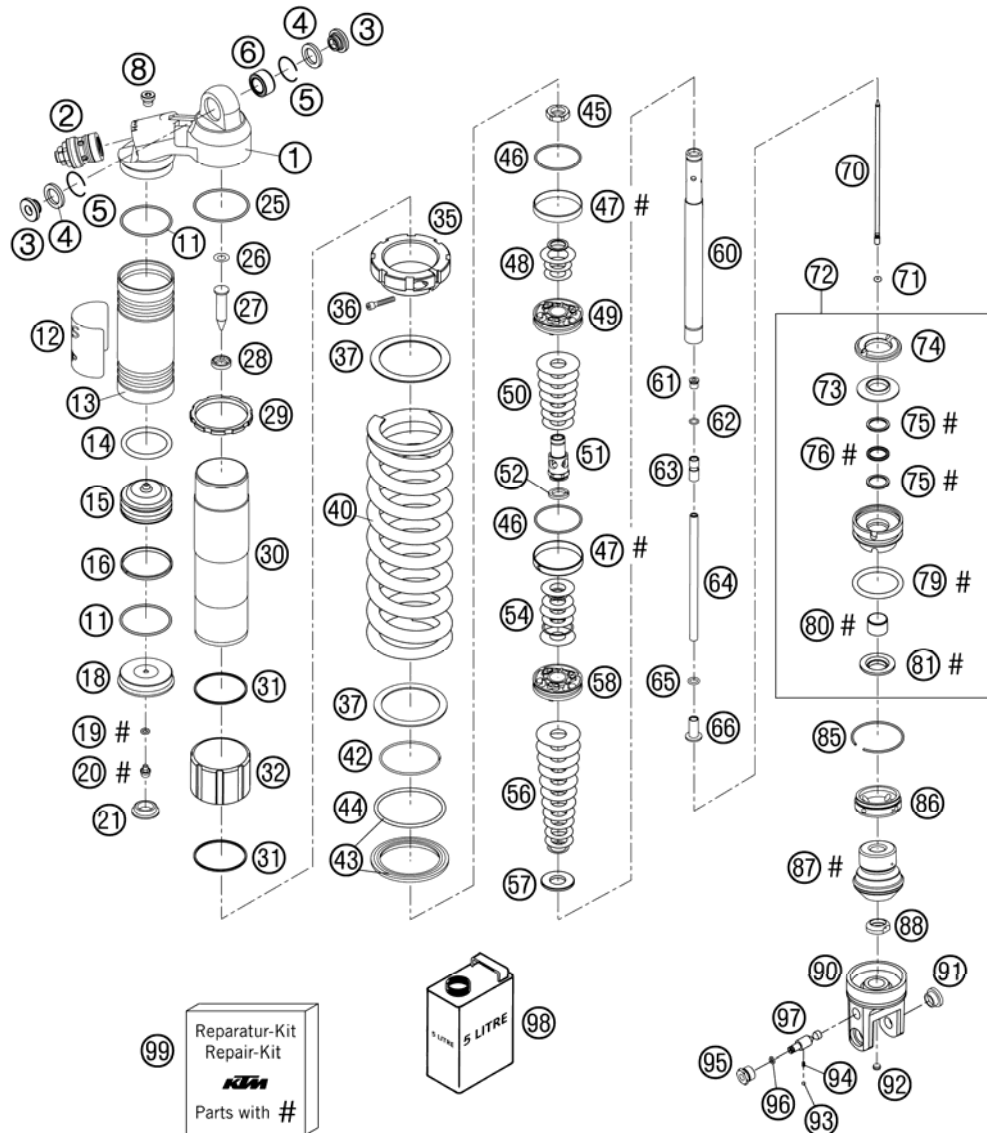


FIG	PART NUMBER	DESCRIPTION	QTY
1	50180429	MONOSHOCK TOP H=30,5 M54X1	1
2	50180301S3	MCC-COMPR.DAMP.CONTROL CPL. 04	1
3	46180007	ADAPTOR BUSH KGW 12X24	2
4	46180003	OIL SEAL KGW D=25	2
5	50180168	WASHER KGW D=25	2
6	50180005	BUSHING KGW 1525 HD	1
8	50180095	BLEED PLUG R 1/8	1
11	46810016	O-RING NBR 48X2	2
12	52000041	WP CAUTION (PDS KTM) 58X83	1
13*	50180479	RESERV. SCREW L=120 D=52 BLACK	1
14	46180014	O-RING VITON 41X5	1
15	46180002	SEPARATION PISTON D=52, H=32	1
16	46180015	PISTON RING 3,9X1,5X156	1
18	50180344	RESERVOIR CAP D=58	1
19	46810893	O-RING NBR 5,28X1,78	1
20	36120151	SCREW PLUG M5X6	1
21	46811208	RUBBER CAP "DO NOT OPEN"	1
25	50180097	O-RING 52X2	1
26	50180177	WASHER 16X8,2X0,6	1
27*	50180488	NEEDLE D=11,4 D=6, L=57	1
28	50180437	SCREW CAP M20X1 D=11,5 H=5	1
29	50180270	LOCK WASHER	1
30	50180430	TUBE PDS L=198	1
31	50180133	CIRCLIP 50X1,5	2
32	50180081	SPRING GUIDANCE L=40	1
35	50180433	SPRING RETAINER M56X1	1
36	0912050303	AH SCREW DIN0912-M 5X30	1
37	50180114	INTERM.RING SCREW SPRING RET.	2
40*	91210046	SPRING250 72N/MM D12,5 (62)ORA	1
42	50180273	CIRCLIP 58,2X2	1
43*	50180463S	SPRING RET. D=80 W. O-RING 05	1
44	50180352	O-RING VITON 66,27X3,53	1
45	50180141	PISTON ROD NUT M16X1	1
46	50180099	O-RING VITON 44,17X1,78	2
47	50180135	PISTON RING 50-8	2
48	50180034	BACKPLATE 16X20X0,30	1

065230405 / C065230405

\* NEW PART

X AS REQUIRED



# MONOSHOCK DISASSEMBLED

200 EXC EU 2006

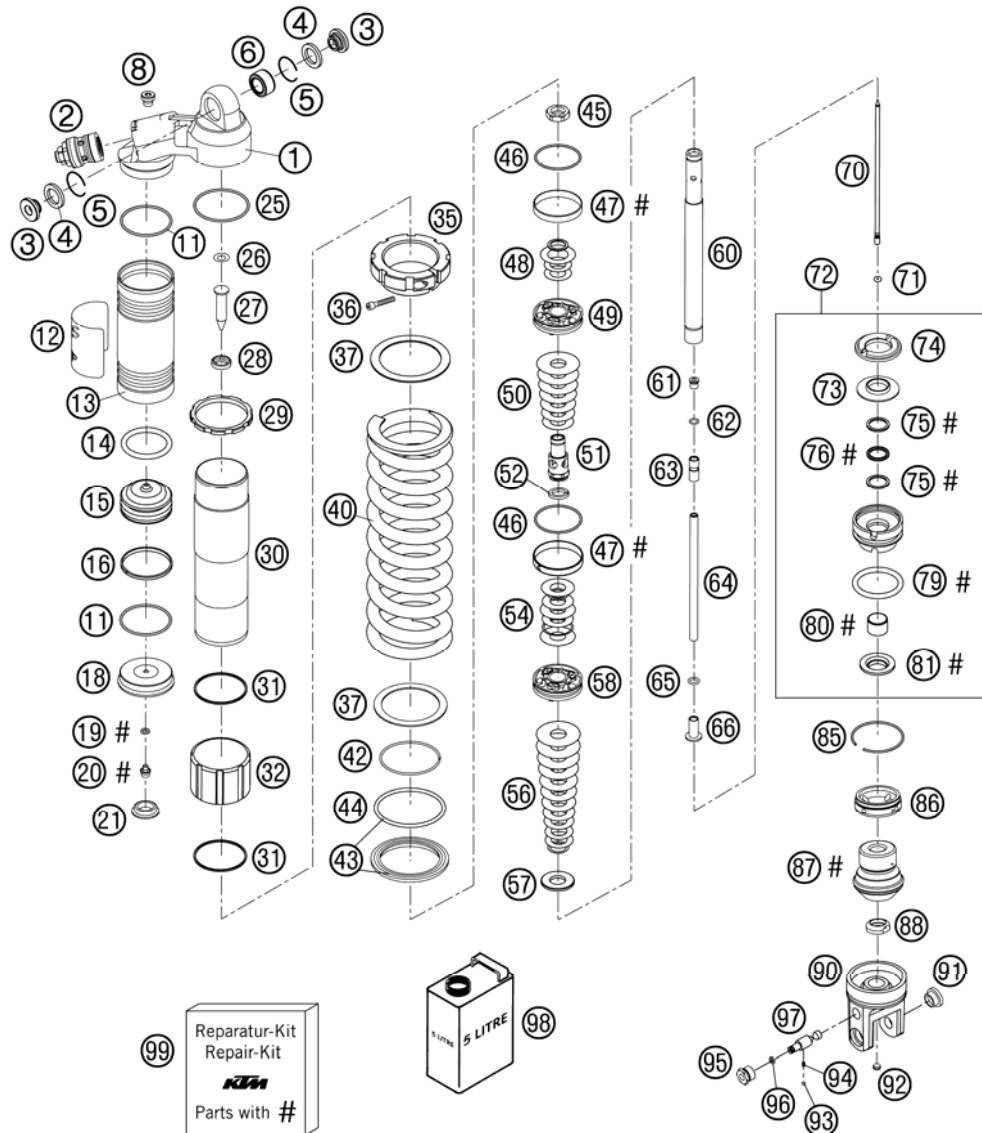


FIG	PART NUMBER	DESCRIPTION	QTY
48	50180055	SHIM 16X30X0,20	1
48	50180056	SHIM 16X32X0,20	1
48	50180057	SHIM 16X34X0,20	1
48	50180058	SHIM 16X36X0,20	1
48	50180210	WASHER 16X21X1	1
49	50180446	PISTON 6+6X3,5/4,5	1
50	50180035	BACKPLATE 16X21X0,30	x
50	50180036	BACKPLATE 16X22X0,30	x
50	50180037	SHIM 16X23X0,30	x
50	50180069	SHIM 16X40X0,25	x
50	50180073	SHIM 16X30X0,30	x
50	50180074	SHIM 16X32X0,30	x
50	50180075	SHIM 16X34X0,30	x
50	50180076	SHIM 16X36X0,30	x
50	50180077	SHIM 16X38X0,30	x
50	50180078	SHIM 16X40X0,30	x
51*	50180485	HOLDER D=16 M16X1 L=48	1
52*	50180499	BACKPLATE D=23 D=16 H3	1
54	50180034	BACKPLATE 16X20X0,30	x
54	50180045	SHIM 16X28X0,15	x
54	50180054	SHIM 16X28X0,20	x
54	50180055	SHIM 16X30X0,20	x
54	50180056	SHIM 16X32X0,20	x
54	50180057	SHIM 16X34X0,20	x
54	50180067	SHIM 16X36X0,25	x
56	50180034	BACKPLATE 16X20X0,30	x
56	50180057	SHIM 16X34X0,20	x
56	50180058	SHIM 16X36X0,20	x
56	50180059	SHIM 16X38X0,20	x
56	50180060	SHIM 16X40X0,20	x
56	50180061	SHIM 16X42X0,20	x
56	50180062	SHIM 16X44X0,20	x
56	50180063	SHIM 16X28X0,25	x
56	50180064	SHIM 16X30X0,25	x
56	50180065	SHIM 16X32X0,25	x
56	50180066	SHIM 16X34X0,25	x

065230405 / C065230405

\* NEW PART

X AS REQUIRED



# MONOSHOCK DISASSEMBLED

200 EXC EU 2006

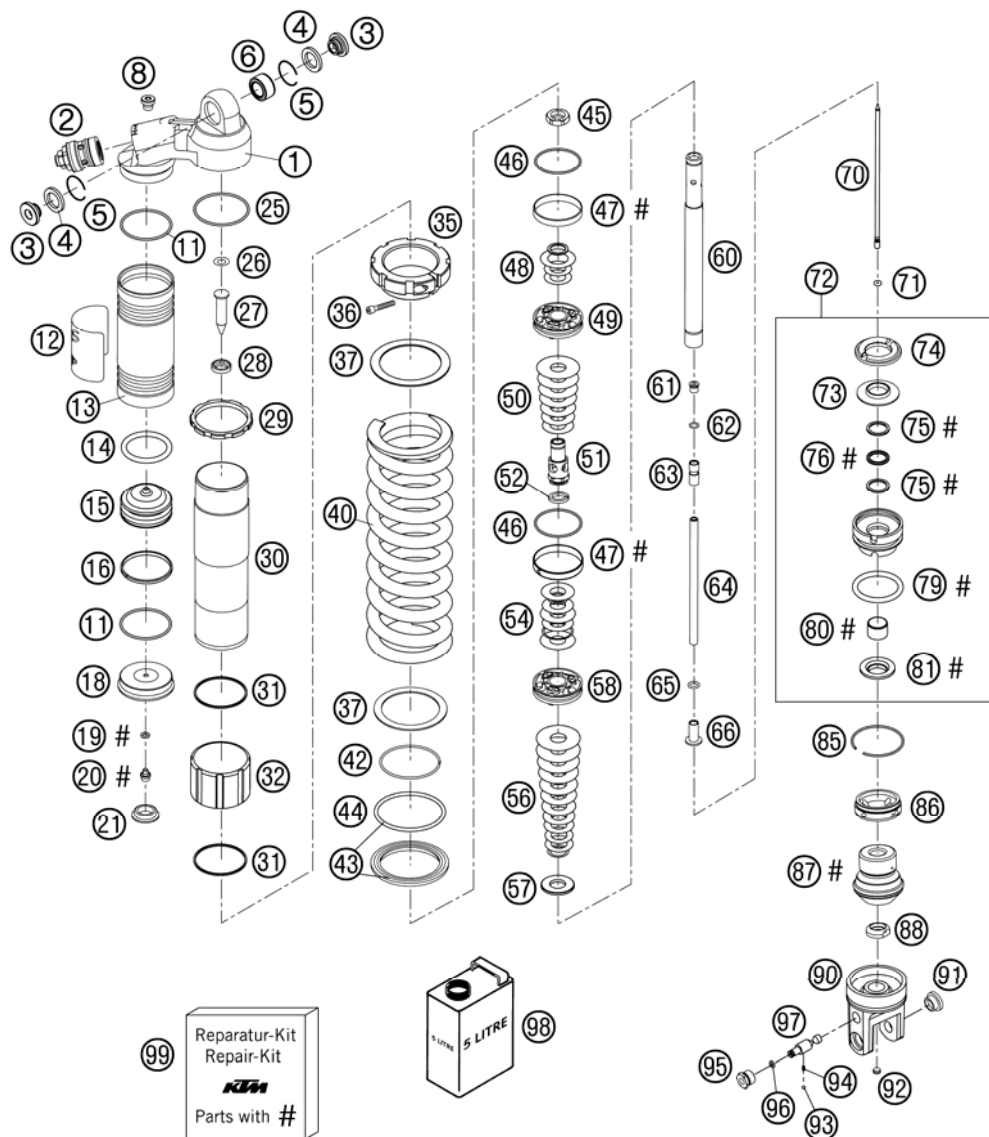


FIG	PART NUMBER	DESCRIPTION	QTY
56	50180048	SHIM 16X34X0,15	x
56	50180067	SHIM 16X36X0,25	x
56	50180071	SHIM 16X44X0,25	x
57	50180196	REBOUND DISC D=34, H=8	1
58*	50180311	PISTON 6+6X7/4,5 VB 1,0	1
60*	50180486	PISTON ROD D=18 L=146 M16X1	1
61	50180200	BUSH M8X1	1
62	50180157	O-RING VITON 7X1,5	1
63	50180439	NEEDLE SEAT M8X1 D=5,5	05
64*	50180489	TUBE M8X1 L=145,4	1
65	48600049	O-RING NBR 8X2	1
66	50180279	TUBE ADAPTOR M8X1 L=23	1
70*	50180490	NEEDLE L=169	1
71	46811265	O-RING VITON 2,2X1,6	1
72	50180435S	ADAPTOR CPL. D=50 H=29	1
73	50180113	STEEL DISC 18X,5X43,7X6	1
74	50180107	REBOUND RUBBER	1
75	50180102	BACKUPRING 22,55X1,5	2
76	50180101	QUAD RING 18X2,62	1
79	50180103	O-RING 41X5	1
80	46180119	DU-BUSH 18X20X12	1
81	50180082	DUST SEAL 1835	1
85	50180126	CIRCLIP 53X1,75	1
86*	50180487	COVER D=50	1
87*	50180480	BUMP RUBBER SXS 2005	1
88*	50180481	NUT M18X1	1
90*	50180484	FORK PART L=55,5 B=32,5 D=12	1
91	50180105	THREADED BUSH M12 PDS	1
92	50180297	RUBBER PLUG D=8	1
93	40540603	STEEL BALL D=3MM	2
94	48600028	SPRING D=2,9 L=7,9	1
95	50180281	RESERVOIR CAP M14X1	1
96	50180222	O-RING NBR 4X1,5	1
97	50180434	ADJUSTING SCREW 80 DEG. L=39	1
98*	50180466S1	SHOCK ABSORBER FLUID 5 LT 05 0,33 LITRE	1

065230405 / C065230405

\* NEW PART

X AS REQUIRED

# MONOSHOCK DISASSEMBLED

200 EXC EU 2006

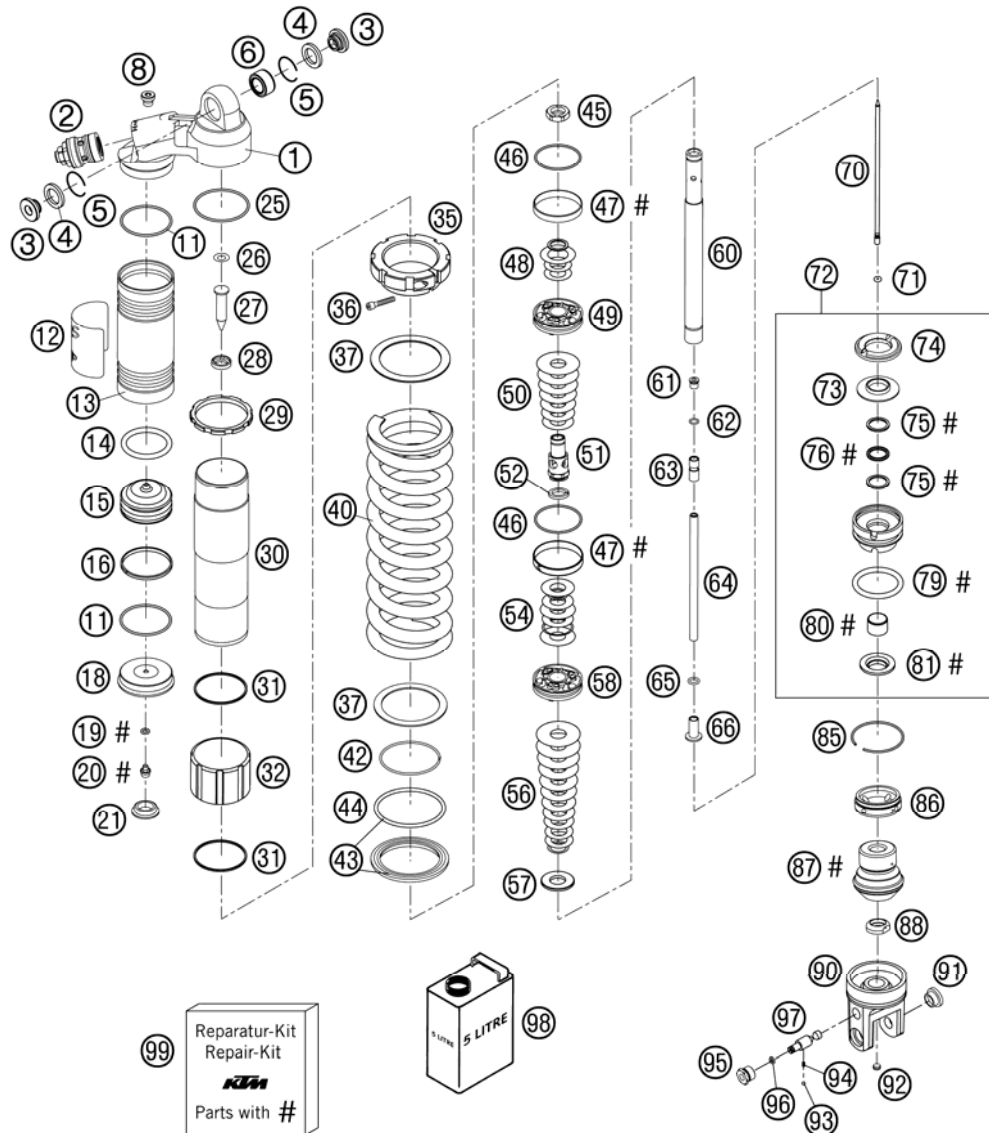


FIG	PART NUMBER	DESCRIPTION	QTY
99*	R12011	REPAIR KIT GASKET 5018 PDS 06	1

065230405 / C065230405

\* NEW PART

X AS REQUIRED

# EXHAUST PIPE

200 EXC EU 2006

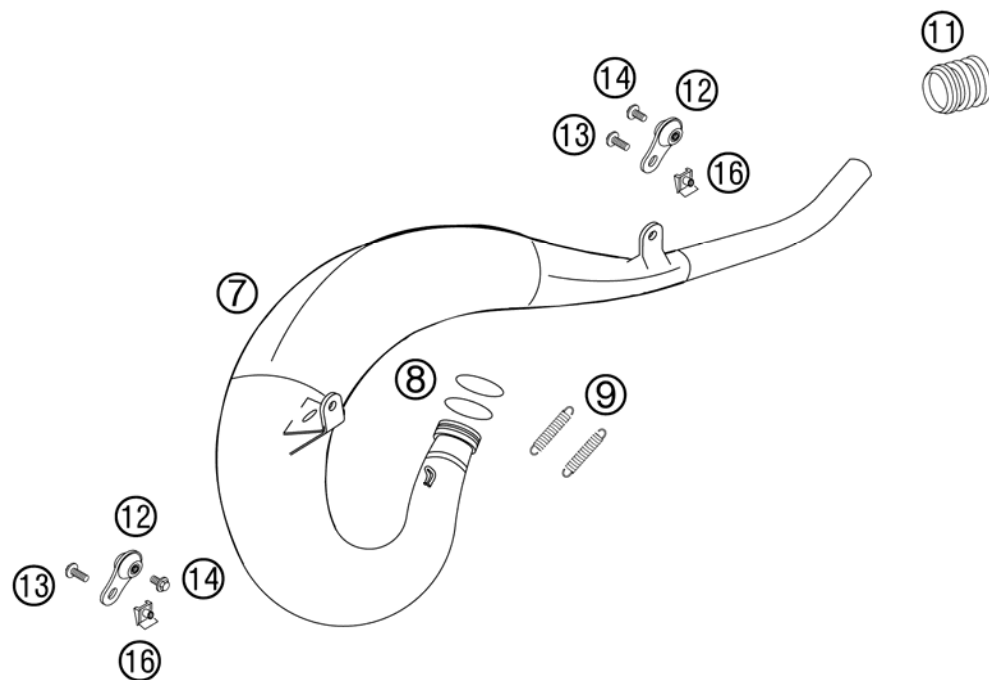


FIG	PART NUMBER	DESCRIPTION	QTY
7*	52305009200	EXHAUST PIPE CPL. W. KAT 06	1
8	0770440030	O-RING 44,00X3,00 VITON	2
9	50305016000	TEN.SPRING L=62MM EY.MOVEABLE	2
11	54605157000	SILICON SLEEVE D=25/27MM	1
12	50305012000	SWINGELEMENT FOR EXHAUST PIPE	2
13	0014060153	HH COLLAR SCREW M 6X15 WS=8	2
14	0014060103	HH COLLAR SCREW M 6X10 WS=8	2
16	54603048100	RANGE CHANGE METAL NUT M6	2

065230500 / C065230500

\* NEW PART

X AS REQUIRED

# EXHAUST SILENCER

200 EXC EU 2006

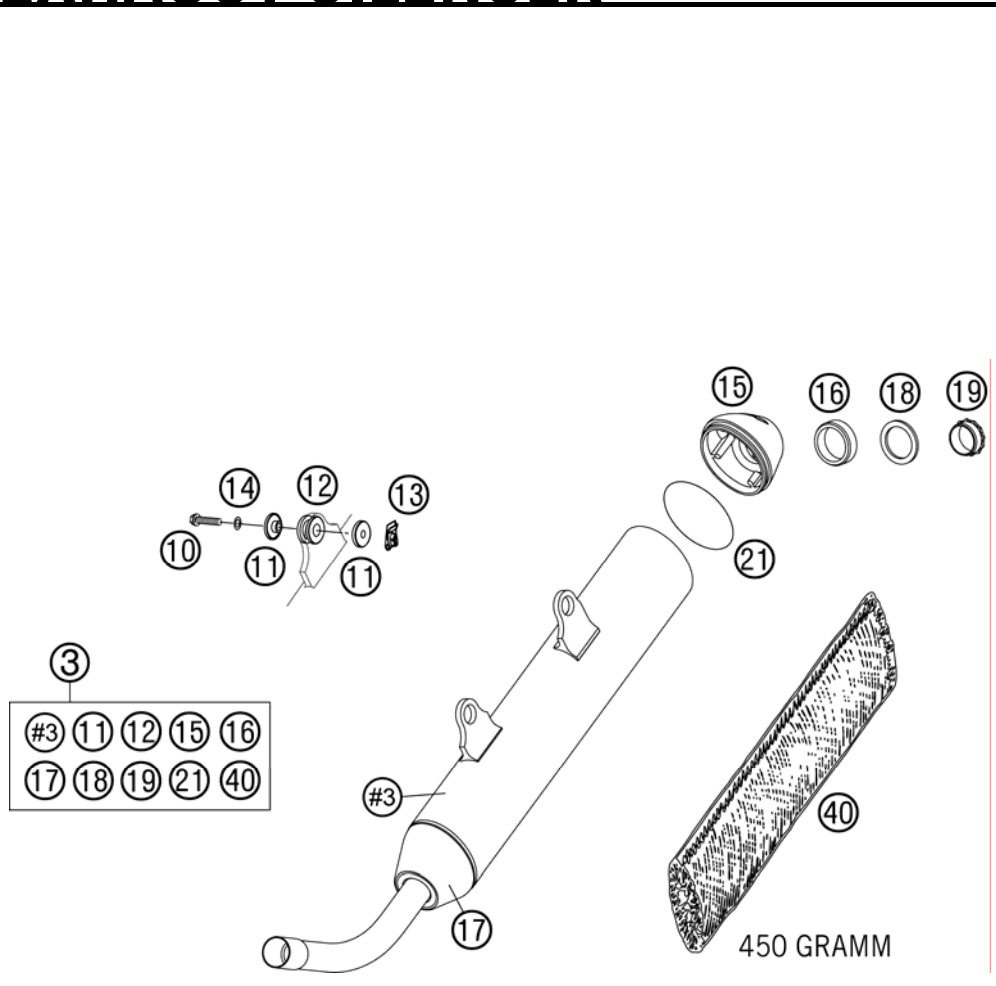


FIG	PART NUMBER	DESCRIPTION	QTY
3*	54805083100	EXH. SILENCER CPL. EXC 06	1
10	0015060303	HH COLLAR SCREW M 6X30 WS=8	2
11	54605069000	BUSHING 7,5X12X28X7,8 '96	4
12	54605068000	EXHAUST BRACKET RUBBER BLACK	2
13	54603048100	RANGE CHANGE METAL NUT M6	2
14	0137060003	SPRING WASHER DIN0137-B 6	2
15	54805079052	SILENCER ENDCAP 2-STROKE 2004	1
16	54805079150	SILENCER RUBBER 2-STROKE 2005	2
17	54805079060	SILENCER CONNECTING-CAP 2004	1
18	54805083060	SILENCER DISC 2004	1
19	54805079058	SILENCER SCREW 2-STROKE 2004	1
21	0770055020	O-RING 55,00X2,00 NBR70	2
40	54805078450	STUFFING YARN-SET 450 GRAM 04	1

065230503 / C065230503

\* NEW PART

X AS REQUIRED

# AIR FILTER BOX

200 EXC EU 2006

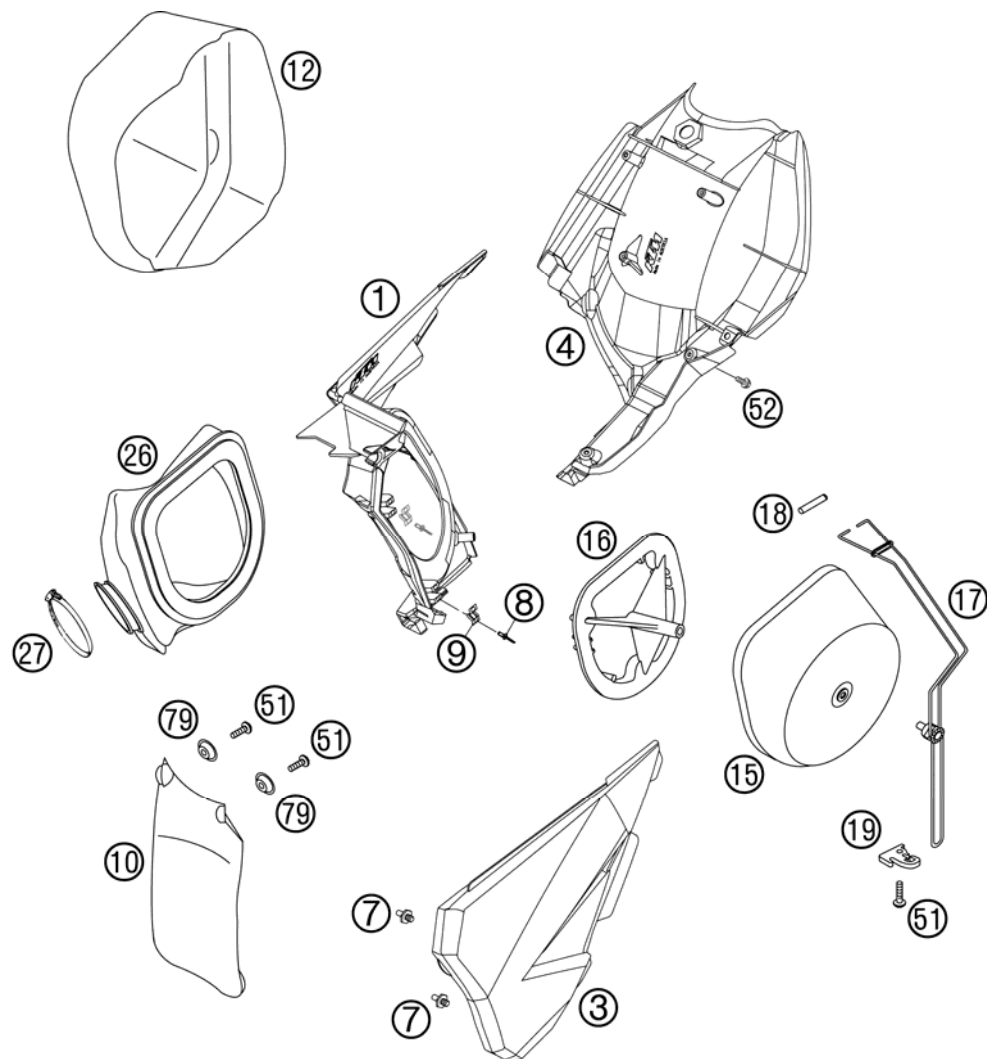


FIG	PART NUMBER	DESCRIPTION	QTY
1	54806001051	FILTER WALL 03	1
3	54806003000	FILTER BOX COVER 03	1
4	54806001052	REAR PART FILTER BOX 03	1
7	54806008051	QUICK RELEASE-NIPPLE 03	2
8*	54806108052	BLIND RIVET 3,3X9,7 GROOVED 04	4
9	54806008050	QUICK RELEASE-SPRING HANGER	2
10	50306010000	FENDER FOR FILTER BOX '98	1
12	50306012000	THROTTLE CAP 125-380EGS CPL.98	x
15	59006015000	AIR FILTER RACING 2001	1
16	54806016000	FILTER CARRIER 2-STROKE 04	1
17	50306017000	FILTER SUPPORT CPL.2-STROKE'98	1
18	50306018000	FILTER SUPPORT BUSH 125-380'98	1
19	50306019000	FASTEN. DEVICE FILTER SUPPORT	1
26	54706026000	CARBU.CONNECT.BOOT 125-380 '98	1
27	51006027000	HOSE CLAMP 50-70MM	1
51	0017060203	EJOT PT SCREW K60X20 WS=6	3
52	0009050103	SPECIAL SCREW M 5,0X10	1
79	72210079000	BUCKET	2

04503060 / C065230600

\* NEW PART

X AS REQUIRED

# TANK, SEAT, COVER

200 EXC EU 2006

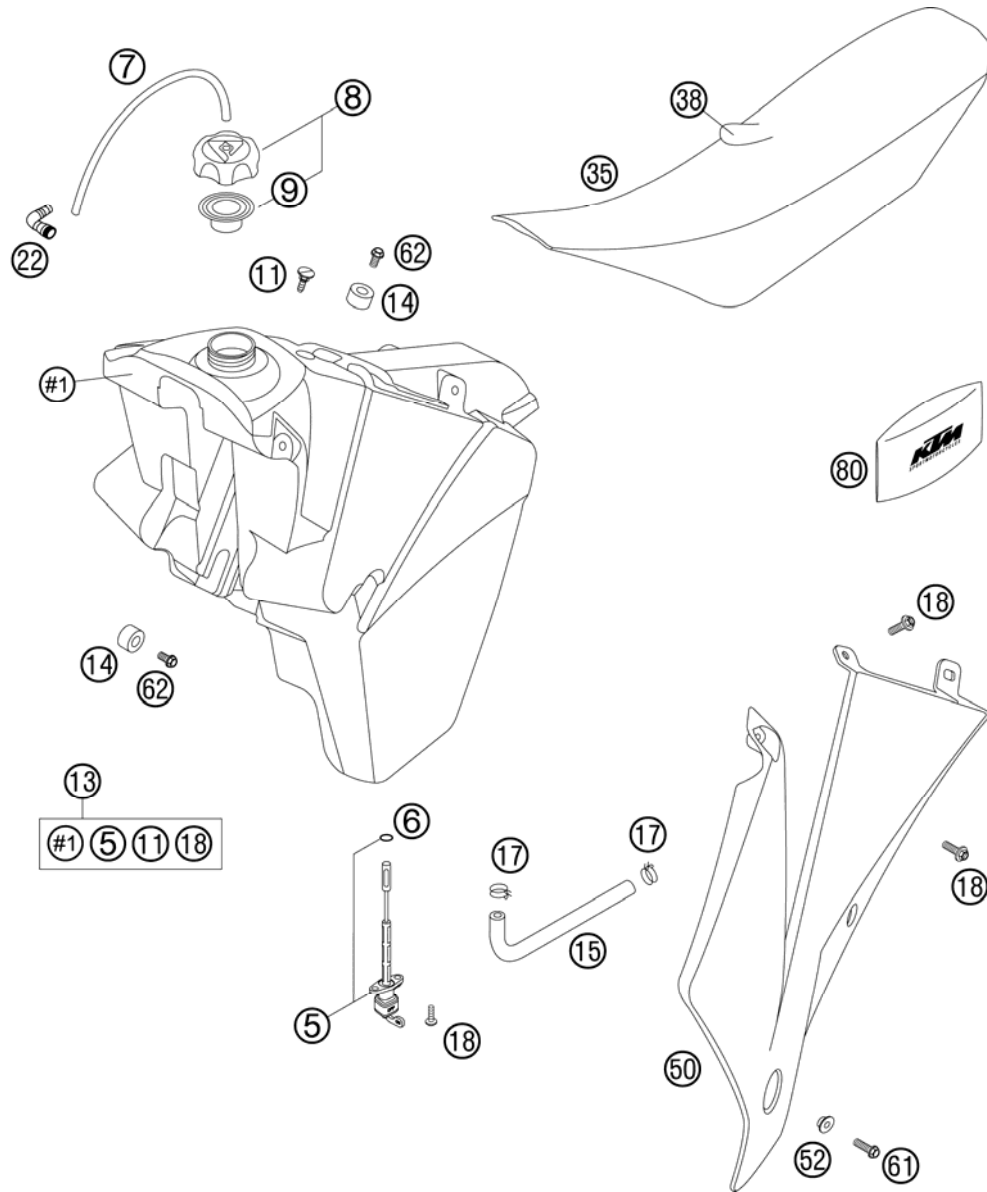


FIG	PART NUMBER	DESCRIPTION	QTY
5	54807004000	GAS COCK ON/OFF/RES 03	1
6	0770110021	O-RING 11X2 VITON	1
7	31007107001	PVC-HOSE 6X9 MM PER METER	x
8	59007008044	FILLER CAP CPL. WITH VALVE	1
9	59007009000	GASKET FOR FILLER CAP HIGH	1
11	50307011000	SCREW SEAT FASTENING D=6X23/18	1
13	5030711320044	FUEL TANK CPL. 9L 03	1
14	50307014000	TANK ROLLER 12X26X12 '98	3
15	50307016000	FUEL PREFORMED HOSE SX 2001	1
17	58031005000	CLAMP YDNAC 10128 12MM	2
18	0017060203	EJOT PT SCREW K60X20 WS=6	10
22	51030022000	ANGLE PIECE 90 DEGREE M10X1	1
35	54807040400	SEAT BLACK WITHOUT KTM-LOGO 05	1
38	54807040450	SEAT COV.BLACK WITHOUT LOGO 05	1
50	5480805000004	SPOILER L/S ORANGE 05	1
50	5480805100004	SPOILER R/S ORANGE 05	1
52	50308052000	BUSH FOR SPOILER 6X11X16X5 MM	2
61	0015060203	HH COLLAR SCREW M 6X20 WS=8	4
62	0015060123	HH COLLAR SCREW M 6X12 WS=8	3
80	50212100100	ORIGINAL EQUIPMENT TOOL KIT	1

065230700 / C065230700

\* NEW PART

X AS REQUIRED

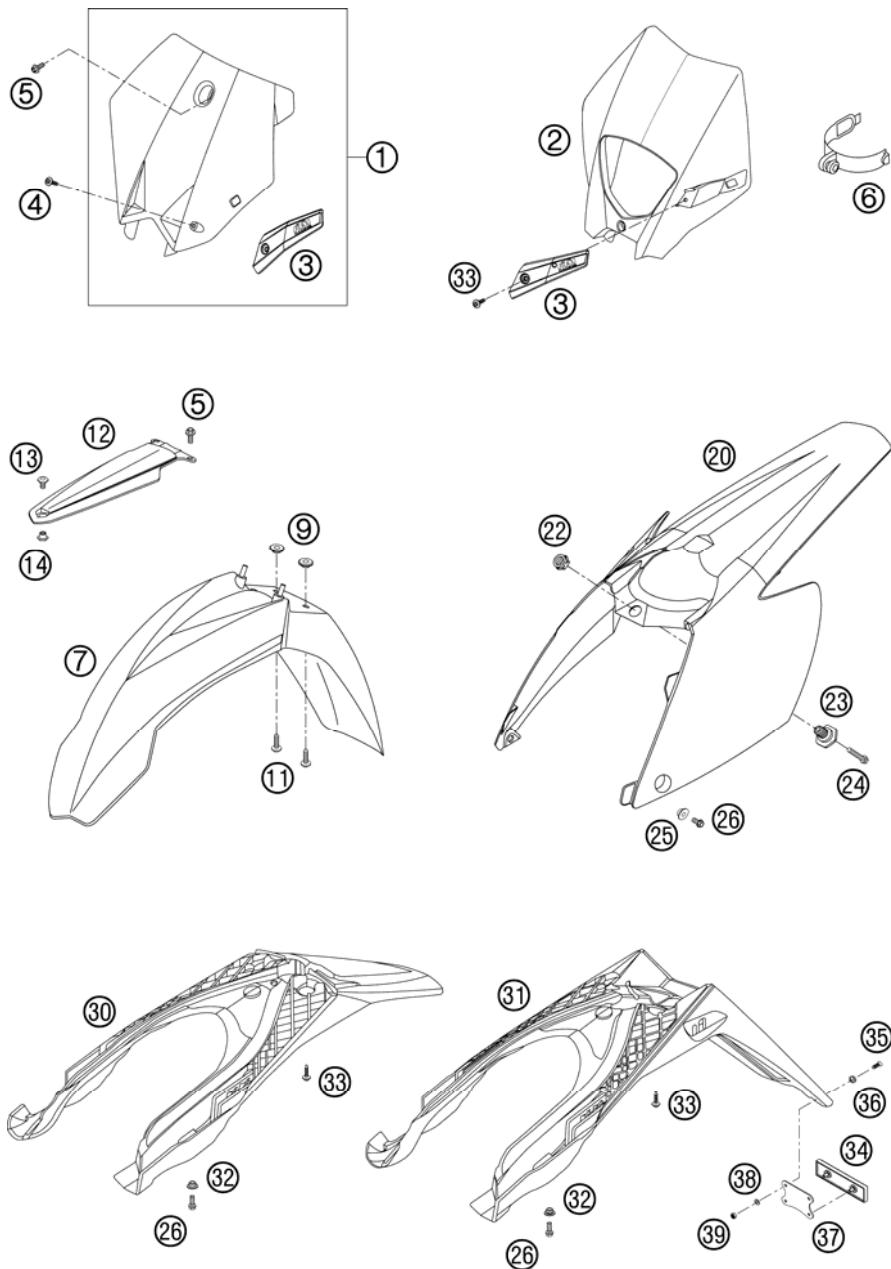


FIG	PART NUMBER	DESCRIPTION	QTY
1	5480800701004	NUMBER PLATE CPL. ORANGE 03	1
2	5480800100004	HEAD LIGHT MASK ORANGE 2005	1
3	54808019000	BRAKE HOSE GUIDE BLACK 03	1
4	0017060204	EJOT PT SCREW K60X20 ALU WS=6	1
5	0014060153	HH COLLAR SCREW M 6X15 WS=8	3
6	50211086000	MASK RUBBER UFO WP '95	2
7	5030801030004	FENDER FRONT WIDE ORANGE 03	1
9	54808020000	SPACER BUSHING 03	4
11	0014060203	HH COLLAR SCREW M 6X20 WS=8	4
12	50308009100	FENDER BRACE BLACK '99	1
13	50308009050	SCREW FEND.BRACE M8X9 WS=17	1
14	50308009051	NUT FENDER BRACE M8 WS=17	1
20	5480801310004	REAR PART EXC ORANGE 04	1
22	50314057050	COLLAR NUT M12X1/WS17 H=5MM	1
23	54807048000	BUSHING FOR SEAT FASTENING 03	1
24	0015060253	HH COLLAR SCREW M 6X25 WS=8	1
25	50308052000	BUSH FOR SPOILER 6X11X16X5 MM	2
26	0015060163	HH COLLAR SCREW M 6X16 WS=8	4
30	54808015000	NUMBER PLATE CARRIER SHORT 04	1
31	54808015100	NUMBER PLATE CARRIER LONG 04	1
32	50308052100	BUSH FOR FENDER 6X11X20X5 MM	2
33	0017060203	EJOT PT SCREW K60X20 WS=6	3
34	58412080000	REFLECTOR RED LC4 '98	1
35	0966050163	OVAL HEAD SCREW DIN0966-M 5X16	2
36	40006006000	WASHER 6MM	2
37	58412080050	BRACKET FOR REFLECTOR	1
38	0125050003	WASHER DIN0125-A 5,3	2
39	0985050003	SELF LOCKING NUT DIN0985-M 5	2

065230800 / C065230800

\* NEW PART

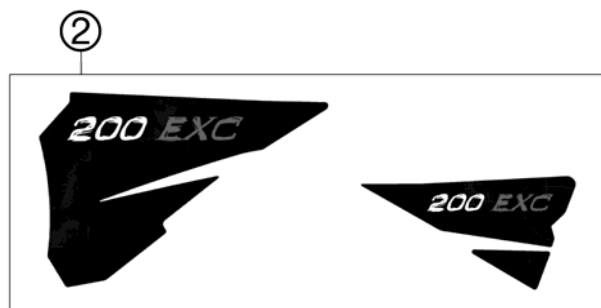
X AS REQUIRED



FIG	PART NUMBER	DESCRIPTION	QTY
1*	52308290000	SPOILER DECAL EXC 2006	1
2*	52308191900	DISPLACEME. STICKER 200 EXC 06	1



①



②

065230804 / C065230804

\* NEW PART

X AS REQUIRED

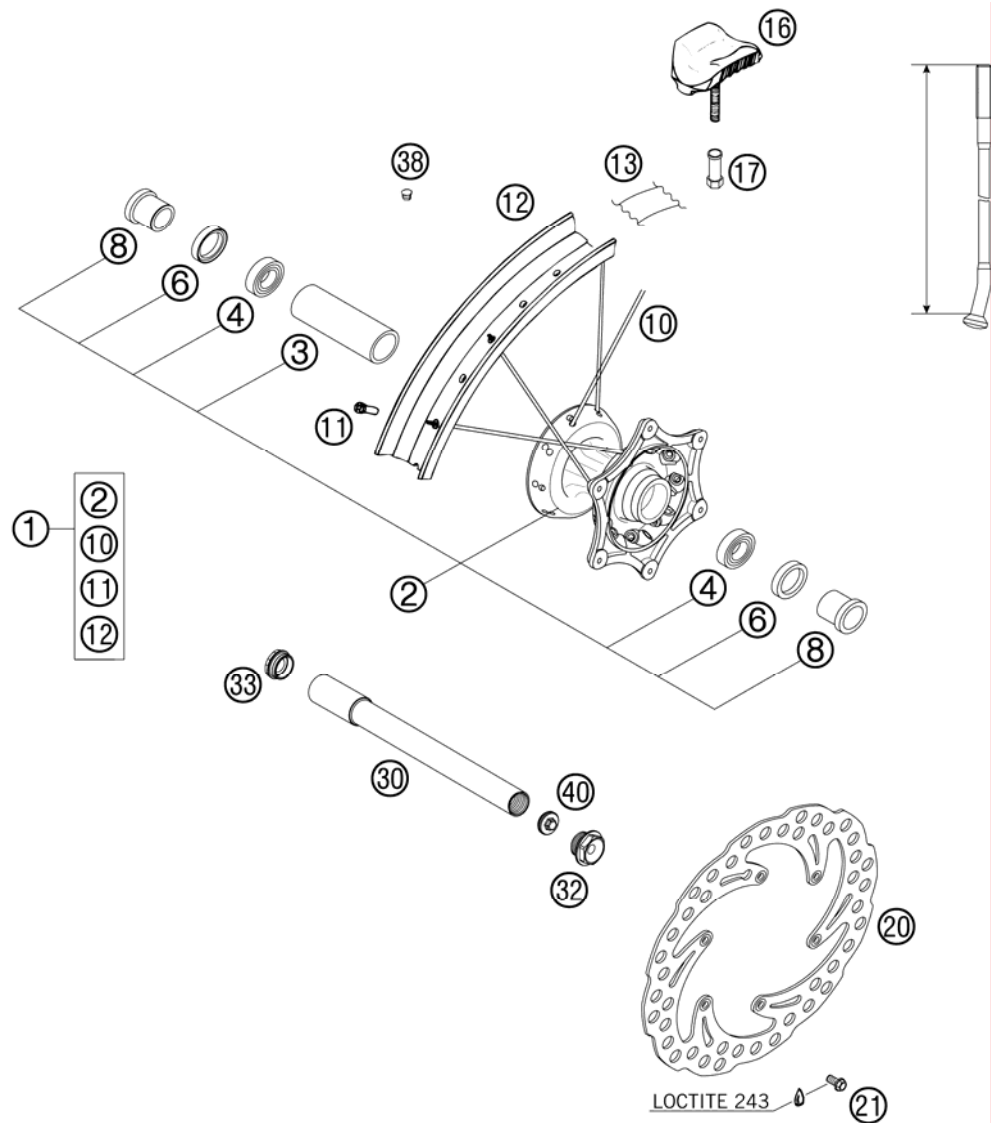


FIG	PART NUMBER	DESCRIPTION	QTY
1*	54809001544	FRONT WHEEL 1,6X21" EXCEL 06	1
2*	5480901004491	FRONT HUB CPL. SX SILVER 03	1
3	54809011000	BEA.SPACERTUBE 35X2 L=79,4 03	1
4	0625069068	GR.BALL BEAR.6906 DDU2CG23S6NM	2
6	0760354771	SHAFT SEAL RING 35X47X7 TC	2
8	54809012000	SPACER BUSHING F. FR. WHEEL 03	2
10	50309072228	SPOKE M4,5X228-15G 21" DDE	36
11	50309072000	SPOKE NIPPLE M4,5X0,75 8X21	36
12	54809070000	FRONT RIM 1,6X21" EXCEL AL7	1
13	50309073000	RIM BAND 21"	1
16	51009100100	RIM LOCK VM1 (1,60")	1
17	50310090050	NUT FOR WHEEL HOLDER '96	1
20	54809060100	BRAKE DISC FRONT D=260MM 03	1
21	59009062013	SPECIAL SCREW M6X13 WS=8 10.9	6
30	54809081000	WHEEL SPIN.FR. D=26 M24X1,5 03	1
32	54809082000	SPINDLE SCREW M24X1,5 WS=27 03	1
33	54809081050	PLUG BUSHING WS=27 03	1
38	55003135000	PLUG FOR RIM	x
40*	54809081070	AUXILIARY SCREW FRONT 06	1

065230900 / C065230900

\* NEW PART

X AS REQUIRED

# REAR WHEEL

200 EXC EU 2006

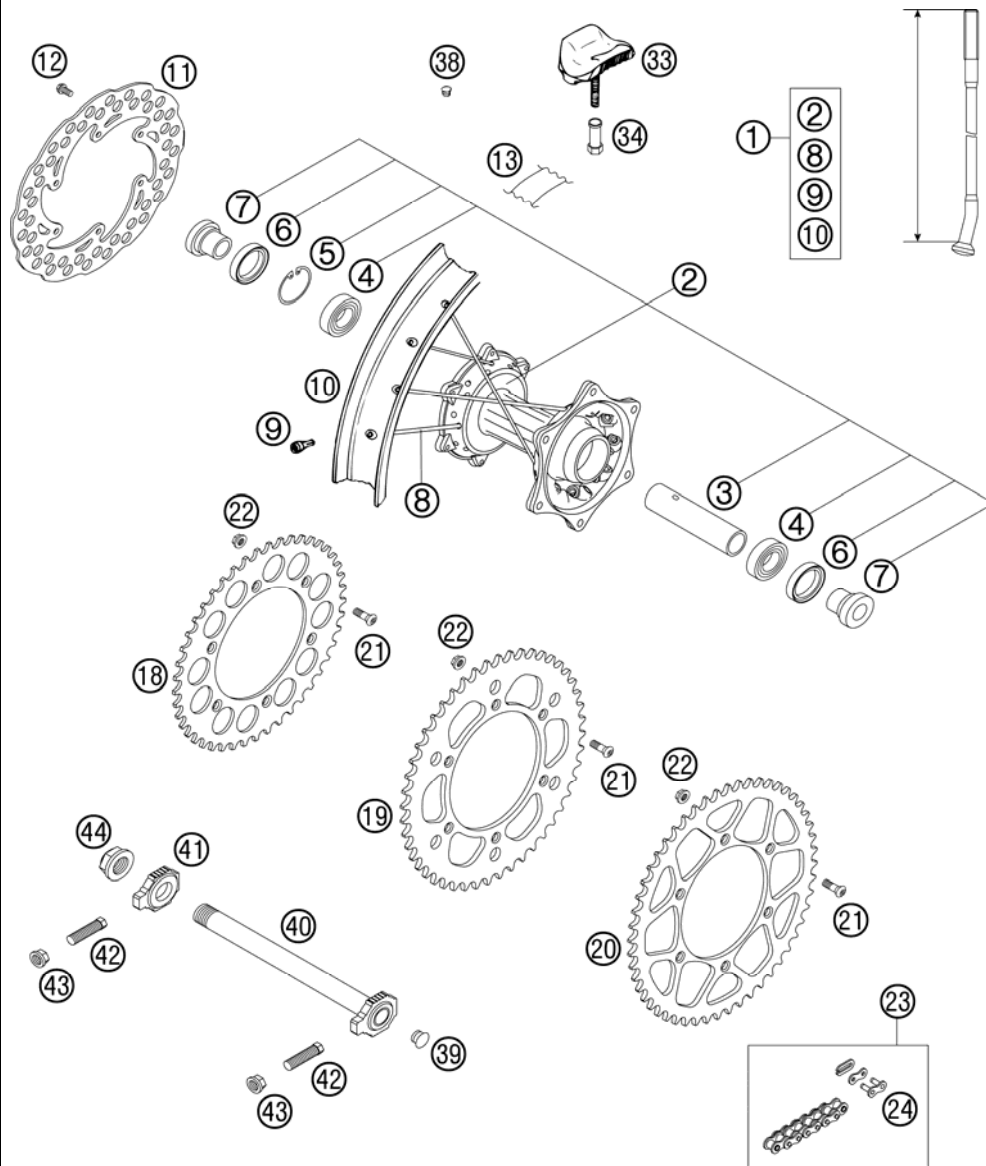


FIG	PART NUMBER	DESCRIPTION	QTY
1*	54810001544	REAR WHEEL 2,15X18" EXCEL 06	1
2*	5481001004491	REAR WHEEL HUB CPL. SX, EXC 03	1
3	59010011000	BUSHING SPACER TUBE 121,5MM 01	1
4	0625060058	GR.BALL BEAR.6005 DDU2CG23S6NM	2
5	0472047175	CIRCLIP DIN0472-47X1,75	1
6	0760324771	SHAFT SEAL RING 32X47X7 BSL	2
7	54610016000	BUSHING FOR HUB	2
8	50310072195	SPOKE M5X195-10G 18" DDE	36
9	58309072000	SPOKE NIPPLE M5-TA (8X21MM)	36
10	54810070000	REAR RIM 2,15X18" EXCEL AL7	1
11	54810060000	BRAKE DISC REAR D=220MM 03	1
12	59009062013	SPECIAL SCREW M6X13 WS=8 10.9	6
13	50310073200	RIM BAND 18" AND 19"	1
18	58310051038	REAR SPROCKET 38-T	x
18	58310051042	REAR SPROCKET 42-T	x
18	58310151040	REAR SPROCKET 40-T	x
18	58310151045	REAR SPROCKET 45-T	x
19	58310151048	REAR SPROCKET 48-T	x
19	58310151049	REAR SPROCKET 49-T	x
20	58310151050	REAR SPROCKET 50-T	x
20	58310151051	REAR SPROCKET 51-T	x
20	58310151052	REAR SPROCKET 52-T	x
21	54510052100	SPROCKET SCREW-AH M8X26 WS=6	6
22	54310086200	SELF LOCKING NUT M8 10.9	6
23	50310165118	CHAIN 5/8X1/4" + MASTER LINK	1
24	50310166000	CONNECTING LINK	1
33	54010100100	RIM LOCK VM3 (2.15")	2
34	50310090050	NUT FOR WHEEL HOLDER '96	2
38	55003135000	PLUG FOR RIM	x
39	50210086000	COVERING CAP SFL16	x
40	50310085044	WHEEL SPINDLE RE. CPL.265MM 00	1
41	50310084000	CHAIN TENSIONER R/S 2000	1
42*	50304040100	SCREW M10X1,25X50 WS=10	2
43	58414030000	HH COLLAR NUT M10X1,25 WS=13	2
44	50310099000	HEXAGON NUT M20X1,5 '98	1

05503100 / C065231000

\* NEW PART

X AS REQUIRED

# WIRING HARNESS

200 EXC EU 2006

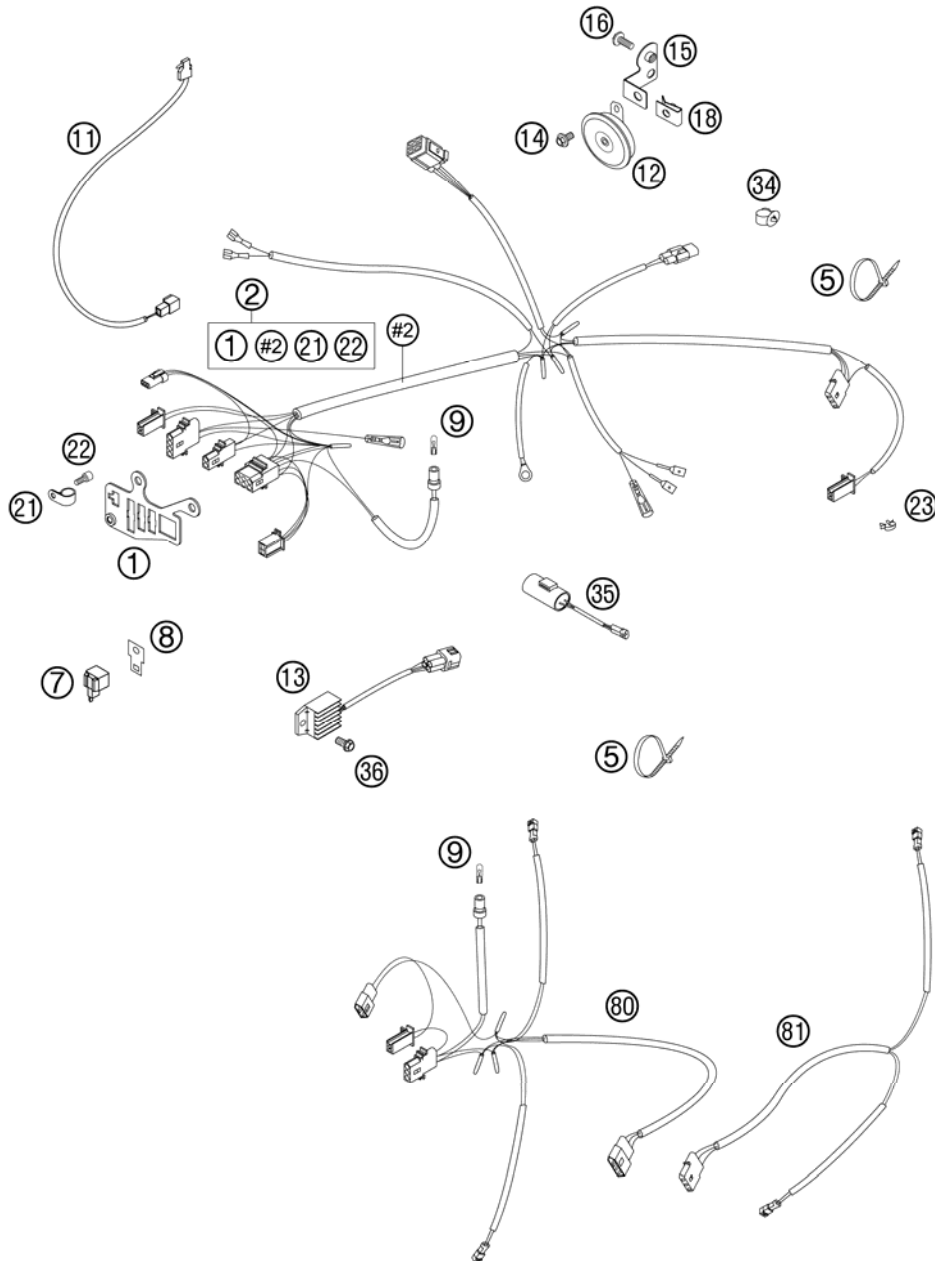


FIG	PART NUMBER	DESCRIPTION	QTY
1	54811083100	SUPPORT BRACKET EXC 2005	1
2*	54811075350	WIRING HARNESS EXC-EU/AUS 06	1
5	44011076200	CABLE TIE 200/3,6MM BLACK	x
5	44011076305	CABLE TIE 300/4,8MM BLACK	1
7	44611207200	FLASHER UNIT 97	1
8	58211031100	BRACKET FOR FLASHER RELASE	1
9	49111425000	BULB 12V 1,2W (W2X4,6D)	2
11	50311050100	BRAKE LIGHT SWITCH FRONT 2002	1
12	50311060000	DC HORN 12V K80/L LEB	1
13	80011034000	VOLTAGE REGULATOR 04	1
14	0014060103	HH COLLAR SCREW M 6X10 WS=8	1
15	59011061000	BRACKET 2001	1
16	0014060153	HH COLLAR SCREW M 6X15 WS=8	1
18	54603048100	RANGE CHANGE METAL NUT M6	1
21	57013070000	PVC-CLAMP 7/16" HEYCO 3377	1
22	0912050083	AH SCREW DIN 912 M 5X8	1
23	57013072000	WIRING HOLDER 12MM	x
23	57013072100	WIRING HOLDER 16MM	x
34	58111076000	CABLE SUPPORT KHS NR.150-47610	1
35	50311035000	CONDENSATOR 2200MF ADP-48 2000	1
36	0015060123	HH COLLAR SCREW M 6X12 WS=8	1
80*	59011080100	FLASH. WIRINGHARNESS FRONT 06	1
81*	59011081100	FLASH. WIRINGHARNESS REAR 06	1

065231101 / C065231101

\* NEW PART

X AS REQUIRED

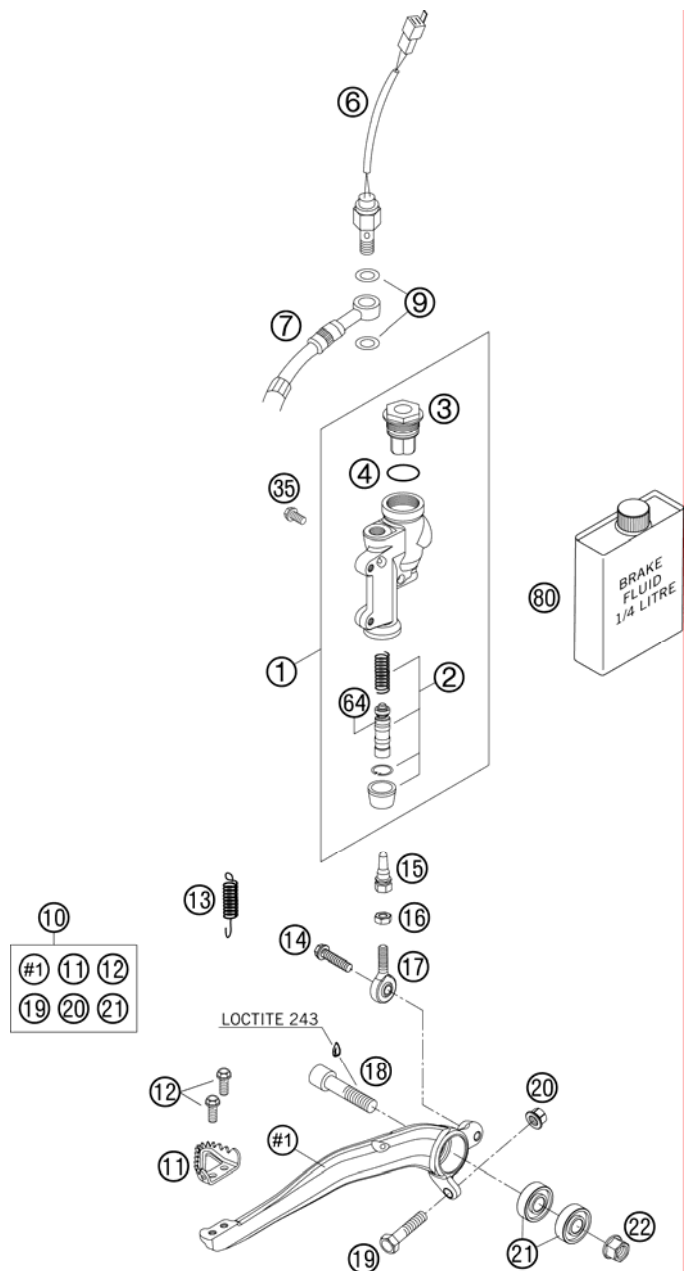


FIG	PART NUMBER	DESCRIPTION	QTY
1	54813060100	REAR BRAKE CYLINDER CPL. 2004	1
2*	54813061100	REPAIR KIT PISTON 13MM 04	1
3	54813062100	REAR BRAKE CYL. COVER CPL. 04	1
4	54813063000	FOOT-BRAKE CYL. GASKET SX 03	1
6	50311051100	BRAKE LIGHT SWITCH REAR '98	1
7	54813070000	BRAKE HOSE REAR 655MM 03	1
9	42013226000	CU-SEAL RING DIN7603-10X16X1	2
10	54813050044	FOOT BRAKE LEVER CPL. 03	1
11	54813051000	STEP PLATE FOR BRAKE LEVER	1
12	0015050123	HH COLLAR SCREW M 5X12 WS=8	2
13	54603062000	RETURN SPRING FOR BRAKE LEVER	1
14	0015060203	HH COLLAR SCREW M 6X20 WS=8	1
15	54813056000	PUSH ROD L=28MM 03	1
16	0934060003	HEXAGON NUT DIN0934-M 6	1
17	54813055000	SWIVEL HEAD KA6 03	1
18	0912100406	AH SCREW DIN6912 M10X40 10.9	1
19	59001037000	SPECIAL SCREW M8X26 WS=10	1
20	46030045000	COLLAR NUT M8 WS=10	1
21	0625060002	BALL BEARING SKF 6000-2RS1	2
22	54630044000	COLLAR NUT M10 WS=13	1
35	0015060123	HH COLLAR SCREW M 6X12 WS=8	2
64*	54813064100	BELLOWS FOR REPAIR KIT 04	1
80	306054	BRAKE FLUID DOT 5.1	1

065231300 / C065231300

\* NEW PART

X AS REQUIRED



# BRAKE CALIPER REAR

200 EXC EU 2006

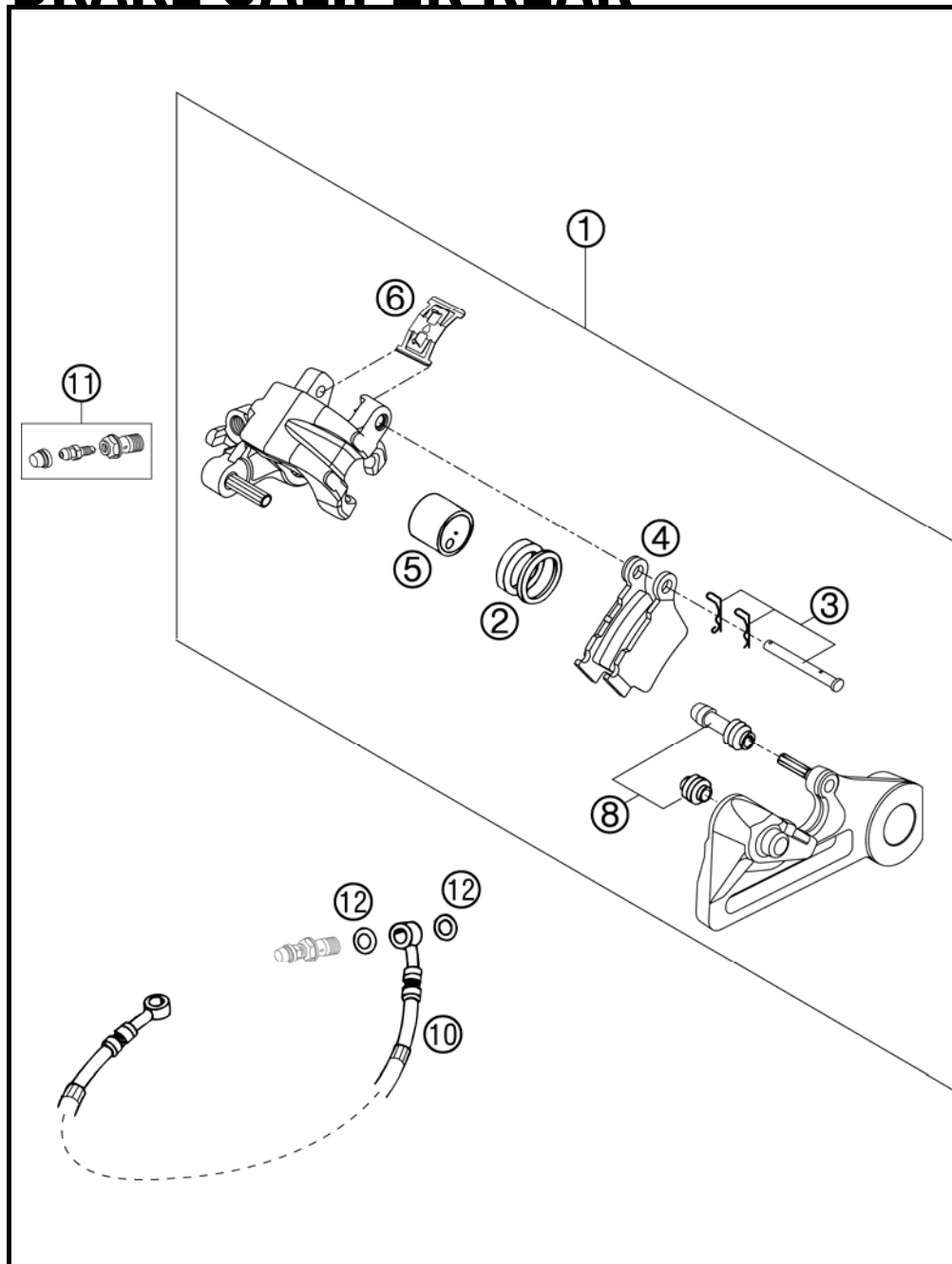


FIG	PART NUMBER	DESCRIPTION	QTY
1	54813080144	BRAKE CALIPER REAR CPL. 2005	1
2	50313081200	REPAIR KIT SEALING RINGS 26MM	1
3	54813082000	BOLT SET FOR BRAKE CALIPER 03	1
4	54813090300	BRAKE PAD SET REAR TOYO	1
5	54813083000	BRAKE PISTON 26MM 2003	1
6	54813018000	RETAINING SPRING SET 2003	1
8	54613218000	CUP SET SHORT	1
10	54813070000	BRAKE HOSE REAR 655MM 03	1
11	54813020000	BLEEDER HOLLOW SCREW M10X1	1
12	42013226000	CU-SEAL RING DIN7603-10X16X1	2

03590136 / C065231303

\* NEW PART

X AS REQUIRED

# HAND BRAKE CYLINDER

200 EXC EU 2006

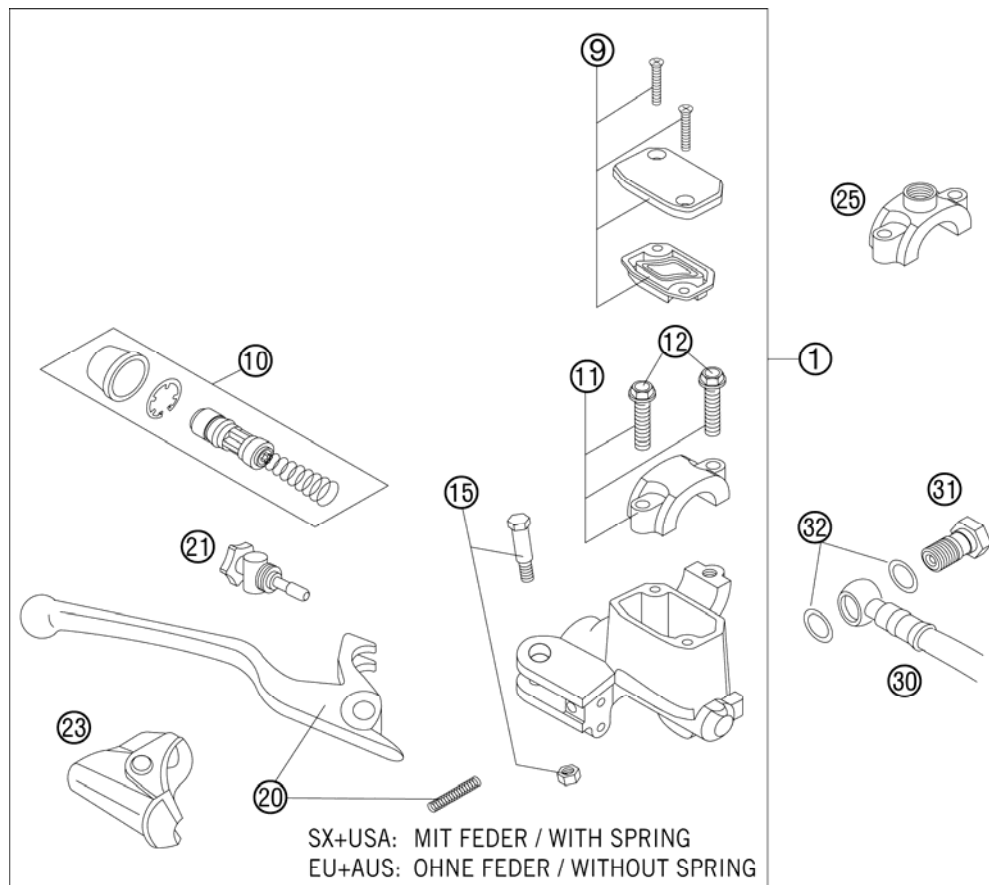


FIG	PART NUMBER	DESCRIPTION	QTY
1*	54813001300	HAND BRAKE CYLINDER CPL.EXC 06	1
9	50313003000	HANDBRAKE CYL.COVER CPL.NATURE	1
10*	54813008200	REP.SET PISTON D=10MM 2006	1
11	50313005000	CLAMP CPL. NATURE	1
12	0015060253	HH COLLAR SCREW M 6X25 WS=8	2
15	50313006100	LEVER SCREW CPL. 2001	1
20*	54813002100	HAND BRAKE LEVER + SPRING 2006	1
21*	54813007200	ADJUSTING SCREW CPL. EXC 2006	1
23	50313004000	PROTECTION CAP HAND BRAKE CYL.	1
25	58012040150	CLAMP FOR MIRROR '94	x
30	59013011000	BRAKEHO. FRONT 1300MM 2000	1
31	50213025000	HOLLOW SCREW M10X1X19	1
32	42013226000	CU-SEAL RING DIN7603-10X16X1	2
80	306054	BRAKE FLUID DOT 5.1	1

05503130 / C065231304

\* NEW PART

X AS REQUIRED

# BRAKE CALIPER FRONT

200 EXC EU 2006

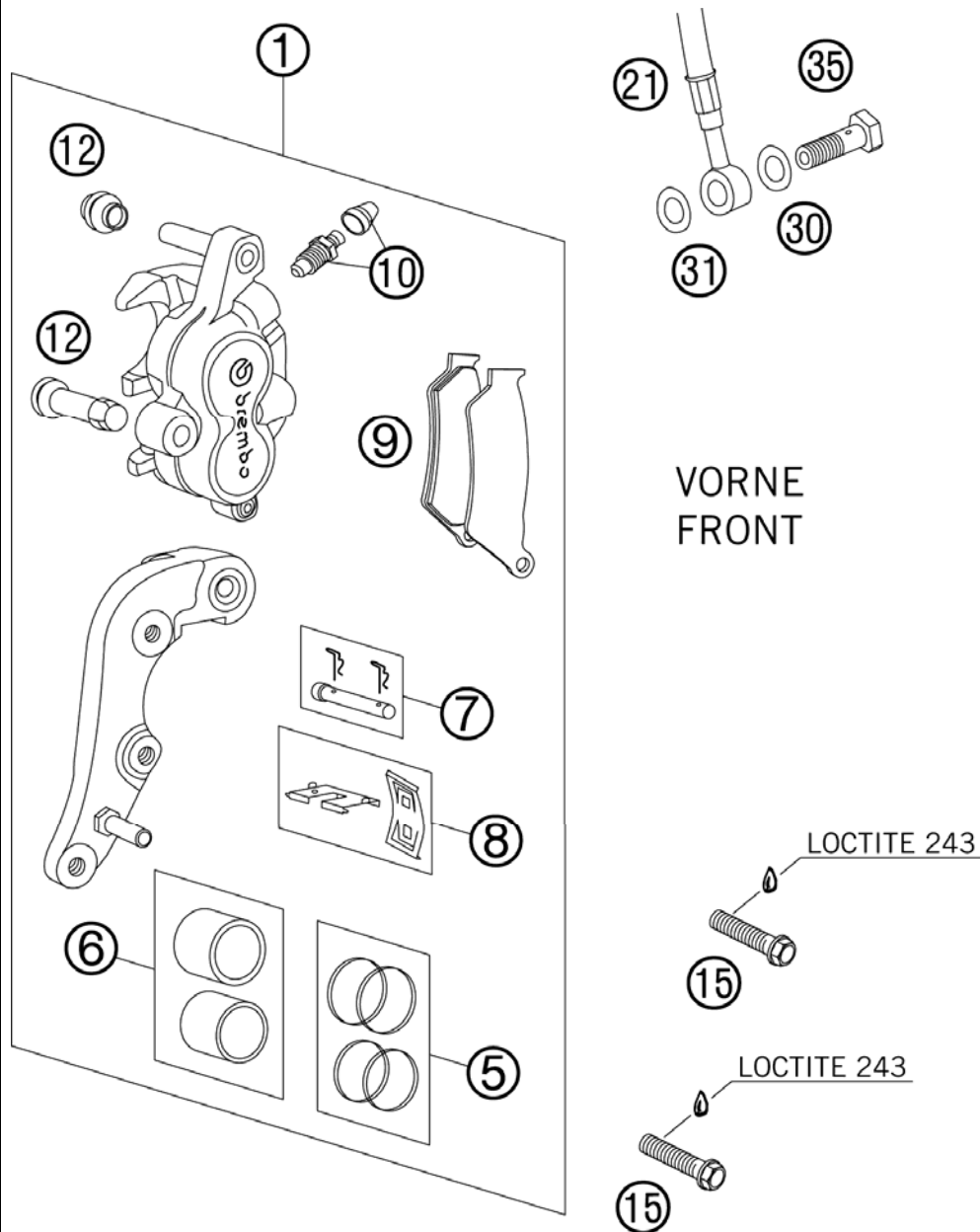


FIG	PART NUMBER	DESCRIPTION	QTY
1	59013015144	BRAKECALIPER FRONT BREMBO 2000	1
5	54613205000	REPAIR KIT 28MM	1
6	54613206000	REPAIR KIT PISTON 28MM	1
7	54613210100	BOLT CPL. 6X56	1
8	54613212000	RETAINING PLATE SET BREMBO	1
9	50313030100	BRAKE P.SET FR. TOSHIBA TT2701	1
10*	60013020000	BLEEDER SCREW WITH CAP	1
12	54613218000	CUP SET SHORT	1
15	0015080353	HH COLLAR SCREW M 8X35 WS=10	2
21	59013011000	BRAKEHO. FRONT 1300MM 2000	1
30	42013226000	CU-SEAL RING DIN7603-10X16X1	2
31	42013026000	CU-SEAL RING DIN7603-10X16X1,5	2
35	50213025000	HOLLOW SCREW M10X1X19	1

065231306 / C065231306

\* NEW PART

X AS REQUIRED



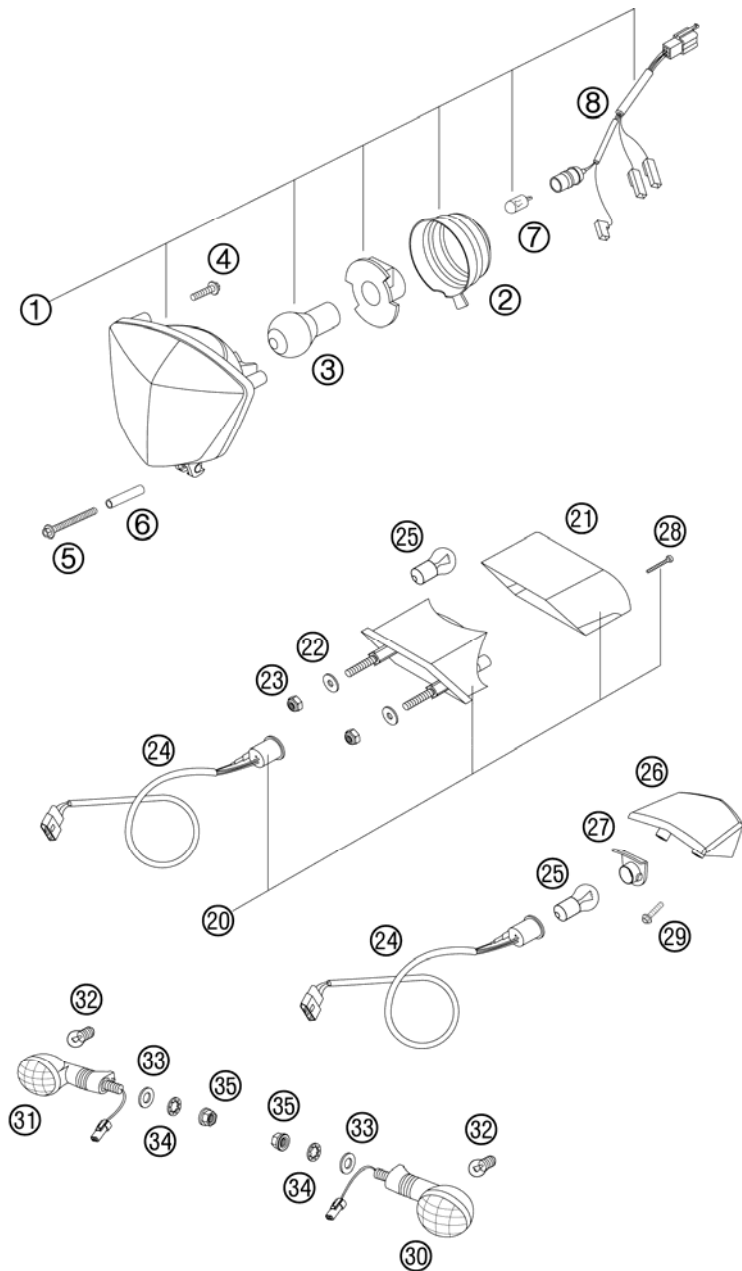


FIG	PART NUMBER	DESCRIPTION	QTY
1	54814001000	HEAD LIGHT CPL. 2005	1
2	54814001050	RUBBER CAP FOR HEAD LIGHT 05	1
3	44111038000	BILUX-BULB 12V 35/35W BA20D	1
4	0081500181	SCREW FOR PLASTIC D=5X18	2
5	0014050603	HH COLLAR SCREW M 5X60 WS=6	1
6	54808008000	SPACER HOSE F. HEAD LIGHT MASK	1
7*	49011435100	BULB 12V 5W (W2,1X9,5D) PHIL.	1
8	54811001050	CABLE FOR HEAD LIGHT 2005	1
20	50314040100	REAR LIGHT CPL.125-380 EGS '98	1
21	50314041100	REAR LIGHT LENS 125-380 EGS'98	1
22	0021060003	WASHER DIN9021-A 6,4	2
23	0985060003	SELF LOCK. NUT DIN0985-M 6	2
24	50311076000	WIRING HARNESS REAR 125-380'98	1
25	58414042000	BULB 12V 21/5W (BAY15S)REINFO.	1
26	50314041200	REAR LIGHT LENS 04	1
27	54811076050	LAMP HOLDER 04	1
28	0981350323	SHEET MET. SCR. DIN7981 3,5X32	2
29	0017060203	EJOT PT SCREW K60X20 WS=6	2
30*	54814025100	FLASHER CPL.FRONT L/S REAR R/S	2
31*	54814026100	FLAHER CPL. FRONT R/S REAR L/S	2
32	44111015100	BULB 12V 10W (BA15S)	4
33	0125100003	WASHER DIN0125-A10,5	4
34	0797100003	LOCK WASHER DIN6797-J10,5 ZI	4
35	58414030000	HH COLLAR NUT M10X1,25 WS=13	4

065231400 / C065231400

\* NEW PART

X AS REQUIRED

# SPEEDOMETER

200 EXC EU 2006

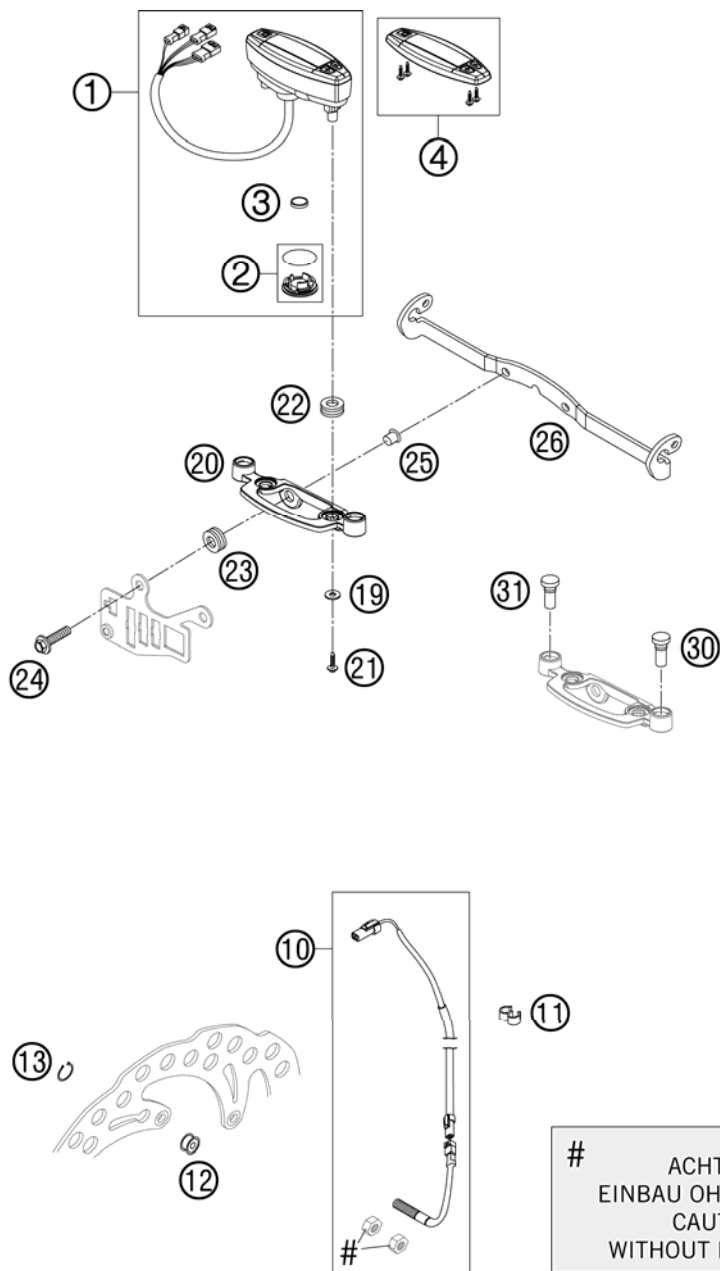


FIG	PART NUMBER	DESCRIPTION	QTY
1	54814069000	SPEEDOMETER KM/H F. 21" 2005 REPROGRAMMABLE: KM/H - MPH	1
2	54814069010	BATTERY COVER F. SPEEDOM. 2005	1
3	58314068000	BATTERY F. SPEEDOM. M.A.E. 02	1
4	54814069020	SPEEDOMETER TOP PART 05	1
10*	54814068100	CABLE FOR DIGITAL SPEEDOM. 06	1
11	55011022100	CLAMP D=6/8MM, BLACK	3
12	54814069050	MAGNET FOR DIGITAL SPEEDOM. 03	1
13	0471009104	CIRCLIP DIN0471- 9X1 INOX	1
19	0021050003	WASHER DIN9021-A 5,3	2
20	54814060000	SPEEDOMETER BRACKET 05	1
21	0016050121	SCREW FOR PLASTIC D=5X12	2
22	58214069051	RUBBER GROMMET 16X10,8X3 02	2
23	31008060000	RUBBER SLEEVE D=8MM OPEN	2
24	0014060253	HH COLLAR SCREW M 6X25 WS=8	2
25	58314060050	SPACER BUSH. F. SPEEDOMET.BRA.	2
26	58314033100	FLASHER BRACKET 2002	1
30	58011021300	H.BEAM INDICATOR LIGHT BLUE'98	1
31	58011024300	FLASHER INDICAT.LIGHT GREEN'98	1

065231402 / C065231402

\* NEW PART

X AS REQUIRED

# SECONDÄRY AIR SYSTEM

200 EXC EU 2006

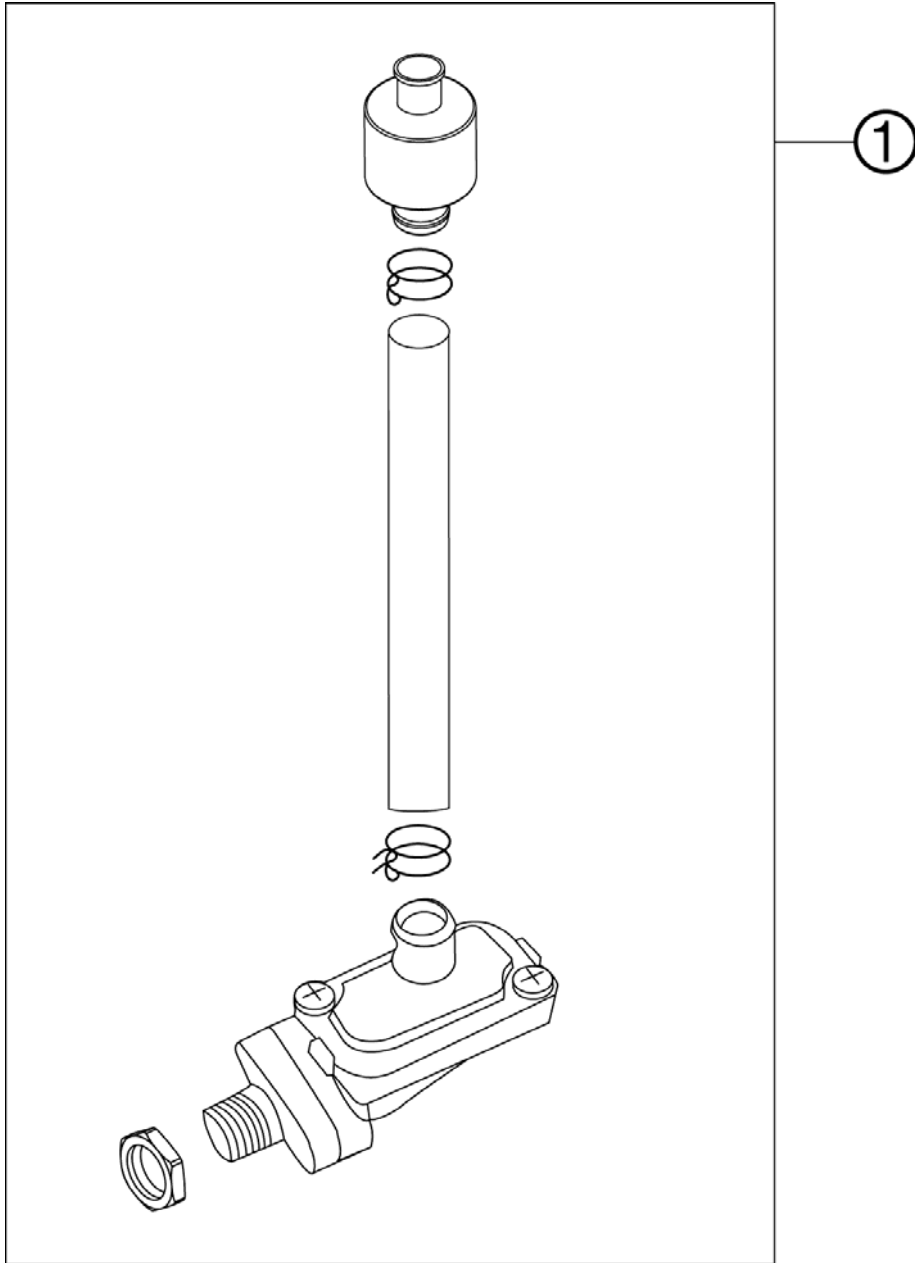


FIG	PART NUMBER	DESCRIPTION	QTY
1*	50305026044	SLS-VALVE CPL.	1

065233101 / C065233101

\* NEW PART

X AS REQUIRED











KTM Group Partner



3CF7203F0EN



**KTM-Sportmotorcycle AG**  
A-5230 Mattighofen  
[www.ktm.at](http://www.ktm.at)

Art.Nr.: 3CF7203F0EN 6/2005