

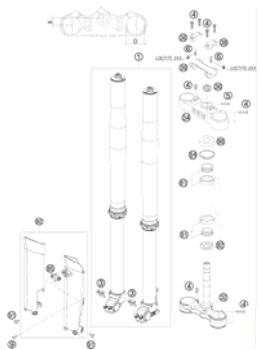
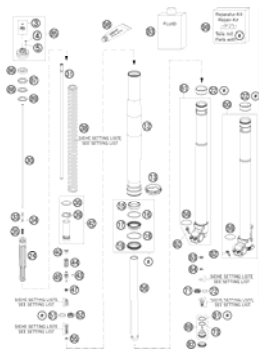
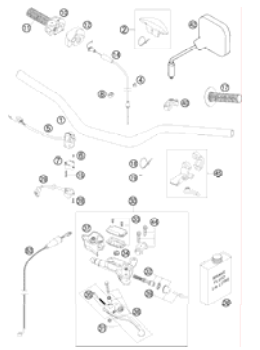
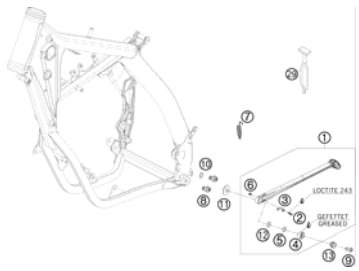
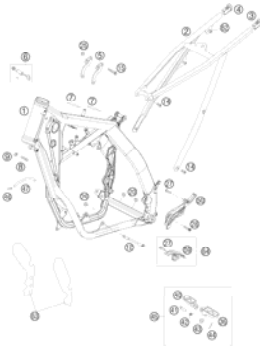
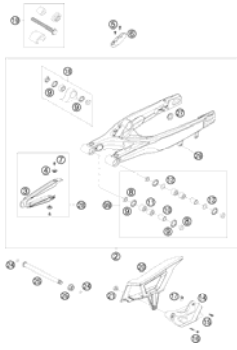
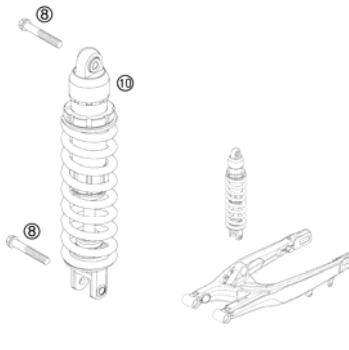
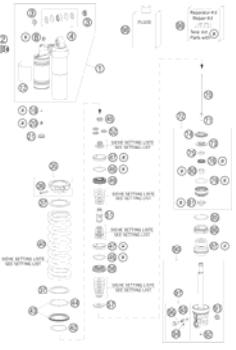
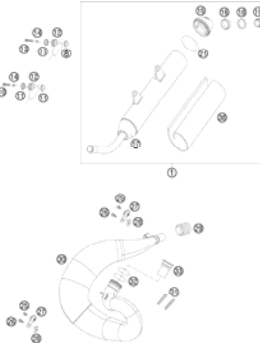
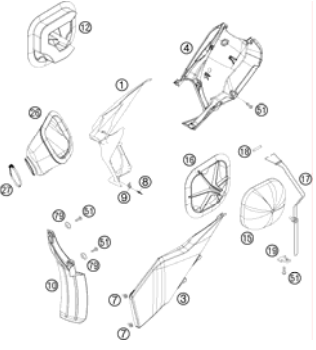
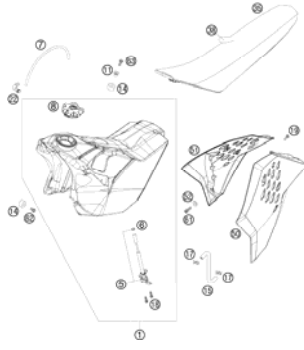
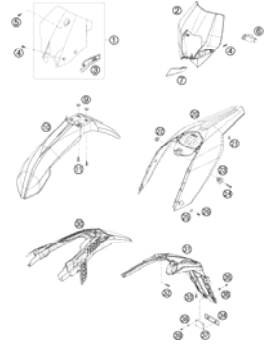
250 EXC EU 2008


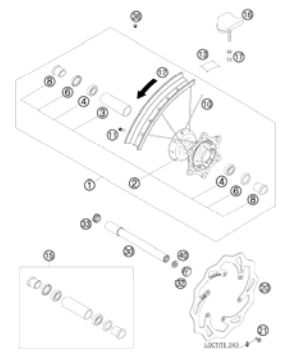
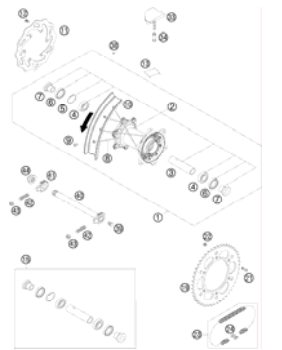

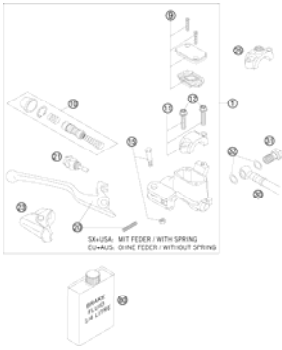
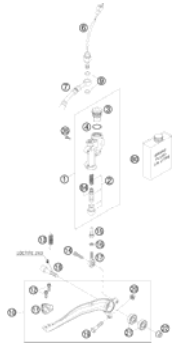
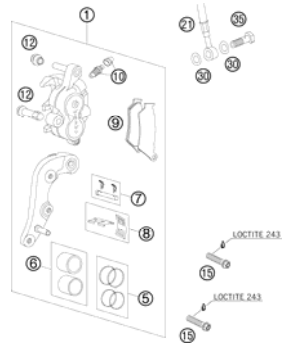
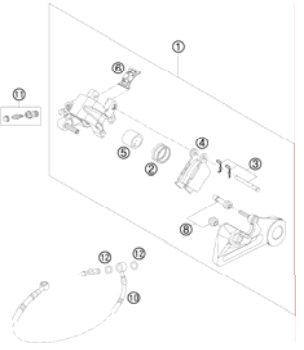
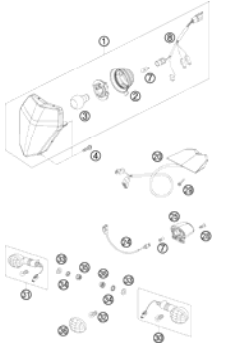
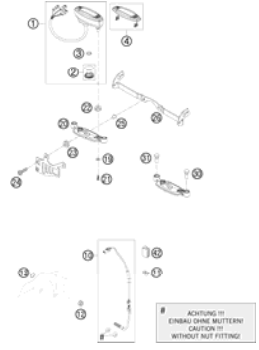
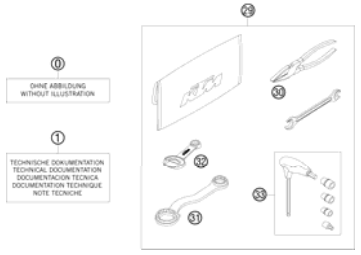
SPARE PARTS MANUAL: CHASSIS


ART.NO.: 3CF7303H0EN

ENGLISH



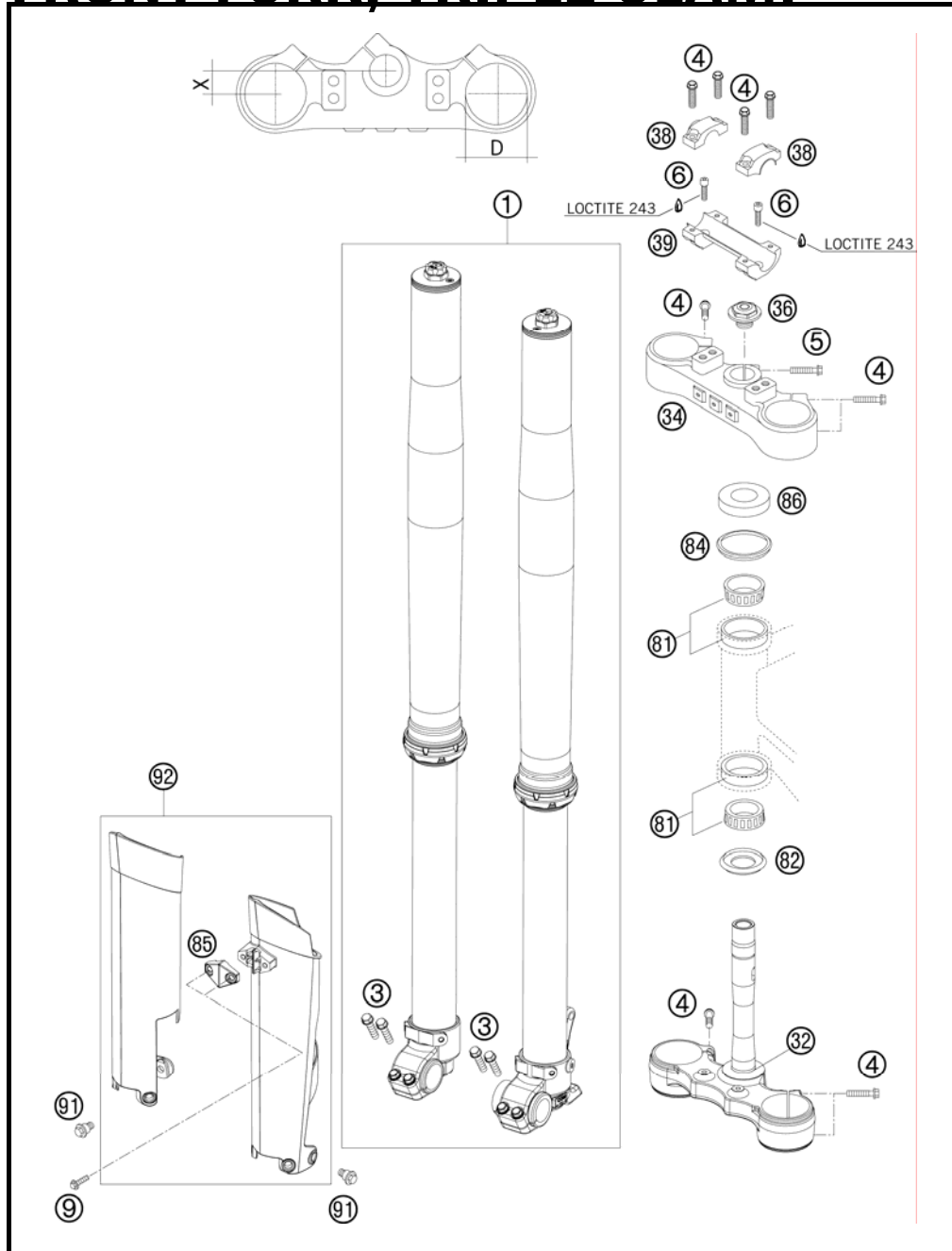
| | | | |
|--|---|--|---|
| <p>FRONT FORK, TRIPLE CLAMP</p>  <p>4</p> | <p>FRONT FORK DISASSEMBLED</p>  <p>5</p> | <p>HANDLEBAR, CONTROLS</p>  <p>7</p> | <p>SIDE / CENTER STAND</p>  <p>8</p> |
| <p>FRAME</p>  <p>9</p> | <p>SWING ARM</p>  <p>10</p> | <p>MONOSHOCK</p>  <p>11</p> | <p>MONOSHOCK DISASSEMBLED</p>  <p>12</p> |
| <p>EXHAUST SYSTEM</p>  <p>14</p> | <p>AIR FILTER</p>  <p>15</p> | <p>TANK, SEAT, COVER</p>  <p>16</p> | <p>MASK, FENDERS</p>  <p>17</p> |

| | | | |
|--|--|--|---|
| <p>DECAL</p>  <p>18</p> | <p>FRONT WHEEL</p>  <p>19</p> | <p>REAR WHEEL</p>  <p>20</p> | <p>WIRING HARNESS</p>  <p>22</p> |
| <p>HAND BRAKE CYLINDER</p>  <p>23</p> | <p>REAR BRAKE CONTROL</p>  <p>24</p> | <p>BRAKE CALIPER FRONT</p>  <p>25</p> | <p>BRAKE CALIPER REAR</p>  <p>26</p> |
| <p>LIGHTING SYSTEM</p>  <p>27</p> | <p>INSTRUMENTS / LOCK SYSTEM</p>  <p>28</p> | <p>ACCESORIES KIT</p>  <p>29</p> | |

| | | | |
|--|---|--|--|
| | | | |
| | | | |
| |  | <p>All information contained is without obligation. KTM-Sportmotorcycle AG particularly reserves the right to modify any equipment, technical specifications, prices, colors, shapes, materials, services, service work, constructions, equipment and the like so as to adapt them to local conditions or to cancel any of the above items, all without previous announcement and without giving reasons. KTM may stop manufacturing certain models without previous notice. KTM shall not be held liable for any deviations of availability and/or ability to deliver, illustrations, descriptions, printing and/or other errors. The illustrated models partly contain extra equipment, which is not applied to standard models. © by KTM-SPORTMOTORCYCLE AG, Mattighofen AUSTRIA; All rights reserved; Reprint, also in extracts, with written allowance of KTM-SPORTMOTORCYCLE AG, Mattighofen only.</p> | |

FRONT FORK, TRIPLE CLAMP

250 EXC EU 2008



| FIG | PART NUMBER | DESCRIPTION | QTY |
|-----|---------------|--------------------------------|-----|
| 1* | 14187D04 | FORK WP D=48 MA250/300 EXC 08 | 1 |
| 3* | 0025080256 | HH COLLAR SCREW M8X25 TX40 | 4 |
| 4* | 0025080306 | HH COLLAR SCREW M8X30 TX40 | 12 |
| 5* | 0025080356 | HH COLLAR SCREW M8X35 TX40 | 1 |
| 6 | 0912100250 | AH SCREW DIN6912-M10X25,10.9,L | 2 |
| 9 | 0017060204 | EJOT PT SCREW K60X20 ALU WS=6 | 2 |
| 32 | 59001132120 | BOT.TRIP.CL.CPL. X=20MM/D=60MM | 1 |
| 34 | 59001034120 | TOP TRIPLE CLAMP X=20MM/D=54MM | 1 |
| 36 | 54801036000 | STEER.HEAD SCREW M20X1,5 WS=27 | 1 |
| 38 | 59001038200 | HANDLEBAR CLAMP D=28MM 2000 | 2 |
| 39 | 59001039100 | HANDLEBAR SUPPORT 28MM SC'99 | 1 |
| 81 | 54201081100 | TAPERED ROLLER BEARING CPL. 06 | 2 |
| 82 | 54601084100 | O-RING SUPPORT W. SEALING LIP | 1 |
| 84 | 54601184000 | STEERING HEAD GASKET TOP | 1 |
| 85* | 7800108500004 | CLAMP FOR SPEED CABLE D=6MM 08 | 1 |
| 86 | 54201086000 | STEERING HEAD COVER | 1 |
| 91 | 59001092050 | SPECIAL SCREW M6X12,5 WS=8 | 6 |
| 92* | 7800109400004 | FORK PROTECTOR LE+RI ORANGE 08 | 1 |

085030113 / C085480112

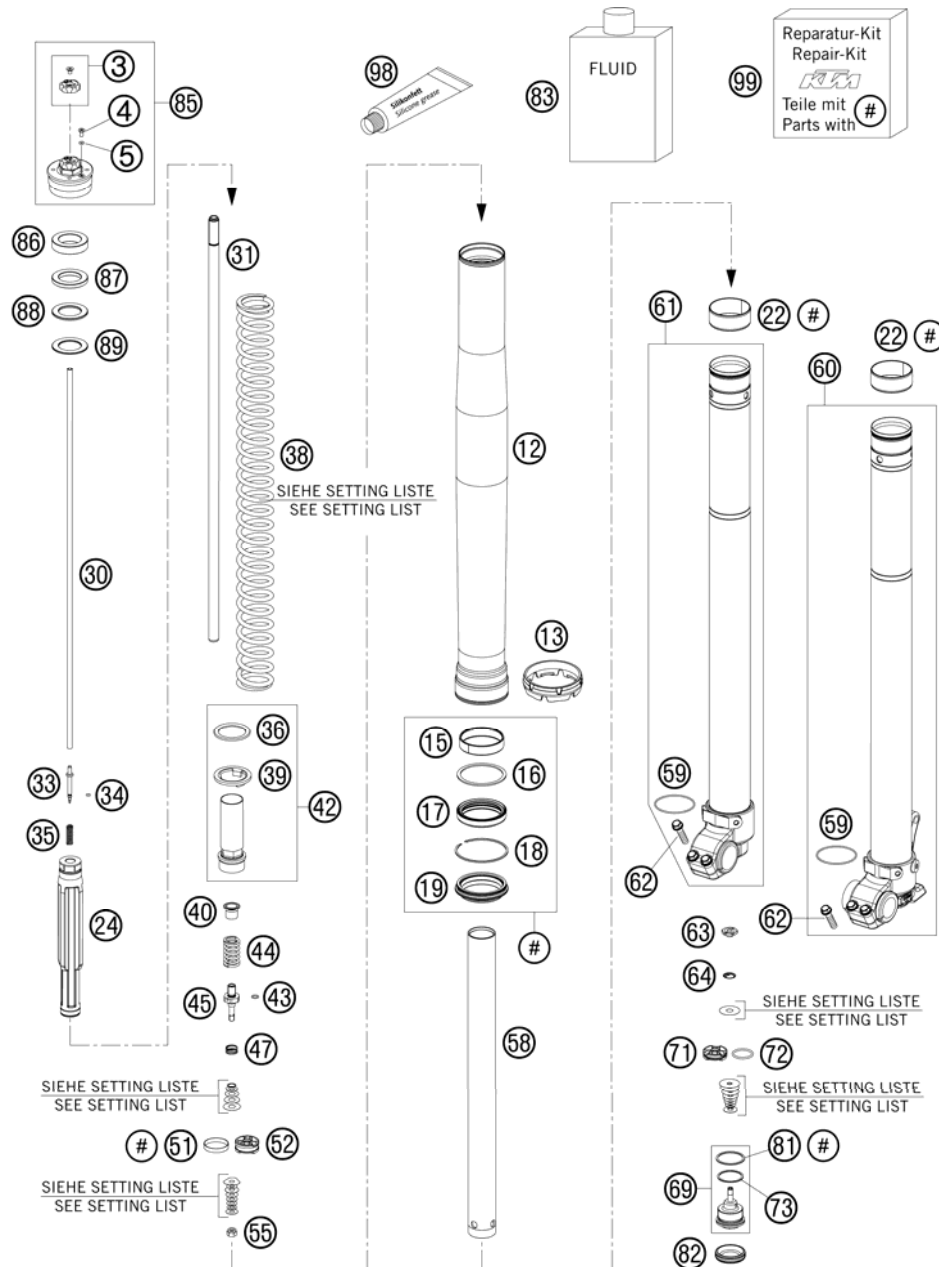
* NEW PART

X AS REQUIRED



FRONT FORK DISASSEMBLED

250 EXC EU 2008



| FIG | PART NUMBER | DESCRIPTION | QTY |
|-----|-------------|--------------------------------|-----|
| 3 | 48600564S | SETTING KNOB + SCREW | 2 |
| 4 | 48600481 | VENT SCREW M4X8 | 2 |
| 5 | 48600009 | O-RING NBR 3,7X1,6 | 2 |
| 12* | 48600693 | OUTER TUBE L577 D54/60MM 2L BL | 2 |
| 13* | 48600698 | FORK PROTECTION RING 08 | 2 |
| 15 | 48600429 | DU-BUSH D48XD52X12DDL02 | 2 |
| 16 | 48600013 | SUPPORT RING 50 X 57,6 X 1,5 | 2 |
| 17* | 48600347 | OIL SEAL RING 48X57,8X9,5 03 | 2 |
| 18 | 48600070 | LOCK WASHER SB58 | 2 |
| 19 | 48600400 | DUST CAP D=48 58,4X11,8 | 2 |
| 22 | 48600428 | DU-BUSH D47XD49X20DDL02 | 2 |
| 24 | 48600557S | HYDR.STOP L=200 D=31,9 CPL. 07 | 2 |
| 30 | 48600559 | ADJUSTING TUBE L=520 07 | 2 |
| 31 | 48600568 | PISTON ROD D=12 L=554 ALU | 2 |
| 33 | 48600277 | ADJUSTER NEEDLE 07 | 2 |
| 34 | 48600298 | O-RING 2X1,5 NBR | 2 |
| 35 | 48600444 | REBOUND SPRING C=4N/MM | 2 |
| 36 | 48600113 | WASHER 32X42X2,5 | 2 |
| 38 | 91410012S | SPRING 3,8N/MM SET D=4,9MM | x |
| 38 | 91410013S | SPRING 4,0N/MM SET D=5,0MM | x |
| 38 | 91410014S | SPRING 4,2N/MM SET D=5,0MM | x |
| 38 | 91410015S | SPRING 4,4N/MM SET D=5,1MM | x |
| 38 | 91410016S | SPRING 4,6N/MM SET | x |
| 38 | 91410017S | SPRING 4,8N/MM SET | x |
| 39 | 48600021 | INTERM. RING 26,2 X 43 X 3 | 2 |
| 40 | 48600525 | GUIDING BUSH REBOUND SPRING | 2 |
| 42 | 48600556S | SCREW SLEEVE M29,3X1 L=90 CPL. | 2 |
| 43 | 48600299 | O-RING 6X1,2 NBR | 2 |
| 44 | 48600511 | REBOUND SPRING L=32 C=17 | 2 |
| 45 | 48600513 | TAP REBOUND 07 | 2 |
| 47* | 48600382 | SHUTTLE VALVE SPRING C=0,4 | 2 |
| 51 | 48600060 | PISTON RING 5X1X84 | 2 |
| 52 | 48600042 | PISTON REBOUND D=27,7 | 2 |
| 55 | 40540486 | NUT M6X0,5 REBOUND | 2 |
| 58 | 48600081 | TUBE 29,3X1X390 D=8,5MM | 2 |
| 59 | 48600048 | O-RING NBR 46 X 2 | 2 |

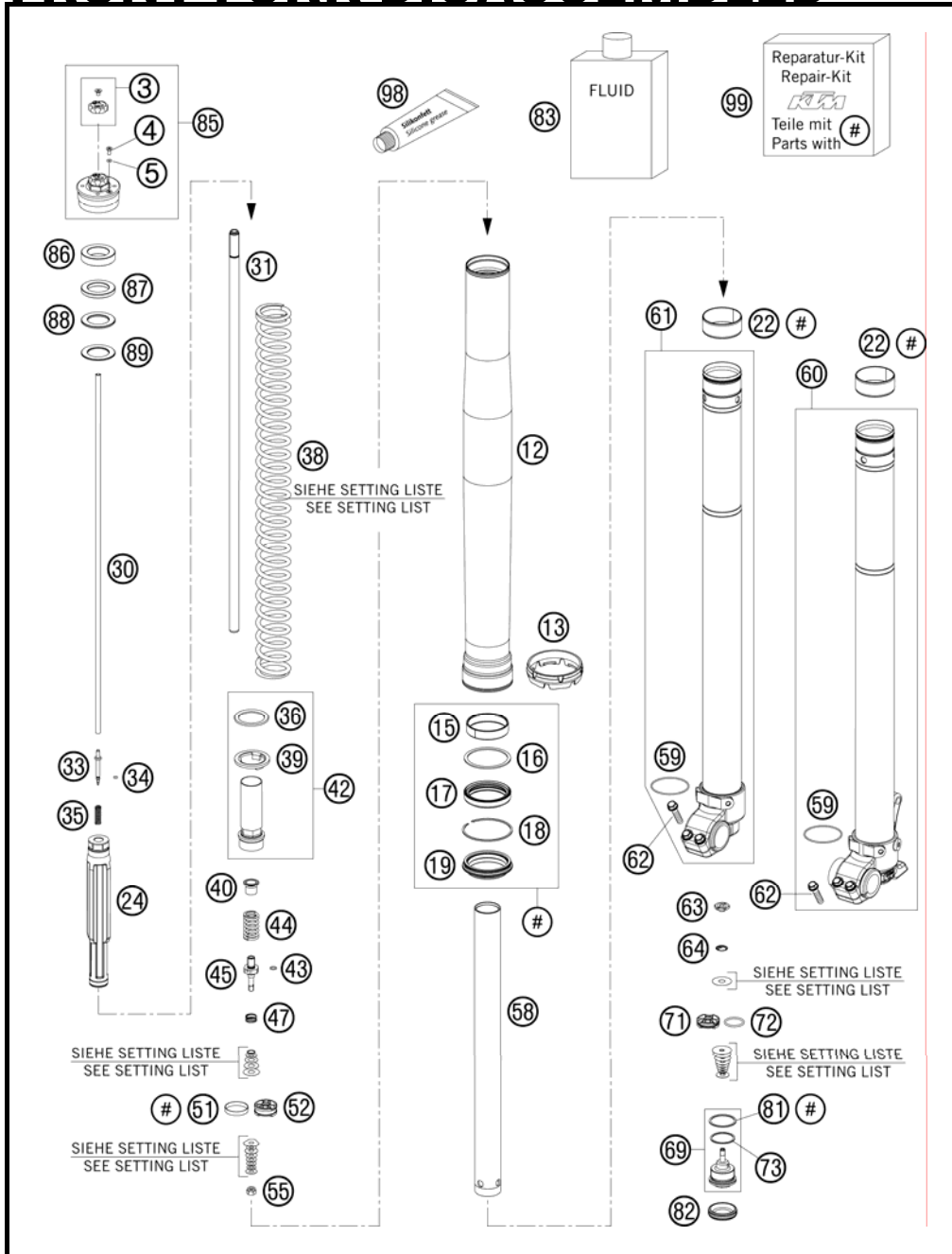
087800130 / C087800130

* NEW PART

X AS REQUIRED

FRONT FORK DISASSEMBLED

250 EXC EU 2008



| FIG | PART NUMBER | DESCRIPTION | QTY |
|-----|-------------|--------------------------------|-----|
| 60* | 48600237S2 | AXLE CLAMP L/S + TUBE CPL. 08 | 1 |
| 61* | 48600238S3 | AXLE CLAMP R/S + TUBE CPL. 08 | 1 |
| 62 | 0015080253 | HH COLLAR SCREW M 8X25 WS=10 | 4 |
| 63 | 48600163 | CHECK VALVE NUT M6X0,5 D=2 | 2 |
| 64 | 48600202 | SPRING CHECK VALVE D=0,7 | 2 |
| 69 | 48600586S | TAP COMPRESSION CPL. 07 | 2 |
| 71 | 48600047 | PISTON COMPRESSION CPL. 07 | 2 |
| 72 | 46811499 | O-RING NBR 21X2 | 2 |
| 73 | 35480320 | O-RING NBR 24X2 | 2 |
| 81 | 48600004 | COPPER WASHER 29,5X33,5X1 | 2 |
| 82 | 48600141 | RUBBER CAP D=35MM | 2 |
| 83 | 48600401S1 | FORK OIL SAE5 5L 2005 | 1 |
| 85 | 48600431S1 | PRE-LOAD ADJ. M51X1,5 CPL. 07 | 2 |
| 86 | 48600038 | SPACER 42X26,5X10 | 2 |
| 87 | 48600037 | SPACER 42X26,5X5 | 2 |
| 88 | 48600036 | SPACER 42X26,5X2,5 | 2 |
| 89 | 48600053 | SPACER 42X26,5X1,5 | 2 |
| 98 | T511 | SILICONE GREASE F. DUST STRI | 1 |
| 99* | R14015 | REPAIR-KIT EXC FRONT FORK 2008 | 1 |

087800130 / C087800130

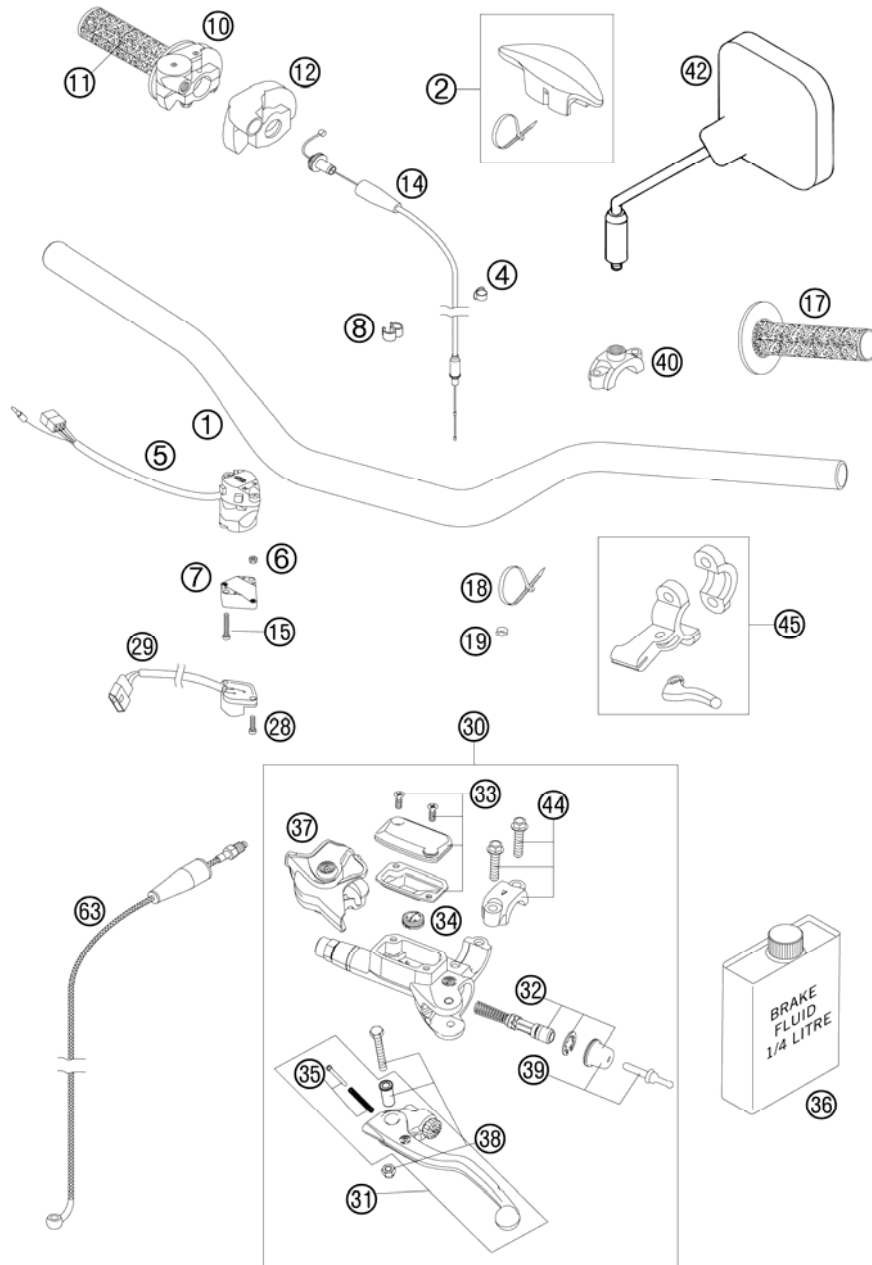
* NEW PART

X AS REQUIRED



HANDLEBAR, CONTROLS

250 EXC EU 2008

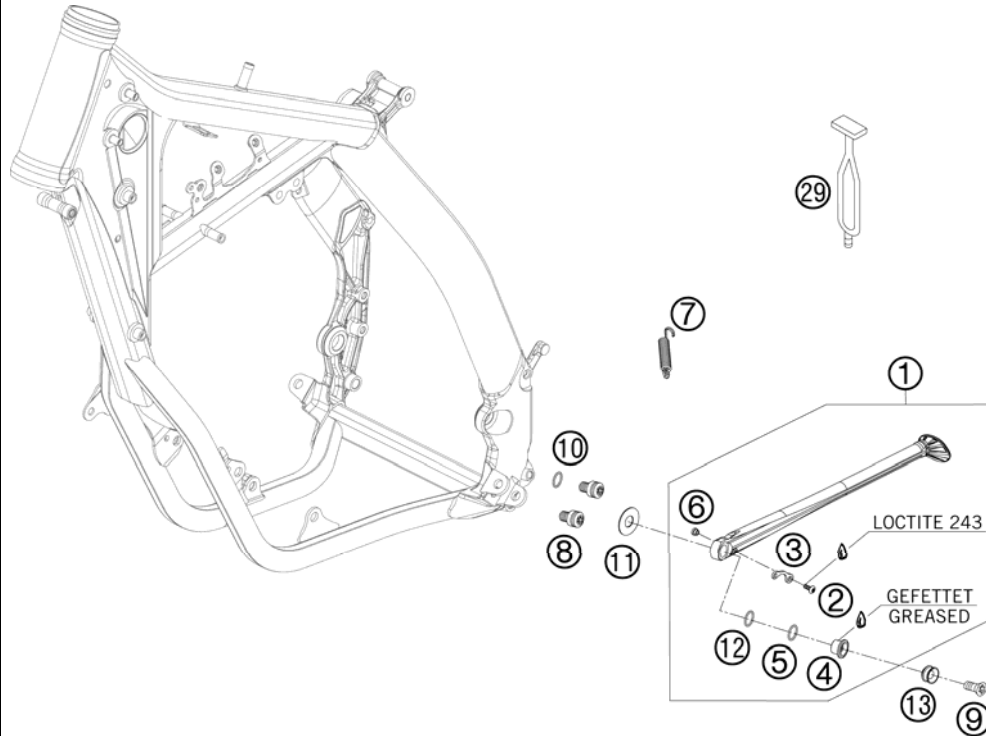


| FIG | PART NUMBER | DESCRIPTION | QTY |
|-----|---------------|--------------------------------|-----|
| 1 | 5480200130017 | HANDLEBAR NEKEN D=28MM EXC 07 | 1 |
| 2 | 59002002000 | HANDLEBAR PAD 05 | x |
| 4 | 57013072000 | WIRING HOLDER 12MM | 1 |
| 5 | 50311070000 | H.LIGHT SWITCH CEV 2/4TAKT '98 | 1 |
| 6 | 0934040003 | HEXAGON NUT DIN0934-M 4 | 2 |
| 7 | 13011070060 | ADAPTER FOR FLASHER SWITCH '98 | 1 |
| 8* | 60111094000 | CLAMP 5/7 MM 06 | 2 |
| 10 | 54802010000 | THR.TWIST CRIP CPL. W.O.CA. 04 | 1 |
| 11 | 54802013000 | TWIST GRIP COVER RENTHAL 04 | 1 |
| 12 | 50302020000 | PROTECTION COVER '97 | 1 |
| 14* | 50302091100 | THROTTLE CAB. DOMINO/KEIHIN 08 | 1 |
| 15 | 0084040223 | CYL.HEAD SCREW DIN0084-M 4X22A | 2 |
| 17 | 54802039000 | FIXED GRIP RENTHAL 04 | 1 |
| 18 | 44011076200 | CABLE TIE 200/3,6MM BLACK | 1 |
| 19 | 50301089000 | SPACER BUSHING 6X10X5 | 1 |
| 28 | 0985040203 | FLAT HEAD SCREW DIN7985-M 4X20 | 2 |
| 29 | 50311029000 | FLASHER SWITCH CEV '98 | 1 |
| 30 | 54802030044 | MASTER CYLINDER CPL. 06 | 1 |
| 31 | 54802031000 | CLUTCH LEVER CPL. BREMBO 06 | 1 |
| 32 | 54802032000 | REP. KIT PISTON 06 | 1 |
| 33 | 54802003000 | COVER HYD. CLUTCH CPL. | 1 |
| 34 | 54802051000 | VALVE | 1 |
| 35 | 54802052000 | BOLT KPL. | 1 |
| 36 | 00062030000 | BRAKE FLUID DOT5.1 0,25L | 1 |
| 37 | 54802037000 | PROTECTION CAP 06 | 1 |
| 38 | 54802038100 | LEVER SCREW CPL. 06 | 1 |
| 39 | 54802046000 | PUSH ROAD CPL. | 1 |
| 40 | 58012040150 | CLAMP FOR MIRROR '94 | x |
| 42 | 58012040000 | REAR MIRROR L/S | x |
| 42 | 58012140000 | REAR MIRROR R/S | x |
| 44 | 54802005100 | CLAMP CPL. 06 | x |
| 45* | 78002050000 | LEVER F. COLD START ACT. 08 | 1 |
| 63 | 54832063000 | CLUTCH PIPE 06 | 1 |

085480210 / C085480212

* NEW PART

X AS REQUIRED

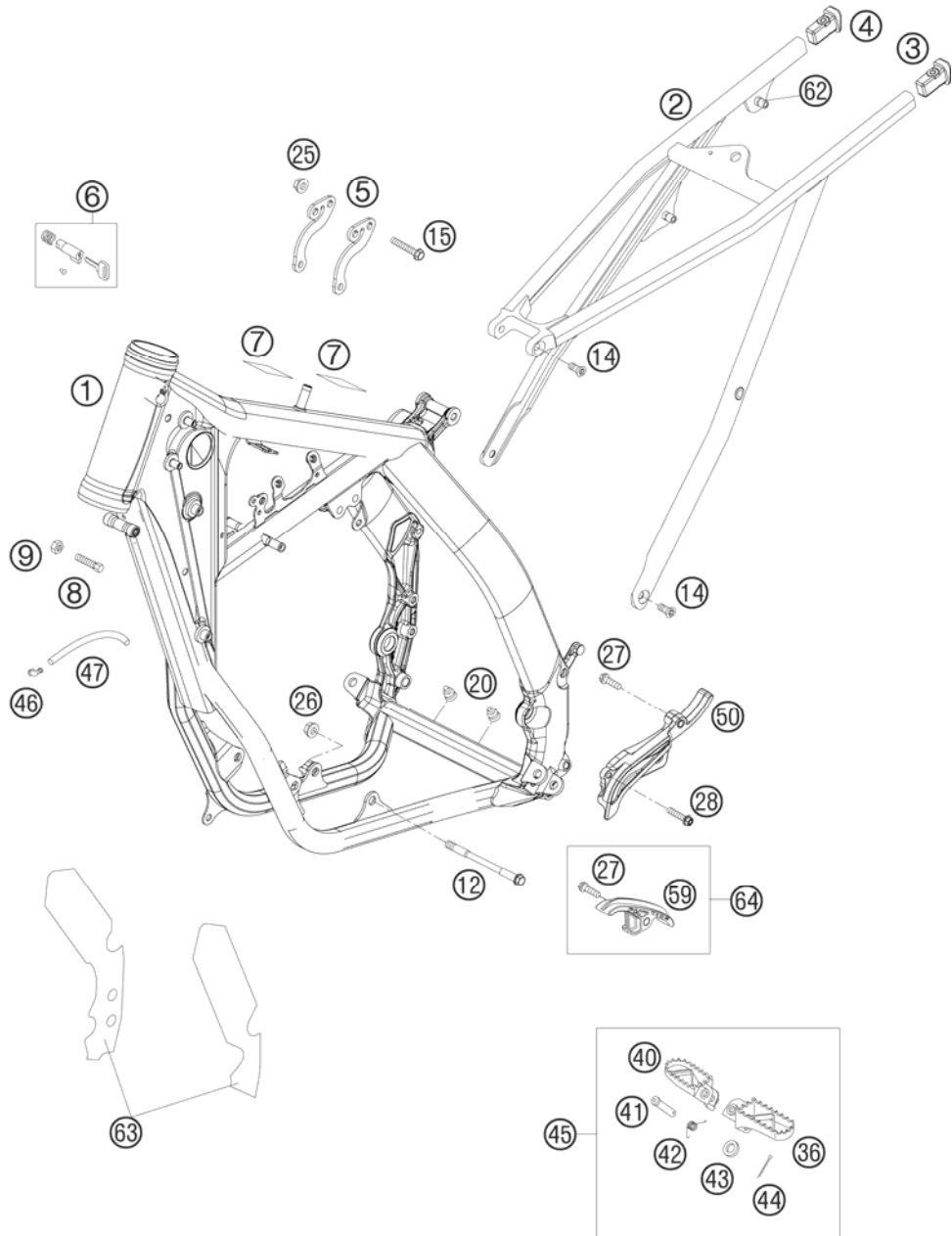


| FIG | PART NUMBER | DESCRIPTION | QTY |
|-----|-------------|--|-----|
| 1* | 78003023044 | SIDE STAND CPL. 08 | 1 |
| 2* | 58605083014 | SCREW M5X14 TORX 25 07 | 1 |
| 3* | 78003023090 | SUPPORT SIDE STAND SPRING 08 | 1 |
| 4* | 78003023080 | SIDE STAND BUSHING EXC USA 08 | 1 |
| 5* | 0770180020 | O-RING 18,00X2,00 NBR 70 | 1 |
| 6* | 78003023070 | SPACER BUSHING SPRING BRACKET | 1 |
| 7* | 78003024000 | SIDE STAND SPRING EXC 08 | 1 |
| 8* | 78003023082 | SIDE STAND STOP SCREW M10x30 | 2 |
| 9* | 0019080206S | FLAT HEAD SCREW M. ISA45 M8X20 | 1 |
| 9* | 0025080306 | HH COLLAR SCREW M8X30 TX40 ONLY FOR EU | 1 |
| 10* | 0770120020 | O-RING 12,00X2,00 NBR 70 | 1 |
| 11* | 78003023083 | WASHER F. SIDE STAND 12,2X29,5 | 1 |
| 12* | 0770125015 | O-RING 12,5X1,5 NBR | 1 |
| 13* | 78003023081 | SIDE STAND BUSHING EXC-EU 08 ONLY FOR EU | 1 |
| 29* | 50303018000 | RUBBER L=145MM | 1 |

085230360 / C085230360

* NEW PART

X AS REQUIRED

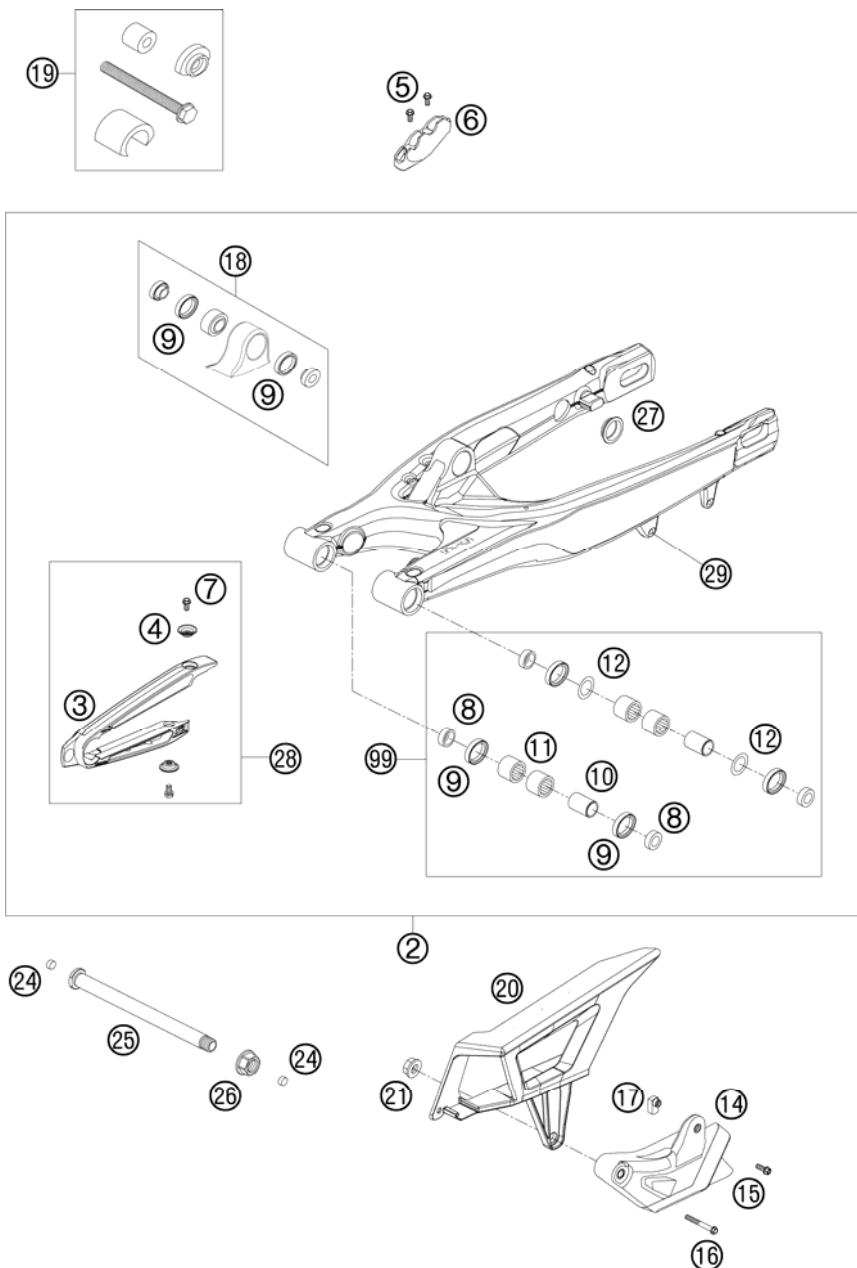


| FIG | PART NUMBER | DESCRIPTION | QTY |
|-----|---------------|--------------------------------|-----|
| 1* | 5480340120030 | FRAME 250/300 "CC08" 08 | 1 |
| 2* | 77303002000 | SUB FRAME SX "Q7" 07 | 1 |
| 3* | 78003002010 | SUB FRAME APPLICATION LEFT 08 | 1 |
| 4* | 78003002020 | SUB FRAME APPLICATION RIGHT 08 | 1 |
| 5* | 54803413000 | REINFORCING B. 250 SX 07 | 2 |
| 6* | 78003035000 | STEERING HEAD LOCK 08 | 1 |
| 7 | 50307012000 | ADH. FOIL TRANSP. 80X80 MM 04 | 2 |
| 8 | 59001037000 | SPECIAL SCREW M8X26 WS=10 | 2 |
| 9 | 0934080003 | HEXAGON NUT DIN0934-M 8 | 2 |
| 12 | 54603013000 | ENGINE BRAC.SCR. M10X105 WS=13 | 2 |
| 14* | 0019080206S | FLAT HEAD SCREW M. ISA45 M8X20 | 4 |
| 15 | 56530079000 | COLLAR SCREW M8X42 WS=13 10.9 | 3 |
| 20* | 54403135000 | PLASTIC CAP SFL10 | 2 |
| 25 | 54310086200 | SELF LOCKING NUT M8 10.9 | 3 |
| 26 | 54310086100 | SELF LOCKING NUT M10 CU WS=14 | 2 |
| 27* | 0025080306 | HH COLLAR SCREW M8X30 TX40 | 2 |
| 28* | 0025060356 | HH COLLAR SCREW M6X35 TX30 | 1 |
| 36 | 59003040250 | FOOT PED L/S SILVER 02 | 1 |
| 40 | 59003041250 | FOOT PED R/S SILVER 02 | 1 |
| 41 | 54803044000 | BOLT FOR FOOT PED 03 | 2 |
| 42 | 54603041000 | FOOTREST SPRING L/S & R/S | 2 |
| 43 | 0125100003 | WASHER DIN0125-A10,5 | 2 |
| 44 | 0094032253 | PIN DIN0094-3,2X25 STEEL | 2 |
| 45 | 5030314013390 | FOOTREST L.+R. CPL. 03 | 1 |
| 46 | 50303089000 | ANGEL PIECE '97 | 2 |
| 47 | 55007016001 | PVC-HOSE 7X10 PER METER | x |
| 49* | 54803096000 | SPROCKET COVER 250 SX 07 | 1 |
| 59* | 77303053000 | CHAIN SLIDING PIECE BELOW 07 | 1 |
| 62* | 77303139000 | BLIND RIVET NUT EM6-60LF/HX | 4 |
| 63* | 77303094000 | FRAME PROTECTION STICK. SET 07 | 1 |
| 64* | 77303053010 | CHAIN SLIDING P. BELOW CPL. 07 | 1 |

085480312 / C085480312

* NEW PART

X AS REQUIRED

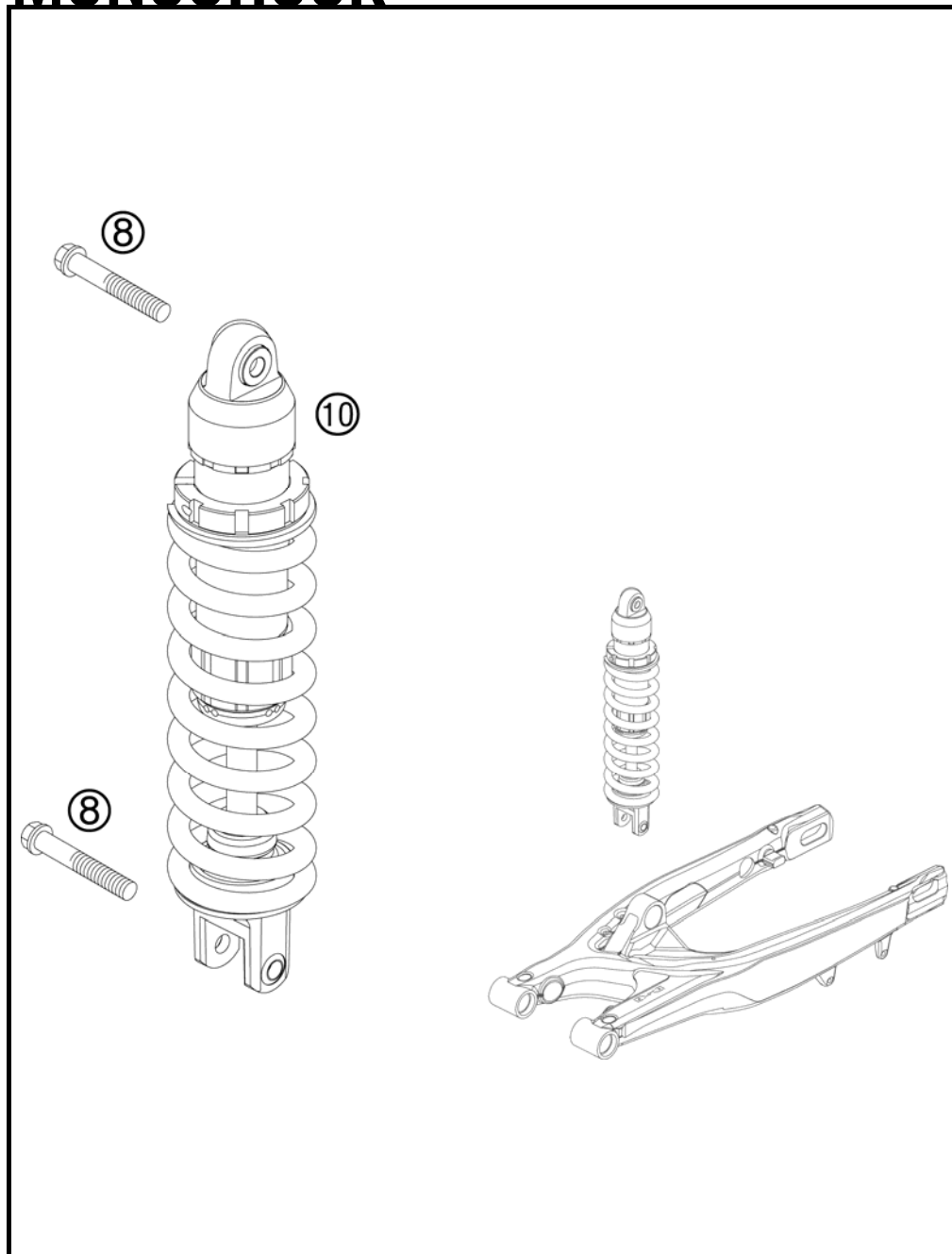


| FIG | PART NUMBER | DESCRIPTION | QTY |
|-----|-------------|--------------------------------|-----|
| 2* | 77304030044 | SWINGARM CPL. 07 | 1 |
| 3* | 77304066000 | CHAIN SLIDING PROTECTION | 1 |
| 4* | 77304066050 | BUSHING F. CHAIN SLIDING PR.07 | 2 |
| 5 | 0009050103 | SPECIAL SCREW M 5,0X10 | 2 |
| 6* | 77313047000 | BRAKE HOSE GUIDE LOWER 07 | 1 |
| 7* | 0025060106 | HH COLLAR SCREW M6X10 TX30 | 2 |
| 8 | 54804034000 | BUCKET F. SHAFT SEAL RING 03 | 4 |
| 9 | 0760253270 | SHAFT SEAL RING 25X32X7 | 6 |
| 10 | 54804032000 | BUSHING SLEEVE F. SWING ARM 03 | 2 |
| 11 | 58033097000 | NEEDLE BEARING HK 2216 | 4 |
| 12 | 54603036000 | STOP DISK 22,2X31,7X1 | 2 |
| 14* | 77304070000 | CHAIN GUIDE REAR CPL. 07 | 1 |
| 15* | 0025060166 | HH COLLAR SCREW M6X16 TX30 | 1 |
| 16* | 0025060506 | HH COLLAR SCREW M6X50 TX30 | 1 |
| 17* | 77304070030 | INSERTION NUT F. CHAIN GUIDE | 1 |
| 18 | 50304090044 | PIVOT BEARING+BUSHES PDS '99 | 1 |
| 19 | 50329000044 | TOOL BEARING MOUNTING PDS | 1 |
| 20* | 78004060000 | CHAIN GUARD 08 | 1 |
| 21* | 56509064100 | SELF LOCKING NUT M6 10.9 | 1 |
| 24* | 55009086000 | PLUG SFL13 | 2 |
| 25 | 77304037000 | SWINGARM BOLT M16X1,5 07 | 1 |
| 26 | 54804038000 | SELF LOCK.NUT M16X1,5 WS=19 03 | 1 |
| 27 | 58404041100 | CLOSING COVER ROUND 03 | 4 |
| 28* | 77304066010 | CHAIN GUARD CPL. 06 | x |
| 29* | 54603055051 | PRESS IN NUT M6 STEEL ZINC | 1 |
| 99* | 54804230210 | SWINGARM REPAIR KIT 05-07 | x |

085030491 / C085030491

* NEW PART

X AS REQUIRED



| FIG | PART NUMBER | DESCRIPTION | QTY |
|-----|-------------|--------------------------------|-----|
| 8* | 0025120506S | HH COLLAR SCREW M12X50 TX45 | 2 |
| 10* | 12187D04 | MONOSH. PDS B07MA250/300EXC 08 | 1 |

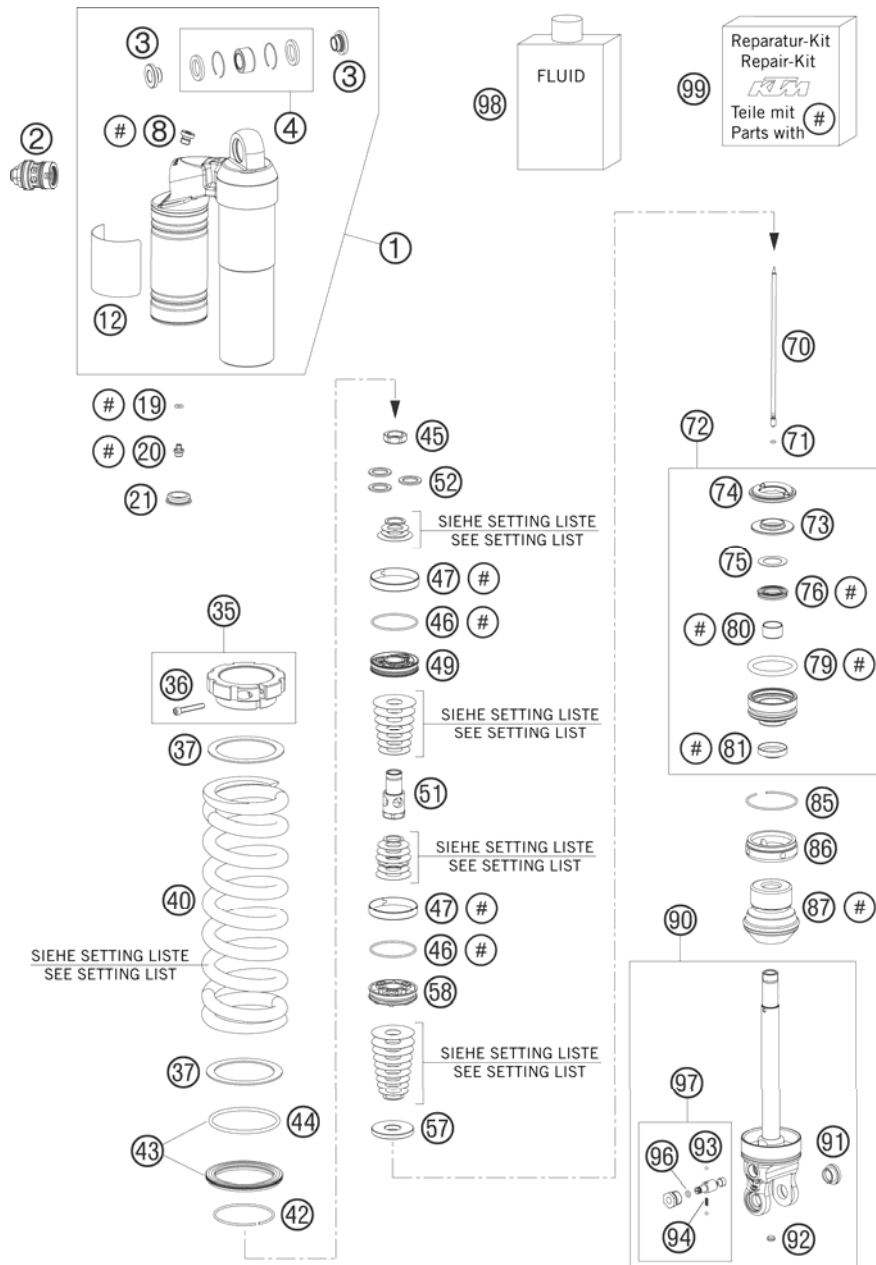
085030410 / C085480412

* NEW PART

X AS REQUIRED

MONOSHOCK DISASSEMBLED

250 EXC EU 2008



| FIG | PART NUMBER | DESCRIPTION | QTY |
|-----|-------------|--------------------------------|-----|
| 1* | 50180597S1 | TOP PART CPL. M57,5X1 H30,5 08 | 1 |
| 2 | 50180213S10 | DCC-COMPR.DAMP.CONTROL CPL. 07 | 1 |
| 3 | 46180007 | ADAPTOR BUSH KGW 12X24 | 2 |
| 4 | R12012 | REP. KIT BEAR./SEAL UP. 07 | 1 |
| 8 | 50180095 | BLEED PLUG R 1/8 | 1 |
| 12 | 52000041 | WP CAUTION (PDS KTM) 58X83 | 1 |
| 19 | 46810893 | O-RING NBR 5,28X1,78 | 1 |
| 20 | 36120151 | SCREW PLUG M5X6 | 1 |
| 21 | 46811208 | RUBBER CAP "DO NOT OPEN" | 1 |
| 35* | 50180520S | SPRING RETAINER M57,5X1 +SCREW | 1 |
| 36 | 50180327 | AH SCREW M5X30 DIN912 | 1 |
| 37 | 50180114 | INTERM.RING SCREW SPRING RET. | 2 |
| 40 | 91210053S | SPRING 250 63N/MM ORANGE | x |
| 40 | 91210054S | SPRING 250 66N/MM ORANGE | x |
| 40 | 91210055S | SPRING 250 60N/MM ORANGE | x |
| 40* | 91210068S | SPRING 250 69N/MM ORANGE | x |
| 40* | 91210069S | SPRING 250 72N/MM ORANGE | x |
| 42 | 50180273 | CIRCLIP 58,2X2 | 1 |
| 43 | 50180463S | SPRING RET. D=80 W. O-RING 05 | 1 |
| 44 | 50180352 | O-RING VITON 66,27X3,53 | 1 |
| 45 | 50180141 | PISTON ROD NUT M16X1 | 1 |
| 46 | 50180099 | O-RING VITON 44,17X1,78 | 2 |
| 47 | 50180135 | PISTON RING 50-8 | 2 |
| 49 | 50180446 | PISTON 6+6X3,5/4,5 | 1 |
| 51* | 50180601 | HOLDER D=16 M16X1 L=44 08 | 1 |
| 52* | 50180210 | WASHER 16X21X1 | 1 |
| 57 | 50180516 | REBOUND DISC D=34, H=5 | 1 |
| 58 | 50180311 | PISTON 6+6X7/4,5 VB 1,0 | 1 |
| 70 | 50180513 | NEEDLE L=171 | 1 |
| 71 | 46811265 | O-RING VITON 2,2X1,6 | 1 |
| 72* | 50180603S | ADAPTOR CPL. D=50 H=28 08 | 1 |
| 73 | 50180113 | STEEL DISC 18X,5X43,7X6 | 1 |
| 74 | 50180107 | REBOUND RUBBER | 1 |
| 75* | 50180604 | SHIM D29,75 X D19 X T0,4 08 | 1 |
| 76* | 50180605S | SEAL D18X30X5 08 | 1 |
| 79 | 50180103 | O-RING 41X5 | 1 |

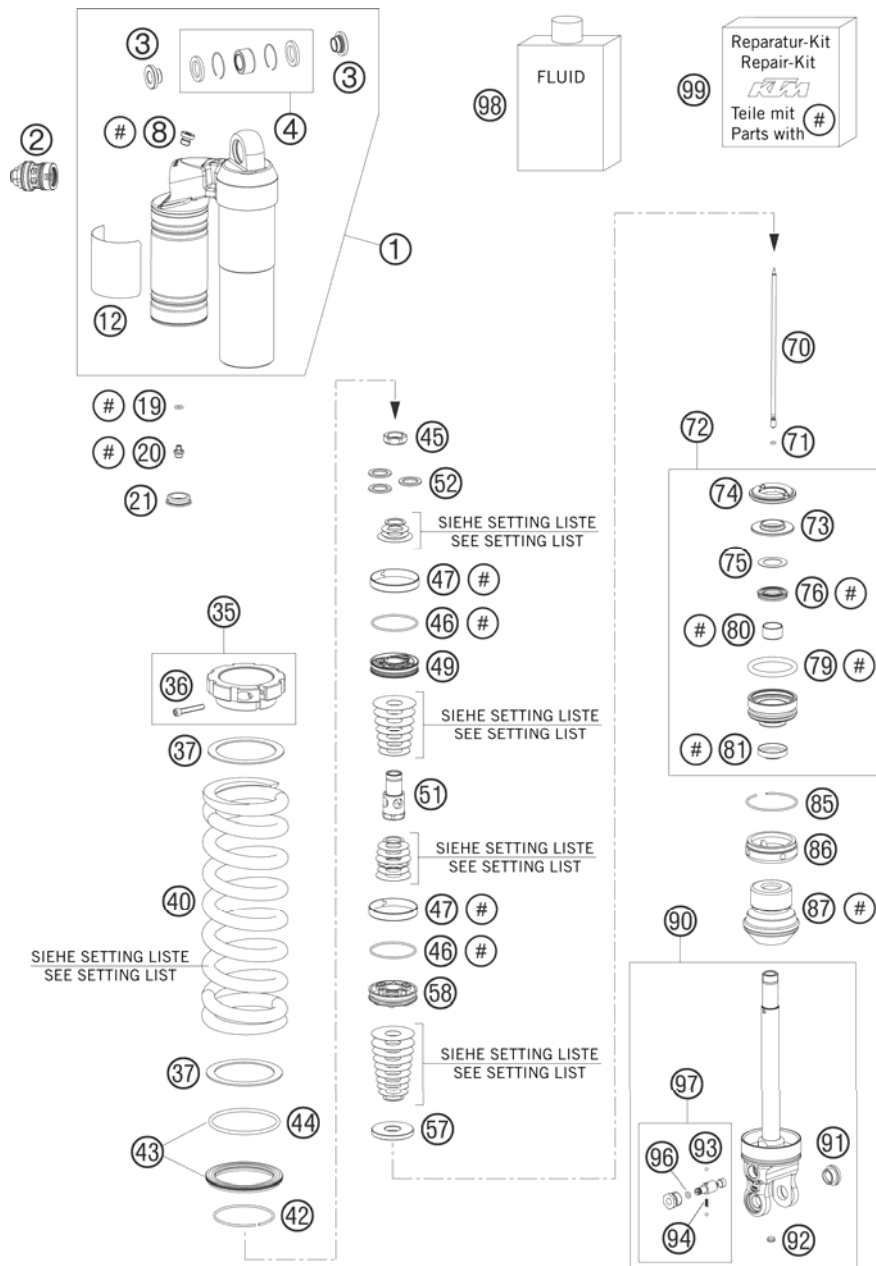
087800430 / C087800433

* NEW PART

X AS REQUIRED

MONOSHOCK DISASSEMBLED

250 EXC EU 2008



| FIG | PART NUMBER | DESCRIPTION | QTY |
|-----|-------------|--------------------------------|-----|
| 80 | 46180119 | DU-BUSH 18X20X12 | 1 |
| 81* | 50180606 | DUST SEAL 1828 08 | 1 |
| 85 | 50180126 | CIRCLIP 53X1,75 | 1 |
| 86 | 50180511 | COVER D=50 07 | 1 |
| 87 | 50180480 | BUMP RUBBER D58 D17 H59 SXS 05 | 1 |
| 90 | 50180512S1 | MONOSHOCK LOWER PART CPL. 07 | 1 |
| 91 | 50180105 | THREADED BUSH M12 PDS | 1 |
| 92 | 50180297 | RUBBER PLUG D=8 | 1 |
| 93 | 40540603 | STEEL BALL D=3MM | 2 |
| 94 | 48600028 | SPRING D=2,9 L=7,9 | 1 |
| 96 | 50180222 | O-RING NBR 4X1,5 | 1 |
| 97 | 50180434S | ADJUSTING SCREW REBOUND TRAVEL | 1 |
| 98 | 50180342S1 | SHOCK ABSORBER FLUID 5 LT '03 | 1 |
| 99* | R12014 | REPAIR KIT 5018 PDS 06 | 1 |

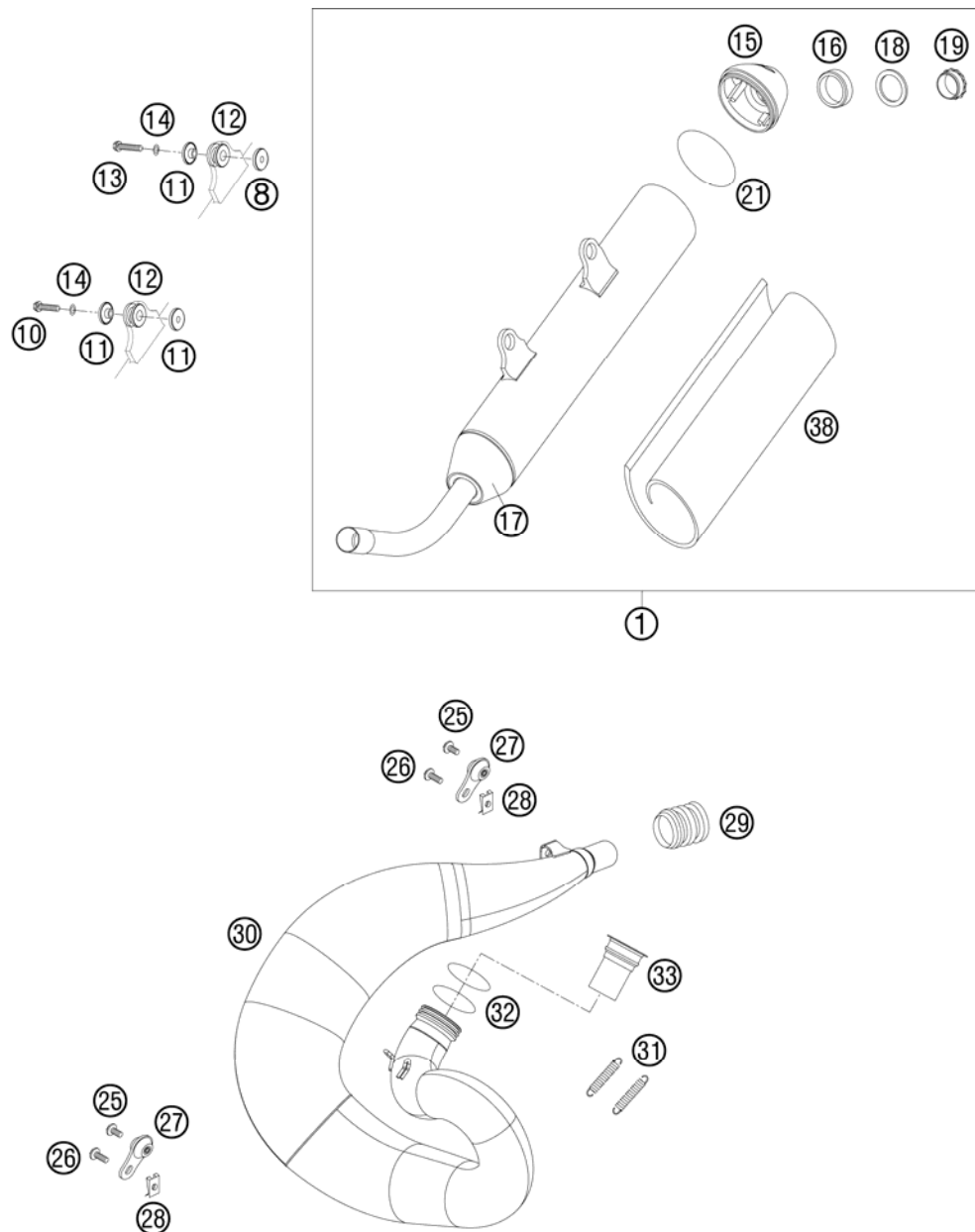
087800430 / C087800433

* NEW PART

X AS REQUIRED

EXHAUST SYSTEM

250 EXC EU 2008

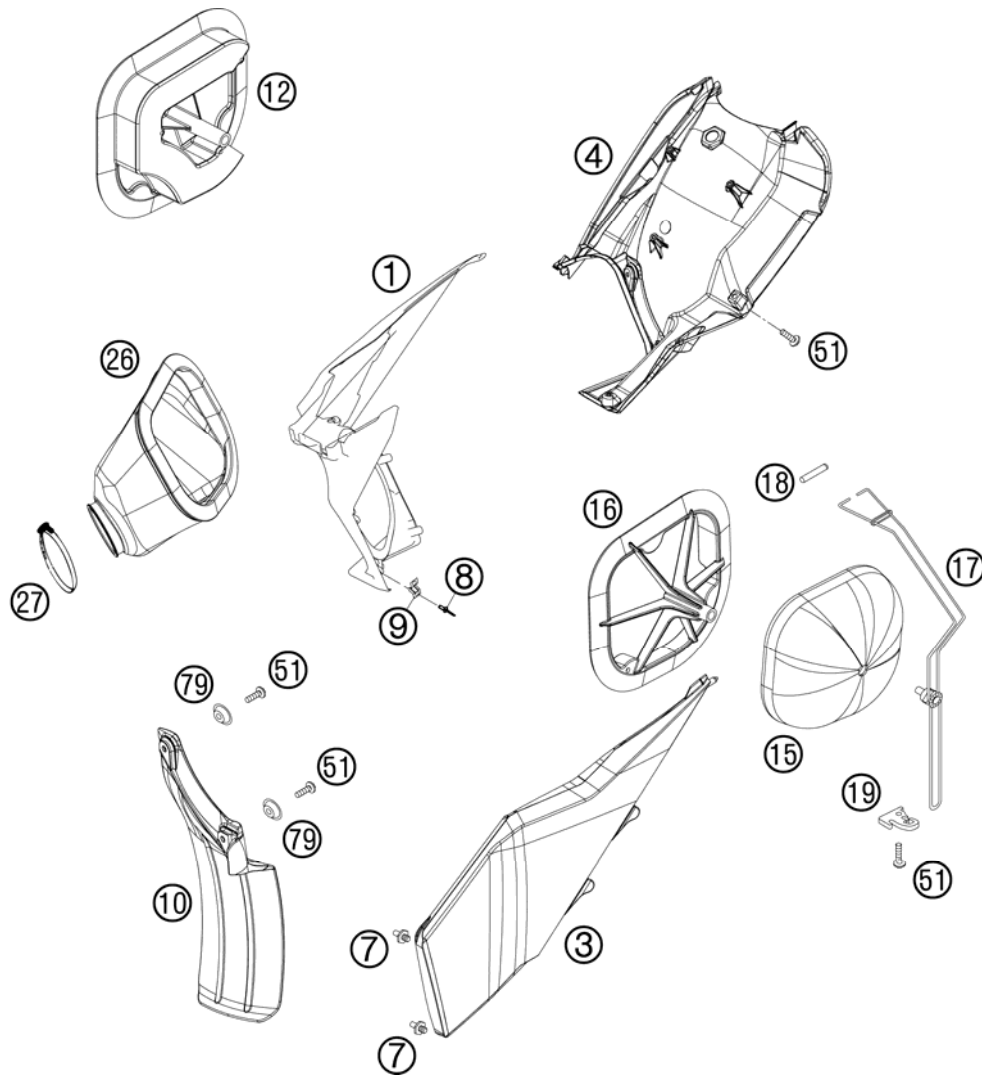


| FIG | PART NUMBER | DESCRIPTION | QTY |
|-----|-------------|--------------------------------|-----|
| 1 | 54805083100 | EXH. SILENCER CPL. EXC 06 | 1 |
| 8* | 59405169000 | BUSHING SIL.-SMR REAR 2004 | 1 |
| 10* | 0025060356 | HH COLLAR SCREW M6X35 TX30 | 1 |
| 11* | 77305069000 | BUSHING 7.5x12x28x7.6 07 | 3 |
| 12 | 54605068000 | EXHAUST BRACKET RUBBER BLACK | 2 |
| 13* | 0025060406 | HH COLLAR SCREW M6X40 TX30 | 1 |
| 14 | 0137060003 | SPRING WASHER DIN0137-B 6 | 2 |
| 15 | 54805079052 | SILENCER ENDCAP 2-STROKE 2004 | 1 |
| 16 | 54805079150 | SILENCER RUBBER 2-STROKE 2005 | 1 |
| 17 | 54805079060 | SILENCER CONNECTING-CAP 2004 | 1 |
| 18 | 54805083060 | SILENCER DISC 2004 | 1 |
| 19 | 54805079058 | SILENCER SCREW 2-STROKE 2004 | 1 |
| 21 | 0770055020 | O-RING 55,00X2,00 NBR70 | 2 |
| 25* | 0024060106 | HH COLLAR SCREW M6X10 TX30 | 2 |
| 26* | 0024060156 | HH COLLAR SCREW M6X15 TX30 | 2 |
| 27 | 50305012000 | SWINGELEMENT FOR EXHAUST PIPE | 2 |
| 28 | 54603048100 | RANGE CHANGE METAL NUT M6 | 2 |
| 29 | 54605157000 | SILICON SLEEVE D=25/27MM | 1 |
| 30* | 54805009200 | EXHAUST 250/300 EU/AUS CPL. 08 | 1 |
| 31 | 50305016000 | TEN.SPRING L=62MM EY.MOVEABLE | 2 |
| 32 | 0770440030 | O-RING 44,00X3,00 VITON | 2 |
| 33* | 54805009180 | CATALYST + BRACKET FRONT 08 | 1 |
| 38 | 54805078450 | STUFFING YARN-SET 450 GRAM 04 | 1 |

085480511 / C085480511

* NEW PART

X AS REQUIRED



| FIG | PART NUMBER | DESCRIPTION | QTY |
|-----|---------------|--------------------------------|-----|
| 1* | 7730600101030 | FILTER WALL SX BLACK 07 | 1 |
| 3* | 7730600300030 | FILTER BOX COVER SX BLACK 07 | 1 |
| 4* | 77306001020 | REAR PART FILTER BOX 07 | 1 |
| 7 | 54806008051 | QUICK RELEASE-NIPPLE 03 | 2 |
| 8 | 54806108052 | BLIND RIVET 3,3X9,7 GROOVED 04 | 4 |
| 9 | 54806008050 | QUICK RELEASE-SPRING HANGER | 2 |
| 10* | 77306010000 | FENDER FOR FILTER BOX | 1 |
| 12* | 78006012000 | THROTTLE CAP CPL. EXC 08 | 1 |
| 15* | 77306015000 | AIR FILTER 07 | 1 |
| 16* | 54806416000 | FILTER CARRIER 2S SX 07 | 1 |
| 17* | 77306017000 | FILTER SUPPORT CPL. 07 | 1 |
| 18* | 77306018000 | FILTER SUPPORT BUSH 07 | 1 |
| 19* | 77306019000 | FASTEN. DEVICE FILTER S. SX 07 | 1 |
| 26 | 54806426000 | CABURETOR CONNECTING 2S 07 | 1 |
| 27 | 51006027000 | HOSE CLAMP 50-70MM | 1 |
| 51* | 0017060204 | EJOT PT SCREW K60X20 ALU WS=6 | x |
| 79* | 77304066050 | BUSHING F. CHAIN SLIDING PR.07 | 2 |

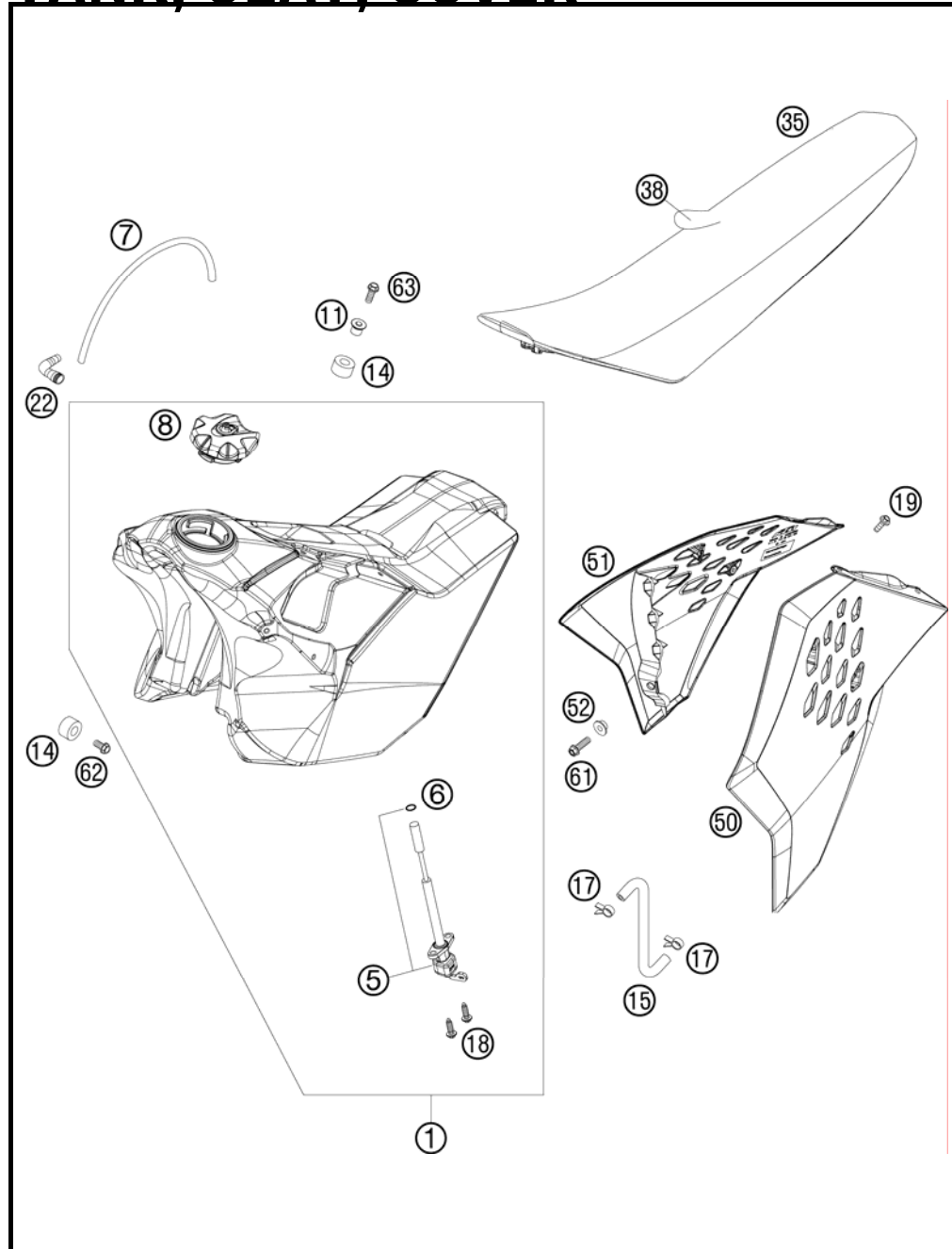
085030610 / C085030611

* NEW PART

X AS REQUIRED

TANK, SEAT, COVER

250 EXC EU 2008

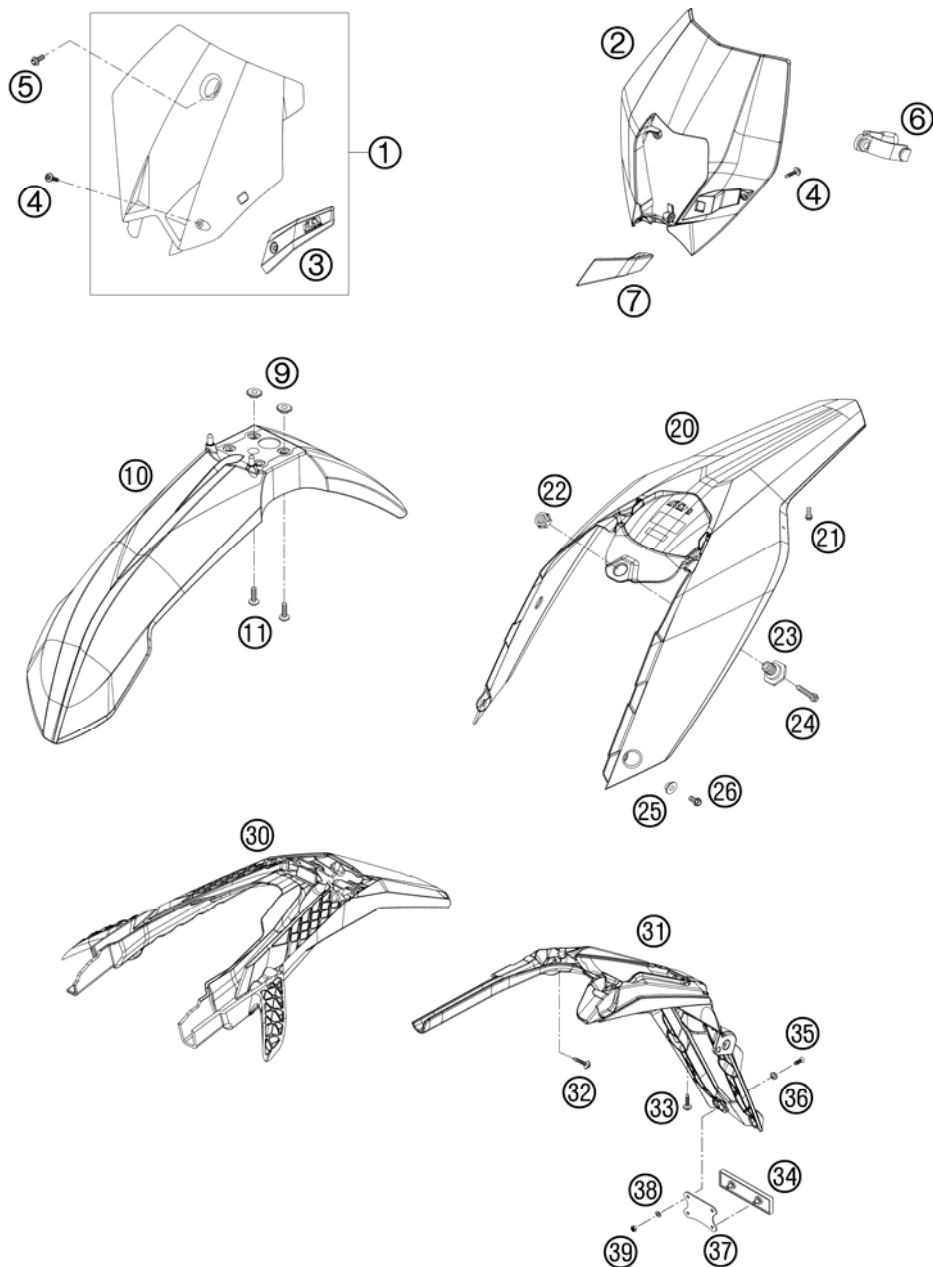


| FIG | PART NUMBER | DESCRIPTION | QTY |
|-----|----------------|-------------------------------|--------|
| 1* | 7700721306630 | FUEL TANK CPL. 9,5L EXC | 08 1 |
| 5 | 54807004000 | GAS COCK ON/OFF/RES | 03 1 |
| 6 | 0770110021 | O-RING 11X2 VITON | 1 1 |
| 7* | 78007000270 | PVC-HOSE 5,6X10X270MM | x 1 |
| 8* | 7800700804404 | TANK PLUG CPL. XCF-W | 08 1 |
| 11* | 77307026000 | TANK BUSHING | 07 1 |
| 14 | 50307014000 | TANK ROLLER 12X26X12 | '98 3 |
| 15* | 54807016100 | FUEL HOSE 2ST EXC | 08 1 |
| 17 | 58031005000 | CLAMP YDNAC 10128 12MM | 2 2 |
| 18 | 0017060203 | EJOT PT SCREW K60X20 | WS=6 2 |
| 19* | 0017060204 | EJOT PT SCREW K60X20 ALU | WS=6 8 |
| 22 | 51030022000 | ANGLE PIECE 90 DEGREE M10X1 | 1 1 |
| 35* | 77307040000 | SEAT SX | 07 1 |
| 38* | 77307040050 | SEAT COVER | 07 1 |
| 50* | 7730805000030D | SPOILER L/S BLACK EXC | 08 1 |
| | | WITH DECAL | |
| 51* | 7730805100030D | SPOILER R/S BLACK EXC | 08 1 |
| | | WITH DECAL | |
| 52 | 50308052000 | BUSH FOR SPOILER 6X11X16X5 MM | 2 2 |
| 61* | 0025060206 | HH COLLAR SCREW M6X20 | TX30 4 |
| 62* | 0025060126 | HH COLLAR SCREW M6X12 | TX30 2 |
| 63* | 0024060273 | COLLAR SCREW M6X27 | TX 1 |

085030710 / C085030711

* NEW PART

X AS REQUIRED



| FIG | PART NUMBER | DESCRIPTION | QTY |
|-----|---------------|--------------------------------|-----|
| 1* | 7730800704404 | NUMBER PLATE CPL. ORANGE 07 | 1 |
| 2* | 7800800100004 | HEAD LIGHT MASK ORANGE 08 | 1 |
| 3* | 7730802200004 | BRAKE HOSE GUIDE ORANGE 07 | 1 |
| 4 | 0017060204 | EJOT PT SCREW K60X20 ALU WS=6 | 2 |
| 5* | 0024060106 | HH COLLAR SCREW M6X10 TX30 | 1 |
| 6 | 50211086000 | MASK RUBBER UFO WP '95 | 2 |
| 7* | 7800802200004 | BRAKE HOSE GUIDE ORANGE 08 | 1 |
| 9 | 54808020000 | SPACER BUSHING 03 | 4 |
| 10* | 7730801000004 | FRONT FENDER 07 | 1 |
| 11* | 0024060206 | HH COLLAR SCREW M6X20 TX30 | 4 |
| 20* | 7800801300004 | REAR PART EXC ORANGE 08 | 1 |
| 21* | 0025050206 | HH COLLAR SCREW M5X20 TX30 | 2 |
| 22 | 50314057050 | COLLAR NUT M12X1/WS17 H=5MM | 1 |
| 23 | 54807048000 | BUSHING FOR SEAT FASTENING 03 | 1 |
| 24* | 0025060256 | HH COLLAR SCREW M6X25 TX30 | 1 |
| 25 | 50308052000 | BUSH FOR SPOILER 6X11X16X5 MM | 2 |
| 26* | 0025050166 | HH COLLAR SCREW M5X16 TX30 | 2 |
| 30* | 78008016000 | NUMBER PL. CARRIER TOP PART 08 | 1 |
| 31* | 78008016050 | NUMBER PL. CARRIER LOW PART 08 | 1 |
| 32* | 0017060303 | SPECIAL SCREW T60 6X30 WS=6 | 2 |
| 33 | 0017060203 | EJOT PT SCREW K60X20 WS=6 | 2 |
| 34 | 58412080000 | REFLECTOR RED LC4 '98 | 1 |
| 35 | 0966050163 | OVAL HEAD SCREW DIN0966-M 5X16 | 2 |
| 36 | 40006006000 | WASHER 6MM | 2 |
| 37 | 58412080050 | BRACKET FOR REFLECTOR | 1 |
| 38 | 0125050003 | WASHER DIN0125-A 5,3 | 2 |
| 39 | 0985050003 | SELF LOCKING NUT DIN0985-M 5 | 2 |

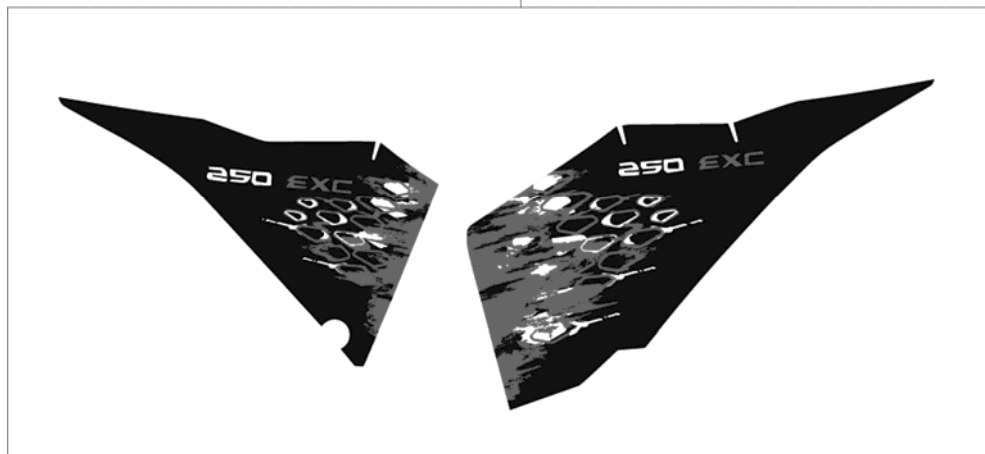
085030811 / C085030811

* NEW PART

X AS REQUIRED

| FIG | PART NUMBER | DESCRIPTION | QTY |
|-----|-------------|-------------------------------|-----|
| 2* | 54808291900 | DISPLACEM. STICKER 250 EXC 08 | 1 |

②



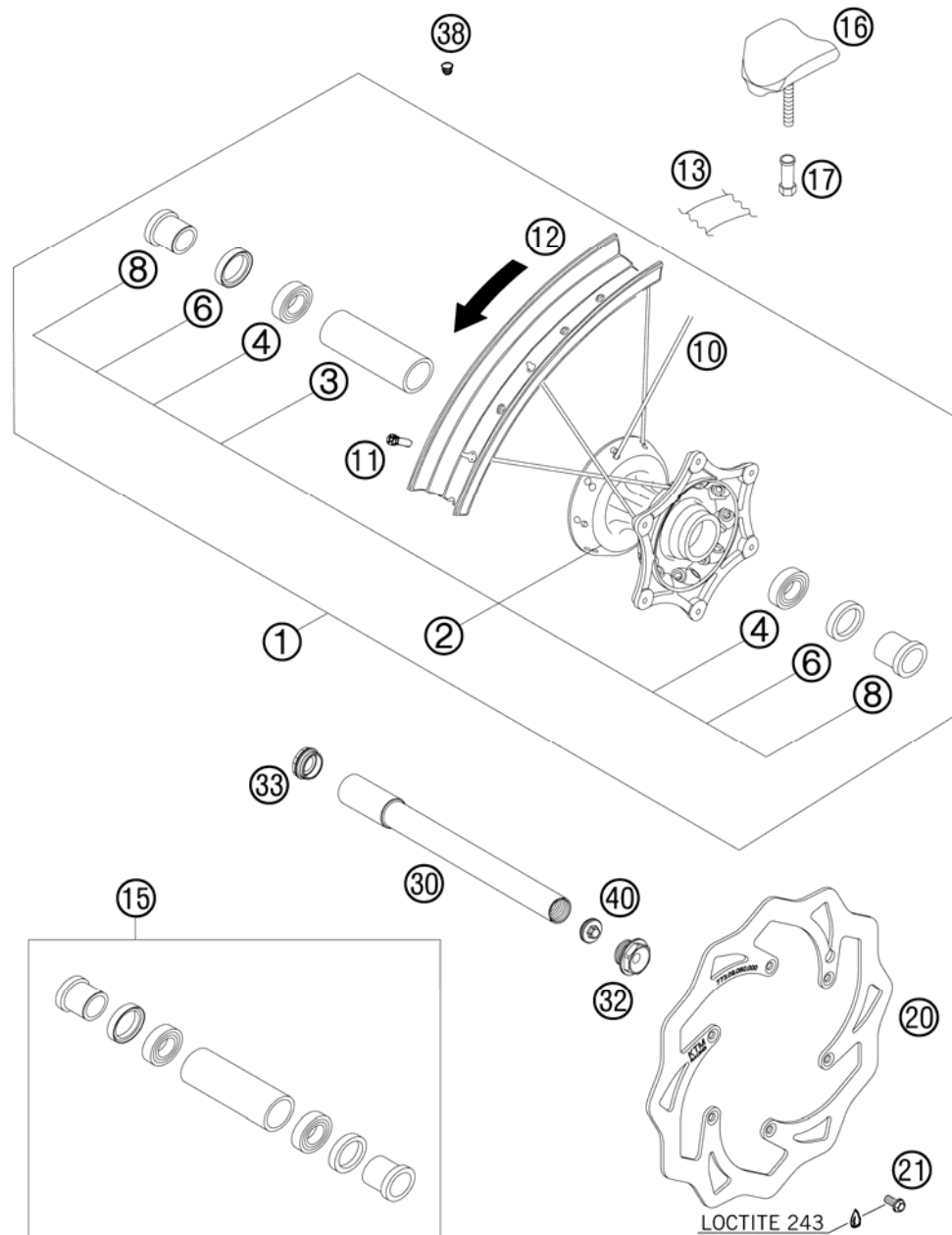
085480832 / C085480832

* NEW PART

X AS REQUIRED

FRONT WHEEL

250 EXC EU 2008



| FIG | PART NUMBER | DESCRIPTION | QTY |
|-----|---------------|--------------------------------|-----|
| 1* | 7800900104430 | FRONT WHEEL.1,6X21"EXCEL 08 | 1 |
| 2* | 78009010044 | FRONT WHEEL HUB CPL. 08 | 1 |
| 3 | 54809011000 | BEA.SPACERTUBE 35X2 L=79,4 03 | 1 |
| 4 | 0625069068 | GR.BALL BEAR.6906 DDU2CG23S6NM | 2 |
| 6 | 0760354771 | SHAFT SEAL RING 35X47X7 TC | 2 |
| 8* | 78009012000 | SPACER BUSHING F. FR. WHEEL 08 | 2 |
| 10* | 78009074226 | SPOKE M4,5X226-21" 08 | 36 |
| 11* | 50309072100 | SPOKE NIPPLE M4,5X0,75 8X21 | 36 |
| 12 | 5480907000030 | FRONT RIM 1,6X21" EXCEL AL7 | 1 |
| 13 | 50309073000 | RIM BAND 21" | 1 |
| 15* | 78009015000 | FRONT WHEEL REP. KIT | x |
| 16 | 51009100100 | RIM LOCK VM1 (1,60") | 1 |
| 17 | 50310090050 | NUT FOR WHEEL HOLDER '96 | 1 |
| 20 | 77309060000 | BRAKE DISC FRONT 260 | 1 |
| 21 | 59009062013 | SPECIAL SCREW M6X13 WS=8 10.9 | 6 |
| 30 | 77309081000 | WHEEL SPIN.FR. D=26 M24x1,5 07 | 1 |
| 32 | 54809082000 | SPINDLE SCREW M24X1,5 WS=27 03 | 1 |
| 33 | 54809081050 | PLUG BUSHING WS=27 03 | 1 |
| 38 | 55003135000 | PLUG FOR RIM | x |
| 40 | 54809081070 | AUXILIARY SCREW FRONT 06 | 1 |

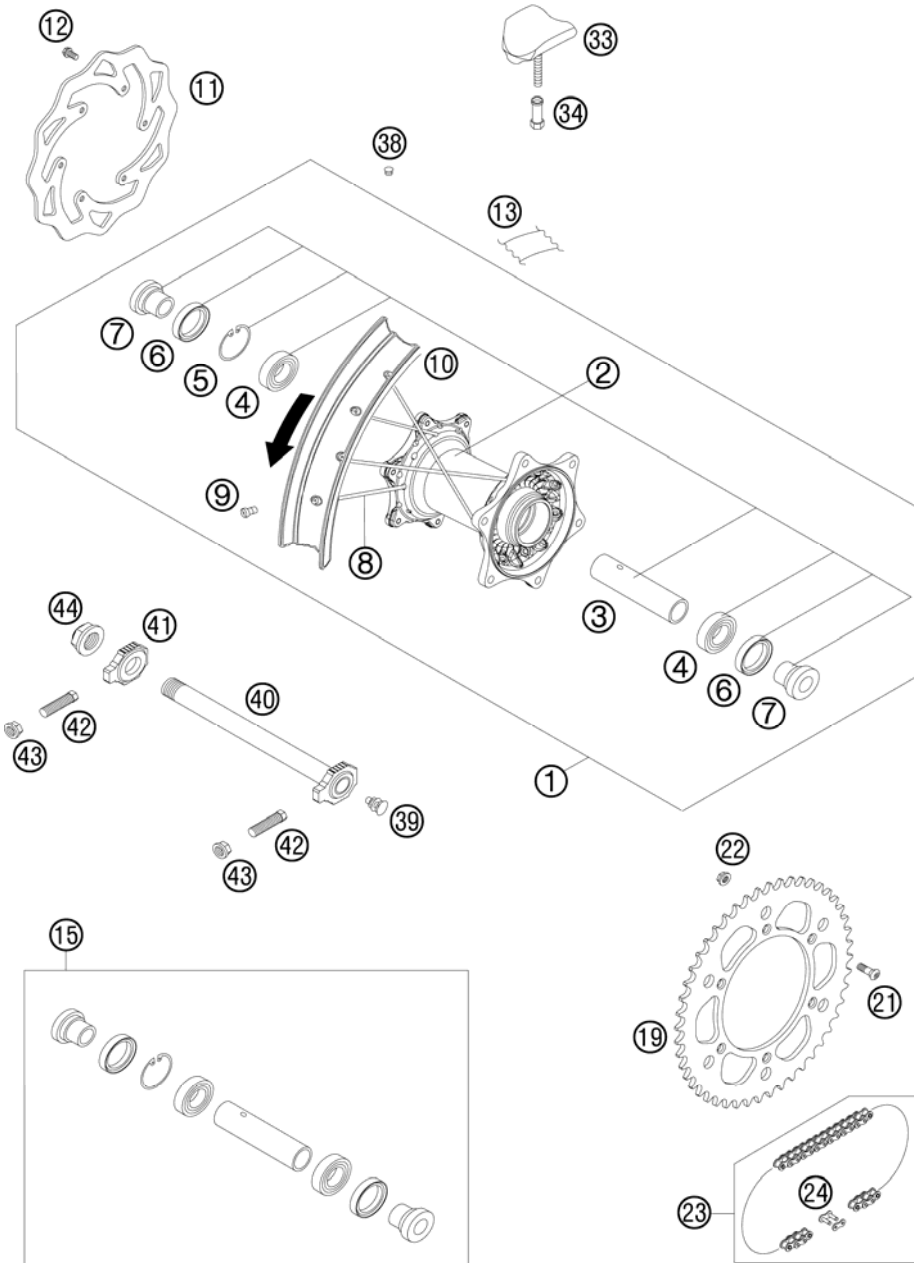
085030910 / C085030911

* NEW PART

X AS REQUIRED

REAR WHEEL

250 EXC EU 2008



| FIG | PART NUMBER | DESCRIPTION | QTY |
|-----|---------------|--------------------------------|-----|
| 1* | 7801000104430 | REAR WHEEL 2,15X18"EXCEL 08 | 1 |
| 2* | 78010010044 | REAR HUB CPL. 08 | 1 |
| 3 | 59010011000 | BUSHING SPACER TUBE 121,5MM 01 | 1 |
| 4 | 0625060058 | GR.BALL BEAR.6005 DDU2CG23S6NM | 2 |
| 5 | 0472047175 | CIRCLIP DIN0472-47X1,75 | 1 |
| 6 | 0760324771 | SHAFT SEAL RING 32X47X7 BSL | 2 |
| 7* | 78010016000 | BUSHING FOR HUB 08 | 2 |
| 8* | 78010074193 | SPOKE M5X193- 18" 08 | 36 |
| 9 | 58309072000 | SPOKE NIPPLE M5-TA (8X21MM) | 36 |
| 10 | 5481007000030 | REAR RIM 2,15X18" EXCEL AL7 | 1 |
| 11* | 77310060100 | BRAKE DISC REAR 220 | 1 |
| 12 | 59009062013 | SPECIAL SCREW M6X13 WS=8 10.9 | 6 |
| 13 | 50310073200 | RIM BAND 18" AND 19" | 1 |
| 15* | 78010015000 | REAR WHEEL REP. KIT | x |
| 19 | 58310051038 | REAR SPROCKET 38-T | x |
| 19 | 58310051042 | REAR SPROCKET 42-T | x |
| 19 | 58310151040 | REAR SPROCKET 40-T | x |
| 19 | 58310151045 | REAR SPROCKET 45-T | x |
| 19 | 58310151048 | REAR SPROCKET 48-T | x |
| 19 | 58310151049 | REAR SPROCKET 49-T | x |
| 19 | 58310151050 | REAR SPROCKET 50-T | x |
| 19 | 58310151051 | REAR SPROCKET 51-T | x |
| 19 | 58310151052 | REAR SPROCKET 52-T | x |
| 21* | 0019080266S | COUNTER-SUNK SCREW ISA45 M8X26 | 6 |
| 22 | 54310086200 | SELF LOCKING NUT M8 10.9 | 6 |
| 23 | 50310165118 | CHAIN 5/8X1/4" MX | 1 |
| 23 | 50310800118 | CHAIN Z-RING 5/8X1/4" | 1 |
| 24 | 50310166000 | CONNECTING LINK F. 50310165118 | 1 |
| 24 | 50310366000 | CONNECTING LINK F. 50310800118 | 1 |
| 24 | 50310866000 | MASTER LINK FOR 50310800118 | 1 |
| 33 | 54010100100 | RIM LOCK VM3 (2.15") | 2 |
| 34 | 50310090050 | NUT FOR WHEEL HOLDER '96 | 2 |
| 38 | 55003135000 | PLUG FOR RIM | x |
| 39 | 50210086000 | COVERING CAP SFL16 | x |
| 40 | 77310085044 | WHEEL SPINDLE RE. CPL.265MM 07 | 1 |
| 41 | 50310084000 | CHAIN TENSIONER R/S 2000 | 1 |

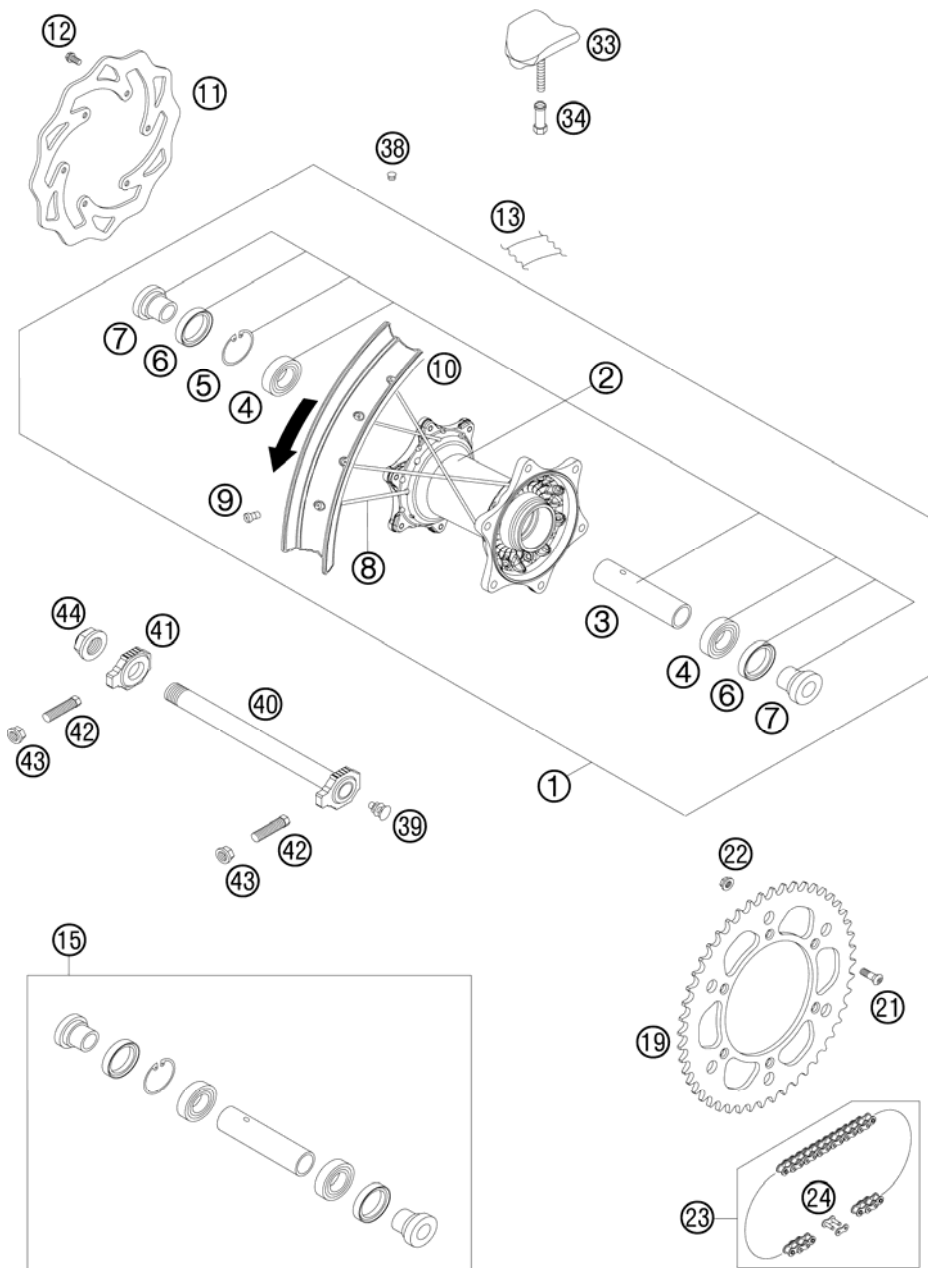
085481010 / C085031011

* NEW PART

X AS REQUIRED

REAR WHEEL

250 EXC EU 2008



| FIG | PART NUMBER | DESCRIPTION | QTY |
|-----|-------------|------------------------------|-----|
| 42 | 50304040100 | SCREW M10X1,25X50 WS=10 | 2 |
| 43 | 58414030000 | HH COLLAR NUT M10X1,25 WS=13 | 2 |
| 44 | 50310099000 | HEXAGON NUT M20X1,5 '98 | 1 |

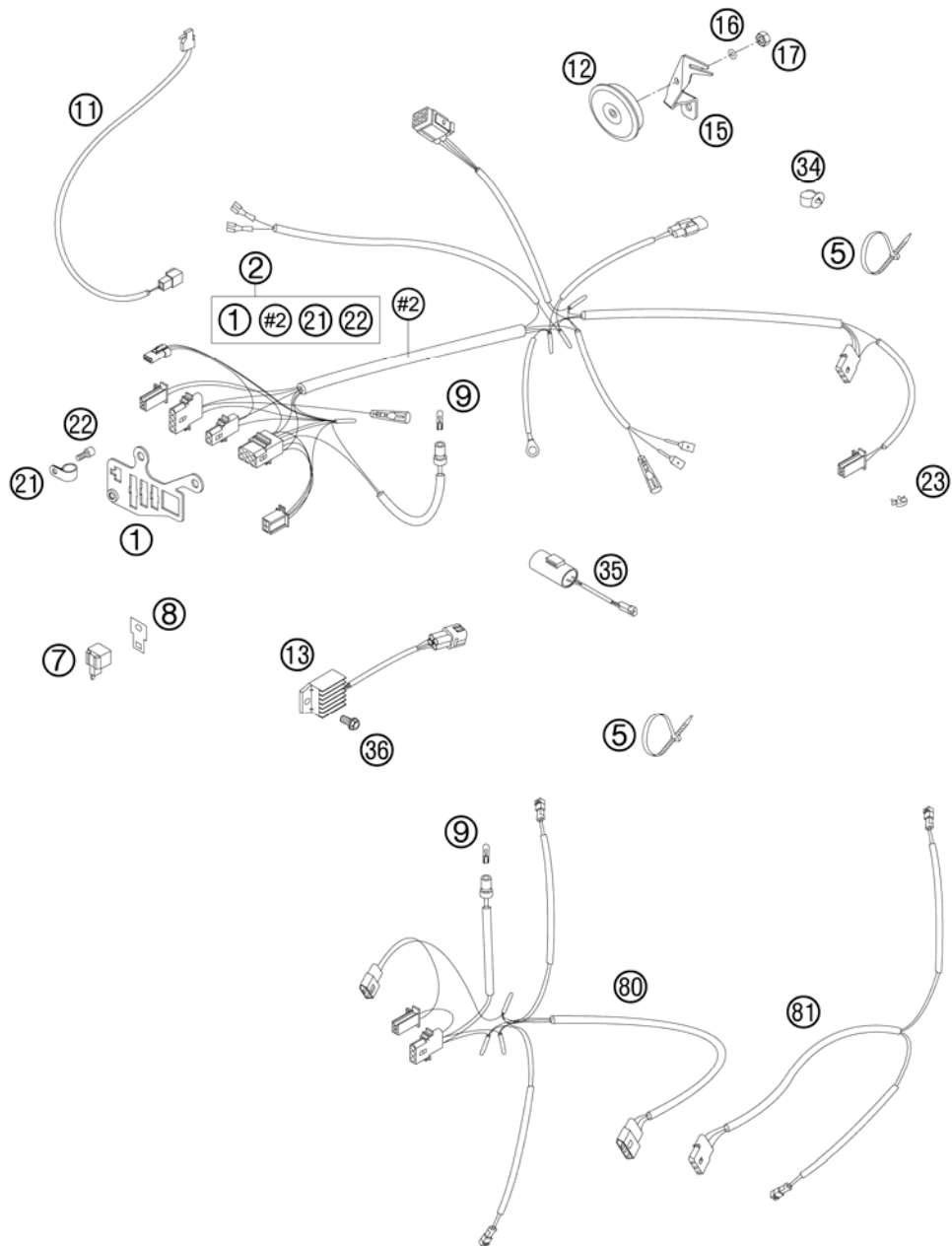
085481010 / C085031011

* NEW PART

X AS REQUIRED

WIRING HARNESS

250 EXC EU 2008



| FIG | PART NUMBER | DESCRIPTION | QTY |
|-----|-------------|--------------------------------|-----|
| 1 | 54811083100 | SUPPORT BRACKET EXC 2005 | 1 |
| 2 | 54811075350 | WIRING HARNESS EXC-EU/AUS 06 | 1 |
| 5 | 44011076200 | CABLE TIE 200/3,6MM BLACK | x |
| 5 | 44011076305 | CABLE TIE 300/4,8MM BLACK | 1 |
| 7 | 44611207200 | FLASHER UNIT 97 | 1 |
| 8 | 58211031100 | BRACKET FOR FLASHER RELAISE | 1 |
| 9 | 49111425000 | BULB 12V 1,2W (W2X4,6D) | 2 |
| 11 | 50311050100 | BRAKE LIGHT SWITCH FRONT 2002 | 1 |
| 12* | 50311060200 | DC HORN 12V 07 | 1 |
| 13 | 80011034000 | VOLTAGE REGULATOR 04 | 1 |
| 15* | 78011061000 | HORN BRACKET EXC 08 | 1 |
| 16* | 0125050003 | WASHER DIN0125-A 5,3 | 1 |
| 17* | 0934050003 | HEXAGON NUT DIN0934-M 5 | 1 |
| 21 | 57013070000 | PVC-CLAMP 7/16" HEYCO 3377 | 1 |
| 22 | 0912050083 | AH SCREW DIN 912 M 5X8 | 1 |
| 23 | 57013072000 | WIRING HOLDER 12MM | x |
| 23 | 57013072100 | WIRING HOLDER 16MM | x |
| 34 | 58111076000 | CABLE SUPPORT KHS NR.150-47610 | 1 |
| 35 | 50311035000 | CONDENSATOR 2200MF ADP-48 2000 | 1 |
| 36* | 0025060106 | HH COLLAR SCREW M6X10 TX30 | 1 |
| 80 | 59011080100 | FLASH. WIRINGHARNESS FRONT 06 | 1 |
| 81 | 59011081100 | FLASH. WIRINGHARNESS REAR 06 | 1 |

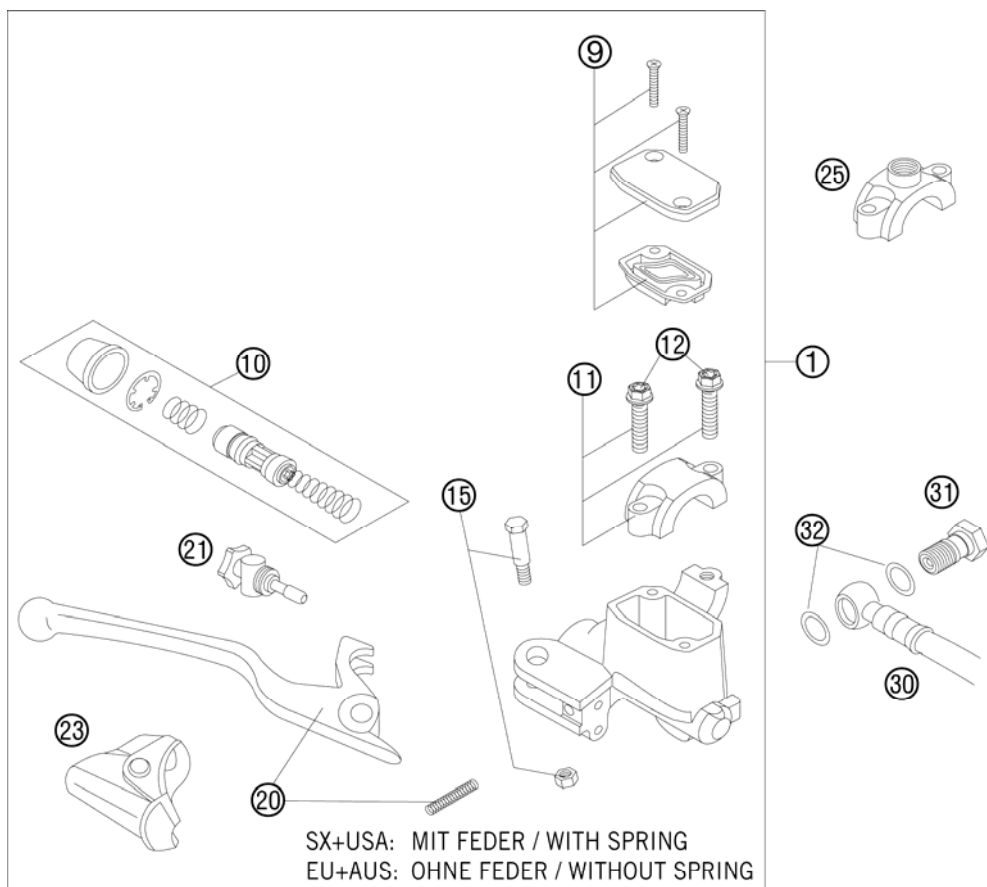
085031110 / C085031110

* NEW PART

X AS REQUIRED

HAND BRAKE CYLINDER

250 EXC EU 2008

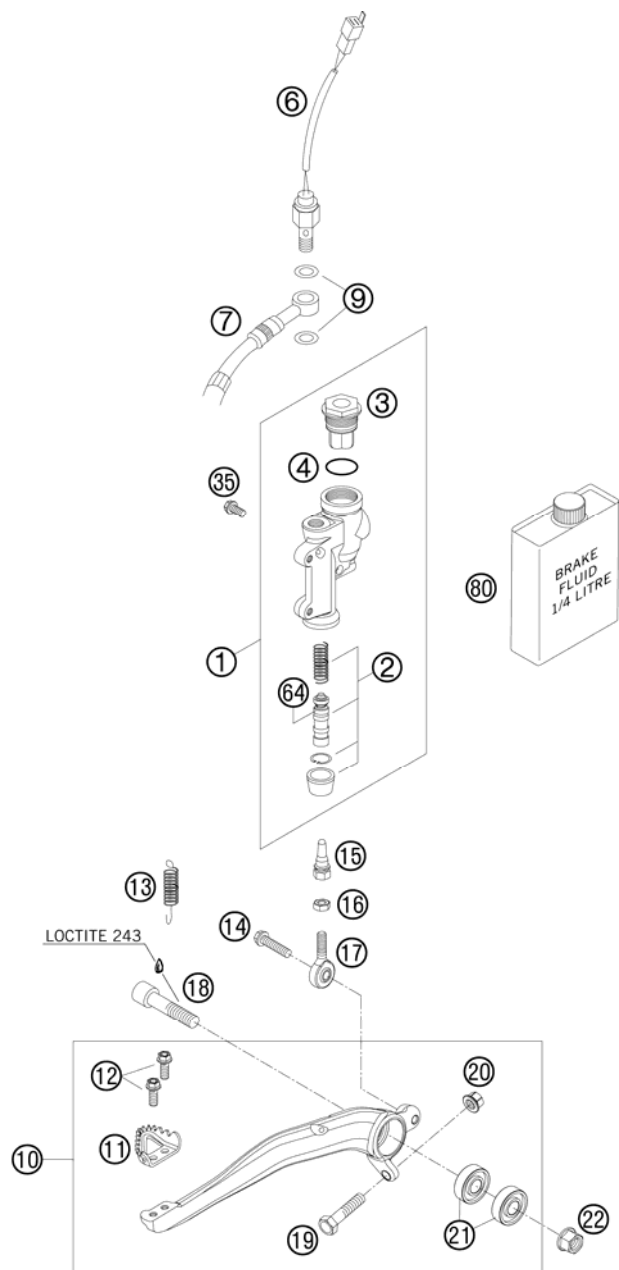


| FIG | PART NUMBER | DESCRIPTION | QTY |
|-----|-------------|--------------------------------|-----|
| 1 | 54813001300 | HAND BRAKE CYLINDER CPL.EXC 06 | 1 |
| 9 | 50313003000 | HANDBRAKE CYL.COVER CPL.NATURE | 1 |
| 10 | 54813008200 | REP.SET PISTON D=10MM 2006 | 1 |
| 11 | 50313005000 | CLAMP CPL. NATURE | 1 |
| 12* | 0025060256 | HH COLLAR SCREW M6X25 TX30 | 2 |
| 15 | 50313006100 | LEVER SCREW CPL. 2001 | 1 |
| 20 | 54813002100 | HAND BRAKE LEVER + SPRING 2006 | 1 |
| 21 | 54813007200 | ADJUSTING SCREW CPL. EXC 2006 | 1 |
| 23 | 50313004000 | PROTECTION CAP HAND BRAKE CYL. | 1 |
| 25 | 58012040150 | CLAMP FOR MIRROR '94 | x |
| 30 | 59013011000 | BRAKEHO. FRONT 1300MM 2000 | 1 |
| 31 | 50213025000 | HOLLOW SCREW M10X1X19 | 1 |
| 32 | 0603100141 | COPPER GASKET DIN7603-10X14X1 | 2 |
| 80 | 00062030000 | BRAKE FLUID DOT5.1 0,25L | 1 |

085481300 / C085031310

* NEW PART

X AS REQUIRED



| FIG | PART NUMBER | DESCRIPTION | QTY |
|-----|-------------|-------------------------------|-----|
| 1 | 54813060100 | REAR BRAKE CYLINDER CPL. 2004 | 1 |
| 2 | 54813061200 | REPAIR KIT PISTON 13MM 06 | 1 |
| 3 | 54813062100 | REAR BRAKE CYL. COVER CPL. 04 | 1 |
| 4 | 54813063000 | FOOT-BRAKE CYL. GASKET SX 03 | 1 |
| 6 | 50311051100 | BRAKE LIGHT SWITCH REAR '98 | 1 |
| 7 | 54813070000 | BRAKE HOSE REAR 655MM 03 | 1 |
| 9 | 0603100141 | COPPER GASKET DIN7603-10X14X1 | 2 |
| 10* | 77313050044 | FOOT BRAKE LEVER CPL. 07 | 1 |
| 11 | 54813051000 | STEP PLATE FOR BRAKE LEVER | 1 |
| 12* | 0025050126 | HH COLLAR SCREW M5x12 TX30 | 2 |
| 13 | 54603062000 | RETURN SPRING FOR BRAKE LEVER | 1 |
| 14* | 0025060206 | HH COLLAR SCREW M6X20 TX30 | 1 |
| 15 | 54813056000 | PUSH ROD L=28MM 03 | 1 |
| 16 | 0934060003 | HEXAGON NUT DIN0934-M 6 | 1 |
| 17 | 54813055000 | SWIVEL HEAD KA6 03 | 1 |
| 18 | 0912100406 | AH SCREW DIN6912 M10X40 10.9 | 1 |
| 19 | 59001037000 | SPECIAL SCREW M8X26 WS=10 | 1 |
| 20 | 46030045000 | COLLAR NUT M8 WS=10 | 1 |
| 21 | 0625060002 | BALL BEARING SKF 6000-2RS1 | 2 |
| 22 | 54630044000 | COLLAR NUT M10 WS=13 | 1 |
| 35* | 0025060126 | HH COLLAR SCREW M6X12 TX30 | 2 |
| 64 | 54813064200 | BELLOWS FOR REPAIR KIT 06 | 1 |
| 80 | 00062030000 | BRAKE FLUID DOT5.1 0,25L | 1 |

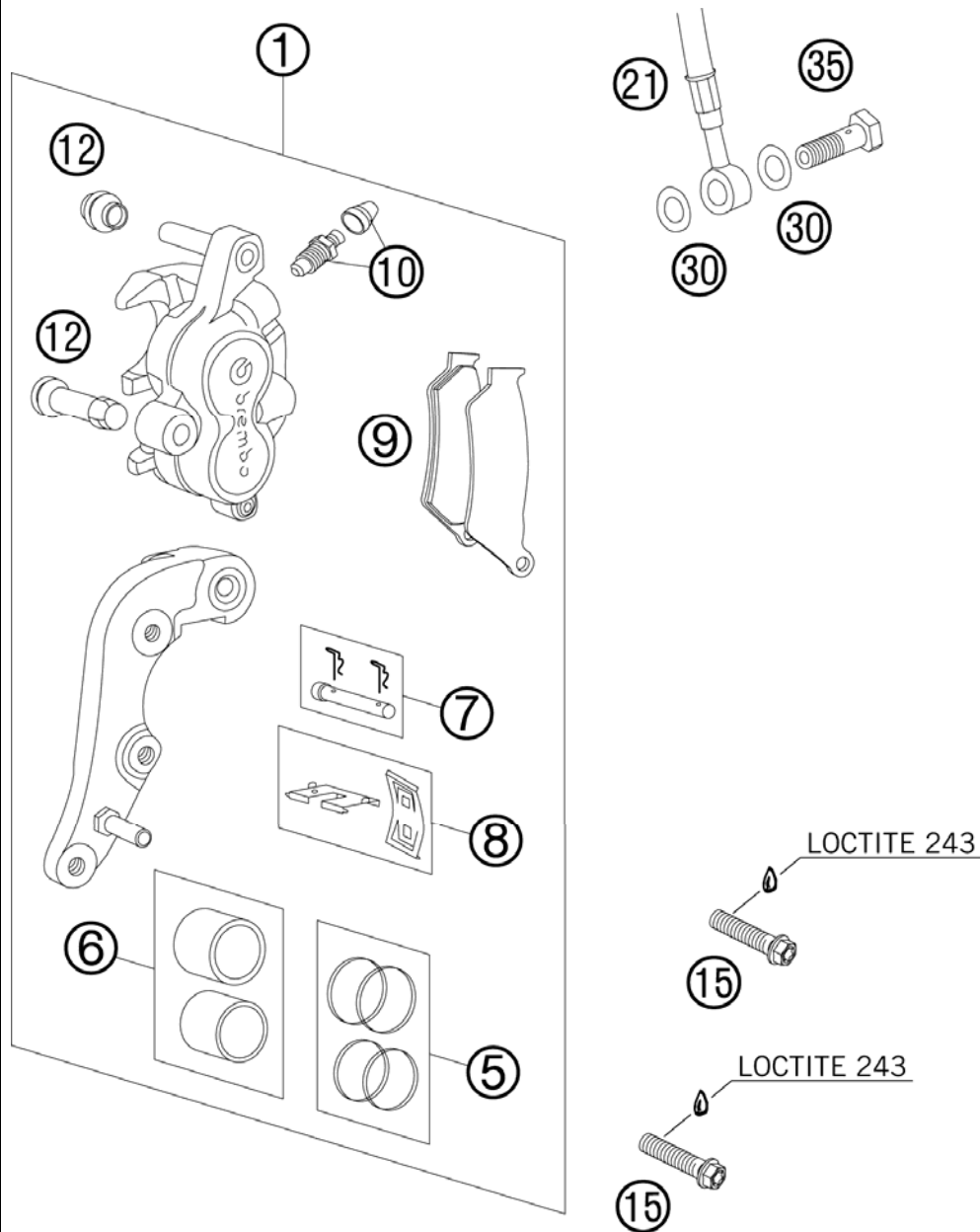
085031331 / C085031331

* NEW PART

X AS REQUIRED

BRAKE CALIPER FRONT

250 EXC EU 2008



| FIG | PART NUMBER | DESCRIPTION | QTY |
|-----|-------------|--------------------------------|-----|
| 1 | 59013015144 | BRAKECALIPER FRONT BREMBO 2000 | 1 |
| 5 | 54613205000 | REPAIR KIT 28MM | 1 |
| 6 | 54613206000 | REPAIR KIT PISTON 28MM | 1 |
| 7 | 54613210100 | BOLT CPL. 6X56 | 1 |
| 8 | 54613212000 | RETAINING PLATE SET BREMBO | 1 |
| 9 | 50313030200 | BRAKEP.SET FR.TOSHIBA TT2701HH | 1 |
| 10 | 60013020000 | BLEEDER SCREW WITH CAP | 1 |
| 12 | 54613218000 | CUP SET SHORT | 1 |
| 15* | 0025080356S | HH COLLAR SCREW M8X35 TX40 | 2 |
| 21 | 59013010000 | BRAKEHO. FRONT 1235MM 2000 | 1 |
| 30 | 0603100141 | COPPER GASKET DIN7603-10X14X1 | 2 |
| 35 | 50213025000 | HOLLOW SCREW M10X1X19 | 1 |

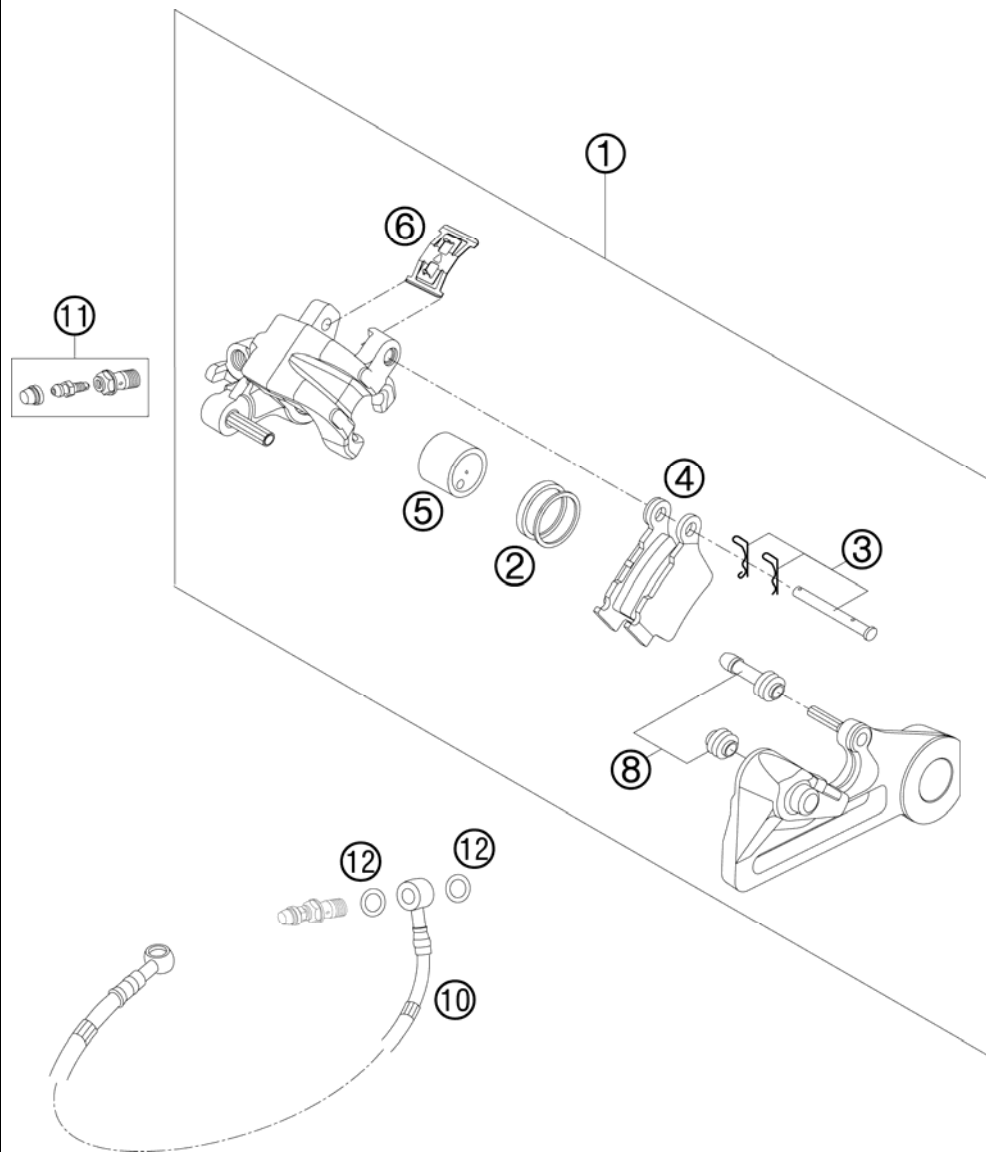
085031360 / C085031360

* NEW PART

X AS REQUIRED

BRAKE CALIPER REAR

250 EXC EU 2008

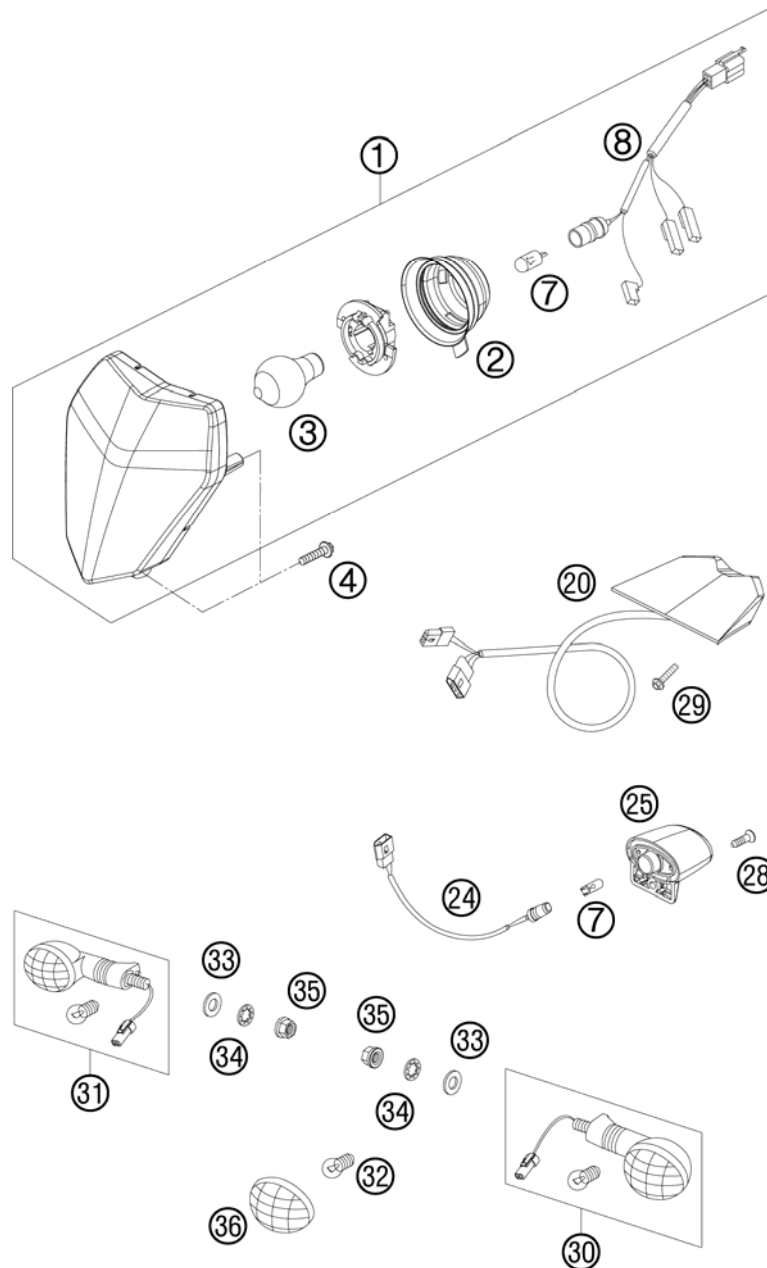


| FIG | PART NUMBER | DESCRIPTION | QTY |
|-----|-------------|-------------------------------|-----|
| 1 | 54813080144 | BRAKE CALIPER REAR CPL. 2005 | 1 |
| 2 | 50313081200 | REPAIR KIT SEALING RINGS 26MM | 1 |
| 3 | 54813082000 | BOLT SET FOR BRAKE CALIPER 03 | 1 |
| 4 | 54813090300 | BRAKE PAD SET REAR TOYO | 1 |
| 5 | 54813083000 | BRAKE PISTON 26MM 2003 | 1 |
| 6 | 54813018000 | RETAINING SPRING SET 2003 | 1 |
| 8 | 54613218000 | CUP SET SHORT | 1 |
| 10 | 54813070000 | BRAKE HOSE REAR 655MM 03 | 1 |
| 11 | 54813020000 | BLEEDER HOLLOW SCREW M10X1 | 1 |
| 12 | 0603100141 | COPPER GASKET DIN7603-10X14X1 | 2 |

085481390 / C085481390

* NEW PART

X AS REQUIRED

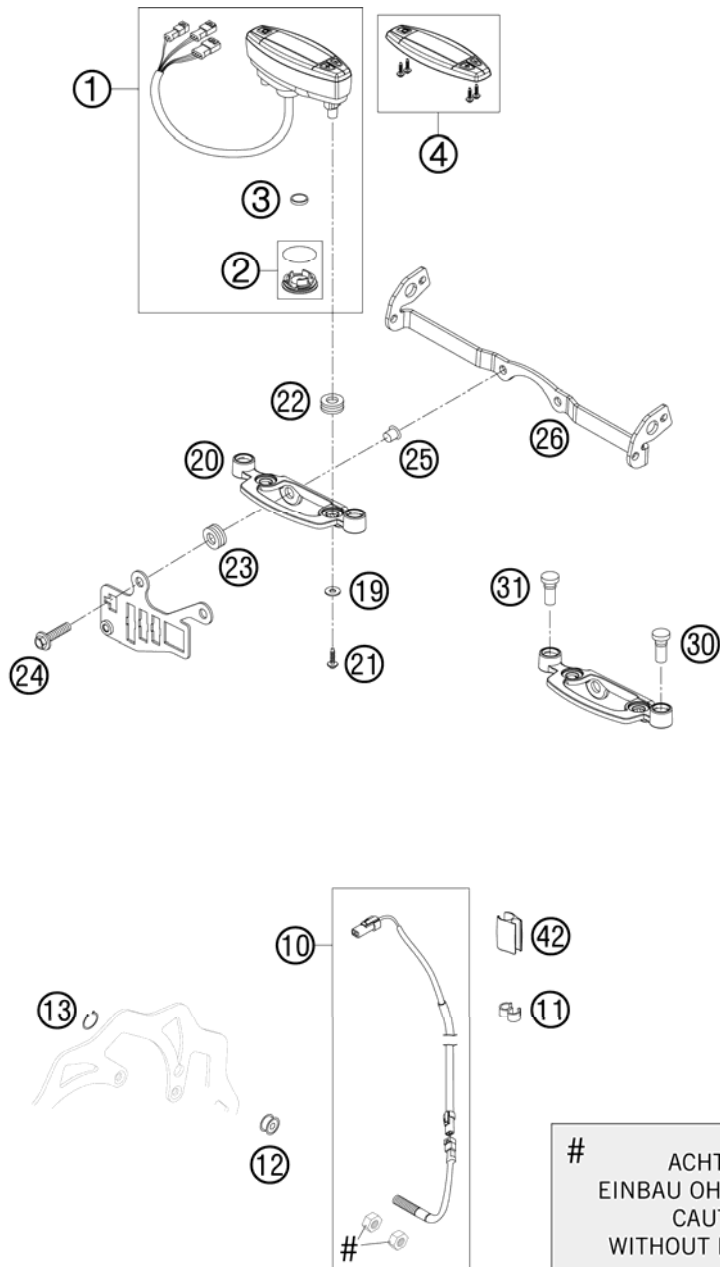


| FIG | PART NUMBER | DESCRIPTION | QTY |
|-----|-------------|---------------------------------|-----|
| 1* | 78014001000 | HEAD LIGHT CPL. EXC-EU 08 | 1 |
| 2 | 54814001050 | RUBBER CAP FOR HEAD LIGHT 05 | 1 |
| 3 | 44111038000 | BILUX-BULB 12V 35/35W BA20D | 1 |
| 4* | 0081500181 | SCREW FOR PLASTIC D=5X18 | 3 |
| 7 | 49011435100 | BULB 12V 5W (W2,1X9,5D) PHIL. | 2 |
| 8 | 54811001050 | CABLE FOR HEAD LIGHT 2005 | 1 |
| 20* | 78014040000 | REAR LIGHT EXC-EU 2008 | 1 |
| 24* | 78011093000 | WIRING H. LICENSE PL. ILLUM.08 | 1 |
| 25* | 75014047000 | LICENSE PLATE ILLUMINATION 07 | 1 |
| 28* | 0081250181 | SCREW FOR PLASTIC 50X18 T20 | 1 |
| 29 | 0017060203 | EJOT PT SCREW K60X20 WS=6 | 2 |
| 30 | 54814025100 | FLASHER CPL.FRONT L/S REAR R/S | 2 |
| 31 | 54814026100 | FLASHER CPL. FRONT R/S REAR L/S | 2 |
| 32 | 44111015100 | BULB 12V 10W (BA15S) | 4 |
| 33 | 0125100003 | WASHER DIN0125-A10,5 | 4 |
| 34 | 0797100003 | LOCK WASHER DIN6797-J10,5 ZI | 4 |
| 35 | 58414030000 | HH COLLAR NUT M10X1,25 WS=13 | 4 |
| 36 | 54814028000 | FLASHER LENS L/S R/S 05 | 4 |

085031410 / C085031410

* NEW PART

X AS REQUIRED



| FIG | PART NUMBER | DESCRIPTION | QTY |
|-----|-------------|--|-----|
| 1 | 54814069000 | SPEEDOMETER KM/H F. 21" 2005 REPROGRAMMABLE: KM/H - MPH | 1 |
| 2 | 54814069010 | BATTERY COVER F. SPEEDOM. 2005 | 1 |
| 3 | 58314068000 | BATTERY F. SPEEDOM. M.A.E. 02 | 1 |
| 4 | 54814069020 | SPEEDOMETER TOP PART 05 | 1 |
| 10 | 54814068100 | CABLE FOR DIGITAL SPEEDOM. 06 | 1 |
| 11 | 55011022100 | CLAMP D=6/8MM, BLACK | 3 |
| 12 | 54814069050 | MAGNET FOR DIGITAL SPEEDOM. 03 | 1 |
| 13 | 0471009104 | CIRCLIP DIN0471- 9X1 INOX | 1 |
| 19 | 0021050003 | WASHER DIN9021-A 5,3 | 2 |
| 20 | 54814060000 | SPEEDOMETER BRACKET 05 | 1 |
| 21* | 0081050121 | SCREW FOR PLASTIC K50X12 T20 | 2 |
| 22 | 58214069051 | RUBBER GROMMET 16X10,8X3 02 | 2 |
| 23 | 31008060000 | RUBBER SLEEVE D=8MM OPEN | 2 |
| 24* | 0024060256 | HH COLLAR SCREW M6X25 TX30 | 2 |
| 25 | 58314060050 | SPACER BUSH. F. SPEEDOMET.BRA. | 2 |
| 26* | 78014033000 | FLASHER BRACKET EXC 08 | 1 |
| 30 | 58011021300 | H.BEAM INDICATOR LIGHT BLUE'98 | 1 |
| 31 | 58011024300 | FLASHER INDICAT.LIGHT GREEN'98 | 1 |
| 42 | 54813026000 | CABLE SUPPORT 10/6MM 06 | 2 |

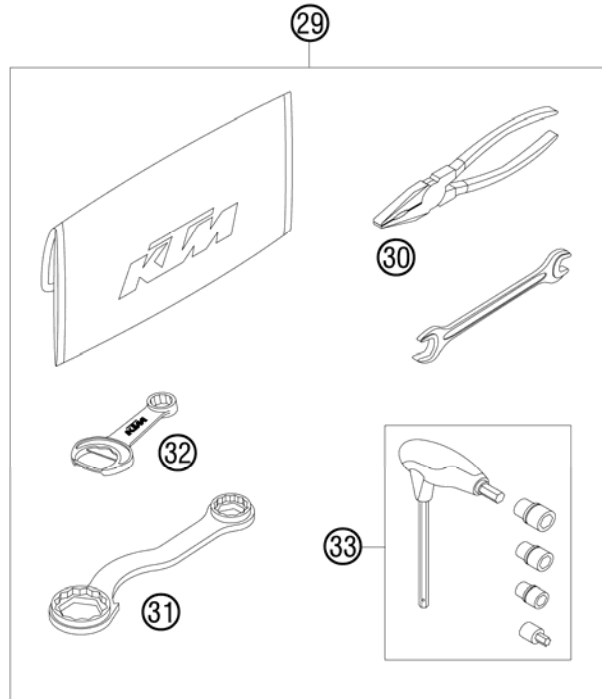
085031430 / C085031430

* NEW PART

X AS REQUIRED

①
OHNE ABBILDUNG
WITHOUT ILLUSTRATION

①
TECHNISCHE DOKUMENTATION
TECHNICAL DOCUMENTATION
DOCUMENTACION TECNICA
DOCUMENTATION TECHNIQUE
NOTE TECNICHE



| FIG | PART NUMBER | DESCRIPTION | QTY |
|-----|---------------|--------------------------------|-----|
| 0 | 0019080206S | FLAT HEAD SCREW M. ISA45 M8X20 | 1 |
| 0 | 0019080266S | COUNTER-SUNK SCREW ISA45 M8X26 | 6 |
| 0 | 0125050003 | WASHER DIN0125-A 5,3 | 2 |
| 0 | 0966050163 | OVAL HEAD SCREW DIN0966-M 5X16 | 2 |
| 0 | 0985050003 | SELF LOCKING NUT DIN0985-M 5 | 2 |
| 0 | 312305 | DOCUMENTS BAG 2006 | 1 |
| 0 | 312313 | KTM BALLPOINT ORANGE | 1 |
| 0 | 3210039 | CUSTOMER WELCOME LETTER | 1 |
| 0 | 40006006000 | WASHER 6MM | 2 |
| 0 | 50033029014 | SPROCKET 14-T | 1 |
| 0 | 5030314013390 | FOOTREST L.+R. CPL. 03 | 1 |
| 0 | 50310900116 | CHAIN X-RING 116 R | 1 |
| 0 | 50312042000 | MIRROR CLAMP L/S M10X1,25 | 1 |
| 0 | 54310086200 | SELF LOCKING NUT M8 10.9 | 6 |
| 0 | 54806416000 | FILTER CARRIER 2S SX 07 | 1 |
| 0 | 58012040000 | REAR MIRROR L/S | 1 |
| 0 | 58012040150 | CLAMP FOR MIRROR '94 | 1 |
| 0 | 58012140000 | REAR MIRROR R/S | 1 |
| 0 | 58310151050 | REAR SPROCKET 50-T | 1 |
| 0 | 58412080000 | REFLECTOR RED LC4 '98 | 1 |
| 0 | 58412080050 | BRACKET FOR REFLECTOR | 1 |
| 0 | 77303192000 | PROTECTIVE FILM FRAME LEFT 07 | 1 |
| 0 | 77303193000 | PROTECTIVE FILM FRAME RIGHT 07 | 1 |
| 1* | 3211226 | OWN. MAN. 125-300 EXC/XC-W 08 | 1 |
| 1* | 3CF7303H0EN | SPM CHASSIS 250 EXC EU 2008 | 1 |
| 1* | 3CM083680HEN | SPM ENGINE 250 EXC EUR/AUS 08 | 1 |
| 29 | 54829099000 | ORIGINAL EQUIPMENT TOOL KIT | 1 |
| 30 | 53012028200 | GRIP ORANGE B&F | 1 |
| 31 | 50329080000 | WRENCH WS=17/21/27/32 | 1 |
| 32 | 50329071000 | WRENCH WS=13/17 | 1 |
| 33 | 60029070200 | T-WRENCH WS=6/8/10 TX=45 B&F | 1 |

085032001 / C085482003

* NEW PART

X AS REQUIRED



KTM-Sportmotorcycle AG
A-5230 Mattighofen
www.ktm.at

KTM Group Partner



3CF7303H0EN



Art.Nr.: 3CF7303H0EN 4/2007