

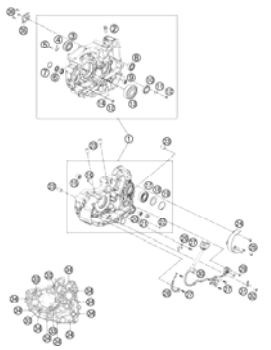
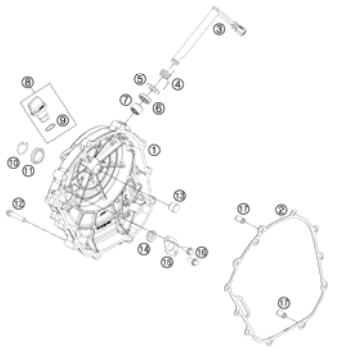
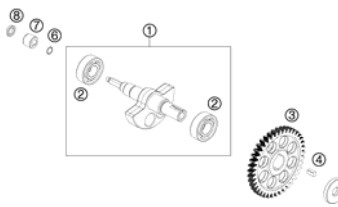
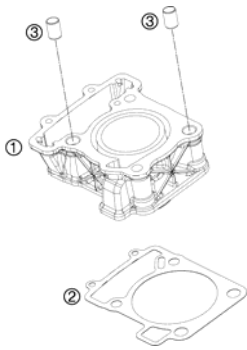
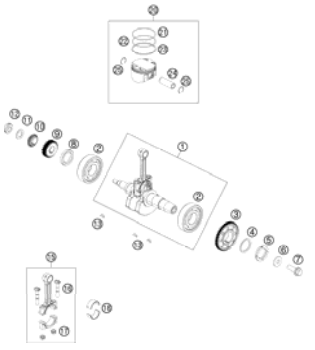
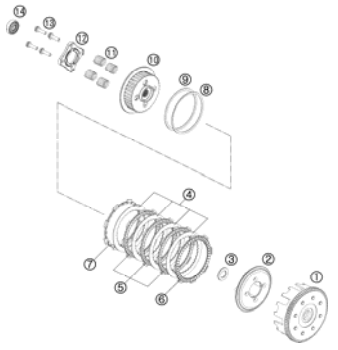
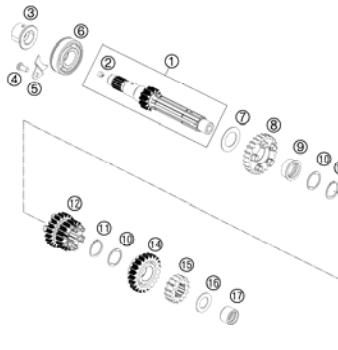
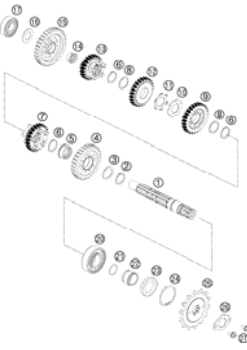

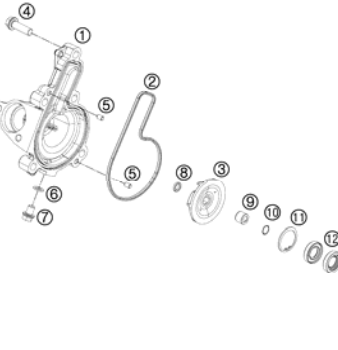

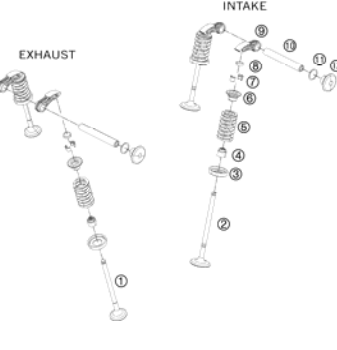
125 DUKE 100KM/H 2011

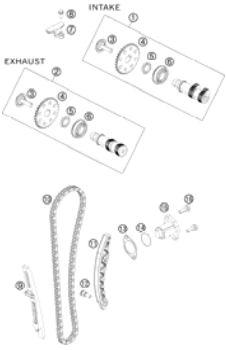
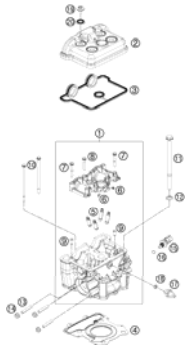
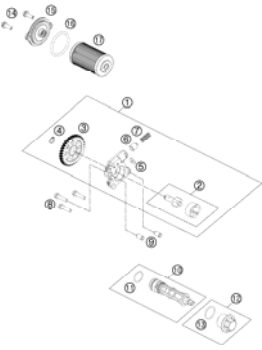
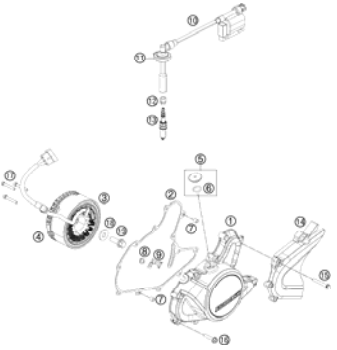
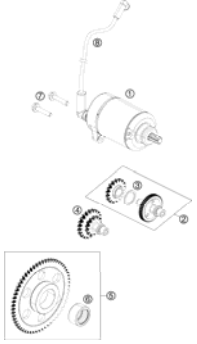
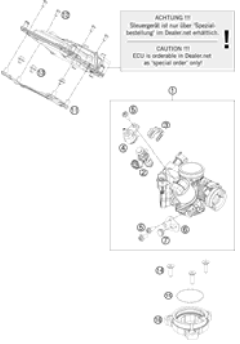
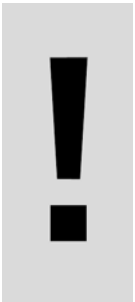
SPARE PARTS MANUAL: ENGINE

ART.NO.: 3CM081200KEN

ENGLISH



<p>ENGINE CASE</p>  <p>3</p>	<p>CLUTCH COVER</p>  <p>5</p>	<p>BALANCER SHAFT</p>  <p>6</p>	<p>CYLINDER</p>  <p>7</p>
<p>CRANKSHAFT, PISTON</p>  <p>8</p>	<p>CLUTCH</p>  <p>9</p>	<p>TRANSMISSION I - MAIN SHAFT</p>  <p>10</p>	<p>TRANSMISSION II - COUNTERSHAFT</p>  <p>11</p>
<p>SHIFTING MECHANISM</p>  <p>12</p>	<p>WATER PUMP</p>  <p>13</p>	<p>COOLING SYSTEM</p>  <p>14</p>	<p>VALVE DRIVE</p>  <p>15</p>

<p>TIMING DRIVE</p>  <p style="text-align: right;">16</p>	<p>CYLINDER HEAD</p>  <p style="text-align: right;">17</p>	<p>LUBRICATING SYSTEM</p>  <p style="text-align: right;">18</p>	<p>IGNITION SYSTEM</p>  <p style="text-align: right;">19</p>
<p>ELECTRIC STARTER</p>  <p style="text-align: right;">20</p>	<p>THROTTLE BODY</p>  <p style="text-align: right;">21</p>		
	<div style="display: flex; align-items: center;">  <p>All information contained is without obligation. KTM-Sportmotorcycle AG particularly reserves the right to modify any equipment, technical specifications, prices, colors, shapes, materials, services, service work, constructions, equipment and the like so as to adapt them to local conditions or to cancel any of the above items, all without previous announcement and without giving reasons. KTM may stop manufacturing certain models without previous notice. KTM shall not be held liable for any deviations of availability and/or ability to deliver, illustrations, descriptions, printing and/or other errors. The illustrated models partly contain extra equipment, which is not applied to standard models. © by KTM-SPORTMOTORCYCLE AG, Mattighofen AUSTRIA; All rights reserved; Reprint, also in extracts, with written allowance of KTM-SPORTMOTORCYCLE AG, Mattighofen only.</p> </div>		

ENGINE CASE

125 DUKE 100KM/H 2011

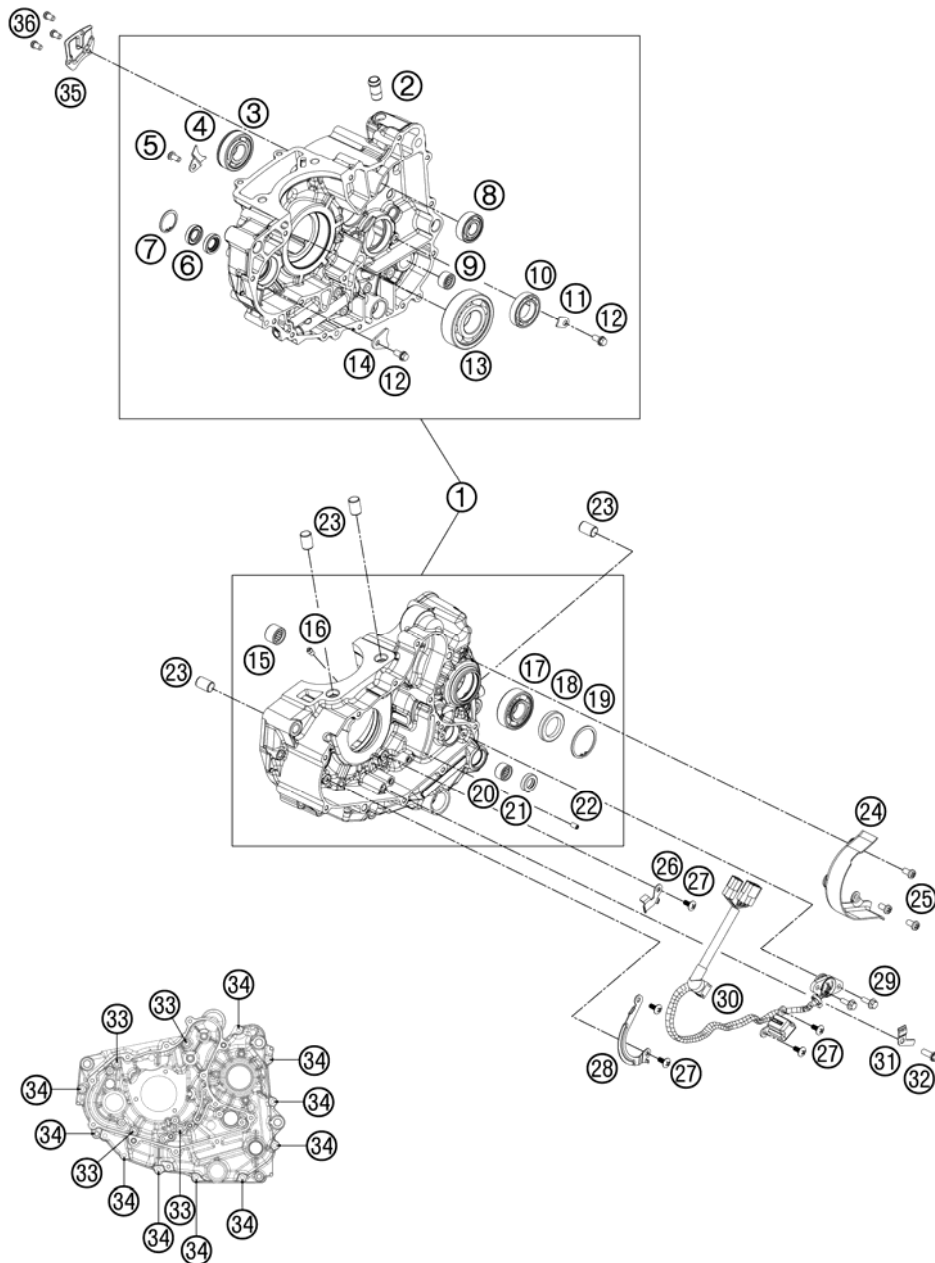


FIG	PART NUMBER	DESCRIPTION	QTY
1	9013000044	ENGINE CASE CPL.	1
2	90130022000	VENTILATION CONNECTOR	1
3	J625062040	GROOVED BALL BEARING 6204	1
4	90130004002	LOCK WASHER F.BEARING DRIVE	1
5	J005160123	FLAT HEAD SCREW M6X12 PH	1
6	J760122455	SHAFT SEALING RING 12X24X5,5	2
7	J472025120	CIRCLIP 25X1,2	1
8	90130004003	BALL BEARING 15X35X11	1
9	J618131912	NEEDLE ROLLER BEARING HK1312	1
10	90130004004	BALL BEARING 25X42X9	1
11	90130078000	LOCK WASHER	1
12	90130078001	FLANGED BOLT 6X12	2
13	90130082000	BALL BEARING 63/2/8 HN3CNP	1
14	90130079000	LOCK WASHER F.BEARING AGW	1
15	J618152114	NEEDLE BEAR. HK1514RS 15X21X14	1
16	90130064000	OIL JET	1
17	J625062041	BALL BEARING 6204-Z/HN3	1
18	J760253706	SHAFT SEAL RING 25X37X6	1
19	J472037150	CIRCLIP 37X1,5	1
20	J618131912	NEEDLE ROLLER BEARING HK1312	1
21	90130003004	SEAL RING 13X22X5,5	1
22	90130058000	OILJET	1
23	90130003007	DOWEL D14	4
24	90130047000	CHAIN GUARD	1
25	J005060123	FLAT HEAD SCREW M6X12 PH	3
26	90130003005	CABLE SUPPORT BELOW	1
27	J005050106S	FLAT HEAD SCREW M5X1 SS	5
28	90130003006	CABLE SUPPORT ABOVE	1
29	J025050163	HH-COLLAR SCREW M5X16 WS8	2
30	90111023000	GEAR-POS.SENSOR INL.PULS. COIL	1
31	90140020002	BRACKET F. FREE WHEEL GEAR	1
32	J028060163	HH-COLLAR SCREW M6X16 WS8	1
33	J025060606	HH COLLAR SCREW M6X60 SW10	4
34	J025060406	HH COLLAR SCREW M6X40 SW10	10
35	90130042000	VENTILATIONBRACKET	1

119013010 / C119013010

* NEW PART

X AS REQUIRED

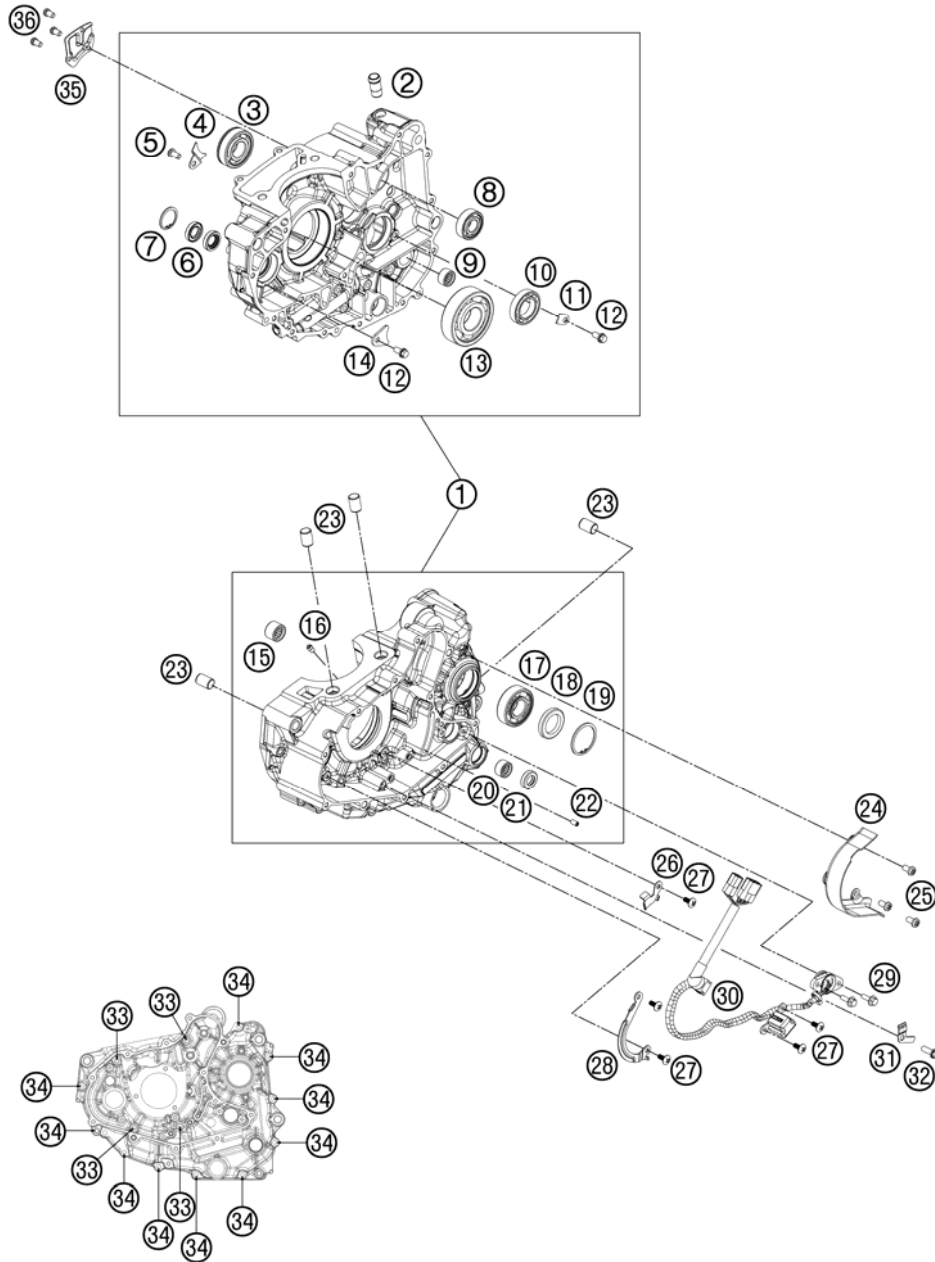


FIG	PART NUMBER	DESCRIPTION	QTY
36	J985050103	PAN CROSS SCREW M5X10 PH	3

119013010 / C119013010

* NEW PART

X AS REQUIRED

CLUTCH COVER

125 DUKE 100KM/H 2011

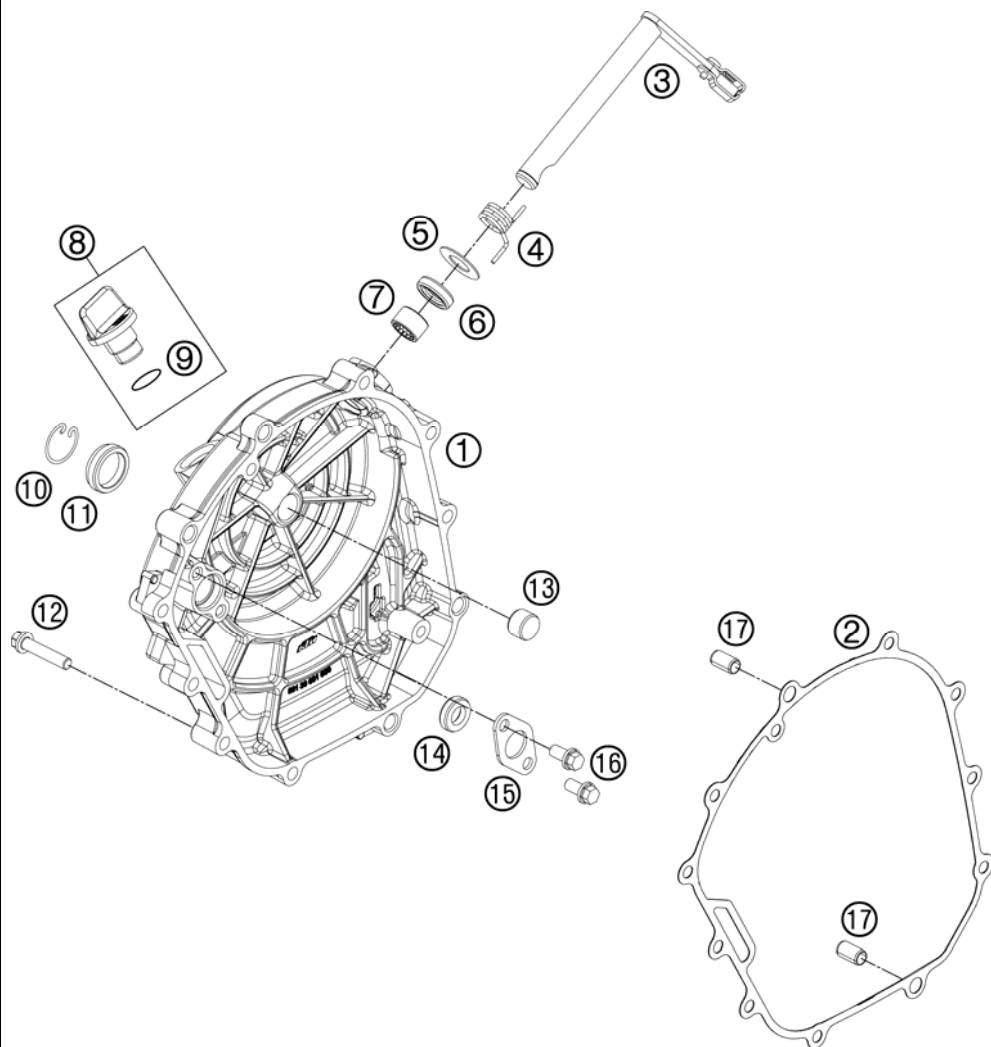


FIG	PART NUMBER	DESCRIPTION	QTY
1	90130026000	CLUTCH COVER	1
2	90130027000	GASKET CLUTCH COVER	1
3	90132048033	SHAFT CLUTCH ACTIVATION CPL.	1
4	90132048004	SPRING F. RELEASE LEVER	1
5	90132048005	WASHER 12,5X24X0,8MM	1
6	90132051000	OIL SEAL RING	1
7	90132050000	NEEDLE BEARING	1
8	90130020000	OIL PLUG	1
9	J770013824	O-RING 13,8X2,4	1
10	90130095001	WIRE CIRCLIP 28X1,5	1
11	90130095000	OIL LEVEL GLASS	1
12	J025060306	HH COLLAR SCREW M6X30 SW10	11
13	90132054000	PUSH ROD	1
14	90134027000	OIL SEAL RING	1
15	90130026002	COVER PLATE	1
16	90130078001	FLANGED BOLT 6X12	2
17	90130024000	PIN DOWEL 8X6,4X14MM	2

119013020 / C119013020

* NEW PART

X AS REQUIRED

BALANCER SHAFT

125 DUKE 100KM/H 2011

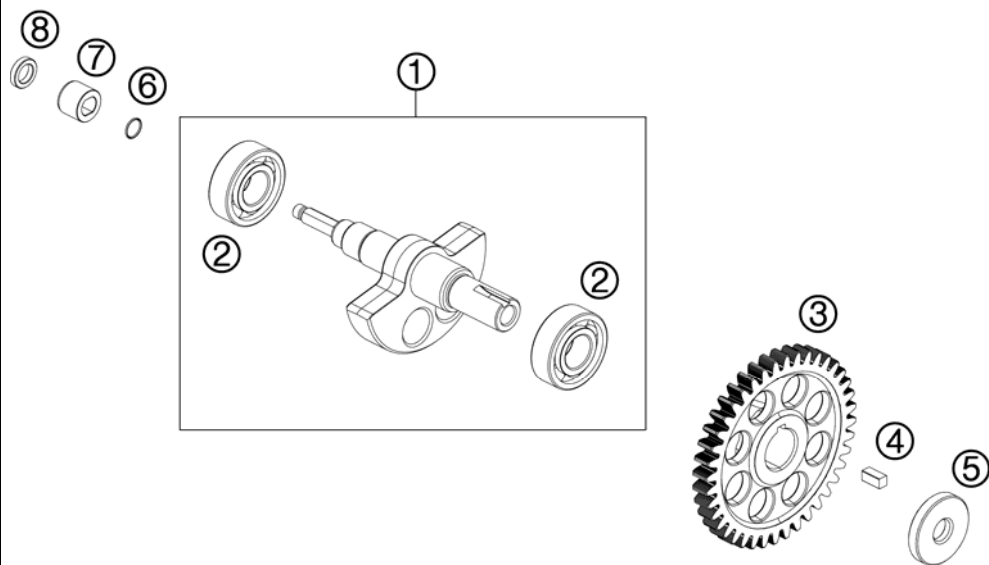


FIG	PART NUMBER	DESCRIPTION	QTY
1	90130057033	BALANCER SHAFT CPL.	1
2	J625062020	BALL BEARING 6202	2
3	90130055000	DRIVE WHEEL BALANCER SHAFT	1
4	90130055001	CLUTCH HUB DRIVE WHEEL BAL.SHA	1
5	90130057050	WASHER 8,2X26X4,5 "0"	1
6	J770007075	O-RING 7X0,75	1
7	90130055004	BUSHING	1
8	90130055006	SPACER SHIM	1

119013030 / C119013030

* NEW PART

X AS REQUIRED

CYLINDER

125 DUKE 100KM/H 2011

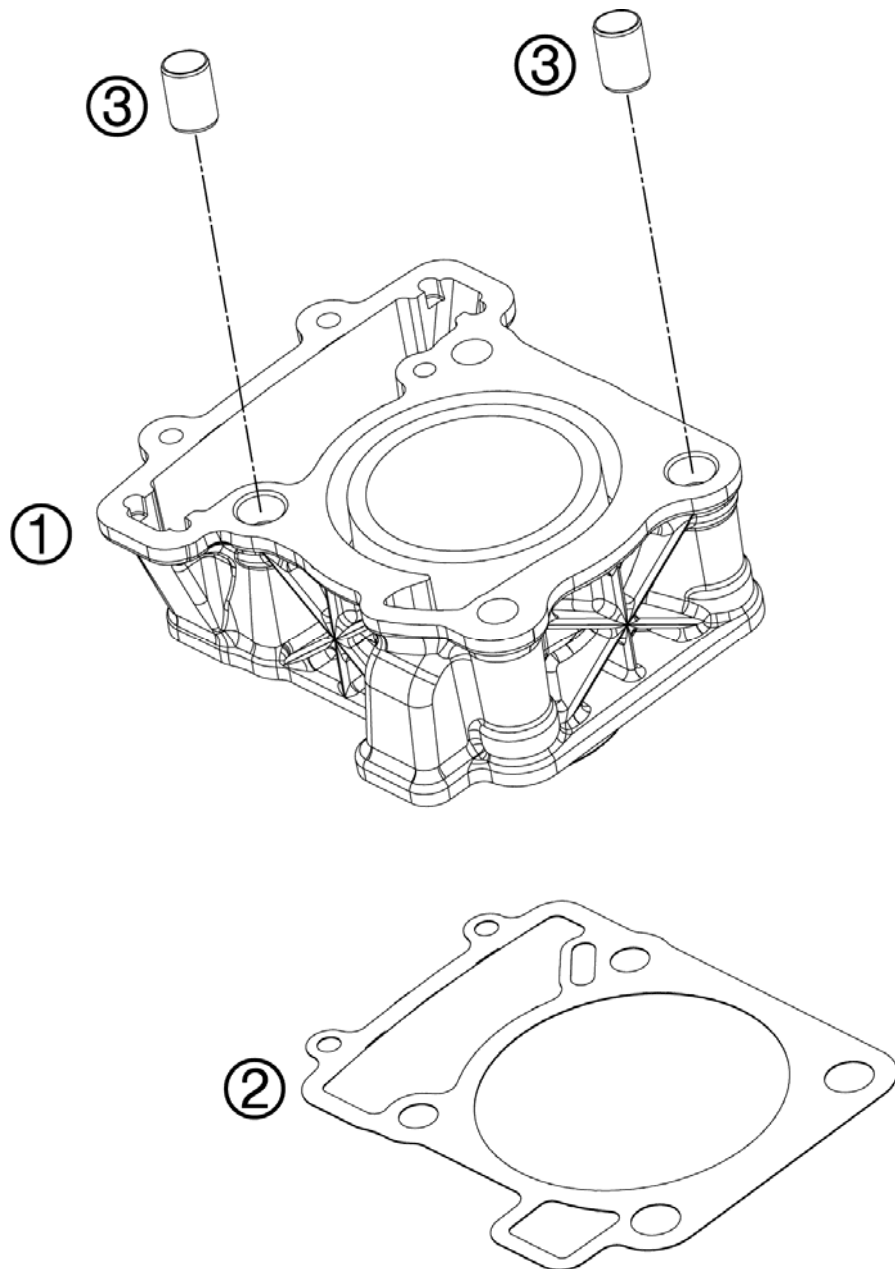


FIG	PART NUMBER	DESCRIPTION	QTY
1	90130005000	CYLINDER CPL.	1
2	90130035000	CYLINDER BASE GASKET	1
3	90130003007	DOWEL D14	2

119013040 / C119013040

* NEW PART

X AS REQUIRED

CRANKSHAFT, PISTON

125 DUKE 100KM/H 2011

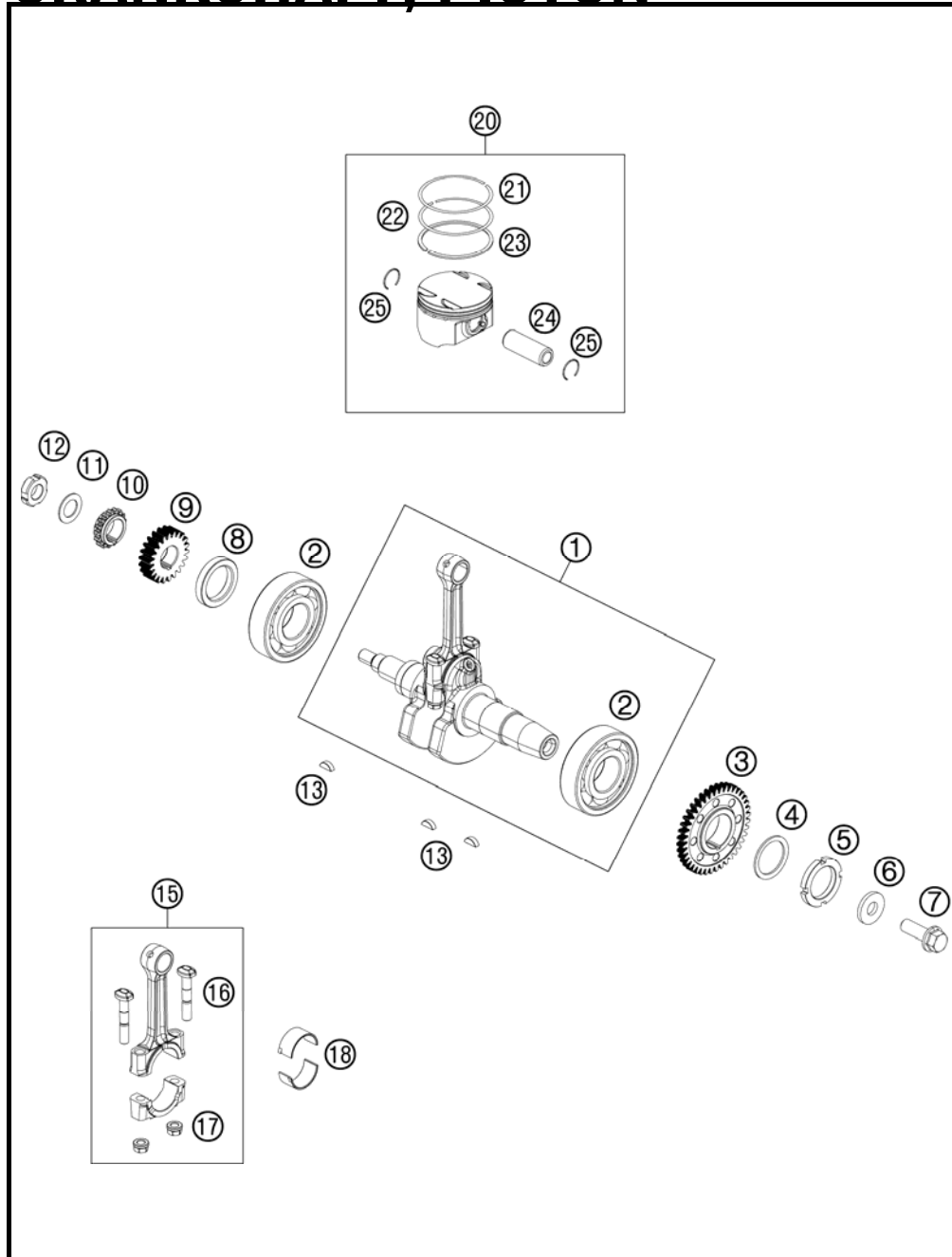


FIG	PART NUMBER	DESCRIPTION	QTY
1	90130018000	CRANKSHAFT CPL.	1
2	90130082000	BALL BEARING 63/2/8 HN3CNP	2
3	90130018006	DRIVE WHEEL CRANKSH. F. AGW	1
4	90130018007	BELLEVILLE SPRING	1
5	90130018008	NUT FOR DRIVE WHEEL AGW	1
6	90130028050	WASHER	1
7	90130028000	FLANGED BOLT M10X1,25X30	1
8	90130018003	SPACER SHIM	1
9	90132024000	PRIMARY GEAR 22T.	1
10	90136014017	TIMING GEAR 17 T.	1
11	90130029050	WASHER PRIMARY DRIVE GEAR	1
12	J080414107	SLOTTED NUT M14X1 H=7	1
13	J888040050	WOODRUFF KEY 4X5X13	3
15	90130015000	CONNECTING ROD CPL.	1
16	90130015001	CONNECTING-ROD BOLT	2
17	90130015002	NUT F. CONNECTING-ROD BOLT	2
18	90130015010	SPLIT BEAR. BUSH	2
20	90130007000	PISTON CPL.	1
21	90130030000	PISTONRING ATOP	1
22	90130031000	PISTONRING MIDDLE	1
23	90130032000	OIL SCRAPER RING	1
24	90130033000	PISTON BOLT	1
25	90130074000	CIRCLIP	2

119013060 / C119013060

* NEW PART

X AS REQUIRED

CLUTCH

125 DUKE 100KM/H 2011

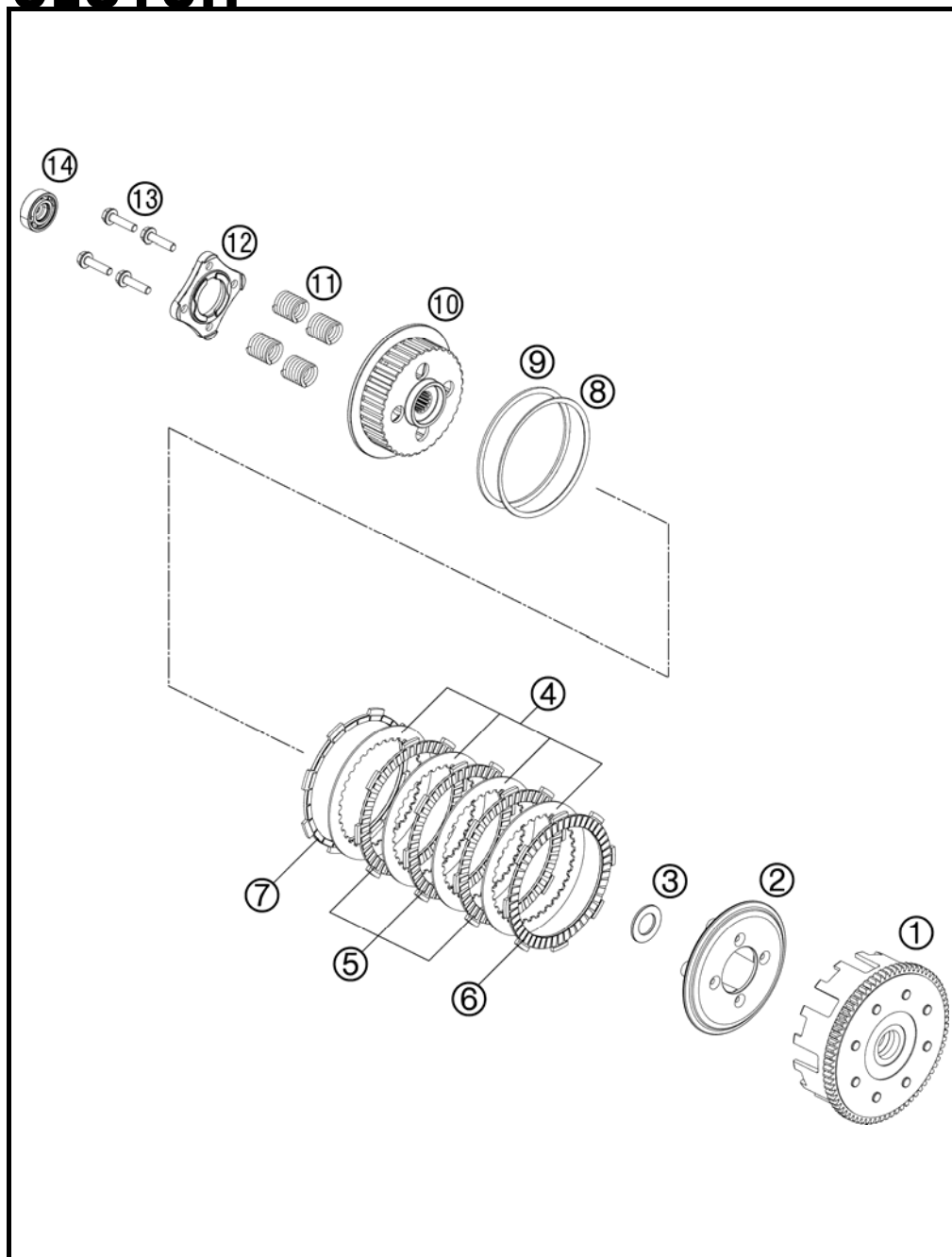


FIG	PART NUMBER	DESCRIPTION	QTY
1	90132001044	OUTER CLUTCH HUB CPL.	1
2	90132003000	PRESSURE CAP	1
3	90132020000	STOP DISK	1
4	90132010000	INTERMEDI. DISC	4
5	90132011000	LINING DISK	3
6	90132111000	LINING DISK INSIDE	1
7	90132211000	LINING DISC TURNED OFF	1
8	90132034000	BELLEVILLE SPRING	1
9	90132035000	SUPPORT RING	1
10	90132002000	INNER CLUTCH HUB	1
11	90132005000	CLUTCH SPRING	4
12	90132006000	PRESSURE PLATE	1
13	90132001001	COLLAR SCREW 6X25	4
14	90132095000	CLUTCH LIFTER BEARING	1

119013210 / C119013210

* NEW PART

X AS REQUIRED

TRANSMISSION I - MAIN SHAFT

125 DUKE 100KM/H 2011

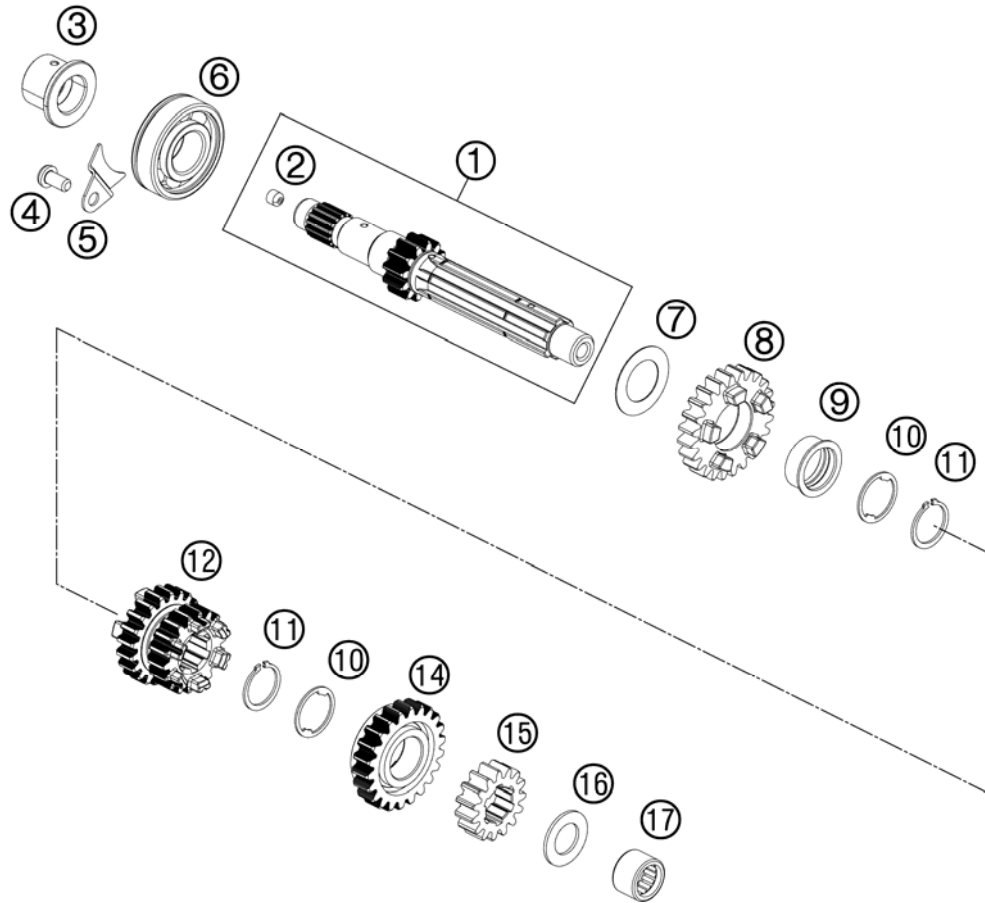


FIG	PART NUMBER	DESCRIPTION	QTY
1	90133001000	MAIN SHAFT CPL.	1
2	90133001001	JET MAIN SHAFT	1
3	90133001011	COLLAR BUSHING MAIN SHAFT	1
4	J005060123	FLAT HEAD SCREW M6X12 PH	1
5	90130004002	LOCK WASHER F.BEARING DRIVE	1
6	J625062040	GROOVED BALL BEARING 6204	1
7	90133032000	WASHER 20X33X0,5	1
8	90133006000	DRIVE WHEEL 6. GEAR	1
9	90133001003	BUSHING	1
10	90133001004	SHIM WASHER	2
11	J471020120	CIRCLIP 20X1,2	2
12	90133003000	DRIVE WHEEL 3. G./4.G.	1
14	90133005000	DRIVE WHEEL 5. GEAR	1
15	90133002000	DRIVE WHEEL 2. GEAR	1
16	90133033000	WASHER 15X26X1,5	1
17	J618152114	NEEDLE BEAR. HK1514RS 15X21X14	x

119013330 / C119013330

* NEW PART

X AS REQUIRED

TRANSMISSION II - COUNTERSHAFT

125 DUKE 100KM/H 2011

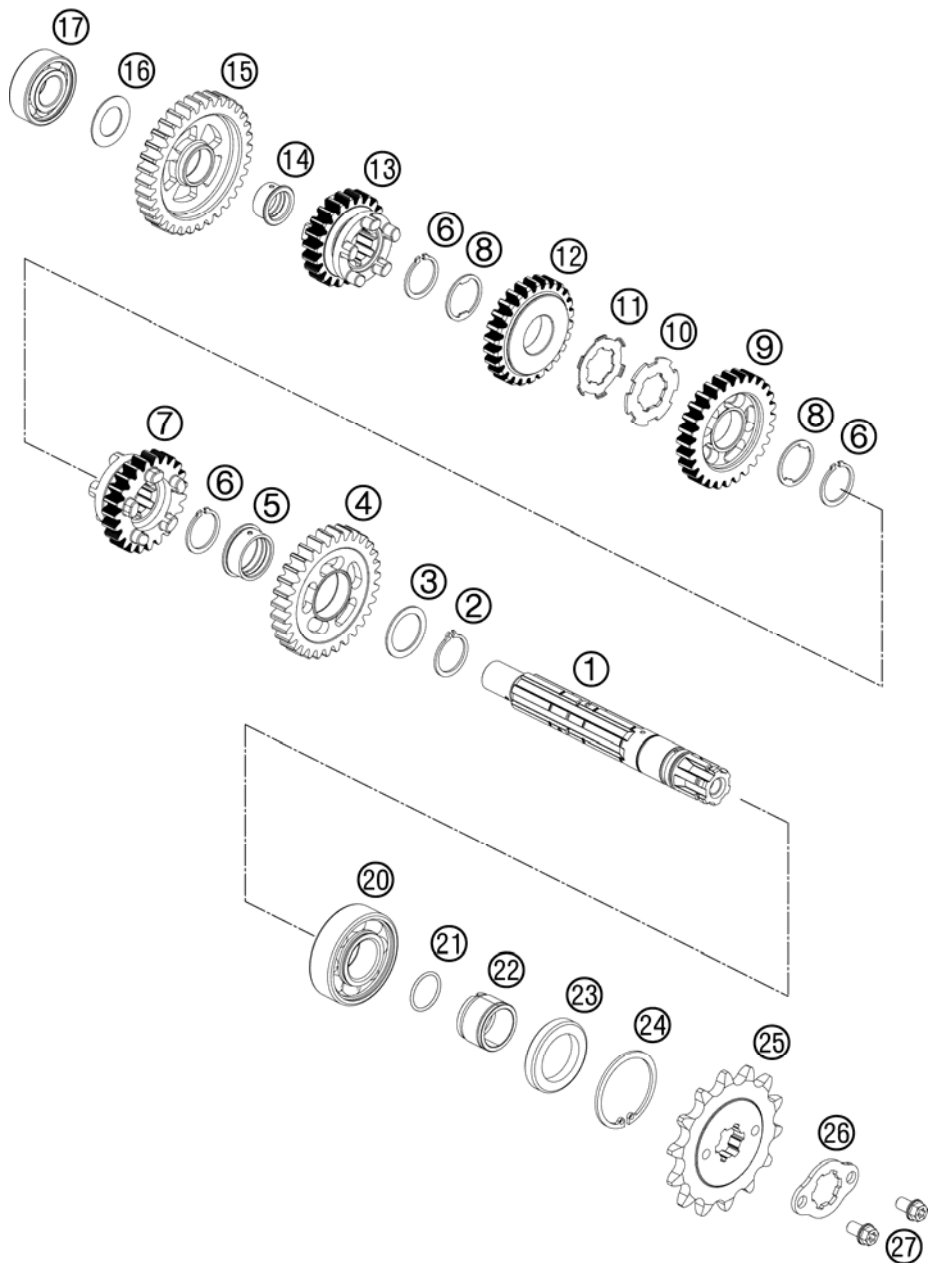


FIG	PART NUMBER	DESCRIPTION	QTY
1	9013301000	COUNTER SHAFT CPL.	1
2	J471020121	CIRCLIP 20X1,2	1
3	90133034000	WASHER 20,2X27X1	1
4	90133012000	COUNTERWHEEL 2. GEAR	1
5	90133001003	BUSHING	1
6	J471020120	CIRCLIP 20X1,2	3
7	90133015000	COUNTERWHEEL 5. GEAR	1
8	90133001004	SHIM WASHER	2
9	90133013000	COUNTERWHEEL 3. GEAR	1
10	90133001007	THRUST WASHER	1
11	90133001008	LOCK WASHER	1
12	90133014000	COUNTERWHEEL 4. GEAR	1
13	90133016000	COUNTERWHEEL 6. GEAR	1
14	90133001009	BUSHING	1
15	90133011000	COUNTERWHEEL 1. GEAR	1
16	90133038000	PLAIN WASHER	1
17	90130004003	BALL BEARING 15X35X11	1
20	J625062041	BALL BEARING 6204-Z/HN3	1
21	J770017515	O-RING 17,5X1,5	1
22	90133029003	BUSHING SPROCKET	1
23	J760253706	SHAFT SEAL RING 25X37X6	1
24	J472037150	CIRCLIP 37X1,5	1
25	90133029014	SPROCKET 14T.	1
26	90133029001	BRACKET SPROCKET	1
27	J025060106	HH COLLAR SCREW M6X10 WS10	2

119013360 / C119013360

* NEW PART

X AS REQUIRED

SHIFTING MECHANISM

125 DUKE 100KM/H 2011

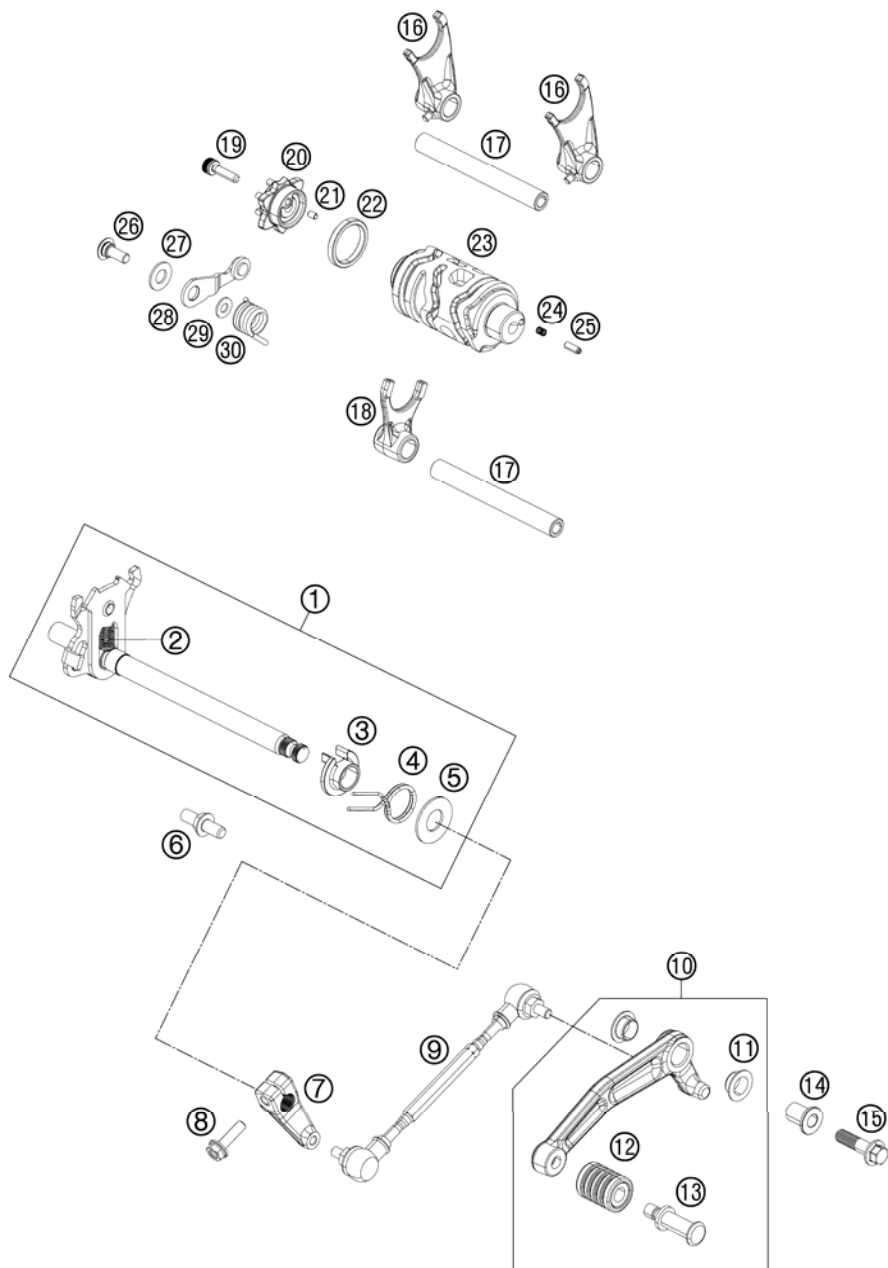


FIG	PART NUMBER	DESCRIPTION	QTY
1	90134005033	SHIFT SHAFT CPL.	1
2	90134009000	TENSION SPRING	1
3	90134022000	SPRING BUSHING	1
4	90134014000	RETURN SPRING	1
5	90134050000	STOP DISK 14X30X1,5	1
6	90134016000	SPRING GUIDE	1
7	90134031010	RELAY SHIFT LEVER	1
8	J025060223	HH COLLAR SCREW M6X22 SW10	1
9	90134040033	TENSION ROD CPL.	1
10	90134031033	SHIFT LEVER CPL.	1
11	90134036000	IGUS BUSH BEARING	2
12	90134035000	RUBBER FOR SHIFT LEVER	1
13	90134034000	BOLT SHIFT LEVER	1
14	90134031003	SPACER SLEEVE	1
15	J025080303S	HH COLLAR SCREW M8X30 SS SW10	1
16	90134002000	SHIFT FORK COUNTER	2
17	90134019000	SHIFTRAIL	2
18	90134001000	SHIFT FORK MAIN	1
19	90134015003	AH SCREW M6X20 SELF LOCKING	1
20	90134015000	SHIFT DRUM LOCATING	1
21	90134013000	PARALLEL PIN	1
22	90134012002	SPACER	1
23	90134012000	SHIFT ROLLER	1
24	90134012003	CONTACT SPRING	1
25	90134012001	BOLT FOR GEAR INDICATOR	1
26	90134025000	SCREW LOCKING LEVER	1
27	90134030000	WASHER LOCKING LEVER	1
28	90134024033	LOCKING LEVER CPL.	1
29	90134039000	WASHER 6X12,8X1,2	1
30	90134023000	ARRESTING LEVER SPRING	1

119013410 / C119013410

* NEW PART

X AS REQUIRED

WATER PUMP

125 DUKE 100KM/H 2011

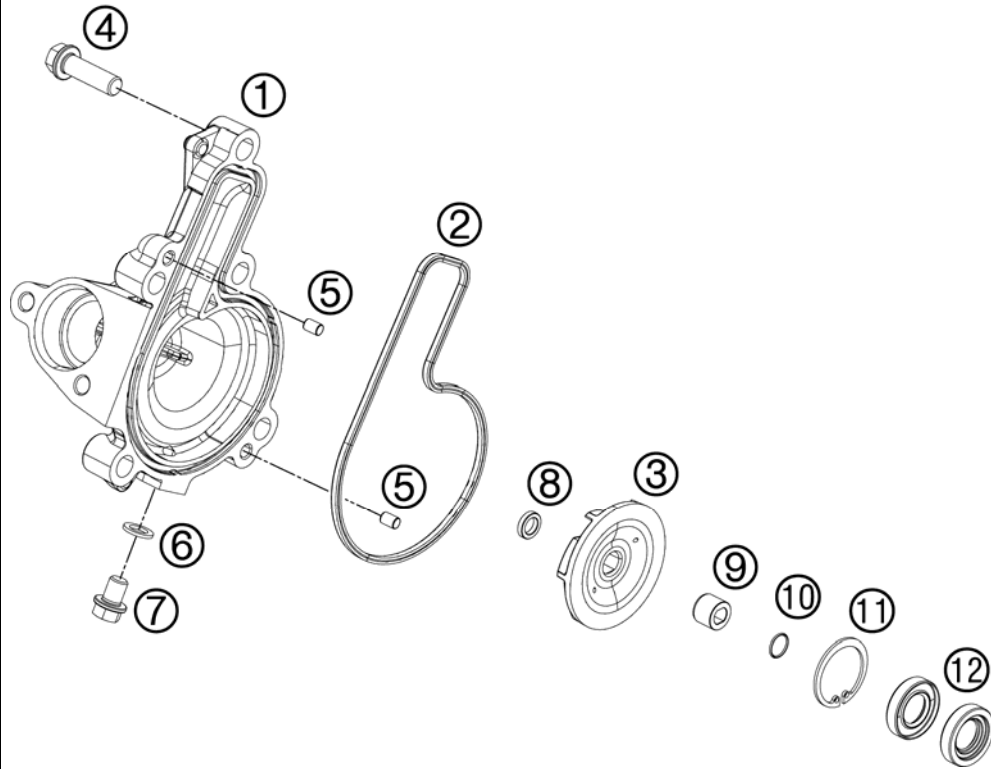


FIG	PART NUMBER	DESCRIPTION	QTY
1	90135052000	WATERPUMP COVER	1
2	90135053000	WATER PUMP COVER GASKET	1
3	90135055000	WATER PUMP ROTOR	1
4	J025060206	HH COLLAR SCREW M6X20 SW10	5
5	90134013000	PARALLEL PIN	2
6	J603061001	COPPER GASKET	1
7	J025060066	HH COLLAR SCREW M6X6 SW10	1
8	90130055006	SPACER SHIM	1
9	90130055004	BUSHING	1
10	J770007075	O-RING 7X0,75	1
11	J472025120	CIRCLIP 25X1,2	1
12	J760122455	SHAFT SEALING RING 12X24X5,5	2

119013510 / C119013510

* NEW PART

X AS REQUIRED

COOLING SYSTEM

125 DUKE 100KM/H 2011

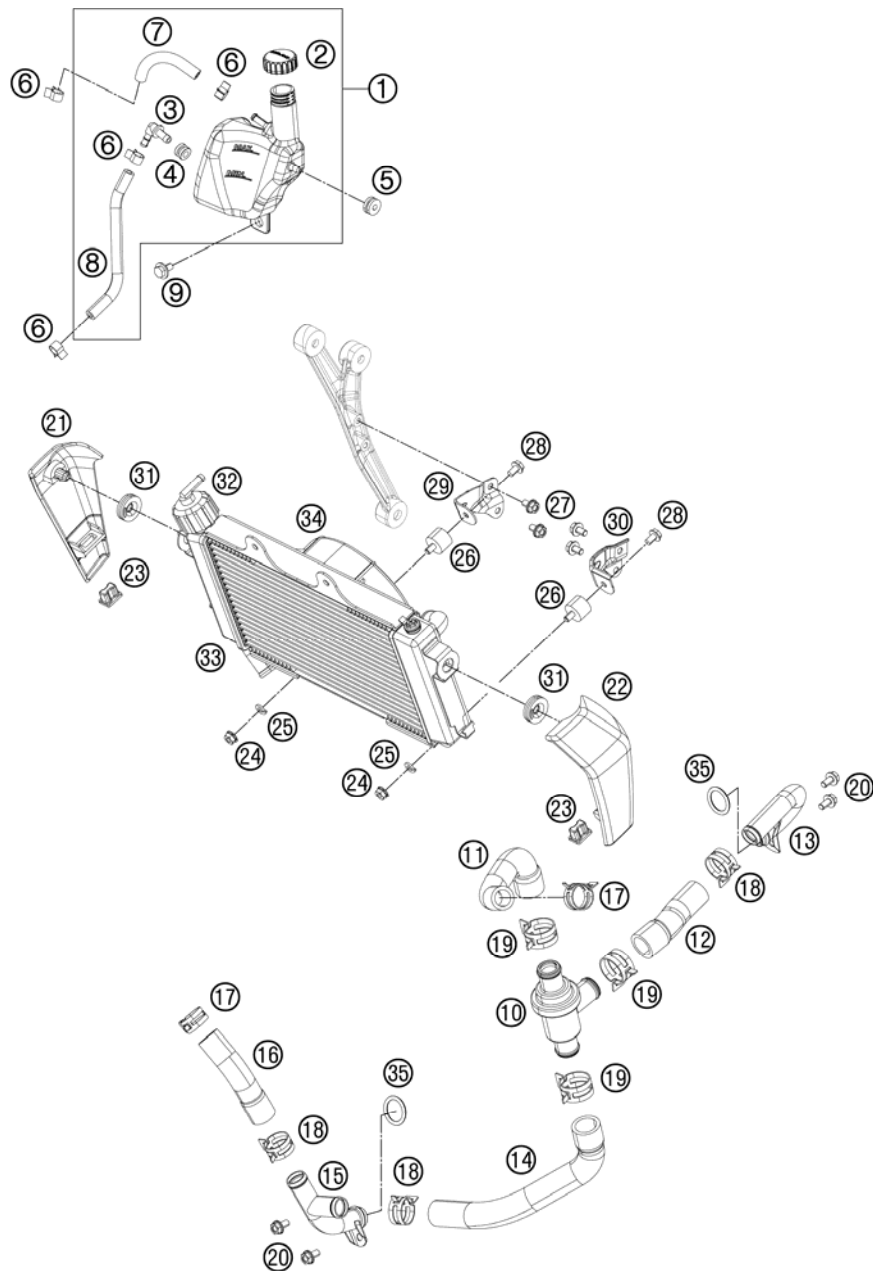


FIG	PART NUMBER	DESCRIPTION	QTY
1	90135065033	EXPANSION RESERVOIR CPL.	1
2	90135066000	PLUG F. EXPANSION TANK	1
3	90135068000	CONNECTOR EXPANSION TANK	1
4	90135069000	GROMMET F. CONN. EXP.TANK	1
5	90135065050	GROMMET EXPANSION TANK	1
6	90107018011	CLAMP 10MM	4
7	90135067000	HOSE 6X10,5X80 MM	1
8	90135067050	HOSE 6X10X154 MM	1
9	90135074000	SPECIAL SCREW M6X12 FLANGED	1
10	90135017000	THERMOSTAT	1
11	90135024020	RADIATORHOSE THERM.-RADIATOR	1
12	90135025000	RADIATORHOSE ENGINE-THERM.	1
13	90135090000	COOLING PIPE ENGINE	1
14	90135024010	RADIATORHOSE THERM.-COOL.PIPE	1
15	90135026000	COOLING PIPE "T" CPL.	1
16	90135024030	RADIATORHOSE RADI.-COOLL." T "	1
17	90135020002	HOSE CLAMP D24	2
18	90135020001	HOSE CLAMP D26	3
19	90135020003	HOSE CLAMP D28	3
20	J025060126	HH COLLAR SCREW M6X12 SW10	4
21	90108061000	RADIATOR PROTECTOR R/S	1
22	90108060000	RADIATOR PROTECTOR L/S	1
23	90108060002	DAMP. RUBBER II RADIATOR PROT	2
24	J926060000	FLANGED NUT M6 WS10 SELF LOCK.	4
25	J127060003	WASHER SPRING B6	4
26	90135001001	RUBBER GROMMET	4
27	J025060103	HH COLLAR SCREW M6X10 SW8	4
28	J026060083	HH COLLAR SCREW M6X8 SW10	4
29	90103006001	RADIATOR SUPPORT R/S BELOW	1
30	90103005001	RADIATORSUPPORT L/S BELOW	1
31	90108060001	DAMPING RUBBER I RADIATOR PROT	2
32	90135016000	RADIATOR CAP	1
33	90135010000	RADIATOR CPL.	1
34	90135041033	VENTILATOR CPL.	1
35	J770018530	O-RING 18,5X3	2

119013530 / C119013530

* NEW PART

X AS REQUIRED

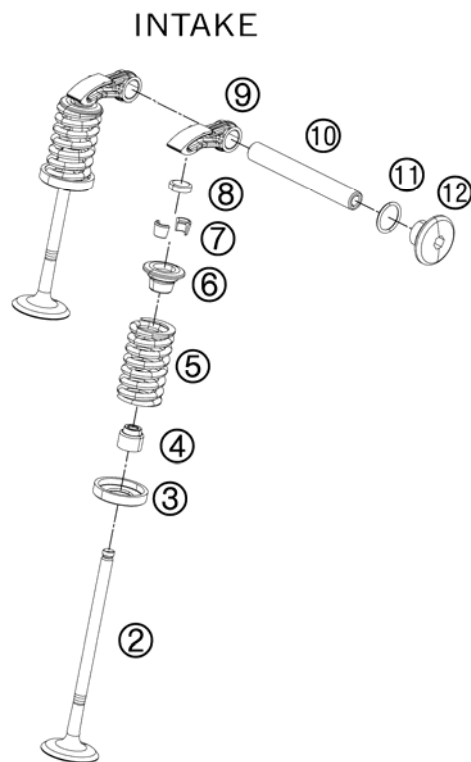
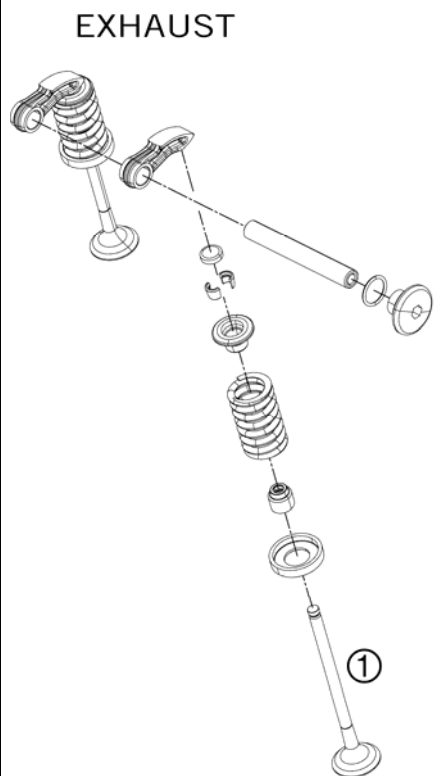


FIG	PART NUMBER	DESCRIPTION	QTY
1	90136031000	EXHAUST VALVE	2
2	90136030000	INTAKE VALVE	2
3	90136036000	VALVE SPRING HOLDER	4
4	90136027000	VALVE-STEM SEALING	4
5	90136028000	VALVE SPRING	4
6	90136032000	VALVE SPRING RETAINER	4
7	90136033000	VALVE COLLET	8
8	90136035000	SHIM	4
9	90136060000	VALVE LEVER	4
10	90136056000	VALVE LEVER SHAFT	2
11	J770010312	O-RING 10,3X1,2 MM	2
12	90136056001	SCREW PLUG	2

119013610 / C119013610

* NEW PART

X AS REQUIRED

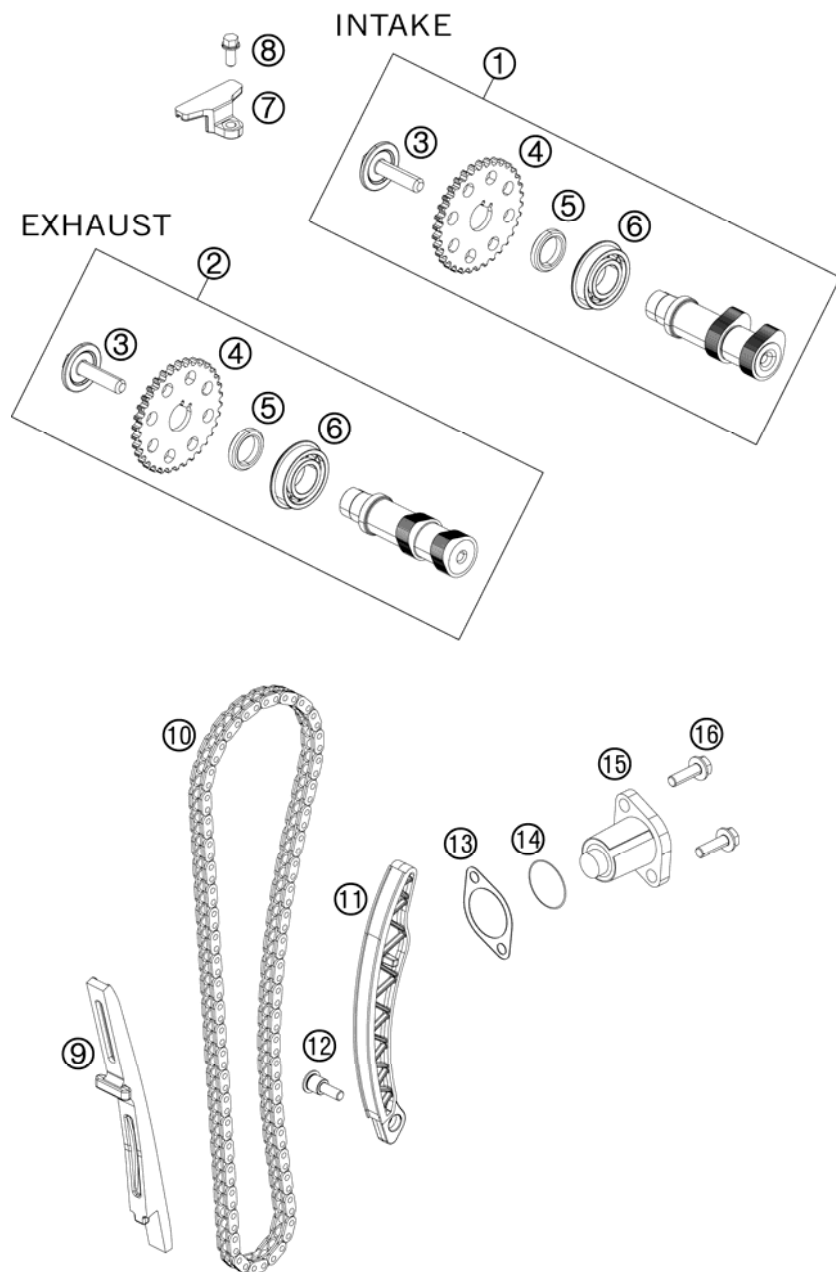


FIG	PART NUMBER	DESCRIPTION	QTY
1	90136009033	CAMSHAFT INTAKE CPL.	1
2	90136010033	CAMSHAFT EXHAUST CPL.	1
3	90136009004	SPECIAL SCREW CAMSHAFT	2
4	90136009003	GEAR WHEEL CAMSHAFT	2
5	90136009002	SPACER	2
6	90136009001	BALL BEAR.6003NR/C3D8 17X35X10	2
7	90136018000	GUIDE RAIL TOP	1
8	J025060142	HH-COLLAR SCREW M6X14 WS8	1
9	90136001000	TIMING CHAIN GUIDE	1
10	90136013000	TIMING CHAIN	1
11	90136002000	TENSIONER RAIL	1
12	90130004007	SPECIAL SCREW 6X14,9	1
13	90136003003	GASKET CHAIN ADJUSTER	1
14	J770010015	O-RING 10,15X1,5	1
15	90136003000	CHAIN ADJUSTER	1
16	J025060206	HH COLLAR SCREW M6X20 SW10	2

119013620 / C119013620

* NEW PART

X AS REQUIRED

CYLINDER HEAD

125 DUKE 100KM/H 2011

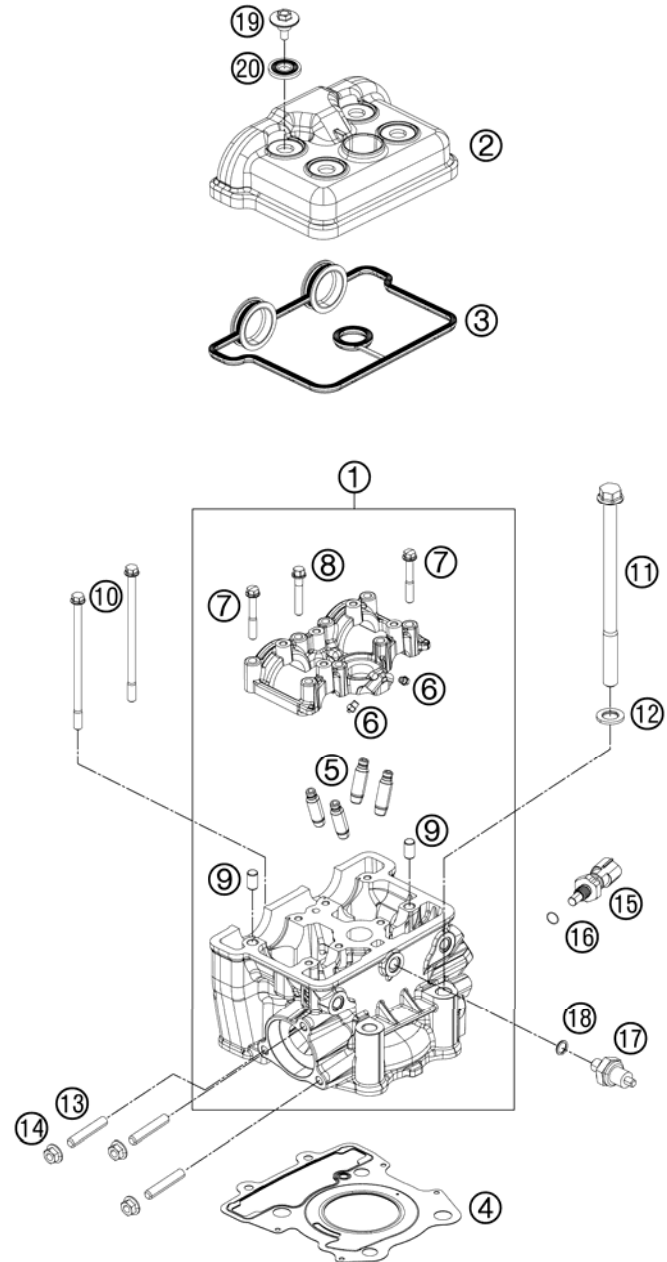


FIG	PART NUMBER	DESCRIPTION	QTY
1	90136020033	CYLINDERHEAD CPL.	1
2	90136052000	VALVE COVER	1
3	90136053000	VALVE COVER GASKET	1
4	90130036000	CYLINDER HEAD GASKET	1
5	90136025000	VALVE GUIDE	4
6	90130064000	OIL JET	4
7	J025060402	HH-COLLAR SCREW M6X40 WS10	2
8	J025060356	HH-COLLAR SCREW M6X35 WS8	6
9	90130024000	PIN DOWEL 8X6,4X14MM	2
10	90136020005	COLLAR SCREW M6	2
11	90136020003	HH COLLAR SCREW 10X147,5	4
12	90130080000	WASHER 11,2X20X2	4
13	90136020001	STUD M8	3
14	90136038000	FLANGED NUT M8 H7,5 WS12	3
15	90135047000	TEMPERATURE SENSOR	1
16	90135047001	O-RING	1
17	90138091000	OIL PRESSURE SENSOR	1
18	90138091001	O-RING	1
19	90136052020	VALVE COVER SCREW	4
20	90136052010	DECOUPLING ELEMENT	4

119013630 / C119013630

* NEW PART

X AS REQUIRED

LUBRICATING SYSTEM

125 DUKE 100KM/H 2011

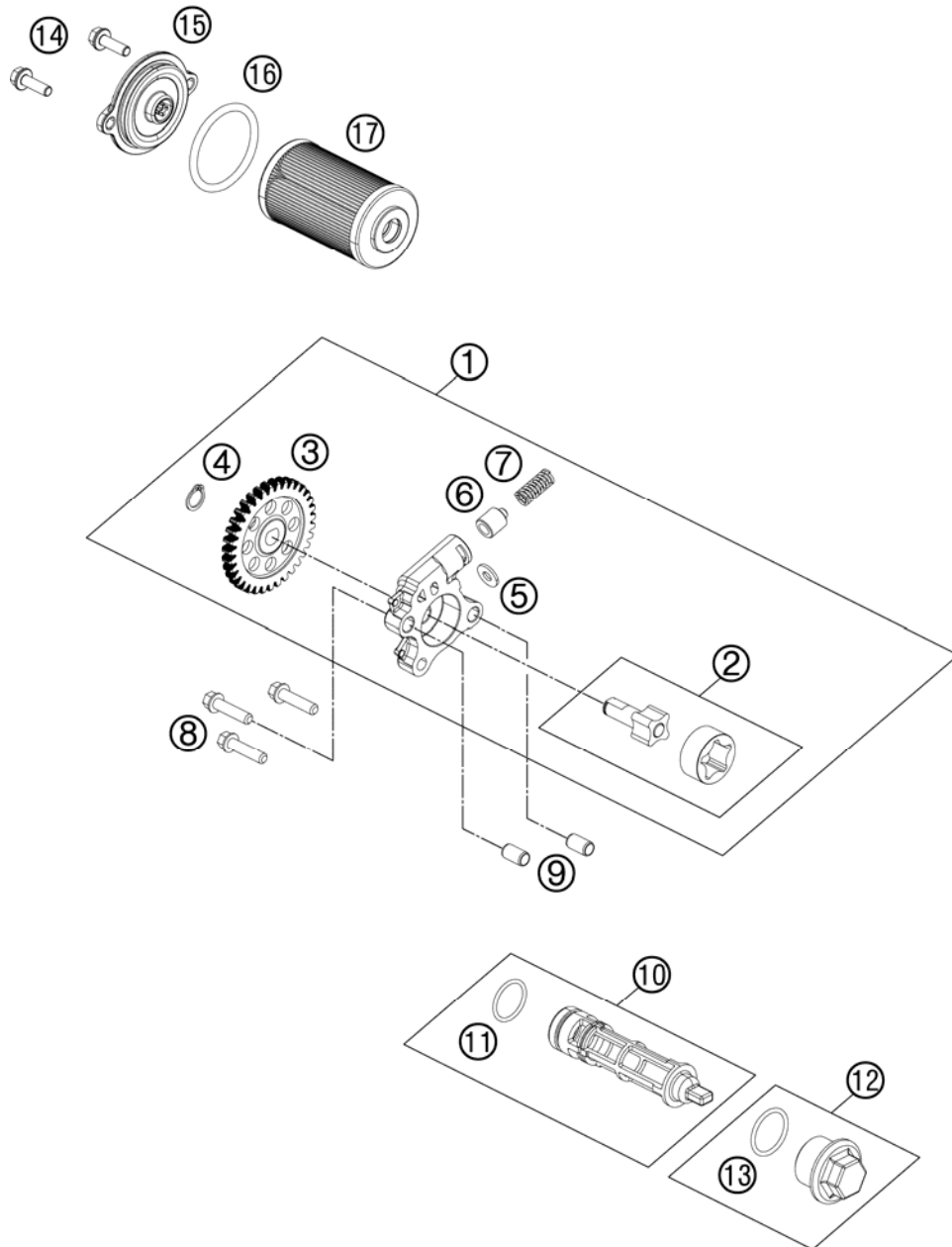


FIG	PART NUMBER	DESCRIPTION	QTY
1	90138007033	OILPUMP ZSB.	1
2	90138002044	OIL PUMP SHAFT CPL.	1
3	90138001000	OIL PUMP GEAR	1
4	90138001001	CIRCLIP	1
5	90138010003	PLAIN WASHER	1
6	90138010001	PISTON OILPUMP	1
7	90138010002	SPRING OILPUMP	1
8	J028060253	HH COLLAR SCREW M6X25 WS8	3
9	90130024000	PIN DOWEL 8X6,4X14MM	2
10	90138015033	OIL SCREEN CPL.	1
11	J770017721	O-RING 17,7X2,1 MM	1
12	90138015050	CLOSURE CAP OIL SCREEN	1
13	90138015052	O-RING	1
14	J025050166	HH COLLAR SCREW M5X16 SW8	2
15	90138015060	OIL FILTER COVER	1
16	J770039326	O-RING 39,34X2,62	1
17	90138015000	OIL FILTER	1

119013810 / C119013810

* NEW PART

X AS REQUIRED

IGNITION SYSTEM

125 DUKE 100KM/H 2011

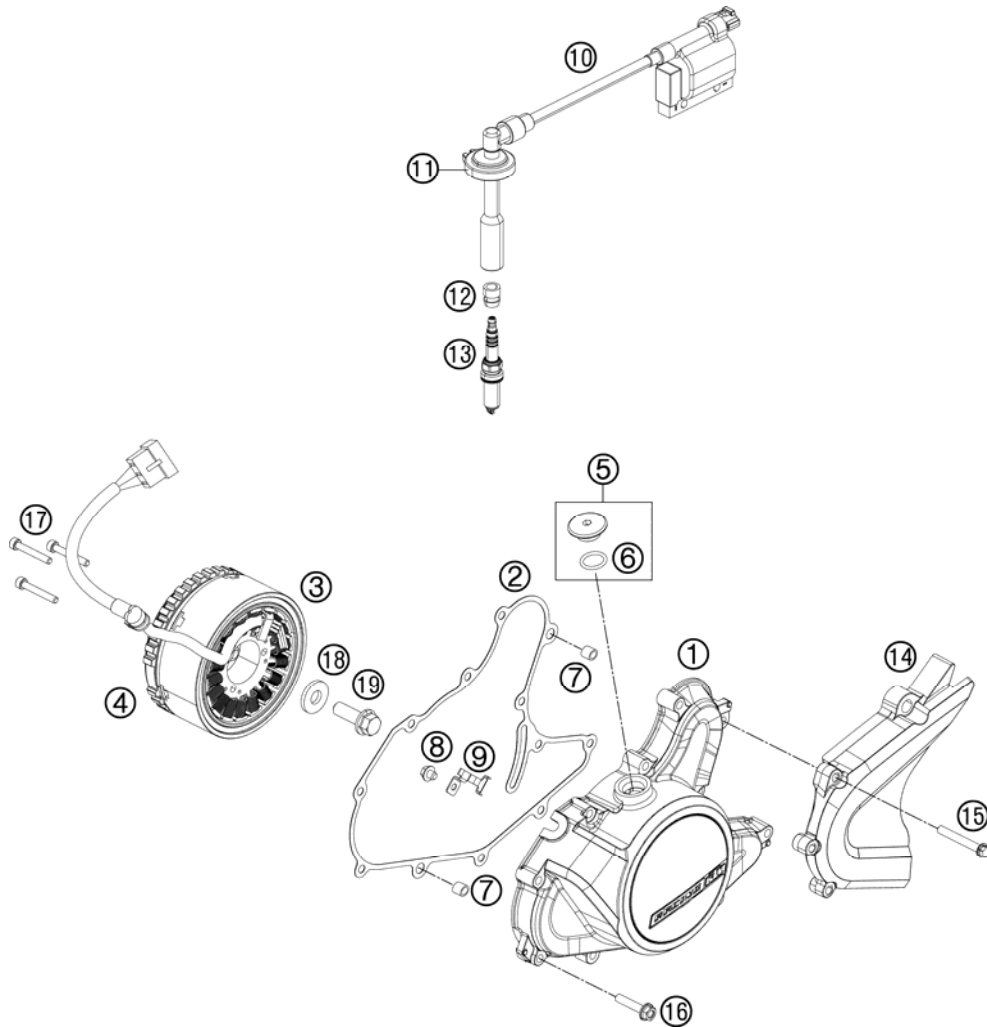


FIG	PART NUMBER	DESCRIPTION	QTY
1	90130002000	IGNITION COVER	1
2	90130040000	IGNITION COVER GASKET	1
3	90139004000	STATOR CPL.	1
4	90139005000	ROTOR CPL.	1
5	90130002010	PLUG INCL. O-RING	1
6	J770015824	O-RING 15,8X2,4	1
7	90130024000	PIN DOWEL 8X6,4X14MM	2
8	J985050103	PAN CROSS SCREW M5X10 PH	1
9	90139004002	BRACKET F. STATORCABLE	1
10	90139090033	SPARK PLUG CONNECT. CPL.	1
11	90139090001	GASKET SPARK PLUG CONNECT.	1
12	90139093001	RUBBER GASKET SPARK PLUG	1
13	90139093000	SPARK PLUG M12 (BOSCH)	1
14	90103096000	CHAIN GUARD	1
15	J025060456	HH COLLAR SCREW M6X45 SW10	3
16	J025060306	HH COLLAR SCREW M6X30 SW10	9
17	J912050353S	AH SCREW M5X35 SELF LOCKING	3
18	90130028050	WASHER	1
19	90130028000	FLANGED BOLT M10X1,25X30	1

119013910 / C119013910

* NEW PART

X AS REQUIRED

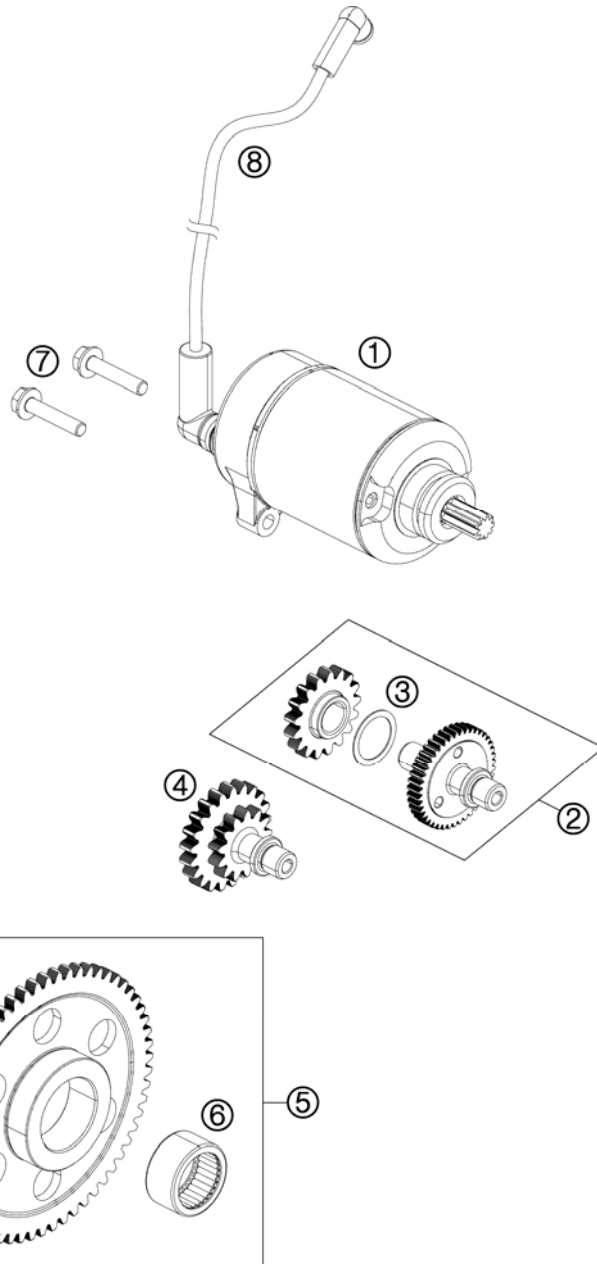


FIG	PART NUMBER	DESCRIPTION	QTY
1	90140001000	E-STARTER ENGINE CPL.	1
2	90140023033	TORQUE LIMITER CPL.	1
3	90140023045	SHIM 0,45 MM	x
3	90140023060	SHIM 0,6 MM	1
3	90140023075	SHIM 0,75 MM	x
3	90140023090	SHIM 0,9 MM	x
4	90140022000	INTERMEDIATE STARTING GEAR	1
5	90140020000	FREEWHEEL GEAR CPL.	1
6	J618253216	NEEDLE ROLLER BEARING HK2516	1
7	J025060256	HH COLLAR SCREW M6X25 SW10	2
8	90111059000	STARTER CABLE	1

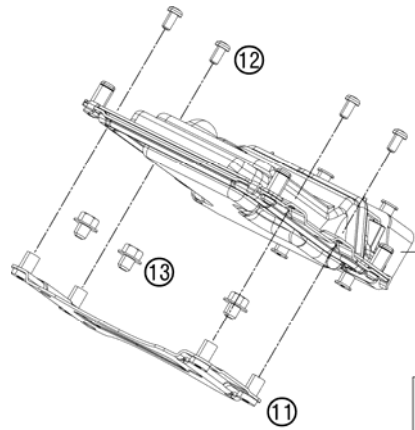
119014010 / C119014010

* NEW PART

X AS REQUIRED

THROTTLE BODY

125 DUKE 100KM/H 2011



ACHTUNG !!!
Steuergerät ist nur über 'Spezialbestellung' im Dealer.net erhältlich. **!**

CAUTION !!!
ECU is orderable in Dealer.net as 'special order' only!

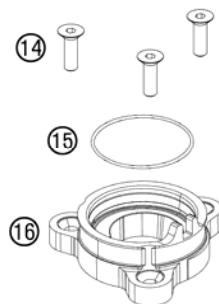
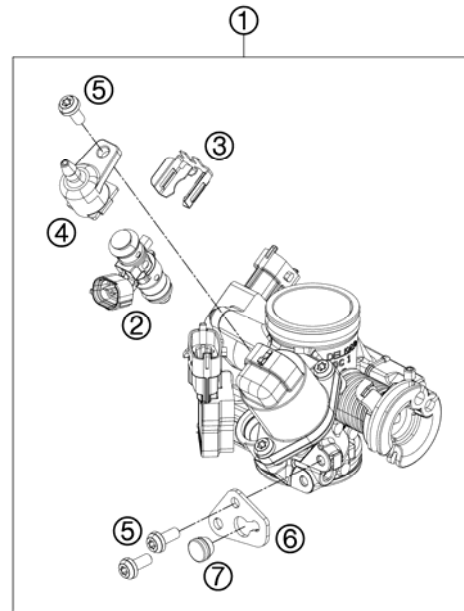
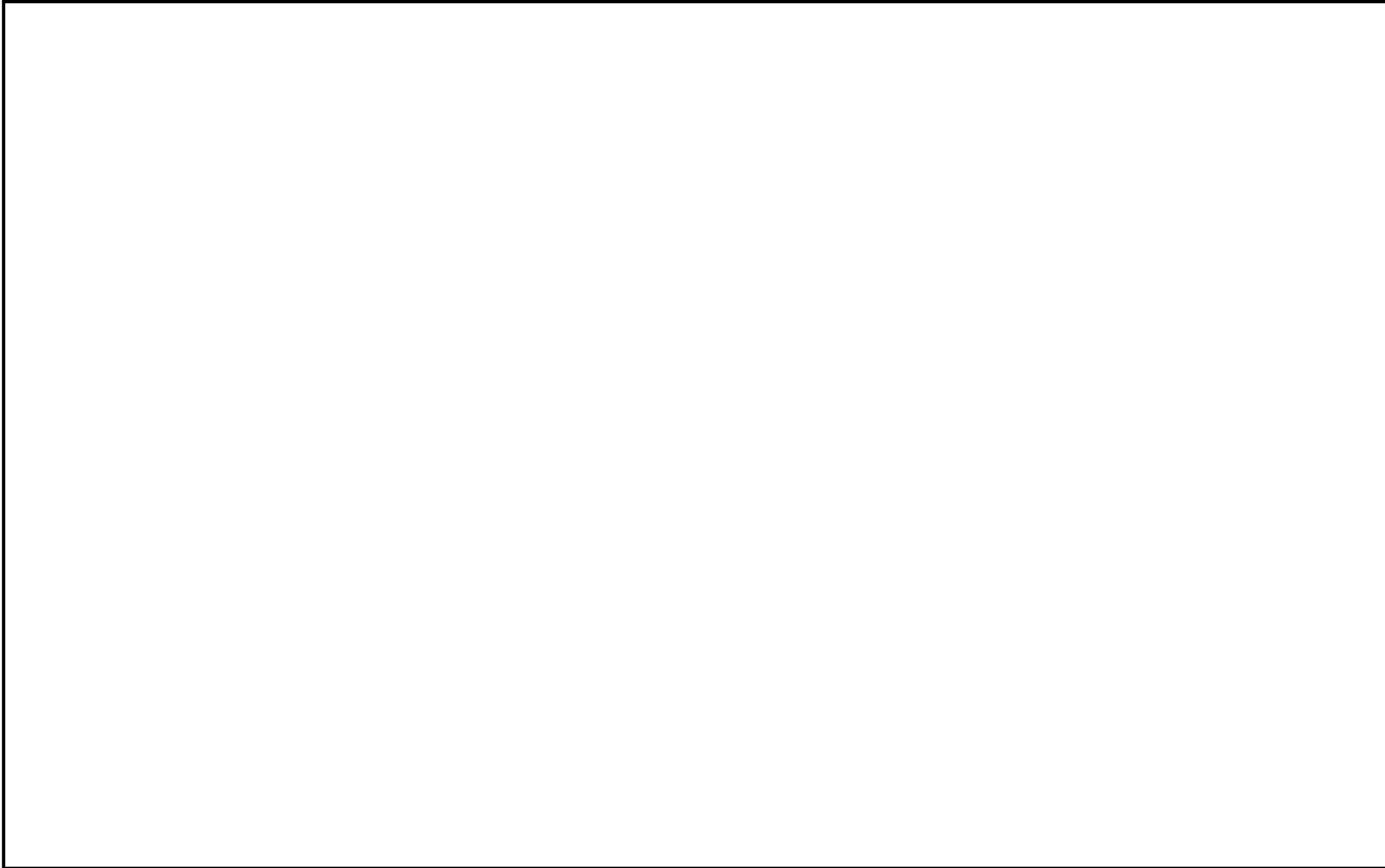


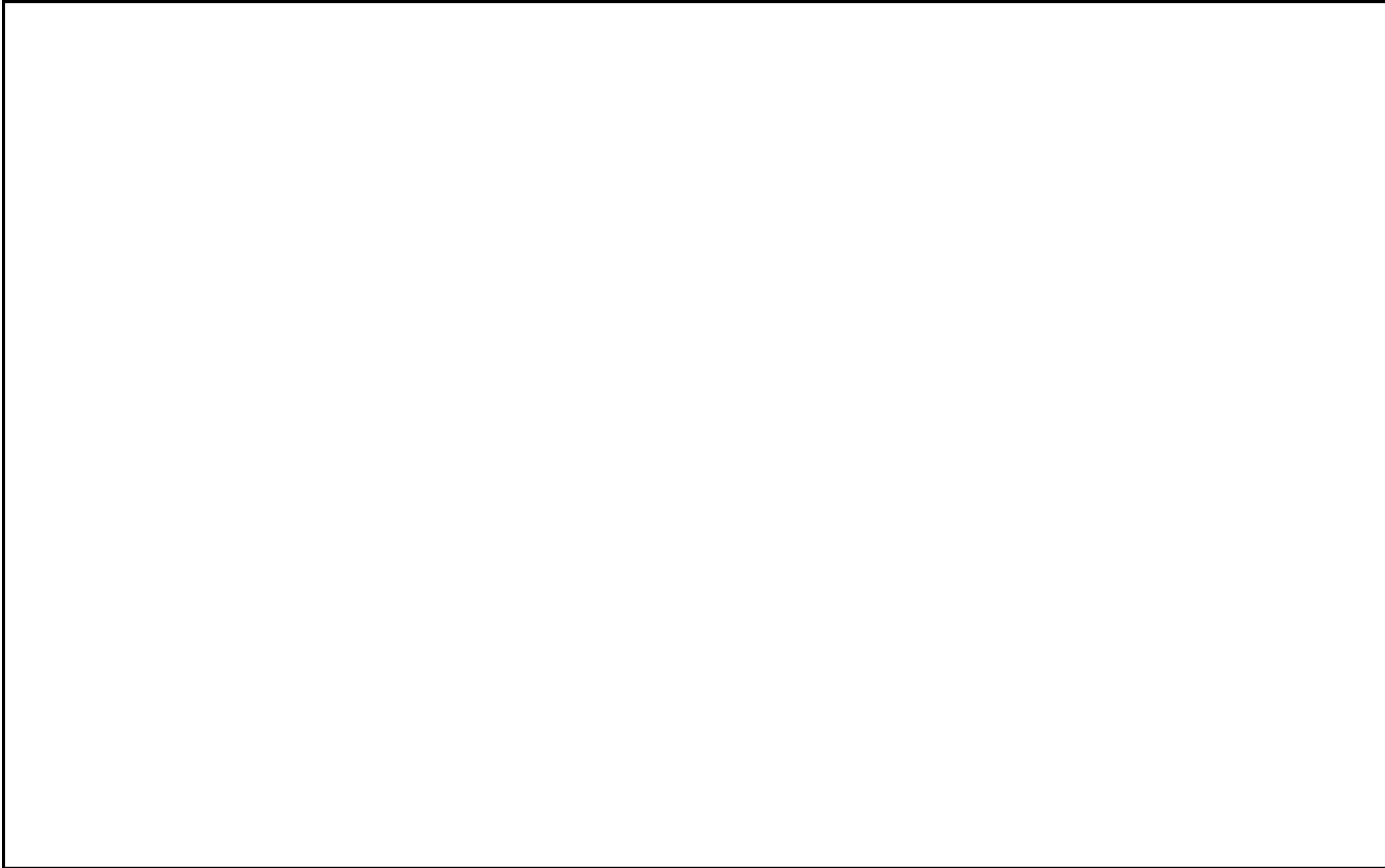
FIG	PART NUMBER	DESCRIPTION	QTY
1	90141001000	THROTTLE BODY CPL.	1
2	90141023000	FUEL INJECTOR	1
3	90141023001	CLAMP F. INJECTOR	1
4	90141023004	CONNECTOR FUEL RAIL	1
5	90141023005	SPECIAL SCREW M5X12	3
6	90141023002	CABLE SUPPORT	1
7	90141023003	GROMMET	1
11	90141029000	BRACKET TIMING CHARGER	1
12	J005040081	FLAT HEAD SCREW M4X8 PH	4
13	J027050063	HH COLLAR SCREW M5X6 SW8	3
14	J991060203	FLAT HEAD SCREW M6X20	3
15	90141002006	O-RING CONN. FL. CYL.-THR.BODY	1
16	90141002000	CONN. FLANGE CYLINDER-THR.BODY	1

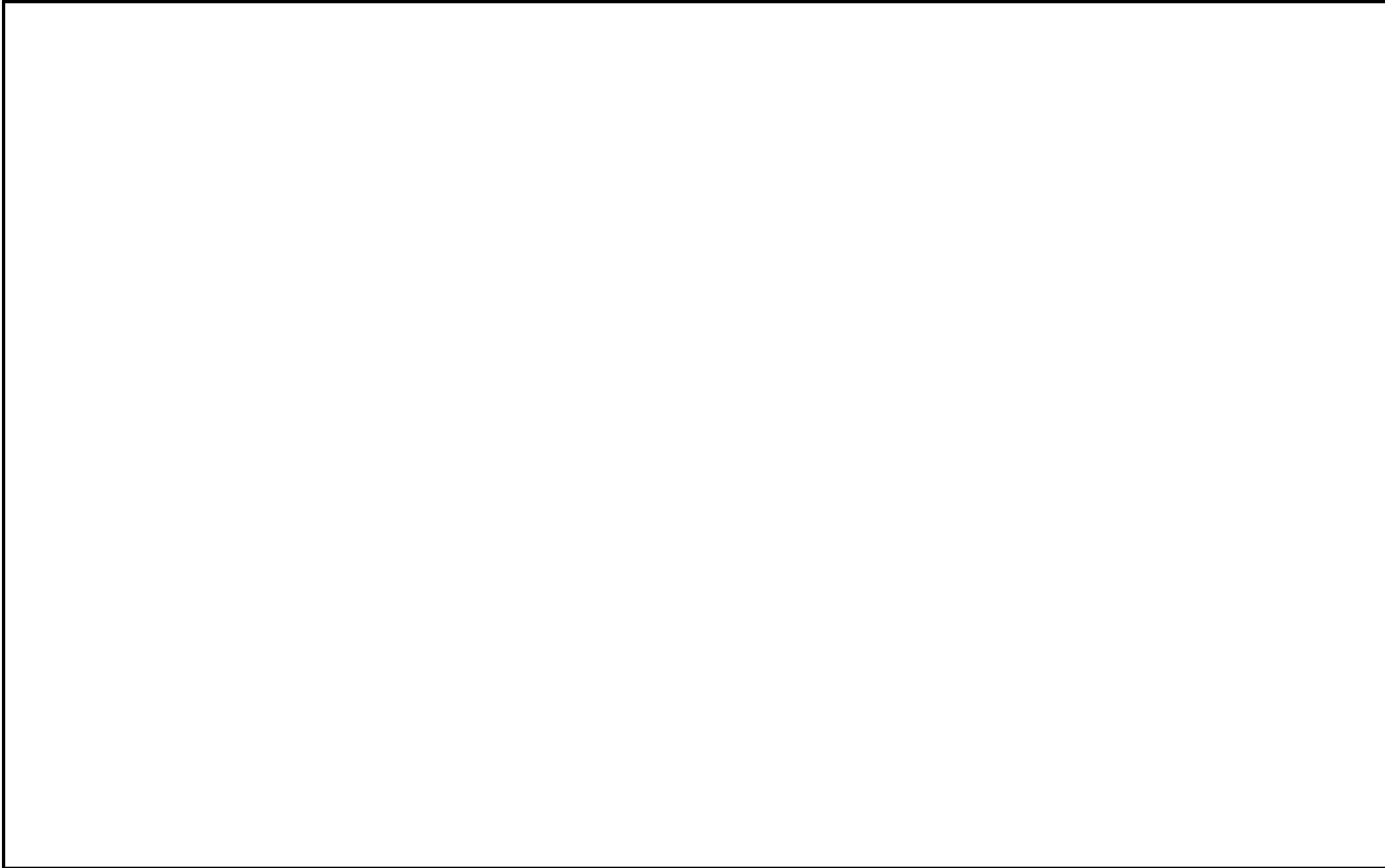
119014110 / C119014110

* NEW PART

X AS REQUIRED









KTM-Sportmotorcycle AG
A-5230 Mattighofen
www.ktm.at

KTM Group Partner



3CM081200KEN



Art.Nr.: 3CM081200KEN 3/2011