

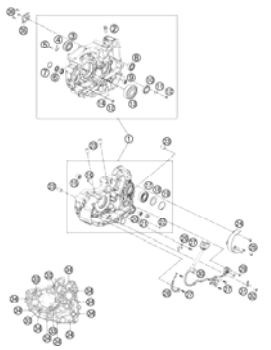
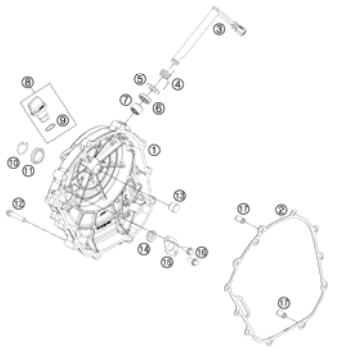
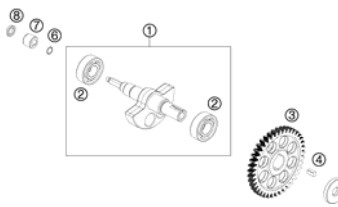
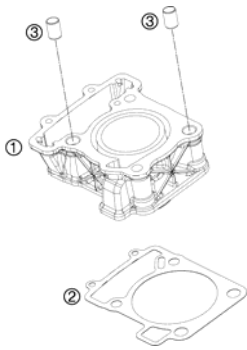
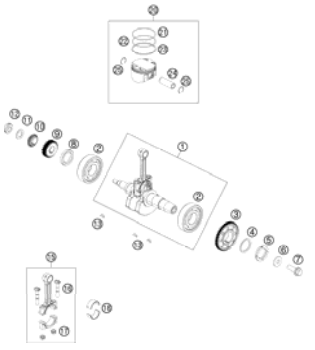
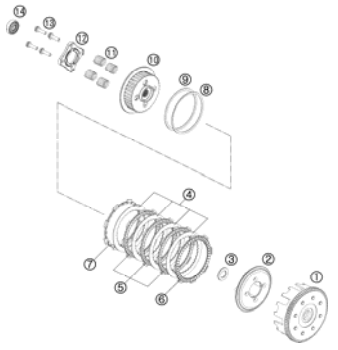
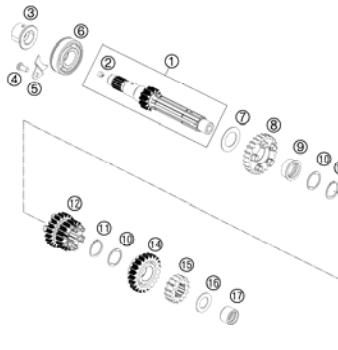
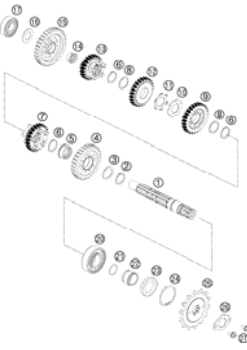

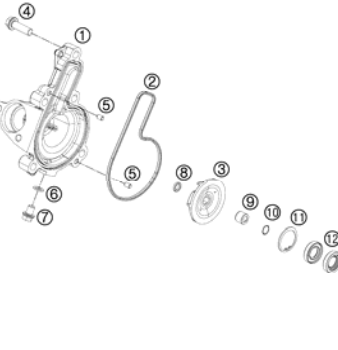

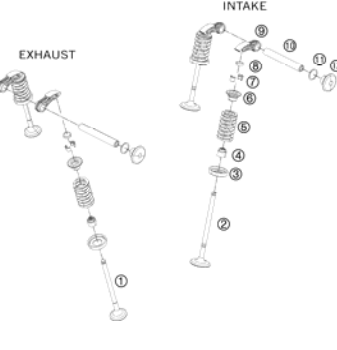
125 DUKE 80KM/H 2011

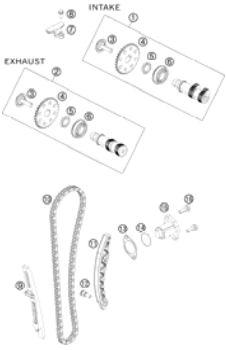
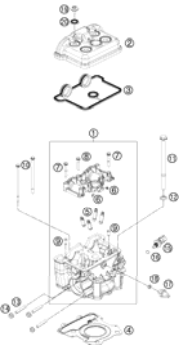
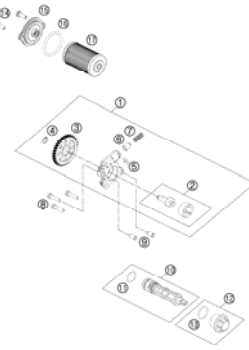
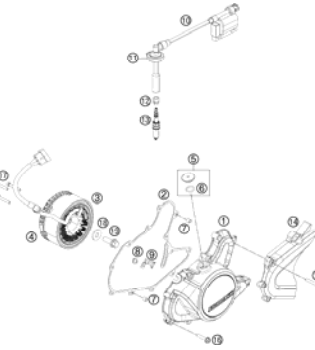
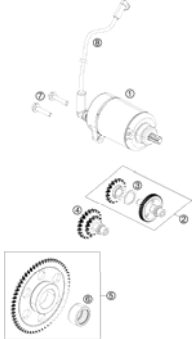

SPARE PARTS MANUAL: ENGINE

ART.NO.: 3CM081205KEN

ENGLISH

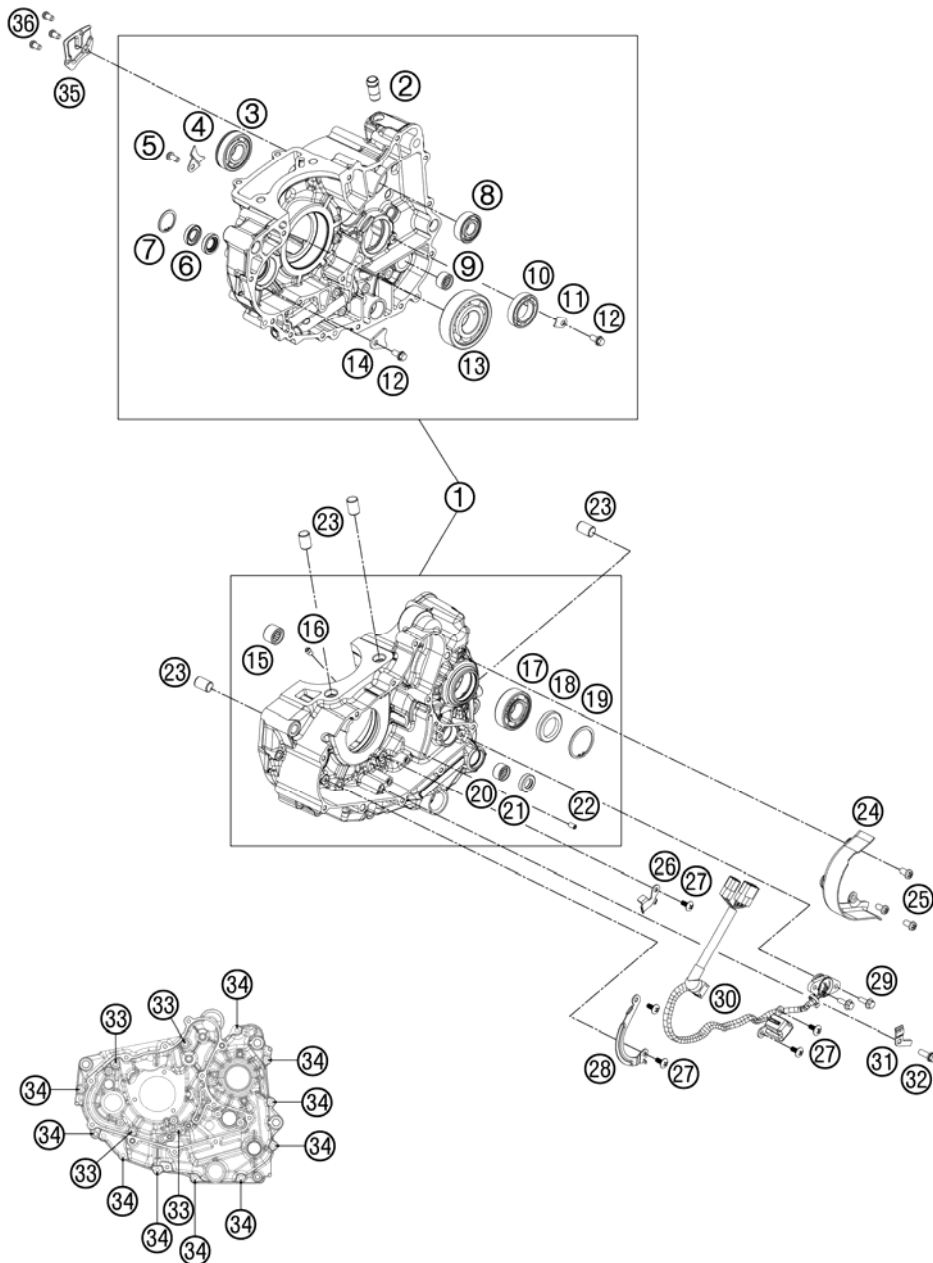


| | | | |
|---------------------------------------------------------------------------------------------------------------------------------------|--------------------------------------------------------------------------------------------------------------------------------|------------------------------------------------------------------------------------------------------------------------------------------------|---------------------------------------------------------------------------------------------------------------------------------------------------|
| <p>ENGINE CASE</p>  <p>3</p> | <p>CLUTCH COVER</p>  <p>5</p> | <p>BALANCER SHAFT</p>  <p>6</p> | <p>CYLINDER</p>  <p>7</p> |
| <p>CRANKSHAFT, PISTON</p>  <p>8</p> | <p>CLUTCH</p>  <p>9</p> | <p>TRANSMISSION I - MAIN SHAFT</p>  <p>10</p> | <p>TRANSMISSION II - COUNTERSHAFT</p>  <p>11</p> |
| <p>SHIFTING MECHANISM</p>  <p>12</p> | <p>WATER PUMP</p>  <p>13</p> | <p>COOLING SYSTEM</p>  <p>14</p> | <p>VALVE DRIVE</p>  <p>15</p> |

| | | | |
|--------------------------------------------------------------------------------------------------------------------------------------------------------------|-----------------------------------------------------------------------------------------------------------------------------------------------------------|------------------------------------------------------------------------------------------------------------------------------------------------------------------------------------------------------------------------------------------------------------------------------------------------------------------------------------------------------------------------------------------------------------------------------------------------------------------------------------------------------------------------------------------------------------------------------------------------------------------------------------------------------------------------------------------------------------------------------------------------------------------------------------------------------------------------------------------------------------------------------------------------------------------------------------------------------------------------------------------------------------------------------------------------------------------------------------------------------------------------------------------------------------------------------------------------------------|---------------------------------------------------------------------------------------------------------------------------------------------------------------|
| <p>TIMING DRIVE</p>  <p style="text-align: right;">16</p> | <p>CYLINDER HEAD</p>  <p style="text-align: right;">17</p> | <p>LUBRICATING SYSTEM</p>  <p style="text-align: right;">18</p> | <p>IGNITION SYSTEM</p>  <p style="text-align: right;">19</p> |
| <p>ELECTRIC STARTER</p>  <p style="text-align: right;">20</p> | <p>THROTTLE BODY</p>  <p style="text-align: right;">21</p> | | |
| | | <div style="display: flex; align-items: center;"> <div style="background-color: #cccccc; width: 60px; height: 100px; display: flex; align-items: center; justify-content: center; margin-right: 20px;"> ! </div> <div> <p>All information contained is without obligation. KTM-Sportmotorcycle AG particularly reserves the right to modify any equipment, technical specifications, prices, colors, shapes, materials, services, service work, constructions, equipment and the like so as to adapt them to local conditions or to cancel any of the above items, all without previous announcement and without giving reasons. KTM may stop manufacturing certain models without previous notice. KTM shall not be held liable for any deviations of availability and/or ability to deliver, illustrations, descriptions, printing and/or other errors. The illustrated models partly contain extra equipment, which is not applied to standard models. © by KTM-SPORTMOTORCYCLE AG, Mattighofen AUSTRIA; All rights reserved; Reprint, also in extracts, with written allowance of KTM-SPORTMOTORCYCLE AG, Mattighofen only.</p> </div> </div> | |

ENGINE CASE

125 DUKE 80KM/H 2011



| FIG | PART NUMBER | DESCRIPTION | QTY |
|-----|-------------|--------------------------------|-----|
| 1 | 9013000044 | ENGINE CASE CPL. | 1 |
| 2 | 90130022000 | VENTILATION CONNECTOR | 1 |
| 3 | J625062040 | GROOVED BALL BEARING 6204 | 1 |
| 4 | 90130004002 | LOCK WASHER F.BEARING DRIVE | 1 |
| 5 | J005160123 | FLAT HEAD SCREW M6X12 PH | 1 |
| 6 | J760122455 | SHAFT SEALING RING 12X24X5,5 | 2 |
| 7 | J472025120 | CIRCLIP 25X1,2 | 1 |
| 8 | 90130004003 | BALL BEARING 15X35X11 | 1 |
| 9 | J618131912 | NEEDLE ROLLER BEARING HK1312 | 1 |
| 10 | 90130004004 | BALL BEARING 25X42X9 | 1 |
| 11 | 90130078000 | LOCK WASHER | 1 |
| 12 | 90130078001 | FLANGED BOLT 6X12 | 2 |
| 13 | 90130082000 | BALL BEARING 63/2/8 HN3CNP | 1 |
| 14 | 90130079000 | LOCK WASHER F.BEARING AGW | 1 |
| 15 | J618152114 | NEEDLE BEAR. HK1514RS 15X21X14 | 1 |
| 16 | 90130064000 | OIL JET | 1 |
| 17 | J625062041 | BALL BEARING 6204-Z/HN3 | 1 |
| 18 | J760253706 | SHAFT SEAL RING 25X37X6 | 1 |
| 19 | J472037150 | CIRCLIP 37X1,5 | 1 |
| 20 | J618131912 | NEEDLE ROLLER BEARING HK1312 | 1 |
| 21 | 90130003004 | SEAL RING 13X22X5,5 | 1 |
| 22 | 90130058000 | OILJET | 1 |
| 23 | 90130003007 | DOWEL D14 | 4 |
| 24 | 90130047000 | CHAIN GUARD | 1 |
| 25 | J005060123 | FLAT HEAD SCREW M6X12 PH | 3 |
| 26 | 90130003005 | CABLE SUPPORT BELOW | 1 |
| 27 | J005050106S | FLAT HEAD SCREW M5X1 SS | 5 |
| 28 | 90130003006 | CABLE SUPPORT ABOVE | 1 |
| 29 | J025050163 | HH-COLLAR SCREW M5X16 WS8 | 2 |
| 30 | 90111023000 | GEAR-POS.SENSOR INL.PULS. COIL | 1 |
| 31 | 90140020002 | BRACKET F. FREE WHEEL GEAR | 1 |
| 32 | J028060163 | HH-COLLAR SCREW M6X16 WS8 | 1 |
| 33 | J025060606 | HH COLLAR SCREW M6X60 SW10 | 4 |
| 34 | J025060406 | HH COLLAR SCREW M6X40 SW10 | 10 |
| 35 | 90130042000 | VENTILATIONBRACKET | 1 |

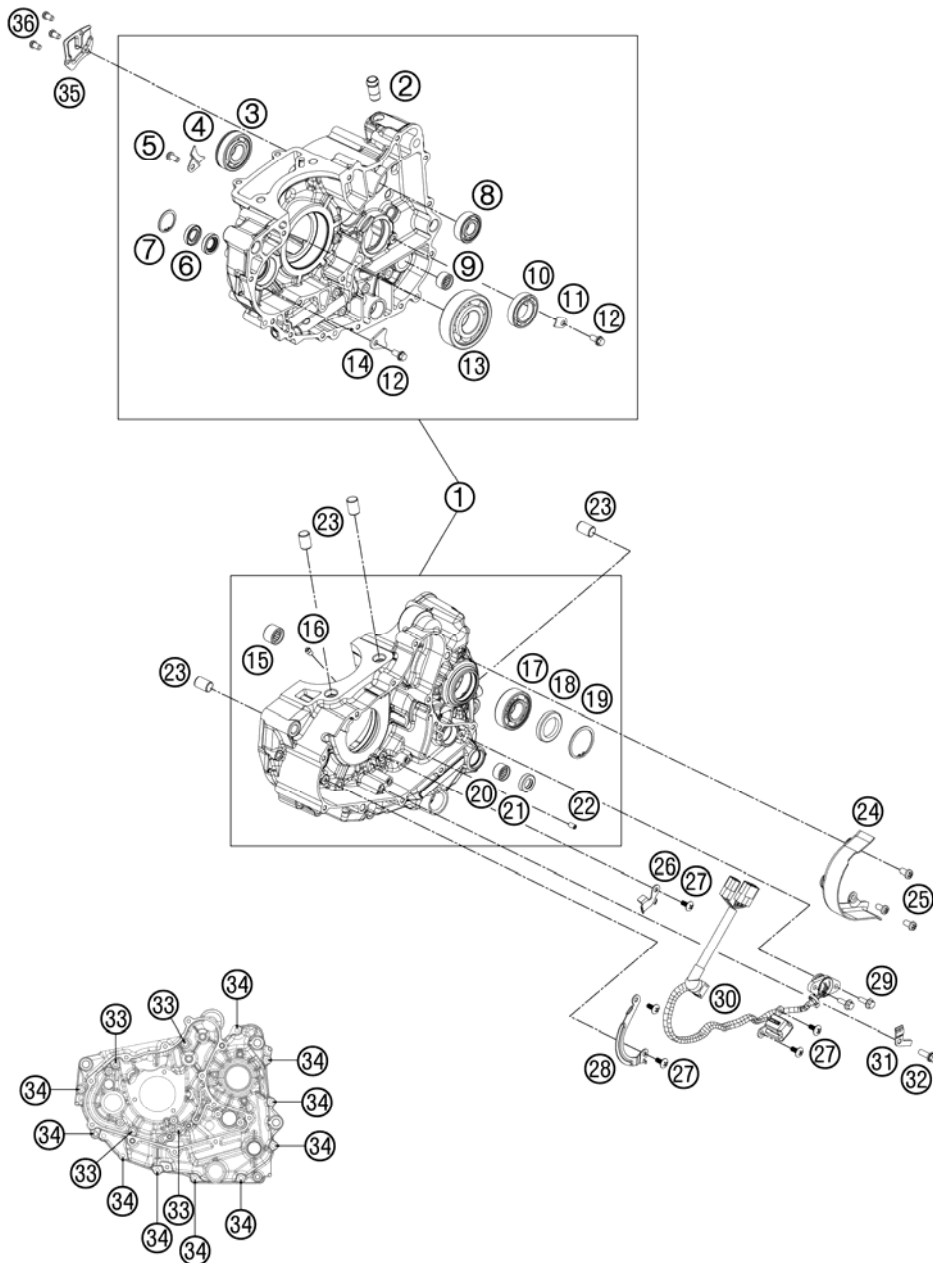
119013010 / C119013010

* NEW PART

X AS REQUIRED

ENGINE CASE

125 DUKE 80KM/H 2011



| FIG | PART NUMBER | DESCRIPTION | QTY |
|-----|-------------|--------------------------|-----|
| 36 | J985050103 | PAN CROSS SCREW M5X10 PH | 3 |

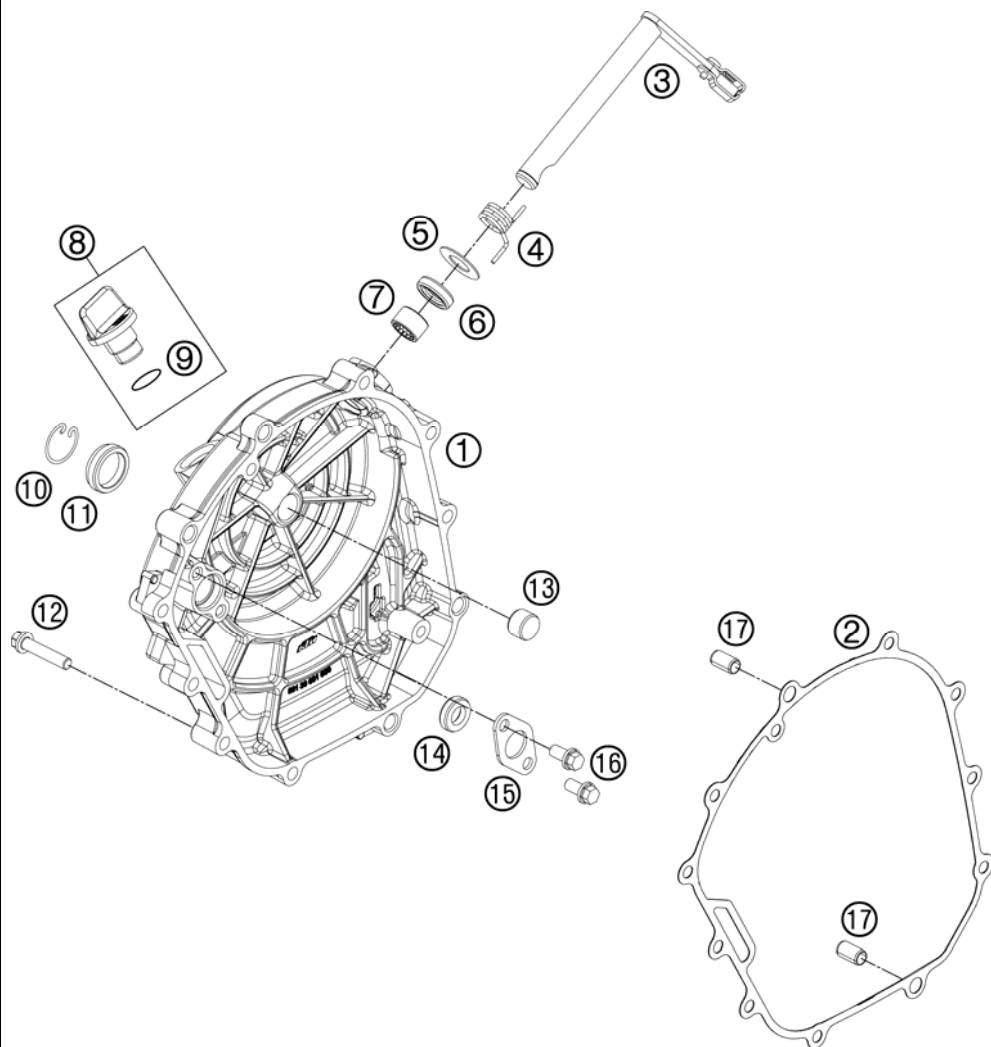
119013010 / C119013010

* NEW PART

X AS REQUIRED

CLUTCH COVER

125 DUKE 80KM/H 2011



| FIG | PART NUMBER | DESCRIPTION | QTY |
|-----|-------------|------------------------------|-----|
| 1 | 90130026000 | CLUTCH COVER | 1 |
| 2 | 90130027000 | GASKET CLUTCH COVER | 1 |
| 3 | 90132048033 | SHAFT CLUTCH ACTIVATION CPL. | 1 |
| 4 | 90132048004 | SPRING F. RELEASE LEVER | 1 |
| 5 | 90132048005 | WASHER 12,5X24X0,8MM | 1 |
| 6 | 90132051000 | OIL SEAL RING | 1 |
| 7 | 90132050000 | NEEDLE BEARING | 1 |
| 8 | 90130020000 | OIL PLUG | 1 |
| 9 | J770013824 | O-RING 13,8X2,4 | 1 |
| 10 | 90130095001 | WIRE CIRCLIP 28X1,5 | 1 |
| 11 | 90130095000 | OIL LEVEL GLASS | 1 |
| 12 | J025060306 | HH COLLAR SCREW M6X30 SW10 | 11 |
| 13 | 90132054000 | PUSH ROD | 1 |
| 14 | 90134027000 | OIL SEAL RING | 1 |
| 15 | 90130026002 | COVER PLATE | 1 |
| 16 | 90130078001 | FLANGED BOLT 6X12 | 2 |
| 17 | 90130024000 | PIN DOWEL 8X6,4X14MM | 2 |

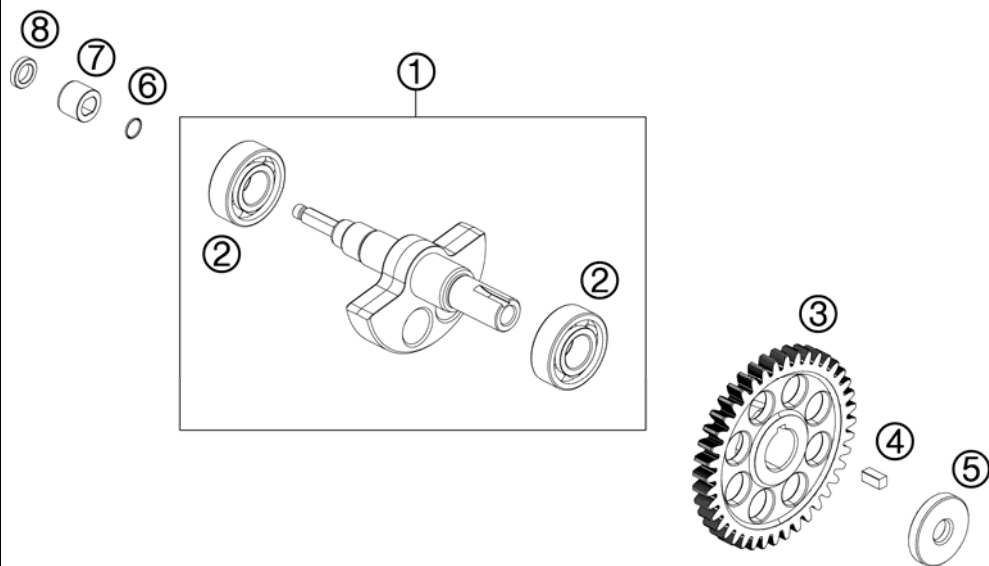
119013020 / C119013020

* NEW PART

X AS REQUIRED

BALANCER SHAFT

125 DUKE 80KM/H 2011



| FIG | PART NUMBER | DESCRIPTION | QTY |
|-----|-------------|--------------------------------|-----|
| 1 | 90130057033 | BALANCER SHAFT CPL. | 1 |
| 2 | J625062020 | BALL BEARING 6202 | 2 |
| 3 | 90130055000 | DRIVE WHEEL BALANCER SHAFT | 1 |
| 4 | 90130055001 | CLUTCH HUB DRIVE WHEEL BAL.SHA | 1 |
| 5 | 90130057050 | WASHER 8,2X26X4,5 "0" | 1 |
| 6 | J770007075 | O-RING 7X0,75 | 1 |
| 7 | 90130055004 | BUSHING | 1 |
| 8 | 90130055006 | SPACER SHIM | 1 |

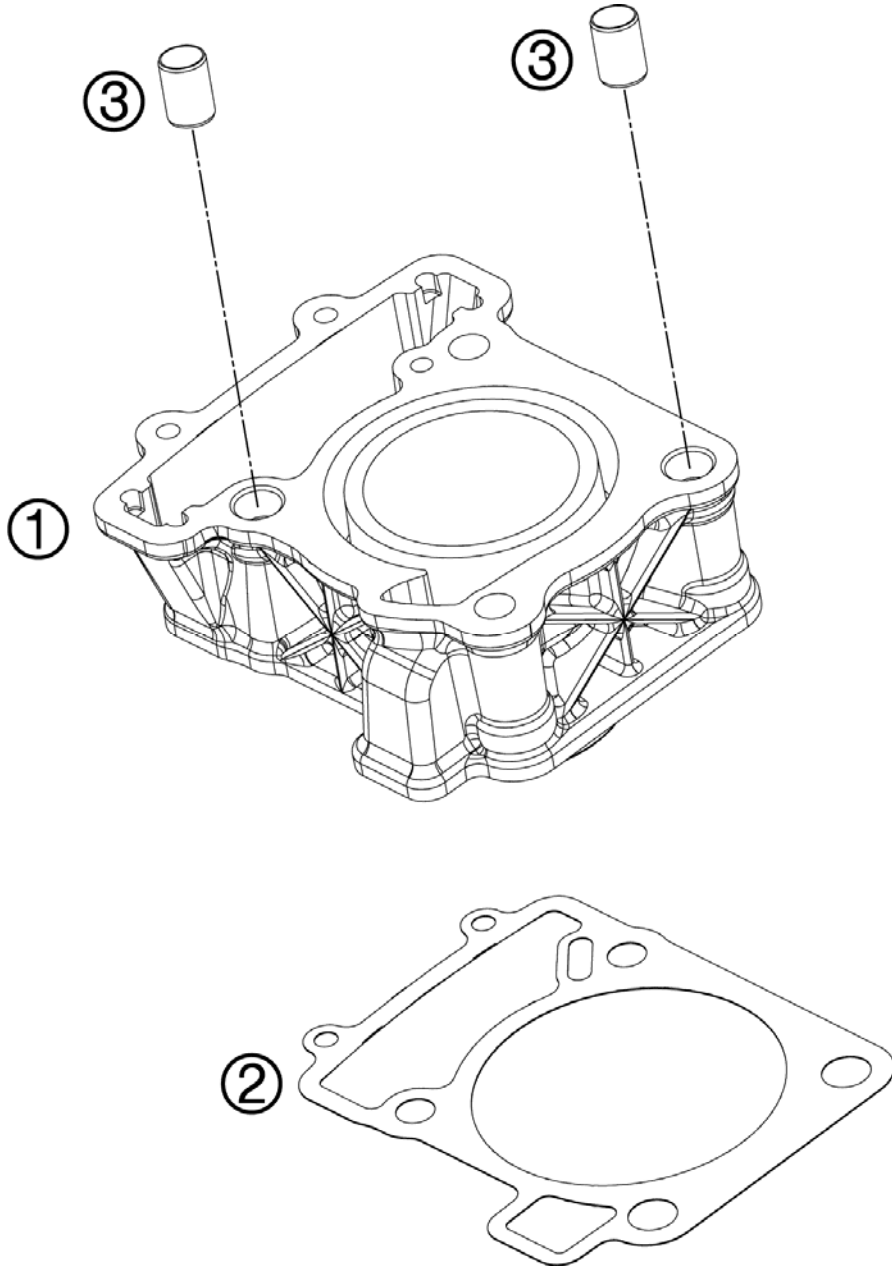
119013030 / C119013030

* NEW PART

X AS REQUIRED

CYLINDER

125 DUKE 80KM/H 2011



| FIG | PART NUMBER | DESCRIPTION | QTY |
|-----|-------------|----------------------|-----|
| 1 | 90130005000 | CYLINDER CPL. | 1 |
| 2 | 90130035000 | CYLINDER BASE GASKET | 1 |
| 3 | 90130003007 | DOWEL D14 | 2 |

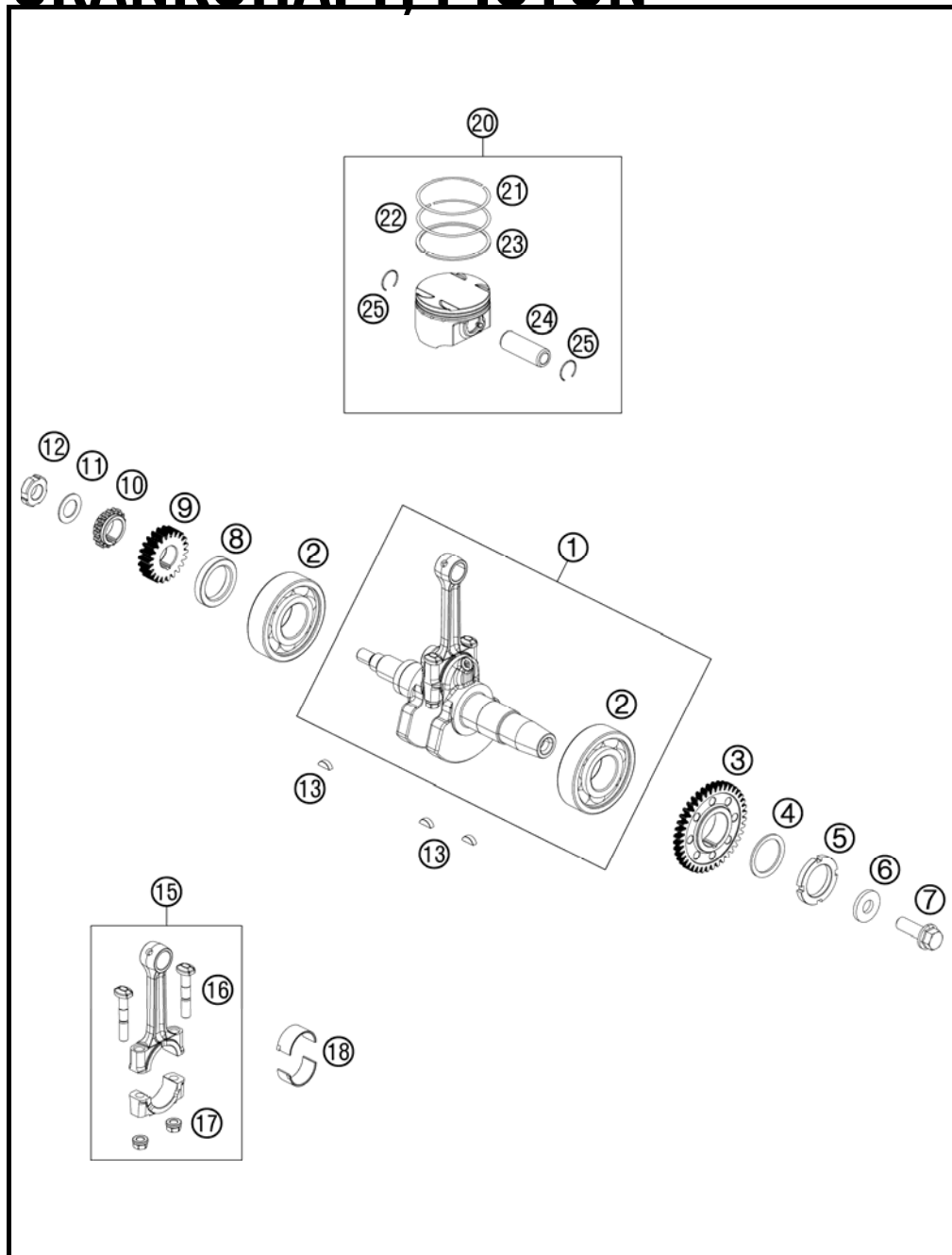
119013040 / C119013040

* NEW PART

X AS REQUIRED

CRANKSHAFT, PISTON

125 DUKE 80KM/H 2011



| FIG | PART NUMBER | DESCRIPTION | QTY |
|-----|-------------|-----------------------------|-----|
| 1 | 90130018000 | CRANKSHAFT CPL. | 1 |
| 2 | 90130082000 | BALL BEARING 63/2/8 HN3CNP | 2 |
| 3 | 90130018006 | DRIVE WHEEL CRANKSH. F. AGW | 1 |
| 4 | 90130018007 | BELLEVILLE SPRING | 1 |
| 5 | 90130018008 | NUT FOR DRIVE WHEEL AGW | 1 |
| 6 | 90130028050 | WASHER | 1 |
| 7 | 90130028000 | FLANGED BOLT M10X1,25X30 | 1 |
| 8 | 90130018003 | SPACER SHIM | 1 |
| 9 | 90132024000 | PRIMARY GEAR 22T. | 1 |
| 10 | 90136014017 | TIMING GEAR 17 T. | 1 |
| 11 | 90130029050 | WASHER PRIMARY DRIVE GEAR | 1 |
| 12 | J080414107 | SLOTTED NUT M14X1 H=7 | 1 |
| 13 | J888040050 | WOODRUFF KEY 4X5X13 | 3 |
| 15 | 90130015000 | CONNECTING ROD CPL. | 1 |
| 16 | 90130015001 | CONNECTING-ROD BOLT | 2 |
| 17 | 90130015002 | NUT F. CONNECTING-ROD BOLT | 2 |
| 18 | 90130015010 | SPLIT BEAR. BUSH | 2 |
| 20 | 90130007000 | PISTON CPL. | 1 |
| 21 | 90130030000 | PISTONRING ATOP | 1 |
| 22 | 90130031000 | PISTONRING MIDDLE | 1 |
| 23 | 90130032000 | OIL SCRAPER RING | 1 |
| 24 | 90130033000 | PISTON BOLT | 1 |
| 25 | 90130074000 | CIRCLIP | 2 |

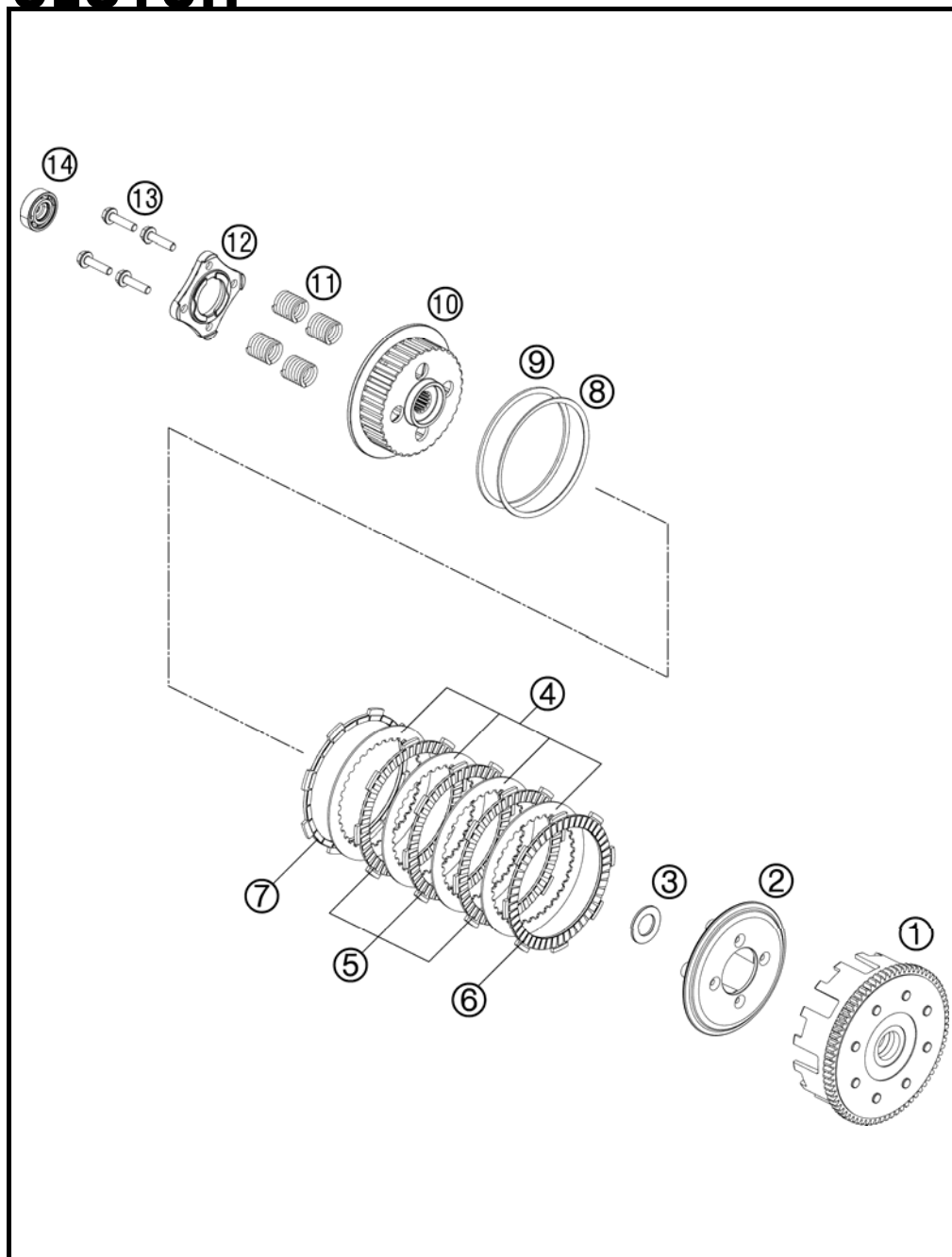
119013060 / C119013060

* NEW PART

X AS REQUIRED

CLUTCH

125 DUKE 80KM/H 2011



| FIG | PART NUMBER | DESCRIPTION | QTY |
|-----|-------------|------------------------|-----|
| 1 | 90132001044 | OUTER CLUTCH HUB CPL. | 1 |
| 2 | 90132003000 | PRESSURE CAP | 1 |
| 3 | 90132020000 | STOP DISK | 1 |
| 4 | 90132010000 | INTERMEDI. DISC | 4 |
| 5 | 90132011000 | LINING DISK | 3 |
| 6 | 90132111000 | LINING DISK INSIDE | 1 |
| 7 | 90132211000 | LINING DISC TURNED OFF | 1 |
| 8 | 90132034000 | BELLEVILLE SPRING | 1 |
| 9 | 90132035000 | SUPPORT RING | 1 |
| 10 | 90132002000 | INNER CLUTCH HUB | 1 |
| 11 | 90132005000 | CLUTCH SPRING | 4 |
| 12 | 90132006000 | PRESSURE PLATE | 1 |
| 13 | 90132001001 | COLLAR SCREW 6X25 | 4 |
| 14 | 90132095000 | CLUTCH LIFTER BEARING | 1 |

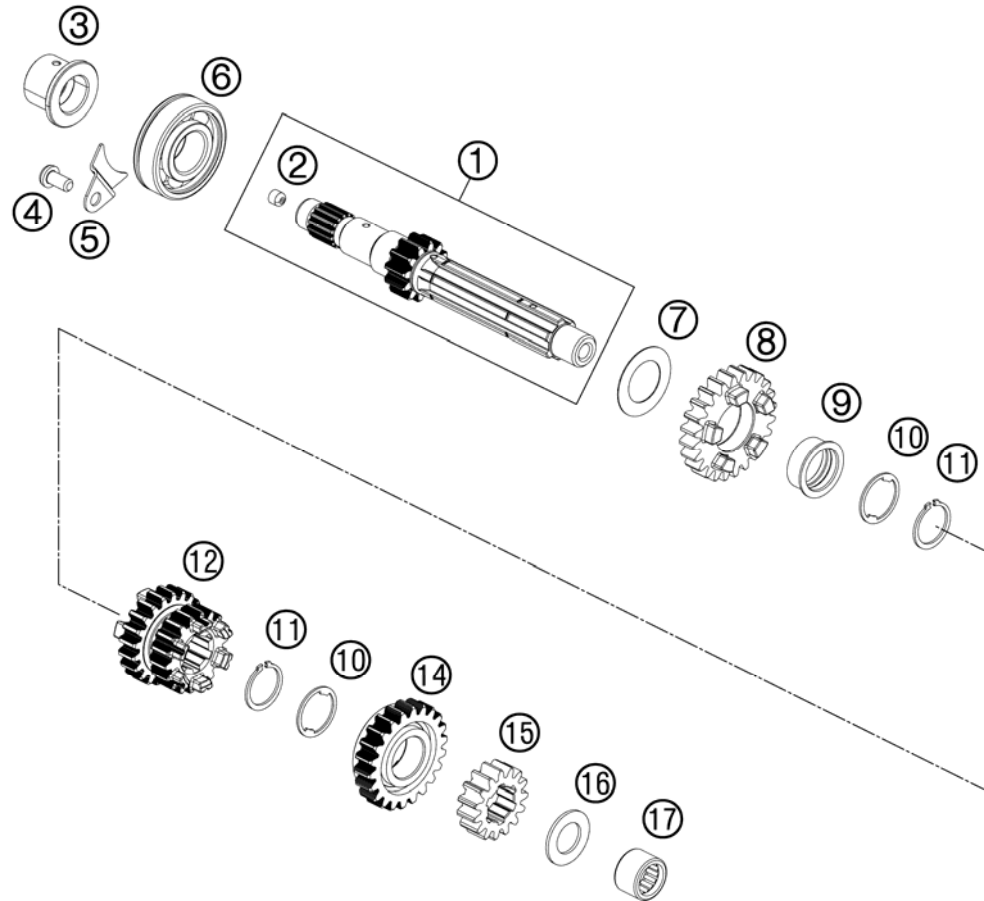
119013210 / C119013210

* NEW PART

X AS REQUIRED

TRANSMISSION I - MAIN SHAFT

125 DUKE 80KM/H 2011



| FIG | PART NUMBER | DESCRIPTION | QTY |
|-----|-------------|--------------------------------|-----|
| 1 | 90133001000 | MAIN SHAFT CPL. | 1 |
| 2 | 90133001001 | JET MAIN SHAFT | 1 |
| 3 | 90133001011 | COLLAR BUSHING MAIN SHAFT | 1 |
| 4 | J005060123 | FLAT HEAD SCREW M6X12 PH | 1 |
| 5 | 90130004002 | LOCK WASHER F.BEARING DRIVE | 1 |
| 6 | J625062040 | GROOVED BALL BEARING 6204 | 1 |
| 7 | 90133032000 | WASHER 20X33X0,5 | 1 |
| 8 | 90133006000 | DRIVE WHEEL 6. GEAR | 1 |
| 9 | 90133001003 | BUSHING | 1 |
| 10 | 90133001004 | SHIM WASHER | 2 |
| 11 | J471020120 | CIRCLIP 20X1,2 | 2 |
| 12 | 90133003000 | DRIVE WHEEL 3. G./4.G. | 1 |
| 14 | 90133005000 | DRIVE WHEEL 5. GEAR | 1 |
| 15 | 90133002000 | DRIVE WHEEL 2. GEAR | 1 |
| 16 | 90133033000 | WASHER 15X26X1,5 | 1 |
| 17 | J618152114 | NEEDLE BEAR. HK1514RS 15X21X14 | x |

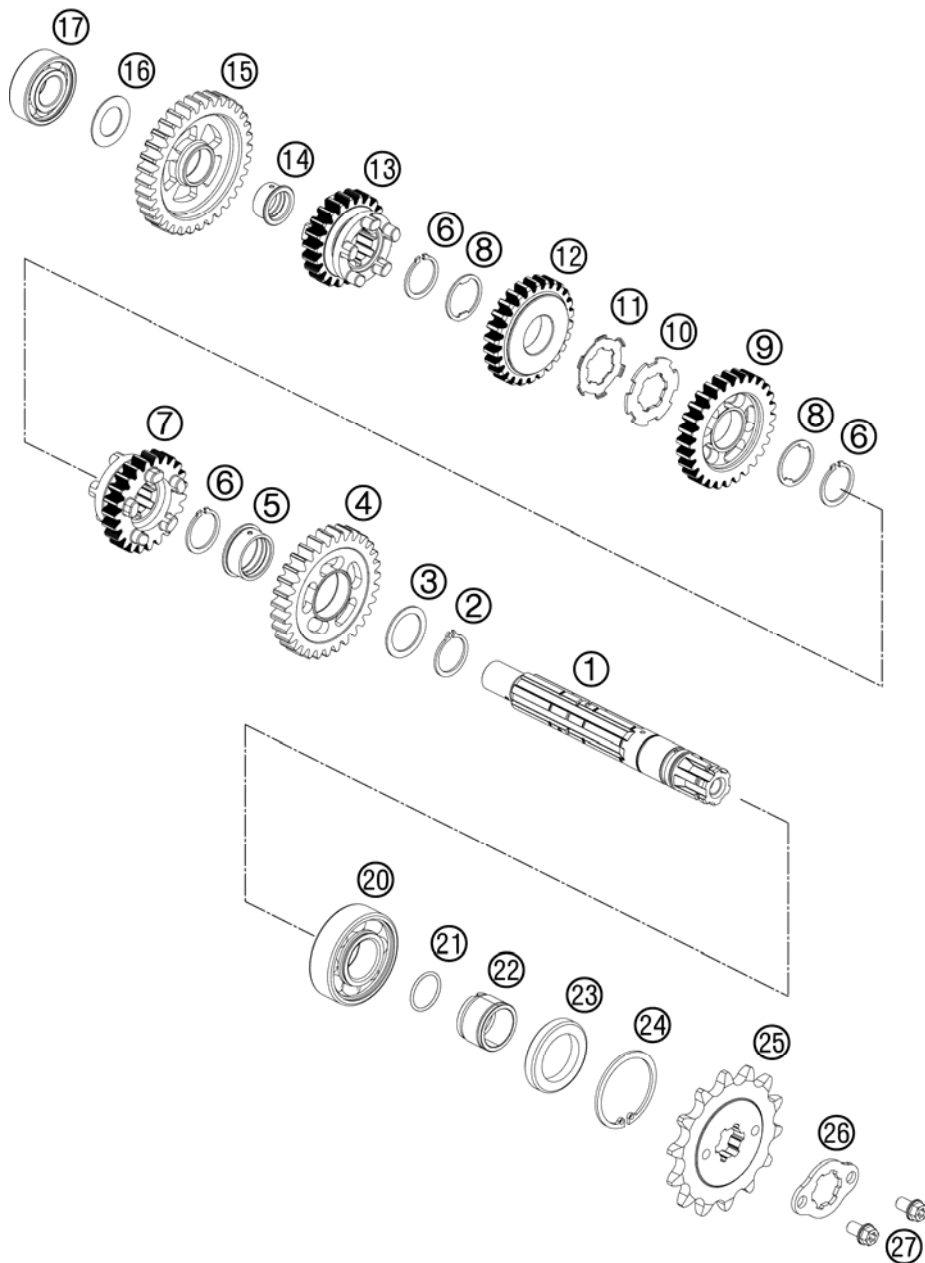
119013330 / C119013330

* NEW PART

X AS REQUIRED

TRANSMISSION II - COUNTERSHAFT

125 DUKE 80KM/H 2011



| FIG | PART NUMBER | DESCRIPTION | QTY |
|-----|-------------|----------------------------|-----|
| 1 | 9013301000 | COUNTER SHAFT CPL. | 1 |
| 2 | J471020121 | CIRCLIP 20X1,2 | 1 |
| 3 | 90133034000 | WASHER 20,2X27X1 | 1 |
| 4 | 90133012000 | COUNTERWHEEL 2. GEAR | 1 |
| 5 | 90133001003 | BUSHING | 1 |
| 6 | J471020120 | CIRCLIP 20X1,2 | 3 |
| 7 | 90133015000 | COUNTERWHEEL 5. GEAR | 1 |
| 8 | 90133001004 | SHIM WASHER | 2 |
| 9 | 90133013000 | COUNTERWHEEL 3. GEAR | 1 |
| 10 | 90133001007 | THRUST WASHER | 1 |
| 11 | 90133001008 | LOCK WASHER | 1 |
| 12 | 90133014000 | COUNTERWHEEL 4. GEAR | 1 |
| 13 | 90133016000 | COUNTERWHEEL 6. GEAR | 1 |
| 14 | 90133001009 | BUSHING | 1 |
| 15 | 90133011000 | COUNTERWHEEL 1. GEAR | 1 |
| 16 | 90133038000 | PLAIN WASHER | 1 |
| 17 | 90130004003 | BALL BEARING 15X35X11 | 1 |
| 20 | J625062041 | BALL BEARING 6204-Z/HN3 | 1 |
| 21 | J770017515 | O-RING 17,5X1,5 | 1 |
| 22 | 90133029003 | BUSHING SPROCKET | 1 |
| 23 | J760253706 | SHAFT SEAL RING 25X37X6 | 1 |
| 24 | J472037150 | CIRCLIP 37X1,5 | 1 |
| 25 | 90133029014 | SPROCKET 14T. | 1 |
| 26 | 90133029001 | BRACKET SPROCKET | 1 |
| 27 | J025060106 | HH COLLAR SCREW M6X10 WS10 | 2 |

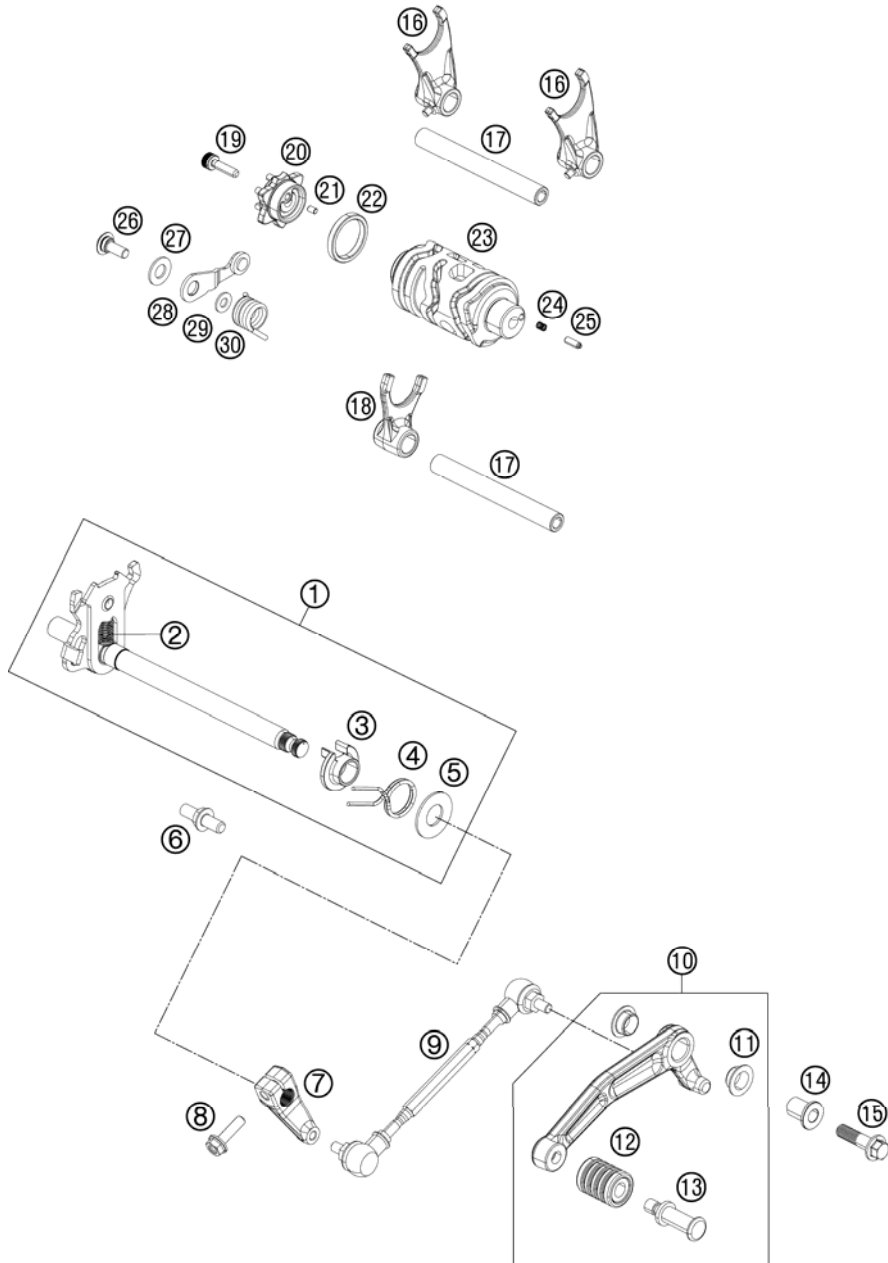
119013360 / C119013360

* NEW PART

X AS REQUIRED

SHIFTING MECHANISM

125 DUKE 80KM/H 2011



| FIG | PART NUMBER | DESCRIPTION | QTY |
|-----|-------------|-------------------------------|-----|
| 1 | 90134005033 | SHIFT SHAFT CPL. | 1 |
| 2 | 90134009000 | TENSION SPRING | 1 |
| 3 | 90134022000 | SPRING BUSHING | 1 |
| 4 | 90134014000 | RETURN SPRING | 1 |
| 5 | 90134050000 | STOP DISK 14X30X1,5 | 1 |
| 6 | 90134016000 | SPRING GUIDE | 1 |
| 7 | 90134031010 | RELAY SHIFT LEVER | 1 |
| 8 | J025060223 | HH COLLAR SCREW M6X22 SW10 | 1 |
| 9 | 90134040033 | TENSION ROD CPL. | 1 |
| 10 | 90134031033 | SHIFT LEVER CPL. | 1 |
| 11 | 90134036000 | IGUS BUSH BEARING | 2 |
| 12 | 90134035000 | RUBBER FOR SHIFT LEVER | 1 |
| 13 | 90134034000 | BOLT SHIFT LEVER | 1 |
| 14 | 90134031003 | SPACER SLEEVE | 1 |
| 15 | J025080303S | HH COLLAR SCREW M8X30 SS SW10 | 1 |
| 16 | 90134002000 | SHIFT FORK COUNTER | 2 |
| 17 | 90134019000 | SHIFTRAIL | 2 |
| 18 | 90134001000 | SHIFT FORK MAIN | 1 |
| 19 | 90134015003 | AH SCREW M6X20 SELF LOCKING | 1 |
| 20 | 90134015000 | SHIFT DRUM LOCATING | 1 |
| 21 | 90134013000 | PARALLEL PIN | 1 |
| 22 | 90134012002 | SPACER | 1 |
| 23 | 90134012000 | SHIFT ROLLER | 1 |
| 24 | 90134012003 | CONTACT SPRING | 1 |
| 25 | 90134012001 | BOLT FOR GEAR INDICATOR | 1 |
| 26 | 90134025000 | SCREW LOCKING LEVER | 1 |
| 27 | 90134030000 | WASHER LOCKING LEVER | 1 |
| 28 | 90134024033 | LOCKING LEVER CPL. | 1 |
| 29 | 90134039000 | WASHER 6X12,8X1,2 | 1 |
| 30 | 90134023000 | ARRESTING LEVER SPRING | 1 |

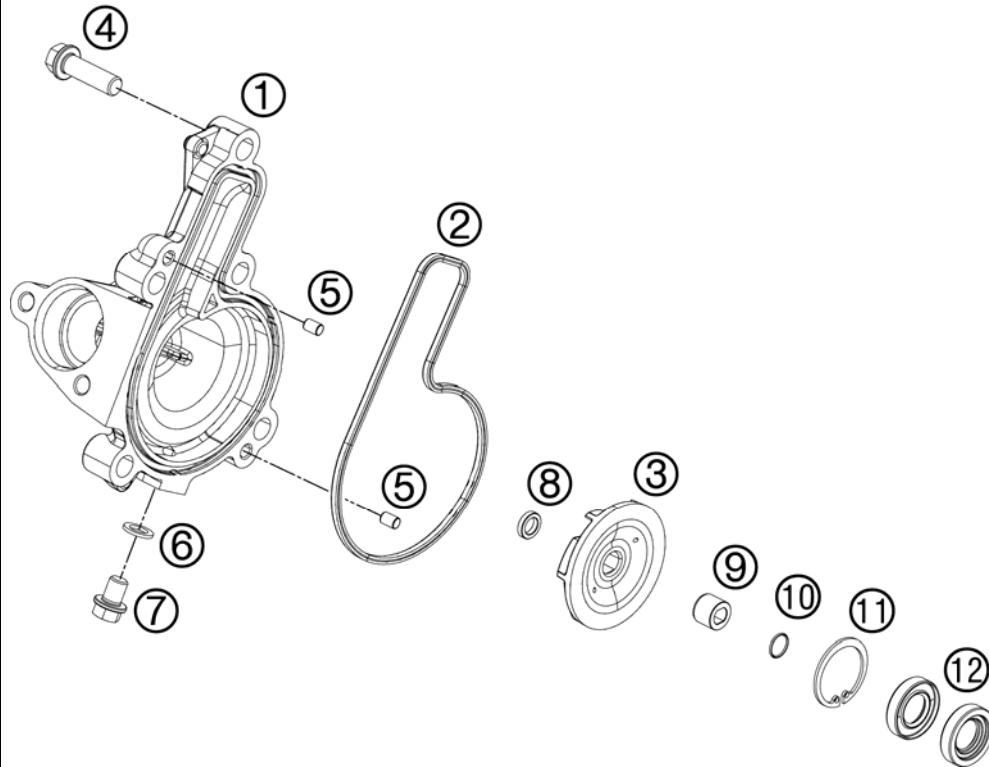
119013410 / C119013410

* NEW PART

X AS REQUIRED

WATER PUMP

125 DUKE 80KM/H 2011



| FIG | PART NUMBER | DESCRIPTION | QTY |
|-----|-------------|------------------------------|-----|
| 1 | 90135052000 | WATERPUMP COVER | 1 |
| 2 | 90135053000 | WATER PUMP COVER GASKET | 1 |
| 3 | 90135055000 | WATER PUMP ROTOR | 1 |
| 4 | J025060206 | HH COLLAR SCREW M6X20 SW10 | 5 |
| 5 | 90134013000 | PARALLEL PIN | 2 |
| 6 | J603061001 | COPPER GASKET | 1 |
| 7 | J025060066 | HH COLLAR SCREW M6X6 SW10 | 1 |
| 8 | 90130055006 | SPACER SHIM | 1 |
| 9 | 90130055004 | BUSHING | 1 |
| 10 | J770007075 | O-RING 7X0,75 | 1 |
| 11 | J472025120 | CIRCLIP 25X1,2 | 1 |
| 12 | J760122455 | SHAFT SEALING RING 12X24X5,5 | 2 |

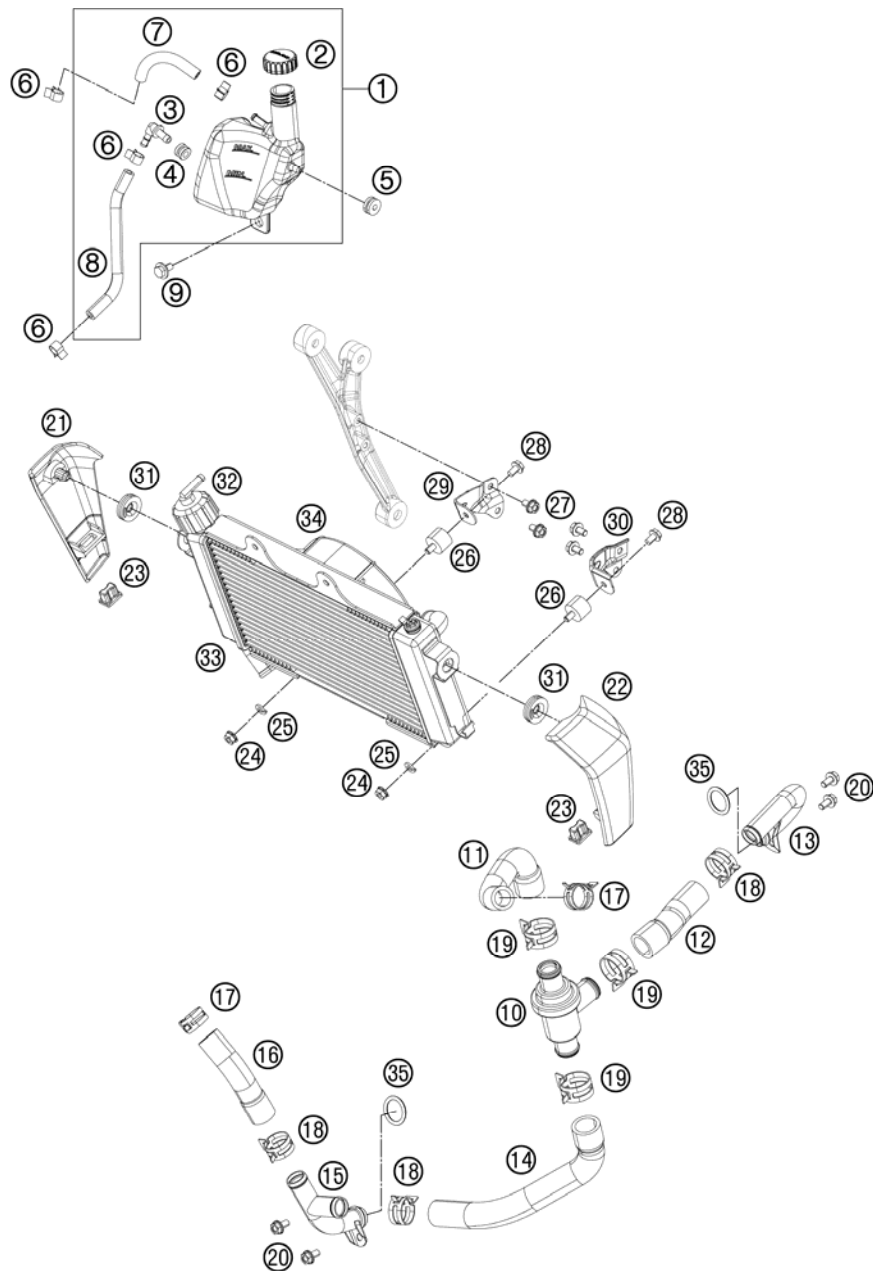
119013510 / C119013510

* NEW PART

X AS REQUIRED

COOLING SYSTEM

125 DUKE 80KM/H 2011



| FIG | PART NUMBER | DESCRIPTION | QTY |
|-----|-------------|--------------------------------|-----|
| 1 | 90135065033 | EXPANSION RESERVOIR CPL. | 1 |
| 2 | 90135066000 | PLUG F. EXPANSION TANK | 1 |
| 3 | 90135068000 | CONNECTOR EXPANSION TANK | 1 |
| 4 | 90135069000 | GROMMET F. CONN. EXP.TANK | 1 |
| 5 | 90135065050 | GROMMET EXPANSION TANK | 1 |
| 6 | 90107018011 | CLAMP 10MM | 4 |
| 7 | 90135067000 | HOSE 6X10,5X80 MM | 1 |
| 8 | 90135067050 | HOSE 6X10X154 MM | 1 |
| 9 | 90135074000 | SPECIAL SCREW M6X12 FLANGED | 1 |
| 10 | 90135017000 | THERMOSTAT | 1 |
| 11 | 90135024020 | RADIATORHOSE THERM.-RADIATOR | 1 |
| 12 | 90135025000 | RADIATORHOSE ENGINE-THERM. | 1 |
| 13 | 90135090000 | COOLING PIPE ENGINE | 1 |
| 14 | 90135024010 | RADIATORHOSE THERM.-COOL.PIPE | 1 |
| 15 | 90135026000 | COOLING PIPE "T" CPL. | 1 |
| 16 | 90135024030 | RADIATORHOSE RADI.-COOLL." T " | 1 |
| 17 | 90135020002 | HOSE CLAMP D24 | 2 |
| 18 | 90135020001 | HOSE CLAMP D26 | 3 |
| 19 | 90135020003 | HOSE CLAMP D28 | 3 |
| 20 | J025060126 | HH COLLAR SCREW M6X12 SW10 | 4 |
| 21 | 90108061000 | RADIATOR PROTECTOR R/S | 1 |
| 22 | 90108060000 | RADIATOR PROTECTOR L/S | 1 |
| 23 | 90108060002 | DAMP. RUBBER II RADIATOR PROT | 2 |
| 24 | J926060000 | FLANGED NUT M6 WS10 SELF LOCK. | 4 |
| 25 | J127060003 | WASHER SPRING B6 | 4 |
| 26 | 90135001001 | RUBBER GROMMET | 4 |
| 27 | J025060103 | HH COLLAR SCREW M6X10 SW8 | 4 |
| 28 | J026060083 | HH COLLAR SCREW M6X8 SW10 | 4 |
| 29 | 90103006001 | RADIATOR SUPPORT R/S BELOW | 1 |
| 30 | 90103005001 | RADIATORSUPPORT L/S BELOW | 1 |
| 31 | 90108060001 | DAMPING RUBBER I RADIATOR PROT | 2 |
| 32 | 90135016000 | RADIATOR CAP | 1 |
| 33 | 90135010000 | RADIATOR CPL. | 1 |
| 34 | 90135041033 | VENTILATOR CPL. | 1 |
| 35 | J770018530 | O-RING 18,5X3 | 2 |

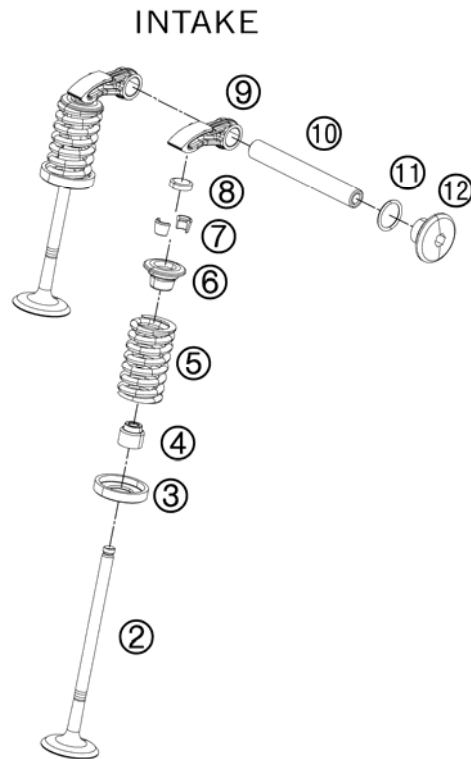
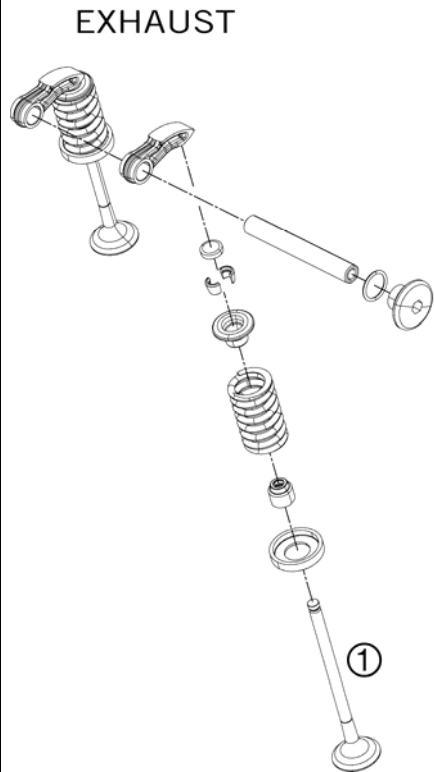
119013530 / C119013530

* NEW PART

X AS REQUIRED

VALVE DRIVE

125 DUKE 80KM/H 2011



| FIG | PART NUMBER | DESCRIPTION | QTY |
|-----|-------------|-----------------------|-----|
| 1 | 90136031000 | EXHAUST VALVE | 2 |
| 2 | 90136030000 | INTAKE VALVE | 2 |
| 3 | 90136036000 | VALVE SPRING HOLDER | 4 |
| 4 | 90136027000 | VALVE-STEM SEALING | 4 |
| 5 | 90136028000 | VALVE SPRING | 4 |
| 6 | 90136032000 | VALVE SPRING RETAINER | 4 |
| 7 | 90136033000 | VALVE COLLET | 4 |
| 8 | 90136035000 | SHIM | 4 |
| 9 | 90136060000 | VALVE LEVER | 4 |
| 10 | 90136056000 | VALVE LEVER SHAFT | 2 |
| 11 | J770010312 | O-RING 10,3X1,2 MM | 2 |
| 12 | 90136056001 | SCREW PLUG | 2 |

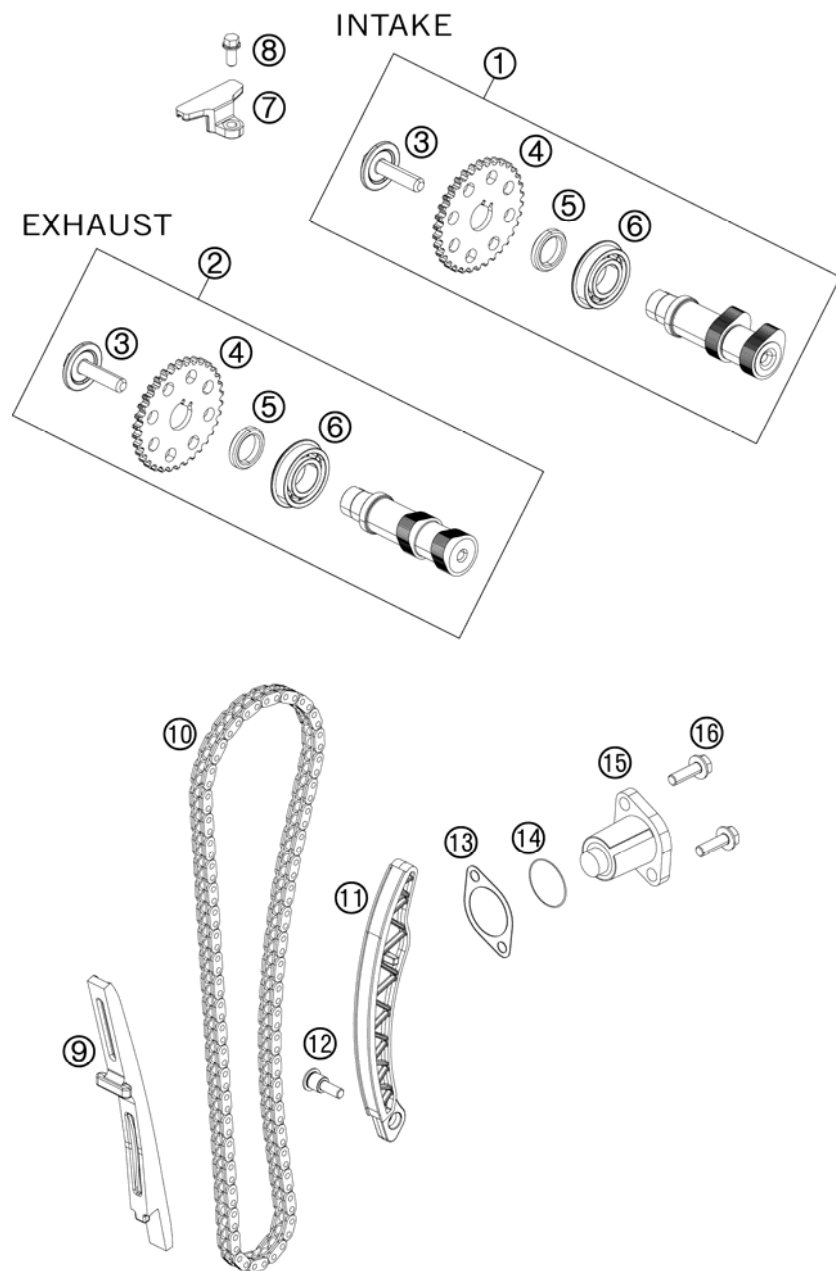
119013610 / C119013610

* NEW PART

X AS REQUIRED

TIMING DRIVE

125 DUKE 80KM/H 2011



| FIG | PART NUMBER | DESCRIPTION | QTY |
|-----|-------------|--------------------------------|-----|
| 1 | 90136009033 | CAMSHAFT INTAKE CPL. | 1 |
| 2 | 90136010033 | CAMSHAFT EXHAUST CPL. | 1 |
| 3 | 90136009004 | SPECIAL SCREW CAMSHAFT | 2 |
| 4 | 90136009003 | GEAR WHEEL CAMSHAFT | 2 |
| 5 | 90136009002 | SPACER | 2 |
| 6 | 90136009001 | BALL BEAR.6003NR/C3D8 17X35X10 | 2 |
| 7 | 90136018000 | GUIDE RAIL TOP | 1 |
| 8 | J025060142 | HH-COLLAR SCREW M6X14 WS8 | 1 |
| 9 | 90136001000 | TIMING CHAIN GUIDE | 1 |
| 10 | 90136013000 | TIMING CHAIN | 1 |
| 11 | 90136002000 | TENSIONER RAIL | 1 |
| 12 | 90130004007 | SPECIAL SCREW 6X14,9 | 1 |
| 13 | 90136003003 | GASKET CHAIN ADJUSTER | 1 |
| 14 | J770010015 | O-RING 10,15X1,5 | 1 |
| 15 | 90136003000 | CHAIN ADJUSTER | 1 |
| 16 | J025060206 | HH COLLAR SCREW M6X20 SW10 | 2 |

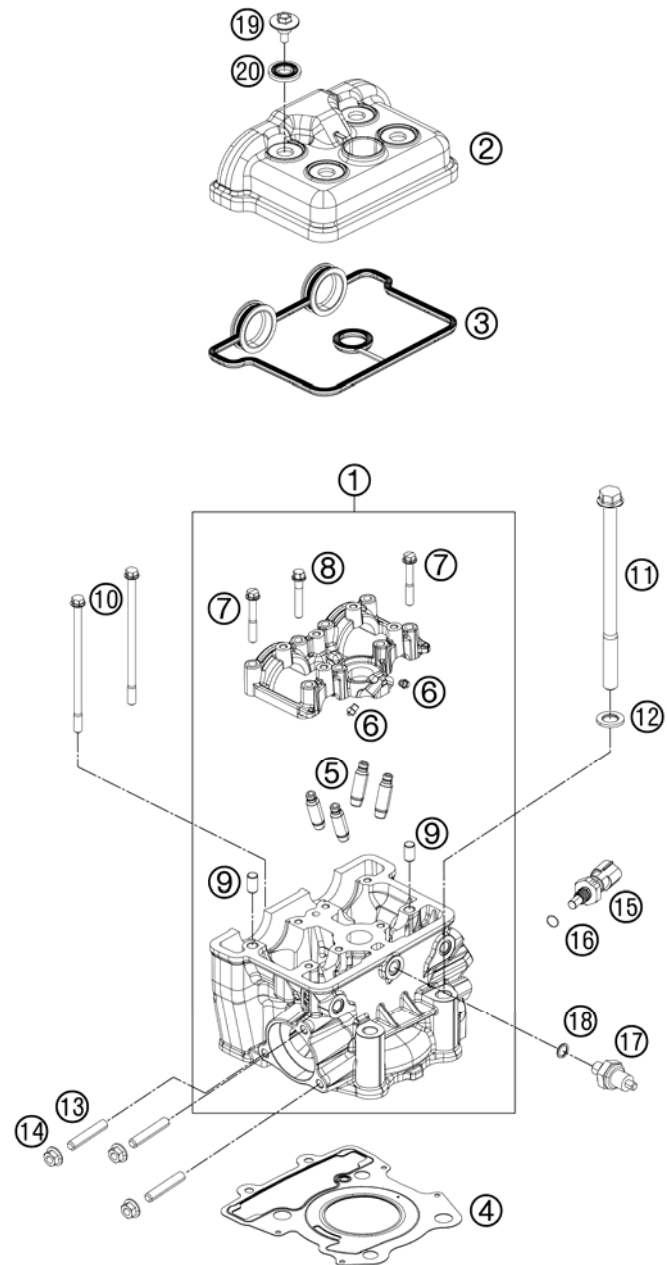
119013620 / C119013620

* NEW PART

X AS REQUIRED

CYLINDER HEAD

125 DUKE 80KM/H 2011



| FIG | PART NUMBER | DESCRIPTION | QTY |
|-----|-------------|----------------------------|-----|
| 1 | 90136020033 | CYLINDERHEAD CPL. | 1 |
| 2 | 90136052000 | VALVE COVER | 1 |
| 3 | 90136053000 | VALVE COVER GASKET | 1 |
| 4 | 90130036000 | CYLINDER HEAD GASKET | 1 |
| 5 | 90136025000 | VALVE GUIDE | 4 |
| 6 | 90130064000 | OIL JET | 4 |
| 7 | J025060402 | HH-COLLAR SCREW M6X40 WS10 | 2 |
| 8 | J025060356 | HH-COLLAR SCREW M6X35 WS8 | 6 |
| 9 | 90130024000 | PIN DOWEL 8X6,4X14MM | 2 |
| 10 | 90136020005 | COLLAR SCREW M6 | 2 |
| 11 | 90136020003 | HH COLLAR SCREW 10X147,5 | 4 |
| 12 | 90130080000 | WASHER 11,2X20X2 | 4 |
| 13 | 90136020001 | STUD M8 | 3 |
| 14 | 90136038000 | FLANGED NUT M8 H7,5 WS12 | 3 |
| 15 | 90135047000 | TEMPERATURE SENSOR | 1 |
| 16 | 90135047001 | O-RING | 1 |
| 17 | 90138091000 | OIL PRESSURE SENSOR | 1 |
| 18 | 90138091001 | O-RING | 1 |
| 19 | 90136052020 | VALVE COVER SCREW | 4 |
| 20 | 90136052010 | DECOUPLING ELEMENT | 4 |

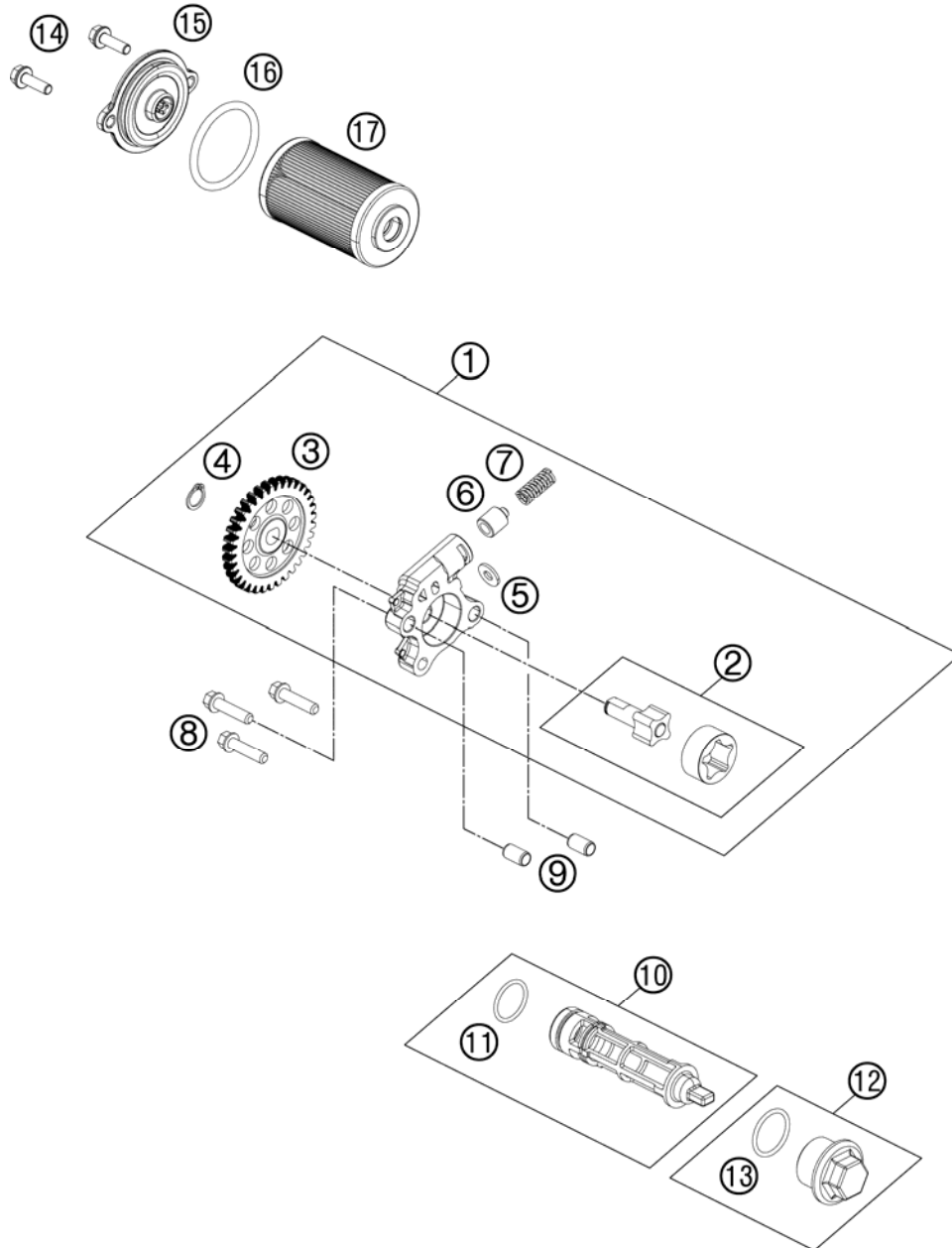
119013630 / C119013630

* NEW PART

X AS REQUIRED

LUBRICATING SYSTEM

125 DUKE 80KM/H 2011



| FIG | PART NUMBER | DESCRIPTION | QTY |
|-----|-------------|---------------------------|-----|
| 1 | 90138007033 | OILPUMP ZSB. | 1 |
| 2 | 90138002044 | OIL PUMP SHAFT CPL. | 1 |
| 3 | 90138001000 | OIL PUMP GEAR | 1 |
| 4 | 90138001001 | CIRCLIP | 1 |
| 5 | 90138010003 | PLAIN WASHER | 1 |
| 6 | 90138010001 | PISTON OILPUMP | 1 |
| 7 | 90138010002 | SPRING OILPUMP | 1 |
| 8 | J028060253 | HH COLLAR SCREW M6X25 WS8 | 3 |
| 9 | 90130024000 | PIN DOWEL 8X6,4X14MM | 2 |
| 10 | 90138015033 | OIL SCREEN CPL. | 1 |
| 11 | J770017721 | O-RING 17,7X2,1 MM | 1 |
| 12 | 90138015050 | CLOSURE CAP OIL SCREEN | 1 |
| 13 | 90138015052 | O-RING | 1 |
| 14 | J025050166 | HH COLLAR SCREW M5X16 SW8 | 2 |
| 15 | 90138015060 | OIL FILTER COVER | 1 |
| 16 | J770039326 | O-RING 39,34X2,62 | 1 |
| 17 | 90138015000 | OIL FILTER | 1 |

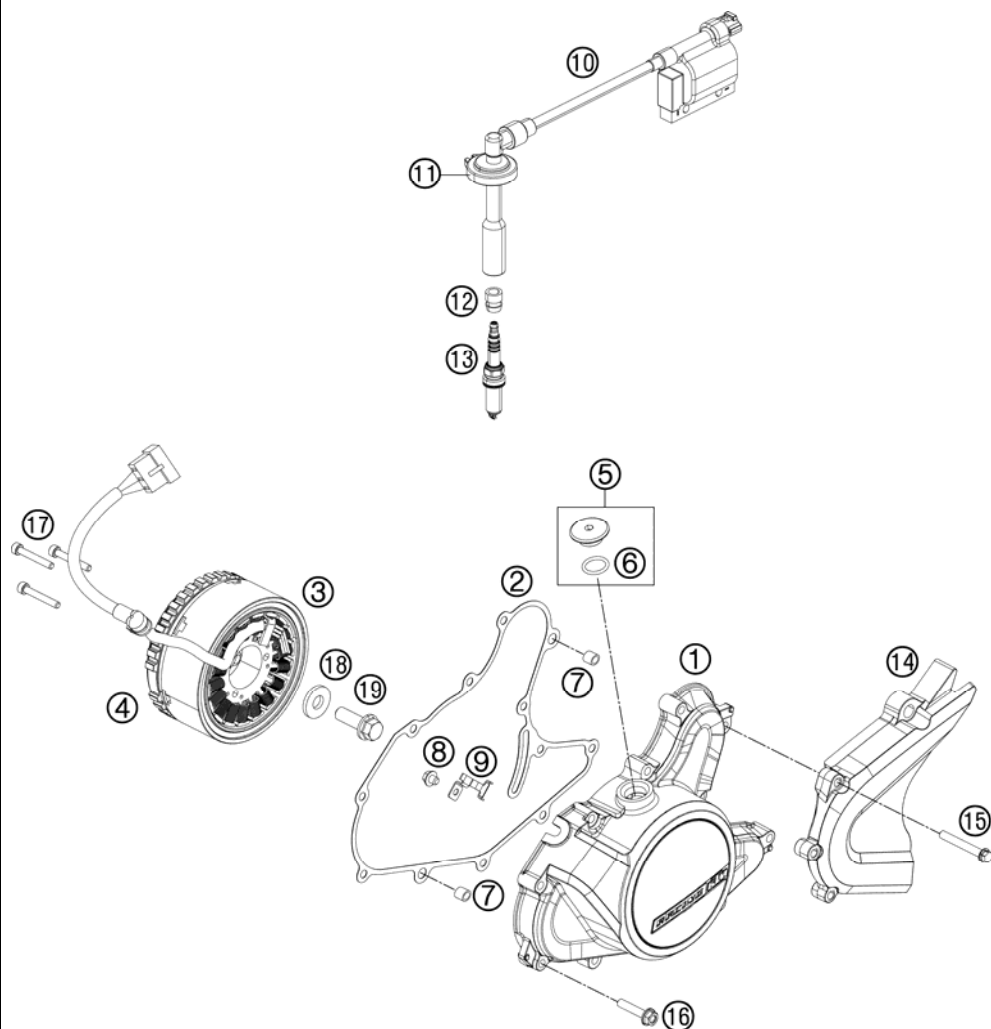
119013810 / C119013810

* NEW PART

X AS REQUIRED

IGNITION SYSTEM

125 DUKE 80KM/H 2011

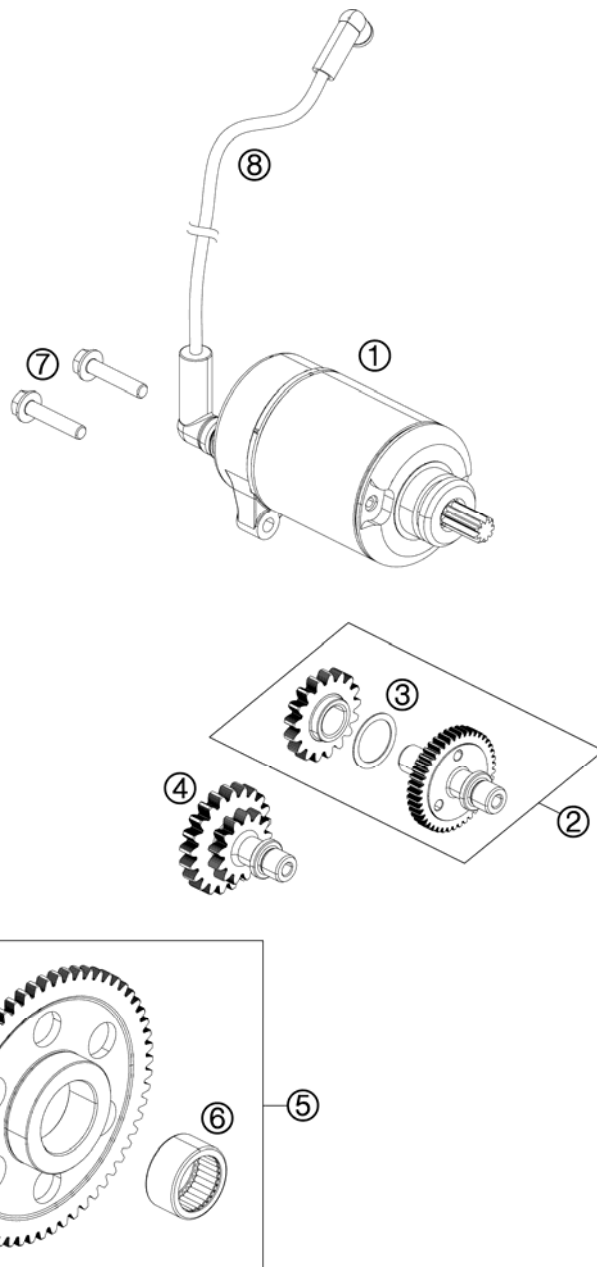


| FIG | PART NUMBER | DESCRIPTION | QTY |
|-----|-------------|-----------------------------|-----|
| 1 | 90130002000 | IGNITION COVER | 1 |
| 2 | 90130040000 | IGNITION COVER GASKET | 1 |
| 3 | 90139004000 | STATOR CPL. | 1 |
| 4 | 90139005000 | ROTOR CPL. | 1 |
| 5 | 90130002010 | PLUG INCL. O-RING | 1 |
| 6 | J770015824 | O-RING 15,8X2,4 | 1 |
| 7 | 90130024000 | PIN DOWEL 8X6,4X14MM | 2 |
| 8 | J985050103 | PAN CROSS SCREW M5X10 PH | 1 |
| 9 | 90139004002 | BRACKET F. STATORCABLE | 1 |
| 10 | 90139090033 | SPARK PLUG CONNECT. CPL. | 1 |
| 11 | 90139090001 | GASKET SPARK PLUG CONNECT. | 1 |
| 12 | 90139093001 | RUBBER GASKET SPARK PLUG | 1 |
| 13 | 90139093000 | SPARK PLUG M12 (BOSCH) | 1 |
| 14 | 90103096000 | CHAIN GUARD | 1 |
| 15 | J025060456 | HH COLLAR SCREW M6X45 SW10 | 3 |
| 16 | J025060306 | HH COLLAR SCREW M6X30 SW10 | 9 |
| 17 | J912050353S | AH SCREW M5X35 SELF LOCKING | 3 |
| 18 | 90130028050 | WASHER | 1 |
| 19 | 90130028000 | FLANGED BOLT M10X1,25X30 | 1 |

119013910 / C119013910

* NEW PART

X AS REQUIRED



| FIG | PART NUMBER | DESCRIPTION | QTY |
|-----|-------------|------------------------------|-----|
| 1 | 90140001000 | E-STARTER ENGINE CPL. | 1 |
| 2 | 90140023033 | TORQUE LIMITER CPL. | 1 |
| 3 | 90140023045 | SHIM 0,45 MM | x |
| 3 | 90140023060 | SHIM 0,6 MM | 1 |
| 3 | 90140023075 | SHIM 0,75 MM | x |
| 3 | 90140023090 | SHIM 0,9 MM | x |
| 4 | 90140022000 | INTERMEDIATE STARTING GEAR | 1 |
| 5 | 90140020000 | FREEWHEEL GEAR CPL. | 1 |
| 6 | J618253216 | NEEDLE ROLLER BEARING HK2516 | 1 |
| 7 | J025060256 | HH COLLAR SCREW M6X25 SW10 | 2 |
| 8 | 90111059000 | STARTER CABLE | 1 |

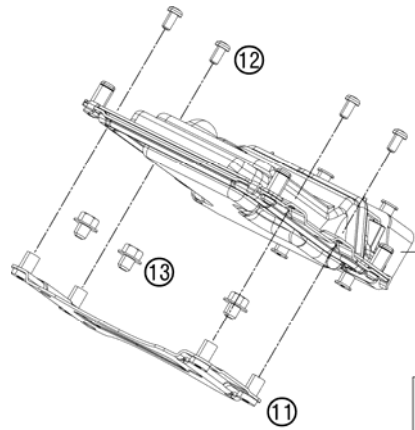
119014010 / C119014010

* NEW PART

X AS REQUIRED

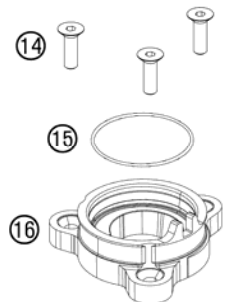
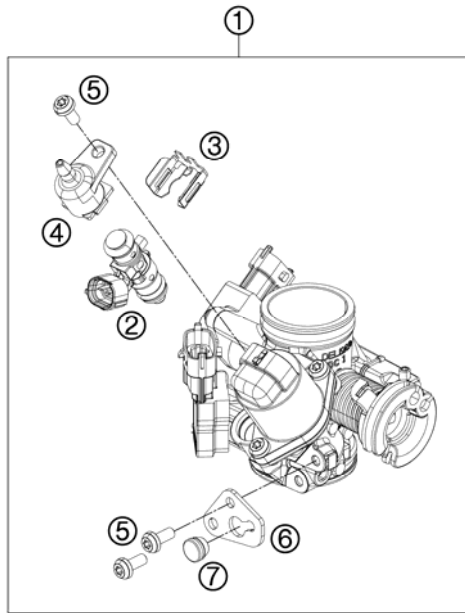
THROTTLE BODY

125 DUKE 80KM/H 2011



ACHTUNG !!!
 Steuergerät ist nur über 'Spezial-
 bestellung' im Dealer.net erhältlich. **!**

CAUTION !!!
 ECU is orderable in Dealer.net
 as 'special order' only!



| FIG | PART NUMBER | DESCRIPTION | QTY |
|-----|-------------|--------------------------------|-----|
| 1 | 90141001000 | THROTTLE BODY CPL. | 1 |
| 2 | 90141023000 | FUEL INJECTOR | 1 |
| 3 | 90141023001 | CLAMP F. INJECTOR | 1 |
| 4 | 90141023004 | CONNECTOR FUEL RAIL | 1 |
| 5 | 90141023005 | SPECIAL SCREW M5X12 | 3 |
| 6 | 90141023002 | CABLE SUPPORT | 1 |
| 7 | 90141023003 | GROMMET | 1 |
| 11 | 90141029000 | BRACKET TIMING CHARGER | 1 |
| 12 | J005040081 | FLAT HEAD SCREW M4X8 PH | 4 |
| 13 | J027050063 | HH COLLAR SCREW M5X6 SW8 | 3 |
| 14 | J991060203 | FLAT HEAD SCREW M6X20 | 3 |
| 15 | 90141002006 | O-RING CONN. FL. CYL.-THR.BODY | 1 |
| 16 | 90141002000 | CONN. FLANGE CYLINDER-THR.BODY | 1 |

119014110 / C119014111

* NEW PART

X AS REQUIRED



NOTICE

125 DUKE 80KM/H 2011



NOTICE

125 DUKE 80KM/H 2011



NOTICE

125 DUKE 80KM/H 2011





KTM-Sportmotorcycle AG
A-5230 Mattighofen
www.ktm.at

KTM Group Partner



3CM081205KEN



Art.Nr.: 3CM081205KEN 3/2011