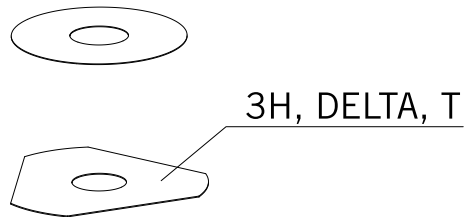


- ⑤ Ø 5 mm
- ⑥ Ø 6 mm
- ⑧ Ø 8 mm
- ⑩ Ø 10 mm
- ⑫ Ø 12 mm
- ⑭ Ø 14-14,5 mm
- ⑯ Ø 16 mm
- ⑳ Ø 20 mm
- ㉑ Ø 21 mm
- ㉒ Ø 22 mm
- ㉓ Ø 23 mm
- ㉔ Ø 24,5 mm
- ㉘ Ø 28,5 mm
- ㉚ Ø 32 mm
- ㉜ Ø 52 mm



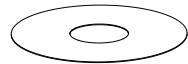
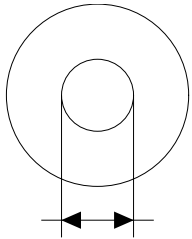
POS	PARTNUMBER	PARTNAME	PIECE
12	46810624	* SHIM 12X22X0,20	X
12	46811580	SHIM 12X32X0,10	X
12	46810503	SHIM 12X32X0,25	X
12	46810517	* SHIM 12X24X0,15	X
12	46810640	SHIM 12X20X0,30	X
14	46811046	SHIM 14,5X35,4X1,25	X
16	50180006	BACKPLATE 16X20X0,10	X
16	50180007	SHIM 16X21X0,10	X
16	50180028	SHIM 16X21X0,25	X
16	50180210	WASHER 16X21X1	X
16	50180008	SHIM 16X22X0,10	X
16	50180022	SHIM 16X22X0,20	X
16	50180037	SHIM 16X23X0,30	X
16	50180038	SHIM 16X24X0,30	X
16	50180032	SHIM 15X25X0,25	X
16	50180039	SHIM 16X25X0,30	X
16	50180012	SHIM 16X26X0,10	X
16	50180019	SHIM 16X26X0,15	X
16	50180026	SHIM 16X26X0,20	X
16	50180040	SHIM 16X26X0,30	X
16	50180041	SHIM 16X28X0,10	X
16	50180045	SHIM 16X28X0,15	X
16	50180054	SHIM 16X28X0,20	X
16	50180063	SHIM 16X28X0,25	X
16	50180072	SHIM 16X28X0,30	X
16	50180046	SHIM 16X30X0,15	X
16	50180055	SHIM 16X30X0,20	X
16	50180064	SHIM 16X30X0,25	X
16	50180073	SHIM 16X30X0,30	X
16	50180047	SHIM 16X32X0,15	X
16	50180056	SHIM 16X32X0,20	X
16	50180065	SHIM 16X32X0,25	X
16	50180074	SHIM 16X32X0,30	X
16	50180044	SHIM 16X34X0,10	X
16	50180048	SHIM 16X34X0,15	X
16	50180057	SHIM 16X34X0,20	X
16	50180066	SHIM 16X34X0,25	X
16	50180075	SHIM 16X34X0,30	X

080000190

C070000190

\* NEW PART

X ON DEMAND



3H, DELTA, T

- ⑤ Ø 5 mm
- ⑥ Ø 6 mm
- ⑧ Ø 8 mm
- ⑩ Ø 10 mm
- ⑫ Ø 12 mm
- ⑭ Ø 14-14,5 mm
- ⑯ Ø 16 mm
- ⑳ Ø 20 mm
- ㉑ Ø 21 mm
- ㉒ Ø 22 mm
- ㉓ Ø 23 mm
- ㉔ Ø 24,5 mm
- ㉘ Ø 28,5 mm
- ㉚ Ø 32 mm
- ㉜ Ø 52 mm

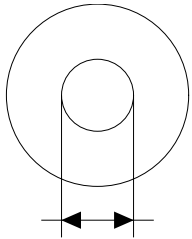
POS	PARTNUMBER	PARTNAME	PIECE
16	50180049	SHIM 16X36X0,15	X
16	50180058	SHIM 16X36X0,20	X
16	50180067	SHIM 16X36X0,25	X
16	50180076	SHIM 16X36X0,30	X
16	50180050	SHIM 16X38X0,15	X
16	50180059	SHIM 16X38X0,20	X
16	50180068	SHIM 16X38X0,25	X
16	50180077	SHIM 16X38X0,30	X
16	50180051	SHIM 16X40X0,15	X
16	50180060	SHIM 16X40X0,20	X
16	50180069	SHIM 16X40X0,25	X
16	50180078	SHIM 16X40X0,30	X
16	50180052	SHIM 16X42X0,15	X
16	50180061	SHIM 16X42X0,20	X
16	50180070	SHIM 16X42X0,25	X
16	50180079	SHIM 16X42X0,30	X
16	50180053	SHIM 16X44X0,15	X
16	50180062	SHIM 16X44X0,20	X
16	50180071	SHIM 16X44X0,25	X
16	50180080	SHIM 16X44X0,30	X
16	50180177	WASHER 16X8,2X0,6	X
16	50180033	SHIM 16X26X0,25	X
16	50180034	BACKPLATE 16X20X0,30	X
16	50180035	BACKPLATE 16X21X0,30	X
16	50180036	BACKPLATE 16X22X0,30	X
16	50180043	SHIM	X
16	50180024	* SHIM 16X24X0,20	X
16	50180027	* SHIM 16X20X0,25	X
16	50180031	SHIM	X
20	48600212	PRESSURE-RING 20X16,25X0,20	X
20	50180666	SHIM 20X24X0,30	X
20	50180654	SHIM 20X36X0,20	X
20	50180655	SHIM 20X38X0,20	X
20	50180656	SHIM 20X40X0,20	X
20	50180665	SHIM 20X40X0,25	X
20	50180662	SHIM 20X34X0,25	X
20	50180657	SHIM 20X24X0,25	X
20	50180653	SHIM 20X34X0,20	X

080000190

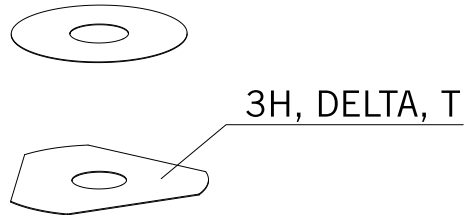
C070000190

\* NEW PART

X ON DEMAND



- ⑤ Ø 5 mm
- ⑥ Ø 6 mm
- ⑧ Ø 8 mm
- ⑩ Ø 10 mm
- ⑫ Ø 12 mm
- ⑭ Ø 14-14,5 mm
- ⑯ Ø 16 mm
- ⑳ Ø 20 mm
- ㉑ Ø 21 mm
- ㉒ Ø 22 mm
- ㉓ Ø 23 mm
- ㉔ Ø 24,5 mm
- ㉘ Ø 28,5 mm
- ㉚ Ø 32 mm
- ㉜ Ø 52 mm



POS	PARTNUMBER	PARTNAME	PIECE
20	50180634	RING 20X22,9X1	X
21	50180209	WASHER 21X36X0,25	X
22	50180330	* PRESS. RING 22X18X0,30	X
23	50180635	SHUTTLE VALVE 23X38X0,25	X
23	50180578	SHIM D23XD16X2	X
24	40541061	WASHER 24,5X34X2	X
28	36120469	SHIM 28,5X14X2	X
28	36120471	SHIM 28,5X14X5	X
32	48600460	WASHER 32X42X2,5	X
32	50600065	SHIM 32X45X2	X
32	46811637	PRESSURE RING 36X32,25	X
52	50600002	SHIM 52X59X2,2	X

080000190

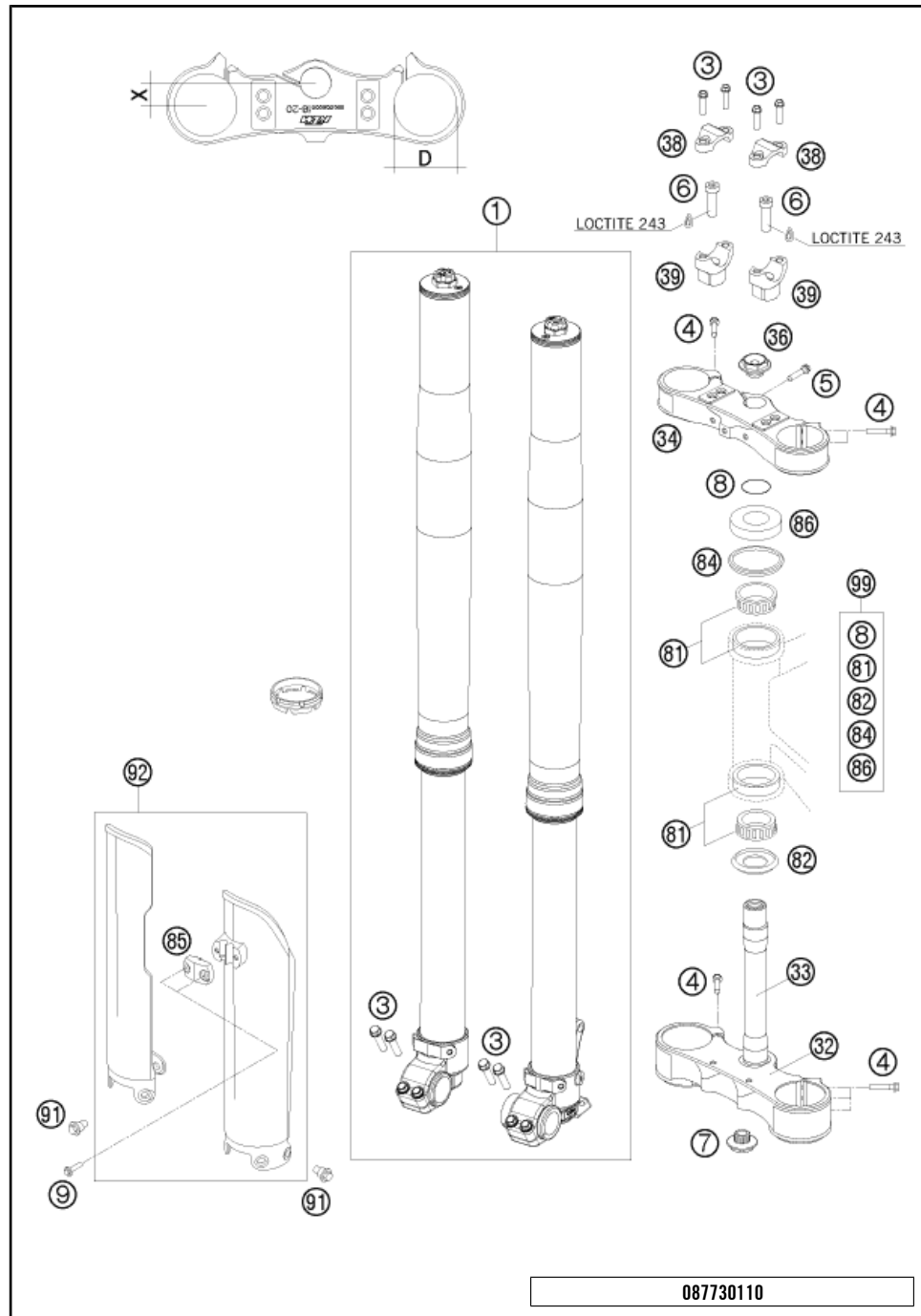
C070000190

\* NEW PART

X ON DEMAND

# FRONT FORK, TRIPLE CLAMP

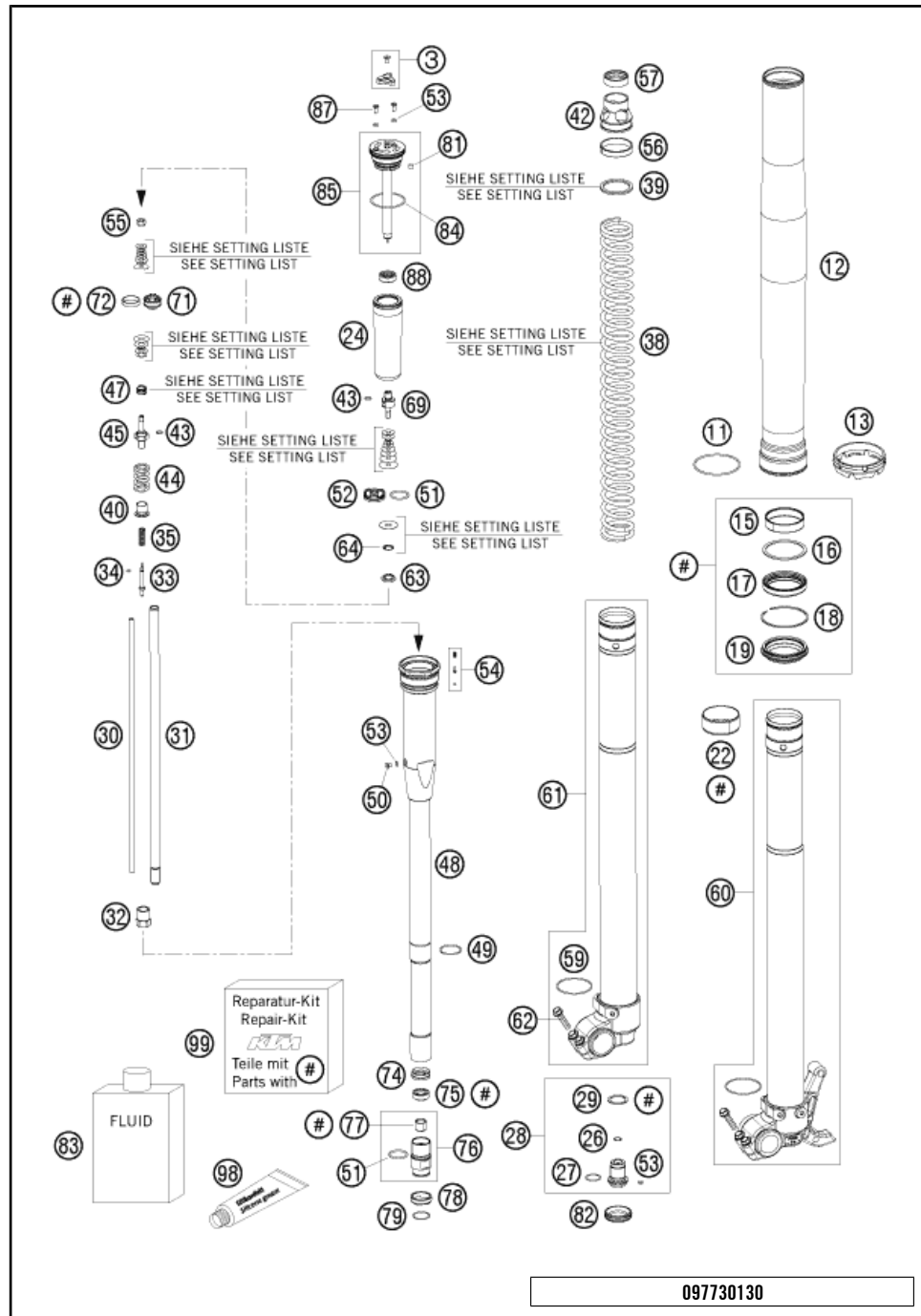
450 SMR 2010



POS	PARTNUMBER	PARTNAME	PIECE
1*	14187J1801	FRONT FORK	1
3	0025080256	HH COLLAR SCREW M8X25 TX40	8
4	0025080356	HH COLLAR SCREW M8X35 TX40	10
5	0025080256S	HH COLLAR SCREW M8X25 TX40	1
6	0912100356	%AH SCREW DIN6912-M10X35 10.9	2
7	54801036100	STE.HEAD SCR. M20X1,5 WS=27 SL SELF-LOCKING	1
8	0770025035	O-RING 25X3,55 NBR70 05	1
9	0017060204	%EJOT PT SCREW K60X20 ALU WS=6	2
32	5940103111530	BOTTOM TRIPLE CLAMP VAR. 14-16	1
33	77301233000	FORK TUBE SMR 1MM EXZ. 08	1
34	5940103411530	TOP TRIPLE CLAMP VAR. 14-16	1
36	54801036000	STEER.HEAD SCREW M20X1,5 WS=27	1
38	59401038000	% HANDLEBAR CLAMP 28MM 05	2
39	59401039032	HANDLEB.SUPP. D=28MM H=32MM 05	x
39	59401039037	HANDLEB.SUPP. D=28MM H=37MM 05	2
39	59401039042	HANDLEB.SUPP. D=28MM H=42MM 05	x
81	54201081100	TAPERED ROLLER BEARING CPL. 06	2
82	54601084100	%O-RING SUPPORT W. SEALING LIP	1
84	54601184000	STEERING HEAD GASKET TOP	1
85	58201085000	CLAMP F.SPEED CABLE D=8MM 2001	1
86	54201086000	% STEERING HEAD COVER	1
91	59001092050	SPECIAL SCREW M6X12,5 WS=8	6
92*	5900109400030	%FORK PROTECT L/S+R/S BLACK 02	1
99	00050000930	STEERING HEAD REP. KIT 06-15	x

\* NEW PART

X ON DEMAND



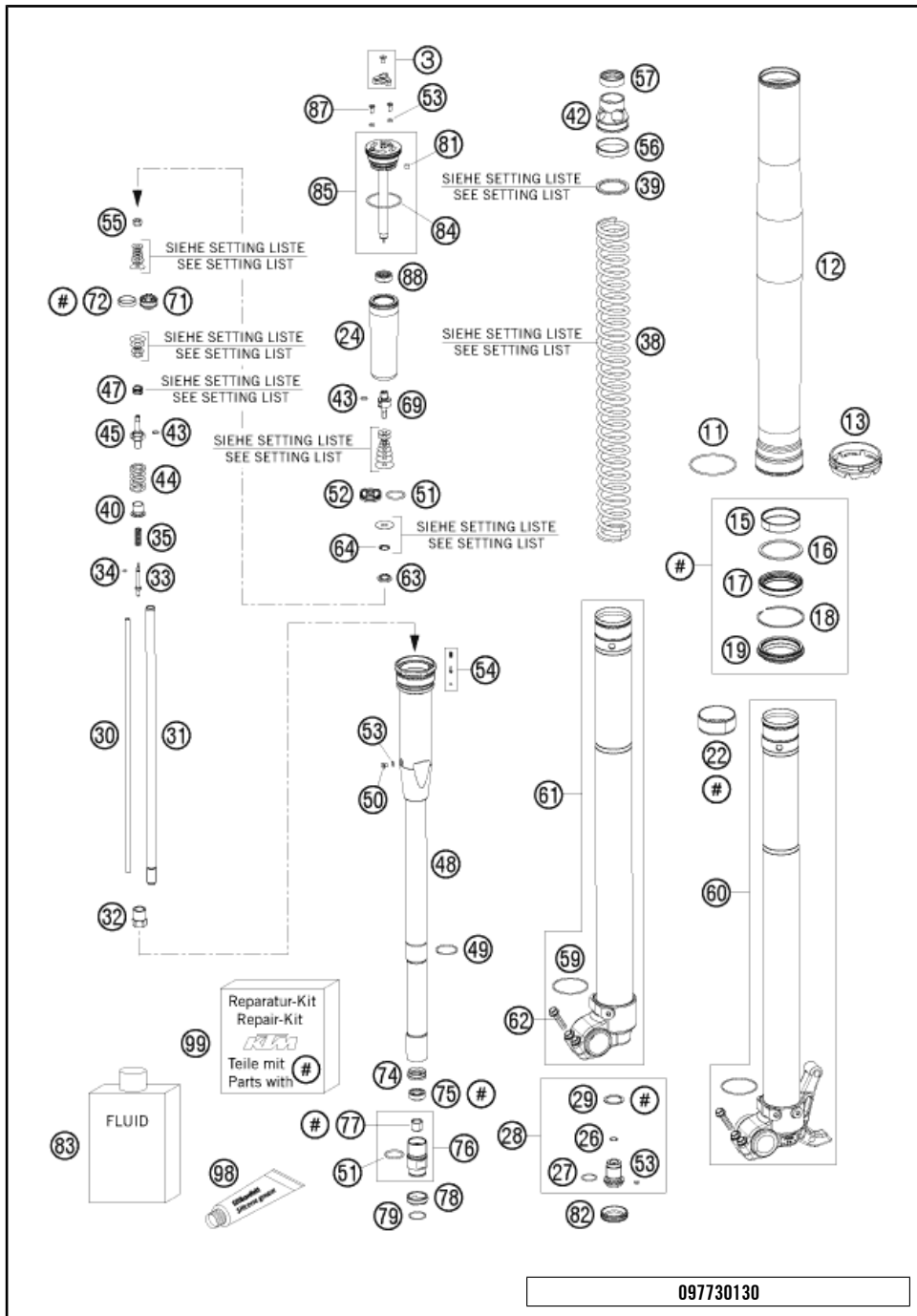
POS	PARTNUMBER	PARTNAME	PIECE
3	48600811S	ADJUSTING KNOB + SCREW	2
11	48600016	GUIDING RING D=58MM	2
12	48600736	OUTER TUBE L577 D54/60MM 2L	2
13	48600698	FORK PROTECTION RING 08	2
15	48600429	% DU-BUSH D48XD52X12DDL02	2
16	48600013	SUPPORT RING 50 X 57,6 X 1,5	2
17	48600347	OIL SEAL RING 48X57,8X9,5 03	2
18	48600070	LOCK WASHER SB58	2
19	48600400	% DUST CAP D=48 58,4X11,8	2
22	48600428	% DU-BUSH D47XD49X20DDL02	2
24	48600281	MEMBRANE	2
26	48600301	O-RING NBR 9,5X1,5	2
27	46810811	O-RING NBR 17X2 PA	2
28	48600280S	SCREW BUSH M20X1 L=33 CPL.	2
29	48600275	COPPER WASHER 20,5X26X1	2
30	48600726	ADJUSTING TUBE L351	2
31	48600723	PISTON ROD D=12 M9X1 L=385	2
32	48600459	COUNTERNUT M12X1 WS17	2
33	48600277	ADJUSTER NEEDLE 07	2
34	48600298	O-RING 2X1,5 NBR	2
35	48600444	REBOUND SPRING C=4N/MM	2
38	91410054S	SPRING 4,8 N/MM SET D=5,25MM	x
38	91410058S	SPRING D43.2 L465 5N/MM SET	x
39	48600456	SPACER 43X35X2,5	x
39	48600457	SPACER 43X35X5	x
39	48600458	SPACER 43X35X1,5	x
40	48600525	GUIDING BUSH REBOUND SPRING	2
42	48600520	SPRING SUPPORT	2
43	48600299	O-RING 6X1,2 NBR	4
44	48600578	SPRING REB. L=32 C=37 DI=13,9	2
45	48600576	PISTON ROD REBOUND	2
47	48600382	SHUTTLE VALVE SPRING C=0,4	2
47	35480377	SPRING CHECK VALVE D=0,5	2
48	48600519S3	MEMBRANE HOLDER INKL. PIN SET	2
49	48600512	LOCK WASHER D=25,5	2
50	48600542	AH SCREW M4X6	2
51	46811499	O-RING NBR 21X2	4
52	48600047	PISTON COMPRESSION D=27,9	2

097730130

C107730130

\* NEW PART

X ON DEMAND

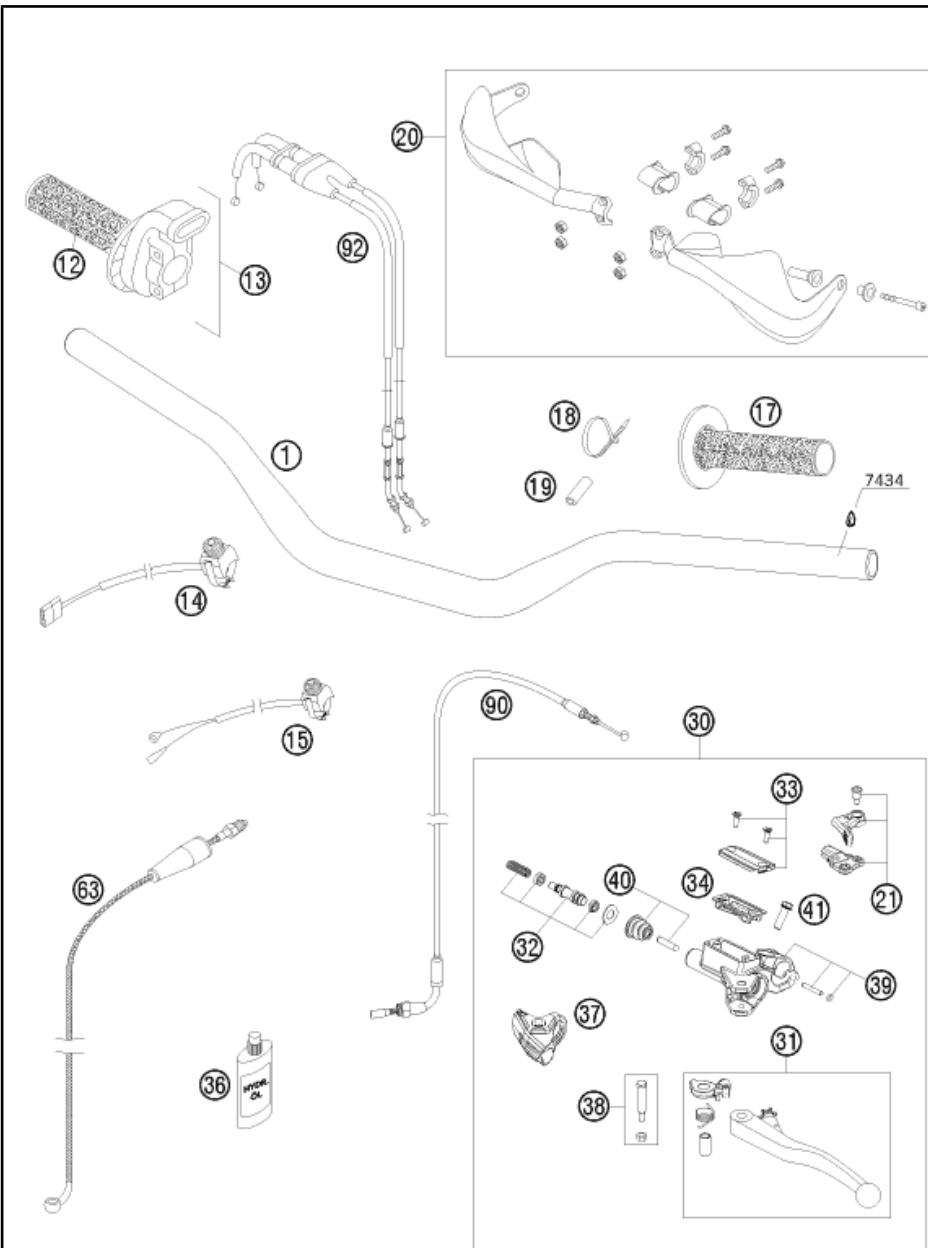


POS	PARTNUMBER	PARTNAME	PIECE
53	50180222	O-RING NBR 4X1,5	8
54	48600977S	PIN KIT	2
55	40540486	NUT M6X0,5 REBOUND	2
56	48600744	GUIDE RING 44 X39	2
57	48600577	RING SPRING-SUPPORT	2
59	48600048	O-RING NBR 46 X 2	2
60*	48600697S2	AXLE CLAMP L/S + TUBE CPL. 09	1
61*	48600864S1	FORK AX.PASS + TUBE CPL.	1
62	0025080256	HH COLLAR SCREW M8X25 TX40	4
63	48600163	CHECK VALVE NUT M6X0,5 D=2	2
64	48600202	SPRING CHECK VALVE D=0,7	2
69	48600509	PISTON ROD COMPRESSION	2
71	48600575	PISTON REBOUND SX 2007	2
72	48600455	PISTON RING 5X1X68	2
74	48600296	RING D=23,45X2,65	2
75	48600471	PISTON ROD SEALING	2
76	48600546S	SCREW SLEEVE M24,5X1 CPL.	2
77	48600430	DU BUSH FOR PISTON ROD	2
78	48600709	CHECK VALVE STOP	2
79	48600446	LOCK WASHER D=20	2
81	15080017	SILICON CAP	2
82	48600692	RUBBER CAP D=26,4	2
83	48600401S1	% FORK OIL SAE5 5L 2005	1
84	40140024	O-RING NBR 43X2	2
85	48600516S1	% SCREW CAP CPL. L=125	2
87	48600526	SCREW M4X10	4
88	48600514	MEMBRANE SLEEVE	2
98	T511	SILICONE GREASE F. DUST STRI	1
99	R14014	REPAIR-KIT GASKET 48MM 0	1

097730130

C107730130

\* NEW PART X ON DEMAND



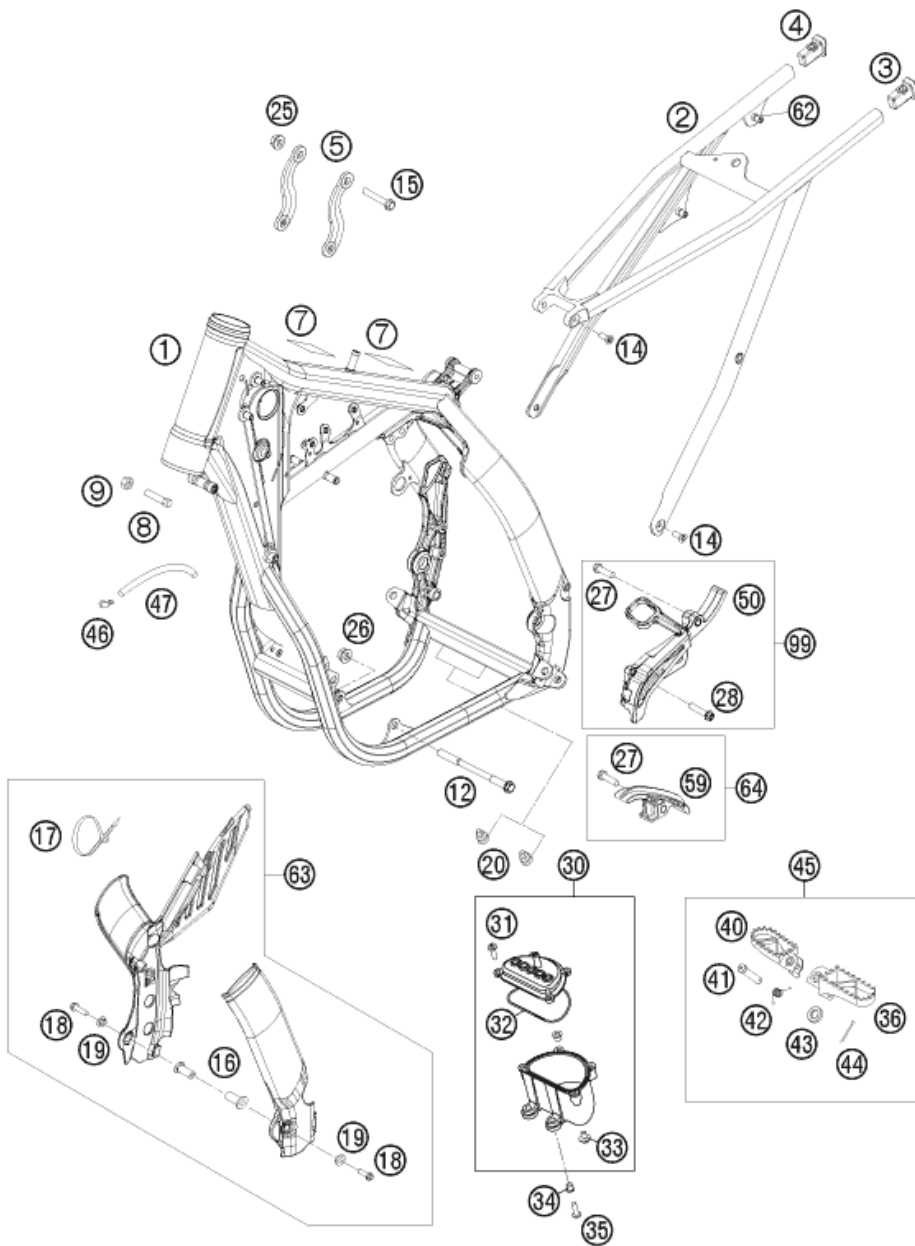
097730211

POS	PARTNUMBER	PARTNAME	PIECE
1	5480200120017	% HANDLEBAR D=28 MM RENTHAL796	1
12	54802013000	%TWIST GRIP COVER RENTHAL 04	1
13	59402010000	% THROTTLE GRIP CPL. RAC. 04	1
14	63011074000	STARTER BUTTON 06	1
15	50311089200	SHORT CIRCUIT BUTTON 02	1
17	54802021200	% GRIP-SET GRAY/ORANGE 09	1
18	44011076200	CABLE TIE 200/3,6MM BLACK	x
18	44011076100	% CABLE TIE 100/2,5MM BLACK	x
19	78011016015	HOSE 7X11,5X15	1
20	6000207910030	% HANDGUARD L/S+R/S CPL.BLCK	1
21	77302047000	HOT START LEVER CPL. 09	1
30	77302030000	MASTER CYLINDER CPL. 10,5MM 09	1
31	50302031300	CLUTCH LEVER CPL. 2009	1
32	77302032000	REP.KIT PISTON 10,5MM 09	1
33	50302033200	COVER HYDR. CLUTCH CPL. 09	1
34	50302034100	RUBBER FOR RESERVOIR 09	1
36	50302036200	OIL FOR HYD. CLUTCH 100 ML	1
37	50302037100	% MUD CAP 09	1
38	50302038100	LEVER SCREW CPL. 09	1
39*	83013005000	CLAMP, CYL. PIN, O-RING	1
40	50302046000	PUSH ROD CPL. 09	1
41	0025060166	HH COLLAR SCREW M6X16 TX30	1
63	59032063100	CLUTCH PIPE RACING 2003	1
90	77002096000	HOT START CABLE 05	1
92	77002091000	THROTTLE CABLE 250 SXF 2005	1

C107730212

\* NEW PART

X ON DEMAND



097730312

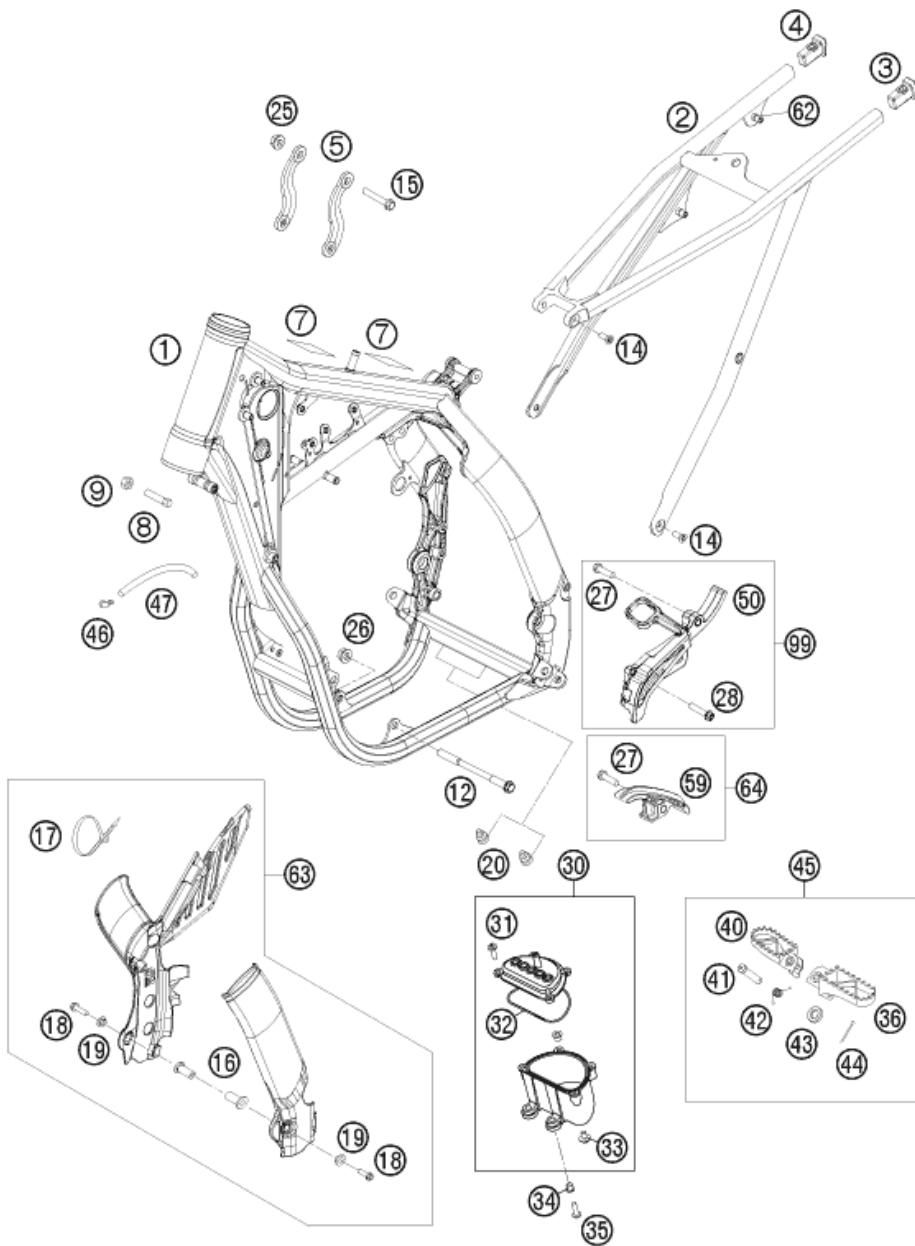
POS	PARTNUMBER	PARTNAME	PIECE
1	7730320100030	FRAME SMR "JE08" 08	1
2	77303002000	SUB FRAME SX "Q7" 07	1
3	78003002010	% SUB FRAME APPLICAT. LEFT 08	1
4	78003002020	% SUB FRAME APPLICATION R/S 08	1
5	77303113000	ENGINE BRACE 450 SX-F 09	2
7	50307012000	ADH. FOIL TRANSP. 80X80 MM 04	2
8	59001037000	SPECIAL SCREW M8X26 WS=10	2
9	0934080003	HEXAGON NUT DIN0934-M 8	2
12	59003013000	ENGINEBRAC.SCREW M10X123 WS=13	2
14	0019080206S	FLAT HEAD SCREW M. ISA45 M8X20	4
15	56530079000	% HH COLLAR SCREW M 8X44 WS13	2
16	54803092050	BLIND PLUG-IN NUT M5 WN 22A 03	2
17	44011076305	CABLE TIE 300/4,8MM BLACK	1
18	0738050250	COU.SUNK SCR. AH ISO7380 M5X25	2
19	54803092060	BUSH F. FRAME PROTECTION 03	2
20	54403135000	PLASTIC CAP SFL10	2
25	54310086200	SELF LOCKING NUT M8 10.9	2
26	54310086100	SELF LOCKING NUT M10 CU WS=14	2
27	0025080306	HH COLLAR SCREW M8X30 TX40	2
28	0025060356	HH COLLAR SCREW M6X35 TX30	1
30	59431096000	EXPANSION TANK CPL. 2004	1
31	0017060203	% EJOT PT SCREW K60X20 WS=6	4
32	0770760021	O-RING 76,00X2,00 VITON	1
33	0024060106	HH COLLAR SCREW M6X10 TX30	1
34	58314060050	% SPACER BUSH. F. SPEEDOMET.B.	2
35	0024060256	HH COLLAR SCREW M6X25 TX30	2
36	59003040250	% FOOT PEG L/S SILVER 02	1
40	59003041250	FOOT PEG R/S SILVER 02	1
41	54803044000	PIN FOR FOOT PED 51.5X9.8 MM	2
42	54603041000	FOOTREST SPRING L/S & R/S	2
43	0125100003	WASHER DIN0125-A10,5	2
44	0094032253	PIN DIN0094-3,2X25 STEEL	2
45	5030314013390	FOOTPEG L.+R. CPL. 03	1
46	50303089000	ANGLE PIECE '97	x
47	78015019000	HOSE EPA D=6/10 L=2000MM	x
50	77303096000	CHAIN SPROCKET COVER	1
59	77303053000	CHAIN SLIDING PIECE BELOW 07	1
62	77303139000	BLIND RIVET NUT EM6-60LF/HX	x

C107730312

\* NEW PART

X ON DEMAND



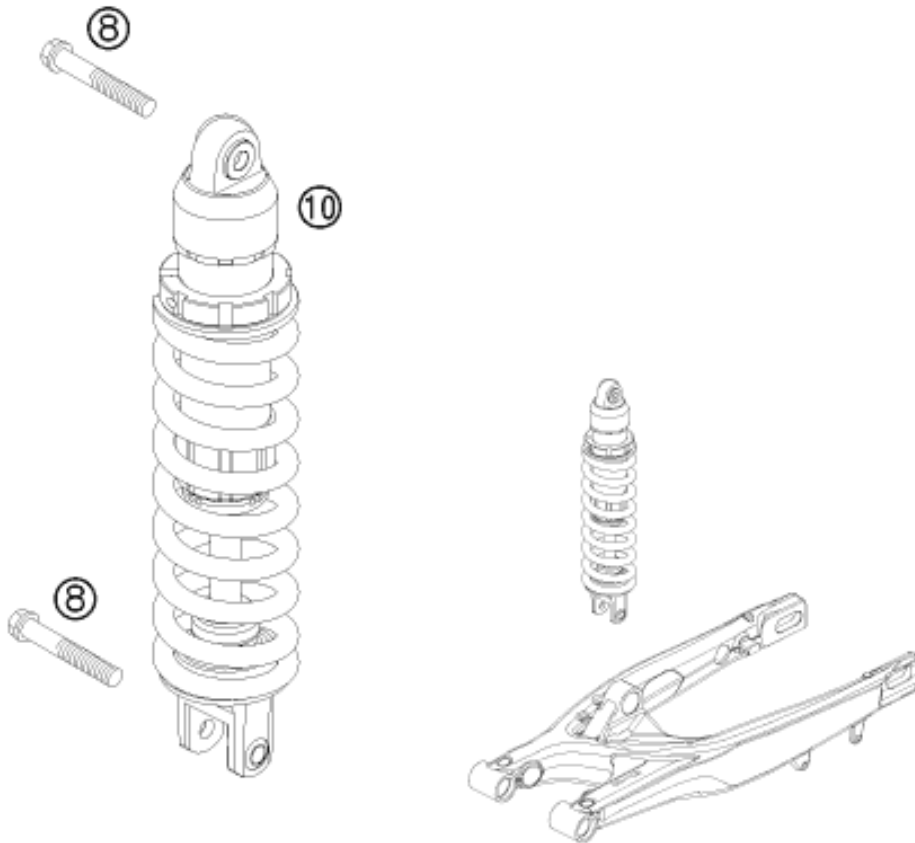


POS	PARTNUMBER	PARTNAME	PIECE
63	77303094100	PLASTIC FRAME PROTECTION SET	1
64	77303053010	CHAIN SLIDING KIT BELOW CPL07	1
99	77303096010	SPROCKET COVER KIT	x

097730312

C107730312

\* NEW PART X ON DEMAND



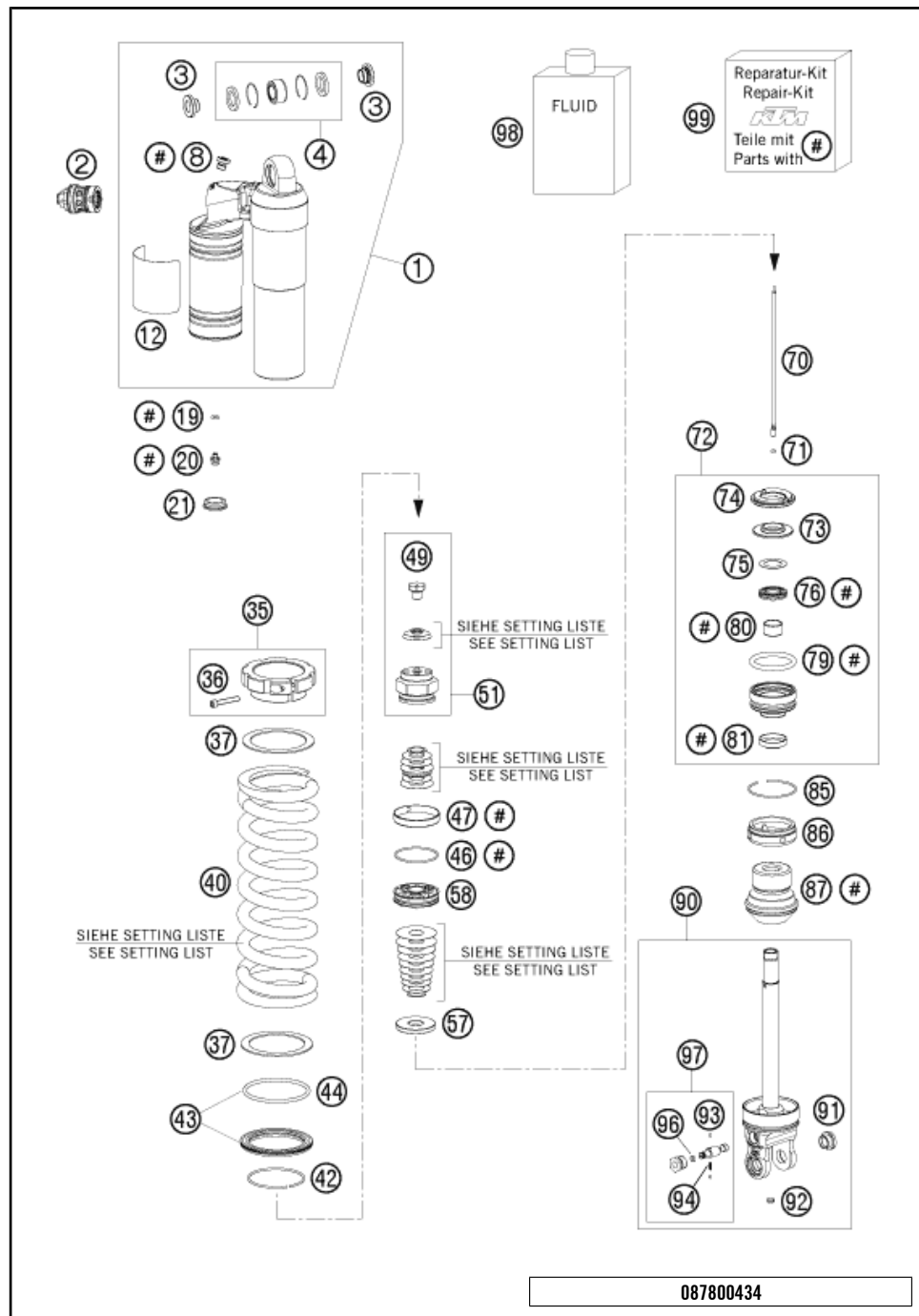
POS	PARTNUMBER	PARTNAME	PIECE
8	0025120506S	HH COLLAR SCREW M12X50 TX45	2
10*	12187J15	MONOSHOCK	1

085030410

C107730413

\* NEW PART

X ON DEMAND

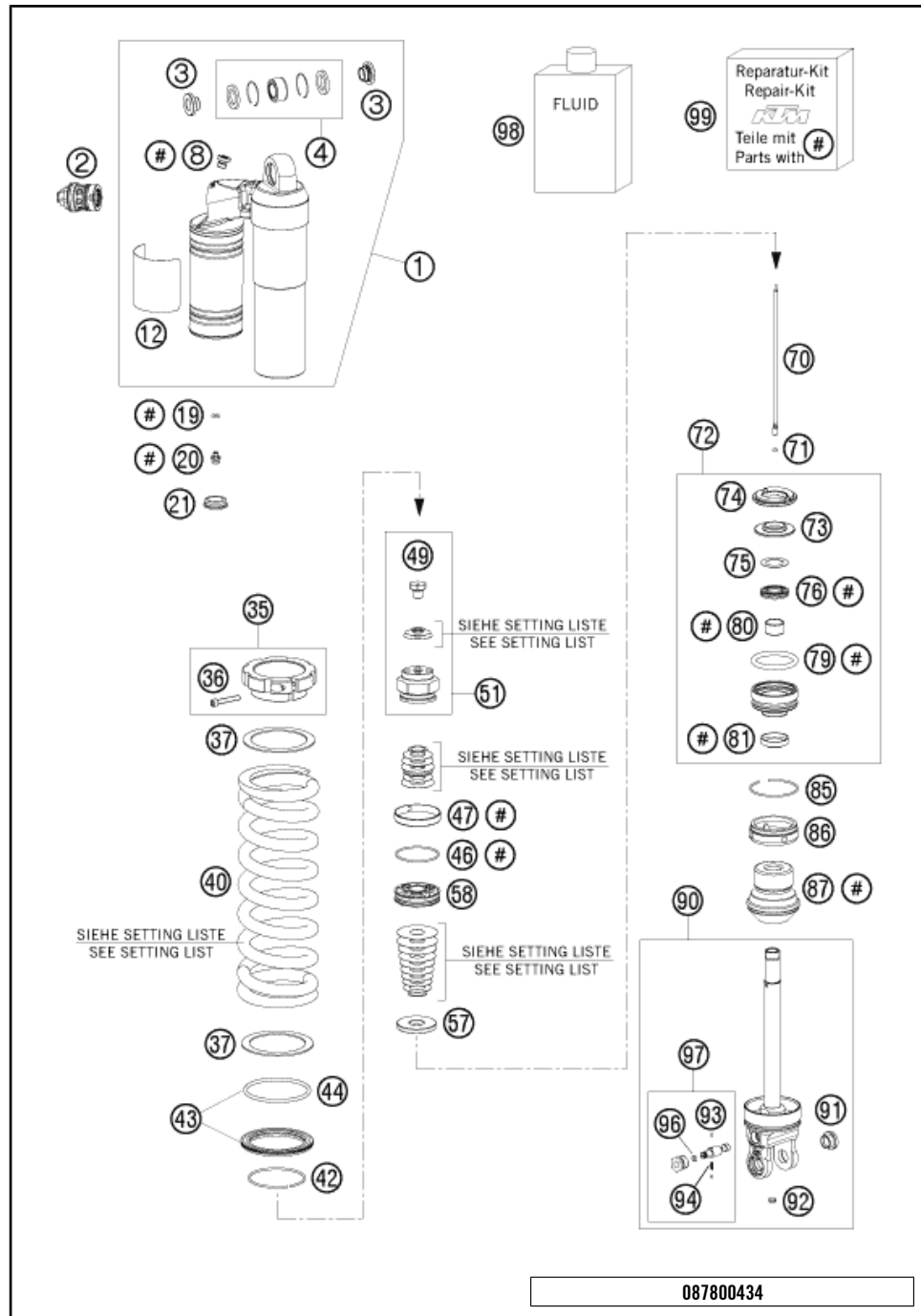


POS	PARTNUMBER	PARTNAME	PIECE
1*	50180733S5	TOP PART CPL. M57,5X1 SMR 09	1
2	50180213S4	DCC-COMPR.DAMP.CONTROL CPL. 03	1
3	46180007	ADAPTOR BUSH KGW 12X24	2
4	R12012	REP. KIT BEAR./SEAL UP. 07	1
8	50180095	BLEED PLUG R 1/8	1
12	52000041	% WP CAUTION (PDS KTM) 58X83	1
19	46810893	O-RING NBR 5,28X1,78	1
20	36120151	SCREW PLUG M5X6	1
21	46811208	RUBBER CAP "DO NOT OPEN"	1
35	50180520S	SPRING RETAINER M57,5X1 +SCREW	1
36	50180327	AH SCREW M5X30 DIN912	1
37	50180114	SPACER RING FOR SPRING	2
40	91210070S	SPRING 250 76N/MM	x
40	91210072S	SPRING 250 80 N/MM	x
40	91210073S	SPRING 250 84 N/MM	x
42	50180273	CIRCLIP 58,2X2	1
43	50180463S	SPRING RET. D=80 W. O-RING 05	1
44	50180352	O-RING VITON 66,27X3,53	1
46	50180099	O-RING VITON 44,17X1,78	1
47	50180135	PISTON RING 50-8	1
49	46180056	BLEED SCREW M6	1
51	50180616S	PISTON ROD NUT M16X1 CPL.	1
57	50180196	REBOUND DISC D=34, H=8	1
58	50180197	PISTON 6+6X7/4,5	1
70	50180513	NEEDLE L=171	1
71	46811265	O-RING VITON 2,2X1,6	1
72	50180603S	ADAPTOR CPL. D=50 H=28 08	1
73	50180113	STEEL DISC 18X,5X43,7X6	1
74	50180107	REBOUND RUBBER	1
75	50180604	SHIM D29,75 X D19 X T0,4 08	1
76	50180605S	SEAL D18X30X5 08	1
79	50180103	O-RING 41X5	1
80	46180119	DU-BUSH 18X20X12	1
81	50180606	DUST SEAL 1828 08	1
85	50180126	CIRCLIP 53X1,75	1
86	50180511	COVER D=50 07	1
87	50180480	BUMP RUBBER D58 D17 H59 SXS 05	1
90	50180512S1	MONOSHOCK LOWER PART CPL. 07	1

087800434

C107730430

\* NEW PART X ON DEMAND



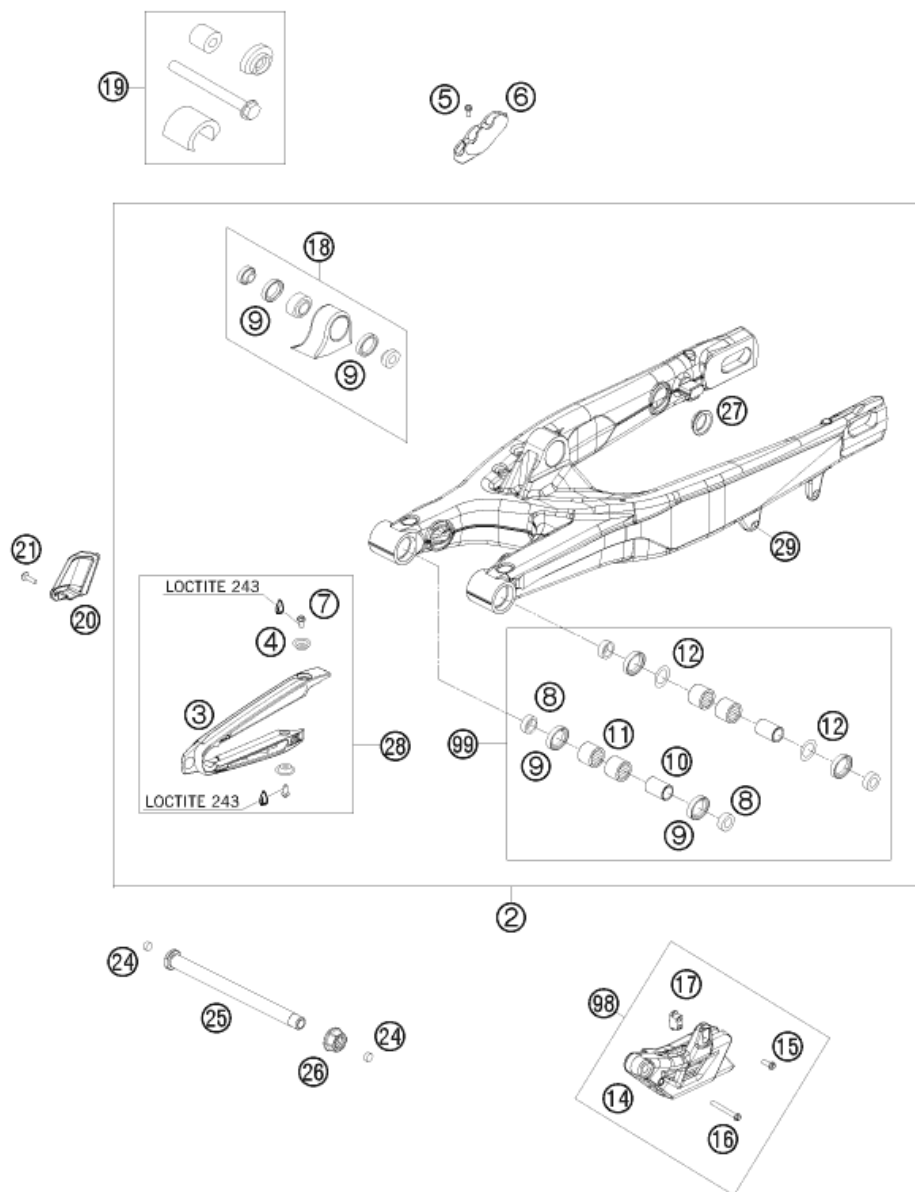
087800434

C107730430

POS	PARTNUMBER	PARTNAME	PIECE
91	50180105	THREADED BUSH M12 PDS	1
92	50180297	RUBBER PLUG D=8	1
93	40540603	STEEL BALL D=3MM	2
94	48600028	SPRING D=2,9 L=7,9	1
96	50180222	O-RING NBR 4X1,5	1
97	50180434S	ADJUSTING SCREW REBOUND TRAVEL	1
98	50180342S1	%SHOCK ABSORBER FLUID 5 LT '03	1
99	R12014	REPAIR KIT 5018 PDS 06	1

\* NEW PART

X ON DEMAND

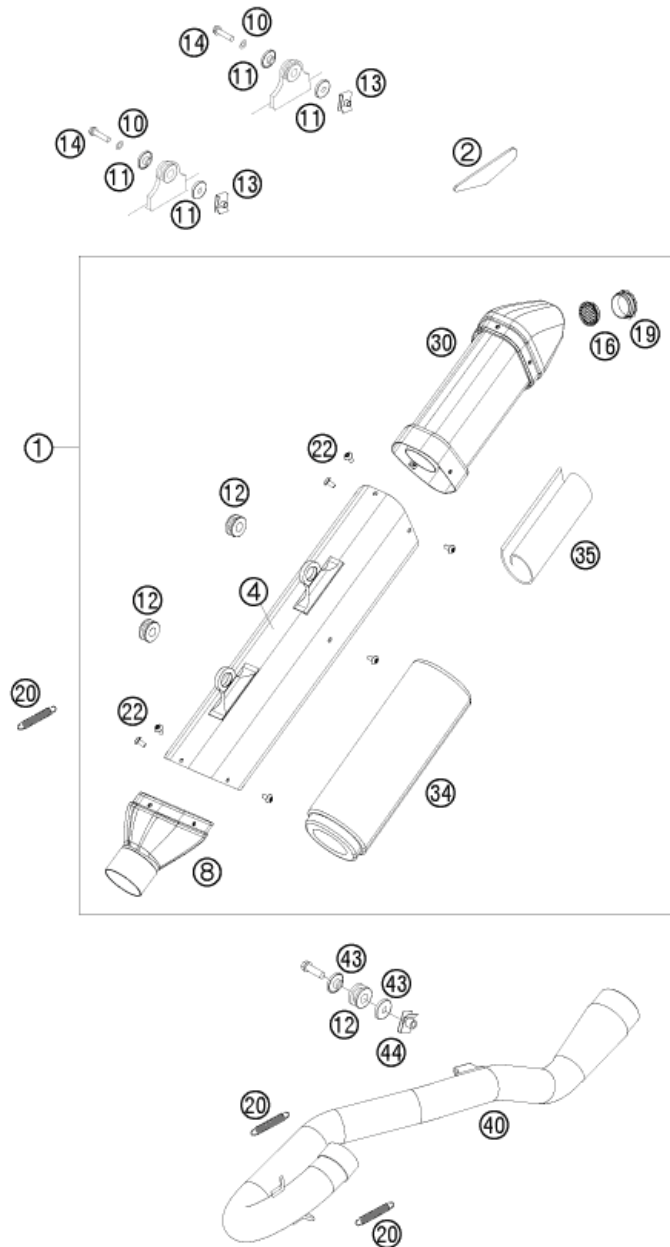


POS	PARTNUMBER	PARTNAME	PIECE
2	77304230044	SWING ARM CPL. 08	1
3	77304066000	CHAIN SLIDING PROTECTION	1
4	77304066050	BUSHING F. CHAIN SLIDING PR.07	2
5	0009050103	% SPECIAL SCREW M 5,0X10	2
6	77313047000	BRAKE HOSE GUIDE LOWER 07	1
7	59009062013	SPECIAL SCREW M6X13 WS=8 10.9	2
8	54804034000	BUCKET F. SHAFT SEAL RING 03	4
9	0760253270	SHAFT SEAL RING 25X32X7	6
10	54804032000	BUSHING SLEEVE F. SWING ARM 03	2
11	58033097000	NEEDLE BEARING HK 2216	4
12	54603036000	STOP DISK 22,2X31,7X1	2
14	78004070000	% CHAIN GUIDE CPL.	1
15	59009062019	SPECIAL SCREW M6X19 WS=8 10.9	1
16	0025060456	HH COLLAR SCREW M6X45 TX30	1
17	77304070030	INSERTION NUT F. CHAIN GUIDE	1
18	50304090044	% PIVOT BEARING+BUSH. PDS '99	1
19	50329000044	TOOL BEARING MOUNTING PDS	1
20	77304260000	% CHAIN STOP GUARD SMR 2008	1
21	0017060203	% EJOT PT SCREW K60X20 WS=6	1
24	55009086000	PLUG SFL13	2
25	77304037000	SWINGARM BOLT M16X1,5 07	1
26	54804038000	SELF LOCK.NUT M16X1,5 WS=19 03	1
27	58404041100	CLOSING COVER ROUND 03	4
28	77304066010	CHAIN GUARD CPL. 07-11	1
29	54603055051	PRESS IN NUT M6 STEEL ZINC	1
98	77304070310	CHAIN GUIDE KIT REAR 08-14	1
99	54804230210	SWINGARM REPAIR KIT 05-15	1

087730491

C087730491

\* NEW PART X ON DEMAND



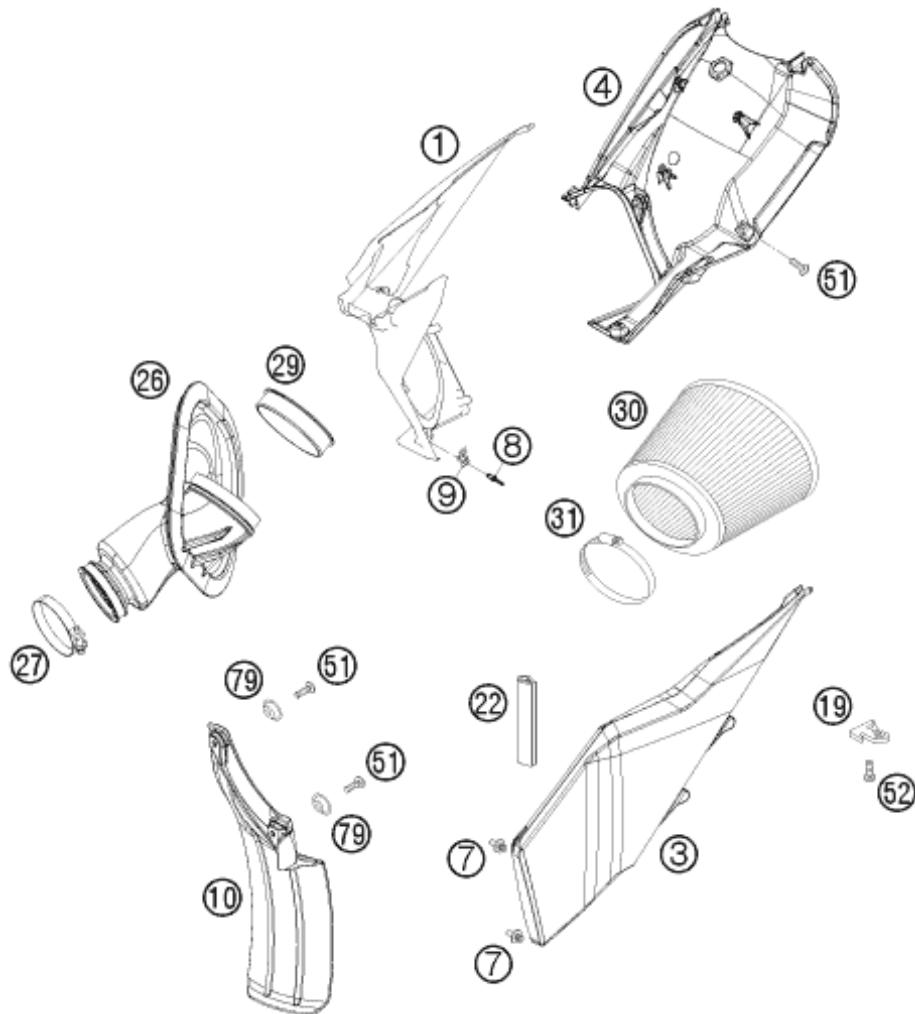
POS	PARTNUMBER	PARTNAME	PIECE
1	77005081000	SILENCER EXC-F THROTTLED 07	1
2	77308013050	THERMAL PROTECTION FOIL 07	1
4	77005081050	SILENCER HOUSING EXC-F 07	1
8	77005081109	CONNECTING CAP CPL. EXC-F 08	1
10	0137060003	SPRING WASHER DIN0137-B 6	2
11	77305069000	BUSHING 7.5x12x28x7.6 07	4
12	54605068000	% EXHAUST BRACKET RUBBER BLACK	3
13	54603048100	RANGE CHANGE METAL NUT M6	2
14	0025060306	HH COLLAR SCREW M6X30 TX30	2
16	77005081065	THROTTLE ELEMENT CPL. EXC 07	1
19	77005081055	SIL. ELEMENT EXC-F 07	1
20	50305016000	TEN.SPRING L=62MM EY.MOVEABLE	3
22	58605083010	SCREW TORX M5X10 05	10
30	77005081007	ENDCAP W. SILENCER ELEMENT 09	1
34	77005078315	% STUFFINGYARN 315 GRAMS	1
35	77005081016	% STUFFING YARN EXC-F 07	1
40	77305007200	EXHAUST MANIFOLD 450 SX-F 09	1
42	0025080256	HH COLLAR SCREW M8X25 TX40	1
43	59405069000	BUSHING FOR EXHAUST SUPPORT 03	2
44	54603048000	RANGE CHANGE METAL NUT M8	1

097730511

C107730513

\* NEW PART

X ON DEMAND



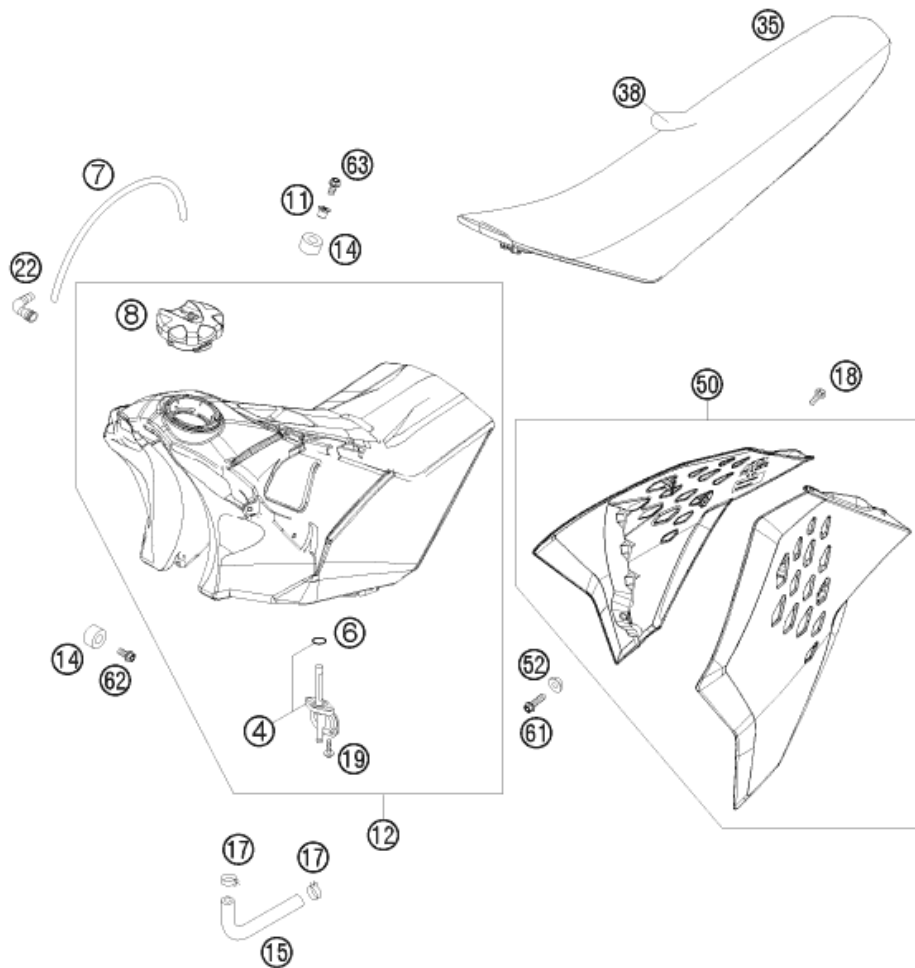
POS	PARTNUMBER	PARTNAME	PIECE
1	7730600111030	AIR BOX PART BLACK	1
3	7730600300030	AIR BOX COVER SX BLACK 07	1
4	77306001020	REAR PART FILTER BOX 07	1
7	54806008051	QUICK RELEASE-NIPPLE 03	2
8	54806108052	BLIND RIVET 3,3X9,7 GROOVED 04	4
9	54806008050	QUICK RELEASE-SPRING HANGER	2
10	77306010000	FENDER FOR FILTER BOX	1
19	77306019000	FASTEN. DEVICE FILTER S. SX 07	1
22	60114010070	EDGE PROTECTOR 14X9,5X66 MM 06	1
26	77306226000	CARB. CONNECT. BOOT 450 SMR 08	1
27	78006027000	HOSE CLAMP 45-65MM	1
29	77306226040	AIR FILTER SPACER RING SMR 08	1
30	57306015000	AIR FILTER	1
31	58506027000	HOSE CLAMP 70-90MM	1
51	0017060204	%EJOT PT SCREW K60X20 ALU WS=6	x
52	0017060203	% EJOT PT SCREW K60X20 WS=6	1
79	77304066050	BUSHING F. CHAIN SLIDING PR.07	2

087730610

C107730611

\* NEW PART

X ON DEMAND



POS	PARTNUMBER	PARTNAME	PIECE
4	50307005000	GAS COCK MIKUNI ON/OFF 2001	1
6	0770130023	O-RING 13,00X2,30	1
7	78007000270	PVC-HOSE 5,6X10X270MM	1
8	7800700804404	% TANK PLUG ORANGE/BLACK	1
11	77307026000	TANK BUSHING 07	1
12	7730701313330	FUEL TANK CPL. SX 7,5L 08	1
14	50307014000	TANK ROLLER 12X26X12 '98	3
15	77307016000	FUEL PREFORMED HOSE 450 SX-F	1
17	58031005000	CLAMP YDNAC 10128 12MM	2
18	0017060204	%EJOT PT SCREW K60X20 ALU WS=6	8
19	0017060203	% EJOT PT SCREW K60X20 WS=6	2
22	51030022000	ANGLE PIECE 90 DEGREE M10X1	1
35	77307040000	SEAT SX 07	1
38	77307040050	SEAT COVER 07	1
50	7730805410030L	SPOILER SET BLACK SMR 10 WITH DECAL	1
52	50308052000	BUSH FOR SPOILER 6X11X16X5 MM	2
61	0025060206	HH COLLAR SCREW M6X20 TX30	2
62	0025060126	HH COLLAR SCREW M6X12 TX30	2
63	0024060273	COLLAR SCREW M6X27 TX	1

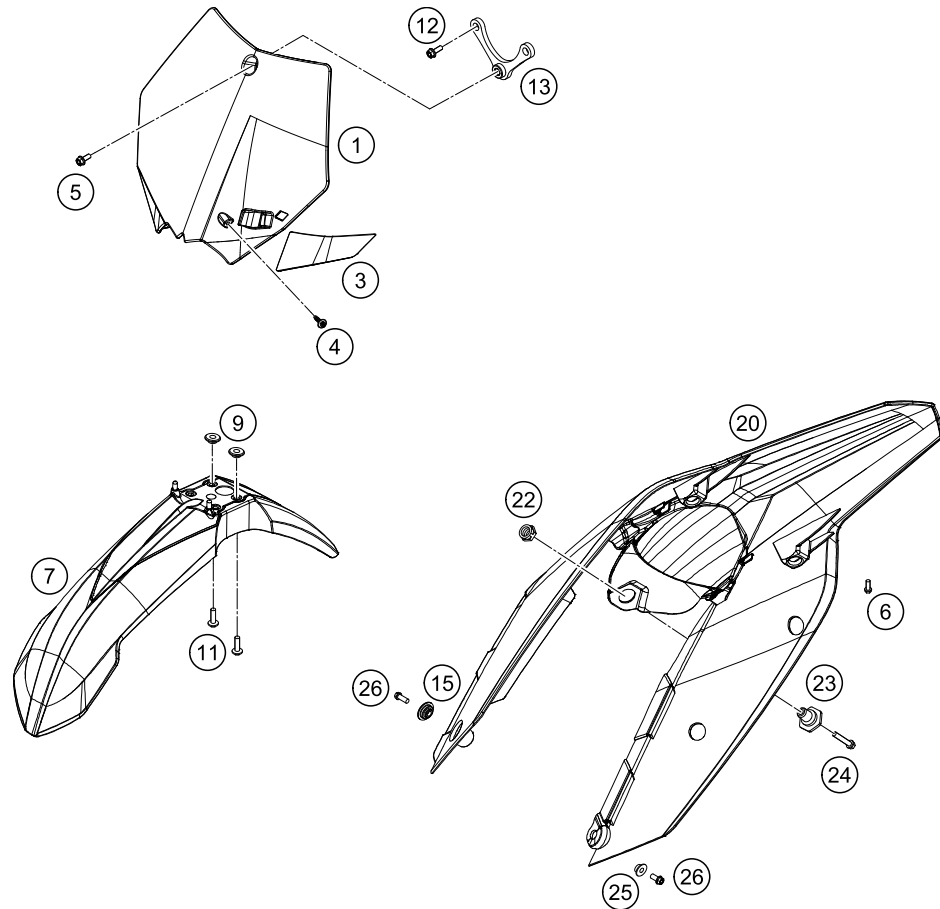
087800712

C107730711

\* NEW PART

X ON DEMAND





087730810

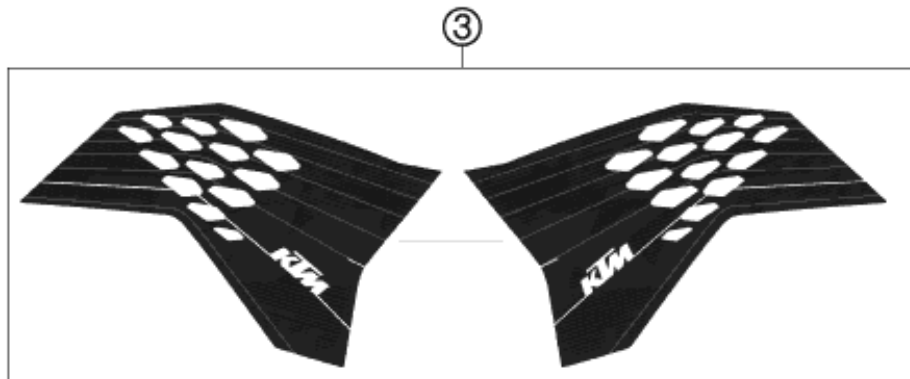
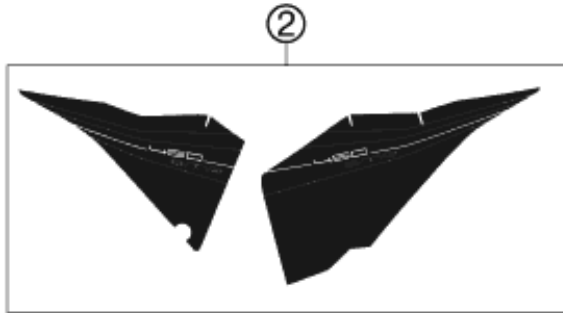
POS	PARTNUMBER	PARTNAME	PIECE
1	7730800704430	START NUMBER PLATE CPL. BLACK	1
3	7730802200004	BRAKE HOSE GUIDE ORANGE 07	1
4	0017060204	%EJOT PT SCREW K60X20 ALU WS=6	1
5	0024060106	HH COLLAR SCREW M6X10 TX30	1
6	0025050206	HH COLLAR SCREW M5X20 TX30	2
7	7730821000030	FENDER FRONT SMR 08	1
9	54808020000	SPACER BUSHING 03	4
11	0024060206	HH COLLAR SCREW M6X20 TX30	4
12	0025060106	HH COLLAR SCREW M6X10 TX30	2
13	77308207051	RETAINER F.NUMBER PLATE SMR 08	1
15	77306001030	COLLAR BUSHING 4,5/12,6/23	1
20	7800801300030	REAR PART EXC BLACK	1
22	50314057050	COLLAR NUT M12X1/WS17 H=5MM	1
23	54807048000	BUSHING FOR SEAT FASTENING 03	1
24	0025060256	HH COLLAR SCREW M6X25 TX30	1
25	50308052000	BUSH FOR SPOILER 6X11X16X5 MM	1
26	0025060206	HH COLLAR SCREW M6X20 TX30	2

C107730810

\* NEW PART

X ON DEMAND

POS	PARTNUMBER	PARTNAME	PIECE
2*	77308291200	DISPLACEME. STICKER 450 SMR 10	1
3*	77308090000	SPOILER DECAL 450 SMR 08	1

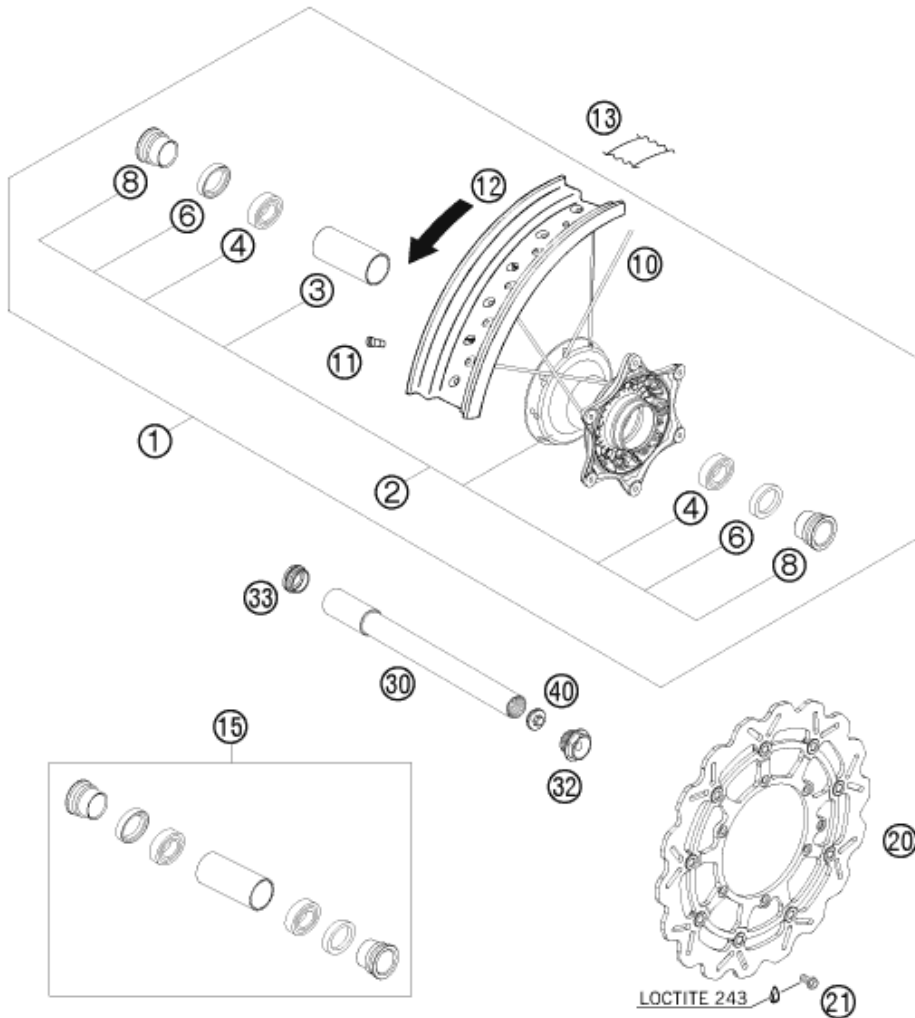


107730834

C107730834

\* NEW PART

X ON DEMAND



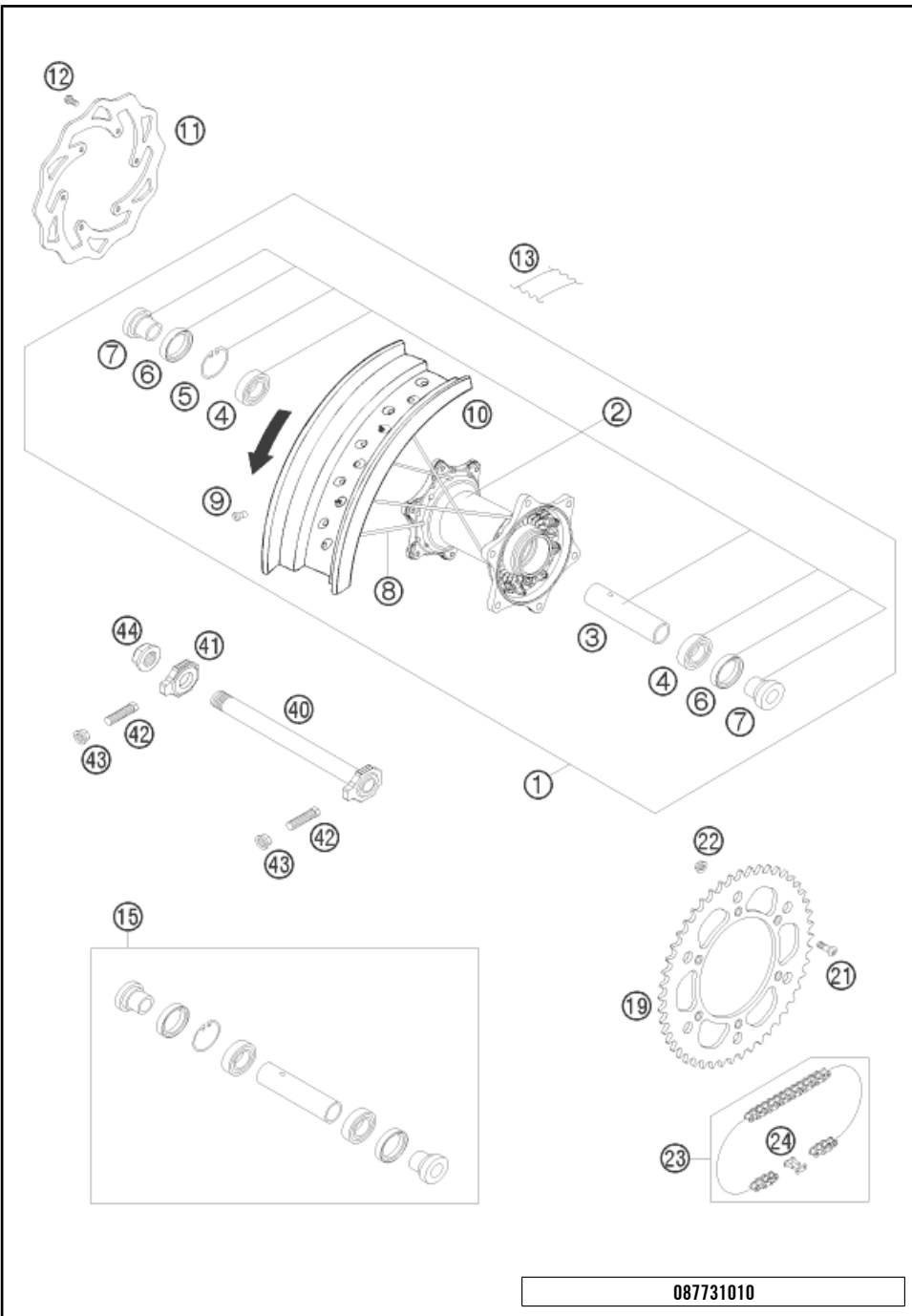
POS	PARTNUMBER	PARTNAME	PIECE
1	7730920104430	FRONT WHEEL 3,5X16,5 SMR 08	1
2	78009010044	% FRONT WHEEL HUB CPL. 08	1
3	54809011000	BEA.SPACERTUBE 35X2 L=79,4 03	1
4	0625069068	GR.BALL BEAR.6906 DDU2CG23S6NM	2
6	0760354771	SHAFT SEAL RING 35X47X7 TC	2
8	78009012000	SPACER BUSHING F. FR. WHEEL 08	2
10	77309271164	SPOKE M4,5X164-16,5" 08	36
11	50309072100	SPOKE NIPPLE M4,5X0,75 8X21	36
12	7730927000030	FRONT RIM 3,5X16,5"	1
13	58309073000	RIM BAND 17"	1
15	78009015000	FRONT WHEEL REP. KIT	x
20	58609060000	WAVE BRAKE DISC FRONT 2005	1
21	59009062016	SPECIAL SCREW M6X16 WS=8 10.9	6
30	77309081000	WHEEL SPIN.FR. D=26 M24x1,5 07	1
32	54809082000	SPINDLE SCREW M24X1,5 WS=27 03	1
33	54809081050	PLUG BUSHING WS=27 03	1
40	54809081070	AUXILIARY SCREW FRONT 06	1

087730910

C087730910

\* NEW PART

X ON DEMAND

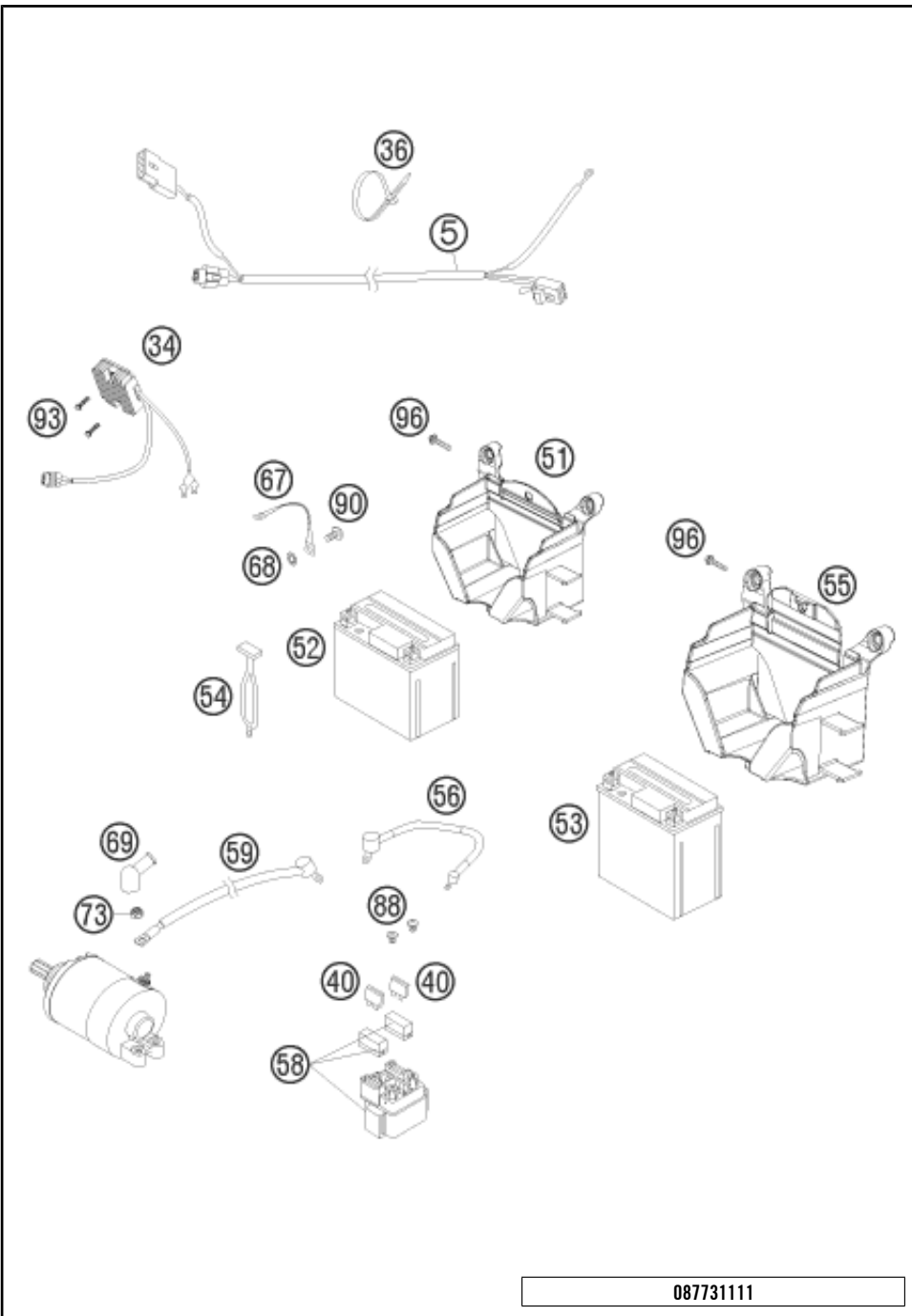


POS	PARTNUMBER	PARTNAME	PIECE
1	7731020104430	REAR WHEEL CPL. 5X17 SMR 08	1
2	78010010044	%REAR HUB CPL. 08	1
3	59010011000	% BUSH. SPACER TUBE 121,5MM 01	1
4	0625060058	GR.BALL BEAR.6005 DDU2CG23S6NM	2
5	0472047175	CIRCLIP DIN0472-47X1,75	1
6	0760324771	SHAFT SEAL RING 32X47X7 BSL	2
7	78010016000	BUSHING FOR HUB 08	2
8	58309071100	SPOKE M5X174-13,5G 17"	36
9	58309072100	SPOKE NIPPLE M5-TA 8X21MM	36
10	5941007000030	REAR RIM 5,0X17"	1
11	77310060000	BRAKE DISC REAR 220	1
12	59009062013	SPECIAL SCREW M6X13 WS=8 10.9	6
13	58309073000	RIM BAND 17"	1
15	78010015000	REAR WHEEL REP. KIT	x
19	58310051038	REAR SPROCKET 38-T	x
19	58310151040	REAR SPROCKET 40-T	x
19	58310051042	REAR SPROCKET 42-T	x
19	58310151045	REAR SPROCKET 45-T	x
19	58310151048	REAR SPROCKET 48-T	x
19	58310151049	REAR SPROCKET 49-T	x
19	58310151050	REAR SPROCKET 50-T	x
19	58310151051	REAR SPROCKET 51-T	x
19	58310151052	REAR SPROCKET 52-T	x
21	0019080266S	COUNTER-SUNK SCREW ISA45 M8X26	6
22	06923080003	HEXAGON NUT DIN EN1661 M8 SW13	6
23	50310165118	CHAIN 5/8X1/4" MX	1
24	50310166000	CONNECTING LINK F. 50310165118	1
40	77310085044	WHEEL SPINDLE RE. CPL.265MM 07	1
41	50310084000	CHAIN TENSIONER R/S 2000	1
42	50304040100	SCREW M10X1,25X50 WS=10	2
43	58414030000	HH COLLAR NUT M10X1,25 WS=13	2
44	50310099000	HEXAGON NUT M20X1,5 '98	1

087731010

C097731010

\* NEW PART X ON DEMAND



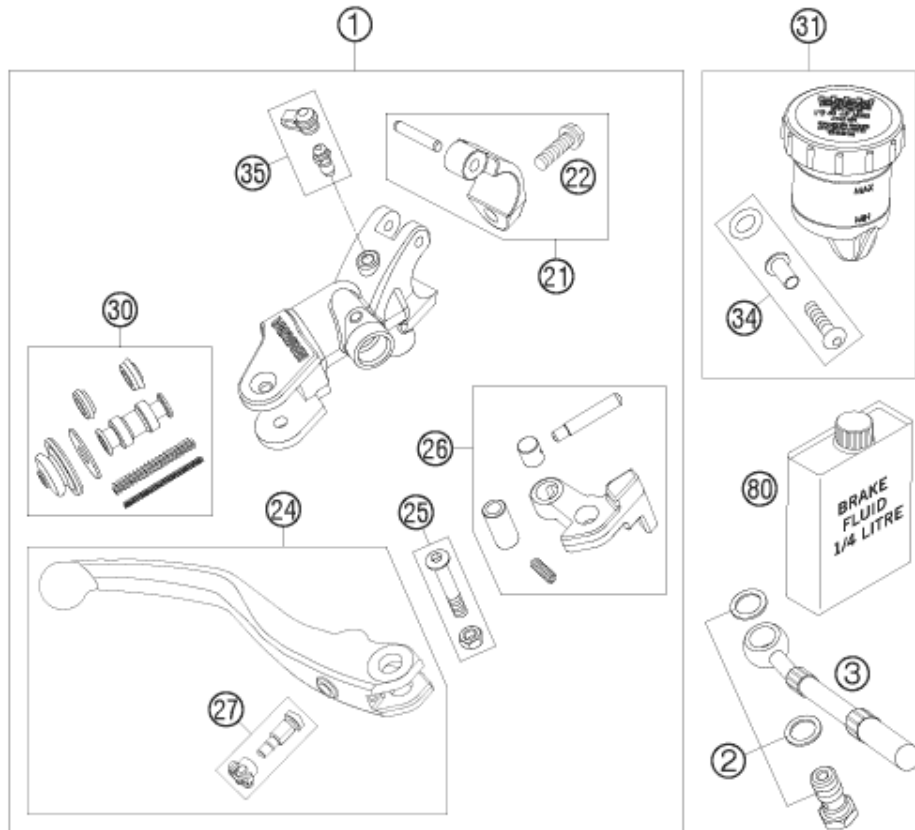
087731111

POS	PARTNUMBER	PARTNAME	PIECE
5	77311075000	MAIN WIRING HARNESS 450 SX-F	1
34	77211034000	VOLTAGE REGULATOR 09	1
36	44011076200	CABLE TIE 200/3,6MM BLACK	x
36	44011076305	CABLE TIE 300/4,8MM BLACK	x
40	58011109110	FUSE 10 A 2000	2
51	77311055000	BATTERY CASING	1
52	77311053000	BATTERY 12V 3AH YTX4L-BS	1
53	58511053000	BATTERY 12V 4AH YTX5L-BS	1
54	50303018000	RUBBER L=145MM	2
55	78011055000	BATTERY CASE EXC 08	1
56	58711086000	WIRING HARNESS BATTERY DUKE'99	1
58	58211058000	STARTER RELAY 12V '99	1
59	58411059100	STARTERCABLE 700 MM '97	1
67	58411097100	GROUND CABLE D=6MM L=140MM '97	1
68	58411098100	CONTACT WASHER M6 VSV-K6	1
69	58440099000	PROTECTION CAP F. STARTER ENG.	1
73	0985060003	SELF LOCK. NUT DIN0985-M 6	1
88	0902060083	AH OVAL SCREW ISO 7380 M 6X8	2
90	0009050103	% SPECIAL SCREW M 5,0X10	1
93	0024060206	HH COLLAR SCREW M6X20 TX30	2
96	0017060203	% EJOT PT SCREW K60X20 WS=6	3

C107731111

\* NEW PART

X ON DEMAND



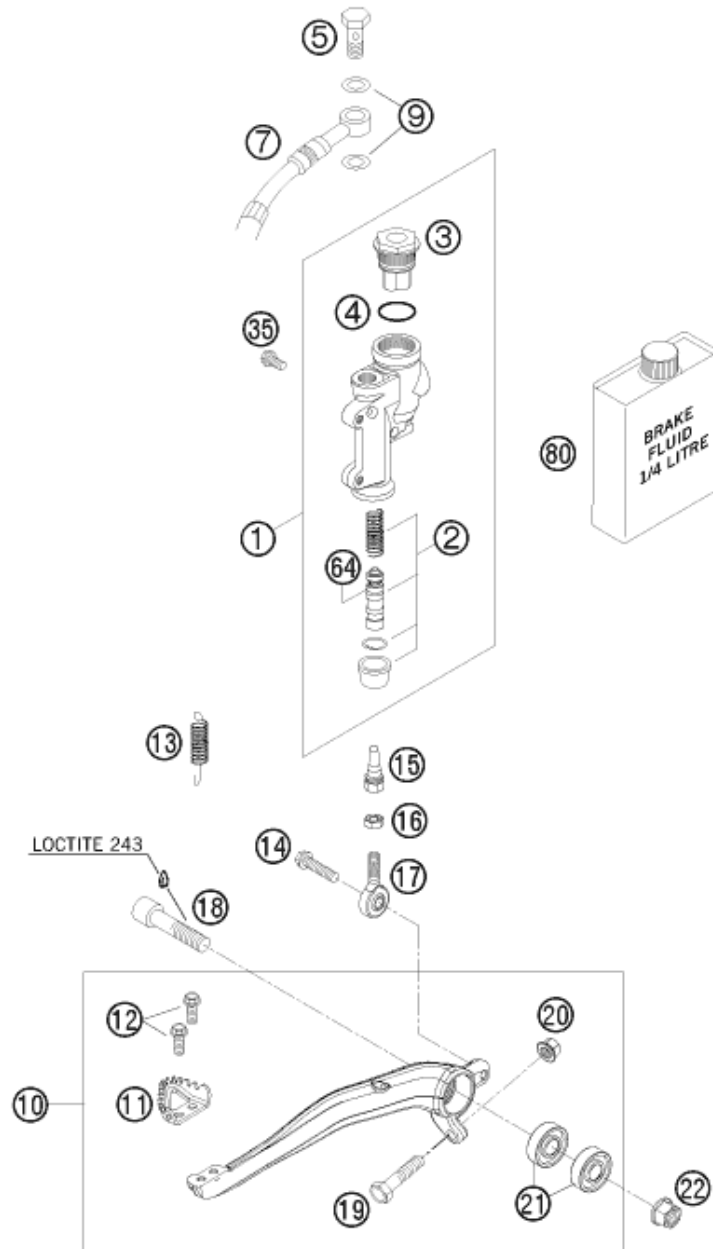
POS	PARTNUMBER	PARTNAME	PIECE
1	59413001100	% HANDBRAKECYLINDER MAGURA 07	1
2	59032062000	HOLLOW SCREW + COPPER GASKET	1
3	59413012000	BRAKEHOSE FRONT 1160MM 07	1
21	59413005000	CLAMP 07	1
22	0025060166	HH COLLAR SCREW M6X16 TX30	1
24	59413002144	HANDBRAKE LEVER CPL. 07	1
25	61002038000	LEVER SCREW CPL. 05	1
26	59413002150	% ROCKER CPL. FOR BRAKE LVR 07	1
27	61002043000	ADJUSTING SCREW CPL.	1
30	59413008000	REP. SET PISTON D=12MM 2007	1
31	59413009000	BRAKE FLUID RESERVOIR CPL.2007	1
34	59413009050	O-RING+SCREW+SLEEVE 07	1
35	59413020000	BLEEDER SCREW WITH CAP	1
80	00062030000	BRAKE FLUID DOT5.1 0,25L	x

087731310

C087731310

\* NEW PART

X ON DEMAND



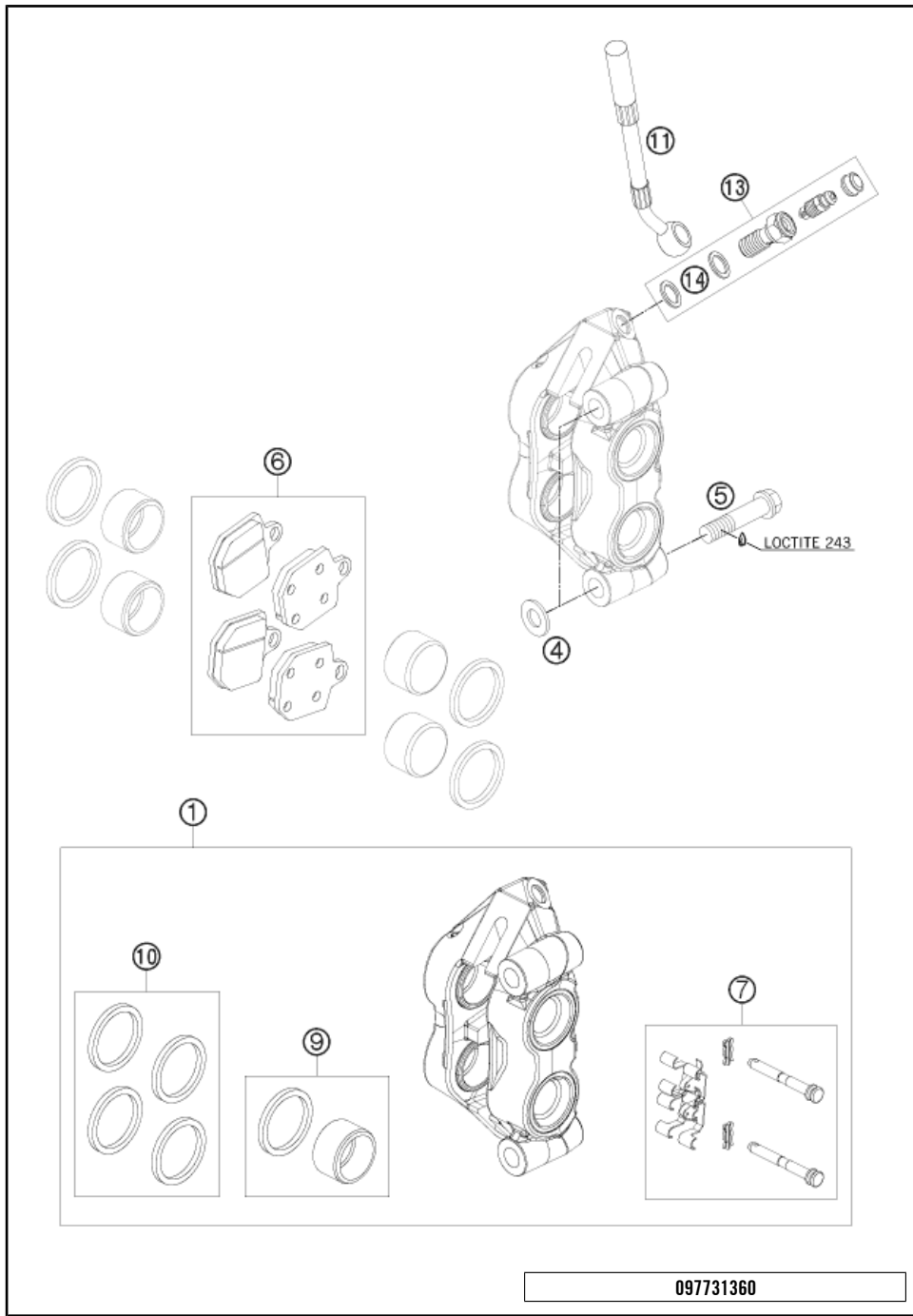
085031330

POS	PARTNUMBER	PARTNAME	PIECE
1	54813060100	%REAR BRAKE CYLINDER CPL. 2004	1
2	54813061200	REPAIR KIT PISTON 13MM 06	1
3	54813062100	REAR BRAKE CYL. COVER CPL. 04	1
4	54813063000	FOOT-BRAKE CYL. GASKET SX 03	1
5	54813020100	HOLLOW SCREW BLACK M10X1X19	1
7	54813070000	% BRAKE HOSE REAR 655MM 03	1
9	0603100141	COPPER GASKET DIN7603-10X14X1	2
10	78013050044	FOOT BRAKE LEVER CPL.	1
11	54813051000	STEP PLATE FOR BRAKE LEVER	1
12	0025050126	HH COLLAR SCREW M5X12 TX30	2
13	54603062000	% RETURN SPRING FOR BRAKELEVER	1
14	0025060206S	HH COLLAR SCREW M6X20 TX30	1
15	54813056000	PUSH ROD L=28MM 03	1
16	0985060003	SELF LOCK. NUT DIN0985-M 6	1
17	54813055000	SWIVEL HEAD KA6 03	1
18	0912100406	% AH SCREW DIN6912 M10X40 10.9	1
19	59001037000	SPECIAL SCREW M8X26 WS=10	1
20	46030045000	COLLAR NUT M8 WS=10	1
21	0625060002	BALL BEARING SKF 6000-2RS1	2
22	54630044000	COLLAR NUT M10 WS=13	1
35	0025060126	HH COLLAR SCREW M6X12 TX30	2
64	54813064200	BELLOWS FOR REPAIR KIT 06	1
80	00062030000	BRAKE FLUID DOT5.1 0,25L	1

C087801332

\* NEW PART

X ON DEMAND



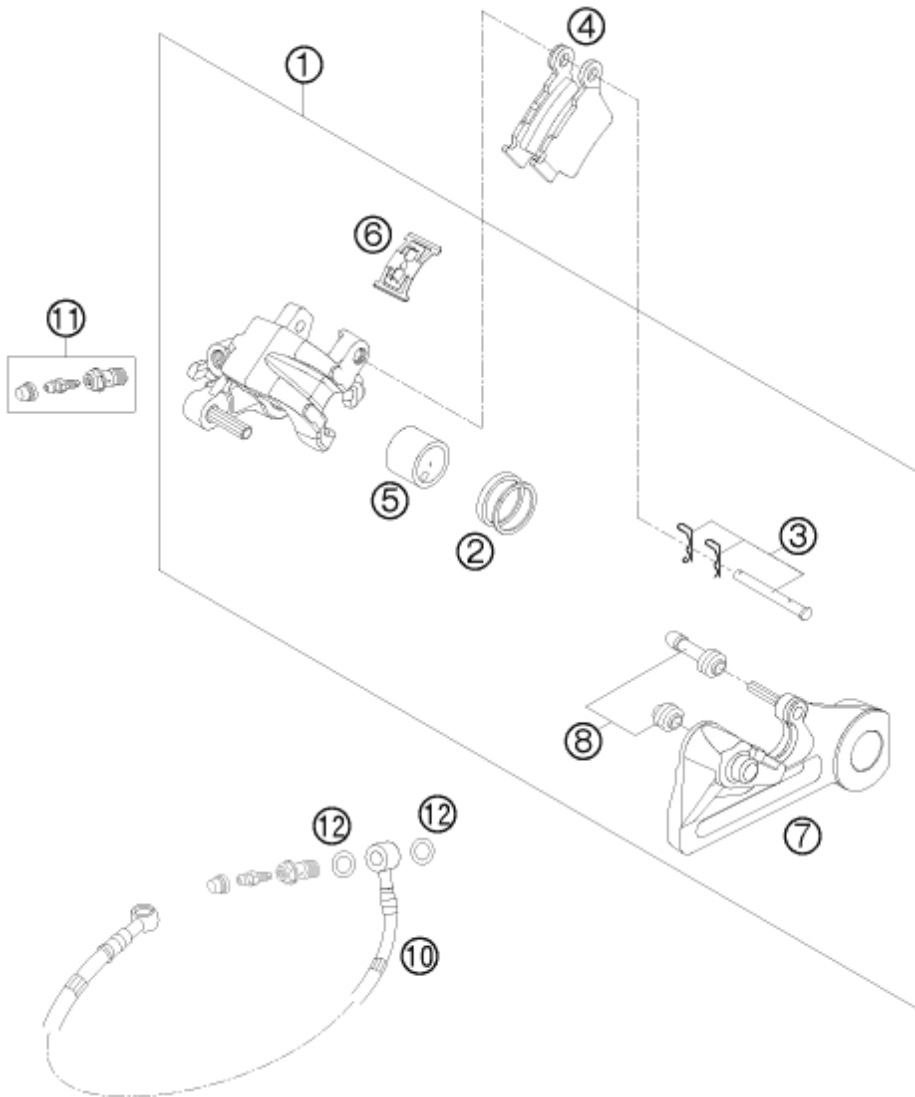
POS	PARTNUMBER	PARTNAME	PIECE
1*	59413015201	%BRAKE CAL. FR. - WITHOUT PADS	1
4	58413049000	WASHER 10,2X20X2,5 MM 04	2
5	0025100559	COLLAR SCREW M10X1,25X55 TX	2
6	81213030000	BRAKE PADS FRONT NSK105HH	1
7	59413018000	FIXING FOR BRAKE PAD 07	1
9	59413083000	PISTON WITH GASKET MAGURA 07	1
10	59413021000	SEAL RING KIT CPL. MAGURA 07	1
11	59413012000	BRAKEHOSE FRONT 1160MM 07	1
13	50332062000	HOLLOW SCREW CPL. M 10X1 '98	1
14	59413013050	COPPER GASKET	X

097731360

C107731361

\* NEW PART      X ON DEMAND





POS	PARTNUMBER	PARTNAME	PIECE
1	54813080101	BRAKE CAL. RE. - WITHOUT PADS	1
2	50313081200	REPAIR KIT SEALING RINGS 26MM	1
3	54813082000	BOLT SET FOR BRAKE CALIPER 03	1
4	54813090300	BRAKE PAD SET REAR TOYO	1
5	54813083000	% BRAKE PISTON 26MM 2003	1
6	54813018000	RETAINING SPRING SET 2003	1
7	54813075000	BRAKE CALIPER SUPPORT REAR	1
8	54613218000	CUP SET SHORT	1
10	54813070000	% BRAKE HOSE REAR 655MM 03	1
11	62513020000	BLEEDER SCREW CPL. 05	1
12	0603100141	COPPER GASKET DIN7603-10X14X1	2

095031390

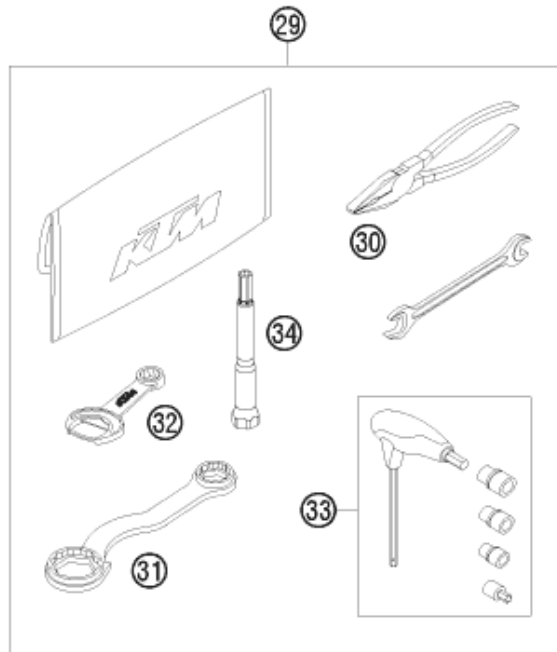
C107731390

\* NEW PART

X ON DEMAND

0  
OHNE ABBILDUNG  
WITHOUT ILLUSTRATION

1  
TECHNISCHE DOKUMENTATION  
TECHNICAL DOCUMENTATION  
DOCUMENTACION TECNICA  
DOCUMENTATION TECHNIQUE  
NOTE TECNICHE



POS	PARTNUMBER	PARTNAME	PIECE
0	312313	KTM BALLPOINT PEN ORANGE	1
0	3210039	* CUSTOMER WELCOME LETTER	1
0	312305	DOCUMENTS BAG 2006	1
0	5030314013390	FOOTPEG L.+R. CPL. 03	1
0	6000208010030	HAND GUARD L/S CPL.W.FAST. 04	1
0	6000208110030	HAND GUARD R/S CPL.W.FAST. 04	1
0	77303094100	PLASTIC FRAME PROTECTION SET	1
0	58511053000	BATTERY 12V 4AH YTX5L-BS	1
0	77311053000	BATTERY 12V 3AH YTX4L-BS	1
0	78011055000	BATTERY CASE EXC 08	1
0	59431096000	EXPANSION TANK CPL. 2004	1
0	77332036003	WASHER SMALL 5,5X12X1	1
0	77332036001	WASHER LARGE 13X18X1	1
1*	3CF8403JOEN	SPM CHASSIS 450 SMR 2010	1
1*	3CM089260JEN	SPC ENGINE 450 SMR 2010	1
1*	3211516EN	OWN.MANUAL 450 SMR 2010	1
29	77329099000	BORDTOOL 07	1
30	53012028200	GRIP ORANGE B&F	1
31	50329080100	WRENCH SW=17/21/27/32 B&F	1
32	50329071100	WRENCH WS=13 B&F + OPENER	1
33	60029070200	% T-WRENCH WS=6/8/10 TX=45 B&F	1
34	77329072000	SPARK PLUG WRENCH	1

087732000

C107732004

\* NEW PART

X ON DEMAND



WWW.KTM.COM

**KTM**

KTM Sportmotorcycle GmbH  
5230 Mattighofen, Austria  
[www.ktm.com](http://www.ktm.com)



**KTM**\_POWERPARTS

**KTM**\_POWERWEAR

**KTM**\_ORIGINAL SPARE PARTS



3CF 8403JOEN

Art. Nr.: 3CF 8403JOEN 10. Dez. 2014