


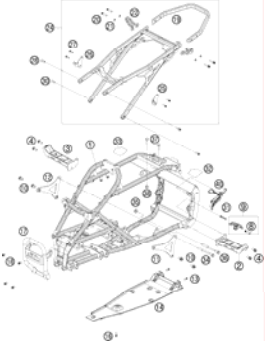
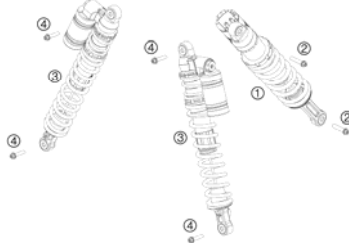
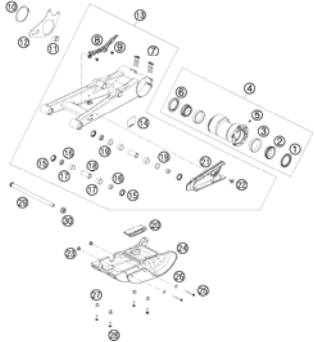
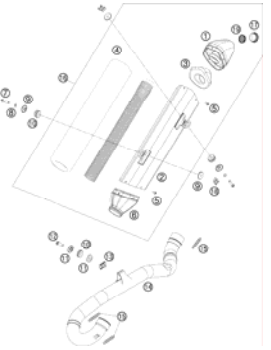
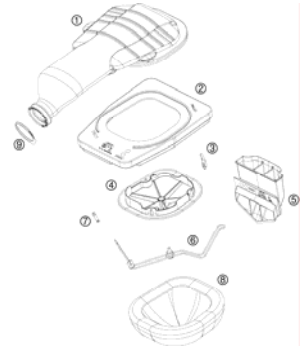
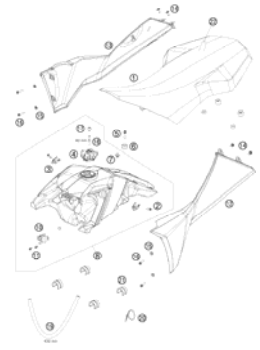
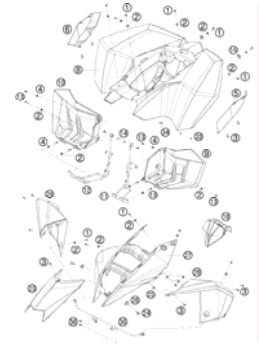
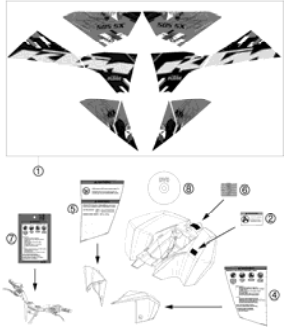
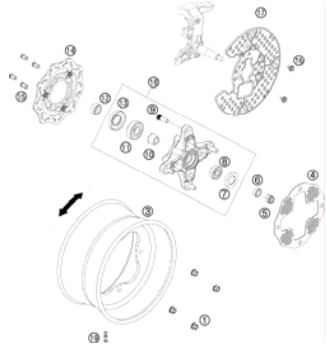
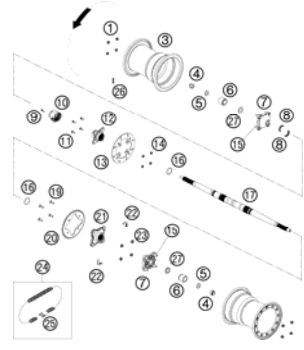

505 SX ATV 2009

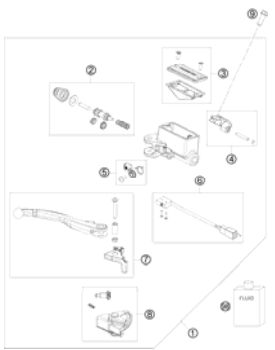
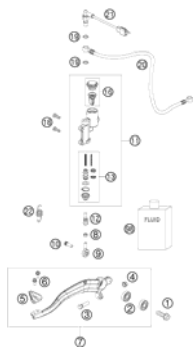
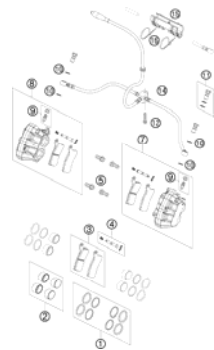
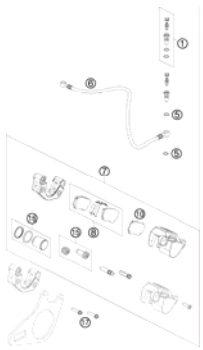
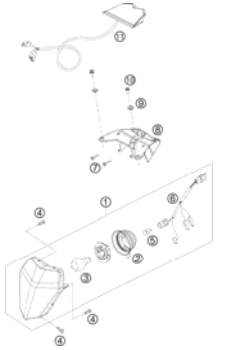
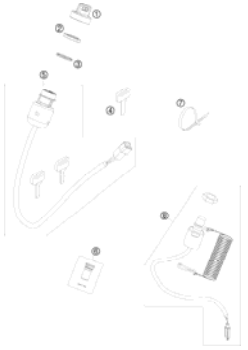
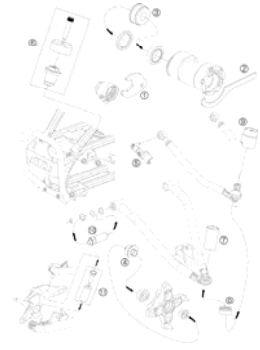
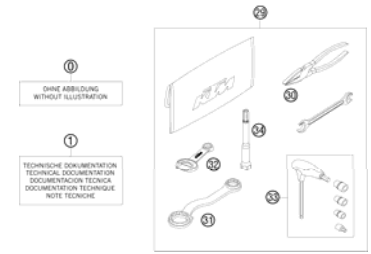
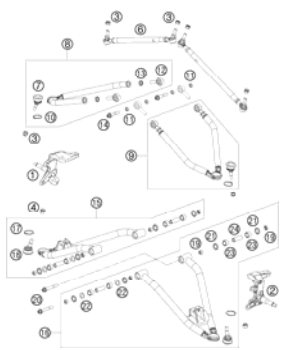
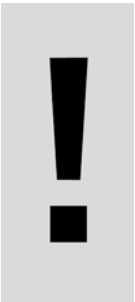
SPARE PARTS MANUAL: CHASSIS

ART.NO.: 3CF8500IQEN

ENGLISH



<p>HANDLEBAR, CONTROLS</p>  <p>3</p>	<p>FRAME</p>  <p>5</p>	<p>MONOSHOCK</p>  <p>6</p>	<p>SWING ARM</p>  <p>7</p>
<p>EXHAUST SYSTEM</p>  <p>8</p>	<p>AIR FILTER</p>  <p>9</p>	<p>TANK, SEAT, COVERS</p>  <p>10</p>	<p>MASK, FENDERS</p>  <p>11</p>
<p>DECAL</p>  <p>12</p>	<p>FRONT WHEEL</p>  <p>13</p>	<p>REAR WHEEL</p>  <p>14</p>	<p>WIRING HARNESS</p>  <p>15</p>

<p>HAND BRAKE CYLINDER</p>  <p>16</p>	<p>REAR BRAKE CONTROL</p>  <p>17</p>	<p>BRAKE CALIPER FRONT</p>  <p>18</p>	<p>BRAKE CALIPER REAR</p>  <p>19</p>
<p>LIGHTING SYSTEM</p>  <p>20</p>	<p>INSTRUMENTS/LOCK SYSTEM</p>  <p>21</p>	<p>SPECIAL TOOLS</p>  <p>22</p>	<p>ACCESSORIES KIT</p>  <p>23</p>
<p>FRONT SECTION</p>  <p>24</p>	<div style="display: flex; align-items: center;">  <p>All information contained is without obligation. KTM-Sportmotorcycle AG particularly reserves the right to modify any equipment, technical specifications, prices, colors, shapes, materials, services, service work, constructions, equipment and the like so as to adapt them to local conditions or to cancel any of the above items, all without previous announcement and without giving reasons. KTM may stop manufacturing certain models without previous notice. KTM shall not be held liable for any deviations of availability and/or ability to deliver, illustrations, descriptions, printing and/or other errors. The illustrated models partly contain extra equipment, which is not applied to standard models. © by KTM-SPORTMOTORCYCLE AG, Mattighofen AUSTRIA; All rights reserved; Reprint, also in extracts, with written allowance of KTM-SPORTMOTORCYCLE AG, Mattighofen only.</p> </div>		

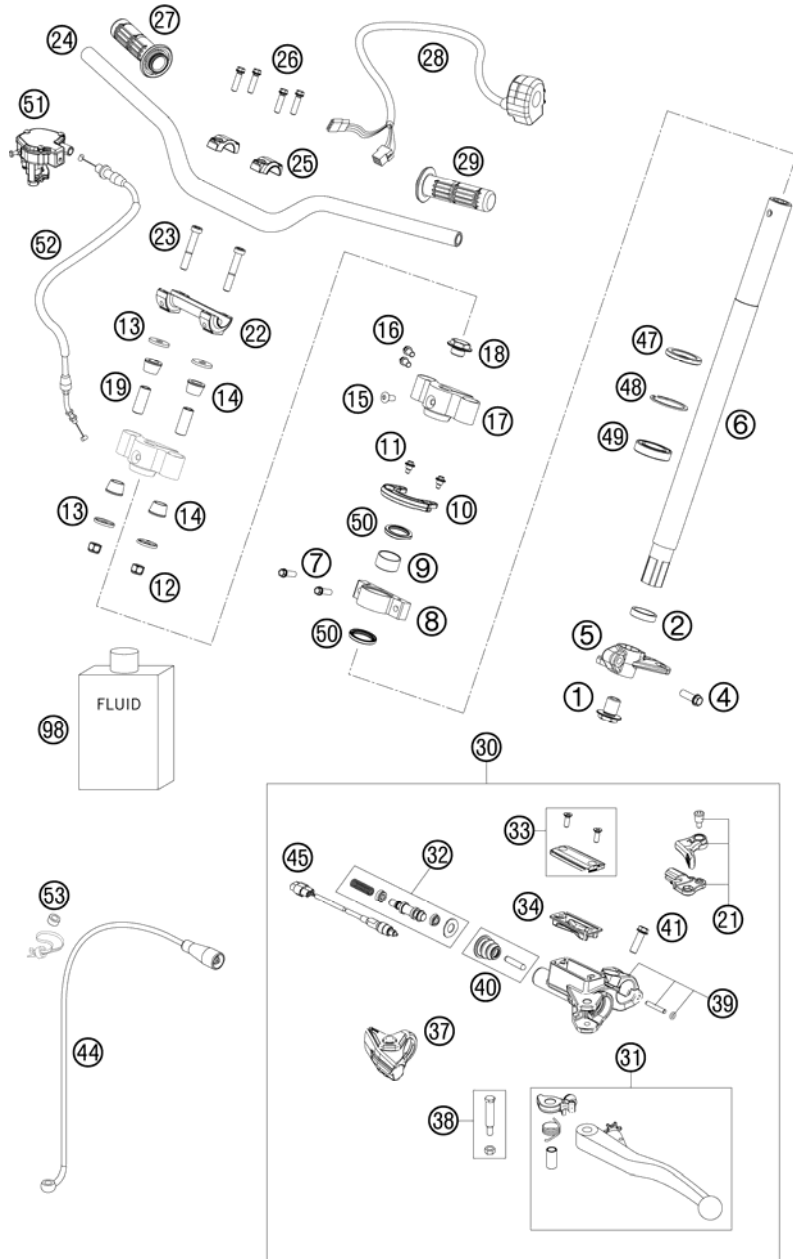


FIG	PART NUMBER	DESCRIPTION	QTY
1	83001033051	STEERING HEAD SCREW M20X1,5	1
2	83001033052	WASHER F. STEERING BEARING	1
4	0015100303	HH COLLAR SCREW M10X30 WS=13	1
5	83001033050	STEERING LEVER	1
6*	83501033000	STEERING COLUMN	1
7	0025080256	HH COLLAR SCREW M8X25 TX40	2
8*	83001035100	BEARING BLOCK STEERING COLUMN	1
9*	83001035150	SLIDE BEARING W.C. JSM-3539-20	1
10	83001069000	CABLE GUIDE	1
11	59001092050	SPECIAL SCREW M6X12,5 WS=8	2
12	0985100003	SELF LOCKING NUT DIN0985-M10	2
13	83001042000	BUCKET	4
14	83001040000	RUBBER BUSH	4
15	54610052000	SPROCKET SCREW-AH M8X20 WS=6	1
16*	0025080206	HH COLLAR SCREW M8X20 TX40	2
17	83001034008	HANDLE BAR BRIDGE 08	1
18	54801036000	STEER.HEAD SCREW M20X1,5 WS=27	1
19	83001041000	SPACER TUBE 10.2X16X39	2
21	59002047000	LEVER CPL. RACING 2000	1
22	59001039100	HANDLEBAR SUPPORT 28MM SC'99	1
23	0012100606	AH SCREW DIN6912-M10X60	2
24	83002001000	HANDLEBAR ATV 2008	1
25	59001038200	HANDLEBAR CLAMP D=28MM 2000	2
26	0025080306	HH COLLAR SCREW M8X30 TX40	4
27	83002021002	HANDLE BAR GRIP ATV R/S	1
28	83011070000	LEFT HANDLE SWITCH	1
29	83002021001	HANDLE BAR GRIP ATV L/S	1
30*	77302030000	MASTER CYLINDER CPL. 10,5MM 09	1
31*	50302031300	CLUTCH LEVER CPL. 2009	1
32*	77302032000	REP.KIT PISTON 10,5MM 09	1
33	50302033200	COVER HYDR. CLUTCH CPL. 09	1
34*	50302034100	RUBBER FOR RESERVOIR 09	1
37*	50302037100	MUD CAP 09	1
38*	50302038100	LEVER SCREW CPL. 09	1
39*	50302030250	CLAMP + PIN + O-RING 09	1
40*	50302046000	PUSH ROD CPL. 09	1

098300210 / C098300211

* NEW PART

X AS REQUIRED

HANDLEBAR, CONTROLS

505 SX ATV 2009

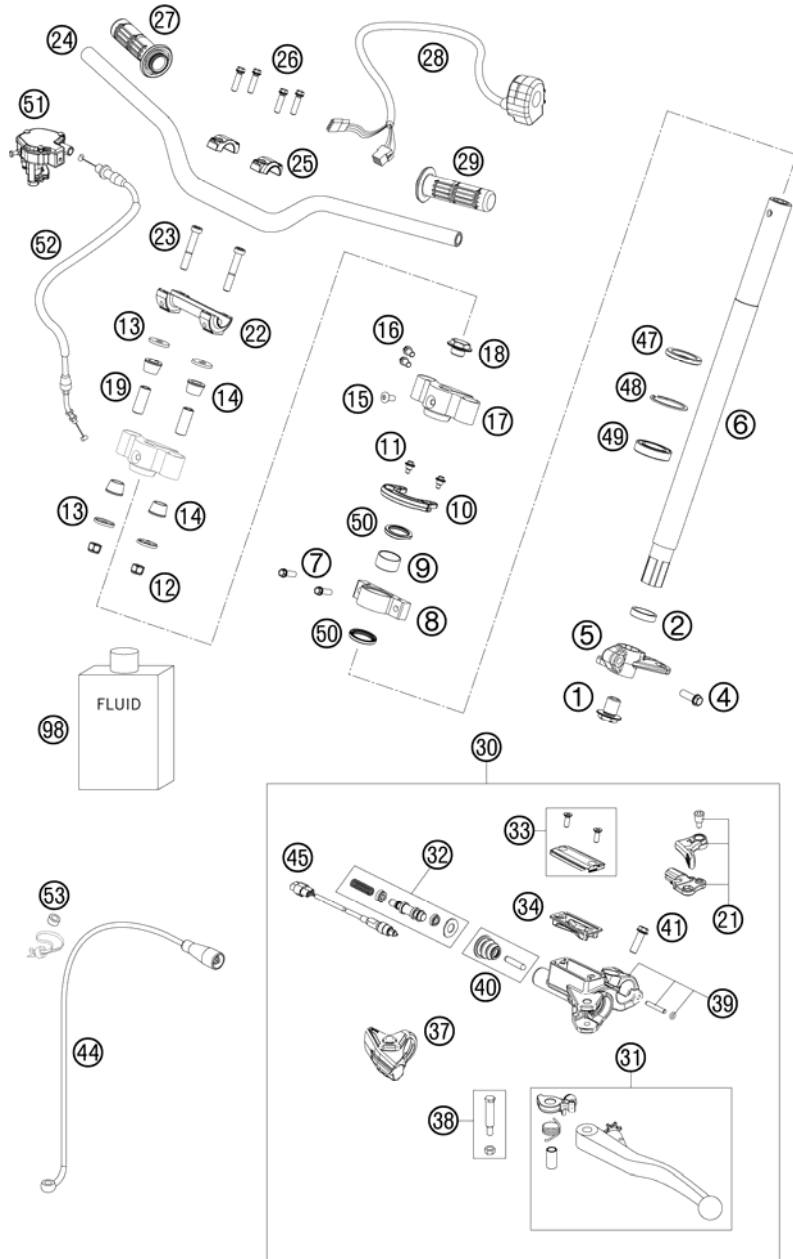


FIG	PART NUMBER	DESCRIPTION	QTY
41*	0025060166	HH COLLAR SCREW M6X16 TX30	1
44	83032063000	CLUTCH PIPE	1
45	58411049100	CLUTCH SWITCH 03	1
47	0760385570	SHAFT SEAL RING 38,5X55X7	1
48	0472055200	CIRCLIP DIN0472-55X2	1
49	0625060061	BALL BEARING 6006/32-2RS1	1
50*	83501035060	SHAFT SEAL RING 35x47x6 NBR902	2
51*	83002022100	THUMB THROTTLE	1
52	83002091000	THROTTLE CABLE ATV	1
53	50301089000	SPACER BUSHING 6X10X5	2
98	50302036200	OIL FOR HYD. CLUTCH 75ML	1

098300210 / C098300211

* NEW PART

X AS REQUIRED

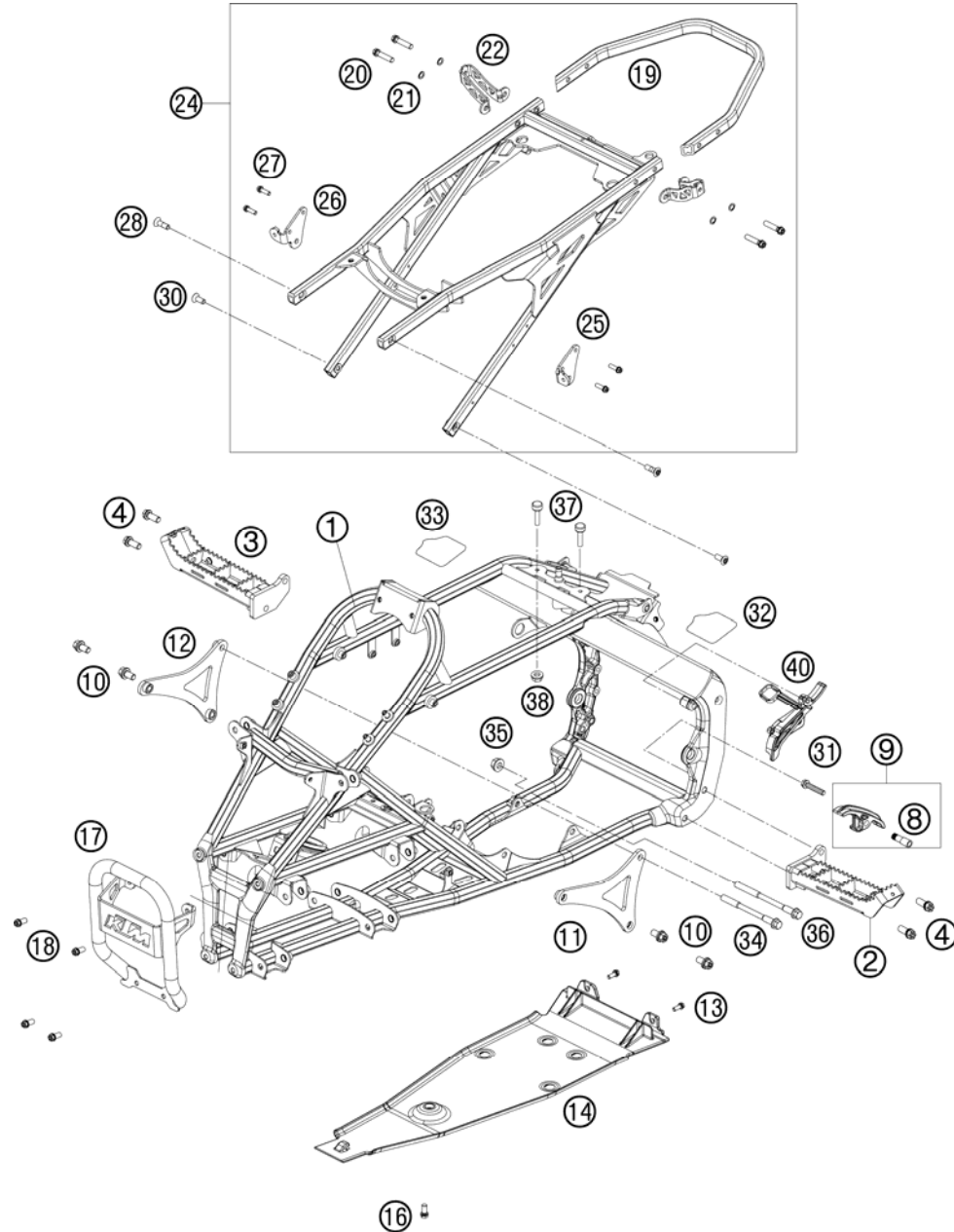


FIG	PART NUMBER	DESCRIPTION	QTY
1*	8350300100030	FRAME ATV-SX "NB09" 2009	1
2*	83003040200	FOOTREST CPL. L/S 2009	1
3*	83003041200	FOOTREST CPL. R/S 2009	1
4*	0035100249	AH-COLLAR SCREW M10X24 ISA45	4
8	77303053051	BUSH 8,2X10X22	1
9	83003053000	CHAIN SLIDING PIECE BELOW	1
10	0023100183	COLLAR SCREW M10X18 TX	4
11	83003013044	ENGINE SUPPORT L/S CPL.	1
12	83003113044	ENGINE SUPPORT R/S CPL.	1
13	0025060166	HH COLLAR SCREW M6X16 TX30	2
14	83003090000	FRAME PROTECTION BELOW	1
16	0025080206	HH COLLAR SCREW M8X20 TX40	1
17	8300300300030	FRONT BUMPER BLACK	1
18	0025080166	HH COLLAR SCREW M8X16 TX40	4
19	83003002010	SUB FRAME-BRACKET 07	1
20	0025080356S	HH COLLAR SCREW M8X35 TX40	4
21	36003014000	LOCK WASHER 8MM	4
22	83003002030	FENDER MOUNTING	2
24	83003002044	SUB FRAME CPL. 08	1
25	83003002040	HEELGUARD FIXING L/S	1
26	83003002041	HEELGUARD FIXING R/S	1
27	0025060206	HH COLLAR SCREW M6X20 TX30	4
28	0019080266S	COUNTER-SUNK SCREW ISA45 M8X26	2
30	0019080206S	FLAT HEAD SCREW M. ISA45 M8X20	2
31	0025080456	HH COLLAR SCREW M8X45 TX40	1
32	83003099000	PROTECT.FILM F. FRAME L/S 2008	1
33	83003099100	PROTECT.FILM F. FRAME R/S 2008	1
34	59003013000	ENGINEBRAC.SCREW M10X123 WS=13	1
35	54310086100	SELF LOCKING NUT M10 CU WS=14	1
36*	83503014000	ENGINE BRAC.SCREW M10X146 10.9	1
37*	83503034000	PARABOLIC BUMPER TANK BRACKET	2
38*	0926060000	STOP NUT M6 DIN6926 A2-70	2
40*	83503096000	CHAIN GUARD ATV SX	1

098300311 / C098300311

* NEW PART

X AS REQUIRED

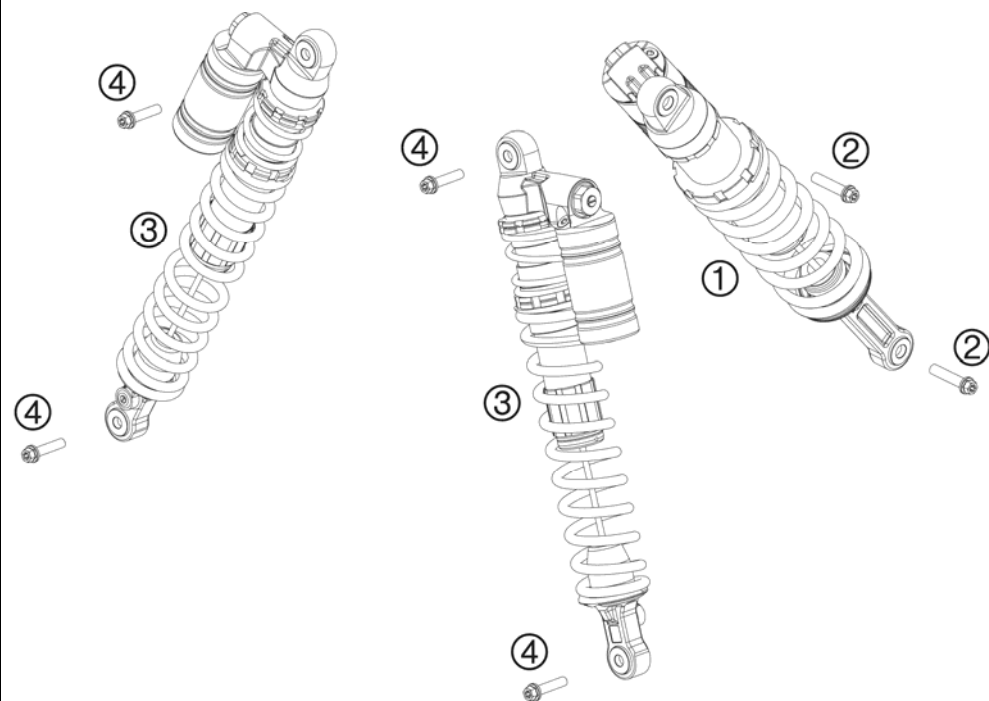


FIG	PART NUMBER	DESCRIPTION	QTY
1*	15187E16	MONOSHOCK REAR SX 2009	1
2	0015120556S	HH COLLAR M12X55 WS=13 06	2
3*	03187E16	MONOSHOCK FR. L/S + R/S SX 09	2
4	0023100453	COLLAR SCREW M10X45 TX	4

088300410 / C098300411

* NEW PART

X AS REQUIRED

SWING ARM

505 SX ATV 2009

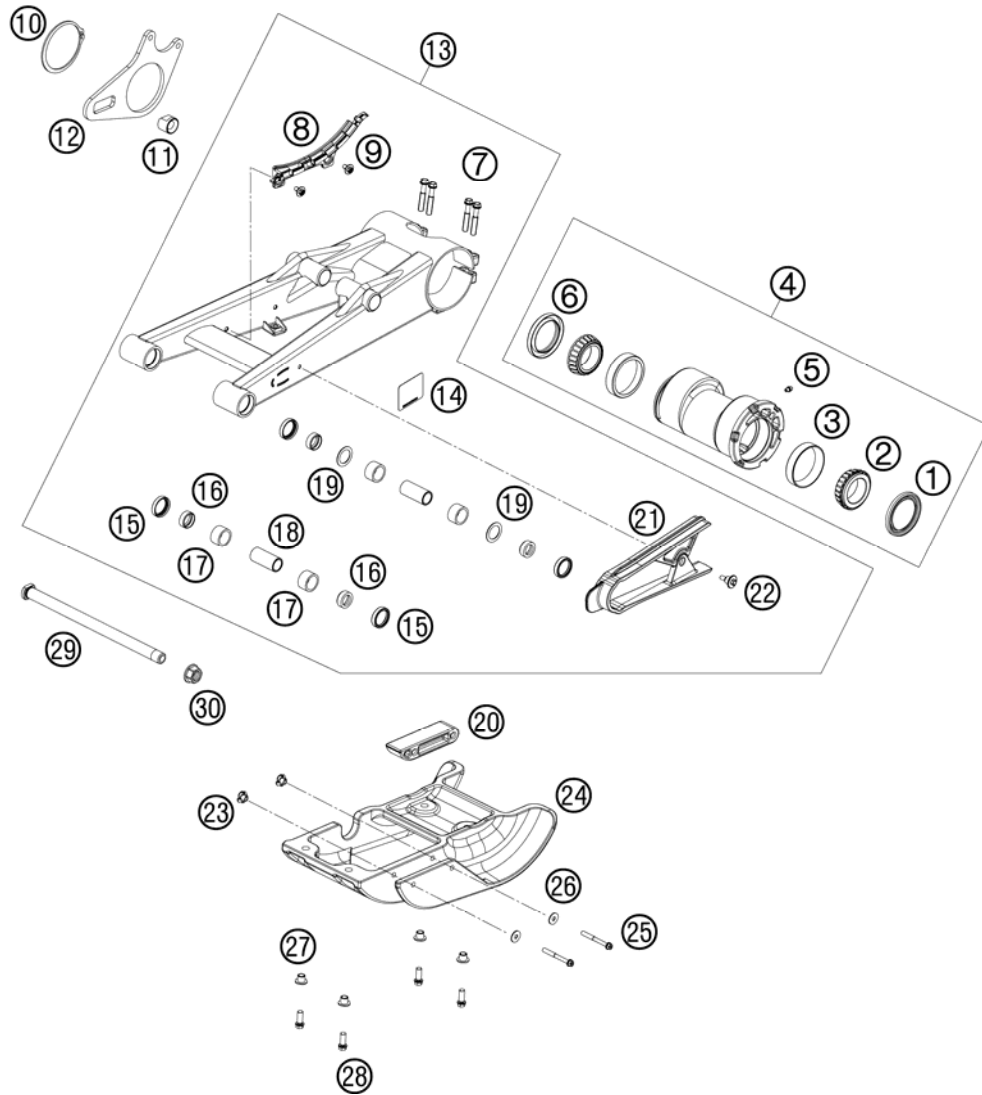


FIG	PART NUMBER	DESCRIPTION	QTY
1	83010040053	SHAFT SEAL RING 2"X2,75"X0,25"	1
2	83010040051	INNER RING 32008	2
3	83010040050	OUTER RING 32008	2
4	83010040033	REAR WHEEL EXCENTRIC CPL.	1
5	72003035000	GREASE FITTING M6 STRAIGHT	1
6	83010040052	SHAFT SEAL RING 2"X2,75"X0,313	1
7	0025080456	HH COLLAR SCREW M8X45 TX40	4
8*	5461107610030	RET. CLAMP F. BRAKE HOSE BLACK	2
9	0009050103	SPECIAL SCREW M 5,0X10	2
10	0471780250	CIRCLIP DIN 471 78X2,5	1
11	83013052000	BRAKE THRUST BEARING	1
12	83013046100	BRAKE CALIPER SUPPORT PLATE	1
13*	83504030044	SWING ARM CPL. 2008	1
14	83004030090	STICKER FOR CHAIN TENSION	1
15	0760253270	SHAFT SEAL RING 25X32X7	4
16	54804034000	BUCKET F. SHAFT SEAL RING 03	4
17	58033097000	NEEDLE BEARING HK 2216	4
18	54804032000	BUSHING SLEEVE F. SWING ARM 03	2
19	54603036000	STOP DISK 22,2X31,7X1	2
20	83004070000	CHAIN GUIDE	1
21	83004066000	CHAIN SLIDING GUARD	1
22	60035001000	SPECIAL SCREW M6X21 WS=8	1
23	83004046060	DRIVE-IN NUT FOR GUARD	2
24	83004046000	ASM-GUARD	1
25	0025060556	HH COLLAR SCREW M6X55 TX30	2
26	0021060003	WASHER DIN9021-A 6,4	2
27	83004046050	BUSHING F. SWINGPROTECTION	4
28	0025080206	HH COLLAR SCREW M8X20 TX40	4
29	83004037000	SWING ARM BOLT	1
30	54804038000	SELF LOCK.NUT M16X1,5 WS=19 03	1

098300491 / C098300491

* NEW PART

X AS REQUIRED

EXHAUST SYSTEM

505 SX ATV 2009

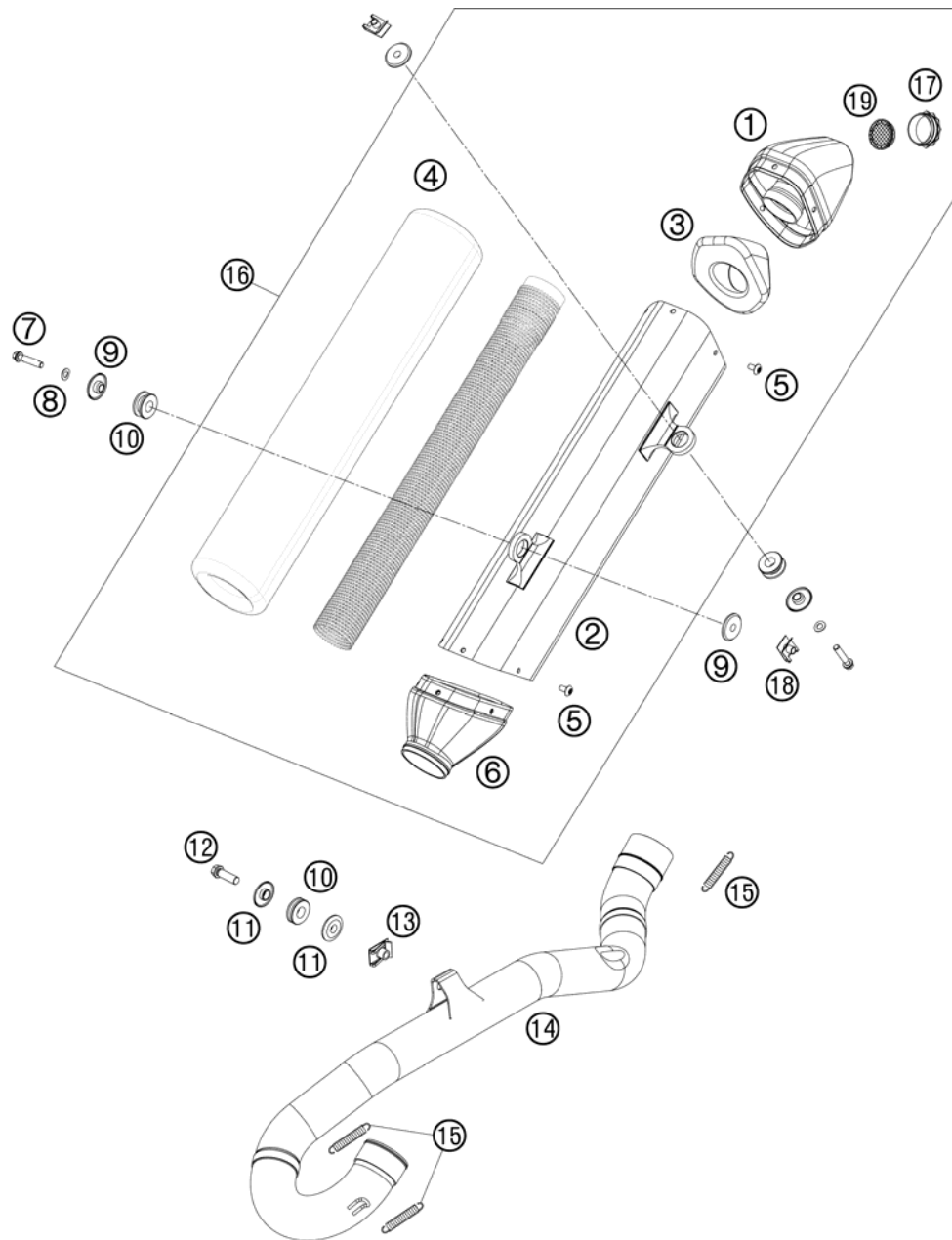


FIG	PART NUMBER	DESCRIPTION	QTY
1*	83505079060	ENDCAP THROTT.+SPARKY ATV '09	1
2*	83505079056	SILENCER HOUSING SX ATV	1
3*	77005078065	STUFFING YARN 65 GRAM	1
4*	77005078495	STUFFING YARN 495 GRAM	1
5	58605083010	SCREW TORX M5X10 05	10
6*	83505079050	SIL. CONNECT. CAP CPL. ATV	1
7	0025060306	HH COLLAR SCREW M6X30 TX30	2
8	0137060003	SPRING WASHER DIN0137-B 6	2
9	54605069000	BUSHING 7,5X12X28X7,8 '96	4
10	54605068000	EXHAUST BRACKET RUBBER BLACK	3
11	59405069000	BUSHING FOR EXHAUST SUPPORT 03	2
12	0025080256	HH COLLAR SCREW M8X25 TX40	1
13	54603048000	RANGE CHANGE METAL NUT M8	1
14*	83505007000	EXHAUST MANIFOLD R/S CPL.	1
15*	54309036000	RETURN SPRING L=38 MM	3
16*	83505079000	SILENCER CPL. R/S ATV SX 2009	1
17	77005081055	SIL. ELEMENT EXC-F 07	1
18	54603048100	RANGE CHANGE METAL NUT M6	2
19	77005081065	THROTTLE ELEMENT CPL. EXC 07	1

098300511 / C098300511

* NEW PART

X AS REQUIRED

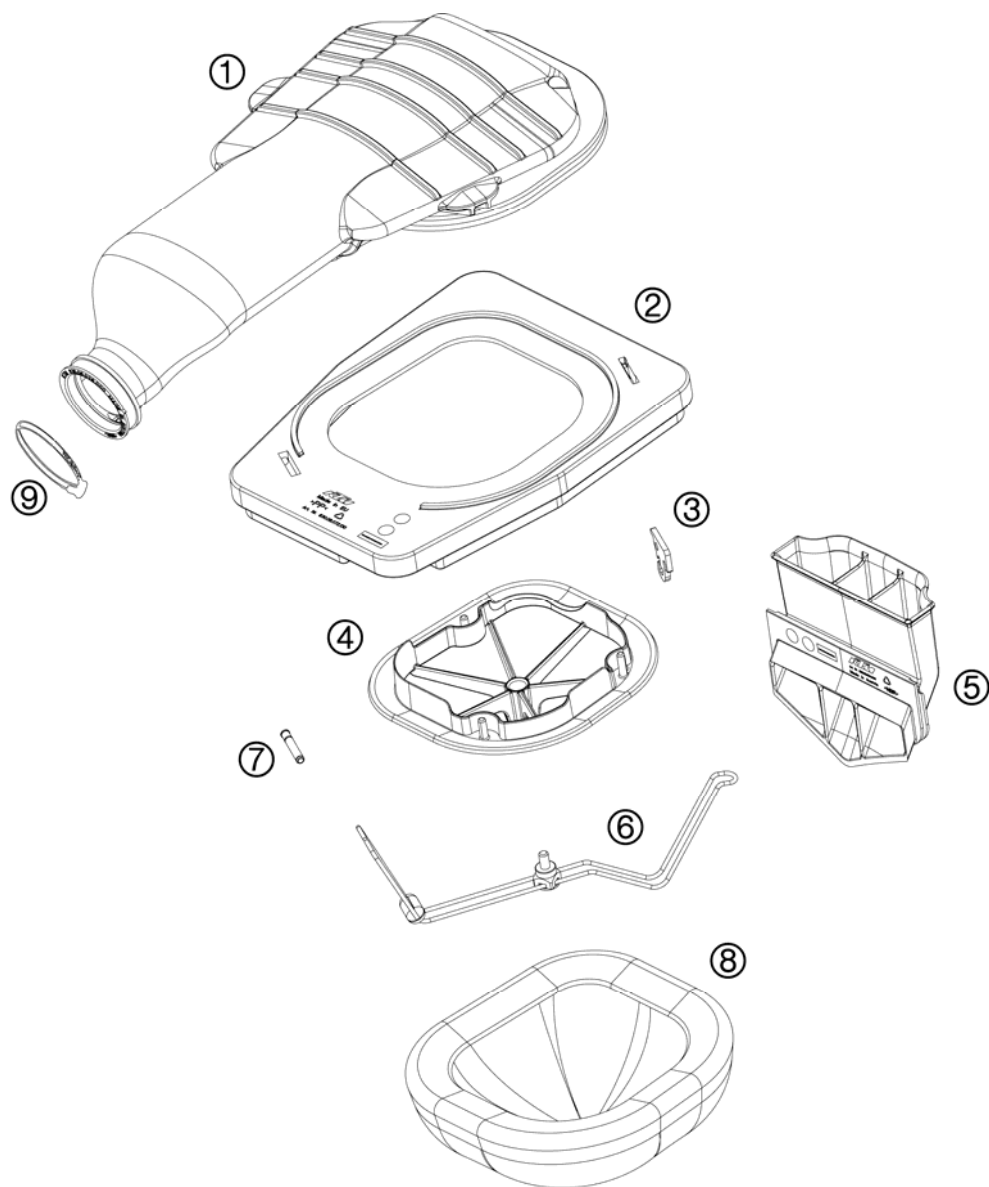


FIG	PART NUMBER	DESCRIPTION	QTY
1*	83506026000	CARBURETOR CON. BOOT SX 2009	1
2*	83008072130	AIR FILTER BOX COVER	1
3	77306019000	FASTEN. DEVICE FILTER S. SX 07	1
4	77306016000	FILTER CARRIER 4S SX 07	1
5	83006024000	INTAKE MANIFOLD	1
6	83006017000	AIR FILTER SUPPORT BRACKET CPL	1
7	77306018000	FILTER SUPPORT BUSH 07	1
8	77306015000	AIR FILTER 07	1
9	51006027000	HOSE CLAMP 50-70MM	1

098300611 / C098300611

* NEW PART

X AS REQUIRED

TANK, SEAT, COVERS

505 SX ATV 2009

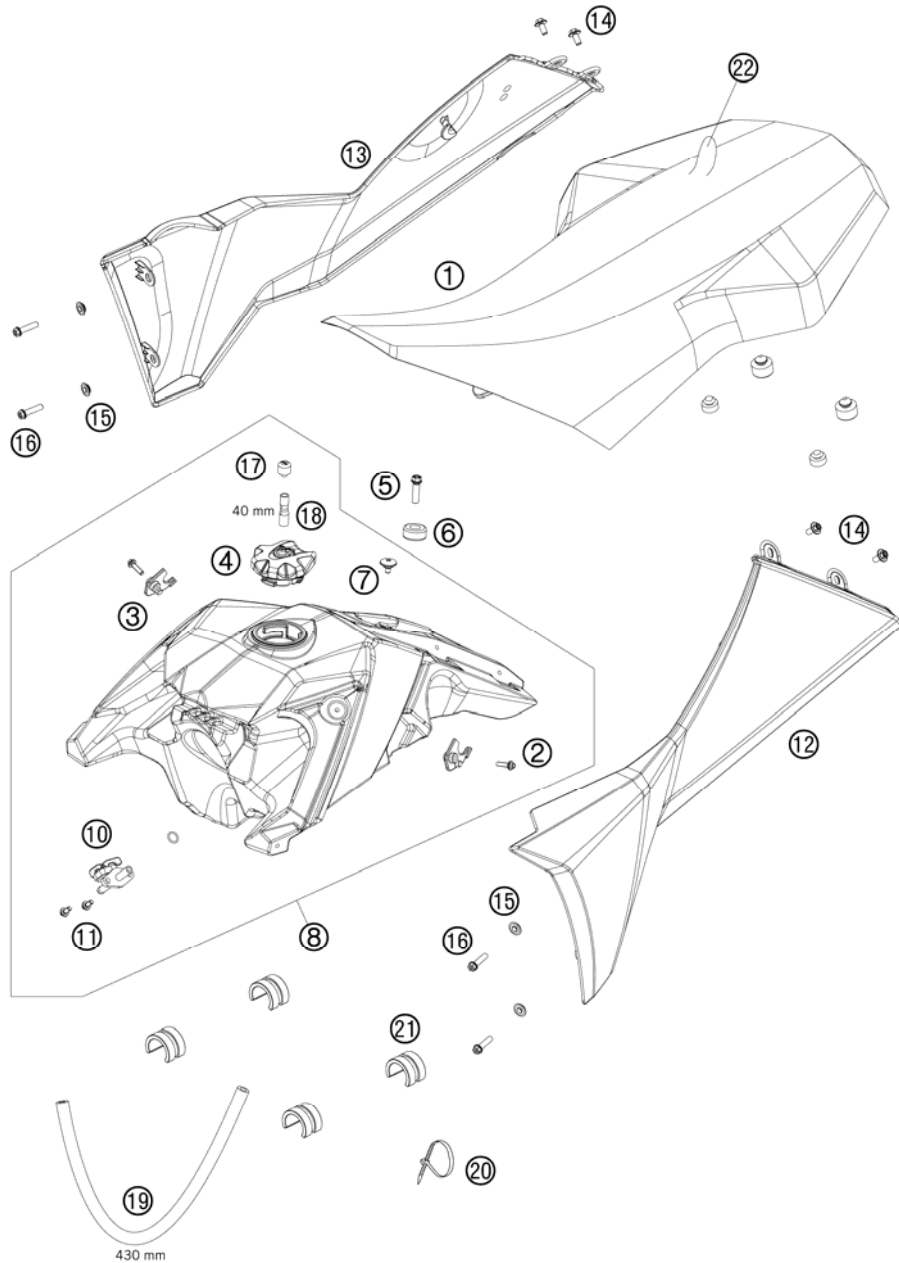


FIG	PART NUMBER	DESCRIPTION	QTY
1*	83507040000	SEAT SX-F ATV 2009	1
2*	0024050206	HH COLLAR SCREW M5X20 TX 30	2
3	83007013050	SPOILER BRACKET	2
4	78007008044	TANK PLUG CPL. EXC 08	1
5	0025060166	HH COLLAR SCREW M6X16 TX30	1
6	50307014000	TANK ROLLER 12X26X12 '98	1
7	58407011100	SCREW FOR SEAT M6X11,5/8	1
8*	8350701303330	FUEL TANK CPL.	1
10*	50307005000	GAS COCK MIKUNI ON/OFF 2001	1
11	0014050123	HH COLLAR SCREW M 5X12 WS=6	2
12	8300805000030	RADIATOR SPOILER L/S BLACK	1
13	8300805100030	RADIATOR SPOILER R/S BLACK	1
14	0024060106	HH COLLAR SCREW M6X10 TX30	4
15	50308053000	BUSH FOR SPOILER 6X11X16X7,5	4
16	0025060206	HH COLLAR SCREW M6X20 TX30	4
17	83007030000	BLEEDING STUBBLE	1
18	58307016001	FUEL HOSE VITON 6X1,5 PER/M	x
19	83007016000	FUEL HOSE	1
20	44011076200	CABLE TIE 200/3,6MM BLACK	x
21	61007014000	SPACER FUEL TANK 05	4
22*	83507040050	SEAT COVER 09	1

098300711 / C098300711

* NEW PART

X AS REQUIRED

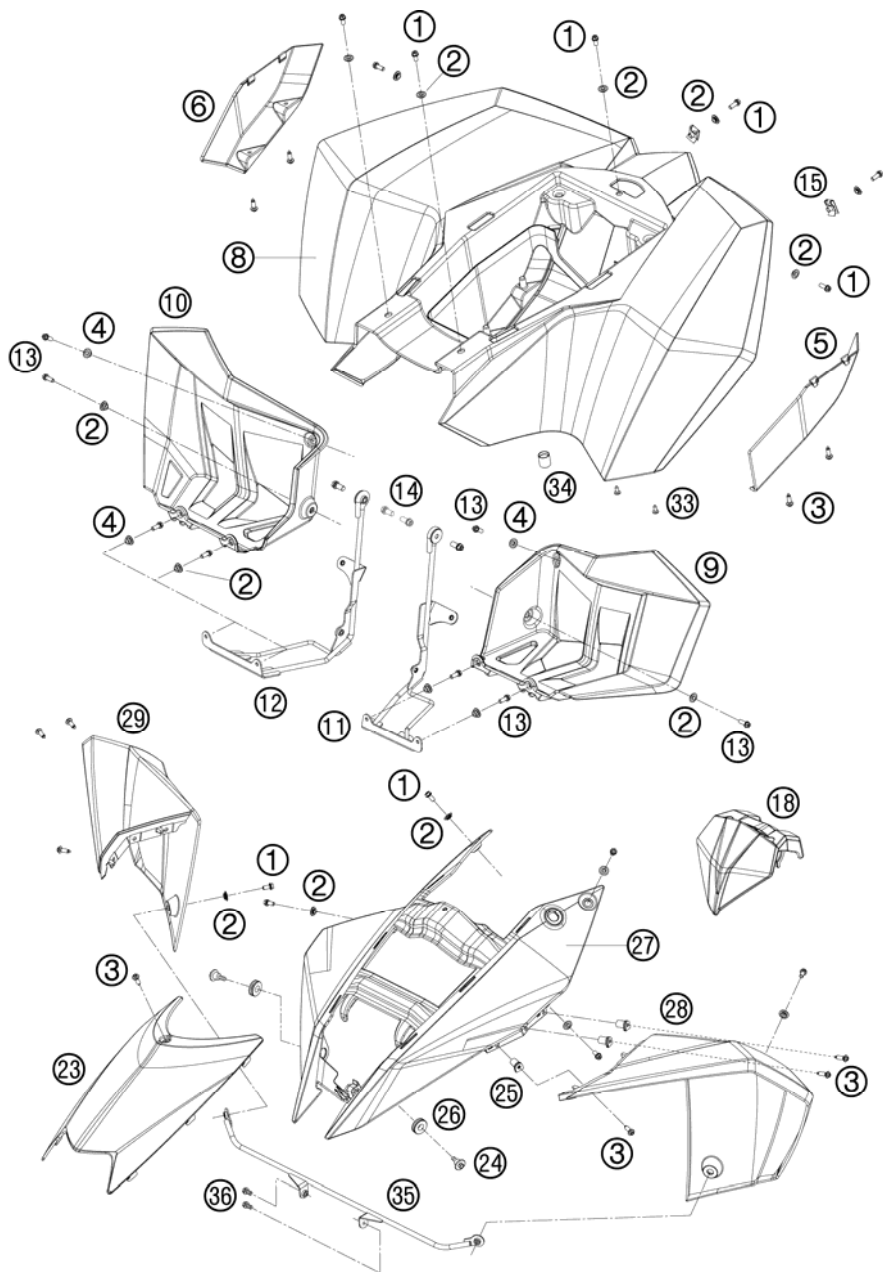


FIG	PART NUMBER	DESCRIPTION	QTY
1	0025060126	HH COLLAR SCREW M6X12 TX30	13
2	50308052000	BUSH FOR SPOILER 6X11X16X5 MM	15
3	0017060203	EJOT PT SCREW K60X20 WS=6	11
4	50308053000	BUSH FOR SPOILER 6X11X16X7,5	6
5	8300807201004	AIR INTAKE L/S ORANGE	1
6	8300807202004	AIR INTAKE R/S ORANGE	1
8*	8300807214404	REAR FENDER+AIR INTAKE ORANGE	1
9	8300805500030	HEEL GUARD L/S BLACK	1
10	8300805600030	HEEL GUARD R/S BLACK	1
11*	83008057100	HEELGUARD FIXING L/S	1
12*	83008058100	HEELGUARD FIXING R/S	1
13	0025060166	HH COLLAR SCREW M6X16 TX30	8
14	0025080166	HH COLLAR SCREW M8X16 TX40	2
15	54603048100	RANGE CHANGE METAL NUT M6	2
18	83014070000	INSTRUMENTS BRACKET	1
23*	8350800200030	FRONT-COVER SX	1
24	60035001000	SPECIAL SCREW M6X21 WS=8	2
25	83008010060	CLIP NUT EASY BOSS 60X2X7	6
26	41001052000	RUBBER SLEEVE D=12MM	2
27	8300800100104	FRONT PLASTICPART ORANGE	1
28	8300801000004	FRONT FENDER L/S ORANGE	1
29	8300801100004	FRONT FENDER R/S ORANGE	1
33	0016050121	SCREW FOR PLASTIC 50X12	2
34	83006005000	AIR FILTER BOX COVER	1
35	83008010050	FENDER-FRAME CONNECTION	1
36	0025060106	HH COLLAR SCREW M6X10 TX30	2

088300810 / C098300811

* NEW PART

X AS REQUIRED

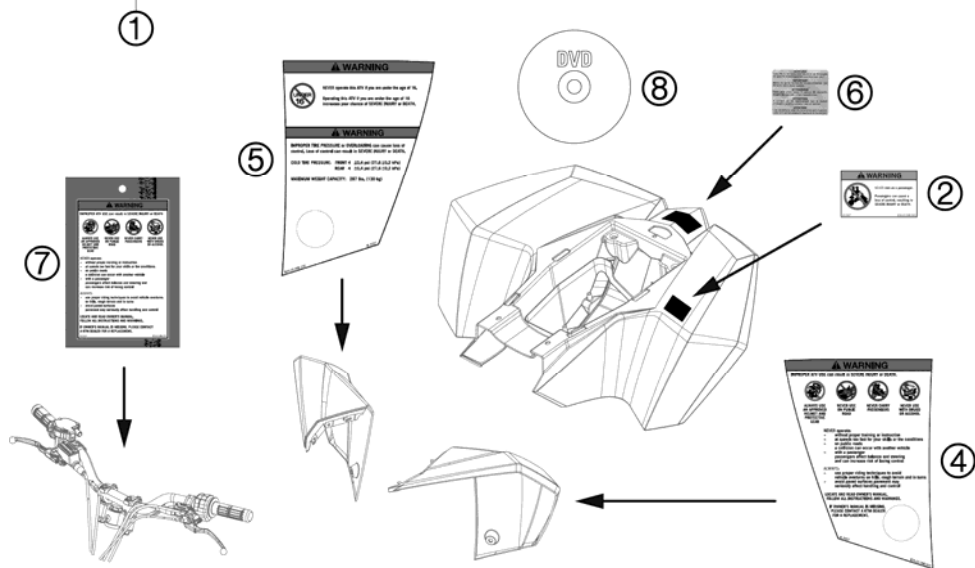


FIG	PART NUMBER	DESCRIPTION	QTY
1*	83608099000	DECAL SET 505 ATV SX 2009	1
2	83003098300	STICKER "WARNING LABEL 4"	1
4*	83503098000	STICKER "WARNING LABEL 1"	1
5*	83503098100	STICKER "WARNING LABEL 2"	1
6	50307098000	STICKER "OWNERS MANUAL"	1
7*	83503098400	SAFETY PLAQUETTE	1
8	3212081	ATV SAFETY TRAINING DVD	1

098300832 / C098300832

* NEW PART

X AS REQUIRED

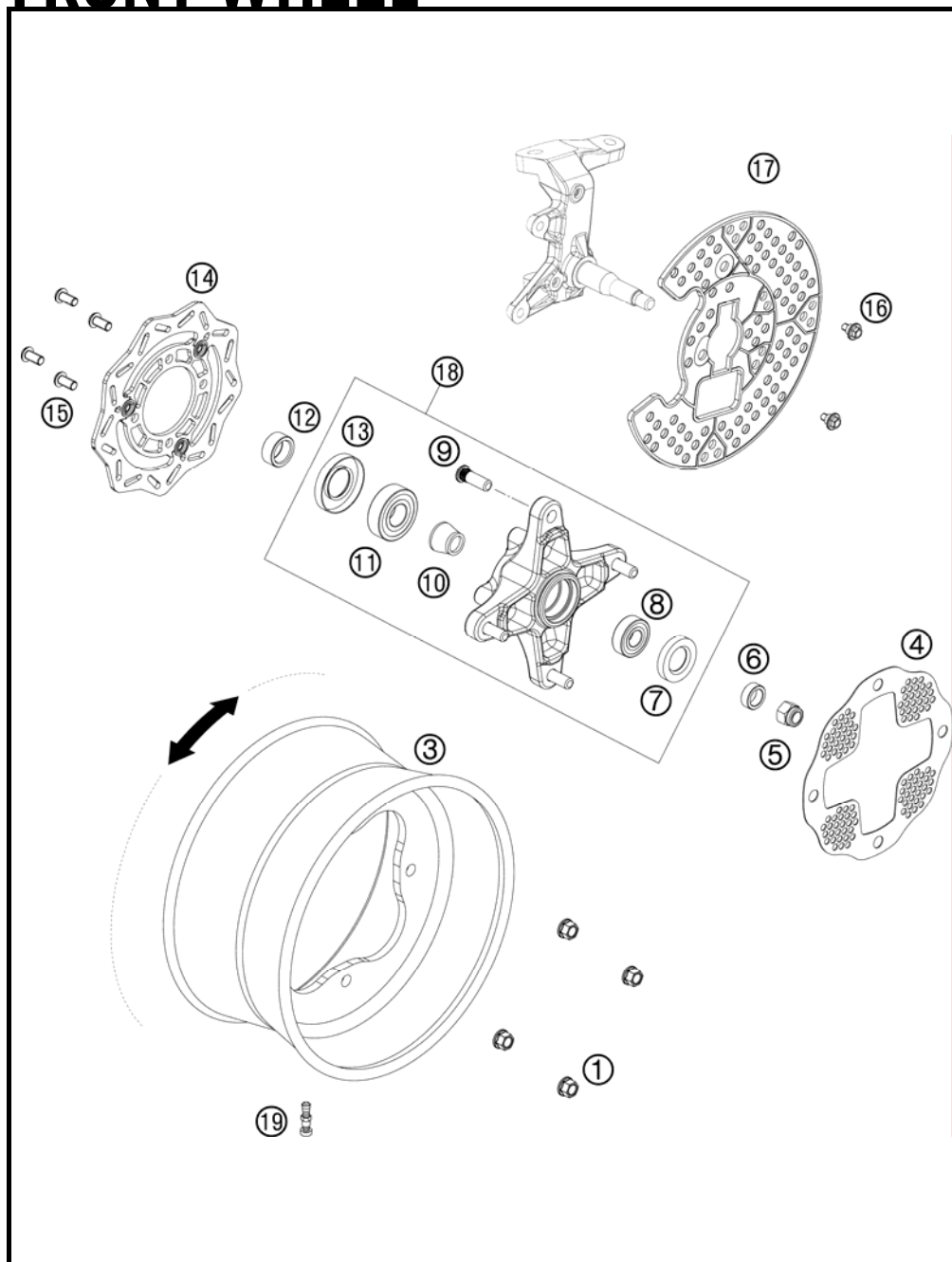


FIG	PART NUMBER	DESCRIPTION	QTY
1	58414030000	HH COLLAR NUT M10X1,25 WS=13	8
3	83009070000	RIM FRONT 10X5-5	2
4	83009066000	OUTER BRAKE DISK PROTECTOR	2
5	0985120003	SELF LOCKING NUT DIN0985-M12	2
6	83009013000	SPACER BUSHING	2
7	0760224070	SHAFT SEAL RING BSL 22X40X7NBR	2
8	0625062028	BALL BEARING 6202-2RSH/C3	2
9*	83009016000	WHEELBOLT	4
10	83009014000	BEARING SPACER BUSHING	2
11	0625062047	BALL BEARING 6204-2RSH/C3	2
12	83009015000	SPACER BUSHING	2
13	0760285270	SHAFT SEAL RING BSL 28X52X7NBR	2
14	83009060000	BRAKE DISK	2
15	0738080166S	FLAT HEAD SCREW ISO7380 M8X16	8
16	59001092050	SPECIAL SCREW M6X12,5 WS=8	4
17	83009065000	BRAKE DISK PROTECTOR	2
18	83009010044	FRONT WHEEL HUB CPL. SP 2008	2
19	83009076000	VALVE	2

098300911 / C098300911

* NEW PART

X AS REQUIRED

REAR WHEEL

505 SX ATV 2009

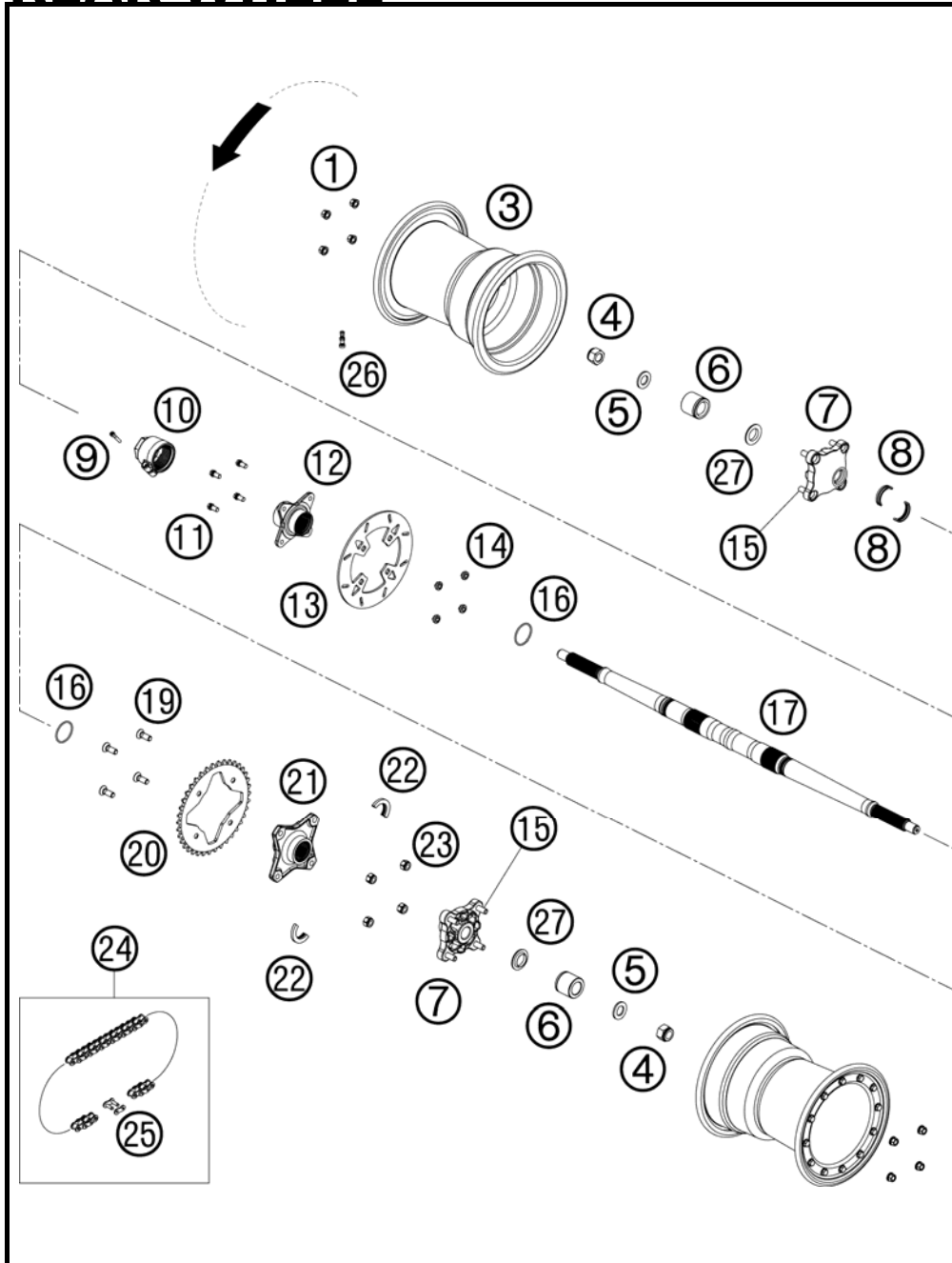


FIG	PART NUMBER	DESCRIPTION	QTY
1	58414030000	HH COLLAR NUT M10X1,25 WS=13	8
3*	83510070000	RIM REAR SX 09	2
4	0985181503	SELF LOCK.NUT DIN0985-M18X1,5	2
5*	83010021000	TENSIONER RAIL DIN6796 D=19	2
6	83010013000	SPACER BUSHING	2
7	83010069044	REAR WHEEL HUB CPL.	2
8*	83510063000	CIRCLIP REAR AXLE	2
9	0912060303	AH SCREW DIN0912-M 6X30	1
10	83010064000	TENSION NUT	1
11	0025080166S	HH COLLAR SCREW M8X16 TX40	4
12	83010062000	BRAKE DISK SUPPORT 08	1
13	83010060000	BRAKE DISK REAR D=200 MM	1
14	83010060050	SPECIAL NUT BRAKE DISK FIXING	4
15*	83009016000	WHEELBOLT	4
16	0770039026	O-RING 39,34X2,62 NBR 70 SH	2
17*	83510016000	REAR AXLE SX	1
19	60003004027	FL.HEAD SCREW M10X1,25 L=27 03	4
20	83010051038	SPROCKET 38T	x
21	83010050000	SPROCKET SUPPORT 08	1
22*	83510063100	CIRCLIP REAR AXLE SPROCKET	2
23	0982101253	SELF LOCK.NUT M10X1,25	4
24*	50310600118	CHAIN 520MX 118R	1
25*	50310466000	CONNECTING LINK F. 50310466000	1
26	83009076000	VALVE	2
27	83010014000	CONUSRING REAR AXLE	2

098301011 / C098301011

* NEW PART

X AS REQUIRED

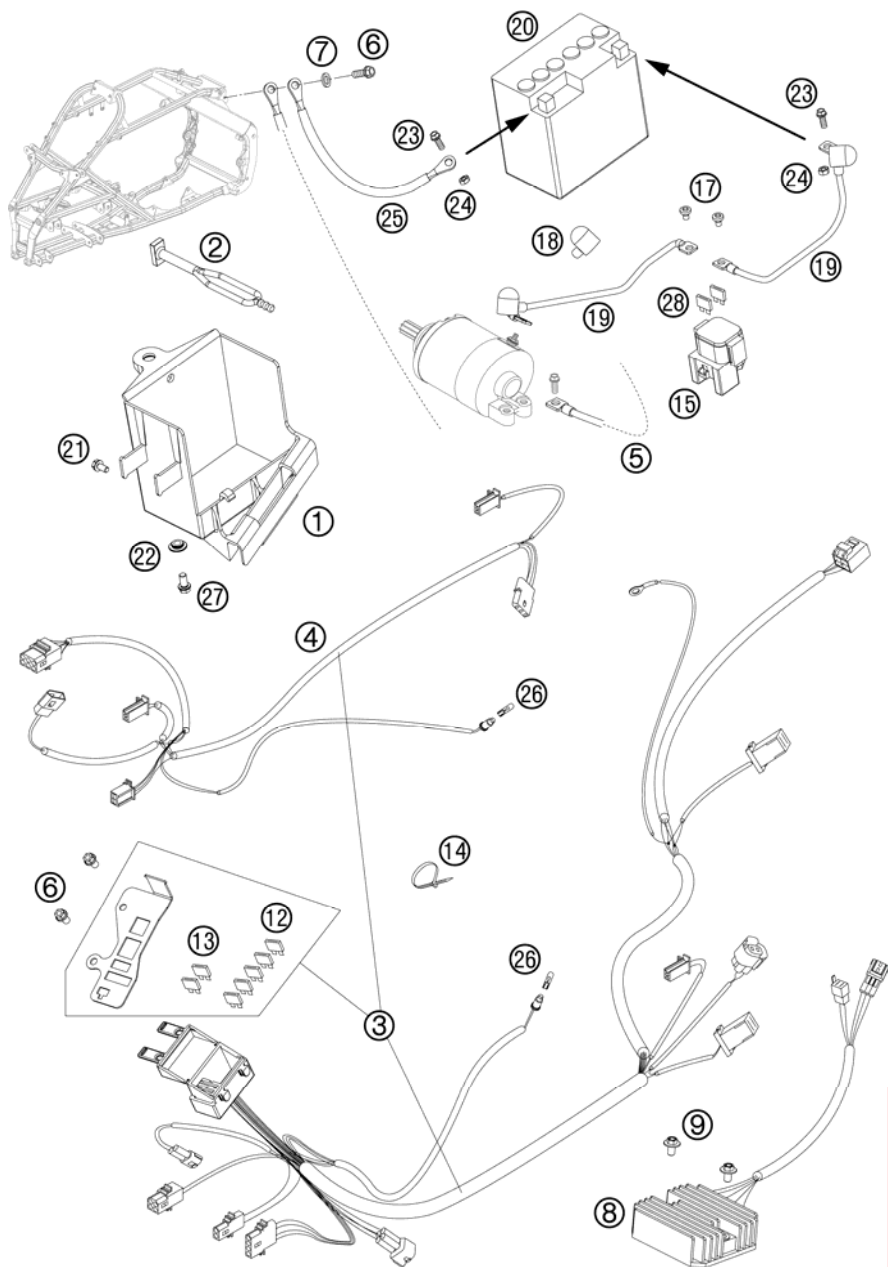


FIG	PART NUMBER	DESCRIPTION	QTY
1	83011055000	BATTERY BOX	1
2	50303018000	RUBBER L=145MM	1
3*	83511075050	WIRING HARNESS ATV SX 2009	1
4	83011079000	LIGHTING WIRING HARNESS 08	1
5	83011097100	GROUND CABLE 2	1
6	0025060166	HH COLLAR SCREW M6X16 TX30	3
7	58411098100	CONTACT WASHER M6 VSV-K6	1
8	83011034000	VOLTAGE REGULATOR	1
9	0025060206	HH COLLAR SCREW M6X20 TX30	2
12	58011109110	FUSE 10 A 2000	5
13	58011109115	FUSE 15 A	2
14	44011076100	CABLE TIE 100/2,5MM BLACK	x
14	44011076200	CABLE TIE 200/3,6MM BLACK	x
15	58211058000	STARTER RELAY 12V '99	1
17	0902060083	AH OVAL SCREW ISO 7380 M 6X8	2
18	58440099000	PROTECTION CAP F. STARTER ENG.	2
19	83011059000	STARTER CABLE	2
20	58511053000	BATTERY 12V 4AH YTX5L-BS	1
21	0025050126	HH COLLAR SCREW M5x12 TX30	1
22	50308052000	BUSH FOR SPOILER 6X11X16X5 MM	1
23	0023060123	COLLAR SCREW M6X12 TX	2
24	0934060003	HEXAGON NUT DIN0934-M 6	2
25	83011097000	GROUND CABLE 1	1
26	49111425000	BULB 12V 1,2W (W2X4,6D)	4
27	0025060126	HH COLLAR SCREW M6X12 TX30	1
28	58011109120	FUSE 20 A	2

098301111 / C098301111

* NEW PART

X AS REQUIRED

HAND BRAKE CYLINDER

505 SX ATV 2009

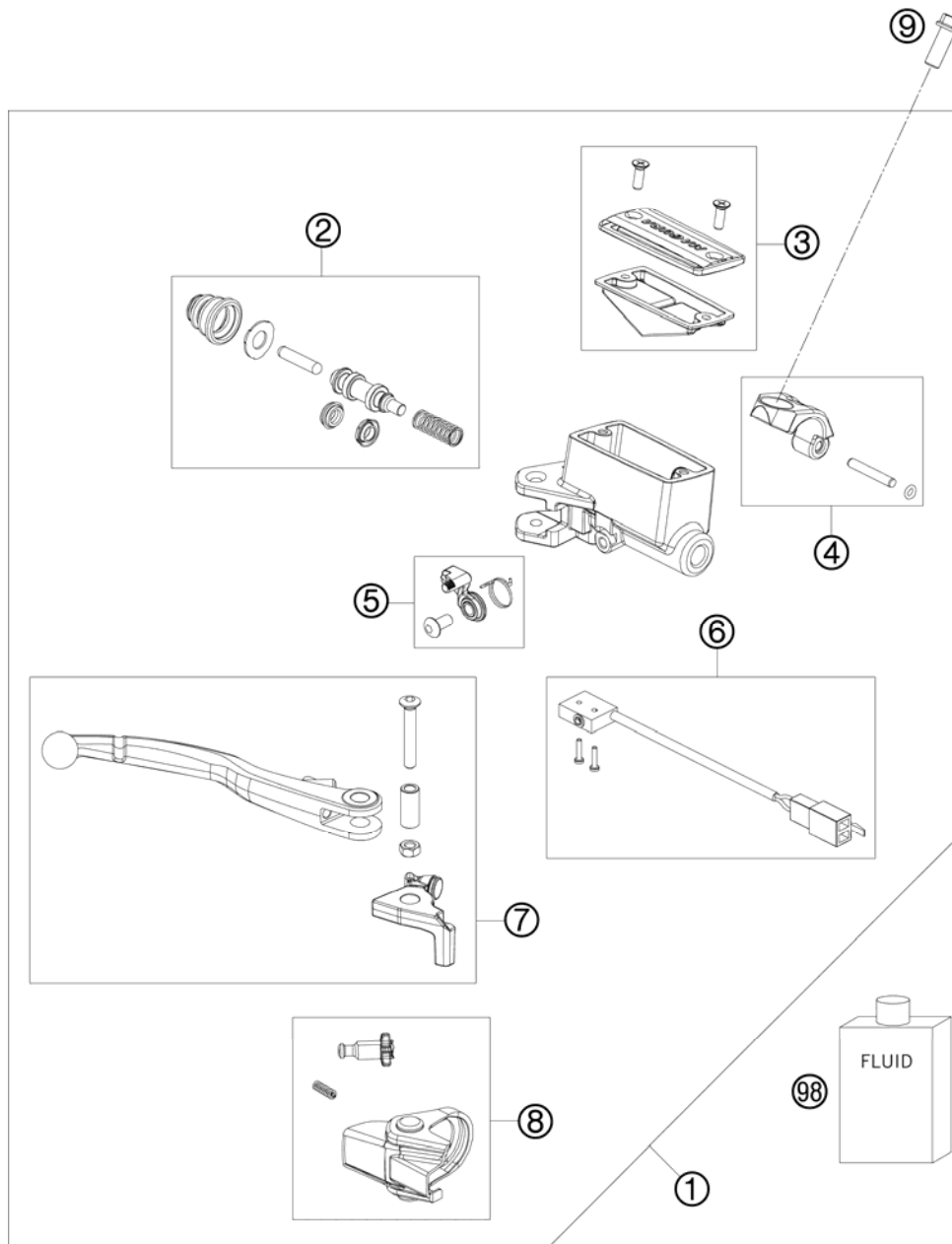


FIG	PART NUMBER	DESCRIPTION	QTY
1	83013001000	HAND BRAKE CYL. MAGURA 12MM	1
2	83013008000	REPAIR KIT PISTON MAGURA 12MM	1
3	83013003000	COVER, MEMBRANE, SCREW	1
4	83013005000	CLAMP, CYL. PIN, O-RING	1
5	83013009000	ARRESTING LEVER, SPRING, SCREW	1
6	50311051100	BRAKE LIGHT SWITCH REAR '98	1
7	83013002000	HAND-BRAKE LEVER CPL. MAGURA	1
8	83013004000	CAP, ADJUSTING SCREW, SPRING	1
9	0025060166	HH COLLAR SCREW M6X16 TX30	1
98	00062030000	BRAKE FLUID DOT5.1 0,25L	1

088301310 / C088301310

* NEW PART

X AS REQUIRED

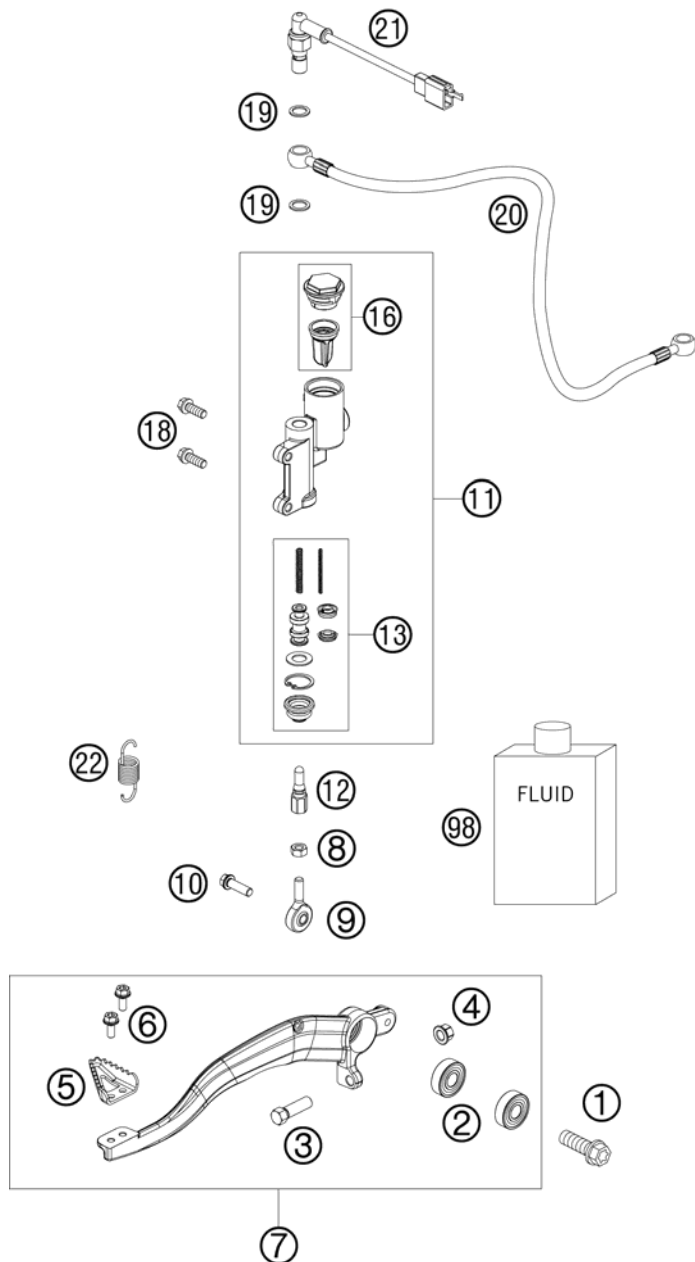


FIG	PART NUMBER	DESCRIPTION	QTY
1*	0035100309S	AH-COLLAR SCREW M10X30 ISA45	1
2	0625060002	BALL BEARING SKF 6000-2RS1	2
3	59001037000	SPECIAL SCREW M8X26 WS=10	1
4	46030045000	COLLAR NUT M8 WS=10	1
5	60013051000	STEP PLATE FOOT BRAKE LEVER 03	1
6	0025050126	HH COLLAR SCREW M5x12 TX30	2
7	83013050044	FOOT BRAKE LEVER CPL. ATV	1
8	0985060003	SELF LOCK. NUT DIN0985-M 6	1
9	54813055000	SWIVEL HEAD KA6 03	1
10	0025060206	HH COLLAR SCREW M6X20 TX30	1
11	83013060000	FOOT BRAKE CYL. MAGURA 13MM	1
12	83013056000	PUSH ROD	1
13	83013061000	REPAIR KIT PISTON MAGURA 13 MM	1
16	83013062000	COVER, MEMBRANE MAGURA	1
18	0025060166	HH COLLAR SCREW M6X16 TX30	2
19	59413013050	COPPER GASKET	2
20*	83013070100	BRAKE HOSE REAR	1
21	50311051100	BRAKE LIGHT SWITCH REAR '98	1
22	83003062000	RETURN SPRING F. BRAKE LEVER	1
98	00062030000	BRAKE FLUID DOT5.1 0,25L	1

088301330 / C098301330

* NEW PART

X AS REQUIRED

BRAKE CALIPER FRONT

505 SX ATV 2009

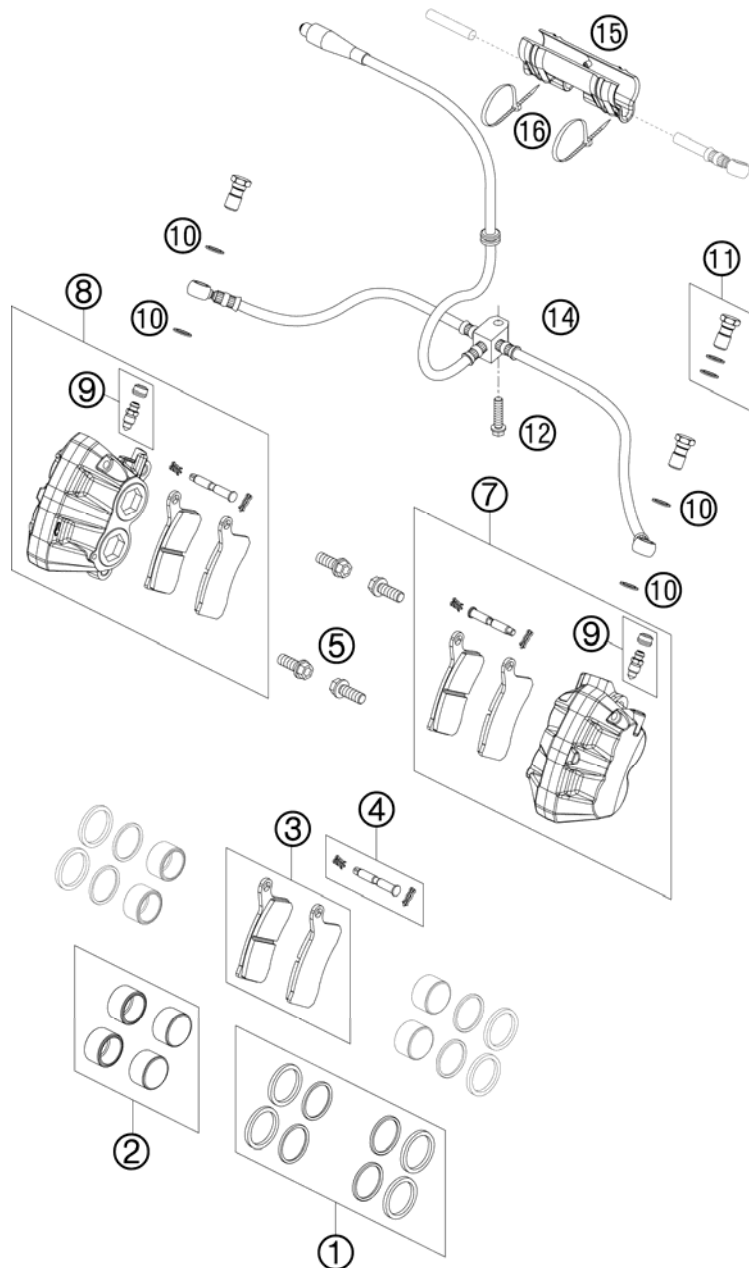


FIG	PART NUMBER	DESCRIPTION	QTY
1	83013021000	SEALING RING 8X MAGURA 26MM	1
2	83013019000	PISTON KIT 4X MAGURA 26MM	1
3	83013030100	BRAKE PAD SET FRONT ORGANIC	2
4	83013017000	SET - BOLT 1X, PIN 2X	2
5	0025080206	HH COLLAR SCREW M8X20 TX40	4
7*	83013015100	BRAKE CALIPER FRONT L/S	1
8*	83013016100	BRAKE CALIPER FRONT R/S	1
9	54732064000	BLEEDER SCREW WITH CAP	2
10	59413013050	COPPER GASKET	4
11	59032062000	HOLLOW SCREW + COPPER GASKET	2
12	0025060256	HH COLLAR SCREW M6X25 TX30	1
14	83013012000	BRAKE PIPE FRONT 790 2X610MM	1
15	83013012050	BRAKE LINE GUIDE	2
16	44011076305	CABLE TIE 300/4,8MM BLACK	x

098301360 / C098301360

* NEW PART

X AS REQUIRED

BRAKE CALIPER REAR

505 SX ATV 2009

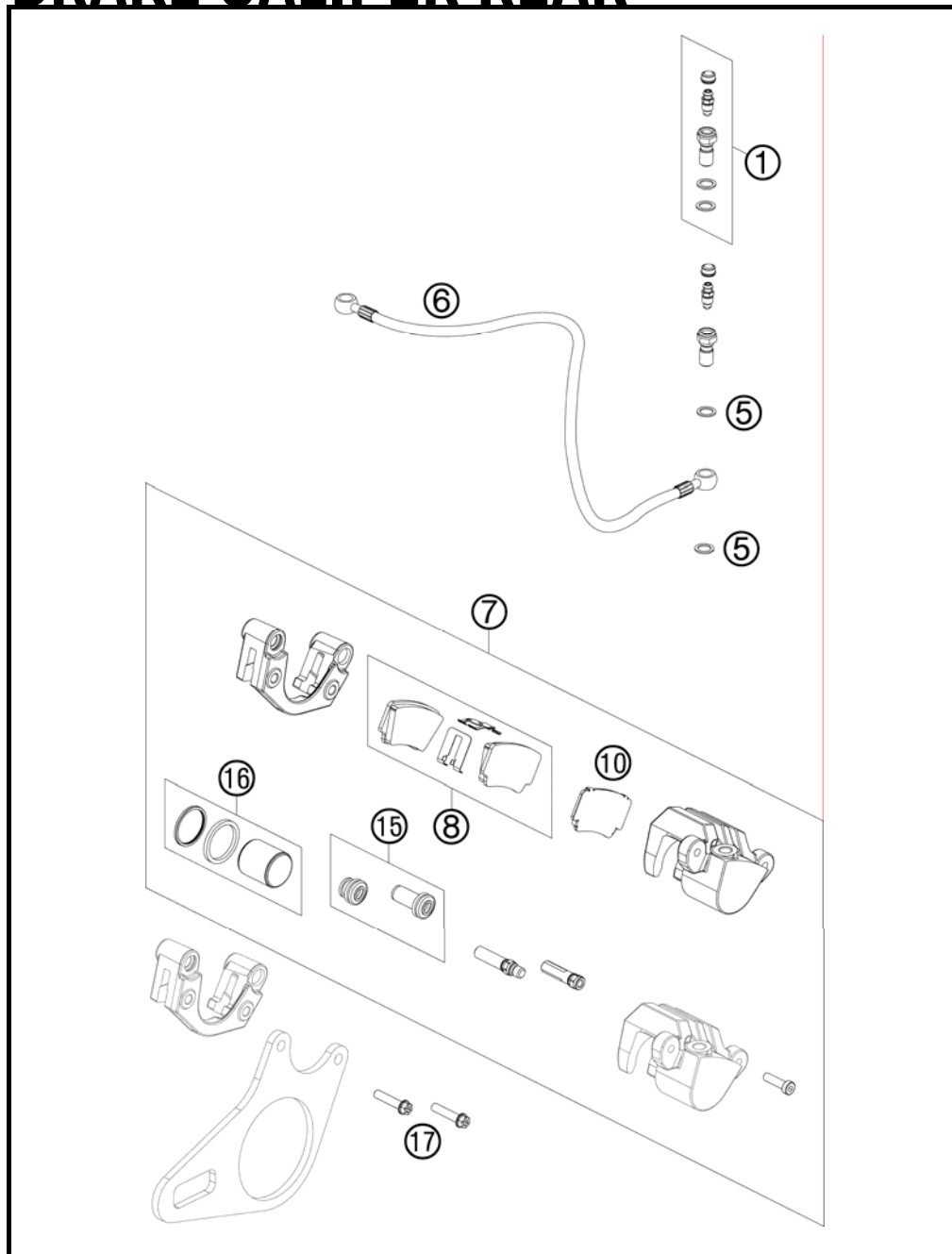


FIG	PART NUMBER	DESCRIPTION	QTY
1	50332062000	HOLLOW SCREW CPL. M 10X1 '98	1
5	59413013050	COPPER GASKET	2
6*	83513070100	BRAKE HOSE REAR 645MM	1
7	83013080000	BRAKE CALIPER MAGURA 28MM	1
8	83013090100	BRAKE PADS REAR ORGANIC	1
10	83013089000	ISOLATOR CPL.	1
15	83013084000	CUP SET	1
16	83013081000	REPAIR KIT PISTON MAGURA 28MM	1
17	0025080166S	HH COLLAR SCREW M8X16 TX40	2

088301390 / C098301391

* NEW PART

X AS REQUIRED

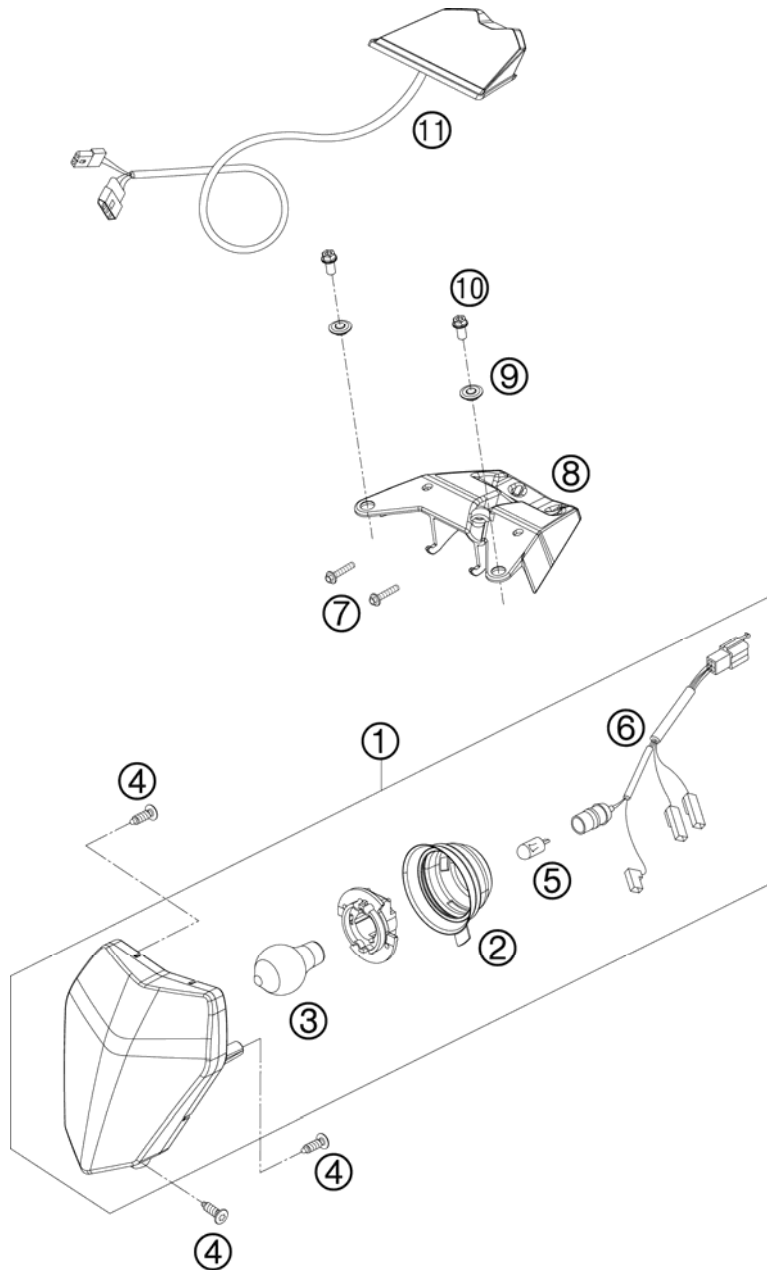


FIG	PART NUMBER	DESCRIPTION	QTY
1	83014001000	HEADLIGHT ATV	1
2	54814001050	RUBBER CAP FOR HEAD LIGHT 05	1
3	44111038000	BILUX-BULB 12V 35/35W BA20D	1
4	0081050181	SCREW FOR PLASTIC K50X18 T20	3
5	49011435100	BULB 12V 5W (W2,1X9,5D) PHIL.	1
6	54811001050	CABLE FOR HEAD LIGHT 2005	1
7	0017060203	EJOT PT SCREW K60X20 WS=6	2
8	83008013050	TAILLIGHT SUPPORT	1
9	50308052000	BUSH FOR SPOILER 6X11X16X5 MM	2
10	0025060126	HH COLLAR SCREW M6X12 TX30	2
11	78014040000	REAR LIGHT EXC-EU 2008	1

088301410 / C088301410

* NEW PART

X AS REQUIRED

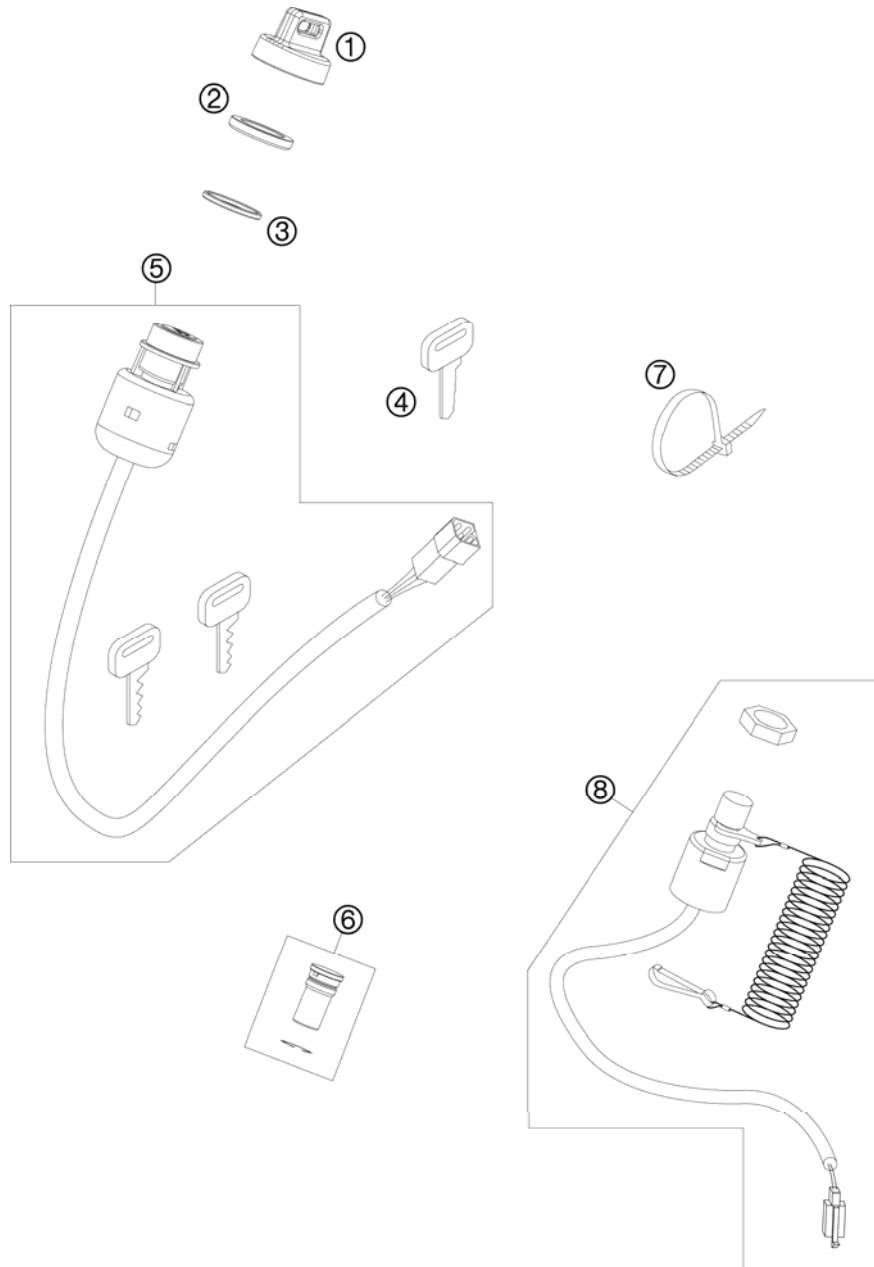


FIG	PART NUMBER	DESCRIPTION	QTY
1	83011067050	KEY COVER CAP	1
2	50311066050	IGNITION LOCK NUT M24X1	1
3	58411066450	WASHER F. IGNITION LOCK 03	1
4	40011166200	KEY BLANK BLACK "T" GRIP	1
5	83011066000	IGNITION LOCK	1
6	58011021300	H.BEAM INDICATOR LIGHT BLUE'98	1
6	58314085000	INDICATOR LIGHT ORANGE "ON" 03	1
7	44011076100	CABLE TIE 100/2,5MM BLACK	x
8	83011089000	TETHER SWITCH	1

088301430 / C098301430

* NEW PART

X AS REQUIRED

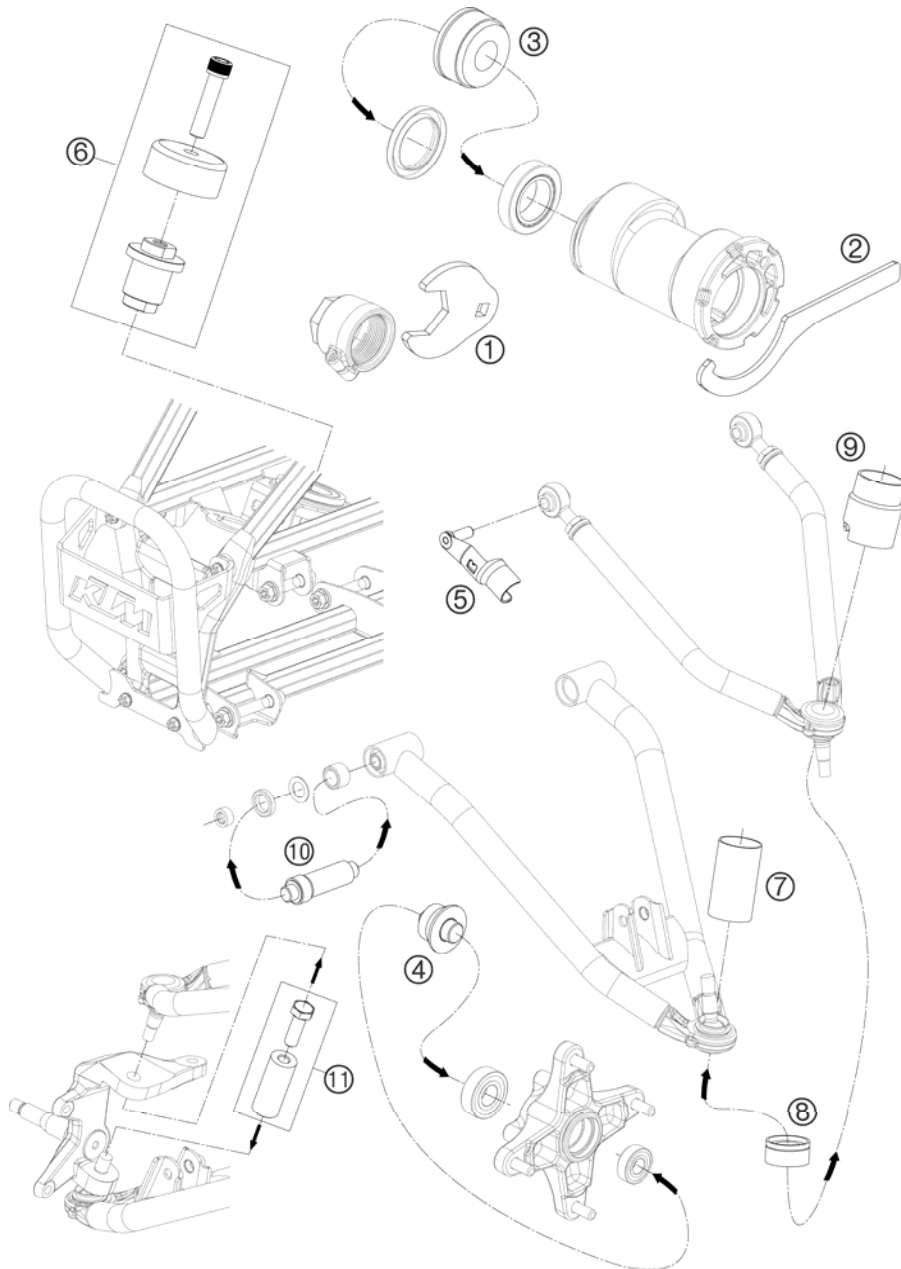


FIG	PART NUMBER	DESCRIPTION	QTY
1	83019010461	OPEN END WRENCH 46MM 1/2"DRIVE	1
2	83019011000	HOOK WRENCH F.BEARING ADJUSTM.	1
3	83019012000	PRESS TOOL FOR REAR EXCENTRIC	1
4	83019013000	PRESS TOOL FR. WHEEL HUB BEAR.	1
5	83019014000	CAL. F. CASTOR-/CAMBER ADJUST.	1
6	83019020000	PRESS TOOL FOR STEERING BEAR.	1
7	83019020100	WITHDRAWING SLEEVE BALL-HEAD	1
8	83019020130	PRESS TOOL FOR A-ARM BALL-HEAD	1
9	83019020150	SUPPORT DE/MOUNTING BALL-HEAD	1
10	83019020170	PRESS TOOL A-ARM NEEDLE BEAR.	1
11	83019021000	PRESS OUT TOOL CPL.	1

088301910 / C088301910

* NEW PART

X AS REQUIRED

①
OHNE ABBILDUNG
WITHOUT ILLUSTRATION

①
TECHNISCHE DOKUMENTATION
TECHNICAL DOCUMENTATION
DOCUMENTACION TECNICA
DOCUMENTATION TECHNIQUE
NOTE TECNICHE

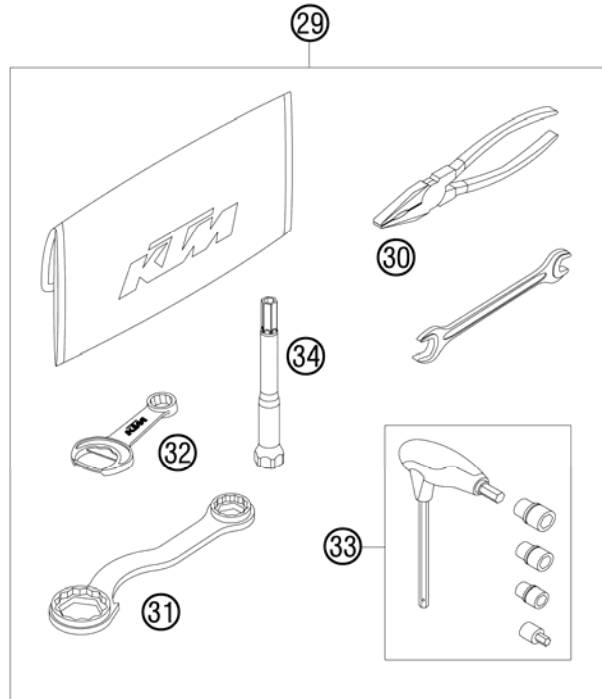


FIG	PART NUMBER	DESCRIPTION	QTY
0	0025060166	HH COLLAR SCREW M6X16 TX30	1
0	312305	DOCUMENTS BAG 2006	1
0	312313	KTM BALLPOINT ORANGE	1
0	3210039	CUSTOMER WELCOME LETTER	1
0	58411098100	CONTACT WASHER M6 VSV-K6	1
0	58511053000	BATTERY 12V 4AH YTX5L-BS	1
0	83011067050	KEY COVER CAP	1
0	83011097000	GROUND CABLE 1	1
0	83019014000	CAL. F. CASTOR-/CAMBER ADJUST.	1
0*	8350800200030	FRONT-COVER SX	1
0*	83519001000	TIRE PRESSURE GAUGE	1
1	3206058	REP. INS. 450/525 XC ATV 2008	1
1*	3211378EN	OWNERS MAN.450/505 SX ATV 2009	1
1	3212080	ATV SAFETY BROCHURE	1
1*	3CF8500IQEN	SPM CHASSIS ATV 505 SX-F 2009	1
1*	3CM089470IEN	SPC ENGINE 505 SX-ATV 2009	1
1	83003098400	SAFETY PLAQUETTE	1
29	77329099000	BORDTOOL 07	1
30	53012028200	GRIP ORANGE B&F	1
31	50329080100	WRENCH SW=17/21/27/32 B&F	1
32	50329071000	WRENCH WS=13/17	1
33	60029070200	T-WRENCH WS=6/8/10 TX=45 B&F	1
34	77029072000	SPARK PLUG KEY 250 SX-F	1

087802005 / C098312003

* NEW PART

X AS REQUIRED

FRONT SECTION

505 SX ATV 2009

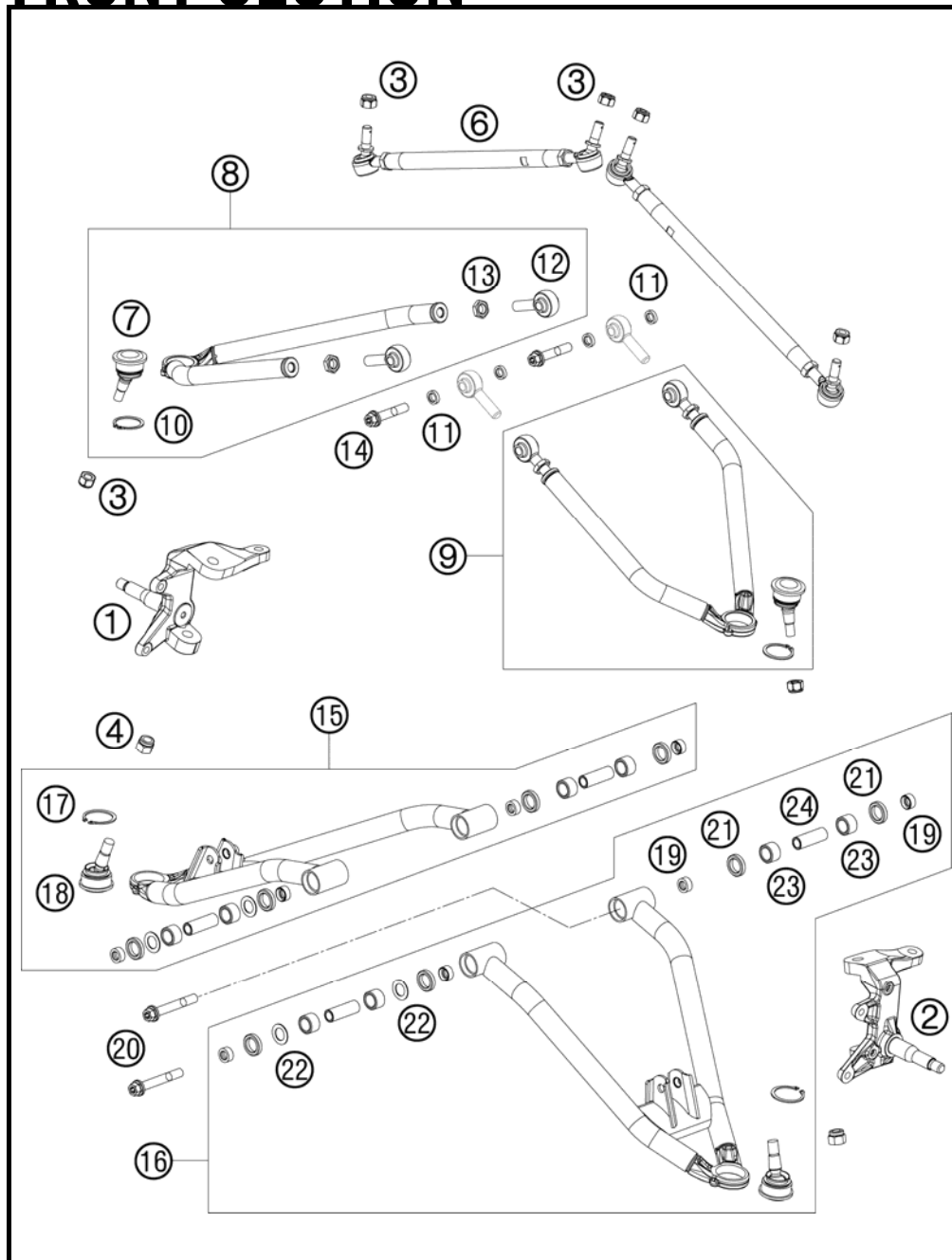


FIG	PART NUMBER	DESCRIPTION	QTY
1	83061006000	WHEEL CARRIER R/S CPL.	1
2	83061005000	WHEEL CARRIER L/S CPL.	1
3	0982101253	SELF LOCK.NUT M10X1,25	6
4	83061005025	SELF LOCK.NUT M12X1,5	2
6*	83561010044	TRACK RODS CPL. SX	2
7	83061001050	BALL HEAD M10X1,25	2
8*	83061103044	A-ARM TOP RIGHT CPL. SX	1
9*	83061101044	A-ARM TOP LEFT CPL. SX	1
10	0471320150	CIRCLIP DIN0471-32X1,5	2
11	83061001025	SPACER BUSHING F. BALLJOINT	8
12	83061001051	SWIVEL HEAD	4
13	0936120123	HEXAGON NUT DIN 936 M12x1,25	4
14	0023100523	COLLAR SCREW M10X52 TX	4
15*	83061104044	A-ARM BOTTOM RIGHT CPL. SX	1
16*	83061102044	A-ARM BOTTOM LEFT CPL. SX	1
17	0471350150	CIRCLIP DIN0741-35X1,5	2
18	83061002050	BALL HEAD M12X1,5	2
19	83061034000	BUCKET F. SHAFT SEAL RING	8
20	0023100703	COLLAR SCREW M10X70 TX	4
21	0760172660	SHAFT SEAL RING 17X26X6	8
22	83061015000	STOP DISK 15,2X25,7X1	4
23	83061079000	NEEDLE BEARING HMK 1515	8
24	83061032000	BUSHING SLEEVE F. A/ARM	4

088306110 / C098306111

* NEW PART

X AS REQUIRED



KTM-Sportmotorcycle AG
A-5230 Mattighofen
www.ktm.at

KTM Group Partner



3CF8500IQEN



Art.Nr.: 3CF8500IQEN 6/2008