


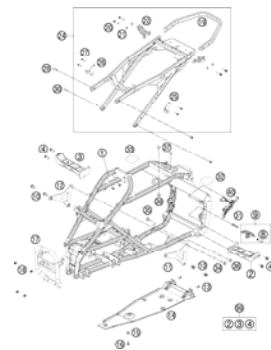
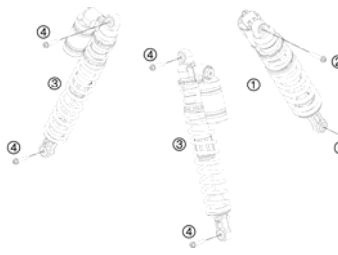
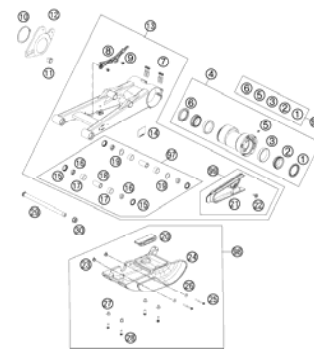
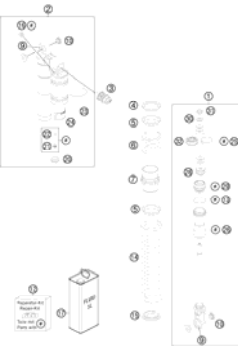
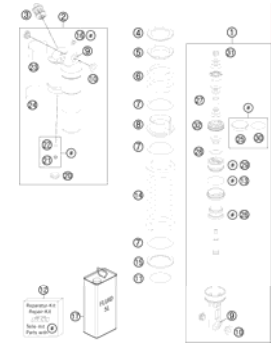
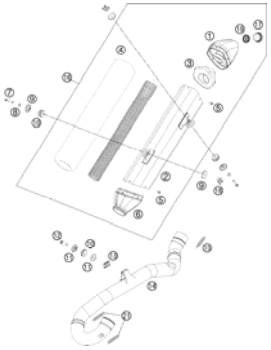
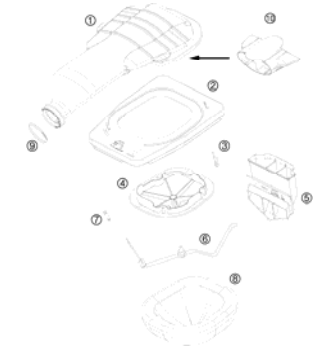

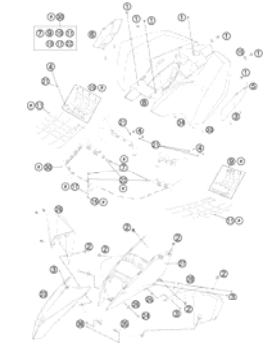
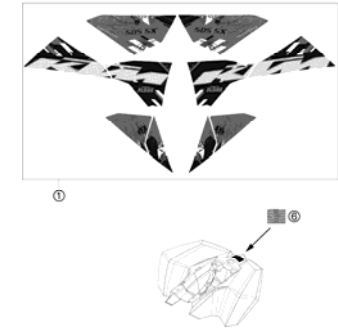
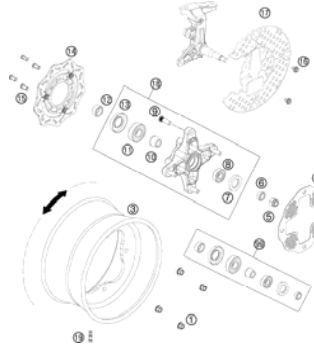
505 SX ATV 2012

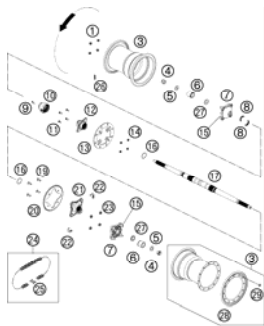
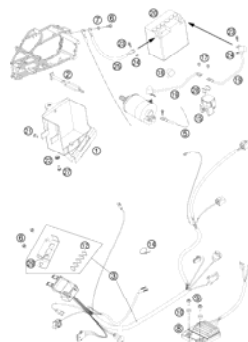

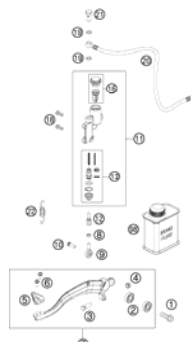
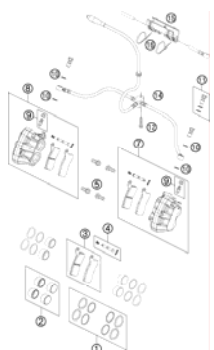
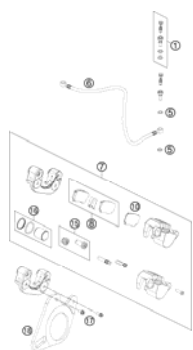
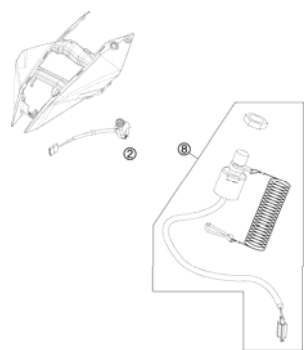
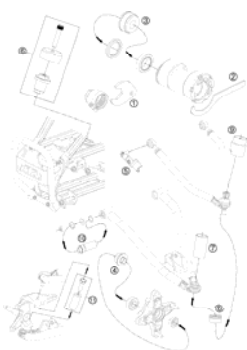
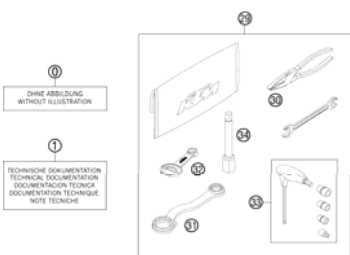
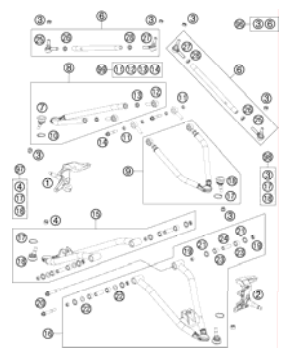
SPARE PARTS MANUAL: CHASSIS

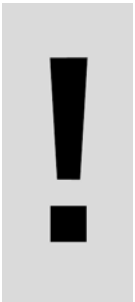
ART.NO.: 3CF8500LQEN

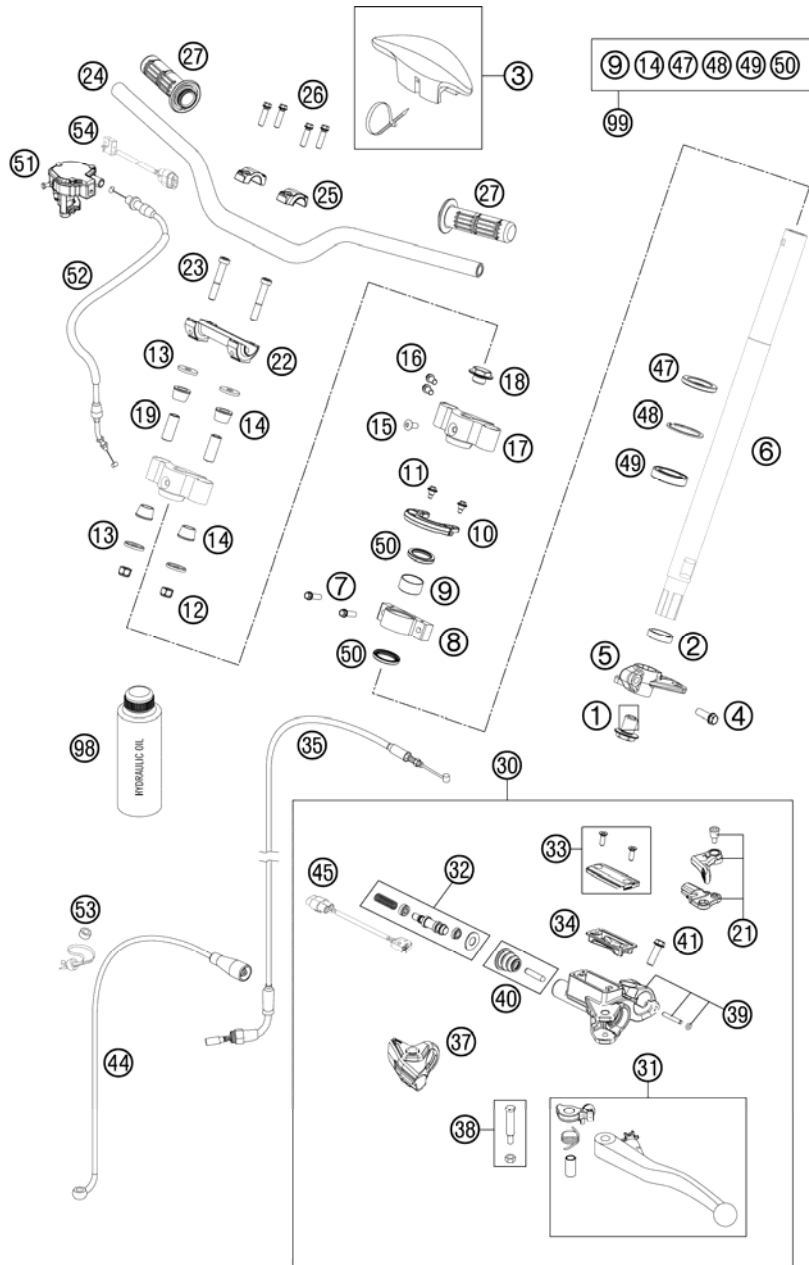
ENGLISH



| | | | |
|---|---|---|--|
| <p>HANDLEBAR, CONTROLS</p>  <p>4</p> | <p>FRAME</p>  <p>6</p> | <p>MONOSHOCK</p>  <p>7</p> | <p>SWING ARM</p>  <p>8</p> |
| <p>SHOCK ABS. FRONT DISASSEMBLED</p>  <p>9</p> | <p>SHOCK ABS. REAR DISASSEMBLED</p>  <p>10</p> | <p>EXHAUST SYSTEM</p>  <p>11</p> | <p>AIR FILTER</p>  <p>12</p> |
| <p>TANK, SEAT, COVER</p>  <p>13</p> | <p>MASK, FENDER</p>  <p>14</p> | <p>DECAL</p>  <p>15</p> | <p>FRONT WHEEL</p>  <p>16</p> |

| | | | |
|--|---|--|---|
| <p>REAR WHEEL</p>  <p>17</p> | <p>WIRING HARNESS</p>  <p>18</p> | <p>HAND BRAKE CYLINDER</p>  <p>19</p> | <p>REAR BRAKE CONTROL</p>  <p>20</p> |
| <p>BRAKE CALIPER FRONT</p>  <p>21</p> | <p>BRAKE CALIPER REAR</p>  <p>22</p> | <p>INSTRUMENTS/LOCK SYSTEM</p>  <p>23</p> | <p>SPECIAL TOOLS</p>  <p>24</p> |
| <p>ACCESSORIES KIT</p>  <p>25</p> | <p>FRONT SECTION</p>  <p>26</p> | | |

| | | | |
|--|---|--|--|
| | | | |
| | | | |
| |  | <p>All information contained is without obligation. KTM-Sportmotorcycle AG particularly reserves the right to modify any equipment, technical specifications, prices, colors, shapes, materials, services, service work, constructions, equipment and the like so as to adapt them to local conditions or to cancel any of the above items, all without previous announcement and without giving reasons. KTM may stop manufacturing certain models without previous notice. KTM shall not be held liable for any deviations of availability and/or ability to deliver, illustrations, descriptions, printing and/or other errors. The illustrated models partly contain extra equipment, which is not applied to standard models. © by KTM-SPORTMOTORCYCLE AG, Mattighofen AUSTRIA; All rights reserved; Reprint, also in extracts, with written allowance of KTM-SPORTMOTORCYCLE AG, Mattighofen only.</p> | |

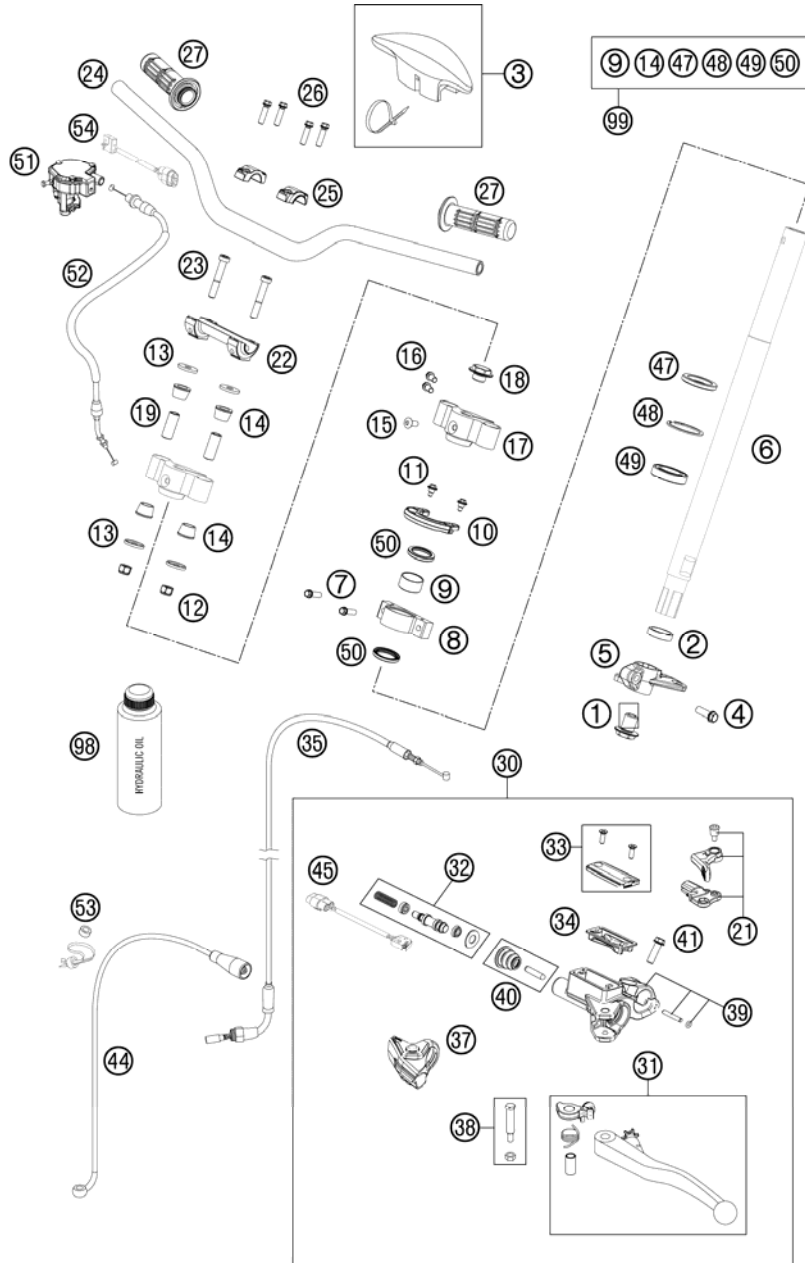


| FIG | PART NUMBER | DESCRIPTION | QTY |
|-----|-------------|--------------------------------|-----|
| 1 | 83001033051 | STEERING HEAD SCREW M20X1,5 | 1 |
| 2 | 83001033052 | WASHER F. STEERING BEARING | 1 |
| 3 | 77202002100 | BAR PAD CPL. | 1 |
| 4 | 0015100303 | HH COLLAR SCREW M10X30 WS=13 | 1 |
| 5 | 83001033050 | STEERING LEVER | 1 |
| 6 | 83501033100 | STEERING COLUMN | 1 |
| 7 | 0025080256 | HH COLLAR SCREW M8X25 TX40 | 2 |
| 8 | 83001035100 | BEARING BLOCK STEERING COLUMN | 1 |
| 9 | 83001035150 | SLIDE BEARING W.C. JSM-3539-20 | 1 |
| 10 | 83001069000 | CABLE GUIDE | 1 |
| 11 | 59001092050 | SPECIAL SCREW M6X12,5 WS=8 | 2 |
| 12 | 0985100003 | SELF LOCKING NUT DIN0985-M10 | 2 |
| 13 | 83001042000 | BUCKET | 4 |
| 14 | 83001040000 | RUBBER BUSH | 4 |
| 15 | 0019080206 | COUNTER-SUNK SCREW ISA45 M8X20 | 1 |
| 16 | 0025080206 | HH COLLAR SCREW M8X20 TX40 | 2 |
| 17 | 83001034108 | HANDLE BAR BRIDGE | 1 |
| 18 | 54801036000 | STEER.HEAD SCREW M20X1,5 WS=27 | 1 |
| 19 | 83001041000 | SPACER TUBE 10.2X16X39 | 2 |
| 21 | 77302047000 | HOT START LEVER CPL. 09 | 1 |
| 22 | 59001039100 | HANDLEBAR SUPPORT 28MM SC'99 | 1 |
| 23 | 0012100606 | AH SCREW DIN6912-M10X60 | 2 |
| 24 | 83002001000 | HANDLEBAR ATV 2008 | 1 |
| 25 | 59001038200 | HANDLEBAR CLAMP D=28MM 2000 | 2 |
| 26 | 0025080306 | HH COLLAR SCREW M8X30 TX40 | 4 |
| 27 | 83002021000 | GRIP-SET DUAL COMPOUND | 1 |
| 30 | 83502030000 | MASTER CYLINDER CPL. 10,5 mm | 1 |
| 31 | 50302031300 | CLUTCH LEVER CPL. 2009 | 1 |
| 32 | 77302032000 | REP.KIT PISTON 10,5MM 09 | 1 |
| 33 | 50302033200 | COVER HYDR. CLUTCH CPL. 09 | 1 |
| 34 | 50302034100 | RUBBER FOR RESERVOIR 09 | 1 |
| 35 | 83502096000 | CABLE FOR HOTSTART | 1 |
| 37 | 50302037100 | MUD CAP 09 | 1 |
| 38 | 50302038100 | LEVER SCREW CPL. 09 | 1 |
| 39 | 83013005000 | CLAMP, CYL. PIN, O-RING | 1 |

128300211 / C128300211

* NEW PART

X AS REQUIRED

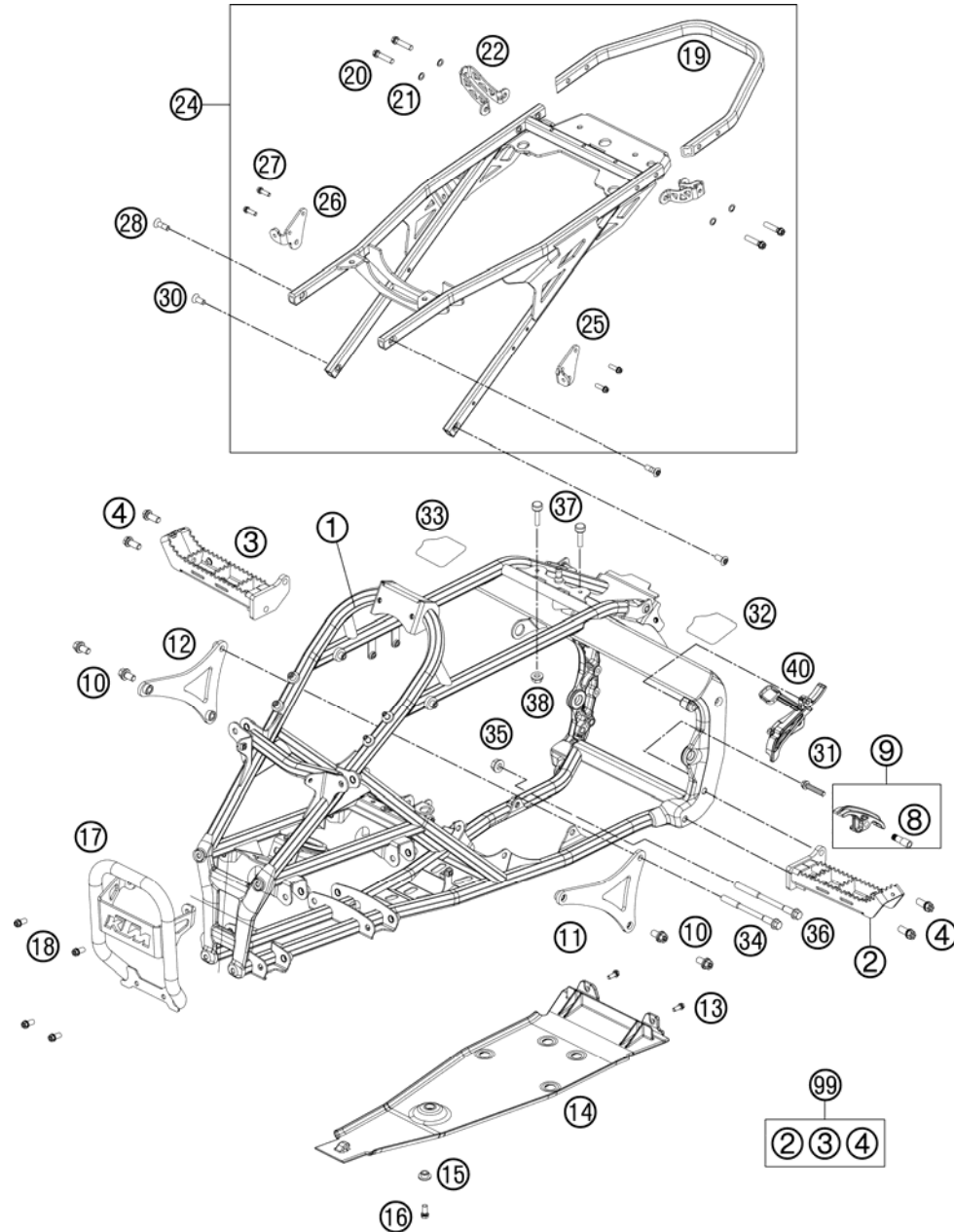


| FIG | PART NUMBER | DESCRIPTION | QTY |
|-----|-------------|--------------------------------|-----|
| 40 | 50302046000 | PUSH ROD CPL. 09 | 1 |
| 41 | 0025060166 | HH COLLAR SCREW M6X16 TX30 | 1 |
| 44 | 83032063000 | CLUTCH PIPE | 1 |
| 45 | 83111049000 | CLUTCH SWITCH ATV | 1 |
| 47 | 0760385570 | SHAFT SEAL RING 38,5X55X7 | 1 |
| 48 | 0472055200 | CIRCLIP DIN0472-55X2 | 1 |
| 49 | 0625060061 | BALL BEARING 6006/32-2RS1 | 1 |
| 50 | 83501035060 | SHAFT SEAL RING 35x47x6 NBR902 | 2 |
| 51 | 83002022100 | THUMB THROTTLE | 1 |
| 52 | 83002091000 | THROTTLE CABLE ATV | 1 |
| 53 | 50301089000 | SPACER BUSHING 6X10X5 | 2 |
| 54 | 83011025000 | SAFETY SWITCH THUMB THROTTLE | 1 |
| 98 | 50302036200 | OIL FOR HYD. CLUTCH 75ML | 1 |
| 99 | 00050010012 | STEERING STEM RENEW KIT ATV | x |

128300211 / C128300211

* NEW PART

X AS REQUIRED

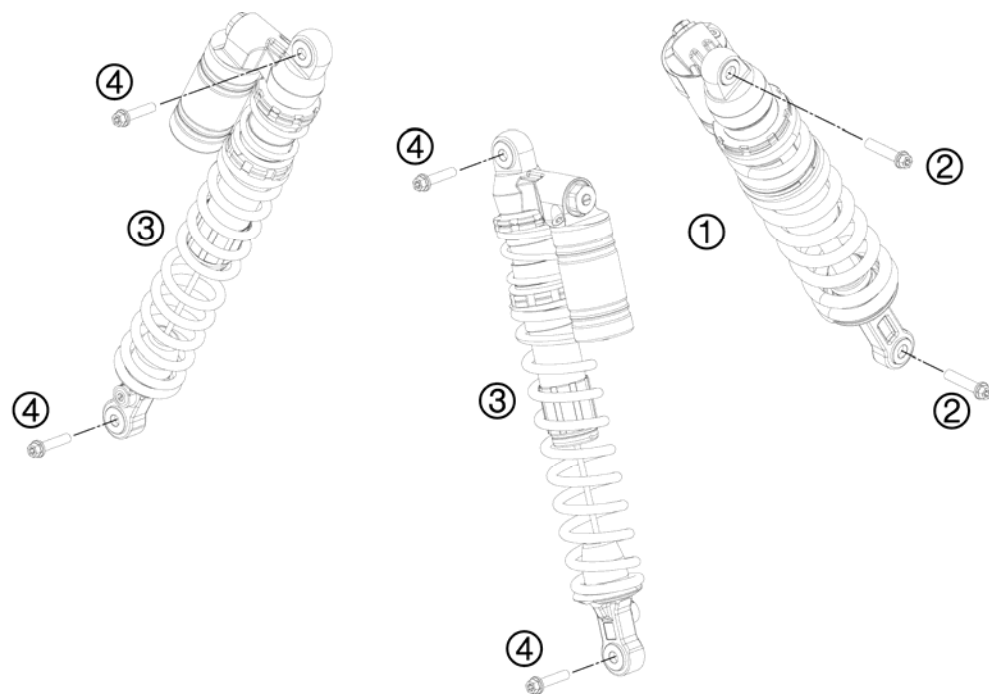


| FIG | PART NUMBER | DESCRIPTION | QTY |
|-----|---------------|--------------------------------|-----|
| 1 | 8350300110033 | FRAME ATV-SX "NB10" 2010 | 1 |
| 2 | 83003040300 | FOOTREST L/S | 1 |
| 3 | 83003041300 | FOOTREST R/S | 1 |
| 4 | 0035100249 | AH-COLLAR SCREW M10X24 ISA45 | 4 |
| 8 | 83003053051 | BUSHING | 1 |
| 9 | 83003053000 | CHAIN SLIDING PIECE BELOW | 1 |
| 10 | 0023100183 | COLLAR SCREW M10X18 TX | 4 |
| 11 | 83503013044 | ENGINE SUPPORT L/S CPL. SX | 1 |
| 12 | 83503113044 | ENGINE SUPPORT R/S CPL. SX | 1 |
| 13 | 0025060166 | HH COLLAR SCREW M6X16 TX30 | 2 |
| 14 | 83003090200 | FRAME PROTECTION BELOW | 1 |
| 15 | 60007061000 | BEARING BUSHING INSIDE 03 | 1 |
| 16 | 0025080206 | HH COLLAR SCREW M8X20 TX40 | 1 |
| 17 | 8300300300030 | FRONT BUMPER BLACK | 1 |
| 18 | 0025080166 | HH COLLAR SCREW M8X16 TX40 | 4 |
| 19 | 83003002010 | SUB FRAME-BRACKET 07 | 1 |
| 20 | 0025080356S | HH COLLAR SCREW M8X35 TX40 | 4 |
| 21 | 36003014000 | LOCK WASHER 8MM | 4 |
| 22 | 83003002030 | FENDER MOUNTING | 2 |
| 24 | 83003002144 | SUB FRAME | 1 |
| 25 | 83003002040 | HEELGUARD FIXING L/S | 1 |
| 26 | 83003002041 | HEELGUARD FIXING R/S | 1 |
| 27 | 0025060206 | HH COLLAR SCREW M6X20 TX30 | 4 |
| 28 | 0019080266S | COUNTER-SUNK SCREW ISA45 M8X26 | 2 |
| 30 | 0019080206S | FLAT HEAD SCREW M. ISA45 M8X20 | 2 |
| 31 | 0025080456 | HH COLLAR SCREW M8X45 TX40 | 1 |
| 32 | 83003099000 | PROTECT.FILM F. FRAME L/S 2008 | 1 |
| 33 | 83003099100 | PROTECT.FILM F. FRAME R/S 2008 | 1 |
| 34 | 59003013000 | ENGINEBRAC.SCREW M10X123 WS=13 | 1 |
| 35 | 54310086100 | SELF LOCKING NUT M10 CU WS=14 | 1 |
| 36 | 83503014000 | ENGINE BRAC.SCREW M10X146 10.9 | 1 |
| 37 | 83503034000 | PARABOLIC BUMPER TANKBRACKET | 2 |
| 38 | 0926060000 | STOP NUT M6 DIN6926 A2-70 | 2 |
| 40 | 83503096000 | CHAIN GUARD ATV SX | 1 |
| 99 | 00050010002 | FOOTPEG KIT ATV | x |

128300311 / C128300312

* NEW PART

X AS REQUIRED

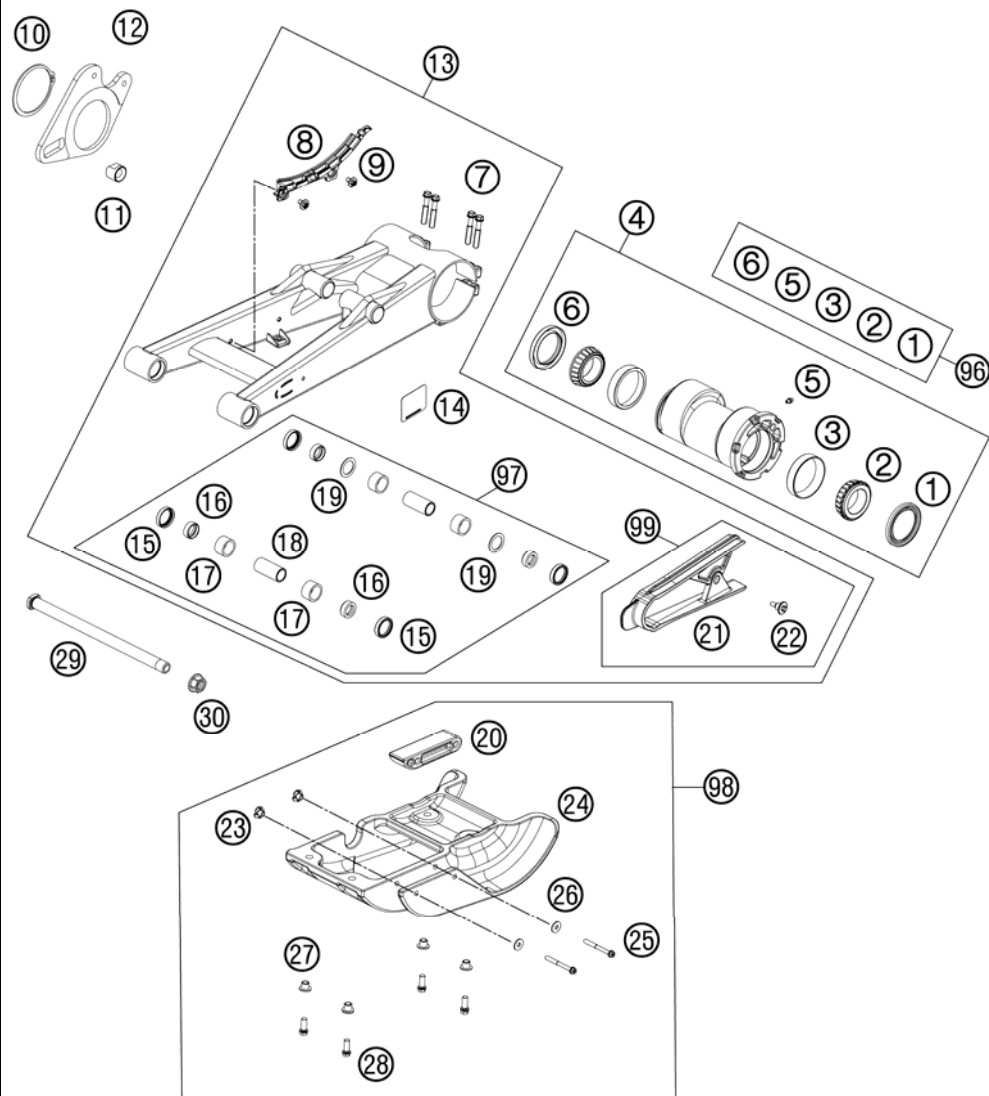


| FIG | PART NUMBER | DESCRIPTION | QTY |
|-----|-------------|-------------------------------|-----|
| 1 | 15187J1601 | MONOSHOCK REAR SX 2010 | 1 |
| 2 | 0015120556S | HH COLLAR M12X55 WS=13 06 | 2 |
| 3 | 03187J1601 | MONOSHOCK FRONT LS+RS SX 2010 | 2 |
| 4 | 0023100453 | COLLAR SCREW M10X45 TX | 4 |

128300411 / C128300411

* NEW PART

X AS REQUIRED



| FIG | PART NUMBER | DESCRIPTION | QTY |
|-----|-------------|--------------------------------|-----|
| 1 | 83010040053 | SHAFT SEAL RING 2"X2,75"X0,25" | 1 |
| 2 | 83010040051 | INNER RING 32008 | 2 |
| 3 | 83010040050 | OUTER RING 32008 | 2 |
| 4 | 83010040033 | REAR WHEEL EXCENTRIC CPL. | 1 |
| 5 | 72003035000 | GREASE FITTING M6 STRAIGHT | 1 |
| 6 | 83010040052 | SHAFT SEAL RING 2"X2,75"X0,313 | 1 |
| 7 | 0025080406 | HH COLLAR SCREW M8X40 TX40 | 4 |
| 8 | 83513070000 | BRAKE LINE GUIDE REAR | 1 |
| 9 | 83008000012 | SPECIAL SCREW M6X12X3 | 2 |
| 10 | 0471780250 | CIRCLIP DIN 471 78X2,5 | 1 |
| 11 | 83013052000 | BRAKE THRUST BEARING | 1 |
| 12 | 83013046200 | BRAKE CALIPER SUPPORT PLATE | 1 |
| 13 | 83504030144 | SWING ARM CPL. 2010 | 1 |
| 14 | 83004030090 | STICKER FOR CHAIN TENSION | 1 |
| 15 | 0760253270 | SHAFT SEAL RING 25X32X7 | 4 |
| 16 | 54804034000 | BUCKET F. SHAFT SEAL RING 03 | 4 |
| 17 | 58033097000 | NEEDLE BEARING HK 2216 | 4 |
| 18 | 54804032000 | BUSHING SLEEVE F. SWING ARM 03 | 2 |
| 19 | 54603036000 | STOP DISK 22,2X31,7X1 | 2 |
| 20 | 83004070000 | CHAIN GUIDE | 1 |
| 21 | 83004066100 | CHAIN SLIDING GUARD | 1 |
| 22 | 60035001000 | SPECIAL SCREW M6X21 WS=8 | 1 |
| 23 | 83004046060 | DRIVE-IN NUT FOR GUARD | 2 |
| 24 | 83004046000 | ASM-GUARD | 1 |
| 25 | 0025060556 | HH COLLAR SCREW M6X55 TX30 | 2 |
| 26 | 0021060003 | WASHER DIN9021-A 6,4 | 2 |
| 27 | 83004046050 | BUSHING F. SWINGPROTECTION | 4 |
| 28 | 0025080206 | HH COLLAR SCREW M8X20 TX40 | 4 |
| 29 | 83004037000 | SWING ARM BOLT | 1 |
| 30 | 54804038000 | SELF LOCK.NUT M16X1,5 WS=19 03 | 1 |
| 96 | 00050010003 | EXCENTER REP. KIT ATV | x |
| 97 | 54804230210 | SWINGARM REPAIR KIT 05-12 | x |
| 98 | 00050010005 | SWINGARM GUARD KIT ATV | x |
| 99 | 00050010006 | CHAIN SLIDING GUARD ATV | x |

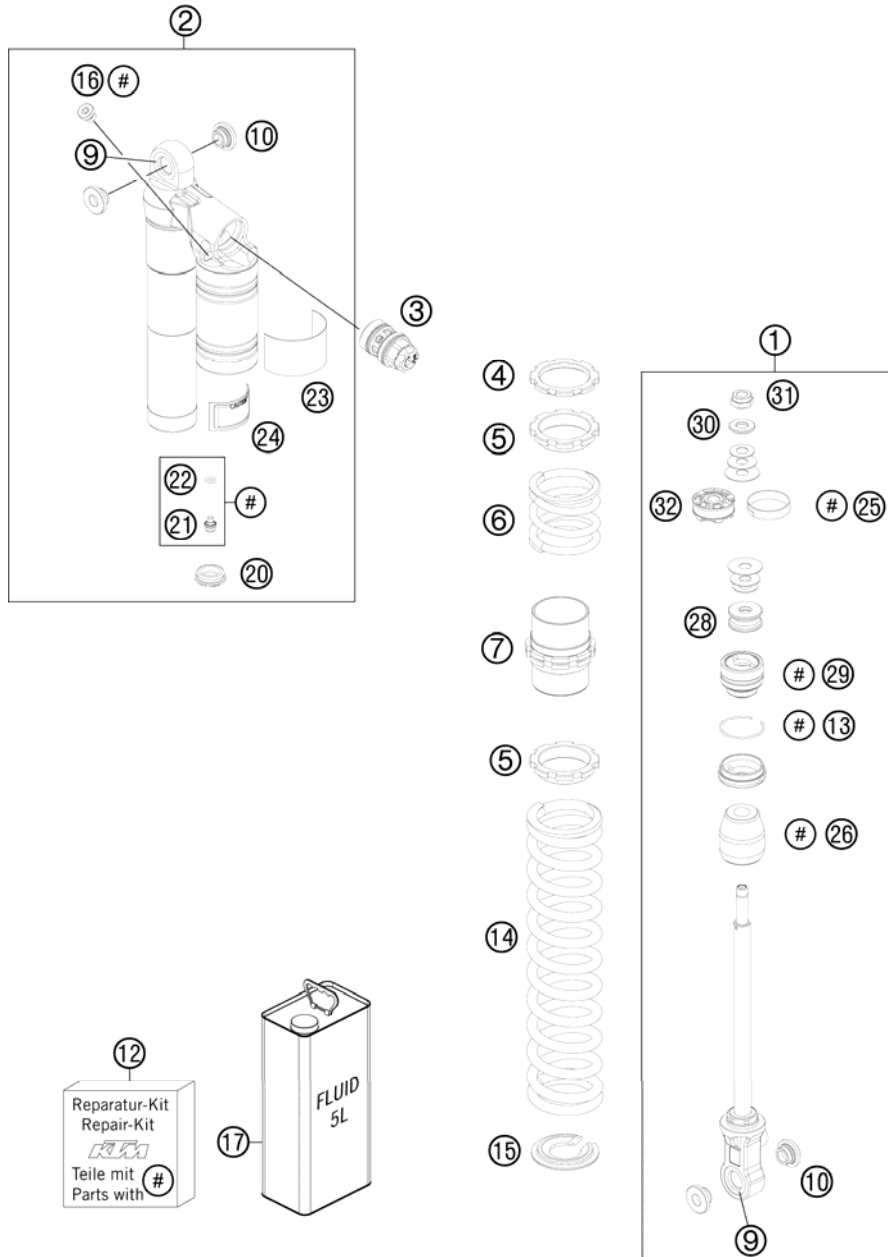
128300491 / C128300491

* NEW PART

X AS REQUIRED

SHOCK ABS. FRONT DISASSEMBLED

505 SX ATV 2012



| FIG | PART NUMBER | DESCRIPTION | QTY |
|-----|-------------|--------------------------------|-----|
| 1 | 36120781SA2 | MONOSHOCK LOWER PART | 1 |
| 2 | 36120811SA | MONOSHOCK TOP PART | 1 |
| 3 | 50180213S6 | DCC-COMPR.DAMP.CONTROL CPL. 04 | 1 |
| 4 | 36120015 | COUNTERNUT | 1 |
| 5 | 36120815 | ADJUSTING NUT M44X1,5 | 1 |
| 6 | 93010188S | SPRING 40-60 D6.5 | 1 |
| 7 | 36120814S | THREAD BUSHING L70LM48X1 CPL. | 1 |
| 9 | R15009 | BEARING KIT KGW 1525 990 DUKE | 2 |
| 10 | 46180010 | BUSH KGW 10X24 | 4 |
| 12 | R308 | REPAIR-KIT | 1 |
| 13 | 40540015 | CIRCLIP 38X1,5 | 1 |
| 14 | 93020035S | SPRING 24-29-275 D8,5 | 1 |
| 14 | 93020036S | SPRING 21-26-275 D8,5 | x |
| 14 | 93020037S | SPRING 27-32-275 | x |
| 15 | 36120816 | SPRING GUIDE OPEN B15B d50 | 1 |
| 16 | 50180095 | BLEED PLUG R 1/8 | 1 |
| 17 | 50180751S1 | SHOCK ABSORBER FLUID 5 LT | 1 |
| 20 | 46811208 | RUBBER CAP "DO NOT OPEN" | 1 |
| 21 | 36120151 | SCREW PLUG M5X6 | 1 |
| 22 | 46810893 | O-RING NBR 5,28X1,78 | 1 |
| 23 | 52000086 | STICKER WP TRANSPARENT 35X55 | 1 |
| 24 | 52000012 | * STICKER WP "CAUTION" 27X55 | 1 |
| 25 | 36120040 | PISTON RING 8X1X108,3 | 1 |
| 26 | 36120799 | BUMP RUBBER | 1 |
| 28 | 36120786 | REBOUND DISC H=10 D=28,5 | 1 |
| 29 | 36120787S | ADAPTOR 36MM H26,6 CPL. 07 | 1 |
| 30 | 36120604 | SHIM D10XD22X2,5 | 1 |
| 31 | 36120052 | PISTON ROD NUT M10X1 | 1 |
| 32 | 36120071 | * PISTON 6+6XD5.5/3.5 | 1 |

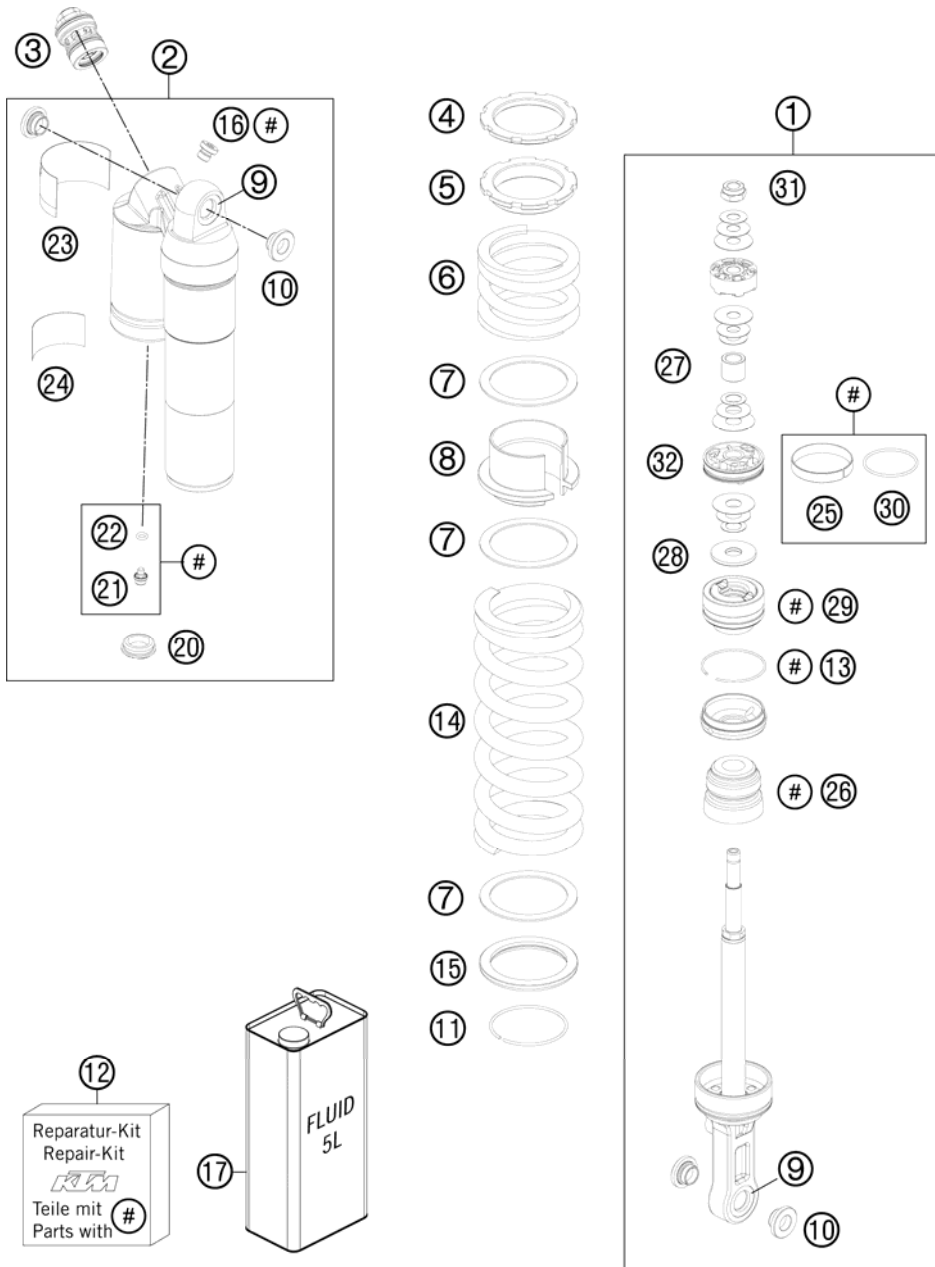
128350435 / C128350435

* NEW PART

X AS REQUIRED

SHOCK ABS. REAR DISASSEMBLED

505 SX ATV 2012



| FIG | PART NUMBER | DESCRIPTION | QTY |
|-----|-------------|--------------------------------|-----|
| 1 | 46180654SA6 | MONOSHOCK LOWER PART | 1 |
| 2 | 46180728SA | MONOSHOCK UPPER PART | 1 |
| 3 | 50180213S6 | DCC-COMPR.DAMP.CONTROL CPL. 04 | 1 |
| 4 | 46180766 | COUNTERNUT | 1 |
| 5 | 46180765 | ADJUSTING NUT M54X1,5 | 1 |
| 6 | 91010297S | SPRING 100-55 | 1 |
| 7 | 50180410 | INTERM.RING D=58 | 3 |
| 8 | 46180787 | SPRING GUIDE UPPER L43 | 1 |
| 9 | R12012 | REP. KIT BEAR./SEAL UP. 07 | 2 |
| 10 | 46180007 | ADAPTOR BUSH KGW 12X24 | 4 |
| 11 | 46180513 | COPPER WASHER 55X2 RVS | 1 |
| 12 | R15007 | REPAIR KIT | 1 |
| 13 | 46810010 | CIRCLIP 49X1,5 | 1 |
| 14 | 91010291 | (59) 74-200 D 11,25 ORANGE | 1 |
| 14 | 91010298S | SPRING 78-200 | x |
| 14 | 91010305S | SPRING 70-200 | x |
| 15 | 46180512 | SPRING RETAINER D74 | 1 |
| 16 | 50180095 | BLEED PLUG R 1/8 | 1 |
| 17 | 50180751S1 | SHOCK ABSORBER FLUID 5 LT | 1 |
| 20 | 46811208 | RUBBER CAP "DO NOT OPEN" | 1 |
| 21 | 36120151 | SCREW PLUG M5X6 | 1 |
| 22 | 46810893 | O-RING NBR 5,28X1,78 | 1 |
| 23 | 52000086 | STICKER WP TRANSPARENT 35X55 | 1 |
| 24 | 52000012 | * STICKER WP "CAUTION" 27X55 | 1 |
| 25 | 46811206 | PISTON RING 8X46 | 1 |
| 26 | 50180120 | BUMP STOP RUBBER W-60 D18 | 1 |
| 27 | 46180339 | SEPARATION BUSH 17X12X18 | 1 |
| 28 | 46180179 | REBOUND DISC H=0 | 1 |
| 29 | 46180669S | ADAPTOR CPL. D=46 H=28 07 | 1 |
| 30 | 46810035 | O-RING VITON 37,82X1,78 | 1 |
| 31 | 46180356 | PISTON ROD NUT M10X1 | 1 |
| 32 | 46180441 | PISTON 5X4,5X/6X6 | 1 |

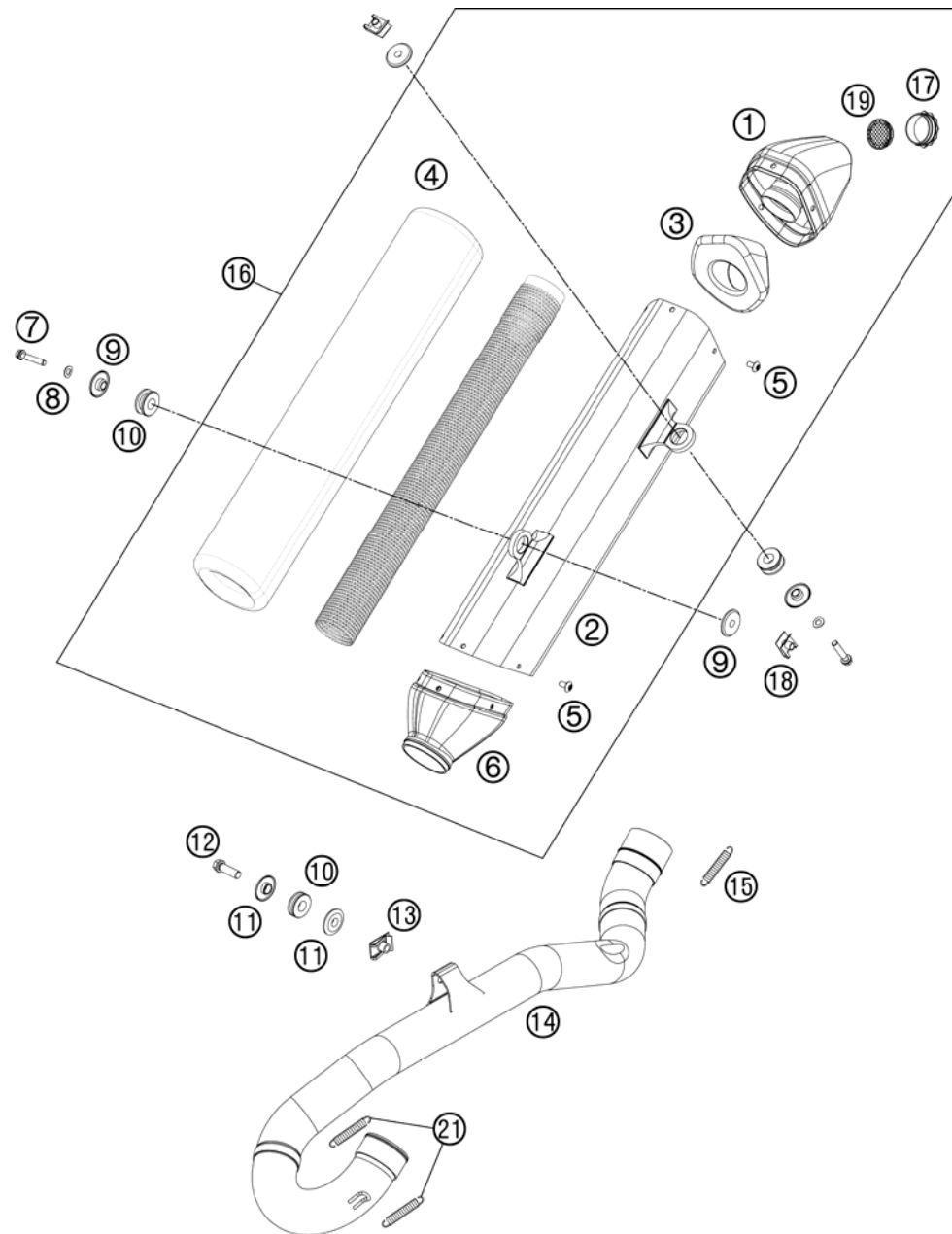
128350436 / C128350436

* NEW PART

X AS REQUIRED

EXHAUST SYSTEM

505 SX ATV 2012

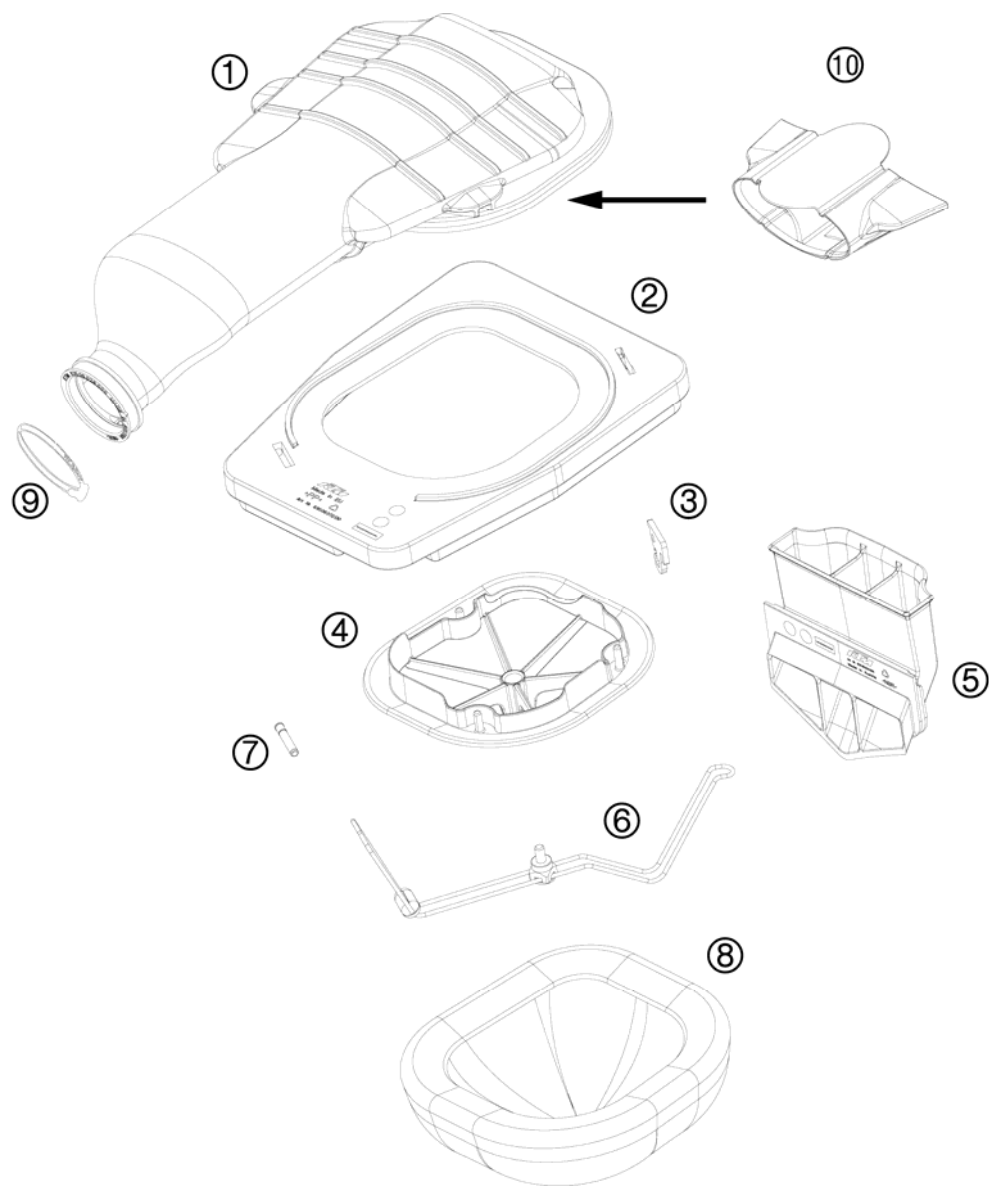


| FIG | PART NUMBER | DESCRIPTION | QTY |
|-----|-------------|--------------------------------|-----|
| 1 | 77305079006 | ENDCAP 07 | 1 |
| 2 | 83005079050 | SILENCER HOUSING SX ATV | 1 |
| 3 | 83005078070 | ROCKWOOL PREFOMED | 1 |
| 4 | 77105078640 | STUFFING YARN 640G | 1 |
| 5 | 58605083010 | SCREW TORX M5X10 05 | 10 |
| 6 | 83005079060 | SIL. CONNECT. CAP CPL. ATV | 1 |
| 7 | 0025060306 | HH COLLAR SCREW M6X30 TX30 | 2 |
| 8 | 0137060003 | SPRING WASHER DIN0137-B 6 | 2 |
| 9 | 54605069000 | BUSHING 7,5X12X28X7,8 '96 | 4 |
| 10 | 54605068000 | EXHAUST BRACKET RUBBER BLACK | 3 |
| 11 | 59405069000 | BUSHING FOR EXHAUST SUPPORT 03 | 2 |
| 12 | 0025080256 | HH COLLAR SCREW M8X25 TX40 | 1 |
| 13 | 54603048000 | RANGE CHANGE METAL NUT M8 | 1 |
| 14 | 83505007000 | EXHAUST MANIFOLD R/S CPL. | 1 |
| 15 | 54309036000 | RETURN SPRING L=38 MM | 1 |
| 16 | 83005079000 | EXHAUS SILENC. CPL. R/S ATV SX | 1 |
| 17 | 77005081055 | SIL. ELEMENT EXC-F 07 | 1 |
| 18 | 54603048100 | RANGE CHANGE METAL NUT M6 | 2 |
| 19 | 77005081065 | THROTTLE ELEMENT CPL. EXC 07 | 1 |
| 21 | 50305016000 | TEN.SPRING L=62MM EY.MOVEABLE | 2 |

128300511 / C128300511

* NEW PART

X AS REQUIRED



| FIG | PART NUMBER | DESCRIPTION | QTY |
|-----|-------------|--------------------------------|-----|
| 1 | 83506026000 | CARBURETOR CON. BOOT SX 2009 | 1 |
| 2 | 83008072130 | AIR FILTER BOX COVER | 1 |
| 3 | 77306019000 | FASTEN. DEVICE FILTER S. SX 07 | 1 |
| 4 | 77306016000 | FILTER CARRIER 4S SX 07 | 1 |
| 5 | 83006024000 | INTAKE MANIFOLD | 1 |
| 6 | 83006017000 | AIR FILTER SUPPORT BRACKET CPL | 1 |
| 7 | 77306018000 | FILTER SUPPORT BUSH 07 | 1 |
| 8 | 78006015000 | AIR FILTER | 1 |
| 9 | 51006027000 | HOSE CLAMP 50-70MM | 1 |
| 10 | 83506026050 | HARDENING INTAKE RUBBER | 1 |

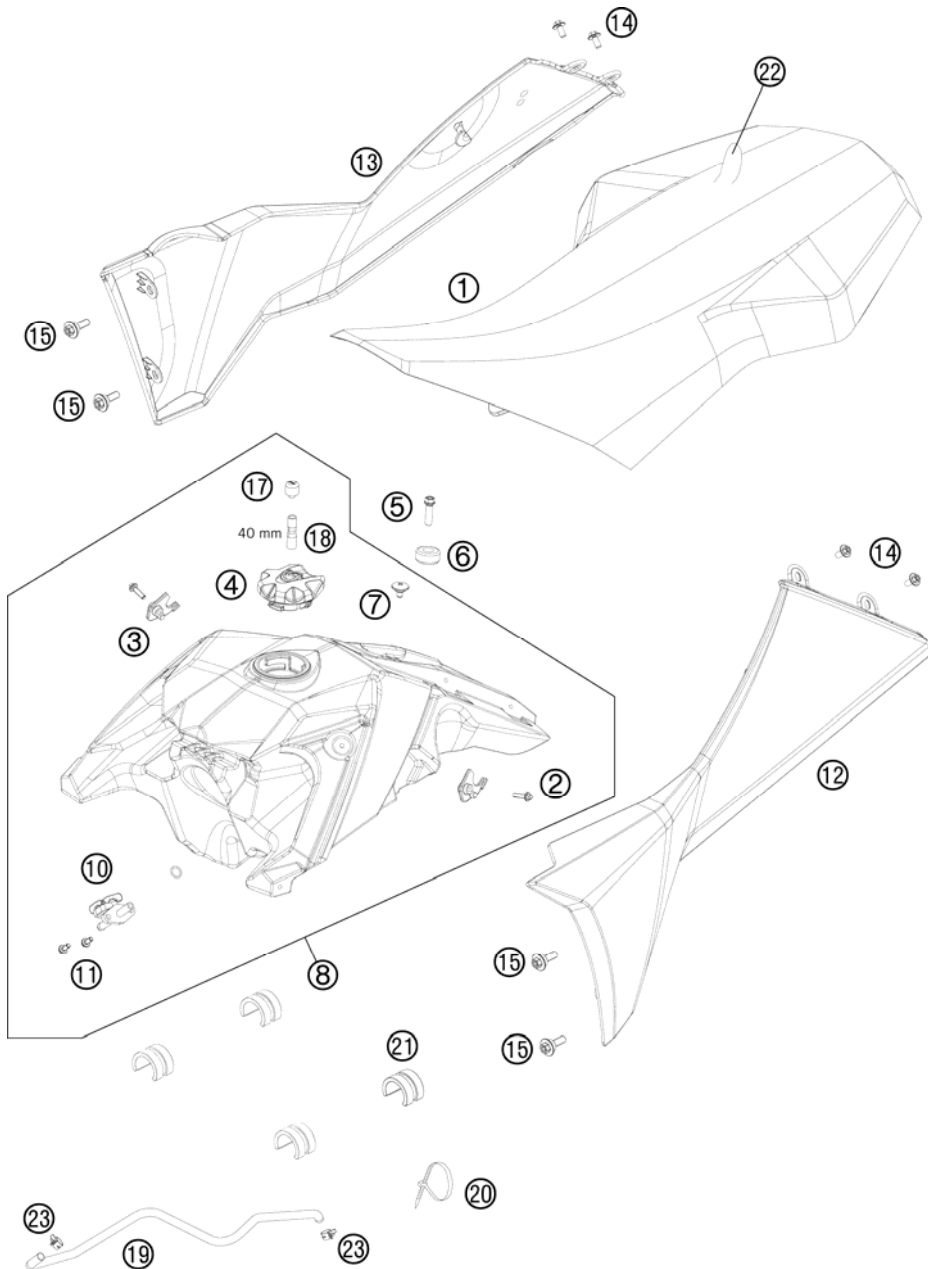
128300611 / C128300611

* NEW PART

X AS REQUIRED

TANK, SEAT, COVER

505 SX ATV 2012

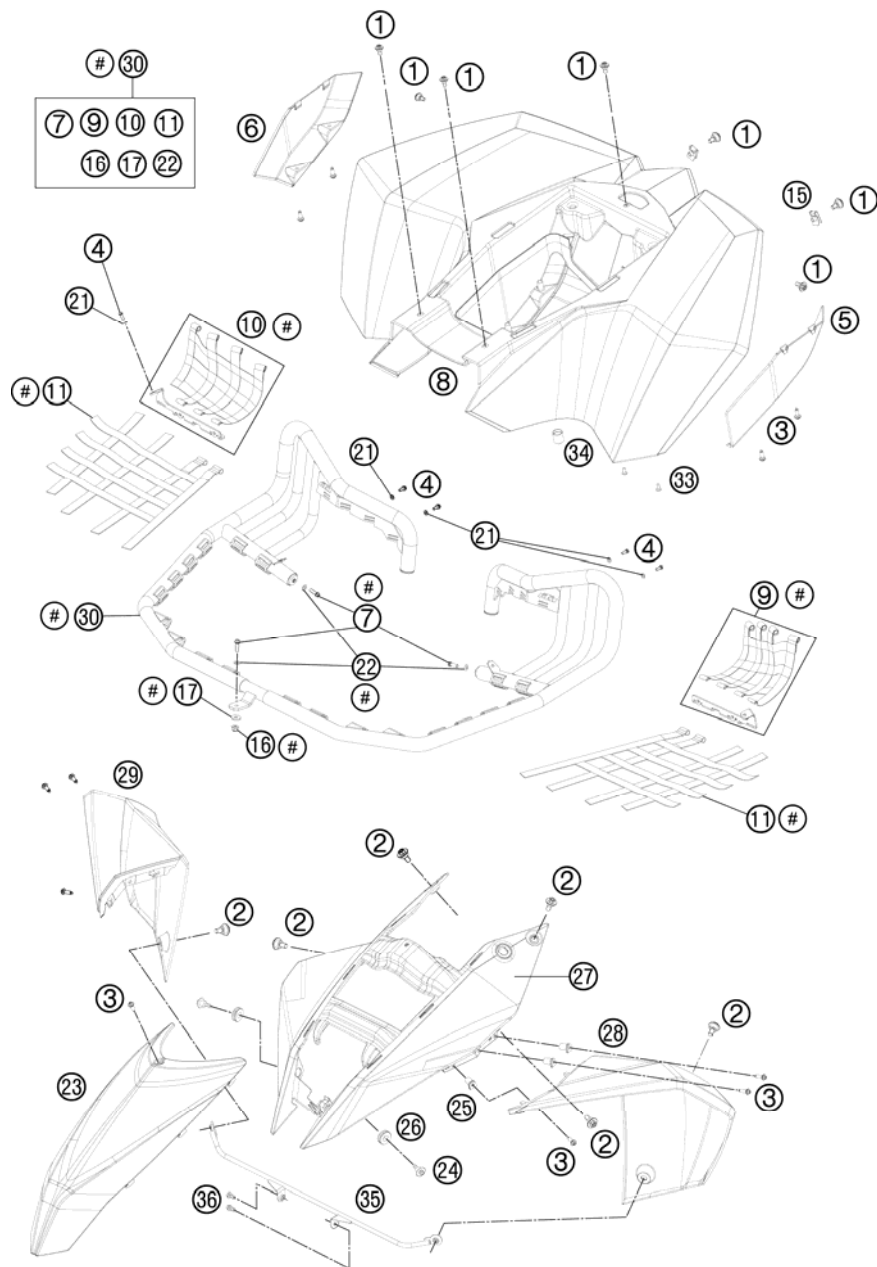


| FIG | PART NUMBER | DESCRIPTION | QTY |
|-----|---------------|-----------------------------|-----|
| 1 | 83507040000 | SEAT SX-F ATV 2009 | 1 |
| 2 | 0024050206 | HH COLLAR SCREW M5X20 TX 30 | 2 |
| 3 | 83007013050 | SPOILER BRACKET | 2 |
| 4 | 78007008044X4 | TANK PLUG ORANGE/BLACK | 1 |
| 5 | 0025060166 | HH COLLAR SCREW M6X16 TX30 | 1 |
| 6 | 50307014000 | TANK ROLLER 12X26X12 '98 | 1 |
| 7 | 58407011100 | SCREW FOR SEAT M6X11,5/8 | 1 |
| 8 | 8350711303330 | FUEL TANK CPL.10,5L | 1 |
| 10 | 50307005000 | GAS COCK MIKUNI ON/OFF 2001 | 1 |
| 11 | 0014050123 | HH COLLAR SCREW M 5X12 WS=6 | 2 |
| 12 | 8300805000030 | RADIATOR SPOILER L/S BLACK | 1 |
| 13 | 8300805100030 | RADIATOR SPOILER R/S BLACK | 1 |
| 14 | 0024060106 | HH COLLAR SCREW M6X10 TX30 | 4 |
| 15 | 83008100020 | SCREW M6X20X5,5 | 4 |
| 17 | 83007030000 | BLEEDING STUBBLE | 1 |
| 18 | 58307016001 | FUEL HOSE VITON 6X1,5 PER/M | x |
| 19 | 83507016000 | FUEL HOSE SX | 1 |
| 20 | 44011076200 | CABLE TIE 200/3,6MM BLACK | x |
| 21 | 61007014000 | SPACER FUEL TANK 05 | 4 |
| 22 | 83507040050 | SEAT COVER 09 | 1 |
| 23 | 00049140121 | CLAMP STD DN14 | 2 |

128300711 / C128300711

* NEW PART

X AS REQUIRED



| FIG | PART NUMBER | DESCRIPTION | QTY |
|-----|---------------|-------------------------------|-----|
| 1 | 83008000015 | SPECIAL SCREW M6X15X3 | 7 |
| 2 | 83008000012 | SPECIAL SCREW M6X12X3 | 6 |
| 3 | 0017060203 | EJOT PT SCREW K60X20 WS=6 | 11 |
| 4 | 0025060166 | HH COLLAR SCREW M6X16 TX30 | 6 |
| 5 | 8300807201004 | AIR INTAKE L/S ORANGE | 1 |
| 6 | 8300807202004 | AIR INTAKE R/S ORANGE | 1 |
| 7 | 0025080256 | HH COLLAR SCREW M8X25 TX40 | 1 |
| 8 | 8300807214404 | REAR FENDER+AIR INTAKE ORANGE | 1 |
| 9 | 83003095002 | WEBBING BACK LEFT NERFBAR | 1 |
| 10 | 83003096002 | WEBBING BACK RIGHT NERFBAR | 1 |
| 11 | 83003092107 | LOWER WEBBING FOR NERFBARS | 2 |
| 15 | 54603048100 | RANGE CHANGE METAL NUT M6 | 2 |
| 16 | 0926080003 | STOP NUT DIN6926 M8 SS | 1 |
| 17 | 0021080003 | WASHER DIN9021-A 8,4 | 1 |
| 21 | 0125060003 | WASHER DIN0125-A 6,4 | 6 |
| 22 | 0125080003 | WASHER DIN0125-A 8,4 | 3 |
| 23 | 8350800200030 | FRONT-COVER SX | 1 |
| 24 | 60035001000 | SPECIAL SCREW M6X21 WS=8 | 2 |
| 25 | 83008010060 | CLIP NUT EASY BOSS 60X2X7 | 6 |
| 26 | 41001052000 | RUBBER SLEEVE D=12MM | 2 |
| 27 | 8300800100104 | FRONT PLASTICPART ORANGE | 1 |
| 28 | 8300801000004 | FRONT FENDER L/S ORANGE | 1 |
| 29 | 8300801100004 | FRONT FENDER R/S ORANGE | 1 |
| 30 | 83003097100 | NERFBARS BIG | 1 |
| 33 | 0081050121 | SCREW FOR PLASTIC K50X12 T20 | 2 |
| 34 | 83006005000 | AIR FILTER BOX COVER | 1 |
| 35 | 83008010150 | FENDER-FRAME CONNECTION | 1 |
| 36 | 0025060106 | HH COLLAR SCREW M6X10 TX30 | 2 |

128300811 / C128300811

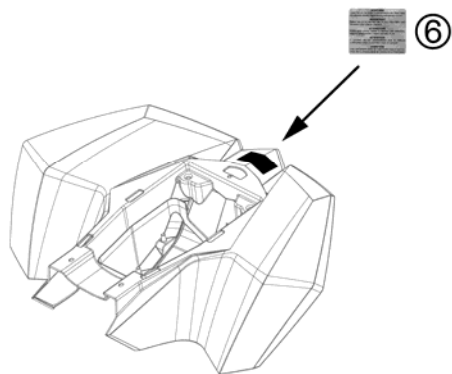
* NEW PART

X AS REQUIRED

| FIG | PART NUMBER | DESCRIPTION | QTY |
|-----|-------------|---------------------------|-----|
| 1 | 83608099000 | DECAL SET 505 ATV SX 2009 | 1 |
| 6 | 50307098000 | STICKER "OWNERS MANUAL" | 1 |



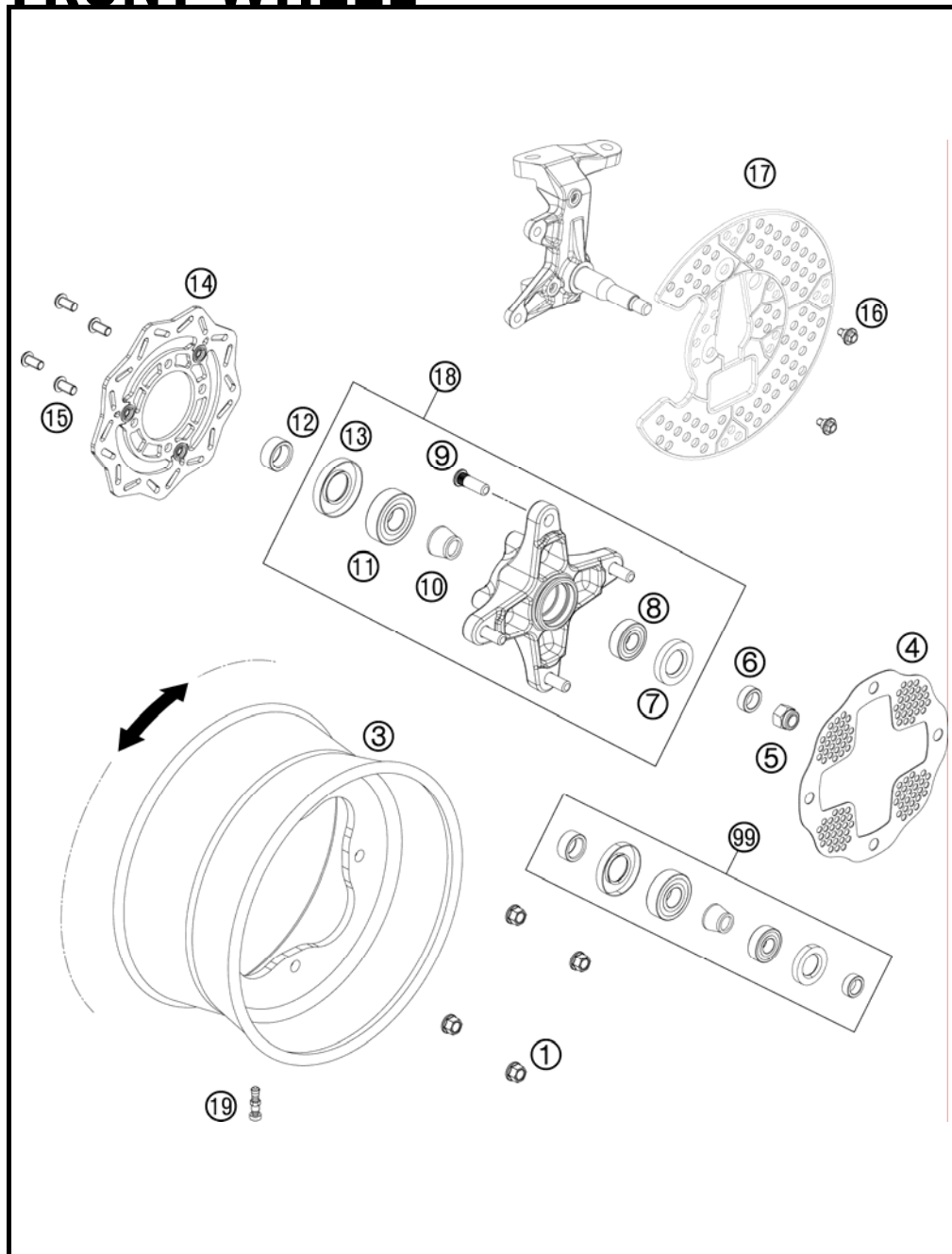
①



128300832 / C128300832

* NEW PART

X AS REQUIRED



| FIG | PART NUMBER | DESCRIPTION | QTY |
|-----|-------------|--------------------------------|-----|
| 1 | 58414030000 | HH COLLAR NUT M10X1,25 WS=13 | 8 |
| 3 | 83009070000 | RIM FRONT 10X5-5 | 2 |
| 4 | 83009066000 | OUTER BRAKE DISK PROTECTOR | 2 |
| 5 | 0985120003 | SELF LOCKING NUT DIN0985-M12 | 2 |
| 6 | 83009013000 | SPACER BUSHING | 2 |
| 7 | 0760224070 | SHAFT SEAL RING BSL 22X40X7NBR | 2 |
| 8 | 0625062028 | BALL BEARING 6202-2RSH/C3 | 2 |
| 9 | 83009016000 | WHEELBOLT | 8 |
| 10 | 83009014000 | BEARING SPACER BUSHING | 2 |
| 11 | 0625062047 | BALL BEARING 6204-2RSH/C3 | 2 |
| 12 | 83009015000 | SPACER BUSHING | 2 |
| 13 | 0760285270 | SHAFT SEAL RING BSL 28X52X7NBR | 2 |
| 14 | 83009060000 | BRAKE DISK | 2 |
| 15 | 0738080166S | FLAT HEAD SCREW ISO7380 M8X16 | 8 |
| 16 | 59001092050 | SPECIAL SCREW M6X12,5 WS=8 | 4 |
| 17 | 83009065100 | BRAKE DISK PROTECTOR | 2 |
| 18 | 83009010044 | FRONT WHEEL HUB CPL. SP 2008 | 2 |
| 19 | 83009076000 | VALVE | 2 |
| 99 | 00050010007 | FRONT WHEEL REP. KIT ATV | x |

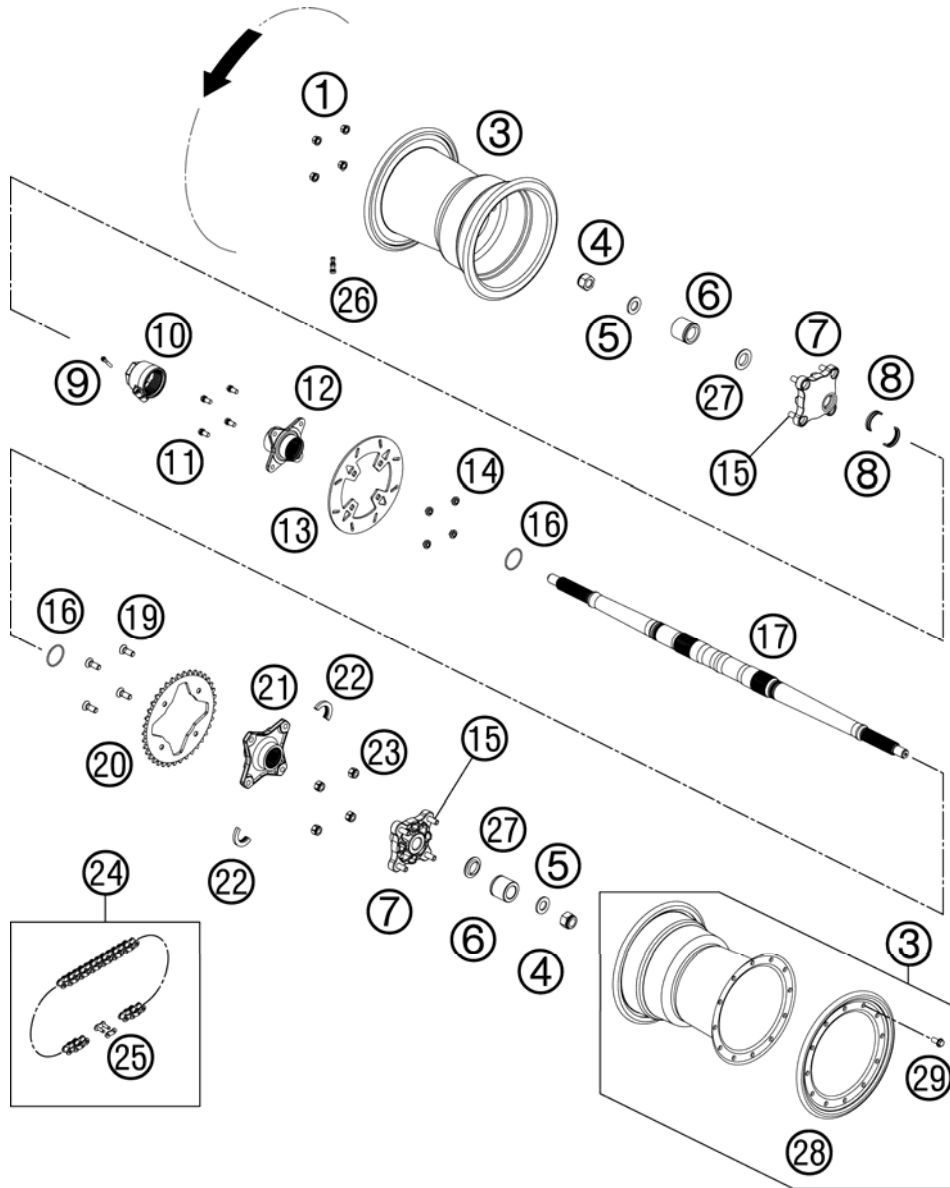
128300911 / C128300911

* NEW PART

X AS REQUIRED

REAR WHEEL

505 SX ATV 2012

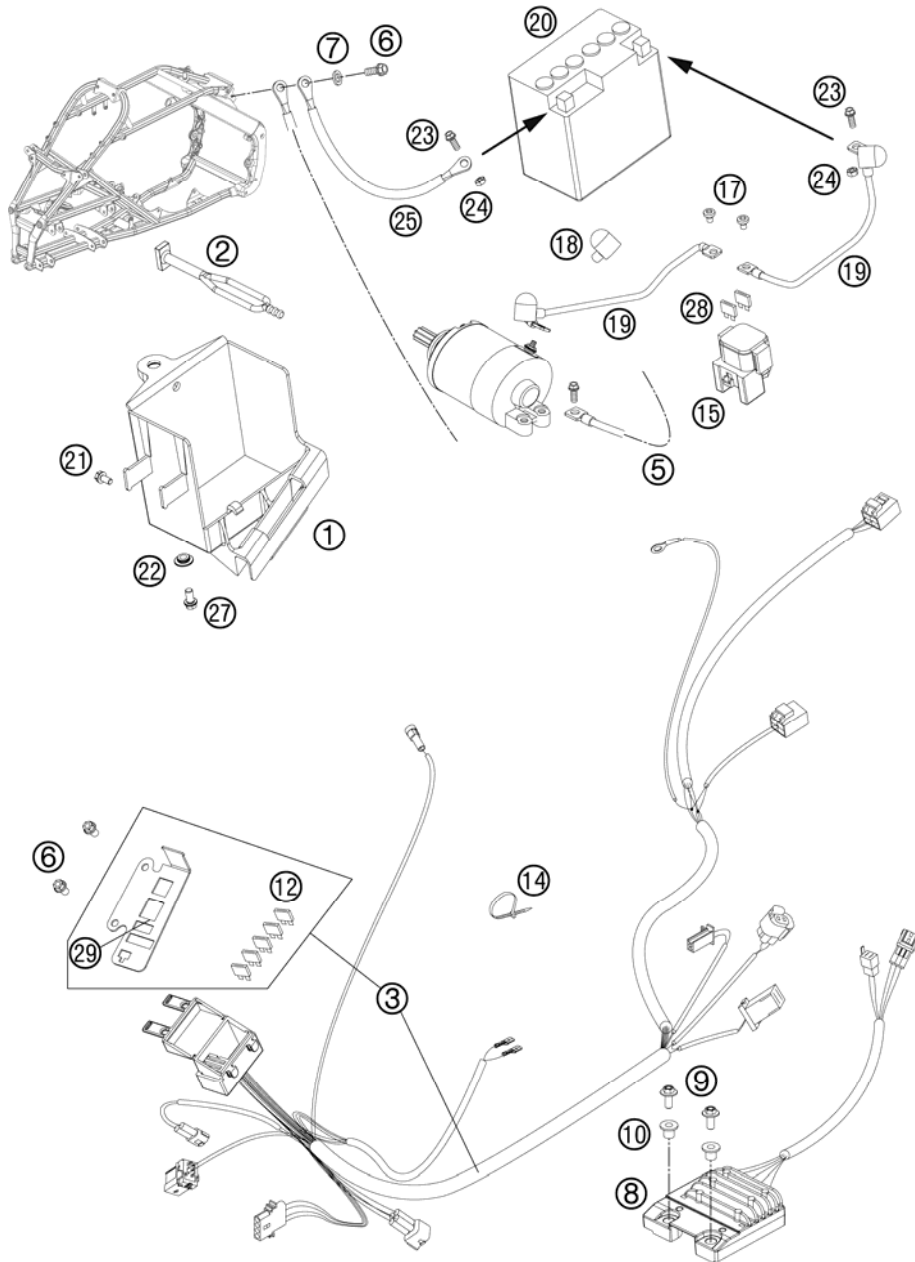


| FIG | PART NUMBER | DESCRIPTION | QTY |
|-----|-------------|--------------------------------|-----|
| 1 | 58414030000 | HH COLLAR NUT M10X1,25 WS=13 | 8 |
| 3 | 83510070000 | RIM REAR SX 09 | 2 |
| 4 | 0985181503 | SELF LOCK.NUT DIN0985-M18X1,5 | 2 |
| 5 | 83010021000 | TENSIONER RAIL DIN6796 D=19 | 2 |
| 6 | 83010013000 | SPACER BUSHING | 2 |
| 7 | 83010069044 | REAR WHEEL HUB CPL. | 2 |
| 8 | 83510063000 | CIRCLIP REAR AXLE | 2 |
| 9 | 0912060303 | AH SCREW DIN0912-M 6X30 | 1 |
| 10 | 83010064000 | TENSION NUT | 1 |
| 11 | 0025080166S | HH COLLAR SCREW M8X16 TX40 | 4 |
| 12 | 83010062000 | BRAKE DISK SUPPORT 08 | 1 |
| 13 | 83010060000 | BRAKE DISK REAR D=200 MM | 1 |
| 14 | 83010060050 | SPECIAL NUT BRAKE DISK FIXING | 4 |
| 15 | 83009016000 | WHEELBOLT | 4 |
| 16 | 07700390261 | O-RING 39,34X2,62 | 2 |
| 17 | 83510016000 | REAR AXLE SX | 1 |
| 19 | 60003004027 | FL.HEAD SCREW M10X1,25 L=27 03 | 4 |
| 20 | 83010051038 | SPROCKET 38T | x |
| 21 | 83010050000 | SPROCKET SUPPORT 08 | 1 |
| 22 | 83510063100 | CIRCLIP REAR AXLE SPROCKET | 2 |
| 23 | 0982101253 | SELF LOCK.NUT M10X1,25 | 4 |
| 24 | 50310165118 | CHAIN 5/8X1/4" MX | 1 |
| 25 | 50310166000 | CONNECTING LINK F. 50310165118 | 1 |
| 26 | 83009076000 | VALVE | 2 |
| 27 | 83010014000 | CONUSRING REAR AXLE | 2 |
| 28 | 83510090000 | RIM LOCK REAR ATV SX | 2 |
| 29 | 0025060206 | HH COLLAR SCREW M6X20 TX30 | 24 |

128301011 / C128301011

* NEW PART

X AS REQUIRED



| FIG | PART NUMBER | DESCRIPTION | QTY |
|-----|-------------|--------------------------------|-----|
| 1 | 83011055000 | BATTERY BOX | 1 |
| 2 | 50303018000 | RUBBER L=145MM | 1 |
| 3 | 83511275050 | WIRING HARNESS SX EU CPL. | 1 |
| 5 | 83011097100 | GROUND CABLE 2 | 1 |
| 6 | 0025060166 | HH COLLAR SCREW M6X16 TX30 | 3 |
| 7 | 58411098100 | CONTACT WASHER M6 VSV-K6 | 1 |
| 8 | 83011034100 | VOLTAGE REGULATOR | 1 |
| 9 | 0025060256 | HH COLLAR SCREW M6X25 TX30 | 2 |
| 10 | 83011034050 | COLLAR BUSHING 6.2X8.7X15X10.5 | 2 |
| 12 | 58011109110 | FUSE 10 A 2000 | 5 |
| 14 | 44011076140 | CABLE TIE 140/2,5MM BLACK | x |
| 14 | 44011076200 | CABLE TIE 200/3,6MM BLACK | x |
| 15 | 58211058000 | STARTER RELAY 12V '99 | 1 |
| 17 | 0902060083 | AH OVAL SCREW ISO 7380 M 6X8 | 2 |
| 18 | 58440099000 | PROTECTION CAP F. STARTER ENG. | 2 |
| 19 | 83011059000 | STARTER CABLE | 2 |
| 20 | 58511053000 | BATTERY 12V 4AH YTX5L-BS | 1 |
| 21 | 0025050126 | HH COLLAR SCREW M5X12 TX30 | 1 |
| 22 | 50308052000 | BUSH FOR SPOILER 6X11X16X5 MM | 1 |
| 23 | 0023060123 | COLLAR SCREW M6X12 TX | 2 |
| 24 | 0934060003 | HEXAGON NUT DIN0934-M 6 | 2 |
| 25 | 83011097000 | GROUND CABLE 1 | 1 |
| 27 | 0025060126 | HH COLLAR SCREW M6X12 TX30 | 1 |
| 28 | 58011109120 | FUSE 20 A | 2 |
| 29 | 61111057000 | RELAY CM1A-R-12V-H80 07 | 1 |

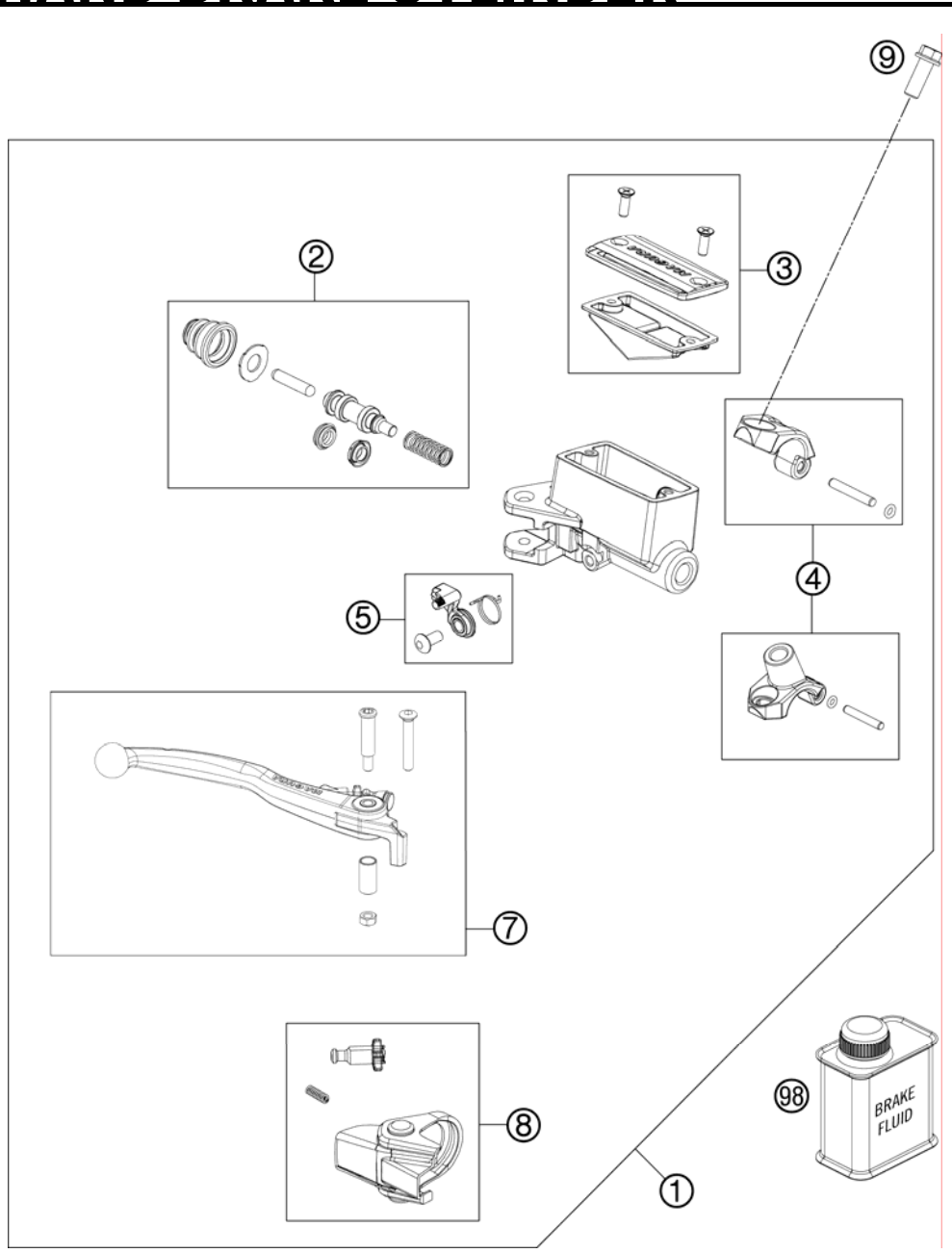
128301111 / C128301111

* NEW PART

X AS REQUIRED

HAND BRAKE CYLINDER

505 SX ATV 2012

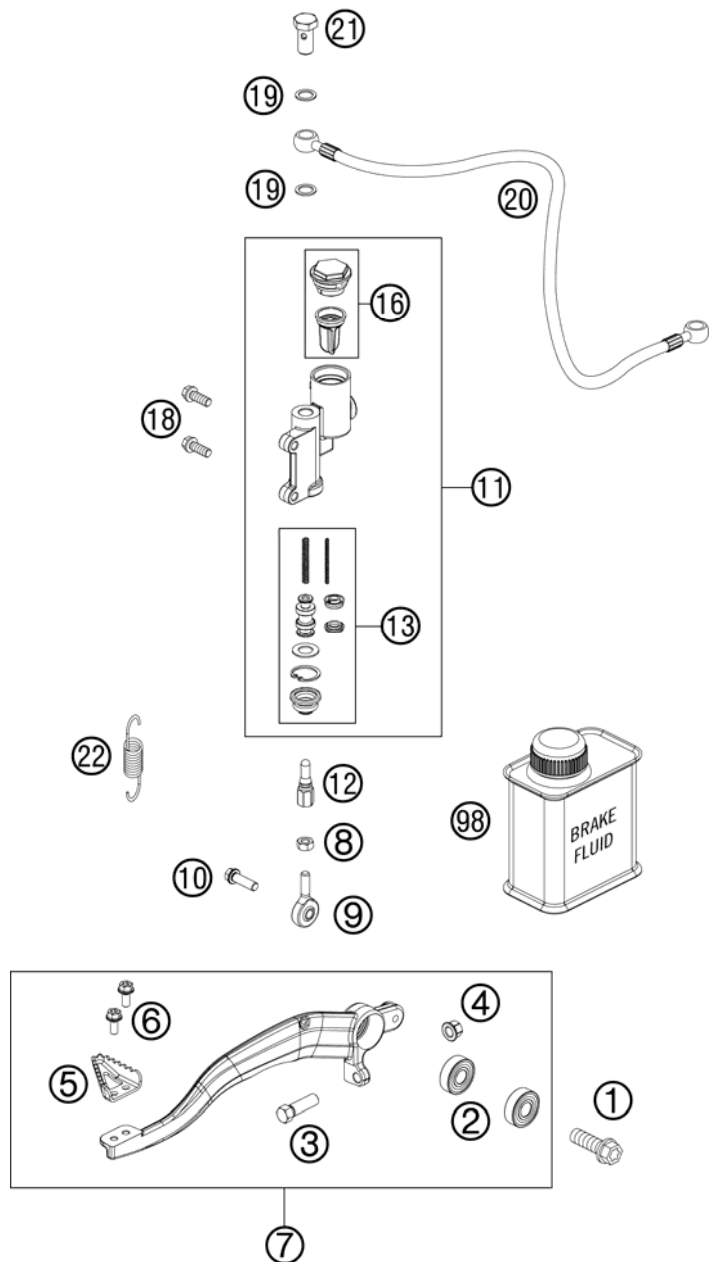


| FIG | PART NUMBER | DESCRIPTION | QTY |
|-----|-------------|--------------------------------|-----|
| 1 | 83013101000 | HAND BRAKE CYL. MAGURA 13MM | 1 |
| 2 | 83013108000 | REPAIR KIT PISTON MAGURA 13 MM | 1 |
| 3 | 83013003000 | COVER, MEMBRANE, SCREW | 1 |
| 4 | 83013005000 | CLAMP, CYL. PIN, O-RING | 1 |
| 4 | 83013105000 | MIRROR CLAMP CPL. | x |
| 5 | 83013009000 | ARRESTING LEVER, SPRING, SCREW | 1 |
| 7 | 83013002000 | HAND-BRAKE LEVER CPL. MAGURA | 1 |
| 8 | 83013004000 | CAP, ADJUSTING SCREW, SPRING | 1 |
| 9 | 0025060166 | HH COLLAR SCREW M6X16 TX30 | 1 |
| 98 | 00062030000 | BRAKE FLUID DOT5.1 0,25L | 1 |

128301311 / C128301311

* NEW PART

X AS REQUIRED



| FIG | PART NUMBER | DESCRIPTION | QTY |
|-----|-------------|--------------------------------|-----|
| 1 | 0035100309S | AH-COLLAR SCREW M10X30 ISA45 | 1 |
| 2 | 0625060002 | BALL BEARING SKF 6000-2RS1 | 2 |
| 3 | 59001037000 | SPECIAL SCREW M8X26 WS=10 | 1 |
| 4 | 46030045000 | COLLAR NUT M8 WS=10 | 1 |
| 5 | 60013051000 | STEP PLATE FOOT BRAKE LEVER 03 | 1 |
| 6 | 0025050126 | HH COLLAR SCREW M5X12 TX30 | 2 |
| 7 | 83013050044 | FOOT BRAKE LEVER CPL. ATV | 1 |
| 8 | 0985060003 | SELF LOCK. NUT DIN0985-M 6 | 1 |
| 9 | 54813055000 | SWIVEL HEAD KA6 03 | 1 |
| 10 | 0025060206 | HH COLLAR SCREW M6X20 TX30 | 1 |
| 11 | 83013060000 | FOOT BRAKE CYL. MAGURA 13MM | 1 |
| 12 | 83013056000 | PUSH ROD | 1 |
| 13 | 83013061000 | REPAIR KIT PISTON MAGURA 13 MM | 1 |
| 16 | 83013062000 | COVER, MEMBRANE MAGURA | 1 |
| 18 | 0025060166 | HH COLLAR SCREW M6X16 TX30 | 2 |
| 19 | 59413013050 | COPPER GASKET | 2 |
| 20 | 83013070100 | BRAKE HOSE REAR | 1 |
| 21 | 59032062000 | HOLLOW SCREW + COPPER GASKET | 1 |
| 22 | 54309036000 | RETURN SPRING L=38 MM | 1 |
| 98 | 00062030000 | BRAKE FLUID DOT5.1 0,25L | 1 |

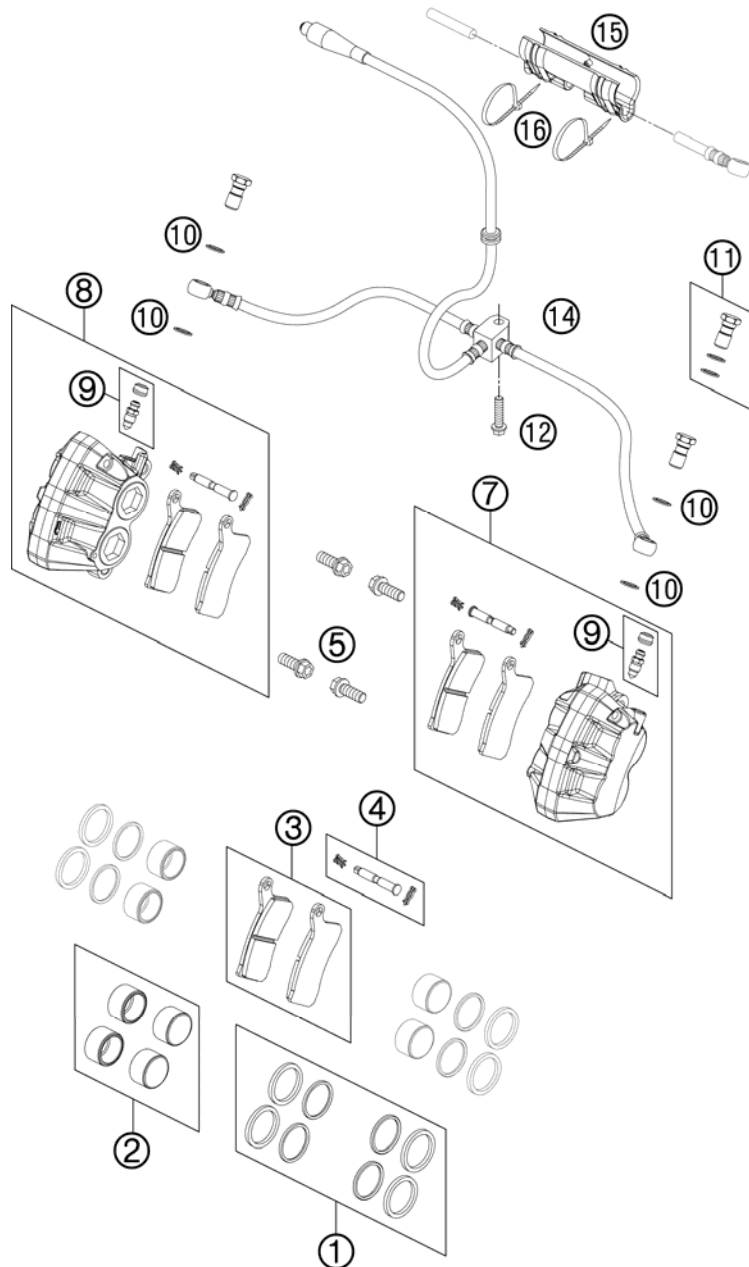
128301331 / C128301331

* NEW PART

X AS REQUIRED

BRAKE CALIPER FRONT

505 SX ATV 2012



| FIG | PART NUMBER | DESCRIPTION | QTY |
|-----|-------------|------------------------------|-----|
| 1 | 83013021000 | SEALING RING 8X MAGURA 26MM | 1 |
| 2 | 83013019000 | PISTON KIT 4X MAGURA 26MM | 1 |
| 3 | 83013030100 | BRAKE PAD SET FRONT ORGANIC | 2 |
| 4 | 83013017000 | SET - BOLT 1X, PIN 2X | 2 |
| 5 | 0025080206 | HH COLLAR SCREW M8X20 TX40 | 4 |
| 7 | 83013015100 | BRAKE CALIPER FRONT L/S | 1 |
| 8 | 83013016100 | BRAKE CALIPER FRONT R/S | 1 |
| 9 | 54732064000 | BLEEDER SCREW WITH CAP | 2 |
| 10 | 59413013050 | COPPER GASKET | 4 |
| 11 | 59032062000 | HOLLOW SCREW + COPPER GASKET | 2 |
| 12 | 0025060256 | HH COLLAR SCREW M6X25 TX30 | 1 |
| 14 | 83513012000 | BRAKE HOSE FRONT SX | 1 |
| 15 | 83013012050 | BRAKE LINE GUIDE | 2 |
| 16 | 44011076305 | CABLE TIE 300/4,8MM BLACK | x |

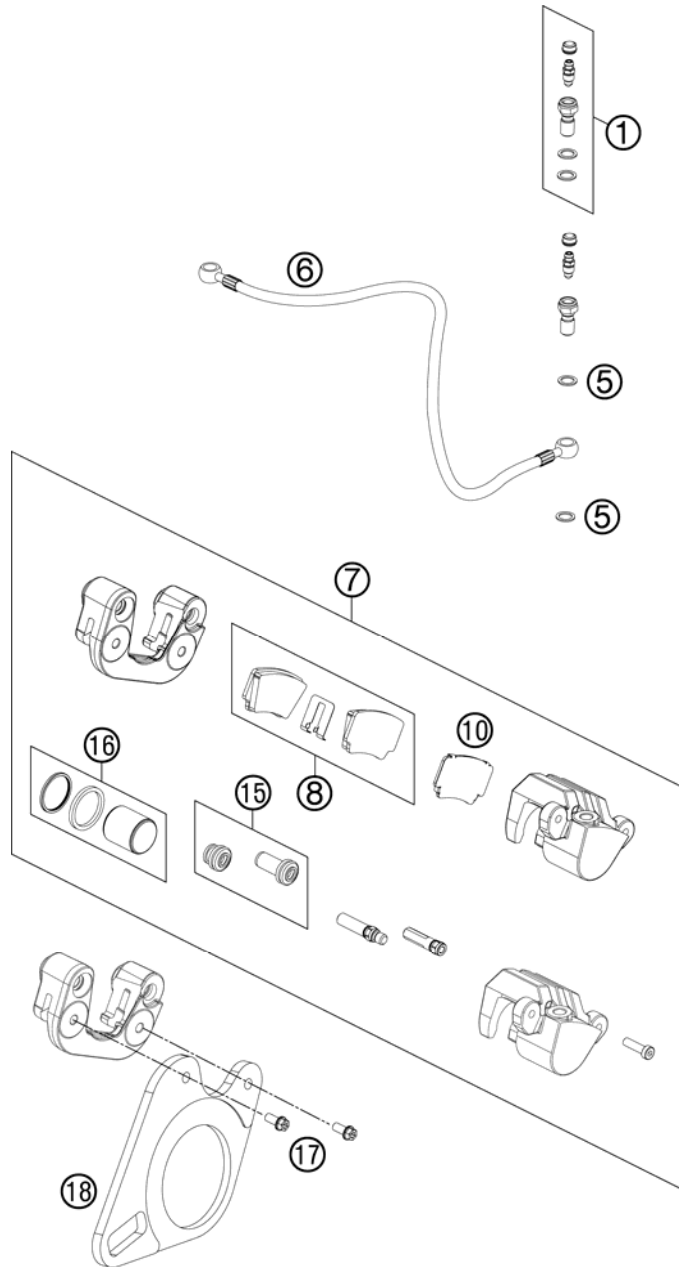
128301361 / C128301361

* NEW PART

X AS REQUIRED

BRAKE CALIPER REAR

505 SX ATV 2012

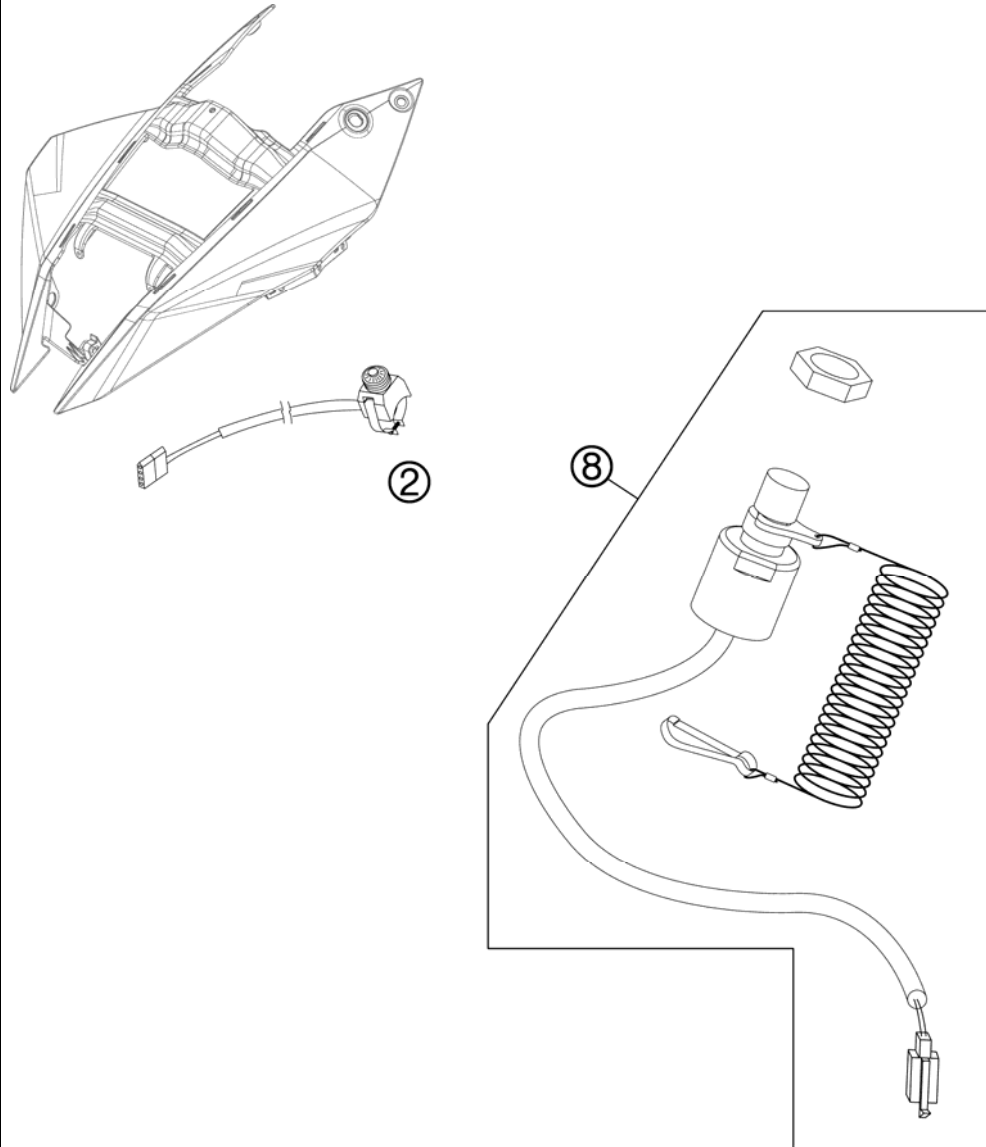


| FIG | PART NUMBER | DESCRIPTION | QTY |
|-----|-------------|-------------------------------|-----|
| 1 | 50332062000 | HOLLOW SCREW CPL. M 10X1 '98 | 1 |
| 5 | 59413013050 | COPPER GASKET | 2 |
| 6 | 83013070100 | BRAKE HOSE REAR | 1 |
| 7 | 83013080100 | BRAKE CALIPER REAR | 1 |
| 8 | 83013090300 | BRAKE PAD SET REAR | 1 |
| 10 | 83013089000 | ISOLATOR CPL. | 1 |
| 15 | 83013084000 | CUP SET | 1 |
| 16 | 83013081000 | REPAIR KIT PISTON MAGURA 28MM | 1 |
| 17 | 0025080206 | HH COLLAR SCREW M8X20 TX40 | 2 |
| 18 | 83013046200 | BRAKE CALIPER SUPPORT PLATE | 1 |

128301390 / C128301390

* NEW PART

X AS REQUIRED

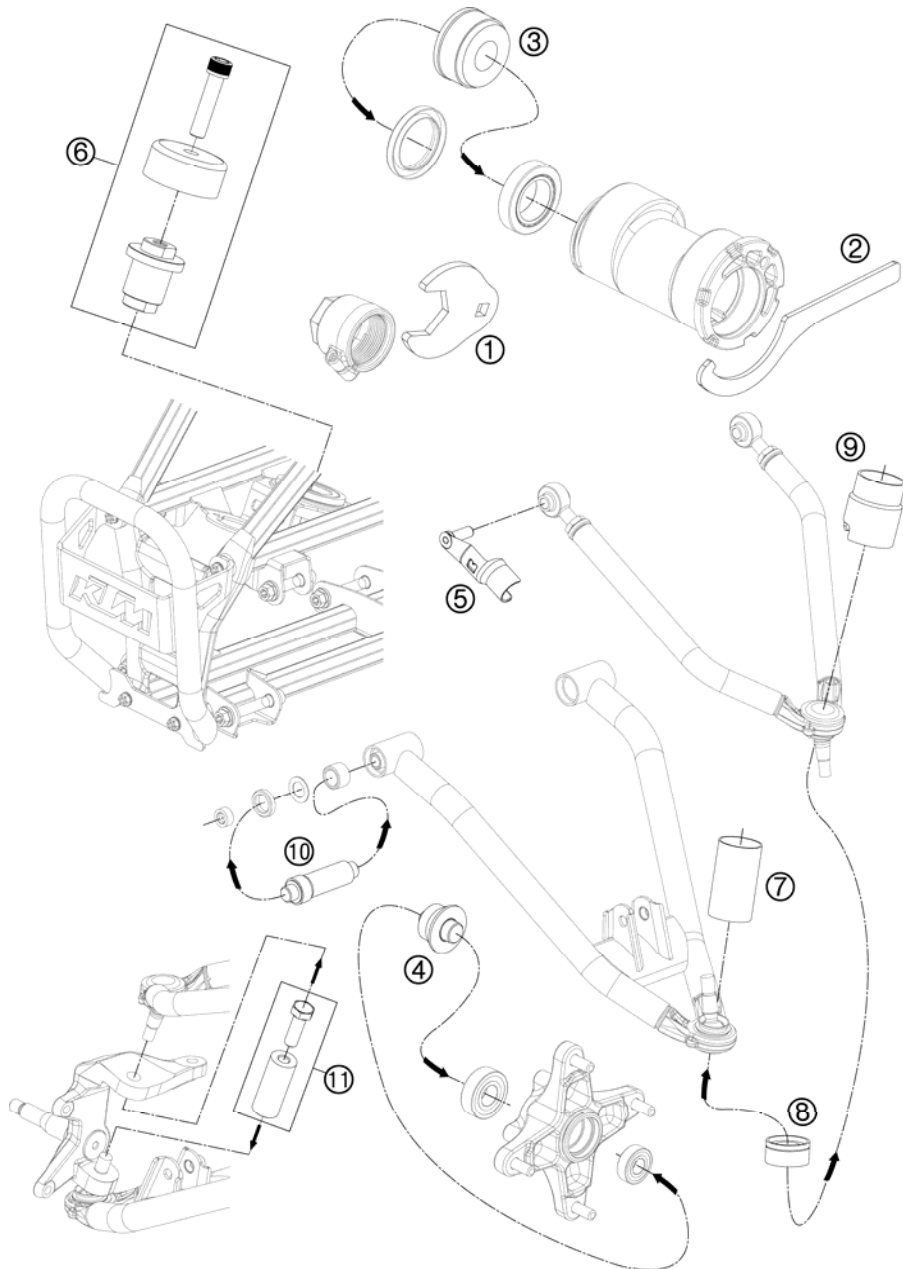


| FIG | PART NUMBER | DESCRIPTION | QTY |
|-----|-------------|----------------|-----|
| 2 | 63011074000 | STARTER BUTTON | 1 |
| 8 | 83011089000 | TETHER SWITCH | 1 |

128301431 / C128301431

* NEW PART

X AS REQUIRED



| FIG | PART NUMBER | DESCRIPTION | QTY |
|-----|-------------|--------------------------------|-----|
| 1 | 83019010461 | OPEN END WRENCH 46MM 1/2"DRIVE | 1 |
| 2 | 83019011000 | HOOK WRENCH F.BEARING ADJUSTM. | 1 |
| 3 | 83019012000 | PRESS TOOL FOR REAR EXCENTRIC | 1 |
| 4 | 83019013000 | PRESS TOOL FR. WHEEL HUB BEAR. | 1 |
| 5 | 83019014000 | CAL. F. CASTOR-/CAMBER ADJUST. | 1 |
| 6 | 83019020000 | PRESS TOOL FOR STEERING BEAR. | 1 |
| 7 | 83019020100 | WITHDRAWING SLEEVE BALL-HEAD | 1 |
| 8 | 83019020130 | PRESS TOOL FOR A-ARM BALL-HEAD | 1 |
| 9 | 83019020150 | SUPPORT DE/MOUNTING BALL-HEAD | 1 |
| 10 | 83019020170 | PRESS TOOL A-ARM NEEDLE BEAR. | 1 |
| 11 | 83019021000 | PRESS OUT TOOL CPL. | 1 |

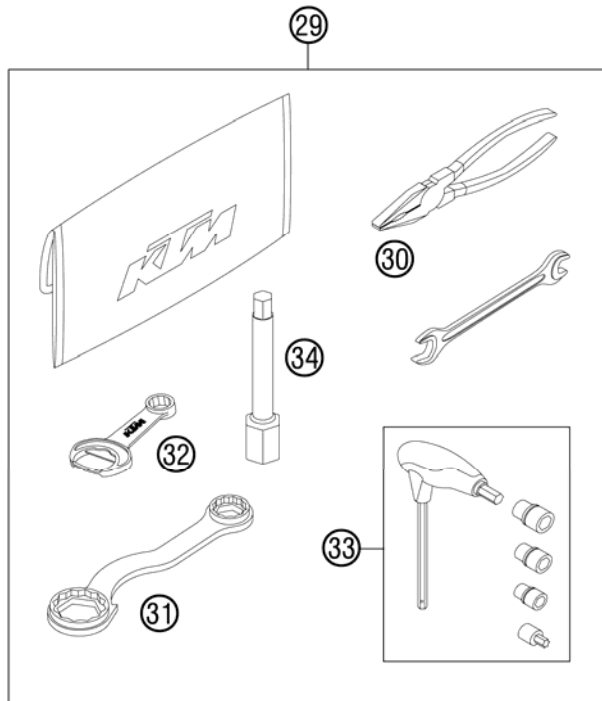
128301910 / C128301910

* NEW PART

X AS REQUIRED

①
OHNE ABBILDUNG
WITHOUT ILLUSTRATION

①
TECHNISCHE DOKUMENTATION
TECHNICAL DOCUMENTATION
DOCUMENTACION TECNICA
DOCUMENTATION TECHNIQUE
NOTE TECNICHE



| FIG | PART NUMBER | DESCRIPTION | QTY |
|-----|--------------|--------------------------------|-----|
| 0 | 00063099111 | BAG FOR INSTRUCTION MANUAL | 1 |
| 0 | 312305 | DOCUMENTS BAG 2006 | 1 |
| 0 | 312313 | KTM BALLPOINT PEN ORANGE | 1 |
| 0 | 3210039 | * CUSTOMER WELCOME LETTER | 1 |
| 0 | 3212361DE/GB | PP OFFROAD FOLDER 2012 | 1 |
| 0 | 3212365GB | POWER WEAR TEASER 2012 | 1 |
| 0 | 44011076200 | CABLE TIE 200/3,6MM BLACK | 2 |
| 0 | 58511053000 | BATTERY 12V 4AH YTX5L-BS | 1 |
| 0 | 77202002100 | BAR PAD CPL. | 1 |
| 0 | 83003097100 | NERFBARS BIG | 1 |
| 0 | 83009066000 | OUTER BRAKE DISK PROTECTOR | 2 |
| 0 | 83019014000 | CAL. F. CASTOR-/CAMBER ADJUST. | 1 |
| 1 | 3211728EN | OWN. MAN. 505 SX-ATV | 1 |
| 29 | 77329099000 | BORDTOOL 07 | 1 |
| 30 | 53012028200 | GRIP ORANGE B&F | 1 |
| 31 | 50329080100 | WRENCH SW=17/21/27/32 B&F | 1 |
| 32 | 50329071100 | WRENCH WS=13 B&F + OPENER | 1 |
| 33 | 60029070200 | T-WRENCH WS=6/8/10 TX=45 B&F | 1 |
| 34 | 77029072000 | SPARK PLUG KEY 250 SX-F | 1 |

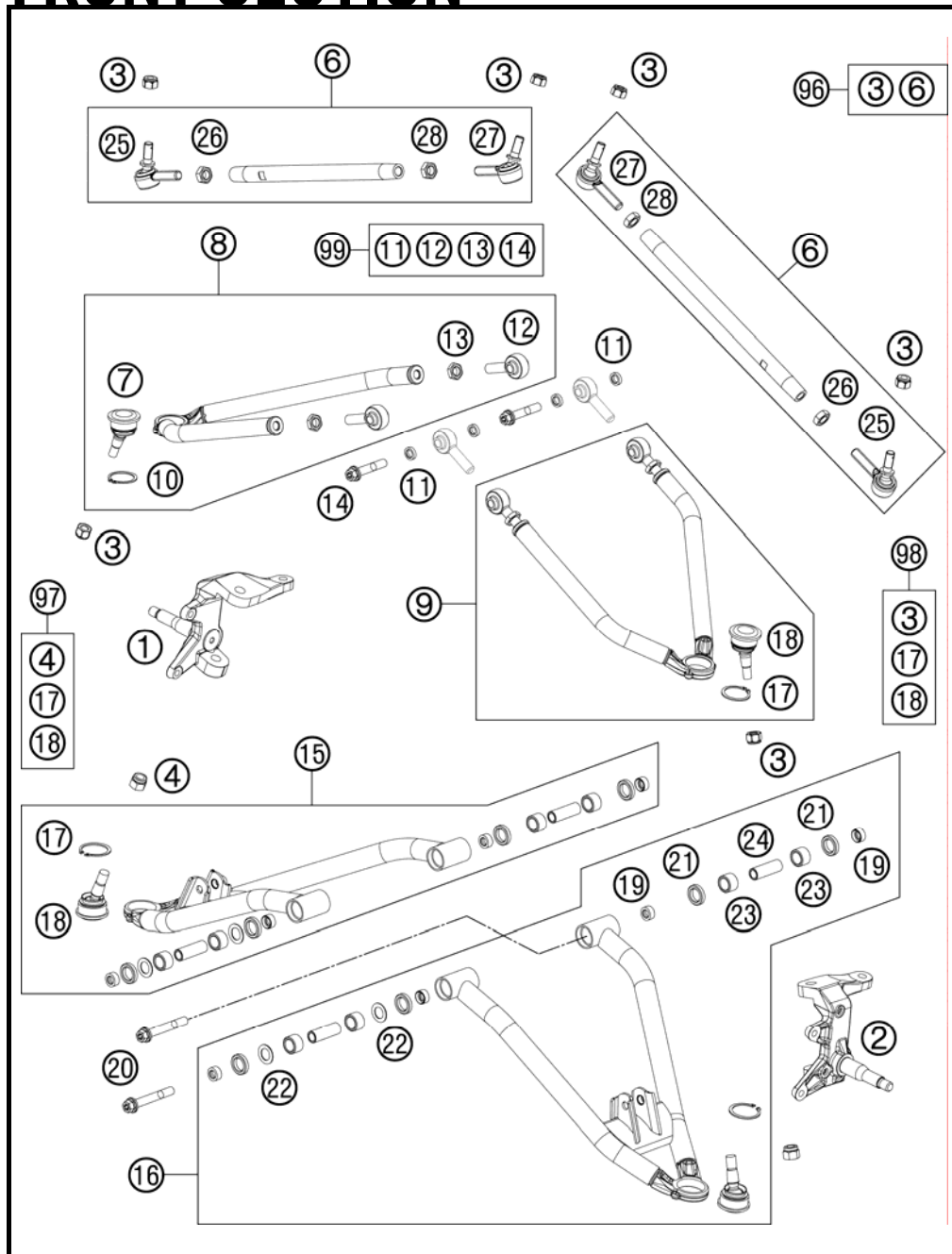
128302000 / C128302001

* NEW PART

X AS REQUIRED

FRONT SECTION

505 SX ATV 2012



| FIG | PART NUMBER | DESCRIPTION | QTY |
|-----|-------------|------------------------------|-----|
| 1 | 83061006200 | % WHEEL CARRIER R/S CPL. | 1 |
| 2 | 83061005200 | WHEEL CARRIER L/S CPL. | 1 |
| 3 | 0982101253 | SELF LOCK.NUT M10X1,25 | 6 |
| 4 | 83061005025 | SELF LOCK.NUT M12X1,5 | 2 |
| 6 | 83561010044 | TRACK RODS CPL. SX | 2 |
| 7 | 83061001050 | BALL HEAD M10X1,25 | 2 |
| 8 | 83061103044 | A-ARM TOP RIGHT CPL. SX | 1 |
| 9 | 83061101044 | A-ARM TOP LEFT CPL. SX | 1 |
| 10 | 0471320150 | CIRCLIP DIN0471-32X1,5 | 2 |
| 11 | 83061001025 | SPACER BUSHING F. BALLJOINT | 8 |
| 12 | 83061001051 | SWIVEL HEAD | 4 |
| 13 | 0936120123 | HEXAGON NUT DIN 936 M12x1,25 | 4 |
| 14 | 0023100523 | COLLAR SCREW M10X52 TX | 4 |
| 15 | 83061104044 | A-ARM BOTTOM RIGHT CPL. SX | 1 |
| 16 | 83061102044 | A-ARM BOTTOM LEFT CPL. SX | 1 |
| 17 | 0471350150 | CIRCLIP DIN0741-35X1,5 | 2 |
| 18 | 83061002050 | BALL HEAD M12X1,5 | 2 |
| 19 | 83061034000 | BUCKET F. SHAFT SEAL RING | 8 |
| 20 | 0023100703 | COLLAR SCREW M10X70 TX | 4 |
| 21 | 0760172660 | SHAFT SEAL RING 17X26X6 | 8 |
| 22 | 83061015000 | STOP DISK 15,2X25,7X1 | 4 |
| 23 | 83061079000 | NEEDLE BEARING HMK 1515 | 8 |
| 24 | 83061032000 | BUSHING SLEEVE F. A/ARM | 4 |
| 25 | 83061010002 | BALL HEAD TRACK RODS RIGHT | 2 |
| 26 | 83061010004 | NUT RIGHT | 2 |
| 27 | 83061010001 | BALL HEAD TRACK RODS LEFT | 2 |
| 28 | 83061010003 | NUT LEFT | 2 |
| 29 | 83014051000 | SPEEDOMETER BRACKET | 1 |
| 30 | 0025060126 | HH COLLAR SCREW M6X12 TX30 | 1 |
| 96 | 00050010011 | TRACK ROD KIT CPL. ATV | x |
| 97 | 00050010008 | BALL JOINT KIT LOWER ATV | x |
| 98 | 00050010009 | BALL JOINT KIT UPPER ATV | x |
| 99 | 00050010010 | UPPER A ARM SWIVEL HEAD KIT | x |

128306110 / C128306111

* NEW PART

X AS REQUIRED







KTM-Sportmotorcycle AG
A-5230 Mattighofen
www.ktm.at

KTM Group Partner



3CF8500LQEN



Art.Nr.: 3CF8500LQEN 8/2011