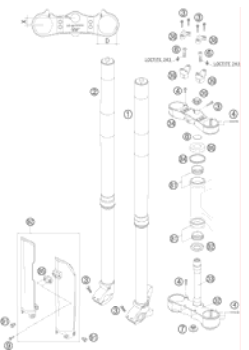

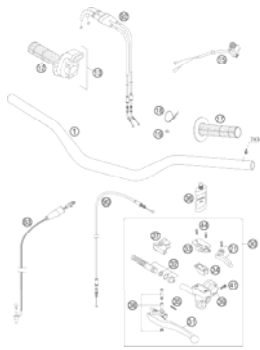
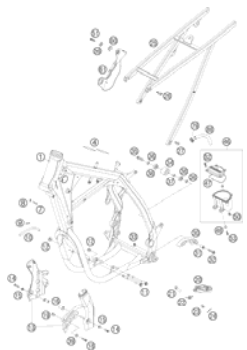
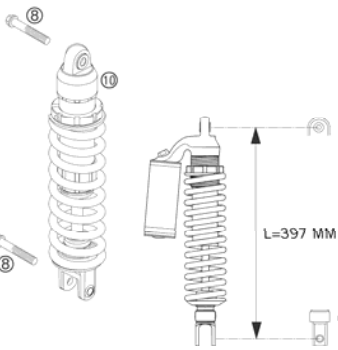
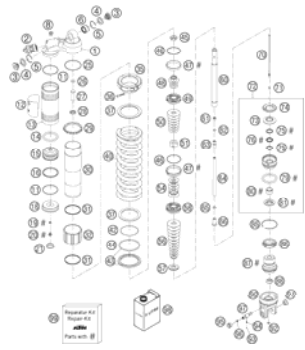

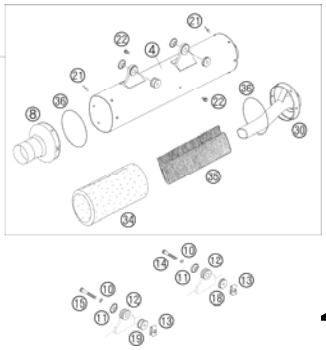
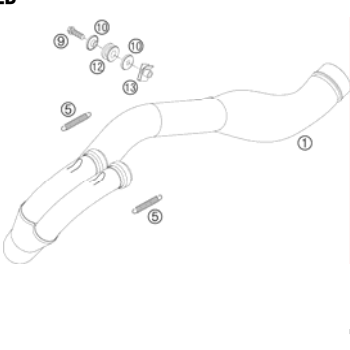
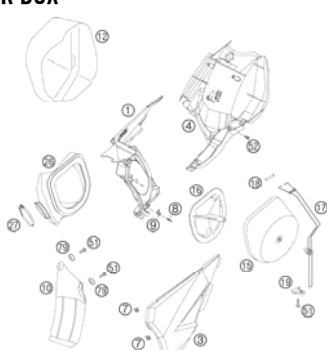
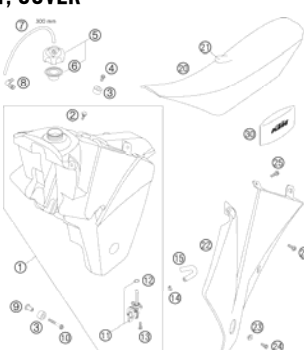
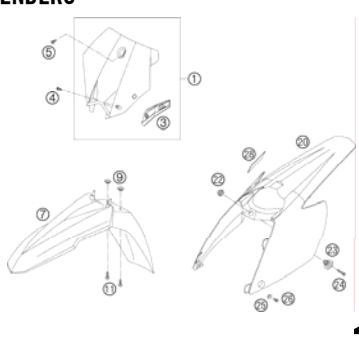


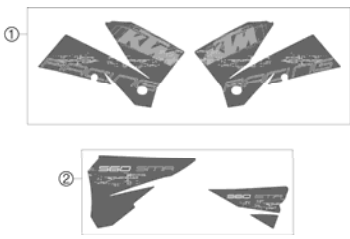
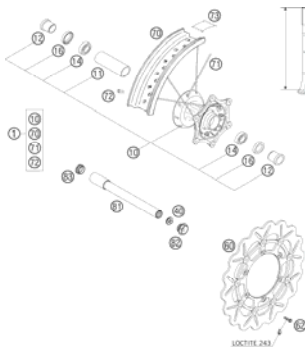
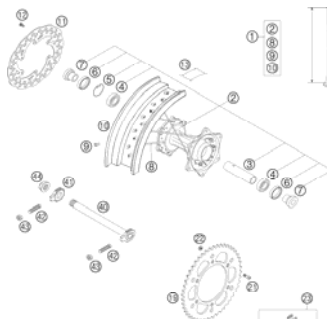
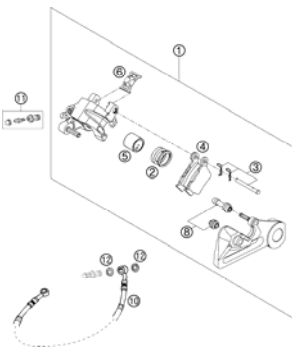
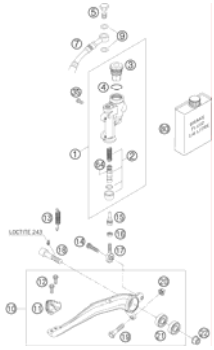
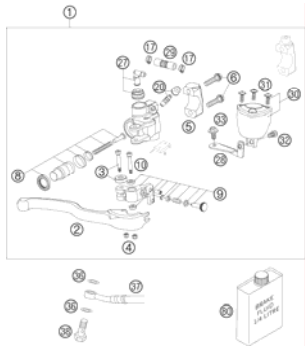
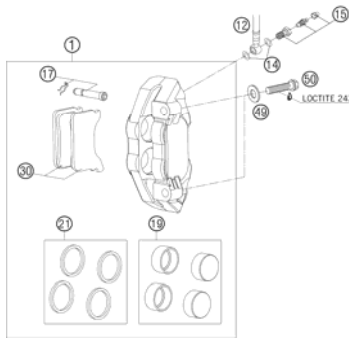
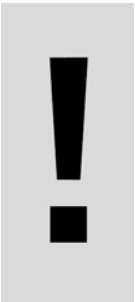
SPARE PARTS MANUAL: CHASSIS

ART.NO.: 3CF8503F0EN

ENGLISH



<p>TELESCOPIC FORK</p>  <p>3</p>	<p>FORK LEGS WP USD 48</p>  <p>4</p>	<p>HANDLEBAR, CONTROLS</p>  <p>7</p>	<p>FRAME, SUB FRAME</p>  <p>8</p>
<p>SHOCK ABSORBER</p>  <p>10</p>	<p>SHOCK ABSORBER DISASSEMBLED</p>  <p>11</p>	<p>SWING ARM</p>  <p>14</p>	<p>SILENCER</p>  <p>15</p>
<p>MANIFOLD</p>  <p>16</p>	<p>AIR FILTER BOX</p>  <p>17</p>	<p>TANK, SEAT, COVER</p>  <p>18</p>	<p>MASK, FENDERS</p>  <p>19</p>

DECAL  20	FRONT WHEEL  21	REAR WHEEL  22	REAR BRAKE CALIPER  23
REAR BRAKE CONTROL  24	HAND BRAKE CYLINDER  25	BRAKE CALIPER FRONT  26	
	 <p>All information contained is without obligation. KTM-Sportmotorcycle AG particularly reserves the right to modify any equipment, technical specifications, prices, colors, shapes, materials, services, service work, constructions, equipment and the like so as to adapt them to local conditions or to cancel any of the above items, all without previous announcement and without giving reasons. KTM may stop manufacturing certain models without previous notice. KTM shall not be held liable for any deviations of availability and/or ability to deliver, illustrations, descriptions, printing and/or other errors. The illustrated models partly contain extra equipment, which is not applied to standard models. © 2004 by KTM-SPORTMOTORCYCLE AG, Mattighofen AUSTRIA; All rights reserved; Reprint, also in extracts, with written allowance of KTM-SPORTMOTORCYCLE AG, Mattighofen only.</p>		

TELESCOPIC FORK

560 SMR 2006

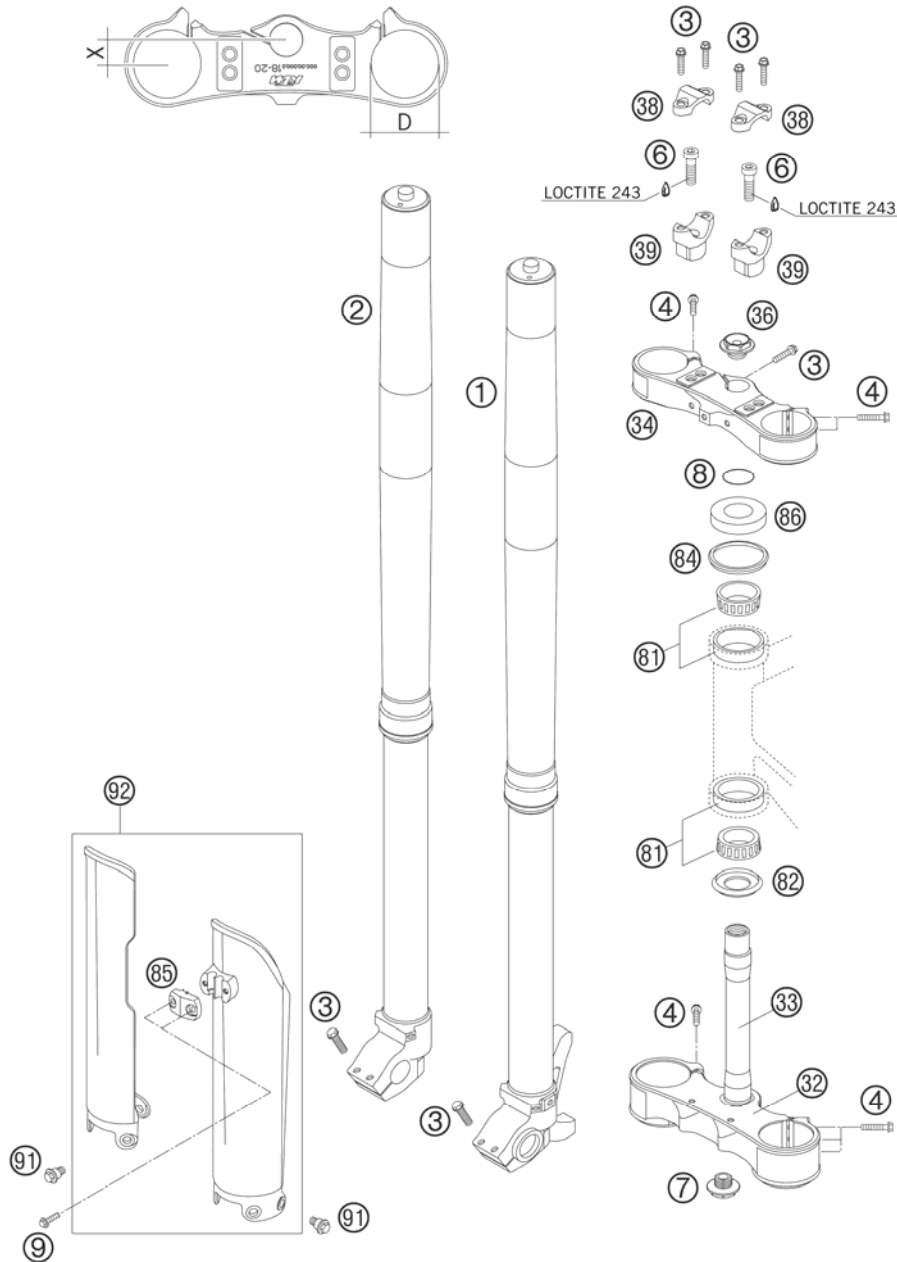


FIG	PART NUMBER	DESCRIPTION	QTY
1*	14187B18LS	FORK LEG L/S WP SMR 06	1
2*	14187B18RS	FORK LEG R/S WP SMR 06	1
3*	0015080256S	HH COLLAR SCREW M8X25 WS=10 06	9
4	0015080353	HH COLLAR SCREW M 8X35 WS=10	10
6	0912100356	AH SCREW DIN6912-M10X35 10.9	2
7	54801036100	STE.HEAD SCR. M20X1,5 WS=27 SL SELF-LOCKING	1
8	0770025035	O-RING 25X3,55 NBR70 05	1
9	0017060204	EJOT PT SCREW K60X20 ALU WS=6	2
32	59401031019	BOTTOM TRIPLE CLAMP D=60MM 05	1
33	59401033000	FORK TUBE L=237MM 05	1
34	59401034019	TOP TRIPLE CLAMP D=54MM 05	1
36	54801036000	STEER.HEAD SCREW M20X1,5 WS=27	1
38	59401038000	HANDLEBAR CLAMP 28MM 05	2
39	59401039032	HANDLEB.SUPP. D=28MM H=32MM 05	x
39	59401039037	HANDLEB.SUPP. D=28MM H=37MM 05	2
39	59401039042	HANDLEB.SUPP. D=28MM H=42MM 05	x
81	54201081000	TAPERED ROLLER BEARING CPL.	2
82	54601084100	O-RING SUPPORT W. SEALING LIP	1
84	54601184000	STEERING HEAD GASKET TOP	1
85*	5900108510004	CLAMP F.SPEED.CABLE ORANGE 06	1
86	54201086000	STEERING HEAD COVER	1
91	59001092050	SPECIAL SCREW M6X12,5 WS=8	6
92*	5900109400004	FORK PROTECTION L/S ORANGE 02	1

065930100 / C065930100

* NEW PART

X AS REQUIRED

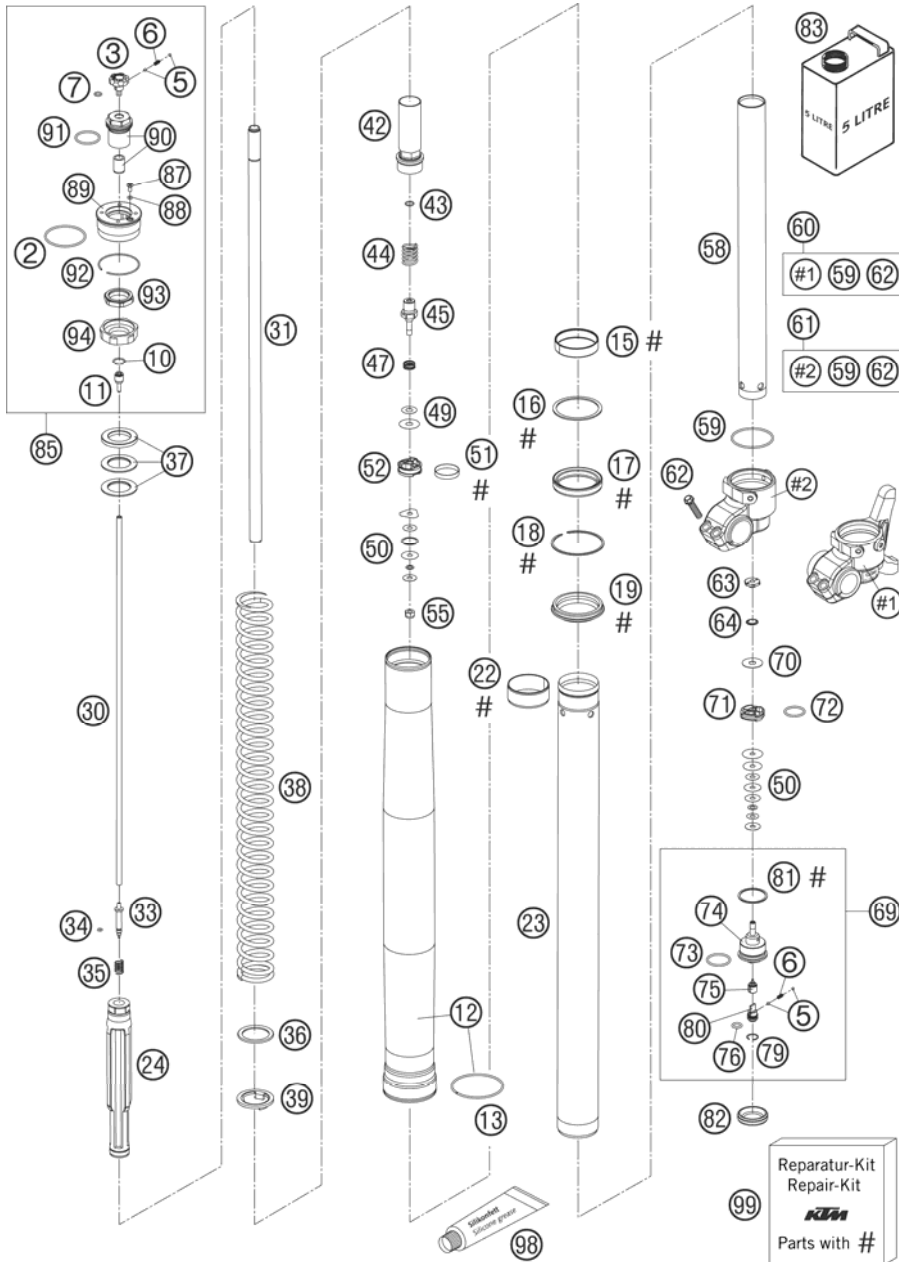


FIG	PART NUMBER	DESCRIPTION	QTY
2	46810340	O-RING NBR 45X2	2
3	48600018	KNOB REBOUNG ADJUSTER	2
5	40540603	STEEL BALL D=3MM	8
6	48600028	SPRING D=2,9 L=7,9	4
7	48600044	O-RING NBR 6X1,5	2
10	48600043	O-RING NBR 12X1,5	2
11	48600019	HOLDER F.ADJUSTMENT TUBE D=4MM	2
12*	48600492E	OUTER TUBE L=577 D=54/60	2
13	48600016	GUIDING RING D=58MM	2
15*	48600429	DU-BUSH D48XD52X12DDL02	2
16	48600013	SUPPORT RING 50 X 57,6 X 1,5	2
17	48600399	OIL SEAL RING 48X57,8X9,5	2
18	48600070	LOCK WASHER SB58	2
19	48600400	DUST STRIPPER D=48 58,4X11,8	2
22*	48600428	DU-BUSH D47XD49X20DDL02	2
23*	48600437	INNER TUBE D=48 L=595	2
24	48600380S	HYDR.STOP L=200MM D=31,9 CPL.	2
30	48600094	ADJUSTMENT TUBE L=492MM	2
31	48600412	PISTON ROD 14X11X1 L=526	2
33	48600189	NEEDLE REBOUND 2003	2
34	48600046	O-RING NBR 3X1,5	2
35	48600033	SPRING REBOUND NEEDLE C=4N/MM	2
36	48600113	WASHER 32X42X2,5	2
37	48600036	SPACER 42X26,5X2,5	2
37	48600037	SPACER 42X26,5X5	2
37	48600053	SPACER 42X26,5X1,5	2
38	91410006S	SPRING 4,4N/MM SET D=5,1MM	x
38	91410019S	SPRING 4,6N/MM SET D=5,1MM	1
38	91410020S	SPRING 4,8N/MM SET D=5,25 MM	x
39	48600021	INTERM. RING 26,2 X 43 X 3	2
42	48600200S	SCREW SLEEVE M29,3X1 L=65 CPL.	2
43	48600239	O-RING NBR 8X1,25	2
44	48600261	REBOUND SPRING 34,5X15X11	2
45	48600203	TAB REBOUND D=3 03	2
47*	35480377	SPRING CHECK VALVE D=0,5	2
49	48600062	CHECK VALVE 8X24X0,1	x

065930101 / C065930101

* NEW PART

X AS REQUIRED

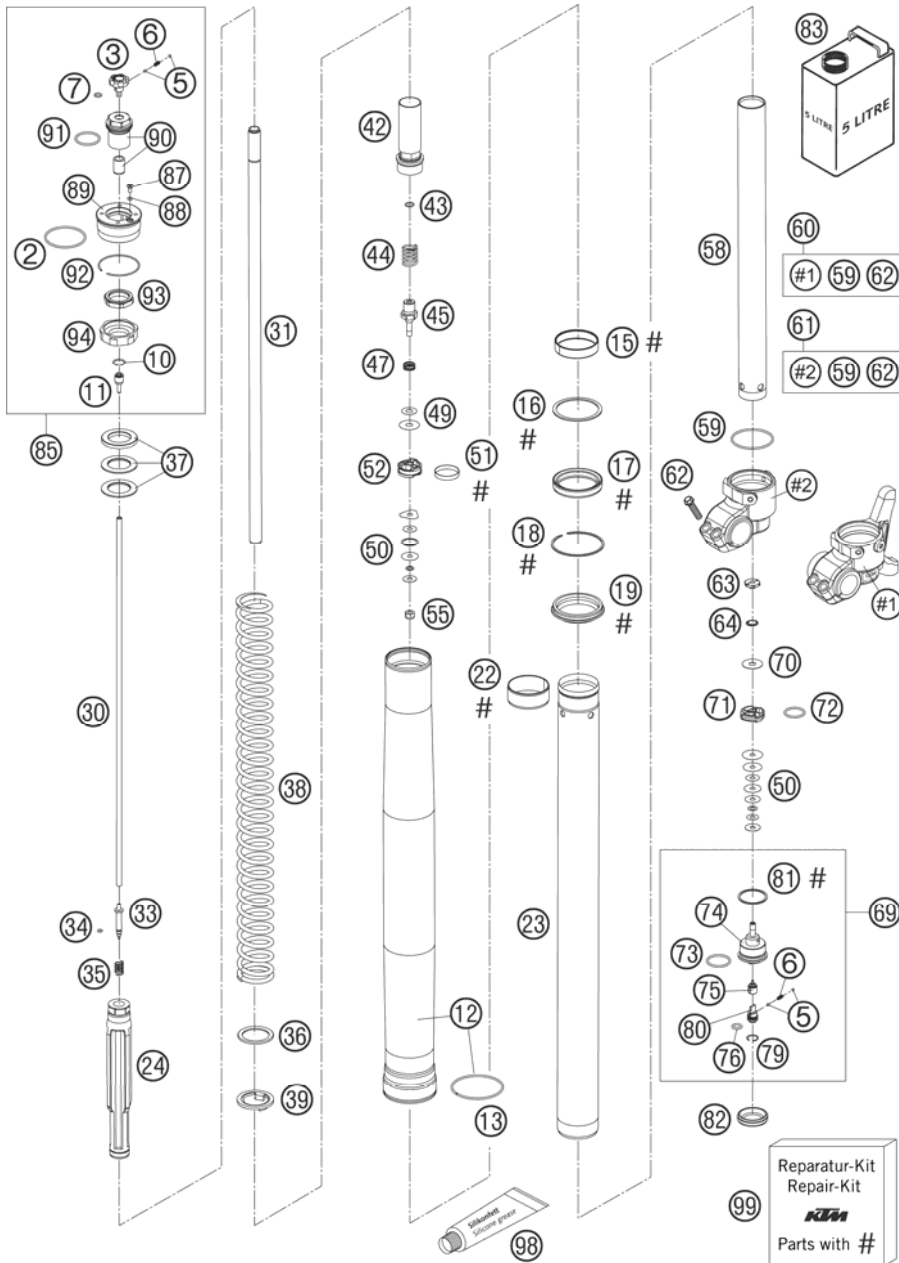


FIG	PART NUMBER	DESCRIPTION	QTY
49	48600068	CHECK VALVE 8X18X0,1	X
49	48600215	CHECK VALVE 8X20X0,1	X
49	48600216	CHECK VALVE 8X22X0,1	X
49*	48600346	SHIM 8X11X0,2	X
50	40540402	SHIM 6X16X0,1	X
50	40540403	SHIM 6X18X0,1	X
50	40540405	SHIM 6X14X0,15	X
50	40540406	SHIM 6X16X0,15	X
50	40540406	SHIM 6X16X0,15	X
50	40540414	SHIM 6X16X0,25	X
50	40540415	SHIM 6X18X0,25	X
50	40541391	SHIM 6X11X0,3	X
50	48600063	SHIM 6X24X0,1	X
50	48600064	SHIM 6X22X0,1	X
50	48600065	SHIM 6X20X0,1	X
50	48600069	SHIM 6X20X0,15	X
50	48600116	SHIM 6X24X0,1 DELTA	X
50	48600212	PRESSURE-RING 20X16,25X0,20	X
51	48600060	PISTON RING 5X1X84	2
52	48600042	PISTON REBOUND D=27,7	2
55	40540486	NUT M6X0,5 REBOUND	2
58	48600081	TUBE 29,3X1X390 D=8,5MM	2
59	48600048	O-RING NBR 46 X 2	2
60	48600402S	AXLE CLAMP L/S CPL. USD48 05	1
61	48600238S	AXLE CLAMP R/S CPL. USD48 04	1
62	0015080253	HH COLLAR SCREW M 8X25 WS=10	4
63	48600163	CHECK VALVE NUT M6X0,5 D=2	2
64	48600202	SPRING CHECK VALVE D=0,7	2
69	48600152S1	TAP COMPRESSION CPL. 03	2
70	48600061	CHECK VALVE 8X24X0,4	2
71	48600047	PISTON COMPRESSION D=27,9	2
72	46811499	O-RING NBR 21X2	2
73	35480320	O-RING NBR 24X2	2
74	48600152	TAP COMPRESSION	2
75	48600190	NEEDLE COMPRESSION 2003	2
76	48600049	O-RING NBR 8X2	2
79	48600051	LOCK WASHER RB12	2

065930101 / C065930101

* NEW PART

X AS REQUIRED

FORK LEGS WP USD 48

560 SMR 2006

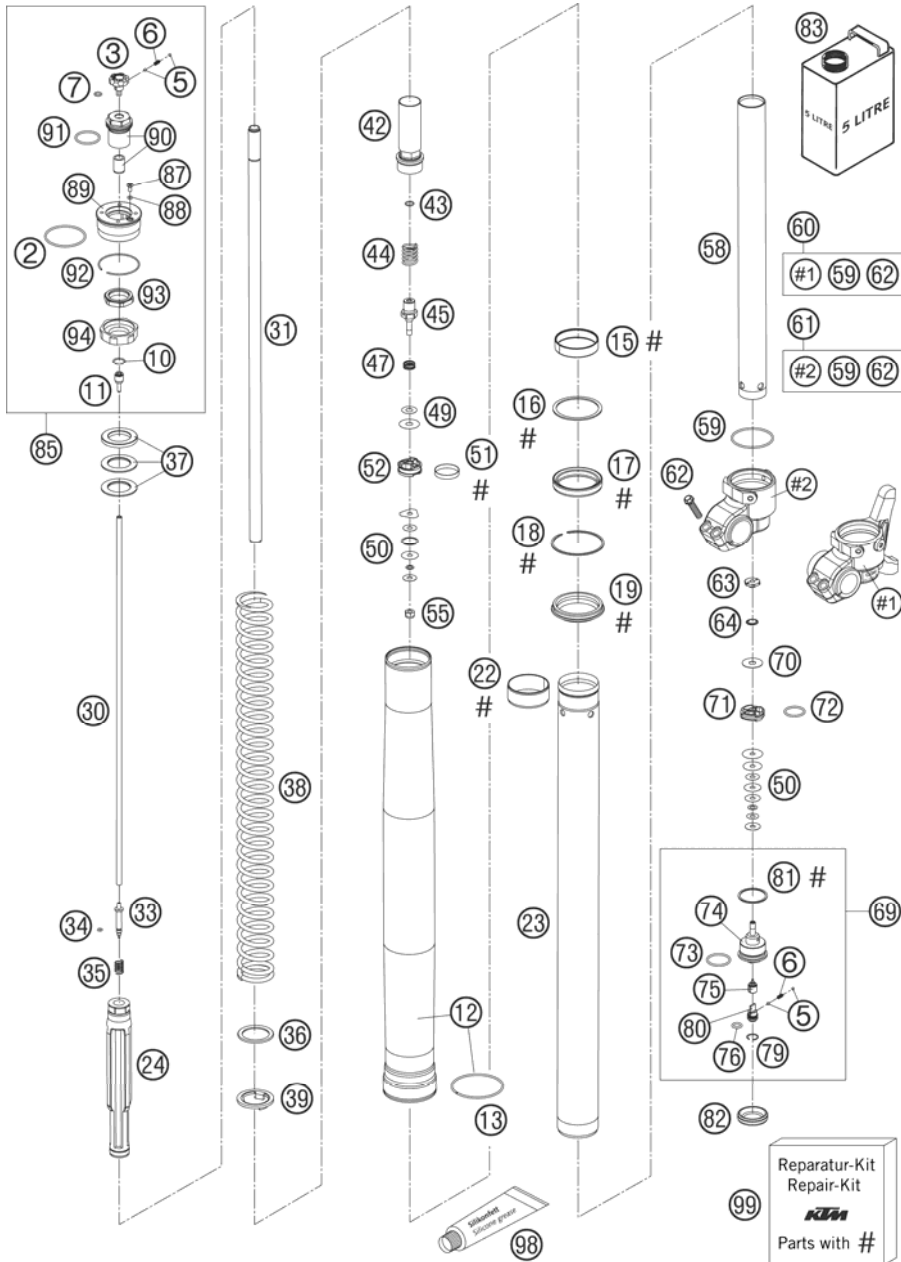


FIG	PART NUMBER	DESCRIPTION	QTY
80	48600034	COMPRESSION ADJ. SCREW	2
81	48600004	COPPER WASHER 29,5X33,5X1	2
82	48600141	RUBBER CAP D=35MM	2
83	48600401S1	FORK OIL SAE 5 2005	1
85	48600075S	PRE-LOAD ADJUSTER CPL.(1 PC.)	2
87	48600076	VENT SCREW M4X8	2
88	48600046	O-RING NBR 3X1,5	2
89	48600075	SCREW CAP M51X1,5	2
90	48600073S	ADAPTER ADJUST. KNOB + BUSHING	2
91	48600077	O-RING NBR 26X2	2
92	46810010	CIRCLIP 49X1,5	2
93	48600072	LOCKNUT	2
94	48600071	SUPPORT RING FOR SPRING	2
98	T511	SILICONE GREASE F. DUST STRI	1
99*	R14013	REPAIR-KIT GASKET 4860 MXMA 06	1

065930101 / C065930101

* NEW PART

X AS REQUIRED

HANDLEBAR, CONTROLS

560 SMR 2006

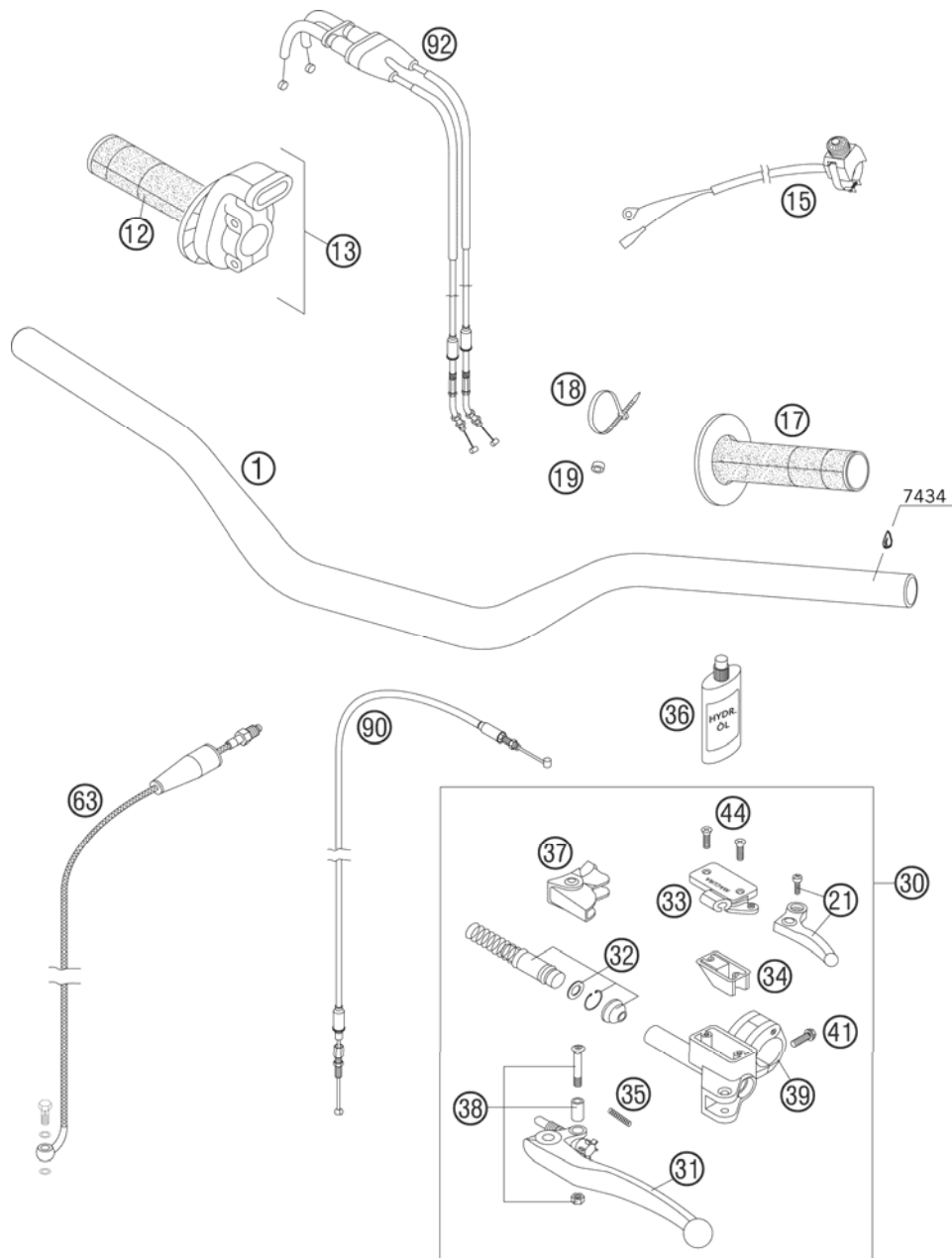


FIG	PART NUMBER	DESCRIPTION	QTY
1	54802001200	HANDLEBAR D=28MM SUPERMOTO 04	1
12	54802013000	TWIST GRIP COVER RENTAL 04	1
13	59402010000	THROTTLE GRIP CPL. RACING 2004	1
15	50311089200	SHORT CIRCUIT BUTTON 02	1
17	54802039000	FIXED GRIP RENTAL 04	1
18	44011076100	CABLE TIE 100/2,5MM BLACK	x
18	44011076200	CABLE TIE 200/3,6MM BLACK	x
19	50301089000	SPACER BUSHING 6X10X5	1
21	59002047000	DECO.LEVER CPL. RACING 2000	1
30	59002030200	MASTER CYLINDER CPL. RACING 04	1
31	54602031000	CLUTCH LEVER SHORT CPL. 2003	x
31	59002031000	CLUTCH LEVER LONG CPL. 2003	1
32	59002032100	REP.KIT PISTON 9,0MM RAC. 2004	1
33	59002033000	COVER HYD.CLUTCH RACING 2000	1
34	50302034000	RUBBER FOR RESERVOIR '98	1
35	59002035000	SPRING FOR CLUTCH LEVER 03	1
36	50302036200	OIL FOR HYD. CLUTCH 75ML	1
37	50302037000	PROTECT.CAP FOR LEVER PERCH'98	1
38	50302038000	LEVER SCREW CPL. 125-200 '98	1
39	50302030150	CLAMP WITH PIN 2000	1
41	0015060203	HH COLLAR SCREW M 6X20 WS=8	1
44	0965040123	FLAT HEAD SCREW DIN0965-M 4X12	2
63	59032063100	CLUTCH PIPE RACING 2003	1
90	59002094000	DECOMPR. CABLE RACING 2000	1
92	59002091300	THR.CABLE"OPEN-CLOSE"KEIHIN 02	1

065930200 / C065930200

* NEW PART

X AS REQUIRED

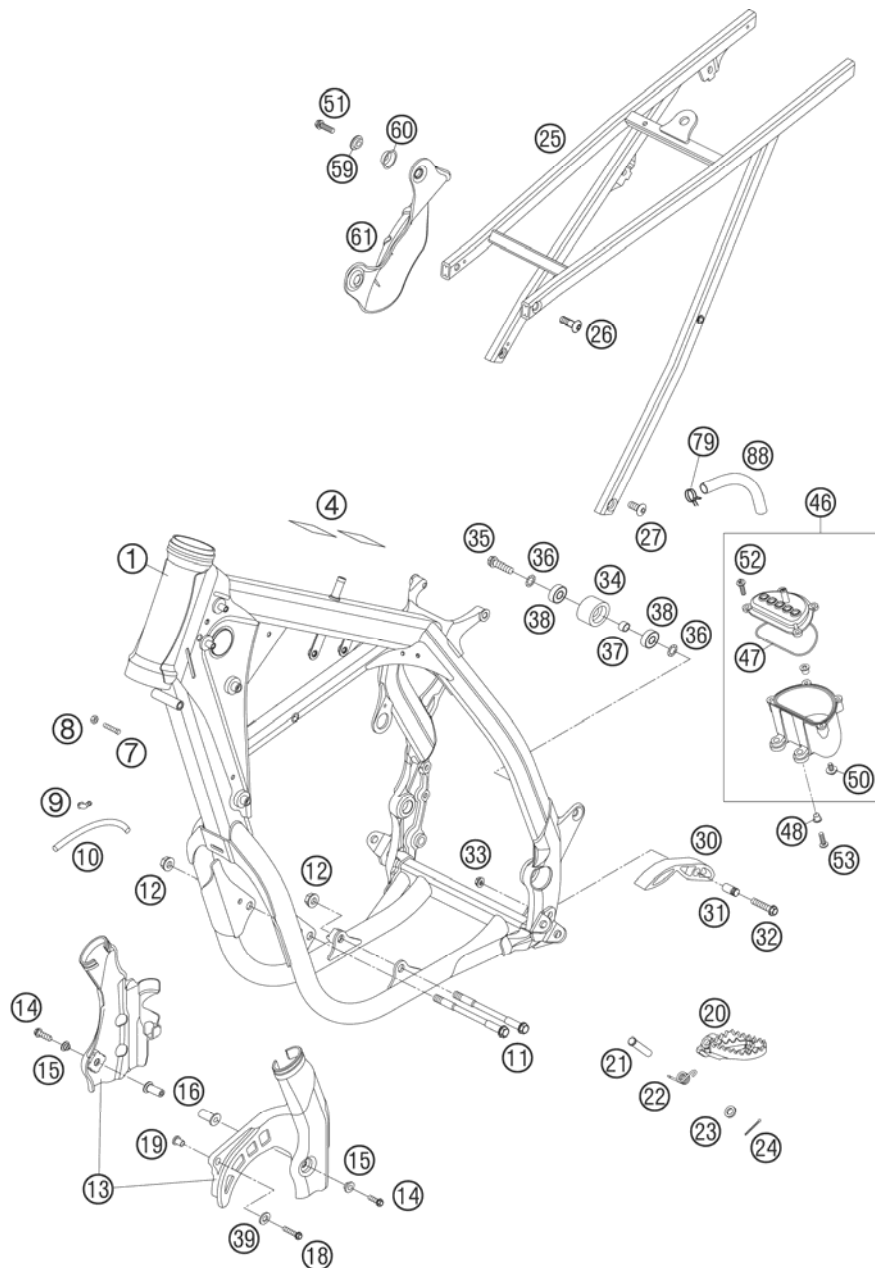


FIG	PART NUMBER	DESCRIPTION	QTY
1*	5940310100030	FRAME SX RACING "DA06" 06	1
4	50307012000	ADH. FOIL TRANSP. 80X80 MM 04	2
7	59001037000	SPECIAL SCREW M8X26 WS=10	2
8	0934080003	HEXAGON NUT DIN0934-M 8	2
9	50303089000	ANGEL PIECE '97	1
10	55007016001	PVC-HOSE 7X10 PER METER	1
11	59003013000	ENGINEBRAC.SCREW M10X123 WS=13	2
12	54310086100	SELF LOCKING NUT M10 CU WS=14	2
13	54803094100	FRAME PROTECTION SET 05	1
14	0014050253	HH COLLAR SCREW M 5X25 WS=6	2
15	54803092060	BUSH F. FRAME PROTECTION 03	2
16	54803092050	BLIND PLUG-IN NUT M5 WN 22A 03	2
18	0015060353	HH COLLAR SCREW M 6X35 WS=8	1
19	59030060050	BUSHING F. SPROCKET COVER RAC.	1
20	59003040250	FOOT PED L/S SILVER 02	1
20	59003041250	FOOT PED R/S SILVER 02	1
21	54803044000	BOLT FOR FOOT PED 03	2
22	54603041000	FOOTREST SPRING L/S & R/S	2
23	0125100003	WASHER DIN0125-A10,5	2
24	0094032253	PIN DIN0094-3,2X25 STEEL	2
25	59403002244	SUB FRAME CPL. SX RAC. "G5" 05	1
26	54510052100	SPROCKET SCREW-AH M8X26 WS=6	2
27	54610052000	SPROCKET SCREW-AH M8X20 WS=6	2
30	51103053000	CHAIN SLIDING PIECE BELOW '97	1
31	51103053051	BUSHING 8,2X10X20	1
32	0015080353	HH COLLAR SCREW M 8X35 WS=10	1
33	54310086200	SELF LOCKING NUT M8 10.9	1
34	50203053000	CHAIN ROLL D=30MM	1
35	0015080303	HH COLLAR SCREW M 8X30 WS=10	1
36	36003014000	LOCK WASHER 8MM	2
37	74003021000	BUSHING 8.2 X 12 X 6	1
38	0625006087	GROOVED BALL BEAR. 608 2RS C3	2
39	0125060003	WASHER DIN0125-A 6,4	1
46	59431096000	INTERCEPTING TANK CPL. 2004	1
47	0770800021	O-RING 80,00X2,00 VITON	1
48	58314060050	SPACER BUSH. F. SPEEDOMET.BRA.	2

065930300 / C065930300

* NEW PART

X AS REQUIRED

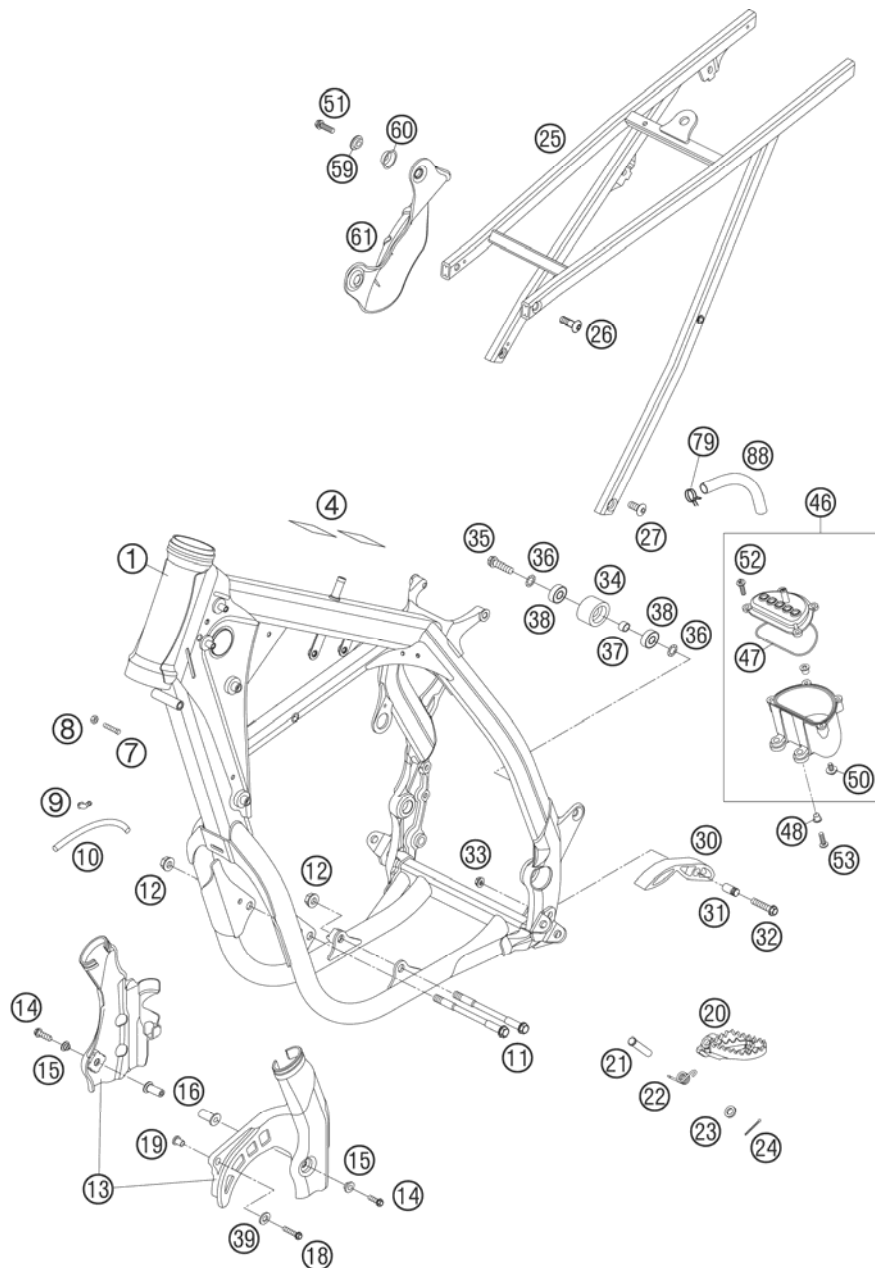


FIG	PART NUMBER	DESCRIPTION	QTY
50	0014060103	HH COLLAR SCREW M 6X10 WS=8	1
51	0015060203	HH COLLAR SCREW M 6X20 WS=8	1
52	0017060203	EJOT PT SCREW K60X20 WS=6	4
53	0014060253	HH COLLAR SCREW M 6X25 WS=8	2
59	50308052000	BUSH FOR SPOILER 6X11X16X5 MM	1
60	72210079000	BUCKET	1
61	59405011000	HEAT SHIELD 04	1
79	58431082100	YDNAC-CLAMP 10173 (16MM) '98	1
88	59031050100	ENGINE BREATHER TUBE 00	1

065930300 / C065930300

* NEW PART

X AS REQUIRED

SHOCK ABSORBER

560 SMR 2006

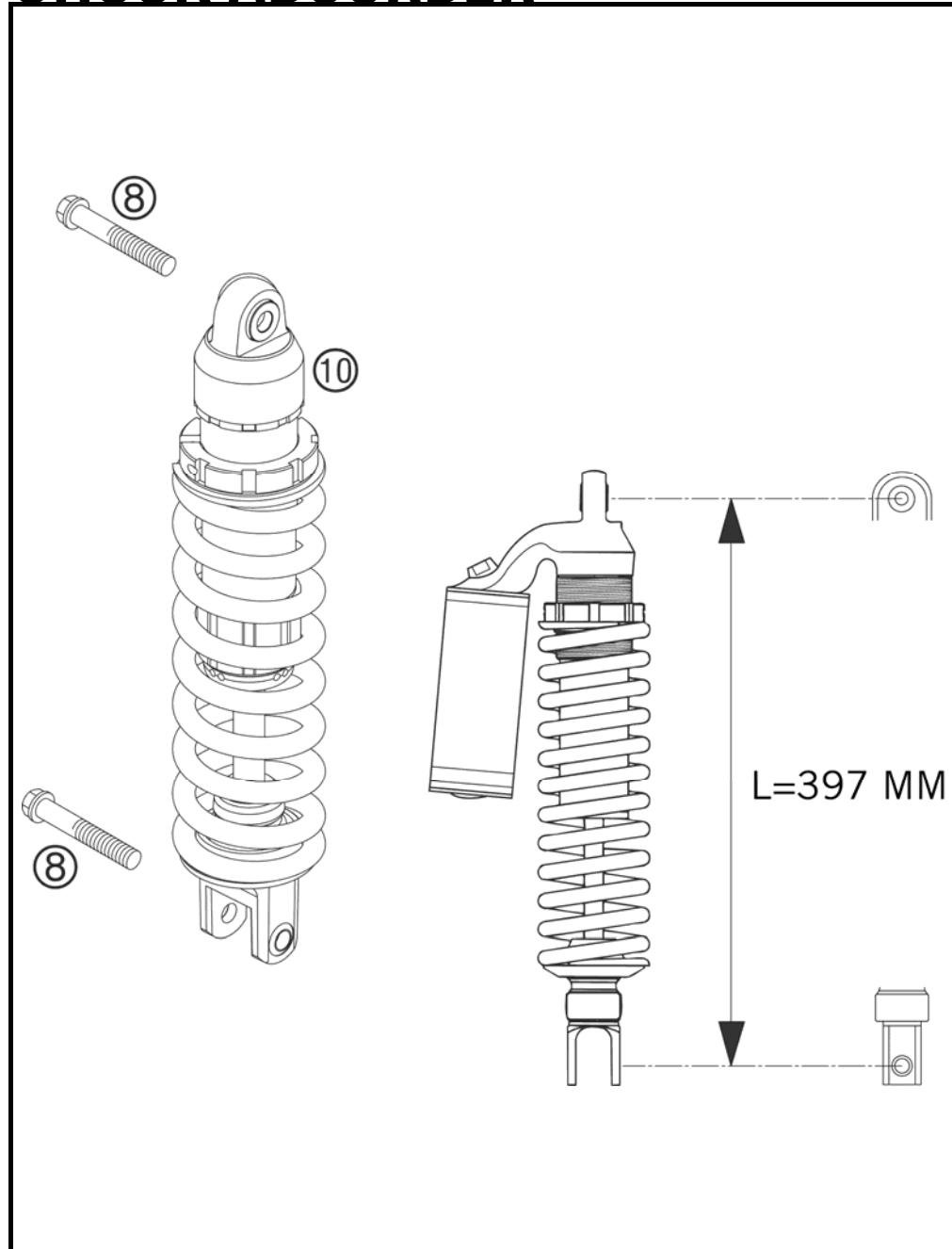


FIG	PART NUMBER	DESCRIPTION	QTY
8	0015120556S	HH COLLAR M12X55 WS=13 06	2
10*	12187A15	MONOSHOCK 450/525 SMR 2005	1

065930400 / C065930400

* NEW PART

X AS REQUIRED



SHOCK ABSORBER DISASSEMBLED

560 SMR 2006

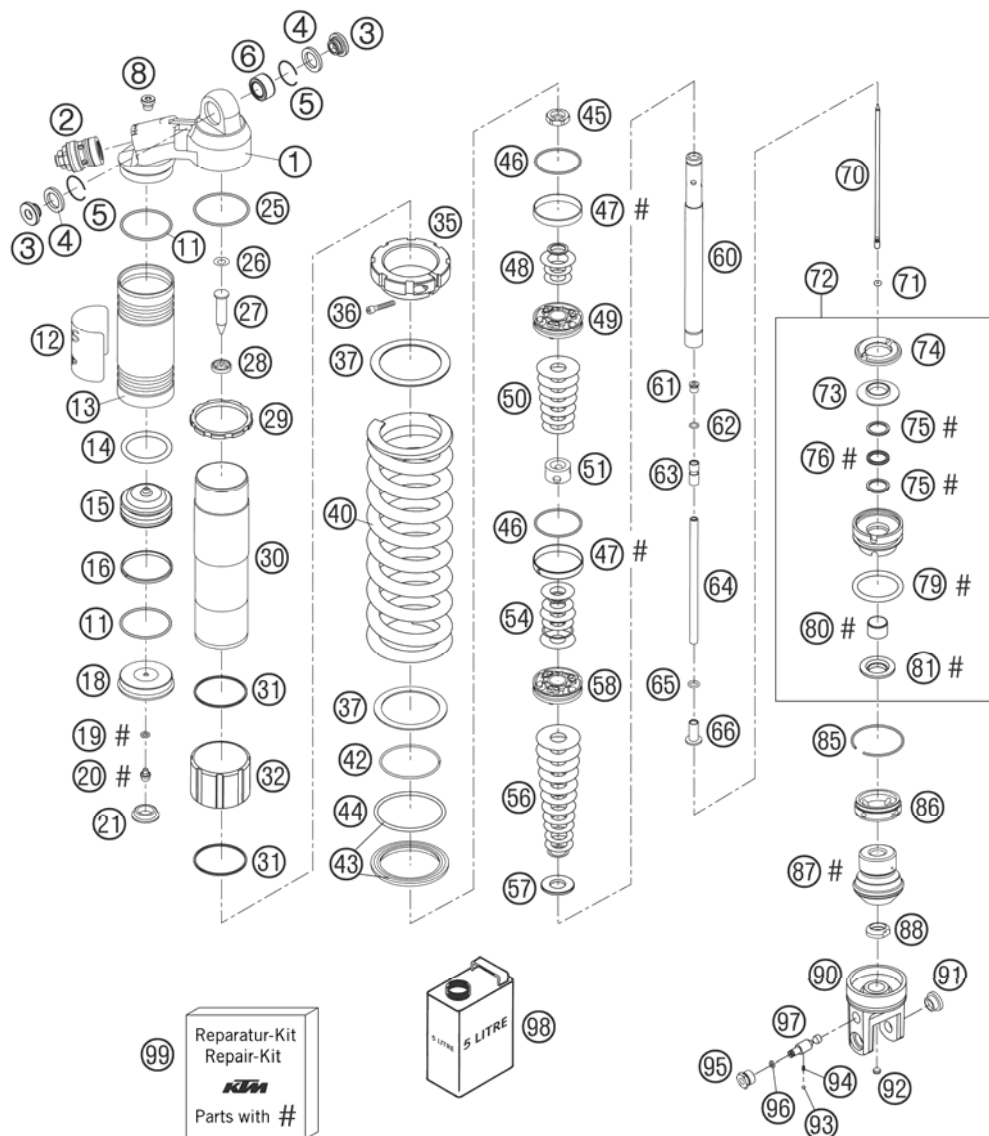


FIG	PART NUMBER	DESCRIPTION	QTY
1	50180350	SHOCK ABSORBER TOP H=30,5 B=21	1
2	50180213S4	DCC-COMPR.DAMP.CONTROL CPL. 03	1
3	46180007	ADAPTOR BUSH KGW 12X24	2
4	46180003	OIL SEAL KGW D=25	2
5	50180168	WASHER KGW D=25	2
6	50180005	BUSHING KGW 1525 HD	1
8	50180095	BLEED PLUG R 1/8	1
11	46810016	O-RING NBR 48X2	2
12	52000041	WP CAUTION (PDS KTM) 58X83	1
13*	50180479	RESERV. SCREW L=120 D=52 BLACK	1
14	46180014	O-RING VITON 41X5	1
15	46180002	SEPARATION PISTON D=52, H=32	1
16	46180015	PISTON RING 3,9X1,5X156	1
18	50180344	RESERVOIR CAP D=58	1
19	46810893	O-RING NBR 5,28X1,78	1
20	36120151	SCREW PLUG M5X6	1
21	46811208	RUBBER CAP "DO NOT OPEN"	1
25	50180097	O-RING 52X2	1
26	50180177	WASHER 16X8,2X0,6	1
27*	50180444	NEEDLE D=11,4 D=7,6 L=57	x
28*	50180437	SCREW CAP M20X1 D=11,5 H=5	1
29	50180270	LOCK WASHER	1
30*	50180430	TUBE PDS L=198	1
31	50180133	CIRCLIP 50X1,5	2
32	50180081	SPRING GUIDANCE L=40	1
35*	50180433	SPRING RETAINER M56X1	1
36	0912050303	AH SCREW DIN0912-M 5X30	1
37	50180114	INTERM.RING SCREW SPRING RET.	2
40*	91210049	SPRING 250 84N/MM (62) ORANGE	x
40*	91210050	SPRING 250 88N/MM ORANGE	1
40*	91210051	SPRING 250 92N/MM ORANGE	x
42	50180273	CIRCLIP 58,2X2	1
43*	50180463S	SPRING RET. D=80 W. O-RING 05	1
44	50180352	O-RING VITON 66,27X3,53	1
45	50180141	PISTON ROD NUT M16X1	1
46	50180099	O-RING VITON 44,17X1,78	2

065930403 / C065930403

* NEW PART

X AS REQUIRED

SHOCK ABSORBER DISASSEMBLED

560 SMR 2006

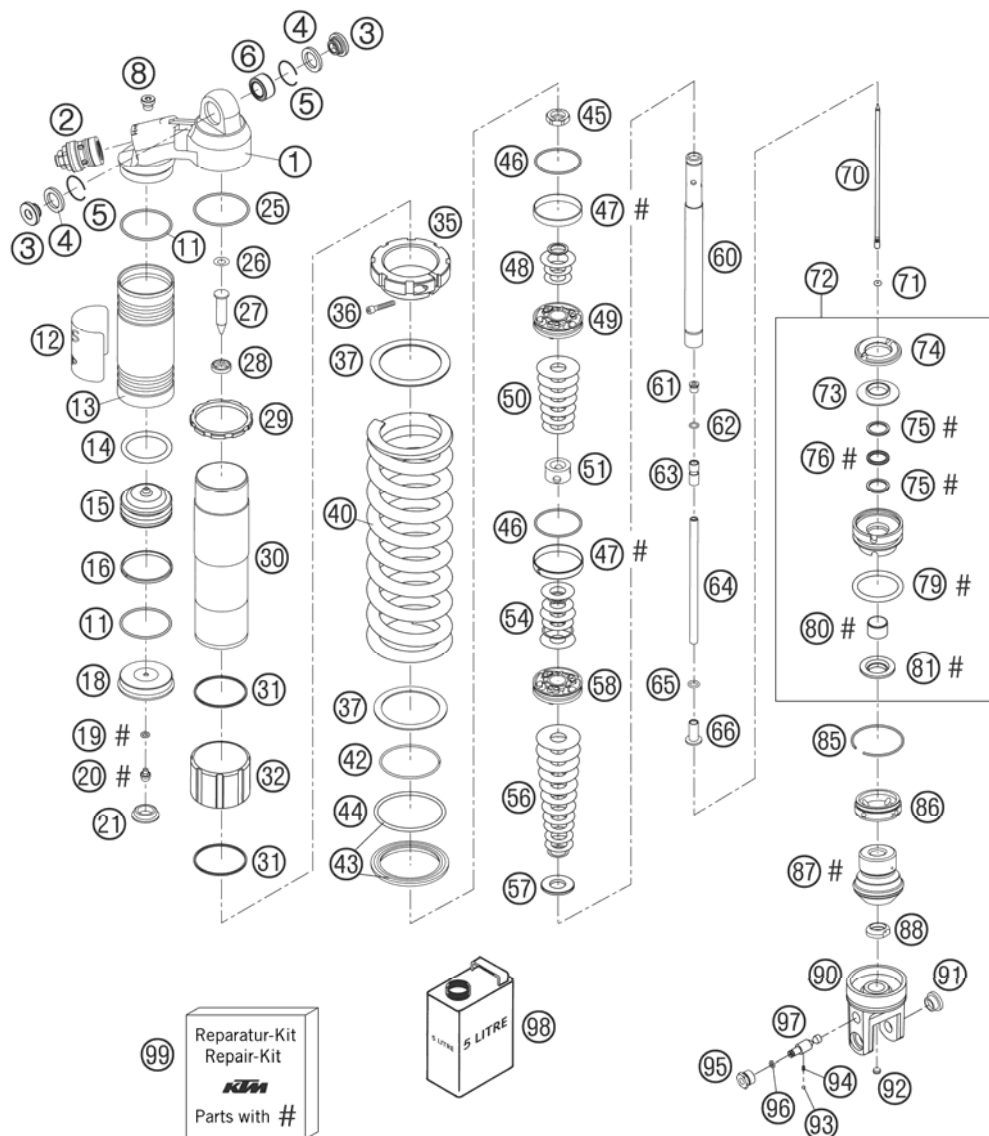


FIG	PART NUMBER	DESCRIPTION	QTY
47	50180135	PISTON RING 50-8	2
48	50180072	SHIM 16X28X0,30	1
48	50180209	WASHER 21X36X0,25	1
48	50180210	WASHER 16X21X1	1
49	50180446	PISTON 6+6X3,5/4,5	1
50	50180074	SHIM 16X32X0,30	x
50	50180075	SHIM 16X34X0,30	x
50	50180076	SHIM 16X36X0,30	x
50	50180077	SHIM 16X38X0,30	x
50	50180078	SHIM 16X40X0,30	x
50	50180079	SHIM 16X42X0,30	x
50	50180080	SHIM 16X44X0,30	x
51	50180269	SANDWICH BUSH D25XD16X14,5/D	1
54	46811637	PRESSURE RING 36X32,25	x
54	50180035	BACKPLATE 16X21X0,30	x
54	50180056	SHIM 16X32X0,20	x
54	50180058	SHIM 16X36X0,20	x
56	50180036	BACKPLATE 16X22X0,30	x
56	50180055	SHIM 16X30X0,20	x
56	50180056	SHIM 16X32X0,20	x
56	50180057	SHIM 16X34X0,20	x
56	50180058	SHIM 16X36X0,20	x
56	50180068	SHIM 16X38X0,25	x
56	50180069	SHIM 16X40X0,25	x
56	50180070	SHIM 16X42X0,25	x
56	50180071	SHIM 16X44X0,25	x
57	50180401	SHIM REBOUND H16 '03	1
58*	50180311	PISTON 6+6X7/4,5 VB 1,0	1
60*	50180431	PISTON ROD D=18 L=151 M16X1	1
61	50180200	BUSH M8X1	1
62	50180157	O-RING VITON 7X1,5	1
63*	50180439	NEEDLE SEAT M8X1 D=5,5 05	1
64	50180264	TUBE M18X1 L=151,5	1
65	48600049	O-RING NBR 8X2	1
66	50180279	TUBE ADAPTOR M8X1 L=23	1
70	50180261	NEEDLE L=175	1

065930403 / C065930403

* NEW PART

X AS REQUIRED

SHOCK ABSORBER DISASSEMBLED

560 SMR 2006

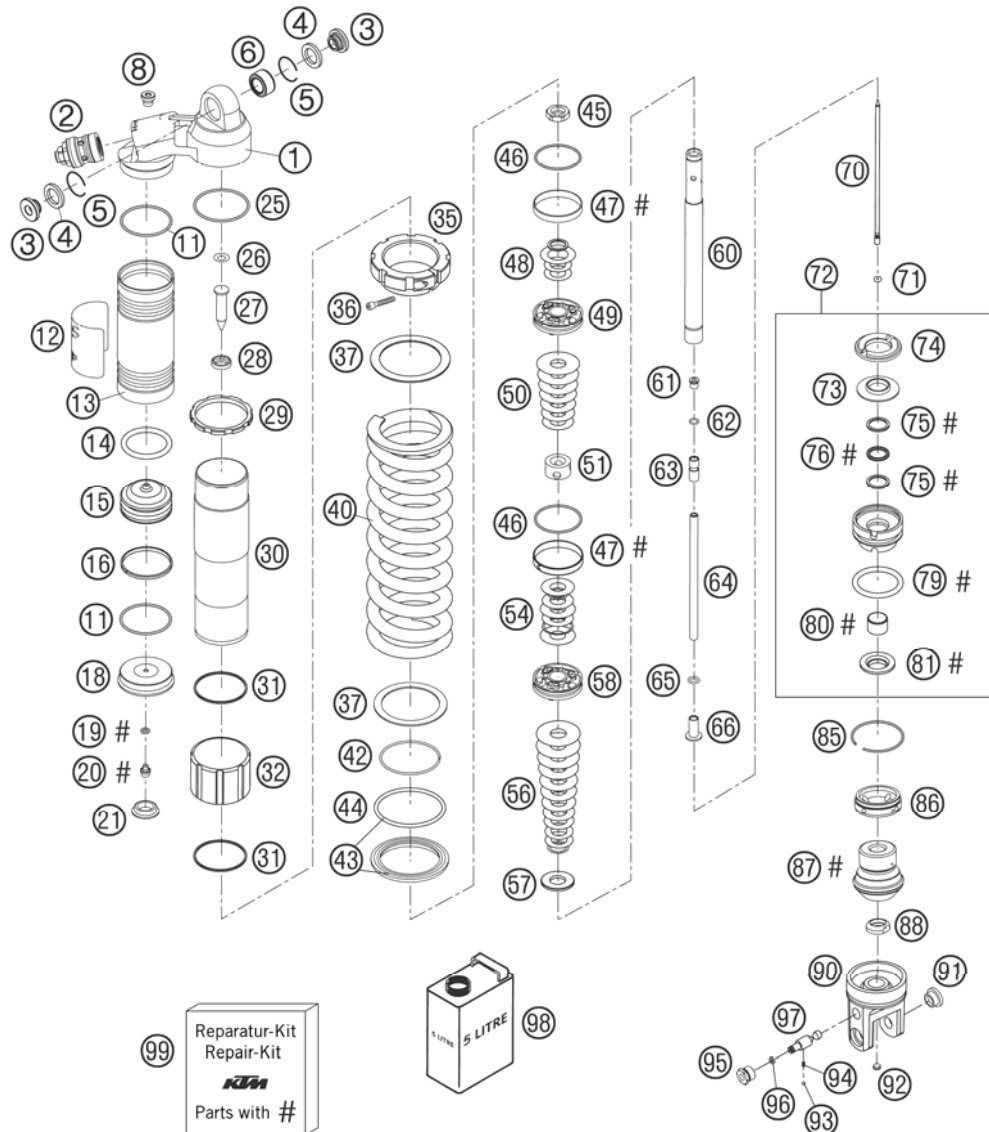


FIG	PART NUMBER	DESCRIPTION	QTY
71	46811265	O-RING VITON 2,2X1,6	1
72*	50180435S	ADAPTOR CPL. D=50 H=29	1
73*	50180113	STEEL DISC 18X,5X43,7X6	1
74	50180107	REBOUND RUBBER	1
75	50180102	BACKUPRING 22,55X1,5	2
76	50180101	QUAD RING 18X2,62	1
79	50180103	O-RING 41X5	1
80	46180119	DU-BUSH 18X20X12	1
81	50180082	DUST SEAL 1835	1
85	50180126	CIRCLIP 53X1,75	1
86*	50180487	COVER D=50	1
87*	50180480	BUMP RUBBER SXS 2005	1
88*	50180481	NUT M18X1	1
90*	50180484	FORK PART L=55,5 B=32,5 D=12	1
91	50180105	THREADED BUSH M12 PDS	1
92	50180297	RUBBER PLUG D=8	1
93	40540603	STEEL BALL D=3MM	1
94*	48600028	SPRING D=2,9 L=7,9	1
95	50180281	RESERVOIR CAP M14X1	1
96	50180222	O-RING NBR 4X1,5	1
97*	50180434	ADJUSTING SCREW 80 DEG. L=39	1
98*	50180466S1	SHOCK ABSORBER FLUID 5 LT 05 0,33 LITRE	1
99	R12011	REPAIR KIT GASKET 5018 PDS 06	1

065930403 / C065930403

* NEW PART

X AS REQUIRED

SWING ARM

560 SMR 2006

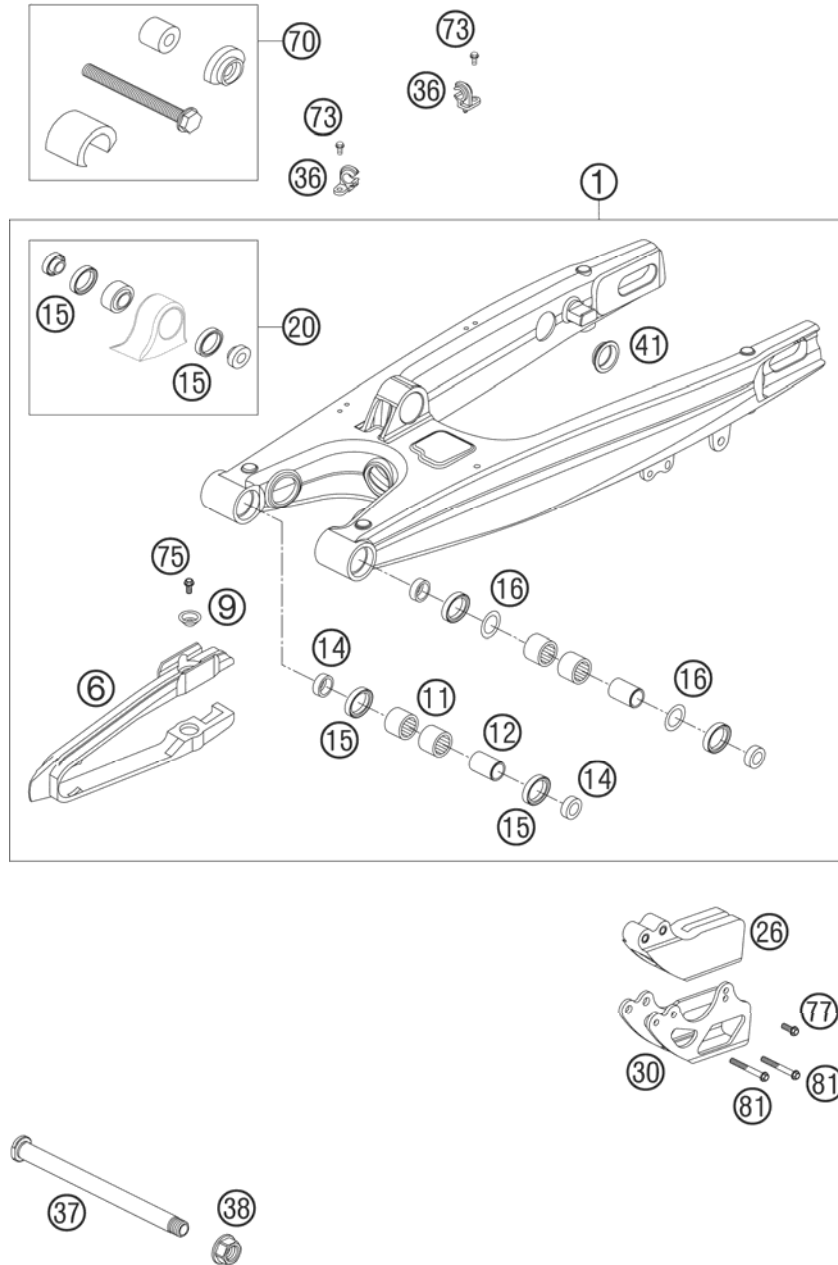


FIG	PART NUMBER	DESCRIPTION	QTY
1	59404230144	SWINGARM CPL. 05	1
6	50304066100	CHAIN GUARD 05	1
9	72210079000	BUCKET	2
11	59004031100	NEEDLE BEARING HK2212V	4
12	59404032000	BEARING SLEEVE 17X22X38,7 03	2
14	54804034000	BUCKET F. SHAFT SEAL RING 03	4
15	0760253270	SHAFT SEAL RING 25X32X7	6
16	54603036000	STOP DISK 22,2X31,7X1	2
20	50304090044	PIVOT BEARING+BUSHES PDS '99	1
26	54607066100	CHAIN GUIDE REAR '94	1
30	54607070144	RETAINING PLATE CPL.	1
36	54611076100	RETAIN.CLAMP FOR BRAKE HOSE'96	2
37	54804037000	SWINGARM BOLT M16X1,5 03	1
38	54804038000	SELF LOCK.NUT M16X1,5 WS=19 03	1
41	58404041100	CLOSING COVER ROUND 03	5
70	50329000044	TOOL BEARING MOUNTING PDS	1
73	0009050103	SPECIAL SCREW M 5,0X10	2
75	0015060103	HH COLLAR SCREW M 6X10 WS=8	2
77	0015060163	HH COLLAR SCREW M 6X16 WS=8	1
81	0015060503	HH COLLAR SCREW M 6X50 WS=8	2

065900408 / C065930408

* NEW PART

X AS REQUIRED

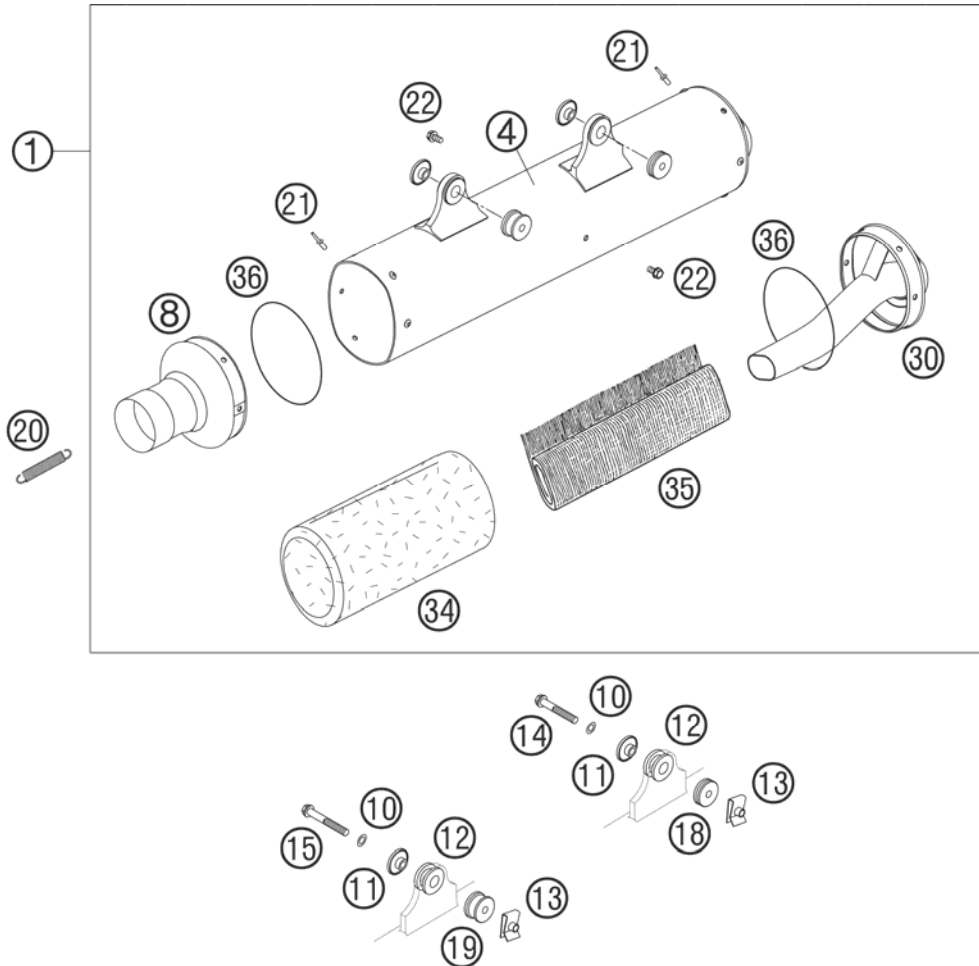


FIG	PART NUMBER	DESCRIPTION	QTY
1	59405079200	EXHAUST SILENCER SMR 05	1
4	59005081550	SILENCER HOUSING EXC 04	1
8	59405079009	SILENCER CONNECT. CAP CPL.03	1
10	0137060003	SPRING WASHER DIN0137-B 6	2
11	54605069000	BUSHING 7,5X12X28X7,8 '96	2
12	54605068000	EXHAUST BRACKET RUBBER BLACK	2
13	54603048100	RANGE CHANGE METAL NUT M6	2
14	0015060403	HH COLLAR SCREW M 6X40 WS=8	1
15	0015060453	HH COLLAR SCREW M 6X45 WS=8	1
18	59405169000	BUSHING SIL.-SMR REAR 2004	1
19	59405269000	BUSHING SIL.-SMR FRONT 2004	1
20	50305016000	TEN.SPRING L=62MM EY.MOVEABLE	2
21	0011480802	DUMMY RIVET 4,8X 8,0 NIRO	12
22	0009050103	SPECIAL SCREW M 5,0X10	2
30	59005081606	ENDCAP EXC CPL. UNTHROTTLED 04	1
34	58705078350	STUFFINGYARN 350 GRAMM '99	1
35	59005078076	STUFFING YARN 560X340X76G 04	1
36	0770740015	O-RING 74,00X1,50 FKM 75SH	2

065930501 / C065930501

* NEW PART

X AS REQUIRED

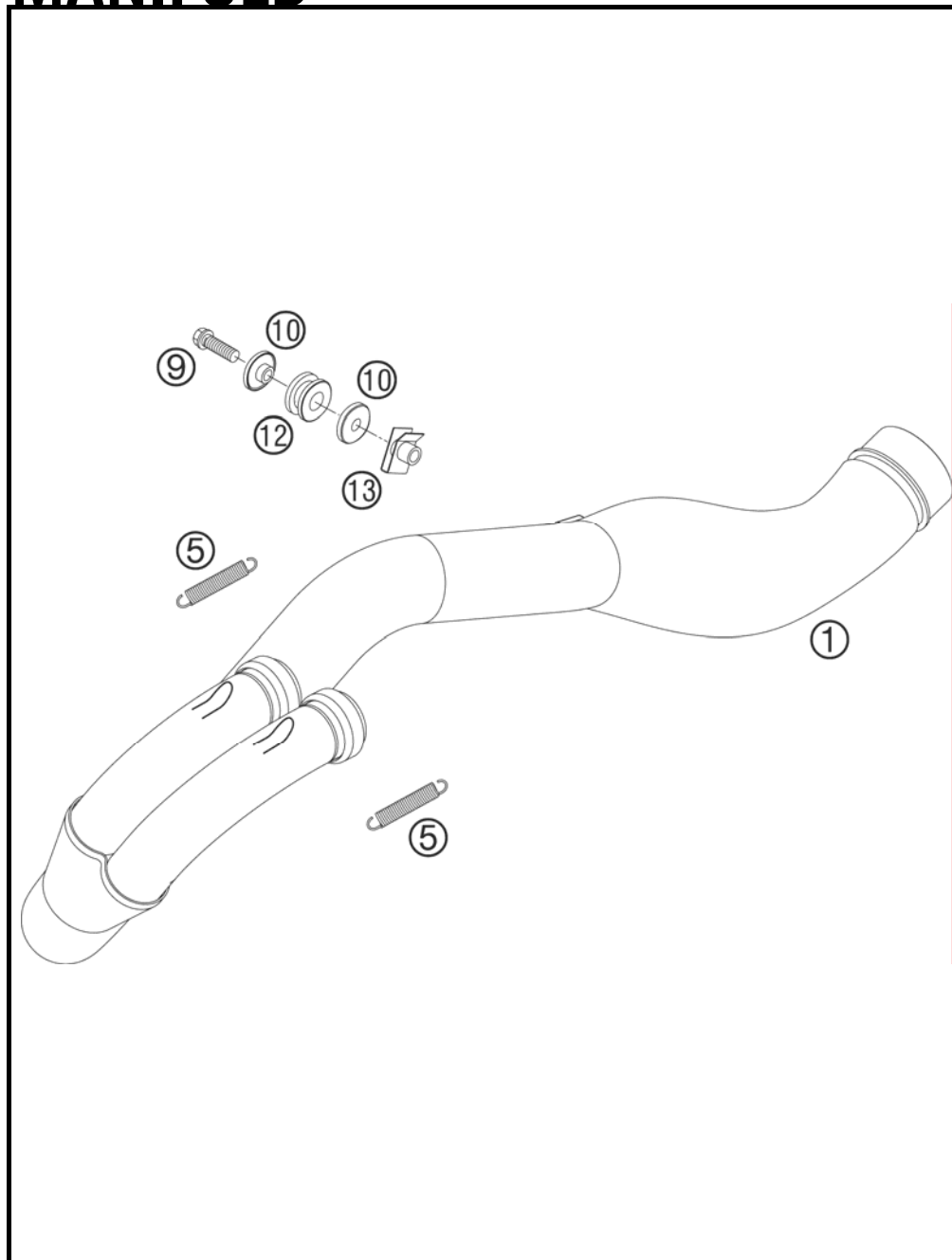


FIG	PART NUMBER	DESCRIPTION	QTY
1	59405007500	EXHAUST PIPE 560 SMR 2006	1
5	50305016000	TEN.SPRING L=62MM EY.MOVEABLE	2
9	0015080253	HH COLLAR SCREW M 8X25 WS=10	1
10	59405069000	BUSHING FOR EXHAUST SUPPORT 03	2
12	54605068000	EXHAUST BRACKET RUBBER BLACK	1
13	54603048000	RANGE CHANGE METAL NUT M8	1

05590050 / C065930503

* NEW PART

X AS REQUIRED

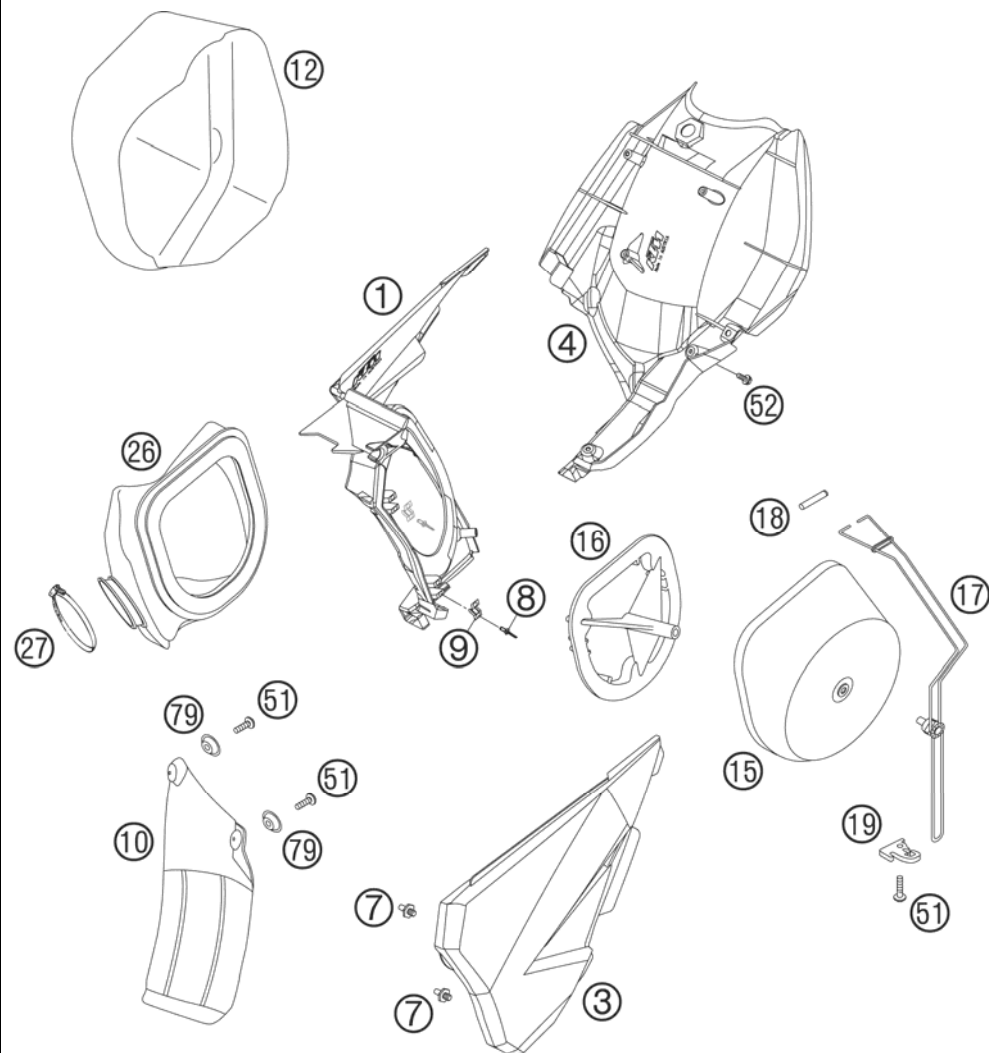


FIG	PART NUMBER	DESCRIPTION	QTY
1	54806001051	FILTER WALL 03	1
3	54806003000	FILTER BOX COVER 03	1
4	54806001052	REAR PART FILTER BOX 03	1
7	54806008051	QUICK RELEASE-NIPPLE 03	2
8*	54806108052	BLIND RIVET 3,3X9,7 GROOVED 04	4
9	54806008050	QUICK RELEASE-SPRING HANGER	2
10	50306010000	FENDER FOR FILTER BOX '98	1
12	50306012000	THROTTLE CAP 125-380EGS CPL.98	x
15	59006015000	AIR FILTER RACING 2001	1
16	59006016000	FILTER CARRIER RAC. 2001	1
17	50306017000	FILTER SUPPORT CPL.2-STROKE'98	1
18	50306018000	FILTER SUPPORT BUSH 125-380'98	1
19	50306019000	FASTEN. DEVICE FILTER SUPPORT	1
26	59006026000	CABURETOR CONNECTING BOOT 2000	1
27	51006027000	HOSE CLAMP 50-70MM	1
51	0017060203	EJOT PT SCREW K6X20 WS=6	3
52	0009050103	SPECIAL SCREW M 5,0X10	1
79	72210079000	BUCKET	2

04593060 / C065930601

* NEW PART

X AS REQUIRED

TANK, SEAT, COVER

560 SMR 2006

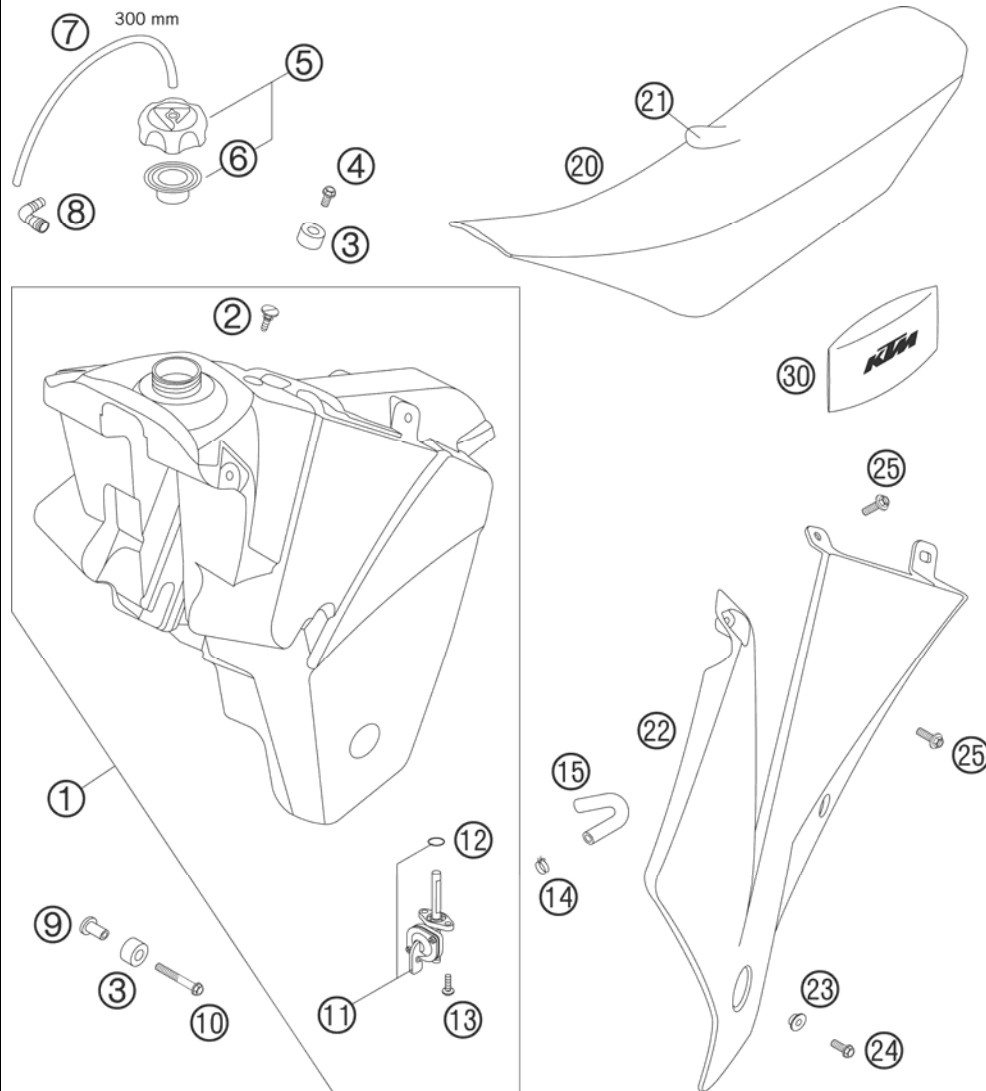


FIG	PART NUMBER	DESCRIPTION	QTY
1	5900711300004	FUEL TANK CPL. SX 6,5L 03	1
2	50307011000	SCREW SEAT FASTENING D=6X23/18	1
3	50307014000	TANK ROLLER 12X26X12 '98	3
4	0015060123	HH COLLAR SCREW M 6X12 WS=8	1
5	59007008044	FILLER CAP CPL. WITH VALVE	1
6	59007009000	GASKET FOR FILLER CAP HIGH	1
7	31007107001	PVC-HOSE 6X9 MM PER METER	x
8	51030022000	ANGLE PIECE 90 DEGREE M10X1	1
9	59003001055	SUPPORT BUSHING TANKROLLER	2
10	0015060453	HH COLLAR SCREW M 6X45 WS=8	2
11	50307005000	GAS COCK MIKUNI ON/OFF 2001 CK-81	1
12	0770130023	O-RING 13,00X2,30	1
13	0017060203	EJOT PT SCREW K60X20 WS=6	2
14	58031005000	CLAMP YDNAC 10128 12MM	2
15	59007016000	FUEL HOSE 7,5X13MM	1
20	54807040400	SEAT BLACK WITHOUT KTM-LOGO 05	1
21	54807040450	SEAT COV.BLACK WITHOUT LOGO 05	1
22	5480805000004	SPOILER L/S ORANGE 05	1
22	5480805100004	SPOILER R/S ORANGE 05	1
23	50308052000	BUSH FOR SPOILER 6X11X16X5 MM	2
24	0015060203	HH COLLAR SCREW M 6X20 WS=8	2
25	0017060204	EJOT PT SCREW K60X20 ALU WS=6	8
30	59029099000	ORIGINAL EQUIPMENT TOOL KIT	1

065900700 / C065900700

* NEW PART

X AS REQUIRED

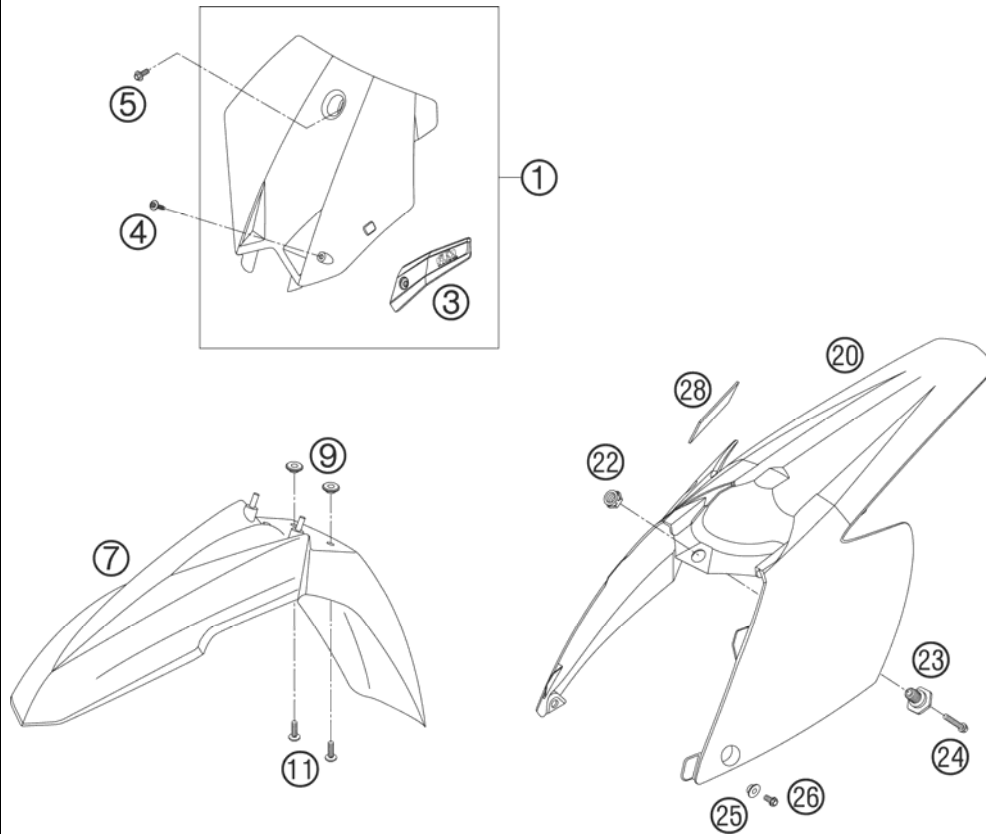


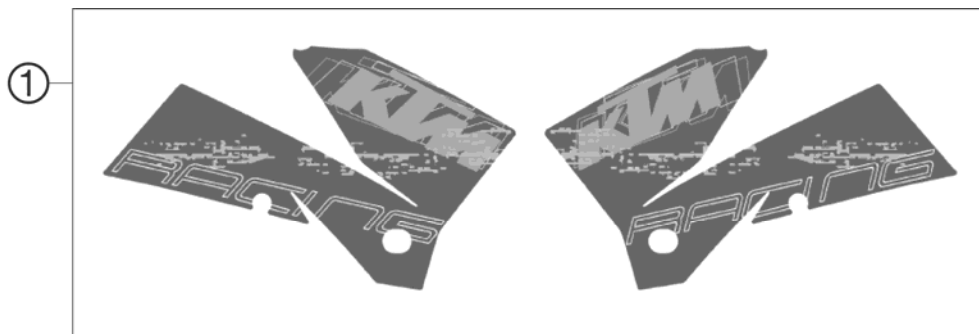
FIG	PART NUMBER	DESCRIPTION	QTY
1	5480800701004	NUMBER PLATE CPL. ORANGE 03	1
3	54808019000	BRAKE HOSE GUIDE BLACK 03	1
4	0017060204	EJOT PT SCREW K60X20 ALU WS=6	1
5	0014060153	HH COLLAR SCREW M 6X15 WS=8	1
7	5030801020004	FENDER FRONT SHORT ORANGE 02	1
9	54808020000	SPACER BUSHING 03	4
11	0014060203	HH COLLAR SCREW M 6X20 WS=8	4
20	5480801300004	REAR PART SX ORANGE 03	1
22	50314057050	COLLAR NUT M12X1/WS17 H=5MM	1
23	54807048000	BUSHING FOR SEAT FASTENING 03	1
24	0015060253	HH COLLAR SCREW M 6X25 WS=8	1
25	50308052000	BUSH FOR SPOILER 6X11X16X5 MM	1
26	0015060163	HH COLLAR SCREW M 6X16 WS=8	1
28	59003001099	METAMOLL 90X45X3MM 03	1

05593080 / C065930800

* NEW PART

X AS REQUIRED

FIG	PART NUMBER	DESCRIPTION	QTY
1*	59008090000	SPOILER DECAL SMR 2006	1
2*	59008291500	DISPLACEME. STICKER 560 SMR 06	1



065930802 / C065930802

* NEW PART

X AS REQUIRED

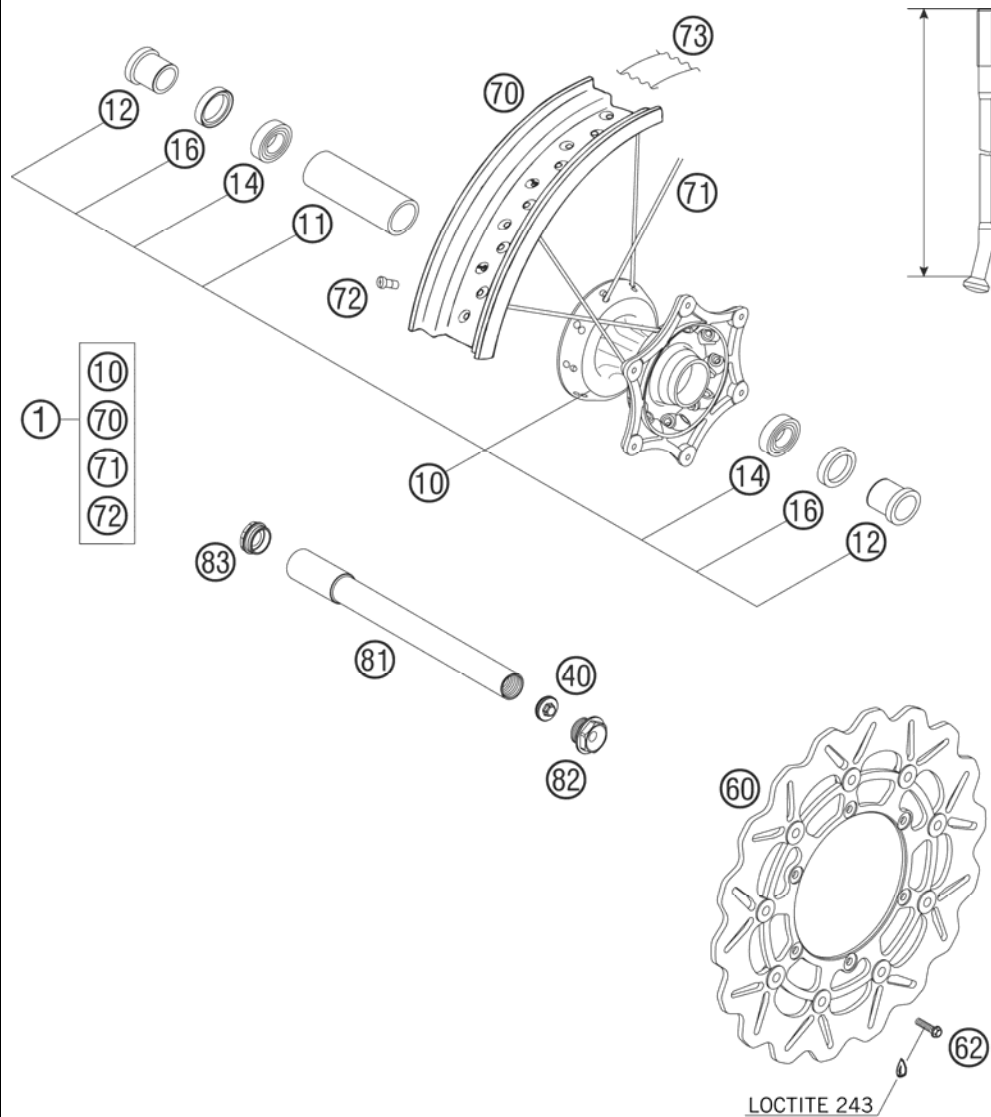


FIG	PART NUMBER	DESCRIPTION	QTY
1	58409001644	FRONT WHEEL SP 3,5X17" POL. 03	1
10	5480901004491	FRONT HUB CPL. SX SILVER 03	1
11	54809011000	BEA.SPACERTUBE 35X2 L=79,4 03	1
12	54809012000	SPACER BUSHING F. FR. WHEEL 03	2
14	0625069068	GR.BALL BEAR.6906 DDU2CG23S6NM	2
16	0760354771	SHAFT SEAL RING 35X47X7 TC	2
40	54809081070	AUXILIARY SCREW FRONT 06	1
60	58609060000	BRAKE DISC FRONT 2005	1
62	59009062016	SPECIAL SCREW M6X16 WS=8 10.9	6
70	58409070000	RIM FRONT 3,5X17" POLISHED	1
71	50309071175	SPOKE M4,5X175-15G 17" DDE	36
72	50309072000	SPOKE NIPPLE M4,5X0,75 8X21	36
73	58309073000	RIM BAND 17"	1
81	54809081000	WHEEL SPIN.FR. D=26 M24X1,5 03	1
82	54809082000	SPINDLE SCREW M24X1,5 WS=27 03	1
83	54809081050	PLUG BUSHING WS=27 03	1

065930900 / C065930900

* NEW PART

X AS REQUIRED

REAR WHEEL

560 SMR 2006

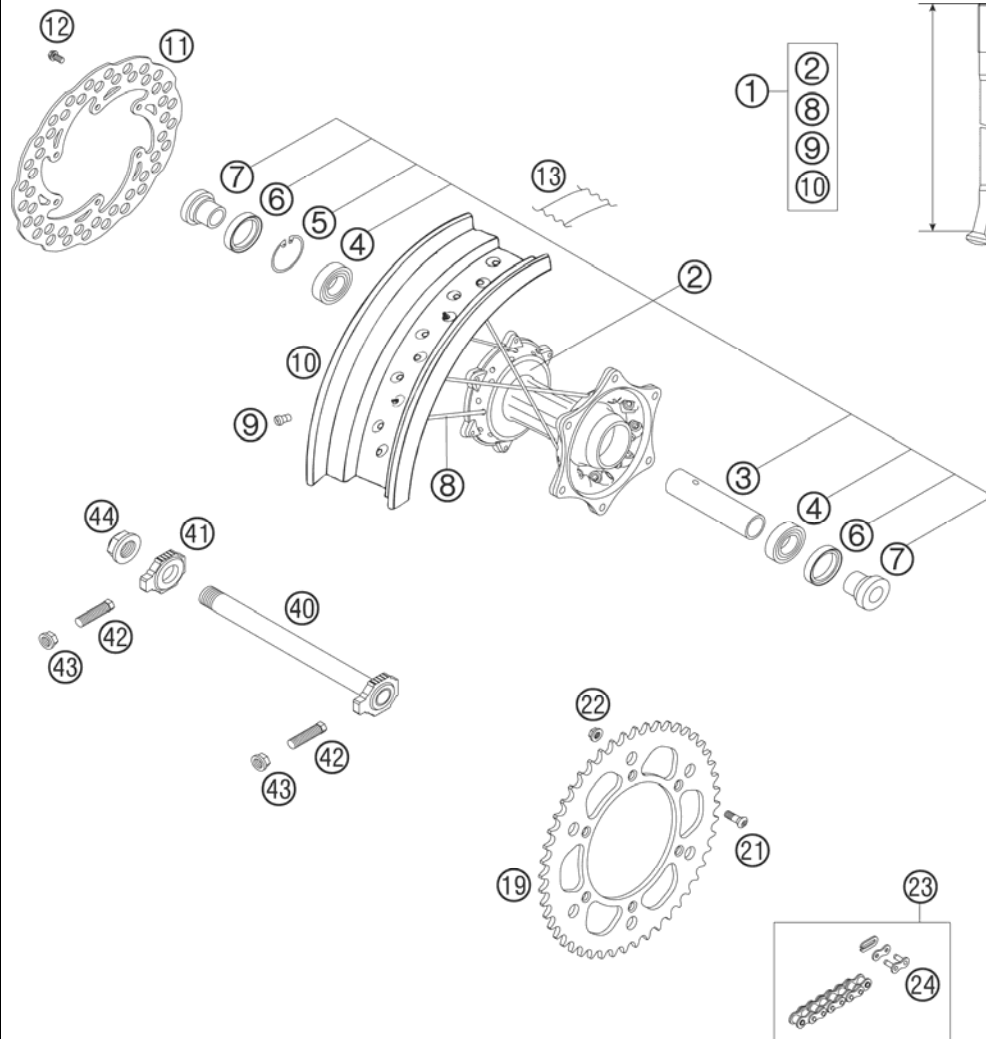


FIG	PART NUMBER	DESCRIPTION	QTY
1	57310001044	REAR WHEEL CPL. 5X17" UNDAM.02	1
2	5481001004491	REAR WHEEL HUB CPL. SX, EXC 03	1
3	59010011000	BUSHING SPACER TUBE 121,5MM 01	1
4	0625060058	GR.BALL BEAR.6005 DDU2CG23S6NM	2
5	0472047175	CIRCLIP DIN0472-47X1,75	1
6	0760324771	SHAFT SEAL RING 32X47X7 BSL	2
7	54610016000	BUSHING FOR HUB	2
8	58309171100	SPOKE M5X177-13,5G 17"	36
9	58309072000	SPOKE NIPPLE M5-TA (8X21MM)	36
10	57310070000	REAR RIM 5,0X17" 02	1
11	54810060000	BRAKE DISC REAR D=220MM 03	1
12	59009062013	SPECIAL SCREW M6X13 WS=8 10.9	6
13	58309073000	RIM BAND 17"	1
19	58310051038	REAR SPROCKET 38-T	x
19	58310051042	REAR SPROCKET 42-T	x
19	58310151040	REAR SPROCKET 40-T	x
19	58310151045	REAR SPROCKET 45-T	x
19	58310151048	REAR SPROCKET 48-T	x
19	58310151049	REAR SPROCKET 49-T	x
19	58310151050	REAR SPROCKET 50-T	x
19	58310151051	REAR SPROCKET 51-T	x
19	58310151052	REAR SPROCKET 52-T	x
21	54510052100	SPROCKET SCREW-AH M8X26 WS=6	6
22	54310086200	SELF LOCKING NUT M8 10.9	6
23	50310165118	CHAIN 5/8X1/4" + MASTER LINK 118 ROLLS	1
24	50310166000	CONNECTING LINK	1
40	50310085044	WHEEL SPINDLE RE. CPL.265MM 00	1
41	50310084000	CHAIN TENSIONER R/S 2000	1
42	50304040100	SCREW M10X1,25X50 WS=10	2
43	58414030000	HH COLLAR NUT M10X1,25 WS=13	2
44	50310099000	HEXAGON NUT M20X1,5 '98	1

065931000 / C065931000

* NEW PART

X AS REQUIRED

REAR BRAKE CALIPER

560 SMR 2006

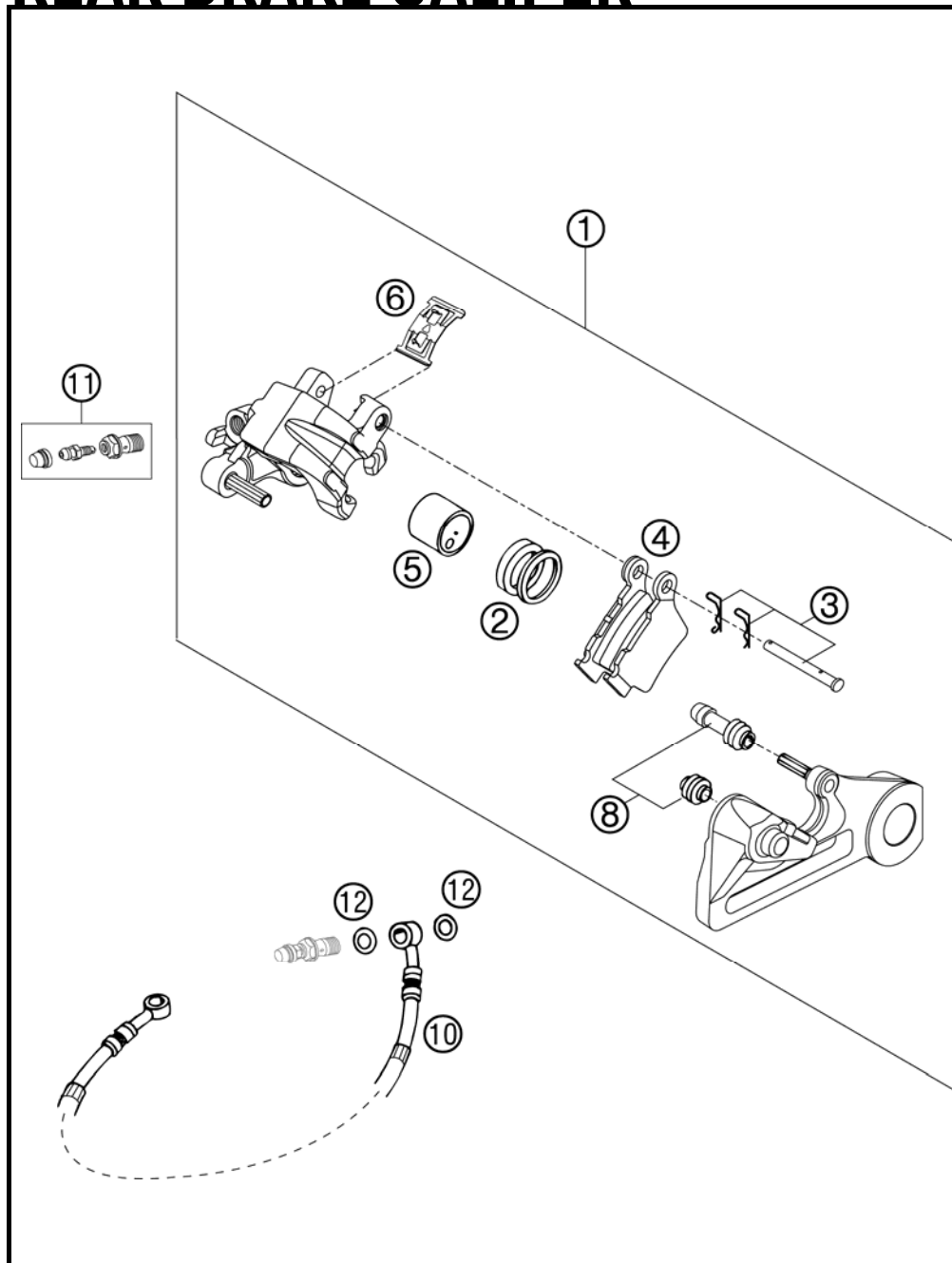


FIG	PART NUMBER	DESCRIPTION	QTY
1	54813080144	BRAKE CALIPER REAR CPL. 2005	1
2	50313081200	REPAIR KIT SEALING RINGS 26MM	1
3	54813082000	BOLT SET FOR BRAKE CALIPER 03	1
4	54813090300	BRAKE PAD SET REAR TOYO	1
5	54813083000	BRAKE PISTON 26MM 2003	1
6	54813018000	RETAINING SPRING SET 2003	1
8	54613218000	CUP SET SHORT	1
10	54813070000	BRAKE HOSE REAR 655MM 03	1
11	54813020000	BLEEDER HOLLOW SCREW M10X1	1
12	42013226000	CU-SEAL RING DIN7603-10X16X1	2

03590136 / C065901304

* NEW PART

X AS REQUIRED

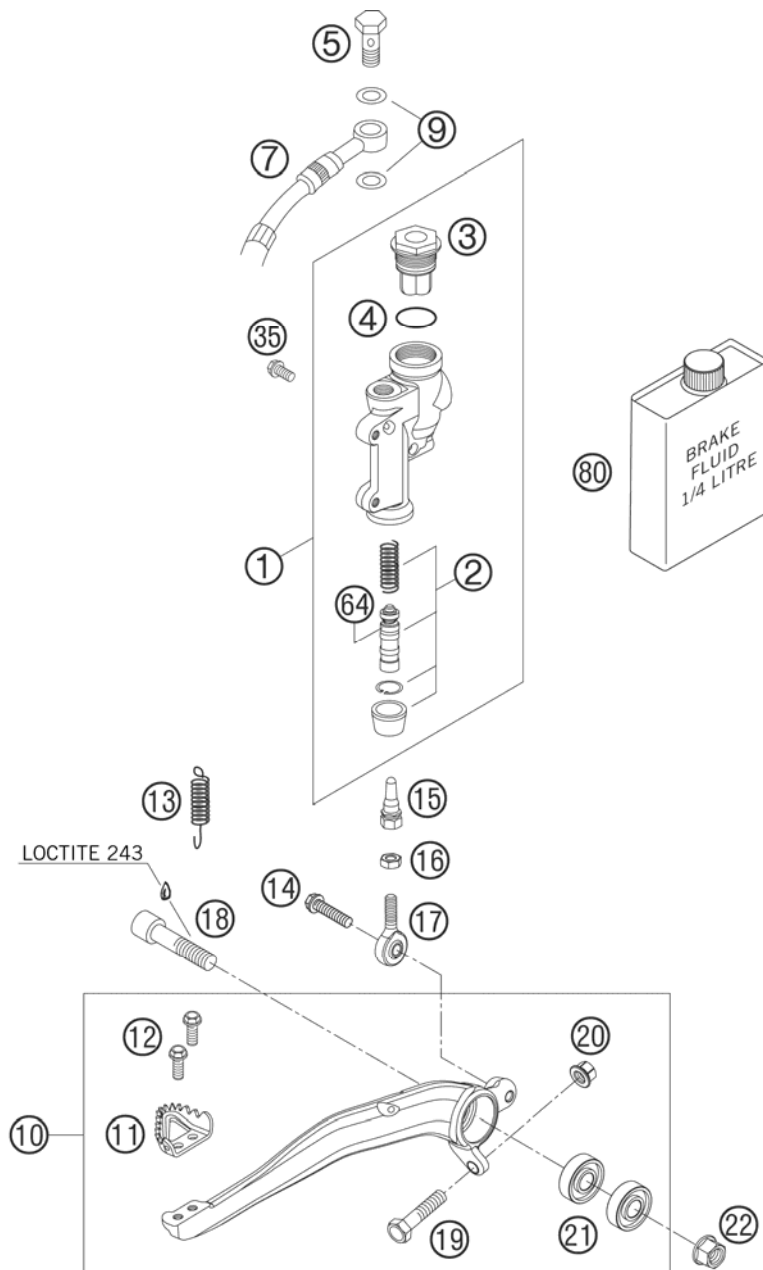


FIG	PART NUMBER	DESCRIPTION	QTY
1	54813060100	REAR BRAKE CYLINDER CPL. 2004	1
2*	54813061200	REPAIR KIT PISTON 13MM 06	1
3	54813062100	REAR BRAKE CYL. COVER CPL. 04	1
4	54813063000	FOOT-BRAKE CYL. GASKET SX 03	1
5	54813020100	HOLLOW SCREW BLACK M10X1X19	1
7	54813070000	BRAKE HOSE REAR 655MM 03	1
9	42013226000	CU-SEAL RING DIN7603-10X16X1	2
10	54813050044	FOOT BRAKE LEVER CPL. 03	1
11	54813051000	STEP PLATE FOR BRAKE LEVER	1
12	0015050123	HH COLLAR SCREW M 5X12 WS=8	2
13	54603062000	RETURN SPRING FOR BRAKE LEVER	1
14	0015060203	HH COLLAR SCREW M 6X20 WS=8	1
15	54813056000	PUSH ROD L=28MM 03	1
16	0934060003	HEXAGON NUT DIN0934-M 6	1
17	54813055000	SWIVEL HEAD KA6 03	1
18	0912100406	AH SCREW DIN6912 M10X40 10.9	1
19	59001037000	SPECIAL SCREW M8X26 WS=10	1
20	46030045000	COLLAR NUT M8 WS=10	1
21	0625060002	BALL BEARING SKF 6000-2RS1	2
22	54630044000	COLLAR NUT M10 WS=13	1
35	0015060123	HH COLLAR SCREW M 6X12 WS=8	2
64*	54813064200	BELLOWS FOR REPAIR KIT 06	1
80	306054	* BRAKE FLUID DOT 5.1	1

065901305 / C065901305

* NEW PART

X AS REQUIRED

HAND BRAKE CYLINDER

560 SMR 2006

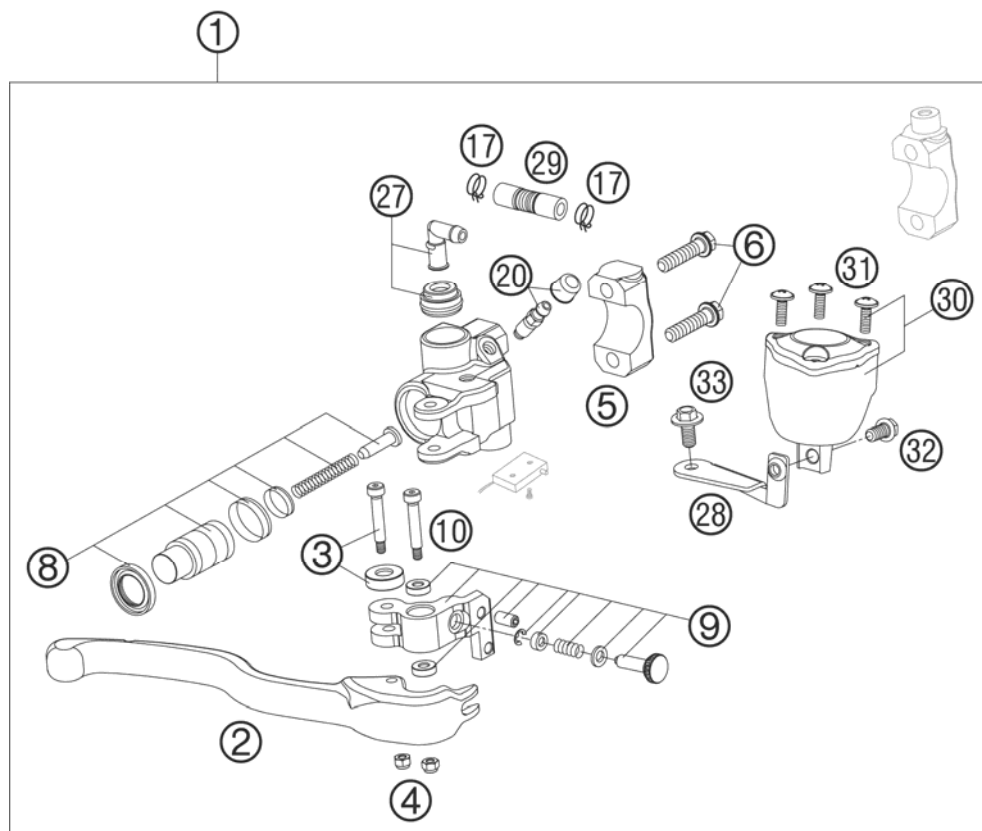


FIG	PART NUMBER	DESCRIPTION	QTY
1	58613001044	HANDBRAKECYLINDER CPL.	05 1
2	58613002000	HANDBRAKE LEVER	05 1
3	58613002150	LEVER SCREW	05 1
4	0985040003	SELF LOCKING NUT DIN0985-M 4	2
5	58613005150	CLAMP	05 1
6	0015060253	HH COLLAR SCREW M 6X25 WS=8	2
8	58613008000	REP. SET PISTON	05 1
9	58613002050	ROCKER CPL.	05 1
10	58613006000	BEARING BOLT	05 1
17	59007017000	CLAMP YDNAC 10096F (9,6MM)	2
20	58613020000	BLEEDER SCREW WITH CAP	1
27	58613027000	CONNECTING TUBE CPL.	05 1
28	58613028000	RETAINING PLATE	05 1
29	58613029150	HOSE FOR RESERVOIR	05 1
30	58613029044	BRAKE FLUID RESERVOIR CPL.	05 1
31	58613029050	FIXING SCREW F. RESERV.	05 3
32	0015060123	HH COLLAR SCREW M 6X12 WS=8	1
33	0014060133	HH COLLAR SCREW M 6X13 WS=8	1
36	0603100141	COPPER GASKET DIN7603-10X14X1	2
37	58613012100	BRAKEHOSE 1175MM	05 1
38	58613013100	HOLLOW SCREW	05 1
80	306054	* BRAKE FLUID DOT 5.1	1

05593130 / C065931300

* NEW PART

X AS REQUIRED

BRAKE CALIPER FRONT

560 SMR 2006

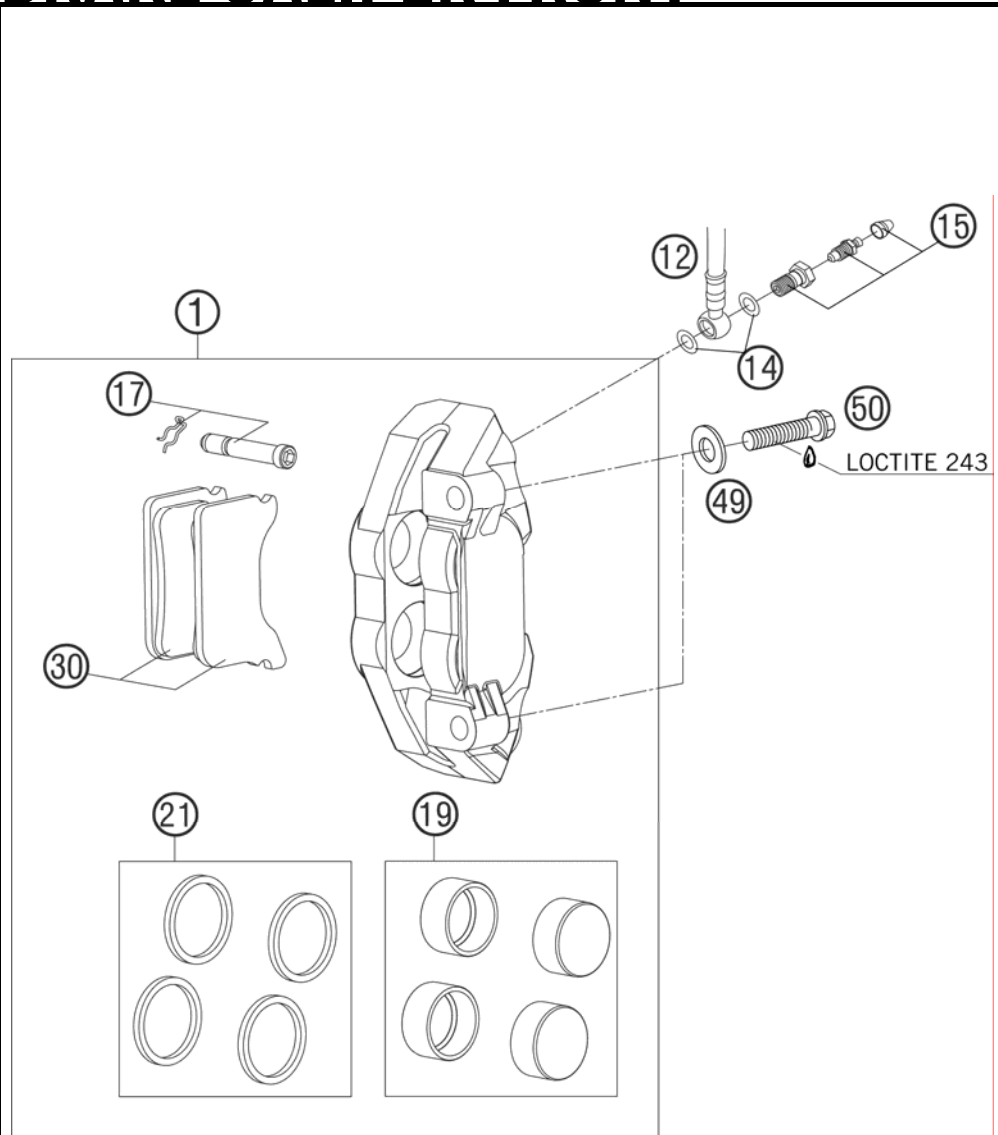


FIG	PART NUMBER	DESCRIPTION	QTY
1*	58613015144	BRAKE CALIPER FRONT CPL. 05	1
12	58613012100	BRAKEHOSE 1175MM 05	1
14	0603100141	COPPER GASKET DIN7603-10X14X1	2
15	58613013000	HOLLOW-BLEEDER SCREW CPL. 05	1
17	58613017000	BOLT CPL. 05	1
19	58613019000	PISTON KIT CPL. 05	1
21	58613021000	SEAL RING KIT CPL. 05	1
30*	58613030200	BRAKE PAD 06	x
30*	58613030300	BRAKE PAD 06	1
49	58413049000	WASHER 10,2X20X2,5 MM 04	2
50	0015100359	HH COLLAR SCREW M10X35 WS=13	2

05800134 / C065931302

* NEW PART

X AS REQUIRED







KTM-Sportmotorcycle AG
A-5230 Mattighofen
www.ktm.at

KTM Group Partner



3CF8503F0EN



Art.Nr.: 3CF8503F0EN 8/2005