

625 SXC

KTM
SPORTMOTORCYCLES

BEDIENUNGSANLEITUNG

OWNER'S MANUAL
MANUALE D'USO
MANUEL D'UTILISATION
MANUAL DE INSTRUCCIONES

2003



Art.Nr. 3.210.53 8/2002

IMPORTANT

WE STRONGLY SUGGEST THAT YOU READ THIS MANUAL CAREFULLY AND COMPLETELY BEFORE GOING ON YOUR FIRST RIDE. IT CONTAINS A GREAT DEAL OF INFORMATION AND ADVICE WHICH WILL HELP YOU USE AND HANDLE YOUR BIKE PROPERLY. IN YOUR OWN INTEREST, PLEASE PAY PARTICULAR ATTENTION TO NOTICES THAT ARE MARKED AS FOLLOWS:

△ **WARNING** △

IGNORING THESE INSTRUCTIONS, CAN ENDANGER YOUR BODY AND YOUR LIFE.

! **CAUTION** !

IGNORING THESE INSTRUCTIONS COULD CAUSE DAMAGE TO PARTS OF YOUR MOTORCYCLE OR THAT THE MOTOR-CYCLE IS NOT ROAD-SAFE ANYMORE.

Please insert the serial numbers of your motorcycle in the boxes below

Frame number

Engine number

Key number

Stamp of dealer

CONSUMER INFORMATION FOR AUSTRALIA ONLY

Tampering with noise control system prohibited

Owners are warned that the law may prohibit:

- (a) The removal or rendering inoperative by any person other than for purposes of maintenance, repair or replacement, of any device or element of design incorporated into any new vehicle for the purpose of noise control prior to its sale or delivery to the ultimate purchaser or while it is in use; and
- (b) the use of the vehicle after such device or element of design has been removed or rendered inoperative by any person.

KTM SPORTMOTORCYCLE AG RESERVES THE RIGHT TO MODIFY ANY EQUIPMENT, TECHNICAL SPECIFICATIONS, COLORS, MATERIALS, SERVICES OFFERED AND RENDERED, AND THE LIKE SO AS TO ADAPT THEM TO LOCAL CONDITIONS WITHOUT PREVIOUS ANNOUNCEMENT AND WITHOUT GIVING REASONS, OR TO CANCEL ANY OF THE ABOVE ITEMS WITHOUT SUBSTITUTING THEM WITH OTHERS. IT SHALL BE ACCEPTABLE TO STOP MANUFACTURING A CERTAIN MODEL WITHOUT PREVIOUS ANNOUNCEMENT. IN THE EVENT OF SUCH MODIFICATIONS, PLEASE ASK YOUR LOCAL KTM DEALER FOR INFORMATION.

Introduction

We would like to congratulate you on your purchase of a KTM motorcycle.

You are now the owner of a state-of-the-art sport motorcycle that guarantees to bring you lots of fun and enjoyment, provided that you clean and maintain it appropriately. **Before you go for your first ride, be sure to read this manual carefully and thoroughly in order to familiarize yourself with how to operate your new motorcycle and with its characteristics, even if this means that you will have to dedicate some of your valuable time to this task. Only by doing so will you learn how to tune your motorcycle to your specific needs and how to protect yourself against injury. Besides, this manual contains important information on motorcycle maintenance.** At the time this manual was typeset, it was up-to-date with the latest state of this production series. It cannot be completely ruled out, however, that minor discrepancies may exist resulting from further design upgrades of these motorcycles. This manual is an important part of your motorcycle and should be passed on to any subsequent owner in case you decide to sell it.

We expressly point out that work marked with an asterisk in the chapter "Maintenance work on the chassis and engine" must be performed. If maintenance work should become necessary during a competition it should be performed by a trained mechanic. KTM strongly recommends that all service work to your KTM should be performed by a qualified KTM dealer.

For your own safety, use KTM-approved parts and accessories only. KTM is not liable for damage that arises in connection with the use of other products.

Take special care to follow the recommended run in, inspection, and maintenance intervals. Heeding these guidelines will significantly increase the life of your motorcycle. To ensure that all work to your KTM is performed properly and to avoid warranty conflicts, KTM recommends that you always have your KTM serviced by a recognized and qualified KTM dealer.

Off-road motorcycle driving is a wonderful sport and we hope that you will be able to enjoy it to the full. It may, however, involve potential problems for the environment or lead to conflicts with others. These problems or conflicts can be avoided if the motorcycle is used responsibly. To safeguard the future of motorcycle sports, make sure that you use the motorcycle in accordance with the law, show that you are environmentally conscious and respect the rights of others.

We wish you a lot of fun when driving !

KTM SPORTMOTORCYCLE AG
5230 MATTIGHOFEN, AUSTRIA

Attachments: Spare parts manual chassis & engine

ALL RIGHTS RESERVED TO MAKE ALTERATIONS TO DESIGN AND MODEL.

© by KTM SPORTMOTORCYCLE AG, AUSTRIA All rights reserved

IMPORTANT LIMITED WARRANTY AND LIMITED GUARANTEE INFORMATION

KTM sports motorcycles are designed and constructed to resist the usual wear and tear of normal use in competitions.

The motorcycles comply with the regulations and categories currently in effect with the leading international motorcycle associations.

The service, care and operating instructions for the engine and chassis specified in the owner's manual must be observed to ensure that the bike runs smoothly and to avoid premature wear. An improperly tuned chassis can lead to damage and breakage of the chassis components.

The service work specified in the "Lubrication and Maintenance Schedule" must be performed and service records must be kept for warranty documentation. Lack of proper service and maintenance records or documentation could void warranty.

The fuels and lubricants specified in the owner's manual or those of an equal quality must be used in accordance with the maintenance schedule.

The warranty or guarantee shall become void for damage and consequential damage caused by manipulations or conversions to the motorcycle.

The use of the motorcycle under extreme conditions, e.g. on extremely muddy and wet terrain, can lead to higher than average wear on components such as the drive train or the brakes. In this case it may become necessary to service or replace wear parts before the service limit specified in the maintenance schedule has been reached.



REG.NO. 12 100 6061

In accordance with the international quality management ISO 9001 standard, KTM uses quality assurance processes that lead to the highest possible product quality.

Index

	Page		Page
SERIAL NUMBER LOCATIONS	5	Changing the basic position of the brake pedal	30
Chassis number	5	Checking the rear brake pads	30
Engine number, engine type	5	Replacing the rear brake pads.....	30
OPERATION INSTRUMENTS	5	Dismounting and mounting the front wheel.....	31
Clutch lever	5	Dismounting and mounting the rear wheel.....	31
Hand decompression lever.....	5	Tires, air pressure.....	32
Hand brake lever	5	Checking spoke tension.....	32
Indicator lamps.....	6	Battery for digital speedometer.....	32
Electronic speedometer.....	6	Kilometers or miles	32
Tripmaster switch	7	Check/set distance of the magnetic sensor	33
Overview of tripmaster functions	10	Setting the clock.....	33
Ignition lock	11	Activating/deactivating the display modes.....	33
Combination switch.....	11	Battery	34
Flasher switch.....	11	Charging the battery	34
Emergency OFF button	11	Fuses	35
Filler cap.....	11	Replacing headlight lamp/parking light lamp.....	35
Fuel tap	12	Exchanging the brake light and tail light bulb	36
Choke	12	Cooling system.....	36
Hot start device	12	Checking the coolant level.....	37
Shift lever.....	12	Cleaning air filter	37
Kickstarter	13	Exhaust system.....	38
Foot brake pedal	13	Cleaning the spark arrester (USA).....	38
Handlebar lock	13	Adjusting the throttle cable	39
Compression damping of fork	14	Checking the adjustment of the hand decompression cable ..	39
Rebound damping of fork	14	Checking the oil level of the hydraulic clutch	40
Compression damping of shock absorber	14	Bleeding of the hydraulic clutch.....	40
Rebound damping of shock absorber	14	Draining the float chamber of the carburetor.....	40
GENERAL TIPS AND WARNINGS FOR STARTING THE MOTORCYCLE.....	16	Carburetor – Adjust idling (Keihin FCR-MX41)	41
DRIVING INSTRUCTIONS	17	Adjusting the mixture control screw	41
PERIODIC MAINTENANCE-SCHEDULE	20	Checking the float level (Keihin FCR-MX41).....	41
MAINTENANCE WORK ON CHASSIS AND ENGINE	22	Carburetor – Adjust idling (Mikuni BST40).....	42
Removal of seat.....	22	Checking the float level (Mikuni BST40).....	42
Tool set	22	Engine oil	43
Check and adjust steering head bearing	23	Checking the engine oil level.....	43
Breather plugs front fork	23	Oil circuit.....	43
Cleaning the dust sleeves of the telescopic fork.....	23	Changing the engine oil	44
How to change the handlebar position	24	Changing and bleeding the microfilter.....	44
Changing the spring preloading of the shock absorber ..	24	Changing oil filter.....	45
Checking rubber ring on the WP rear shock absorber ..	25	TROUBLE SHOOTING.....	46
Lubricate rear suspension linkage	25	CLEANING.....	49
Checking chain tension.....	25	CONSERVATION FOR WINTER OPERATION	49
Correct chain tension.....	25	STORAGE	49
Chain maintenance.....	26	Re-initiation after time of storage.....	49
Chain wear.....	26	TECHNICAL SPECIFICATIONS - ENGINE	50
General informations about KTM disc brakes.....	27	TECHNICAL SPECIFICATIONS - CHASSIS.....	52
Adjusting of free travel at the hand brake lever	28	CONSUMER INFORMATION FOR USA ONLY.....	54
Checking brake fluid level - front brake	28	HEAD WORD INDEX.....	57
Refilling the front brake fluid reservoir.....	28	WIRING DIAGRAMME	APPENDIX
Check the front brake pads	28		
Replacing front brake pads.....	29		
Check the rear brake fluid level	29		
Refilling the rear brake fluid reservoir	29		

SERIAL NUMBER LOCATIONS

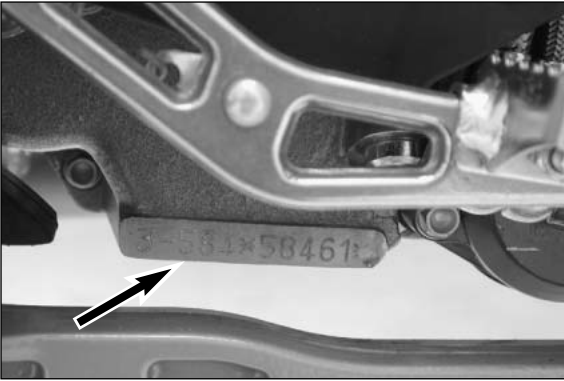
Chassis number

The chassis number is stamped on the right side of the steering head tube. Write this number into the relevant area on page 1.



Engine number, engine type

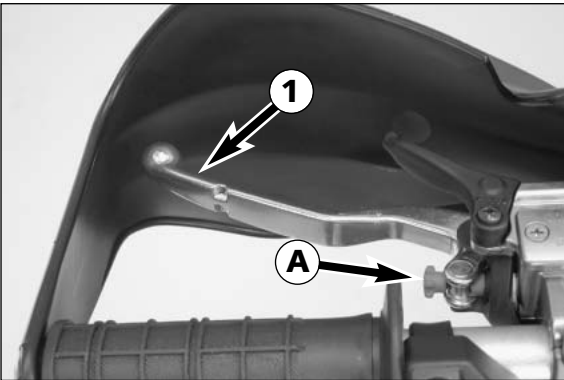
The engine number and engine type are stamped on the right hand side of the engine below the chain sprocket. Write this number into the relevant area on page 1.



OPERATION INSTRUMENTS

Clutch lever

The clutch lever ① is located on the left side of the handlebar. The adjusting screw ① is used to change the original position of the clutch lever (see maintenance work on chassis and engine).



Hand decompression lever

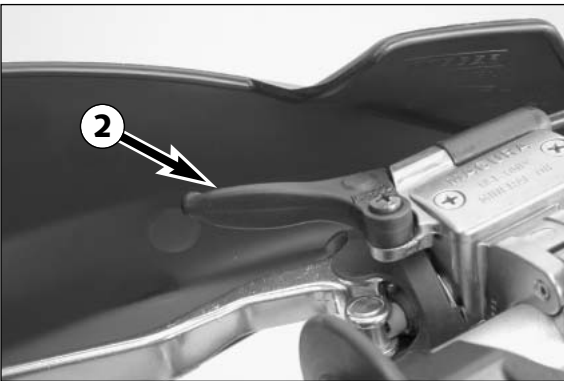
The hand decompression lever ② is only used in two special cases:

a) When the engine stalled.

It is possible that the starter motor is not able to crank the engine on the next attempt. This is due to the fact that the automatic decompressor doesn't work properly. If this happens, pull the manual decompression lever and start again. Afterwards normal starting will be possible.

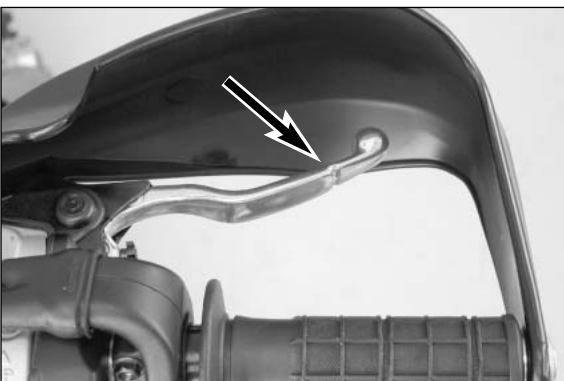
b) When you want to push the motorcycle.

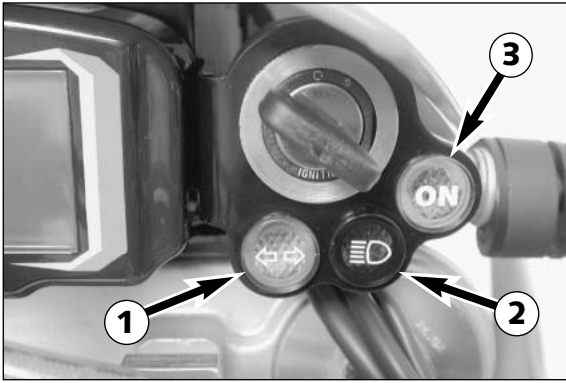
While pushing, pull the hand decompression lever to make it easier to get the engine going.






Hand brake lever

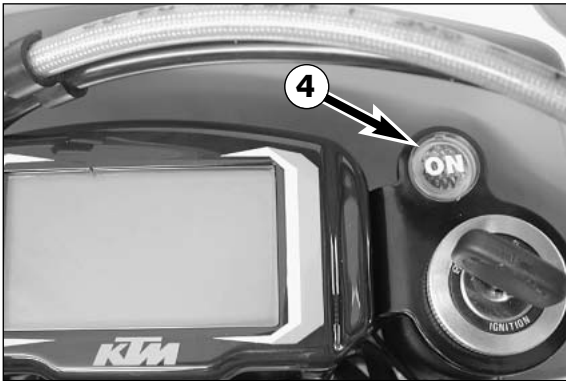
The hand brake lever is mounted on the right side of the handle bar and actuates the front wheel brake.






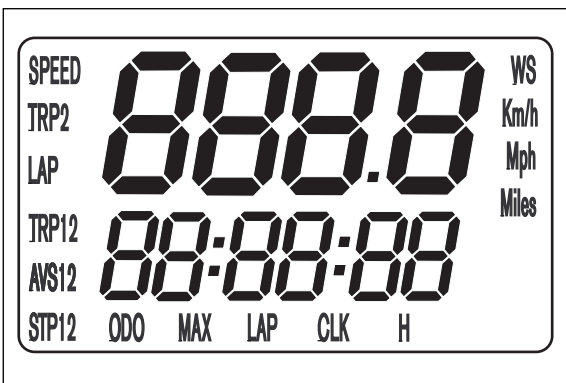
Indicator lamps

-  The green control lamp ❶ flashes when the indicator is working in the same rhythm as the flashing indicator.
-  The blue control lamp ❷ lights up when the high beam is on.
-  The orange indicator lamp ❸ will light when the ignition is switched on.



Indicator lamp (USA)

-  The orange indicator lamp ❹ will light when the ignition is switched on.



Electronic speedometer

The electronic speedometer display is activated as soon as the engine is switched on and the motorcycle starts to move. The engine must be started in order for the speedometer to be supplied with electricity from the generator. The display is not activated until the front wheel has made 1 revolution (impulse for speedometer).

TEST

All of the display elements will light up for 1 second for the function test.



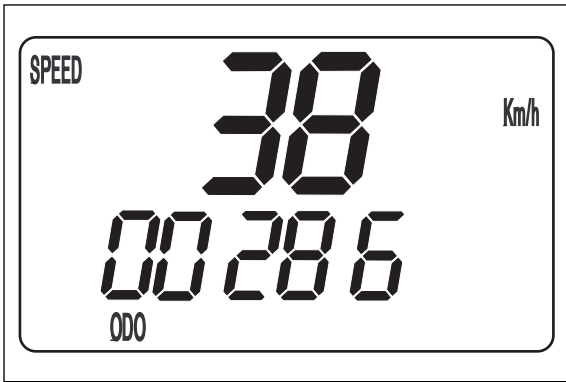
WS (wheel size)

The display will change and briefly show the diameter of the front wheel in millimeters. If the front wheel does not turn, the display will automatically change to the SPEED/H mode. If the front wheel turns, the display will automatically change to the SPEED /ODO mode.



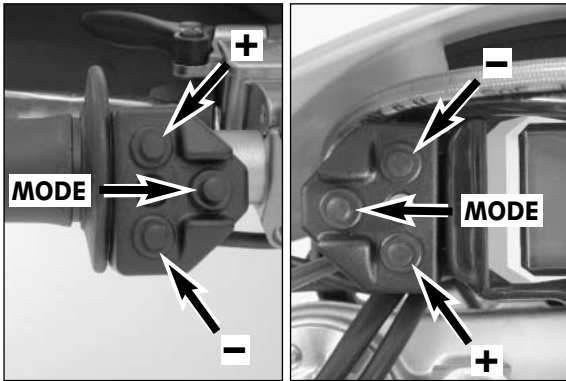
SPEED/H (hours) display mode

When you stop driving and no impulses are sent from the wheel sensor, the display mode will automatically change from SPEED/ODO to SPEED/H. H shows the operating hours. The operating hour counter starts to count as soon as you start the engine. The displayed figure cannot be cleared. Service intervals are indicated in operating hours for some KTM offroad motorcycles, making the operating hour counter a very practical function.



SPEED/ODO display mode

The SPEED/ODO mode shows the speed and the total kilometers traveled. When the front wheel stops turning, the display will automatically change to the SPEED/H mode. The information will disappear in the display when the front wheel stops turning for 1 minute.



Tripmaster switch

The switch has 3 buttons: MODE, + (plus) and - (minus). The tripmaster switch is mounted on the outer left of the handlebar on the USA models. The switch is located to the left of the speedometer on European models but can also be mounted on the outer left of the handlebar with a retaining clamp (ET.NO. 583.14.069.350).

WARNING

DO NOT TRY TO CHANGE THE MODE OR READ THE SETTINGS WHILE DRIVING. YOUR ATTENTION WILL BE DISTRACTED FROM THE TRAFFIC WHICH CAN EASILY LEAD TO AN ACCIDENT.

Electronic speedometer functions provided by the Tripmaster switch

The display modes on the electronic speedometer will change in the following order. If not, please read the chapter "ACTIVATING AND DEACTIVATING THE DISPLAY MODE."



SPEED/ODO display mode

SPEED displays the speed in KPH or MPH. The displayed figure cannot be cleared.

ODO displays the kilometers or miles traveled. The displayed figure cannot be cleared.

- + BUTTON no function
- BUTTON no function
- press the MODE BUTTON to change to the next mode
- press and hold the MODE BUTTON 3 SECONDS to change to the next mode



SPEED/MAX display mode

MAX displays the maximum speed. It is always active.

- + BUTTON no function
- BUTTON no function
- press the MODE BUTTON to change to the next mode
- press and hold the MODE BUTTON 3 SECONDS to reset the MAX figure to 0



SPEED/LAP display mode

LAP displays the stopped lap time in hours, minutes and seconds.

- + BUTTON Starts and stops the stop watch. The lap time is not reset to 0.
- BUTTON Stops the running stop watch, stores the lap time and restarts the stop watch. The time is reset to 0. A total of 10 lap times can be stored and read in the SPEED/LAP display mode. To clear all of the stored lap times, hold the MODE button for 3 seconds in the SPEED/LAP mode.
- press the MODE BUTTON to change to the next mode
- If no lap time is stored or the motorcycle is driving, the LAP/LAP mode will be skipped.
- press and hold the MODE BUTTON 3 SECONDS to reset the LAP figure and all stored lap times to 0



LAP/LAP display mode

The lap number is shown at the top and the lap time in hours, minutes and seconds at the bottom of the display.

If no lap time is stored or the motorcycle is driving, the LAP/LAP mode will be skipped.

Hold the MODE button for 3 seconds in the SPEED/LAP mode to clear the stored lap times.

+ BUTTON changes to the next lap time.

– BUTTON no function

press the MODE BUTTON to change to the next mode

press and hold the MODE BUTTON 3 SECONDS to change to the next mode



SPEED/CLK (clock) display mode

CLK will display time in hours, minutes and seconds.

+ BUTTON no function

– BUTTON no function

press the MODE BUTTON to change to the next mode.

press and hold the MODE BUTTON 3 SECONDS to set the time in the menu (see SETTING THE CLOCK)



SPEED/H (hours) display mode

When you stop driving and no impulses are sent from the wheel sensor, the display mode will automatically change from SPEED/ODO to SPEED/H. H shows the operating hours. The operating hour counter starts to count as soon as you start the engine. The displayed figure cannot be cleared.

Service intervals are indicated in operating hours for some KTM offroad motorcycles, making the operating hour counter a very practical function.

+ BUTTON no function

– BUTTON no function

press the MODE BUTTON to change to the next mode

press and hold the MODE BUTTON 3 SECONDS to change to the SETUP mode (see REVEALING/CONCEALING functions).



SPEED/TRP1 (trip 1) display mode

The TRP1 trip meter is always active and counts to 999.9. It is used to measure the length of a trip or the distance between 2 refueling stops.

TRP1 is linked to AVS1 and STP1. The calculation of these figures is activated by the first impulse received from the wheel sensor (when the front wheel starts to turn) and stops 3 seconds after the last impulse is received (when the front wheel has stopped).

The TRP1, AVS1 and STP1 figures are automatically reset to 0 after passing 999.9.

+ BUTTON no function

– BUTTON no function

press the MODE BUTTON to change to the next mode.

press and hold the MODE BUTTON 3 SECONDS to automatically reset the TRP1, AVS1 and STP1 figures to 0.



SPEED/AVS1 (average speed 1) display mode

AVS1 is always active and shows the average speed based on the TRP1 and STP1 figures. The calculation of this figure is activated by the first impulse received from the wheel sensor and stops 3 seconds after the last impulse is received.

+ BUTTON no function

– BUTTON no function

press the MODE BUTTON to change to the next mode

press and hold the MODE BUTTON 3 SECONDS to reset the TRP1, AVS1 and STP1 figures to 0.



SPEED/STP1 (stop 1) display mode

STP1 shows the traveling time based on TRP1 and continues to count whenever it receives impulses from the wheel sensor. The calculation of this figure is activated by the first impulse received from the wheel sensor and stops 3 seconds after the last impulse is received.

- + BUTTON no function
- BUTTON no function
- press the MODE BUTTON to change to the next mode
- press and hold the MODE BUTTON 3 SECONDS to reset the TRP1, AVS1 and STP1 figures to 0.



SPEED/TRP2 (trip 2) display mode

The TRP2 trip meter is always active and counts to 999.9. Contrary to TRP1, the displayed figure can be changed using the + and - buttons. This is a very useful function for trips taken according to a roadbook. TRP2 is activated by the first impulse received from the wheel sensor and stops automatically 3 seconds after the last impulse is received.

- + BUTTON increases the TRP2 figure
- BUTTON decreases the TRP2 figure
- press the MODE BUTTON to change to the next mode
- press and hold the MODE BUTTON 3 SECONDS to reset TRP2 to 0



SPEED/AVS2 (average speed 2) display mode

AVS2 shows the average speed based on the TRP2 and STP2 figures. The calculation of this figure is activated by the first impulse received from the wheel sensor and stops 3 seconds after the last impulse is received. The displayed figure will deviate from the actual average speed if TRP2 was changed manually or if STP2 was not stopped after the trip.

- + BUTTON no function
- BUTTON no function
- press the MODE BUTTON to change to the next mode
- press and hold the MODE BUTTON 3 SECONDS to change to the next mode

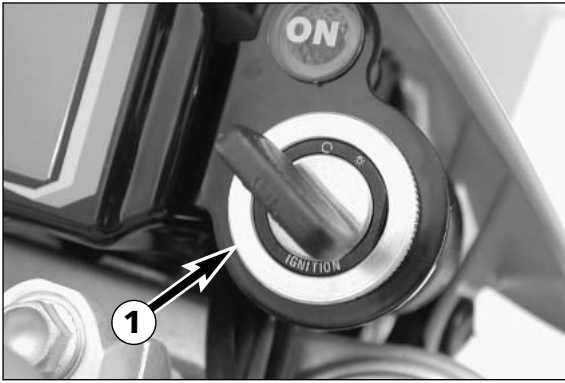


SPEED/STP2 (stop 2) display mode

STP2 is a manual stop watch. Start the stop watch by pressing the + button, press again to hold. Press again to continue timing. Press the MODE button to change to the next mode. The STP2 display will blink in the other modes if STP2 continues to run in the background. To stop STP2, return to the SPEED/STP2 mode and press the + button.

- + BUTTON starts and stops the stop watch
- BUTTON no function
- press the MODE BUTTON to change to the next mode
- press and hold the MODE BUTTON 3 SECONDS to reset STP2 figures to 0

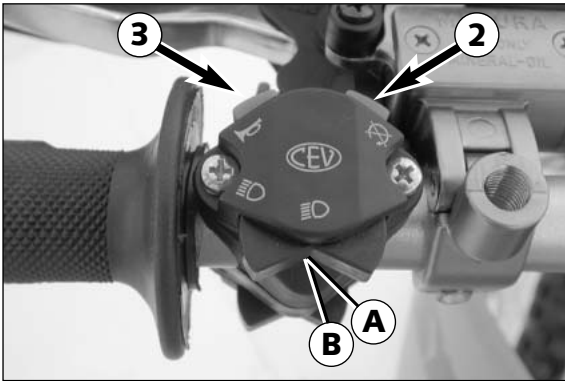
Standing motorcycle Driving motorcycle		OVERVIEW OF TRIPMASTER FUNCTIONS				
		Display	Press +	Press -	Press MODE	Hold MODE for 3 sec
	X	SPEED / ODO	no function	no function	next display mode	no function
X	X	SPEED / MAX	no function	no function	next display mode	resets MAX to 0
X	X	SPEED / LAP	starts / stops LAP figure LAP remains	stops LAP, stores LAP figure, resets LAP to 0	next display mode	clears all LAP figures
X		LAP / LAP	next figure	no function	next display mode	next display mode
X	X	SPEED / CLK	no function	no function	next display mode	set clock menu
X		SPEED / H	no function	no function	next display mode	display setup menu
X	X	SPEED / TRP1	no function	no function	next display mode	resets TRP1, STP1 and AVS1 to 0
X	X	SPEED / AVS1	no function	no function	next display mode	resets TRP1, STP1 and AVS1 to 0
X	X	SPEED / STP1	no function	no function	next display mode	resets TRP1, STP1 and AVS1 to 0
X	X	SPEED / TRP2	increases TRP2 figure	decreases TRP2 figure	next display mode	resets TRP2 to 0
X	X	SPEED / AVS2	no function	no function	next display mode	next display mode
X	X	SPEED / STP2	starts / stops STP2	no function	next display mode	sets STP2 to 0



Ignition lock

Switch positions of ignition lock ❶:

- ⊗ Ignition off, light off (engine can't be started)
- ⌚ Ignition on, light off (engine can be started)
- ☀ Ignition on, light on (engine can be started)

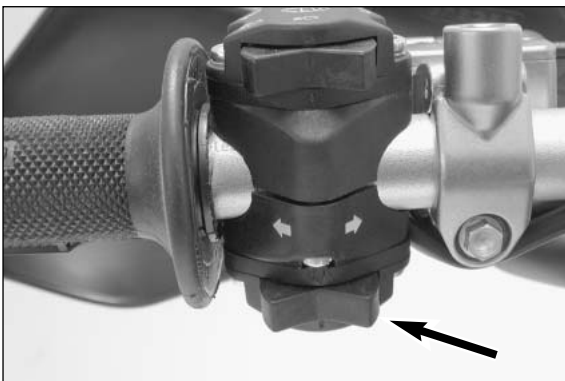


Combination switch

The light switch has 2 switch positions.

- ❶ = Low beam light
- ❷ = High beam light

The red short circuit button ❷ serves to switch off the engine. Leave the switch pressed, until the engine stops. With the button ❸ the horn will sound.

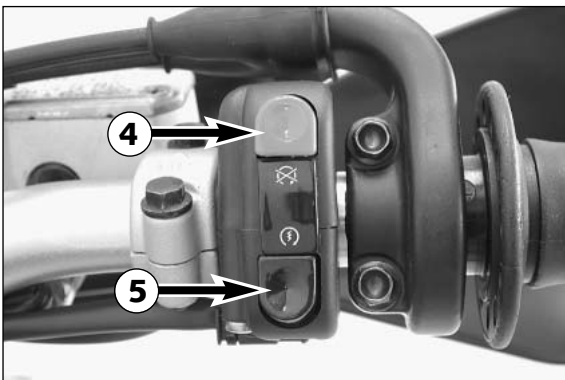


Flasher switch

The flasher switch is a separate unit and is mounted on the left portion of the handlebar.

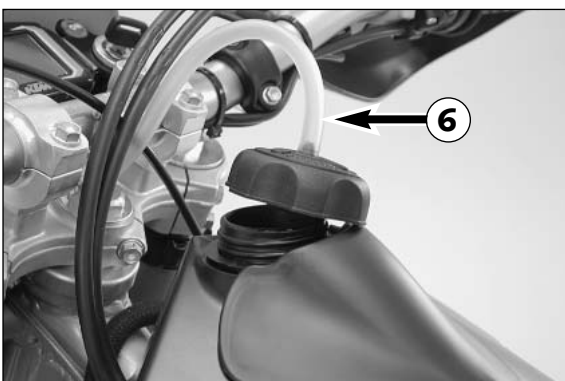
The wire harness is designed in a way that whenever you want to use your bike off-road, you can dismount the entire turn indicator system without affecting the function of the remaining electrical system.

- ⇐ Flasher left
- ⇒ Flasher right



Emergency OFF button

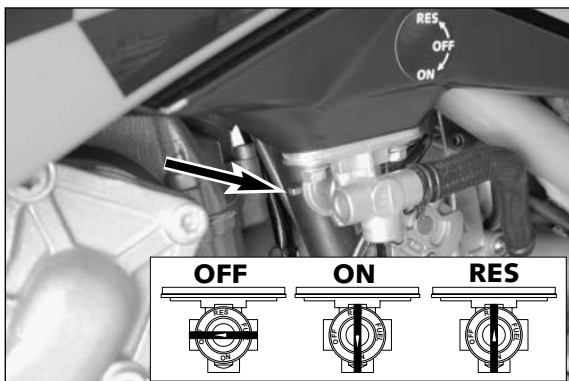
- ⊗ The red emergency-OFF button ❷ is arranged adjacent to the throttle grip. To turn off the engine, push the button until the engine comes to a standstill.
- ⚡ Pushing the black starter button ❸ will actuate the E-starter.



Filler cap

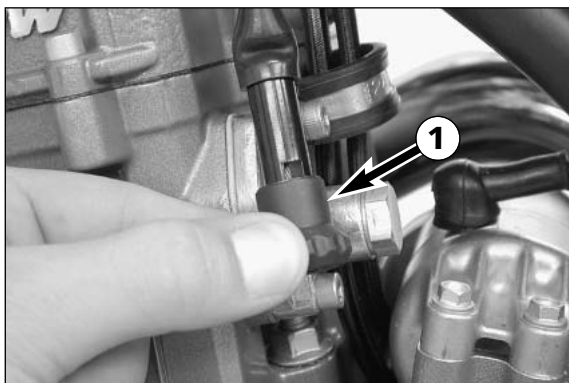
To open filler cap: Turn the filler cap counter-clockwise.
To close filler cap: Screw on the filler cap clockwise.

Install tank breather hose ❸ without kinks.



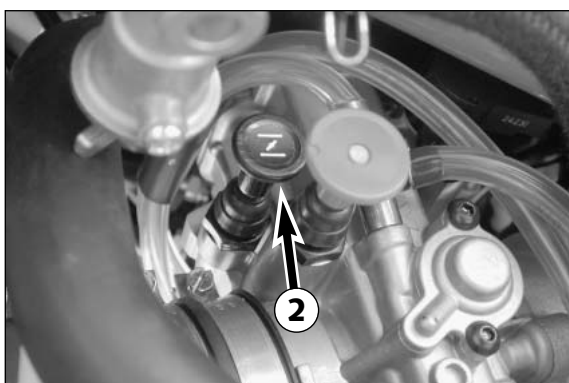
Fuel tap

- OFF** In this position the fuel tap is closed. No fuel may flow to the carburetor.
- ON** When using the motorcycle, the rotating handle must be set to the ON position. Now fuel may flow to carburetor. In this position the tank empties down to the fuel reserve of approx. 2,5 liters.
- RES** The reserve tank, approximately 2,5 liters, cannot be tapped until the rotating handle is turned to the RES position. Fill the tank as soon as possible and remember to turn the rotating handle back to the ON position so that you will have backup fuel next time, too.



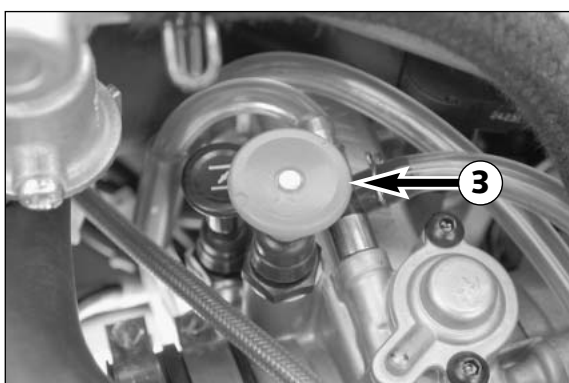
Choke (Mikuni BST40)

By pulling the choke control knob ❶ downwards and turning it approx. 90°, a hole will be opened in the carburetor through which the engine can draw in additional fuel. The result is a „fat“ fuel-air mixture of the type needed for cold starts. Turning back the choke control knob returns the knob to the starting position and closes the hole in the carburetor again.



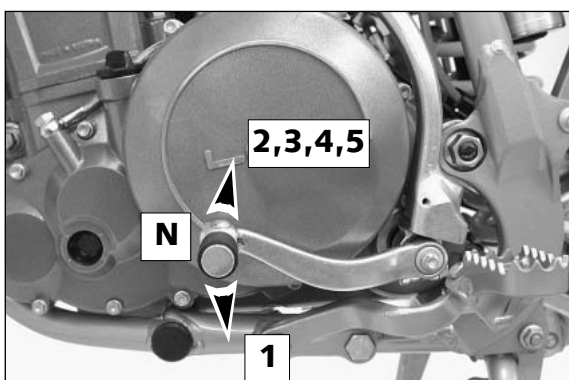
Choke (Keihin FCR - MX41)

If you pull the choke button ❷ out as far as possible, a bore in the carburetor will be opened through which the engine may take in additional fuel. The result is a „fat“ fuel-air mixture of the type needed for cold starts. To deactivate the choke, push the choke button back into its basic position.



Hot start device (Keihin FCR - MX41)

If you pull the hot start device ❸ out as far as possible, a bore in the carburetor will be opened through which the engine may take in additional air. The result is a „lean“ fuel-air mixture of the type needed for hot starts. To deactivate the hot start device, push the hot start button back into its basic position.



Shift lever

The shift lever is mounted on the left side of the engine. The position of the gears is shown in the illustration. Neutral position is located between first and second gear.



Kickstarter

The kickstarter is mounted on the left side of the engine. Its upper part can be swivelled.



Foot brake pedal

The foot brake pedal is located in front of the right foot rest. Its basic position can be adjusted to your seat position (see maintenance work).

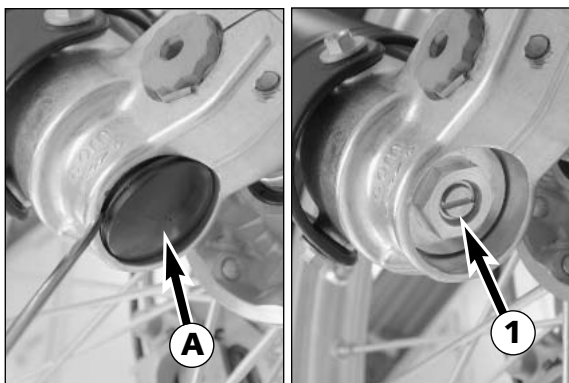


Handlebar lock

The handlebar can be locked by means of the lock located on the control head. Fully turn handlebar to right to lock, insert key, turn to left, press in, turn to right and withdraw.

! CAUTION !

NEVER LEAVE THE KEY INSERTED IN THE LOCK. IF YOU TURN THE STEERING TO THE LEFT THE KEY COULD GET DAMAGED.

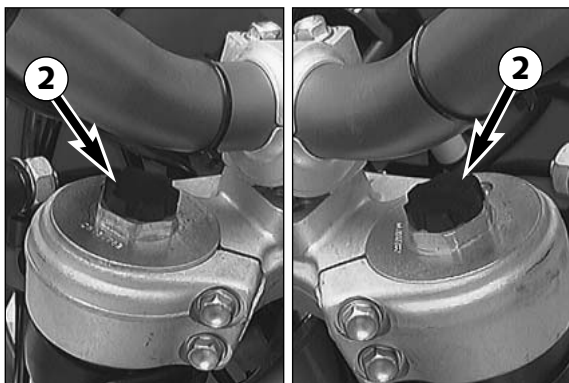


Compression damping of fork

The compression damping is to be set at the lower end of the fork tubes. It only regulates the degree of damping during compression. Remove closing cap **A**. By using the knob **1** (COM), the degree of damping of the compression can be adjusted. Turn the knob clockwise to increase damping, turn it counterclockwise to reduce damping during compression.

STANDARD ADJUSTMENT:

- turn adjusting screw clockwise as far as it will go
- turn it back by as many clicks as are specified for the relevant type of fork
WP 0518X729 20 clicks

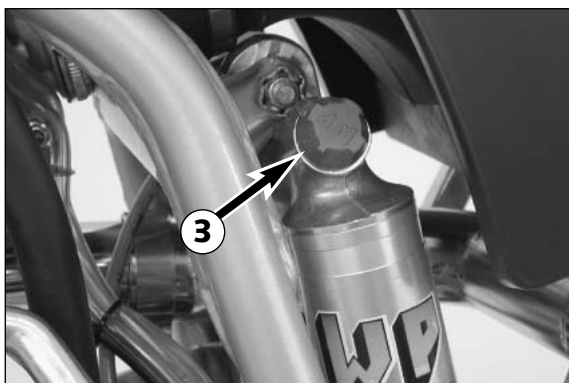


Rebound damping of fork

Hydraulic rebound damping determines the reaction when the fork is rebound. By turning the knob **2**, the degree of damping of the rebound can be adjusted. Turn the knob clockwise to increase damping, turn it counterclockwise to reduce damping during rebounding.

STANDARD ADJUSTMENT:

- turn adjusting screw clockwise as far as it will go
- turn it back by as many clicks as are specified for the relevant type of fork
WP 0518X729 12 clicks

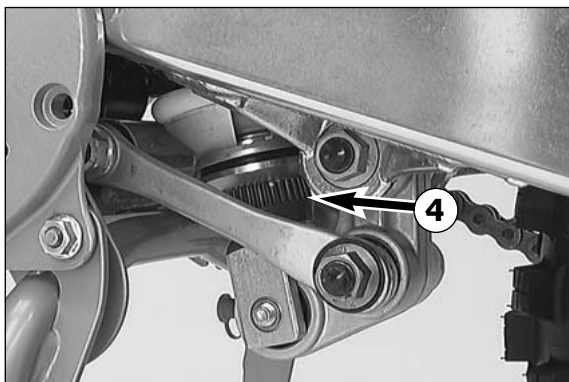


Compression damping of shock absorber

With the knob **3** the degree of damping of the compression can be adjusted. Turn the knob counterclockwise to increase damping, turn it clockwise to reduce damping during rebounding.

STANDARD ADJUSTMENT:

- WP 0118X725 position 3



Rebound damping of shock absorber

With the setting wheel **4** the degree of damping of the rebound can be adjusted. Turn the knob to the left side to increase damping, turn it to the right side to reduce damping during rebounding.

STANDARD ADJUSTMENT:

- WP 0118X725 position 5

GENERAL TIPS AND WARNINGS FOR STARTING THE MOTORCYCLE

Instructions for initial operation

- Verify that your KTM dealer performed the PREPARATION OF VEHICLE jobs (see Customer Service Manual).
- Read these operating instructions carefully before your first ride.
- Enter the chassis, engine and key numbers on page 1.
- Familiarize yourself with the operating elements.
- Adjust the hand brake lever and foot brake lever to your most comfortable position.
- Get used to handling the motorcycle on an empty parking lot or open space, before starting on a longer drive. Also try to drive as slowly as possible and in standing position, to improve your feeling for the vehicle.
- Do not drive along off-road tracks which go beyond your ability and experience.
- Hold the handlebars with both hands and leave your feet on the foot rests while driving.
- Remove your foot from the foot brake lever when you are not braking. If the foot brake lever is not released the brake pads rub continuously and the braking system is overheated.
- Do not make any alterations to the motorcycle and always use ORIGINAL KTM SPARE PARTS. Spare parts from other manufacturers can impair the safety of the motorcycle.
- Motorcycles are sensitive to alterations in the distribution of weight. If you are taking luggage with you, this should be secured as close as possible to the middle of the vehicle; distribute the weight evenly between the front and rear wheel. Never exceed the maximum permissible laden weight and the axle weights. The maximum permissible laden weight is made up of the following components:
 - Motorcycle ready for operation and tank full
 - Luggage
 - Driver with protective clothing and helmet.
- Pay attention to running-in procedure.

Running in the LC4 models

Even very precisely machined sections of engine components have rougher surfaces than components which have been sliding against one another for quite some time. Therefore, every engine needs to be broken in. For this reason, during its first 1000 kilometers (620 miles) the engine must not be revved up to its performance limits. The engine speed of 4800 r.p.m. must not be exceeded during the first 1000 kilometers (620 miles). During this break-in time, you should ride your motorcycle in different conditions (roads, easy off-road terrain). The following table shows you the maximum velocity values in the different gears at 4800 r.p.m. as based on the rear wheel transmission ratio of your motorcycle.

ratio gear	625 SXC 16:40 Z	625 SXC 15:50 Z
1. G	35 kmh	30 kmh
2. G	60 kmh	45 kmh
3. G	80 kmh	60 kmh
4. G	100 kmh	75 kmh
5. G	115 kmh	90 kmh

NOTE:

DURING THE STAGE OF RUNNING THE ENGINE IN, THAT IS THE FIRST 1000 KM (620 MILES), THE ENGINE OIL USED SHOULD BE OF A MINERAL OIL FORMULA. THIS ALSO APPLIES IF THE ENGINE HAS BEEN REPAIRED.

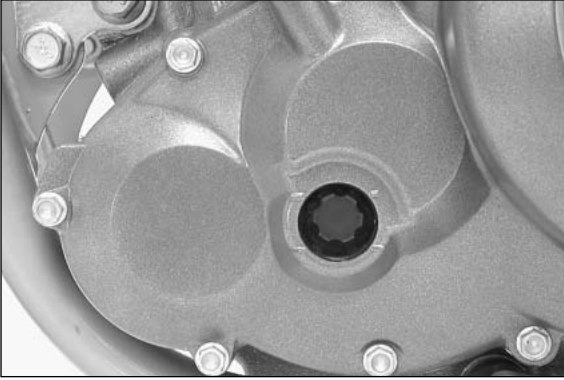


WARNING



- WEAR SUITABLE CLOTHING WHEN DRIVING A MOTORCYCLE. CLEVER KTM DRIVERS ALWAYS WEAR A HELMET, BOOTS, GLOVES AND A JACKET, REGARDLESS OF WHETHER DRIVING ALL DAY OR JUST FOR A SHORT TRIP. THE PROTECTIVE CLOTHING SHOULD BE BRIGHTLY COLORED SO THAT OTHER VEHICLE CAN SEE YOU AS EARLY AS POSSIBLE. YOUR PASSENGER WILL ALSO NEED SUITABLE PROTECTIVE CLOTHING.
- DO NOT DRIVE AFTER HAVING CONSUMED ALCOHOL.
- ALWAYS TURN ON THE LIGHT TO MAKE SURE THAT OTHER DRIVERS BECOME AWARE OF YOU AS EARLY AS POSSIBLE.
- ONLY USE ACCESSORIES THAT HAVE BEEN RELEASED BY KTM. FOR EXAMPLE, FRONT PANELLING CAN IMPAIR THE DRIVING PROPERTIES OF THE MOTORCYCLE. CASES, EXTRA TANKS ETC. CAN ALTER THE WEIGHT DISTRIBUTION AND THUS ALSO IMPAIR THE VEHICLES DRIVING PROPERTIES.
- THE FRONT AND REAR WHEEL ARE ALLOWED TO BE FITTED ONLY WITH TIRES THAT HAVE THE SAME PROFILE TYPE.
- OBSERVE THE TRAFFIC REGULATIONS, DRIVE DEFENSIVELY AND TRYING TO LOOK AHEAD AS FAR AS POSSIBLE SO THAT ANY HAZARDS CAN BE RECOGNIZED AS EARLY AS POSSIBLE.
- CHOOSE YOUR DRIVING SPEED ACCORDING TO THE CONDITIONS AND YOUR DRIVING SKILLS.
- DRIVE CAREFULLY ON UNKNOWN ROADS OR ON UNFAMILIAR TRIALS.
- RENEW THE VIZOR ON YOUR HELMET OR THE GLASS OF YOUR GOGGLES ON TIME SO AS TO ENSURE OPTIMUM VISION IN ANY SITUATION. WHEN LIGHT SHINES DIRECTLY ON SCRATCHED VISOR OR GOGGLES, THE OPERATOR WILL BE BLINDED.
- NEVER LEAVE YOUR MOTORCYCLE WITHOUT SUPERVISION IF THE ENGINE IS RUNNING.
- THESE MODELS WERE DESIGNED AND BUILT FOR ONE PERSON ONLY - NO ADDITIONAL PASSENGER ALLOWED!
- WHEN RIDING YOUR MOTORCYCLE, PLEASE BEAR IN MIND THAT OTHER PEOPLE MAY FEEL MOLESTED BY EXCESSIVE NOISE.

DRIVING INSTRUCTIONS



Check the following before each start

When you start, the motorcycle must be in perfect mechanical condition. For safety reasons, you should make a habit of performing an overall check of your motorcycle before each start.

The following checks should be performed:

1 CHECK OIL LEVEL

Insufficient oil results in premature wear and consequently to engine damage.

2 FUEL

Check that there is sufficient fuel in the tank; when closing the filler cap, check that the tank venting hose is free of kinks.

3 CHAIN

A loose chain can fall from the chain wheels; an extremely worn chain can tear, and insufficient lubrication can result in unnecessary wear of chain and chain wheels.

4 TIRES

Check for damaged tires. Tires showing cuts or dents must be replaced. The tread depth must comply with the legal regulations. Also check the air pressure. Insufficient tread and incorrect air pressure deteriorate the driving performance.

5 BRAKES

Check correct functioning of the braking system. Check for sufficient brake fluid in the reservoir. The reservoirs have been designed in such a way that brake fluid does not need to be refilled even when the brake pads are worn. If the level of brake fluid falls below the minimum value, this indicates a leak in the braking system or completely worn out brake pads. Arrange for the braking system to be checked by a KTM specialist, as complete failure of the braking system can be avoided.

Also check the state of the brake hose and the thickness of the brake linings.

Check free travel at hand brake lever and foot brake lever.

6 CABLES

Check correct setting and smooth operation of all control cables.

7 COOLING FLUID

Check the level of cooling fluid when the engine is cold.

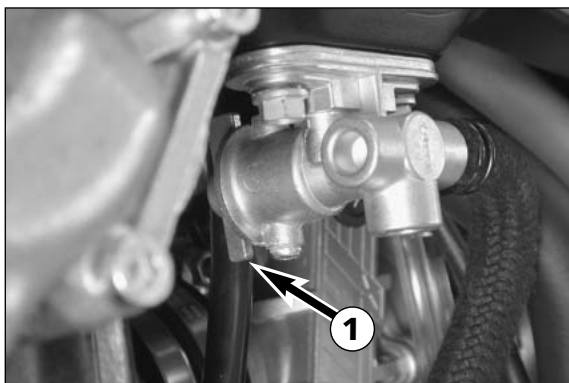
8 ELECTRICAL SYSTEM

Check correct operation of headlamps, tail-lights, brake lights, indicators, control lamps and horn while the engine is running.

9 LUGGAGE

If you are taking luggage with you, check that this is securely fastened.





Starting when the engine is cold

- 1 Open the fuel tap ❶
- 2 Switch on ignition (turn ignition key ❷ into position ☉)
- 3 Swing up the side stand or center stand
- 4 Put the gear in neutral
- 5 Operate the choke ❸
- 6 Do not accelerate; operate starter button ❹



WARNING



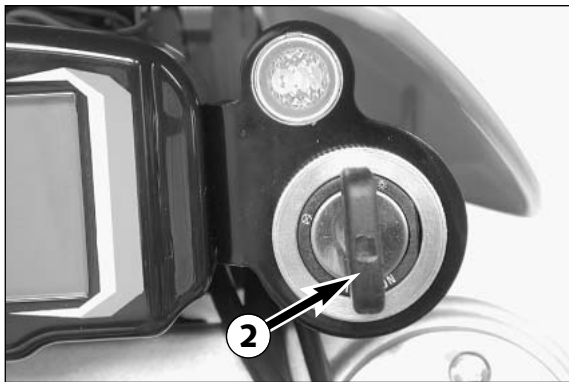
- TO AVOID INJURIES, IT IS RECOMMENDED TO WEAR BOOTS WHEN USING THE KICKSTARTER.
- DO NOT START THE ENGINE AND ALLOW IT TO IDLE IN A CLOSED AREA. EXHAUST FUMES ARE POISONOUS AND CAN CAUSE LOSS OF CONSCIOUSNESS AND DEATH. ALWAYS PROVIDE ADEQUATE VENTILATION WHILE THE ENGINE IS RUNNING.



CAUTION

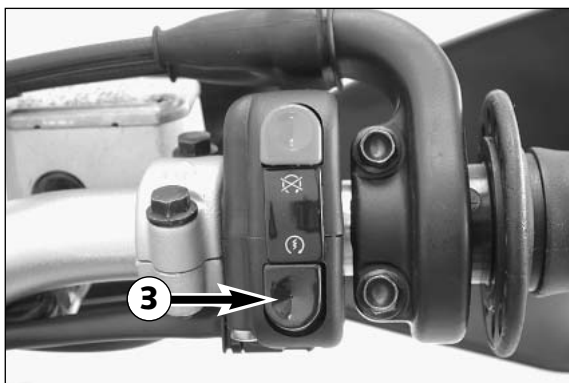


DON'T RIDE YOUR MOTORCYCLE WITH FULL LOAD AND HIGH REVS WHEN ENGINE IS COLD. BECAUSE THE PISTON IS WARMING UP FASTER THAN THE WATER COOLED CYLINDER, IT CAN CAUSE ENGINE DAMAGE.



Starting when the engine is warm or hot

- 1 Open the fuel tap ❶
- 2 Switch on ignition (turn ignition key ❷ into position ☉)
- 3 Swing up the side stand or center stand
- 4 Put the gear in neutral
- 5 Push the hot start button ❹ (Keihin carburetors only)
- 6 Do not accelerate; operate starter button ❸



What to do when the engine is „flooded“

The throttle must be fully opened when starting. If necessary change sparkplug.

Starting off

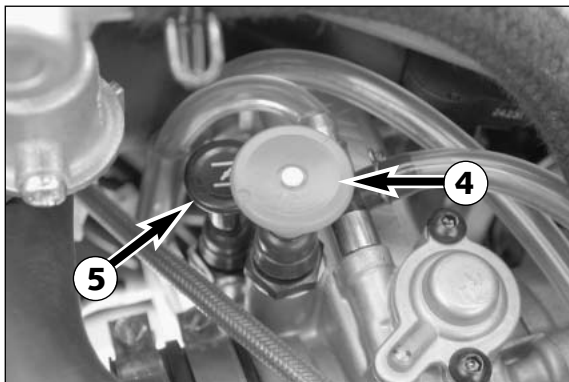
Pull the clutch lever. Put the engine into first gear, slowly release the clutch lever and open throttle at the same time.



WARNING



BEFORE YOU START, CHECK THAT THE MAIN OR SIDE STAND HAS BEEN SWUNG UP FULLY. IF THE STAND DRAGS ON THE GROUND, THE MOTORCYCLE CAN GET OUT OF CONTROL.



Shifting/Riding

You are now in first gear, referred to as the drive or uphill gear. Depending on the conditions (traffic, hill size, etc.), you can shift to a higher gear. Close throttle, at the same time pull clutch lever in and shift to the next higher gear. Let clutch lever go again and open throttle. If you turned on the choke, make sure you turn it off again as soon as engine is warm.

When you reach full speed through opening the throttle all the way, turn throttle back to ³/₄; the speed will not decrease but the engine will use less fuel.

Only give as much throttle as the engine can handle. Through quick and high revving of throttle, the fuel consumption increases. When shifting down, use the brakes if necessary and close throttle at the same time. Pull clutch lever and shift down to the next gear. Let clutch lever go slowly and open throttle or shift down again.



Kickstart instructions

Start as described above, then push the kickstarter hard ALL THE WAY.



WARNING



- WHEN STARTING THE ENGINE, MAKE SURE THAT YOU ALWAYS WEAR STURDY MOTORCYCLING BOOTS IN ORDER TO AVOID INJURY. YOU MIGHT SLIDE OFF THE KICKSTARTER, OR THE ENGINE MAY CAUSE THE KICKSTARTER TO RECOIL, THEREBY CAUSING INJURIES TO FOOT AND LEG.
- ALWAYS KICK THE KICKSTARTER BRISKLY ALL THE WAY AND, WHILE DOING SO, NEVER OPEN THE THROTTLE. KICKSTARTING WITH INSUFFICIENT MOMENTUM AND AN OPENED THROTTLE LEVER INCREASES THE DANGER OF A POSSIBLE RECOIL.

- ⚠ WARNING ⚠**
- AVOID ABRUPT LOAD CHANGES WHILE RIDING AROUND BENDS AND ON WET OR SLIPPERY GROUND. OTHERWISE YOU MIGHT EASILY LOSE CONTROL OF YOUR MOTORCYCLE.
 - WHEN DRIVING OFF-ROAD, ALWAYS HAVE A FRIEND ON A SECOND MOTORCYCLE TO KEEP YOU COMPANY, SO THAT YOU CAN HELP EACH OTHER SHOULD DIFFICULTIES ARISE.
 - AFTER FALLING WITH THE MOTORCYCLE, CHECK ALL FUNCTIONS THOROUGHLY BEFORE STARTING UP OPERATIONS AGAIN.
 - A BENT HANDLEBAR MUST ALWAYS BE REPLACED. NEVER TRY TO STRAIGHTEN THE HANDLEBAR BECAUSE THIS WILL CAUSE IT TO LOSE ITS STABILITY.

- ! CAUTION !**
- HIGH RPM RATES WHEN THE ENGINE IS COLD HAVE AN ADVERSE EFFECT ON THE LIFE OF YOUR ENGINE. WE RECOMMEND YOU RUN THE ENGINE IN A MODERATE RPM RANGE FOR A FEW MILES TO WARM UP. AFTER THAT NO FURTHER PRECAUTIONS IN THIS RESPECT NEED BE TAKEN. THE ENGINE HAS REACHED ITS OPERATING TEMPERATURE AS SOON AS THE RADIATORS BECOME WARM.
 - NEVER HAVE THE THROTTLE WIDE OPEN WHEN CHANGING DOWN TO A LOWER GEAR. THE ENGINE WILL OVER-REV, DAMAGING THE VALVES. IN ADDITION, THE REAR WHEEL LOCKS SO THAT THE MOTORCYCLE CAN EASILY GET OUT OF CONTROL.
 - LONG WHEELIES LEAD TO A DROP IN THE OIL PRESSURE WHICH CAN LEAD TO MOTOR DAMAGE.
 - IF ANY ABNORMAL VIBRATIONS OCCUR WHILE DRIVING, CHECK THAT THE ENGINE FASTENING BOLTS ARE TIGHT.
 - IN THE EVENT THAT, WHILE RIDING ON YOUR MOTORCYCLE, YOU NOTICE ANY UNUSUAL OPERATION-RELATED NOISE, STOP IMMEDIATELY, TURN THE ENGINE OFF, AND CONTACT AN AUTHORIZED KTM DEALER.

Braking

Close throttle and apply the hand and foot brakes at the same time. When driving on sandy, wet or slippery ground use mainly the rear wheel brake. Always brake with care, blocking wheels can cause you to skid or fall. Also change down to lower gears depending on your speed.

When driving down hill, use the braking effect of the engine. Change down one or two gears but do not overspeed the engine. In this way, you will not need to brake so much and the brakes will not overheat.

- ⚠ WARNING ⚠**
- WHEN YOU BRAKE, THE BRAKE DISCS, BRAKE PADS, BRAKE CALIPER AND BRAKE FLUID HEAT UP. THE HOTTER THESE PARTS GET, THE WEAKER THE BRAKING EFFECT. IN EXTREME CASES, THE ENTIRE BRAKING SYSTEM CAN FAIL.
 - IN CASE OF RAIN, AFTER WASHING THE MOTORCYCLE, AFTER RIDES THROUGH WATER AND IN CASE OF RIDES ON WET OFF-ROAD TRACKS, HUMID OR DIRTY BRAKE DISCS CAN DELAY THE BRAKING EFFECT. THE BRAKES MUST BE PULLED UNTIL THEY ARE DRY OR CLEAN.
 - RIDES ON SALT-STREWED OR DIRTY ROADS CAN ALSO DELAY THE BRAKING EFFECT. THE BRAKES MUST BE PULLED UNTIL THEY ARE CLEAN.
 - DIRTY BRAKE DISCS CAUSE INCREASED TEAR OF BRAKE PADS AND BRAKE DISCS.

Stopping and parking

Apply the brakes fully and put the engine into neutral. To stop the engine, switch off the ignition or pull the short circuit button when the engine is idling, until the engine stops. Turn the fuel tap to the OFF position, park on an area with firm ground, and lock the motorcycle.

- ⚠ WARNING ⚠**
- ALWAYS PARK YOUR MOTORBIKE ON A SOLID AND HORIZONTAL SURFACE.
 - MOTORCYCLE ENGINES PRODUCE A GREAT AMOUNT OF HEAT WHILE RUNNING. THE ENGINE, EXHAUST PIPE, MUFFLER, BRAKE ROTORS, AND SHOCK ABSORBERS CAN BECOME VERY HOT. DO NOT TOUCH ANY OF THESE PARTS AFTER OPERATING THE MOTORCYCLE, AND TAKE CARE TO PARK IT WHERE PEDESTRIANS ARE NOT LIKELY TO TOUCH IT AND GET BURNED.

- ! CAUTION !**
- CLOSE THE FUEL TAP WHEN LEAVING YOUR VEHICLE. OTHERWISE THE CARBURETTOR CAN FLOOD AND FUEL WILL ENTER THE ENGINE.
 - NEVER PARK YOUR MOTORCYCLE IN FIRE HAZARDOUS PLACES DUE TO DRY GRASS OR OTHER EASILY FLAMMABLE MATERIALS.



NOTE REGARDING THE MAIN STAND:
 We advise the following procedure to place the motorcycle on the main stand as effortlessly as possible:
 a) press main stand to ground using foot.
 b) swing out kickstarter and pull at an angle toward the rear of motorcycle (see illustration).

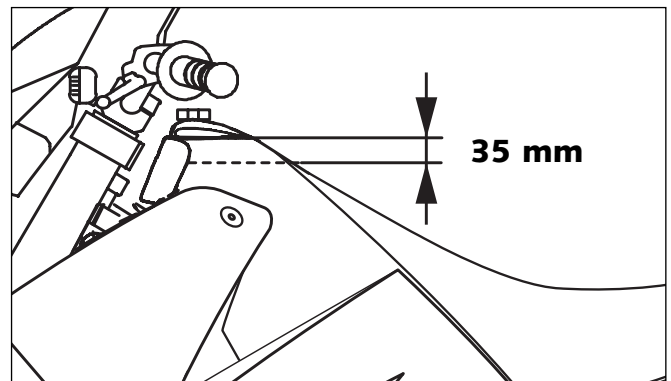
Fuel

The LC4 engine needs premium gasoline with an octane number of 95 or higher.

- ! CAUTION !**
- USE LEADED OR UNLEADED PREMIUM GRADE GASOLINE (95 OCTANES). NEVER USE ANY GASOLINE HAVING LESS THAN 95 OCTANES BECAUSE IT MAY DAMAGE THE ENGINE.

- ⚠ WARNING ⚠**
- GASOLINE IS HIGHLY FLAMMABLE AND POISONOUS. EXTREME CAUTION SHOULD BE USED WHEN HANDLING GASOLINE. DO NOT REFUEL THE MOTORCYCLE NEAR OPEN FLAMES OR BURNING CIGARETTES. ALWAYS SWITCH OFF THE ENGINE BEFORE REFUELLING. BE CAREFUL NOT TO SPILL GASOLINE ON THE ENGINE OR EXHAUST PIPE WHILE THE ENGINE IS HOT. WIPE UP SPILLS PROMPTLY. IF GASOLINE IS SWALLOWED OR SPLASHED IN THE EYES, SEEK A DOCTOR'S ADVICE IMMEDIATELY.

Fuel expands when its temperature rises. Therefore do not fill the tank to the top (see fig.).



A washed motorcycle can be checked more quickly which saves money!		1. Service after 1000 km or 10 hours	after / every 2500 km or 25 hours	after / every 5000 km or once a year
ENGINE	Change engine oil, oil filter, and micro-filter	●	●	●
	Clean oil screens and magnet of drain plug	●	●	●
	Check oil lines for damage and kink-less arrangement	●		●
	Check and adjust spark plug, replace every 10,000 km			●
	Check and adjust valve clearance	●		●
	Check engine fastening screws for tight fit	●		●
	Make sure all engine screws accessible from the outside are screwed tight	●		●
CARBURATOR	Check carburetor connection boots for cracks and leaks			●
	Check idle setting	●		●
	Check bleeder hoses for damage and kink-free arrangement	●		●
ADD-ON-PARTS	Check cooling system for leaks, antifreeze protection	●		●
	Check exhaust system for leaks and suspension	●		●
	Check actuating cables for damage, smooth operation, and kink-less arrangement, adjust and lubricate	●		●
	Clean air filter and air filter box			●
	Check cables for damage and kink-less arrangement			●
	Check headlamp adjustment			●
	Check electrical system for function; (low/high beams, stop light, turn indicators, tell-tale lamps, horn, emergency-off switch)	●		●
	Make sure all screws and nuts are tight	●		●
BRAKES	Check brake fluid level, lining thickness, and brake discs	●		●
	Check brake lines for damage and leaks	●		●
	Check/adjust smooth operation, free travel of handbrake/footbrake levers	●		●
	Check screws of brake system for tight fit	●		●
CHASSIS	Check suspension strut and fork for leaks and proper function	●		●
	Check O-ring of suspension strut for wear			●
	Clean dust sleeves			●
	Bleed fork legs	●		●
	Check swinging-fork pivot			●
	Check/adjust steering-head bearing	●		●
	Lubricate reversing lever			●
	Check all chassis screws for tight fit (fork plates, fork leg, axle nuts/screws, swinging-fork pivot, reversing lever, suspension strut)	●		●
WHEELS	Check spoke tension and rim join	●		●
	Check tire condition and inflation pressure	●		●
	Check chain and chain guides for wear, force fit and tension	●		●
	Check screws on pinion and chain sprocket for locking devices and a tight fit	●		●
	Lubricate chain	●		●
	Check wheel bearings and jerk damper for play			●

IMPORTANT RECOMMENDED MAINTENANCE PROCEDURES TO BE PERFORMED BASED ON A SEPARATE SUPPLEMENTARY ORDER

	every 2500 km or 25 hours	at least once a year	every 2 years or 20000 km
Perform complete fork maintenance		●	
Perform complete suspension strut maintenance			●
Perform complete reversing lever maintenance			●
Replace glass-fiber yarn packing of main silencer	●		
Clean and lubricate steering-head bearing and sealing elements		●	
Clean and adjust the carburetor		●	
Treat the electrical contacts and switches with contact spray		●	
Change brake fluid		●	

IF MOTORCYCLE IS USED FOR COMPETITION 5000 KM SERVICE SHOULD BE CARRIED OUT AFTER EVERY RACE!
 SERVICE INTERVALLS SHOULD NEVER BE EXCEED BY MOOR THAN 5 HOURS OR 500 KM.
 MAINTENANCE WORK DONE BY KTM AUTHORISED WORKSHOPS IS NOT A SUBSTITUTE OF CARE AND CHECKS DONE BY THE RIDER!

VITAL CHECKS AND CARE PROCEDURES TO BE CONDUCTED BY THE OWNER OR THE MECHANIC

	before each start	after every cleaning	for cross country use	once a year
Check oil level	●			
Check brake fluid level	●			
Check brake pads for wear	●			
Check lighting system for proper operation	●			
Check horn for proper operation	●			
Lubricate and adjust actuating cables and nipples		●		
Bleed fork legs in regular intervals			●	
Remove and clean dust sleeves in regular intervals			●	
Clean and lubricate chain as necessary		●	●	
Check chain tension	●	●	●	
Clean air filter and filter box (depending on the dirt accumulation)			●	
Check tire pressure and wear	●			
Check coolant level	●			
Check fuel lines for leaks	●			
Drain float chamber		●		
Verify smooth operation of all controls	●			
Check brake performance	●	●		
Treat exposed metal components (except for the braking and exhaust systems) with wax-based anti-corrosion agents		●		
Treat steering lock and light switch with contact spray		●		
Check all screws, nuts, and hose clamps for tight fit				●

MAINTENANCE WORK ON CHASSIS AND ENGINE



WARNING



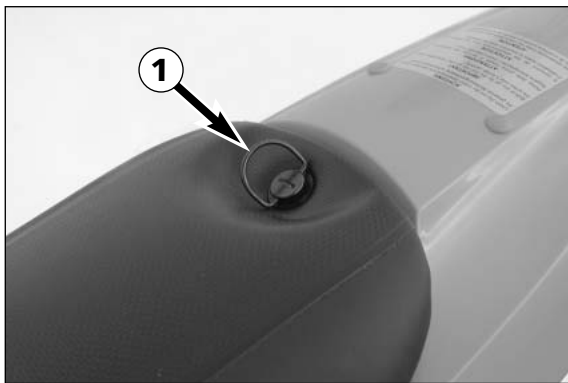
ALL MAINTENANCE AND ADJUSTMENT OPERATIONS THAT ARE MARKED WITH A * REQUIRE SPECIALIST KNOWLEDGE. FOR YOUR OWN SECURITY, LET THESE TASKS BE CARRIED OUT BY A KTM-DEALER. AT KTM YOUR MOTORCYCLE WILL RECEIVE OPTIMAL SERVICING BY SPECIALLY TRAINED MECHANICS.



CAUTION

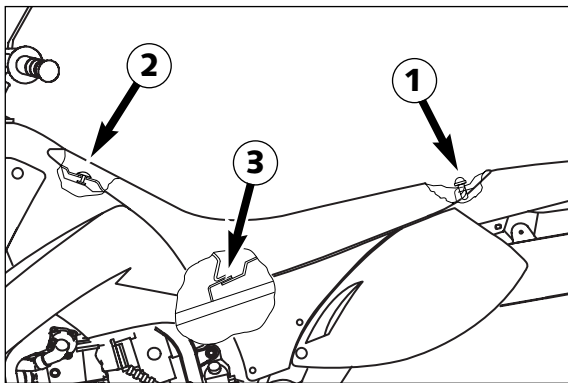


- WHEN CLEANING THE MOTORCYCLE, DO NOT USE A HIGH PRESSURE CLEANING UNIT IF POSSIBLE, OTHERWISE WATER WILL PENETRATE THE BEARINGS, CARBURETOR, ELECTRIC CONNECTORS ETC.
- WHEN TRANSPORTING YOUR KTM, ENSURE THAT IT IS HELD UPRIGHT WITH RESTRAINING STRAPS OR OTHER MECHANICAL FASTENING DEVICES AND THAT THE FUEL TAP IS IN THE OFF POSITION - IF THE MOTORCYCLE SHOULD FALL DOWN, BE AWARE OF ANY LEAKING FUEL FROM THE CARBURETOR OR FUEL TANK
- DO NOT USE TOOTHED WASHERS OR SPRING RINGS WITH THE ENGINE FASTENING SCREWS, AS THESE WORK INTO THE FRAME PARTS AND KEEP WORKING LOOSE. INSTEAD, USE SELF-LOCKING NUTS.
- LET YOUR MOTORCYCLE COOL DOWN BEFORE BEGINNING ANY MAINTENANCE WORK IN ORDER TO AVOID GETTING BURNED.
- REMOVE OILS, FATTY MATTERS, FILTERS, FUELS, WASHING DETERGENTS ETC. ORDERLY.
- UNDER NO CIRCUMSTANCES MAY USED OIL BE DISPOSED OF IN THE SEWAGE SYSTEM OR IN THE OPEN COUNTRYSIDE. 1 LITER USED OIL CONTAMINATES 1.000.000 LITERS WATER.
- IF YOU UNFASTEN SELF-LOCKING NUTS, YOU HAVE TO REPLACE THEM BY NEW ONES.
- IF YOU UNFASTEN SCREWS AND NUTS SECURED BY LOCTITE, YOU HAVE TO REATTACH AND SECURE THEM IN THE SAME WAY. SEE TECHNICAL SPECIFICATIONS - FASTENING TORQUES ON PAGE 53.

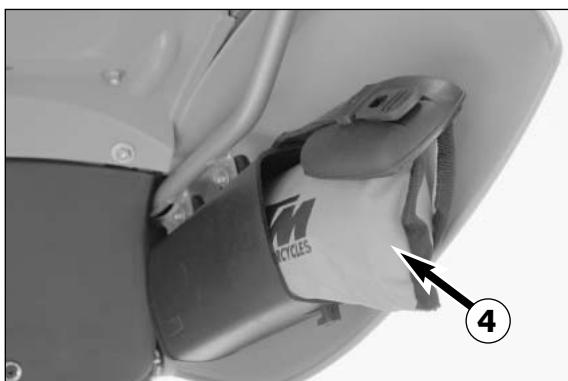


Removal of seat

By using the quick-release fastener ❶, the seat can be removed without using tools. Turn the quick-release fastener about 180° counter clockwise and lift up the rear of the seat. Pull the seat backwards and unhook it from the front fastener screw ❷.

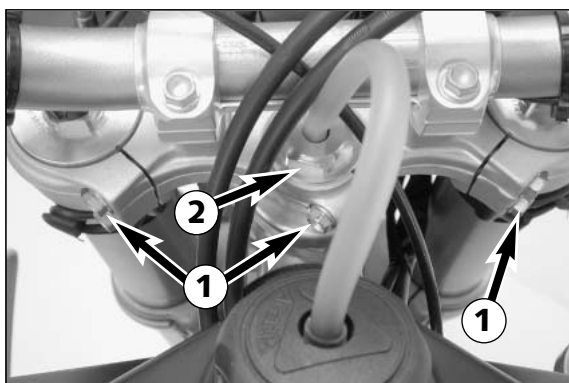


When installing the seat, be sure to insert the rear portion of the seat into the metal clasp ❸.



Tool set

The tool set ❷ is located in the tool box under the right side cover.



Check and adjust steering head bearing *

Check steering head bearing for play periodically. To check this put motorcycle on a stand so that the front wheel is off the ground. Now try to move the fork forward and backward. To adjust, loosen the five pinch bolts ❶ of the top triple clamp and turn steering stem bolt ❷ clockwise until there is no more play. Don't tighten the steering stem bolt all the way, otherwise the bearings will be damaged. With a plastic hammer, lightly tap on the triple clamp to release tension. Retight the five pinch bolts with 20 Nm (15 ft.lbs).



WARNING



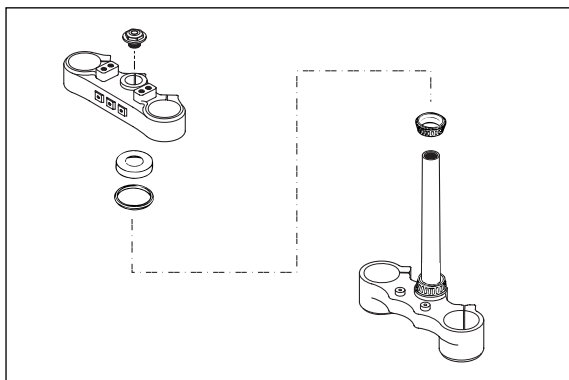
IF THE STEERING HEAD BEARING IS NOT ADJUSTED TO BE FREE OF PLAY, THE MOTORCYCLE WILL SHOW AN UNSTEADY DRIVING PERFORMANCE AND CAN GET OUT OF CONTROL.



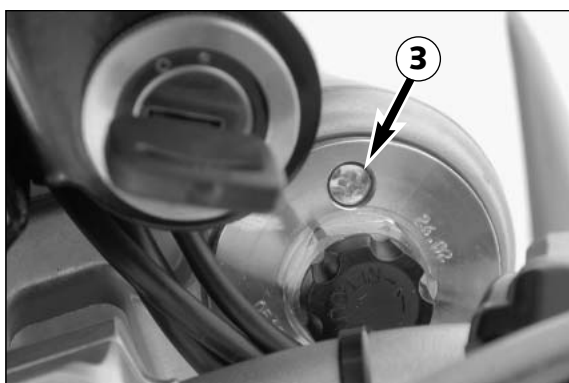
CAUTION



IF YOU DRIVE WITH PLAY OF STEERING HEAD BEARING FOR LONGER PERIODS, FIRST THE BEARINGS AND THEN THE BEARING SEATS IN THE FRAME WILL BE DESTROYED.



At least once a year, the steering head bearings should be smeared with waterproof grease (Shell Advance Grease).



Breather plug front fork

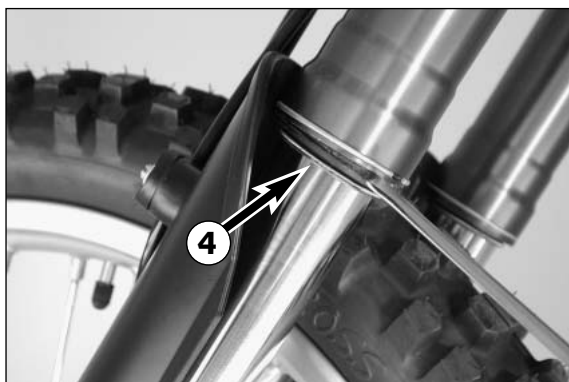
After every 5 hours of use for competitive racing, slacken the breather plugs ❸ a few turns in order to relieve excess pressure from the inside of the fork. To do this, place the motorcycle on a stand with the front wheel lifted off the ground. When riding the motorcycle mainly on street, it will be enough to have this job performed in the course of the periodical maintenance service.



CAUTION



EXCESSIVE PRESSURE IN THE INTERIOR OF THE FORK CAN CAUSE LEAKS IN THE FORK. IF YOUR FORK IS LEAKING, IT IS RECOMMENDED TO OPEN THE BREATHER PLUGS BEFORE HAVING THE SEALS REPLACED.



Cleaning the dust sleeves of the telescopic fork

The dust-protection bellows ❹ are to remove dust and coarse dirt particles from the fork tube. However, after some time, dirt may also get in behind the dust-protection bellows. If this dirt is not removed, the oil sealing rings located behind it may start to leak.

Use a screwdriver to lever the dust-protection bellows out of the outer tubes and slide them downward.

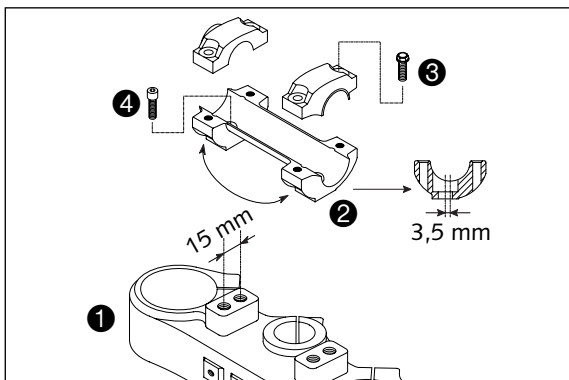


Clean dust-protection bellows, outer tubes, and fork tubes thoroughly, and oil them thoroughly with silicone spray. Then, push dust-protection bellows into the outer tubes by hand.



How to change the handlebar position

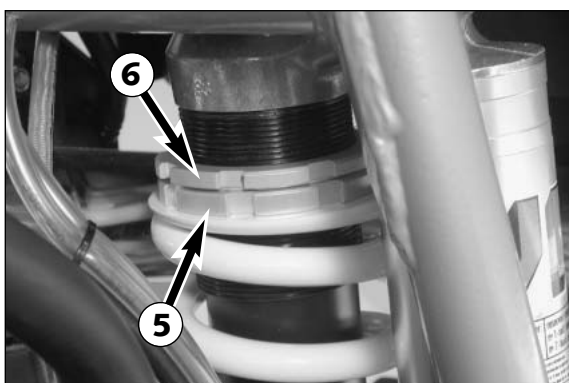
The handlebar position can be readjusted by 22 mm. Thus, you can put the handlebar to the position that is the most convenient for you. The upper triple clamp ❶ includes 2 bores arranged at a distance of 15 mm (0,6 in) from one another. The bores at the handlebar support ❷ are offset from the center by 3.5 mm (0.13 in). Accordingly, you can mount the handlebar in 4 different positions.



For this purpose, remove screws ❸ of the handlebar clamps and screws ❹ of the handlebar support. Position handlebar support, and tighten screws ❹ to 40 Nm (30 ft.lbs). Mount handlebar and handlebar clamps, and tighten screws ❸ to 20 Nm (15 ft.lbs). The gap between handlebar support and handlebar clamps is to be of equal size in the front and in the rear.

⚠ WARNING ⚠

The screws ❹ must be secured with Loctite 243.



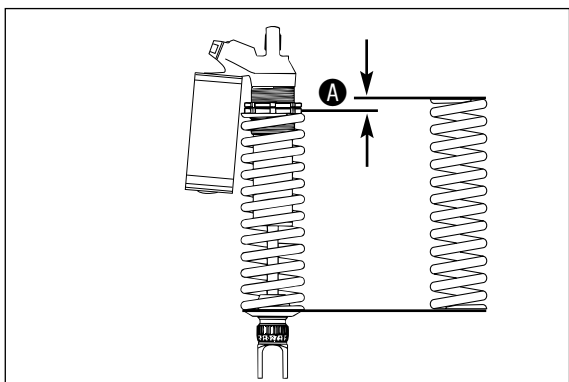
Changing the spring preloading of the shock absorber

KTM sets the shock absorber for a driver with a weight of approximately 75 kg (165 lb). If the weight of the driver is more or less than 75 kg (165 lb), you should change the spring preloading **A** accordingly. This is easily done.

NOTE:

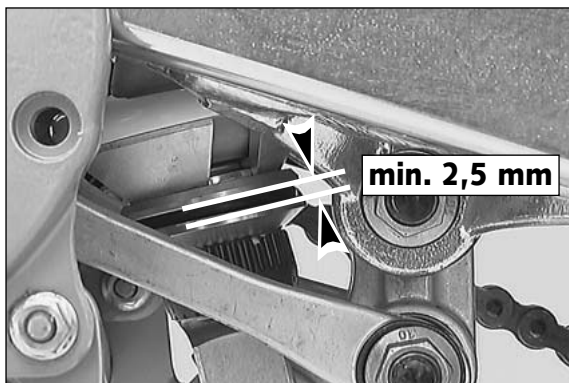
- Before changing the spring preload note the basic setting, e.g. how many threads are visible above the adjusting ring.
- One rotation of the adjusting ring ❺ changes the spring pretension by approximately 1,75 mm (0,07 in).

Loosen the locking ring ❻ with the hook spanner from the tool set. Change the spring preload with the adjusting ring ❺ and re-tighten the locking ring.



BASIC SETTING – SPRING PRELOAD:

WP 0118X725..... A = 23 mm



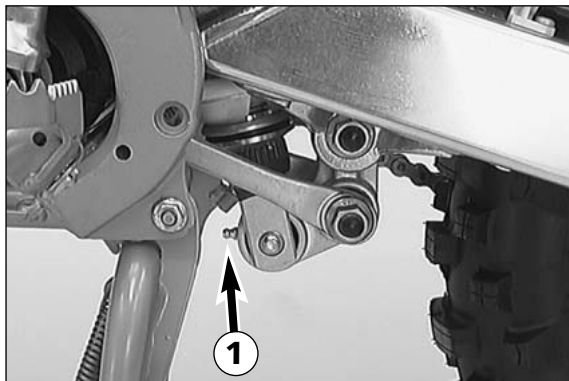
Checking rubber ring on the WP rear shock absorber

A rubber ring mounted on the rear shock absorber serves as a vibration damper. This ring gets pressed together with time and loses its shock absorbing function.

Measure the distance between the two discs at various points around their circumferences. The space should be at least 2.5 mm (0,1 in) wide. Have the rubber ring replaced by an KTM dealer when compaction due to wear has exceeded this lower limit.

! CAUTION !

NOT REPLACING THE RUBBER RING IN TIME CAN RESULT IN DAMAGE TO THE REAR SHOCK ABSORBER.



⚠ WARNING ⚠

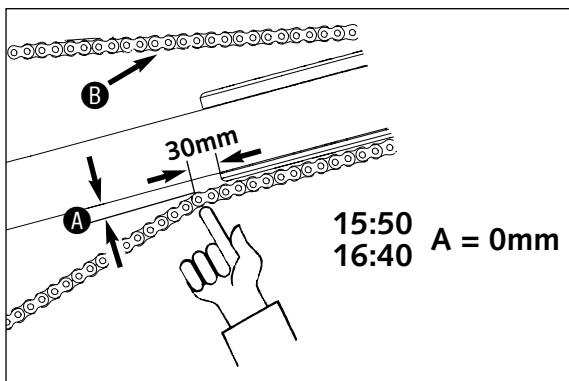
THE DAMPING UNIT OF THE SHOCK ABSORBER IS FILLED WITH HIGH COMPRESSED NITROGEN. NEVER TRY TO TAKE THE SHOCK ABSORBER APART OR TO DO ANY MAINTENANCE WORK YOURSELF. SEVERE INJURIES COULD BE THE RESULT.

Lubricate rear suspension linkage

The bearings in the link lever must be greased in regular intervals. For this purpose, a lubricating nipple ❶ is mounted on the link lever.

! CAUTION !

AFTER EACH TIME THE MOTORCYCLE IS WASHED, IT IS ESPECIALLY IMPORTANT TO GREASE THE LUBRICATING NIPPLE TO PUSH ANY WATER OUT OF THE BEARINGS.



Checking chain tension

For checking, put the motorcycle on its main stand or jack it up on its frame so that the rear wheel is relieved of any load.

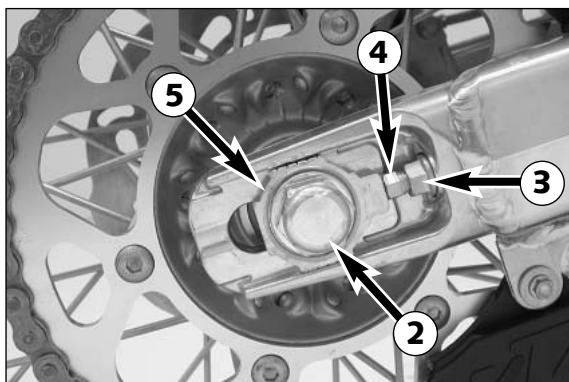
Push the chain upwards appr. 30 mm (1,2 in) from the end of the chain sliding component until the upper part of the chain is tensioned (see illustration)

Now, the distance ❶ between chain and swingarm should be 0 mm respectively 5 mm (0,2 in) (**depending on final drive ratio**). The upper part of the chain ❷ must be tight (see illustration).

Correct chain tension, if necessary!

⚠ WARNING ⚠

- IF CHAIN TENSION IS TOO HIGH, PARTS WITHIN THE SECONDARY TRANSMISSION (CHAIN, SPROCKETS, DRIVE ASSEMBLY AND REAR WHEEL BEARINGS) WILL BE SUBJECTED TO UNNECESSARY STRESS, RESULTING IN PREMATURE WEAR AND EVEN CHAIN BREAKAGE.
- TOO MUCH SLACK IN THE CHAIN, ON THE OTHER HAND, CAN RESULT IN THE CHAIN JUMPING OFF THE SPROCKETS. IF THIS HAPPENS, THE CHAIN COULD ALSO BLOCK THE REAR WHEEL OR DAMAGE THE ENGINE.
- IN EITHER CASE THE OPERATOR IS LIKELY TO LOSE CONTROL OF THE MOTORCYCLE.

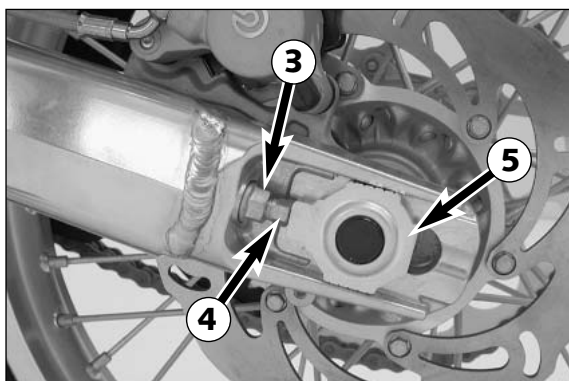


Correct chain tension

Loosen collar nut ❷, loosen lock nuts ❸, and turn right and left adjusting screws ❹ equally far. Tighten lock nuts ❸.

Before tightening the collar nut, verify that the chain adjusters ❺ are sitting close to the adjusting screws and that the rear wheel has been aligned with the front wheel.

Tighten collar nut ❷ with 80 Nm (59 ft.lb).

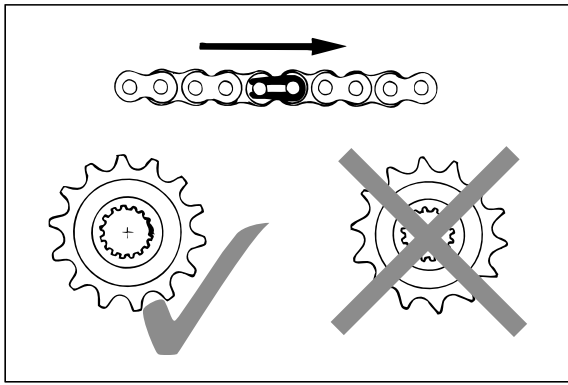


⚠ WARNING ⚠

IF YOU DON'T HAPPEN TO HAVE A TORQUE WRENCH AT HAND, MAKE SURE YOU HAVE THE TIGHTENING TORQUE CORRECTED BY A KTM DEALER AS SOON AS POSSIBLE. A LOOSE AXLE MAY LEAD TO AN UNSTABLE DRIVING BEHAVIOR OF YOUR MOTORCYCLE.

NOTE:

The large adjusting range of the chain adjusters (32mm) allows you to use different secondary ratios in combination with the same chain length. The chain adjusters ❺ can be rotated by 180°.



Chain maintenance

For long chain life, good maintenance is very important. X-ring chains require only modest maintenance. The best way is to use lots of water, but never use brushes or solvents. After letting the chain dry, you can use a special X-ring chain spray (Shell Advance Bio Chain).



WARNING



NO LUBRICATION IS ALLOWED TO REACH THE REAR TIRE OR THE BRAKE DISK, OTHERWISE THE ROAD ADHERENCE AND THE REAR WHEEL BRAKING EFFECTS WOULD BE STRONGLY REDUCED AND THE MOTORCYCLE COULD EASILY GET OUT OF CONTROL.

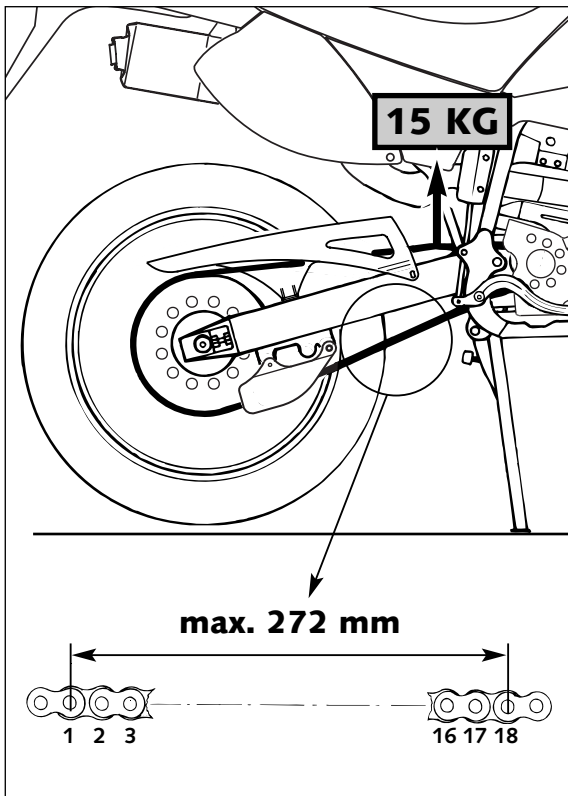


CAUTION



WHEN MOUNTING THE CHAIN JOINT, THE CLOSED SIDE OF THE SAFETY DEVICE MUST POINT IN RUNNING DIRECTION.

Also check sprockets and chain guides for wear, and replace if necessary.



Chain wear

In order to check the chain wear, regard the following indications:

Shift the gear into idling and pull the upper chain strand with approx. 10-15 kilogram (33 lb) upwards (see figure). Now one can measure a space of 18 chain reels at the lower chain strand. The chain should be replaced at the latest when a space of 272 mm (10.70 in) is measured. Chains do not always wear off evenly, therefore repeat the measurement at different places on the chain.

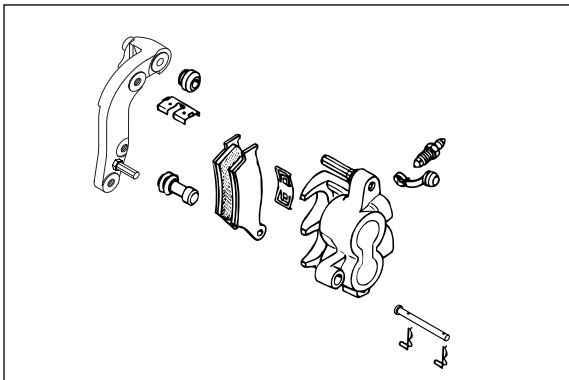
NOTE:

If you mount a new chain, the sprockets should also be replaced. New chains wear faster if used on old used sprockets.

General information about KTM disc brakes

BRAKE CALIPERS:

The brake calipers of this series “float”. This means that the brake calipers are not solidly attached to the caliper support. Thus, the brake pads are always in optimum contact with the brake disc. Secure the screws of the caliper support with Loctite 243 and tighten to 25 Nm (19 ft.lb).



BRAKE PADS:

The motorcycles are delivered with organic brake pads and have also been type-coded with these pads.

Said pads are suitable for almost the entire range of application of these motorcycles. It is only for competitive racing in extremely dirty conditions (e.g., water in combination with sand and mud) that we recommend brake pads that have sintered linings. However, take notice of the fact that brake pads with sintered linings have not been typecoded! Besides, they may cause greater wear on the brake discs.

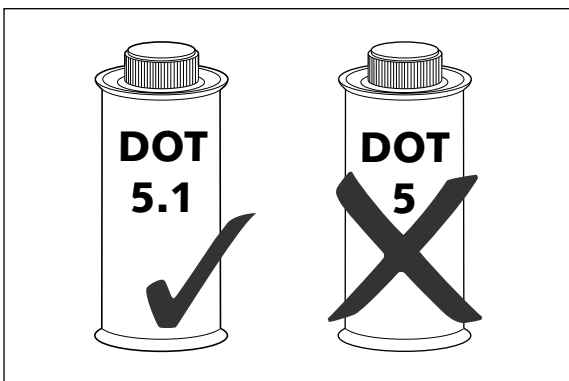


⚠ WARNING ⚠

BRAKE SHOES AVAILABLE IN THE ACCESSORY TRADE ARE OFTEN NOT AUTHORIZED FOR OPERATION OF YOUR KTM MOTORCYCLE IN ROAD TRAFFIC. THE BRAKE SHOE'S DESIGN AND FRICTION FACTOR AND THEREFORE THE BRAKING POWER CAN DEVIATE SIGNIFICANTLY FROM ORIGINAL KTM BRAKE SHOES. IF YOU USE DIFFERENT BRAKE SHOES THAN THOSE PROVIDED WITH THE ORIGINAL EQUIPMENT, IT CANNOT BE WARRANTED THAT THEY ARE AUTHORIZED FOR USE IN ROAD TRAFFIC. YOUR MOTORCYCLE WILL NOT LONGER COMPLY WITH THE REGULATIONS AUTHORIZING THE USE OF VEHICLES FOR ROAD TRAFFIC AND THE WARRANTY WILL BE VOID.

BRAKE FLUID RESERVOIRS:

The brake fluid reservoirs on the front and rear wheel brakes have been designed in such a way that even if the brake pads are worn it is not necessary to top up the brake fluid. If the brake fluid level drops below the minimum either the brake system has a leak or the brake pads are completely worn down. In this case, consult an authorized KTM dealer immediately.



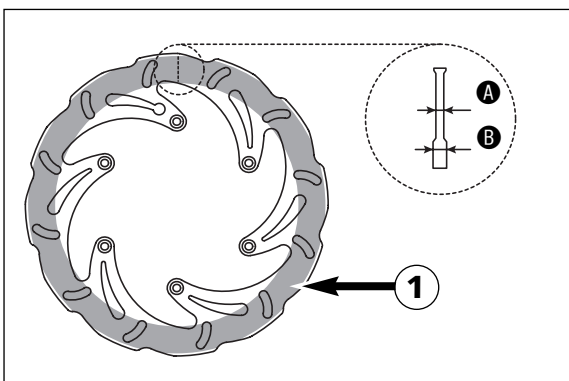
BRAKE FLUID:

KTM fills the brake systems with Shell Advance Brake DOT 5.1 brake fluid, one of the best brake fluids that is currently available. We recommend that you continue to use it. DOT 5.1 brake fluid is based on glycol ether and of an amber color. If you do not have any DOT 5.1 for refilling, you may use DOT 4 brake fluid. However, you should replace it as soon as possible by DOT 5.1.

Never use DOT 5 braking fluid. It is based on silicone oil and has a purple color. Gaskets and brake hoses are not compatible with it.

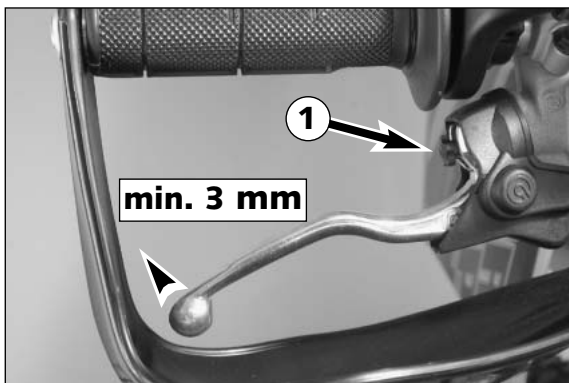
BRAKE DISCS:

Wear reduces the thickness of the brake disc in the area of contact **1** with the brake pads. At its thinnest spot **A**, the brake disc must not be more than 0.4mm thinner than its nominal dimension **B**. The nominal dimension can be gaged in a location beyond the area of contact with the brake pads. Check wear in several spots.



⚠ WARNING ⚠

- BRAKE DISCS SUFFERING FROM WEAR GREATER THAN 0.4 MM CONSTITUTE A SAFETY HAZARD. HAVE THE BRAKE DISC REPLACED IMMEDIATELY AS SOON AS IT REACHES ITS WEAR LIMIT.
- AS A MATTER OF PRINCIPLE, HAVE ANY REPAIR OF THE BRAKE SYSTEM CARRIED OUT BY A LICENSED KTM MECHANIC.

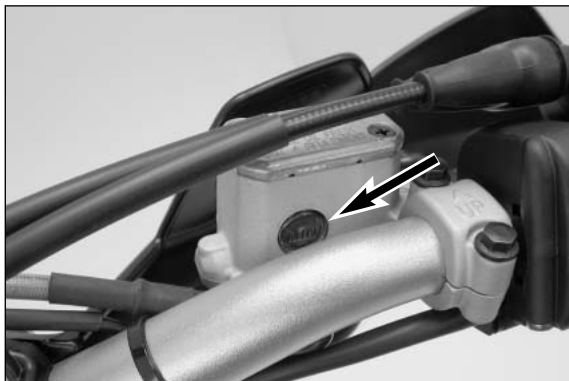


Adjusting of free travel at the hand brake lever

Free travel at the hand brake lever may be readjusted by using adjustment screw ①. In this way, the position of the point of pressure (i.e., the resistance you feel on the hand brake lever when the brake pads are pressed against the brake disc) can be adjusted for any hand size.

! CAUTION !

AT THE HAND BRAKE LEVER, FREE TRAVEL MUST AT LEAST BE 3 MM. ONLY THEN MAY THE PISTON IN THE HAND BRAKE CYLINDER BE MOVED (TO BE RECOGNIZED BY THE GREATER RESISTANCE OF THE HAND BRAKE LEVER). IF THIS FREE TRAVEL IS NOT PROVIDED, PRESSURE WILL BUILD UP IN THE BRAKING SYSTEM, AND THE FRONT WHEEL BRAKE MAY FAIL DUE TO OVERHEATING.

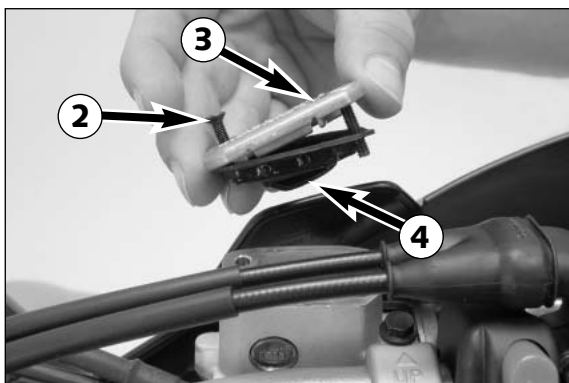


Checking of brake fluid level - front brake

The brake fluid reservoir is linked with the hand brake cylinder at the handlebar and the reservoir is provided with an inspection glass. With the reservoir in a horizontal position, the brake fluid level should not drop below the middle of the glass. The reservoir should be kept completely full at all times for best performance.

⚠ WARNING ⚠

IF THE BRAKE FLUID LEVEL DROPS BELOW THE MINIMUM EITHER THE BRAKE SYSTEM HAS A LEAK OR THE BRAKE PADS ARE COMPLETELY WORN. IN THIS CASE, CONSULT AN AUTHORIZED KTM DEALER IMMEDIATELY.



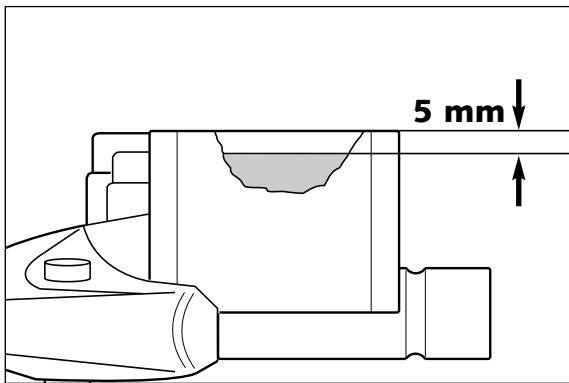
Refilling the front brake fluid reservoir *

When the brake fluid falls to the middle of the inspection glass, new brake fluid has to be added.

Loosen screws ② and remove lid ③ and membrane ④. Place hand brake cylinder in a horizontal position and fill the brake fluid reservoir to 5 mm (0,2 in) below the rim with clean brake fluid DOT 5.1 (Shell Advance Brake DOT 5.1). Replace membrane and lid, tighten screws. Rinse off spilled or overflowing brake fluid with water.

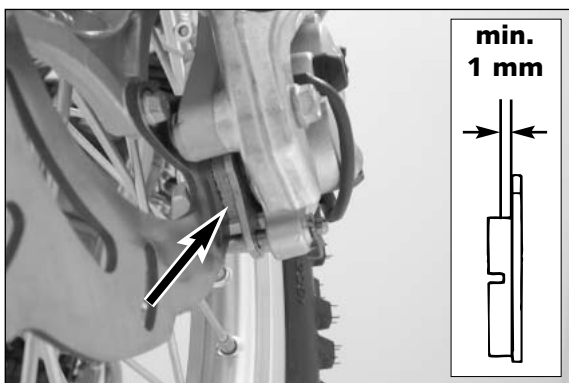
⚠ WARNING ⚠

- NEVER USE DOT5 BRAKE FLUID! IT IS BASED ON SILICONE OIL AND OF A PURPLE COLOR. SEALS AND BRAKE HOSES MUST BE ESPECIALLY ADAPTED TO IT.
- STORE BRAKE FLUID OUT OF REACH OF CHILDREN.
- BRAKE FLUID CAN CAUSE SKIN IRRITATION. AVOID CONTACT WITH SKIN AND EYES. IF YOU GET BRAKE FLUID IN YOUR EYES, RINSE WITH PLENTY OF WATER AND CONSULT A DOCTOR.



! CAUTION !

- DON'T LET BRAKE FLUID GET IN CONTACT WITH PAINT, IT IS AN EFFECTIVE PAINT REMOVER.
- USE ONLY CLEAN BRAKE FLUID TAKEN FROM A TIGHTLY SEALED CONTAINER.



Checking the front brake pads

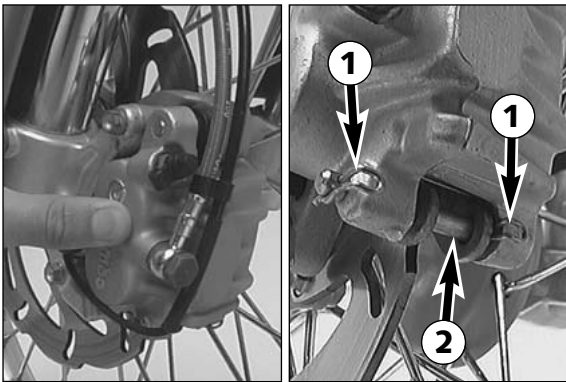
The brake pads can be inspected from below. The linings must be at least 1 mm (0,04 in) thick.

⚠ WARNING ⚠

AT THEIR MOST WORN POINT BRAKE PAD LININGS SHOULD NOT BE THINNER THAN 1 MM, OTHERWISE THEY COULD LEAD TO BRAKE FAILURE. FOR YOUR OWN SAFETY DON'T PUT OFF HAVING YOUR BRAKE PADS CHANGED.

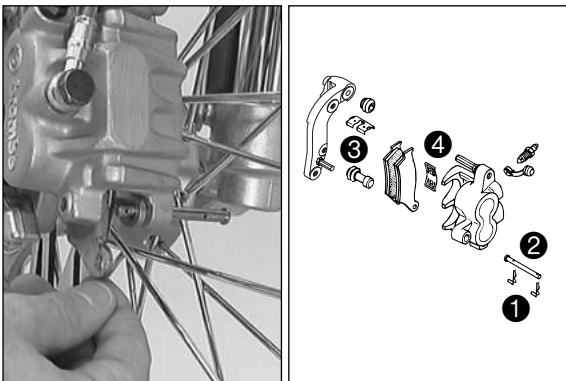
! CAUTION !

IF THE BRAKE PADS ARE REPLACED TOO LATE SO THAT THE LINING IS PARTLY OR ENTIRELY WORN, THE STEEL COMPONENTS OF THE BRAKE PAD WILL RUB AGAINST THE BRAKE DISC, THEREBY IMPAIRING THE BRAKING EFFECT AND DESTROYING THE BRAKE DISC.



Replacing front brake pads *

Press the brake caliper toward the brake disk, to put the brake piston in its basic position. Remove clips ① and pull out bolt ②. Remove brake pads from the brake caliper. Clean the brake caliper and the brake caliper support with compressed air. Check the sleeves of the guide bolts for damage, and grease guide bolts if necessary.



Mount the right brake pad and fix it with the bolt. Mount the left brake pad and insert the bolt until it stops. Mount the clips. When mounting the brake pads, be sure to check for correct fit of the sliding metal-sheet ③ in the caliper support and of the leaf spring ④.

⚠ **WARNING** ⚠

- IT IS VERY IMPORTANT TO KEEP THE BRAKE DISK FREE FROM OIL AND FATTY MATTERS. OTHERWISE, THE BRAKING EFFECT WOULD BE STRONGLY REDUCED.
- AFTER ASSEMBLY, CHECK IF CIRCLIPS HAVE BEEN FITTED CORRECTLY.
- HAVING PERFORMED ANY WORK ON THE BRAKING SYSTEM, ONE MUST ALWAYS ACTUATE THE HAND BRAKE LEVER OR FOOT BRAKE LEVER, RESPECTIVELY SO AS TO ENSURE THAT THE BRAKE PADS WILL LIE AGAINST THE BRAKE DISK AND THE PRESSURE POINT IS ESTABLISHED.



Check the rear brake fluid level

The reservoir for the rear disc brake is located above the main brake cylinder. The level of brake fluid may not fall below the „MIN“ mark when the vehicle has been left standing upright

⚠ **WARNING** ⚠

IF THE BRAKE FLUID LEVEL DROPS BELOW THE MINIMUM EITHER THE BRAKE SYSTEM HAS A LEAK OR THE BRAKE PADS ARE COMPLETELY WORN. IN THIS CASE, CONSULT AN AUTHORIZED KTM DEALER IMMEDIATELY.



Refilling the rear brake fluid reservoir *

When the brake fluid level has dropped to the MIN mark, you need to refill the brake fluid reservoir.

For easier access to the brake fluid reservoir it is recommended to remove the hexagon screw ⑤. Then move the container outwards as indicated in the illustration. Remove plug ⑥ with rubber boot ⑦ and add brake fluid DOT 5.1 (Shell Advance Brake DOT 5.1) up to the „MAX“ mark. Replace rubber boot and plug. Overflown or spilled brake liquid must be rinsed off with water. Mount the screw and fix the brake fluid reservoir to the frame, always making sure to prevent kinks in the connecting hose.

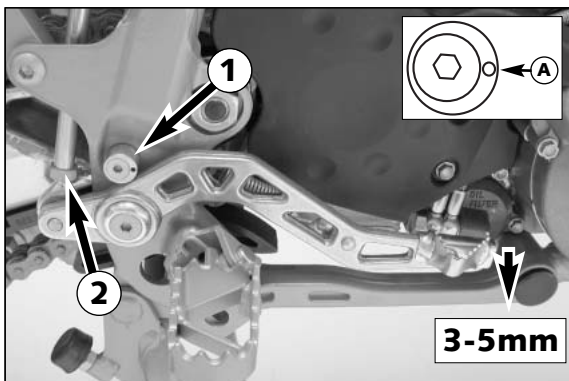
⚠ **WARNING** ⚠

- NEVER USE DOT5 BRAKE FLUID! IT IS BASED ON SILICONE OIL AND OF A PURPLE COLOR. SEALS AND BRAKE HOSES MUST BE ESPECIALLY ADAPTED TO IT.
- STORE BRAKE FLUID OUT OF REACH OF CHILDREN.
- BRAKE FLUID CAN CAUSE SKIN IRRITATION. AVOID CONTACT WITH SKIN AND EYES. IF YOU GET BRAKE FLUID IN YOUR EYES, RINSE WITH PLENTY OF WATER AND CONSULT A DOCTOR.

! **CAUTION** !

- DON'T LET BRAKE FLUID GET IN CONTACT WITH PAINT, IT IS AN EFFECTIVE PAINT REMOVER.
- USE ONLY CLEAN BRAKE FLUID TAKEN FROM A TIGHTLY SEALED CONTAINER.





Changing the basic position of the brake pedal *

The basic setting of the foot brake pedal can be changed by turning the end stop roller ①. Using the push rod ②, the free play on the foot brake pedal must be set.

Measured on the outside, the foot brake pedal must have 3-5 mm of free play, before the push rod can move the piston in the brake cylinder (to be recognised from the resistance on the foot brake pedal).

To keep the stop roller from turning while tightening, insert a hexagon wrench in bore A.

! CAUTION !

IF THIS CLEARANCE IS MISSING, PRESSURE ACCUMULATES IN THE BRAKING SYSTEM AND THE BRAKE PADS BEGIN TO RUB. THE BRAKING SYSTEM OVERHEATS AND CAN FAIL COMPLETELY IN EXTREME CASES.

Checking the rear brake pads

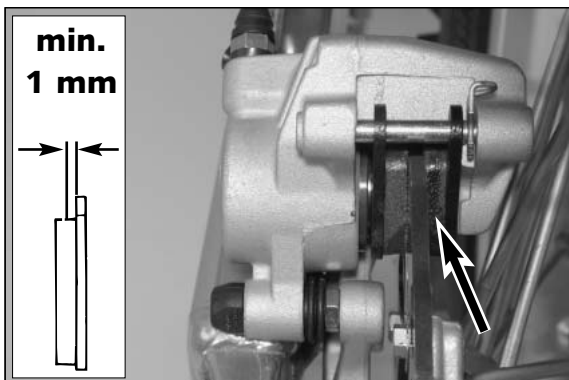
The brake pads can be inspected from the rear. The thickness of the linings may not be less than 1 mm (0.04 in).

⚠ WARNING ⚠

AT THEIR MOST WORN POINT BRAKE PAD LININGS SHOULD NOT BE THINNER THAN 1 MM, OTHERWISE THEY COULD LEAD TO BRAKE FAILURE. FOR YOUR OWN SAFETY DON'T PUT OFF HAVING YOUR BRAKE PADS CHANGED.

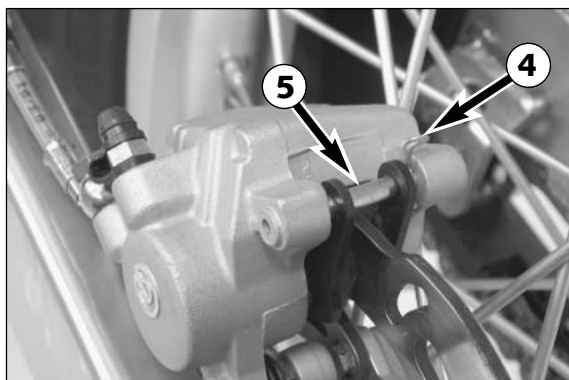
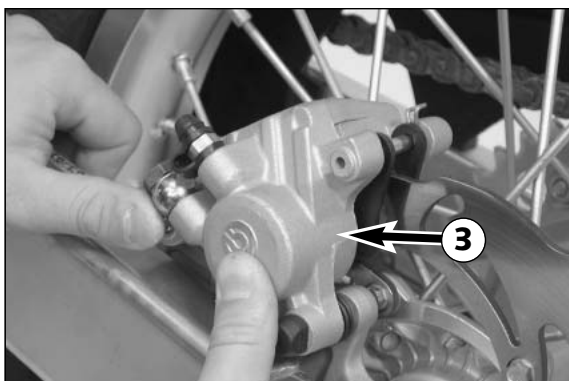
! CAUTION !

IF THE BRAKE PADS ARE REPLACED TOO LATE SO THAT THE LINING IS PARTLY OR ENTIRELY WORN, THE STEEL COMPONENTS OF THE BRAKE PAD WILL RUB AGAINST THE BRAKE DISC, THEREBY IMPAIRING THE BRAKING EFFECT AND DESTROYING THE BRAKE DISC.

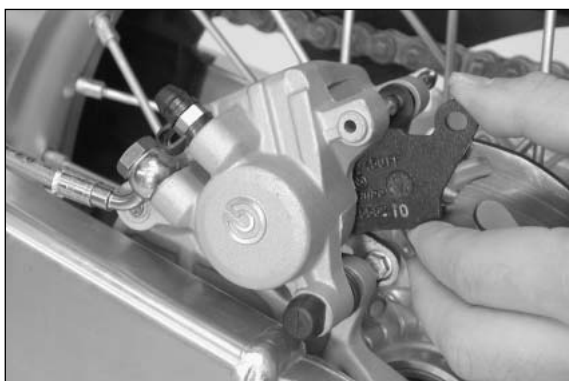


Replacing the rear brake pads *

Press brake caliper ③ in direction of chain wheel for the brake piston to reach its basic position. Remove safety device ④, knock out the guide pin ⑤ from the brake caliper with a drift towards the chain wheel and remove brake pads. Carefully clean the brake caliper with compressed air and check sleeves of the guide pins for damage.

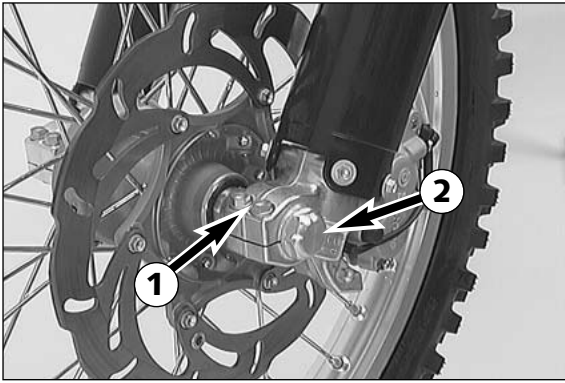


Slide left brake pad into the brake caliper and fix it with the pin. Slide in the right brake pad and knock the bolt in as far as it will go. Mount safety device ④.



⚠ WARNING ⚠

- IT IS VERY IMPORTANT TO KEEP THE BRAKE DISK FREE FROM OIL AND FATTY MATTERS. OTHERWISE, THE BRAKING EFFECT WOULD BE STRONGLY REDUCED.
- AFTER ASSEMBLY, CHECK IF CIRCLIPS HAVE BEEN FITTED CORRECTLY.
- HAVING PERFORMED ANY WORK ON THE BRAKING SYSTEM, ONE MUST ALWAYS ACTUATE THE HAND BRAKE LEVER OR FOOT BRAKE LEVER, RESPECTIVELY SO AS TO ENSURE THAT THE BRAKE PADS WILL LIE AGAINST THE BRAKE DISC AND THE PRESSURE POINT IS ESTABLISHED.



Dismounting and mounting the front wheel

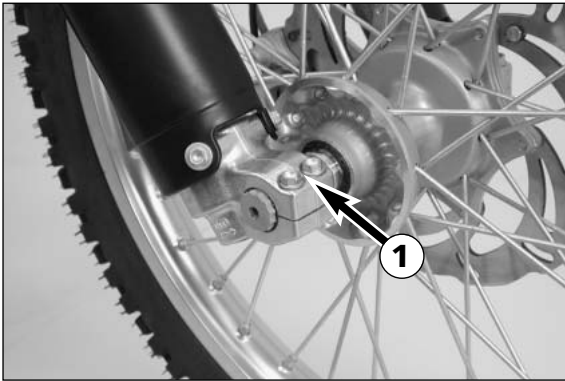
To remove the front wheel, jack the motorcycle up on its frame so that the front wheel no longer touches the ground.

Loosen both clamp screws ❶ on the left fork leg. Then loosen the collar nuts ❷ before loosening the clamp screws ❶ on the right fork leg. Hold the front wheel and withdraw the wheel spindle ❸.

Note: The wheel spindle can be withdrawn more easily by turning it moderately with a 6 mm ALLAN/IMBUS key while pulling. Carefully remove the front wheel from the fork.

! CAUTION !

- DO NOT OPERATE THE HAND BRAKE WHEN THE FRONT WHEEL HAS BEEN DISMOUNTED.
- ALWAYS PLACE THE WHEEL ON THE GROUND WITH THE BRAKE DISC POINTING UPWARDS. OTHERWISE THE BRAKE DISC MAY BE DAMAGED.



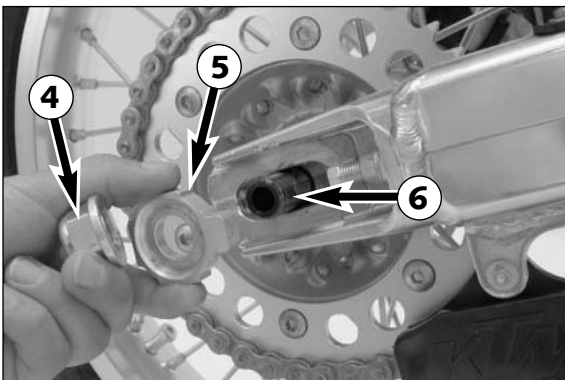
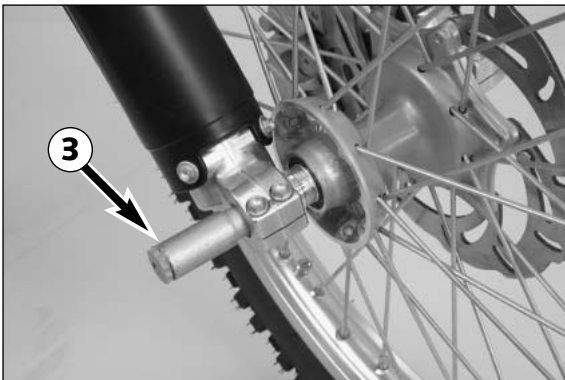
To install the front wheel, lift it into the fork, position and mount the axle shaft. Mount the collar nut ❷, tighten the clamping screws ❶ on the right fork leg axle passage to prevent the axle shaft from turning and tighten the collar nut to 40 Nm (30ft.lb).

Loosen the clamp screws on the right fork leg. Take the motorcycle down from its stand. Press the front wheel brakes and push down on the fork a few times vigorously so that the fork legs come into alignment.

Only after this has been accomplished, tighten the clamp screws on both fork legs with 10 Nm (7 ft. lbs).

⚠ WARNING ⚠

- IF YOU DON'T HAPPEN TO HAVE A TORQUE WRENCH AT HAND, MAKE SURE YOU HAVE THE TIGHTENING TORQUE CORRECTED BY A KTM DEALER AS SOON AS POSSIBLE. A LOOSE AXLE MAY LEAD TO AN UNSTABLE DRIVING BEHAVIOR OF YOUR MOTORCYCLE.
- AFTER MOUNTING THE FRONT WHEEL, KEEP OPERATING THE HAND BRAKE UNTIL THE PRESSURE POINT RETURNS.
- IT IS VERY IMPORTANT TO KEEP THE BRAKE DISC FREE FROM OIL AND FATTY MATTERS, EITHERWISE THE BRAKING EFFECTS WOULD BE STRONGLY REDUCED.



Dismounting and mounting the rear wheel

Park the motorcycle on the center stand. The rear wheel must not touch the ground.

Loosen the collar nut ❹, remove chain tensioner ❺, hold the rear wheel and pull out the wheel spindle ❻ until the rear wheel is free but the brake caliper support is still held. Push the rear wheel as far forward as possible, take the chain from the rear sprocket and carefully take the rear wheel out of the swingarm.

! CAUTION !

- DO NOT OPERATE THE REAR BRAKE WHEN THE REAR WHEEL HAS BEEN DISMOUNTED.
- ALWAYS PLACE THE WHEEL ON THE GROUND WITH THE BRAKE DISC POINTING UPWARDS. OTHERWISE THE BRAKE DISC MAY BE DAMAGED.
- IF THE AXLE IS DISMOUNTED, CLEAN THE THREAD OF THE WHEEL SPINDLE AND COLLAR NUT THOROUGHLY AND APPLY A NEW COAT OF GREASE (SHELL ADVANCE GREASE) TO PREVENT THE THREAD FROM JAMMING.

The rear wheel is remounted in reverse order. Before tightening the collar nut to 80 Nm (60 ft.lb), push the rear wheel forwards so that the chain tensioners lie on the tension screws.

⚠ WARNING ⚠

- IF YOU DON'T HAPPEN TO HAVE A TORQUE WRENCH AT HAND, MAKE SURE YOU HAVE THE TIGHTENING TORQUE CORRECTED BY A KTM DEALER AS SOON AS POSSIBLE. A LOOSE AXLE MAY LEAD TO AN UNSTABLE DRIVING BEHAVIOR OF YOUR MOTORCYCLE.
- AFTER MOUNTING THE REAR WHEEL, KEEP OPERATING THE REAR BRAKE UNTIL THE PRESSURE POINT RETURNS.
- IT IS VERY IMPORTANT TO KEEP THE BRAKE DISC FREE FROM OIL AND FATTY MATTERS, EITHERWISE THE BRAKING EFFECTS WOULD BE STRONGLY REDUCED.





Tires, air pressure

Tire type, tire condition, and air pressure level affect the way your motorcycle rides, and they must therefore be checked whenever you are getting ready to go anywhere on your motorcycle.

Tire size can be found in the technical specifications and in their homologation certificate

Tire condition has to be checked every time you want to ride your motorcycle. Before leaving, check tires for punctures and nails or other sharp objects that might have become embedded in them.

Refer to the specific regulations in your country for minimum tire tread requirements. We recommend you replace the tires at the latest when the tread is down to 2 mm.

Tire pressure should be checked regularly on a "cold" tire. Proper pressure ensures optimum driving comfort and extends the life of your tires.

TIRES - AIR PRESSURE		
	front	rear
Off road	1.0 bar (14 psi)	1.2 bar (17psi)
Road driver only	1,8 bar (25 psi)	2.0 bar (28 psi)

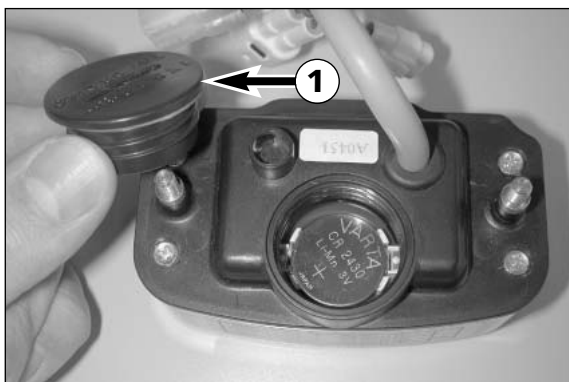
- WARNING**
- DO NOT MOUNT TIRES WHICH HAVE NOT BEEN APPROVED BY KTM. OTHER TIRES COULD HAVE ADVERSE EFFECTS ON THE WAY YOUR MOTORCYCLE BEHAVES.
 - FRONT AND REAR WHEELS MAY ONLY BE FITTED WITH TIRES HAVING THE SAME TREAD LAYOUT. USE HOMOLOGATED TIRES.
 - FOR YOUR OWN SAFETY REPLACE DAMAGED TIRES IMMEDIATELY.
 - WORN TIRES CAN HAVE A NEGATIVE EFFECT ON HOW YOUR MOTORCYCLE PERFORMS, ESPECIALLY ON WET SURFACES.
 - IF AIR PRESSURE IS TOO LOW, ABNORMAL WEAR AND OVERHEATING OF THE TIRE CAN RESULT.



Checking spoke tension

The correct spoke tension is very important for the stability of the wheels and thus for riding safety. A loose spoke causes the wheel to become unbalanced and before long other spokes will have come loose. Check spoke tension, especially on a new motorcycle, in regular intervals. For checking, tap on each spoke with the blade of a screwdriver (see photo). A clear tone must be the result. Dull tones are indicators of loose spokes. If necessary, have the spokes retightened and the wheel centered by a KTM dealer.

- WARNING**
- SPOKES CAN TEAR IF YOU CONTINUE TO RIDE WITH THEM LOOSE. THIS MAY LEAD TO AN UNSTABLE HANDLING OF YOUR MOTORCYCLE.
 - EXCESSIVELY TENSIONED SPOKES MAY RUPTURE DUE TO LOCAL OVERLOADING. THE SPOKES MUST BE TENSIONED TO 4 NM (3ft.lb).



Battery for digital speedometer

To prevent the speedometer settings from being lost when the vehicle battery is disconnected, an extra battery can be inserted in the speedometer.

To insert, remove the headlight mask and dismount the electronic speedometer. Remove the screw connection ①, insert the battery (type Duracell CR 2430) with the writing facing up and remount the screw connection.

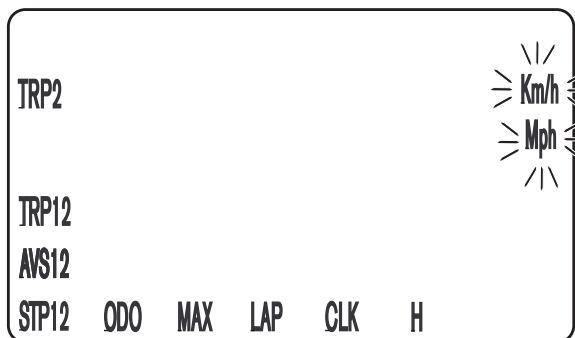
Kilometers or miles

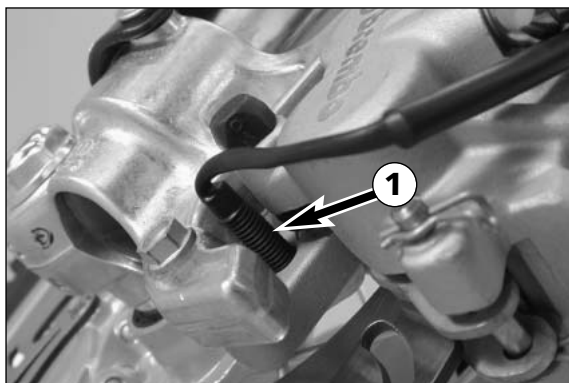
The unit (kilometers or miles) can also be changed. The ODO figure will be retained and converted accordingly. The TRP1, AVS1, STP1, TRP2 and AVS2 figures will be cleared.

To select the unit, select the SPEED/H mode and hold the MODE button for 3 seconds to access the SETUP menu. Press the MODE button 10 times until the KMH/MPH function blinks. Press the + button to move to the options. Press the + button for KMH or the - button for MPH. If no button is pressed for 20 seconds, the setting will be stored automatically and the display will return to the SPEED/H mode.

The setting can be stored immediately by holding the MODE button for a few seconds until the display returns to the SPEED/H mode.

- + BUTTON to access the menu
- to activate the KMH setting
- BUTTON to activate the MPH setting
- press the MODE BUTTON to change to the next mode
- press and hold the MODE BUTTON 3 SECONDS to store the setting and return to the SETUP menu

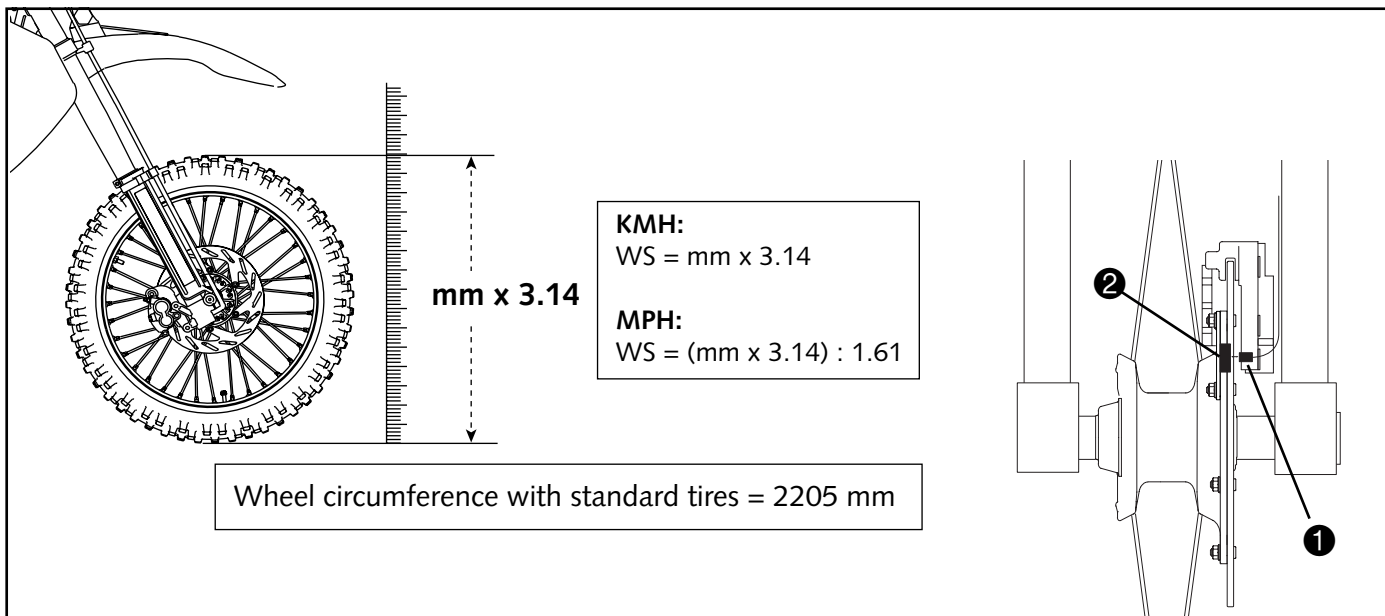




Check/set distance of the magnetic sensor

The distance between magnet ② and sensor ① must be 2-4 mm, otherwise malfunctions on the speedometer might occur.

This distance can be corrected by screwing in or off the sensor ①.

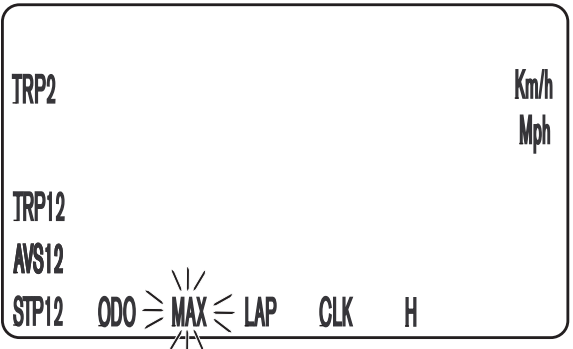


Setting the clock

To set the clock, switch the ignition off and select the SPEED/CLK mode. Press and hold the MODE button for 3 seconds. The blinking digits can be changed using the + and – buttons. Press the MODE button to move to the next digit.

If no button is pressed for 20 seconds, the settings will be stored automatically and the display will return to the SPEED/CLK mode.

- + BUTTON time +
- BUTTON time –
- press the MODE BUTTON to change to the next digit
- press and hold the MODE BUTTON 3 SECONDS to store the time and return to the SPEED/CLK mode



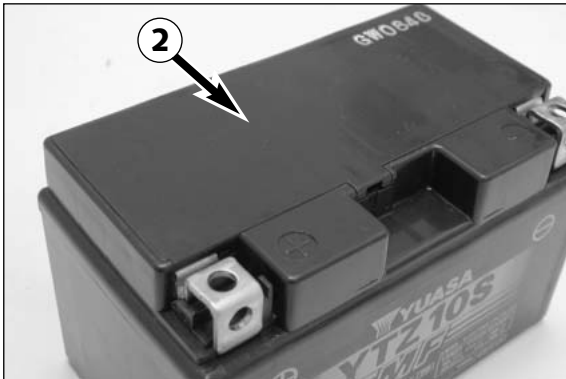
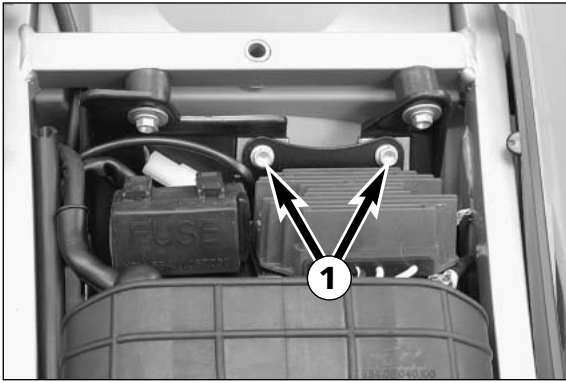
Activating/deactivating the display modes

It may not be necessary to display all of the display modes (functions) at the same time. It is possible to conceal any information not currently required. By deactivating certain functions, the MODE button will only allow you to select from the activated modes.

In the SPEED/H mode, press and hold the MODE button for 3 seconds to access the SETUP menu. The blinking function can be activated by pressing the + button and deactivated by pressing the – button.

If no button is pressed for 20 seconds, the setting will be stored automatically and the display will return to the SPEED/H mode.

- + BUTTON activates the blinking display
- BUTTON deactivates the blinking display
- press the MODE BUTTON to change to the next display without changing any settings
- press and hold the MODE BUTTON 3 SECONDS to store the settings and change to the SPEED/H mode



Battery

The battery is located under the seat and is maintenance-free. It is not necessary to check the electrolyte level or to refill water. Simply keep the battery poles clean and slightly grease them with an acid-free grease if necessary.

Removing the battery:

Remove screws ① and swing retaining bracket and voltage regulator out of the way.

First disconnect the negative and then the positive pole of the battery. Remove battery.

When replacing, connect first the positive and then the negative pole.

! WARNING !

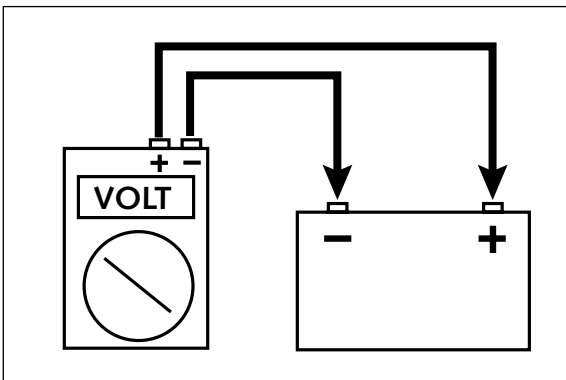
- IF ELECTROLYTE (SULPHURIC ACID) LEAKS FROM THE BATTERY, PROCEED WITH GREAT CARE. THE ELECTROLYTE CAN CAUSE SEVERE BURNS.
- IN THE CASE OF SKIN CONTACT RINSE THOROUGHLY WITH WATER.
- IN THE CASE OF CONTACT WITH THE EYES, THOROUGHLY RINSE EYES WITH WATER FOR AT LEAST 15 MINUTES. IMMEDIATELY CONSULT A DOCTOR.
- THE BATTERY IS A CLOSED MODEL BUT CAN NEVERTHELESS EMIT EXPLOSIVE GASES. AVOID SPARKS AND OPEN FIRE NEAR THE BATTERY.
- DEFECTIVE BATTERIES MUST BE STORED OUT OF THE REACH OF CHILDREN. ENSURE PROPER DISPOSAL OF DISCARDED BATTERIES.

! CAUTION !

- TO AVOID DAMAGE, DO NOT REMOVE THE LOCKING BAR ②.
- NEVER DISCONNECT THE BATTERY WHILE THE ENGINE IS RUNNING. THIS WILL DESTROY THE RECTIFIER-REGULATOR.
- THE BATTERY MUST BE INSTALLED WITH THE TERMINALS FACING THE FRONT (AS SHOWN IN THE ILLUSTRATION), OTHERWISE ELECTROLYTE CAN ESCAPE.

BATTERY STORAGE:

When preparing the motorcycle for a longer period of standstill, remove the battery and recharge it. Storage temperature: 0 - 35°C (30 - 95°F). Do not expose to direct sunlight.



Charging the battery

Remove the battery and check the charging level. Use a voltmeter to measure the voltage between the battery poles (off-load voltage). Accurate results can only be obtained if the battery has neither been charged nor discharged during a period of 30 minutes preceding the measuring. Recharging is not required if the voltage exceeds 12.4 V. Recharge if the voltage is below 12.4 V.

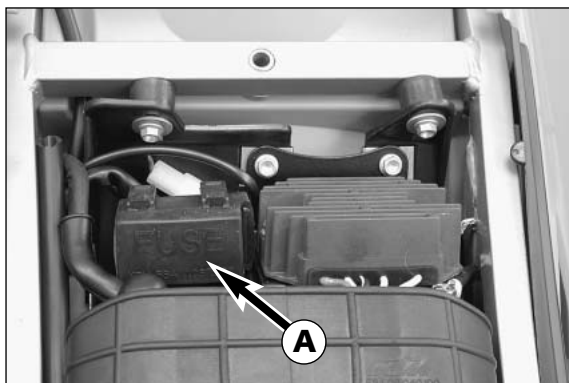
CHARGING:

Charge the battery for 5 to a max. of 10 hours with 0.9 amperes and a max. of 14.4 volts. For a quick charge, do not charge the battery longer than 1 hour with 4.5 amperes and a max. of 14.4 volts.

! CAUTION !

- IF THE CHARGE CONDITION CANNOT BE ESTABLISHED, THE BATTERY MAY ONLY BE CHARGED 5 TO A MAX. OF 10 HOURS WITH 0.9 AMPERES AND A MAX. OF 14.4 VOLTS.
- ALWAYS CONNECT THE BATTERY TO THE CHARGING UNIT BEFORE TURNING THE CHARGING UNIT ON.
- WHEN RECHARGING THE BATTERY IN CLOSED ROOMS THERE IS SUFFICIENT VENTILATION. EXPLOSIVE GASES ARE RELEASED DURING THE BATTERY CHARGING PROCESS.
- CHARGING TIME AND CHARGING VOLTAGE SHOULD NOT EXCEED THE STATED VALUES. OTHERWISE ELECTROLYTE WILL BE RELEASED THROUGH THE SAFETY VALVES.
- AVOID QUICK CHARGING IF POSSIBLE.
- TO AVOID DAMAGE, DO NOT REMOVE THE LOCKING BAR.





Fuses

Fuse box **A** is located under the seat.
See "Removing the seat" to remove and mount the seat.
The fuses are numbered on the inside of the fuse box.
The fuses marked "RES" are spare fuses.

Main fuse 1 (20 amperes) protects all power consumers against short circuits.

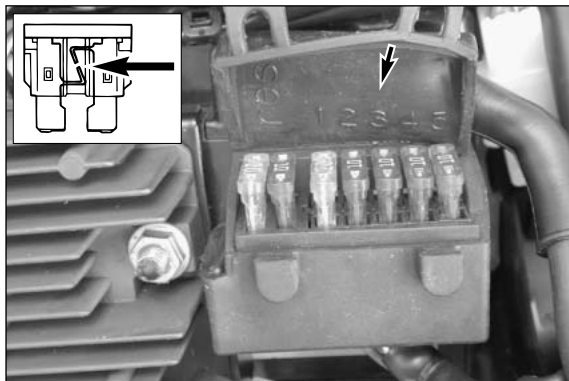
Fuse 2 (10 Ampere) protects the following power-consuming units:
– electronic speedometer
– capacitor

Fuse 3 (10 Ampere) protects the following power-consuming units:
– ignition
– starter system

Fuse 4 (10 Ampere) protects the following power-consuming units:
– flasher lights
– brake light
– horn

Fuse 5 (10 Ampere) protects the following power-consuming units:
– headlight
– parking light

Replace a blown fuse only with an equivalent one. If a new fuse that has just been set in gets blown again, you are strongly advised to have it inspected by a KTM dealer.



! CAUTION !

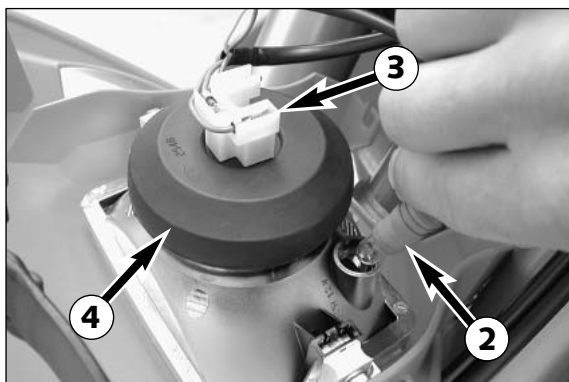
UNDER NO CIRCUMSTANCES IS A STRONGER FUSE ALLOWED TO BE SET IN OR A FUSE ALLOWED TO BE "REPAIRED". AN INEXPERT TREATMENT COULD DAMAGE THE WHOLE ELECTRICAL INSTALLATION!

Replacing headlight lamp/parking light lamp

Loosen both rubber bands **1** and tilt headlight mask to the front.

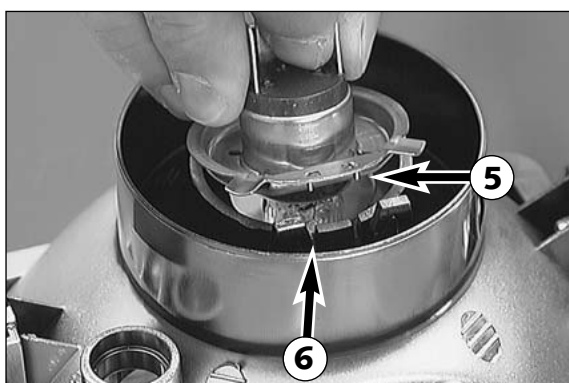


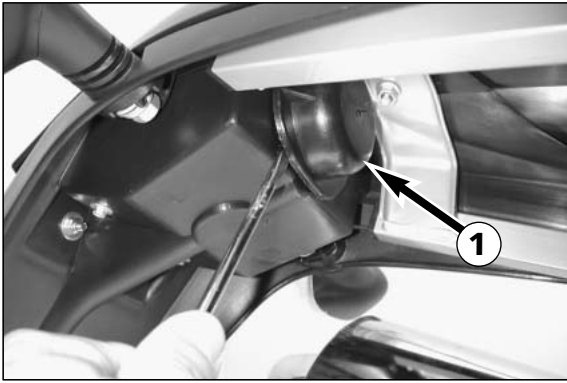
Pull the parking light lamp with holder **2** carefully out of the reflector. Pull connector **3** off the headlamp and remove rubber cap **4**. Disengage retaining clip and take bulb out of reflector. When changing the parking-light lamp, simply pull it out of the holder.



Insert the new lamp such that the noses **5** engage in the recesses **6**. When doing so, do not touch the glass body of the lamp so that it remains free from fat. Engage retaining clip, mount rubber cap and connector. If the parking-light lamp is to be replaced, simply insert it in the holder. Reinsert the parking-light lamp together with the holder.

Engage the bottom end of the headlamp mask at the retaining pins and fix the mask by means of the rubber bands.





Exchanging the brake light and tail light bulb

Remove the cap ❶ on the underside of the license plate retainer.



Turn the lamp socket ❷ approximately 30° counterclockwise and pull it out of the tail light housing.

Slightly depress the bulb, turn it approx. 30° counterclockwise and pull it out of the socket.

To mount the lamp reverse the worksteps indicated above.

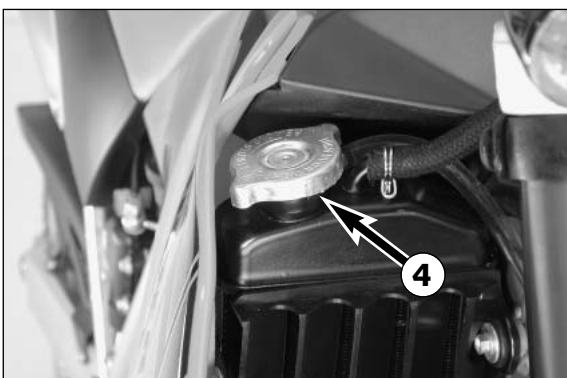
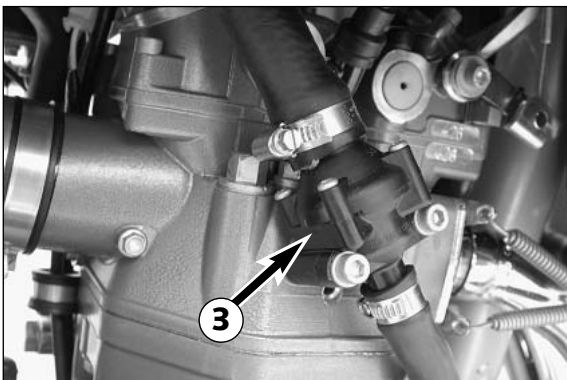


Cooling system

Coolant is circulated by a water pump located in the engine. When the engine is cold the coolant circulates only through the cylinder and the cylinder head. After the engine has reached its operating temperature (about 70°C, 158°F), the thermostat ❸ opens and the coolant is also pumped through both aluminum radiators.

Air blowing in through the radiators cools the coolant. The slower the speed of the motorcycle, the less the coolant is cooled down. Dirty radiators also reduce the cooling efficiency.

Pressure induced by heating of the coolant in the system is controlled by a valve in the radiator cap ❹; a water temperature rising up to 120° C (248° F) is admissible, without fear of problems.



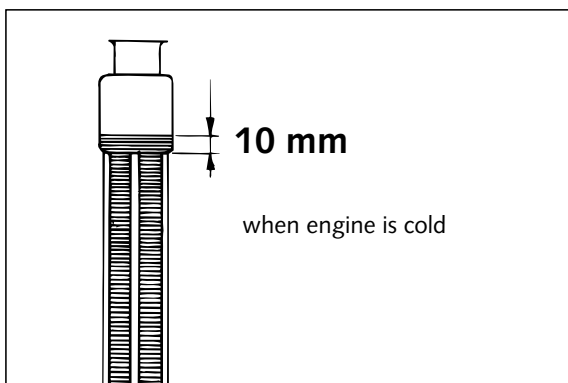
⚠ **WARNING** ⚠

- IF POSSIBLE, ALWAYS CHECK LEVEL OF COOLING LIQUID WHEN ENGINE IS COLD. IF YOU HAVE TO OPEN THE RADIATOR CAP ❹ WHEN THE ENGINE IS HOT, USE A RAG TO COVER THE CAP AND OPEN SLOWLY TO RELEASE PRESSURE. **CAUTION - SCALDING HAZARD !**
- DO NOT DETACH ANY RADIATOR HOSES WHILE THE ENGINE IS HOT. THE ESCAPING HOT COOLANT AND THE STEAM MAY CAUSE SERIOUS BURNS.
- IN CASE YOU GET BURNT, HOLD THE AFFECTED PART OF YOUR BODY UNDER RUNNING COLD WATER RIGHT AWAY!
- COOLANT IS TOXIC. KEEP THE COOLANT OUT OF THE REACH OF CHILDREN!
- IN CASE COOLANT IS INGESTED, GO SEE A DOCTOR IMMEDIATELY!
- IF COOLANT GETS INTO YOUR EYES, RINSE THEM OUT WITH WATER IMMEDIATELY AND GO SEE A DOCTOR!

A mixture of 40% anti freeze liquid and 60% water is used as coolant. However, the anti-freeze protection must be at least -25° C (-13° F). This mixture offers anti-freeze protection but also good corrosion protection and should therefore not be replaced by pure water.

! **CAUTION** !

FOR THE COOLING SYSTEM, USE ONLY WITH HIGH-GRADE ANTIFREEZE (SHELL ADVANCE COOLANT). USING LOWER-GRADE ANTIFREEZE AGENTS, CAN CAUSE CORROSION AND COOLANT FOAMING.



Checking the coolant level

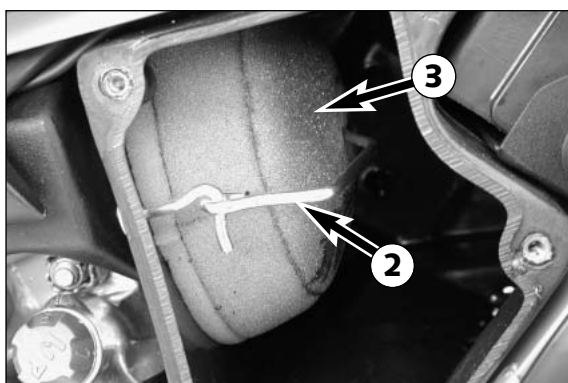
The coolant should be 10 mm (0,4 in) above the radiator fins when the engine is cold (see illustr.). In the event of the coolant being drained, always fill and bleed the system.



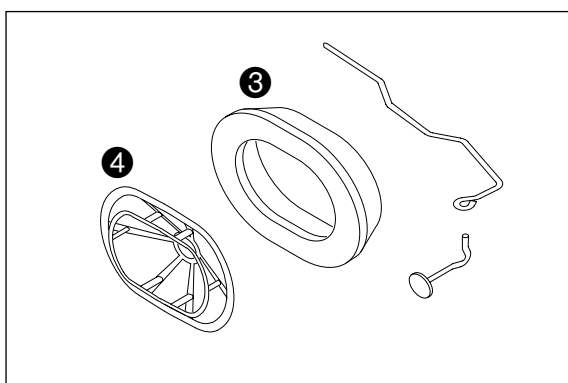
Cleaning the air filter *

It is very important for the engine's life expectancy to clean the air filter regularly.

To clean the air filter, remove screws ① and the filter box cover. Detach retaining clip ② and remove the air filter ③ including the filter holder ④ from the filter box.



Remove the air filter from the filter holder and wash thoroughly in special cleaning fluid. Products required for a professional maintenance of the air filter are available from TWIN AIR. Press out the water from the air filter but do not wring and allow the filter to dry. Lubricate the dry air filter thoroughly with highgrade filter oil, rubbing to coat the entire filter surface. Clean the filter box and cover and check the carburetor connection boot for damage.



Mount the air filter on the filter holder, position in the filter box (make sure to center) and fix with the retaining clip. Check whether the air filter is positioned correctly and mount the filter box cover.

! CAUTION !

- DO NOT CLEAN AIR FILTER WITH FUEL OR PETROLEUM SINCE THESE WILL DAMAGE THE FOAM. KTM RECOMMENDS THE PRODUCTS MADE BY TWIN AIR FOR AIR FILTER MAINTENANCE. FOR CLEANING PURPOSES AND TO OIL THE AIR FILTER.
- DUST AND DIRT CAN ACCUMULATE AND DAMAGE THE ENGINE IF THE AIR FILTER IS NOT MOUNTED CORRECTLY.
- NEVER START YOUR MOTORCYCLE WITHOUT ANY AIR FILTERS. OTHERWISE, DUST AND DIRT MAY PENETRATE AND CAUSE DAMAGE AND INCREASED WEAR.



Exhaust system *

Aluminium silencers are filled with glass fiber yarn. If exposed to heat for longer periods of time, however, the glass fiber yarn pack will come unravelled, which can reduce both overall performance and the performance of the silencer. Experience has shown that the front glass fiber pack ① must be replaced more often than the rear pack ②.

To replace the front glass fiber yarn pack, remove the silencer. Remove the front cap ③, pull the front glass fiber yarn pack out of the silencer, mount a new pack on the internal exhaust pipe, insert the internal exhaust pipe ④ into the silencer and replace the cap.

To replace the rear glass fiber yarn pack, drill the rivets open and remove the rear cap ⑤.

NOTE:

Always renew the O-rings ⑥.

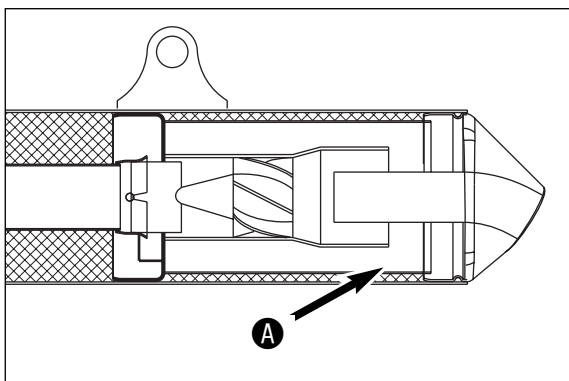
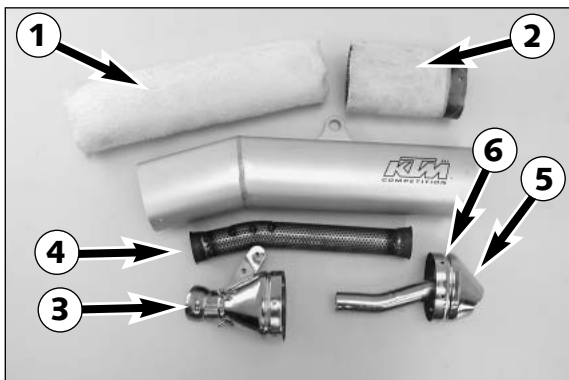
Glass fiber yarn packs are available in your KTM store.



WARNING



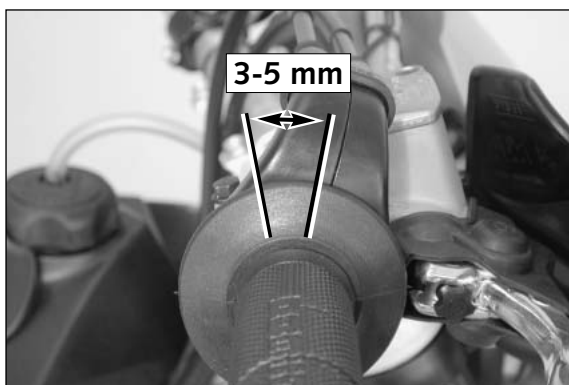
THE EXHAUST SYSTEM BECOMES VERY HOT WHILE THE MOTORCYCLE IS RUNNING. TO AVOID BURNS DO NOT START WORK ON THE EXHAUST SYSTEM UNTIL IT HAS PROPERLY COOLED DOWN.



Cleaning the spark arrester (USA) *

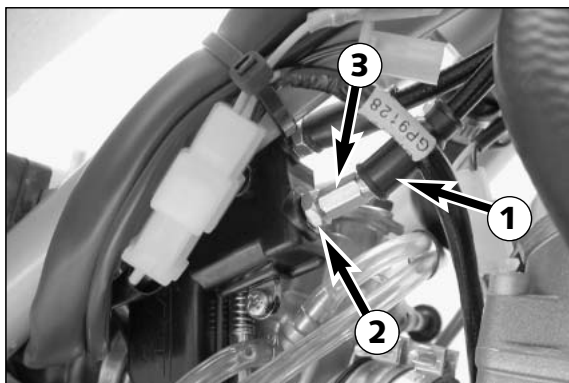
The spark arrester should be cleaned every time the glassfiber yarn filling is changed or at least once annually.

For this purpose, dismount the silencer cap and remove any deposits that might exist in region A. Renew the O-ring and mount the silencer cap.



Adjusting the throttle cable *

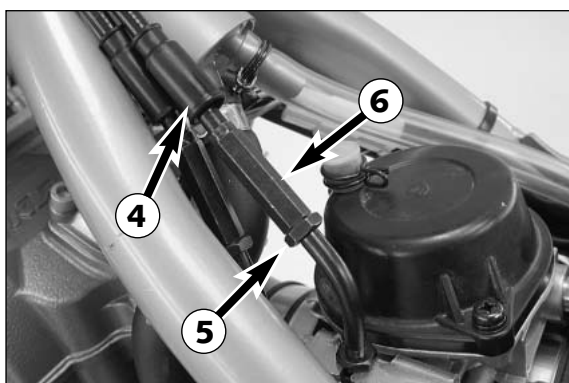
The throttle grip should always provide for a backlash of 3-5 mm (0,12-0,20 in). Besides, with the engine running, the idling speed must not change if you turn the handlebar all the way to the left or right.



KEIHIN FCR-MX41:

To adjust the throttle cables, dismount the seat and the tank together with spoilers. Slide back the protection cover ①. Loosen the counter nut ② and turn the adjusting screw ③ accordingly. Turning the adjusting screw counterclockwise will reduce the backlash, turning the adjusting screw clockwise will increase the backlash.

Tighten the counter nut and check whether the throttle grip can be actuated smoothly. Mount tank and seat.

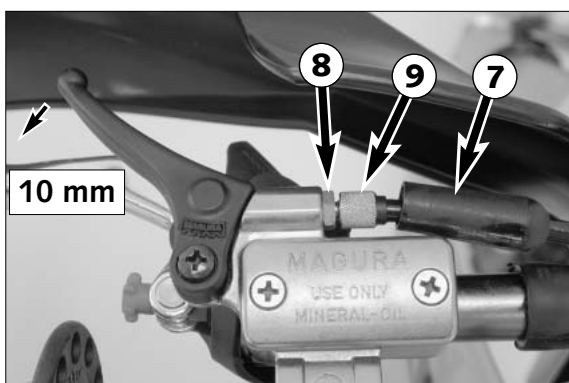


MIKUNI BST40:

If a correction is necessary, start by removing the tank. Slide back the protection cover ④. To set the backlash, loosen the counter nut ⑤ and turn the adjusting screw ⑥ accordingly. Then, fasten the counter nut and slide the protection cover back on.

Make sure that the throttle grip will return to the idle position automatically once you let go of it.

To check the correctness of this setting, start the engine, turn the handlebar left and right, in both cases as far as it will go. This must not cause any changes in idling speed. Otherwise, you have to increase the backlash of the throttle cable.



Checking the adjustment of the hand decompression cable *

To check, set piston at compression, so that the valves are closed. While doing this, slowly operate the kickstarter through its stroke until the clicking sound (disengaging) of the automatic decompression can be heard. Now the decompression lever must be operated 10 mm until resistance is felt (the exhaust valves begin to open).

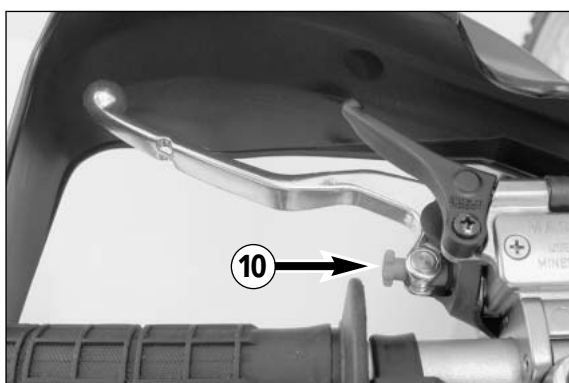
To adjust, move back the protective cover ⑦, loosen the counter nut ⑧ and correct the adjustment screw ⑨ accordingly. Tighten counter nut and push back protective cover.

! CAUTION !

THE SETTING OF THE DECOMPRESSION CABLE SHOULD BE CHECKED REGULARLY. IF THERE IS NO PLAY IN THE DEKO-LEVER, THIS CAN RESULT IN ENGINE DAMAGE.

NOTE:

No adjustment need be made to the automatic decompressor.



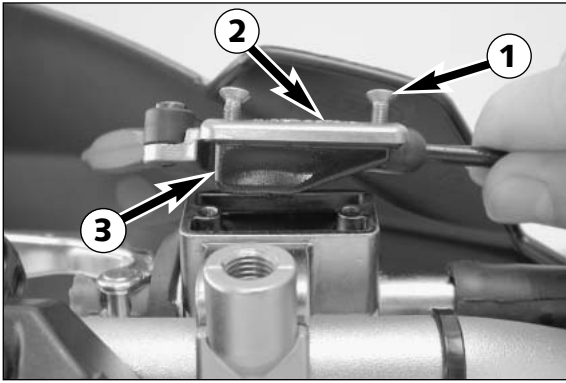
Changing the original position of the clutch lever

The adjusting screw ⑩ can be used for individual adjustment of the original position of the clutch lever, thus allowing adjustment to an optimal position for every hand size.

Turning the adjusting screw clockwise reduces the distance between the clutch lever and the handlebar. Turning the adjusting screw counterclockwise increases the distance between the clutch lever and the handlebar.

! CAUTION !

ADJUSTMENT OF THE CLUTCH LEVER POSITION IS ONLY POSSIBLE WITHIN CERTAIN LIMITS. ONLY TURN THE ADJUSTING SCREW MANUALLY AND NEVER APPLY EXCESSIVE FORCE.



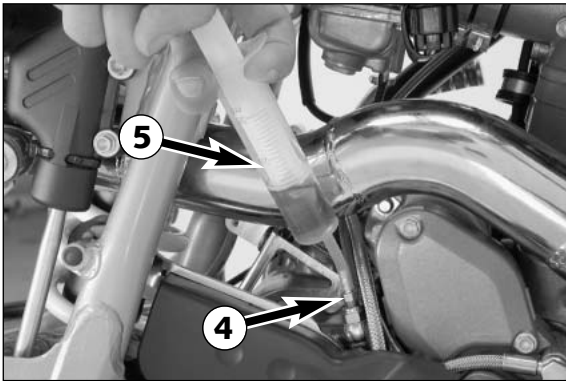
Checking the oil level of the hydraulic clutch

To check the oil level in the master cylinder of the clutch remove the cover. For this purpose, remove screws 1 and cover 2 together with the rubber boot 3. The oil level in the horizontal-standing master cylinder should be 4 mm below the upper edge.

If necessary, fill up with biodegradable hydraulic oil SAE 10 (e.g. Shell Naturelle HF-E15). Biodegradable hydraulic oil is available from your KTM dealer (50ml).

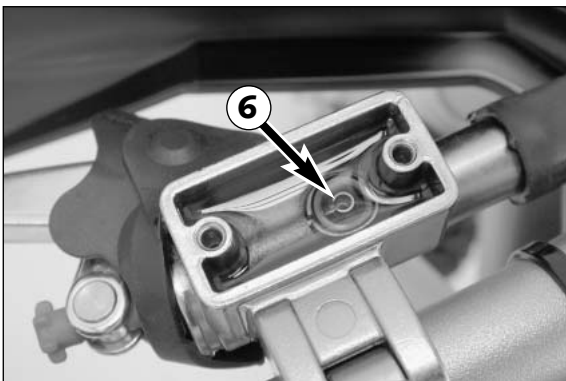
! CAUTION !

- KTM USES BIODEGRADABLE HYDRAULIC OIL FOR THE HYDRAULIC CLUTCH CONTROL. NEVER MIX BIODEGRADABLE HYDRAULIC OILS WITH MINERAL OILS.
- ALWAYS USE BIODEGRADABLE HYDRAULIC OIL SAE 10 TO FILL UP THE MASTER CYLINDER. NEVER REFILL WITH MINERAL HYDRAULIC OIL OR BRAKE FLUID.



Bleeding of the hydraulic clutch

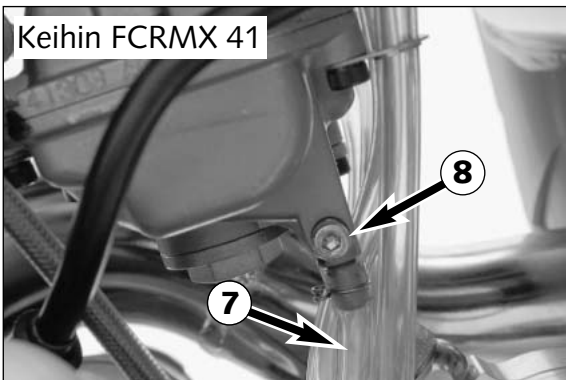
To bleed, the cover of the master cylinder of the clutch needs to be removed. For this purpose, remove screws 1 and take off cover 2 together with rubber bellows 3. At the slave cylinder of the clutch, remove the bleeder nipple 4. In its place, mount the bleeder syringe 5 which is filled with SAE 10 hydraulic oil. Refill oil until oil is discharged from the bore 6 of the master cylinder in a bubble-free state. Make sure that the oil does not overflow. The bleeder syringe can be purchased from your KTM dealer.



Having completed the bleeding procedure, you have to verify that the oil level in the master cylinder is correct. If necessary, fill up with biodegradable hydraulic oil SAE 10 (e.g. Shell Naturelle HF-E15). Biodegradable hydraulic oil is available from your KTM dealer (50ml).

! CAUTION !

- KTM USES BIODEGRADABLE HYDRAULIC OIL FOR THE HYDRAULIC CLUTCH CONTROL. NEVER MIX BIODEGRADABLE HYDRAULIC OILS WITH MINERAL OILS.
- ALWAYS USE BIODEGRADABLE HYDRAULIC OIL SAE 10 TO FILL UP THE MASTER CYLINDER. NEVER REFILL WITH MINERAL HYDRAULIC OIL OR BRAKE FLUID.



Keihin FCRMX 41

Draining the float chamber of the carburetor (Keihin/Mikuni)

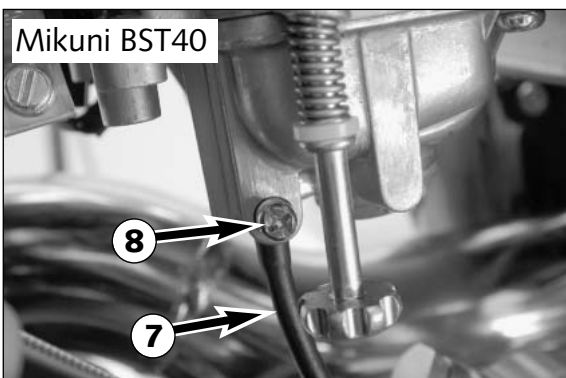
Following every wet cleaning procedure, the float chamber of the carburetor should be drained in order to remove any water that may have penetrated into it. Water in the float chamber causes malfunctioning. Perform this task on a cold engine.

Close the fuel tap and put one end of the hose 7 into a collecting vessel. Open the drain plug 8 (turning it counterclockwise) by several turns, and drain the fuel from the float chamber.

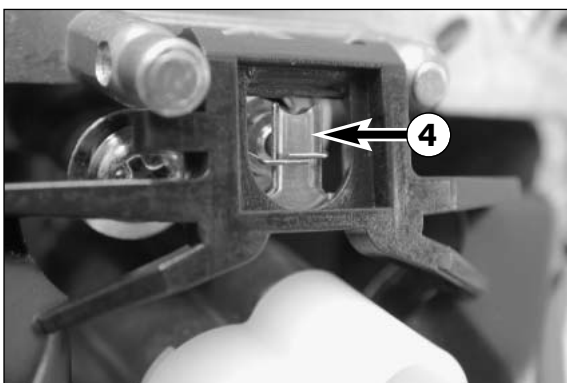
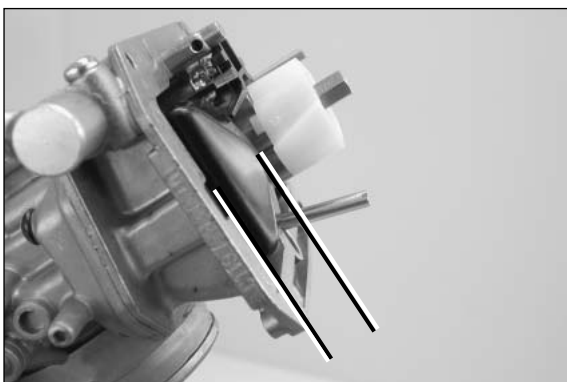
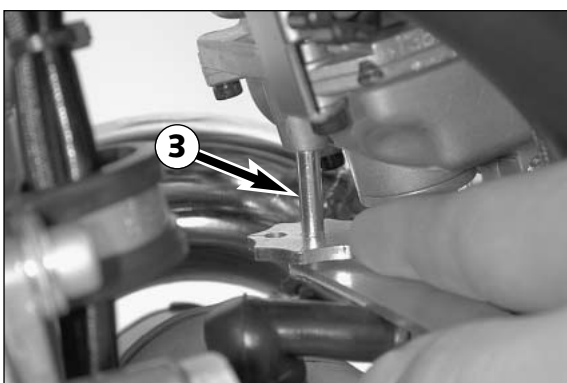
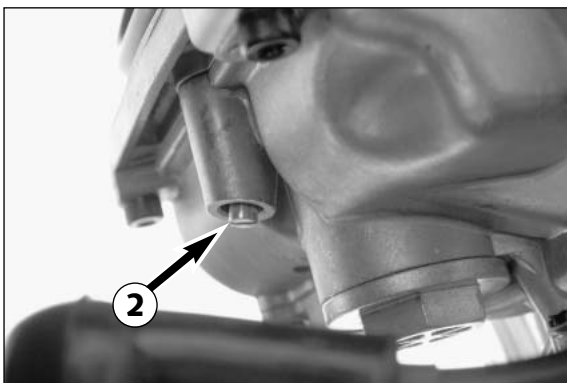
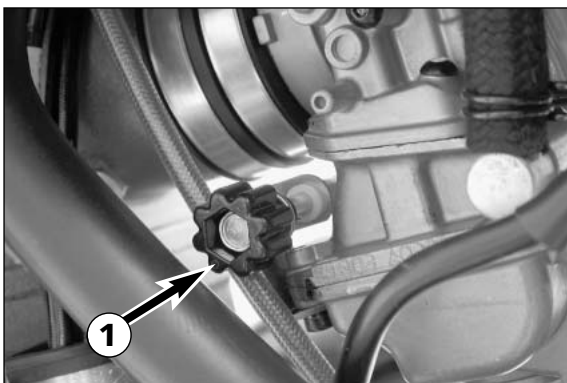
Then, retighten the drain plug and open the fuel tap.

⚠ WARNING ⚠

- FUEL IS EASILY FLAMMABLE AND TOXIC. WHEN HANDLING FUEL, BE SURE TO EXERCISE THE UTMOST CAUTION. NEVER PERFORM ANY WORK ON THE FUEL SYSTEM IN THE PROXIMITY OF OPEN FLAMES OR BURNING CIGARETTES.
- ALWAYS ALLOW THE ENGINE TO COOL OFF FIRST. IMMEDIATELY CLEAN UP ANY FUEL WHICH MAY HAVE BEEN SPILLED. MATERIALS SATURATED WITH FUEL ARE ALSO EASILY FLAMMABLE. IN CASE YOU INGESTED FUEL OR FUEL SPLASHED INTO YOUR EYES, CONSULT A DOCTOR IMMEDIATELY.
- DISPOSE THE FUEL PROPERLY!



Mikuni BST40



CARBURETOR – Adjust idling (Keihin-FCRMX 41) *

Idling adjustment of the carburetor strongly affects the engine's starting behavior. That is, an engine whose idling speed is adjusted correctly will be easier to start than one whose idling speed has not been adjusted correctly.

The idle speed is controlled by means of the adjusting wheel ❶ and the mixture control screw ❷. The adjusting wheel is used to adjust the basic setting of the slide. The mixture control screw is used to control the idle mixture which arrives at the engine by way of the idle system. Clockwise turning reduces the fuel quantity (lean mixture), counterclockwise turning increases the fuel quantity (rich mixture).

TO ADJUST IDLING CORRECTLY, PROCEED AS FOLLOWS:

- 1 Turn in mixture control screw ❷ up to the stop, and turn it back out to the basic position (see technical date-engine)
- 2 Warm up the engine
- 3 Use the adjusting wheel ❶ to set the normal idle speed (1400 - 1500 rpm).
- 4 Turn mixture control screw ❷ slowly clockwise until idling speed starts to decrease. Memorize this position, and turn mixture control screw slowly counterclockwise until the idling speed decreases again. Adjust the point of the highest idling speed between these two positions. If, in the course of this procedure, the speed undergoes a relatively high increase, reduce the idle speed to a normal level and repeat the procedure specified in 4. Serious competitive racers will choose a setting approx. 1/4 turn (clockwise) leaner than this ideal value because their engine will heat up more when used in competitions.

NOTE: If you fail to obtain a satisfying result by following the procedure described above, an incorrectly dimensioned idling nozzle may be the cause. If:

- a) the mixture control screw has been screwed in up to the stop without causing any change in rotational speed, a smaller idling jet has to be installed;
- b) the engine dies when the mixture control screw is still open by 2 turns, a larger idling jet needs to be selected.

Naturally, in cases of jet changes, you have to start your adjusting work from the beginning.

- 5 Then, use the adjusting wheel to set the desired idle speed.
- 6 In cases of greater changes in the outside temperature and extremely different altitudes, the idling speed should be readjusted.

Basic information on carburetor wear

As a result of engine vibrations, the throttle valve, jet needle, and needle jet are subjected to increased wear. This wear may cause the carburetor to malfunction (e.g., overly rich mixture). Therefore, these parts should be replaced after 200 hours.

Adjusting the mixture control screw *

Introduce the special tool on the mixture control screw ❷ at the carburetor bottom. Press the tool slightly upward and turn the adjusting wheel ❸ until the tool engages the slot of the mixture control screw.

Now, you can go about adjusting the screw. Marks were provided on the adjusting wheel, making it easier to keep track of the turns.

Checking the float level (float height) *

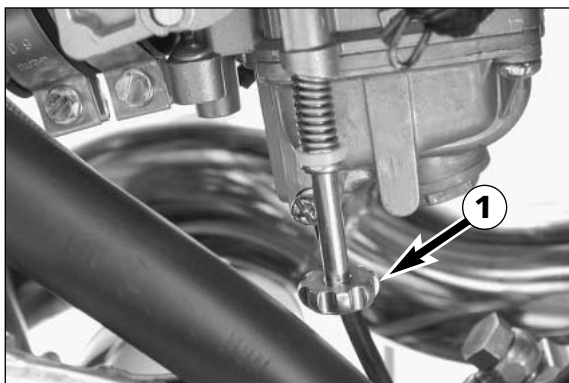
For this purpose, dismount the carburetor and remove the float chamber. Hold the carburetor in a slanted position such that the float will about the float needle valve but not compress it.

In this position, the edge of the float should be parallel with the float chamber sealing surface (see illustration).

If the float height does not correspond to the desired value, check the float needle valve and, if necessary, replace it.

If the float needle valve is o.k., you can adjust the float height by bending the float lever ❹.

Mount the float chamber, install the carburetor, and adjust the idle speed.



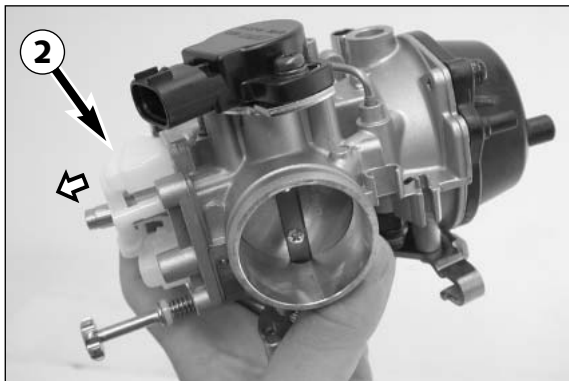
CARBURETOR – Adjust idling (Mikuni BST 40) *

Idling adjustment of the carburetor strongly affects the engine's starting behavior. That is, an engine whose idling speed is adjusted correctly will be easier to start than one whose idling speed has not been adjusted correctly.

Use the adjusting screw ❶ to adjust the basic position of the throttle valve and, thus, the idle speed. Turning in clockwise direction will increase the idling speed, turning in counterclockwise direction will reduce the idling speed. Normal idling speed 1400 - 1500 rpm.

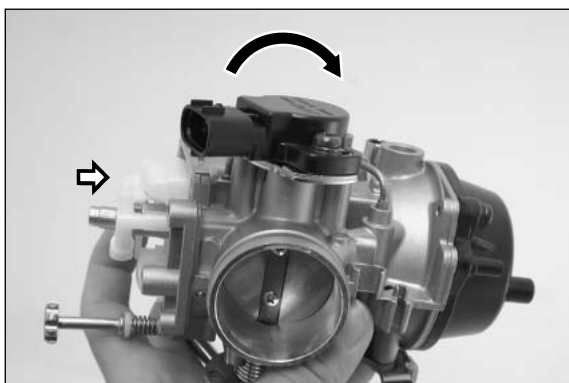
Basic information on carburetor wear

As a result of engine vibrations, throttle valve, jet needle, and needle jet are subjected to increased wear. This wear may cause carburetor malfunction (e.g., overly rich mixture). Therefore, these parts should be replaced after 200 hours.



Checking the float level (float height) *

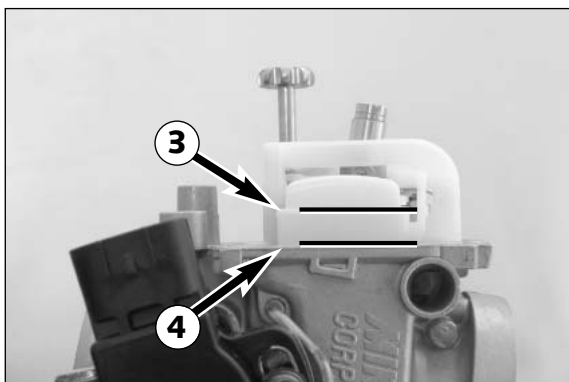
Disassemble the carburetor and remove the float chamber. Hold down the float frame and tilt the carburetor as shown in the photo. Float ❷ can be tilted downwards in this position.



Turn carburetor slowly until the float moves towards the carburetor. In this position the edge of the float ❸ must be parallel to the sealing surface of the carburetor ❹.

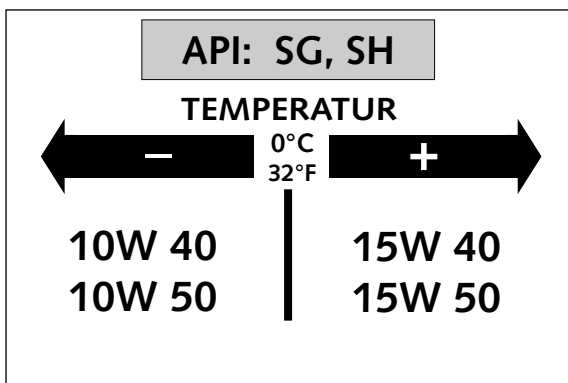
! CAUTION !

IF YOU HOLD ON TURNING THE CARBURATOR, THE FLOAT WILL PRESS AGAINST THE SPRING OF THE NEEDLE VALVE AND A CORRECT CHECK IS NOT POSSIBLE. IN THAT CASE THE CARBURATOR IS TO BE TURNED BACK AND THE CHECK MUST BE DONE TWICE.



If the two edges are not parallel, correction can be done by bending the lever of the needle valve. At the end a check is necessary again.

Mount the float chamber, install the carburetor, and adjust the idle speed.

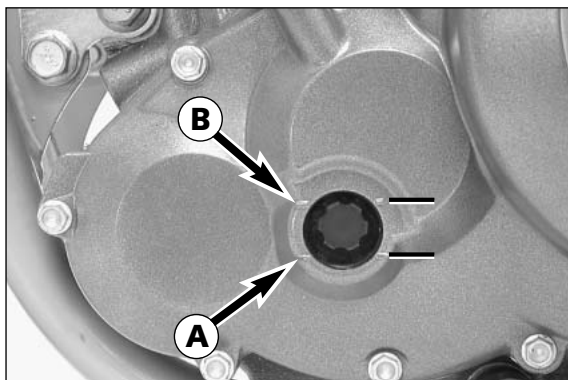


Engine oil

Only use synthetic high-quality oils (Shell Advance Ultra 4) meeting or surpassing the quality requirements of API classes SG, or SH (for specifications see containers).

! CAUTION !

INSUFFICIENT OIL OR POOR QUALITY OIL RESULTS IN PREMATURE WEAR OF THE ENGINE.



Checking the engine oil level

The engine oil level can be checked when the engine is cold or warm. To check, place the motorcycle in an upright position on a level surface (center stand).

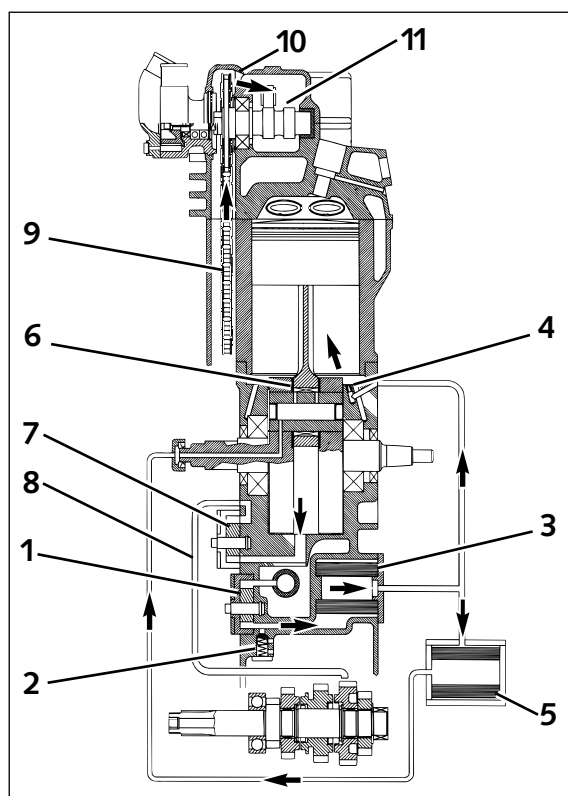
If the engine is cold, the oil level should be visible at the lower edge **A** of the inspection glass.

If the engine is warm, the oil level should be visible at the upper edge **B** of the inspection glass.

Add engine oil if necessary.

! CAUTION !

- INSUFFICIENT AMOUNTS OF OR LOW-GRADE ENGINE OIL LEAD TO PREMATURE WEAR IN THE ENGINE.
- DO NOT OVERFILL THE ENGINE CASE.
- DO NOT UNDERFILL THE ENGINE CASE.

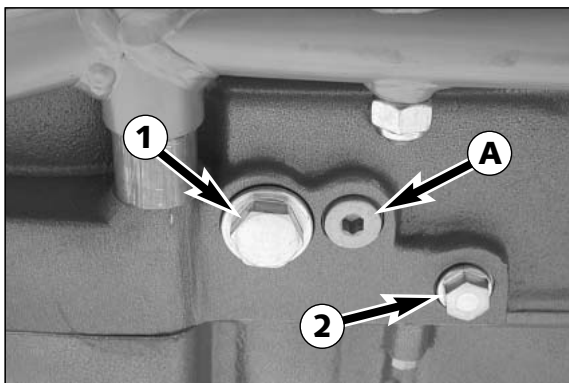


Oil circuit

The oil pump **1** pumps the engine oil past the by-pass valve **2** through the oil filter **3**. After the oil filter, an oil lead branches off to a jet **4** which sprays engine oil onto the piston pin bearing and piston head. The second oil lead takes the main flow of oil to the microfilter **5**, which filters out even the finest impurities.

The cleaned engine oil is pumped through the oil lead and the clutch cover into the crankshaft to the connecting rod bearing **6** and drips into the crankcase. An additional oil pump **7** sucks the engine oil out of the crankcase and pumps it through the oil line **8** to the gear wheels of the 4th and 5th gear.

Via the gear wheels, the engine oil reaches the oil sump. The timing chain **9** runs through the oil sump and transports the engine oil upwards to the cylinder head. Through the bore **10** the oil reaches the camshaft **11** and the valves.



Changing the engine oil *

The engine oil change is to be carried out when the engine is still warm.

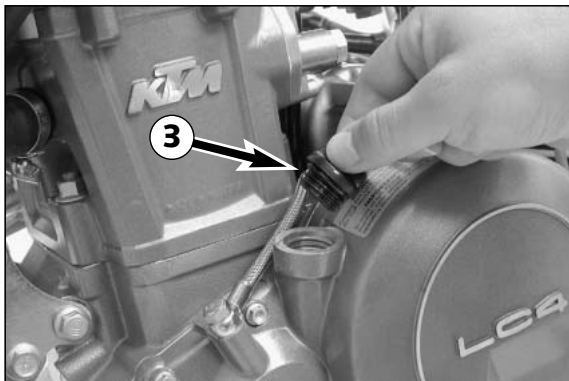
⚠ **WARNING** ⚠

AN ENGINE HAVING BEEN RUN WARM, AND THE ENGINE OIL IN IT ARE VERY HOT - DO NOT BURN YOURSELF.

Place the motorbike on a horizontal surface. Remove the two plugs (1 and 2), and drain oil into a container.

! **CAUTION** !

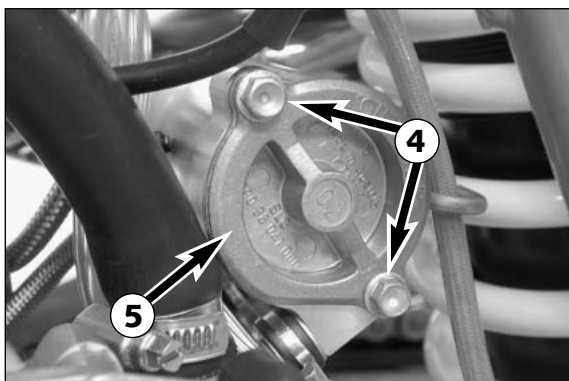
THE SCREW PLUG A MUST NOT BE REMOVED, THIS IS PART OF THE BY-PASS VALVE.



Clean the plugs thoroughly with a fireproof solvent and compressed air, in order to remove the metal abrasion. After all the oil has drained through, clean raised and flat faces and install plugs with seals. Tighten plug 1 with 30 Nm (22 ft.lb) and plug 2 with 20 Nm (15ft.lb).

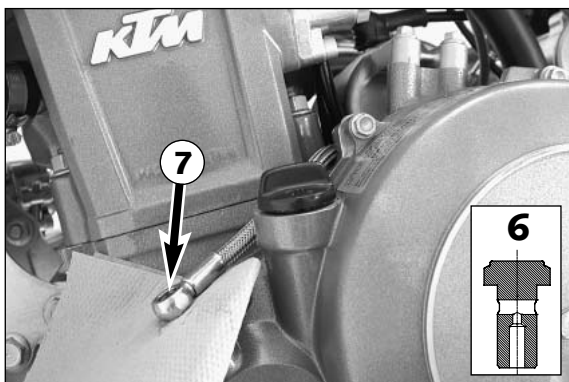
Remove screw connection 3 on the clutch cover and add 1.5 liters of engine oil (e.g. Shell Advance Ultra 4). Start the engine and check all screw connections and the oil filter cover for leakage.

Check the engine oil level and correct if necessary.

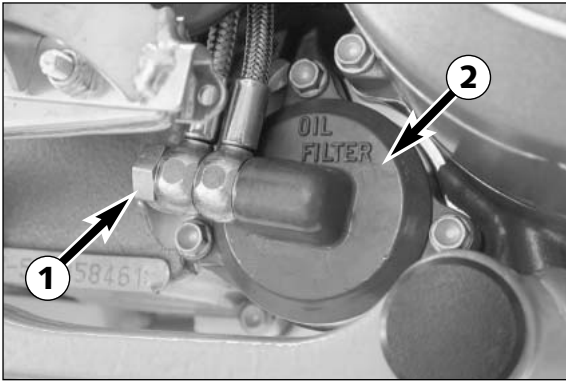


Changing and bleeding the microfilter *

Replace the microfilter while changing the engine oil. To do so, remove hexagon screws 4 and take off the microfilter cover 5. Remove the microfilter, clean its parts and check the O-ring on the microfilter lid for signs of damage. Before installing the new micro filter, soak it in clean engine oil. Place a new microfilter in the filter housing, apply a thin layer of grease to the O-ring and mount the microfilter cover.

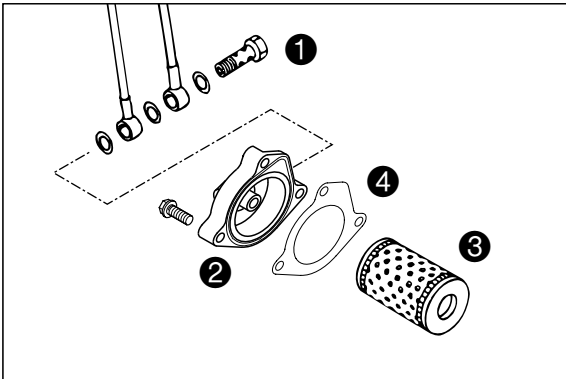


It is necessary to bleed the micro filter so that all friction areas can be quickly supplied with engine oil. To do this, fill with oil and remove the jet screw 6 from the oil line on the clutch cover. Start the engine and close off the oil filler hole on the clutch cover with a rag. Allow the engine to run at idle until oil runs out of the oil line 7. Turn the engine off. Install seal rings and the jet screw. Torque the jet screw to 10 Nm (7 ft.lb) and check for leaks.



Changing oil filter *

Replace the oil filter when changing the engine oil. Press the foot brake pedal and place a screwdriver or similar between foot brake pedal and stopper roll so that the oil filter cover is more accessible. Remove banjo bolt ① and the three screws. Remove oil filter cover ② and oil filter. Clean the filter case, oil filter cover and sealing areas. Make sure the oil duct in the oil filter cover is not clogged.



Place the new oil filter ③ on the connection in the oil filter cover and mount together with a new seal ④. Tighten the 3 screws in the filter cover to 5 Nm (4 ft.lb). Tighten the hollow screw with seals and tighten to 15 Nm (11 ft.lb).

Finally, start the engine and check the oil system for leakage.

TROUBLE SHOOTING

If you let the specified maintenance work on your motorcycle be carried out, disturbances can hardly be expected. Should an error occur nevertheless, we advise you to use the trouble shooting chart in order to find the cause of error. We would like to point out that many operations cannot be performed by oneself. In case of uncertainty, please contact a KTM-dealer.

TROUBLE	CAUSE	REMEDY
Engine doesn't crank. (E.-starter)	Operating error	Turn on the ignition
	Discharged battery.	Recharge the battery and investigate the causes for discharging; contact a KTM dealer
	Defect ignition lock or emergency OFF switch	Check ignition lock and emergency OFF switch, contact a KTM dealer
	Blown fuse safe-starting system.	Replace fuse (3)
	Blown main fuse.	Remove seat and replace the main fuse (1). If fuse blows again contact a KTM dealer
Engine cranks but doesn't start.	Operating error	Open fuel tap, tank fuel, you did not use choke i.e. the warm-start device. Pay attention to starting off information (see driving instructions)
	The motorcycle has been out of operation for a longer period of time. Therefore old fuel has accumulated in the float chamber	The easily inflammable components of the new fuels evaporate during longer periods of standstill. When the motorcycle has been out of operation for more than a week, it is therefore recommended to drain the old fuel from the float chamber. The engine will immediately start off when the float chamber is filled with new fuel.
	Fuel supply interrupted	Place a vessel underneath, remove the drain plug from the carburetor and open the fuel cock, – if fuel leaks out, the carburetor might need cleaning – if no fuel leaks out, check tank ventilation, i.e. clean fuel tap
	Flooded engine	Fully open the throttle when starting or exchange the spark plug, respectively
	Sooty or wet spark plug	Clean and dry the spark plug or exchange it, respectively
	Electrode gap too large	Adjust spark plug elektrode gap to 0,9 mm
	Spark plug connector or spark plug faulty	Dismount spark plug, connect ignition cable, hold to ground (blank place on engine) and actuate starter, a strong spark must be produced at the spark plug – If no spark is created exchange the spark plug. – If the new spark plug doesn't produce a spark either, disconnect the spark plug connector from the ignition cable, hold it a distance of approx. 5 mm from ground and start. – If a spark now occurs, replace spark plug cap – If no spark is produced, control ignition system
	The plug connection of the CDI-unit, the pulse generator or the ignition coil has oxydized	Remove the seat, the right side cover and the fuel tank. Clean the plug connection and treat it with contact spray
	Water in carburetor or jets blocked	Dismount and clean carburetor
Engine fails to idle	Glogged idling jet	Disassemble carburetor and clean jets
	Oncorrect adjustment of adjusting screws on carburetor	Have carburetor adjusted
	Defective spark plug	Replace spark plug
	Defective ignition system	Have ignition system checked

TROUBLE	CAUSE	REMEDY
Engine does not rev high	<p>Carburetor fuel level too high because</p> <p>Float needle is dirty or worn out</p> <p>Float leaks</p> <p>Defective membrane of slide</p> <p>Carburetor leaking</p> <p>Loose carburettor jets</p> <p>Electronic ignition timing faulty</p>	<p>Dismount carburetor and check if worn out</p> <p>Replace float needle</p> <p>Replace float</p> <p>Replace membrane (Mikuni BST40)</p> <p>Check vacuum hose and venting hose of carburetor for correct position (no kinks)</p> <p>Tighten jets</p> <p>Have ignition system checked</p>
Engine will not reach full power	<p>Fuel supply partially interrupted or carburetor dirty</p> <p>Float leaks</p> <p>Defective membrane of slide</p> <p>Carburetor leaking</p> <p>Air filter very dirty</p> <p>Valve clearance too small</p> <p>Loss of compression because hand decompressor has no play</p> <p>Electronic ignition timing faulty</p>	<p>Clean and check fuel system as well as carburetor</p> <p>Replace the float</p> <p>Replace membrane (Mikuni BST40)</p> <p>Check vacuum hose and venting hose of carburetor for correct position (no kinks)</p> <p>Clean or replace air filter, contact a KTM dealer</p> <p>Have valve clearance adjusted</p> <p>Check setting of the hand decompression cable</p> <p>Have ignition system checked</p>
Engine overheats	<p>Insufficient cooling liquid</p> <p>Radiator fins are extremely dirty</p> <p>Foam forms in cooling system</p> <p>Bent radiator hose</p> <p>Thermostat defective</p> <p>Defect thermostwitch</p>	<p>Refill cooling liquid (see maintenance work), check cooling system for leaks</p> <p>Clean radiator with water jet</p> <p>Replace cooling liquid, use antifreezer with brand name</p> <p>Shorten or replace cooling hose</p> <p>Remove and check thermostat (opening temperature 70°C (158°F) or replace it, contact a KTM dealer</p> <p>Contact a KTM dealer</p>
High oil consumption	<p>Buckling gear ventilation hose</p> <p>Engine oil level too high</p> <p>Engine oil too thin (viscosity)</p>	<p>Readjust or replace ventilation hose</p> <p>Check engine oil level when the engine is warm; correct if necessary</p> <p>Use thicker engine oil; see chapter „Engine oil“</p>
All switched on lamps blown out	<p>Voltage regulator faulty</p>	<p>Remove seat and check connections. Have voltage regulator checked</p>

TROUBLE	CAUSE	REMEDY
Headlight and parking light fail	Blown fuse	Replace fuse (5)
Flasher lights, brake light and horn fail	Blown fuse	Replace fuse (4)
The battery is discharged	<p>The ignition (power consumer) hasn't been switched off</p> <p>The battery isn't charged by the generator because</p>	<p>Recharge the battery according to the relevant instructions.</p> <p>Remove seat and check voltage regulator connections; voltage regulator and generator should be checked by a KTM dealer.</p>

CLEANING

Clean your motorcycle regularly in order to maintain the beauty of its plastic surfaces.

The best manner would be to use warm water that has been mixed with a normal trade washing detergent and a sponge. The hard dirt can be removed before with the help of a soft water jet.

!

CAUTION

!

NEVER CLEAN YOUR MOTORCYCLE WITH A HIGH-PRESSURED CLEANER OR A HIGH-PRESSURED WATER JET. THE WATER COULD OTHERWISE RUN INTO THE ELECTRICAL COMPONENTS, CONNECTORS, SHEATHED CABLES, BEARINGS, CARBURETOR ETC. AND CAUSE DISTURBINGS OR LEAD TO A PREMATURE DESTRUCTION OF THESE PARTS.

- You should use normal trade-mark detergents to clean the engine. Strongly dirtied parts should be cleaned additionally with the help of a paint brush.
- After the motorcycle has been rinsed with a soft water jet, it should be dried by air pressure and a cloth. Then take a short drive until the engine has reached the working temperature and also use the brakes. Due to the heat, the water also evaporates at the unapproachable parts of the engine and the brakes.
- Slide back the protective covers on the handlebar-mounted instruments so that any water that may have seeped into this part of the motorcycle is allowed to evaporate.
- After the motorcycle has cooled down, oil and grease all sliding and pivot points. Treat the chain with a chain spray too.
- To prevent failures in the electric system, you should treat the ignition lock, the emergency OFF switch, light switch and the socket connectors with contact spray.

CONSERVATION FOR WINTER OPERATION

In the event that the motorcycle is also used in winter and on roads where one has to expect salt spraying, you will have to take precautions against the aggressive road salt.

- clean motorcycle thoroughly and let it dry
- treat engine, carburetor, swing arm, and all other bare or galvanized parts (except for brake discs) with a wax-based anti-corrosion agent.

⚠

WARNING

⚠

KEEP ANTI-CORROSION AGENT FROM GETTING INTO CONTACT WITH THE BRAKE DISCS, FOR OTHERWISE THIS WILL SIGNIFICANTLY REDUCE THE BRAKING POWER.

!

CAUTION

!

AFTER RIDES ON SALTED ROADS, CLEAN MOTORCYCLE THOROUGHLY WITH COLD WATER AND LET IT DRY WELL!

STORAGE

Should you desire to make a pause over a longer space of time, please observe the following instructions:

- Clean motorcycle thoroughly (see chapter: CLEANING)
- Change engine oil, oil filter and fine screen filter (old engine oil contains aggressive contaminations).
- Check antifreezer and amount of cooling liquid.
- Warm up the engine once again, close the fuel cock and wait until the engine dies. Then open the drain plug of the float chamber to remove the remaining fuel.
- Remove spark plug and fill in approx. 5 ccm of engine oil into the cylinder through the opening. Actuate kick-starter 10 times in order to distribute the oil onto the cylinder walls and mount the spark plug.
- Set piston to compression so that the valves will be closed (slowly operate the kickstarter, until you can hear the automatic decompressor click (release)
- Let fuel flow out of tank into an appropriate container.
- Correct tire pressure.
- Lubricate pivot points of the control levers, foot rests, etc. as well as the chain.
- Service the shock absorber linkage
- Disassemble and charge battery (see chapter: BATTERY).
- The storage place should be dry and not subject to excessive temperature fluctuations.
- Cover the motorcycle with an air permeated tarpaulin or blanket. Do not use non air permeable materials as a possible humidity might not be able to escape and could cause corrosion.

!

CAUTION

!

IT WOULD BE VERY BAD TO LET THE ENGINE RUN FOR A SHORT TIME DURING THE STORAGE PERIOD. THE ENGINE WOULD NOT GET WARMED UP ENOUGH AND THE THUS DEVELOPED STEAM WOULD CONDENSE DURING THE COMBUSTION PROCESS AND CAUSE THE VALVES AND EXHAUST TO RUST.

RE-INITIATION AFTER TIME OF STORAGE

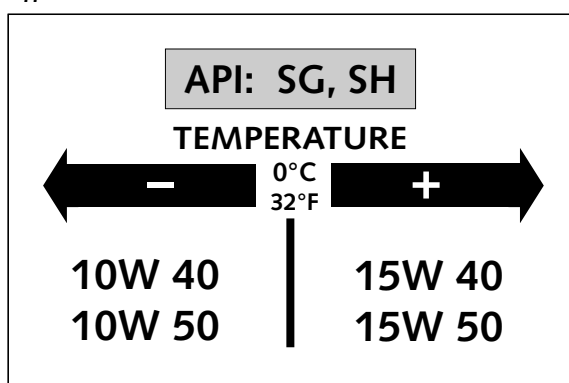
- Mount the charged battery (regard polarity).
- Fill up tank with fresh fuel.
- Check motorcycle as before each start (see driving instructions).
- Take a short, careful test ride first.

NOTE: Before you put your motorcycle away for the winter, you have to check all parts for their function and wear. Should any service jobs, repairs, or any refitting be necessary, you should have them carried out during the off-season (lower workload at mechanics' shops). This way, you can avoid the long waiting times at your mechanic at the beginning of the next biking season.

TECHNICAL SPECIFICATIONS – ENGINE 625 SXC 2003

Engine	625 SXC
Design	Liquid-cooled single cylinder 4-stroke engine with balancer shaft
Displacement	625 ccm
Bore / Stroke	101 / 78 mm
Ratio	11,5 : 1
Fuel	unleaded premium gasoline with a least RON 95
Valve timing	4 valves over rocker arm and 1 overhead camshaft, camshaft drive through single chain
Camshaft	584-V03/1
Valve diameter	Intake: 36 mm Exhaust: 32 mm
Valve clearance cold	Intake: 0,15 mm Exhaust: 0,15 mm
Crank shaft bearing	2 cylinder roller bearing
Connecting rod bearing	needle bearing
Top end bearing	bronze bushing
Piston	forged aluminium alloy
Piston rings	1 compression ring, 1 taper face ring, 1 oil scraper ring
Engine lubrication	two Eaton-oilpumps
Engine oil	see table #
Engine oil quantity	1,6 liters (0,42 US gallons)
Primary ratio	straight geared spur wheels 31 : 79 teeth
Clutch	multi disc clutch in oil bath
Transmission	5-speed claw shifted
Gear ratio	1st 14:35 2nd 15:24 3rd 18:21 4th 20:19 5th 22:18
Ignition system	contactless DC-CDI ignition with digital advanced system type KOKUSAN
Ignition timing	adjustment to max. 38 ° BTDC at 6000 rpm
Generator	12V 200W
Spark plug	NGK DCPR8 E
Spark plug gap	0,9 mm
Cooling system	liquid cooled, permanent rotation of cooling liquid through mechanic driven water pump
Cooling liquid	1 liter, 40% antifreeze, 60% water, at least -25°C (-13°F)
Starting equipment	kick - electric starter

#



Engine oil

Use only synthetic oil brands, which meet quality requirements (Shell Advance Ultra 4) of API-classes SG or SH (informations on bottles) or higher.

! CAUTION !

POOR OIL QUALITY OR MINOR QUANTITY EFFECT EARLY ENGINE-WEAR.

BASIC CARBURATOR SETTING	
	625 SXC
Type	Keihin FCR-MX 41
Carburator-setting number	4138A
Main jet	165
Jet needle	OBDVT
Idling jet	42
Main air jet	200
Idling air jet	100
Needle position	5. rd from top
Starting jet	85
Mixture control screw open	2
Slide	15
Performance restrictor	Slide stop
Stop pump membrane	858 / 2,15 mm
Hot start device	3,8 mm

BASIC CARBURETOR SETTING	
	625 SXC USA
Type	Mikuni BST40-266
Main jet	152,5
Needle jet	X-6 689
Idling jet	45
Jet needle	6G5
Needle clip pos. f. top	3. from top
Mixt. adj. screw open	2,25

TECHNICAL SPECIFICATIONS - CHASSIS 625 SXC 2003

	625 SXC
Frame	Central chrome-moly-steel frame
Fork	White Power 4357 MXMA
Wheel travel front/rear	295 / 320 mm (11,8 / 12,8 in)
Rear suspension	Central shock absorber (WP BAVP4681) with PRO-LEVER linkage to rear- swing-arm with needle bearing
Front brake	Disc brake with carbon-steel brake disc, brake caliper floated
Front brake disc	Ø 260 mm (10,4 in)
Rear brake	Disc brake with carbon-steel brake disc Ø 220 mm (8.8 in), brake caliper floated
Tyres front	90/90-21
Air press. offroad	1,0 bar (14 psi)
Air press. road	1,8 bar (26 psi)
Tyres rear	140/80-18
Air press offroad	1,2 bar (17 psi)
Air press. road	2,0 bar (29 psi)
Fuel tank capacity	9 liter (2,3 US gallons), 2.5 liter (0,6 US gallons) reserve
Final drive ratio	16:40 (USA 15:50) t
Chain	X – Ring 5/8 x 1/4"
Bulbs	headlight H4 12V 60/55W (socket P43t) parking light 12V 5W (socket W2,1x9,5d) indicator lamps 12V 1,2W (socket W2x4,6d) brake – rear light 12V 21/5 W (socket BaY15d) flasher light 12V 10W (socket Ba15s) license plate illumination . . . 12V 5W (socket W2,1x9,5 d)
Battery	maintenance-free battery 12V 8,6 Ah
Steering angle	62,5 °
Wheel base	1510 ± 10 mm (59.4 ± 0.4 in)
Seat high	980 mm (39,2 in)
Ground clearance	360 mm (14,4 in)
Dead weight without fuel	132 kg (291 lbs)

STANDARD ADJUSTMENT - FORK

	625 SXC WP 0518X729
Compression adjuster	20
Rebound adjuster	12
Spring	4,2 N/mm
Spring preload	5 mm
Air chamber length	140 mm
Fork oil	SAE 5

STANDARD-ADJUSTMENT-SHOCK ABSORBER

	625 SXC WP 0118X725
Compression adjuster	3
Rebound adjuster	5
Spring	63 / 260
Spring preload	23 mm

TIGHTENING TORQUES - CHASSIS 625 SXC 2003		
Collar nut front axle	M16x1,5	40 Nm
Collar nut rear axle	M20x1,5	80 Nm
Shock absorber top	M10 (10.9)	45 Nm
Shock absorber bottom	M10 (10.9)	45 Nm
Collar screws brake disk front	M6 (10.9)	Loctite 243 + 10Nm
Collar screws brake disk rear	M6 (10.9)	Loctite 243 + 10Nm
Screw brake caliper front	M8	Loctite 243 + 25 Nm
Bearing bolt linkage arm/frame	M12	60 Nm
Collar nuts rocker arm bolts	M14x1,5	100 Nm
Engine mounting screw	M10	45 Nm
Ball joint for push rod	M8	Loctite 243 + 25 Nm
Sprocket screws on nuts	M8	Loctite 243 + 35 Nm
Collar nut swingarm bolt	M14x1,5	100 Nm
Clamping screws top triple clamp	M8	20 Nm
Clamping screws bottom triple clamp	M8	15 Nm
Clamping screws fork stubs	M8	10 Nm
Screws handlebar clamp	M8	20 Nm
Allan head screw handle bar support	M10	Loctite 243 + 40 Nm
Spoke nipple	M4	4 Nm
Other screws/collar nuts on chassis	M6	10 Nm/15 Nm
	M8	25 Nm/30 Nm
	M10	45 Nm/50 Nm

CONSUMER INFORMATION FOR USA ONLY

REPORTING SAFETY DEFECTS

If you believe that your vehicle has a defect which could cause a crash or could cause injury or death, you should immediately inform the National Highway Traffic Safety Administration (NHTSA) in addition to notifying KTM Sportmotorcycle USA, Inc.

If NHTSA receives similar complaints, it may open an investigation, and if it finds that a safety defect exists in a group of vehicles, it may order a recall and remedy campaign. However, NHTSA cannot become involved in individual problems between you, your dealer, or KTM Sportmotorcycle USA Inc. To contact NHTSA, you may either call the Auto Safety Hotline toll-free at 1-800-424-9393 (or 366-0123) in Washington D.C. area) or write to: NHTSA, U.S. Department of Transportation, Washington, D.C. 20590. You can also obtain other information about motor vehicle safety from the Hotline.

NOISE EMISSION WARRANTY

KTM Sportmotorcycle AG warrants that this exhaust system, at the time of sale, meets all applicable U.S. EPA Federal noise standards. This warranty extends to the first person who buys this exhaust system for purposes other than resale, and to all subsequent buyers. Warranty claims should be directed to: KTM Sportmotorcycle USA Inc. 1119 Milan avenue, Amherst, Ohio 44001, Telephone: (440) 9853553

TAMPERING WARNING:

TAMPERING WITH NOISE CONTROL SYSTEM PROHIBITED. FEDERAL LAW PROHIBITS THE FOLLOWING ACTS OR CAUSING THEREOF:

- (1)The removal or rendering inoperative by any person other than for purposes of maintenance, repair, or replacement, of any device or element of design incorporated into any new vehicle for the purpose of noise control prior to its sale or delivery to the ultimate purchaser or while it is in use, or
- (2)the use of the vehicle after such device or element of design has been removed or rendered inoperative by any person.

AMONG THOSE ACTS PRESUMED TO CONSTITUTE TAMPERING ARE THE ACTS LISTED BELOW.

- 1)Removal of, or puncturing the muffler, baffles, header pipes or any other components which conducts exhaust gases.
- 2)Removal or puncturing of any part of the intake system.
- 3)Lack of proper maintenance.
- 4)Replacing any moving part of the vehicle, or parts of the exhaust or intake system, with parts other than those specified by the manufacturer.

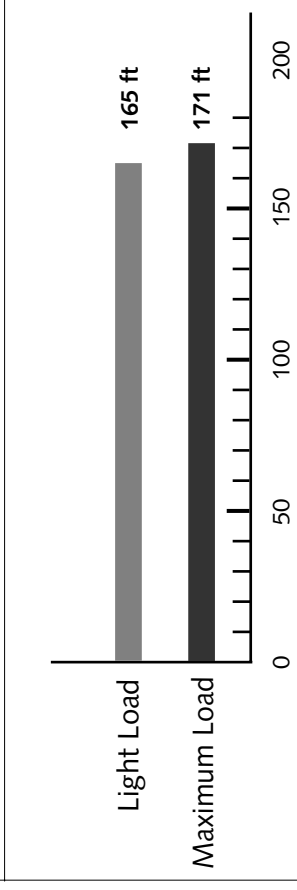
WARNING STATEMENT:

This product should be checked for repair or replacement if the motorcycle noise has increased significantly through use. Otherwise, the owner may become subject to penalties under state and local ordinances.

VEHICLE MINIMUM STOPPING DISTANCE ON DRY PAVEMENT
This figures indicate braking performance that can be met or exceeded by the vehicle to which they apply, without the wheels, under different conditions of loading. The information presented results obtainable by skilled drivers under controlled road and vehicle conditions, and the information may not be correct under other conditions.

STOPPING DISTANCE FROM 60 MPH

Model KTM 625 SXC

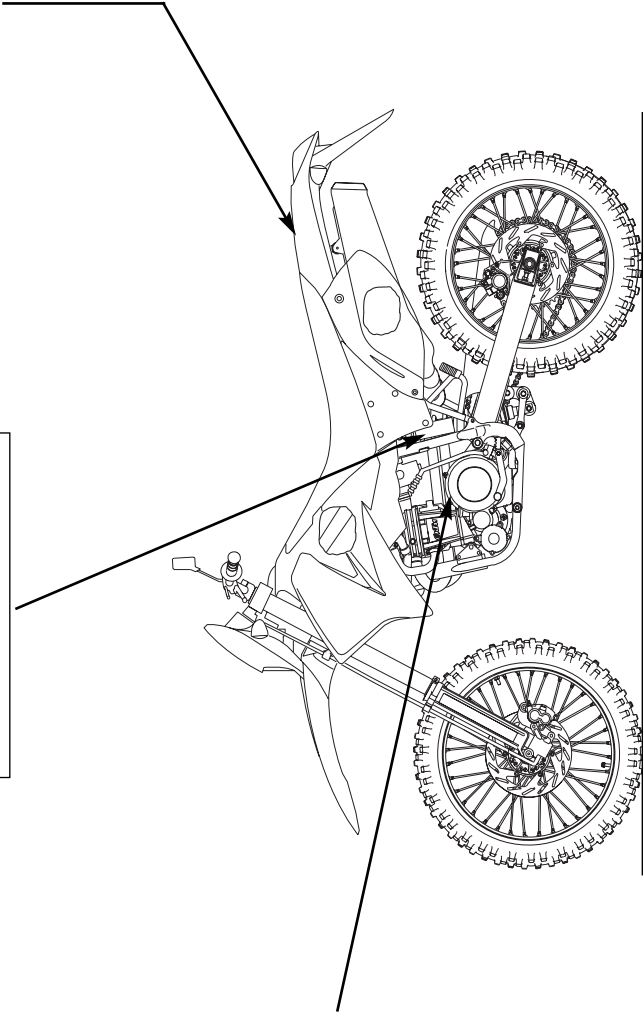


KTM 625 SXC 2003

WARNING
THIS SHOCK ABSORBER CONTAINS NITROGEN GAS UNDER HIGH PRESSURE. DO NOT ATTEMPT REFILLING OR REBUILDING THE SHOCK, SINCE THE SHOCK MAY BE DAMAGED. REFER TO THE OWNERS MANUAL

IMPORTANT
Before you go for the first ride on your motorbike read the entire User's Guide carefully!

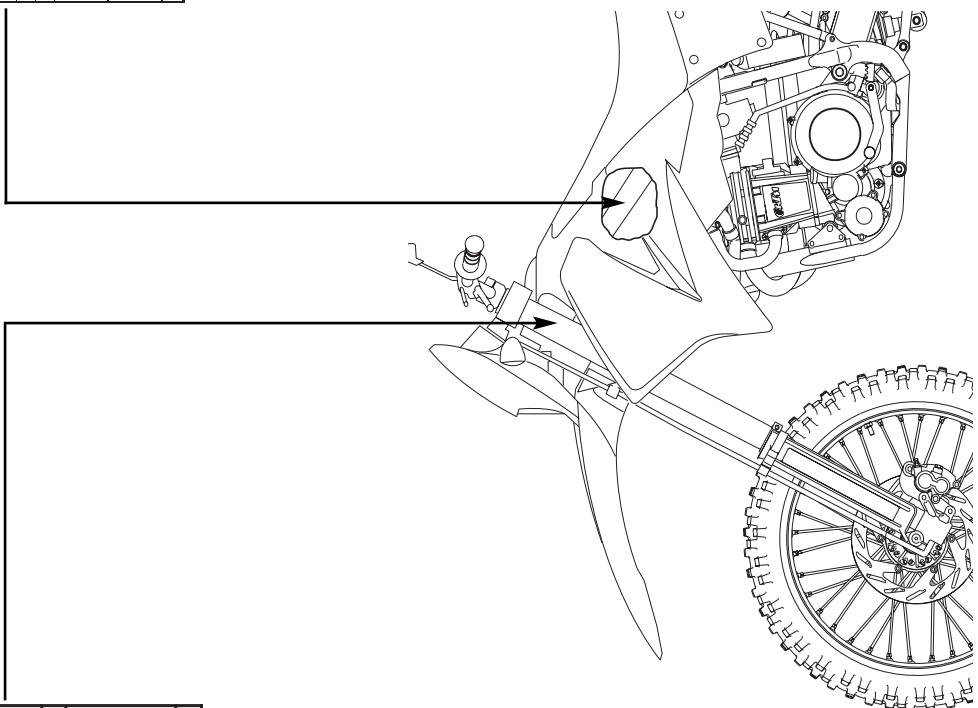
IMPORTANT
To avoid oil spill through crankcase breather, never exceed top mark at operating temperature!



KTM 625 SXC 2003

KTM SPORTSMOTORCYCLES		MFD. BY KTM SPORTMOTORCYCLE AG		DATE	02/06
GVWR		MOTORCYCLE			
GAWR FRONT	770 lbs	350 kg			
	331 lbs	150 kg	WITH 90/90-21 TIRE,	54S TT TYPE,	
	1,60-21 RIM, AT	22 psi	1.5 bar	COLD	
GAWR REAR	551 lbs	250 kg	WITH 140/80-18 TIRE,	70R TT TYPE,	
	2,50-18 RIM, AT	29 psi	2.0 bar	COLD	
THIS VEHICLE CONFORMS TO ALL APPLICABLE FEDERAL MOTOR VEHICLE SAFETY STANDARDS IN EFFECT ON THE DATE OF MANUFACTURE SHOWN ABOVE.					
MOTORCYCLE NOISE EMISSION CONTROL INFORMATION					
THIS 2003 KTM625 SXC MOTORCYCLE MEETS EPA NOISE EMISSION REQUIREMENTS OF 89 dBA AT 3750 RPM BY THE FEDERAL TEST PROCEDURE. MODIFICATION WHICH CAUSE THIS MOTORCYCLE TO EXCEED FEDERAL NOISE STANDARDS ARE PROHIBITED BY FEDERAL LAW. SEE OWNER'S MANUAL.					
625 SXC					
MADE IN AUSTRIA					

KTM SPORTSMOTORCYCLES		KTM SPORTMOTORCYCLE AG, MATTIGHOFEN, AUSTRIA		VEHICLE EMISSION CONTROL INFORMATION	
ENGINE FAMILY	3KTXE0.62RXC	EXHAUST EMISSION CONTROL SYSTEM		E.I.M.	
DISPLACEMENT	625cm ³	ENGINE TUNE-UP SPECIFICATIONS AND ADJUSTMENTS:		N.A.	
ITEM	SPEC	ITEM	SPEC		
1. IGNITION TIMING	8° BTDC(1500/RPM)	38° BTDC(6000/RPM)			
2. IDLE SPEED (RPM)	1500				
3. IDLE MIXTURE	NON-ADJUSTABLE				
4. VALVE CLEARANCE (MM) IN	0.15	EX	0.15		
5. SPARK PLUG	NGK DCPR8E	SPARK PLUG GAP (MM)		0.7	
FUEL SPECIFICATIONS	ENGINE LUBRICANT SPECIFICATIONS				
GASOLINE GRADE	UNLEADED	ENGINE OIL	1.4 LITRES		
RESEARCH OCTANE	95	TYPE	SAE 15W/40		
THIS VEHICLE CONFORMS TO U.S. EPA AND CALIFORNIA REGULATIONS APPLICABLE TO 2003 MODEL YEAR NEW MOTORCYCLES AND IS CERTIFIED TO 1.0 g/km HC EMISSION STANDARD IN CALIFORNIA.					
625 SXC					
MADE IN AUSTRIA					



HEAD WORD INDEX

Page	Page
Activating/deactivating the display modes33	Driving instructions17
Adjusting of free travel at the hand brake lever.....28	Electronic speedometer6
Adjusting the mixture control screw41	Emergency OFF button11
Adjusting the throttle cable39	Engine number, engine type5
Battery34	Engine oil43
Battery for digital speedometer32	Exchanging the brake light and tail light bulb.....36
Bleeding of the hydraulic clutch40	Exhaust system38
Breather plugs front fork23	Filler cap11
Carburetor – Adjust idling (Keihin FCR-MX41).....41	Flasher switch11
Carburetor – Adjust idling (Mikuni BST40)42	Foot brake pedal13
Chain maintenance26	Fuel tap12
Chain wear26	Fuses35
Changing and bleeding the microfilter44	General informations about KTM disc brakes27
Changing oil filter45	General Tips and warnings for starting the motorcycle.....16
Changing the basic position of the brake pedal30	Hand brake lever5
Changing the engine oil44	Hand decompression lever5
Changing the spring preloading of the shock absorber.....24	Handlebar lock13
Charging the battery34	Hot start device12
Chassis number5	How to change the handlebar position24
Check and adjust steering head bearing23	Ignition lock11
Check the front brake pads28	Indicator lamps6
Check the rear brake fluid level29	Kickstarter13
Check/set distance of the magnetic sensor33	Kilometers or miles.....32
Checking brake fluid level - front brake28	Lubricate rear suspension linkage25
Checking chain tension25	Maintenance work on chassis and engine22
Checking rubber ring on the WP rear shock absorber25	Oil circuit43
Checking spoke tension32	Operation instruments5
Checking the adjustment of the hand decompression cable 39	Overview of tripmaster functions10
Checking the coolant level37	Periodic Maintenance - schedule20
Checking the engine oil level43	Rebound damping of fork14
Checking the float level (Keihin FCR-MX41)41	Rebound damping of shock absorber14
Checking the float level (Mikuni BST40)42	Refilling the front brake fluid reservoir28
Checking the oil level of the hydraulic clutch.....40	Refilling the rear brake fluid reservoir29
Checking the rear brake pads.....30	Re-initiation after time of storage49
Choke12	Removal of seat22
Cleaning49	Replacing front brake pads29
Cleaning air filter37	Replacing headlight lamp/parking light lamp35
Cleaning the dust sleeves of the telescopic fork.....23	Replacing the rear brake pads30
Cleaning the spark arrester (USA)38	Serial number locations5
Clutch lever5	Setting the clock33
Combination switch11	Shift lever12
Compression damping of fork14	Storage49
Compression damping of shock absorber14	Technical specifications - engine50
Conservation for winter operation49	Technical specifications - chassis52
Cooling system36	Tires, air pressure32
Correct chain tension25	Tool set22
Dismounting and mounting the front wheel31	Tripmaster switch7
Dismounting and mounting the rear wheel31	Trouble shooting46
Draining the float chamber of the carburetor40	

SERVICE

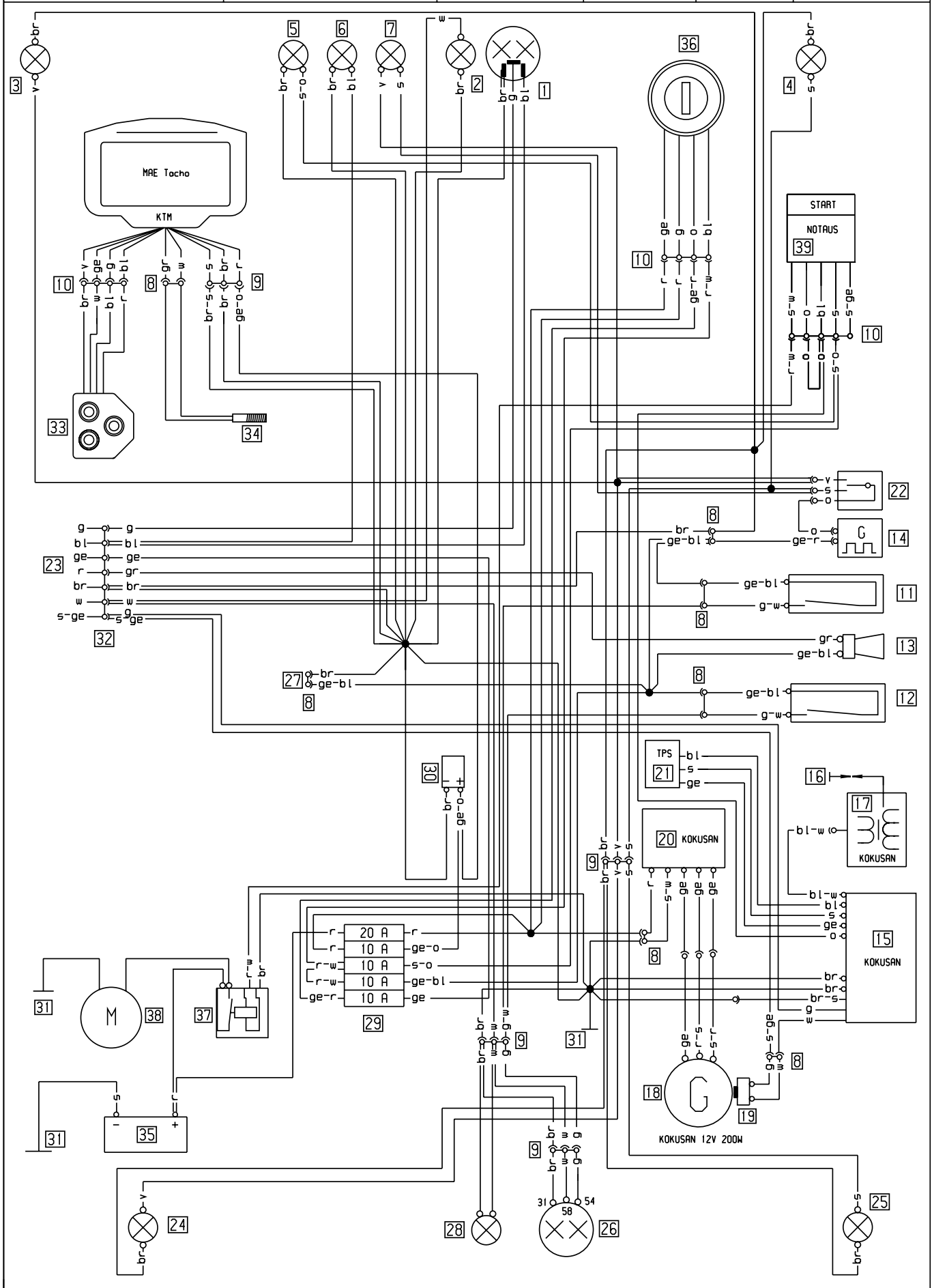
Modell
625 SXC 2003

Kabelstrangnummer:
vorne: 583.11.375.450
hinten: 584.11.075.000

Land:
DIV. LANDER

Datum, Name:
31.07.02 SS

Dateiname:
SXC 2003



KTM 625 SXC 2003

Deutsch	Englisch	Italienisch	Französisch
1 Scheinwerfer	1 headlight	1 fero	1 phare
2 Standlicht	2 parking light	2 luce di posizione	2 feu de position
3 Blinker li vo	3 turn indic. left fr.	3 lampegg. ant. sn.	3 clignoteur av gauche
4 Blinker re vo	4 turn indic. right fr.	4 lampegg. ant. dx.	4 clignoteur av. droit
5 Zündungskontrolle ON	5 ignition controll ON	5 spiedicontrollo ON	5 temion ON
6 Fernlichtkontrolle	6 high beam indicator	6 spia abbagliante	6 temoin feu route
7 Blinkerkontrolle	7 turn indicator	7 spia lampeggiatori	7 temoin de clignoteur
8 2-pol. Stecker	8 multip. cont. plug (2)	8 connettore a 2 poli	8 connect. multiple (2)
9 3-pol. Stecker	9 multip. cont. plug (3)	9 connettore a 3 poli	9 connect. multiple (3)
10 4-pol. Stecker	10 multip. cont. plug (4)	10 connettore a 4 poli	10 connect. multiple (4)
11 Bremslichtsch. vo	11 stoplight switch f.	11 int. luce arresto ant.	11 contact de stop av.
12 Bremslichtsch. hi	12 stoplight switch r.	12 int. luce arresto post.	12 contact Harr. de stop
13 Horn	13 horn	13 clacson	13 klaxon
14 Blinkgeber	14 turn indicator	14 trasmett. di lampeg.	14 centrale clignot.
15 CDI	15 CDI	15 CDI	15 CDI
16 Zündkerze	16 spark plug	16 candela	16 bougie
17 Zündspule	17 ignition coil	17 bobina d'accens.	17 bobine d'allumage
18 Generator	18 generator	18 dinamo	18 generateur
19 Impulsgeber	19 pulser coil	19 trasmettitore d imp.	19 capteur
20 Reglergleichrichter	20 regulator-rectifier	20 regol. di tens.	20 regulat redresseur
21 TPS	21 TPS	21 TPS	21 TPS
22 Blinkerschalter	22 blink switch	22 int. lampeggiatori	22 contact d clignoteur
23 zum Kombischalter	23 to combinat switch	23 multicomando	23 commodo
24 Blinker li hi	24 blinker left rear	24 lampegg. post. sn.	24 clign. arr. gauche
25 Blinker re hi	25 blinker right rear	25 lampegg. post. dx.	25 clign. arr. droite
26 Brems-Schlußlicht	26 rear-stoplight	26 fanal. post. di freno	26 feu arr. et de stop
27 Lüfteranschluss	27 fan connection	27 connett ventilatore	27 connect ventilateur
28 Kennzeichenbel.	28 licence pl. lighting	28 iluminat detarga	28 ecl plaque d immat
29 Sicherungskasten	29 fusebox	29 scatola fusibili	29 boite a fusibles
30 Kondensator	30 capacitor	30 condensatore	30 condensateur
31 Masseanschluß	31 ground connection	31 collegam. di masse	31 masse
32 6-pol. Stecker	32 multip. cont. plug (6)	32 connettore a 6 poli	32 connect. multiple (6)
33 Tripmasterschalter	33 tripmaster switch	33 interruttore tripm.	33 bouton tripmaster
34 Sensorkabel	34 Sensorcable	34 cavo sensor	34 capteur cable
35 Batterie 12V	35 batterie 12V	35 batteria 12V	35 batterie 12V
36 Zündschloß	36 ignition switch	36 interruttore accesion	36 contact d allum
37 Startrelaise	37 starter relay	37 rele d avviamento	37 relaise de demarreur
38 Startermotor	38 starter engine	38 mot d avviamento ele	38 demarreur electrique
39 Start-Not-Aus	39 run-off/start switch	39 disinseritor/partire	39 bout de demar/arr d urg

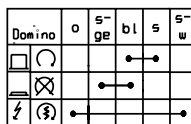
Deutsch	Englisch	Italienisch	Französisch	Spanisch
bl blau	bl blue	bl blu	bl bleu	bl azul
br braun	br brown	br marrone	br brun	br marron
ge gelb	ge yellow	ge giallo	ge jaune	ge amarillo
gr grau	gr grey	gr grigio	gr gris	gr gris
g grün	g green	g verde	g vert	g verde
o orange	o orange	o arancione	o orange	o naranja
r rot	r red	r rosso	r rouge	r rojo
s schwarz	s black	s nero	s noir	s negro
v violett	v violet	v violetto	v violet	v violeta
w weiß	w white	w bianco	w blanc	w blanco

Spanisch
1 fero
2 luz de posicion
3 interm. izquierdo delantero
4 intermitente derecho delantero
5 luces de aviso ON
6 lampara aviso luces largas
7 lampara aviso intermitentes
8 conector multiple (2)
9 conector multiple (3)
10 conector multiple (4)
11 interr. luz de freno del.
12 interr. luz. de fren tras.
13 claxon
14 conjunto del intermitente
15 CDI
16 bujia
17 bobina de encendido
18 generador
19 generador de impulsos
20 regulador de tension
21 TPS
22 interruptor clignoteur
23 interruptor combinado
24 intermitente izquierdo trasero
25 intermitente derecho trasero
26 luz de freno trasero
27 conector ventilador
28 luz lpaca de matricula
29 caja de fusibles
30 condensador
31 conector a massa
32 conector multiple (6)
33 interruptor tripmaster
34 sensor cable
35 batteria 12V
36 llave de contacto
37 rele de arranque
38 motor de arranque
39 boton de arranque per de urg

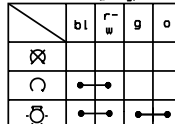
Sicherungskosten

20 A	res.
10 A	
20 A	Hauptsicherung
10 A	Kondensator, Tacho
10 A	Startsystem
10 A	Blinker, Hupe, Bremslicht
10 A	Licht

Start-Notaus-Schalter



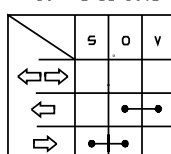
Zündschloß (Typ Zodi)



Kontaktbelegung -
Lichtschalter (Typ CEV 9610)

	g	bl	ge	w	ge/s	r	br
Lights	•						
L0 beam	•	•	•				
Hi beam		•	•				
Horn						•	•
Engine off					•	•	
	5	2	1	3	6	4	

Blinkerschalter





KTM SPORTMOTORCYCLE AG
5230 Mattighofen
Austria
Internet: www.ktm.at



321053