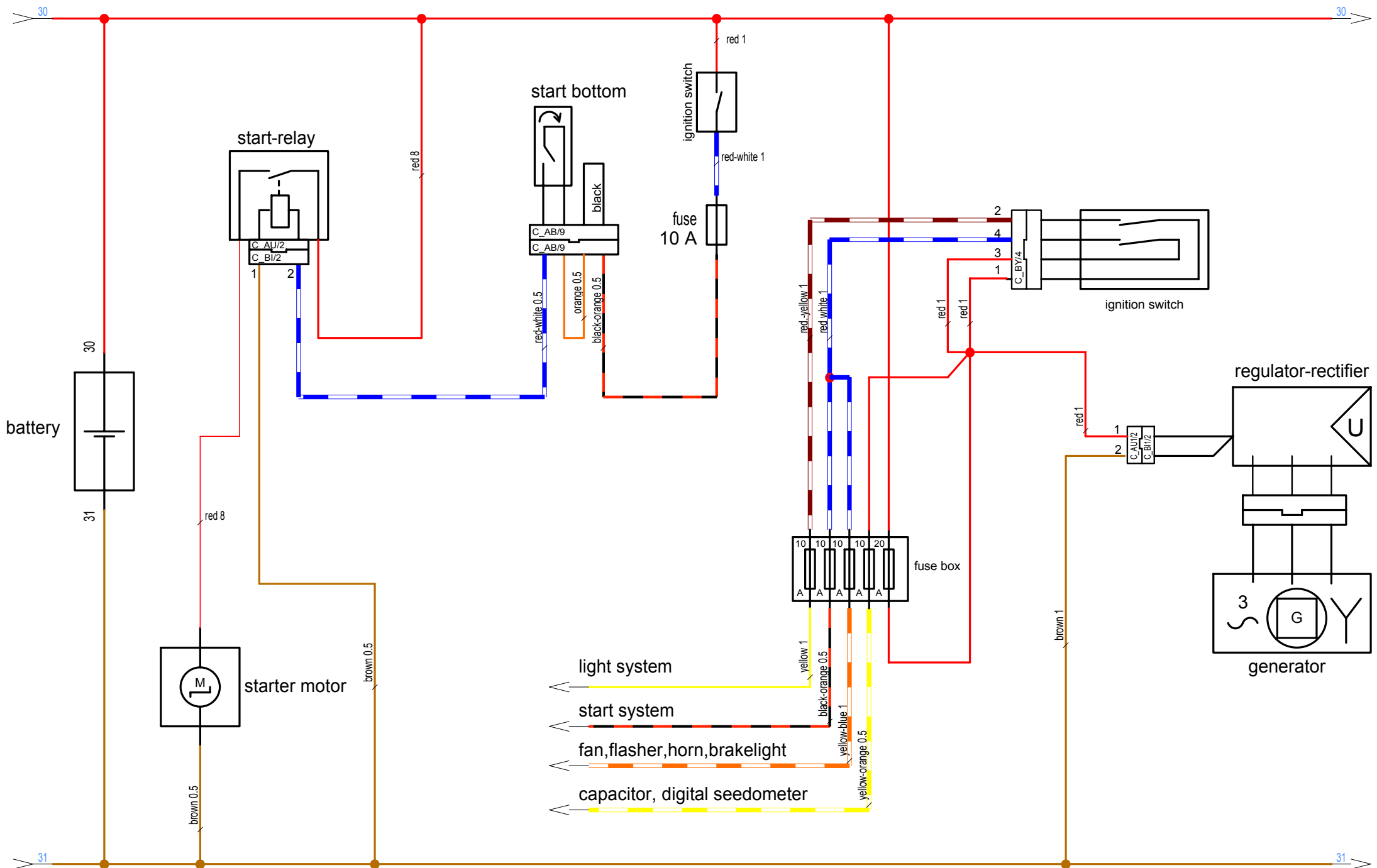


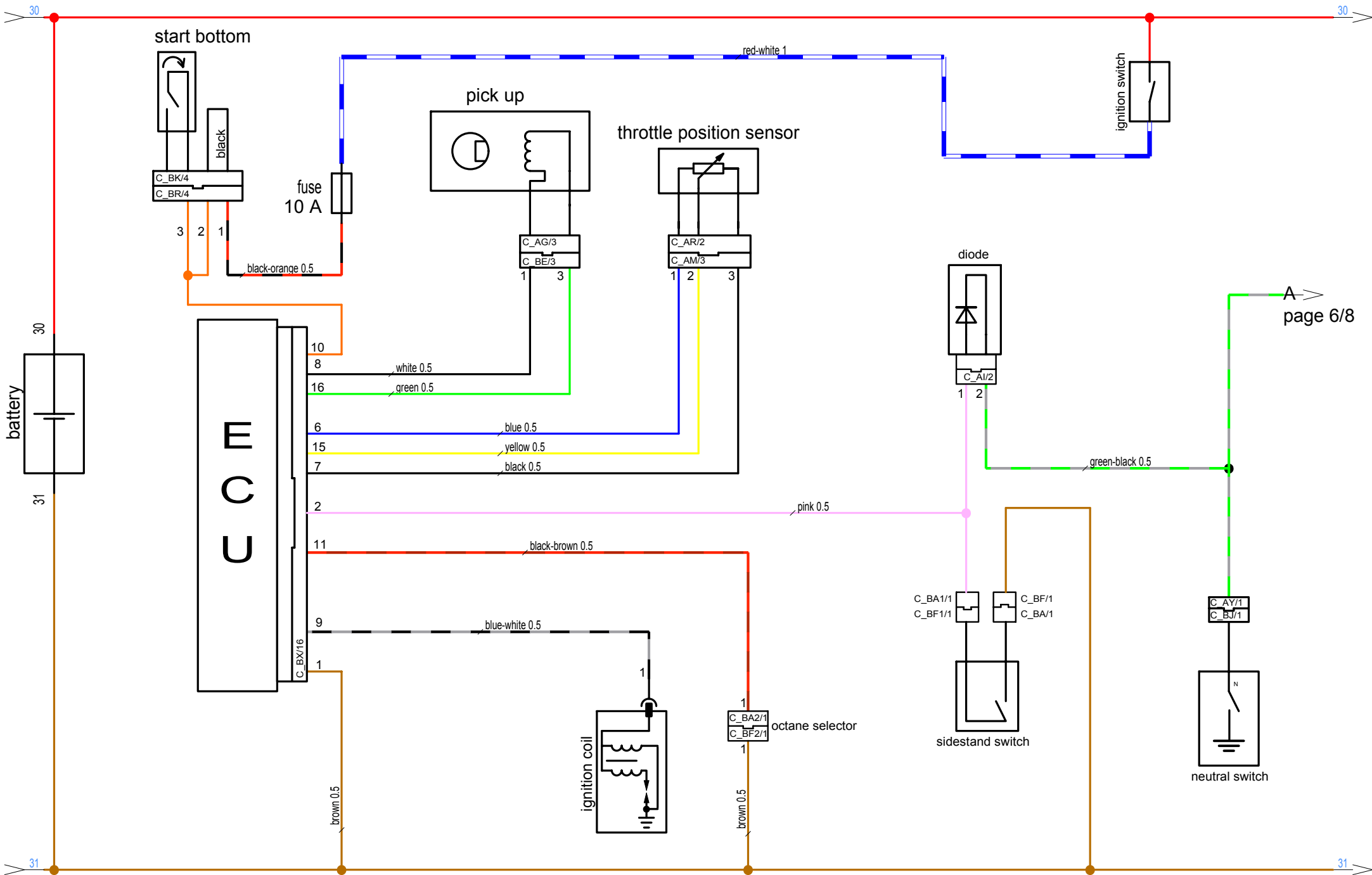
625 SXC 2005

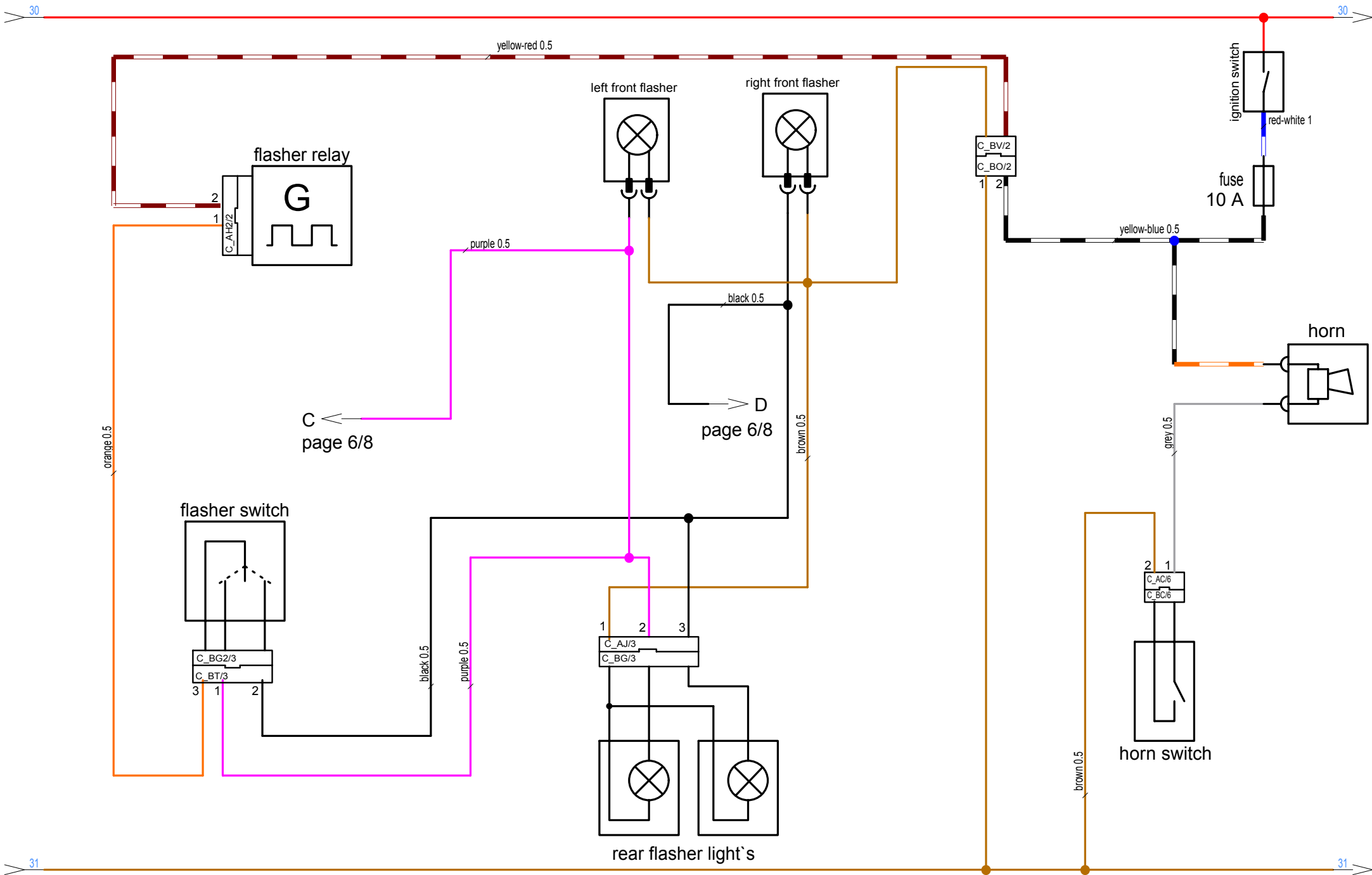
wiring diagram

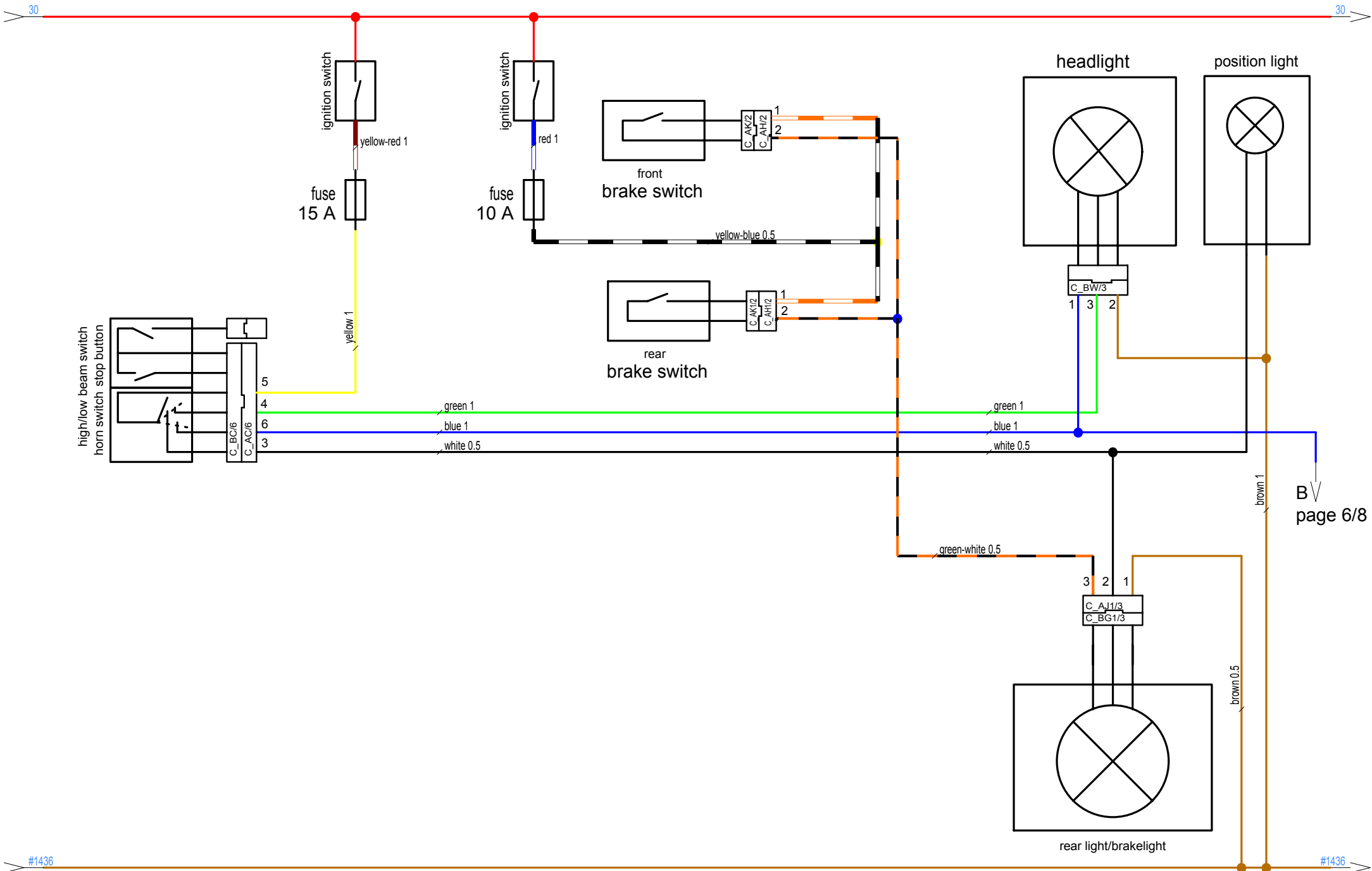
main harness - 583.11.375.750

1/8



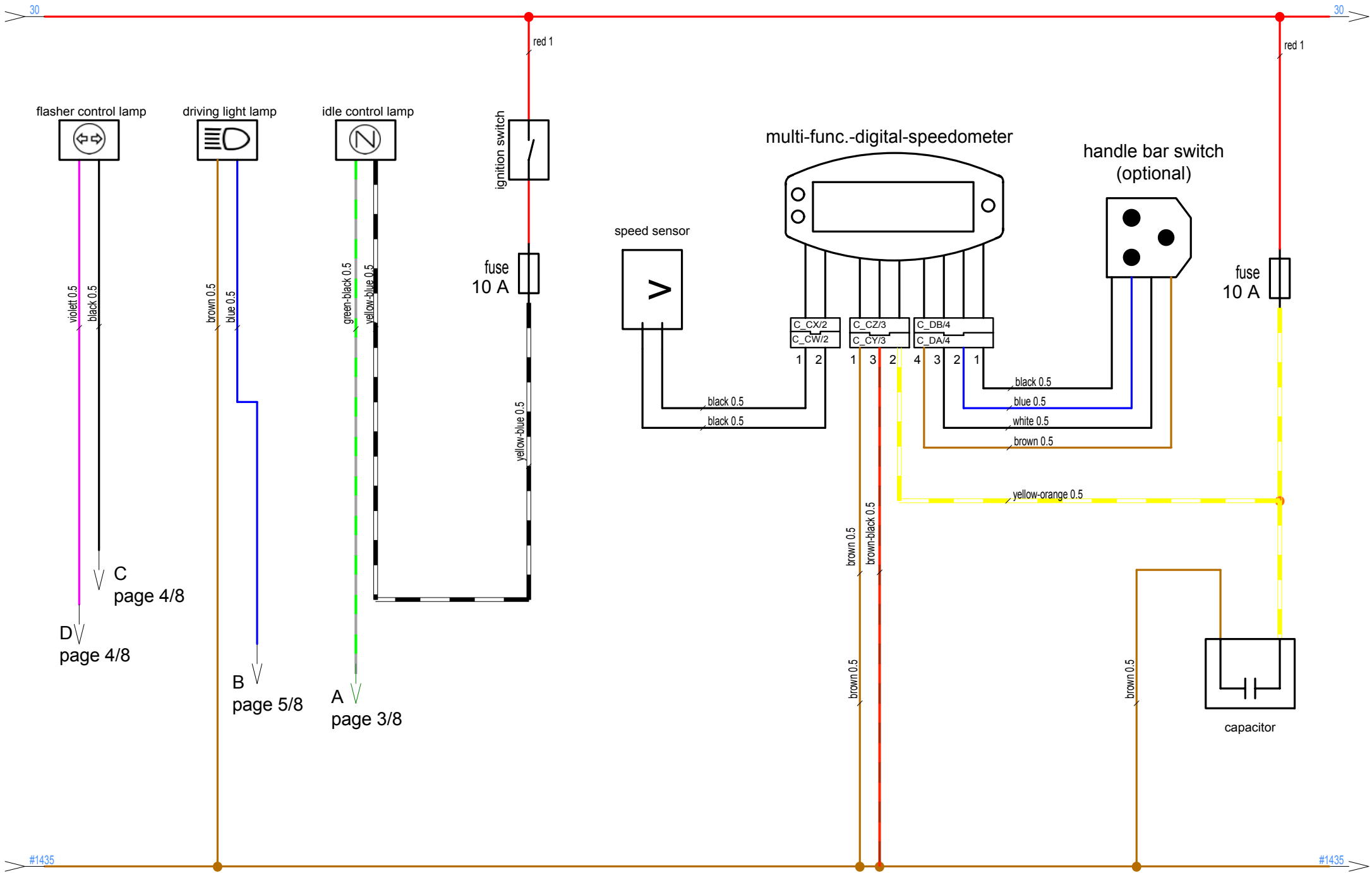










B
page 6/8


















ignition switch

cable switch	gn	or	bu	re-wh
cable harness	re	ye-re	re	re-wh
ON 				
light 				
OFF				



light switch high/low beam switch

cable color	bu	ye	gn	wh
LIGHT OFF				
P.LIGHT- 				
LO 				
HI 				
P.LIGHT- 				



start switch

cable harness	or	bl-or
cable switch	bl-bu	bl
START 		
unpushed		





horn switch

cable color	re	br
HORN 		
OFF		

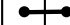

kill switch

cable color	ye-bl	br
pushed 		
unpushed		



flasher switch

cable harness	or	pu	bl
TURN L 			
TURN R 			
OFF			

brake switch

cable harness	gn-wh	ye-bu
cable switch	bl	bl
pushed 		
unpushed		

sidestand switch

cable harness	br	pi
cable switch	bl	bl
folded up 		
folded down		

