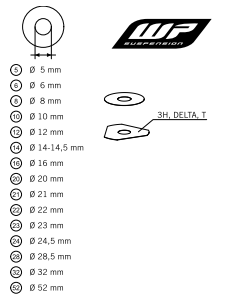
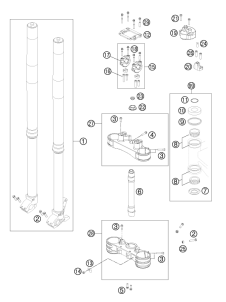
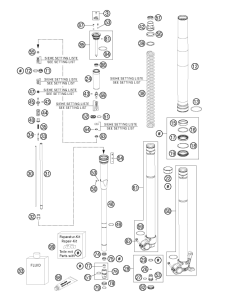
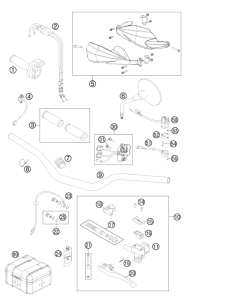
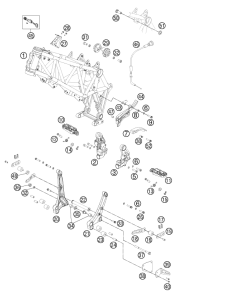
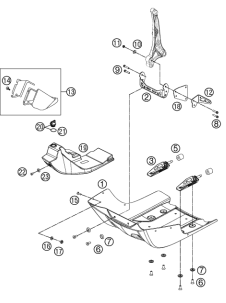
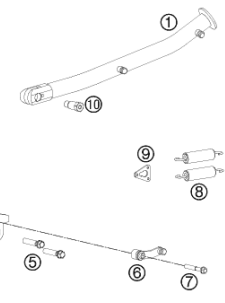
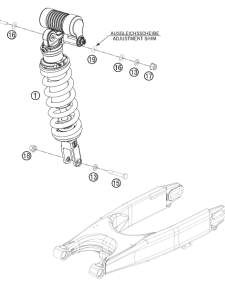
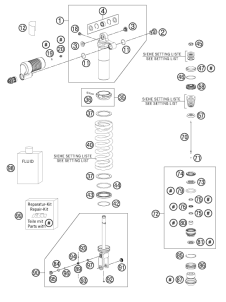
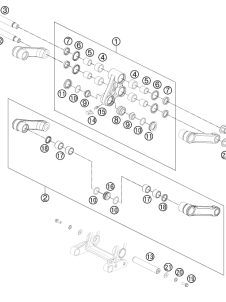
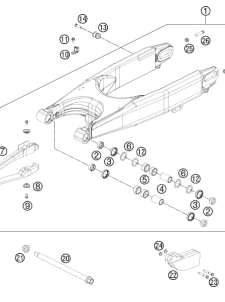
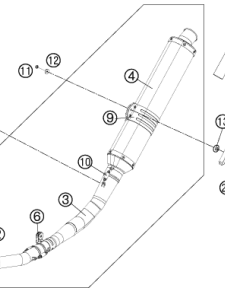
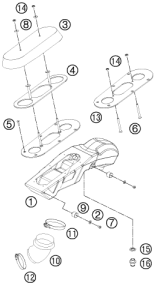
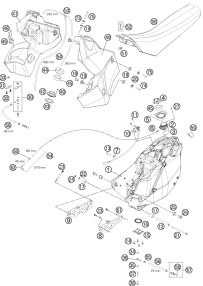
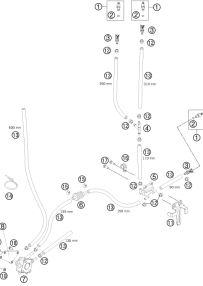
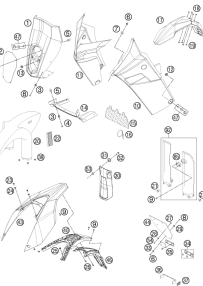
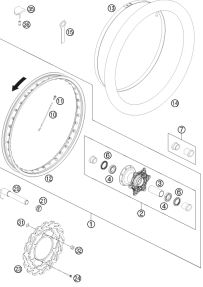
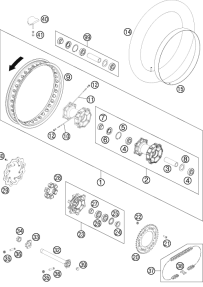
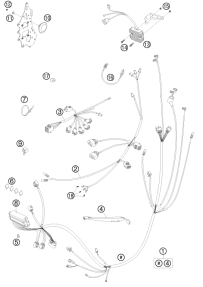
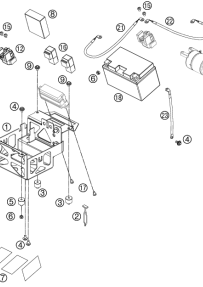
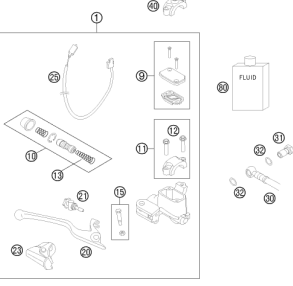
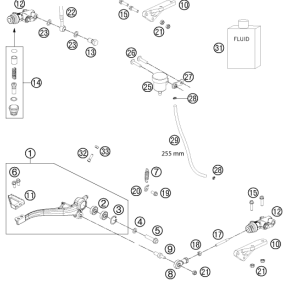
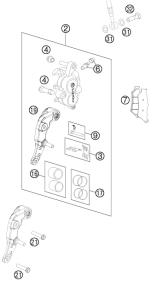
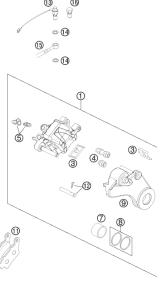


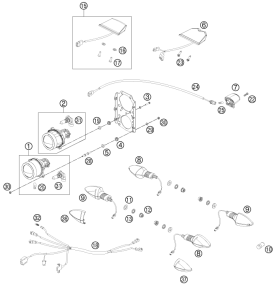
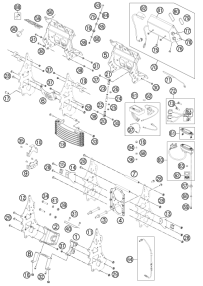
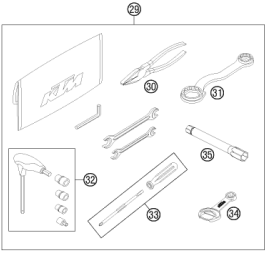
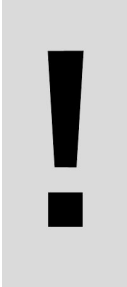
450 RALLY FACTORY REPLICA 2012

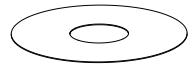
ART.-NR.: 3CF 9399L8EN



<p>WP SHIMS FOR SETTING</p>  <p> Ⓞ 5 mm Ⓞ 6 mm Ⓞ 8 mm Ⓞ 10 mm Ⓞ 12 mm Ⓞ 14-14,5 mm Ⓞ 16 mm Ⓞ 20 mm Ⓞ 21 mm Ⓞ 22 mm Ⓞ 23 mm Ⓞ 24,5 mm Ⓞ 28,5 mm Ⓞ 32 mm Ⓞ 52 mm </p> <p style="text-align: right;">4</p>	<p>FRONT FORK, TRIPLE CLAMP</p>  <p style="text-align: right;">11</p>	<p>FRONT FORK DISASSEMBLED</p>  <p style="text-align: right;">12</p>	<p>HANDLEBAR, CONTROLS</p>  <p style="text-align: right;">14</p>
<p>FRAME</p>  <p style="text-align: right;">15</p>	<p>ENGINE GUARD</p>  <p style="text-align: right;">17</p>	<p>SIDE / CENTER STAND</p>  <p style="text-align: right;">18</p>	<p>SHOCK ABSORBER</p>  <p style="text-align: right;">19</p>
<p>SHOCK ABSORBER DISASSEMBLED</p>  <p style="text-align: right;">20</p>	<p>PRO LEVER LINKING</p>  <p style="text-align: right;">22</p>	<p>SWING ARM</p>  <p style="text-align: right;">23</p>	<p>EXHAUST SYSTEM</p>  <p style="text-align: right;">24</p>

<p>AIR FILTER</p>  <p>25</p>	<p>TANK, SEAT</p>  <p>26</p>	<p>FUEL PUMP</p>  <p>28</p>	<p>MASK, FENDERS</p>  <p>29</p>
<p>FRONT WHEEL</p>  <p>31</p>	<p>REAR WHEEL</p>  <p>32</p>	<p>WIRING HARNESS</p>  <p>34</p>	<p>BATTERY</p>  <p>35</p>
<p>HAND BRAKE CYLINDER</p>  <p>36</p>	<p>REAR BRAKE CONTROL</p>  <p>37</p>	<p>BRAKE CALIPER FRONT</p>  <p>38</p>	<p>BRAKE CALIPER REAR</p>  <p>39</p>

<p>LIGHTING SYSTEM</p>  <p style="text-align: right;">40</p>	<p>INSTRUMENTS / LOCK SYSTEM</p>  <p style="text-align: right;">41</p>	<p>ACCESSORIES KIT</p>  <p style="text-align: right;">43</p>	
	<div style="display: flex; align-items: center;">  <p> All information contained is without obligation. KTM-Sportmotorcycle AG particularly reserves the right to modify any equipment, technical specifications, prices, colors, shapes, materials, services, service work, constructions, equipment and the like so as to adapt them to local conditions or to cancel any of the above items, all without previous announcement and without giving reasons. KTM may stop manufacturing certain models without previous notice. KTM shall not be held liable for any deviations of availability and/or ability to deliver, illustrations, descriptions, printing and/or other errors. The illustrated models partly contain extra equipment, which is not applied to standard models. © by KTM-SPORTMOTORCYCLE AG, Mattighofen AUSTRIA; All rights reserved; Reprint, also in extracts, with written allowance of KTMSPORTMOTORCYCLE AG, Mattighofen only. </p> </div>		



3H, DELTA, T

- ⑤ Ø 5 mm
- ⑥ Ø 6 mm
- ⑧ Ø 8 mm
- ⑩ Ø 10 mm
- ⑫ Ø 12 mm
- ⑭ Ø 14-14,5 mm
- ⑯ Ø 16 mm
- ⑳ Ø 20 mm
- ㉑ Ø 21 mm
- ㉒ Ø 22 mm
- ㉓ Ø 23 mm
- ㉔ Ø 24,5 mm
- ㉘ Ø 28,5 mm
- ㉚ Ø 32 mm
- ㉜ Ø 52 mm

POS	PARTNUMBER	PARTNAME	PIECE
5	44906890	WASHER 5X15X2	X
6	40540400	SHIM 6X12X0,1	X
6	40540401	SHIM 6X14X0,1	X
6	40540402	SHIM 6X16X0,1	X
6	40540403	SHIM 6X18X0,1	X
6	40540404	SHIM 6X12X0,15	X
6	40540405	SHIM 6X14X0,15	X
6	40540406	SHIM 6X16X0,15	X
6	40540407	SHIM 6X18X0,15	X
6	40540408	SHIM 6X12X0,2	X
6	40540409	SHIM 6X14X0,2	X
6	40540410	SHIM 6X16X0,2	X
6	40540411	SHIM 6X18X0,2	X
6	48600095	* SHIM 6X20X0,20	X
6	40540412	SHIM 6X12X0,25	X
6	40540413	SHIM 6X14X0,25	X
6	40540414	SHIM 6X16X0,25	X
6	40540415	SHIM 6X18X0,25	X
6	40540417	SHIM 6X8,5X0,10	X
6	40540418	SHIM 6X9X0,10	X
6	40540419	SHIM 6X9,5X0,10	X
6	40540423	SHIM 6X9,5X0,15	X
6	40540425	SHIM 6X8,5X0,20	X
6	40540426	SHIM 6X9X0,20	X
6	40540427	SHIM 6X9,5X0,20	X
6	40540447	SHIM 6X10X0,3	X
6	40540449	SHIM 6X9X0,3	X
6	40540450	SHIM 6X9,5X0,3	X
6	40540494	SHIM 6X18X0,4	X
6	40540774	SHIM 6X18X0,1 DELTA	X
6	40541383	SHIM 6X11X0,1	X
6	40541391	SHIM 6X11X0,3	X
6	40541402	SHIM 6X11X0,2	X
6	40541403	SHIM 6X10X0,20	X
6	40541404	SHIM 6X10X0,1	X
6	40541405	SHIM 6X10X0,15	X
6	40541406	SHIM 6X11X0,15	X
6	40541408	SHIM 6X8,0X0,30	X

080000190

C070000190

* NEW PART

X ON DEMAND



- ⑤ Ø 5 mm
- ⑥ Ø 6 mm
- ⑧ Ø 8 mm
- ⑩ Ø 10 mm
- ⑫ Ø 12 mm
- ⑭ Ø 14-14,5 mm
- ⑯ Ø 16 mm
- ⑳ Ø 20 mm
- ㉑ Ø 21 mm
- ㉒ Ø 22 mm
- ㉓ Ø 23 mm
- ㉔ Ø 24,5 mm
- ㉘ Ø 28,5 mm
- ㉚ Ø 32 mm
- ㉜ Ø 52 mm



POS	PARTNUMBER	PARTNAME	PIECE
6	40541414	SHIM 6X8,0X0,10	X
6	40541416	SHIM 6X8X0,3	X
6	40541417	SHIM 6X11X0,25	X
6	48600102	* SHIM 6X24X0,25	X
6	48600063	SHIM 6X24X0,1	X
6	48600064	SHIM 6X22X0,1	X
6	48600065	SHIM 6X20X0,1	X
6	48600069	SHIM 6X20X0,15	X
6	48600100	SHIM 6X24X0,15	X
6	48600116	SHIM 6X24X0,1 DELTA	X
6	48600139	SHIM 6X22X0,1 DELTA	X
6	48600217	BACKPLATE 6X10X0,25	X
6	48600325	SHIM 6X13X0,1	X
6	48600327	SHIM 6X15X0,1	X
6	48600329	SHIM 6X17X0,1	X
6	48600331	SHIM 6X19X0,1	X
6	48600096	* SHIM 6X20X0,25	X
6	48600097	SHIM 6X22X0,15	X
6	48600099	* SHIM 6X22X0,25	X
6	40540448	BACKPLATE 6X8,5X0,30	X
6	48600479	SHIM 6X20X0,1 T/3H	X
6	48600332	SHIM 6X21X0,1	X
6	48600333	SHIM 6X23X0,1	X
6	40541393	* SHIM 6X12X0,3	X
8	40540477	SHIM 8X18X0,4	X
8	43570120	SHIM 8X18X0,10	X
8	44916098	WASHER 8,4X16X0,8	X
8	44916130	WASHER 8,2X15X1	X
8	44916180	WASHER 8,2X11X1	X
8	48600214	SHIM 8X16X0,1	X
8	48600346	SHIM 8X11X0,2	X
8	48600215	CHECK VALVE 8X20X0,1	X
8	48600061	CHECK VALVE 8X24X0,4	X
8	48600062	CHECK VALVE 8X24X0,1	X
8	48600216	CHECK VALVE 8X22X0,1	X
8	48600480	SHIM 8X10X0,20	X
8	48600555	SHIM 8X16X0,20	X
8	48600213	SHIM 8X14X0,10	X

080000190

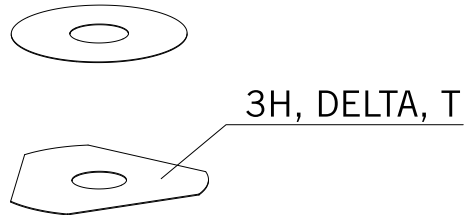
C070000190

* NEW PART

X ON DEMAND



- ⑤ Ø 5 mm
- ⑥ Ø 6 mm
- ⑧ Ø 8 mm
- ⑩ Ø 10 mm
- ⑫ Ø 12 mm
- ⑭ Ø 14-14,5 mm
- ⑯ Ø 16 mm
- ⑰ Ø 20 mm
- ⑱ Ø 21 mm
- ⑳ Ø 22 mm
- ㉑ Ø 23 mm
- ㉒ Ø 24,5 mm
- ㉔ Ø 28,5 mm
- ㉖ Ø 32 mm
- ㉘ Ø 52 mm



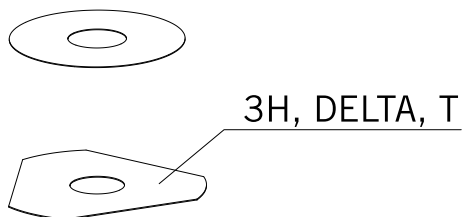
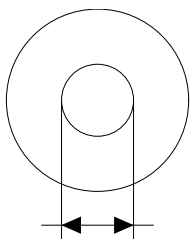
POS	PARTNUMBER	PARTNAME	PIECE
8	48600357	CHECK VALVE 8X11X0,1	X
8	48600351	CHECK VALVE 8X12X0,1	X
8	48600607	SHUTTLE VALVE 8X20X0,4	X
10	36120284	SHIM 10X16X0,10	X
10	36120298	SHIM 10X16X0,2	X
10	36120312	SHIM 10X16X0,30	X
10	36120314	SHIM 10X18X0,30	X
10	36120325	SHIM 10X19X0,15	X
10	36120327	SHIM 10X23X0,15	X
10	36120328	SHIM 10X25X0,15	X
10	36120329	SHIM 10X27X0,15	X
10	36120330	SHIM 10X29X0,15	X
10	36120331	SHIM 10X31X0,15	X
10	36120332	SHIM 10X33X0,15	X
10	36120334	SHIM 10X21X0,20	X
10	36120335	SHIM 10X23X0,20	X
10	36120336	SHIM 10X25X0,20	X
10	36120337	SHIM 10X27X0,20	X
10	36120338	SHIM 10X29X0,20	X
10	36120339	SHIM 10X31X0,20	X
10	36120340	SHIM 10X33X0,20	X
10	36120342	SHIM 10X21X0,25	X
10	36120343	SHIM 10X23X0,25	X
10	36120344	SHIM 10X25X0,25	X
10	36120345	SHIM 10X27X0,25	X
10	36120349	SHIM 10X19X0,30	X
10	36120350	SHIM 10X21X0,30	X
10	40140275	WASHER 10X35X0,15	X
10	36120346	* SHIM 10X29X0,25	X
10	50180010	* SHIM 16X24X0,10	X
10	36120604	SHIM D10XD22X2,5	X
12	46810490	SHIM 12X24X0,20	X
12	46810491	SHIM 12X26X0,20	X
12	46810492	SHIM 12X28X0,20	X
12	46810493	SHIM 12X30X0,20	X
12	46810494	SHIM 12X32X0,20	X
12	46810495	SHIM 12X34X0,20	X
12	46810496	SHIM 12X36X0,20	X

080000190

C070000190

* NEW PART

X ON DEMAND



- ⑤ Ø 5 mm
- ⑥ Ø 6 mm
- ⑧ Ø 8 mm
- ⑩ Ø 10 mm
- ⑫ Ø 12 mm
- ⑭ Ø 14-14,5 mm
- ⑯ Ø 16 mm
- ⑳ Ø 20 mm
- ㉑ Ø 21 mm
- ㉒ Ø 22 mm
- ㉓ Ø 23 mm
- ㉔ Ø 24,5 mm
- ㉘ Ø 28,5 mm
- ㉚ Ø 32 mm
- ㉜ Ø 52 mm

POS	PARTNUMBER	PARTNAME	PIECE
12	46810497	SHIM 12X38X0,20	X
12	46810498	SHIM 12X40X0,20	X
12	46810499	SHIM 12X24X0,25	X
12	46810500	SHIM 12X26X0,25	X
12	46810501	SHIM 12X28X0,25	X
12	46810502	SHIM 12X30X0,25	X
12	46810504	SHIM 12X34X0,25	X
12	46810505	SHIM 12X36X0,25	X
12	46810507	SHIM 12X40X0,25	X
12	46810508	SHIM 12X24X0,30	X
12	46810509	SHIM 12X26X0,30	X
12	46810510	SHIM 12X28X0,30	X
12	46810512	SHIM 12X32X0,30	X
12	46810513	SHIM 12X34X0,30	X
12	46810518	SHIM 12X26X0,15	X
12	46810519	SHIM 12X28X0,15	X
12	46810520	SHIM 12X30X0,15	X
12	46810521	SHIM 12X32X0,15	X
12	46810522	SHIM 12X34X0,15	X
12	46810523	SHIM 12X36X0,15	X
12	46810524	SHIM 12X38X0,15	X
12	46810525	SHIM 12X40X0,15	X
12	46810604	SHIM 12X20X0,10	X
12	46810606	SHIM 12X22X0,10	X
12	46810607	SHIM 12X23X0,10	X
12	46810608	SHIM 12X24X0,10	X
12	46810610	SHIM 12X27X0,15	X
12	46810611	SHIM 12X18X0,15	X
12	46810612	SHIM 12X19X0,15	X
12	46810615	SHIM 12X22X0,15	X
12	46810636	BACKPLATE 12X16X0,30	X
12	46810637	BACKPLATE 12X17X0,30	X
12	46810638	BACKPLATE 12X18X0,30	X
12	46810639	SHIM 12X19X0,30	X
12	46810641	BACKPLATE 12X21X0,30	X
12	46811582	BACKPLATE 12X30X0,10	X
12	46810631	SHIM 12X20X0,25	X
12	46810633	SHIM 12X22X0,25	X

080000190

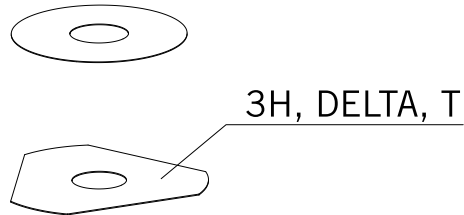
C070000190

* NEW PART

X ON DEMAND



- ⑤ Ø 5 mm
- ⑥ Ø 6 mm
- ⑧ Ø 8 mm
- ⑩ Ø 10 mm
- ⑫ Ø 12 mm
- ⑭ Ø 14-14,5 mm
- ⑯ Ø 16 mm
- ⑳ Ø 20 mm
- ㉑ Ø 21 mm
- ㉒ Ø 22 mm
- ㉓ Ø 23 mm
- ㉔ Ø 24,5 mm
- ㉘ Ø 28,5 mm
- ㉚ Ø 32 mm
- ㉜ Ø 52 mm



POS	PARTNUMBER	PARTNAME	PIECE
12	46810624	* SHIM 12X22X0,20	X
12	46811580	SHIM 12X32X0,10	X
12	46810503	SHIM 12X32X0,25	X
12	46810517	* SHIM 12X24X0,15	X
12	46810640	SHIM 12X20X0,30	X
14	46811046	SHIM 14,5X35,4X1,25	X
16	50180006	BACKPLATE 16X20X0,10	X
16	50180007	SHIM 16X21X0,10	X
16	50180028	SHIM 16X21X0,25	X
16	50180210	WASHER 16X21X1	X
16	50180008	SHIM 16X22X0,10	X
16	50180022	SHIM 16X22X0,20	X
16	50180037	SHIM 16X23X0,30	X
16	50180038	SHIM 16X24X0,30	X
16	50180032	SHIM 15X25X0,25	X
16	50180039	SHIM 16X25X0,30	X
16	50180012	SHIM 16X26X0,10	X
16	50180019	SHIM 16X26X0,15	X
16	50180026	SHIM 16X26X0,20	X
16	50180040	SHIM 16X26X0,30	X
16	50180041	SHIM 16X28X0,10	X
16	50180045	SHIM 16X28X0,15	X
16	50180054	SHIM 16X28X0,20	X
16	50180063	SHIM 16X28X0,25	X
16	50180072	SHIM 16X28X0,30	X
16	50180046	SHIM 16X30X0,15	X
16	50180055	SHIM 16X30X0,20	X
16	50180064	SHIM 16X30X0,25	X
16	50180073	SHIM 16X30X0,30	X
16	50180047	SHIM 16X32X0,15	X
16	50180056	SHIM 16X32X0,20	X
16	50180065	SHIM 16X32X0,25	X
16	50180074	SHIM 16X32X0,30	X
16	50180044	SHIM 16X34X0,10	X
16	50180048	SHIM 16X34X0,15	X
16	50180057	SHIM 16X34X0,20	X
16	50180066	SHIM 16X34X0,25	X
16	50180075	SHIM 16X34X0,30	X

080000190

C070000190

* NEW PART

X ON DEMAND



3H, DELTA, T

- ⑤ Ø 5 mm
- ⑥ Ø 6 mm
- ⑧ Ø 8 mm
- ⑩ Ø 10 mm
- ⑫ Ø 12 mm
- ⑭ Ø 14-14,5 mm
- ⑯ Ø 16 mm
- ⑳ Ø 20 mm
- ㉑ Ø 21 mm
- ㉒ Ø 22 mm
- ㉓ Ø 23 mm
- ㉔ Ø 24,5 mm
- ㉘ Ø 28,5 mm
- ㉚ Ø 32 mm
- ㉜ Ø 52 mm

POS	PARTNUMBER	PARTNAME	PIECE
16	50180049	SHIM 16X36X0,15	X
16	50180058	SHIM 16X36X0,20	X
16	50180067	SHIM 16X36X0,25	X
16	50180076	SHIM 16X36X0,30	X
16	50180050	SHIM 16X38X0,15	X
16	50180059	SHIM 16X38X0,20	X
16	50180068	SHIM 16X38X0,25	X
16	50180077	SHIM 16X38X0,30	X
16	50180051	SHIM 16X40X0,15	X
16	50180060	SHIM 16X40X0,20	X
16	50180069	SHIM 16X40X0,25	X
16	50180078	SHIM 16X40X0,30	X
16	50180052	SHIM 16X42X0,15	X
16	50180061	SHIM 16X42X0,20	X
16	50180070	SHIM 16X42X0,25	X
16	50180079	SHIM 16X42X0,30	X
16	50180053	SHIM 16X44X0,15	X
16	50180062	SHIM 16X44X0,20	X
16	50180071	SHIM 16X44X0,25	X
16	50180080	SHIM 16X44X0,30	X
16	50180177	WASHER 16X8,2X0,6	X
16	50180033	SHIM 16X26X0,25	X
16	50180034	BACKPLATE 16X20X0,30	X
16	50180035	BACKPLATE 16X21X0,30	X
16	50180036	BACKPLATE 16X22X0,30	X
16	50180043	SHIM	X
16	50180024	* SHIM 16X24X0,20	X
16	50180027	* SHIM 16X20X0,25	X
16	50180031	SHIM	X
20	48600212	PRESSURE-RING 20X16,25X0,20	X
20	50180666	SHIM 20X24X0,30	X
20	50180654	SHIM 20X36X0,20	X
20	50180655	SHIM 20X38X0,20	X
20	50180656	SHIM 20X40X0,20	X
20	50180665	SHIM 20X40X0,25	X
20	50180662	SHIM 20X34X0,25	X
20	50180657	SHIM 20X24X0,25	X
20	50180653	SHIM 20X34X0,20	X

080000190

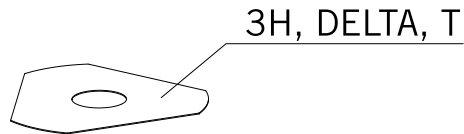
C070000190

* NEW PART

X ON DEMAND



- ⑤ Ø 5 mm
- ⑥ Ø 6 mm
- ⑧ Ø 8 mm
- ⑩ Ø 10 mm
- ⑫ Ø 12 mm
- ⑭ Ø 14-14,5 mm
- ⑯ Ø 16 mm
- ⑳ Ø 20 mm
- ㉑ Ø 21 mm
- ㉒ Ø 22 mm
- ㉓ Ø 23 mm
- ㉔ Ø 24,5 mm
- ㉘ Ø 28,5 mm
- ㉚ Ø 32 mm
- ㉜ Ø 52 mm



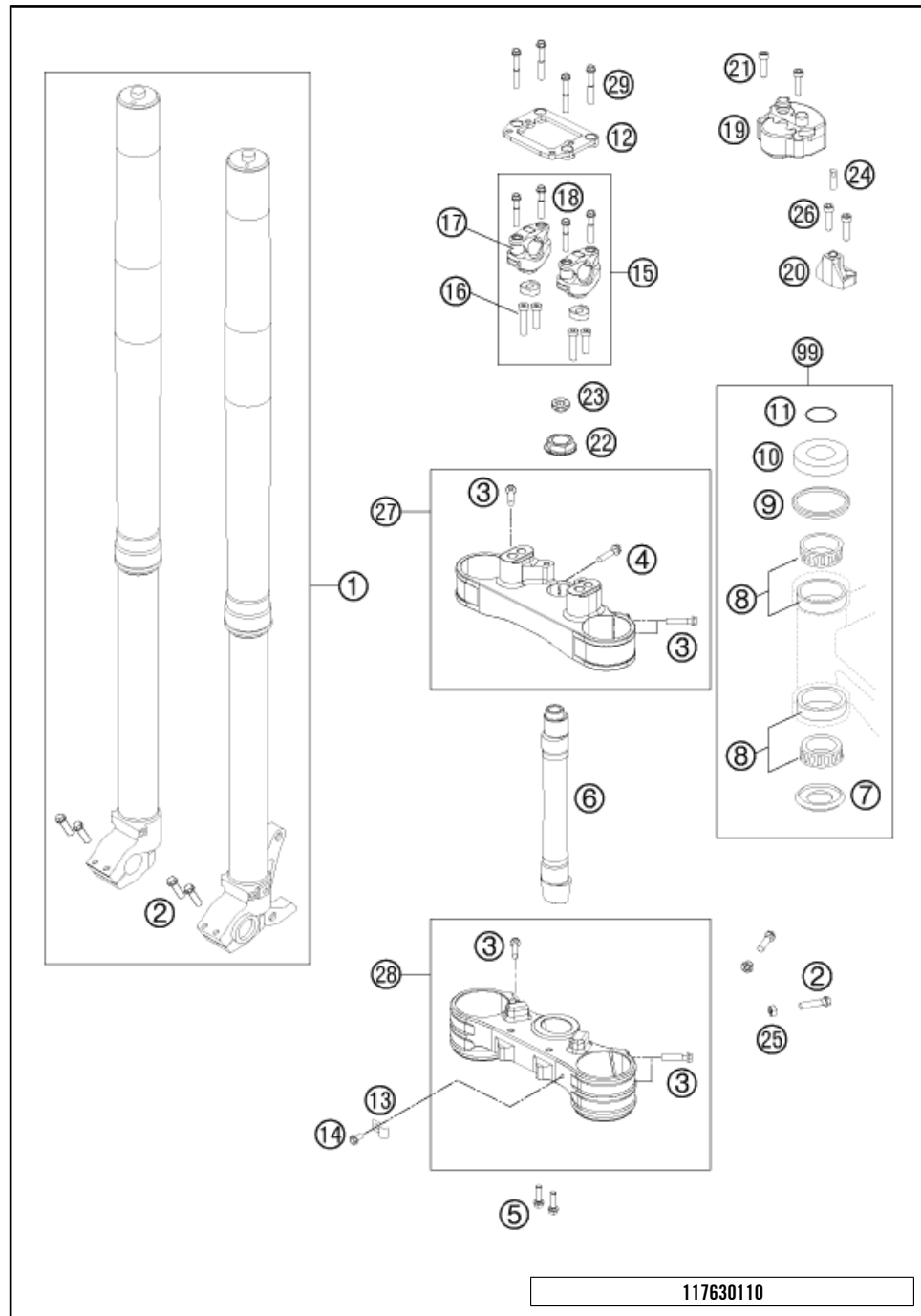
POS	PARTNUMBER	PARTNAME	PIECE
20	50180634	RING 20X22,9X1	X
21	50180209	WASHER 21X36X0,25	X
22	50180330	* PRESS. RING 22X18X0,30	X
23	50180635	SHUTTLE VALVE 23X38X0,25	X
23	50180578	SHIM D23XD16X2	X
24	40541061	WASHER 24,5X34X2	X
28	36120469	SHIM 28,5X14X2	X
28	36120471	SHIM 28,5X14X5	X
32	48600460	WASHER 32X42X2,5	X
32	50600065	SHIM 32X45X2	X
32	46811637	PRESSURE RING 36X32,25	X
52	50600002	SHIM 52X59X2,2	X

080000190

C070000190

* NEW PART

X ON DEMAND



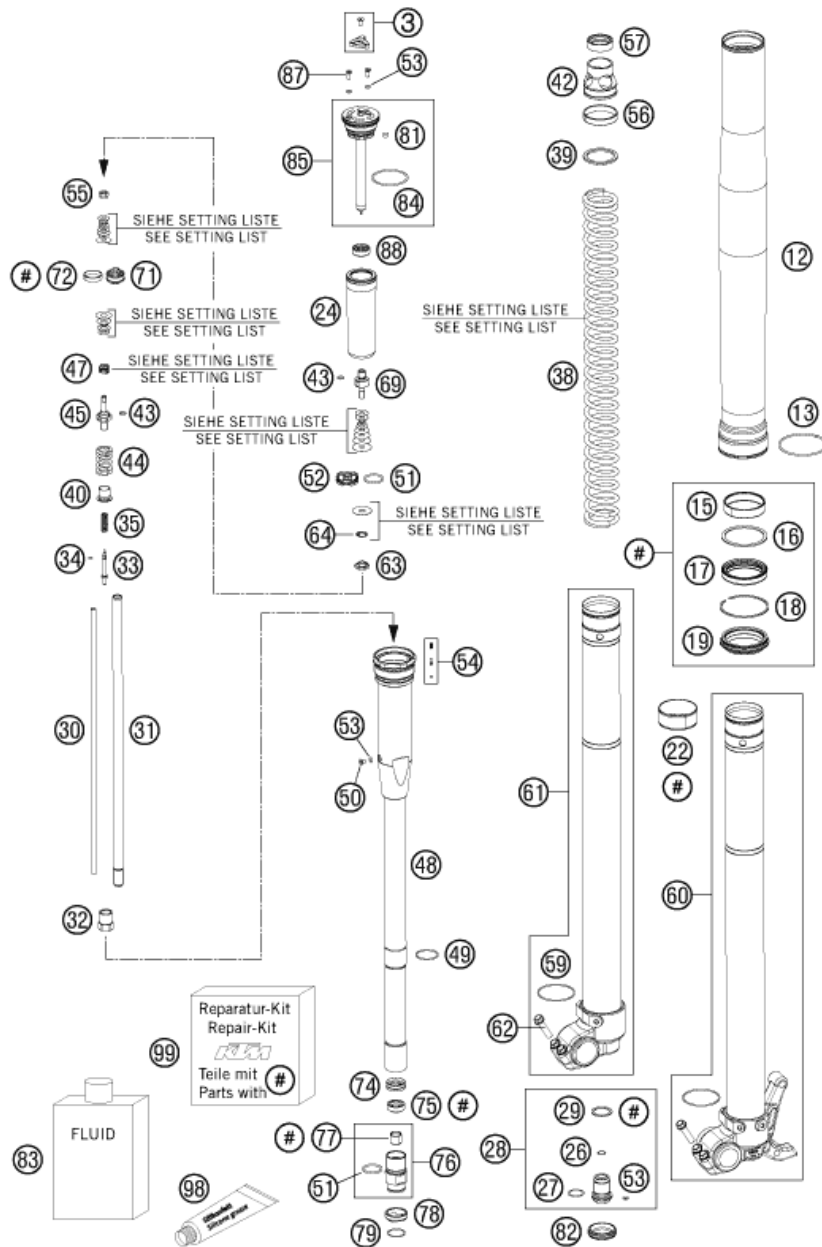
117630110

POS	PARTNUMBER	PARTNAME	PIECE
1	14187K5101	FORK KTM RALLY FACT.REP. 2011	1
2	0025080256	HH COLLAR SCREW M8X25 TX40	6
3	0025080306	HH COLLAR SCREW M8X30 TX40	8
4	0025080256S	HH COLLAR SCREW M8X25 TX40	1
5	0025080206	HH COLLAR SCREW M8X20 TX40	2
6	76201033000	FORK TUBE	1
7	54601084100	%O-RING SUPPORT W. SEALING LIP	1
8	54201081100	TAPERED ROLLER BEARING CPL. 06	2
9	54601184000	STEERING HEAD GASKET TOP	1
10	76201086000	STEERING HEAD COVER SHORTENED	1
11	0770025035	O-RING 25X3,55 NBR70 05	1
12	R0502003000	GPS SUPPORT MILLED 07	1
13	50211096000	CLAMP FOR WIRING HARNESS	1
14	0025050166	HH COLLAR SCREW M5X16 TX30	1
15	SXS07125200	PROGRESSIVE HANDLEB.SUPP.PHDS	1
16	0912100256	AH SCREW DIN0912-M10X25 10.9	2
16	0032100356S	AH-COLLAR SCREW M10X35 ISA45	2
17	SXS05125203	ELASTOMER GREEN/SOFT	x
17	SXS05125204	ELASTOMER YELLOW/MEDIUM	4
17	SXS05125205	ELASTOMER RED/HARD	x
18	0025080456	HH COLLAR SCREW M8X45 TX40	4
19	58512050100	STEERING DAMPER	1
20	76203001079	STEERING DAMPER BRACKET CPL 07	1
21	0912060253	AH SCREW DIN0912-M 6X25	2
22	76206450404	LOCKING NUT M20 STEERING HEAD	1
23	76206450405	LOCKING SCREW M20	1
24	58502006100	PIN F.STEERING STAB. 8MM 05	1
25	46030045000	COLLAR NUT M8 WS=10	2
26	0012060164	AH SCREW DIN6912 M6X16 SL	2
27	76201034022	TOP TRIPLE CLAMP 22MM 07	1
28	76201032022	BOT. TRIPLE CLAMP CPL. 22MM 07	1
29	0025080506	HH COLLAR SCREW M8X50 TX40	4
99	00050000930	STEERING HEAD REP. KIT 06-14	x

C117630110

* NEW PART

X ON DEMAND



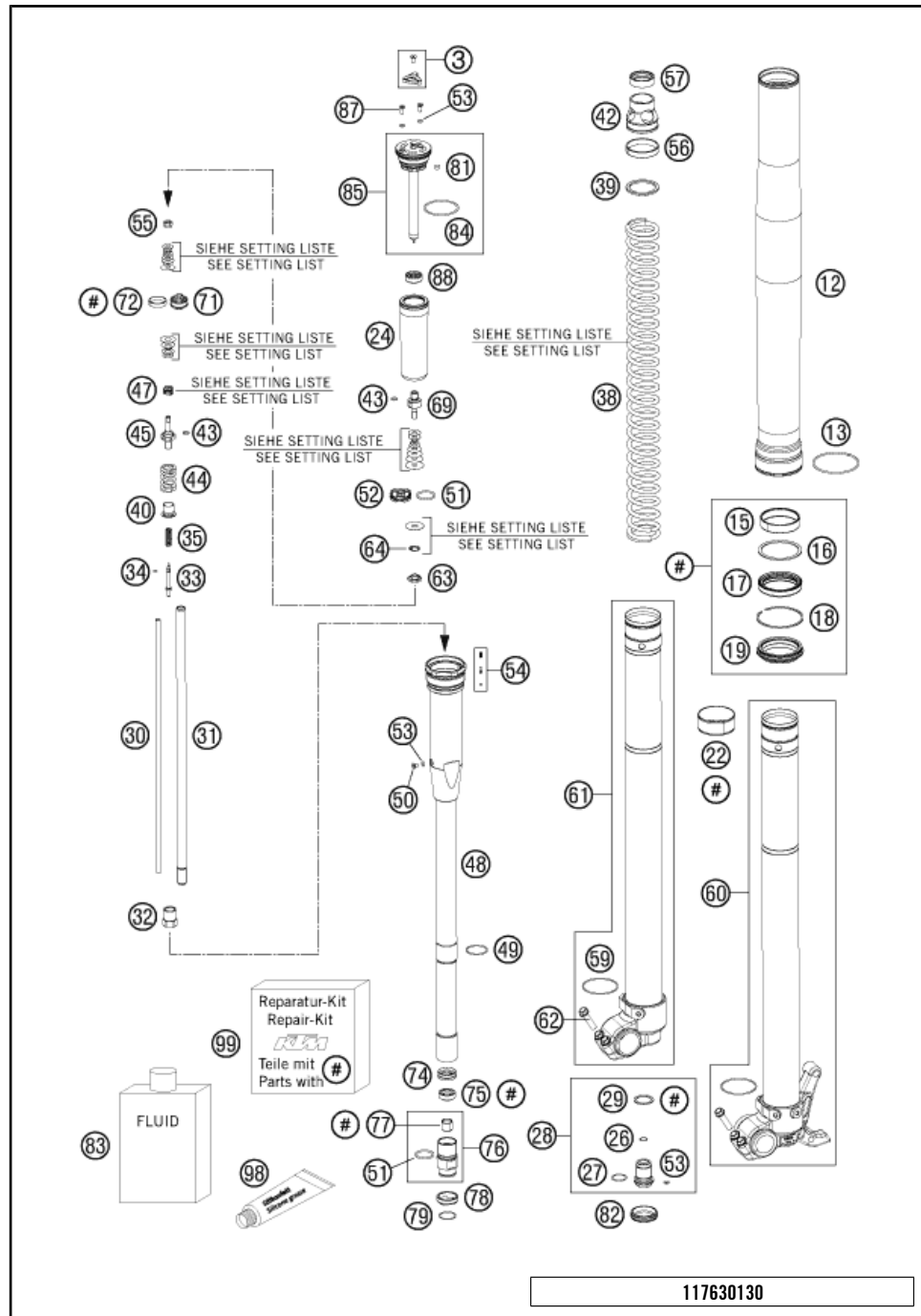
POS	PARTNUMBER	PARTNAME	PIECE
3	48600811S	ADJUSTING KNOB + SCREW	2
12	48600761	OUTER TUBE L577 D54/60MM	2
13	48600016	GUIDING RING D=58MM	2
15	48600429	% DU-BUSH D48XD52X12DDL02	2
16	48600013	SUPPORT RING 50 X 57,6 X 1,5	2
17	48600347	OIL SEAL RING 48X57,8X9,5 03	2
18	48600070	LOCK WASHER SB58	2
19	48600400	DUST CAP D=48 58,4X11,8	2
22	48600428	% DU-BUSH D47XD49X20DDL02	2
24	48600281	MEMBRANE	2
26	48600301	O-RING NBR 9,5X1,5	2
27	46810811	O-RING NBR 17X2 PA	2
28	48600280S	SCREW BUSH M20X1 L=33 CPL.	2
29	48600275	COPPER WASHER 20,5X26X1	2
30	48600269	ADJUSTING TUBE L=371	2
31	48600464	PISTON ROD SXS 2005	2
32	48600459	COUNTERNUT M12X1 WS17	2
33	48600277	ADJUSTER NEEDLE 07	2
34	48600298	O-RING 2X1,5 NBR	2
35	48600444	REBOUND SPRING C=4N/MM	2
38	91410020S	SPRING 4,8N/MM SET D=5,25 MM	x
38	91410030S	SPRING 5,0 N/MM	2
39	48600456	SPACER 43X35X2,5	2
39	48600457	SPACER 43X35X5	x
39	48600458	SPACER 43X35X1,5	x
40	48600525	GUIDING BUSH REBOUND SPRING	2
42	48600520	SPRING SUPPORT	2
43	48600299	O-RING 6X1,2 NBR	4
44	48600578	SPRING REB. L=32 C=37 DI=13,9	2
45	48600576	PISTON ROD REBOUND	2
47	48600382	SHUTTLE VALVE SPRING C=0,4	2
48	48600519S2	MEMBRANE HOLDER INKL. PIN SET	2
49	48600512	LOCK WASHER D=25,5	2
50	48600542	AH SCREW M4X6	2
51	46811499	O-RING NBR 21X2	4
52	48600047	PISTON COMPRESSION D=27,9	2
53	50180222	O-RING NBR 4X1,5	8
54	48600977S	PIN KIT	2

117630130

C117630130

* NEW PART

X ON DEMAND



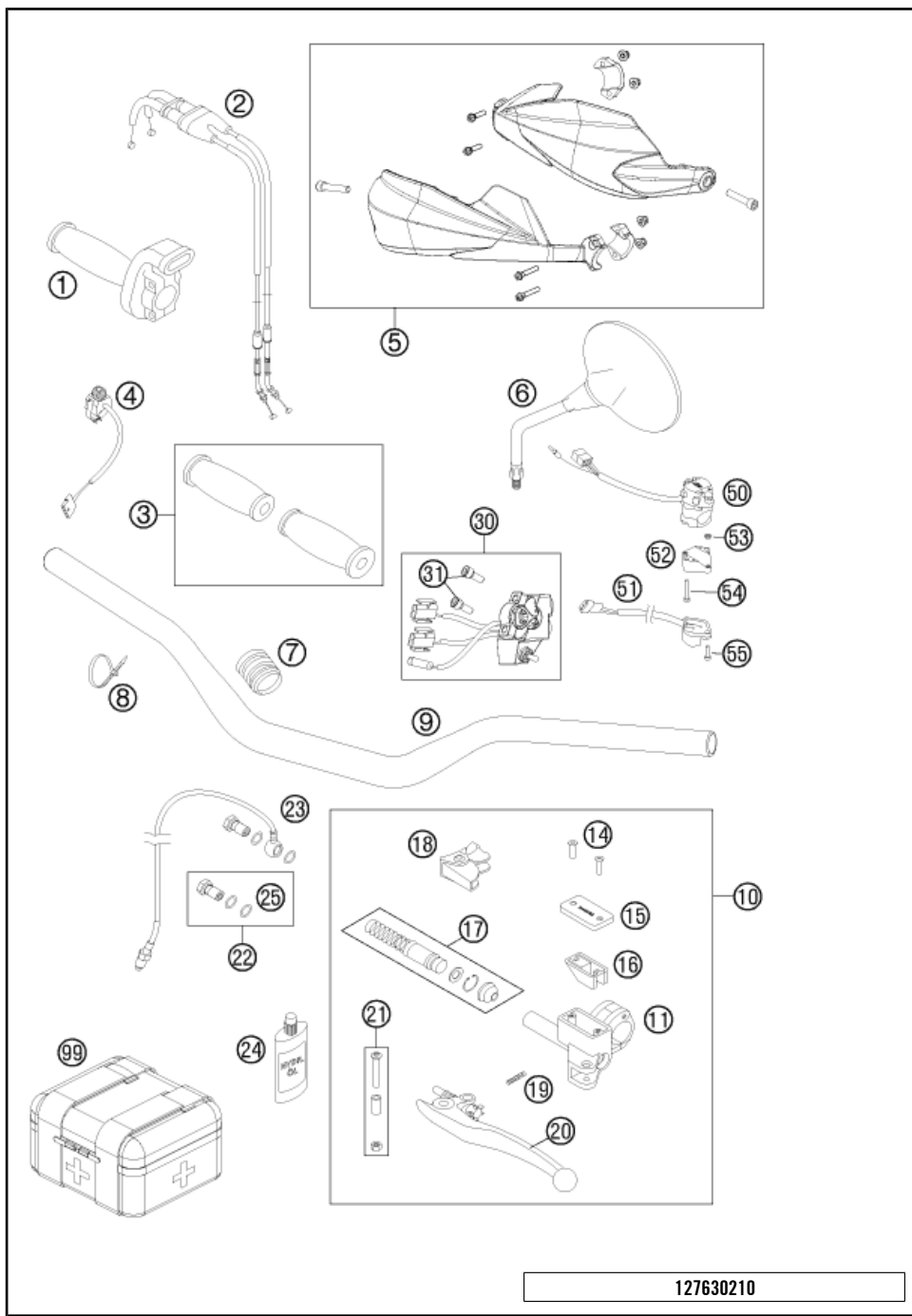
117630130

POS	PARTNUMBER	PARTNAME	PIECE
55	40540486	NUT M6X0,5 REBOUND	2
56	48600294	GUIDE RING 44,2 X39,3	2
57	48600577	RING SPRING-SUPPORT	2
59	48600048	O-RING NBR 46 X 2	2
60	48600838S1	AXLE CLAMP L/S + TUBE CPL.	1
61	48600837S1	AXLE CLAMP R/S + TUBE CPL.	1
62	0025080256	HH COLLAR SCREW M8X25 TX40	4
63	48600163	CHECK VALVE NUT M6X0,5 D=2	2
64	48600202	SPRING CHECK VALVE D=0,7	2
69	48600509	PISTON ROD COMPRESSION	2
71	48600575	PISTON REBOUND SX 2007	2
72	48600455	PISTON RING 5X1X68	2
74	48600296	RING D=23,45X2,65	2
75	48600471	PISTON ROD SEALING	2
76	48600546S	SCREW SLEEVE M24,5X1 CPL.	2
77	48600430	DU BUSH FOR PISTON ROD	2
78	48600297	CHECK VALVE STOP	2
79	48600446	LOCK WASHER D=20	2
81	15080017	SILICON CAP	2
82	48600692	RUBBER CAP D=26,4	2
83	48601166S1	FORK OIL SAE4 5L	1
84	40140024	O-RING NBR 43X2	2
85	48600516S1	% SCREW CAP CPL. L=125	2
87	48600526	SCREW M4X10	4
88	48600514	MEMBRANE SLEEVE	2
98	T511	SILICONE GREASE F. DUST STRI	1
99	R14014	REPAIR-KIT GASKET 48MM 0	1

C117630130

* NEW PART

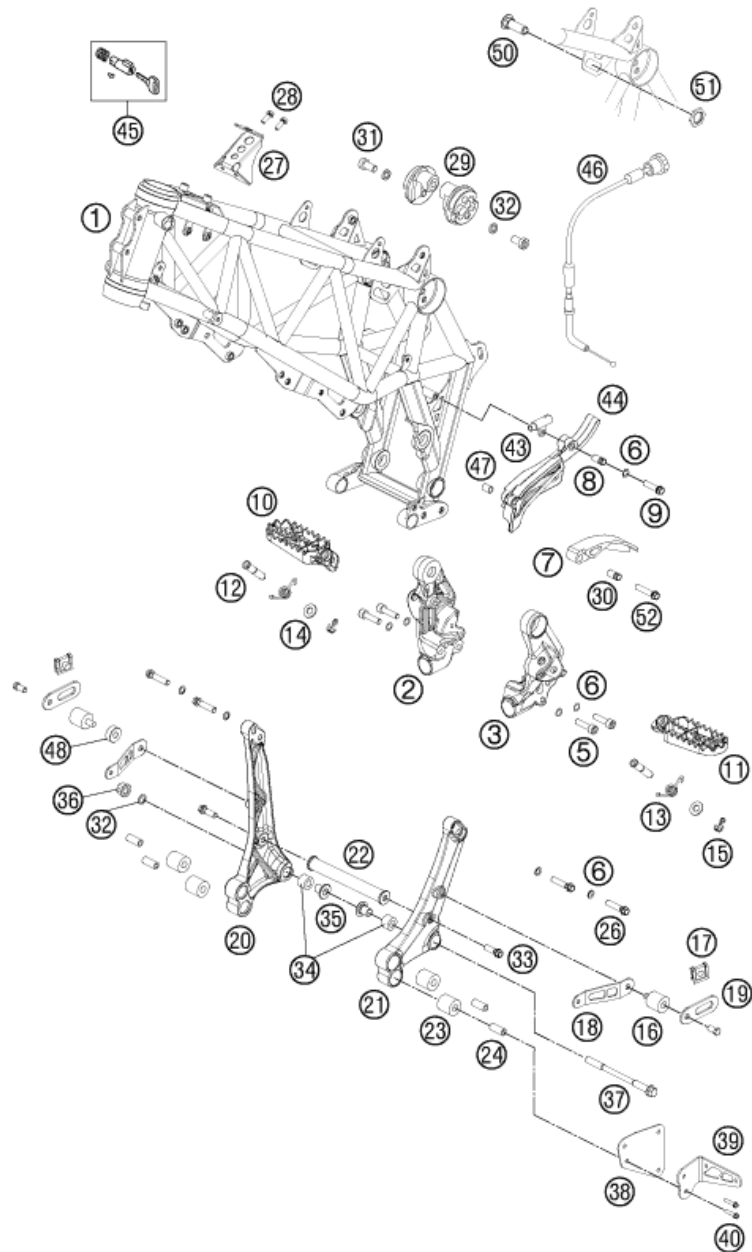
X ON DEMAND



POS	PARTNUMBER	PARTNAME	PIECE
1	58502010000	THROTTLE GRIP 02	1
2	59002091300	THR.CABLE"OPEN-CLOSE"KEIHIN 02	1
3	58502139044	RUBBER GR. PRO GRIP 06	1
4	63011074000	STARTER BUTTON 06	1
5*	7800297900028	* HANDGUARDS CLOSED	1
6	58412040100	%REAR MIRROR L/S+R/S LC4 2001	2
7	54605057000	RUBBER SLEEVE D=21MM/23MM '93	1
8	44011076200	CABLE TIE 200/3,6MM BLACK	1
9	59002001000	HANDLEBAR 28MM HIGH 2000	1
10	54602030000	MASTER CYLINDER CPL.250/300 03	1
11	50302030150	CLAMP WITH PIN 2000	1
14	0965040123	FLAT HEAD SCREW DIN0965-M 4X12	2
15	50302033100	COVER HYD.CLUTCH 2T 2000	1
16	50302034000	RUBBER FOR RESERVOIR '98	1
17	50302032000	REP.SET PISTON MAGURA D=10.5	1
18	50302037000	PROTECT.CAP FOR LEVER PERCH'98	1
19	59002035000	SPRING FOR CLUTCH LEVER 03	1
20	54602031000	CLUTCH LEVER SHORT CPL. 2003	1
21	50302038000	LEVER SCREW CPL. 125-200 '98	1
22	59032062000	HOLLOW SCREW + COPPER GASKET	1
23	76332063000	CLUTCH PIPE 450 RALLY	1
24	50302036200	OIL FOR HYD. CLUTCH 100 ML	1
25	59413013050	COPPER GASKET	2
30	76212175044	ROADBOOK SWITCH CPL. 09	1
31	0912060163	AH SCREW DIN0912-M 6X16	2
50	50311070000	H.LIGHT SWITCH CEV 2/4TAKT '98	1
51	50311029000	FLASHER SWITCH CEV '98	1
52	13011070060	ADAPTER FOR FLASHER SWITCH '98	1
53	0934040003	HEXAGON NUT DIN0934-M 4	2
54	0084040223	CYL.HEAD SCREW DIN0084-M 4X22A	2
55	0985040163	FLAT HEAD SCREW DIN7985-M 4X16	2
99	76212002000	FIRST AID CASE	1

* NEW PART

X ON DEMAND



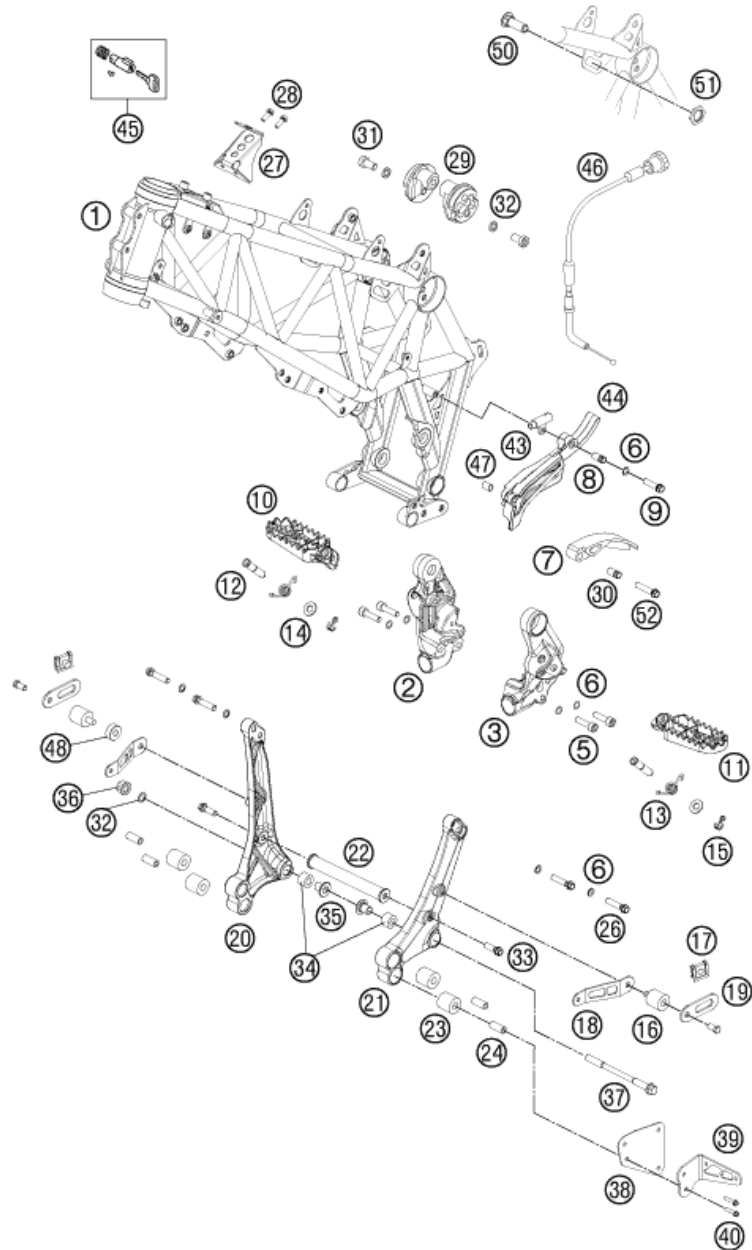
117630310

POS	PARTNUMBER	PARTNAME	PIECE
1	7630300100090	FRAME 450 RALLY 2011	1
2	76203039000	FOOTREST BRACKET RIGHT 07	1
3	76203038000	FOOTREST BRACKET LEFT 07	1
5	0912080303	AH SCREW DIN0912-M 8X30	4
6	36003014000	LOCK WASHER 8MM	9
7	76304066000	CHAIN SLIDING PART 11	1
8	51103053051	BUSHING 8,2X10X20	1
9	0025080356S	HH COLLAR SCREW M8X35 TX40	2
10	76203041250	FOOTREST RIGHT RALLY 07	1
11	76203040250	FOOTREST LEFT RALLY 07	1
12	54603044000	BOLT FOR FOOTREST 9,8 X 50	2
13	54603041000	FOOTREST SPRING L/S & R/S	2
14	0125100003	WASHER DIN0125-A10,5	2
15	0094032253	PIN DIN0094-3,2X25 STEEL	2
16	76305062000	RUBBER GROMMET 30X20-M8X20	2
17	54603048000	RANGE CHANGE METAL NUT M8	2
18	76203005030	RADIATOR STRUT	2
19	76203002420	FUEL TANK SUPPORT PLATE	2
20	76303006000	ENGINE SUPPORT RIGHT 11	1
21	76303005000	ENGINE SUPPORT LEFT 11	1
22	76203005040	CROSS MEMBER CPL. 08	1
23	76203005031	RUBBER INSERT	4
24	76203005050	BUSH ENGINE SUPPORT	4
26	0025080356	HH COLLAR SCREW M8X35 TX40	4
27	76203001066	JOINT PLATE SEAT 07	1
28	59009062013	SPECIAL SCREW M6X13 WS=8 10.9	2
29	76203001072	ADAPTER MONOSHOCK ANCHOR BOLT	2
30	76304266001	BUSHING	1
31	0912100163	AH SCREW DIN0912-M10X16	2
32	50233041100	PAIR OF WASHERS M10 NORDLOCK	2
33	0025080206	HH COLLAR SCREW M8X20 TX40	2
34	76203018000	ELASTOMER BEARING	2
35	76203019000	COLLAR BUSH FOR ELAST.BEARING	2
36	54630044000	COLLAR NUT M10 WS=13	1
37	0912101503	AH SCREW DIN 912 M10X150 10.9	1
38	76303001089	BRACKET OILFILTER	1
39	76303001074	FIXING PLATE VOLT. REGULATOR	1
40	0025060406	HH COLLAR SCREW M6X40 TX30	2

C117630310

* NEW PART

X ON DEMAND



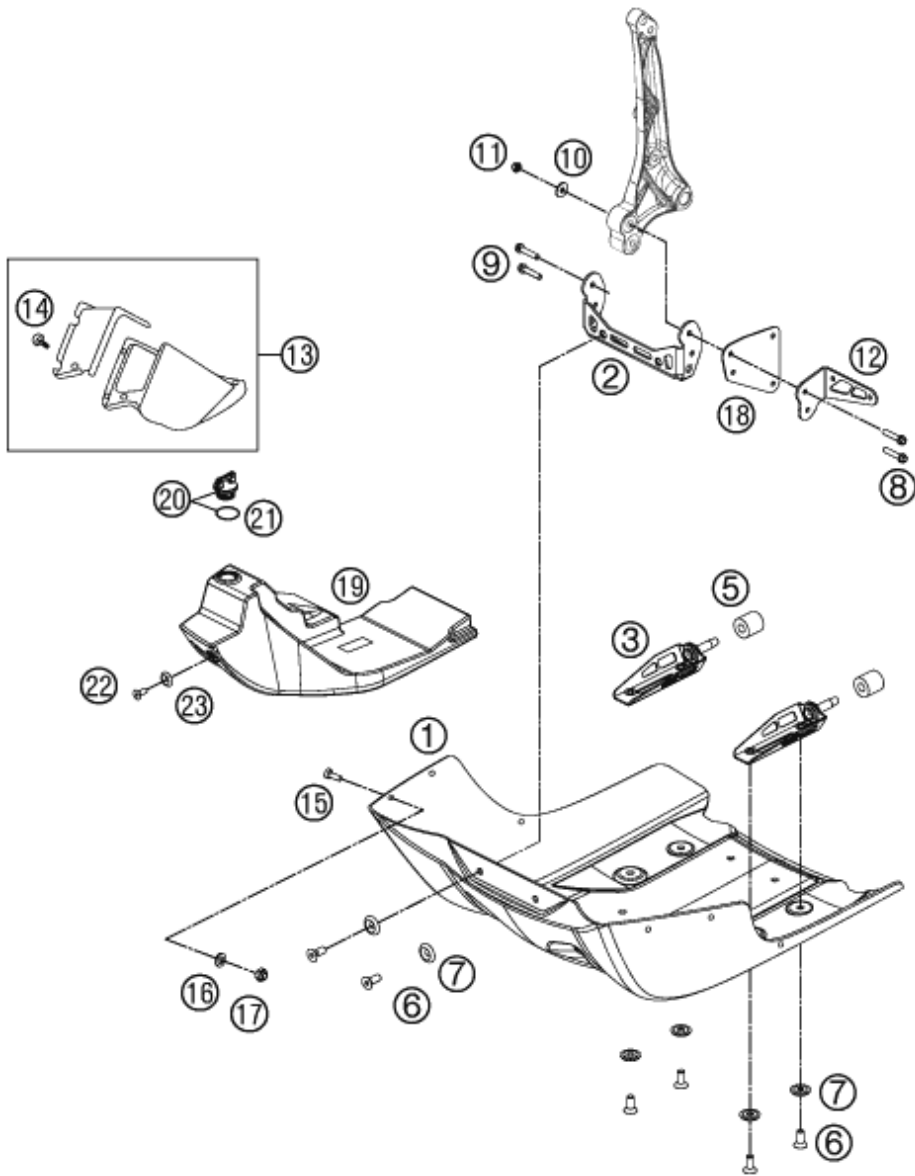
117630310

POS	PARTNUMBER	PARTNAME	PIECE
43	76202095051	SLEEVE FOR CHOKE CABLE	1
44	76303096000	CHAIN SPROCKET COVER	1
45	71003007000	STEERING HEAD LOCK CPL. ZADI	1
46	76202095000	CHOKE-CABLE l = 235 07	1
47	76330047005	SPACER BUSHING CHAIN GUARD	1
48	76303005041	BUSHING TANK RIGHT	1
50	58512068100	FIXING SCREW TANK REAR	2
51	60512063050	NUT FTANK BRACKET REAR	2
52	0025080456	HH COLLAR SCREW M8X45 TX40	1

C117630310

* NEW PART

X ON DEMAND



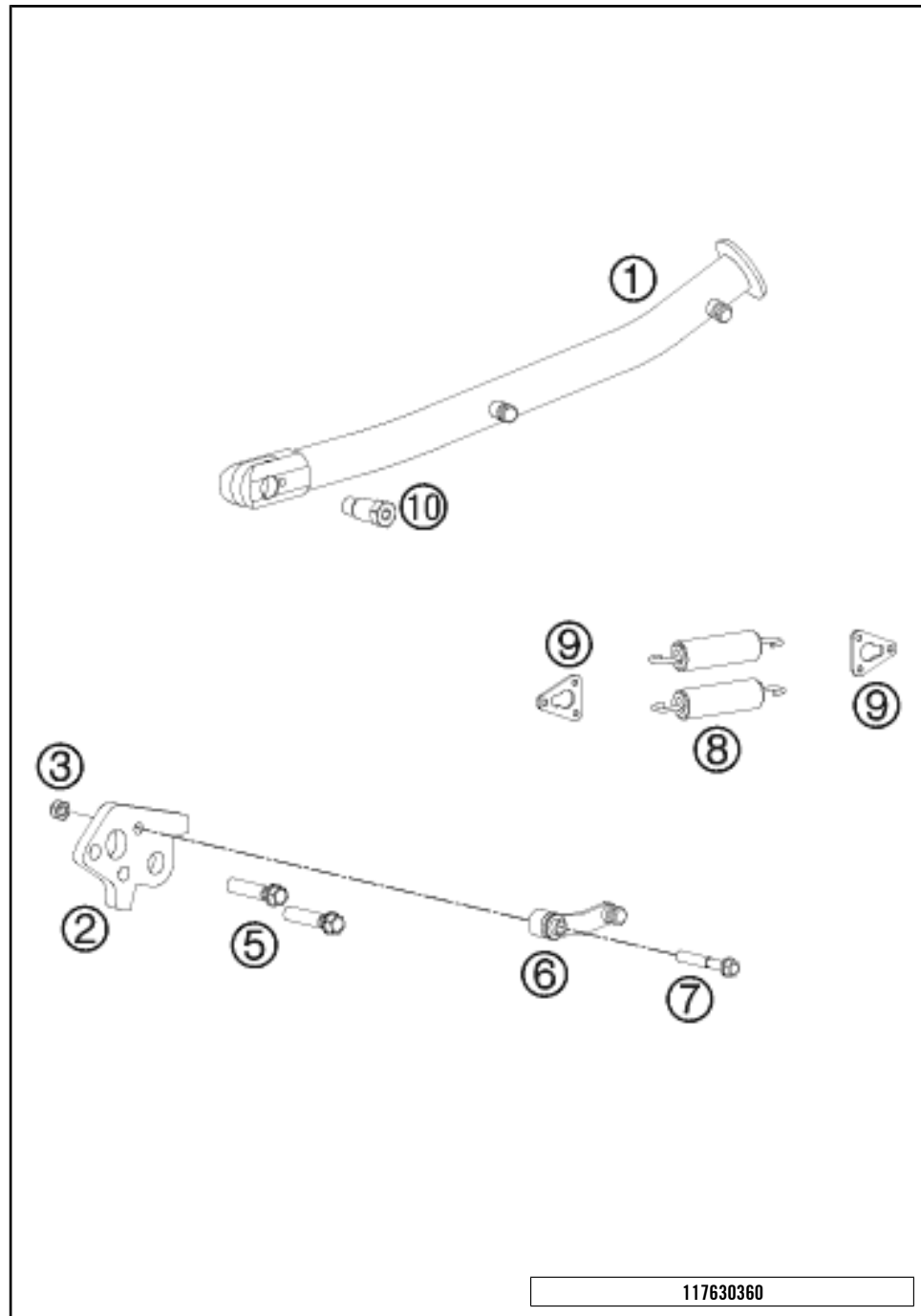
POS	PARTNUMBER	PARTNAME	PIECE
1	76212099040	ENGINE GUARD	1
2	76212099024	ENGINE GUARD BRACKET CPL.	1
3	76212099010	ENGINE GUARD BRACKET REAR CPL.	2
5	76203005031	RUBBER INSERT	2
6	0019080206S	FLAT HEAD SCREW M. ISA45 M8X20	6
7	58303061000	SPECIAL WASHER ALU 8 X 24 MM	6
8	0025060406	HH COLLAR SCREW M6X40 TX30	2
9	0025060356	HH COLLAR SCREW M6X35 TX30	2
10	0021060003	WASHER DIN9021-A 6,4	4
11	0985060003	SELF LOCK. NUT DIN0985-M 6	4
12	76303001073	FIXING PLATE VOLT. REGULATOR	1
13	76212099060	TOOL CASE R/S CPL.	1
14	69008901150	QUICK RELEASE	2
15	58605083014	SCREW M5X14 TORX 25 07	5
16	0125050003	WASHER DIN0125-A 5,3	5
17	0985050003	SELF LOCKING NUT DIN0985-M 5	5
18	76303001089	BRACKET OILFILTER	1
19	76312099133	WATER CANISTER	1
20	58030020100	PLUG CPL. M24X3	1
21	0770191015	O-RING 19,00X3,00 NBR	1
22	0991060163	FLAT HEAD SCR. DIN7991-M 6X16	6
23	58308045000	SPECIAL WASHER 7X12,5X20 BLACK	6

117630330

C117630330

* NEW PART

X ON DEMAND



117630360

POS	PARTNUMBER	PARTNAME	PIECE
1	76203023000	SIDE STAND PIPE CPL. 07	1
2	76203026044	SIDE STAND BRACKET 07	1
3	0985060003	SELF LOCK. NUT DIN0985-M 6	1
5	0025080256	HH COLLAR SCREW M8X25 TX40	2
6	76203080044	PLATE SIDE STAND MECH. CPL.	1
7	0025060406	HH COLLAR SCREW M6X40 TX30	1
8	60003024000	SPRING FOR SIDE STAND 03	2
9	60003028003	SUPPORT SIDE STAND SPRING 03	2
10	58203027200	SCREW FOR SIDE STAND M10X26,7	1

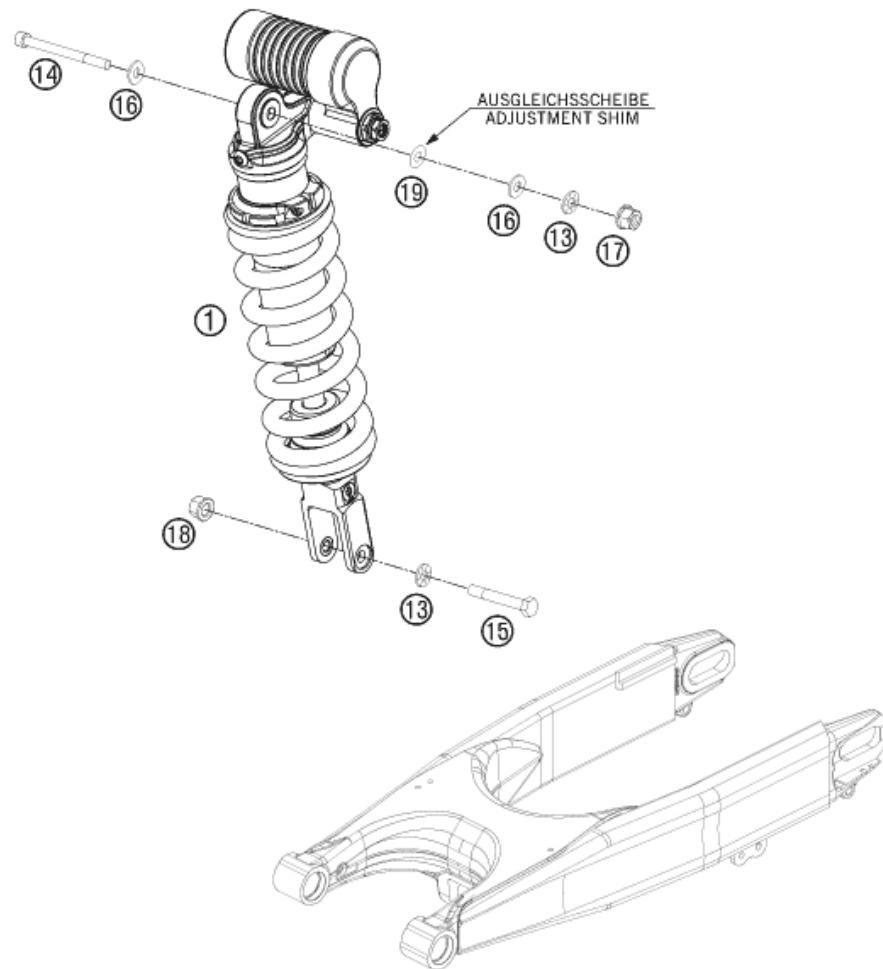
C117630360

* NEW PART

X ON DEMAND

SHOCK ABSORBER

450 RALLY FACTORY REPLICA 2012



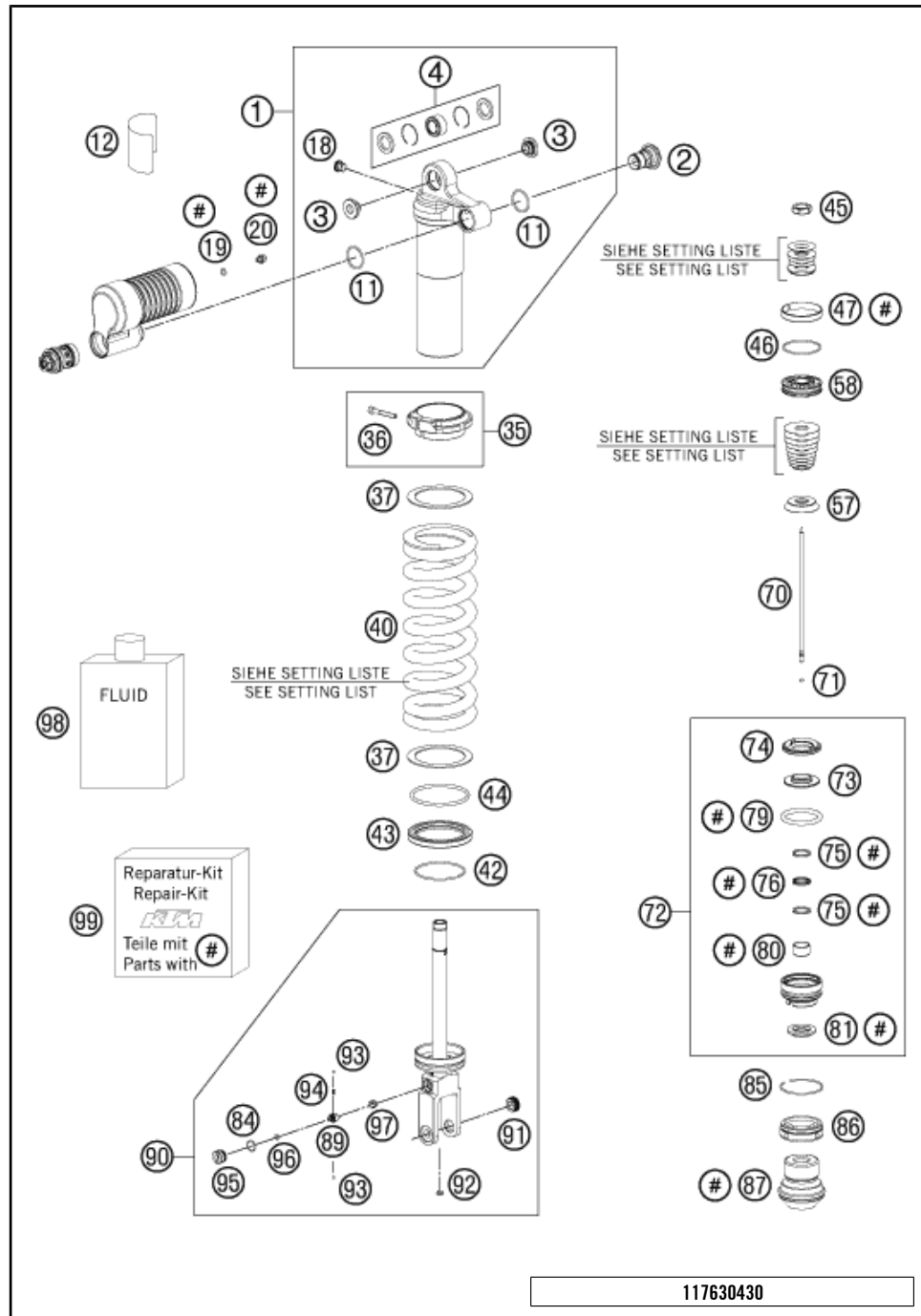
POS	PARTNUMBER	PARTNAME	PIECE
1	12187K5101	MONOSHOCK BAVP5018 RALLY 450	1
13	50233041100	PAIR OF WASHERS M10 NORDLOCK	2
14	0912101306	ALLEN SCREW DIN0912-M10X130	1
15	56503093000	SPECIAL SCREW M10X55 WS=17	1
16	0125100003	WASHER DIN0125-A10,5	2
17	54630044000	COLLAR NUT M10 WS=13	1
18	76230044000	COLLAR NUT M10 TURNED	1
19	76203030000	SHIM 10X24X1	x

117630410

C117630410

* NEW PART

X ON DEMAND

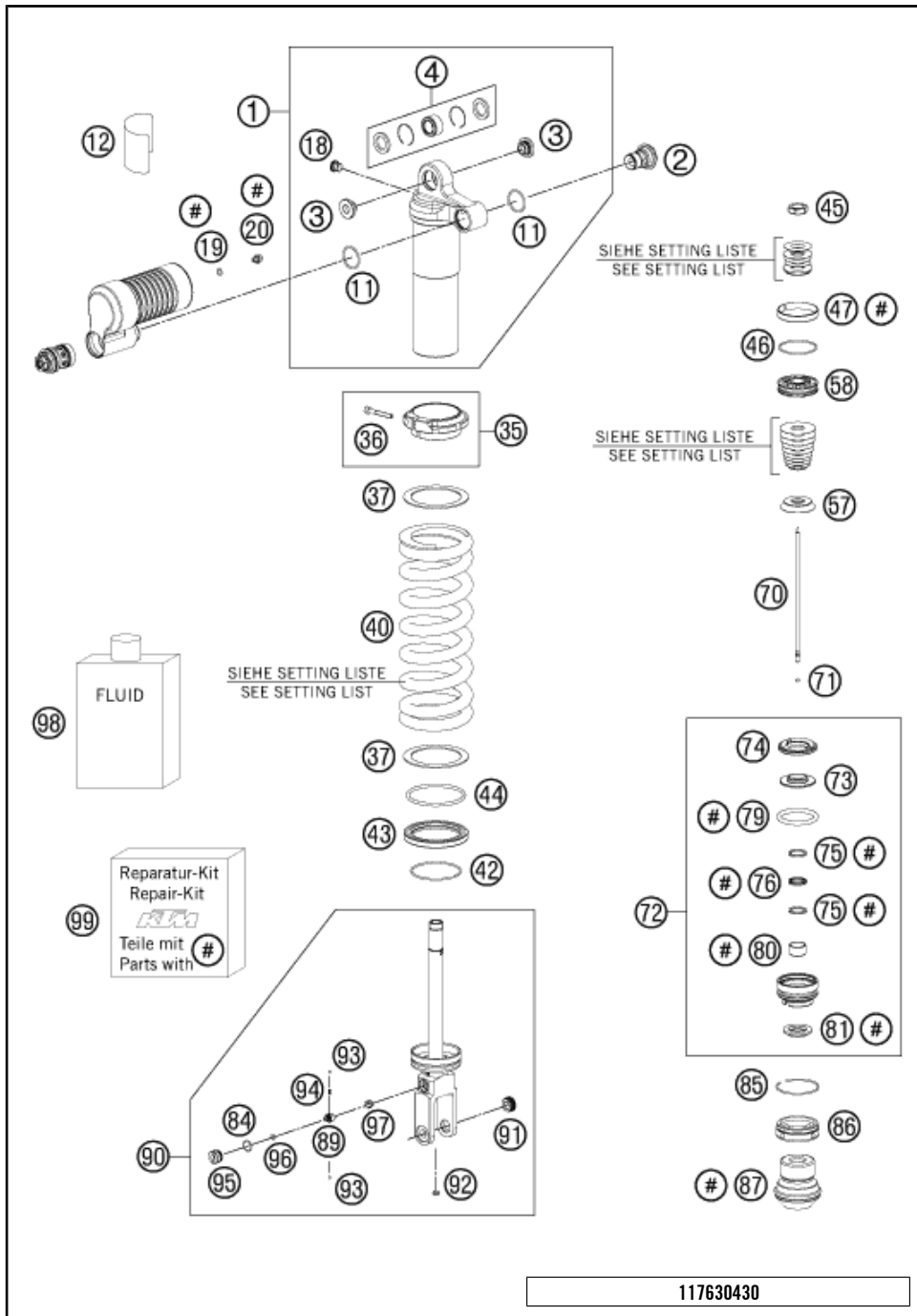


POS	PARTNUMBER	PARTNAME	PIECE
1	50180612S1	MONOSHOCK CASE TOP	1
2	46180413	BOLT M20X1 05	1
3	46180010	BUSH KGW 10X24	2
4	R12012	REP. KIT BEAR./SEAL UP. 07	1
11	46180425	O-RING NBR 25X2	2
12	52000087	STICKER WP MONOSHOCK	1
18	40140014S	PLUG ALU M10X1 CPL.	1
19	46810893	O-RING NBR 5,28X1,78	1
20	36120151	SCREW PLUG M5X6	1
35	50180582S	SPRING RET. (SCREW) M56X1 ANO.	1
36	50180327	AH SCREW M5X30 DIN912	1
37	50180226	INTERMEDIATE RING 50X1,5	2
40	91210040	SPRING 80N/MM L250 TITANLOOK	x
42	50180273	CIRCLIP 58,2X2	1
43	50180607S	SPRING RETAINER D=80	1
44	50180352	O-RING VITON 66,27X3,53	1
45	50180141	PISTON ROD NUT M16X1	1
46	50180099	O-RING VITON 44,17X1,78	1
47	50180135	PISTON RING 50-8	1
57	50180421	REBOUND DISK D=43/34 H=5	1
58	50180197	PISTON 6+6X7/4,5	1
70	50180513	NEEDLE L=171	1
71	46811265	O-RING VITON 2,2X1,6	1
72	50180435S1	ADAPTOR D50 H29 CPL.	1
73	50180113	STEEL DISC 18X,5X43,7X6	1
74	50180107	REBOUND RUBBER	1
75	50180102	BACKUPRING 22,55X1,5	2
76	50180593	SEAL RING QUAD 17.12X2.62 80SH	1
79	50180103	O-RING 41X5	1
80	46180119	DU-BUSH 18X20X12	1
81	50180082	DUST SEAL 1835	1
84	46180013	O-RING NBR 12X1	1
85	50180126	CIRCLIP 53X1,75	1
86	50180580	RESERVOIR CAP D=50 SXS 07	1
87	50180480	BUMP RUBBER D58 D17 H59 SXS 05	1
89	46180006	ADJUSTING SCREW L=15,5	1
90	50180503S1	FORK PART W/ SPINDLE CPL. 07	1
91	50180462	THR. BUSH M10X1,5 B=1,5 H=7,5	1

117630430

C117630430

* NEW PART X ON DEMAND

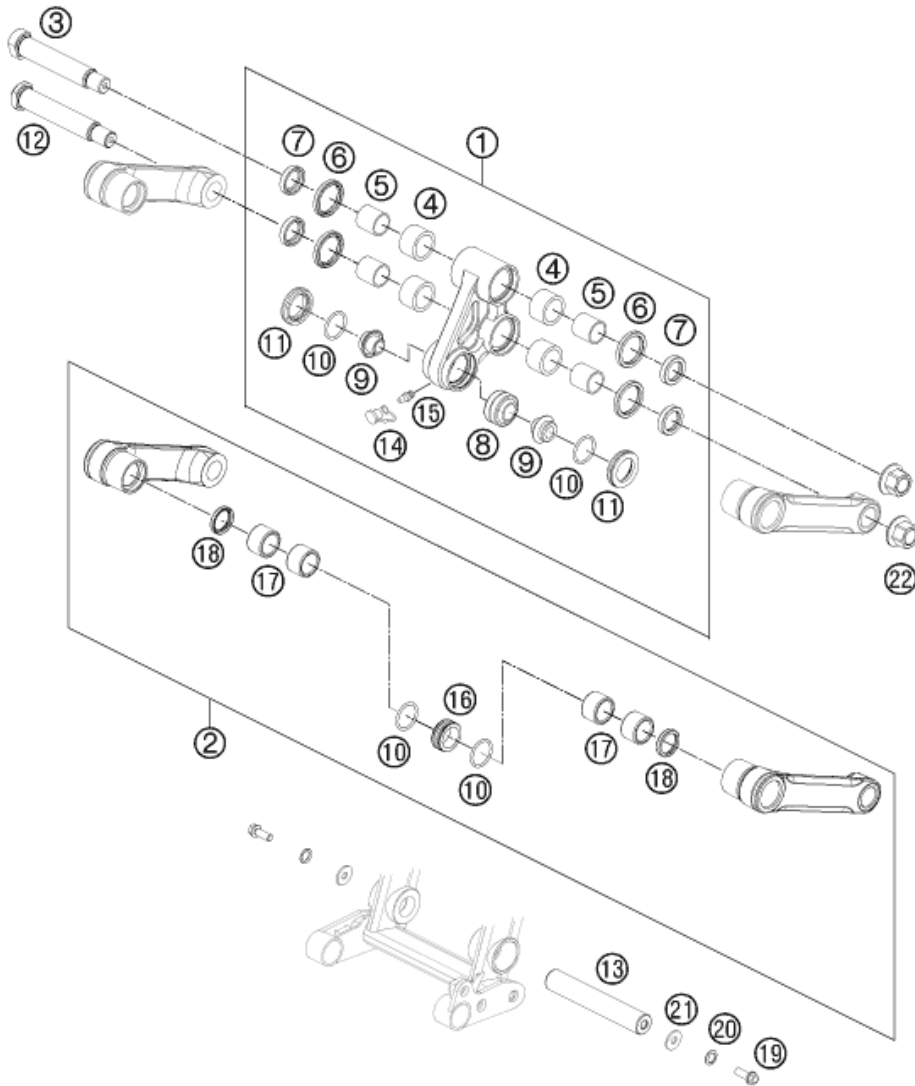


POS	PARTNUMBER	PARTNAME	PIECE
92	50180297	RUBBER PLUG D=8	1
93	40540603	STEEL BALL D=3MM	2
94	48600028	SPRING D=2,9 L=7,9	1
95	46180005	RESERVOIR CAP M16X1	1
96	50180222	O-RING NBR 4X1,5	1
97	46180016	ADJUSTING ADAPTOR REBOUND	1
98	50180751S1	SHOCK ABSORBER FLUID 5 LT	1
99	R12016	REPAIR KIT SXS + 690 RALLY 07	1

117630430

C117630430

* NEW PART X ON DEMAND



POS	PARTNUMBER	PARTNAME	PIECE
1	76203032044	TRIANGLE LEVER CPL.	1
2	76203083044	PULL ROD CPL.	1
3	76203032010	BOLT FOR CANTILEVER 07	1
4	54603097000	NEEDLE BUSH HK 2016	4
5	76203083060	INNER RING INA 17/20/20 07	4
6	0760253240	SHAFT SEAL RING 25X32X4	4
7	76203090000	BUCKET FOR SHAFT SEAL RING 07	4
8	76203083050	SPHERICAL BEARING INA GE14BW	1
9	76203085000	COLLAR BUSHING 07	2
10	0770021020	O-RING 21,00X2,00 NBR70	4
11	76203032020	SUPPORT FOR SEAL RING	2
12	76203032015	BOLT FOR CANTILEVER PULL ROD	1
13	76203083010	PULL ROD ANCHOR BOLT	1
14	53003099000	CAP WITH LOOP RED	1
15	72003035000	GREASE FITTING M6 STRAIGHT	1
16	76203083005	SPACER RING	1
17	56503195100	NEEDLE BEARING HK 1816	4
18	0760182442	SHAFT SEAL RING 18X24X4	2
19	0025080166	HH COLLAR SCREW M8X16 TX40	2
20	36003014000	LOCK WASHER 8MM	2
21	0021080003	WASHER DIN9021-A 8,4	2
22	54603015000	SELF LOCKING NUT M14X1,5 WS=19	2

117630460

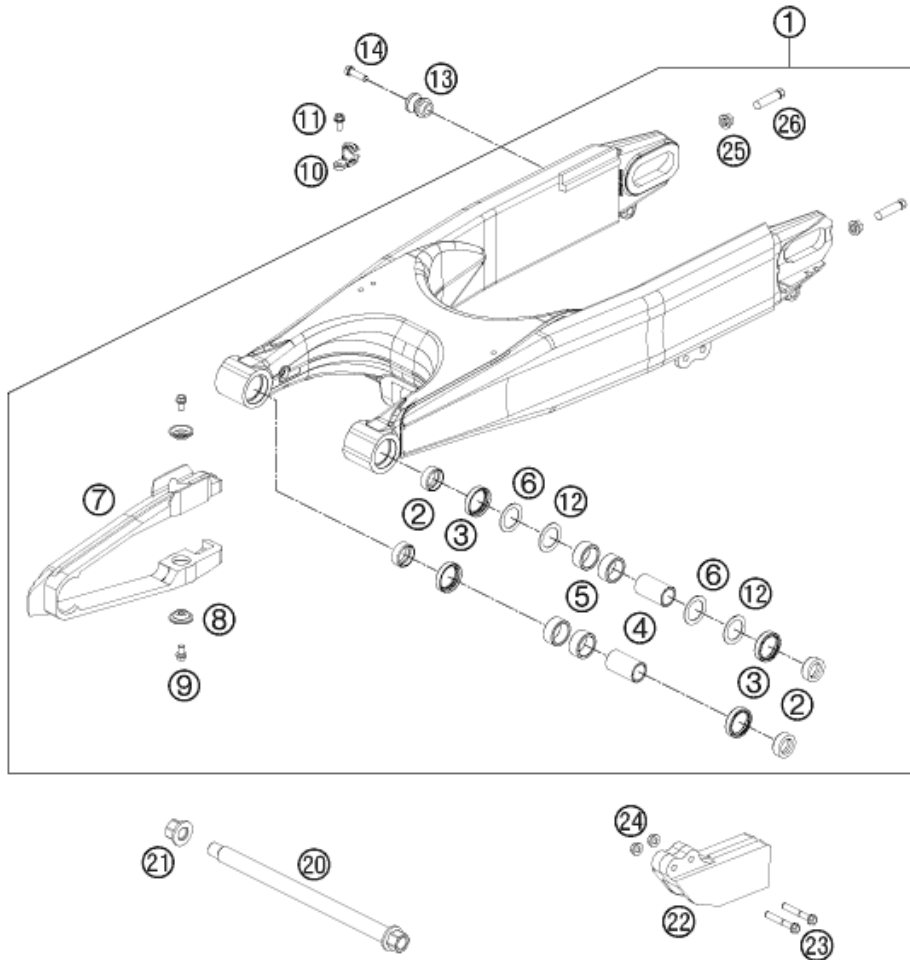
C117630460

* NEW PART

X ON DEMAND

SWING ARM

450 RALLY FACTORY REPLICA 2012



POS	PARTNUMBER	PARTNAME	PIECE
1	76204030044	SWINGARM RALLY CPL. 07	1
2	76204034000	SPACER F. SHAFT SEALRING 07	4
3	0760253270	SHAFT SEAL RING 25X32X7	4
4	59404032000	BEARING SLEEVE 17X22X38,7 03	2
5	59004031200	% NEEDLE BUSH HK2212V	4
6	76203037100	STOP DISK 22X32X1,0	2
7	50304066100	CHAIN GUARD 05	1
8	72210079000	BUCKET	2
9	0025060106	HH COLLAR SCREW M6X10 TX30	2
10	54611076100	RETAIN.CLAMP FOR BRAKE HOSE'96	1
11	0010050103	SPECIAL SCREW M 5,0X10	1
12	76203037000	STOP DISK 22,2X31,7X0,5	2
13	R0610089000	SUPPORT F. LIFTING DEVICE	2
14	0032100356S	AH-COLLAR SCREW M10X35 ISA45	2
20	76204037044	SWINGARM BOLT CPL. 07	1
21	54603015000	SELF LOCKING NUT M14X1,5 WS=19	1
22	54607066100	CHAIN GUIDE REAR '94	1
23	0025060406	HH COLLAR SCREW M6X40 TX30	2
24	56509064100	SELF LOCKING NUT M6 10.9	2
25	58414030000	HH COLLAR NUT M10X1,25 WS=13	2
26	50304040100	SCREW M10X1,25X50 WS=10	2

117630490

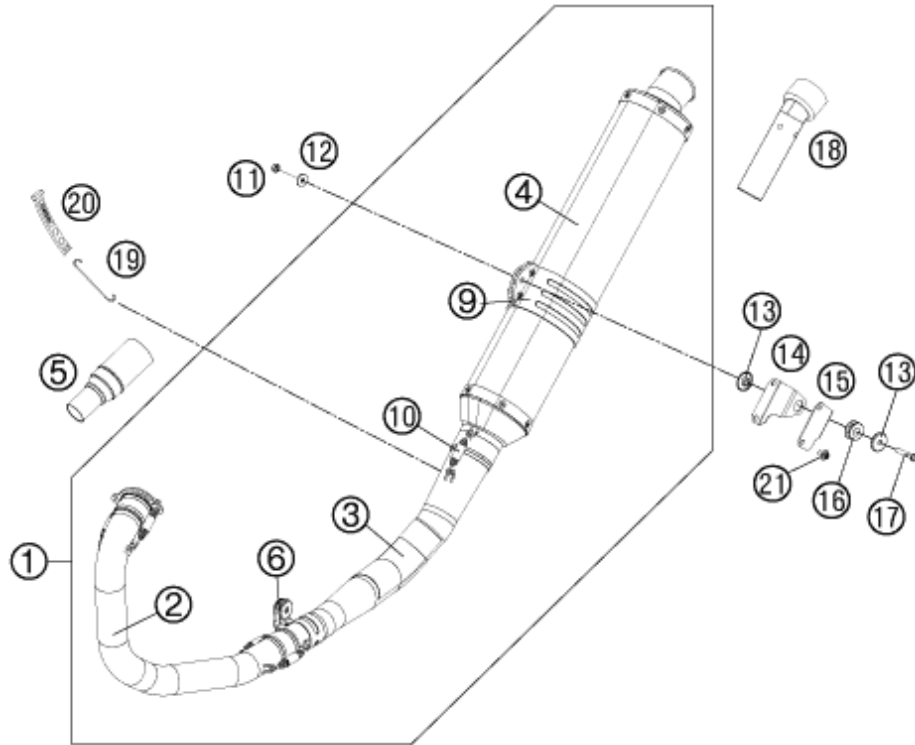
C117630490

* NEW PART

X ON DEMAND

EXHAUST SYSTEM

450 RALLY FACTORY REPLICA 2012



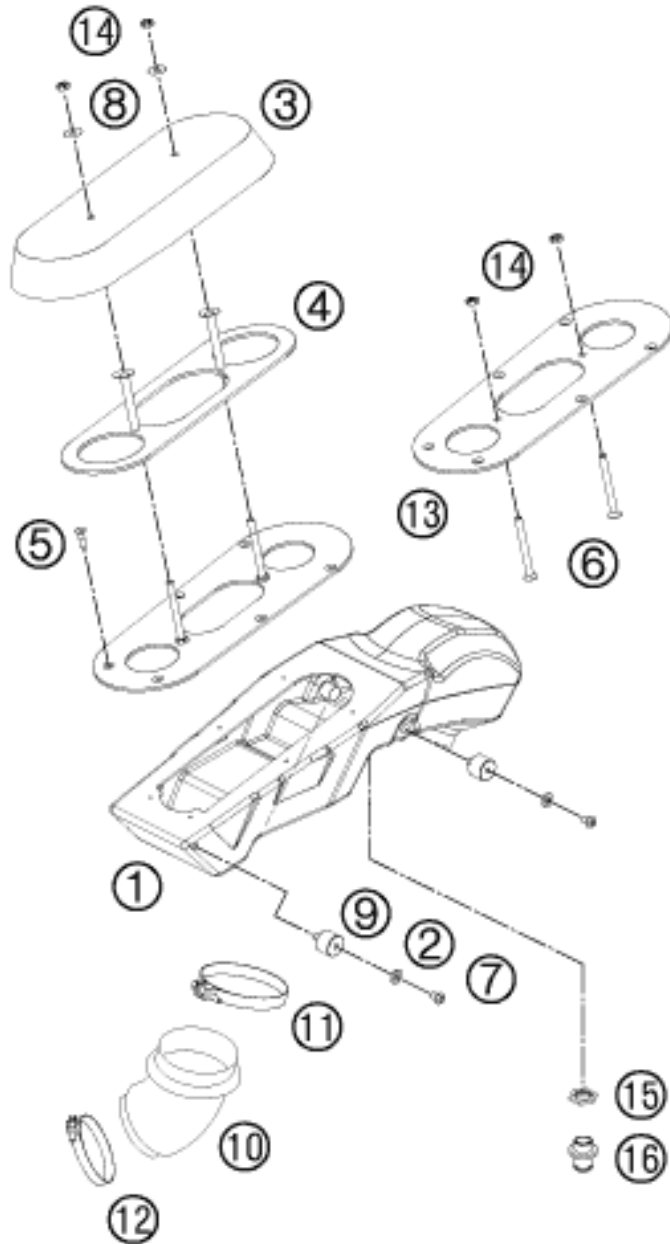
POS	PARTNUMBER	PARTNAME	PIECE
1	7630500000	EXHAUST SYSTEM CPL. AKRAPOVIC	1
2	76305007000	EXHAUST MANIFOLD	1
3	76305008000	EXHAUST TAIL PIPE	1
4	76305083000	SILENCER	1
5	77005009033	CATALYST WELDED EXC 08	1
6	76305053000	EXHAUST BRACKET	1
9	76305084000	CLAMP FOR SILENCER	1
10	57305016100	EXHAUST-SPRING SMALL W. RUBBER	6
11	0934060003	HEXAGON NUT DIN0934-M 6	1
12	50232050000	WASHER 6,2X18X2	1
13	54605069000	BUSHING 7,5X12X28X7,8 '96	2
14	76305052010	EXHAUST FIXING PLATE REAR	1
15	76305052009	EXHAUST FIXING PLATE LEFT	1
16	54605068000	% EXHAUST BRACKET RUBBER BLACK	1
17	0025060356	HH COLLAR SCREW M6X35 TX30	1
18	76305001000	DB-KILLER	1
19*	58503031000	SPRING CLIP SIDE STAND 05	1
20*	54611186000	RUBBER BAND	1
21	0024060106	HH COLLAR SCREW M6X10 TX30	4

127630510

C127630510

* NEW PART

X ON DEMAND



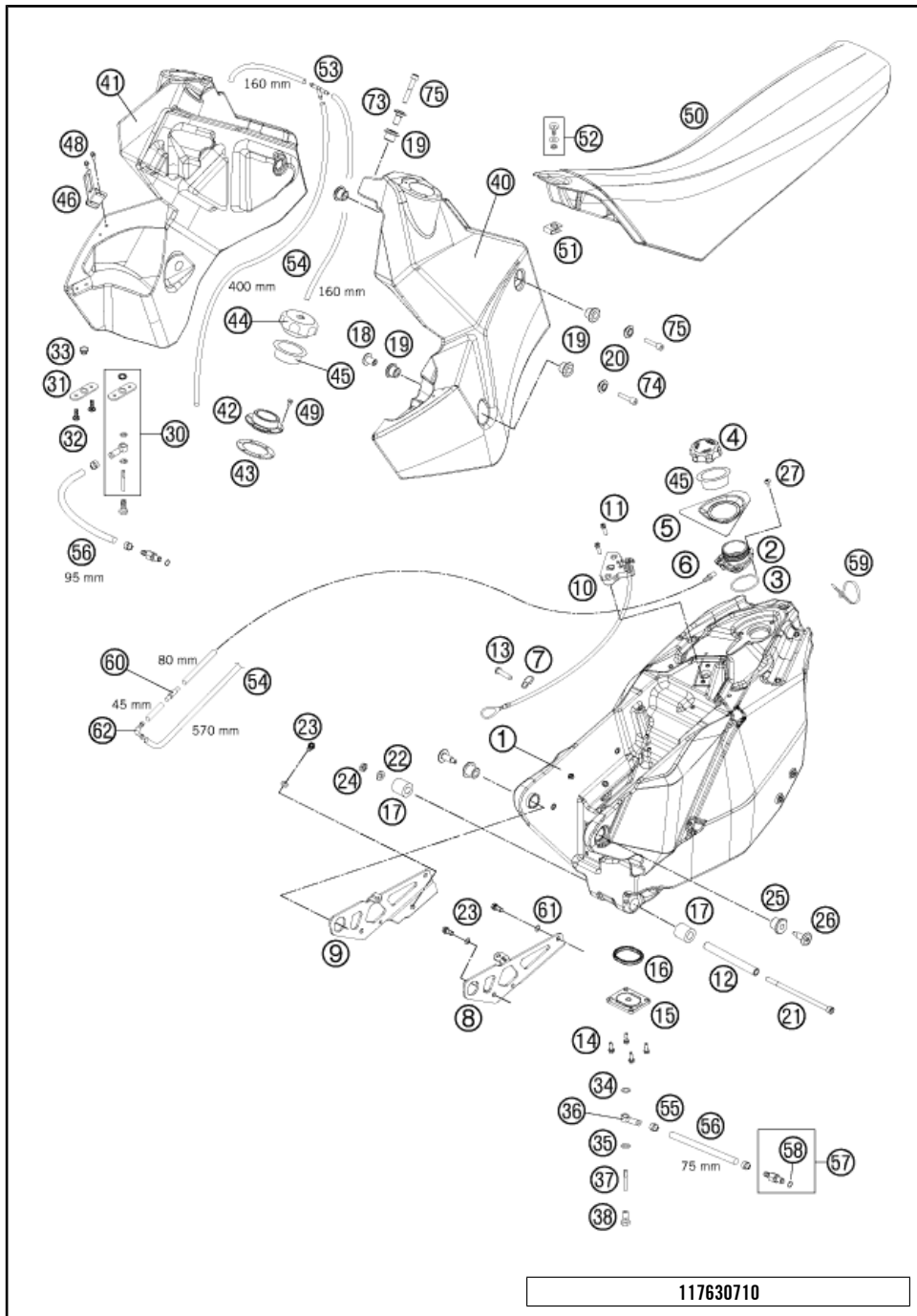
POS	PARTNUMBER	PARTNAME	PIECE
1	76306104000	AIR FILTER BOX	1
2	0137060003	SPRING WASHER DIN0137-B 6	4
3*	58506015000	AIR FILTER TWIN AIR 01	1
4*	58506001000	FILTER CARRIER	1
5*	0991050162	FLAT HEAD S. DIN7991 M5X16-8.8	6
6*	0933050603	* HH SCREW DIN0933-M 5X60	2
7*	0991060082	FLAT H.SCREW M6X8 DIN7991 NIRO	4
8*	0021050003	WASHER DIN9021-A 5,3	2
9*	43205062100	RUBBER GROMMET 20X15-M6X10 (1)	4
10	80006026100	CARB. CONNECT. BOOT 450/501 04	1
11	58506027000	HOSE CLAMP 70-90MM	1
12*	78006027000	HOSE CLAMP 45-65MM	1
13*	76206001051	AIR FILTER BOX PLATE	1
14*	0985050003	SELF LOCKING NUT DIN0985-M 5	4
15	76312063050	NUT F.TANK BRAKET REAR	1
16	59030022100	BLEEDER FLANGE M12X1,5 WS=13	1

127630610

C127630610

* NEW PART

X ON DEMAND



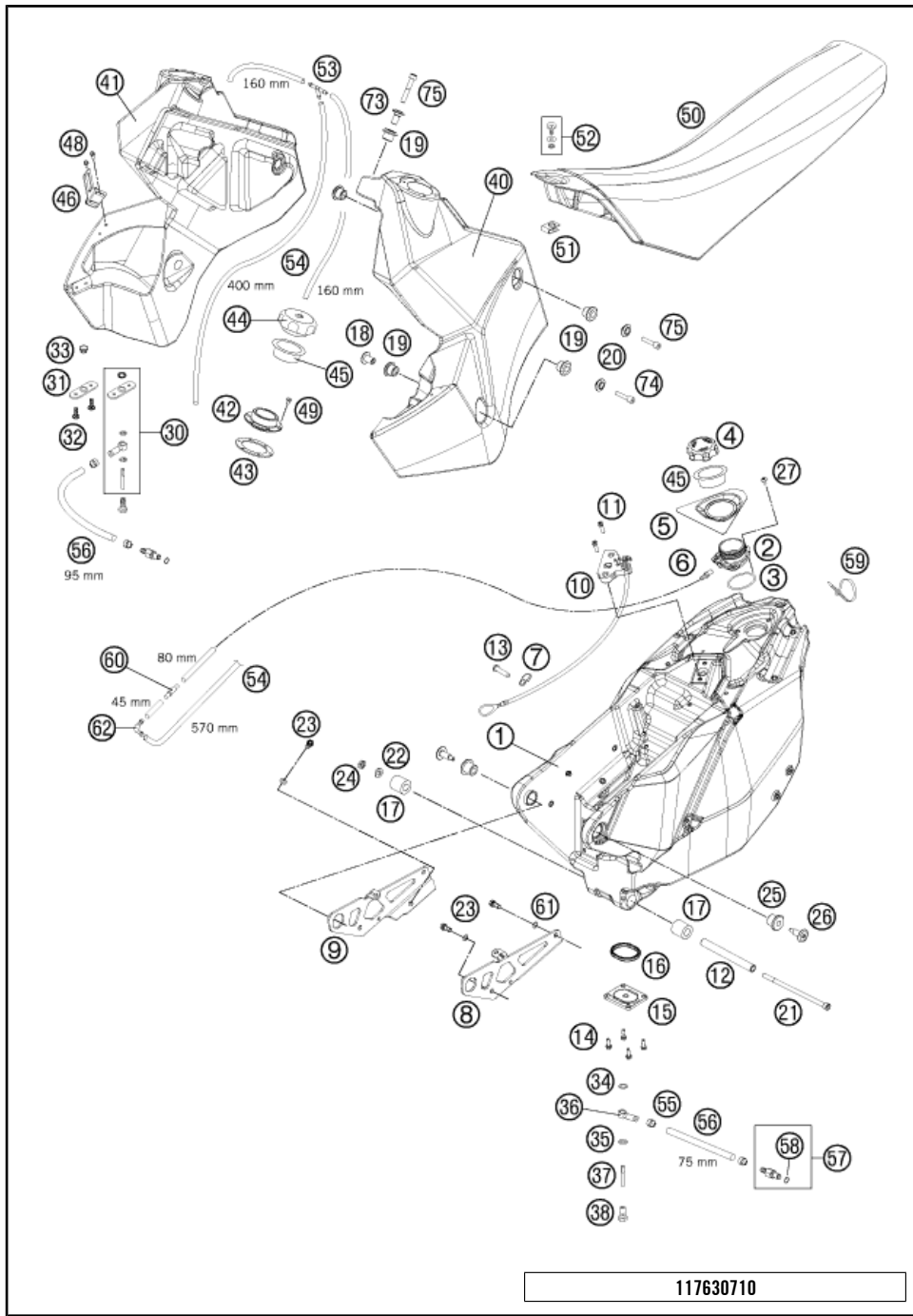
POS	PARTNUMBER	PARTNAME	PIECE
1*	7630721300028A	REARTANK WHITE	1
2	76307008151	FLANGE PLUG	1
3	0770050030	O-RING 50,00X3,00 VITON	1
4	76307008000	FILLER CAP TANK	1
5	76307008152	COVER TANK	1
6	58336020090	VACUUM CONNECTION M 6X1	1
7	76507053000	CLAMP F. CABLE SEAT LOCK	1
8	76307027000	SUPPORT REARTANK LEFT	1
9	76307028000	SUPPORT REARTANK RIGHT	1
10	76507050000	SEAT LOCK	1
11	0991060202	FLAT HEAD DIN7991-M 6X20	2
12	76307061000	BEARING BUSHING DOWN	1
13	0985040163	FLAT HEAD SCREW DIN7985-M 4X16	1
14	0025050166	HH COLLAR SCREW M5X16 TX30	4
15	76307081010	PLATE TANKFILTER	1
16	75007089001	MOLDED RING	1
17	76507065000	%RUBBER BEAR. BOX 12X24 L=24,5	2
18	58512063000	BUSHING SLEEVE IN.34MM 2001	2
19	56401040000	RUBBER BUSHING	10
20	58512062000	BUSHING SLEEVE OUT 2001	4
21	0912081403	AH SCREW DIN0912-M 8X140	1
22	0125080003	WASHER DIN0125-A 8,4	1
23	0025080166	HH COLLAR SCREW M8X16 TX40	6
24	0985080003	SELF LOCKING NUT DIN0985-M 8	1
25	76507066000	RUBB.BEAR.BOX 12x24x35 L=24,5	2
26	76507060000	BEARING BUSHING UP	2
27	78105081010	SCREW TORX M5X10	3
30	58507008000	FUEL CONNECTION CPL. 01	2
31	58507008050	FUEL FLANGE SHEET 01	2
32	0991050102	FLAT H.SCEW DIN7991-M5X10 10.9	6
33	0770120020	O-RING 12,00X2,00 NBR 70	4
34	0603101420	COPPER GASKET 10,2X14X2 MM 01	3
35	42013226000	CU-SEAL RING DIN7603-10X16X1	3
36	49138493000	RING COMPONENT 10/6MM	3
37	58507008010	FUEL FLANGE-STRAINER 03	3
38	58507025000	HOLLOW SCREW M10X1X24 RALLY 02	3
40*	7630701300028A	FUEL TANK CPL. FRONT L/S	1
41*	7630711300028A	FUEL TANK CPL. FRONT R/S	1

117630710

C127630710

* NEW PART

X ON DEMAND



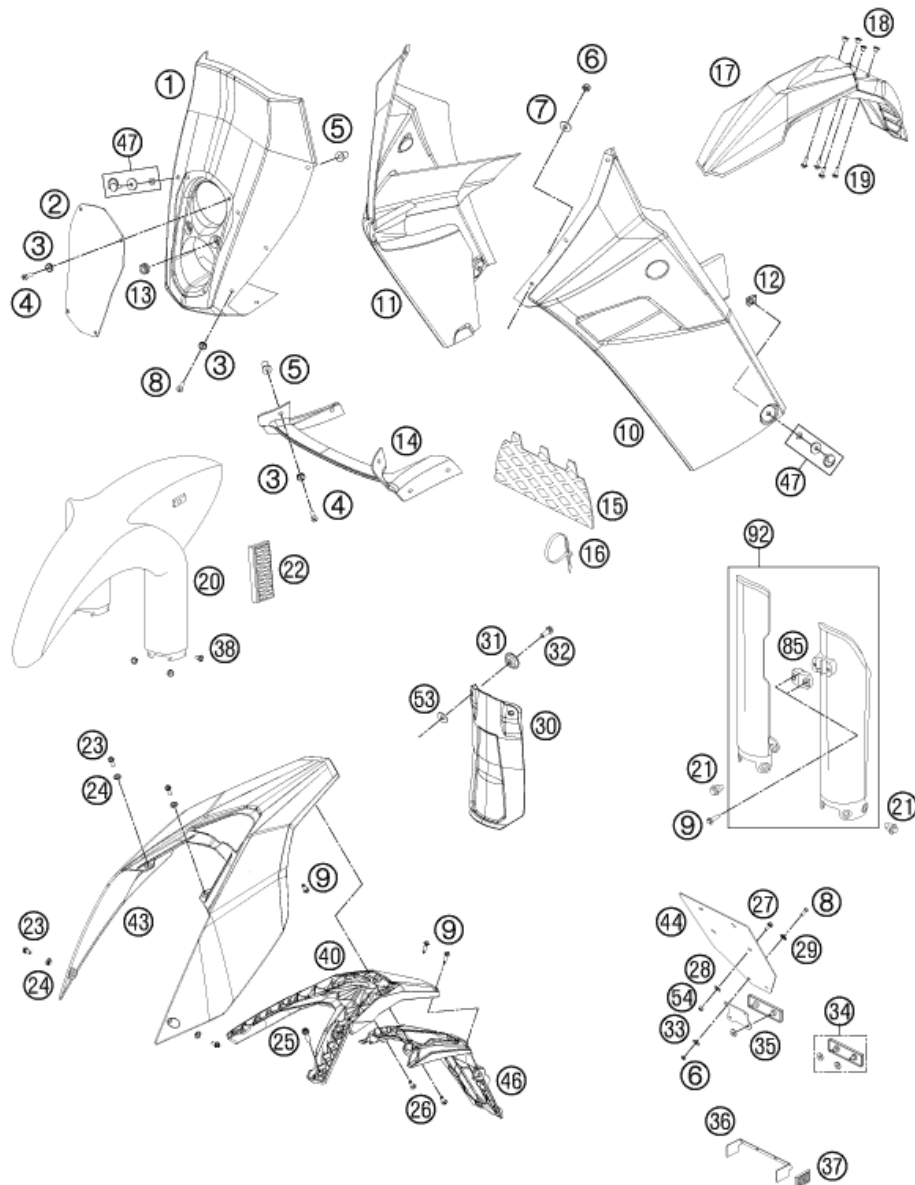
POS	PARTNUMBER	PARTNAME	PIECE
42	76207013007	FRONT FUEL TANK FILLER 07	2
43	76207013006	VITON SEAL FOR FRONT TANK 07	2
44	SXS03540700	* SXS FUEL TANK CAP	2
45	59007009000	GASKET FOR FILLER CAP HIGH	3
46	76307013003	BRACKET FOR FRONT MASK	2
48	0025050106	COLLAR SCREW M5X12 ISA30	4
49	0965040123	FLAT HEAD SCREW DIN0965-M 4X12	12
50	76307040000	SEAT RALLY	1
51	58307040552	CLIP	1
52	58307040551	QUICK RELEASE CPL. '96	1
53	58007015000	T-CONNECTOR FOR FUEL LINE	1
54	58507007001	HOSE 8X5MM RALLYE 03	x
55	58007117200	OETIKER HOSE CLAMP 13,3MM	4
56	58507116100	HOSE OG.ECO 1TBSE 7X13MM	x
57	5850701030030	PLUG CPC BLACK 05	2
58	58507012000	O-RING VITON F. PLUG CPC 05	2
59	44011076140	CABLE TIE 140/2,5MM BLACK	x
60	57307019000	VALVE FOR TANK BREATHING 02	1
61	36003014000	LOCK WASHER 8MM	6
62	76307029000	ANGLE PIECE	1
73	60007060000	BEARING BUSHING OUTSIDE 03	2
74	0912080553	AH SCREW DIN912 M8X55	2
75	0912080403	AH SCREW DIN912 M8X40	4

117630710

C127630710

* NEW PART

X ON DEMAND



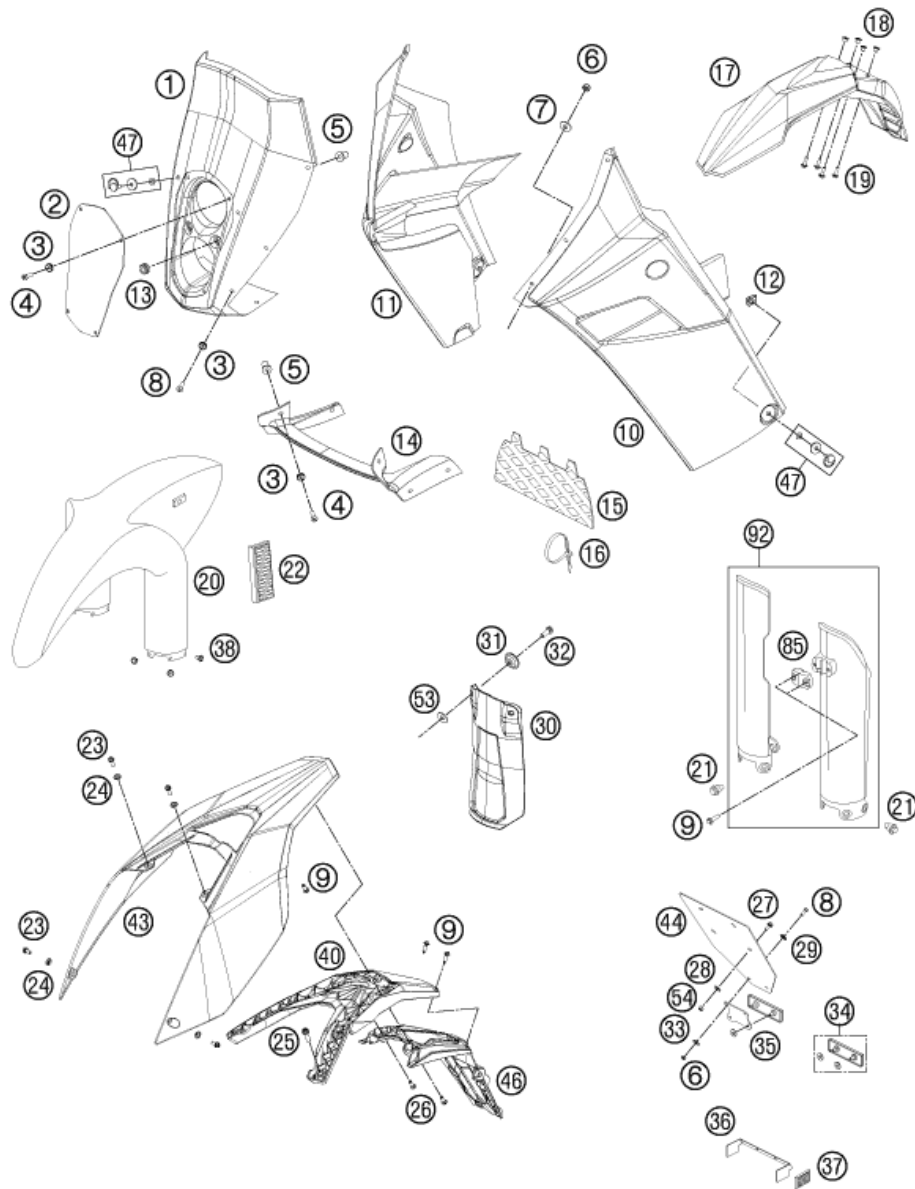
127630810

POS	PARTNUMBER	PARTNAME	PIECE
1*	7621100400028A	HEADLIGHT MASK WHITE 12	1
2	76214010020	HEADLIGHT PANE FRONT MASK	1
3	60008046000	SPECIAL WASHER D=12MM 03	18
4	0966050208	O.H.SCREW DIN0966-M 5X20 BLACK	4
5	60008008050	BLIND PLUG-IN NUT M5 WN 16A 03	10
6	0985050003	SELF LOCKING NUT DIN0985-M 5	10
7	0021050003	WASHER DIN9021-A 5,3	8
8	0966050163	OVAL HEAD SCREW DIN0966-M 5X16	8
9	0017060203	% EJOT PT SCREW K60X20 WS=6	5
10*	7631100300028A	FRONT MASK L/S WHITE 12	1
11*	7631100200028A	FRONT MASK R/S WHITE 12	1
12	45007040052	CLIP	4
13	31008060000	RUBBER SLEEVE D=8MM OPEN	2
14*	7631100402028A	AIR BAFFLE RALLY 11	1
15	76211004030	OIL RADIATOR GRID	1
16	44011076140	CABLE TIE 140/2,5MM BLACK	x
16	76311093200	CABLE TIE 200MM	x
17*	7730821000028	FRONT FENDER WHITE	x
18*	54808020000	SPACER BUSHING 03	4
19	0024060206	HH COLLAR SCREW M6X20 TX30	4
20*	5850801020028	FRONT FENDER RALLYE 12	1
21	59001092050	SPECIAL SCREW M6X12,5 WS=8	8
22	58412080100	REFLECTOR YELLOW '99	2
23	0025060126	HH COLLAR SCREW M6X12 TX30	4
24	76508043050	COLLAR BUSHING	4
25	0025080256	HH COLLAR SCREW M8X25 TX40	4
26	0017060303	SPECIAL SCREW T60 6X30 WS=6	2
27	0024060156	HH COLLAR SCREW M6X15 TX30	4
28	0125060003	WASHER DIN0125-A 6,4	4
29	40006006000	WASHER 6MM	2
30	76506010000	SPLASHBACK 08	1
31	72210079000	BUCKET	2
32	0025060166	HH COLLAR SCREW M6X16 TX30	2
33	0125050003	WASHER DIN0125-A 5,3	2
34	58412080000	REFLECTOR RED LC4 '98	1
35	58412080050	BRACKET FOR REFLECTOR	1
36	62512081000	BRACKET SIDE REFLECTOR 06	1
37	16512180100	SIDE REFLECTOR RED REAR	2

C127630810

* NEW PART

X ON DEMAND



POS	PARTNUMBER	PARTNAME	PIECE
38*	0024060106	HH COLLAR SCREW M6X10 TX30	6
40	76508016000	NUMBER PLATE CARRIER TOP 08	1
43	7650801300028	REAR PART WHITE	1
44	60012081200	LICENCE FITTING 06	1
46	76508016050	NUMBER PLATE LO. PART 08	1
47	45007040051	QUICK RELEASE CPL. 50 SXR '97	6
53	0021060003	WASHER DIN9021-A 6,4	2
54	0985060003	SELF LOCK. NUT DIN0985-M 6	4
85	59001085100	CLAMP F.SPEED.CABLE D=6MM 2001	1
92	5900109400030	%FORK PROTECT L/S+R/S BLACK 02	1

127630810

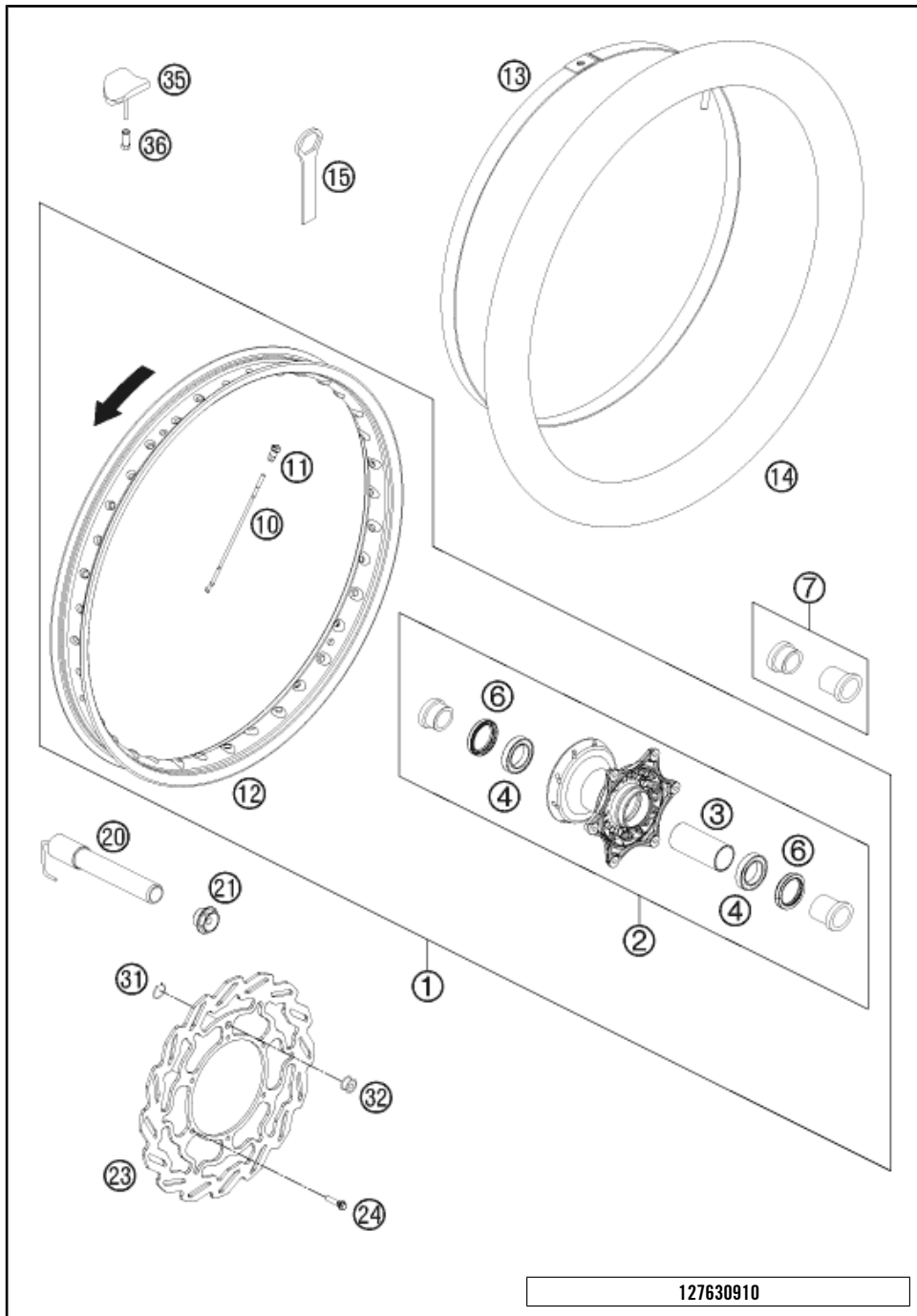
C127630810

* NEW PART

X ON DEMAND

FRONT WHEEL

450 RALLY FACTORY REPLICA 2012

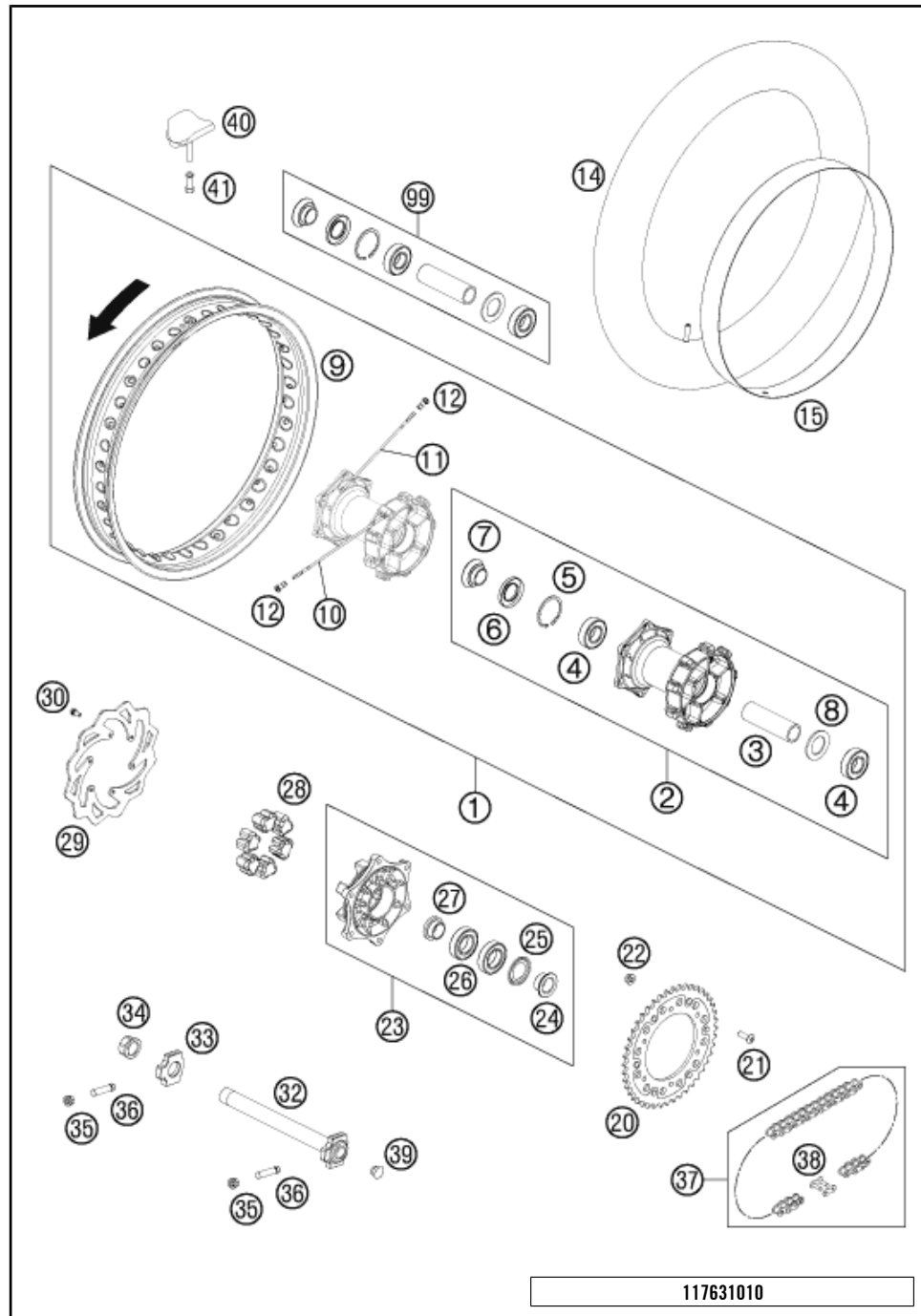


POS	PARTNUMBER	PARTNAME	PIECE
1*	7630900104430	FRONTWHEEL CPL.1,6X21EXCEL	1
2*	75309010044	FRONT HUB CPL. 08	1
3	54809011000	BEA.SPACERTUBE 35X2 L=79,4 03	1
4	0625069068	GR.BALL BEAR.6906 DDU2CG23S6NM	2
6	0760354771	SHAFT SEAL RING 35X47X7 TC	2
7	76209013044	SPACER BUSHING FRO. WHEEL 30MM	1
10	78009174226	SPOKE M4,5x226-21" 08	36
11	50309072100	SPOKE NIPPLE M4,5X0,75 8X21	36
12	7730907000030	RIM 1,6"x21" EXCEL SXS 08	1
13	50309073000	RIM BAND 21"	1
14	50309075000	TUBE 21"	1
15	76212060032	RING WRENCH 32MM	1
20	58509081100	FRONT AXLE D=30MM 04	1
21	76209082000	COLLAR SCREW FRONT AXLE WS32	1
23	58509060000	BRAKE DISC FRONT 07	1
24	59009062013	SPECIAL SCREW M6X13 WS=8 10.9	6
31	0471009104	CIRCLIP DIN0471- 9X1 INOX	1
32	54814069050	MAGNET FOR DIGITAL SPEEDOM. 03	1
35	51009100100	RIM LOCK VM1 (1,60")	x
36	50310090050	NUT FOR WHEEL HOLDER '96	x

127630910

C127630910

* NEW PART X ON DEMAND



POS	PARTNUMBER	PARTNAME	PIECE
1	76210001044	REAR WHEEL RALLY CPL.	1
2	75310010044	% REAR HUB CPL. 07	1
3	75310011000	BEARING SPACER TUBE L=106MM 07	1
4	0625062052	GR.BALL BEAR. 6205-2RSHC3HMTF7	2
5	0472052200	CIRCLIP DIN0472-52X2	1
6	0760305271	SHAFT SEAL RING 30X52X7	1
7	60110013000	SPACER BUSH. REAR WHEEL R/S 06	1
8	60010015000	SPACER RING 03	1
9	7621007000030	RIM 2.50X18"	1
10	75310072217	SPOKE M5X217-17G 18" DACRO	18
11	75310172207	SPOKE M5X207-27G 18" DACRO	18
12	58309072100	SPOKE NIPPLE M5-TA 8X21MM	36
14	50310075100	TUBE 110/100C-18	x
15	50310073200	RIM BAND 18" AND 19"	x
20	5841005104404	REAR SPROCKET ORANGE 44-T	x
20	5841005104604	REAR SPROCKET ORANGE 46 T.	x
20	5841005104804	REAR SPROCKET ORANGE 48-T	1
20	5841005104904	REAR SPROCKET ORANGE 49-T	x
20	5841005105004	REAR SPROCKET ORANGE 50-T	x
20	5841005105104	REAR SPROCKET ORANGE 51-T	x
21	0019080266S	COUNTER-SUNK SCREW ISA45 M8X26	6
22	54310086200	SELF LOCKING NUT M8 10.9	6
23	7501005004491	SPROCKET SUPPORT CPL. SILVER	1
24	60110012000	SPACER BUSH. SPROCKET SUPP. 06	1
25	60110016000	NILOS RING 6006AV	1
26	0625060060	BALL BEARING 6006 DDU2CG23S6NM	2
27	60110014000	SPACER BUSH. SPR. SUPP. IN. 06	1
28	54610459000	RUBBER DAMPING BLOCK '91	1
29*	60010060000	REAR BRAKE DISK D=240MM 03	1
30	59009062013	SPECIAL SCREW M6X13 WS=8 10.9	6
32	76210081044	WHEEL SPINDLE REAR CPL.	1
33	60010084000	CHAIN TENSIONER R/S LC8 03	1
34	60010086000	COLLAR NUT WH. SPINDLE REAR 03	1
35	58414030000	HH COLLAR NUT M10X1,25 WS=13	2
36	50304040100	SCREW M10X1,25X50 WS=10	2
37	78010167118	CHAIN DID 118 ROLLS	1
38	78010166100	RIVETING LINK FOR 78010167118	1
39	50210086000	COVERING CAP SFL16	1

117631010

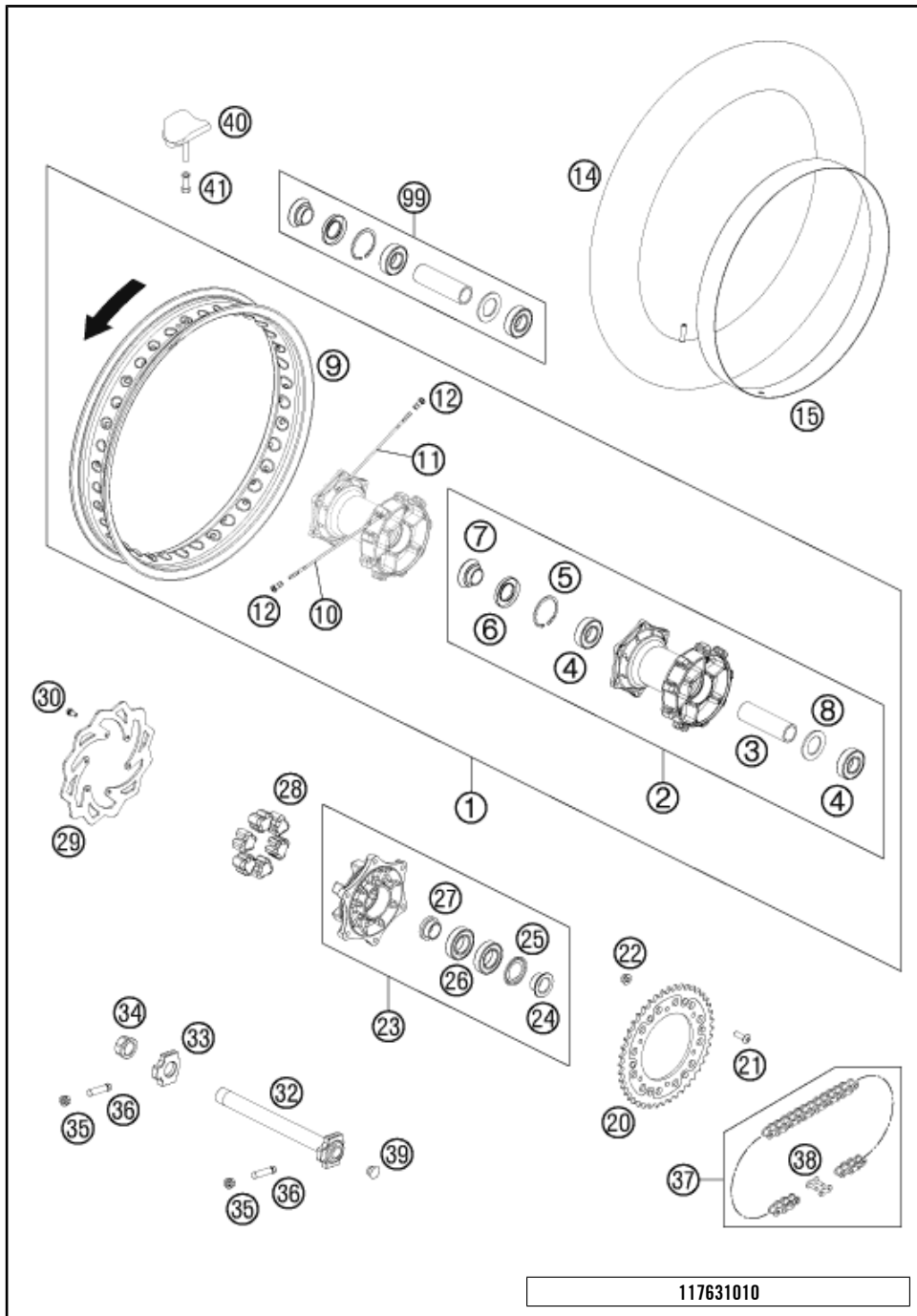
C127631010

* NEW PART

X ON DEMAND

REAR WHEEL

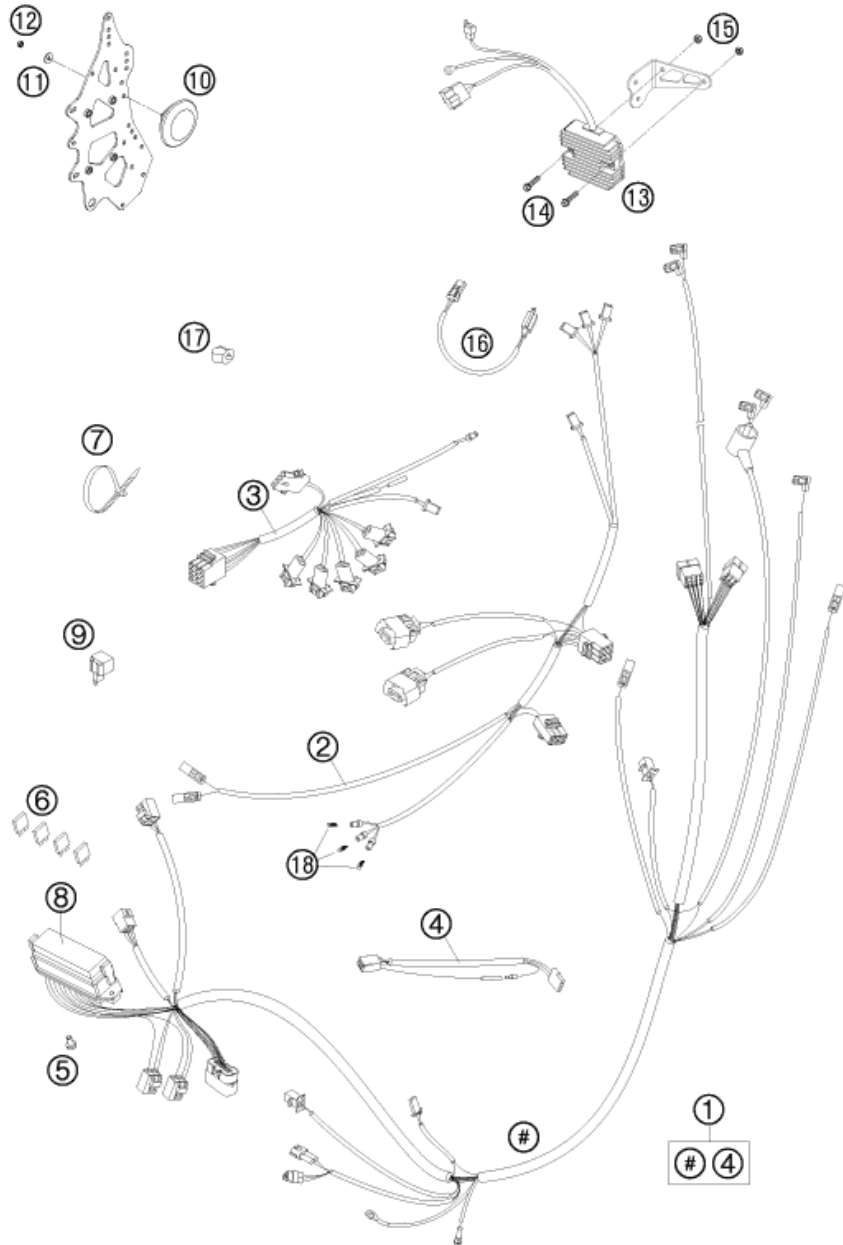
450 RALLY FACTORY REPLICA 2012



POS	PARTNUMBER	PARTNAME	PIECE
40	56410100100	RIM LOCK VM4 (2.50")	X
41	50310090050	NUT FOR WHEEL HOLDER '96	X
99	75010015000	REAR WHEEL REP. KIT	X

C127631010

* NEW PART X ON DEMAND



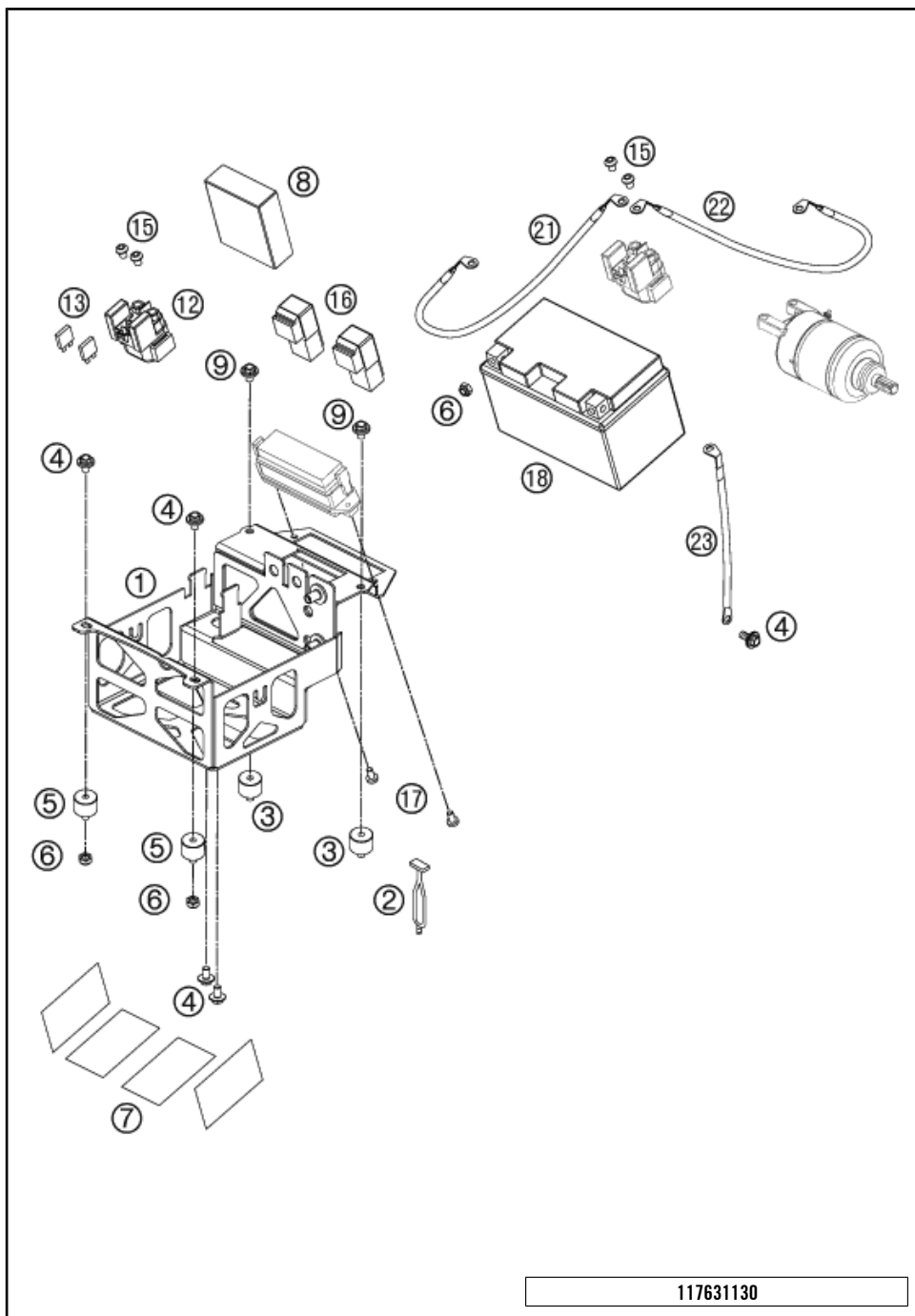
127631110

POS	PARTNUMBER	PARTNAME	PIECE
1	76311075000	MAIN WIRING HARNESS 11	1
2	76211077000	WIRING HARNESS LIGHT 07	1
3	76311078000	WIRING HARNESS INSTRUMENTS 11	1
4	76311075050	WIRING HARNESS REAR 11	1
5	0985050103	OVAL HEAD SCR. DIN7985-M 5X10	2
6	58011109105	FUSE 5 A 2003	x
6	58011109110	FUSE 10 A 2000	x
6	58011109115	FUSE 15 A	x
6	58011109120	FUSE 20 A	x
7	76311093200	CABLE TIE 200MM	x
7*	76311093280	CABLE TIE 280MM	x
8	58511075510	FUSE-BOX COVER	1
9	44611207200	FLASHER UNIT 97	1
10	50311060100	DC HORN L.E.B. 03	1
11	0021050003	WASHER DIN9021-A 5,3	1
12	0985050003	SELF LOCKING NUT DIN0985-M 5	1
13	60011034100	VOLTAGE REGULATOR	1
14	0025060306	HH COLLAR SCREW M6X30 TX30	2
15	0985060003	SELF LOCK. NUT DIN0985-M 6	2
16	76211077050	ADAPT.CABLE SPEEDOM.LIGHTING	1
17*	58111076000	CABLE SUPPORT KHS NR.150-47610	2
18	49111425200	BULB 12V 2,3W (W2X4,6D)	3

C127631110

* NEW PART

X ON DEMAND



POS	PARTNUMBER	PARTNAME	PIECE
1	76311054000	BATTERY BOX	1
2	50303018000	RUBBER L=145MM	1
3	76311056000	RUBBER GROMMET 15X15-M5X8	2
4	0024060106	HH COLLAR SCREW M6X10 TX30	4
5	43205062100	RUBBER GROMMET 20X15-M6X10 (1)	2
6	0985060003	SELF LOCK. NUT DIN0985-M 6	4
7	59003001099	METAMOLL 90X45X3MM 03	4
8	76339031000	CDI UNIT KOKUSAN 450 RALLY 11	1
9	0025050106	COLLAR SCREW M5X12 ISA30	2
12	76211058000	STARTER RELAY 07	1
13	58011109130	FUSE 30 A	2
15	0902060083	AH OVAL SCREW ISO 7380 M 6X8	2
16	58411057000	STARTER RELAY '96	2
17	0985050103	OVAL HEAD SCR. DIN7985-M 5X10	2
18	77311053200	% BATTERY 12V 4AH SXS-F	1
21	76311086000	BATTERY CABLE	1
22	76311059000	STARTER CABLE	1
23	76311097000	GROUND CABLE	1

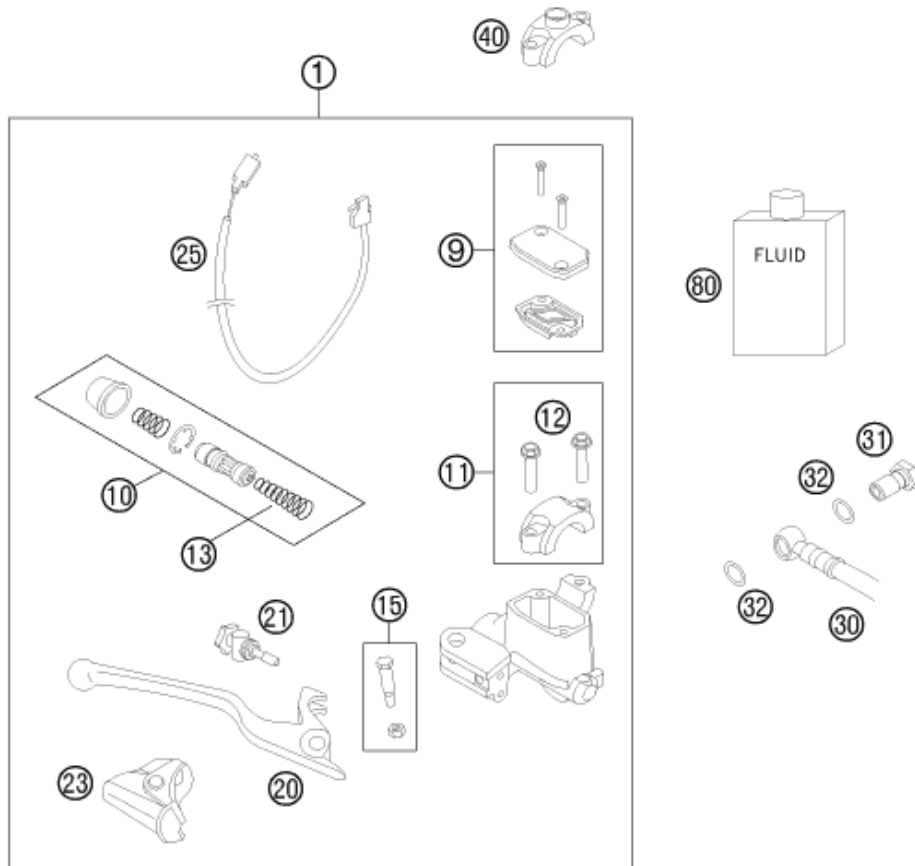
117631130

C117631130

* NEW PART X ON DEMAND

HAND BRAKE CYLINDER

450 RALLY FACTORY REPLICA 2012



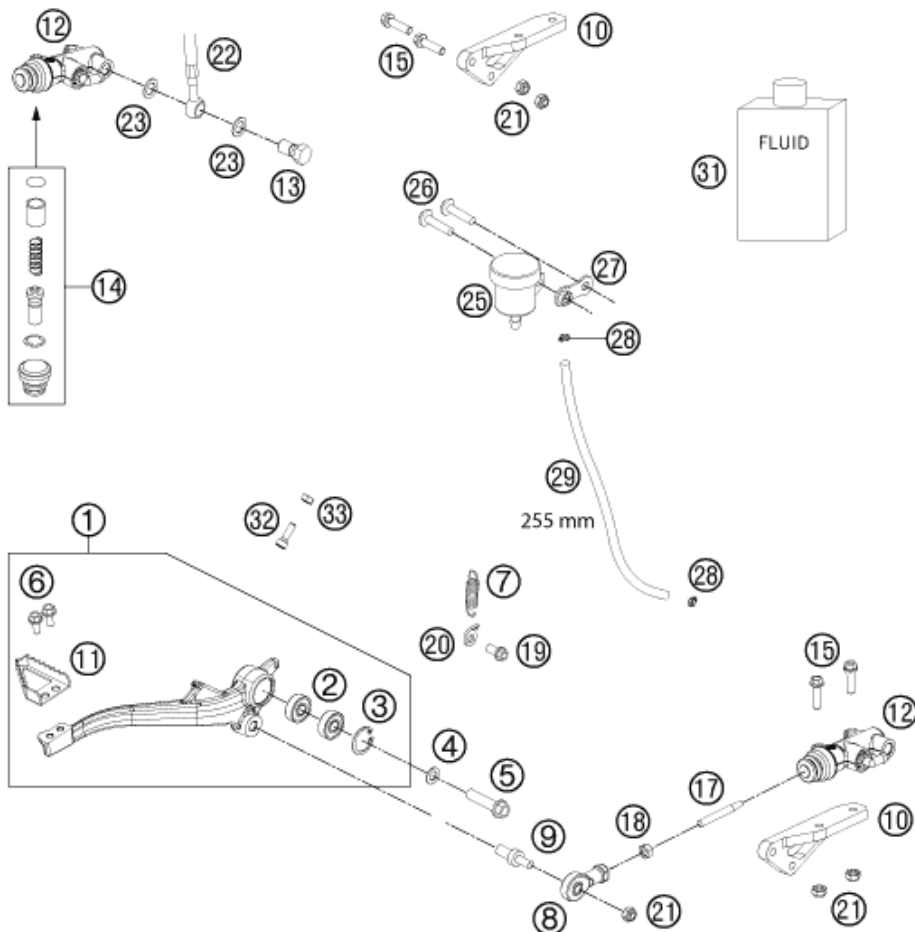
POS	PARTNUMBER	PARTNAME	PIECE
1	50313001200	HANDBRAKE CYL. NAT. SMALL 2004	1
9	50313003000	HANDBRAKE CYL. COVER CPL. NATURE	1
10	50313008300	REP.SET PISTON D=11 EXC 2001	1
11	50313005000	CLAMP CPL. NATURE	x
12	0025060256	HH COLLAR SCREW M6X25 TX30	2
13	50213050050	SPRING PISTON BRAKE FRONT 11MM	1
15	50313006100	LEVER SCREW CPL. 2001	1
20	50313002100	HANDBRAKE LEVER SHORT 2001	1
20	50313002000	HANDBRAKE LEVER 18MM 2000	x
21	50313007000	ADJUSTING SCREW CPL. SX 2000	1
23	50313004000	PROTECTION CAP HAND BRAKE CYL.	1
25	50311050100	BRAKE LIGHT SWITCH FRONT 2002	1
30	76213011000	BRAKE HOSE FRONT 1300MM	1
31	54813020100	HOLLOW SCREW BLACK M10X1X19	1
32	0603100141	COPPER GASKET DIN7603-10X14X1	2
40	58012040150	CLAMP FOR MIRROR '94	1
80	00062030000	BRAKE FLUID DOT5.1 0,25L	1

117631310

C117631310

* NEW PART

X ON DEMAND



POS	PARTNUMBER	PARTNAME	PIECE
1	76213050044	FOOT BRAKE LEVER CPL. 08	1
2	0625006087	GROOVED BALL BEAR. 608 2RS C3	2
3	0472022100	CIRCLIP DIN0472-22X1	1
4	36003014000	LOCK WASHER 8MM	1
5	0025080256	HH COLLAR SCREW M8X25 TX40	1
6	0025050126	HH COLLAR SCREW M5X12 TX30	2
7	54603062000	RETURN SPRING FOR BRAKE LEVER	1
8	54603069000	SWIVEL HEAD M6 FOOT BRAKE LEV.	1
9	58503060050	BRAKE LEVER AXLE RALLY 2001	1
10	76203045000	ADAPTER REAR MAIN BRAKE CYL.	1
11	76213051010	BRAKE LEVER PEDAL LARGE RALLY	1
12	76213060000	FOOT BRAKE CYLINDER REAR	1
13	54813020100	HOLLOW SCREW BLACK M10X1X19	1
14	54513150000	REPAIR KIT PISTON 13MM	1
15	0025060256	HH COLLAR SCREW M6X25 TX30	4
17	76203068000	PUSH ROD MAIN BRAKE CYLINDER	1
18	0934060003	HEXAGON NUT DIN0934-M 6	1
19	0025060106	HH COLLAR SCREW M6X10 TX30	1
20	51005074000	RETAINING PLATE	1
21	0985060003	SELF LOCK. NUT DIN0985-M 6	5
22	76213070000	BRAKE HOSE REAR	1
23	0603100141	COPPER GASKET DIN7603-10X14X1	2
25	54513030044	BRAKE FLUID RESERVOIR '89	1
26	0024060106	HH COLLAR SCREW M6X10 TX30	2
27	45208007050	RETAINING PLATE F. NUMBER PL.	1
28	58007017000	YDNAC CLAMP 10101 (10,4MM)	2
29	76213061000	HOSE FOR BRAKE FLUID RESERVOIR	1
31	00062030000	BRAKE FLUID DOT5.1 0,25L	1
32	0025050256	HH COLLAR SCREW M5X25 ISA30	1
33	0934050003	HEXAGON NUT DIN0934-M 5	1

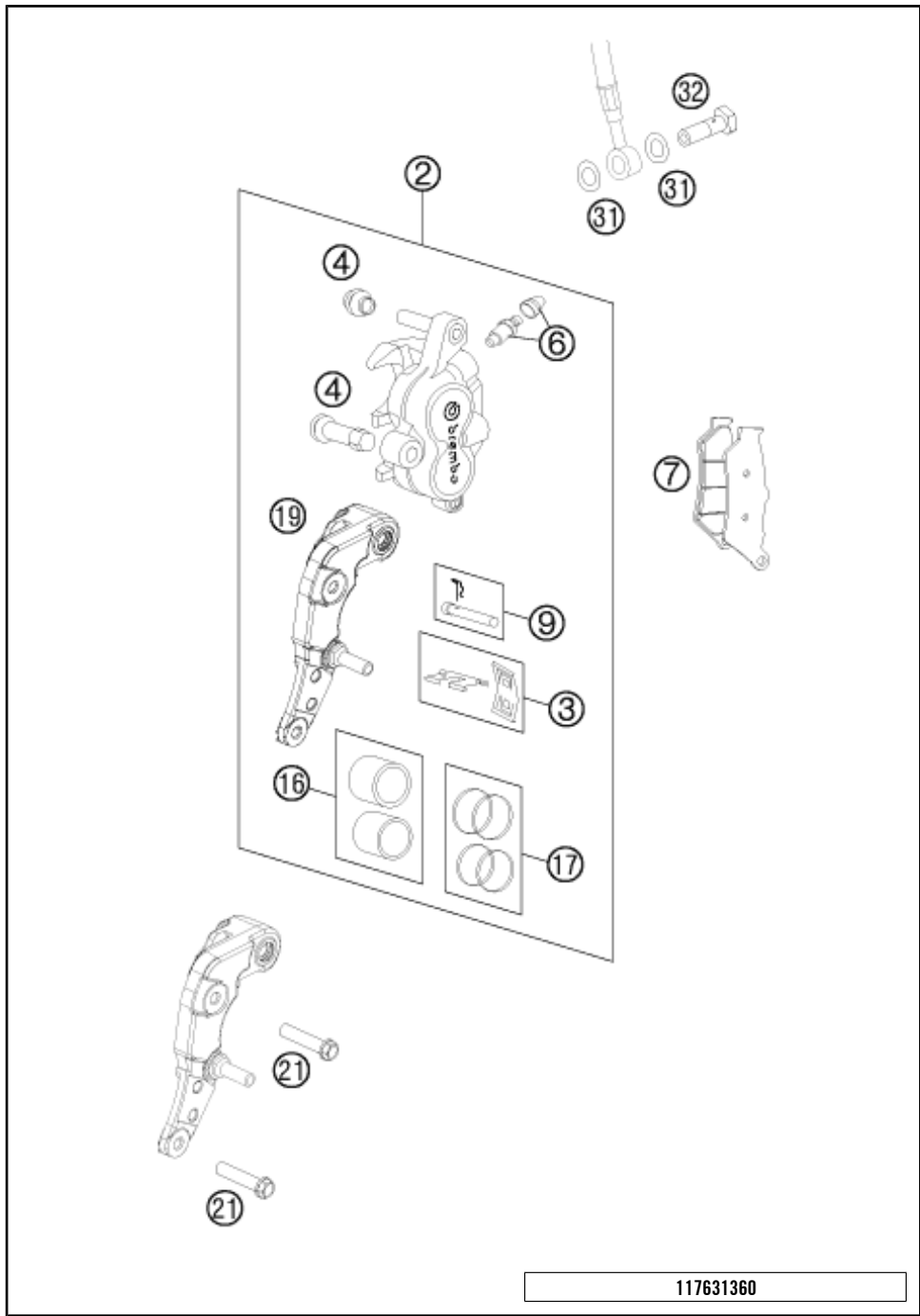
117631330

C117631330

* NEW PART X ON DEMAND

BRAKE CALIPER FRONT

450 RALLY FACTORY REPLICA 2012



POS	PARTNUMBER	PARTNAME	PIECE
2	7621301500101	BRAKE CAL. FR. - WITHOUT PADS	1
3	60013018000	RETAINING PLATE SET FRONT 03	1
4	54613218000	CUP SET SHORT	1
6	60013020000	BLEEDER SCREW WITH CAP	1
7	60013030000	BRAKE PADS TOSHIBA TT 2172 HHA	1
9	60013017000	BOLT SET L/S	1
16	60013083000	BRAKE PISTONS 30/32MM	2
17	60013019000	REP.KIT SEALING RINGS 30/32MM	2
19	76213049000	BRAKE CALIPER SUPPORT FR. L/S	1
21	0025080356	HH COLLAR SCREW M8X35 TX40	2
31	0603100141	COPPER GASKET DIN7603-10X14X1	1
32	54813020100	HOLLOW SCREW BLACK M10X1X19	1

117631360

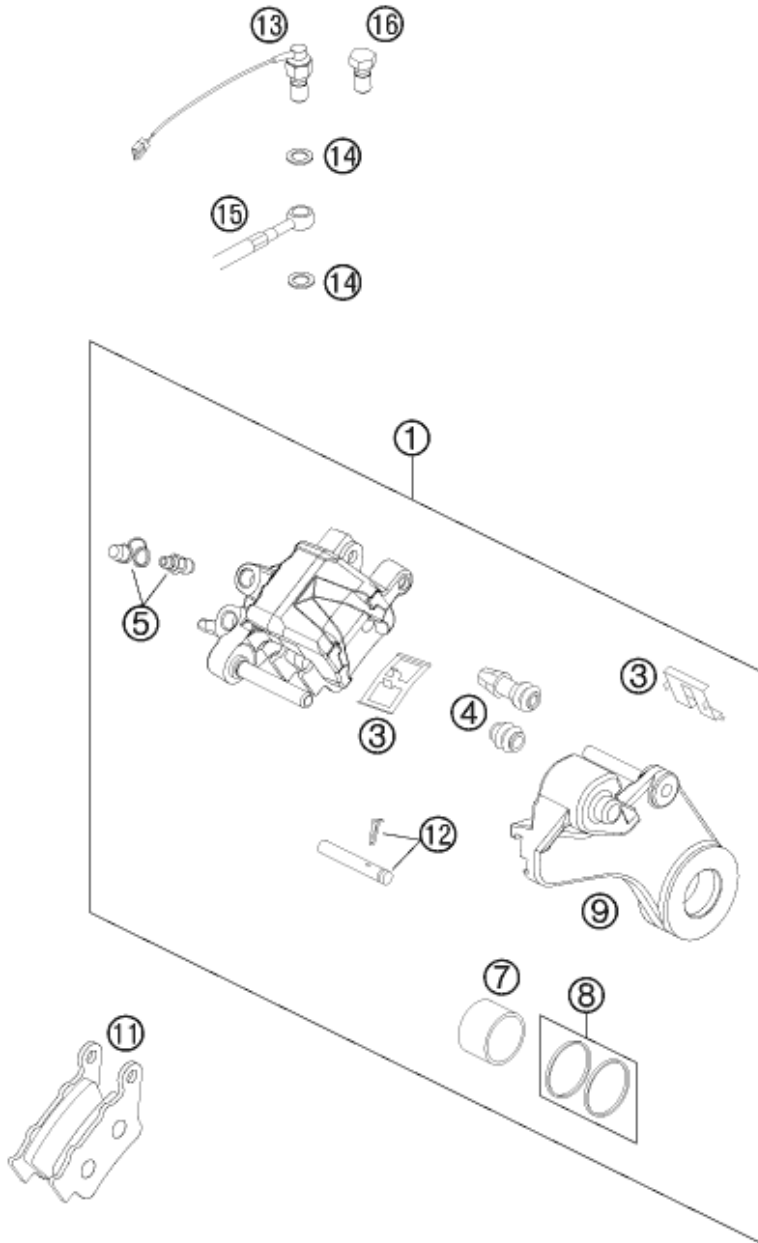
C117631360

* NEW PART

X ON DEMAND

BRAKE CALIPER REAR

450 RALLY FACTORY REPLICA 2012



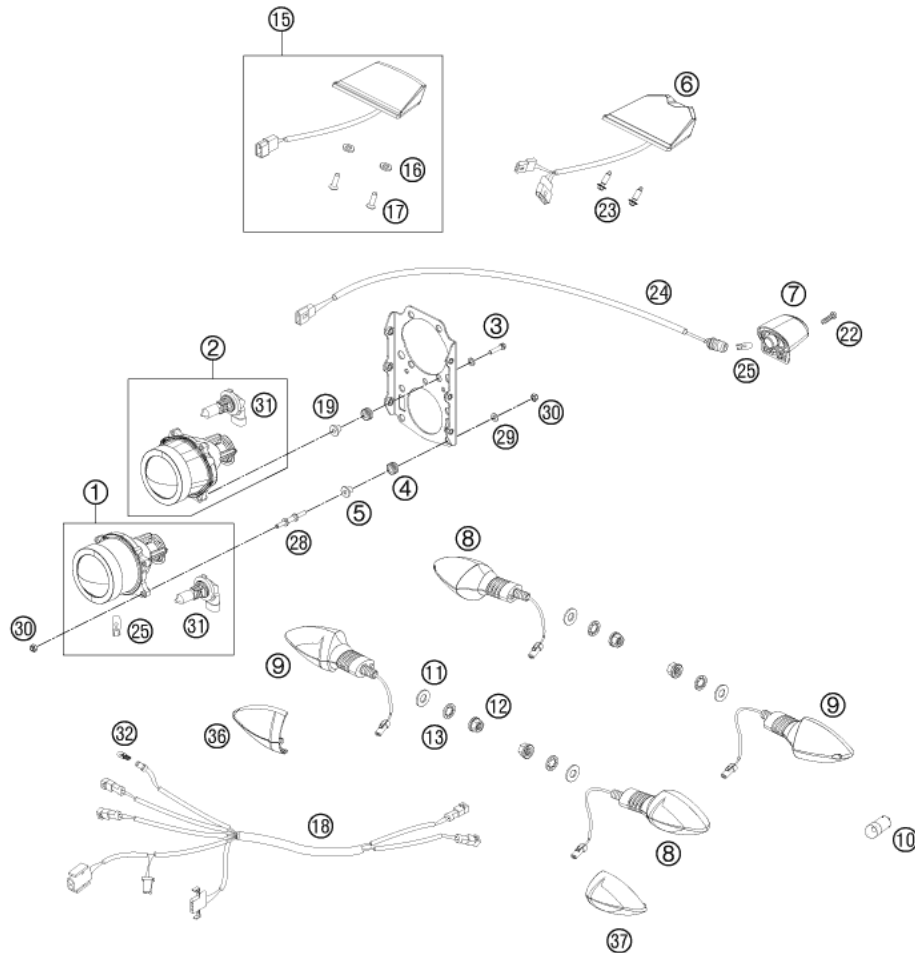
POS	PARTNUMBER	PARTNAME	PIECE
1	7651308000101	BRAKE CALIPER - WITHOUT PADS	1
3	54613311200	RETAINING SPRING SET	1
4	54613218000	CUP SET SHORT	1
5	61013020200	BLEEDER SCREW WITH CAP	1
7	50313083000	BRAKE PISTON 32MM	1
8	50313081000	REPAIR KIT SEALING RINGS 32MM	1
9	76513075000	BRAKE CALIPER SUPPORT REAR 08	1
11	54613309200	BRAKE PAD SET FERIT ID450FF	1
12	61013082000	BOLT SET 05	1
13	58511051100	BRAKE LIGHT SWITCH LONG	1
14	0603100141	COPPER GASKET DIN7603-10X14X1	2
15	76213070000	BRAKE HOSE REAR	1
16	54813020100	HOLLOW SCREW BLACK M10X1X19	x

117631390

C117631390

* NEW PART

X ON DEMAND



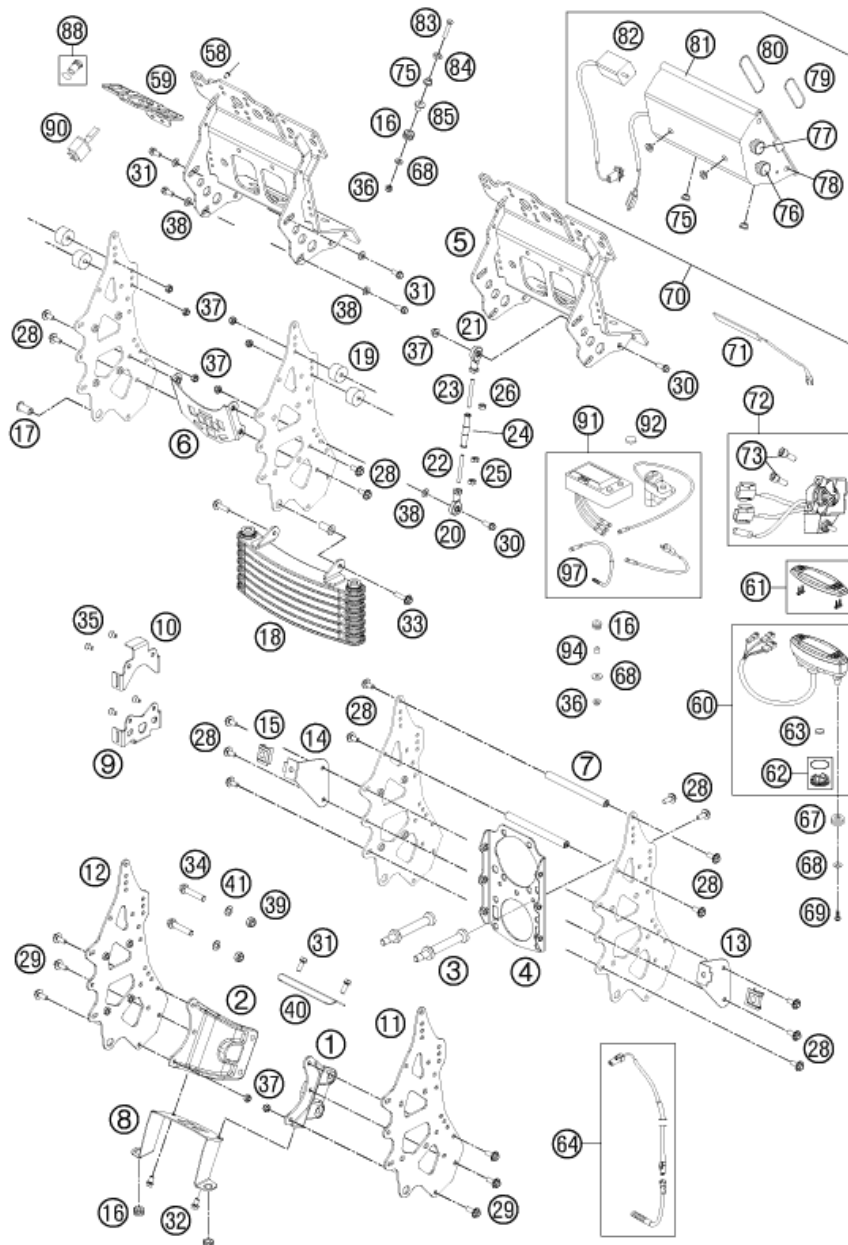
POS	PARTNUMBER	PARTNAME	PIECE
1	76214001000	HEADLIGHT HIGH BEAM 07	1
2	76214002000	HEADLIGHT LOW BEAM 07	1
3	0024060206	HH COLLAR SCREW M6X20 TX30	4
4	31008060000	RUBBER SLEEVE D=8MM OPEN	8
5	60014007000	SPACER BUSHING HEAD LIGHT 03	4
6	76514040000	REAR LIGHT	1
7	75014047000	LICENSE PLATE ILLUMINATION 07	1
8	78114025000	FLASHER CPL.FRONT L/S REAR R/S	2
9	78114026000	FLASHER CPL.FRONT R/S REAR L/S	2
10	60114027000	BULB 12V ORANGE (RY10W)	4
11	0125100003	WASHER DIN0125-A10,5	4
12	58414030000	HH COLLAR NUT M10X1,25 WS=13	4
13	0797100003	LOCK WASHER DIN6797-J10,5 ZI	4
15	76314040044	ADDITIONAL REAR LIGHT CPL.	1
16	77332036004	WASHER 5,3X12X0,5	2
17	0985050103	OVAL HEAD SCR. DIN7985-M 5X10	2
18	76211080000	WIRING HARNESS FLASHER 07	1
19	58314060050	SPACER BUSH. F. SPEEDOMET.BRA.	4
22	0081250181	SCREW FOR PLASTIC 50X18 T20	1
23	0017060203	% EJOT PT SCREW K60X20 WS=6	2
24	76511078000	WIRING HARN. LIC. PLATE ILLUM.	1
25	49011435100	BULB 12V 5W (W2,1X9,5D) PHIL.	2
28	76214010015	SPACING MANDREL	4
29	0125050003	WASHER DIN0125-A 5,3	12
30	0985050003	SELF LOCKING NUT DIN0985-M 5	8
31	58714003000	BULB HB3 12V 60W '99	2
32	49111425200	BULB 12V 2,3W (W2X4,6D)	1
36	78114028000	FLASHER LENS L/S R/S TRANSP.	2
37	78114027000	FLASHER LENS FRO.L/S-REAR R/S	2

117631410

C117631410

* NEW PART

X ON DEMAND



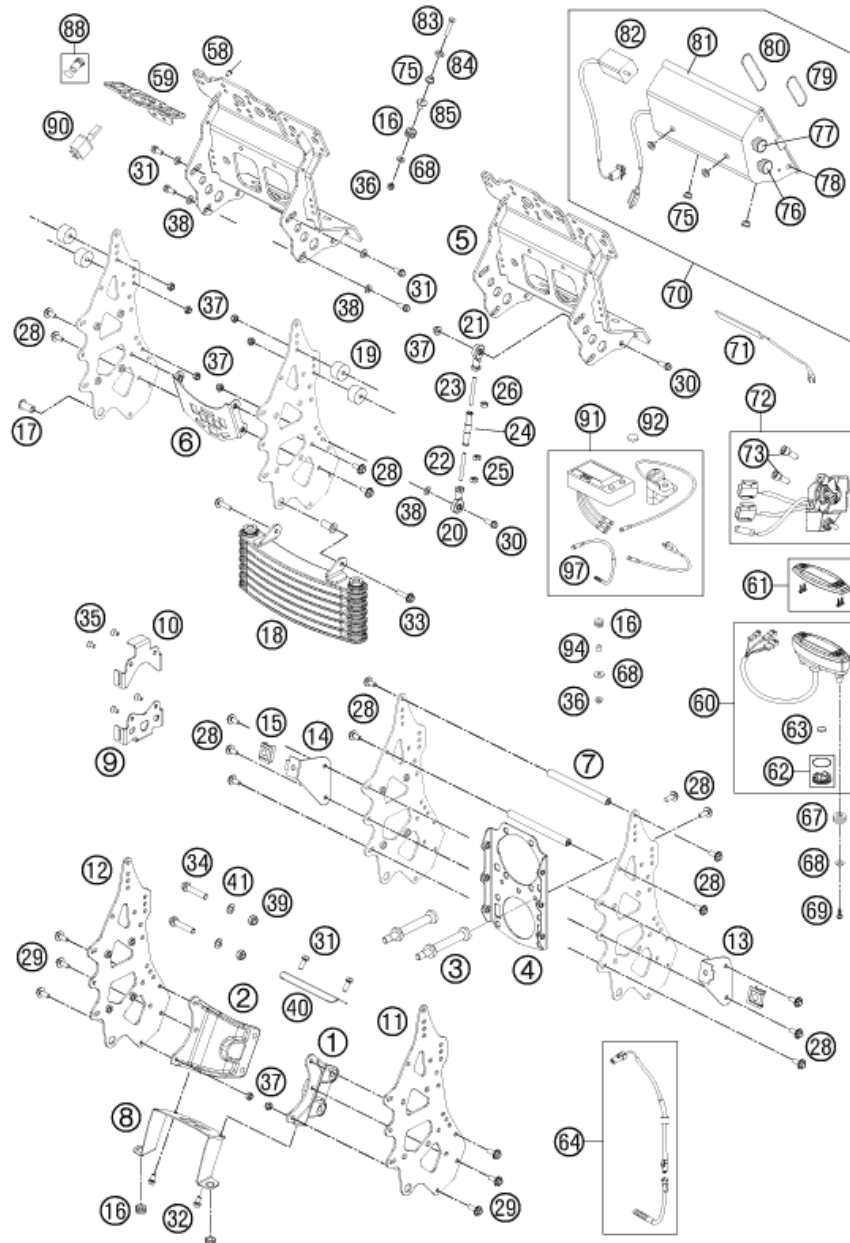
127631430

POS	PARTNUMBER	PARTNAME	PIECE
1	76212090040	ATTACHMENT FOR NAVI SUPP. L/S	1
2	76212090050	ATTACHMENT FOR NAVI SUPP. R/S	1
3	76214010010	FRONT MASK MOUNTING MANDREL	2
4	76214010033	HEADLIGHT ATTACHMENT	1
5*	76312091020	ROADBOOK SUPPORT	1
6	76212090033	STIFF JOINT NAVI. SUPPORT CPL.	1
7	76212090015	BRACING NAVIGATION DEVICE	2
8	76212090060	OIL RADIATOR SUPPORT PLATE	1
9	76212091070	BALIS SUPPORT LOWER PART 08	1
10	76212091080	BALIS SUPPORT UPPER PART	1
11	76212090010	MOUNTING PLATE NAVIGAT. DEVICE	1
12	76212090013	MOUNT. PLATE NAV. DEVICE RIGHT	1
13	76214010030	RETAINING PLATE FRONT MASK LE	1
14	76214010040	RETAINING PLATE FRONT MASK RI	1
15	45007040052	CLIP	2
16	31008060000	RUBBER SLEEVE D=8MM OPEN	8
17	76212090070	INSULATED SCREW JOINT M6	2
18	76238000000	OIL COOLER	1
19	76212092031	RUB. GROM. 25X15XTYP B CPL.	4
20	76212092010	IGUS (KBRM-06) SWIVEL HEAD RI	2
21	76212092020	IGUS (KBLM-06) SWIVEL HEAD LE	2
22	76212090016	CONNECTING ROD M6X45	2
23	76212090017	CONNECTING ROD M6X45 L.H.THRE.	2
24	76212092040	ADJUSTING NUT CPL.	2
25	0934060003	HEXAGON NUT DIN0934-M 6	4
26	0934060013	HEXAGON NUT DIN0934-M 6 LH	2
28	0024060106	HH COLLAR SCREW M6X10 TX30	14
29	0014060133	% HH COLLAR SCREW M 6X13 WS=8	6
30	0025060206	HH COLLAR SCREW M6X20 TX30	4
31	0025060126	HH COLLAR SCREW M6X12 TX30	6
32	0025060106	HH COLLAR SCREW M6X10 TX30	2
33	0024060206	HH COLLAR SCREW M6X20 TX30	2
34	0025080556	HH COLLAR SCREW M8X55 TX40	2
35	0991060103	FLAT HEAD SCREW DIN7991 M6X10	4
36	0985050003	SELF LOCKING NUT DIN0985-M 5	6
37	0985060003	SELF LOCK. NUT DIN0985-M 6	14
38	0125060003	WASHER DIN0125-A 6,4	6
39	0985080003	SELF LOCKING NUT DIN0985-M 8	2

C127631430

* NEW PART

X ON DEMAND



127631430

POS	PARTNUMBER	PARTNAME	PIECE
40	76212090035	COVER FOR NAVIGATION SUPPORT	1
41	0125080003	WASHER DIN0125-A 8,4	2
58	0011401001	RIVET	4
59	76212091050	ANTENNA-SUPPORT	1
60	54814069000	SPEEDOMETER KM/H F. 21" 2005	1
61	54814069020	SPEEDOMETER TOP PART 05	1
62	54814069010	BATTERY COVER F. SPEEDOM. 2005	1
63	58314068000	BATTERY F. SPEEDOM. M.A.E. 02	1
64	54814068100	CABLE FOR DIGITAL SPEEDOM. 06	1
67	58214069051	RUBBER GROMMET 16X10,8X3 02	2
68	0021050003	WASHER DIN9021-A 5,3	8
69	0081050121	SCREW FOR PLASTIC K50X12 T20	2
70	76212098044	ROADBOOK CPL. 2008	1
71	76212098000	LIGHT DIODE CPL.RALLYE	1
72	76212175044	ROADBOOK SWITCH CPL. 09	1
73	0912060163	AH SCREW DIN0912-M 6X16	2
75	50213161000	COLLAR BUSHING	4
76	58512074040	ALU-BUTTON BASE F. ROADBOOK 03	1
77	58512074030	ALU-BUTTON TOP FOR ROADBOOK 03	1
78	58512074050	PLASTIC BUSHING F. ROADBOOK 03	7
79	58512074060	O-RING FOR ROADBOOK SHORT 03	1
80	58512074070	O-RING FOR ROADBOOK LONG 03	1
81	58512074020	PLASTIC COVER FOR ROADBOOK 03	1
82	58512074044	ROADBOOK ENGINE CPL. 03	1
83	0991050253	FLAT HEAD SCREW DIN7991-M 5X25	4
84	40006006000	WASHER 6MM	4
85	60014007000	SPACER BUSHING HEAD LIGHT 03	4
88	58011025000	OIL INDICATOR LIGHT RED OIL-PRESSURE INDICATOR	1
88	58011021300	H.BEAM INDICATOR LIGHT BLUE'98	1
88	58011024300	FLASHER INDICAT.LIGHT GREEN'98	1
90	58511069100	SWITCH ON/OFF RALLYE 03	1
91	58512085100	TRIPMASTER ICO RALLYE 04	1
92	58512085160	BATTERY FOR ICO TRIPMASTER 04	2
94	58011039000	SPACER BUSHING 6,5 X 8 X 7	2
97	58512090150	SENSORKIT ITEM NR. 124 05	1

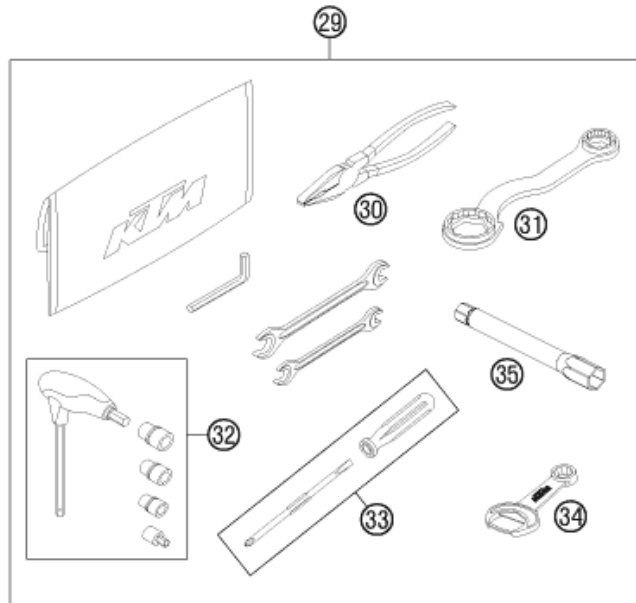
C127631430

* NEW PART

X ON DEMAND

0
OHNE ABBILDUNG
WITHOUT ILLUSTRATION

1
TECHNISCHE DOKUMENTATION
TECHNICAL DOCUMENTATION
DOCUMENTACION TECNICA
DOCUMENTATION TECHNIQUE
NOTE TECHNICHE



POS	PARTNUMBER	PARTNAME	PIECE
0	58412040100	%REAR MIRROR L/S+R/S LC4 2001	2
0	50302030150	CLAMP WITH PIN 2000	1
0	312305	DOCUMENTS BAG 2006	1
0	312313	KTM BALLPOINT PEN ORANGE	1
0	3210039	* CUSTOMER WELCOME LETTER	1
0	76212060032	RING WRENCH 32MM	1
0	50311029000	FLASHER SWITCH CEV '98	1
0	13011070060	ADAPTER FOR FLASHER SWITCH '98	1
0	0084040223	CYL.HEAD SCREW DIN0084-M 4X22A	2
0	54814068100	CABLE FOR DIGITAL SPEEDOM. 06	1
0	76508016050	NUMBER PLATE LO. PART 08	1
0	77005009033	CATALYST WELDED EXC 08	1
0	78114026000	FLASHER CPL.FRONT R/S REAR L/S	2
0	78114025000	FLASHER CPL.FRONT L/S REAR R/S	2
0	58414030000	HH COLLAR NUT M10X1,25 WS=13	4
0	0797100003	LOCK WASHER DIN6797-J10,5 ZI	4
0	0125100003	WASHER DIN0125-A10,5	4
0	44611207200	FLASHER UNIT 97	1
0	58011024300	FLASHER INDICAT.LIGHT GREEN'98	1
0	76211080000	WIRING HARNESS FLASHER 07	1
0	0985060003	SELF LOCK. NUT DIN0985-M 6	4
0	60008046000	SPECIAL WASHER D=12MM 03	4
0	0125050003	WASHER DIN0125-A 5,3	2
0	58412080000	REFLECTOR RED LC4 '98	1
0	58412080050	BRACKET FOR REFLECTOR	1
0	76214010020	HEADLIGHT PANE FRONT MASK	1
0	0966050208	O.H.SCREW DIN0966-M 5X20 BLACK	4
0	0934040003	HEXAGON NUT DIN0934-M 4	2
0	0081050121	SCREW FOR PLASTIC K50X12 T20	2
0	0017060303	SPECIAL SCREW T60 6X30 WS=6	2
0	54814069000	SPEEDOMETER KM/H F. 21" 2005	1
0	58214069051	RUBBER GROMMET 16X10,8X3 02	2
0	75014047000	LICENSE PLATE ILLUMINATION 07	1
0	0081250181	SCREW FOR PLASTIC 50X18 T20	1
0	76511078000	WIRING HARN. LIC. PLATE ILLUM.	1
0	49011435100	BULB 12V 5W (W2,1X9,5D) PHIL.	1
0	76204015000	SWING BOLT PIN	1
0	60008008050	BLIND PLUG-IN NUT M5 WN 16A 03	4

117632000

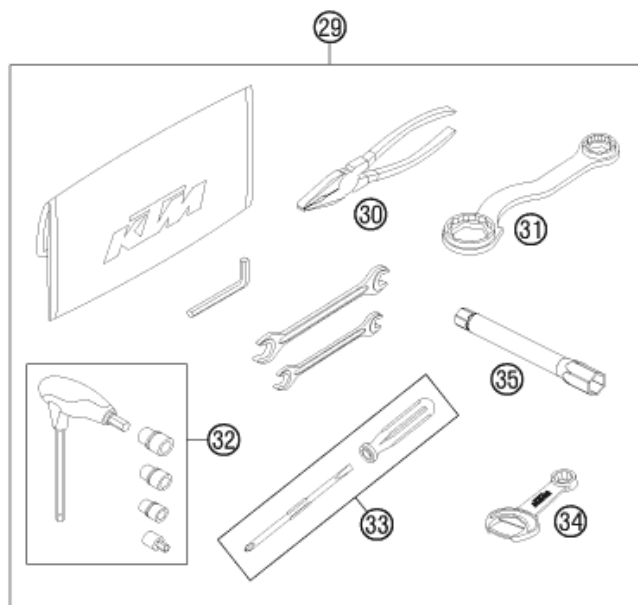
C127632000

* NEW PART

X ON DEMAND

0
OHNE ABBILDUNG
WITHOUT ILLUSTRATION

1
TECHNISCHE DOKUMENTATION
TECHNICAL DOCUMENTATION
DOCUMENTACION TECNICA
DOCUMENTATION TECHNIQUE
NOTE TECNICHE



POS	PARTNUMBER	PARTNAME	PIECE
0	7730821000028	FRONT FENDER WHITE	1
0	77308010099	MOUNTING KIT FRONT FENDER	1
0	5900109400030	%FORK PROTECT L/S+R/S BLACK 02	1
0	59001092050	SPECIAL SCREW M6X12,5 WS=8	6
1	3211726EN	OWN.MAN. 450 RALLY FAC.REP. 12	1
29	76329099000	TOOL SET RALLY 11	1
30	53012028200	GRIP ORANGE B&F	1
31	50329080100	WRENCH SW=17/21/27/32 B&F	1
32	60029070200	% T-WRENCH WS=6/8/10 TX=45 B&F	1
33	53012024100	SCREW DRIVER L=105MM	1
34	50329071100	WRENCH WS=13 B&F + OPENER	1
35	77329072000	SPARK PLUG WRENCH	1

117632000

C127632000

* NEW PART

X ON DEMAND

WWW.KTM.COM



KTM-Sportmotorcycle AG
5230 Mattighofen, Austria
www.ktm.com



KTM_POWERPARTS

KTM_POWERWEAR

KTM_ORIGINAL SPARE PARTS



3CF 9399L8EN

Art. Nr.: 3CF 9399L8EN 25. Mär 2014