

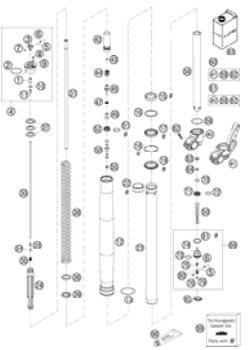
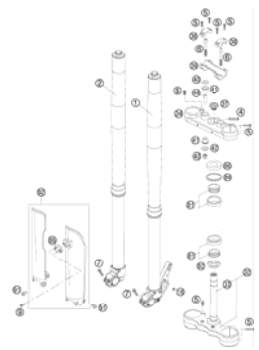
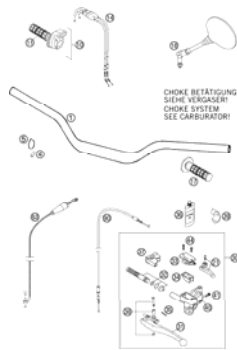
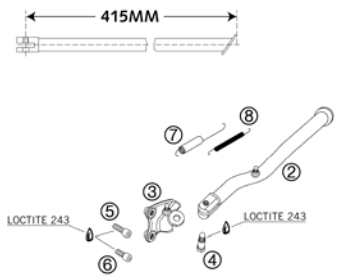

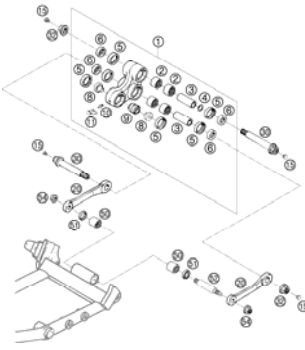
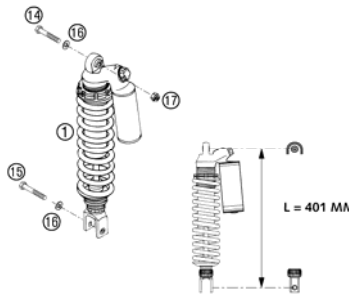
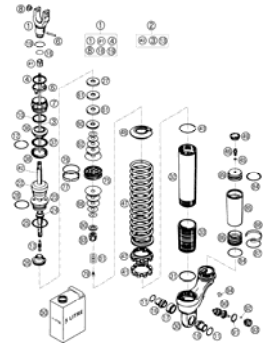

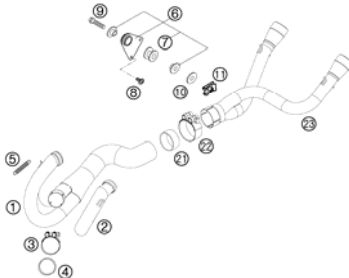
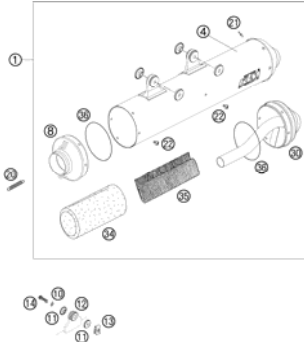
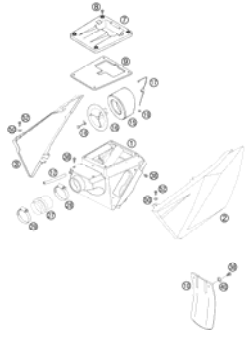
## SPARE PARTS MANUAL: CHASSIS

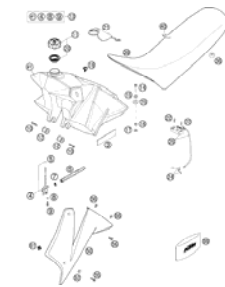

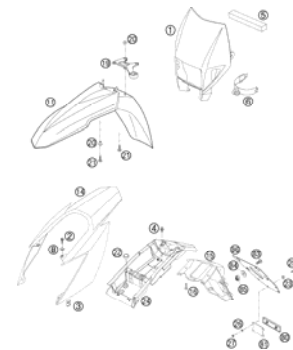
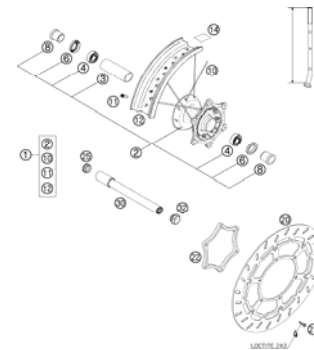
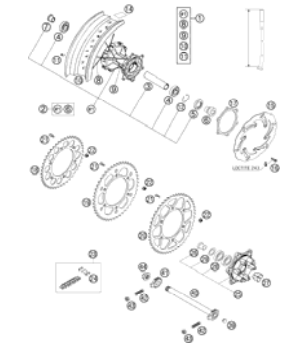
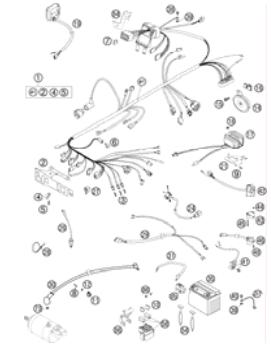
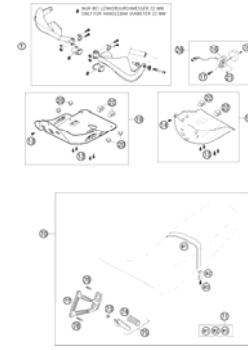
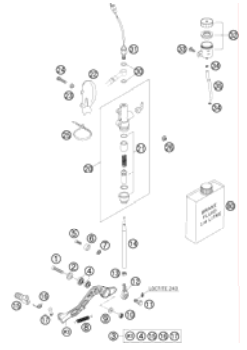
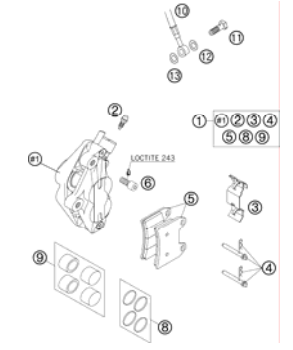
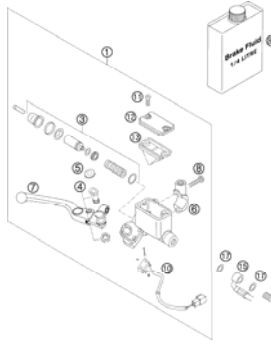
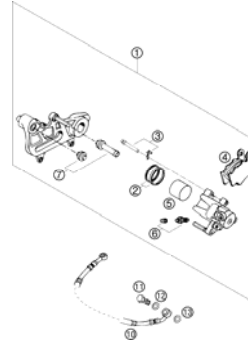
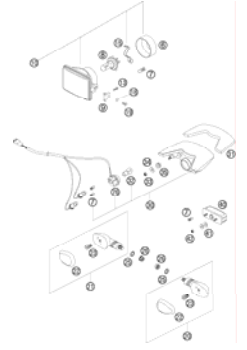
ART.NO.: 3CF9703F4EN

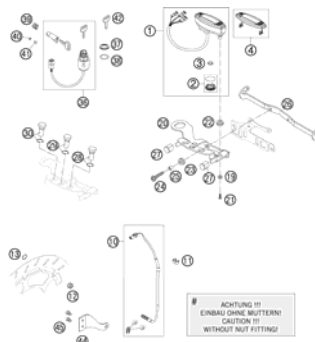
ENGLISH





<b>FORK LEGS</b>  <b>4</b>	<b>FRONT FORK</b>  <b>7</b>	<b>HANDLEBAR, CONTROLS</b>  <b>8</b>	<b>SIDE STAND</b>  <b>9</b>
<b>FRAME, SUBFRAME</b>  <b>10</b>	<b>PRO LEVER SYSTEM</b>  <b>12</b>	<b>SHOCK ABSORBER</b>  <b>13</b>	<b>MONOSHOCK DISASSEMBLED</b>  <b>14</b>
<b>SWINGARM</b>  <b>17</b>	<b>PIPES</b>  <b>18</b>	<b>SILENCER</b>  <b>19</b>	<b>AIR FILTER BOX</b>  <b>20</b>

<p><b>TANK, SEAT, COVER</b></p>  <p><b>21</b></p>	<p><b>DECAL</b></p>  <p><b>22</b></p>	<p><b>MASK, FENDERS</b></p>  <p><b>23</b></p>	<p><b>FRONT WHEEL</b></p>  <p><b>24</b></p>
<p><b>REAR WHEEL</b></p>  <p><b>25</b></p>	<p><b>WIRING HARNESS</b></p>  <p><b>27</b></p>	<p><b>ATTACHMENT PARTS</b></p>  <p><b>29</b></p>	<p><b>REAR BRAKE CONTROL</b></p>  <p><b>30</b></p>
<p><b>BRAKE CALIPER FRONT</b></p>  <p><b>31</b></p>	<p><b>HAND BRAKE CYLINDER</b></p>  <p><b>32</b></p>	<p><b>BRAKE CALIPER REAR</b></p>  <p><b>33</b></p>	<p><b>LIGHTING SYSTEM</b></p>  <p><b>34</b></p>

<p><b>SPEEDOMETER</b></p>  <p><b>35</b></p>			
	<div data-bbox="638 1077 772 1380" data-label="Image"> </div> <p data-bbox="817 1053 2139 1268">                     All information contained is without obligation. KTM-Sportmotorcycle AG particularly reserves the right to modify any equipment, technical specifications, prices, colors, shapes, materials, services, service work, constructions, equipment and the like so as to adapt them to local conditions or to cancel any of the above items, all without previous announcement and without giving reasons. KTM may stop manufacturing certain models without previous notice. KTM shall not be held liable for any deviations of availability and/or ability to deliver, illustrations, descriptions, printing and/or other errors. The illustrated models partly contain extra equipment, which is not applied to standard models. © 2004 by KTM-SPORTMOTORCYCLE AG, Mattighofen AUSTRIA; All rights reserved; Reprint, also in extracts, with written allowance of KTM-SPORTMOTORCYCLE AG, Mattighofen only.                 </p>		

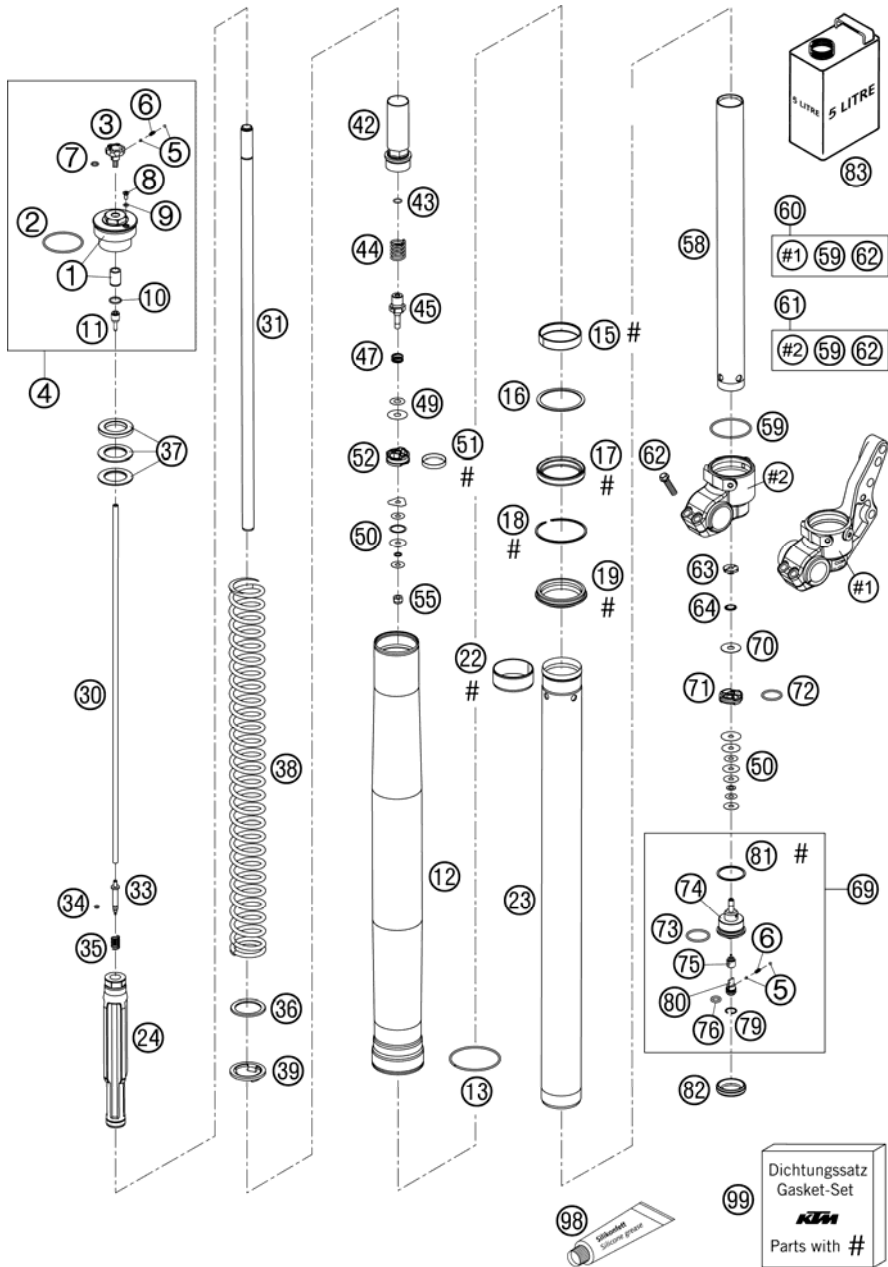


FIG	PART NUMBER	DESCRIPTION	QTY
1	48600020S1	SCREW CAP M51X1,5 CPL.	2
2	46810340	O-RING NBR 45X2	2
3	48600018	KNOB REBOUNG ADJUSTER	2
4	48600020S1	SCREW CAP M51X1,5 CPL.	2
5	40540603	STEEL BALL D=3MM	8
6	48600028	SPRING D=2,9 L=7,9	4
7	48600044	O-RING NBR 6X1,5	2
8	48600058	VENT SCREW M4X6	2
9	48600009	O-RING NBR 3,7X1,6	2
10	48600043	O-RING NBR 12X1,5	2
11	48600019	HOLDER F.ADJUSTMENT TUBE D=4MM	2
12*	48600421E	OUTER T. L=577 D=54/60 2L ANTR	2
13	48600016	GUIDING RING D=58MM	2
15*	48600429	DU-BUSH D48XD52X12DDL02	2
16	48600013	SUPPORT RING 50 X 57,6 X 1,5	2
17	48600399	OIL SEAL RING 48X57,8X9,5	2
18	48600070	LOCK WASHER SB58	2
19	48600400	DUST STRIPPER D=48 58,4X11,8	2
22*	48600428	DU-BUSH D47XD49X20DDL02	2
23*	48600417	INNER TUBE D=48 L=595 2005	2
24*	48600380S1	HYDR.STOP L=200MM D=31,9 CPL.	2
30	48600094	ADJUSTMENT TUBE L=492MM	2
31	48600412	PISTON ROD 14X11X1 L=526	2
33	48600189	NEEDLE REBOUNG 2003	2
34	48600046	O-RING NBR 3X1,5	2
35	48600033	SPRING REBOUNG NEEDLE C=4N/MM	2
36	48600113	WASHER 32X42X2,5	2
37	48600036	SPACER 42X26,5X2,5	2
37	48600037	SPACER 42X26,5X5	2
37	48600038	SPACER 42X26,5X10	1
37	48600053	SPACER 42X26,5X1,5	2
38	91410013S	SPRING 4,0N/MM SET D=5,0MM	x
38	91410014S	SPRING 4,2N/MM SET D=5,0MM	x
38	91410015S	SPRING 4,4N/MM SET D=5,1MM	x
38	91410016S	SPRING 4,6N/MM SET	1
38	91410017S	SPRING 4,8N/MM SET	x

05584016 / C065840106

\* NEW PART

X AS REQUIRED

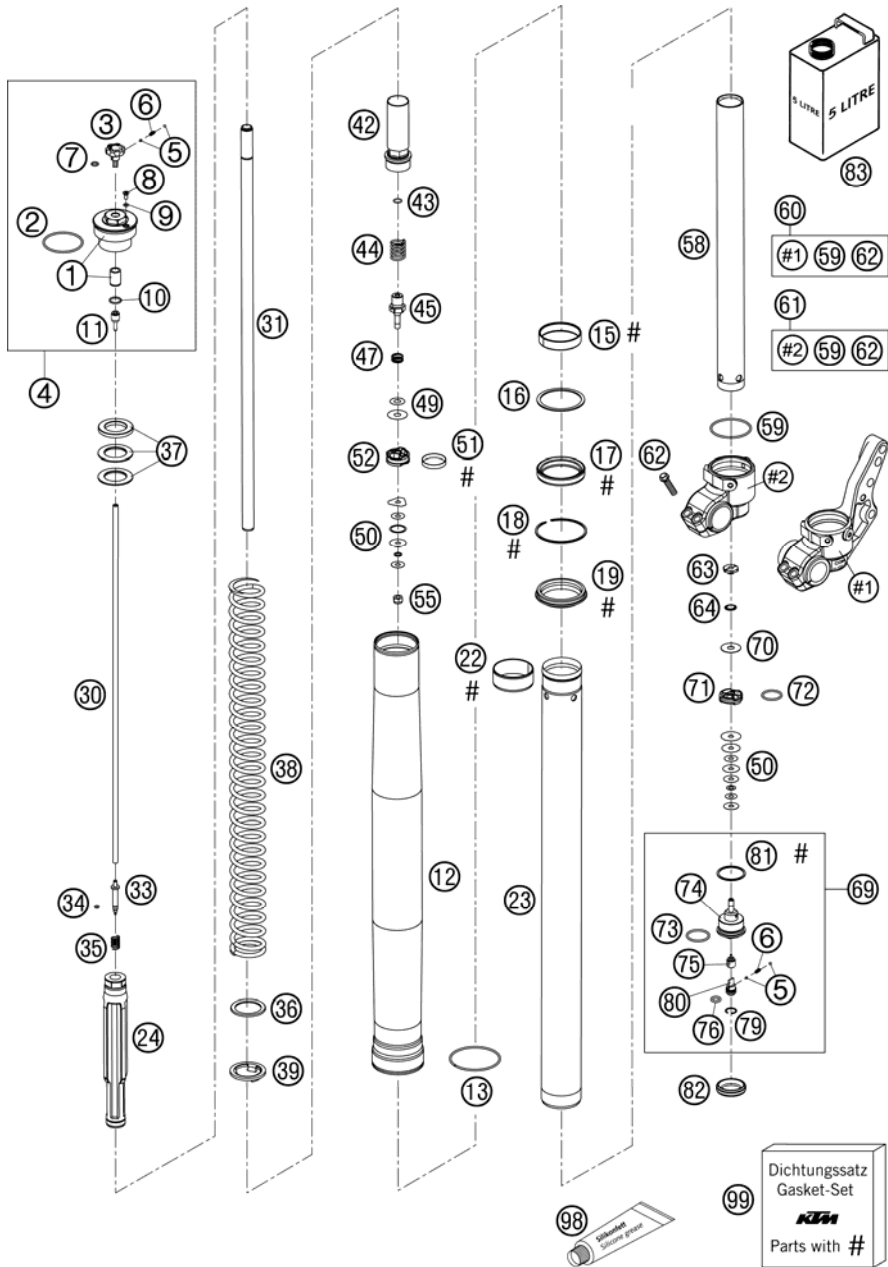


FIG	PART NUMBER	DESCRIPTION	QTY
39	48600021	INTERM. RING 26,2 X 43 X 3	2
42	48600383S	SCREW SLEEVE M29,3X1 L=90 CPL.	2
43	48600239	O-RING NBR 8X1,25	2
44	48600403	REBOUND SPRING D=15MM L=34,5MM	2
45	48600203	TAB REBOUND D=3 03	2
47	35480377	SPRING CHECK VALVE D=0,5	2
49	43570120	SHIM 8X18X0,10	2
49	48600062	CHECK VALVE 8X24X0,1	8
49	48600215	CHECK VALVE 8X20X0,1	2
49	48600216	CHECK VALVE 8X22X0,1	2
50	40540401	SHIM 6X14X0,1	x
50	40540402	SHIM 6X16X0,1	x
50	40540403	SHIM 6X18X0,1	x
50	40540414	SHIM 6X16X0,25	x
50	40540415	SHIM 6X18X0,25	x
50	40540447	SHIM 6X10X0,3	x
50	48600063	SHIM 6X24X0,1	x
50	48600064	SHIM 6X22X0,1	x
50	48600065	SHIM 6X20X0,1	x
50	48600069	SHIM 6X20X0,15	x
50	48600116	SHIM 6X24X0,1 DELTA	x
50	48600212	PRESSURE-RING 20X16,25X0,20	x
51	48600060	PISTON RING 5X1X84	2
52	48600042	PISTON REBOUND D=27,7	2
55	40540486	NUT M6X0,5 REBOUND	2
58	48600140	TUBE 29,3X1X385 ALU	2
59	48600048	O-RING NBR 46 X 2	2
60	48600257S	AXLE CLAMP L/S SM CPL. 04	1
61	48600238S	AXLE CLAMP R/S CPL. USD48 04	1
62	0015080253	HH COLLAR SCREW M 8X25 WS=10	4
63	48600163	CHECK VALVE NUT M6X0,5 D=2	2
64	48600202	SPRING CHECK VALVE D=0,7	2
69	48600152S1	TAP COMPRESSION CPL. 03	2
70	48600061	CHECK VALVE 8X24X0,4	2
71	48600047	PISTON COMPRESSION D=27,9	2
72	46811499	O-RING NBR 21X2	2

05584016 / C065840106

\* NEW PART

X AS REQUIRED

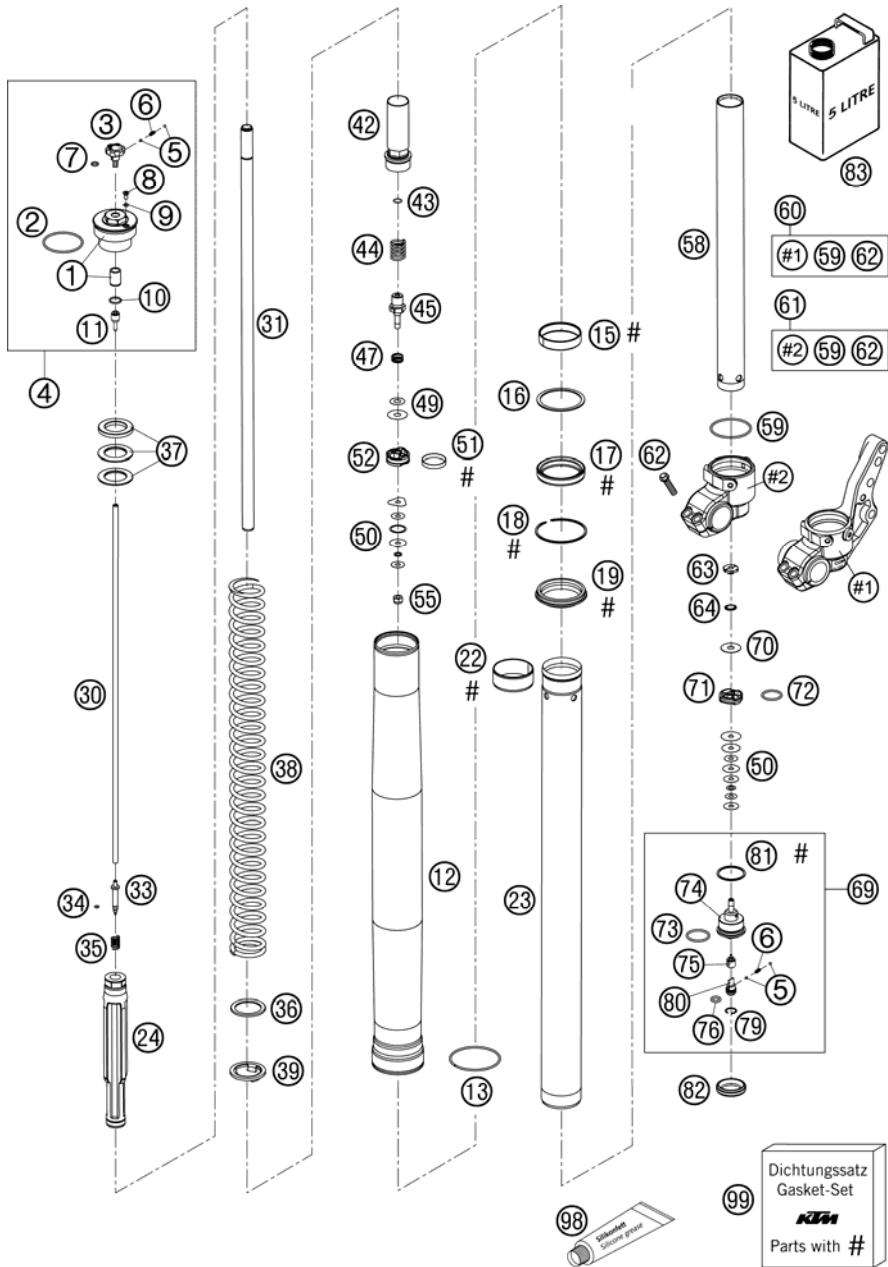


FIG	PART NUMBER	DESCRIPTION	QTY
73	35480320	O-RING NBR 24X2	2
74	48600152	TAP COMPRESSION	2
75	48600190	NEEDLE COMPRESSION 2003	2
76	48600049	O-RING NBR 8X2	2
79	48600051	LOCK WASHER RB12	2
80	48600034	COMPRESSION ADJ. SCREW	2
81	48600004	COPPER WASHER 29,5X33,5X1	2
82	48600141	RUBBER CAP D=35MM	2
83	48600401S1	FORK OIL SAE 5 2005	1
98	T511	SILICONE GREASE F. DUST STRI	1
99*	R14013	REPAIR-KIT GASKET 4860 MXMA 06	1

05584016 / C065840106

\* NEW PART

X AS REQUIRED



# FRONT FORK

625 SMC EU 2006

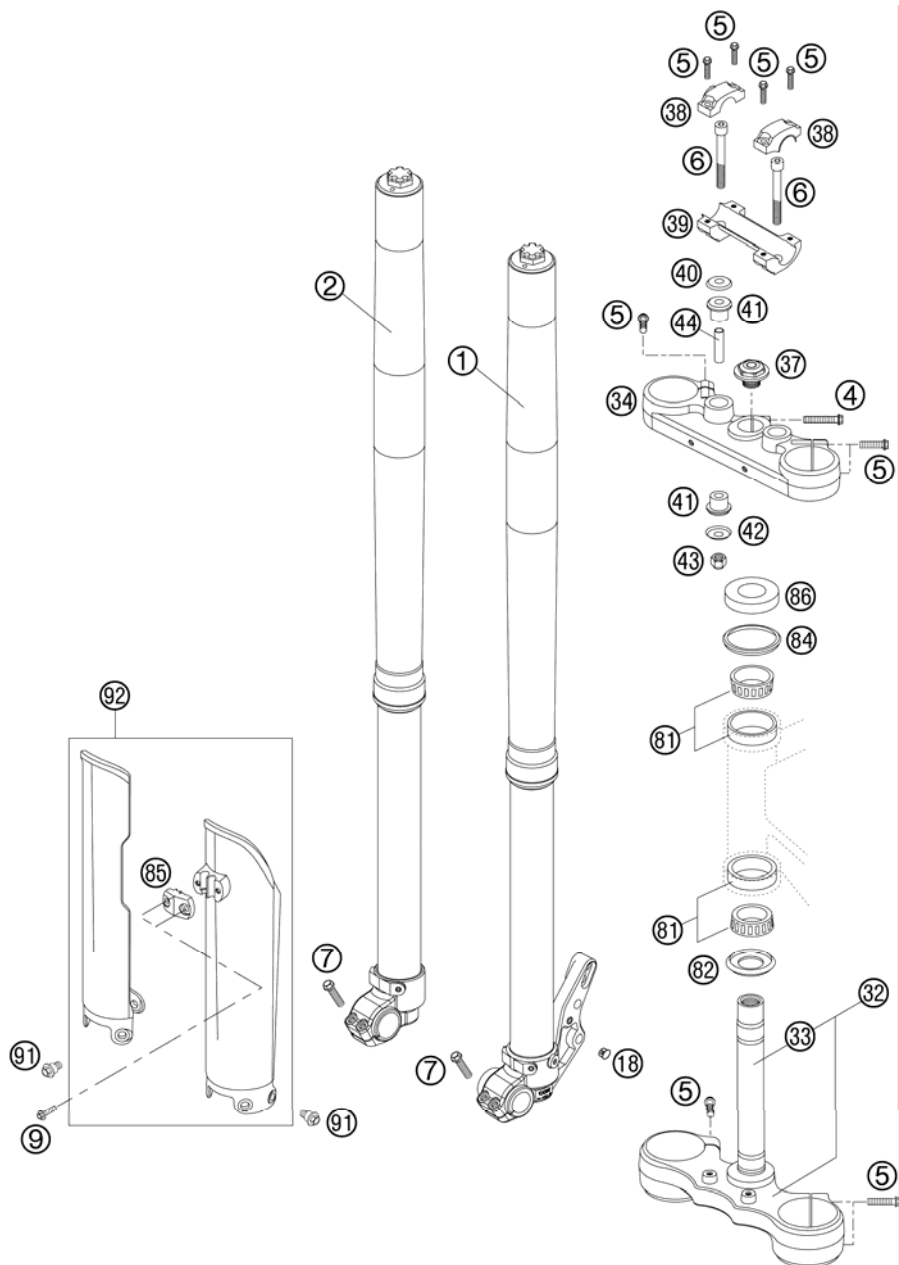


FIG	PART NUMBER	DESCRIPTION	QTY
1*	14187B07LS	FORK LEG L/S	1
2*	14187B07RS	FORK LEG R/S	1
4	0015080353	HH COLLAR SCREW M 8X35 WS=10	1
5	0015080253	HH COLLAR SCREW M 8X25 WS=10	12
6	0984100706	AH SCREW DIN6912-M10X70 10.9	2
7	0015080253	HH COLLAR SCREW M 8X25 WS=10	4
9	0017060203	EJOT PT SCREW K60X20 WS=6	2
18	58301098000	PLASTIC CAP 3/8" 2663	1
32	58401132100	BOT.TRIPLE CLAMP CPL. SM 03	1
33	50101033100	FORK TUBE L=244 '91	1
34	58401234000	TOP TRIPLE CLAMP 660 SM 03	1
37	50301036000	STEER.HEAD SCREW M20X1,5 WS=27	1
38	59001038200	HANDLEBAR CLAMP D=28MM 2000	2
39	59001039100	HANDLEBAR SUPPORT 28MM SC'99	1
40	56401042000	WASHER 10,5X32X2	2
41	56401040000	RUBBER BUSHING	4
42	56401142000	WASHER 10,5X31	2
43	0982100003	SELF LOCK.NUT DIN0982-M10 HIGH	2
44	56401041100	SPACER TUBE 10,2X12X44	2
81*	54201081100	TAPERED ROLLER BEARING CPL. 06	2
82	54601084100	O-RING SUPPORT W. SEALING LIP	1
84	54601184000	STEERING HEAD GASKET TOP	1
85	58201085000	CLAMP F.SPEED CABLE D=8MM 2001	1
86	54201086000	STEERING HEAD COVER	1
91	59001092050	SPECIAL SCREW M6X12,5 WS=8	6
92	5900109400030	FORK PROTECT. L/S+R/S BLACK 02	1

05586011 / C065860102

\* NEW PART

X AS REQUIRED

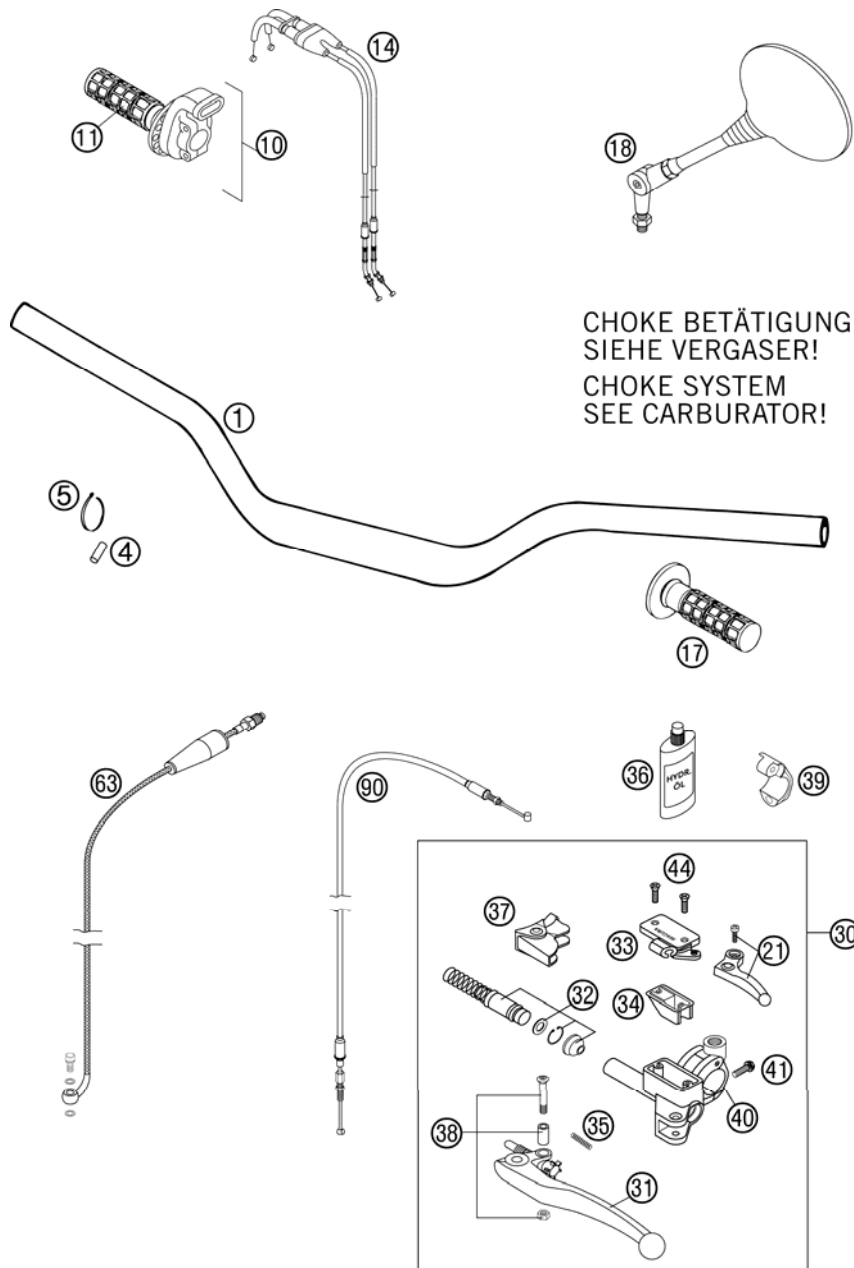


FIG	PART NUMBER	DESCRIPTION	QTY
1	59002001000	HANDLEBAR 28MM HIGH 2000	1
4*	58007016300	HOSE 7x11x30MM	1
5	44011076200	CABLE TIE 200/3,6MM BLACK	1
10	59002010200	THROTTLE GRIP CPL. RACING 2000	1
11	50202003000	TWIST GRIP COVER DOMINO BLACK	1
14	59002091300	THR.CABLE"OPEN-CLOSE"KEIHIN 02	1
17	50202052100	FIXED GRIP DOMINO W.OPENING 03	1
18	58312040200	REAR MIRROR L/S FOLDABLE SC 02	2
21	59002047000	DECO.LEVER CPL. RACING 2000	1
30	58602030000	MASTER CYLINDER CPL. SXC/SM 03	1
31	54602031000	CLUTCH LEVER SHORT CPL. 2003	x
31	59002031000	CLUTCH LEVER LONG CPL. 2003	1
32	50302032000	REP.SET PISTON CLUT.HYDR. '98	1
33	59002033000	COVER HYD.CLUTCH RACING 2000	1
34	50302034000	RUBBER FOR RESERVOIR '98	1
35	59002035000	SPRING FOR CLUTCH LEVER 03	1
36	50302036200	OIL FOR HYD. CLUTCH 75ML	1
37	50302037000	PROTECT.CAP FOR LEVER PERCH'98	1
38	50302038000	LEVER SCREW CPL. 125-200 '98	1
39	50302030150	CLAMP WITH PIN 2000	1
40	59002044000	CLAMP MIRROR WITH PIN	1
41	0015060203	HH COLLAR SCREW M 6X20 WS=8	1
44	0965040123	FLAT HEAD SCREW DIN0965-M 4X12	2
63	58432063000	CLUTCH PIPE LC4/SXC/SM 03	1
90	58402094000	DECOMPR. CABLE LC4 03	1

05586020 / C065860201

\* NEW PART

X AS REQUIRED

# SIDE STAND

625 SMC EU 2006

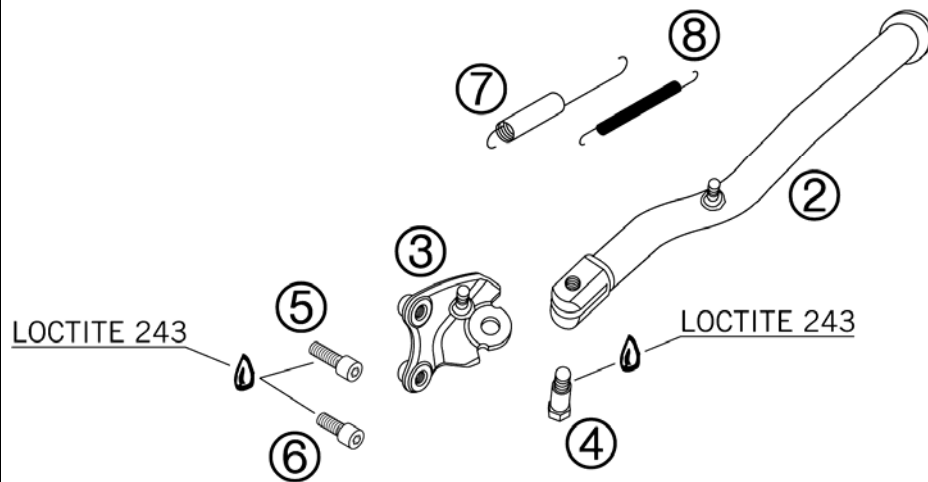
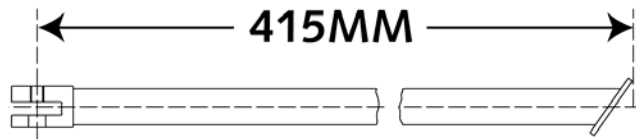


FIG	PART NUMBER	DESCRIPTION	QTY
2	5840302380030	SIDE STAND SM BLACK 05	1
3	58403026600	SIDESTAND BRACKET CPL. 03	1
4	58203027200	SCREW FOR SIDE STAND M10X26,7	1
5	0912100303	AH SCREW DIN0912-M10X30	1
6	0912100256	AH SCREW DIN0912-M10X25 10.9	1
7	58403030100	SIDE ST.SPRING LO. W.RUBBER 03	1
8	58403030000	SIDE STAND SPRING D=7,7MM '97	1

065840306 / C065840306

\* NEW PART

X AS REQUIRED

# FRAME, SUBFRAME

625 SMC EU 2006

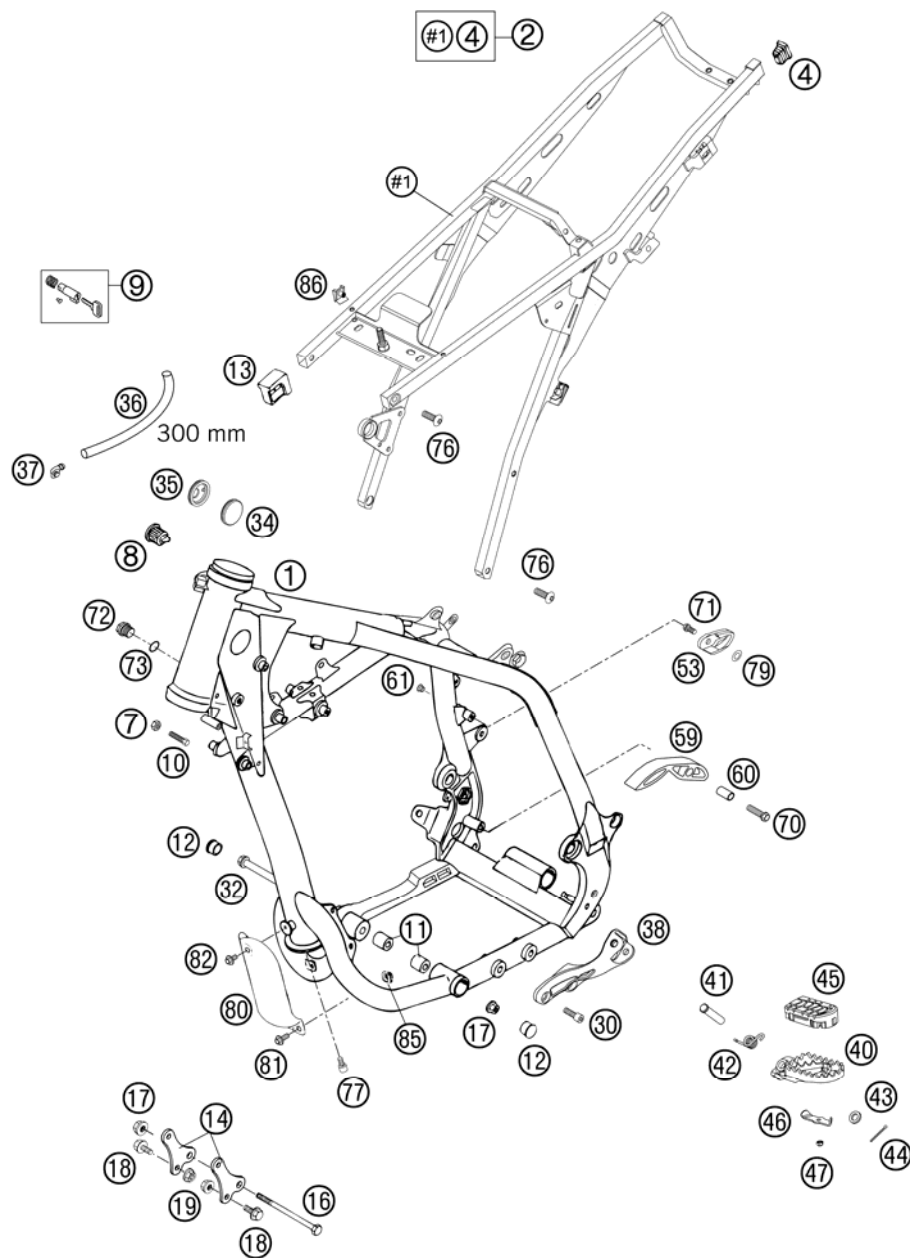


FIG	PART NUMBER	DESCRIPTION	QTY
1	5860300104430	FRAME CPL. "EG05" SMC 05	1
2	5860300204430	SUBFRAME CPL. "P5" 05	1
4	58303002090	PLUG 12 X 17 MM	2
7	0934080003	HEXAGON NUT DIN0934-M 8	2
8	42007049000	PLASTIC CAP	1
9	71003007000	STEERING HEAD LOCK CPL. ZADI	1
10	59001037000	SPECIAL SCREW M8X26 WS=10	2
11	58003012000	SPACER ROLLER 10,3X20X22	2
12	71001012100	PVC CAP D=22MM	2
13	58307015000	TANK SUPPORT '93	2
14	58303055000	ENGINE SUPPORT AGW '94	2
16	58403013000	ENGINE BRAC.SCREW M10X110 WS13	1
17	54630044000	COLLAR NUT M10 WS=13	2
18	49109481052	HH COLLAR SCREW M 8X16 WS=13	4
19	54310086200	SELF LOCKING NUT M8 10.9	4
30	0912100250	AH SCREW DIN6912-M10X25,10.9,L	2
32	58403014000	ENGINE BRAC.SCREW M10X160 WS13	1
34	54606004000	PLUG 37MM	1
35	54606004100	PLUG 37MM PERFORATED 04	1
36	55007016001	PVC-HOSE 7X10 PER METER	x
37	50303089000	ANGEL PIECE '97	1
38*	58403038100	FOOTREST BRACKET LEFT ALU 05	1
40	59003040250	FOOT PED L/S SILVER 02	1
40	59003041250	FOOT PED R/S SILVER 02	1
41	54803044000	BOLT FOR FOOT PED 03	1
42	54603041000	FOOTREST SPRING L/S & R/S	2
43	0125100003	WASHER DIN0125-A10,5	2
44	0094032253	PIN DIN0094-3,2X25 STEEL	2
45	60003040010	FOOTREST RUBBER FRONT L/S 03	1
45	60003041010	FOOTREST RUBBER FRONT R/S 03	1
46	60003044010	CLOSING PANEL FRONT L/S R/S 03	2
47	0985050003	SELF LOCKING NUT DIN0985-M 5	2
53	58604069000	CHAIN SLIDING PIECE 05	1
59	51103053000	CHAIN SLIDING PIECE BELOW '97	1
60	51103053051	BUSHING 8,2X10X20	1
61	54403135000	PLASTIC CAP SFL10	1

05586032 / C065860302

\* NEW PART

X AS REQUIRED

# FRAME, SUBFRAME

625 SMC EU 2006

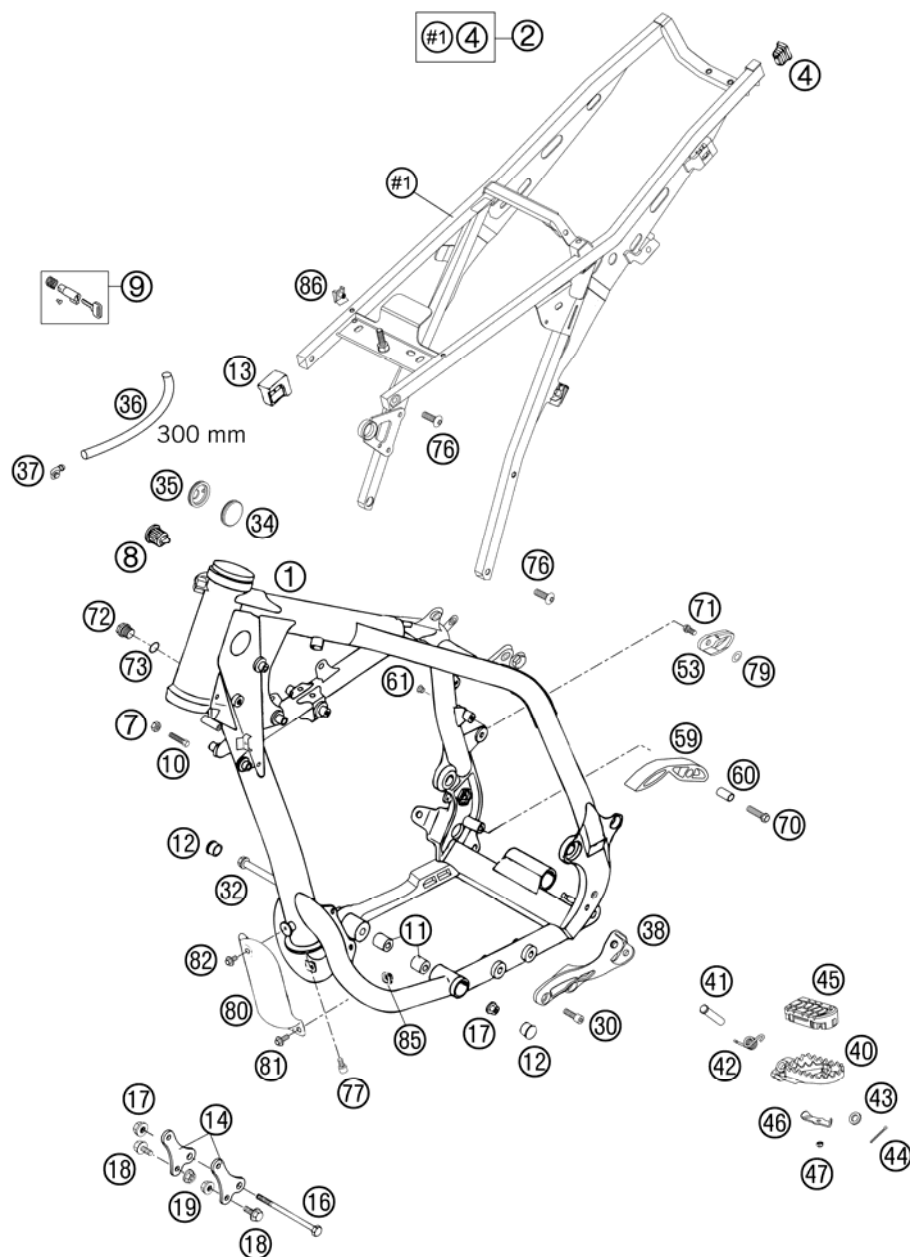


FIG	PART NUMBER	DESCRIPTION	QTY
70	0015080303	HH COLLAR SCREW M 8X30 WS=10	1
71	0015080163	HH COLLAR SCREW M 8X16 WS=10	1
72	0910160153	PLUG DIN0910-M16X1,5	1
73	0603162220	CU-SEAL RING 16X22X2	1
76	54510052100	SPROCKET SCREW-AH M8X26 WS=6	4
77	0984060103	AH SCREW DIN7984-M 6X10	1
79	0125080003	WASHER DIN0125-A 8,4	1
80	58303010000	COVER OIL FILTER '94	1
81	0014060153	HH COLLAR SCREW M 6X15 WS=8	2
82	0014060103	HH COLLAR SCREW M 6X10 WS=8	1
85	50235033300	SNAP-NUT HOLDER M6 KP142	2
86	54603048100	RANGE CHANGE METAL NUT M6	4

05586032 / C065860302

\* NEW PART

X AS REQUIRED

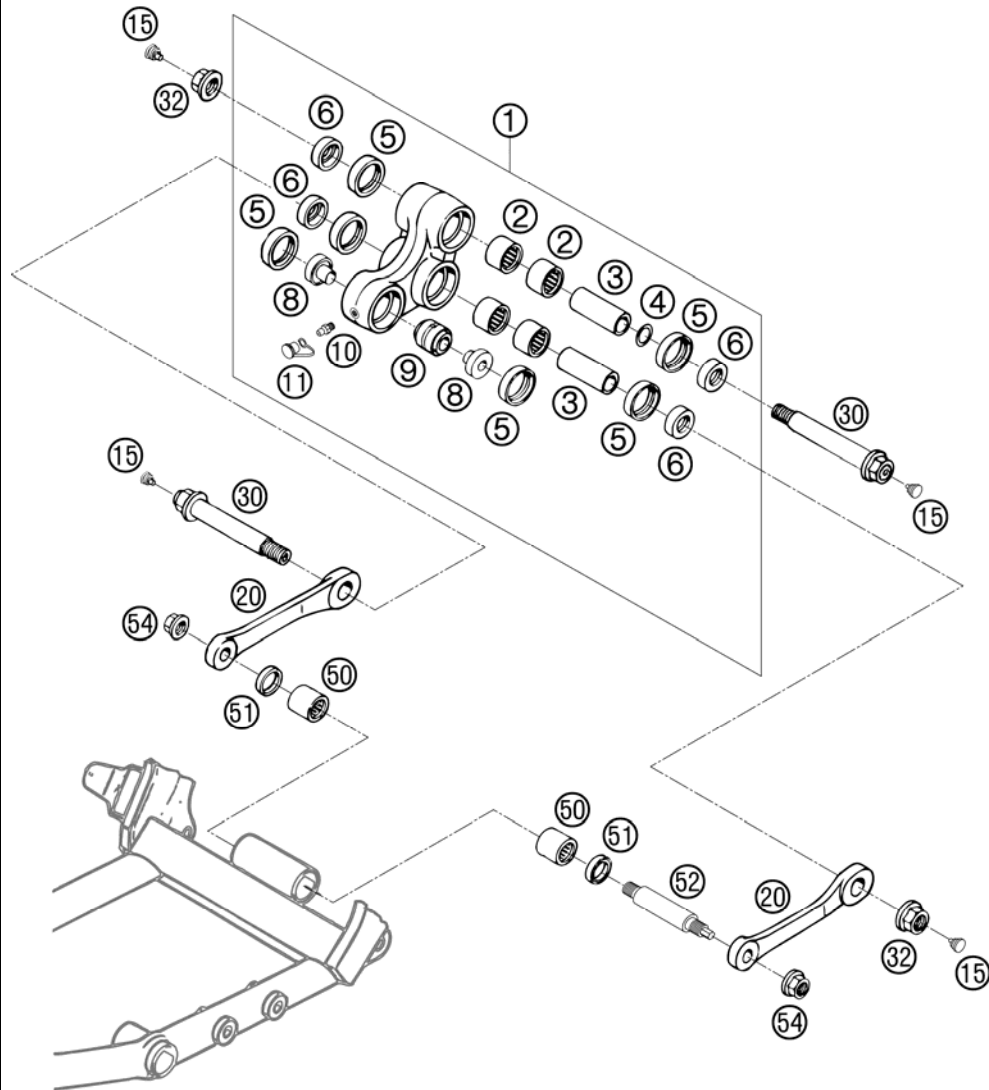


FIG	PART NUMBER	DESCRIPTION	QTY
1	58303080244	ROCKER ARM CPL. FORGED LC4 '99	1
2	54603097000	NEEDLE BUSH HK 2016	4
3	54603081000	BUSHING SLEEVE 15 X 20 X 48	2
4	54603090010	STEEL WASHER 15,2X19X0,1	x
4	54603090020	STEEL WASHER 15,2X19X0,2	x
4	54603090030	STEEL WASHER 15,2X19X0,3	x
5	0760253270	SHAFT SEAL RING 25X32X7	6
5	58303090000	SPAC.F.SHAFT SEALRING 15X25X11	4
8	58303085100	BUSHING FOR BEARING LINK '95	2
9	54203083050	LINK BEARING 12X25X22(16-1061)	1
10	72003035000	GREASE FITTING M6 STRAIGHT	1
11	53003099000	CAP WITH LOOP RED	1
15	54403135000	PLASTIC CAP SFL10	4
20	58303083000	LINKAGE ARM L=127MM '93	2
30	54603182044	BOLT CPL. 15X98MM / M14X1,5	2
32	54603015000	SELF LOCKING NUT M14X1,5 WS=19	2
50	56503195100	NEEDLE BEARING HK 1816	2
51	0760182442	SHAFT SEAL RING 18X24X4	2
52	58303084100	BUSHING BOLT CONNECTING BAR'96	1
54	49103415000	SELF LOCK. NUT M12X1,75 WS=19	2

05583040 / C065840401

\* NEW PART

X AS REQUIRED

# SHOCK ABSORBER

625 SMC EU 2006

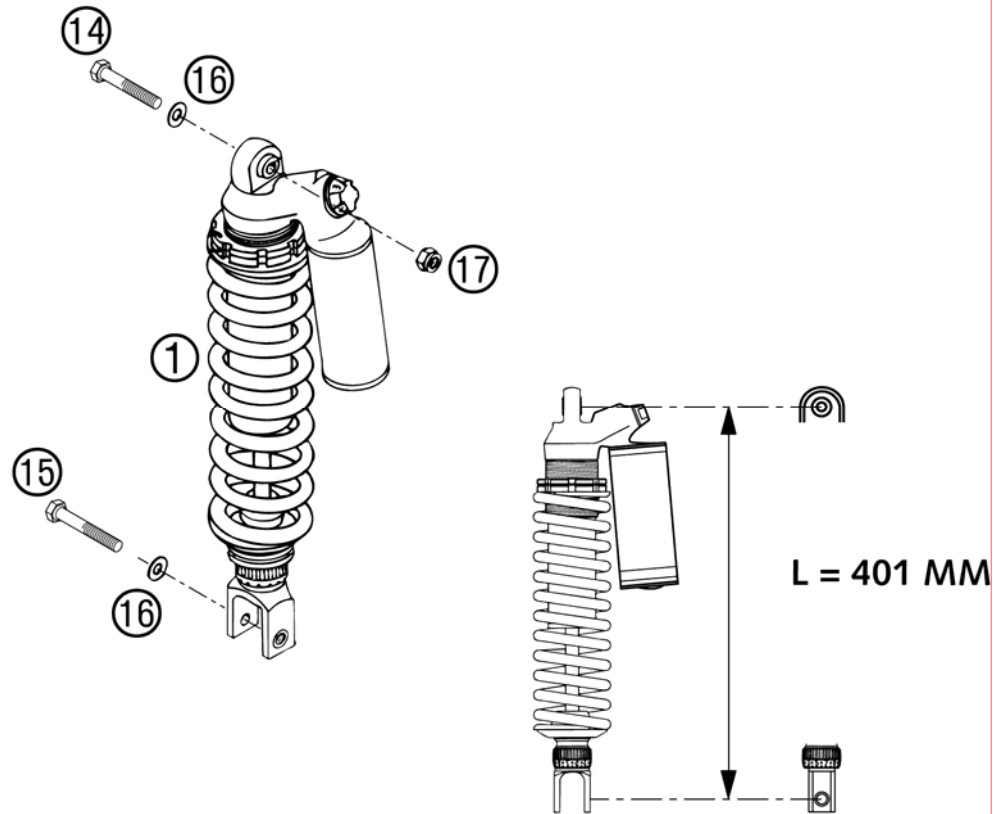


FIG	PART NUMBER	DESCRIPTION	QTY
1*	01187B02	MONOSHOCK 4681 BAVP SM/SMC 06	1
14	56503086000	SPECIAL SCREW M10X47 WS=17	1
15	56503093000	SPECIAL SCREW M10X55 WS=17	1
16	0125100003	WASHER DIN0125-A10,5	2
17	54310086100	SELF LOCKING NUT M10 CU WS=14	1

05584045 / C065840405

\* NEW PART

X AS REQUIRED

# MONOSHOCK DISASSEMBLED

625 SMC EU 2006

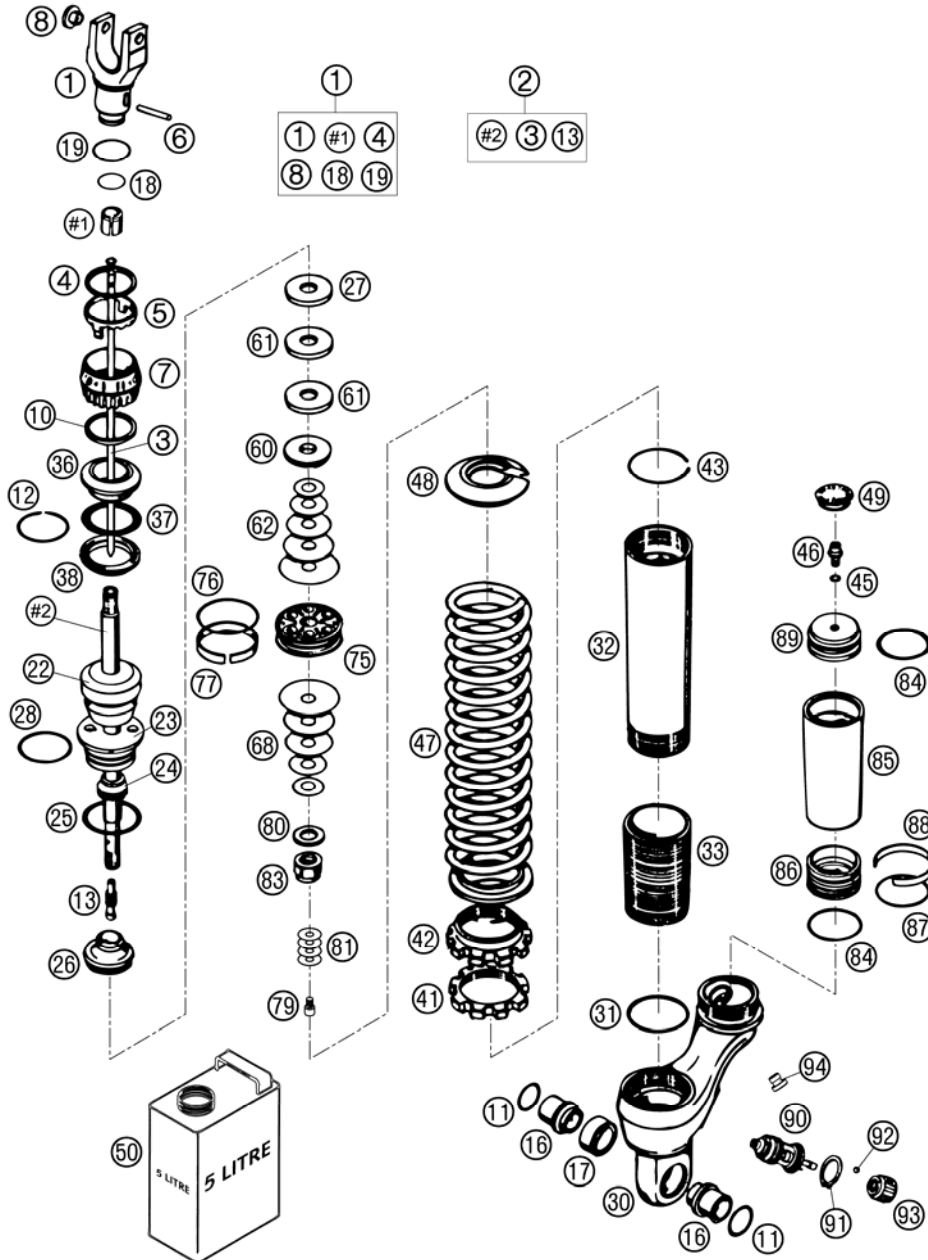


FIG	PART NUMBER	DESCRIPTION	QTY
1*	46811558S	SHOCK ABS. BOTTOM-FORK L75B	1
2*	46811560S2	PISTON ROD D=14 BA M14X1	1
3	46811545S	NEEDLE CPL. D=4 BA, L=183	1
4	46811222	O-RING 36X0,5	1
5	46811263	WASHER	1
6	46811261	PIN 4X35	1
7	46811262	ADJ. KNOB D=41	1
8	46811205	ADAPTOR-BUSH M10x1,50, D=15	1
10	46811221	O-RING 35X3	1
11	46811050	SEAL KGW	2
12	46811268	CIRCLIP 22X1,2	1
13	46811259	NEEDLE SEAT 5X17,25	1
16	46811078	ADAPTOR KGW 10X24	2
17	46811027	BUSHING KGW 1525	1
18	46811499	O-RING NBR 21X2	1
19	46811500	O-RING NBR 32X1,5	1
22	46810365	BUMP RUBBER WP55 WHITE	1
23	46811045	SCREW CAP M47,4, H=22,5	1
24	46811044	DUST SEAL 1424	1
25	46810325	O-RING 35X5	1
26	46811540S1	ADAPTER CPL. D=46, H=23 BA	1
27	46811002	SPACER 35X14X2	1
28	46811042	O-RING 40,00X2,00 WP	1
30	46811481	SHOCK ABSORB. TOP H-35/79 84	1
31	46810016	O-RING NBR 48X2	1
32	46810094	TUBE L=185	1
33	46810346	THREADED BUSH L=60 BLACK	1
36	46811561	BUSHING RING D=55X19	1
37	46811512	O-RING NBR 32X8	1
38	46811511	SUPPORT RING D=55X7,5	1
41	46810109	COUNTERNUT	1
42	46810108	ADJUSTING NUT	1
43	46810010	CIRCLIP 49X1,5	1
45	46810893	O-RING NBR 5,28X1,78	1
46	36120151	SCREW PLUG M5X6	1
47	91010110	SPRING 70-260 (59), D=12	1

065840406 / C065840406

\* NEW PART

X AS REQUIRED



# MONOSHOCK DISASSEMBLED

625 SMC EU 2006

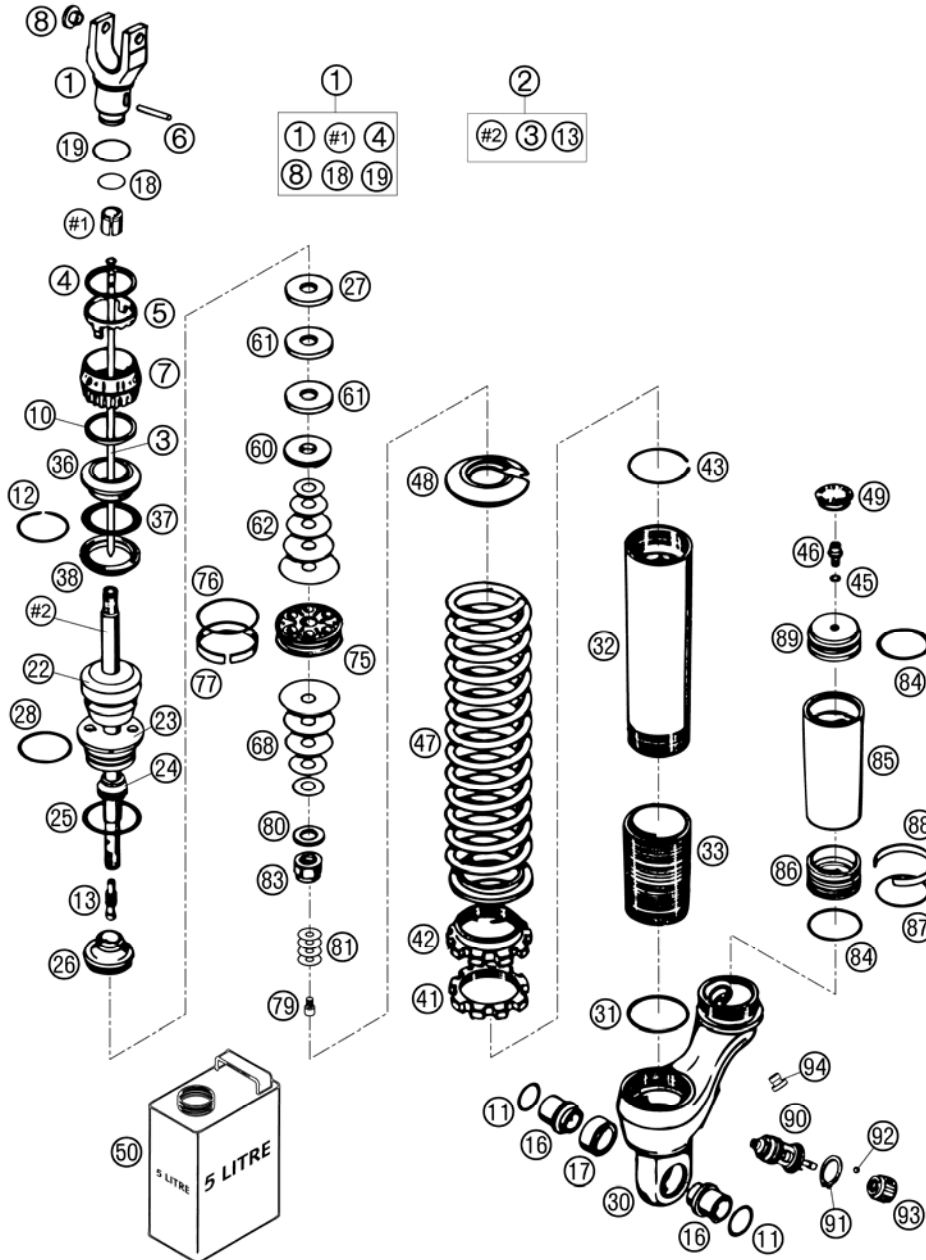


FIG	PART NUMBER	DESCRIPTION	QTY
47	91010111	SPRING 75-260 (59)	x
47	91010154	SPRING WP 80-260	x
48	46810063	SPRING RETAINER D=58,H=13,L=15	1
49	46811208	RUBBER CAP "DO NOT OPEN"	1
50*	50180466S1	SHOCK ABSORBER FLUID 5 LT 05 0,33 L	1
60	46811216	REBOUND BUSH PLANE H=6,5	1
61	46811005	SPACER 35X14X10	2
62	46810491	SHIM 12X26X0,20	1
62	46810492	SHIM 12X28X0,20	1
62	46810493	SHIM 12X30X0,20	1
62	46810498	SHIM 12X40X0,20	1
62	46810507	SHIM 12X40X0,25	2
62	46810521	SHIM 12X32X0,15	1
62	46810522	SHIM 12X34X0,15	1
62	46810523	SHIM 12X36X0,15	1
62	46810524	SHIM 12X38X0,15	1
62	46810636	BACKPLATE 12X16X0,30	1
68	46810490	SHIM 12X24X0,20	1
68	46810492	SHIM 12X28X0,20	1
68	46810519	SHIM 12X28X0,15	1
68	46810521	SHIM 12X32X0,15	4
68	46810638	BACKPLATE 12X18X0,30	1
68	46811636	PRESSURE RING 32X28,25X0,30	1
75	46811218	PISTON 6+6XD=7 BA	1
76	46810035	O-RING VITON 37,82X1,78	1
77	46811206	PISTON RING 8X46	1
79	46180052	BLEED SCREW M6X0,5	1
80	46811258	RING 12X24X2,5	1
81	40540401	SHIM 6X14X0,1	1
81	40540402	SHIM 6X16X0,1	1
81	40540403	SHIM 6X18X0,1	4
81	40540448	BACKPLATE 6X8,5X0,30	1
83	46180060	PISTON ROD NUT CPL. M12X1	1
84	46810340	O-RING NBR 45X2	2
85	46811453	RESERVOIR SCREW L=123 GREY	1

065840406 / C065840406

\* NEW PART

X AS REQUIRED

# MONOSHOCK DISASSEMBLED

625 SMC EU 2006

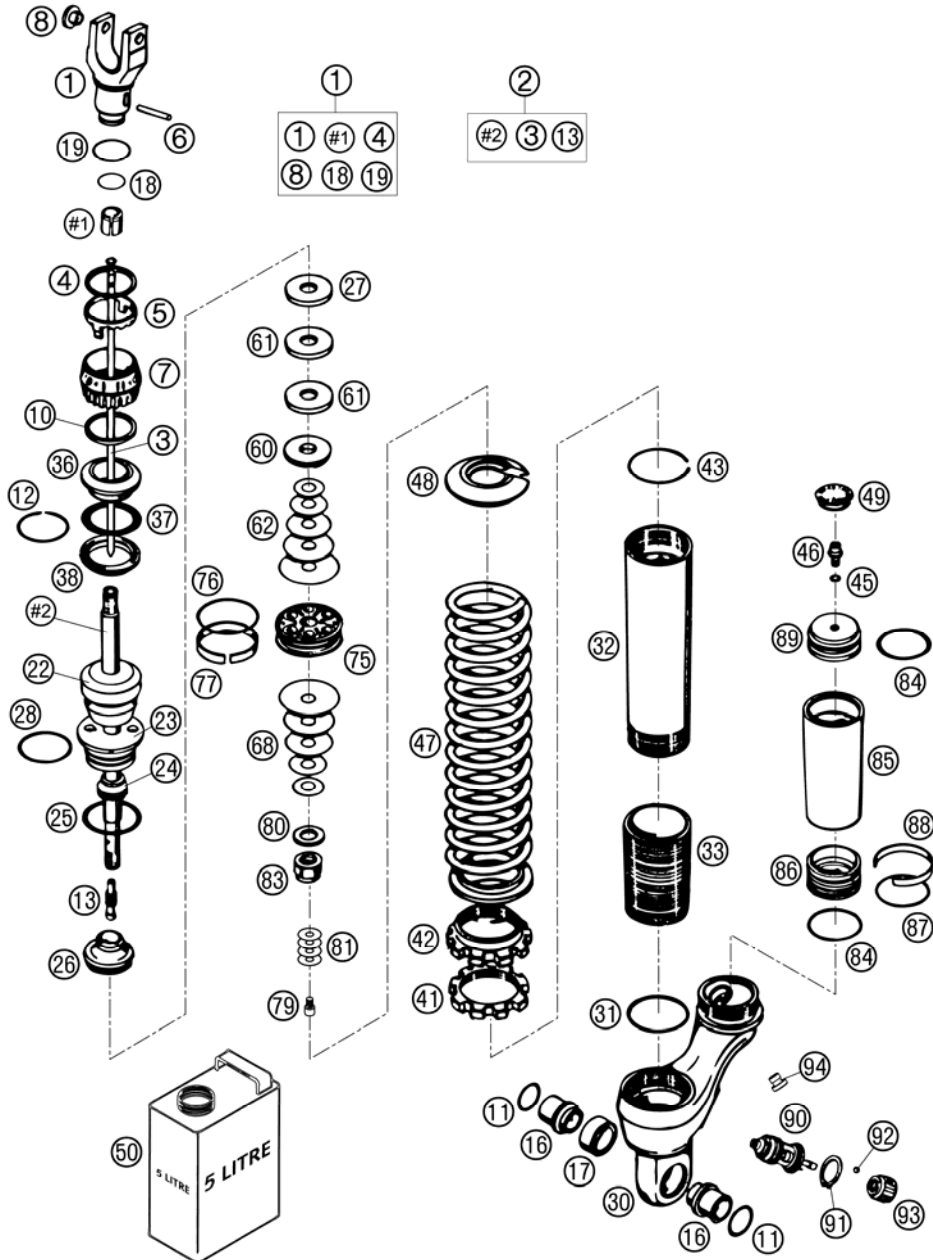


FIG	PART NUMBER	DESCRIPTION	QTY
86	46810322	SEPARATION PISTON D=46	1
87	46811043	O-RING VITON 35X5	1
88	46810324	PISTON RING 3,9X1,5X138	1
89	46811209	RESERVOIR CAP D=46	1
90	46811539S	CC-COMPRE.DAMPING CONTROL CPL.	1
91	46810334	LOCK WASHER JV24	1
92	46810333	STEEL-BALL D=4,75	1
93	46811272S	ADJUSTING KNOB CC-MECH. CPL.	1
94	50180095	BLEED PLUG R 1/8	1

065840406 / C065840406

\* NEW PART

X AS REQUIRED

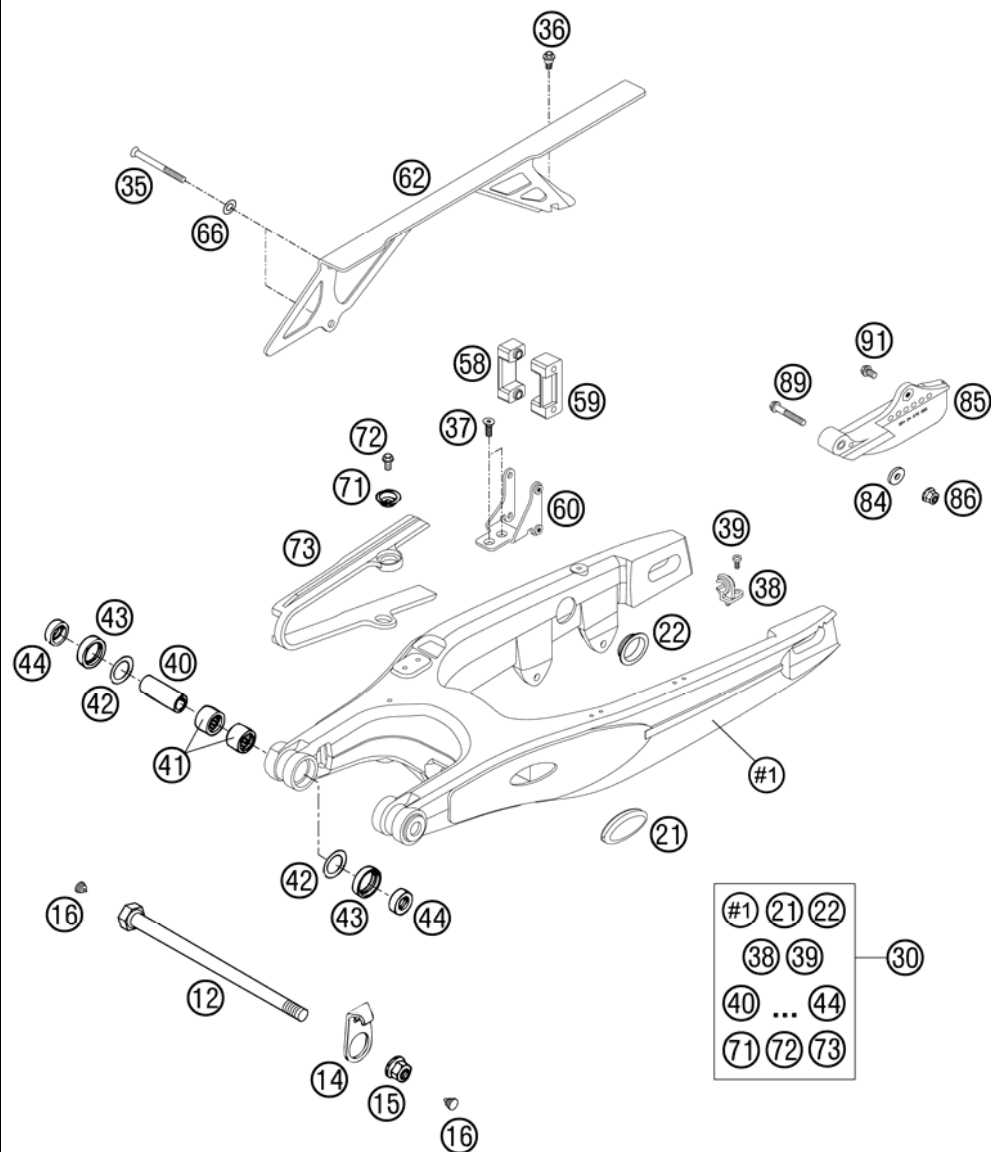


FIG	PART NUMBER	DESCRIPTION	QTY
12	54603014100	SWINGARM BOLT KPL. L=253	1
14	50230211000	BRAKE HOSE GUIDE '89	1
15	54603015000	SELF LOCKING NUT M14X1,5 WS=19	1
16	54403135000	PLASTIC CAP SFL10	x
21	58404041000	CLOSING COVER SWINGARM SM 03	2
22	58404041100	CLOSING COVER ROUND 03	2
30*	58404130144	SWINGARM CPL. SM 05	1
35	0991060553	FLAT HEAD SCREW DIN7991 M6X55	2
36	59001092050	SPECIAL SCREW M6X12,5 WS=8	1
37	0991060163	FLAT HEAD SCR. DIN7991-M 6X16	2
38	5461107610030	RET. CLAMP F. BRAKE HOSE BLACK	2
39	0009050103	SPECIAL SCREW M 5,0X10	2
40	50203081700	BUSHING SLEEVE 15X20X38,75	2
41	59004031000	NEEDLE BUSH HK2012V	4
42	59004033100	WASHER 20X32X0,8	2
43	0760253270	SHAFT SEAL RING 25X32X7	4
44	54603090000	BUCKET F.SHAFTSEALRING 15X25X9	4
58	58604067000	CHAIN GUIDE INSIDE 05	1
59	58604068000	CHAIN GUIDE OUTSIDE 05	1
60	58307068300	SUPPORT F. CHAIN GUIDE 03	1
62	58404060000	CHAINGUARD SM, DUKE 2002	1
66	58404060051	WASHER F. CHAINGUARD SM 02	2
71	72210079000	BUCKET	2
72	0015060103	HH COLLAR SCREW M 6X10 WS=8	2
73	58404066000	CHAIN SLIDING GUARD SM 03	1
84	50232050001	STEEL WASHER 6,4X17X3	1
85	58404070000	CHAIN GUIDE CPL. REAR LC4 '98	1
86	56509064100	SELF LOCKING NUT M6 10.9	1
89	0015060353	HH COLLAR SCREW M 6X35 WS=8	1
91	0015060123	HH COLLAR SCREW M 6X12 WS=8	1

05584047 / C065840407

\* NEW PART

X AS REQUIRED

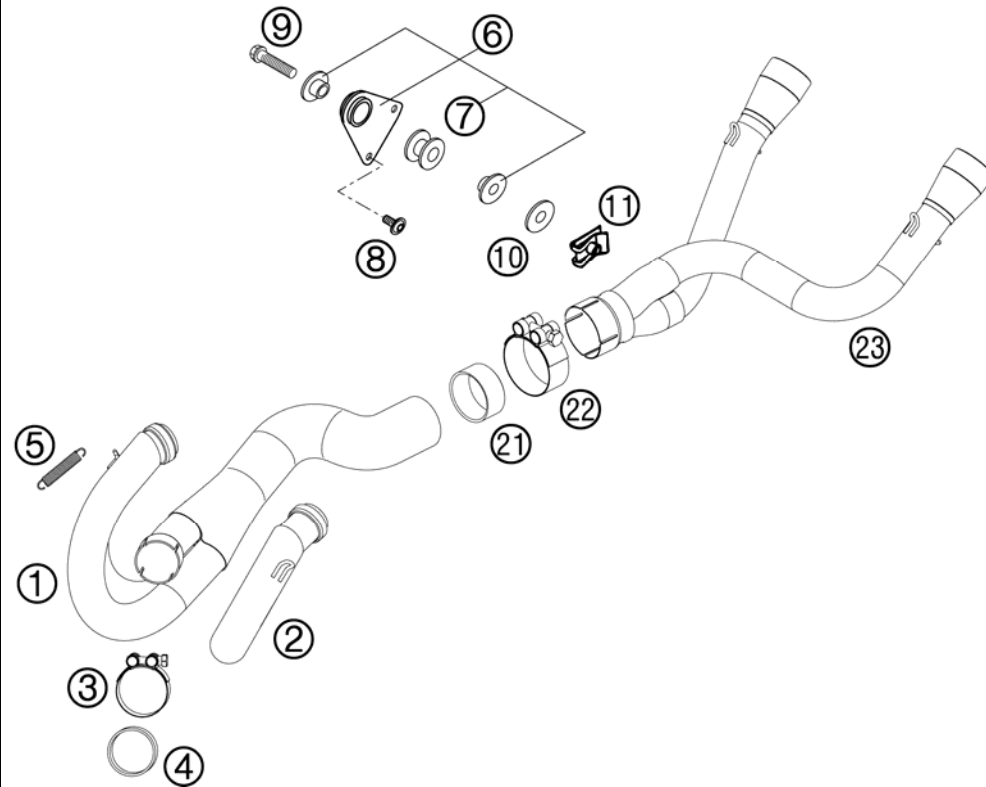


FIG	PART NUMBER	DESCRIPTION	QTY
1	58605008000	EXHAUST PIPE R/S 05	1
2	58405007400	EXHAUST PIPE L/S 03	1
3	58405058100	COLLECTOR CLAMP D=41MM 03	1
4	58405005100	GRAPHIT RING 34X39X20MM 03	1
5	50305016000	TEN.SPRING L=62MM EY.MOVEABLE	4
6	5830506504430	BRACKET-PRE SILENCER CPL.BLACK	1
7	54305068100	DAMP. COMPONENT SILICONE GREY	1
8	0738060181	COU.SUNK SCR. AH ISO7380 M6X18	2
9	0015080353	HH COLLAR SCREW M 8X35 WS=10	1
10	51005067000	INSOLATE WASHER 8,5X28X3	1
11	54603048000	RANGE CHANGE METAL NUT M8	1
21	58605005000	GRAPHIT RING 55X50X25 05	1
22	58605051000	EXHAUST CLAMP D=57,5 MM 05	1
23	58605048000	DISTRIBUTOR TUBE 05	1

05584055 / C065840505

\* NEW PART

X AS REQUIRED

# SILENCER

625 SMC EU 2006

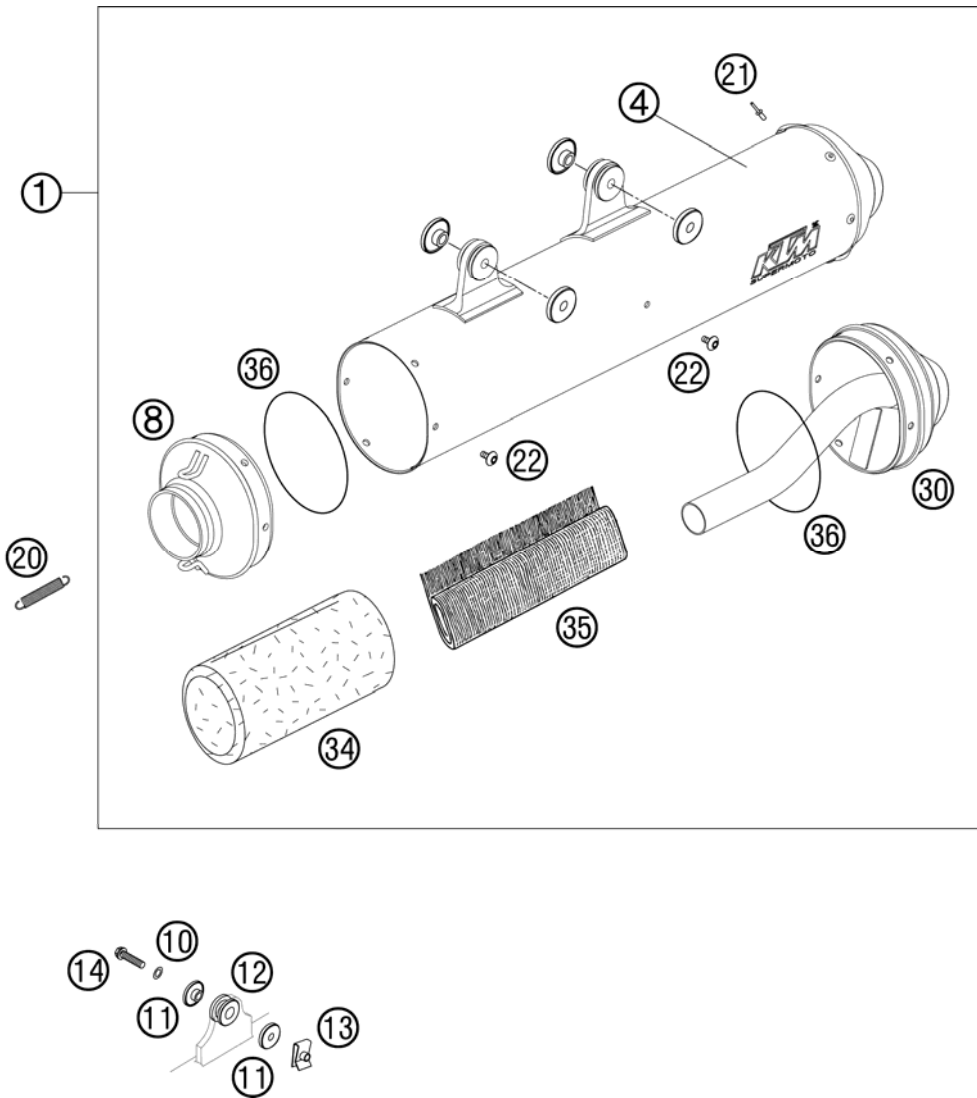


FIG	PART NUMBER	DESCRIPTION	QTY
1	58605083000	SILENCER SM R/S 05	1
1	58605083100	SILENCER SM L/S 05	1
4	58605083050	SILENCER HOUSING CPL. R/S 05	1
4	58605083150	SILENCER HOUSING CPL. L/S 05	1
8	58605083070	SILENCER CONNECT. CAP CPL.SM05	1
10	0137060003	SPRING WASHER DIN0137-B 6	4
11	54605069000	BUSHING 7,5X12X28X7,8 '96	4
12	54605068000	EXHAUST BRACKET RUBBER BLACK	2
13	54603048100	RANGE CHANGE METAL NUT M6	4
14	0015060303	HH COLLAR SCREW M 6X30 WS=8	4
20	50305016000	TEN.SPRING L=62MM EY.MOVEABLE	4
21*	0011480800	DUMMY RIVET 4,8X 8 NIRO	6
22	58605083010	SCREW TORX M5X10 05	8
30	58605083060	SILENCER ENDCAP SM 05	1
34	58705078350	STUFFINGYARN 350 GRAMM '99	1
35	59005078076	STUFFING YARN 560X340X76G 04	1
36	0770740015	O-RING 74,00X1,50 FKM 75SH	2

05584056 / C065840506

\* NEW PART

X AS REQUIRED

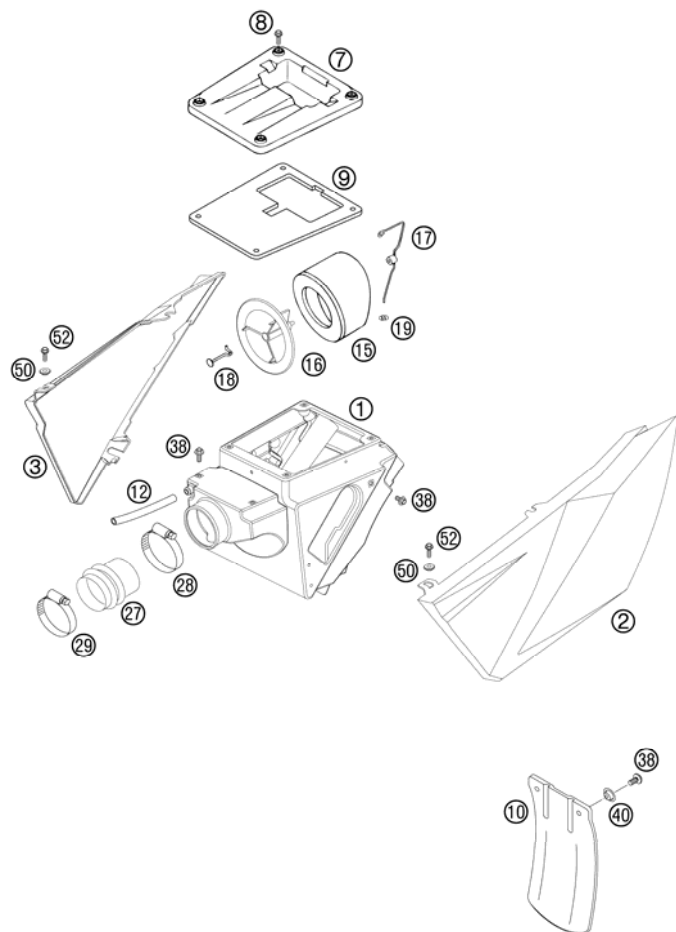


FIG	PART NUMBER	DESCRIPTION	QTY
1	58306001500	FILTER BOX 05	1
2	58606003000	FILTER BOX COVER L/S 05	1
3	58606004000	FILTER BOX COVER R/S 05	1
7	58306102000	FILTER BOX COVER CLOSED	1
8	0015050123	HH COLLAR SCREW M 5X12 WS=8	4
9	58406089000	GASKET FOR FILTER BOX COVER SC	1
10	54606010000	SPLASH PROTECT.FOR FILTER BOX	1
12	57005020001	HOSE 10X14 PER METER	x
15	56506015100	AIRFILTER	1
16	58606016000	FILTER CARRIER 05	1
17	58706017000	HOLDING HANGER FILTER DUKE '99	1
18	58306017050	HOOK FOR FILTER BRACKET	1
19	54606019004	CLAMPING DISK KS4	1
27	58006026500	AIR FILTER BOOT 540/620/640	1
28	55006028000	HOSE CLAMP 60-80MM	1
29	51006027000	HOSE CLAMP 50-70MM	1
38	0014060103	HH COLLAR SCREW M 6X10 WS=8	6
40	72210079000	BUCKET	2
50	50308052000	BUSH FOR SPOILER 6X11X16X5 MM	2
52	0015060163	HH COLLAR SCREW M 6X16 WS=8	2

065860600 / C065860600

\* NEW PART

X AS REQUIRED

# TANK, SEAT, COVER

625 SMC EU 2006

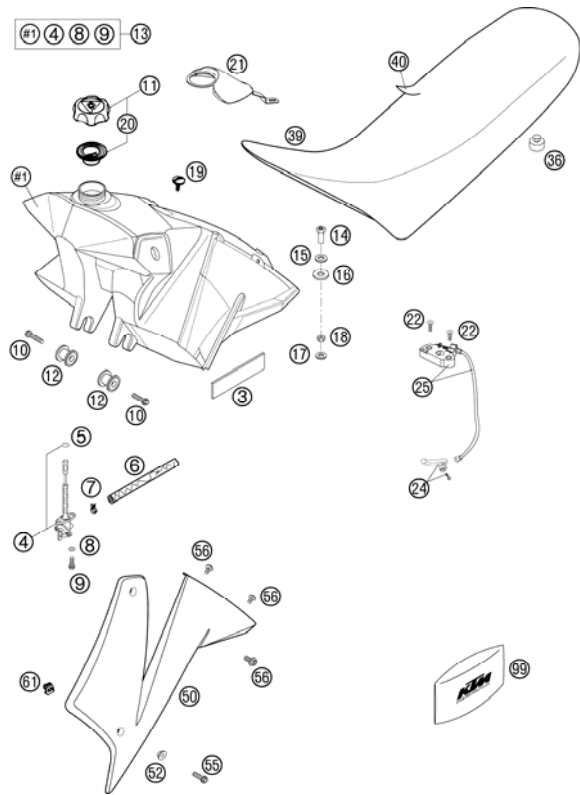


FIG	PART NUMBER	DESCRIPTION	QTY
3	54601097000	RUBBER STRIP 85X25X3 MM	8
4	54807004100	FUEL COCK SMC 04	1
5	0770110021	O-RING 11X2 VITON	1
6	54435024001	HOSE ID 7,5 PER METER	1
7	58031005000	CLAMP YDNAC 10128 12MM	2
8	0603061001	CU-SEAL RING DIN7603-6X10X1	2
9	0015060163	HH COLLAR SCREW M 6X16 WS=8	2
10	0015060253	HH COLLAR SCREW M 6X25 WS=8	2
11	59007008044	FILLER CAP CPL. WITH VALVE	1
12	58307113250	TANK BUSHING CPL. 12 X 34 X 25	2
13	58307013800	FUEL TANK CPL. 9LITER BLACK 04	1
14	58307014000	SPECIAL NUT M8	1
15	31004001100	WASHER 10,5 X 21 X 3	1
16	51005067100	INSULATE WASHER 12X28X3	1
17	0125080003	WASHER DIN0125-A 8,4	1
18	0934080003	HEXAGON NUT DIN0934-M 8	1
19*	58407011100	SCREW FOR SEAT M6X11,5/8	1
20	59007009000	GASKET FOR FILLER CAP HIGH	1
21	58307013750	GENITALPROTECTOR LC4 2000	1
22	0991050253	FLAT HEAD SCREW DIN7991-M 5X25	2
24	58607051000	SEAT LOCK LEVER CPL. 05	1
25	58607050044	SEAT LOCK CPL. 05	1
36	58407040060	PLUG FOR SEAT	2
39	58607040100	SEAT SMC 05	1
40	58607040150	SEAT COVER SMC 05	1
50	5840805000004	SPOILER L/S ORANGE LC4 '98	1
50	5840805100004	SPOILER R/S ORANGE LC4 '98	1
52	50308052000	BUSH FOR SPOILER 6X11X16X5 MM	2
55	0015060203	HH COLLAR SCREW M 6X20 WS=8	4
56	0014060133	HH COLLAR SCREW M 6X13 WS=8	6
61	50235033300	SNAP-NUT HOLDER M6 KP142	2
99	58329099000	ORIGINAL EQUIPMENT TOOL KIT	1

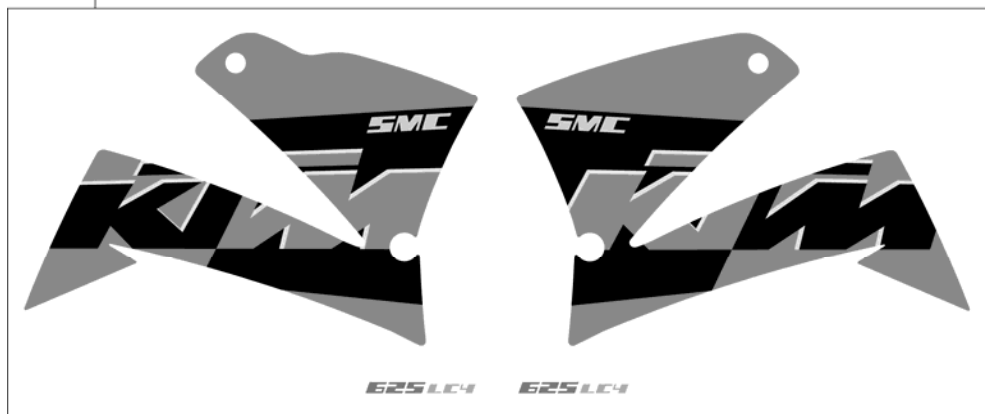
05586070 / C065860700

\* NEW PART

X AS REQUIRED

FIG	PART NUMBER	DESCRIPTION	QTY
1	58608099000	DECAL SET 625 SMC 05	1

①



065860801 / C065860801

\* NEW PART

X AS REQUIRED



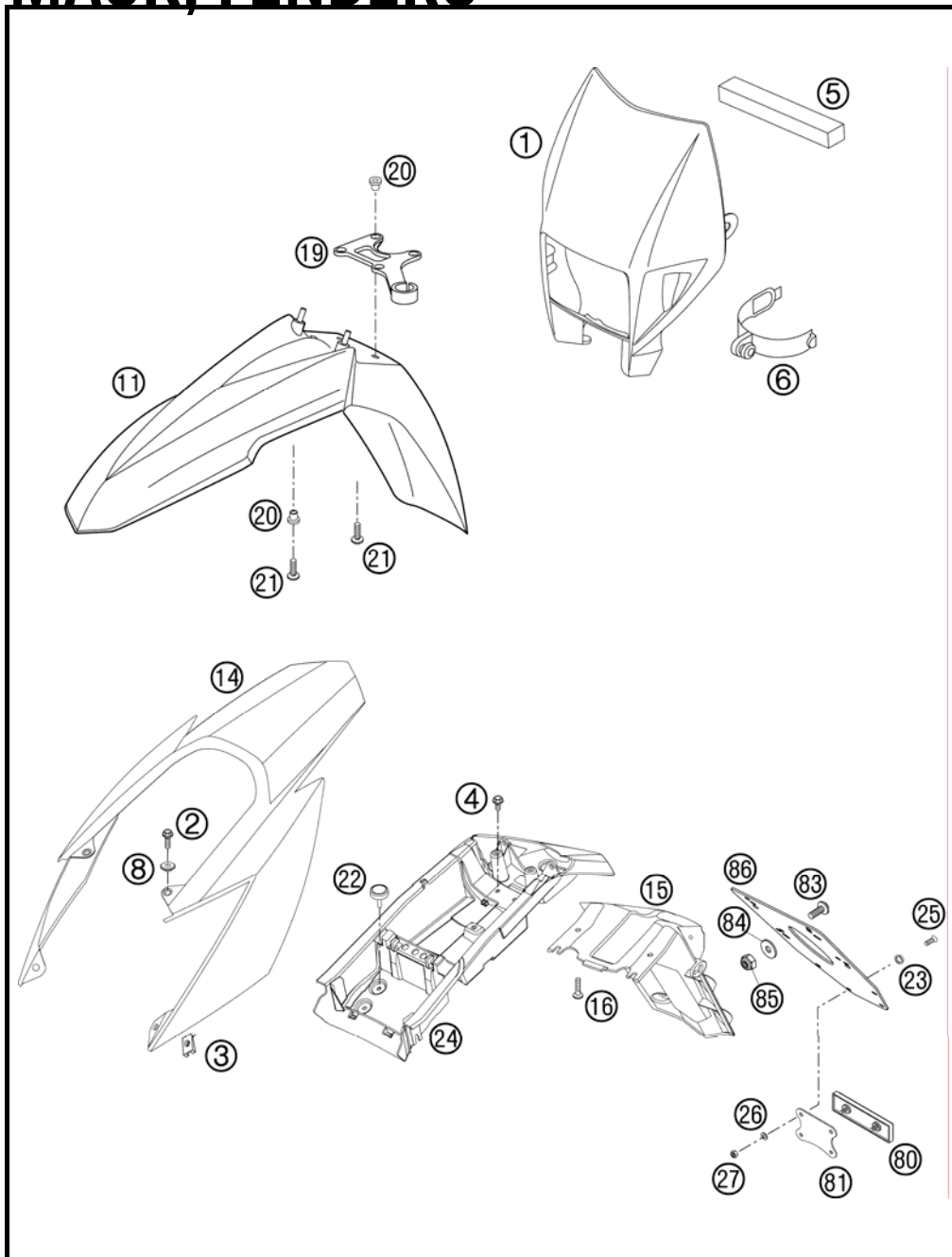


FIG	PART NUMBER	DESCRIPTION	QTY
1	5030800100004	H.LIGHT MASK ORANGE EXC/EGS'99	1
2	0015060163	HH COLLAR SCREW M 6X16 WS=8	4
3	54603048100	RANGE CHANGE METAL NUT M6	2
4	0015060103	HH COLLAR SCREW M 6X10 WS=8	4
5	58608004000	FLASHBACKPROTECTION 05	1
6	50211086000	MASK RUBBER UFO WP '95	2
8	50308053000	BUSH FOR SPOILER 6X11X16X7,5	4
11	5030801020004	FENDER FRONT SHORT ORANGE 02	1
14	5860801400004	FENDER REAR ORANGE 05	1
15	58608015000	NUMBER PLATE CARRIER 05	1
16	0017060203	EJOT PT SCREW K60X20 WS=6	6
19	59008019000	BRAKE HOSE GUIDE 2000	1
20	58408009050	SPACER BUSHING FRONT FENDER	4
21	0014060203	HH COLLAR SCREW M 6X20 WS=8	4
22	60006001021	DISTANCE RUBBER AIRBOX 03	5
23	40006006000	WASHER 6MM	3
24	58608019000	REAR BASE 05	1
25	0966050163	OVAL HEAD SCREW DIN0966-M 5X16	2
26	0125050003	WASHER DIN0125-A 5,3	2
27	0985050003	SELF LOCKING NUT DIN0985-M 5	2
80	58412080000	REFLECTOR RED LC4 '98	1
81	58412080050	BRACKET FOR REFLECTOR	1
83	0014060153	HH COLLAR SCREW M 6X15 WS=8	4
84	0021060003	WASHER DIN9021-A 6,4	4
85	0985060003	SELF LOCK. NUT DIN0985-M 6	4
86	60012081100	LICENCE NUMBER PLATE 05	1

065860802 / C065860802

\* NEW PART

X AS REQUIRED

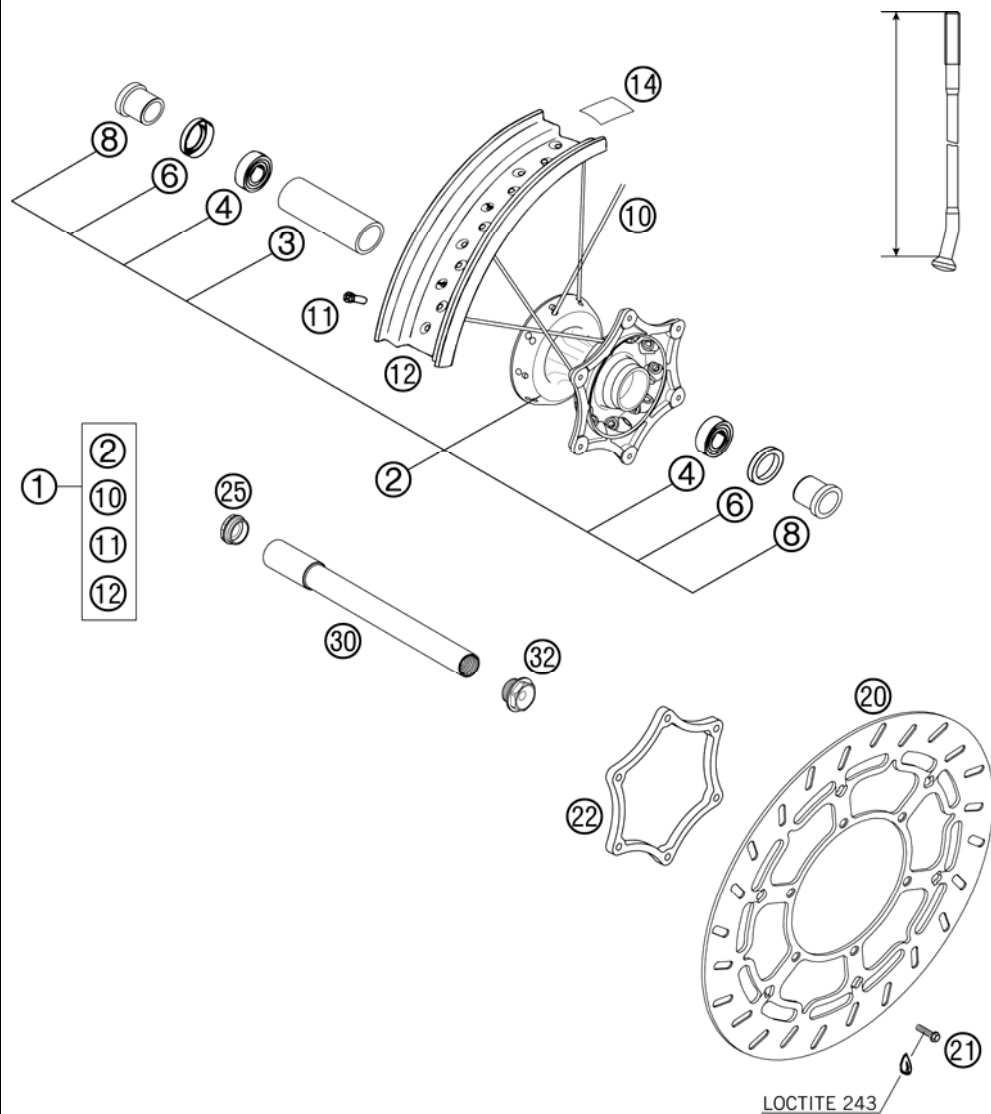


FIG	PART NUMBER	DESCRIPTION	QTY
1	58409001644	FRONT WHEEL SP 3,5X17" POL. 03	1
2	5480901004491	FRONT HUB CPL. SX SILVER 03	1
3	54809011000	BEA.SPACERTUBE 35X2 L=79,4 03	1
4	0625069068	GR.BALL BEAR.6906 DDU2CG23S6NM	2
6	0760354771	SHAFT SEAL RING 35X47X7 TC	2
8	54809012000	SPACER BUSHING F. FR. WHEEL 03	2
10	50309071175	SPOKE M4,5X175-15G 17" DDE	36
11	50309072000	SPOKE NIPPLE M4,5X0,75 8X21	36
12	58409070000	RIM FRONT 3,5X17" POLISHED	1
14	58309073000	RIM BAND 17"	1
20	58209060000	BRAKE DISK FRONT D=320MM 2002	1
21	59009062023	SPECIAL SCREW M6X23 WS=8 10.9	6
22	58409161000	BRAKE DISC SUPPORT SM 03	1
25	54809081050	PLUG BUSHING WS=27 03	1
30	58409081000	WHEEL SPINDEL FRO.D=26MM SM 03	1
32	54809082000	SPINDLE SCREW M24X1,5 WS=27 03	1

065840905 / C065840905

\* NEW PART

X AS REQUIRED

# REAR WHEEL

625 SMC EU 2006

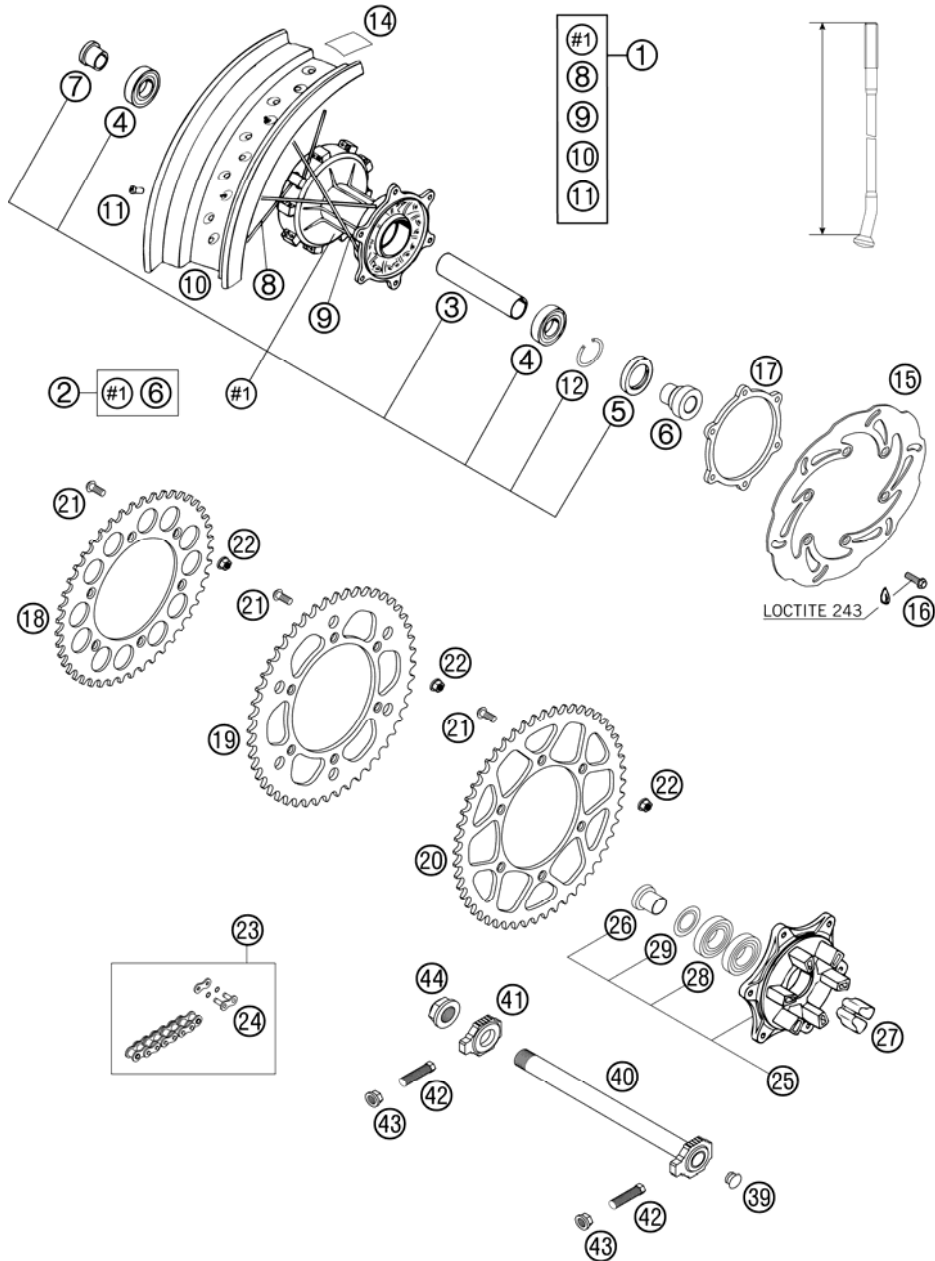


FIG	PART NUMBER	DESCRIPTION	QTY
1*	58410001944	REAR WHEEL-SP 5X17"POLISHED 06	1
2*	5841001024491	REAR WHEEL HUB CPL. 06	1
3	58410011000	BUSHING SPACER TUBE L=98,3MM	1
4	0625062052	GR.BALL BEAR. 6205-2RSHC3HMTF7	2
5	0760325272	SHAFT SEAL RING 32X52X7 B	1
6	58410017000	BUSHING FOR REAR WHEEL SM 03	1
7*	54610416500	BUSHING FOR REAR DAMPED HUB 06	1
8*	58310171100	SPOKE M5X199-16G 17"	18
9*	58310071100	SPOKE M5X186-26G 17"	18
10	58410070100	REAR RIM 5X17" POLISHED	1
11	58309072000	SPOKE NIPPLE M5-TA (8X21MM)	36
12	0472052200	CIRCLIP DIN0472-52X2	1
14	58309073000	RIM BAND 17"	1
15	58310060100	BRAKE DISC REAR D=220MM 2000	1
16	59009062019	SPECIAL SCREW M6X19 WS=8 10.9	6
17	58410061000	DISTANCE RING F. BRAKE DISC 03	1
18	58310051038	REAR SPROCKET 38-T	x
18	58310051042	REAR SPROCKET 42-T	1
18	58310151040	REAR SPROCKET 40-T	x
18	58310151045	REAR SPROCKET 45-T	x
19	58310151048	REAR SPROCKET 48-T	x
20	58310151050	REAR SPROCKET 50-T	x
20	58310151052	REAR SPROCKET 52-T	x
21	54510052100	SPROCKET SCREW-AH M8X26 WS=6	6
22	54310086200	SELF LOCKING NUT M8 10.9	6
23*	50310800118	CHAIN Z-RING 118 ROLLS 05 REGINA	1
24*	50310366000	MASTER LINK FOR 50310800118 REGINA	1
25*	58310050244	SPROCKET SUPPORT CPL. 05	1
26*	58310417200	BUSH. F.SPROCKETSUPPORT 06	1
27	54610459000	DAMPING RUBBER '91	6
28*	0625060058	GR.BALL BEAR.6005 DDU2CG23S6NM	2
29*	58310018000	SEAL WASHER 6005AV 06	1
39	50210086000	COVERING CAP SFL16	2
40	58410085044	WHEEL SPINDLE RE.CPL.L=270M 03	1

065841005 / C065841005

\* NEW PART

X AS REQUIRED



# WIRING HARNESS

625 SMC EU 2006

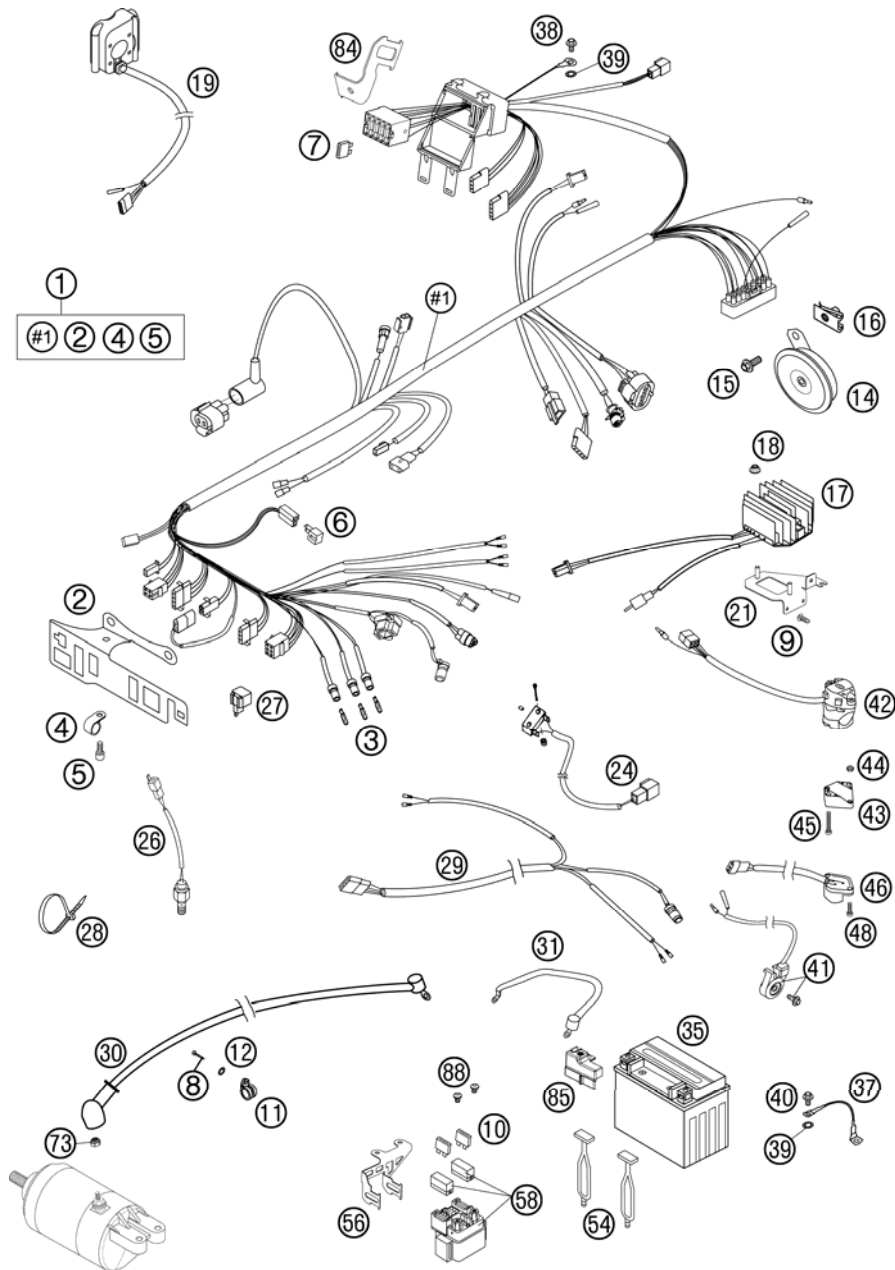


FIG	PART NUMBER	DESCRIPTION	QTY
1	58611075100	WIRING HARNESS 625 SMC 05	1
2	59011083000	SUPPORT BRACKET BLACK 2001	1
3	49111425000	BULB 12V 1,2W (W2X4,6D)	3
4	57013070100	PVC-CLAMP 7,9 MM HEYCO 3355	1
5	0912050083	AH SCREW DIN 912 M 5X8	1
6	58411096100	DIODE S3H-15 97	1
7	58011109110	FUSE 10 A 2000	x
8	0981480133	SHEET MET.SCR.DIN7981- 4,8X13	1
9	0016050121	SCREW FOR PLASTIC D=5X12	2
10	58011109120	FUSE 20 A 2000	x
11	45001070000	BRAKE CABLE CLAMP RSGU 9/12	1
12	0797050003	TOOTH LOCK WASH. DIN6797-J 5,3	1
14	50311060100	DC HORN L.E.B. 03	1
15	0014060153	HH COLLAR SCREW M 6X15 WS=8	1
16	54603048100	RANGE CHANGE METAL NUT M6	3
17	58411034100	VOLT.REGULATOR-RECTIFIER 12V	1
18	56509064100	SELF LOCKING NUT M6 10.9	2
19	59011074200	START-STOP TIP SWITCH 2001	1
21	58611055000	BRACKET REGULATOR 05	1
24	58411050000	BRAKE LIGHT SWITCH FRONT SM 03	1
26	50311051100	BRAKE LIGHT SWITCH REAR '98	1
27	44611207200	FLASHER UNIT 97	1
28	44011076100	CABLE TIE 100/2,5MM BLACK	x
28	44011076200	CABLE TIE 200/3,6MM BLACK	x
28	44011076305	CABLE TIE 300/4,8MM BLACK	x
29	58611076000	WIRING HARNESS REAR 05	1
30	58611059000	STARTERCABLE L=810MM 05	1
31	58611059050	BATTERY CABLE L=140MM 05	1
35	58411053100	BATTERY 12V 8,6AH 03	1
37	58611097000	GROUND CABLE L=80MM 05	1
38	0015060103	HH COLLAR SCREW M 6X10 WS=8	1
39	58411098100	CONTACT WASHER M6 VSV-K6	2
40	0015060123	HH COLLAR SCREW M 6X12 WS=8	1
41	58411045000	SIDE STAND SWITCH CPL. '97	1
42	50311070100	H.LIGHT SWITCH CEV EGS AUS.'98	1
43	13011070060	ADAPTER FOR FLASHER SWITCH '98	1

05586110 / C065861100

\* NEW PART

X AS REQUIRED

# WIRING HARNESS

625 SMC EU 2006

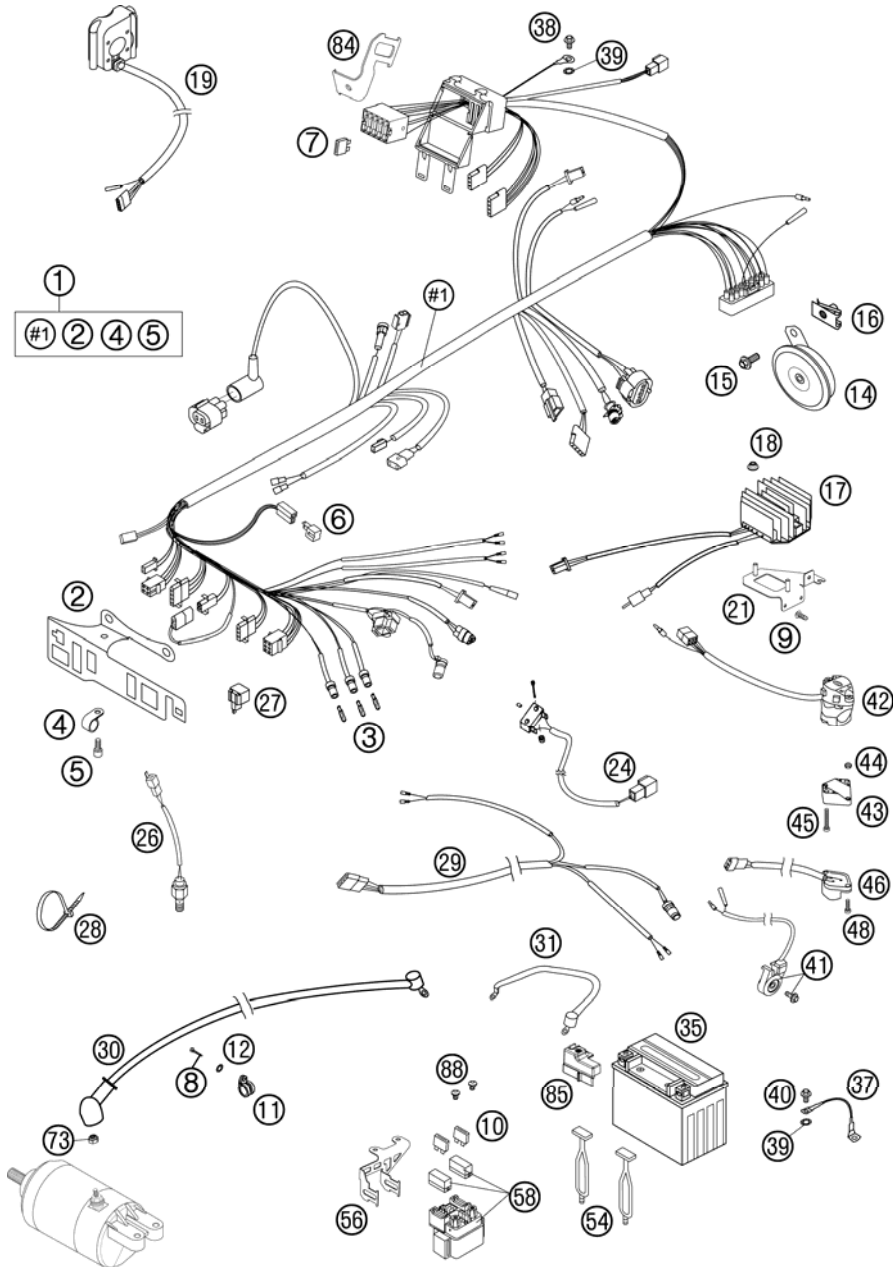


FIG	PART NUMBER	DESCRIPTION	QTY
44	0934040003	HEXAGON NUT DIN0934-M 4	2
45	0084040223	CYL.HEAD SCREW DIN0084-M 4X22A	2
46	50311029000	FLASHER SWITCH CEV '98	1
48	0985040163	FLAT HEAD SCREW DIN7985-M 4X16	2
54	50303018000	RUBBER L=145MM	2
56	58611058050	BRACKET STARTER RELAY 05	1
58	58211058000	STARTER RELAY 12V '99	1
73	0985060003	SELF LOCK. NUT DIN0985-M 6	1
84	58611087050	BRACKET FUSE BOX 05	1
85	58611059060	TERMINAL POST COVER 05	1
88	0902060083	AH OVAL SCREW ISO 7380 M 6X8	2

05586110 / C065861100

\* NEW PART

X AS REQUIRED

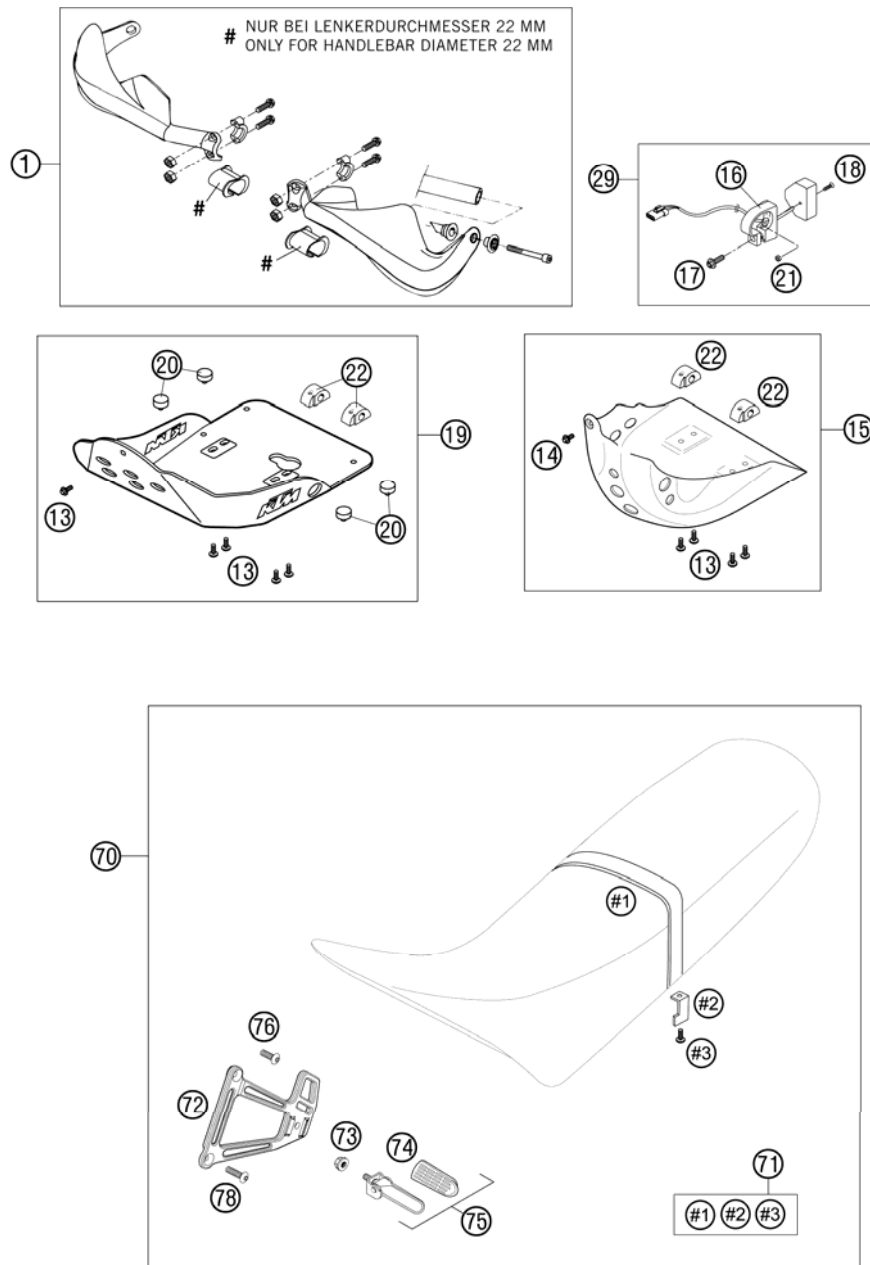


FIG	PART NUMBER	DESCRIPTION	QTY
1	6000207910004	HANDGUARD L/S+R/S CPL.ORANGE04	1
1	6000207910030	HANDGUARD L/S+R/S CPL.BLACK 04	1
13	0014060153	HH COLLAR SCREW M 6X15 WS=8	x
14	0014060103	HH COLLAR SCREW M 6X10 WS=8	1
15	58303005244	SKID PLATE PLASTIC	1
		PLASTIC	
16	50314068050	CLAMP FOR TRIPMASTER-SWITCH 03	1
17	0017060203	EJOT PT SCREW K60X20 WS=6	1
18	0965040125	FLAT HEAD SCREW DIN0966-M 4X20	1
19	58412099044	SKID PLATE LIMITED CPL. 97	1
		ALUMINIUM	
20	54308042000	RUBBER BUFFER	4
21	0934040003	HEXAGON NUT DIN0934-M 4	1
22	58003012200	ENGINE PROTECTOR BRACKET '97	2
29	54814073000	TRIPMASTER-SWITCH 05	1
70	58612070044	MODIFICATION KIT PASSENGER 05	1
71	58607046000	MOUNTING PARTS FOR SEAT 05	1
72	5810300420030	FOOTREST BRACKET R/S BLACK	1
72	5870304800030	FOOTREST BRACKET RE.L/S BLA.04	1
73	54630044000	COLLAR NUT M10 WS=13	2
74	58303051000	FOOTREST RUBBER L/S&R/S DUKE95	2
75	58303050044	FOOTREST REAR L/S CPL. '95	1
75	58303150044	FOOT REST REAR R/S CPL. '95	1
76	54510052100	SPROCKET SCREW-AH M8X26 WS=6	2
78	54510052200	AH SCREW 8X29 FL.HEAD 04	2

05586125 / C065861205

\* NEW PART

X AS REQUIRED



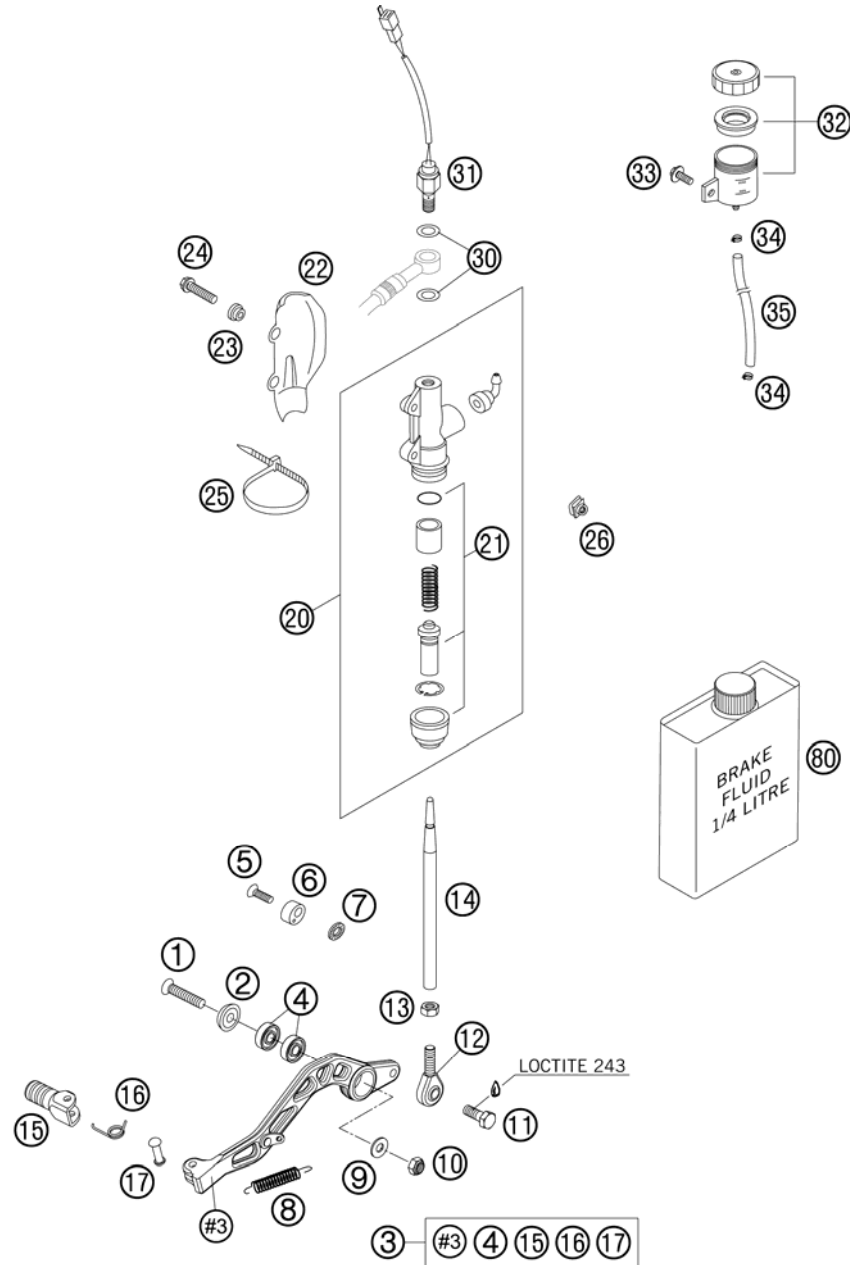


FIG	PART NUMBER	DESCRIPTION	QTY
1	0991080353	FLAT HEAD SCREW DIN7991-M 8X35	1
2	58303061000	SPECIAL WASHER ALU 8 X 24 MM	1
3	58403070244	FOOT BRAKE LEV. FOLDING CPL.04	1
4	0625006087	GROOVED BALL BEAR. 608 2RS C3	2
5	0991060203	FLAT H.SCREW DIN7991-M6X20 8.8	1
6	58413048000	BRAKE LEVER STOP LC4 03	1
7	0797060003	TOOTH LOCK WASH. DIN6797-A 6,4	1
8	13003062000	RETURN SPRING	1
9	0125080003	WASHER DIN0125-A 8,4	1
10	0985080003	SELF LOCKING NUT DIN0985-M 8	1
11	0933080223	HH SCREW DIN0933-M 8X22 8.8	1
12	58303062000	HEIM JOINT M8 W=12MM '93	1
13	0934080003	HEXAGON NUT DIN0934-M 8	1
14	58303068100	PUSH ROD ALU L=178MM '93	1
15	54634131000	STEP PLATE FOR SHIFT LEVER 250	1
16	54634032100	SHIFTING LEVER SPRING 250	1
17	54634031050	BOLT 6X25 FOR SHIFT LEVER	1
20	54513101044	MAIN BRAKE CYLINDER '89	1
21	54513150000	REPAIR KIT PISTON 13MM	1
22	54513038000	BRAKE CYL. PROTECTOR "BREMBO"	1
23	50213161000	COLLAR BUSHING	2
24	0015060253	HH COLLAR SCREW M 6X25 WS=8	2
25	44011076200	CABLE TIE 200/3,6MM BLACK	1
26	50235033300	SNAP-NUT HOLDER M6 KP142	2
30	42013226000	CU-SEAL RING DIN7603-10X16X1	2
31	50311051100	BRAKE LIGHT SWITCH REAR '98	1
32	54513030044	BRAKE FLUID RESERVOIR '89	1
33	0014060103	HH COLLAR SCREW M 6X10 WS=8	1
34	58007017000	YDNAC CLAMP 10101 (9MM)	2
35	58007016101	HOSE FOR RESERVOIR 6X1,5	1
80	306054	BRAKE FLUID DOT 5.1 1/4 LITRE	1

065831301 / C065841306

\* NEW PART

X AS REQUIRED



# BRAKE CALIPER FRONT

625 SMC EU 2006

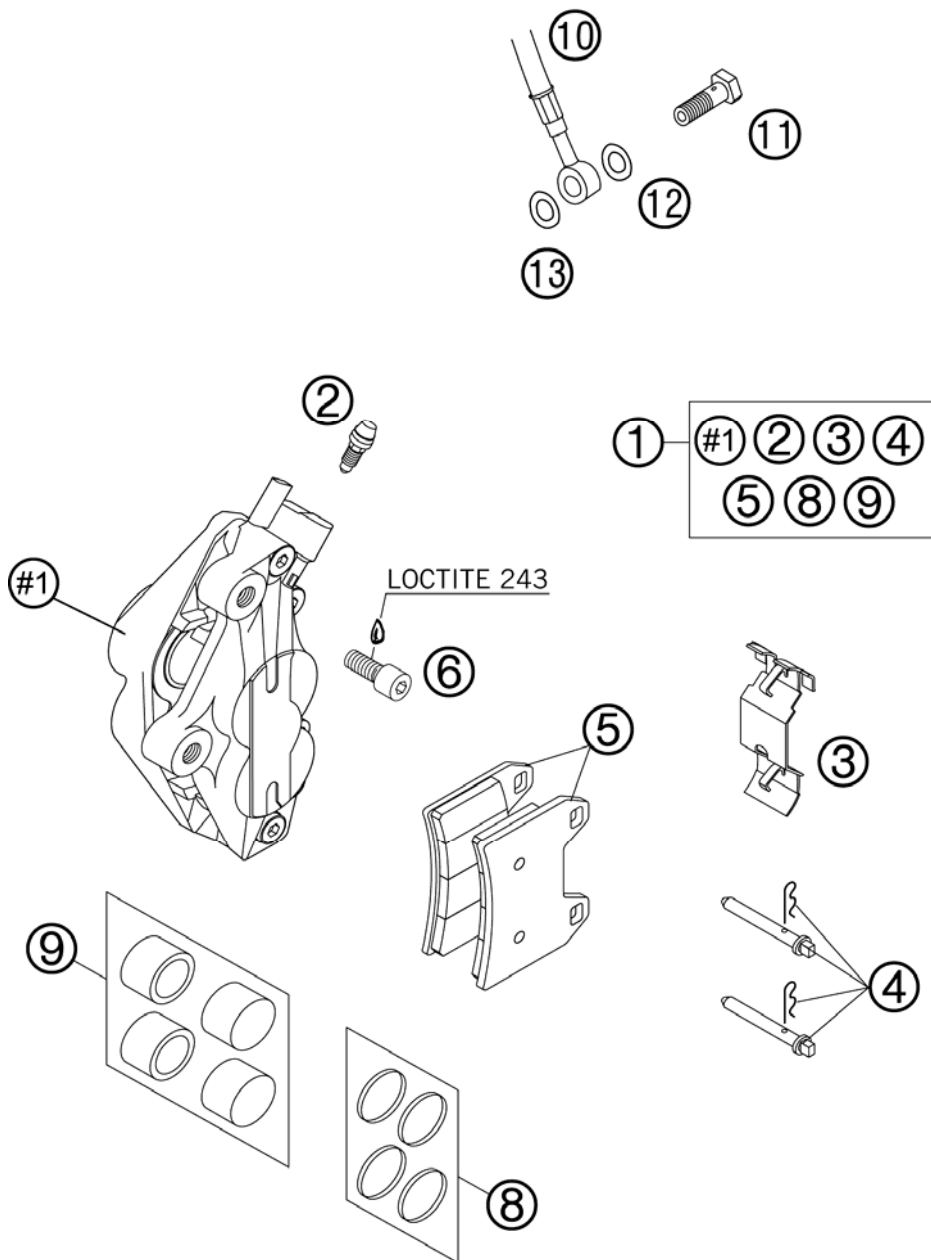


FIG	PART NUMBER	DESCRIPTION	QTY
1	58713015000	BRAKE CALIPER FR. GOLD DUKE'99	1
2	58713020000	BLEEDER SCREW M10X1 '99	1
3	58713018000	RETAINING SPRING BREMBO '99	1
4	58713017000	BOLT WITH CLIP '99	2
5	58713030000	BRAKE PAD SET FR.FERIT ID405FF	1
6	0912100309	AH SCREW DIN912 M10X30 10.9	2
8	58713021000	REPAIR KIT SEAL.-RINGS DUKE 02	1
9	58713019000	BRAKE PISTON DUKE 2002	1
10	58413011500	BRAKE HOSE FRONT SM 2004	1
11	50213025000	HOLLOW SCREW M10X1X19	1
12	42013226000	CU-SEAL RING DIN7603-10X16X1	1
13	42013026000	CU-SEAL RING DIN7603-10X16X1,5	1

065841307 / C065841307

\* NEW PART

X AS REQUIRED

# HAND BRAKE CYLINDER

625 SMC EU 2006

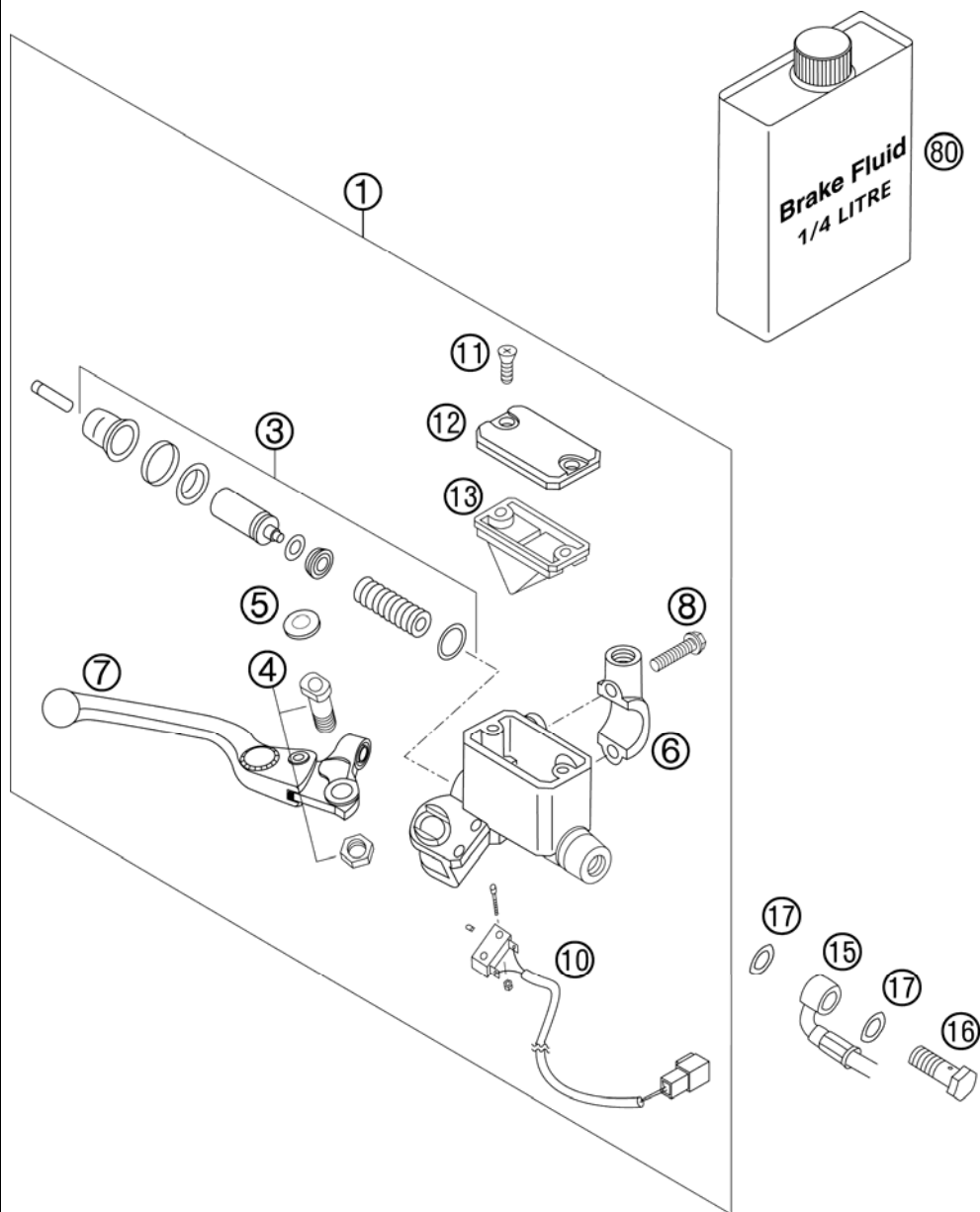


FIG	PART NUMBER	DESCRIPTION	QTY
1	58713001100	HANDBRAKE CYL.DUKE ADJUST.2003	1
3	58313050100	REPAIR KIT CPL. D=13MM	1
4	54413015000	LEVER SCREW CPL.	1
5	58713004000	COVERING CAP FOR LEVER SCREW	1
6	58012040050	CLAMP MIRROW M10X1,25	1
7	58713002100	HAND BRAKE LEVER LOOSE ADJ. 03	1
8	0015060203	HH COLLAR SCREW M 6X20 WS=8	2
10	58411050000	BRAKE LIGHT SWITCH FRONT SM 03	1
11	0965050163	FLAT HEAD SCREW DIN0965-M 5X16	2
12	58313012000	COVER BREMBO DUKE '94	1
13	58313009000	RUBBER BOOT DUKE	1
15	58413011500	BRAKE HOSE FRONT SM 2004	1
16	50213025000	HOLLOW SCREW M10X1X19	1
17	42013226000	CU-SEAL RING DIN7603-10X16X1	2
80	306054	BRAKE FLUID DOT 5.1	1

04586130 / C065861303

\* NEW PART

X AS REQUIRED

# BRAKE CALIPER REAR

625 SMC EU 2006

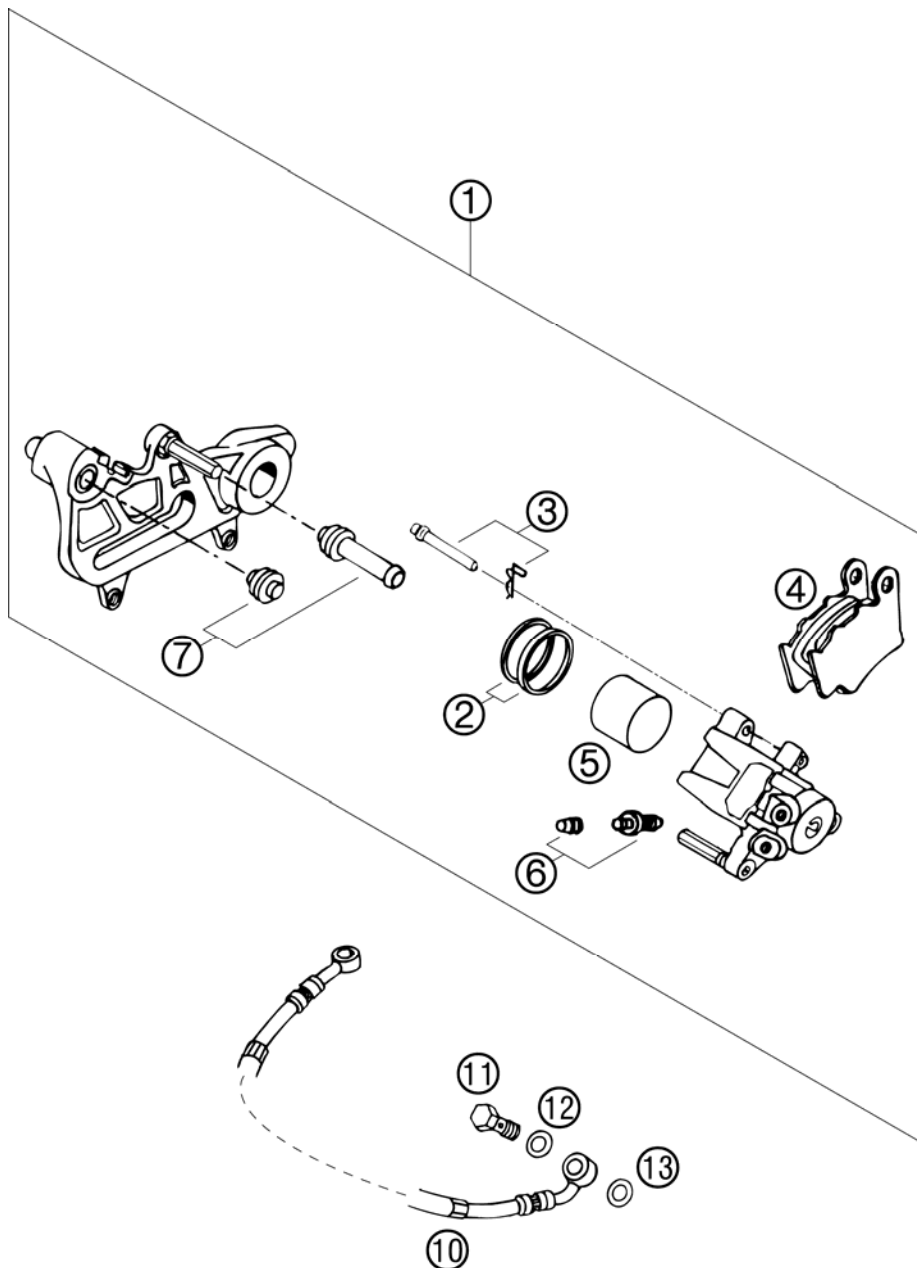


FIG	PART NUMBER	DESCRIPTION	QTY
1	58413080044	BRAKE CALIPER REAR CPL.GOLD 03	1
2	54613318200	REPAIR KIT SEALING RINGS 34MM	1
3	54613310200	BOLT SET	1
4	54613309200	BRAKE PAD SET REAR ID450	1
5	54613305200	BRAKE PISTON 34MM	1
6*	60013020000	BLEEDER SCREW WITH CAP	1
7	54613218000	CUP SET SHORT	1
10	58313070000	BRAKE HOSE REAR 790MM '97	1
11	50213025000	HOLLOW SCREW M10X1X19	1
12	42013226000	CU-SEAL RING DIN7603-10X16X1	1
13	42013026000	CU-SEAL RING DIN7603-10X16X1,5	1

02584132 / C065861307

\* NEW PART

X AS REQUIRED

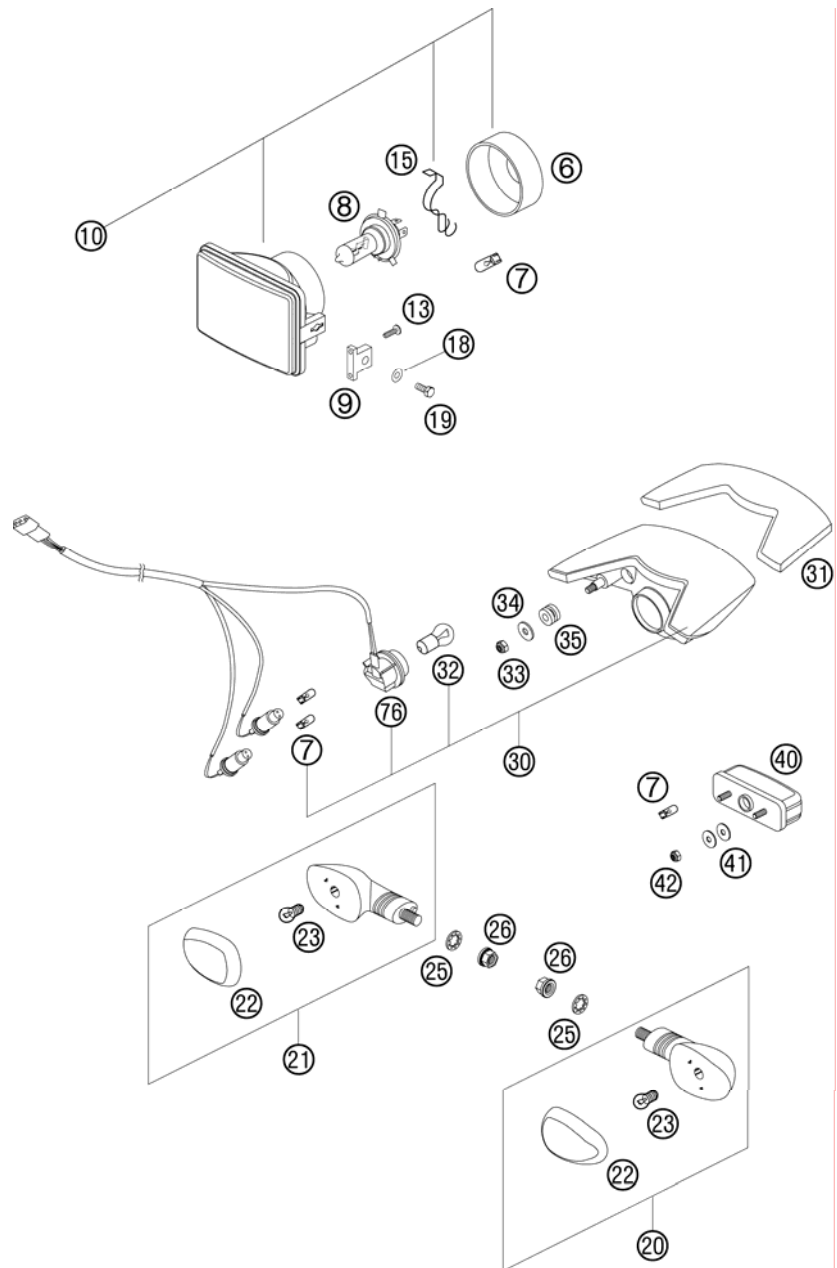


FIG	PART NUMBER	DESCRIPTION	QTY
6	50211537000	RUBBER CAP	1
7*	49011435100	BULB 12V 5W (W2,1X9,5D) PHIL.	4
8	57111038000	BULB H4 12V 60/55W (P43T)	1
9	58414010100	HEAD LIGHT SUPPORT 2001	2
10	59014002000	HEAD LIGHT 186(RI)"1003202 R"	1
10	59014002100	HEAD LIGHT 186(LE)"1003203 L"	1
13	0016040183	SCREW FOR PLASTIC D=4X18	4
15	49011436100	BULB HOLDER	1
18	0125060003	WASHER DIN0125-A 6,4	2
19	0933060203	HH SCREW DIN0933-M 6X20	2
20	5841402500030	FLASHER CPL.FRONT L/S REAR R/S	2
21	5841402600030	FLASHER CPL.FRONT R/S REAR L/S	2
22	58414028000	FLASHER LENS L/S & R/S '98	4
23	44111015100	BULB 12V 10W (BA15S)	4
25	0797100003	LOCK WASHER DIN6797-J10,5 ZI	2
26	58414030000	HH COLLAR NUT M10X1,25 WS=13	4
30	58614040044	REAR LIGHT CPL. 05	1
31	58614040050	METAMOLL FOR HEAD LIGHT 05	1
32	60014048000	BULB 12V 21W	1
33	0985060003	SELF LOCK. NUT DIN0985-M 6	2
34	0021060003	WASHER DIN9021-A 6,4	2
35	58214069051	RUBBER GROMMET 16X10,8X3 02	4
40	58414047000	LICENSE-PLATE ILLUMINATION '98	1
41	0021050003	WASHER DIN9021-A 5,3	4
42	0985050003	SELF LOCKING NUT DIN0985-M 5	2
76	58611076100	CABLE HARNESS REAR PART 05	1

05586140 / C065861400

\* NEW PART

X AS REQUIRED

# SPEEDOMETER

625 SMC EU 2006

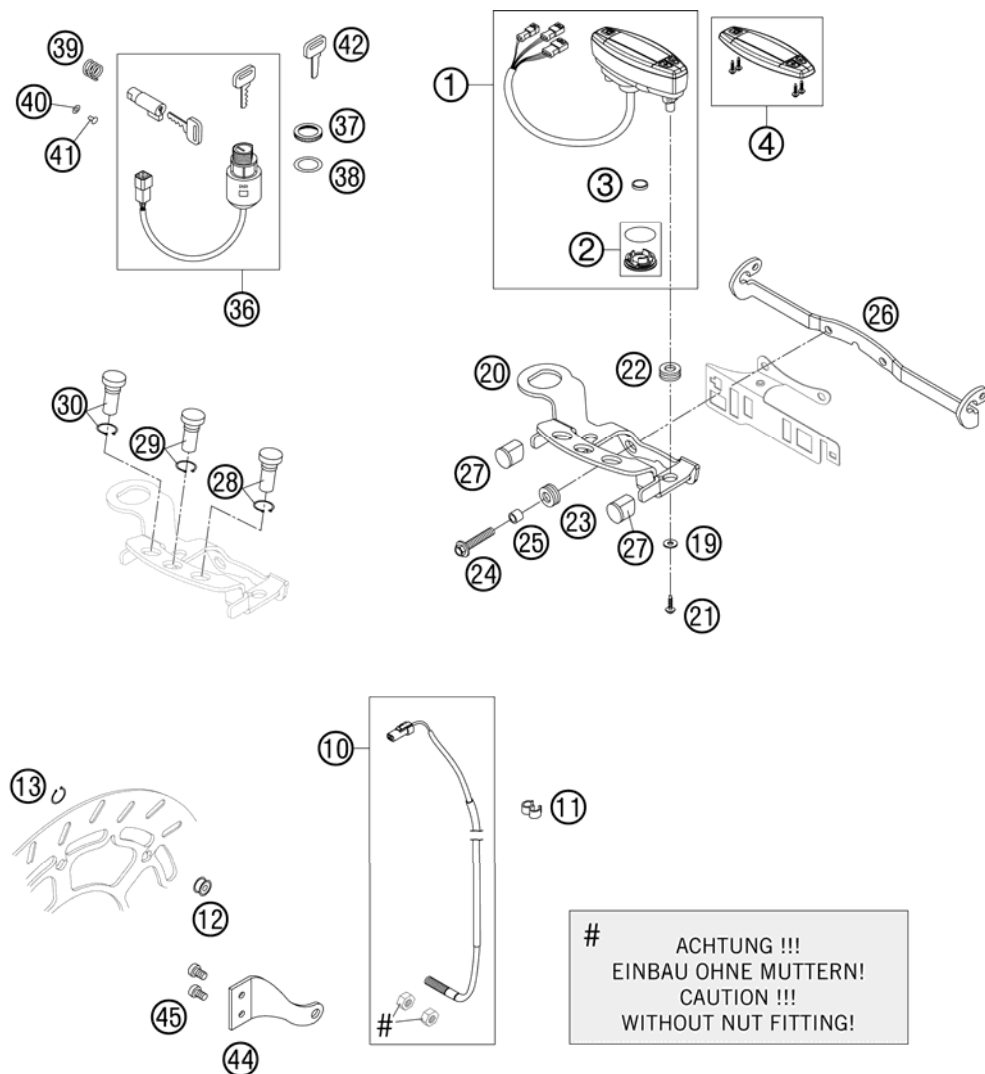


FIG	PART NUMBER	DESCRIPTION	QTY
1	54814069200	SPEEDOMETER KM/H F. 17" 2005 REPROGRAMMABLE: KM/H - MPH	1
2	54814069010	BATTERY COVER F. SPEEDOM. 2005	1
3	58314068000	BATTERY F. SPEEDOM. M.A.E. 02	1
4	54814069020	SPEEDOMETER TOP PART 05	1
10	54814068000	CABLE FOR DIGITAL SPEEDOM. 05	1
11	55011022100	CLAMP D=6/8MM, BLACK	2
12	58214069050	SENSOR MAGNET ADVENTURE 01	1
13	0471009104	CIRCLIP DIN0471- 9X1 INOX	1
19	0021050003	WASHER DIN9021-A 5,3	2
20	58614060100	SPEEDOM.BRACKET 625 SXC+SMC 05	1
21	0016050121	SCREW FOR PLASTIC D=5X12	2
22	58214069051	RUBBER GROMMET 16X10,8X3 02	2
23	31008060000	RUBBER SLEEVE D=8MM OPEN	2
24	0014060253	HH COLLAR SCREW M 6X25 WS=8	2
25	58011039000	SPACER BUSHING 6,5 X 8 X 7	2
26	58314033100	FLASHER BRACKET 2002	1
27	58608003000	PLUG CAP KV8 05	2
28	58011024300	FLASHER INDICAT.LIGHT GREEN'98	1
29	58011021300	H.BEAM INDICATOR LIGHT BLUE'98	1
30	58011023300	NEUTRAL INDIC. LIGHT GREEN '98	1
36	58411066400	LOCK SYSTEM 625 SXC 03	1
37	50311066050	IGNITION LOCK NUT M24X1	1
38	58411066450	WASHER F. IGNITION LOCK 03	1
39	12003007052	SPRING L=16MM	1
40	0137030003	SPRING WASHER DIN137 B3	1
41	45002040091	GROOVED NAIL RIVETO AF10	1
42	40011166200	KEY BLANK 2-STROKE/HUSABERG	x
44	58314052000	BRACKET F. SENSOR SM 03	1
45	0084040063	CYL.HEAD SCREW DIN0084-M 4X 6A	2

05586141 / C065861401

\* NEW PART

X AS REQUIRED







KTM-Sportmotorcycle AG  
A-5230 Mattighofen  
[www.ktm.at](http://www.ktm.at)

KTM Group Partner



3CF9703F4EN



Art.Nr.: 3CF9703F4EN 10/2005