

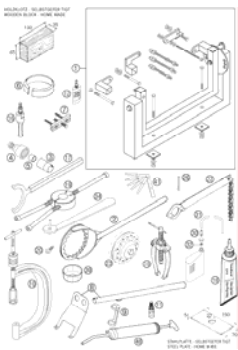
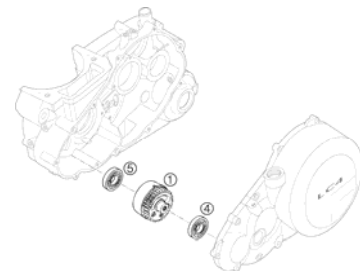
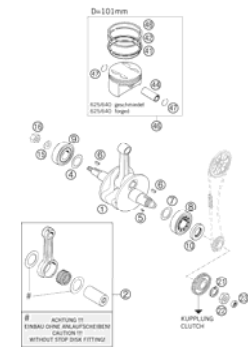
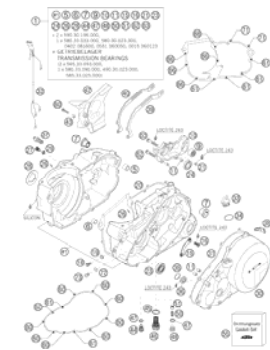
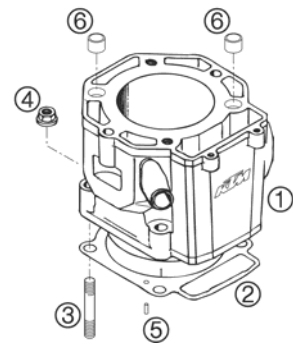
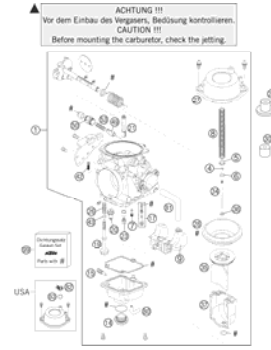

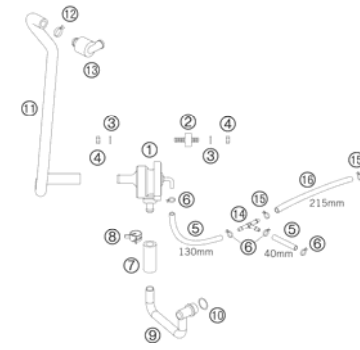
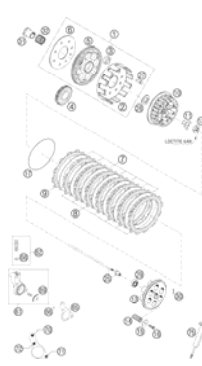
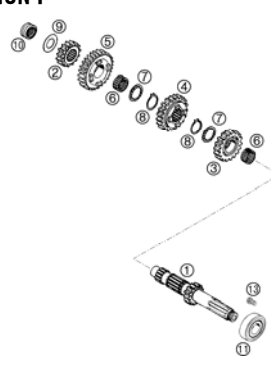
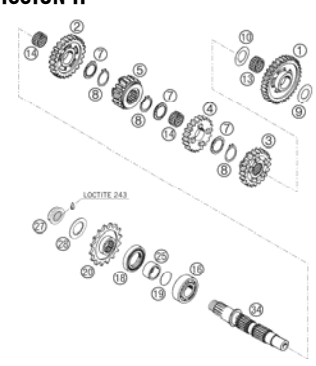
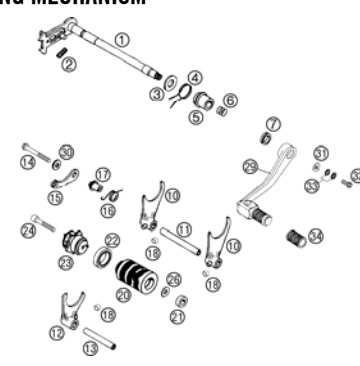
640 LC4 ADVENTURE 2007

SPARE PARTS MANUAL: ENGINE

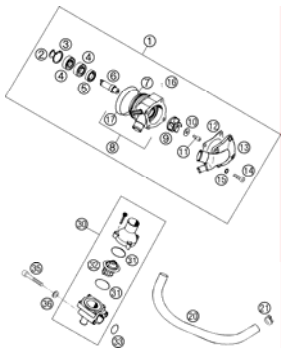
ART.NO.: 3CM088246GEN

ENGLISH



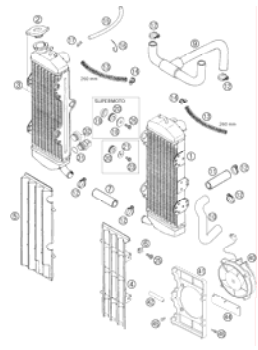
| | | | |
|-----------------------------------------------------------------------------------------------------------------------|---------------------------------------------------------------------------------------------------------------------------|-------------------------------------------------------------------------------------------------------------------------------------|---------------------------------------------------------------------------------------------------------------------------------|
| SPECIAL TOOLS  3 | BALANCER SHAFT  5 | CRANKSHAFT, PISTON  6 | ENGINE CASE  7 |
| CYLINDER  9 | CARBURETOR  10 | ELECTRONIC POWER CONTROL  12 | SECONDARY AIR SYSTEM  13 |
| CLUTCH  14 | TRANSMISSION I  15 | TRANSMISSION II  16 | SHIFTING MECHANISM  17 |

WATER PUMP



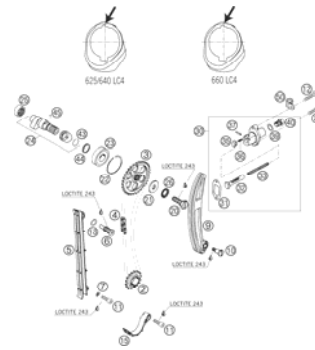
18

COOLING SYSTEM



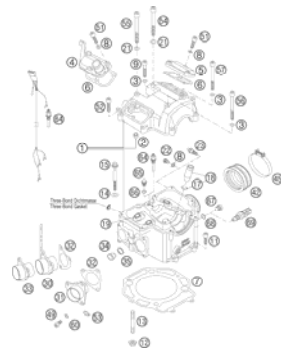
19

TIMING VALVE




21

CYLINDER HEAD



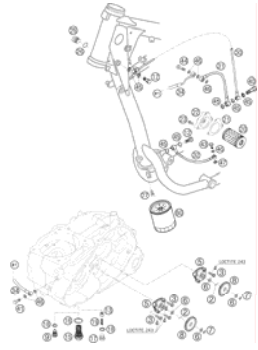
22

VALVE DRIVE



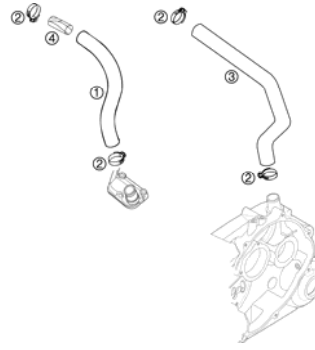
24

LUBRICATING SYSTEM



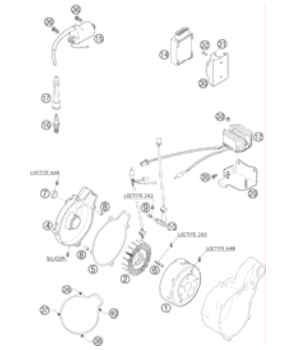
25

ENGINE EXHAUST



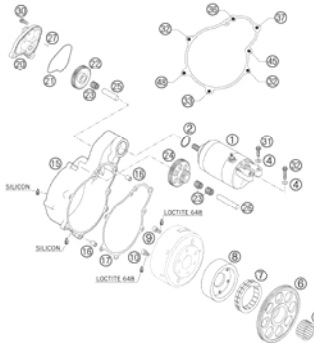
27

IGNITION SYSTEM



28

ELECTRIC STARTER

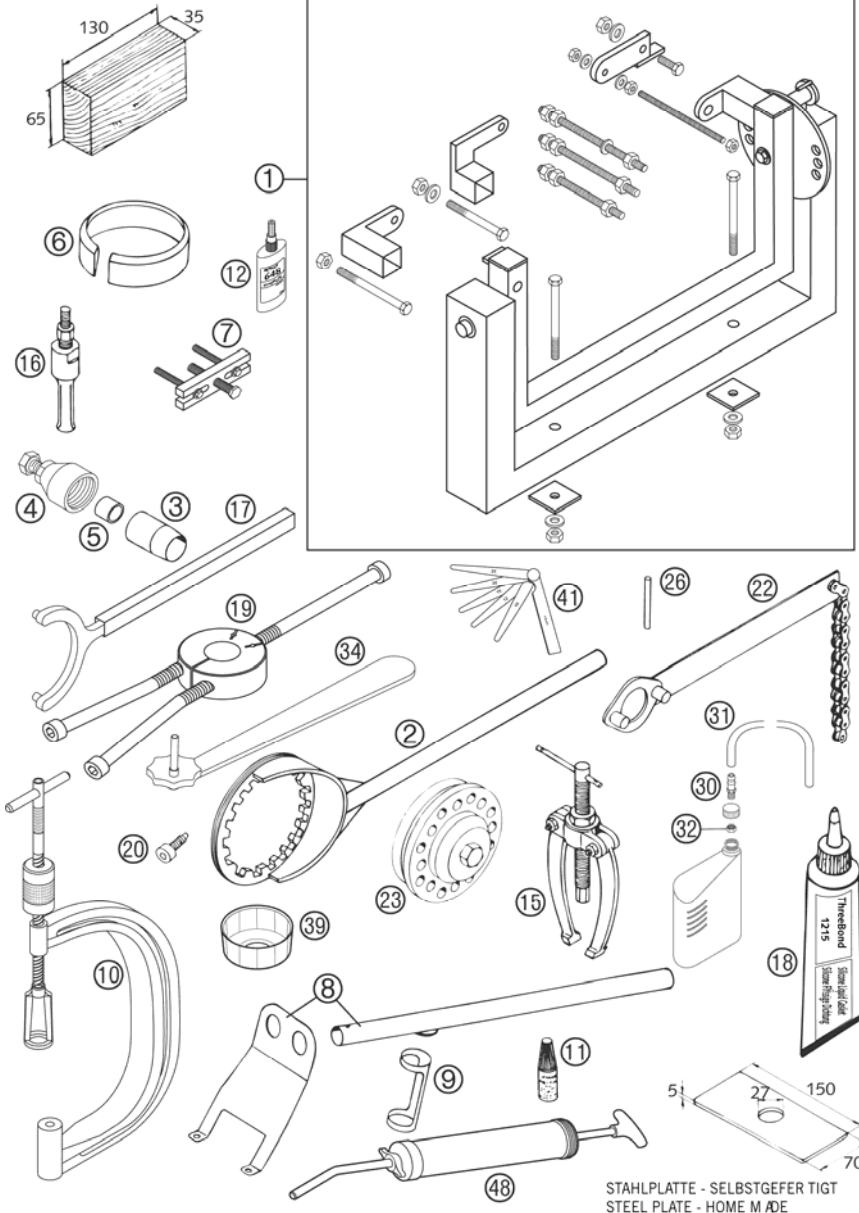


29

!

All information contained is without obligation. KTM-Sportmotorcycle AG particularly reserves the right to modify any equipment, technical specifications, prices, colors, shapes, materials, services, service work, constructions, equipment and the like so as to adapt them to local conditions or to cancel any of the above items, all without previous announcement and without giving reasons. KTM may stop manufacturing certain models without previous notice. KTM shall not be held liable for any deviations of availability and/or ability to deliver, illustrations, descriptions, printing and/or other errors. The illustrated models partly contain extra equipment, which is not applied to standard models. © by KTM-SPORTMOTORCYCLE AG, Mattighofen AUSTRIA; All rights reserved; Reprint, also in extracts, with written allowance of KTM-SPORTMOTORCYCLE AG, Mattighofen only.

HOLZKLOTZ - SELBSTGEFER TIGT
WOODEN BLOCK - HOME MADE



STAHLPLATTE - SELBSTGEFER TIGT
STEEL PLATE - HOME MADE

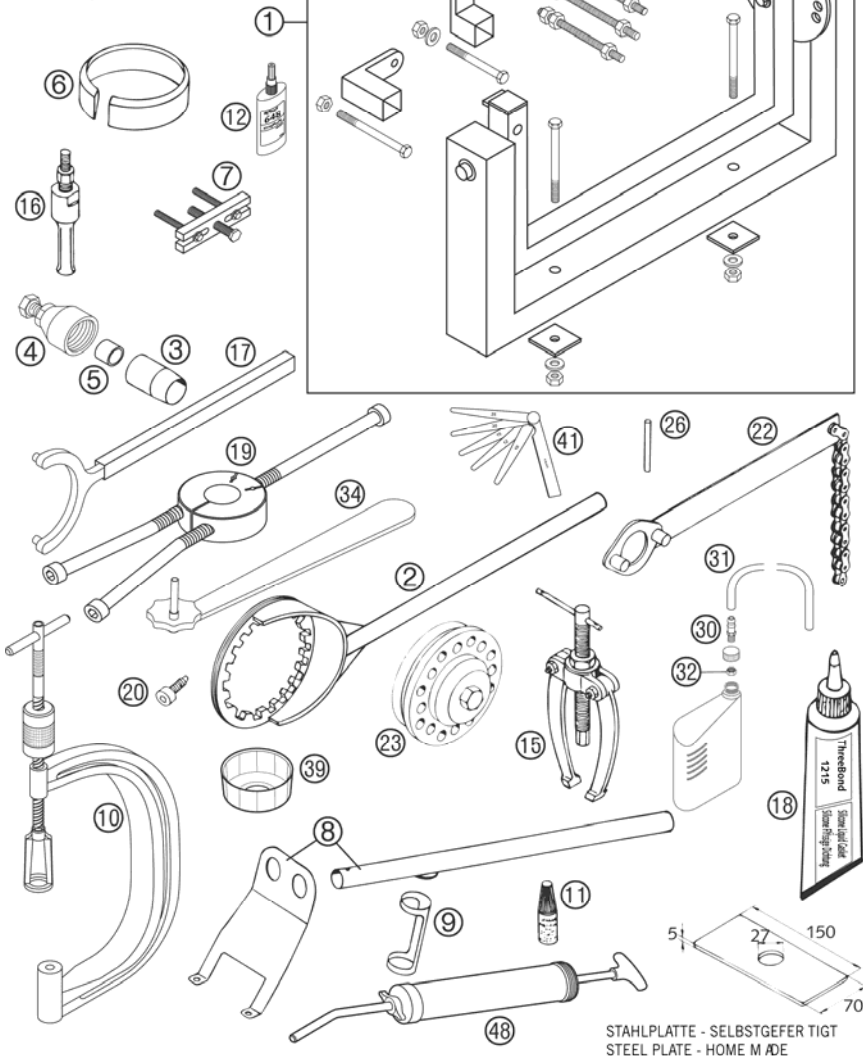
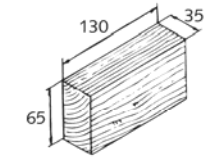
| FIG | PART NUMBER | DESCRIPTION | QTY |
|-----|-------------|-----------------------------------------------------|-----|
| 1 | 56012001044 | UNIVERSAL MOUNTING RACK CPL. | 1 |
| 2 | 58329003000 | CLUTCH HOLDER D=160MM LC4'94 | 1 |
| 3 | 58012005025 | MOUNTING SLEEVE D=25MM FOR CRANKSHAFT SEAL L/S | 1 |
| 4 | 58012009000 | FLYWHEEL EXTRACTOR 660 SMS | 1 |
| 4 | 58429009000 | MAGNETO EXTRACTOR | 1 |
| 5 | 51012016000 | PROTECTION CAP CRANKSHAFT M12 | 1 |
| 5 | 58429031000 | PROTECTOR CAP F.CRANKSHAFT M16 | 1 |
| 6 | 58012015101 | PISTON RING COMPRESSOR D=101MM 625/640 | 1 |
| 6 | 58529015102 | PISTON RING COMPRESSOR D=102MM 660 | 1 |
| 7 | 59029021044 | EXTRACTOR PRIM. GEAR CPL. WITH M4, M5, M6 SCREWS | 1 |
| 8 | 58012019000 | VALVE INSTALLATION KIT | 1 |
| 9 | 6276470 | PUSH INSERT | 1 |
| 10 | 59029019000 | VALVE SPRING LEVER | 1 |
| 11 | 6899785 | LOCTITE 243 BLUE 6CCM | x |
| 12 | 58429059000 | LOCTITE 648 GREEN 24ML | x |
| 15 | 15112017000 | BUSHING EXTRACTOR | 1 |
| 16 | 15112018000 | INTERN.BEAR.PULLER 12-16 MM | 1 |
| 16 | 15112018100 | INTERN.BEAR.PULLER 18-23 MM | 1 |
| 17 | 58429012000 | HOLDING WRENCH FOR WHEEL | 1 |
| 18 | 309098 | SILICON GASKET THREE-BOND | 1 |
| 19 | 58429037040 | MOUNTING TOOL F.BEARING NJ 306 | 1 |
| 19 | 58429037043 | MOUNTING TOOL F.BEARING NJ 207 | 1 |
| 20 | 58030080000 | LOCATING SCREW M8 L=23 | 1 |
| 22 | 51012012000 | HOLDING SPANNER FOR SPROCKET | 1 |
| 23 | 54629027000 | RIVETTING TOOL FOR CLUTCH | 1 |
| 26 | 58029026007 | LIMIT PLUG GAUGE F.VALVE GUIDE D=7,05 MM | 1 |
| 30 | 59030022000 | BLEEDER FLANGE M8 WS=10 '99 | 1 |
| 31 | 31007107001 | PVC-HOSE 6X9 MM PER METER | x |
| 32 | 0934080003 | HEXAGON NUT DIN0934-M 8 | 1 |
| 34 | 59029034000 | WRENCH F.MIXTURE CONTROL SCREW 660 | 1 |

05584290 / C065842900

* NEW PART

X AS REQUIRED

HOLZKLOTZ - SELBSTGEFER TIGT
WOODEN BLOCK - HOME MADE



STAHLPLATTE - SELBSTGEFER TIGT
STEEL PLATE - HOME M/DE

| FIG | PART NUMBER | DESCRIPTION | QTY |
|-----|-------------|---------------------------------------------------------|-----|
| 39 | 58329039000 | WRENCH SCREW FILTER | 1 |
| 41 | 59029041000 | FEEL. GAUGE SET 10,12,15,20,25 | 1 |
| 48 | 58429048000 | INJEKTION FOR FRONT PIPE '99 DEAERATE FOR FRONT PIPE | 1 |

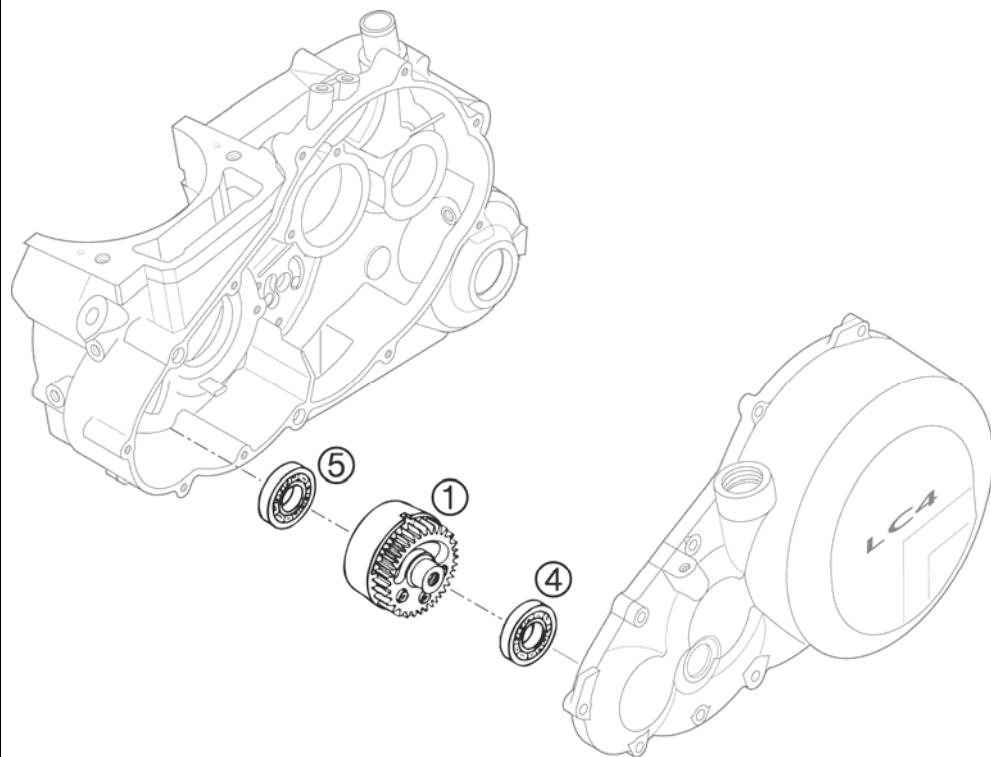
05584290 / C065842900

* NEW PART

X AS REQUIRED

BALANCER SHAFT

640 LC4 ADVENTURE 2007



| FIG | PART NUMBER | DESCRIPTION | QTY |
|-----|-------------|--------------------------------|-----|
| 1 | 57330057044 | BALANCER SHAFT CPL. STEEL | 1 |
| 4 | 0625160040 | GROOVED BALL BEAR. TM 16004 C3 | 1 |
| 5 | 0412174012 | CYLIND.ROLL.NJ 203 ECP/C3 2001 | 1 |

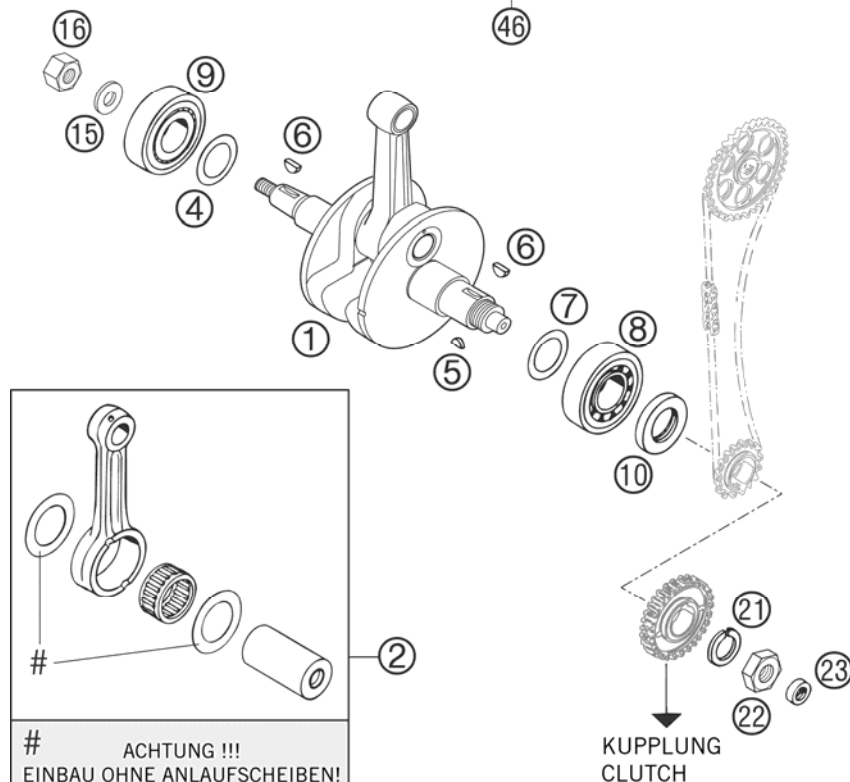
05584304 / C065833004

* NEW PART

X AS REQUIRED

CRANKSHAFT, PISTON

640 LC4 ADVENTURE 2007



ACHTUNG !!!
EINBAU OHNE ANLAUFSCHREIBEN!
CAUTION !!!
WITHOUT STOP DISK FITTING!

| FIG | PART NUMBER | DESCRIPTION | QTY |
|-----|----------------|-------------------------------------------------|-----|
| 1 | 58430018300 | CRANKSHAFT CPL. LC4 05 STROKE 78MM | 1 |
| 2 | 58430015044 | CON.ROD REPAIR KIT 620/625/640 CCM L=141,5MM | 1 |
| 4 | 56530081000 | SHIM WASHER 36X48X0,10 | x |
| 4 | 56530081100 | SHIM WASHER 36X48X0,15 | x |
| 4 | 56530081300 | SHIM WASHER 36X48X0,30 | x |
| 5 | 0888030050 | WOODRUFF KEY DIN6888-3X5X13 | 1 |
| 6 | 6946005 | WOODRUFF KEY 5X6,5 HARDED | 2 |
| 7 | 56030081000 | THRUST WASHER 30,5X45X0,10 | x |
| 7 | 56030081100 | THRUST WASHER 30,7X47X0,15 | x |
| 7 | 56030081200 | THRUST WASHER 30,5X45X0,30 | x |
| 8 | 58030082000 | CYL.ROLLER BEARING NJ 306 C3 | 1 |
| 9 | 56530123000 | CYL.ROLLER BEAR. NJ 207 ECP C3 | 1 |
| 10 | 0760304772 | SH.SEAL RING 30X47X7 BSL VITON | 1 |
| 15 | 58330095000 | STEEL WASHER 16 X 30 X 3 | 1 |
| 16 | 58430028000 | HEX NUT M16x1,25 L/S | 1 |
| 21 | 58030019000 | LOCKING RING VSK 20 | 1 |
| 22 | 0936200155 | HEXAGON NUT DIN0936-M20X1,5 | 1 |
| 23 | 0760122270 | SHAFT SEAL RING 12 X 22 X 7 B | 1 |
| 41 | 58330031300 | OIL SCRAPER RING 101x2,5 | 1 |
| 42 | 58330932100 | TAP.COMPR.PISTON RING 101X1,25 | 1 |
| 44 | 58330833000 | PISTON PIN 22 X 13 X 60 | 1 |
| 46 | 58430007100 I | PISTON I CPL. D=101 ELKO 03 | 1 |
| 46 | 58430007100 II | PISTON II CPL. D=101 ELKO 03 | 1 |
| 47 | 58430074000 | CIRCLIP 22 X 1,6 | 2 |
| 48 | 58430032000 | L-RING 101X93,5X1,5 2000 | 1 |

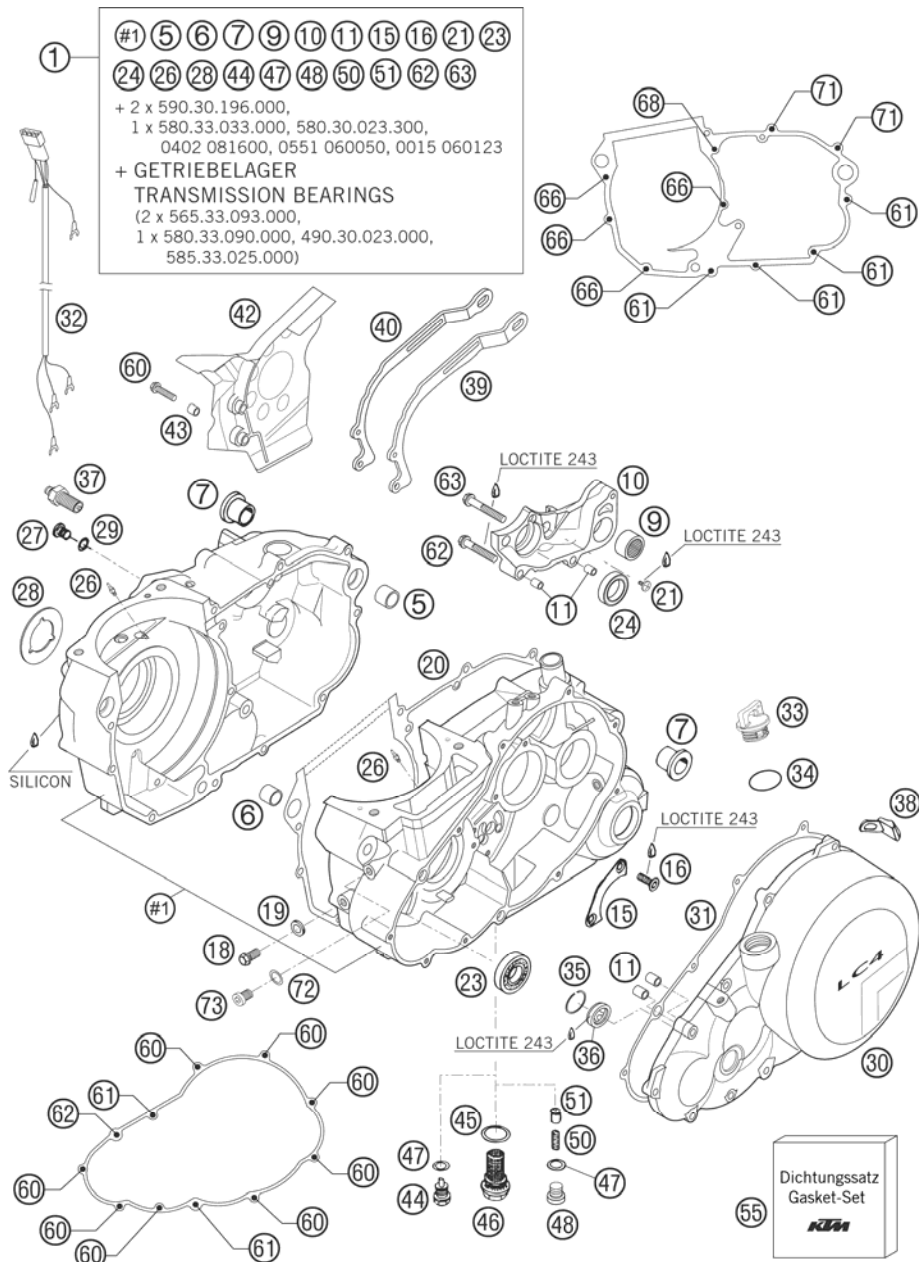
05584302 / C065843002

* NEW PART

X AS REQUIRED

ENGINE CASE

640 LC4 ADVENTURE 2007



| FIG | PART NUMBER | DESCRIPTION | QTY |
|-----|---------------|--------------------------------------------------------|-----|
| 1 | 5843000034423 | ENGINE CASE CPL.W.BEAR. LC4 05 GREY | 1 |
| 5 | 50130027000 | DOWEL 19 X15,1X12 | 1 |
| 6 | 51030026100 | DOWEL 17 X 13 X 12 | 1 |
| 7 | 50130010000 | CRANK CASE BUSH | 2 |
| 9 | 58033097000 | NEEDLE BEARING HK 2216 | 1 |
| 10 | 58330011000 | SHIFT MECHANISM SUPPORT LC4'94 | 1 |
| 11 | 49030090000 | DOWEL 9,8 X 7 X 10 | 4 |
| 15 | 56530017000 | RETAINING PLATE | 1 |
| 16 | 0991060166 | FL.HEAD SCR.DIN7991-M6X16 10.9 | 2 |
| 18 | 0015080163 | HH COLLAR SCREW M 8X16 WS=10 | 1 |
| 19 | 0603082121 | SEAL RING CU DIN7603- 8X12X1 | 1 |
| 20 | 58530039400 | ENGINE CASE SIL C4302 0,5 | 1 |
| 21 | 0985050103 | OVAL HEAD SCR. DIN7985-M 5X10 | 1 |
| 23 | 0412174012 | CYLIND.ROLL.NJ 203 ECP/C3 2001 | 1 |
| 24 | 0625618050 | BALL BEARING 61805 C3 | 1 |
| 26 | 60030064070 | OIL JET 70 M6X0,75 WS8 03 | 2 |
| 27 | 49030029000 | OIL DRAIN PLUG M10X1,5 AH-WS=6 ONLY FOR USA | 2 |
| 28 | 58440091000 | STOP DISK 33 X 58 X 1,5 | 1 |
| 29 | 0603100141 | COPPER GASKET DIN7603-10X14X1 ONLY FOR USA | 2 |
| 30 | 5833010124423 | CLUTCH COVER CPL. GREY 03 WITH OIL INSPECTION GLASS | 1 |
| 31 | 58530025000 | CLUTCH COVER GASKET 2001 | 1 |
| 32 | 58411085000 | WIRING HARN. EPC F. ENGINE LC4 | 1 |
| 33 | 58030020100 | PLUG CPL. M24X3 | 1 |
| 34 | 0770191015 | O-RING 19,00X3,00 NBR | 1 |
| 35 | 61030019050 | CIRCLIP OIL LEVEL GLASS 03 | 1 |
| 36 | 59030019000 | OIL LEVEL GLASS G 1777 Y | 1 |
| 37 | 58011081100 | CONTACT SCREW M10 STEEL '98 | x |
| 38 | 58333041000 | BUMP RUBBER | 1 |
| 39 | 58430047200 | CHA.DAMPERSHEET 15/16T 92MM 03 | 1 |
| 40 | 58730047100 | CHAIN DAMPERSHEET 17T 92MM 03 | 1 |
| 42 | 58430060100 | SPROCKET COVER 05 | 1 |
| 43 | 54613038150 | BUSHING 6,5X8X11 | 2 |

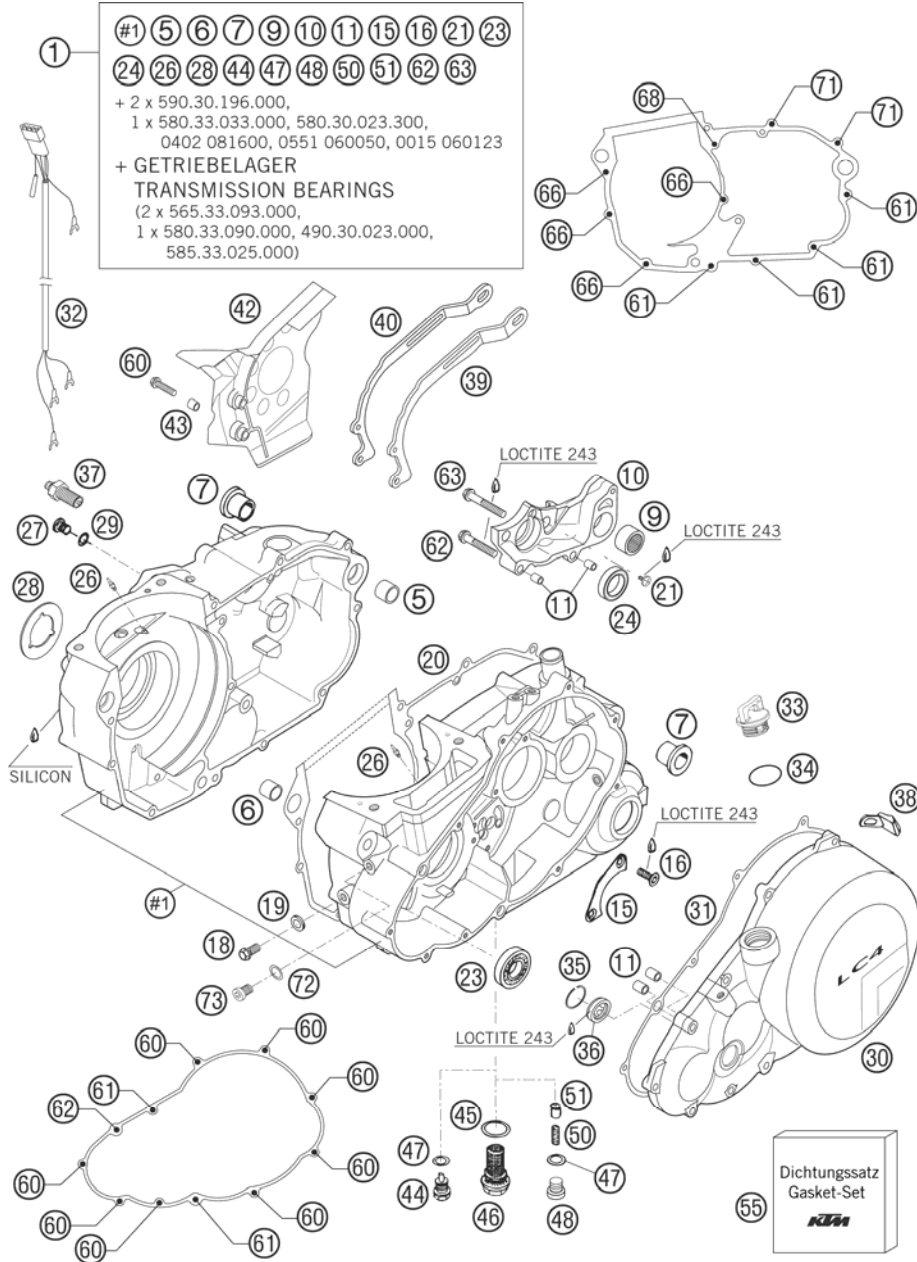
065843000 / C075843000

* NEW PART

X AS REQUIRED

ENGINE CASE

640 LC4 ADVENTURE 2007



| FIG | PART NUMBER | DESCRIPTION | QTY |
|-----|-------------|--------------------------------|-----|
| 44 | 58030021000 | OILDRAIN PLUG W.MAG. M 12X1,5 | 1 |
| 45 | 58038017100 | CU-SEAL RING DIN7603-22X27X2 | 1 |
| 46 | 58038019100 | OIL DRAIN PLUG M22X1,5 | 1 |
| 47 | 58038022000 | CU-SEAL RING DIN7603-12X18X1,5 | 2 |
| 48 | 0908120153 | PLUG DIN0908-M12X1,5 | 1 |
| 50 | 58038023300 | PRESSURE SPRING L=25MM D=1MM | 1 |
| 51 | 58038028000 | VALVE PISTON D=10MM | 1 |
| 55 | 58430099200 | GASKET SET LC4 2003 | 1 |
| 60 | 0015060253 | HH COLLAR SCREW M 6X25 WS=8 | 10 |
| 61 | 0015060303 | HH COLLAR SCREW M 6X30 WS=8 | 6 |
| 62 | 0015060353 | HH COLLAR SCREW M 6X35 WS=8 | 2 |
| 63 | 0015060403 | HH COLLAR SCREW M 6X40 WS=8 | 1 |
| 66 | 0015060553 | HH COLLAR SCREW M 6X55 WS=8 | 4 |
| 68 | 0015060653 | HH COLLAR SCREW M 6X65 WS=8 | 1 |
| 71 | 0015060303 | HH COLLAR SCREW M 6X30 WS=8 | 2 |
| 71 | 0015060353 | HH COLLAR SCREW M 6X35 WS=8 | 2 |
| 72 | 0603082131 | COPPER GASK.DIN7603- 8,2X13X1 | 1 |
| 73 | 0908080013 | PLUG M8X1 DIN 908 | 1 |

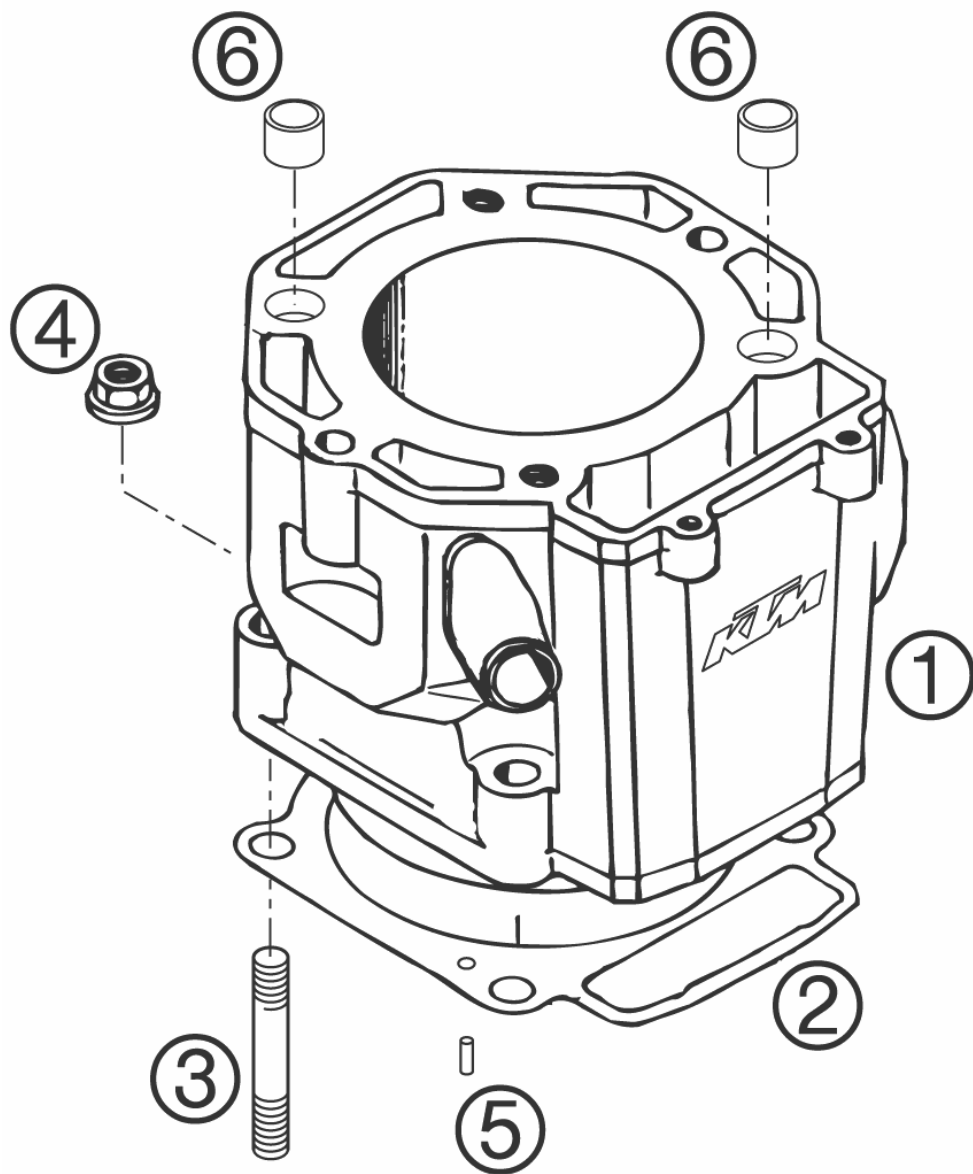
065843000 / C075843000

* NEW PART

X AS REQUIRED

CYLINDER

640 LC4 ADVENTURE 2007



| FIG | PART NUMBER | DESCRIPTION | QTY |
|-----|---------------|------------------------------------|-----|
| 1 | 5843000510023 | CYLINDER D=101 DIECASTING 03 | 1 |
| 2* | 58630035200 | CYL. BASE GASKET 0,5MM M.SICKE | 1 |
| 3 | 0835100456 | STUD DIN0835-M10X45 ZINC COATED | 4 |
| 4 | 0331100003 | COLLAR NUT DIN6923-M10 WS=15 | 4 |
| 5 | 0402040980 | NEEDLE ROL.DIN5402 NRB 4X9,8 | 2 |
| 6 | 58330023000 | DOWEL 17 X 14 X 9,5 | 2 |

05584305 / C075843005

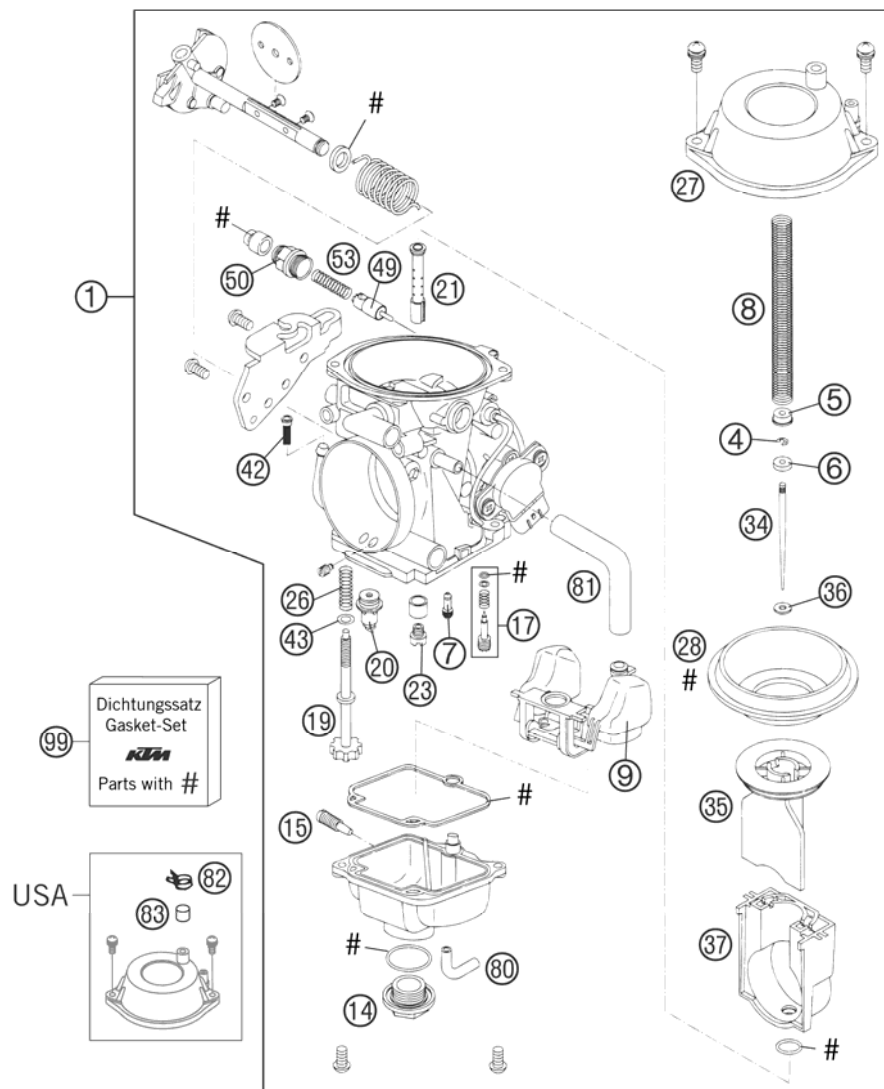
* NEW PART

X AS REQUIRED

CARBURETOR

640 LC4 ADVENTURE 2007

▲ ACHTUNG !!!
 Vor dem Einbau des Vergasers, Bedüsung kontrollieren.
CAUTION !!!
 Before mounting the carburetor, check the jetting.



| FIG | PART NUMBER | DESCRIPTION | QTY |
|-----|-------------|--------------------------------|-----|
| 1 | 58431001600 | CARBURETOR MIKUNI BST40-266 03 | 1 |
| 4 | 58431045000 | CIRCLIP | 1 |
| 5 | 58431031000 | SPRING RING | 1 |
| 6 | 58431032000 | PLASTIC RING | 1 |
| 7 | 58431007045 | IDLING JET 45 | 1 |
| 7 | 58431007047 | IDLING GET 47,5 | x |
| 8 | 58431030000 | THROTTLE VALVE SPRING | 1 |
| 9 | 58431009000 | FLOAT 6,1 GRAMM MIKUNI | 1 |
| 14 | 58431014000 | SCREW PLUG FLOAT CHAMBER | 1 |
| 15 | 58431094000 | DRAIN SCREW MIK. BST40 | 1 |
| 17 | 58431017000 | ADJUST SCREW CPL. | 1 |
| 19 | 58431019000 | ADJUSTER IDLING SPEED | 1 |
| 20 | 58431020000 | NEEDLE VALVE 2,8MM | 1 |
| 21 | 58431021689 | NEEDLE JET 689 X-6 | 1 |
| 23 | 58431023140 | MAIN JET 140 | x |
| 23 | 58431023142 | MAIN JET 142,5 | x |
| 23 | 58431023145 | MAIN JET 145 | x |
| 23 | 58431023147 | MAIN JET 147,5 | x |
| 23 | 58431023150 | MAIN JET 150 | x |
| 23 | 58431023152 | MAIN JET 152,5 | 1 |
| | | ENDURO, ADVENTURE | |
| 23 | 58431023155 | MAIN JET 155 | x |
| 23 | 58431023157 | MAIN JET 157,5 | x |
| 23 | 58431023160 | MAIN JET 160 | x |
| 23 | 58431023162 | MAIN JET 162,5 | x |
| 23 | 58431023165 | MAIN JET 165 | 1 |
| | | SUPERMOTO, DUKE | |
| 23 | 58431023167 | MAIN JET 167,5 | x |
| 23 | 58431023170 | MAIN JET 170 | x |
| 23 | 58431023172 | MAIN JET 172,5 | x |
| 23 | 58431023175 | MAIN JET 175 | x |
| 23 | 58431023177 | MAIN JET 177,5 | x |
| 23 | 58431023180 | MAIN JET 180 | x |
| 26 | 58431026000 | SPRING FOR ADJUSTER | 1 |
| 27 | 58431027000 | DIAPHRAGM COVER MIKUNI | 1 |
| 28 | 58431028000 | DIAPHRAGM FOR THROTTLE VALVE | 1 |

05584311 / C065843101

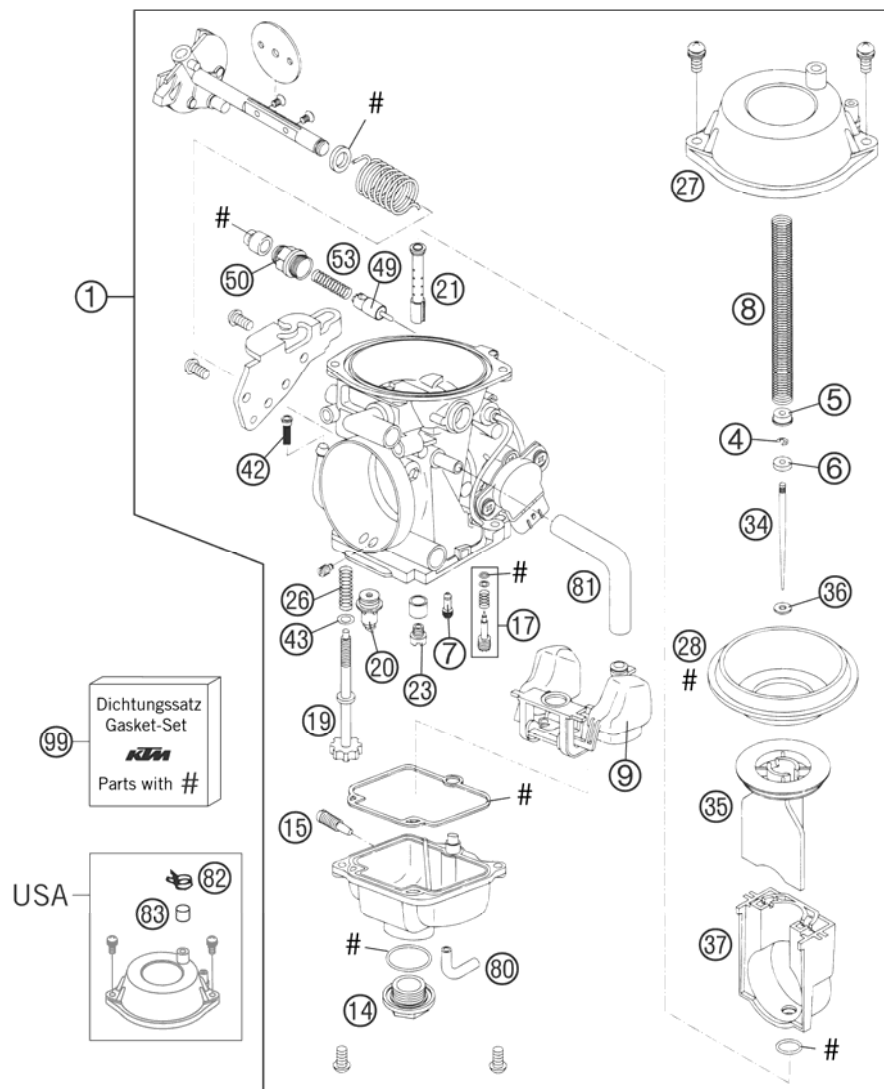
* NEW PART

X AS REQUIRED

CARBURETOR

640 LC4 ADVENTURE 2007

▲ ACHTUNG !!!
 Vor dem Einbau des Vergasers, Bedüsung kontrollieren.
CAUTION !!!
 Before mounting the carburetor, check the jetting.

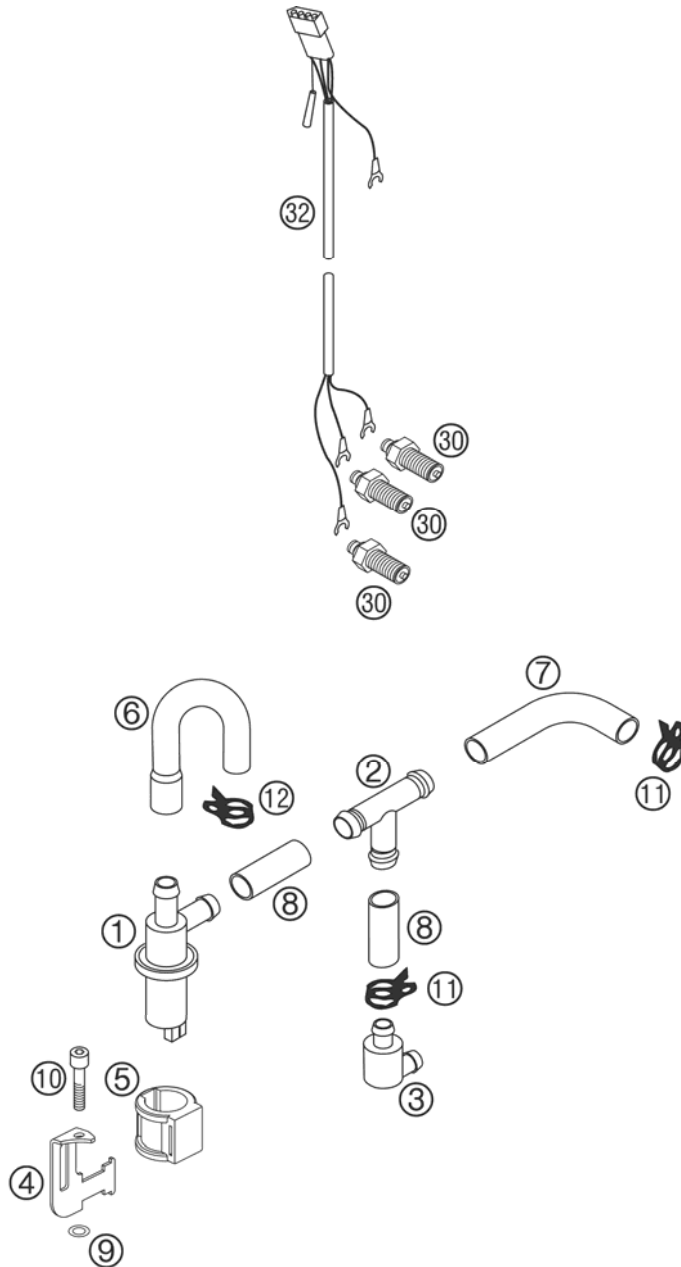


| FIG | PART NUMBER | DESCRIPTION | QTY |
|-----|-------------|---------------------------------------|-----|
| 29 | 58331029017 | SLIDE STOP L=17MM MIKUNI | x |
| 30 | 58631029020 | SLIDE STOP 20MM 05 SUPERMOTO, DUKE | 1 |
| 34 | 584310346G5 | JET NEEDLE 6G5 | 1 |
| 35 | 58431035000 | THROTTLE VALVE "1" | 1 |
| 36 | 58431132000 | SHIM JET NEEDLE | 1 |
| 37 | 58431037000 | THROTTLE VALVE GUIDE PLASTIC | 1 |
| 42 | 58431042000 | FUEL SCREEN MIKUNI | 1 |
| 43 | 58431043000 | PACKING RING FOR ADJUSTER | 1 |
| 49 | 58431049000 | STARTING PISTON MIKUNI | 1 |
| 50 | 58431050000 | SCREW M12 STARTSYSTEMN | 1 |
| 53 | 58431053000 | SPRING 22,5MM FOR START.PISTON | 1 |
| 80 | 52031137001 | PVC-HOSE 3X5MM | x |
| 81 | 54435024001 | HOSE ID 7,5 PER METER | x |
| 82 | 58031005000 | CLAMP YDNAC 10128 12MM | 1 |
| 83 | 57931001010 | PLUG CAP FOR EPC CONNECTION | 1 |
| 99 | 58431099000 | GASKET SET MIKUNI BST40-225 | 1 |

05584311 / C065843101

* NEW PART

X AS REQUIRED



| FIG | PART NUMBER | DESCRIPTION | QTY |
|-----|-------------|--------------------------------|-----|
| 1 | 58431067000 | MAGNETIC VALVE PIRBURG EPC '98 | 1 |
| 2 | 58431072000 | T-CONNECTION 12MM LC4 '98 | 1 |
| 3 | 58431070100 | AIR FILTER LC4 FOR EPC 2005 | 1 |
| 4 | 58431069100 | BRACKET FOR MAGNETIC VALVE 03 | 1 |
| 5 | 60031068000 | RUBBER SUPPORT F. MAG.VALVE 03 | 1 |
| 6 | 58431071000 | VACUUM HOSE FOR MAGNETIC V.'98 | 1 |
| 7 | 58431097000 | ANGULAR HOSE T-CON.-CARBURETOR | 1 |
| 8 | 58431097100 | TUBE 12MM T-CON.-FILTER '98 | 2 |
| 9 | 58036065100 | CU-SEAL RING 6 X 10 X 2 | 1 |
| 10 | 0912060303 | AH SCREW DIN0912-M 6X30 | 1 |
| 11 | 58431082000 | YDNAC-CLAMP 15MM '98 | 2 |
| 12 | 58431082100 | YDNAC-CLAMP 10173 (16MM) '98 | 1 |
| 30 | 58011081100 | CONTACT SCREW M10 STEEL '98 | 3 |
| 32 | 58411085000 | WIRING HARN. EPC F. ENGINE LC4 | 1 |

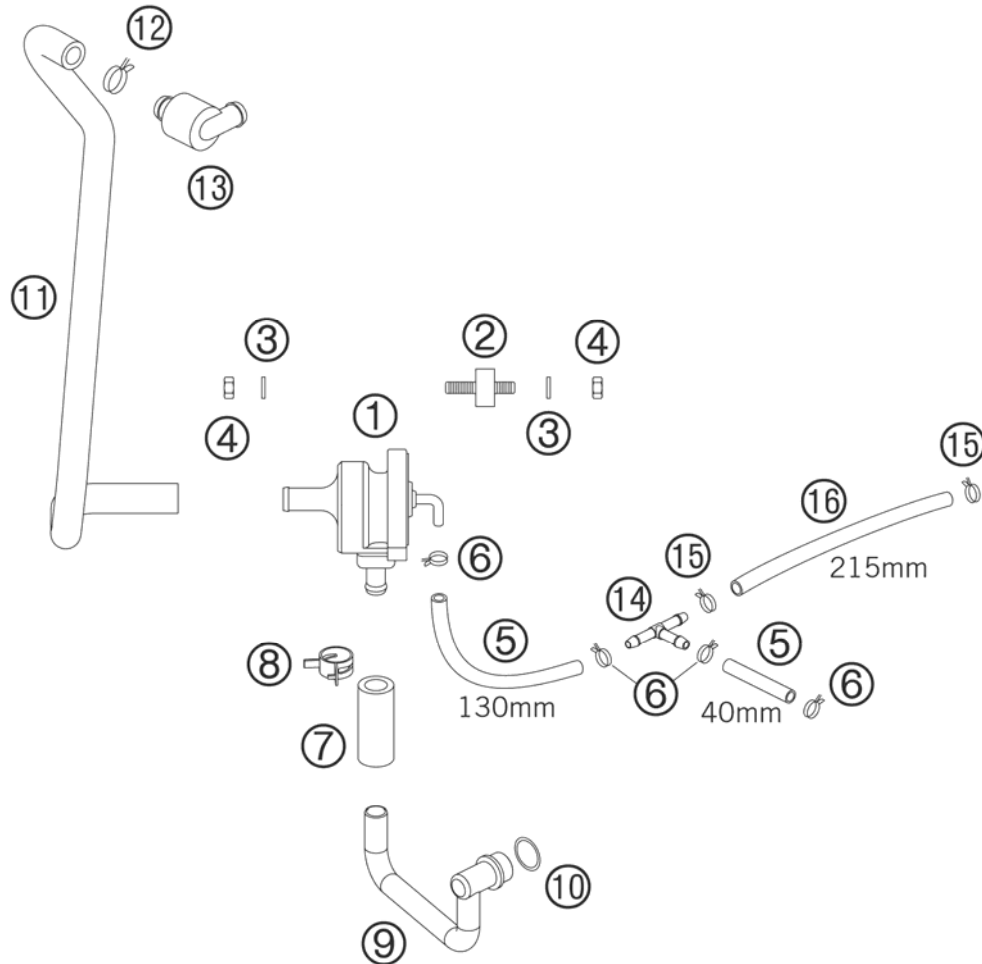
065843109 / C065843109

* NEW PART

X AS REQUIRED

SECONDARY AIR SYSTEM

640 LC4 ADVENTURE 2007

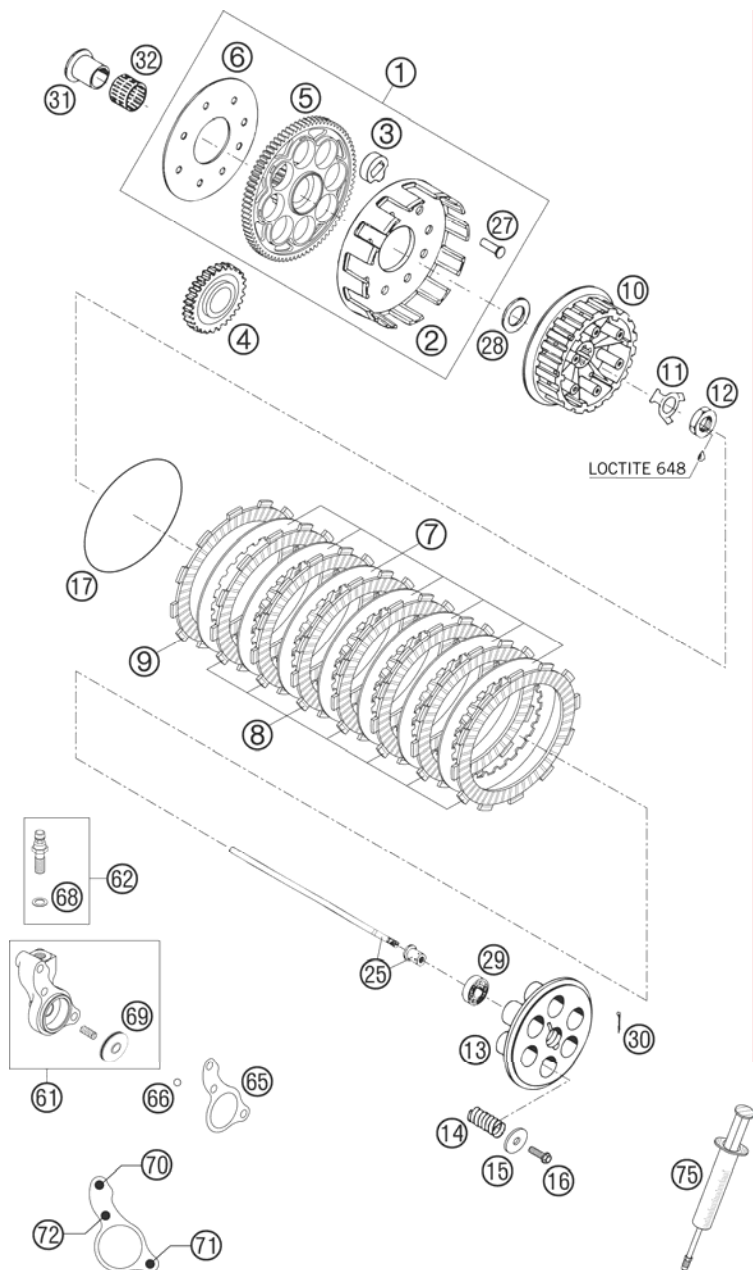


| FIG | PART NUMBER | DESCRIPTION | QTY |
|-----|-------------|--------------------------------|-----|
| 1 | 58405026100 | SAS-VALVE 04 | 1 |
| 2 | 58405021000 | SILENTBLOCK 20X10 M6X10/M6X16 | 2 |
| 3 | 0797060003 | TOOTH LOCK WASH. DIN6797-A 6,4 | 4 |
| 4 | 0934060003 | HEXAGON NUT DIN0934-M 6 | 4 |
| 5 | 58405029001 | ND-HOSE 4X9 PER METER | 1 |
| 6 | 45031005000 | YDNAC-CLAMP FUEL HOSE (8MM) | 4 |
| 7 | 58405019000 | HOSE SAS-VALVE - CONNECT. TUBE | 1 |
| 8 | 00049170121 | CLAMP STD DN17 | 2 |
| 9 | 58405027100 | CONNECTING TUBE SAS 04 | 1 |
| 10 | 58436054000 | CU-SEAL RING 12 X 16 X 2 | 1 |
| 11 | 58405020000 | PREFORMED HOSE SAS 04 | 1 |
| 12 | 58431082100 | YDNAC-CLAMP 10173 (16MM) '98 | 1 |
| 13 | 58431070100 | AIR FILTER LC4 FOR EPC 2005 | 1 |
| 14 | 58405030000 | T-CONNECTION 5MM TS5 FOR ADV. | 1 |
| 15 | 58007117000 | YDNAC-CLAMP 10107 10MM | 2 |
| 16 | 58205035001 | HOSE 6X10 PER METER | 1 |

065843103 / C075843103

* NEW PART

X AS REQUIRED

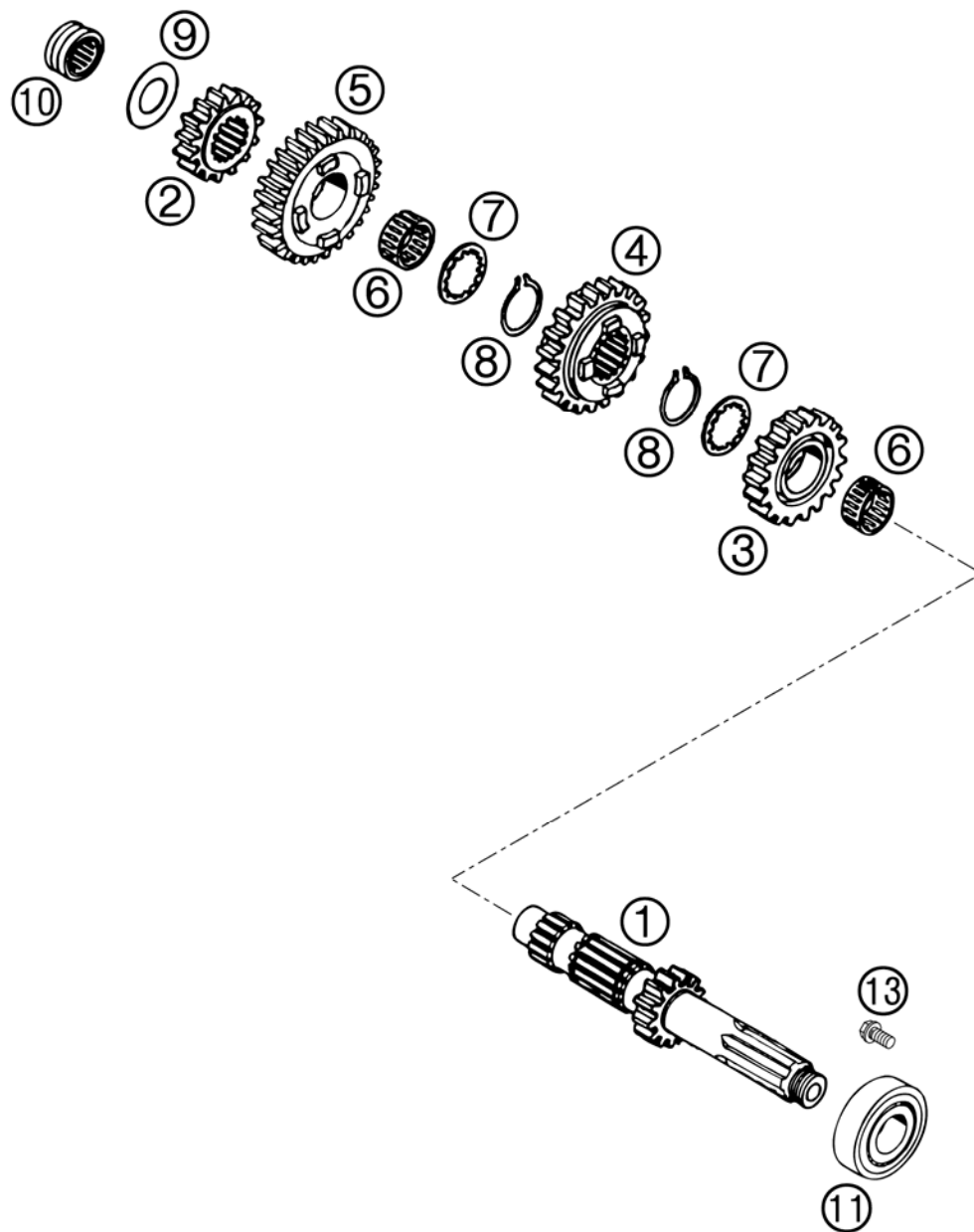


| FIG | PART NUMBER | DESCRIPTION | QTY |
|-----|-------------|------------------------------------------------|-----|
| 1 | 58432001144 | OUT.CLUTCH HUB CPL.79-T LC4 04 | 1 |
| 2 | 58432001000 | OUTER CLUTCH HUB LOOSE LC4 03 | 1 |
| 3 | 58332026000 | DAMPING ELEMENT '94 | 8 |
| 4 | 58532000131 | PRIMARY GEAR WHEEL 31-T 2001 | 1 |
| 5 | 58532000079 | CLUTCH WHEEL 79-T 2001 | 1 |
| 6 | 58332028000 | BRACKET 57 x 132 x 1,5 '94 | 1 |
| 7 | 58332112000 | STEEL DISK 1,5 MM LC4'94 | 7 |
| 8 | 58332011300 | LINING DISK 2,7MM FCC 02 | 7 |
| 9 | 58332111300 | LINING DISK TURN OUT FCC 02 | 1 |
| 10 | 58332002300 | INNER CLUTCH HUB LC4/LC4-E 04 | 1 |
| 11 | 58332018000 | LOCK WASHER '94 | 1 |
| 12 | 0936181505 | HEXAGON NUT DIN0936-M18X1,5 R. | 1 |
| 13 | 58332003300 | PRESSURE CAP LC4/LC4-E 04 | 1 |
| 14 | 58332080000 | CLUTCH SPRING 2,8 X 37 | 6 |
| 15 | 58432081000 | WASHER 6,5 X 20 X 2 | 6 |
| 16 | 0015060203 | HH COLLAR SCREW M 6X20 WS=8 | 6 |
| 17 | 0770116030 | O-RING 116,00X3,00 HNBR 70 | 1 |
| 25 | 57332017044 | PUSH ROD L=215MM CPL. 03 WITH PRESSURE BOLT | 1 |
| 27 | 58332007000 | RIVET 6 X 23 X 11,2 | 8 |
| 28 | 57532013000 | SUPPORTWASHER 22,2X35X3 HARDE. | 1 |
| 29 | 0625060016 | GROOV.BALL BEAR. 6001.2RSR C3 | 1 |
| 30 | 0094020163 | PIN DIN0094-2,0X16 | 1 |
| 31 | 50332070000 | INNER RING WITH COLLAR | 1 |
| 32 | 56532095000 | NEEDLE BEARING K26X30X22ZW.KSE | 1 |
| 61 | 50332061044 | CYLINDER CPL. 125/200'98 | 1 |
| 62 | 50332062000 | HOLLOW SCREW CPL. M 10X1 '98 | 1 |
| 65 | 58632065000 | CLUTCH RELEASE GASKET | 1 |
| 66 | 0401070003 | BALL DIN5401-7 | 1 |
| 68 | 42013226000 | CU-SEAL RING DIN7603-10X16X1 | 1 |
| 69 | 50332066000 | PISTON W. O-RING 125/200 2000 | 1 |
| 70 | 0912060303 | AH SCREW DIN0912-M 6X30 | 1 |
| 71 | 0984060163 | AH SCREW DIN6912-M 6X16 WITH LOW HEAD | 1 |
| 72 | 0912060253 | AH SCREW DIN0912-M 6X25 | 1 |
| 75 | 50329050000 | VENT INJEKTION HYDR. CLUTCH | 1 |

05584320 / C065843200

* NEW PART

X AS REQUIRED

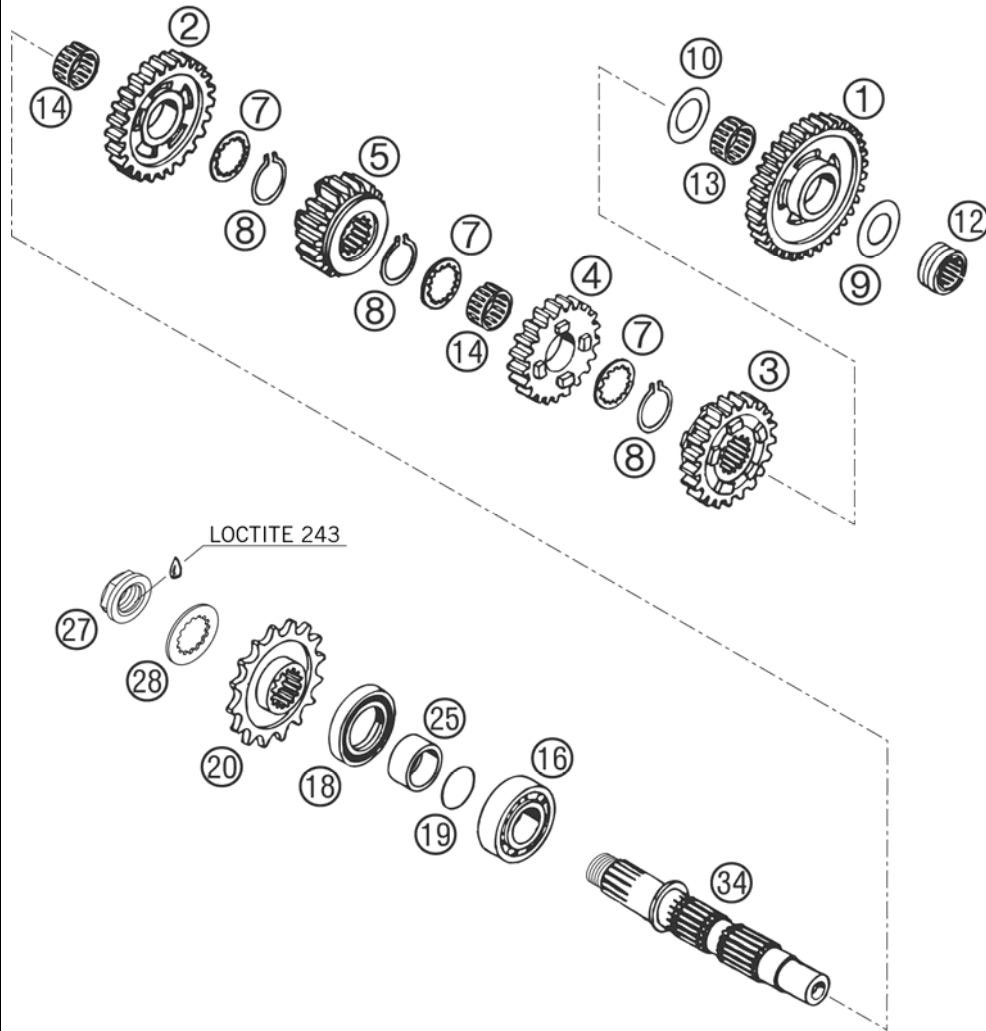


| FIG | PART NUMBER | DESCRIPTION | QTY |
|-----|-------------|-----------------------------|-----|
| 1 | 58333002100 | MAIN SHAFT 14-T '96 | 1 |
| 2 | 56533010300 | SOLID GEAR 2.G 15-T (2G3) | 1 |
| 3 | 58333004002 | IDLER GEAR 3.G 18-T "02" | 1 |
| 4 | 58333006004 | SLIDING GEAR 4.G 20-T "04" | 1 |
| 5 | 58333008008 | IDLER GEAR 5.G 22-T "08" | 1 |
| 6 | 0405222613 | NEEDLE BEAR. K 22X26X13 TN | 2 |
| 7 | 56533016300 | STOP DISK 22,7 X 32 X 1,5 | 2 |
| 8 | 52033096000 | LOCK RING DINO471-25X1,64SD | 2 |
| 9 | 56533015000 | STOP DISK 20,2 X 35 X 1 | 1 |
| 10 | 56533093000 | NEEDLE BEARING RNA 4902 KSE | 1 |
| 11 | 58533025000 | CYL.ROLL BEARING BC1-0076A | 1 |
| 13 | 0015060123 | HH COLLAR SCREW M 6X12 WS=8 | 1 |

03583330 / C065843300

* NEW PART

X AS REQUIRED



| FIG | PART NUMBER | DESCRIPTION | QTY |
|-----|-------------|-----------------------------|-----|
| 1 | 56533005300 | IDLER GEAR 1.G 35-T (1M3) | 1 |
| 2 | 58333113010 | IDLER GEAR 2.G 24-T "10" | 1 |
| 3 | 58333007003 | SLIDING GEAR 3.G 21-T "03" | 1 |
| 4 | 58333009005 | IDLER GEAR 4.G 19-T "05" | 1 |
| 5 | 58333011009 | SLIDING GEAR 5.G 18-T "09" | 1 |
| 7 | 56533016300 | STOP DISK 22,7 X 32 X 1,5 | 3 |
| 8 | 52033096000 | LOCK RING DINO471-25X1,64SD | 3 |
| 9 | 56533015000 | STOP DISK 20,2 X 35 X 1 | 1 |
| 10 | 56533018300 | STOP DISK 22,2 X 35 X 1,5 | 1 |
| 12 | 56533093000 | NEEDLE BEARING RNA 4902 KSE | 1 |
| 13 | 56533098000 | NEEDLE BEARING K22X26X13H | 1 |
| 14 | 0405222613 | NEEDLE BEAR. K 22X26X13 TN | 2 |
| 16 | 49030023000 | CYL.ROLL BEARING NJ205 | 1 |
| 18 | 0760324771 | SHAFT SEAL RING 32X47X7 BSL | 1 |
| 19 | 0770250021 | O-RING 25,00X2,00 SILICONE | 1 |
| 20 | 58033029014 | ENGINE SPROCKET 14 T | x |
| 20 | 58033029015 | ENGINE SPROCKET 15 T | x |
| 20 | 58033029016 | ENGINE SPROCKET 16 T | x |
| 20 | 58033029017 | ENGINE SPROCKET 17 T | x |
| 25 | 54633014100 | SPACER BUSHING 12MM | 1 |
| 27 | 58033032200 | SPROCKET NUT LC4 | 03 |
| 28 | 51033031000 | LOCK WASHER | 1 |
| 34 | 58333003100 | COUNTERSHAFT | 03 |

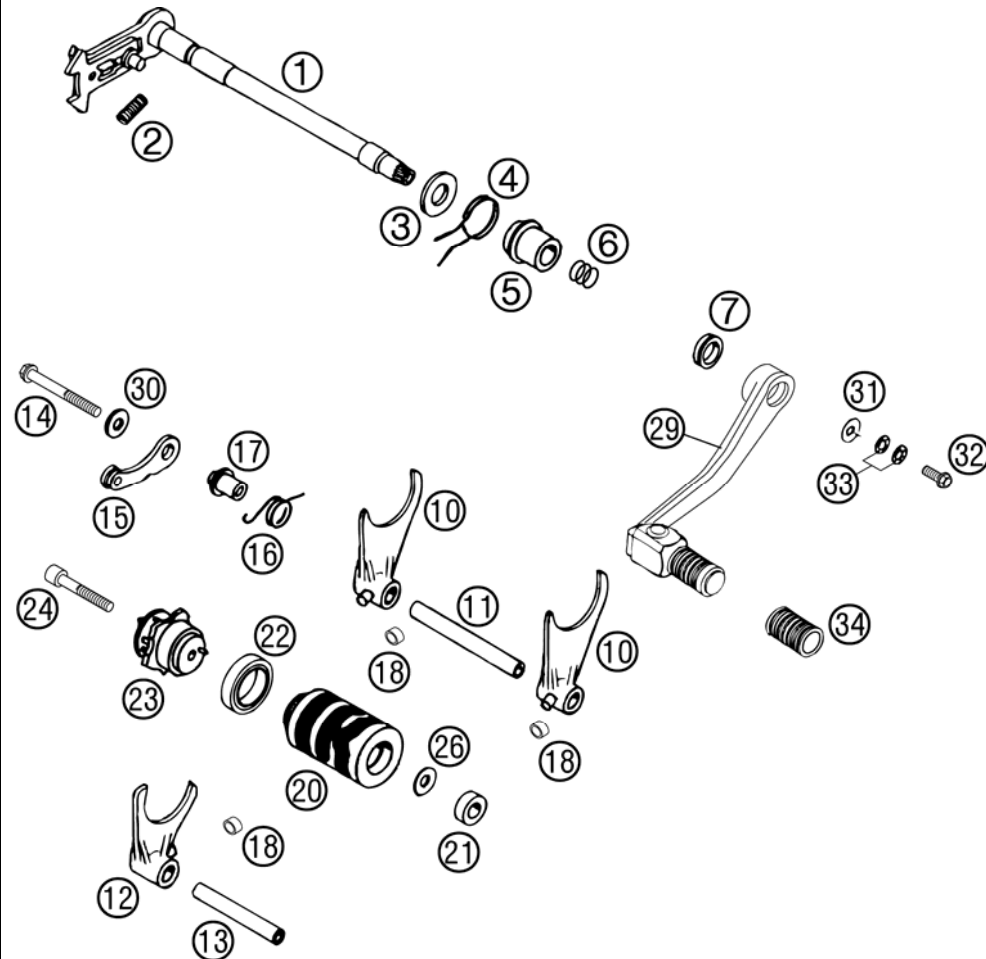
05584331 / C065843301

* NEW PART

X AS REQUIRED

SHIFTING MECHANISM

640 LC4 ADVENTURE 2007



| FIG | PART NUMBER | DESCRIPTION | QTY |
|-----|-------------|--------------------------------|-----|
| 1 | 58334005044 | SHIFT SHAFT CPL. LC4'94 | 1 |
| 2 | 56534013100 | TENSIONING SPRING 0,8MM | 1 |
| 3 | 58034010000 | STEEL WASHER 14 X 28 X 2 | 1 |
| 4 | 58034014000 | RETURN SPRING | 1 |
| 5 | 58334020000 | SPRING SLEEVE | 1 |
| 6 | 0770125020 | O-RING 12,50X2,00 NBR 70 | 2 |
| 7 | 58033027000 | V-SEAL RING V-14-A | 1 |
| 10 | 58034002300 | SHIFT FORK 1ST/4TH+2ND GEAR'98 | 2 |
| 11 | 58034004000 | SHIFT RAIL 1ST/4TH + 2ND GEAR | 1 |
| 12 | 58034001300 | SHIFT FORK 3RD/5TH GEAR '98 | 1 |
| 13 | 58034003000 | SHIFT RAIL 3RD/5TH GEAR | 1 |
| 14 | 0015060653 | HH COLLAR SCREW M 6X65 WS=8 | 1 |
| 15 | 58334024044 | LOCKING LEVER CPL. '94 | 1 |
| 16 | 58034023500 | SPRING | 1 |
| 17 | 58334017000 | SPRING SLEEVE | 1 |
| 18 | 50334018100 | SHIFTING ROLLER 6X8X5,2 | 3 |
| 20 | 58334012000 | SHIFT ROLLER STEEL | 1 |
| 21 | 0625006087 | GROOVED BALL BEAR. 608 2RS C3 | 1 |
| 22 | 0625618050 | BALL BEARING 61805 C3 | 1 |
| 23 | 58434015044 | SHIFT LOCATING DRUM CPL. '98 | 1 |
| 24 | 0912060404 | AH SCREW DIN0912-M 6X40 A2 | 1 |
| 26 | 51006097000 | WASHER 6,2X22X1,ST30,W.GALV. | 1 |
| 29 | 58434031144 | SHIFT LEVER CPL. LC4,COMP. '98 | 1 |
| 30 | 50232050000 | WASHER 6,2X18X2 | 1 |
| 31 | 50232050001 | STEEL WASHER 6,4X17X3 | 1 |
| 32 | 0015060163 | HH COLLAR SCREW M 6X16 WS=8 | 1 |
| 33 | 50233041000 | PAIR OF WASHERS M 6 NORDLOCK | 1 |
| 34 | 36205018000 | RUBBER | 1 |

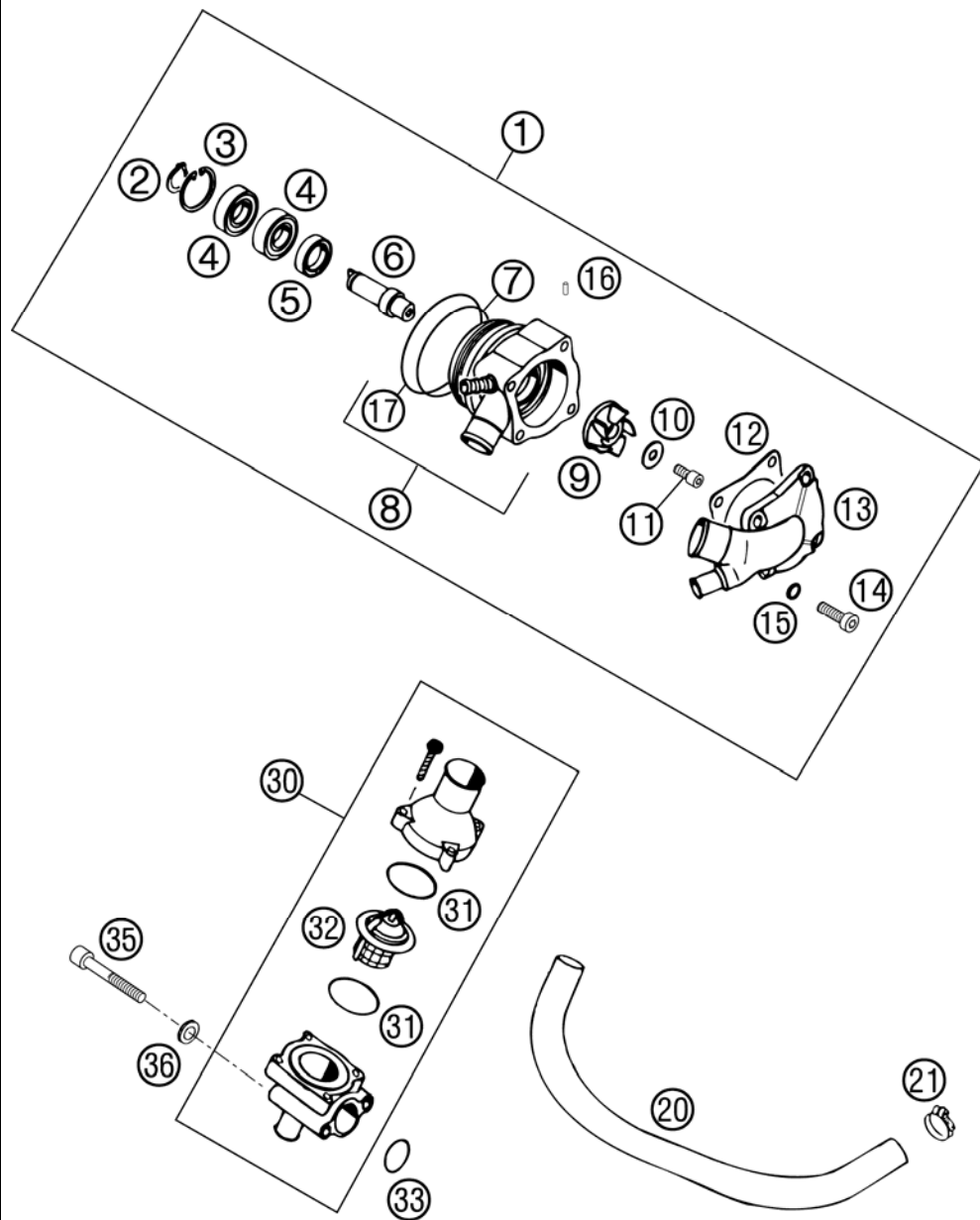
03583340 / C065833400

* NEW PART

X AS REQUIRED

WATER PUMP

640 LC4 ADVENTURE 2007



| FIG | PART NUMBER | DESCRIPTION | QTY |
|-----|-------------|--------------------------------|-----|
| 1 | 58335050044 | WATER PUMP MECHANIC CPL.'94 | 1 |
| 2 | 0471120010 | CIRCLIP DIN0471-12X1 | 1 |
| 3 | 0472280120 | CIRCLIP DIN0472-28X1,2 | 1 |
| 4 | 0625060016 | GROOV.BALL BEAR. 6001.2RSR C3 | 2 |
| 5 | 0760152472 | SHAFT SEAL RING 15X24X7 A-DUO | 1 |
| 6 | 54435010000 | WATER PUMP SHAFT | 1 |
| 7 | 0770047015 | O-RING 47,00X1,50 NBR 70 | 1 |
| 8 | 58035002644 | WATER PUMP CASE CPL. 4T '00 | 1 |
| 9 | 56535005300 | WATER PUMP WHEEL | 1 |
| 10 | 0021050003 | WASHER DIN9021-A 5,3 | 1 |
| 11 | 0912050123 | AH SCREW DIN0912-M 5X12 | 1 |
| 12 | 56535003300 | WATER PUMP COVER GASKET | 1 |
| 13 | 58335001244 | WATER PUMP COVER LC4 '99 | 1 |
| 14 | 0984060203 | AH SCREW DIN6912-M 6X20 8.8 | 4 |
| 15 | 0603061001 | CU-SEAL RING DIN7603-6X10X1 | 4 |
| 16 | 0402025580 | NEEDLEROLL.DIN5402 NRB 2,5X5,8 | x |
| 17 | 0770049025 | O-RING 49,00X2,50 NBR | 1 |
| 20 | 58335025350 | RADIATOR HOSE 12X3 04 | x |
| 21 | 58335099000 | HOSE CLAMP GEMI 10-16 | 2 |
| 30 | 58335013044 | THERMOSTAT CPL. 70 DG LC4'94 | 1 |
| 31 | 0770320020 | O-RING 32,00X2,00 | 2 |
| 32 | 58335017000 | THERMOSTAT 70 DEGREES '94 | 1 |
| 33 | 0770021020 | O-RING 21,00X2,00 NBR70 | 1 |
| 35 | 0912060453 | AH SCREW DIN0912-M 6X45 | 2 |
| 36 | 0125060003 | WASHER DIN0125-A 6,4 | 2 |

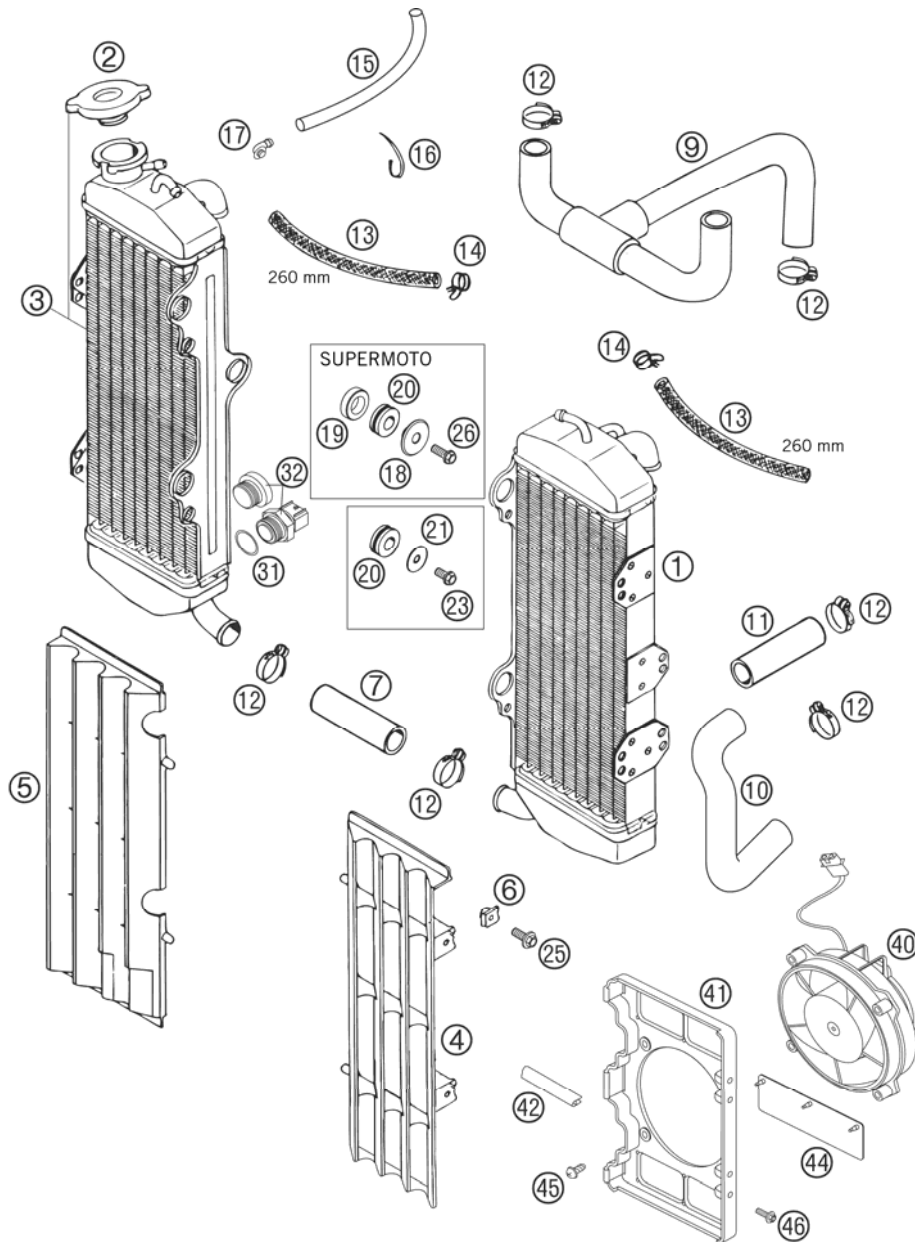
03583352 / C065833502

* NEW PART

X AS REQUIRED

COOLING SYSTEM

640 LC4 ADVENTURE 2007



| FIG | PART NUMBER | DESCRIPTION | QTY |
|-----|-------------|-------------------------------------------------------------|-----|
| 1 | 58335008000 | RADIATOR L/S (45246) LC4'94 BLACK | 1 |
| 2 | 58035016000 | RADIATOR CAP SMALL 20,3 PSI | 1 |
| 3 | 58335008200 | RADIATOR R/S (45.403) SXC 03 BLACK; WITHOUT FAN SWITCH | 1 |
| 4 | 58035034000 | RADIATOR PROTECTOR L/S BLACK | 1 |
| 4 | 58035034100 | RADIATOR PROTECT. L/S WHITE'96 | x |
| 5 | 58035134000 | RADIATOR PROTECTOR R/S BLACK | 1 |
| 5 | 58035134100 | RADIATOR PROTECT. R/S WHITE'96 | x |
| 6 | 50235033300 | SNAP-NUT HOLDER M6 KP142 | 4 |
| 7 | 56535025001 | RADIATOR HOSE 18X25 PER METRE | x |
| 9 | 58335026000 | PREFORMED HOSE LC4'94 | 1 |
| 10 | 58435025800 | PREFORMED HOSE | 1 |
| 11 | 58335024001 | RADIATOR HOSE 20X26 | x |
| 12 | 10001020000 | HOSE CLAMP GEMI 16-27 | 9 |
| 13 | 54435024001 | HOSE ID 7,5 PER METER | 1 |
| 14 | 58031005000 | CLAMP YDNAC 10128 12MM | 4 |
| 15 | 55007016001 | PVC-HOSE 7X10 PER METER | x |
| 16 | 44011076200 | CABLE TIE 200/3,6MM BLACK | x |
| 17 | 50303089000 | ANGEL PIECE '97 | 1 |
| 18 | 58435002000 | BUSHING F. RADIATOR SUPPORT 03 | 6 |
| 19 | 58435003000 | BUSHING F.RADIATOR DISTANCE 03 | 6 |
| 20 | 41001052000 | RUBBER SLEEVE D=12MM | 6 |
| 21 | 0021060003 | WASHER DIN9021-A 6,4 | 6 |
| 23 | 0015060123 | HH COLLAR SCREW M 6X12 WS=8 | 6 |
| 25 | 0014060153 | HH COLLAR SCREW M 6X15 WS=8 | 4 |
| 26 | 0015060163 | HH COLLAR SCREW M 6X16 WS=8 | 6 |
| 31 | 0770017015 | O-RING 17X1,5 NB75 | 1 |
| 32 | 0908180153 | PLUG DIN0908-M18X1,5 625 SXC | 1 |
| 32 | 58435045098 | THERMOSWITCH 98 °C FOR FAN 03 625/660 SMC, 640 LC4, ADV. | 1 |
| 40 | 58435041000 | FAN CPL. 12V LC4 2000 | 1 |
| 41 | 58435044000 | FAN CAP LC4 2000 | 1 |
| 42 | 58312085100 | EDGE PROTECTOR PER METER | x |
| 44 | 58435044050 | FAN FLAP RUBBER LC4 2000 | 2 |

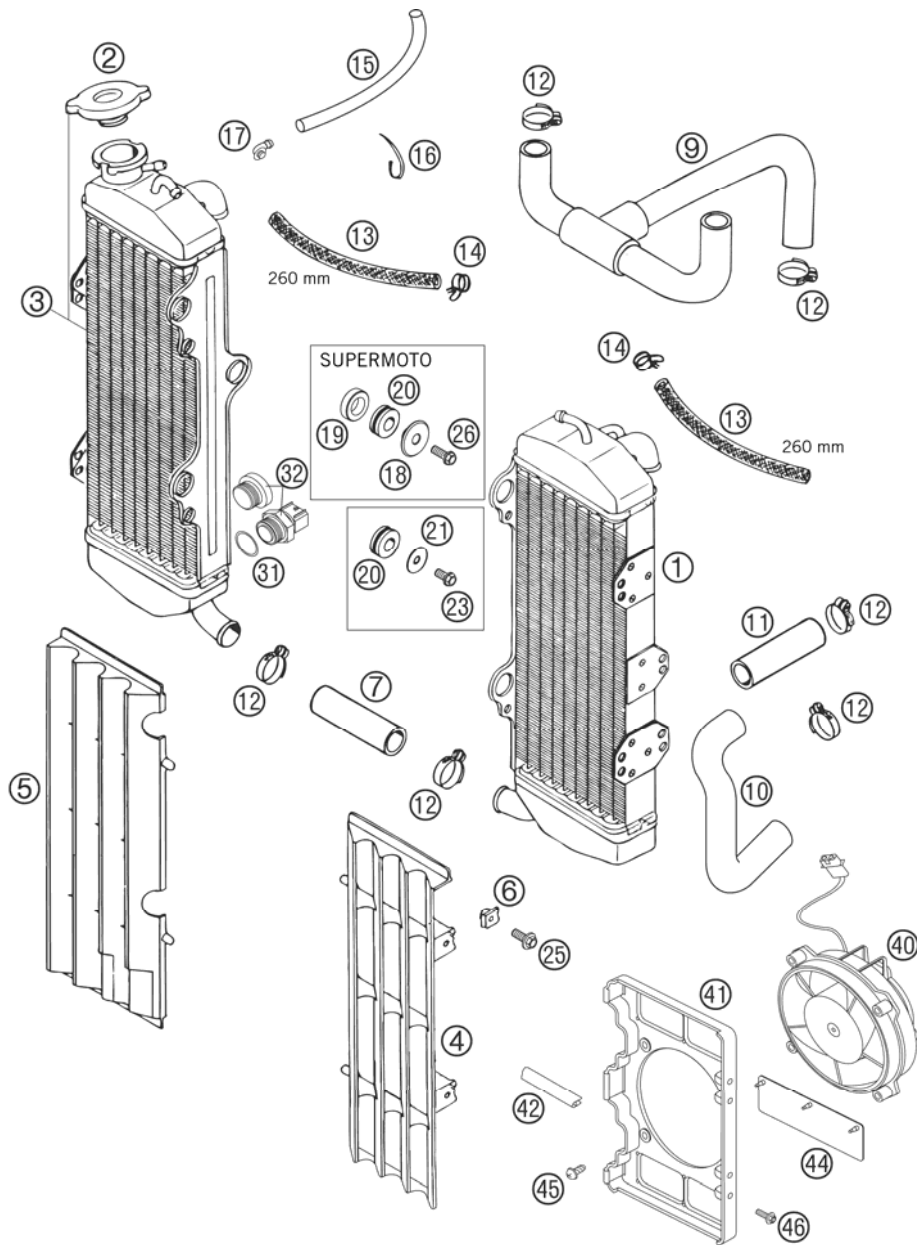
05584350 / C065843500

* NEW PART

X AS REQUIRED

COOLING SYSTEM

640 LC4 ADVENTURE 2007



| FIG | PART NUMBER | DESCRIPTION | QTY |
|-----|-------------|---------------------------|-----|
| 45 | 0081500181 | SCREW FOR PLASTIC D=5X18 | 4 |
| 46 | 0017060203 | EJOT PT SCREW K60X20 WS=6 | 2 |

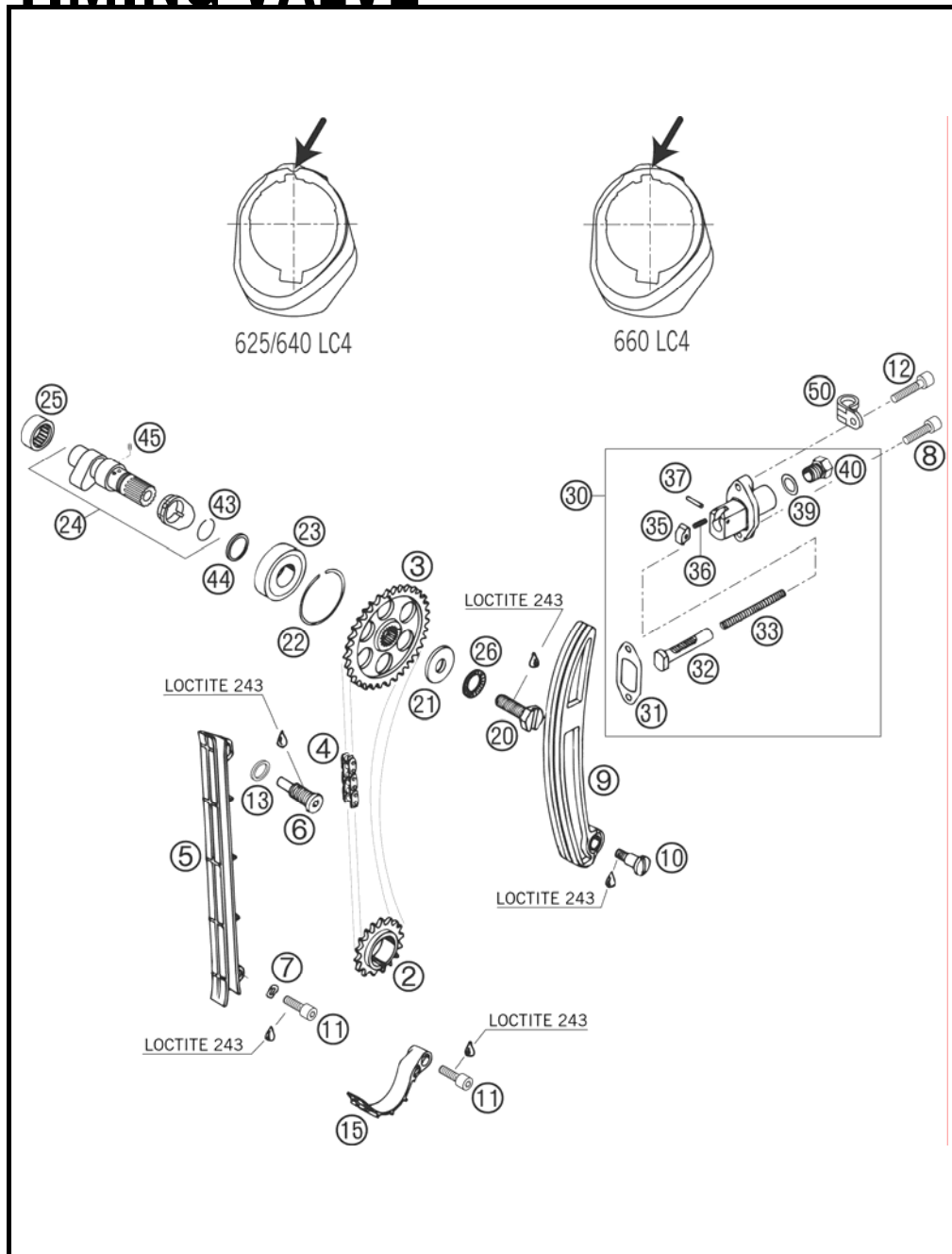
05584350 / C065843500

* NEW PART

X AS REQUIRED

TIMING VALVE

640 LC4 ADVENTURE 2007



| FIG | PART NUMBER | DESCRIPTION | QTY |
|-----|-------------|--------------------------------|-----|
| 2 | 58036014000 | TIMING GEAR 17-T | 1 |
| 3 | 58336011001 | CAMSHAFT GEAR 34-T "01" '94 | 1 |
| 4 | 58036013000 | TIMING CHAIN C107C / 100 LINKS | 1 |
| 5 | 58036001000 | TIMING CHAIN GUIDE | 1 |
| 6 | 58036009000 | CHAIN GUIDE SCREW | 1 |
| 7 | 0137060003 | SPRING WASHER DIN0137-B 6 | 1 |
| 8 | 0912060253 | AH SCREW DIN0912-M 6X25 | 1 |
| 9 | 58036002000 | TIMING CHAIN TENSIONER | 1 |
| 10 | 0923080120 | FLAT HEAD SCR. M 8X12 | 1 |
| 11 | 0912060208 | AH SCREW DIN0912-M 6X20 SS | 2 |
| 12 | 0912060303 | AH SCREW DIN0912-M 6X30 | 1 |
| 13 | 58038022100 | CU-SEAL RING 12 X 16 X 2 | 1 |
| 15 | 58336018000 | SECURING GUIDE | 1 |
| 20 | 58336112000 | DRIVING SCREW M10X25 | 1 |
| 21 | 58036012000 | STEEL WASHER 10 X 28 X 3 | 1 |
| 22 | 58036096000 | CIRCLIP SB 42 | 1 |
| 23 | 0625060040 | GROOVED BALL BEARING TMB004 | 1 |
| 24 | 58336110044 | CAMSHAFT CPL. 249/1 LC4-E | 1 |
| 25 | 58036097000 | NEEDLE BEARING BK 2012 | 1 |
| 26 | 36003014200 | LOCKING WASHER 10MM | 1 |
| 30 | 58036003144 | AUTOM.TENSIONER CPL. '88 | 1 |
| 31 | 58036005100 | TENSIONER GASKET 1,5 MM | 1 |
| 32 | 58036004100 | PRESSURE BOLT | 1 |
| 33 | 58036006100 | PRESSURE SPRING 0,9MM | 1 |
| 35 | 58036007100 | RATCHETING PAWL | 1 |
| 36 | 58036007050 | PRES.SPRING F.RATCHETING PAWL | 1 |
| 37 | 0402031780 | NEEDLE ROL.DIN5402 NRB 3X17,8 | 1 |
| 39 | 58038022000 | CU-SEAL RING DIN7603-12X18X1,5 | 1 |
| 40 | 58036008100 | PLUG M12X1,5 | 1 |
| 43 | 0417200120 | CIRCLIP WS20 | 1 |
| 44 | 58336015000 | STEPPED RING | 1 |
| 45 | 58336016052 | SPRING FOR AUTO-DECOMPR. '95 | 1 |
| 50 | 54211052000 | CLAMP RSGU 24/15 | 1 |

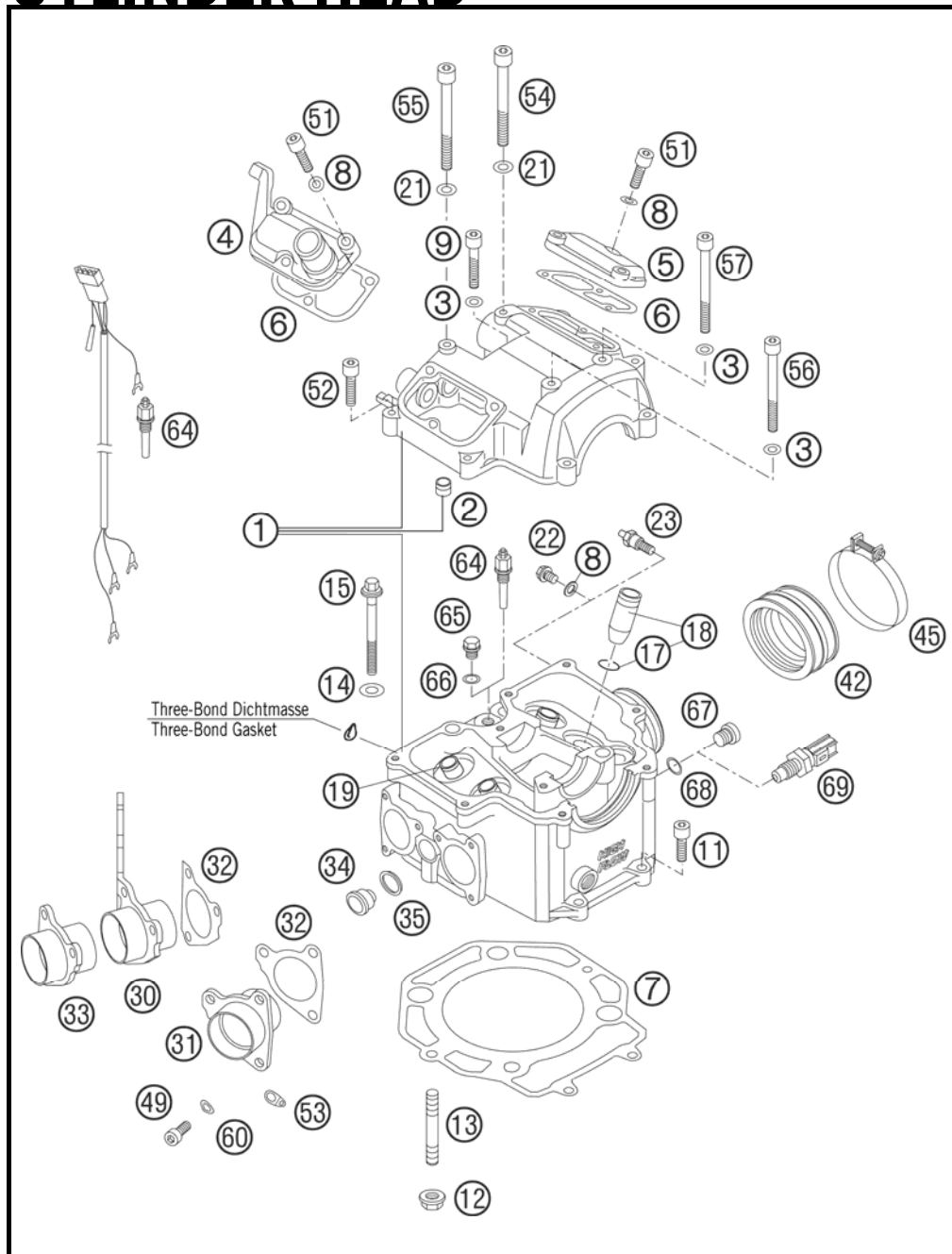
05584361 / C065843601

* NEW PART

X AS REQUIRED

CYLINDER HEAD

640 LC4 ADVENTURE 2007



| FIG | PART NUMBER | DESCRIPTION | QTY |
|-----|---------------|-------------------------------------------------------------|-----|
| 1 | 5843602020023 | CYL. HEAD CPL. LC4/SXC SAS 04 | 1 |
| 2 | 58530090000 | DOWEL BUSHING 9,8X7,2X10 | 1 |
| 3 | 58036065100 | CU-SEAL RING 6 X 10 X 2 | 3 |
| 4 | 58036152600 | VALVE COVER FRONT '99 | 1 |
| 5 | 58036052200 | VALVE COVER REAR | 1 |
| 6 | 58036053000 | VALVE COVER GASKET | 2 |
| 7 | 58330036000 | CYLINDER HEAD GASKET 101,3 MM | 1 |
| 8 | 0603061001 | CU-SEAL RING DIN7603-6X10X1 | 7 |
| 9 | 0912060353 | AH SCREW DIN0912-M 6X35 | 1 |
| 11 | 0912060253 | AH SCREW DIN0912-M 6X25 | 2 |
| 12 | 49030028000 | COLLAR NUT M8 | 2 |
| 13 | 54330043000 | STUD DIN0835-M 8X40 | 2 |
| 14 | 0125100003 | WASHER DIN0125-A10,5 | 4 |
| 15 | 58036099100 | COLLAR SCREW M10X80 WS=13 10.9 | 4 |
| 17 | 0993012000 | CIRCLIP DIN7993-RW12 | 4 |
| 18 | 58036026644 | VALVE GUIDE INTAKE CPL. | 2 |
| 19 | 58036126644 | VALVE GUIDE EXHAUST CPL. | 2 |
| 21 | 0603070122 | CU-SEAL RING DIN7603- 7X12X2 | 2 |
| 22 | 0015060083 | HH COLLAR SCREW M 6X8 WS=8 | 1 |
| 23 | 58336020190 | VACUUM CONECTION M6/3MM '97 SECONDARY AIR SYSTEM | 1 |
| 30 | 58436039100 | EXHAUST FLANGE CPL. R/S SAS 04 WITH SAS | 1 |
| 31 | 58036140100 | EXHAUST FLANGE L/S | 1 |
| 32 | 58036041000 | EXHAUST FLANGE GASKET | 2 |
| 33 | 58036040100 | EXHAUST FLANGE R/S 04 WITHOUT SAS | 1 |
| 34 | 58336024000 | PLUG SAS BORE | 1 |
| 35 | 58436054000 | CU-SEAL RING 12 X 16 X 2 | 1 |
| 42 | 58436044000 | INTAKE BOOT FOR MIKUNI CARBU. 640 ENDURO, SM, DUKE, ADV. | 1 |
| 42 | 58536044000 | INTAKE BOOT RALLYE 2001 625 SXC, 625 SMC | 1 |
| 45 | 56530061000 | CLAMP SM12/A60 640 ENDURO, SM, DUKE, ADV. | 2 |
| 45 | 59030061000 | CLAMP D=56MM B=9MM M4X25 625 SXC, 625 SMC | 1 |

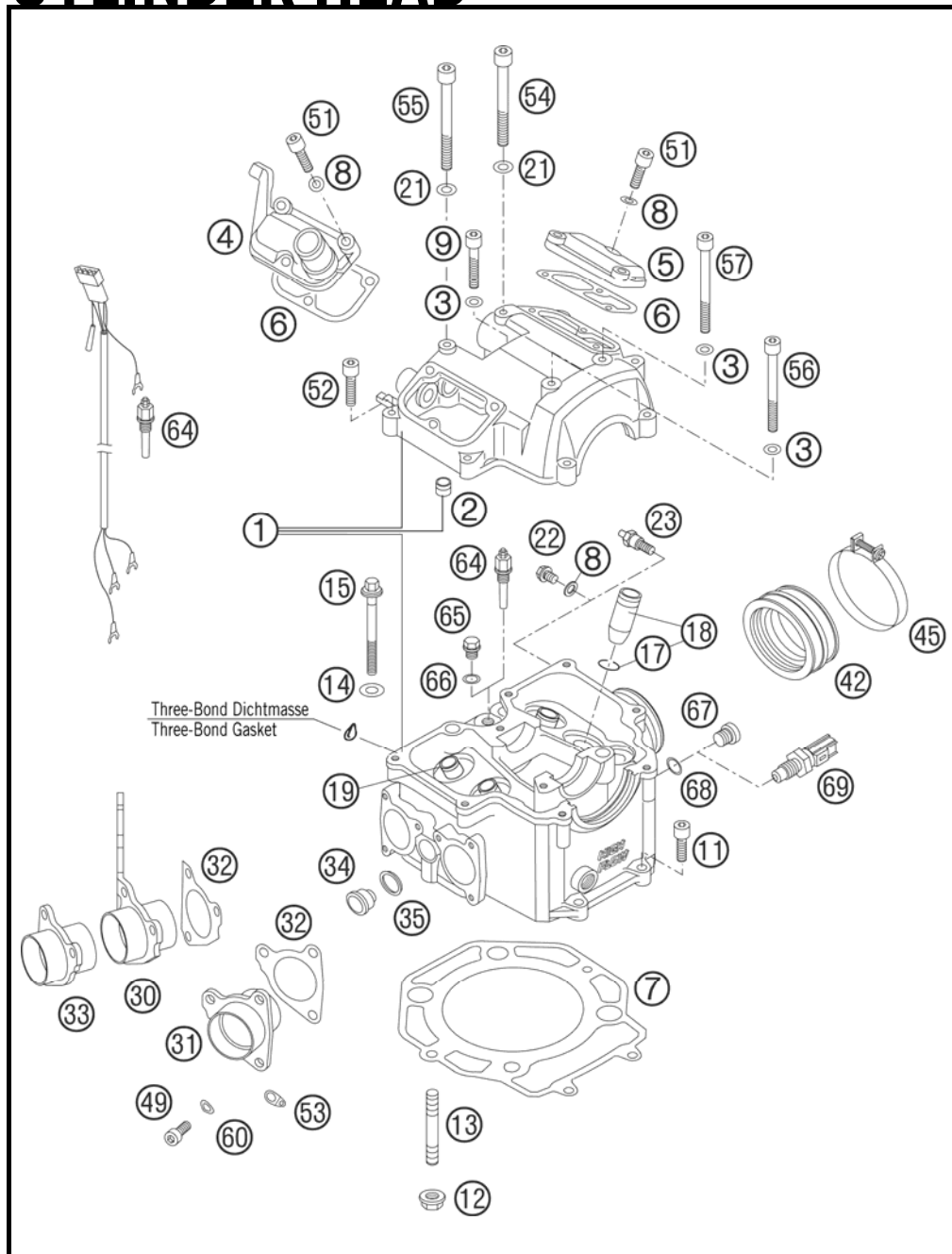
065843602 / C065843602

* NEW PART

X AS REQUIRED

CYLINDER HEAD

640 LC4 ADVENTURE 2007

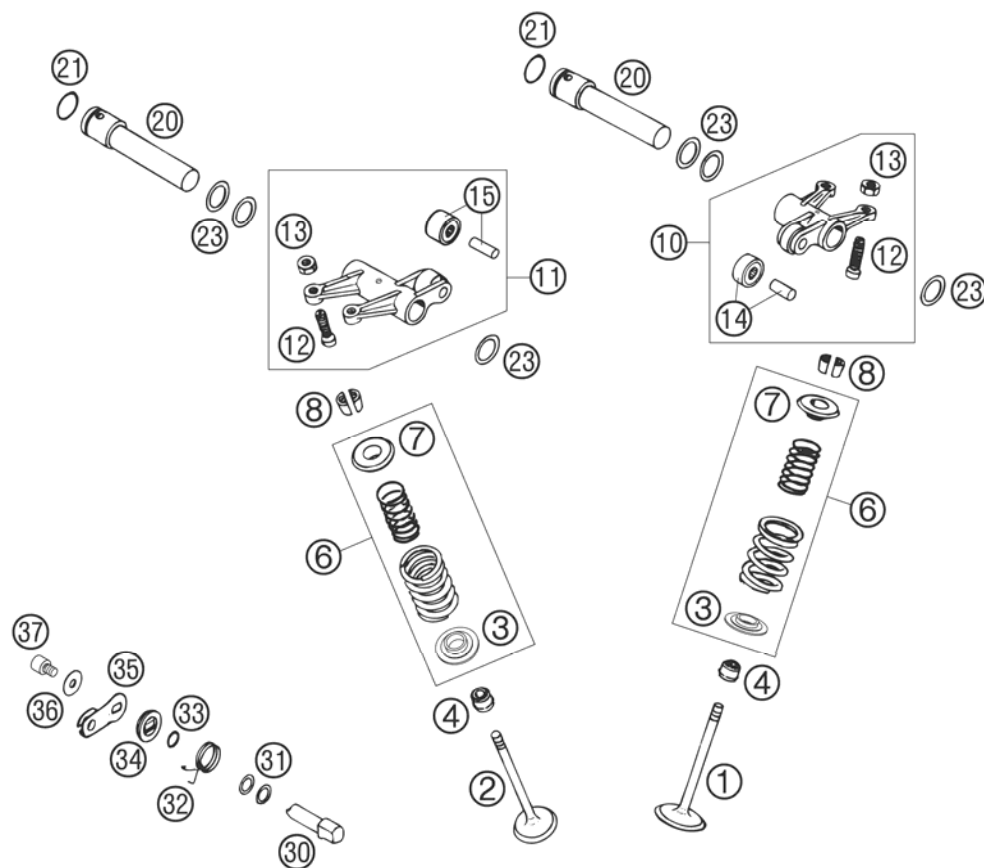


| FIG | PART NUMBER | DESCRIPTION | QTY |
|-----|-------------|------------------------------------------------------------|-----|
| 49 | 0912060163 | AH SCREW DIN0912-M 6X16 | 6 |
| 51 | 0912060203 | AH SCREW DIN0912-M 6X20 | 6 |
| 52 | 0912060253 | AH SCREW DIN0912-M 6X25 | 5 |
| 53 | 51005074000 | RETAINING PLATE | 4 |
| 54 | 0912070553 | AH SCREW DIN0912-M 7X55 12.9 | 1 |
| 55 | 0912070603 | AH SCREW DIN0912-M 7X60 12.9 | 1 |
| 56 | 0912060653 | AH SCREW DIN0912-M 6X65 | 1 |
| 57 | 0912060703 | AH SCREW DIN0912-M 6X70 | 1 |
| 60 | 0137060003 | SPRING WASHER DIN0137-B 6 | 6 |
| 64 | 42011252000 | TEMPERATURE SWITCH VDO 640 DUKE | 1 |
| 65 | 0910100003 | PLUG DIN0910-M 10X1 640 ENDURO, SM, ADVENTURE | 1 |
| 66 | 0603100141 | COPPER GASKET DIN7603-10X14X1 | 1 |
| 67 | 0908120153 | PLUG DIN0908-M12X1,5 640 DUKE, 625 SXC, 625 SMC | 1 |
| 68 | 0770100020 | O-RING 10,00X2,00 SILCONE | 1 |
| 69 | 60011252000 | TEMPERAT.-SENSOR WATER LC8 02 640 ENDURO, SM, ADVENTURE | 1 |

065843602 / C065843602

* NEW PART

X AS REQUIRED

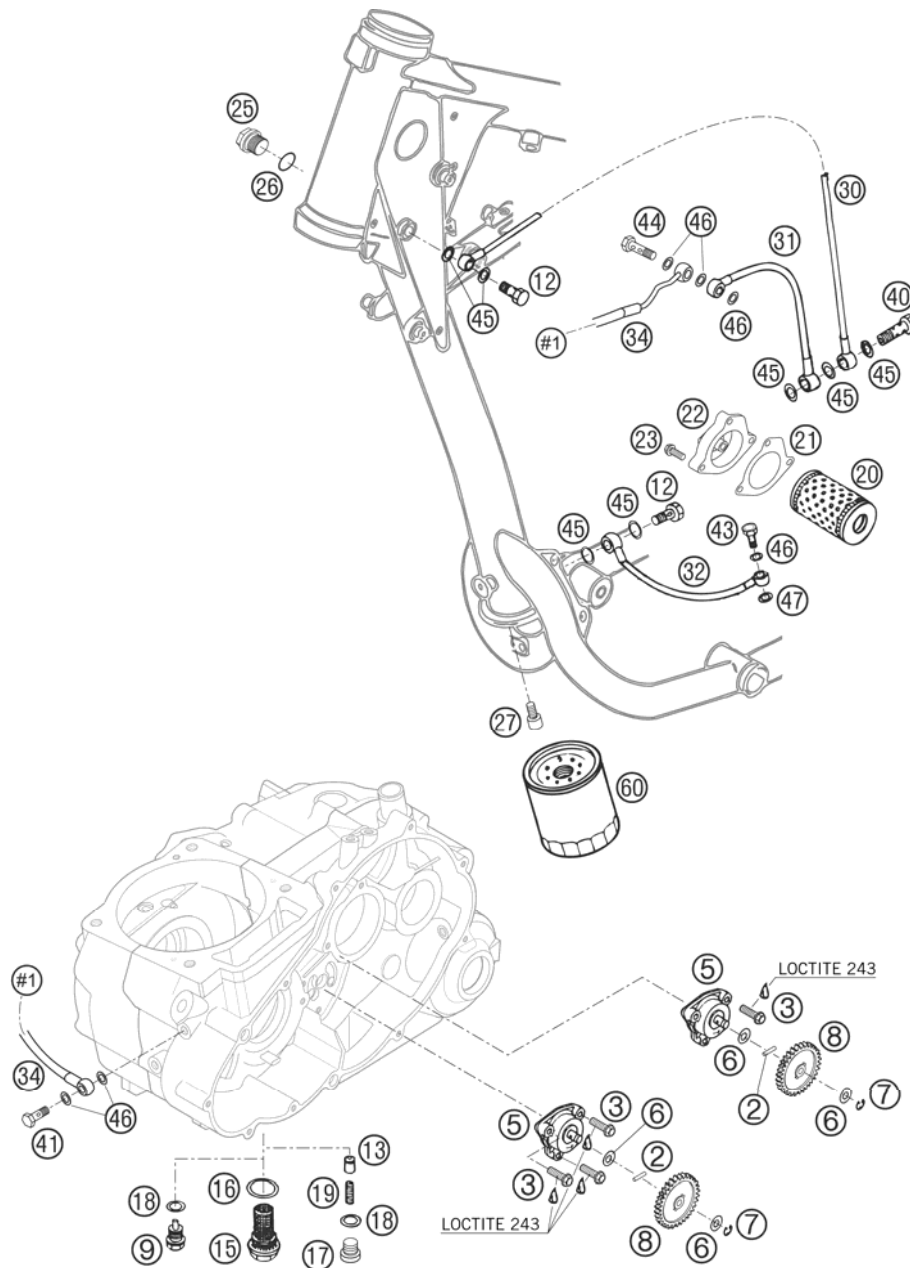


| FIG | PART NUMBER | DESCRIPTION | QTY |
|-----|-------------|--------------------------------|-----|
| 1 | 58036030000 | INTAKE VALVE D=36 MM | 2 |
| 2 | 58536031000 | EXHAUST VALVE D=32 MM 2001 | 2 |
| 3 | 57336036000 | VALVE SPRING HOLDER GRADED | 4 |
| 4 | 58036028000 | VALVE-STEAM SEALING | 4 |
| 6 | 58536029044 | VALVE SPRING KIT RALLYE 2001 | 4 |
| 7 | 58036032700 | VALVE-SPRING RETAINER ALU '95 | 4 |
| 8 | 58036033000 | VALVE COLLET MK7 | 8 |
| 10 | 58536060144 | ROCKER ARM INTAKE CPL. 2005 | 1 |
| 11 | 58536061144 | ROCKER ARM EXHAUST CPL. 2005 | 1 |
| 12 | 58036062600 | ADJUSTMENT SCREW CPL. M 7X0,75 | 4 |
| 13 | 0934070756 | HEXAGON NUT DIN0934-M 7X0,75 | 4 |
| 14 | 58036061090 | ROCKER ARM ROLLER CPL. INTAKE | 1 |
| 15 | 58336061090 | ROCKER ARM ROLLER CPL. EXHAUST | 1 |
| 20 | 58536056100 | ROCKER ARM SHAFT L=96MM 7,2MM | 2 |
| 21 | 58036095000 | O-RING 15,08 X 2,62 NBR 70 | 2 |
| 23 | 0988162202 | THRUST WASH.DIN0988-16X22X0,20 | x |
| 23 | 0988162205 | THRUST WASH. DIN0988-16X22X0,5 | x |
| 23 | 0988162210 | THRUST WASHER DIN0988-16X22X1 | x |
| 30 | 58036050100 | DECOMPRESSION SHAFT | 1 |
| 31 | 54334015000 | WASHER 10X14X0,5 STEEL | x |
| 31 | 54334015100 | WASHER 10X14X0,3 STEEL | x |
| 31 | 54334015200 | WASHER 10X14X0,15 STEEL | x |
| 32 | 58036059200 | DECOMP.LEVER SPRING | 1 |
| 33 | 0770100221 | O-RING 10,00X2,20 SILICONE | 1 |
| 34 | 58036048000 | COVER DISK | 1 |
| 35 | 58036049500 | DECOMPRESSION LEVER | 1 |
| 36 | 0021060003 | WASHER DIN9021-A 6,4 | 1 |
| 37 | 0912060103 | AH SCREW DIN0912-M 6X10 | 1 |

05584363 / C065843603

* NEW PART

X AS REQUIRED

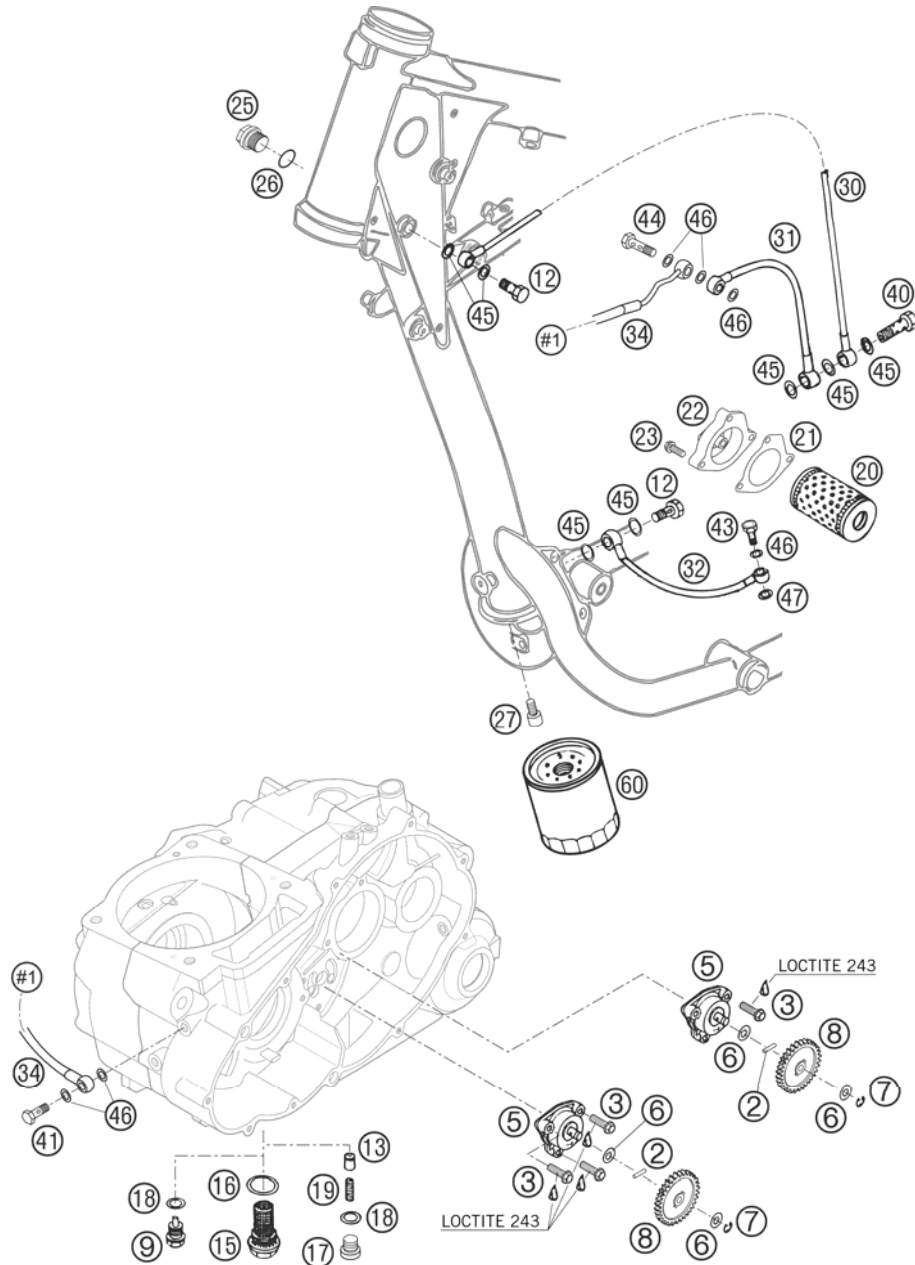


| FIG | PART NUMBER | DESCRIPTION | QTY |
|-----|-------------|-----------------------------------------------|-----|
| 2 | 0402251980 | NEEDLEROL.DIN5402 NRA 2,5X19,8 | 2 |
| 3 | 0015060203 | HH COLLAR SCREW M 6X20 WS=8 | 6 |
| 5 | 58038007700 | OIL PUMP MIKUNI G-73-10 | 2 |
| 6 | 58038007755 | STOP DISK 8,1 X 15 X 0,5 | 4 |
| 7 | 0799060000 | TAB WASHER DIN6799-RS 6,0 | 2 |
| 8 | 58438001000 | OIL PUMP GEAR 26-T | 2 |
| 9 | 58030021000 | OILDRAIN PLUG W.MAG. M 12X1,5 | 1 |
| 12 | 54313025000 | HOLLOW SCREW M10 X 1 | 2 |
| 13 | 58038028000 | VALVE PISTON D=10MM | 1 |
| 15 | 58038019100 | OIL DRAIN PLUG M22X1,5 | 1 |
| 16 | 58038017100 | CU-SEAL RING DIN7603-22X27X2 | 1 |
| 17 | 0908120153 | PLUG DIN0908-M12X1,5 | 1 |
| 18 | 58038022000 | CU-SEAL RING DIN7603-12X18X1,5 | 2 |
| 19 | 58038023300 | PRESSURE SPRING L=25MM D=1MM | 1 |
| 20 | 58038005100 | OIL FILTER LONG | 1 |
| 21 | 58530041000 | OIL FILTER COVER GASKET 2001 | 1 |
| 22 | 58030008700 | OIL FILTER COVER 2001 | 1 |
| 23 | 0015060253 | HH COLLAR SCREW M 6X25 WS=8 | 3 |
| 25 | 0910160153 | PLUG DIN0910-M16X1,5 | 1 |
| 26 | 0603162220 | CU-SEAL RING 16X22X2 | 1 |
| 27 | 0984060103 | AH SCREW DIN7984-M 6X10 | 1 |
| 30 | 58038234700 | OIL LINE FILTER-FRAME TUBE R10/R10 - 865MM | 1 |
| 31 | 58338034000 | OIL LINE CLUTCH COVER-FRAME R10/R8 - 206MM | 1 |
| 32 | 58338034100 | OIL LINE CLUTCH COVER-FRAME R10/R8 - 240MM | 1 |
| 34 | 58438034000 | OIL LINE 8/8 BENT 05 R8/R8 - 265MM | 1 |
| 40 | 58038033200 | DUAL BANJO BOLT M10X1 | 1 |
| 41 | 58038029000 | BANJO BOLT M8X1 | 1 |
| 43 | 58038130000 | JET SCREW M 8 X 1 "150" | 1 |
| 44 | 58038033000 | DUAL BANJO BOLT M8x1 | 1 |
| 45 | 0603100141 | COPPER GASKET DIN7603-10X14X1 | 7 |
| 46 | 0603082121 | SEAL RING CU DIN7603- 8X12X1 | 3 |
| 47 | 58038032300 | CU-SEAL RING 8 X 12 X 1,5 | 1 |

065843800 / C065843800

* NEW PART

X AS REQUIRED



| FIG | PART NUMBER | DESCRIPTION | QTY |
|-----|-------------|-------------------|-----|
| 60 | 58338045100 | SCREW TYPE FILTER | 1 |

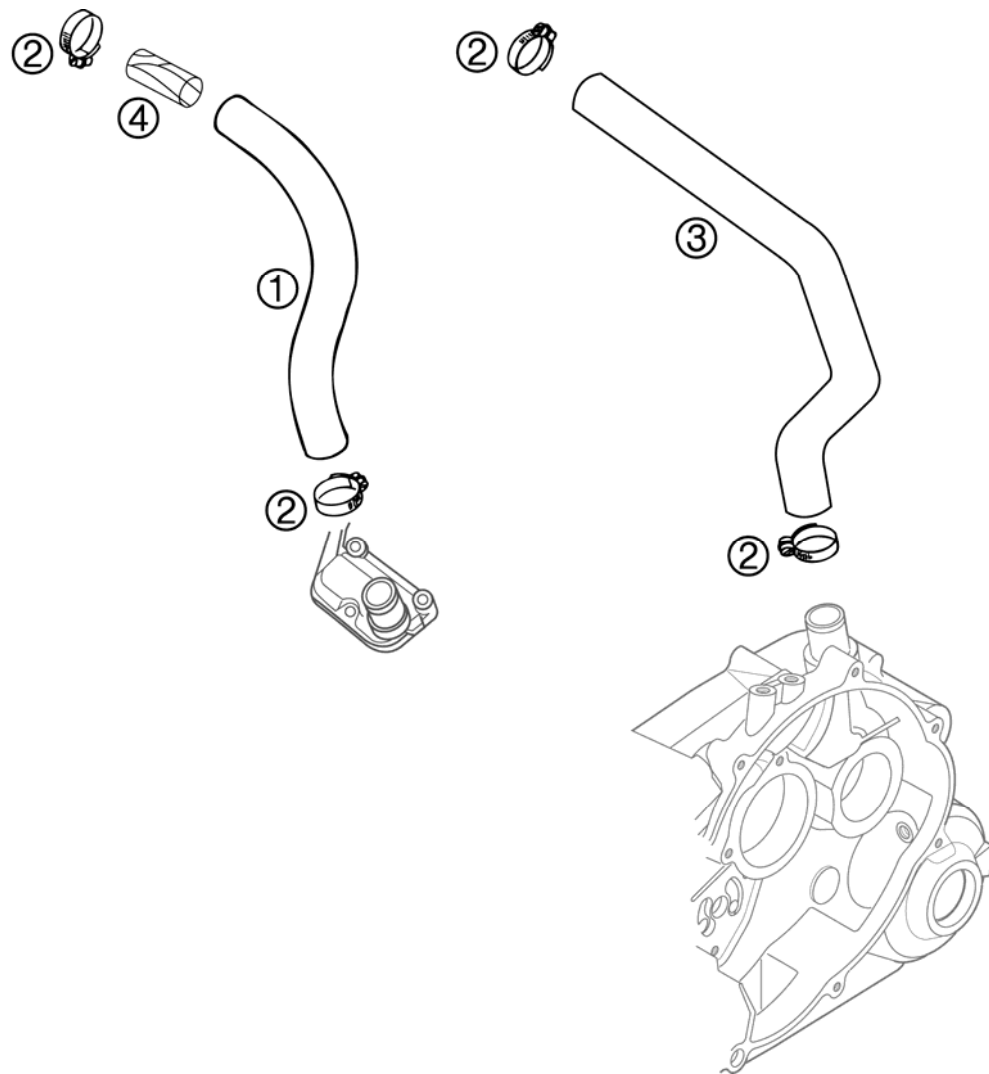
065843800 / C065843800

* NEW PART

X AS REQUIRED

ENGINE EXHAUST

640 LC4 ADVENTURE 2007

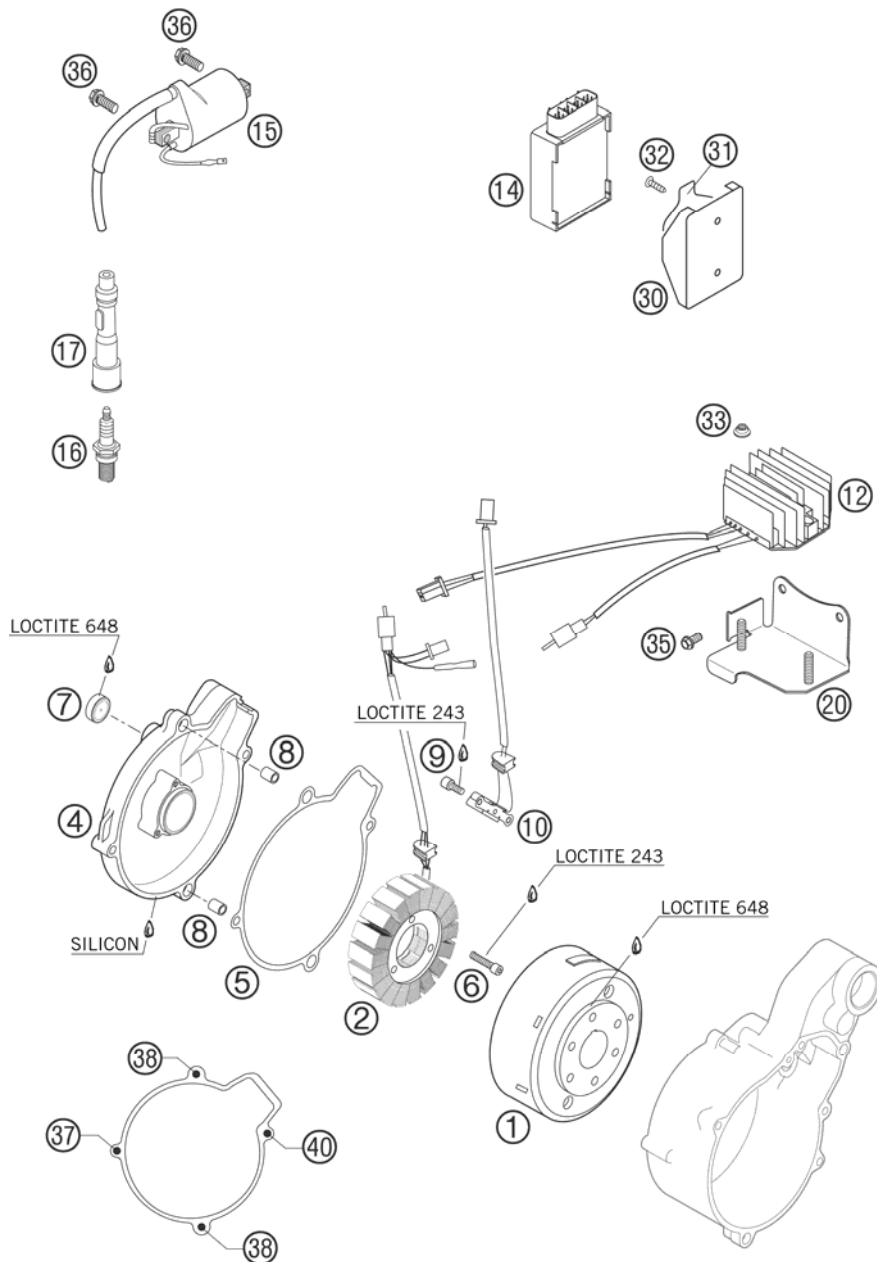


| FIG | PART NUMBER | DESCRIPTION | QTY |
|-----|-------------|----------------------------|-----|
| 1 | 58430087000 | ENGINE BREATHER TUBE TOP | 1 |
| 2 | 42013037200 | HOSE CLAMP GEMI 12/22 | 4 |
| 3 | 57530090000 | BREATHER TUBE ENGINE '93 | 1 |
| 4 | 58430089000 | FILTER BREATHER SYSTEM '98 | 1 |

02584388 / C065843808

* NEW PART

X AS REQUIRED



| FIG | PART NUMBER | DESCRIPTION | QTY |
|-----|---------------|-----------------------------------------------------------|-----|
| 1 | 58439005100 | FLYWHEEL KOKUSAN GP9128 '97 | 1 |
| 2 | 58439004000 | STATOR KOKUSAN LOOSE '96 | 1 |
| 4 | 5843000214423 | IGNITION COVER CPL. GREY '03 WITH OIL INSPECTION GLASS | 1 |
| 5 | 58430040000 | IGNITION COVER GASKET '96 | 1 |
| 6 | 0912050253 | AH SCREW DIN0912-M 5X25 | 3 |
| 7 | 58430095000 | INSPECTION GLASS GW 20-7 | 1 |
| 8 | 49030090000 | DOWEL 9,8 X 7 X 10 | 2 |
| 9 | 0912050083 | AH SCREW DIN 912 M 5X8 | 2 |
| 10 | 58439034000 | PULSER COIL | 1 |
| 12 | 58411034100 | VOLT.REGULATOR-RECTIFIER 12V | 1 |
| 14 | 58639031500 | CDI 640 ADV./ENDURO 06 | 1 |
| 15 | 58439006000 | IGNITIONCOIL IG3826 KOKUSAN'96 | 1 |
| 16 | 59039093100 | SPARK PLUG NGK DCPR8E '03 | 1 |
| 17 | 58439090000 | SPARK PLUG CONNECT. SD05EG '03 | 1 |
| 20 | 58411055200 | BATTERY BRACKET '03 | 1 |
| 30 | 58439030200 | RUBBER BRACKET FOR DIGI-BOX '03 | 1 |
| 31 | 58439030250 | SUPPORT FOR RUBBER BRACKET '03 | 1 |
| 32 | 0017050181 | SCREW FOR PLASTIC D=5X18 | 2 |
| 33 | 56509064100 | SELF LOCKING NUT M6 10.9 | 2 |
| 35 | 0015060103 | HH COLLAR SCREW M 6X10 WS=8 | 2 |
| 36 | 0015060163 | HH COLLAR SCREW M 6X16 WS=8 | 2 |
| 37 | 0015060253 | HH COLLAR SCREW M 6X25 WS=8 | 1 |
| 38 | 0015060303 | HH COLLAR SCREW M 6X30 WS=8 | 2 |
| 40 | 0015060803 | HH COLLAR SCREW M 6X80 WS=8 | 1 |

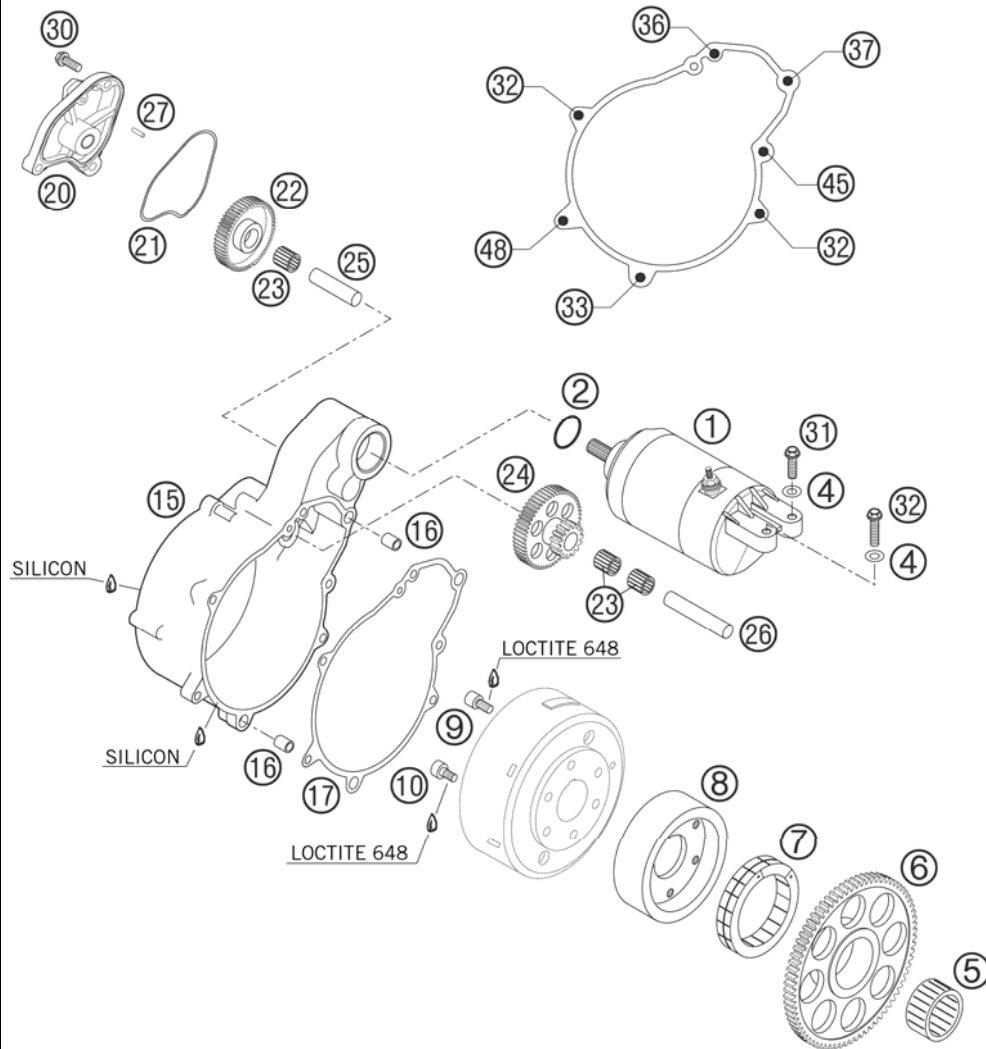
05584390 / C075823900

* NEW PART

X AS REQUIRED

ELECTRIC STARTER

640 LC4 ADVENTURE 2007

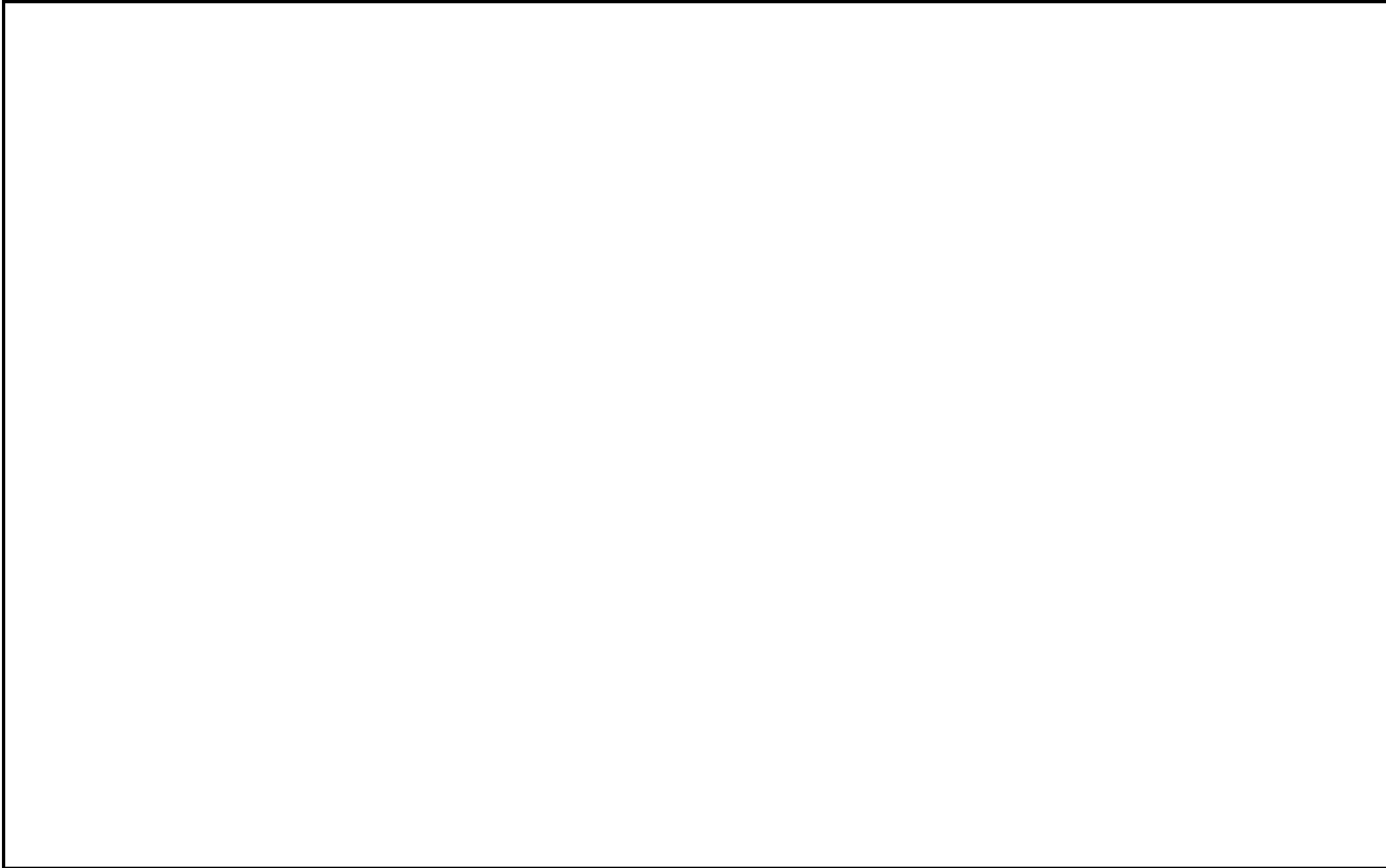


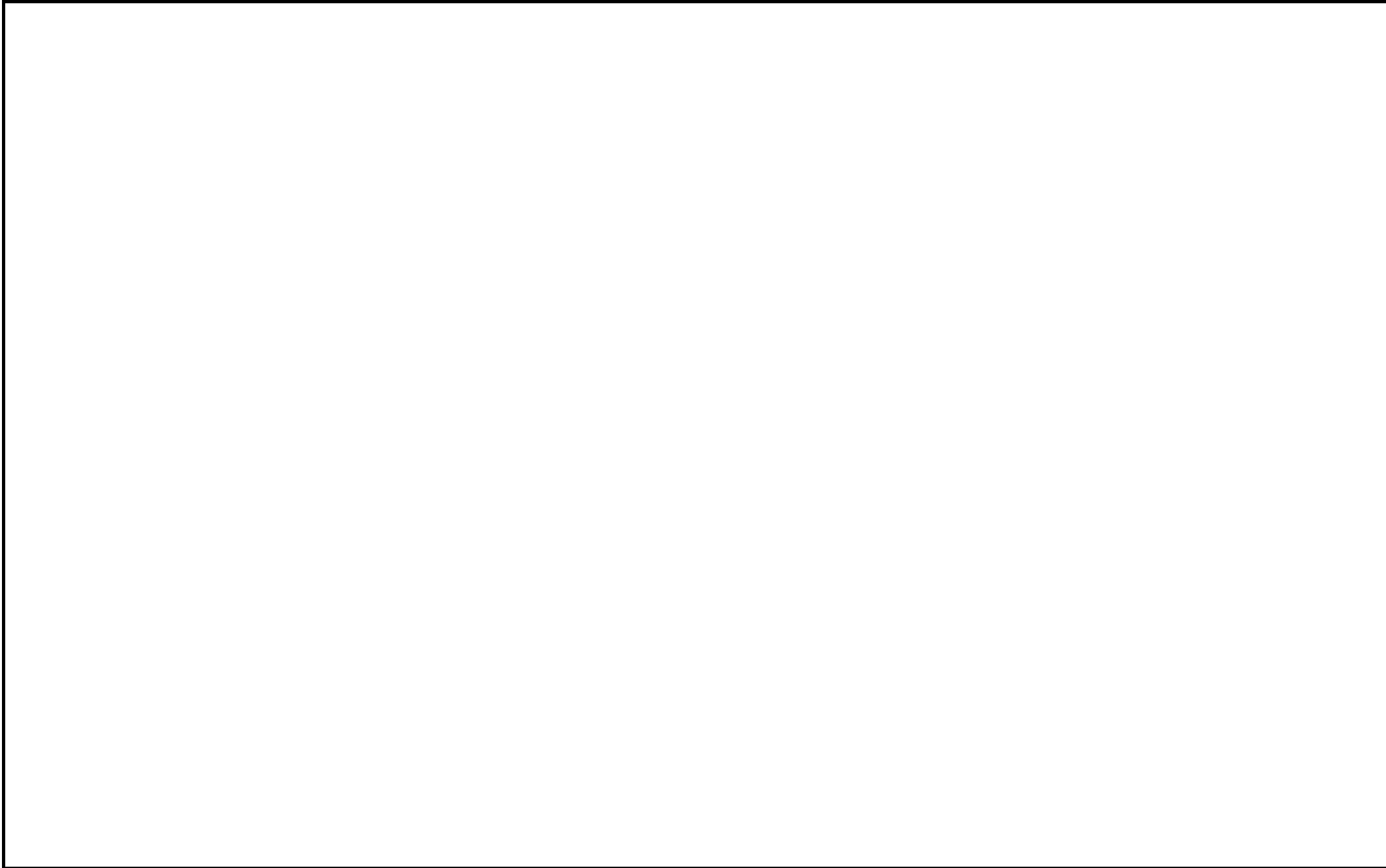
| FIG | PART NUMBER | DESCRIPTION | QTY |
|-----|---------------|--------------------------------|-----|
| 1 | 58440001000 | E-STARTER ENGINE CPL. LC4-E | 1 |
| 2 | 0770250030 | O-RING 25,00X3,00 NBR 70 | 1 |
| 4 | 0125060003 | WASHER DIN0125-A 6,4 | 2 |
| 5 | 58440090100 | NEEDLE BEARING K30 X 37 X 18 A | 1 |
| 6 | 58440020079 | FREE-WHEEL-GEAR 79-T | 1 |
| 7 | 58440026000 | FREE-WHEEL FWD 332008 BLS | 1 |
| 8 | 58440025000 | FREEWHEEL HUB | 1 |
| 9 | 0912060121 | AH SCREW DIN0912-M 6X12 12.9 | 4 |
| 10 | 58440098000 | AH CENTERING SCREW M6X12,5 | 2 |
| 15 | 5844001010023 | STARTER FLANGE GREY 03 | 1 |
| 16 | 49030090000 | DOWEL 9,8 X 7 X 10 | 2 |
| 17 | 58540042000 | STARTER FLAN.GASKET 0,5MM 2001 | 1 |
| 20 | 5844001110023 | STARTER COVER GREY 03 | 1 |
| 21 | 58440011050 | FORM RING F.STARTERCOVER NBR70 | 1 |
| 22 | 58440022000 | INTERMEDIATE GEAR 52-T | 1 |
| 23 | 58440090000 | NEEDLE BEARING K10 X 13 X 13TN | 3 |
| 24 | 58440021018 | REDUCTION GEAR 55-T/18-Z | 1 |
| 25 | 58440028000 | BEARING BOLT 10 X 38,4 | 1 |
| 26 | 58440029000 | BEARING BOLT 10 X 54 | 1 |
| 27 | 0402040780 | NEEDLEROLL. DIN5402 NRB 4X 7,8 | 2 |
| 30 | 0015060163 | HH COLLAR SCREW M 6X16 WS=8 | 1 |
| 31 | 0015060203 | HH COLLAR SCREW M 6X20 WS=8 | 1 |
| 32 | 0015060253 | HH COLLAR SCREW M 6X25 WS=8 | 3 |
| 33 | 0015060303 | HH COLLAR SCREW M 6X30 WS=8 | 1 |
| 36 | 0015060453 | HH COLLAR SCREW M 6X45 WS=8 | 1 |
| 37 | 0015060503 | HH COLLAR SCREW M 6X50 WS=8 | 1 |
| 45 | 0015060803 | HH COLLAR SCREW M 6X80 WS=8 | 1 |
| 48 | 0015060953 | HH COLLAR SCREW M 6X95 WS=8 | 1 |

05584400 / C065834000

* NEW PART

X AS REQUIRED









KTM-Sportmotorcycle AG
A-5230 Mattighofen
www.ktm.at

KTM Group Partner



3CM088246GEN



Art.Nr.: 3CM088246GEN 9/2006