

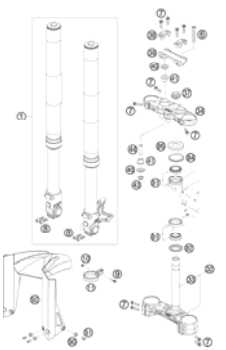
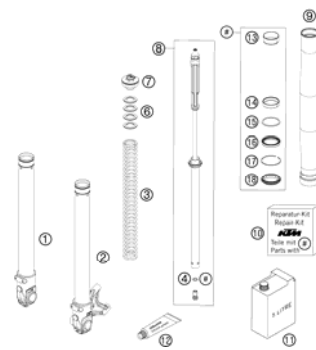
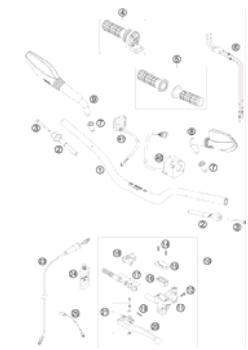
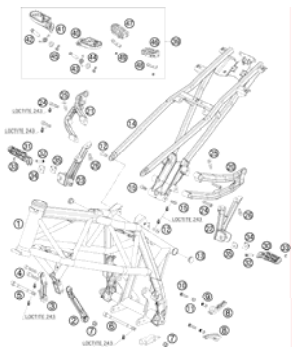
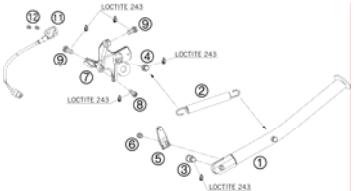
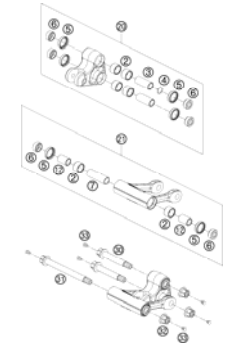
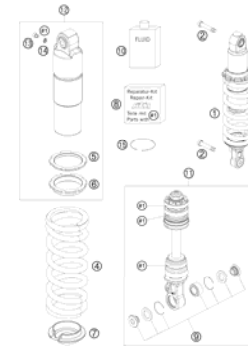
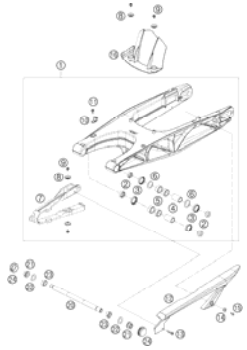

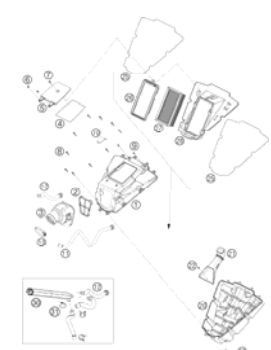
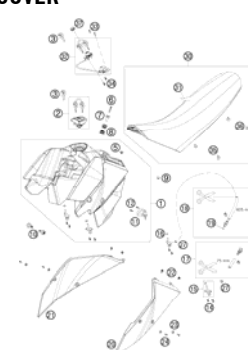
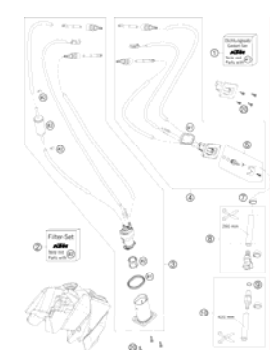
690 SUPERMOTO LIM.ED EU 2009



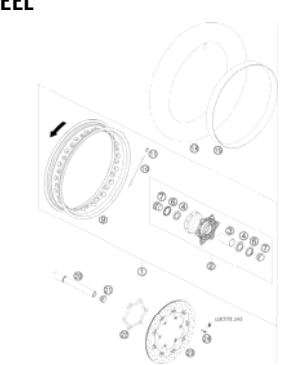
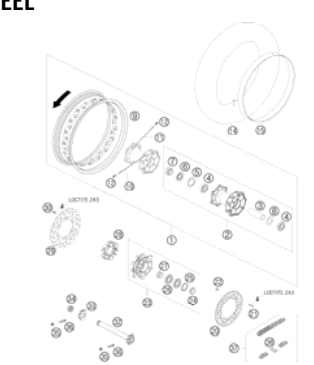



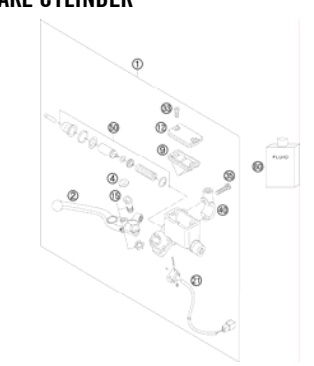
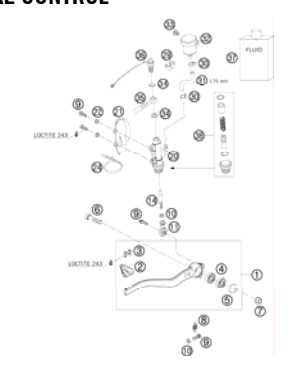
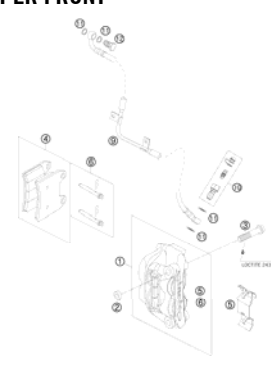
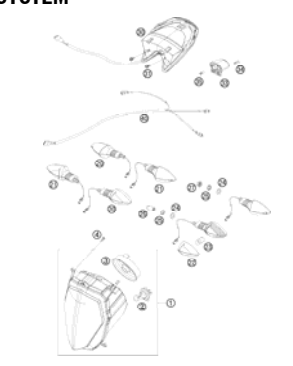
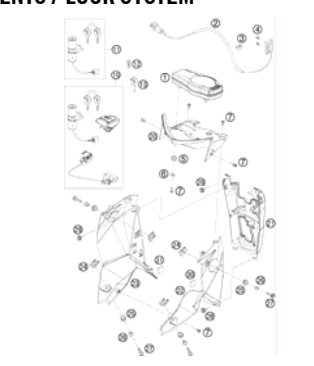
SPARE PARTS MANUAL: CHASSIS

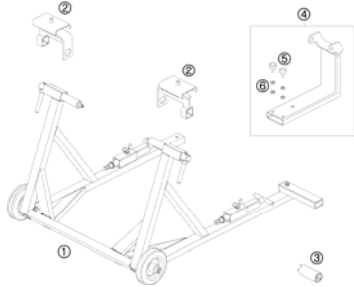
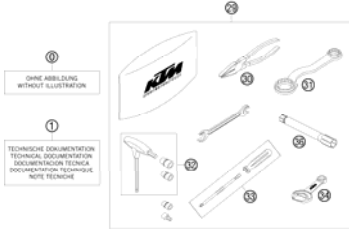
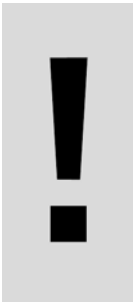
ART.NO.: 3CF9703I1EN

ENGLISH



<p>FRONT FORK, TRIPLE CLAMP</p>  <p>4</p>	<p>FRONT FORK DISASSEMBLED</p>  <p>5</p>	<p>HANDLEBAR, CONTROLS</p>  <p>6</p>	<p>FRAME</p>  <p>7</p>
<p>SIDE / CENTER STAND</p>  <p>9</p>	<p>PRO LEVER LINKING</p>  <p>10</p>	<p>MONOSHOCK</p>  <p>11</p>	<p>SWING ARM</p>  <p>12</p>
<p>EXHAUST SYSTEM</p>  <p>13</p>	<p>AIR FILTER</p>  <p>14</p>	<p>TANK, SEAT, COVER</p>  <p>15</p>	<p>FUEL PUMP</p>  <p>16</p>

<p>MASK, FENDERS</p>  <p>17</p>	<p>DECAL</p>  <p>19</p>	<p>FRONT WHEEL</p>  <p>20</p>	<p>REAR WHEEL</p>  <p>21</p>
<p>WIRING HARNESS</p>  <p>22</p>	<p>BATTERY</p>  <p>23</p>	<p>BRAKE CALIPER REAR</p>  <p>24</p>	<p>HAND BRAKE CYLINDER</p>  <p>25</p>
<p>REAR BRAKE CONTROL</p>  <p>26</p>	<p>BRAKE CALIPER FRONT</p>  <p>27</p>	<p>LIGHTING SYSTEM</p>  <p>28</p>	<p>INSTRUMENTS / LOCK SYSTEM</p>  <p>29</p>

<p>SPECIAL TOOLS</p>  <p style="text-align: right;">30</p>	<p>ACCESSORIES KIT</p>  <p style="text-align: right;">31</p>		
	<div style="display: flex; align-items: center;">  <p>All information contained is without obligation. KTM-Sportmotorcycle AG particularly reserves the right to modify any equipment, technical specifications, prices, colors, shapes, materials, services, service work, constructions, equipment and the like so as to adapt them to local conditions or to cancel any of the above items, all without previous announcement and without giving reasons. KTM may stop manufacturing certain models without previous notice. KTM shall not be held liable for any deviations of availability and/or ability to deliver, illustrations, descriptions, printing and/or other errors. The illustrated models partly contain extra equipment, which is not applied to standard models. © by KTM-SPORTMOTORCYCLE AG, Mattighofen AUSTRIA; All rights reserved; Reprint, also in extracts, with written allowance of KTM-SPORTMOTORCYCLE AG, Mattighofen only.</p> </div>		

FRONT FORK, TRIPLE CLAMP

690 SUPERMOTO LIM.ED EU 2009

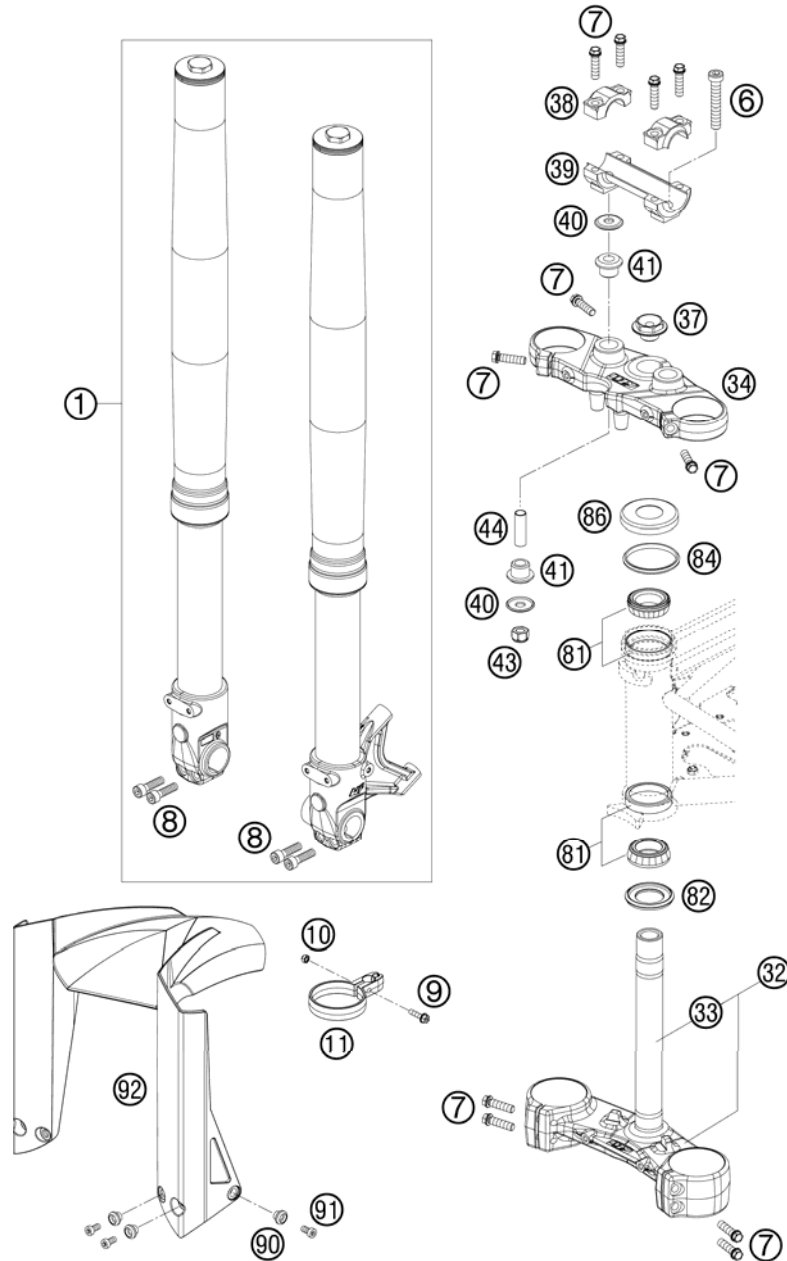


FIG	PART NUMBER	DESCRIPTION	QTY
1	14187E4701	FORK KTM 690 SM LV 2009	1
6	0012100603	AH SCREW DIN6912-M10X60	2
7	0025080306	HH COLLAR SCREW M8X30 TX40	11
8	0912080303	AH SCREW DIN0912-M 8X30	4
9	0025050206	HH COLLAR SCREW M5X20 TX30	1
10	0985050003	SELF LOCKING NUT DIN0985-M 5	1
11	75001070000	CLAMP BRAKE HOSE 07	1
32	7500103203201S	BOTTOM TRIPLE CLAMP CPL. 07	1
33	60001033000	FORK TUBE LC8 ADV 03	1
34	7500103403201S	TOP TRIPLE CLAMP 54MM 07	1
37	54801036000	STEER.HEAD SCREW M20X1,5 WS=27	1
38	5900103830001S	HANDLEBAR CLAMP 28MM 07	2
39	5900103920001S	HANDLEBAR SUPPORT 28MM 07	1
40	56401042000	WASHER 10,5X32X2	4
41	56401040000	RUBBER BUSHING	4
43	0982100003	SELF LOCK.NUT DIN0982-M10 HIGH	2
44	61001041000	SPACER TUBE 10,2X12X38 05	2
81	54201081100	TAPERED ROLLER BEARING CPL. 06	2
82	54601084100	%O-RING SUPPORT W. SEALING LIP	1
84	54601184000	STEARING HEAD GASKET TOP	1
86	61001086000	STEERING HEAD COVER 05	1
90	75001094010	BUSHING MUD FLAP 07	6
91	0012060123	AH SCREW DIN6912 M6X12	6
92	7500109400033	SPLASH PROTECTOR BLACK MATT 07	1

087500110 / C097500110

* NEW PART

X AS REQUIRED

FRONT FORK DISASSEMBLED

690 SUPERMOTO LIM.ED EU 2009

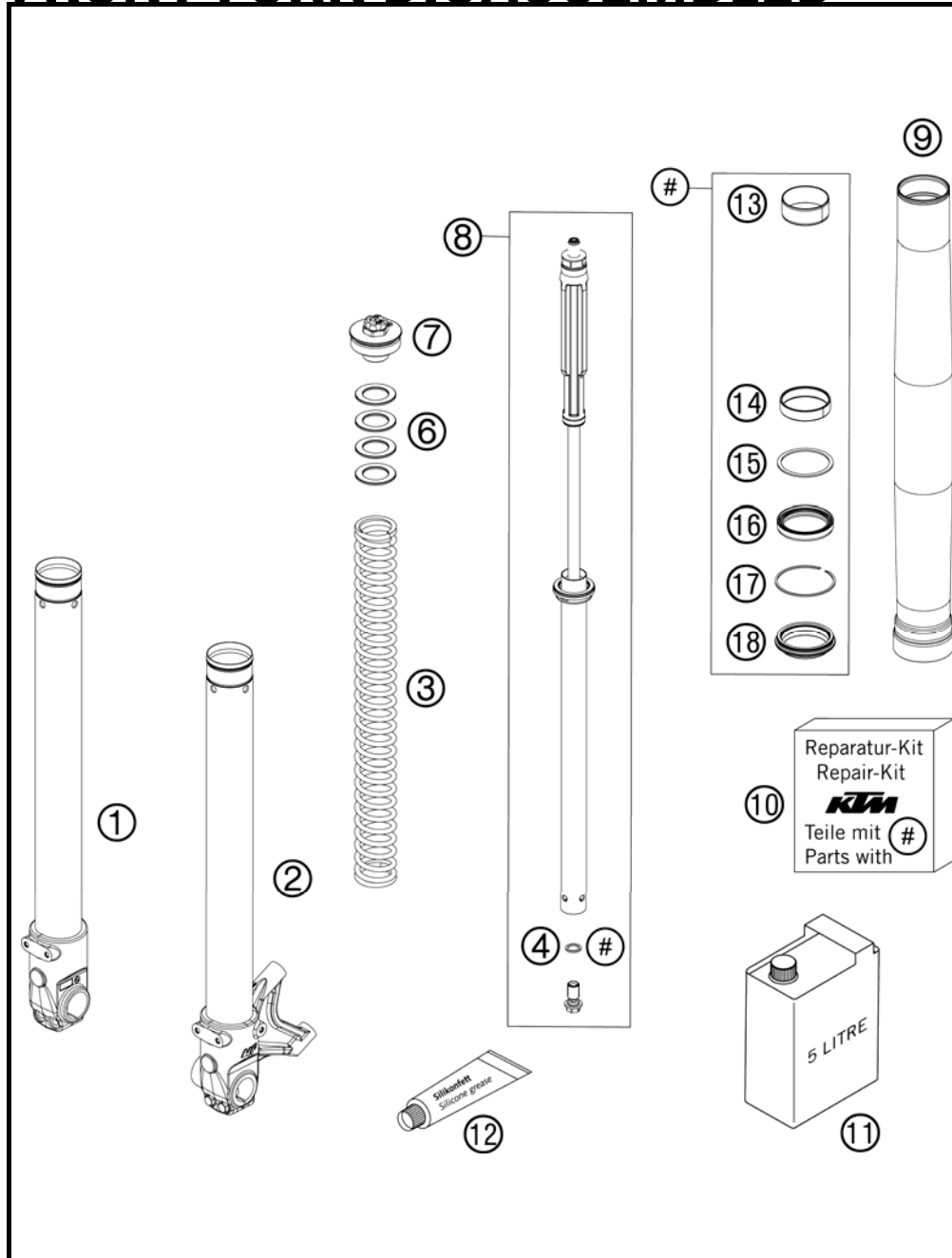


FIG	PART NUMBER	DESCRIPTION	QTY
1	48600585S1	AXLE CLAMP R/S CPL. 07	1
2	48600584S1	AXLE CLAMP L/S CPL. 07	1
3	91410057S	SPRING 5,2N/MM L=415 D=5,1	1
3	91410072S	SPRING D43.2 L415 4.8N/MM	x
3	91410073S	SPRING D43.2 L415 5.6N/MM	x
4	48600704	SEALING RING COPPER 12X18X1,5	2
6	48600036	SPACER 42X26,5X2,5	2
6	48600037	SPACER 42X26,5X5	2
6	48600038	SPACER 42X26,5X10	2
6	48600053	SPACER 42X26,5X1,5	2
7	48600558S	SCREW CAP M51X1,5 CPL. 07	2
8	48600900S	CARTRIDGE CPL. 09	1
9	48600484	OUTER TUBE L=500MM D=54/60	2
10	R14016	REPAIR-KIT EXC FRONT FORK 2009	1
11	48600765S1	FORK OIL SAE5 5L 2008	1
12	T511	SILICONE GREASE F. DUST STRI	1
13	48600428	DU-BUSH D47XD49X20DDL02	2
14	48600429	DU-BUSH D48XD52X12DDL02	2
15	48600013	SUPPORT RING 50 X 57,6 X 1,5	2
16	48600347	OIL SEAL RING 48X57,8X9,5 03	2
17	48600070	LOCK WASHER SB58	2
18	48600400	DUST CAP D=48 58,4X11,8	2

087500130 / C097500130

* NEW PART

X AS REQUIRED

HANDLEBAR, CONTROLS

690 SUPERMOTO LIM.ED EU 2009

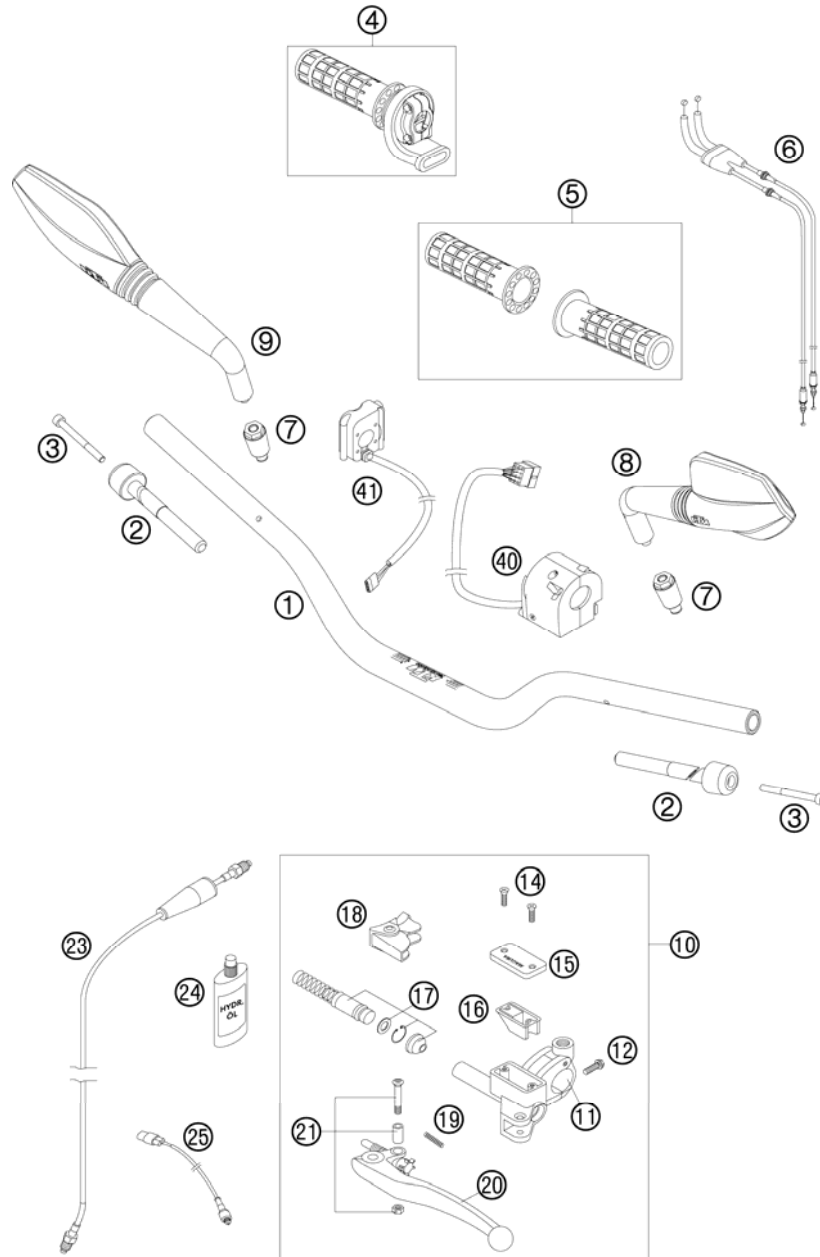


FIG	PART NUMBER	DESCRIPTION	QTY
1	75002001000	HANDLEBAR D=28MM	07
2	61002004000	VIBRATIONS ABSORBER	05
3	0912060653	AH SCREW DIN0912-M 6X65	
4	75002010000	THROTTLE GRIP CPL.	07
5	58302021100	GRIPP SET FULL WAFFLE	
6	75002091000	THROTTLE CABLE	07
7	58412040050	SUPPORT FOR MIRROR LC4 '98	
8	61112040000	REVIEW MIRROR L/S	07
9	61112041000	REVIEW MIRROR R/S	07
10	75002030000	MASTER CYLINDER CPL. 11MM	07
11	60002044000	CLAMP MIRROR WITH CLAMP	
12	0025060206	HH COLLAR SCREW M6X20 TX30	
14	0965040123	FLAT HEAD SCREW DIN0965-M 4X12	
15	50302033000	COVER FOR HYDR. CLUTCH '98	
16	50302034000	RUBBER FOR RESERVOIR '98	
17	75002032000	REP.SET PISTON 11MM	07
18	50302037000	PROTECT.CAP FOR LEVER PERCH'98	
19	59002035000	SPRING FOR CLUTCH LEVER	03
20	60002031000	CLUTCH LEVER LONG CPL.	2003
21	50302038000	LEVER SCREW CPL. 125-200 '98	
23	75032063000	CLUTCH PIPE SM	07
24	50302036200	OIL FOR HYD. CLUTCH 75ML	
25	58411049100	CLUTCH SWITCH	03
40	61011070000	LIGHT SWITCH	05
41	58411074100	START-STOP SWITCH AD LC4	02

087500210 / C097500210

* NEW PART

X AS REQUIRED

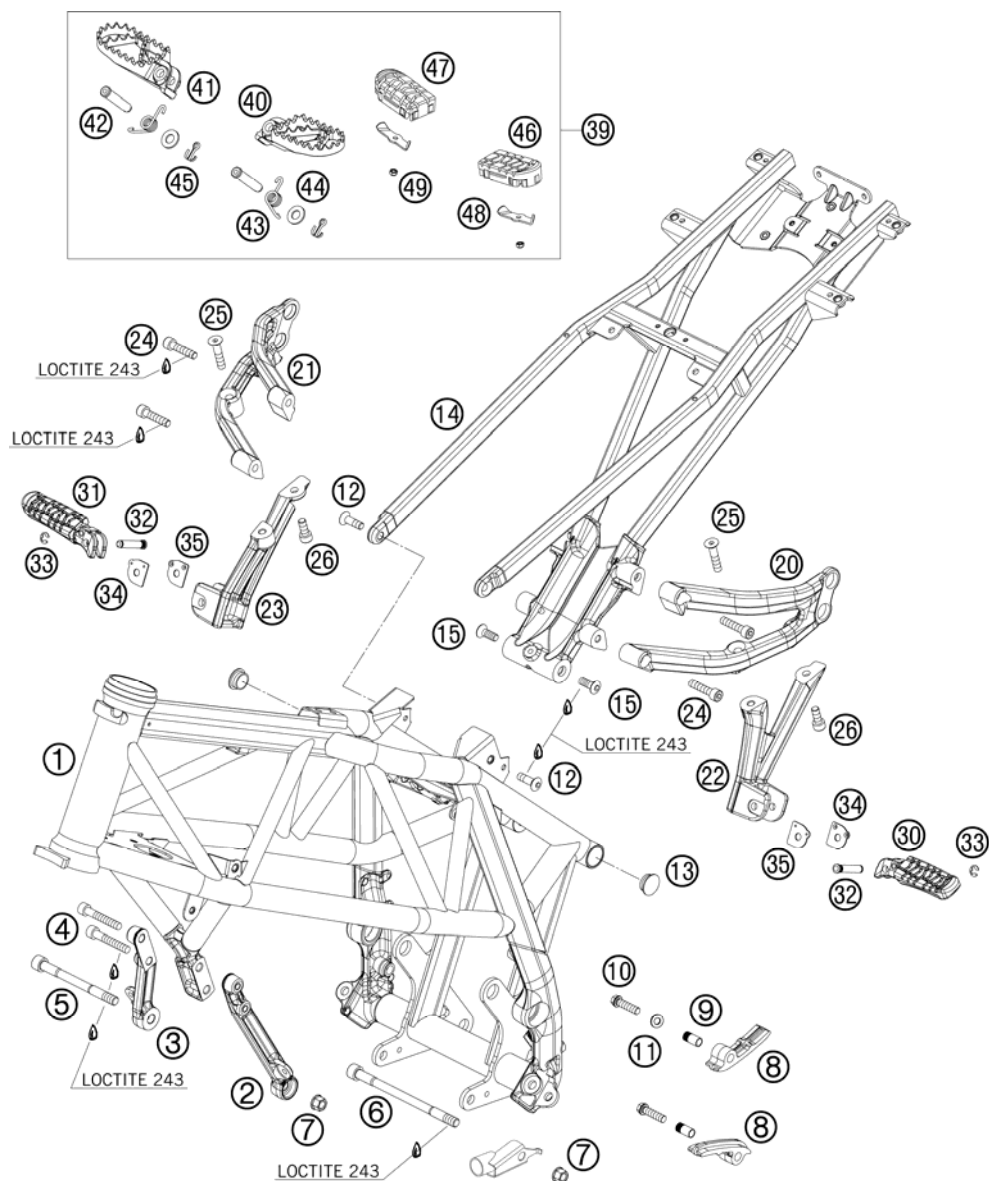


FIG	PART NUMBER	DESCRIPTION	QTY
1	7500300110033	FRAME "EE08" BLACK MATT 08	1
2	7500300104901	CONNECTION BRACKET ENG. L/S 07	1
3	7500310104901	CONNECTION BRACKET ENG. R/S 07	1
4	0912080503	AH SCREW DIN912 M8X50	2
5	75003015000	SPECIAL SCREW M10X115 ISK8 07	1
6	75003014000	SCREW	1
7	54630044000	COLLAR NUT M10 WS=13	2
8	54804067000	CHAIN SLIDING PIECE 03	2
9	51103053051	BUSHING 8,2X10X20	2
10	0025080306	HH COLLAR SCREW M8X30 TX40	2
11	0125080003	WASHER DIN0125-A 8,4	1
12	0019080206S	FLAT HEAD SCREW M. ISA45 M8X20	2
13	61003088000	PLUG SFL28 05	2
14	7500300200092	SUB FRAME PLATINUM 07	1
15	60003004027	FL.HEAD SCREW M10X1,25 L=27 03	2
20	7500304800001S	FOOTREST BRACKET REAR L/S 07	1
21	7500304900001S	FOOTREST BRACKET REAR R/S 07	1
22	7500305800001S	FOOTREST CARRIER L/S 07	1
23	7500305900001S	FOOTREST CARRIER R/S 07	1
24	0912080353	AH SCREW DIN0912-M 8X35	4
25	0991080403	FLAT HEAD SCREW DIN7991-M 8X40	2
26	0912080203	AH SCREW DIN912 M8x20	2
30	60003050000	FOOTREST CPL. L/S REAR 03	1
31	60003051000	FOOTREST CPL. R/S REAR 03	1
32	60003044000	BOLT FOR FOOTREST REAR 03	2
33	0799060003	TAB WASHER DIN6799-RS 6,0	2
34	60003052000	ENGAGE PANEL FOOTREST R/S 03	2
35	60003152000	ENGAGE PANEL FOOTREST L/S 03	2
39	60003040033	FOOTPEG L/S+R/S CPL. 03	1
40	59003040250	FOOT PEG L/S SILVER 02	1
41	59003041250	FOOT PEG R/S SILVER 02	1
42	54803044000	BOLT FOR FOOT PED 03	2
43	54603041000	FOOTREST SPRING L/S & R/S	2
44	0125100003	WASHER DIN0125-A10,5	2
45	0094032253	PIN DIN0094-3,2X25 STEEL	2
46	60003040010	FOOTREST RUBBER FRONT L/S 03	1

087500310 / C097500310

* NEW PART

X AS REQUIRED

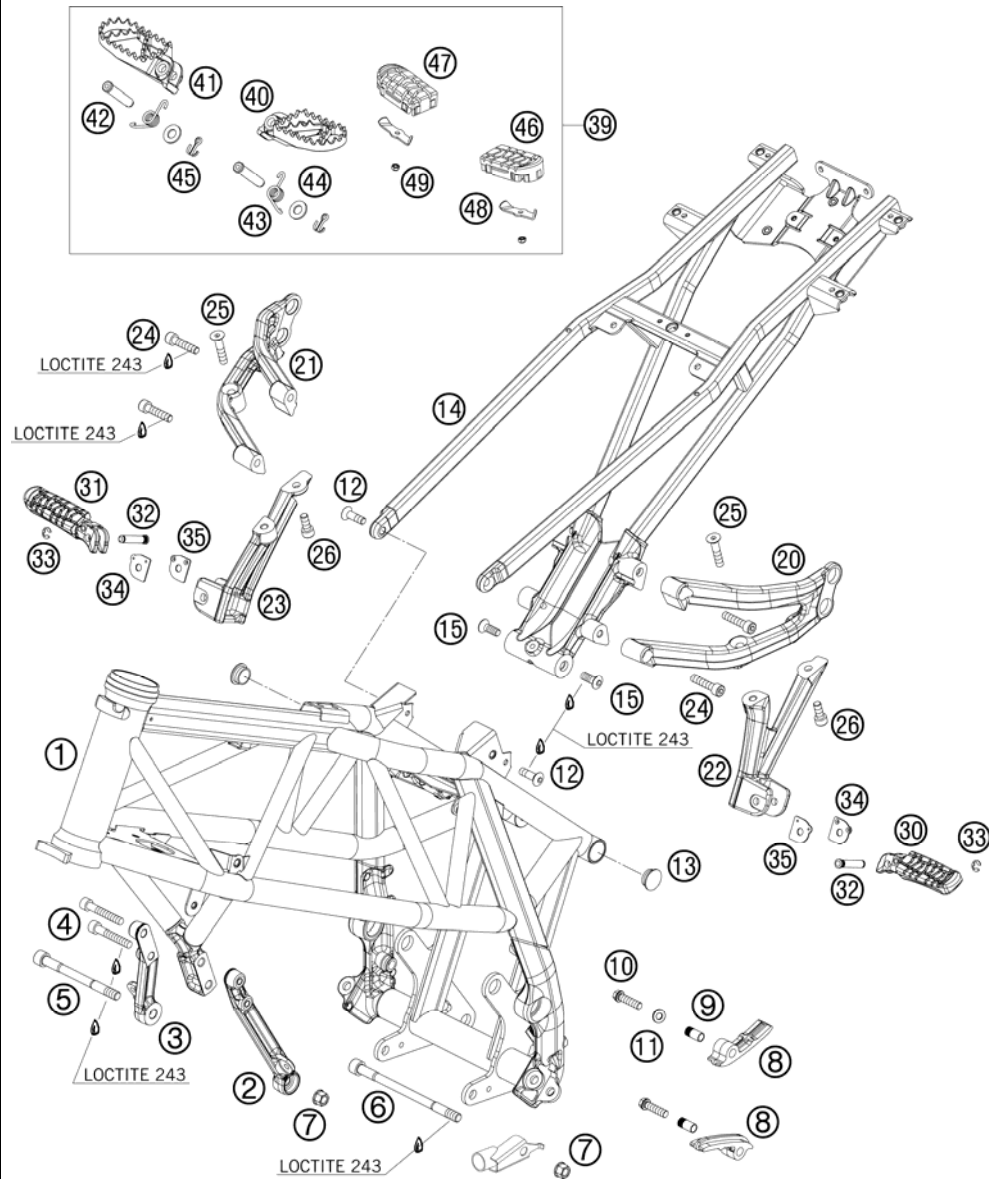


FIG	PART NUMBER	DESCRIPTION	QTY
47	60003041010	FOOTREST RUBBER FRONT R/S 03	1
48	60003044010	CLOSING PANEL FRONT L/S R/S 03	2
49	0985050003	SELF LOCKING NUT DIN0985-M 5	2

087500310 / C097500310

* NEW PART

X AS REQUIRED

SIDE / CENTER STAND

690 SUPERMOTO LIM.ED EU 2009

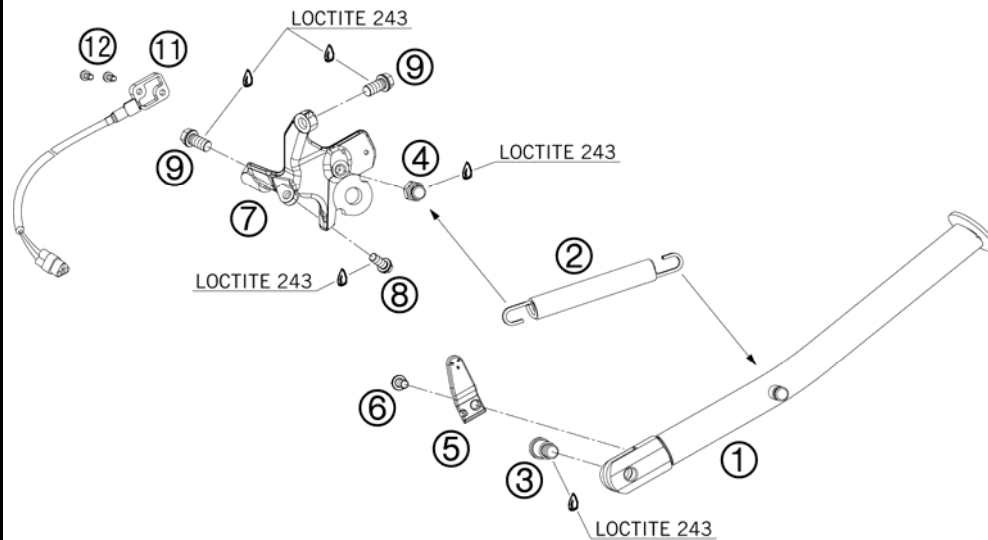


FIG	PART NUMBER	DESCRIPTION	QTY
1	7500312300033	SIDE STAND L=280 MM	1
2	61003024000	SPRING L=116 MM 05	1
3	62503027200	SCREW FOR SIDE STAND M10X31,2	1
4	75003028001	SPE. SCREW SIDE STAND SPRING	1
5	62503029050	MAGNET HOLDER 05	1
6	0025060126	HH COLLAR SCREW M6X12 TX30	1
7	75003023053	SIDESTAND BRACKET FORGING	1
8	59009062019	SPECIAL SCREW M6X19 WS=8 10.9	1
9	0025080166	HH COLLAR SCREW M8X16 TX40	2
11	61011045000	SIDE STAND SENSOR 05	1
12	0084040083	CYL.HEAD SCREW DIN0084-M 4X8 A	2

087500360 / C097500360

* NEW PART

X AS REQUIRED

PRO LEVER LINKING

690 SUPERMOTO LIM.ED EU 2009

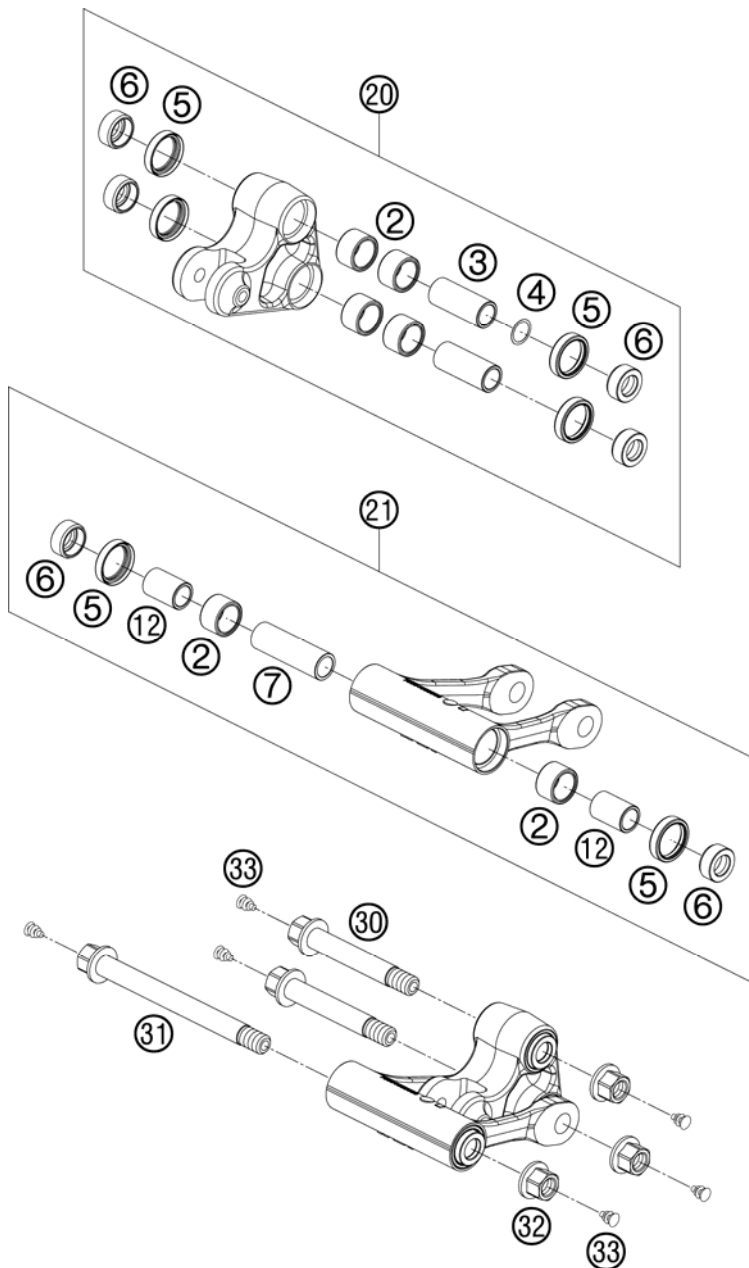


FIG	PART NUMBER	DESCRIPTION	QTY
2	54603097000	NEEDLE BUSH HK 2016	6
3	54603081000	BUSHING SLEEVE 15 X 20 X 48	2
4	54603090020	STEEL WASHER 15,2X19X0,2	1
5	0760253270	SHAFT SEAL RING 25X32X7	6
6	58303090000	SPAC.F.SHAFT SEALRING 15X25X11	6
7	75004084000	SPACER SLEEVE 15X20X63 07	1
12	50203081800	BEARING BUSHING	2
20	7500408004401	SETTING LEVER CPL. 07	1
21	7500408304401	INTERMEDIATE LEVER CPL. 07	1
30	54603182044	BOLT CPL.	2
31	75004085044	BOLT KPL	1
32	54603015000	SELF LOCKING NUT M14X1,5 WS=19	3
33	54403135000	PLASTIC CAP SFL10	6

087500460 / C087500460

* NEW PART

X AS REQUIRED

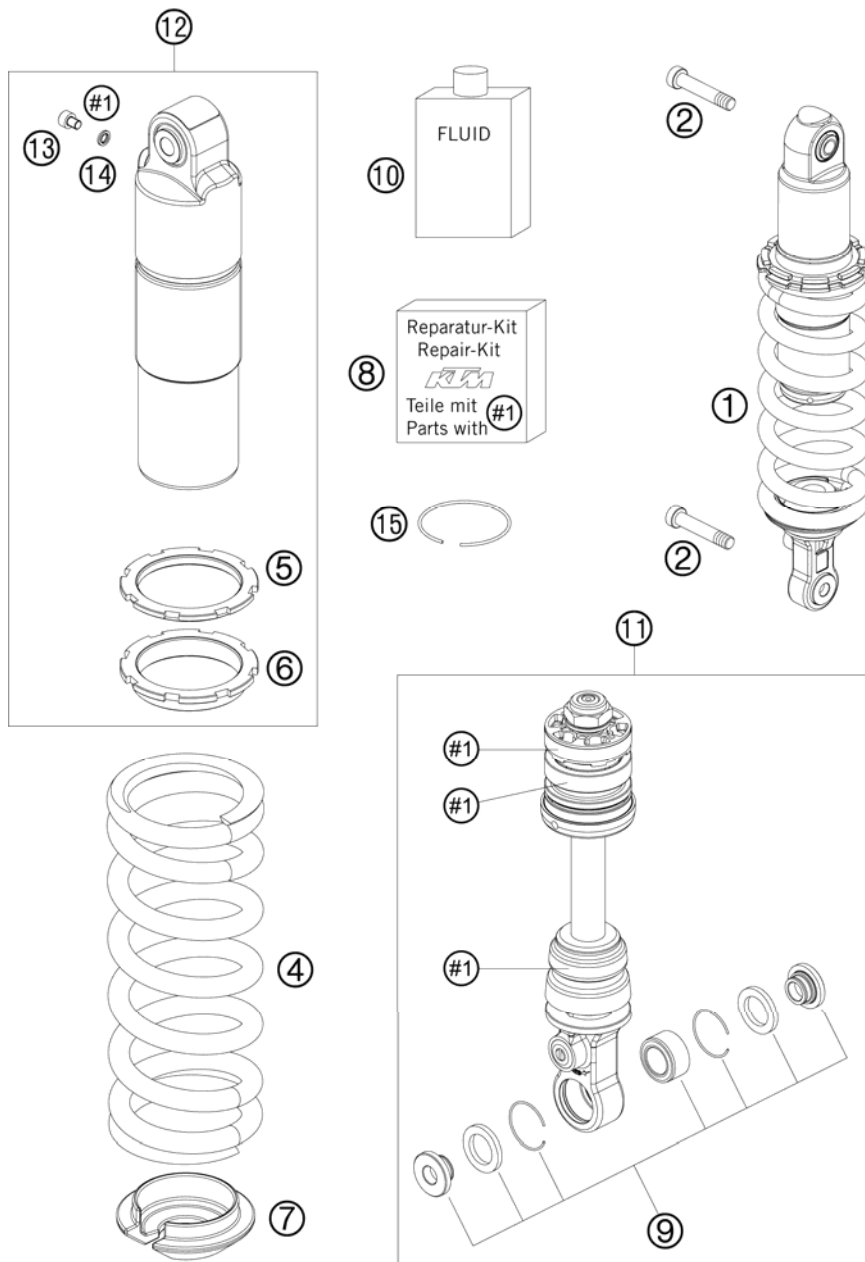


FIG	PART NUMBER	DESCRIPTION	QTY
1	15189E4701	MONOSHOCK 690 SM LV	1
2	75004016000	SCREW M 10 L=53MM 07	2
4	91110006S	SPRING 220 60 N/MM (61)	x
4	91110007S	SPRING 220 70 N/MM (61)	x
4	91110009S	SPRING 220 65 N/MM (61)	1
5	46180445	COUNTERNUT	1
6	46180444	ADJUSTING NUT	1
7	46180396	SPRING RETAINER H=15 D=28	1
8	R15005	REPAIR KIT GASKET 07	1
9	R15006	REPAIR KIT BEARINGS 07	1
10	50180342S1	SHOCK ABSORBER FLUID 5 LT '03	1
11	46180520SA1	MONOSHOCK LOWER PART CPL. 2010	1
12	46180635S	MONOSHOCK CASE TOP 07	1
13	36120785	SCREW M5 C.K. RVS	1
14	36120782	SEAL D5,21XD8,38X1,22	1
15	46810010	CIRCLIP 49X1,5	1

087500410 / C097500410

* NEW PART

X AS REQUIRED

SWING ARM

690 SUPERMOTO LIM.ED EU 2009

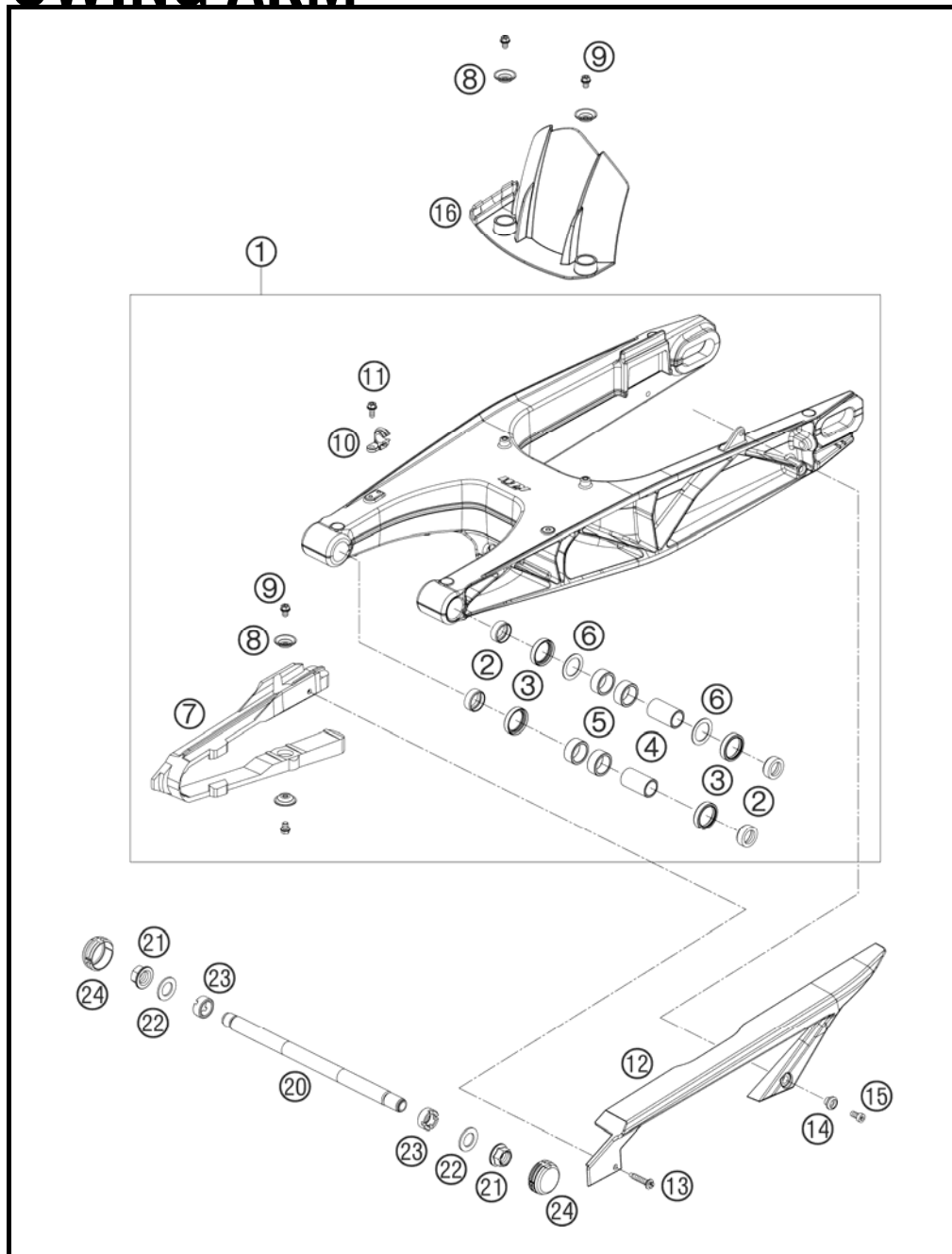


FIG	PART NUMBER	DESCRIPTION	QTY
1	7500403004433	SWING SM CPL. 07	1
2	54804034000	BUCKET F. SHAFT SEAL RING 03	4
3	0760253270	SHAFT SEAL RING 25X32X7	4
4	59404032000	BEARING SLEEVE 17X22X38,7 03	2
5	59004031200	NEEDLE BUSH HK2212V	4
6	54603036000	STOP DISK 22,2X31,7X1	2
7	75004066000	CHAIN SLIDING PROTECTION 07	1
8	72210079000	BUCKET	4
9	0025060086	HH COLLAR SCREW M6X8 TX30	4
10	5461107610030	RET. CLAMP F. BRAKE HOSE BLACK	1
11	0009050103	SPECIAL SCREW M 5,0X10	1
12	75004060000	CHAIN GUARD	1
13	0017060303	SPECIAL SCREW T60 6X30 WS=6	1
14	75001094010	BUSHING MUD FLAP 07	1
15	0012060123	AH SCREW DIN6912 M6X12	1
16	75004050000	MUD FLAP 07	1
20	75004037000	SWING ARM BOLT L=272MM 07	1
21	54804038000	SELF LOCK.NUT M16X1,5 WS=19 03	2
22	75004042000	WASHER 07	2
23	75004046000	ADJUSTING RING M24X1,5 07	2
24	75003088000	PLASTIC CAP 07	2

087500490 / C097500490

* NEW PART

X AS REQUIRED

EXHAUST SYSTEM

690 SUPERMOTO LIM.ED EU 2009

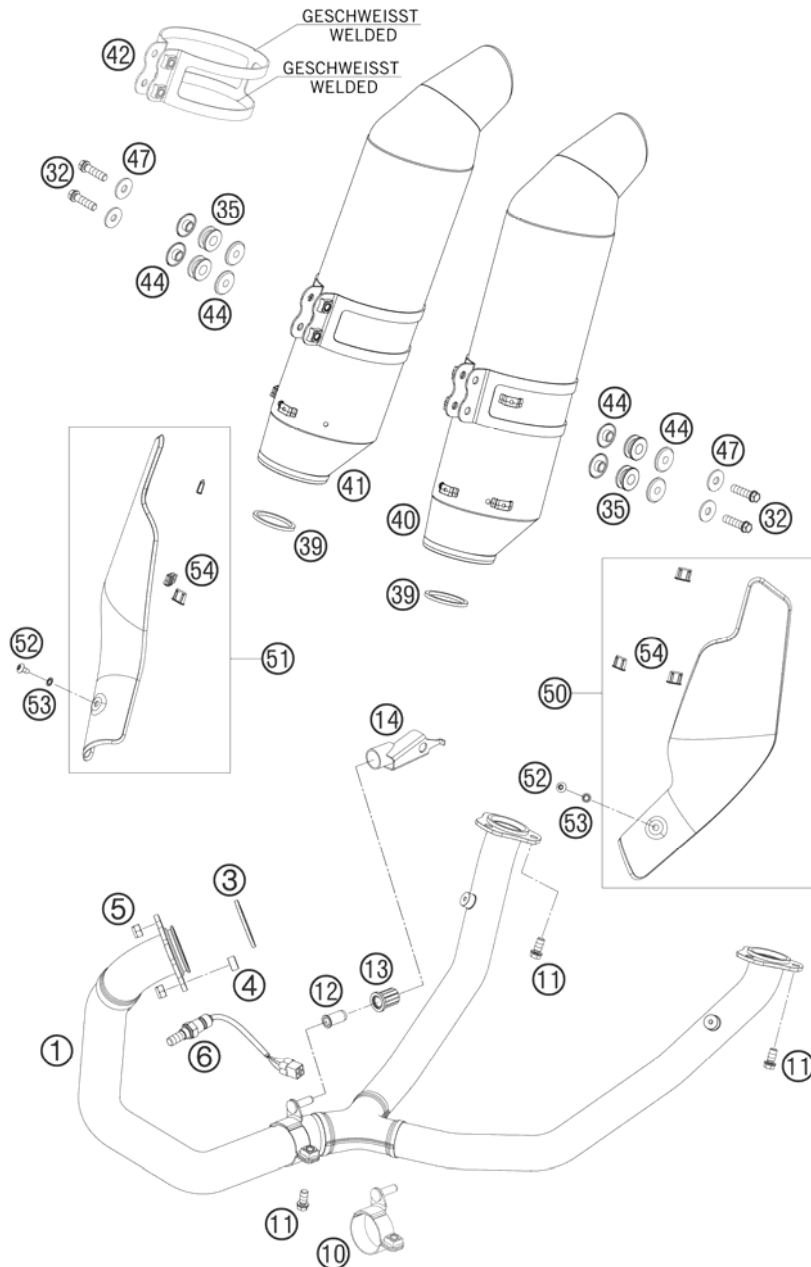


FIG	PART NUMBER	DESCRIPTION	QTY
1	75005007000	EXHAUST MANIFOLD 07	1
3	61005005000	EXHAUST GASKET 05	1
4	61005009000	SPACER BUSH. 8,5X15X7,5 05	1
5	51010086100	SELF LOCKING NUT M 8 CU	2
6	75041090000	LAMBDA SENSOR 07	1
10	75005007020	BRACKET CPL. 07	1
11	0025080166	HH COLLAR SCREW M8X16 TX40	7
12	61005014000	SLEEVE SILENCER SUPPORT 05	1
13	61005013000	RUBBER SILENCER SUPPORT 05	1
14	75005014100	BRACKET FOR MANIFOLD 08	1
32	0025080306	HH COLLAR SCREW M8X30 TX40	4
35	54605068000	EXHAUST BRACKET RUBBER BLACK	4
39	60005005002	EXHAUST GASKET 03	2
40	75005083100	SILENCER L/S LC-4 07	1
41	75005083000	SILENCER R/S LC-4 07	1
42	75005095000	CLAMP MAIN SILENCER CPL. 07	2
44	54605069100	BUSHING 8MM F. EXHAUST SUPPORT	8
47	0021080003	WASHER DIN9021-A 8,4	4
50	75005111000	THERMAL SHIELD L/S 07	1
51	75005011000	THERMAL SHIELD R/S 07	1
52	58605083010	SCREW TORX M5X10 05	2
53	0797050000	TOOTH LOCK WASHER DIN6797-J	2
54	61005091000	DAMP. COMPON. SILICONE GREY 05	3

087500510 / C097500510

* NEW PART

X AS REQUIRED

AIR FILTER

690 SUPERMOTO LIM.ED EU 2009

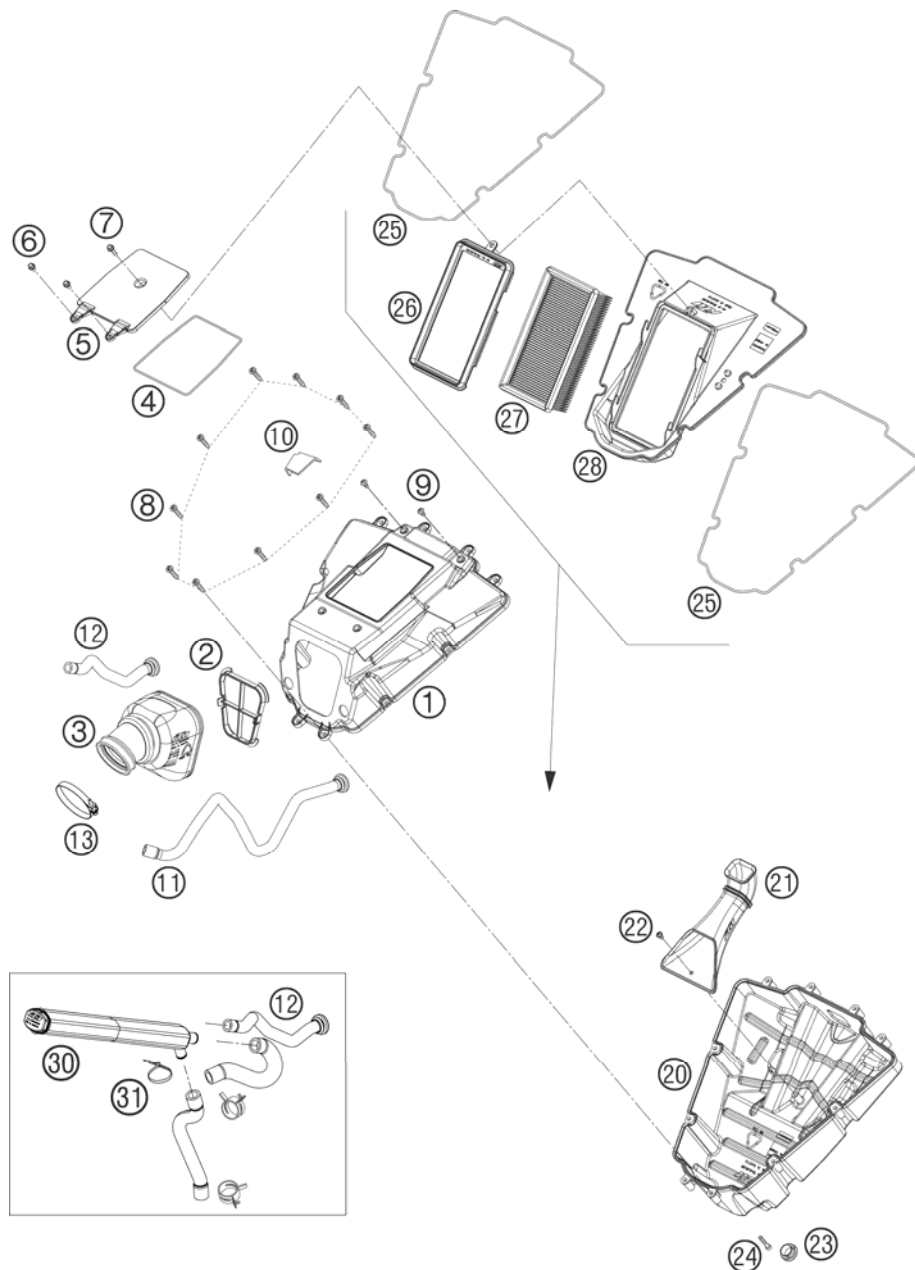


FIG	PART NUMBER	DESCRIPTION	QTY
1	75006001010	AIRBOX UPPER-PART	1
2	75006001040	AIRBOX SUPPORT	1
3	75006026000	INTAKE TRUMPET	1
4	75006091000	GASKET FILTER BOX COVER 07	1
5	75006002000	FILTER BOX COVER 07	1
6	0025050106	COLLAR SCREW M5X12 ISA30	2
7	0025050206	HH COLLAR SCREW M5X20 TX30	1
8	0017060303	SPECIAL SCREW T60 6X30 WS=6	10
9	58605083010	SCREW TORX M5X10 05	2
10	75006001015	METAMOL FOR AIR FILTER BOX 07	1
11	75005032000	HOSE SLS AIRFILTERBOX 07	1
12	75030088000	HOSE OIL SEPARATOR - BREATH.07	1
13	51006027000	HOSE CLAMP 50-70MM	1
20	75006001020	AIRBOX LOWER-PART 07	1
21	75006040000	INTAKE SNORKEL 07	1
22	0016050121	SCREW FOR PLASTIC 50X12	1
23	61003088000	PLUG SFL28 05	1
24	0912050303	AH SCREW DIN0912-M 5X30	1
25	75006090000	GASKET FILTER BOX 07	2
26	75006001050	FILTER FRAME 07	1
27	75006015000	AIRFILTER	1
28	75006001030	AIRBOX MIDDLE-PART 07	1
30	75030087000	OIL SEPARATOR FOAM 07	1
31	44011076200	CABLE TIE 200/3,6MM BLACK	3

087500610 / C097500610

* NEW PART

X AS REQUIRED

TANK, SEAT, COVER

690 SUPERMOTO LIM.ED EU 2009

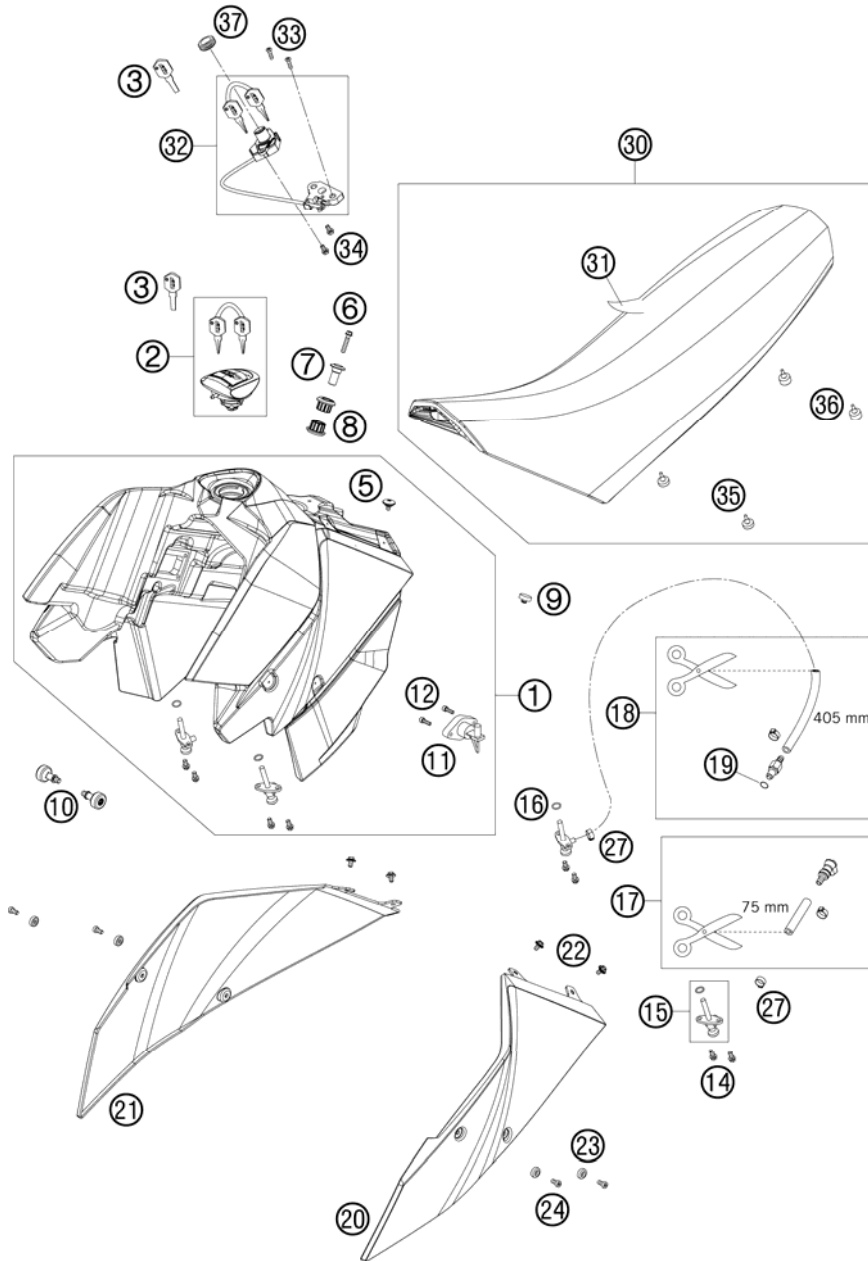


FIG	PART NUMBER	DESCRIPTION	QTY
1	7500701304433A	FUEL TANK BLACK CPL. 07	1
2	58407008200	TANK PLUG 06	1
3	40011166100	KEY BLANK LC4/DUKE/LC8	1
5	58407011100	SCREW FOR SEAT M6X11,5/8	1
6	0912080303	AH SCREW DIN0912-M 8X30	1
7	60007060000	BEARING BUSHING OUTSIDE 03	1
8	60007065000	TANK RUBBER BUSHING 03	2
9	54308042000	RUBBER BUFFER	1
10	62507026100	SPECIAL SCREW M8 06	2
11	58207080100	GAS-LEVEL SENSOR ADV. 2006	1
12	0912050163	AH SCREW DIN0912-M 5X16	2
14	0025060126	HH COLLAR SCREW M6X12 TX30	4
15	58507003000	FUEL COCK CPL. SMALL RALLYE'96	2
16	0770020130	O-RING 1,78x10,82x14,38 2-013	2
17	75007116060	FUEL HOSE WITH CLUTCH	1
18	75007016050	FUEL HOSE WITH CLUTCH	1
19	58507012000	O-RING VITON F. PLUG CPC 05	1
20	7500805000030	SPOILER L/S BLACK 07	1
21	7500805100030	SPOILER R/S BLACK 07	1
22	0024060106	HH COLLAR SCREW M6X10 TX30	4
23	60008045000	SPECIAL WASHER D=16,5MM 03	4
24	0012060123	AH SCREW DIN6912 M6X12	4
27	00050142706	VARIABLE ONE-EAR CLAMP 14,2 MM	2
30	75007040000	SEAT BLACK 07	1
31	75007040050	SEAT COVER 07	1
32	62507050000	SEAT LOCK 05	1
33	0966050203	OVAL HEAD SCREW DIN0966-M 5X20	2
34	0025050126	HH COLLAR SCREW M5X12 TX30	2
35	75007046020	SEAT RUBBER 6 MM	2
36	75007046010	SEAT RUBBER 10 MM	2
37	58707050050	RUBBER SLEEVE F.SEAT LOCK '99	1

097500710 / C097500710

* NEW PART

X AS REQUIRED

FUEL PUMP

690 SUPERMOTO LIM.ED EU 2009

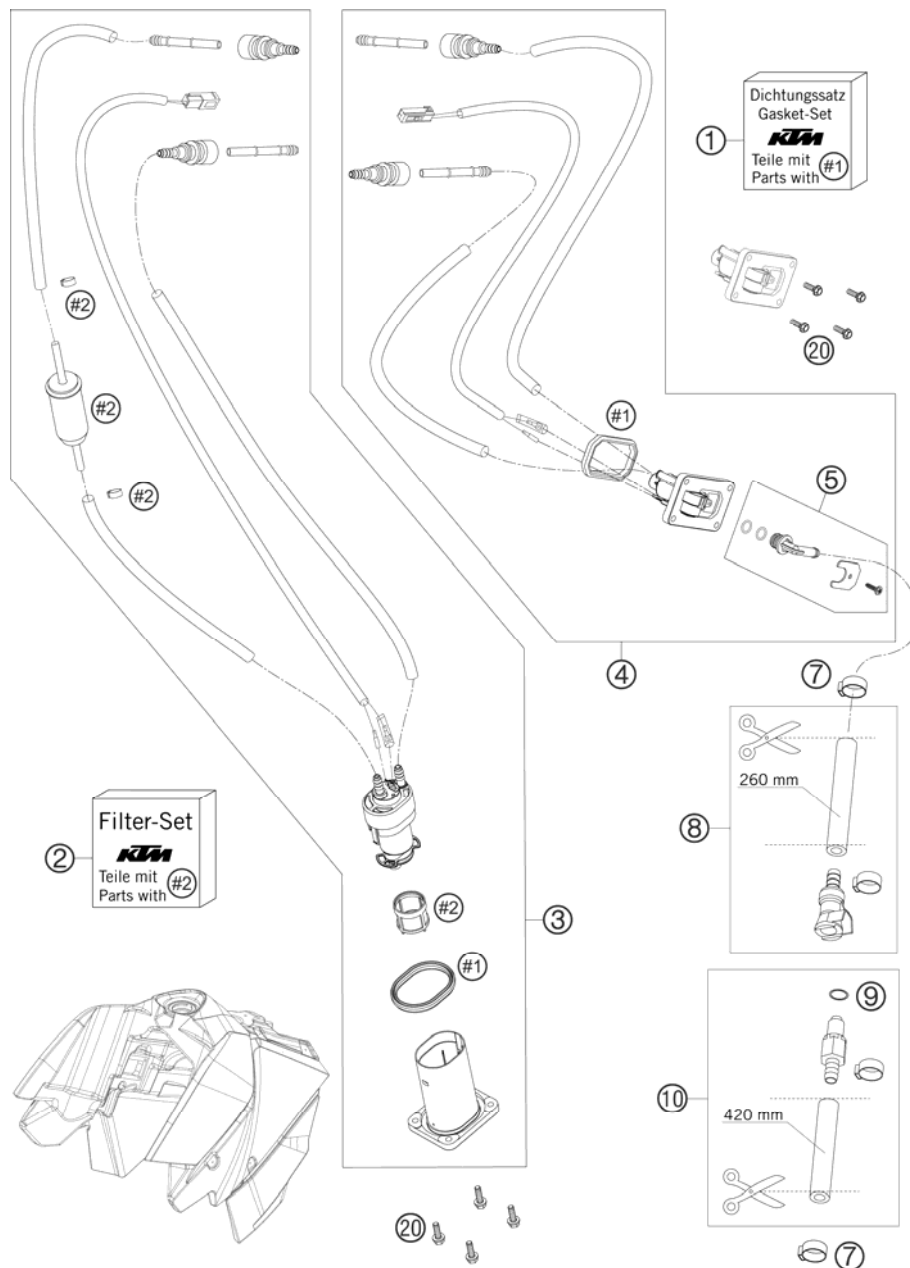


FIG	PART NUMBER	DESCRIPTION	QTY
1	75007089000	SEALINGS KIT	1
2	75007090000	FILTER KIT	1
3	75007088011	FUEL PUMP WITH FLANGE CPL.	1
4	75007088012	PRESSURE REGULATOR CPL. 07	1
5	75007092000	HYDRAULIC CONNECTOR CPL.	1
7	00050153706	VARIABLE ONE-EAR CLAMP 15,3MM	4
8	75007116060	FUEL HOSE WITH CLUTCH	1
9	58507012000	O-RING VITON F. PLUG CPC 05	1
10	75007016050	FUEL HOSE WITH CLUTCH	1
20	0025050166	HH COLLAR SCREW M5X16 TX30	8

087500730 / C097500730

* NEW PART

X AS REQUIRED

MASK, FENDERS

690 SUPERMOTO LIM.ED EU 2009

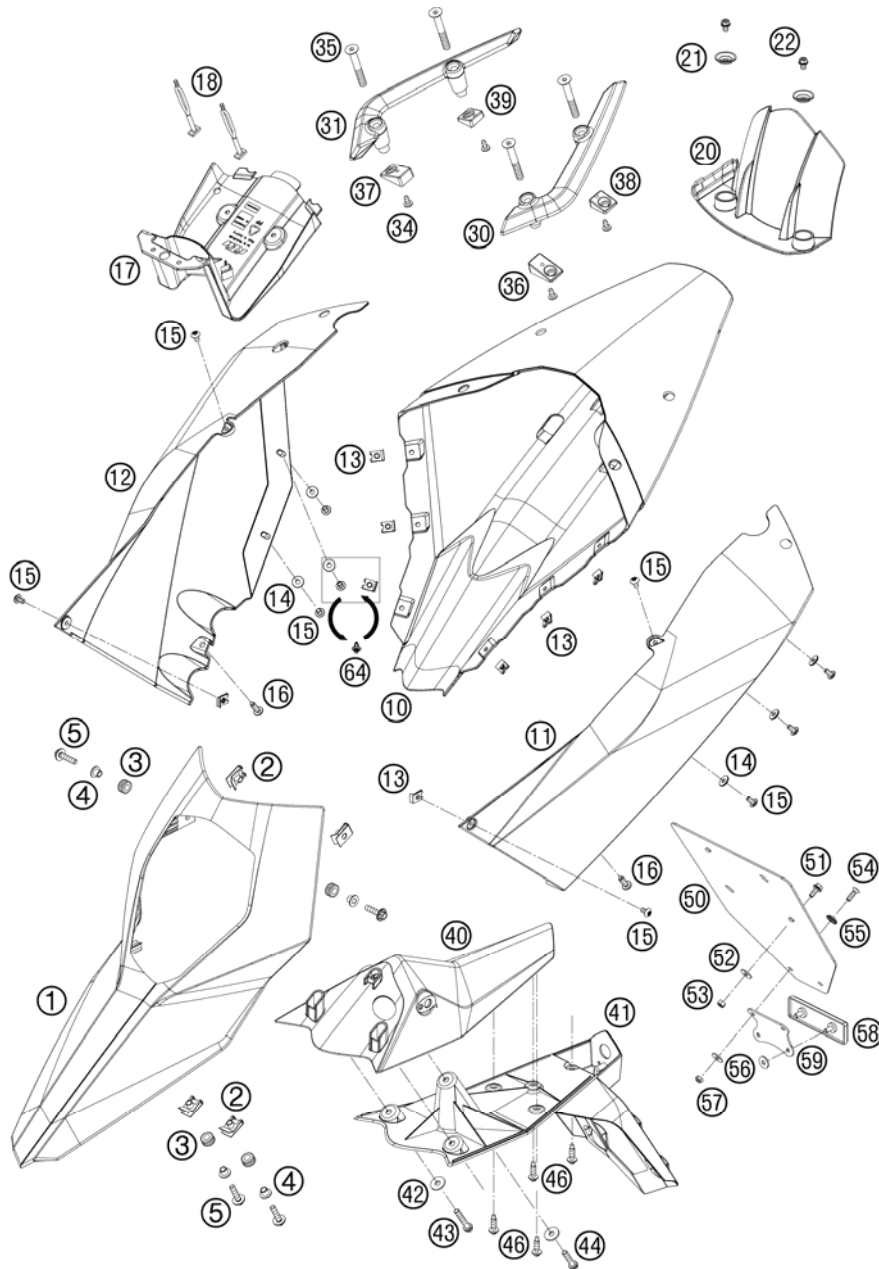


FIG	PART NUMBER	DESCRIPTION	QTY
1	7500800100030	HEAD LIGHT MASK BLACK 07	1
2	54603048100	RANGE CHANGE METAL NUT M6	4
3	31008060000	RUBBER SLEEVE D=8MM OPEN	4
4	75014010050	COLLAR BUSHING 6,1X8,1X14X8 07	4
5	0024060206	HH COLLAR SCREW M6X20 TX30	4
10	7500801300033	REAR FENDER BLACK MATT 07	1
11	7500804100030	SIDE COVER L/S BLACK 07	1
12	7500804200030	SIDE COVER R/S BLACK 07	1
13	54603048200	RANGE CHANGE METAL NUT M5	8
14	75008023000	WASHER REAR-UT D=14MM	6
15	58605083014	SCREW M5X14 TORX 25 07	10
16	0017060203	EJOT PT SCREW K60X20 WS=6	2
17	75003075000	STORAGE COMPARTMENT	1
18	50303018000	RUBBER L=145MM	2
20	75004050000	MUD FLAP 07	1
21	72210079000	BUCKET	2
22	0025060086	HH COLLAR SCREW M6X8 TX30	2
30	75012008000	HAND GRIP L/S 07	1
31	75012009000	HAND GRIP R/S 07	1
34	0081050121	SCREW FOR PLASTIC K50X12 T20	4
35	0991080603	FLAT HEAD SCREW ISO10642 M8X60	4
36	75003065000	SPACER SUB FRAME FRONT L/S	1
37	75003066000	SPACER SUB FRAME FRONT R/S	1
38	75003067000	SPACER SUB FRAME REAR L/S	1
39	75003068000	SPACER SUB FRAME REAR R/S	1
40	75008015010	NUMBER PLATE CARRIER TOP 07	1
41	75008015000	NUMBER PLATE CARRIER 07	1
42	0021060003	WASHER DIN9021-A 6,4	3
43	0025060356	HH COLLAR SCREW M6X35 TX30	2
44	0025060206	HH COLLAR SCREW M6X20 TX30	1
46	0017060203	EJOT PT SCREW K60X20 WS=6	4
50	60012081200	LICENCE FITTING 06	1
51	0024060156	HH COLLAR SCREW M6X15 TX30	4
52	0021060003	WASHER DIN9021-A 6,4	4
53	0985060003	SELF LOCK. NUT DIN0985-M 6	4
54	0966050163	OVAL HEAD SCREW DIN0966-M 5X16	2

097500810 / C097500810

* NEW PART

X AS REQUIRED

MASK, FENDERS

690 SUPERMOTO LIM.ED EU 2009

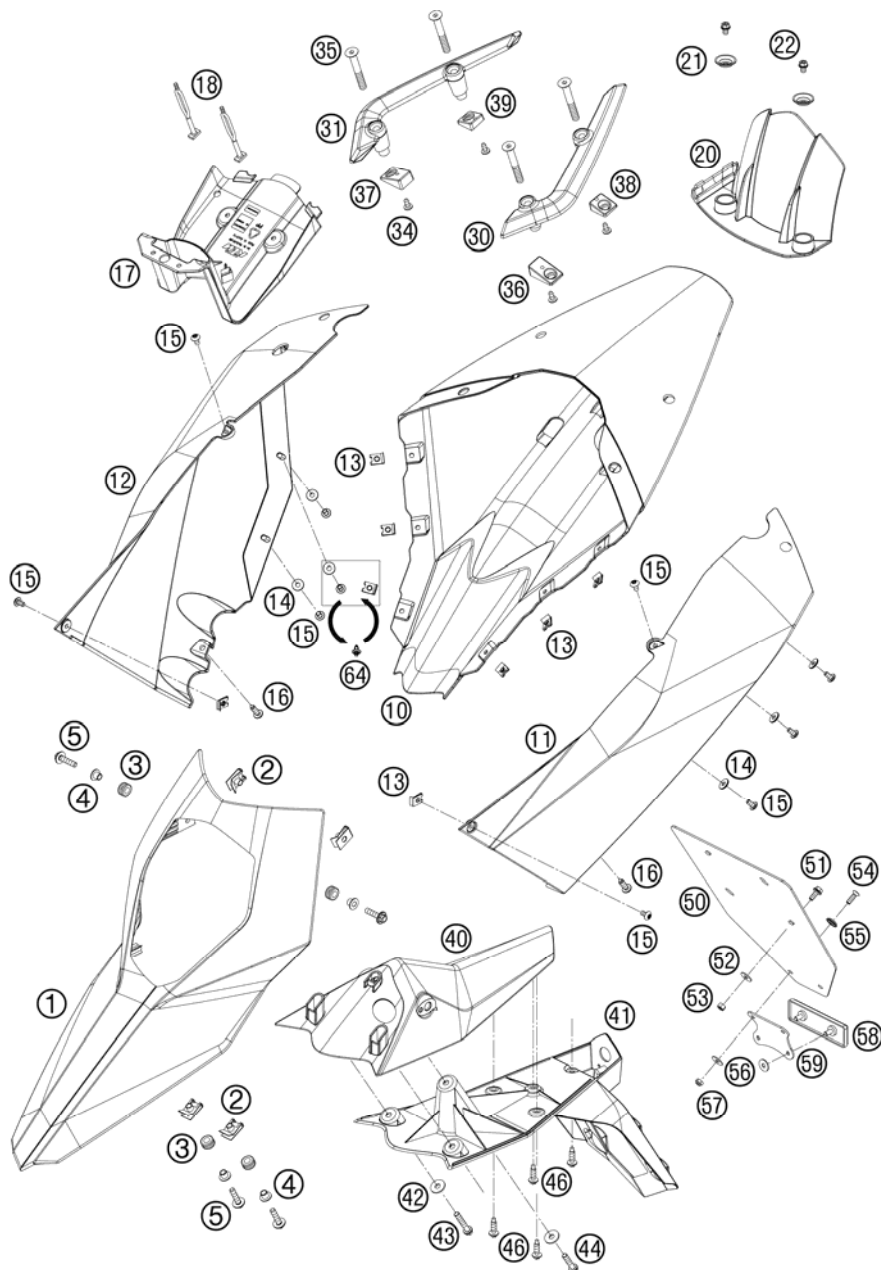


FIG	PART NUMBER	DESCRIPTION	QTY
55	40006006000	WASHER 6MM	2
56	0125050003	WASHER DIN0125-A 5,3	4
57	0985050003	SELF LOCKING NUT DIN0985-M 5	2
58	58412080000	REFLECTOR RED LC4 '98	1
59	58412080050	BRACKET FOR REFLECTOR	1
64	76503075000	SPREAD RIVET CPL. 6,2MM	x

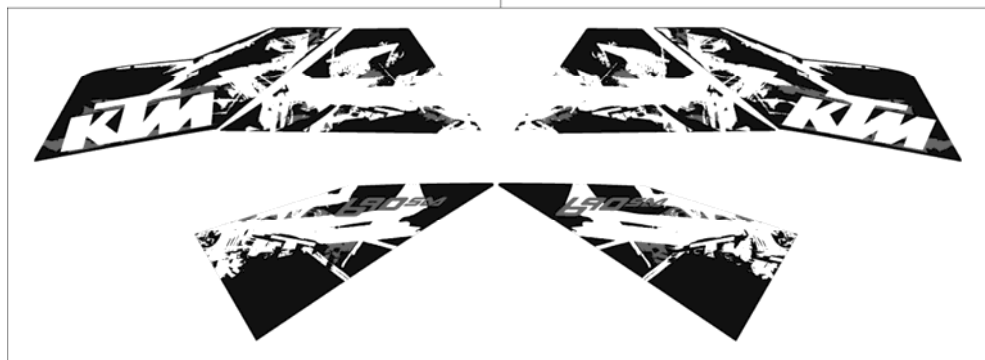
097500810 / C097500810

* NEW PART

X AS REQUIRED

FIG	PART NUMBER	DESCRIPTION	QTY
1	75008099300	DECAL SET 690 SM LV 2009	1

①



097500830 / C097500830

* NEW PART

X AS REQUIRED

FRONT WHEEL

690 SUPERMOTO LIM.ED EU 2009

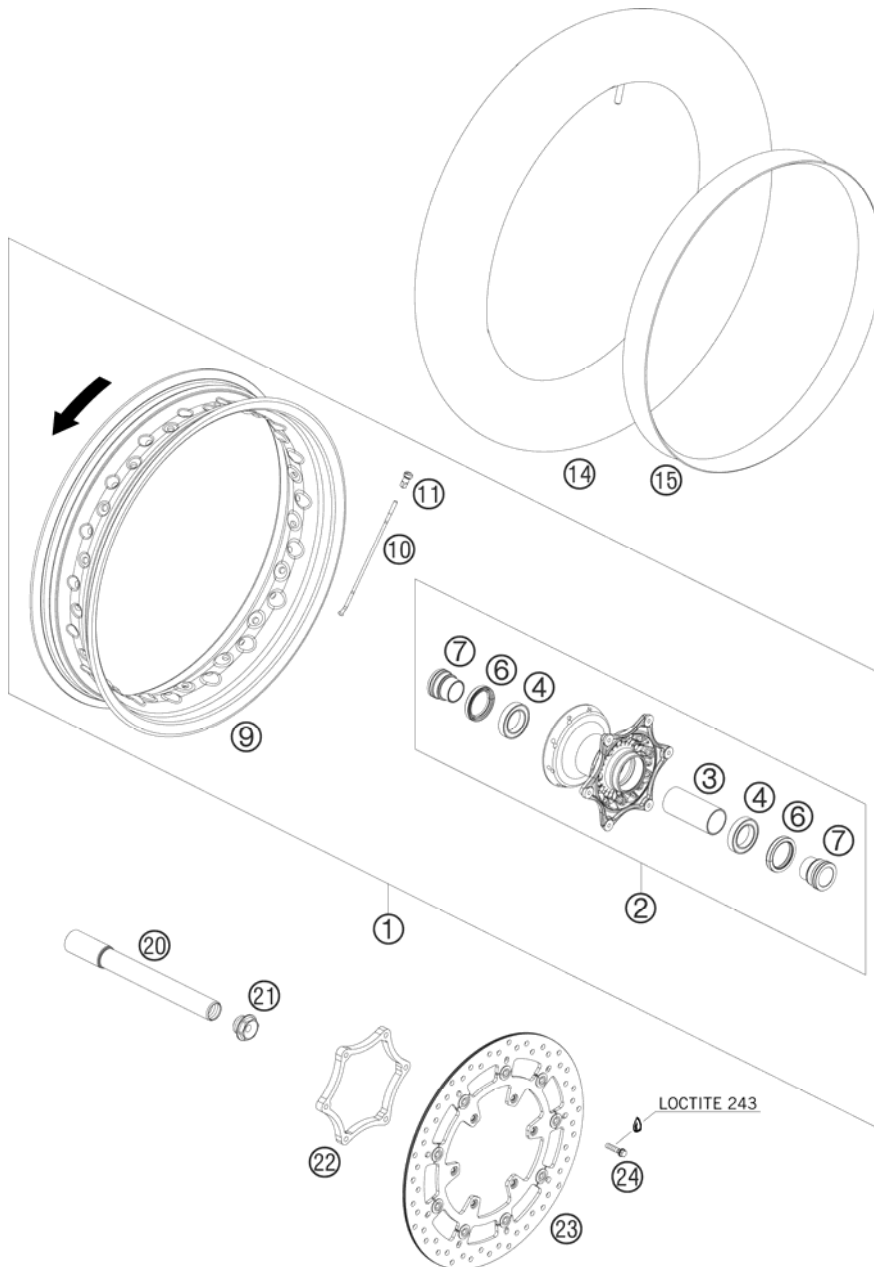


FIG	PART NUMBER	DESCRIPTION	QTY
1	7500900104430	FRONT WHEEL CPL. 3,5X17" 07	1
2	75009010044	FRONT HUB CPL. 07	1
3	54809011000	BEA.SPACERTUBE 35X2 L=79,4 03	1
4	0625069068	GR.BALL BEAR.6906 DDU2CG23S6NM	2
6	0760354771	SHAFT SEAL RING 35X47X7 TC	2
7	75009012000	SPACER BUSHING FRONT WHEEL 07	2
9	7500907000030	RIM FRONT 3,5X17" BLACK 07	1
10	75009073172	SPOKE M4,5X172-15G 17" INOX	36
11	50309072100	SPOKE NIPPLE M4,5X0,75 8X21	36
14	58309075000	HOSE 3,5X17"	1
15	58309073000	RIM BAND 17"	1
20	75009081000	WHEEL SPINDLE FRONT D=26MM 07	1
21	54809082000	SPINDLE SCREW M24X1,5 WS=27 03	1
22	75009061000	BRAKE DISC ADAPTOR 07	1
23	75009060000	BRAKE DISC FRONT 320MM 07	1
24	59009062023	SPECIAL SCREW M6X23 WS=8 10.9	6

087500910 / C097500910

* NEW PART

X AS REQUIRED

REAR WHEEL

690 SUPERMOTO LIM.ED EU 2009

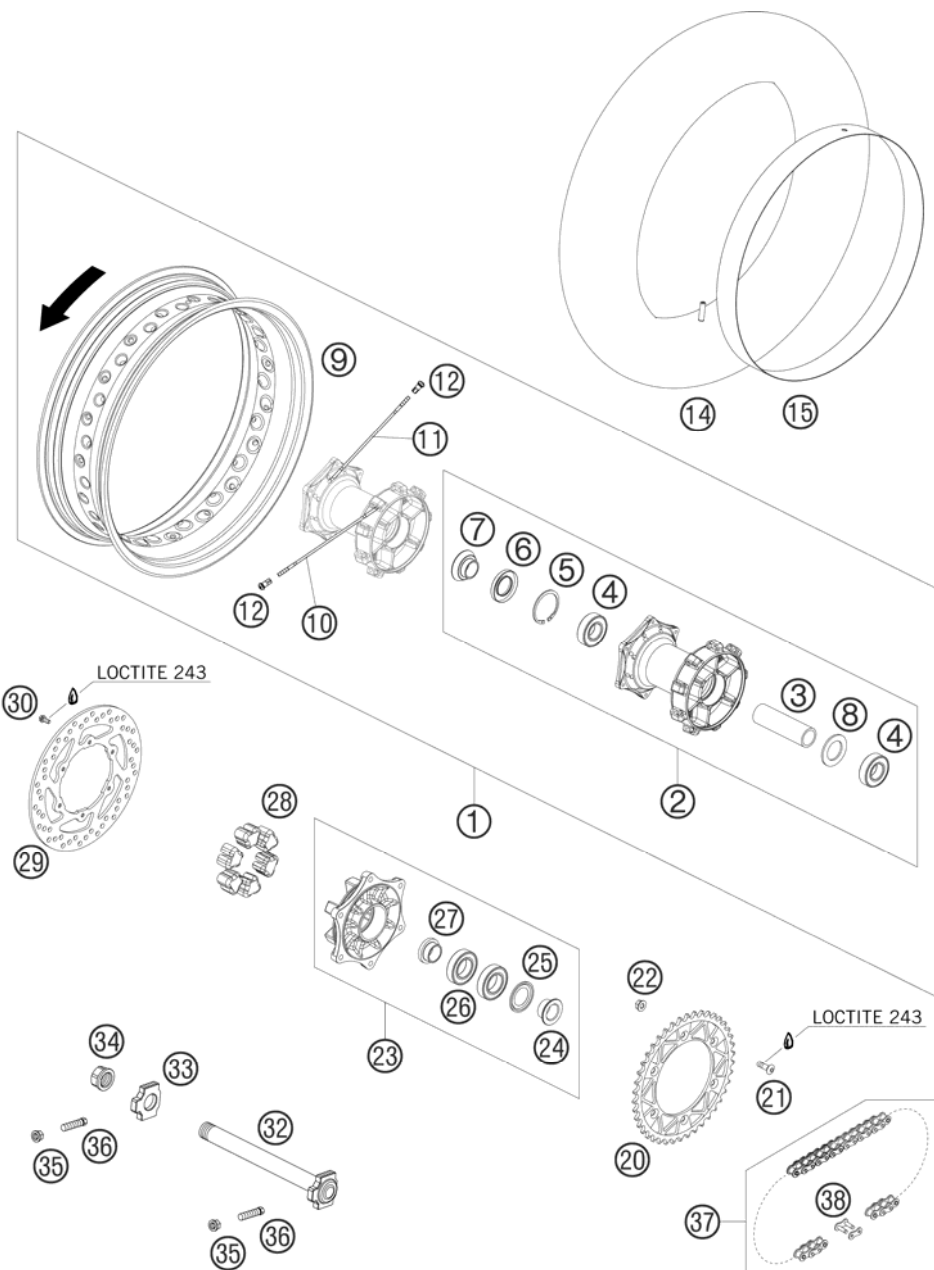


FIG	PART NUMBER	DESCRIPTION	QTY
1	7501020104430	REAR WHEEL CPL. 5X17" 07	1
2	75310010044	REAR HUB CPL. 07	1
3	75310011000	BEARING SPACER TUBE L=106MM 07	1
4	0625062052	GR.BALL BEAR. 6205-2RSHC3HMTF7	2
5	0472052200	CIRCLIP DIN0472-52X2	1
6	0760305271	SHAFT SEAL RING 30X52X7	1
7	60110013000	SPACER BUSH. REAR WHEEL R/S 06	1
8	60010015000	SPACER RING 03	1
9	7501027000030	RIM 5X17" BLACK 07	1
10	75010073199	SPOKE M5X199-16G 17" INOX	18
11	75010173188	SPOKE M5X188-27G 17" INOX	18
12	58309072100	SPOKE NIPPLE M5-TA 8X21MM	36
14	58410075000	TUBE 17"	1
15	58309073000	RIM BAND 17"	1
20	75010051040	SPROCKET STEALTH 40T 07	x
20	75010051042	SPROCKET STEALTH 42T 07	x
21	0019080266S	COUNTER-SUNK SCREW ISA45 M8X26	6
22	54310086200	SELF LOCKING NUT M8 10.9	6
23	75010050044	SPROCKET SUPPORT CPL. 07	1
24	60110012000	SPACER BUSH. SPROCKET SUPP. 06	1
25	60110016000	NILOS RING 6006AV	1
26	0625060060	BALL BEARING 6006 DDU2CG23S6NM	2
27	60110014000	SPACER BUSH. SPR. SUPP. IN. 06	1
28	54610459000	RUBBER DAMPING BLOCK '91	6
29	60010060000	REAR BRAKE DISK D=240MM 03	1
30	59009062013	SPECIAL SCREW M6X13 WS=8 10.9	6
32	75010085044	WHEEL SPINDLE REAR L=279MM 07	1
33	60010084000	CHAIN TENSIONER R/S LC8 03	1
34	60010086000	COLLAR NUT WH. SPINDLE REAR 03	1
35	58414030000	HH COLLAR NUT M10X1,25 WS=13	2
36	50304040100	SCREW M10X1,25X50 WS=10	2
37	76510065116	CHAIN X-RING 116 + RIVET LINK	1
38	76510066000	RIVET LINK FOR 76510065116	1

087501010 / C097501010

* NEW PART

X AS REQUIRED

WIRING HARNESS

690 SUPERMOTO LIM.ED EU 2009

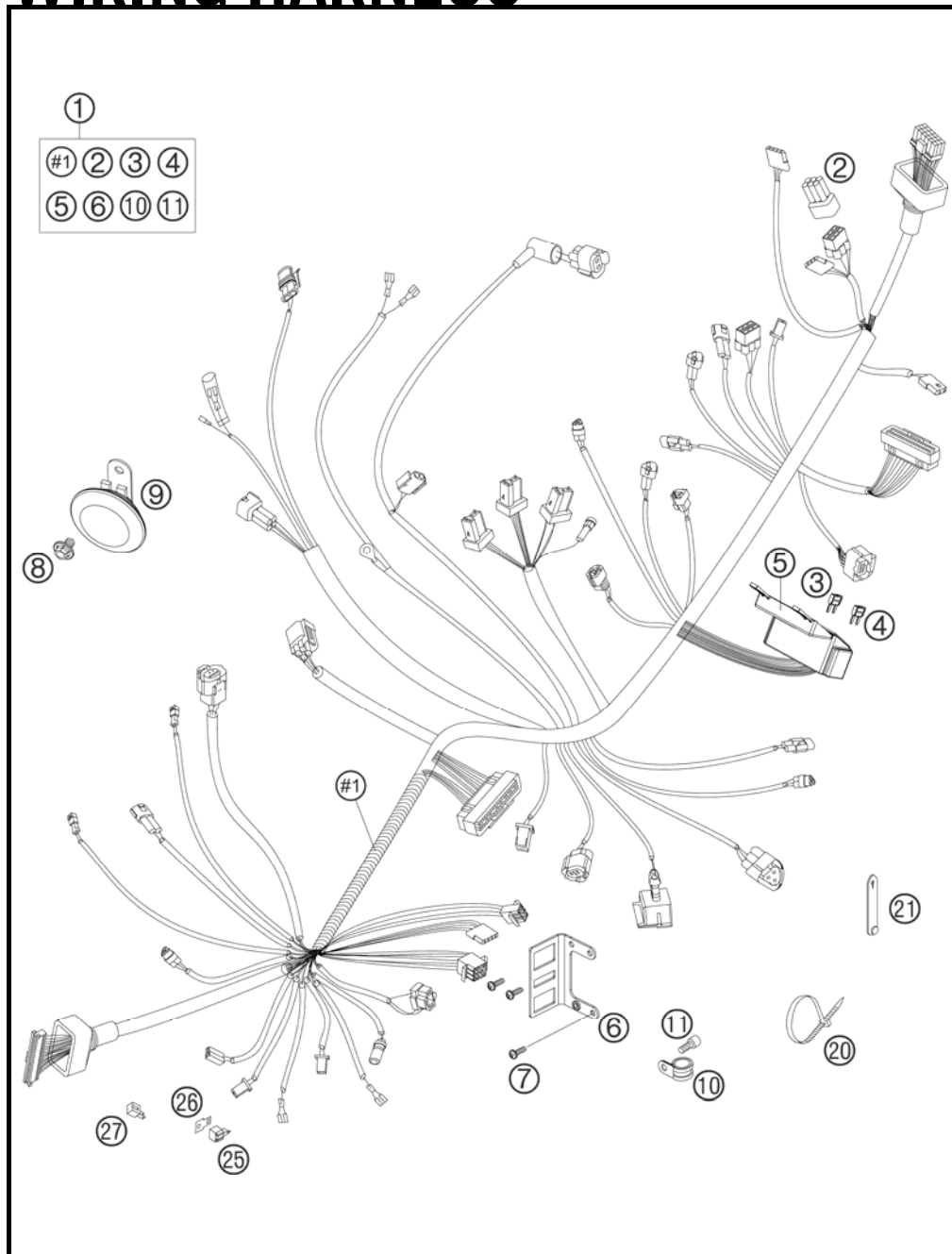


FIG	PART NUMBER	DESCRIPTION	QTY
1	75011075000	WIRING HARNESS 07	1
2	000700000BH	SPARE CONNECTOR BH 6-PINS	1
3	75011088010	FUSE 10A 07	x
4	75011088015	FUSE 15A 07	x
5	75011087050	RUBBER CASING FOR FUSE BOX	1
6	75011083000	BRACKET FOR PLUGS 07	1
7	0081050121	SCREW FOR PLASTIC K50X12 T20	3
8	0024060106	HH COLLAR SCREW M6X10 TX30	1
9	62511060000	DC HORN 05	1
10	49007439000	CLAMP RSGU 15/12	1
11	0912050103	AH SCREW DIN0912-M 5X10	1
20	44011076100	CABLE TIE 100/2,5MM BLACK	x
20	44011076200	CABLE TIE 200/3,6MM BLACK	x
20	44011076305	CABLE TIE 300/4,8MM BLACK	x
21	60011093045	RUBBER CABLE TIE 45MM 03	x
21	60011093075	RUBBER CABLE TIE 75MM 03	x
25	44611207200	FLASHER UNIT 97	1
26	58211031100	BRACKET FOR FLASHER RELAISE	1
27	58411096100	DIODE S3H-15 97	1

087501110 / C097501110

* NEW PART

X AS REQUIRED

BATTERY

690 SUPERMOTO LIM.ED EU 2009

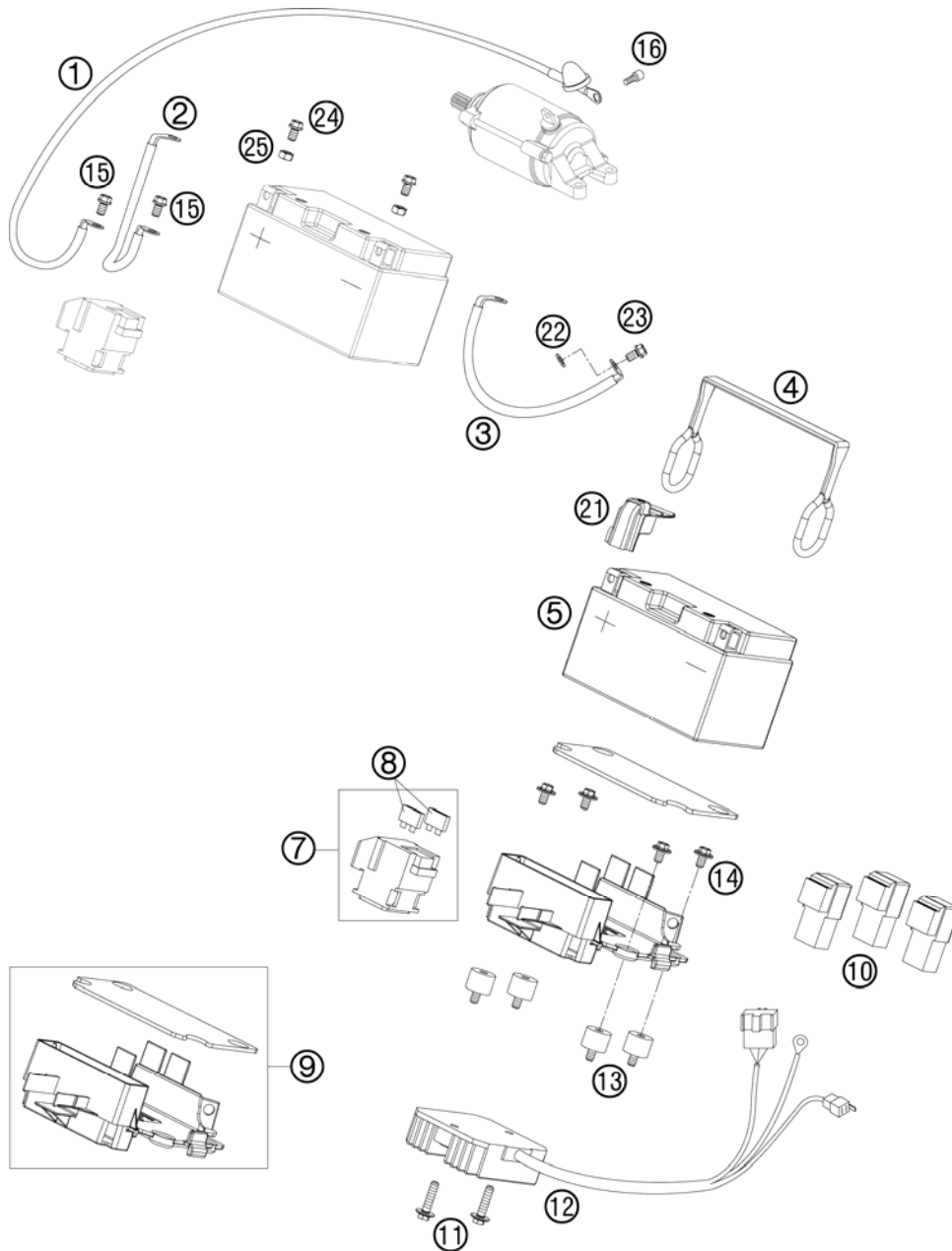


FIG	PART NUMBER	DESCRIPTION	QTY
1	75011059000	STARTER CABLE 07	1
2	75011059050	BATTERY CABLE 07	1
3	75011097000	GROUND CABLE 07	1
4	75011056000	BRACKET RUBBER FOR BATTERY 07	1
5	58411053100	BATTERY 12V 8,6AH 03	1
7	60011058000	STARTER RELAY 03	1
8	58011109130	FUSE 30 A	2
9	75011054033	BATTERY BRACKET CPL. 07	1
10	61111057000	RELAY CM1A-R-12V-H80 07	3
11	0024060273	COLLAR SCREW M6X27 TX	2
12	60011034100	VOLTAGE REGULATOR	1
13	43205062100	RUBBER GROMMET 20X15-M6X10 (1)	4
14	0024060106	HH COLLAR SCREW M6X10 TX30	4
15	0902060083	AH OVAL SCREW ISO 7380 M 6X8	2
16	0912050083	AH SCREW DIN 912 M 5X8	1
21	75011059060	POSITIVE POLE COVER 07	1
22	58411098100	CONTACT WASHER M6 VSV-K6	1
23	0025060166	HH COLLAR SCREW M6X16 TX30	1
24	0025060106	HH COLLAR SCREW M6X10 TX30	2
25	0934060003	HEXAGON NUT DIN0934-M 6	2

087501130 / C097501130

* NEW PART

X AS REQUIRED

BRAKE CALIPER REAR

690 SUPERMOTO LIM.ED EU 2009

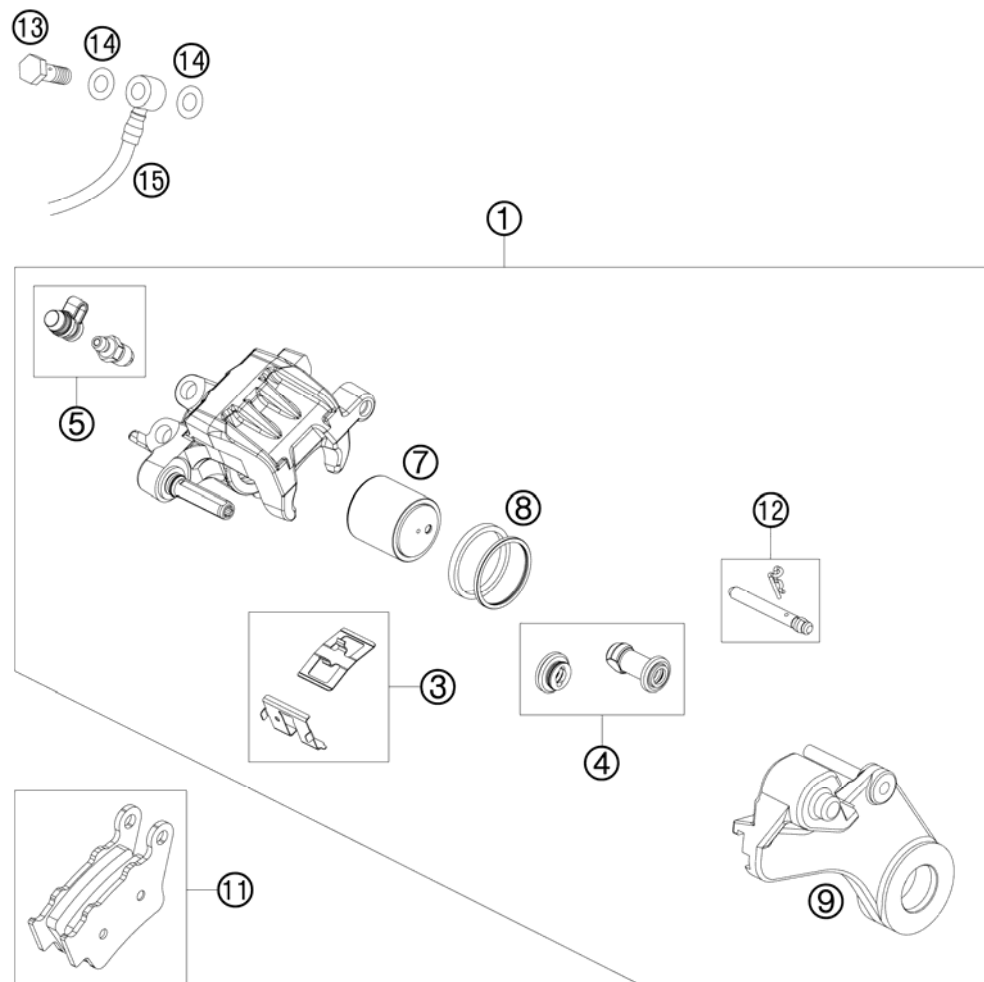


FIG	PART NUMBER	DESCRIPTION	QTY
1	7651308000101	BRAKE CALIPER - WITHOUT PADS	1
3	54613311200	RETAINING SPRING SET	1
4	54613218000	CUP SET SHORT	1
5	61013020200	BLEEDER SCREW WITH CAP	1
7	50313083000	BRAKE PISTON 32MM	1
8	50313081000	REPAIR KIT SEALING RINGS 32MM	1
9	76513075000	BRAKE CALIPER SUPPORT REAR 08	1
11	75013090000	BRAKE PAD SET REAR SBS-S-40GF	1
12	61013082000	BOLT SET 05	1
13	54813020100	HOLLOW SCREW BLACK M10X1X19	1
14	0603100141	COPPER GASKET DIN7603-10X14X1	2
15	75013072000	BRAKE HOSE REAR 2007	1

087501391 / C087501390

* NEW PART

X AS REQUIRED

HAND BRAKE CYLINDER

690 SUPERMOTO LIM.ED EU 2009

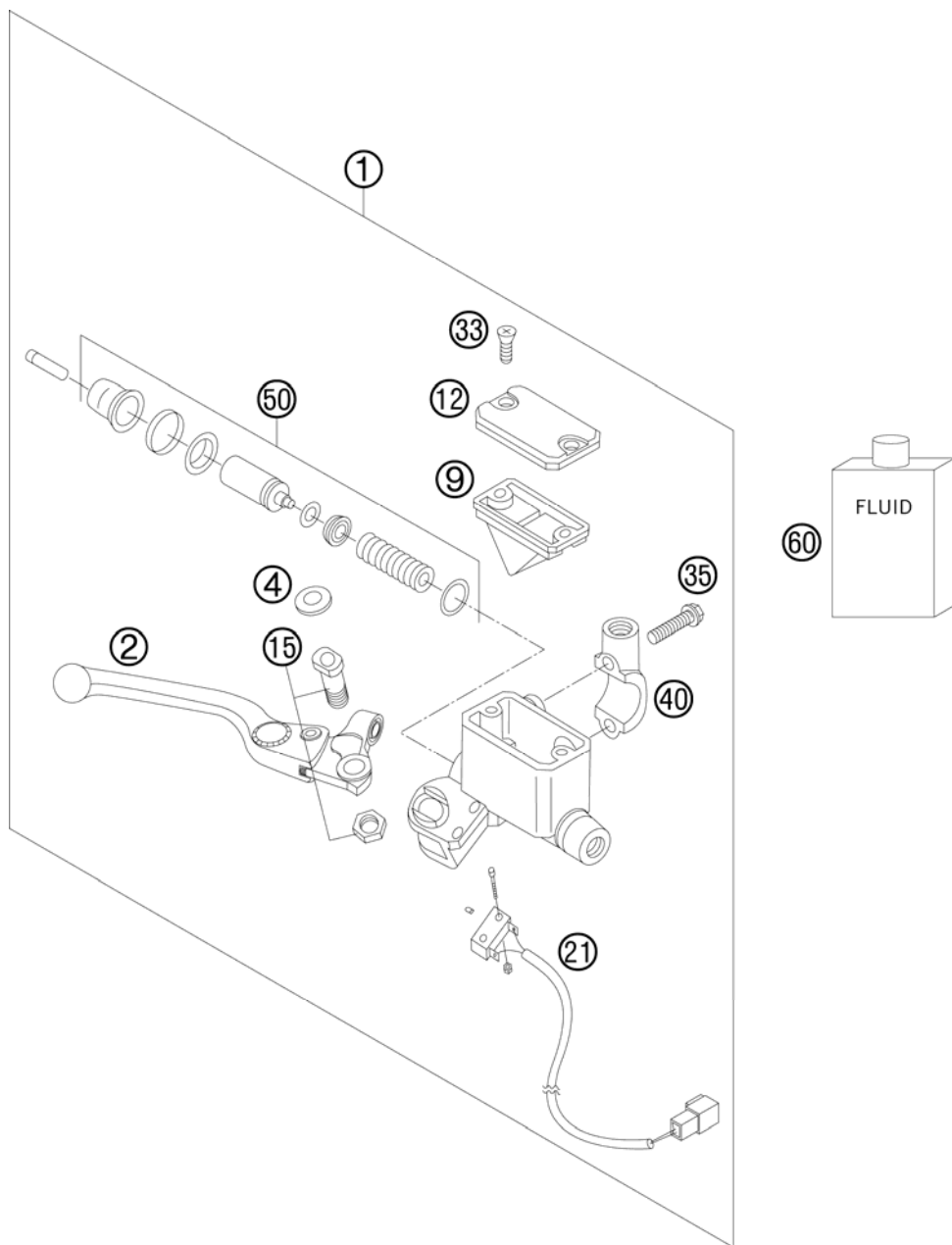


FIG	PART NUMBER	DESCRIPTION	QTY
1	58713001100	HANDBRAKE CYL.DUKE ADJUST.2003	1
2	58713002100	HAND BRAKE LEVER LOOSE ADJ. 03	1
4	58713004000	COVERING CAP FOR LEVER SCREW	1
9	58313009000	RUBBER BOOT DUKE	1
12	58313012000	COVER BREMBO DUKE '94	1
15	54413015000	LEVER SCREW CPL.	1
21	58411050000	BRAKE LIGHT SWITCH FRONT SM 03	1
33	0965050163	FLAT HEAD SCREW DIN0965-M 5X16	2
35	0025060206	HH COLLAR SCREW M6X20 TX30	2
40	58012040050	CLAMP MIRROW M10X1,25	1
50	58313050100	REPAIR KIT CPL. D=13MM	1
60	00062030000	BRAKE FLUID DOT5.1 0,25L	1

087501310 / C097501310

* NEW PART

X AS REQUIRED

REAR BRAKE CONTROL

690 SUPERMOTO LIM.ED EU 2009

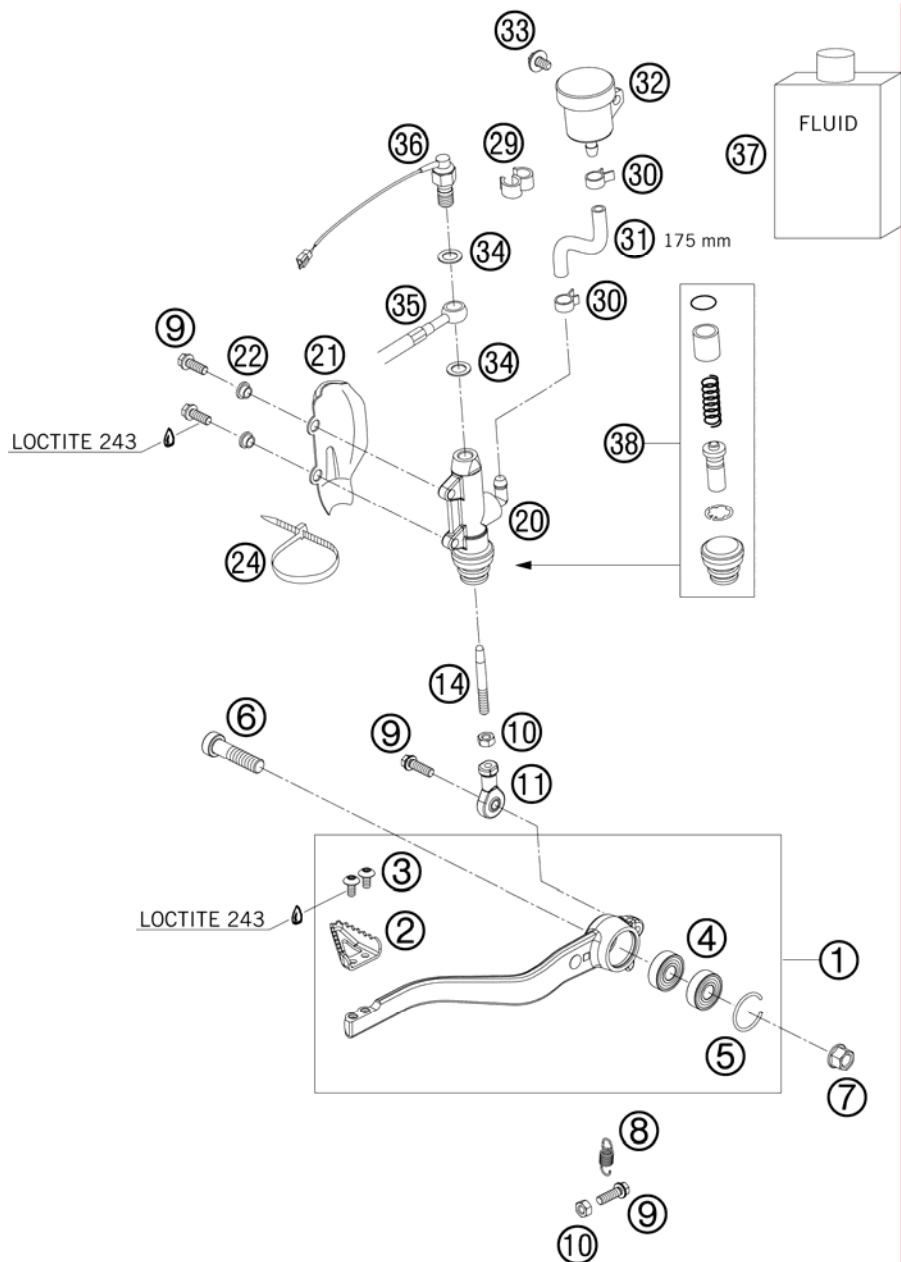


FIG	PART NUMBER	DESCRIPTION	QTY
1	7501305004401	FOOT BRAKE LEVER CPL. 07	1
2	60013051000	STEP PLATE FOOT BRAKE LEVER 03	1
3	58605083010	SCREW TORX M5X10 05	2
4	0625060002	BALL BEARING SKF 6000-2RS1	2
5	0993026500	LOCK RING DIN7993-B26	1
6	0912100406	AH SCREW DIN6912 M10X40 10.9	1
7	54630044000	COLLAR NUT M10 WS=13	1
8	61013052000	SPRING FOOT BRAKE LEVER 05	1
9	0025060206S	HH COLLAR SCREW M6X20 TX30	4
10	0934060003	HEXAGON NUT DIN0934-M 6	2
11	54603069000	SWIVEL HEAD M6 FOOT BRAKE LEV.	1
14	54603068000	PRESSURE ROD ALU 250 '90	1
20	54513101044	MAIN BRAKE CYLINDER '89	1
21	54513038000	BRAKE CYL. PROTECTOR "BREMBO"	1
22	50213161000	COLLAR BUSHING	2
24	44011076200	CABLE TIE 200/3,6MM BLACK	1
29	55011022100	CLAMP D=6/8MM, BLACK	1
30	58007017000	YDNAC CLAMP 10101 (9MM)	2
31	58007016101	HOSE FOR RESERVOIR 6X1,5	x
32	54513030044	BRAKE FLUID RESERVOIR '89	1
33	0024060106	HH COLLAR SCREW M6X10 TX30	1
34	0603100141	COPPER GASKET DIN7603-10X14X1	2
35	75013072000	BRAKE HOSE REAR 2007	1
36	50311051100	BRAKE LIGHT SWITCH REAR '98	1
37	00062030000	BRAKE FLUID DOT5.1 0,25L	1
38	54513150000	REPAIR KIT PISTON 13MM	1

087501330 / C097501330

* NEW PART

X AS REQUIRED

BRAKE CALIPER FRONT

690 SUPERMOTO LIM.ED EU 2009

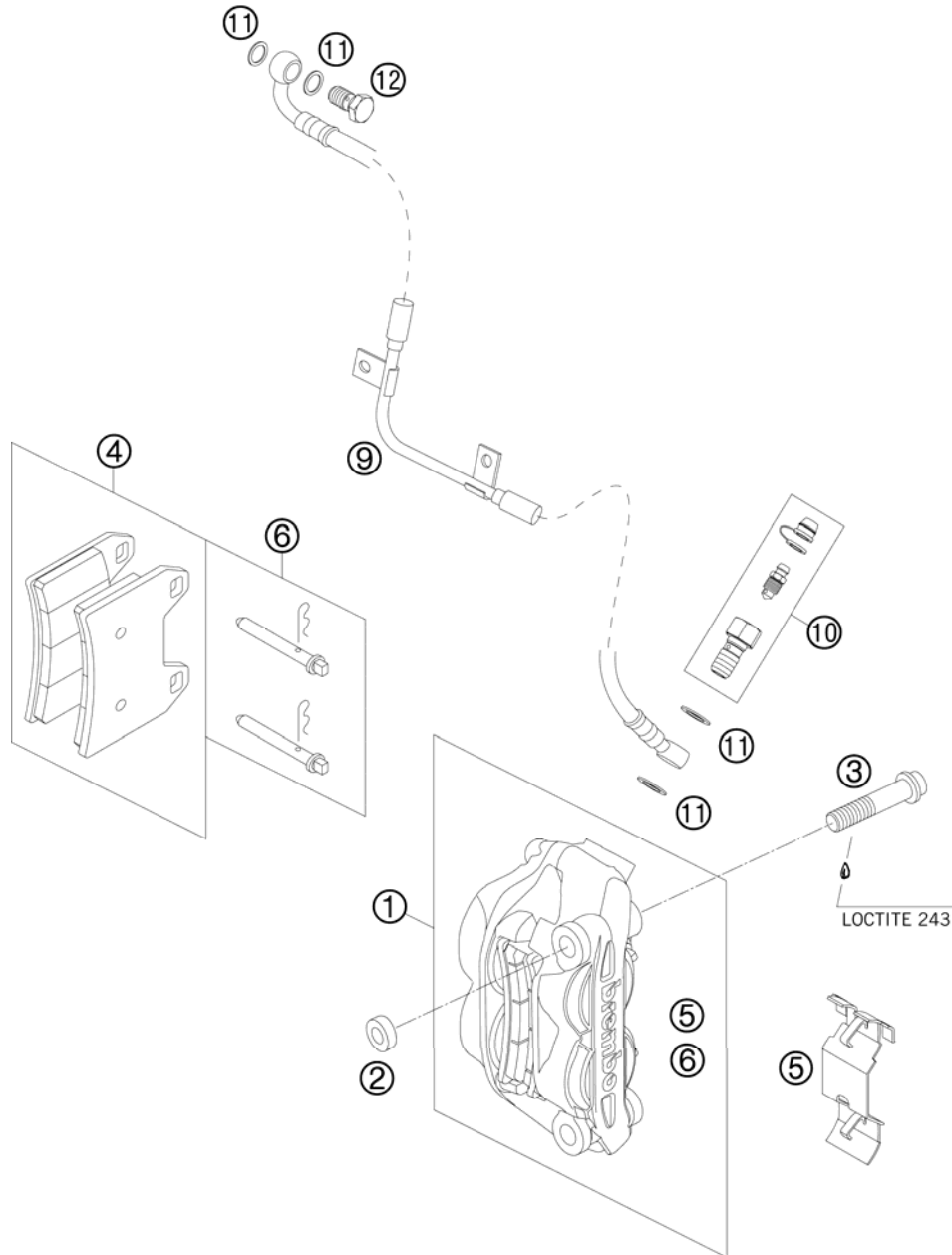


FIG	PART NUMBER	DESCRIPTION	QTY
1	7501301500101	BRAKE CALIPER FRONT W/O PADS	1
2	6111302200001	SPACER BUSH 10,1X20X7,5 07	2
3	0035100659	AH-COLLAR SCREW M10X1,25X65	2
4	75013030000	BRAKE PAD FR. HAWK 7342-49 HH	1
5	58713018000	RETAINING SPRING BREMBO '99	1
6	58713017000	BOLT WHITH CLIP '99	1
9	75013012000	BRAKE HOSE FRONT CPL. 07	1
10	62513020000	BLEEDER SCREW CPL. 05	1
11	0603100141	COPPER GASKET DIN7603-10X14X1	4
12	54813020100	HOLLOW SCREW BLACK M10X1X19	1

097501360 / C097501360

* NEW PART

X AS REQUIRED

LIGHTING SYSTEM

690 SUPERMOTO LIM.ED EU 2009

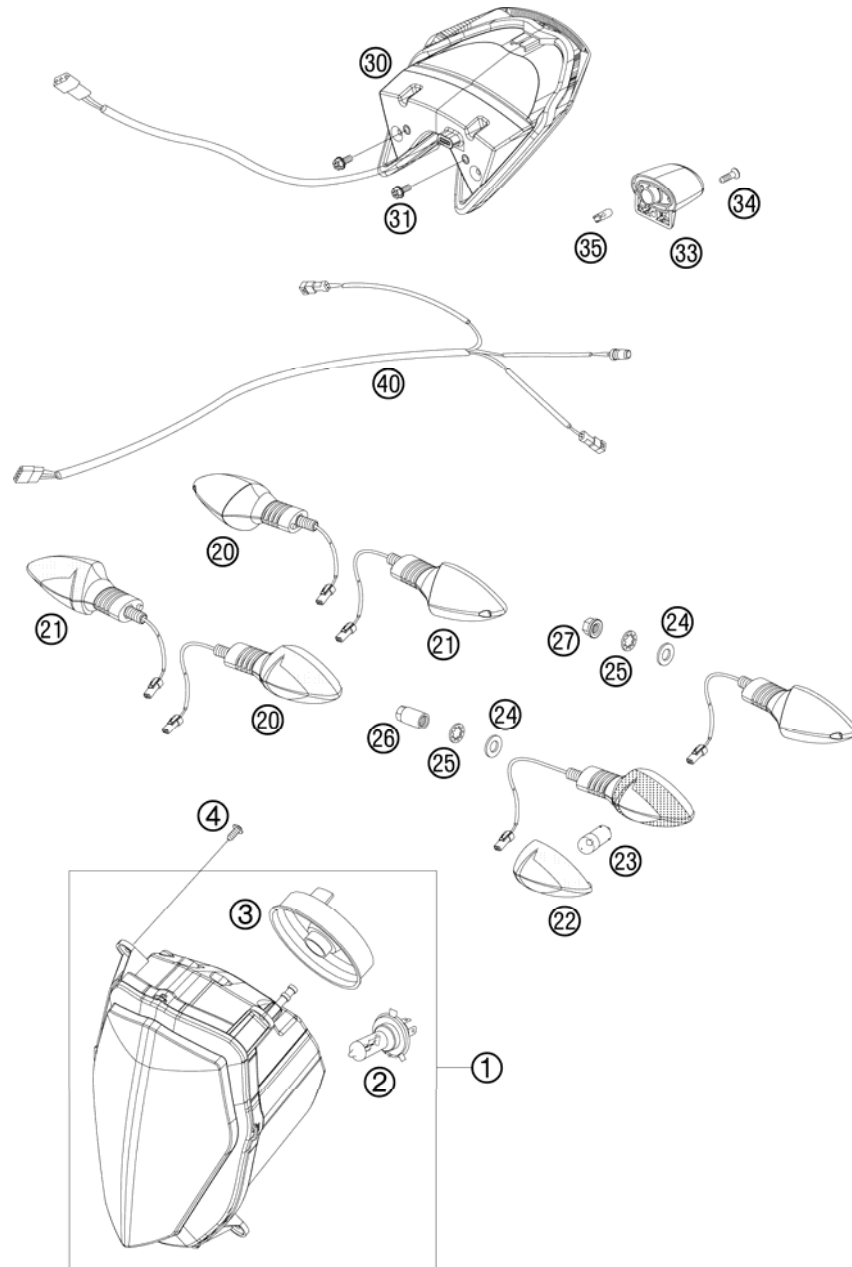


FIG	PART NUMBER	DESCRIPTION	QTY
1	75014001000	HEAD LIGHT LC4 07	1
2	57111038000	BULB H4 12V 60/55W (P43T)	1
3	58614001050	RUBBER CAP FOR HEAD LIGHT 05	1
4	0016050121	SCREW FOR PLASTIC 50X12	4
20	60114025000	FLASHER CPL.FRONT L/S REAR R/S	2
21	60114026000	FLASHER CPL.FRONT R/S REAR L/S	2
22	60114028000	FLASHER LENS L/S R/S TRANSP.06	4
23	60114027000	BULB 12V ORANGE (RY10W)	4
24	0433100003	WASHER 18x10,5x1,6	4
25	0797100003	LOCK WASHER DIN6797-J10,5 ZI	4
26	75014030000	FLASHER NUT M10X1,25 WS12	2
27	58414030000	HH COLLAR NUT M10X1,25 WS=13	2
30	75014040000	REAR LIGHT LED 07	1
31	0025050126	HH COLLAR SCREW M5X12 TX30	2
33	75014047000	LICENSE PLATE ILLUMINATION 07	1
34	0081250181	SCREW FOR PLASTIC 50X18 T20	1
35	49011435100	BULB 12V 5W (W2,1X9,5D) PHIL.	1
40	75011076000	WIRING HARNESS REAR 07	1

087501410 / C097501410

* NEW PART

X AS REQUIRED

INSTRUMENTS / LOCK SYSTEM

690 SUPERMOTO LIM.ED EU 2009

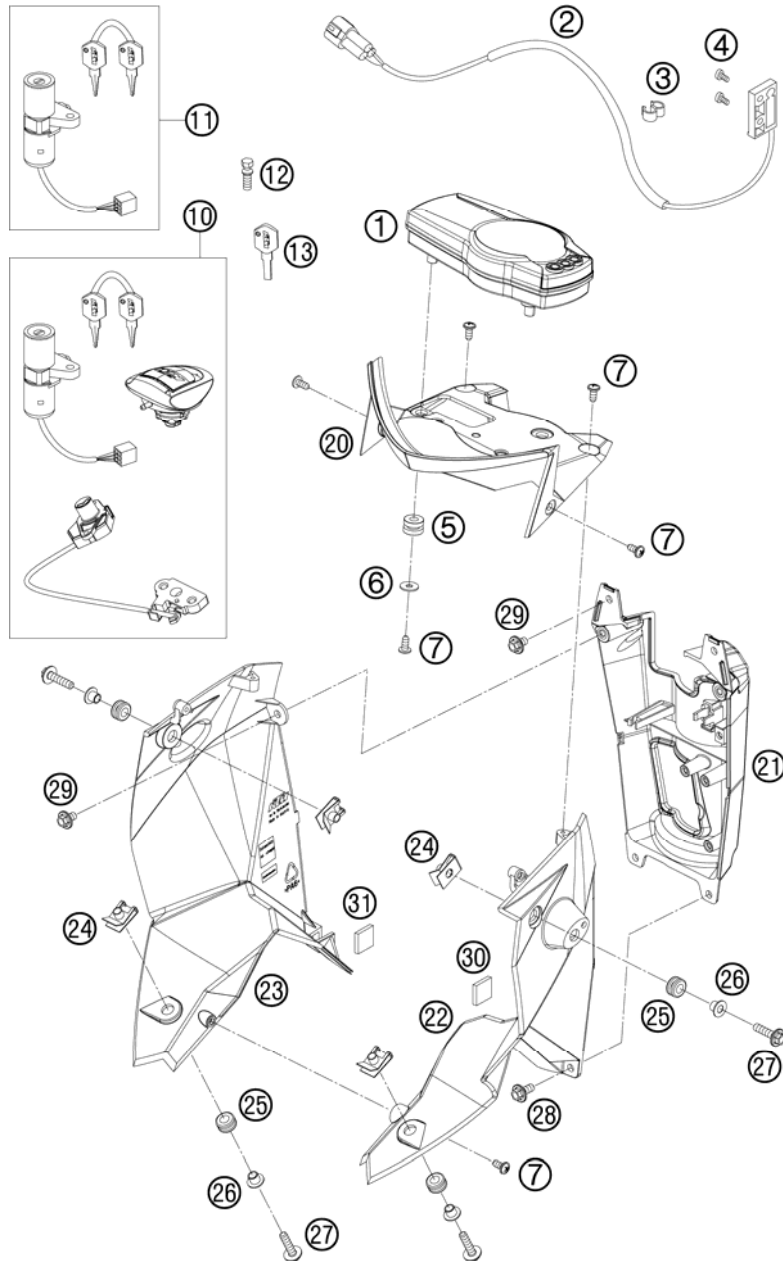


FIG	PART NUMBER	DESCRIPTION	QTY
1	75014069000	SPEEDOMETER 07 REPROGRAMMABLE KM/H - MPH	1
2	62514068100	SPEEDOMETER SENSOR 06	1
3	60111094000	CLAMP 5/7 MM 06	2
4	0084040083	CYL.HEAD SCREW DIN0084-M 4X8 A	2
5	58214069051	RUBBER GROMMET 16X10,8X3 02	3
6	0021050003	WASHER DIN9021-A 5,3	3
7	0081050121	SCREW FOR PLASTIC K50X12 T20	8
10	75011066144	KEY-SET 07	1
11	75011166000	IGNITION LOCK	1
12	60011064000	TAMPERPROOF SCREW F. IGN. LOCK	1
13	40011166100	KEY BLANK LC4/DUKE/LC8	1
20	75014060000	SPEEDOMETER BRACKET 07	1
21	75014064000	COVER 07	1
22	75014062000	MASK BRACKET L/S 07	1
23	75014063000	MASK BRACKET R/S 07	1
24	54603048100	RANGE CHANGE METAL NUT M6	4
25	31008060000	RUBBER SLEEVE D=8MM OPEN	4
26	75014010050	COLLAR BUSHING 6,1X8,1X14X8 07	4
27	0024060206	HH COLLAR SCREW M6X20 TX30	4
28	0024060156	HH COLLAR SCREW M6X15 TX30	2
29	0024060106	HH COLLAR SCREW M6X10 TX30	4
30	75014062010	METAMOLL	1
31	75014063010	METAMOLL	1

087501430 / C097501430

* NEW PART

X AS REQUIRED

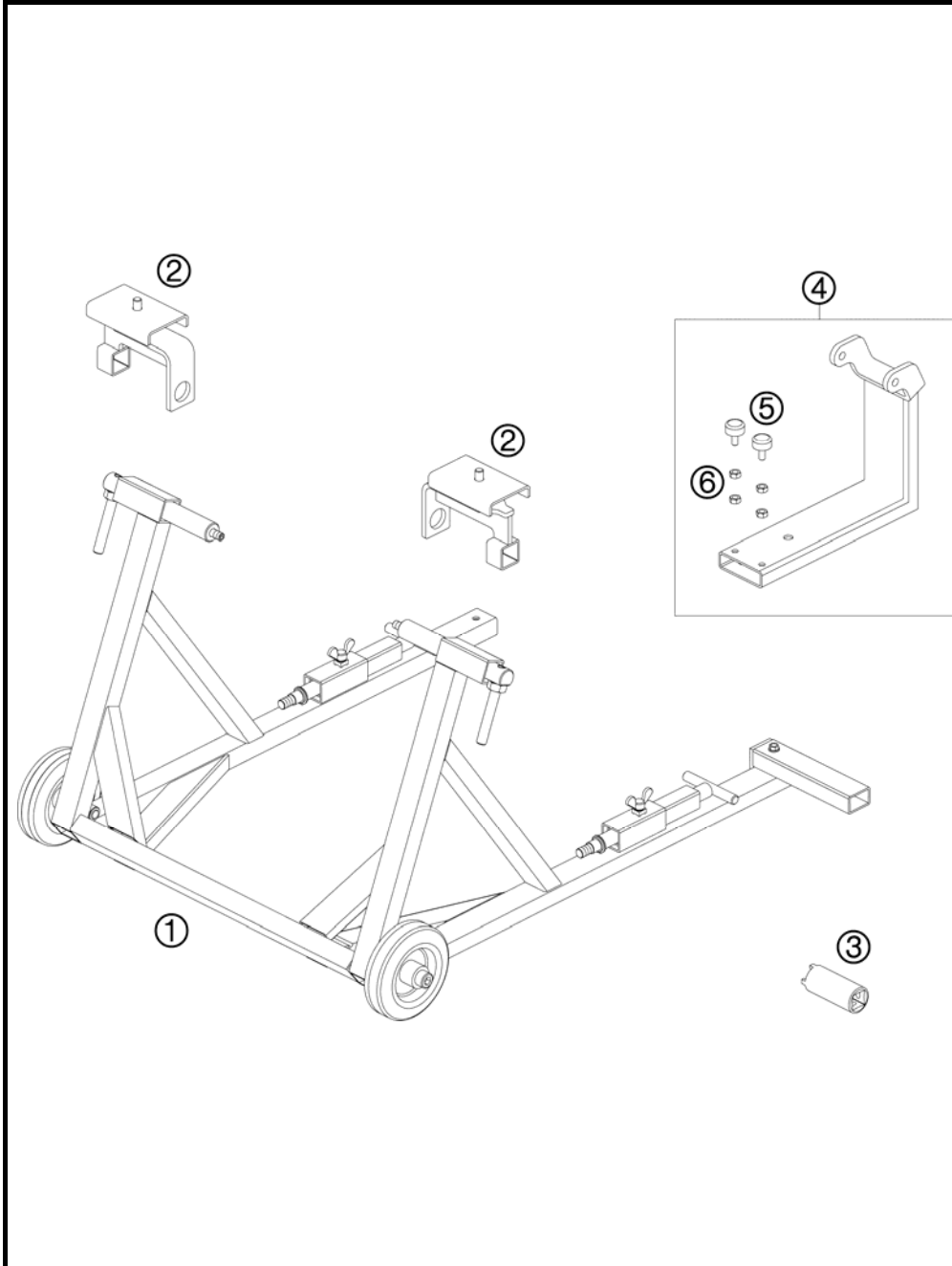


FIG	PART NUMBER	DESCRIPTION	QTY
1	62529055000	VEHICLE STAND 05	1
2	75029036000	BRACKET FOR ASSEMBLING RACK	2
3	75029034000	SP. BROCKET SW.ARM BEARING ADJ	1
4	75029055000	ATTACHMENT SHUNTING JACK CPL.	1
5	58303070000	STOP RUBBER M8	2
6	0934080003	HEXAGON NUT DIN0934-M 8	4

087501910 / C087501910

* NEW PART

X AS REQUIRED

ACCESSORIES KIT

690 SUPERMOTO LIM.ED EU 2009

①
OHNE ABBILDUNG
WITHOUT ILLUSTRATION

①
TECHNISCHE DOKUMENTATION
TECHNICAL DOCUMENTATION
DOCUMENTACION TECNICA
DOCUMENTATION TECHNIQUE
NOTE TECNICHE

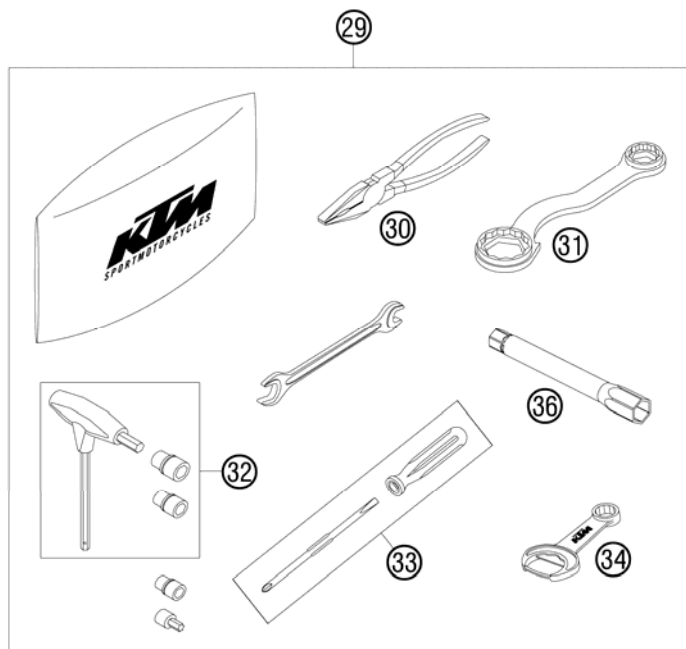


FIG	PART NUMBER	DESCRIPTION	QTY
0	00063099111	BAG FOR INSTRUCTION MANUAL	x
0	0021060003	WASHER DIN9021-A 6,4	4
0	0024060156	HH COLLAR SCREW M6X15 TX30	4
0	0125050003	WASHER DIN0125-A 5,3	2
0	0966050163	OVAL HEAD SCREW DIN0966-M 5X16	2
0	0985050003	SELF LOCKING NUT DIN0985-M 5	2
0	0985060003	SELF LOCK. NUT DIN0985-M 6	4
0	312305	DOCUMENTS BAG 2006	1
0	312313	KTM BALLPOINT ORANGE	1
0	3210039	CUSTOMER WELCOME LETTER	x
0	40006006000	WASHER 6MM	2
0	58412040050	SUPPORT FOR MIRROR LC4 '98	2
0	58412080000	REFLECTOR RED LC4 '98	1
0	58412080050	BRACKET FOR REFLECTOR	1
0	60003040033	FOOTPEG L/S+R/S CPL. 03	1
0	60012081200	LICENCE FITTING 06	1
0	61112040000	REVIEW MIRROR L/S 07	1
0	61112041000	REVIEW MIRROR R/S 07	1
1	3211364EN	OWN:MAN. 690 SUPERMOTO/-R 2009	1
29	75029099100	TOOL SET 08	1
30	53012028200	GRIP ORANGE B&F	1
31	50329080100	WRENCH SW=17/21/27/32 B&F	1
32	60029070200	T-WRENCH WS=6/8/10 TX=45 B&F	1
33	53012024100	SCREW DRIVER L=105MM	1
34	50329071100	WRENCH WS=13 B&F + OPENER	1
36	75029072000	SPARK PLUG WRENCH	1

087502000 / C097502001

* NEW PART

X AS REQUIRED





KTM-Sportmotorcycle AG
A-5230 Mattighofen
www.ktm.at

KTM Group Partner



3CF97031EN



Art.Nr.: 3CF97031EN 6/2009