

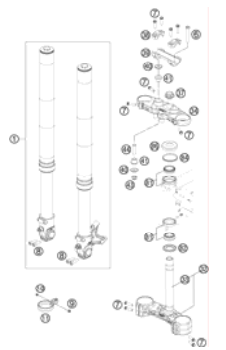
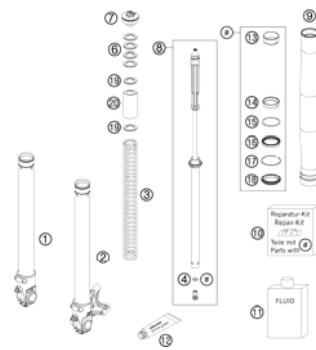

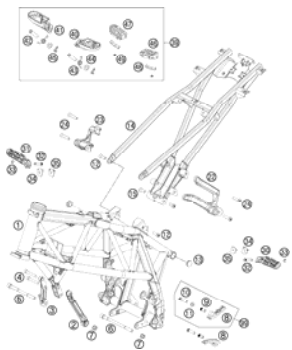
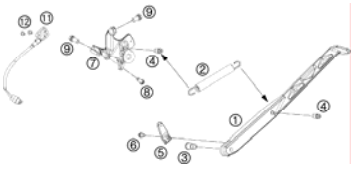
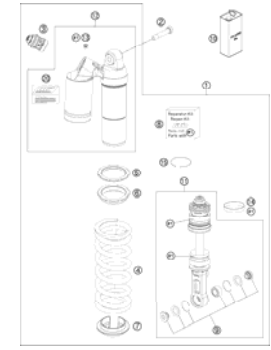
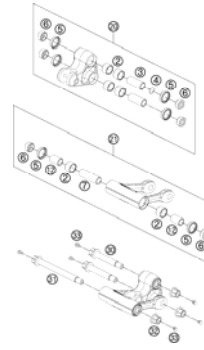
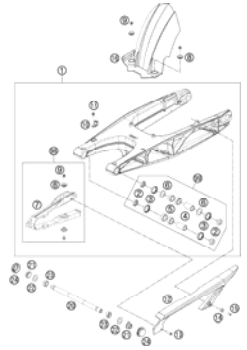
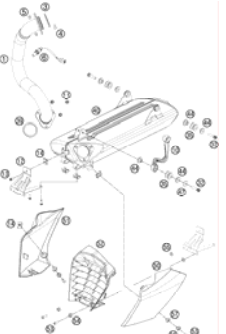
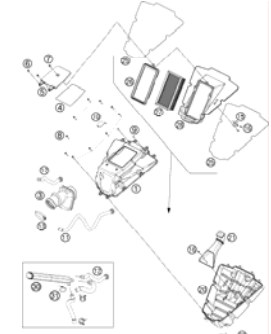
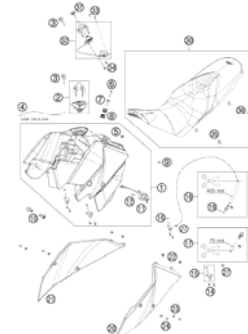
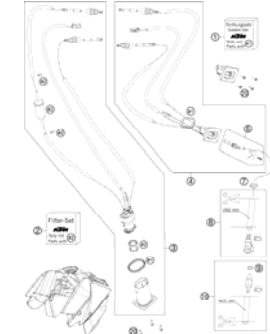
690 DUKE BLACK EU 2011


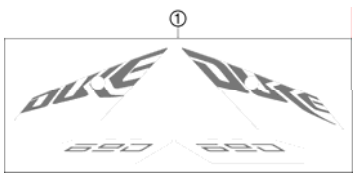
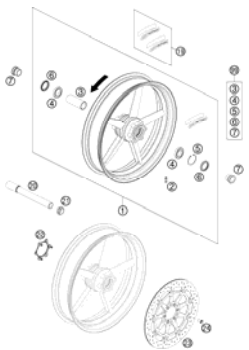
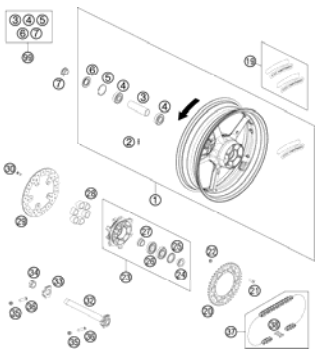
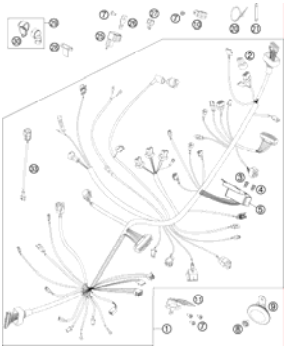


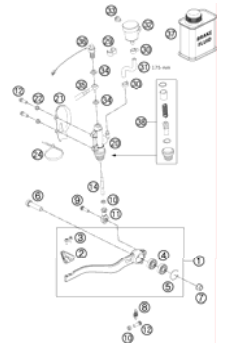
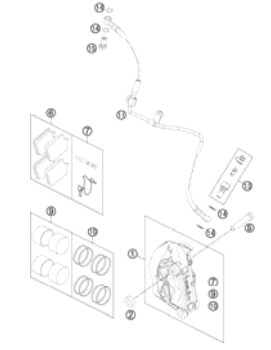
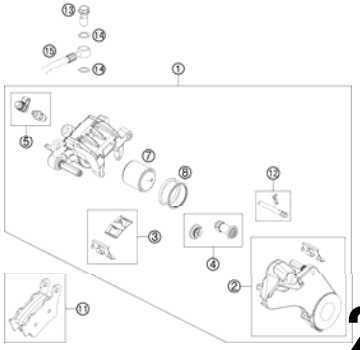
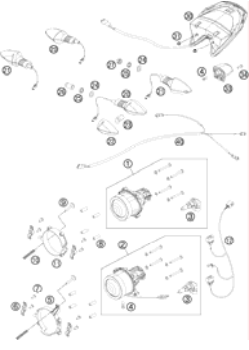
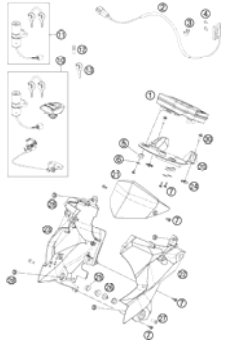
SPARE PARTS MANUAL: CHASSIS

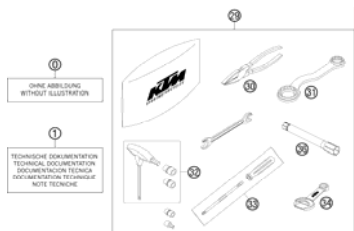
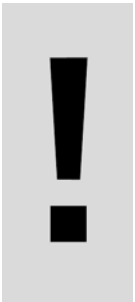
ART.NO.: 3CF9703K3EN

ENGLISH



<p>FRONT FORK, TRIPLE CLAMP</p>  <p>4</p>	<p>FRONT FORK DISASSEMBLED</p>  <p>5</p>	<p>HANDLEBAR, CONTROLS</p>  <p>6</p>	<p>FRAME</p>  <p>7</p>
<p>SIDE / CENTER STAND</p>  <p>9</p>	<p>SHOCK ABSORBER</p>  <p>10</p>	<p>PRO LEVER LINKING</p>  <p>11</p>	<p>SWING ARM</p>  <p>12</p>
<p>EXHAUST SYSTEM</p>  <p>13</p>	<p>AIR FILTER</p>  <p>14</p>	<p>TANK, SEAT, COVER</p>  <p>15</p>	<p>FUEL PUMP</p>  <p>16</p>

<p>MASK, FENDERS</p>  <p>17</p>	<p>DECAL</p>  <p>19</p>	<p>FRONT WHEEL</p>  <p>20</p>	<p>REAR WHEEL</p>  <p>21</p>
<p>WIRING HARNESS</p>  <p>22</p>	<p>BATTERY</p>  <p>23</p>	<p>HAND BRAKE CYLINDER</p>  <p>24</p>	<p>REAR BRAKE CONTROL</p>  <p>25</p>
<p>BRAKE CALIPER FRONT</p>  <p>26</p>	<p>BRAKE CALIPER REAR</p>  <p>27</p>	<p>LIGHTING SYSTEM</p>  <p>28</p>	<p>INSTRUMENTS / LOCK SYSTEM</p>  <p>29</p>

<p>ACCESSORIES KIT</p>  <p>30</p>			
	<div style="display: flex; align-items: center;">  <p>All information contained is without obligation. KTM-Sportmotorcycle AG particularly reserves the right to modify any equipment, technical specifications, prices, colors, shapes, materials, services, service work, constructions, equipment and the like so as to adapt them to local conditions or to cancel any of the above items, all without previous announcement and without giving reasons. KTM may stop manufacturing certain models without previous notice. KTM shall not be held liable for any deviations of availability and/or ability to deliver, illustrations, descriptions, printing and/or other errors. The illustrated models partly contain extra equipment, which is not applied to standard models. © by KTM-SPORTMOTORCYCLE AG, Mattighofen AUSTRIA; All rights reserved; Reprint, also in extracts, with written allowance of KTM-SPORTMOTORCYCLE AG, Mattighofen only.</p> </div>		

FRONT FORK, TRIPLE CLAMP

690 DUKE BLACK EU 2011

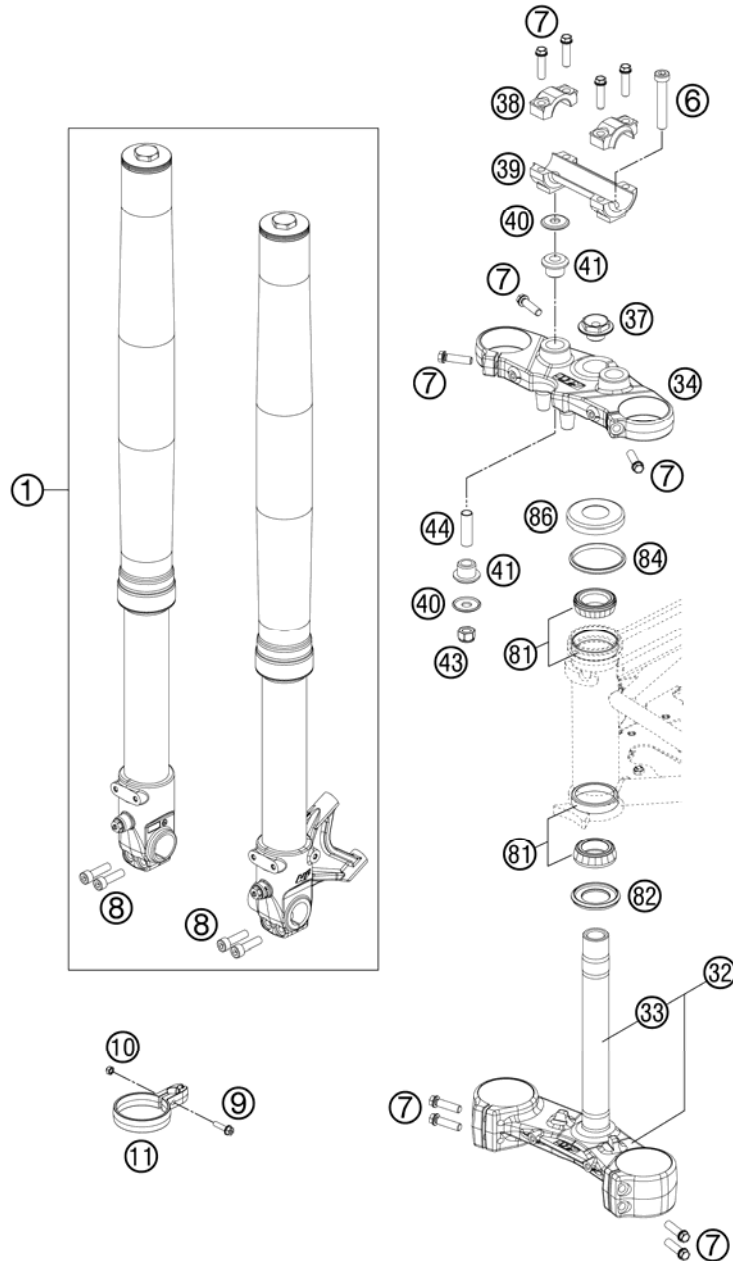


FIG	PART NUMBER	DESCRIPTION	QTY
1*	14187K0901	FORK KTM 690 DUKE 2011	1
6	0012100603	AH SCREW DIN6912-M10X60	2
7	0025080306	HH COLLAR SCREW M8X30 TX40	11
8	0912080303	AH SCREW DIN0912-M 8X30	4
9	0025050206	HH COLLAR SCREW M5X20 TX30	1
10	0985050003	SELF LOCKING NUT DIN0985-M 5	1
11	75001070000	CLAMP BRAKE HOSE 07	1
32	7500103203201S	BOTTOM TRIPLE CLAMP CPL. 07	1
33	60001033000	FORK TUBE LC8 ADV 03	1
34	7500103403201S	TOP TRIPLE CLAMP 54MM 07	1
37	54801036000	STEER.HEAD SCREW M20X1,5 WS=27	1
38	5900103830001S	HANDLEBAR CLAMP 28MM 07	2
39	5900103920001S	HANDLEBAR SUPPORT 28MM 07	1
40	56401042000	WASHER 10,5X32X2	4
41	56401040000	RUBBER BUSHING	4
43	0982100003	SELF LOCK.NUT DIN0982-M10 HIGH	2
44	61001041000	SPACER TUBE 10,2X12X38 05	2
81	54201081100	TAPERED ROLLER BEARING CPL. 06	2
82	54601084100	O-RING SUPPORT W. SEALING LIP	1
84	54601184000	STEERING HEAD GASKET TOP	1
86	61001086000	STEERING HEAD COVER 05	1

117560110 / C117560110

* NEW PART

X AS REQUIRED

FRONT FORK DISASSEMBLED

690 DUKE BLACK EU 2011

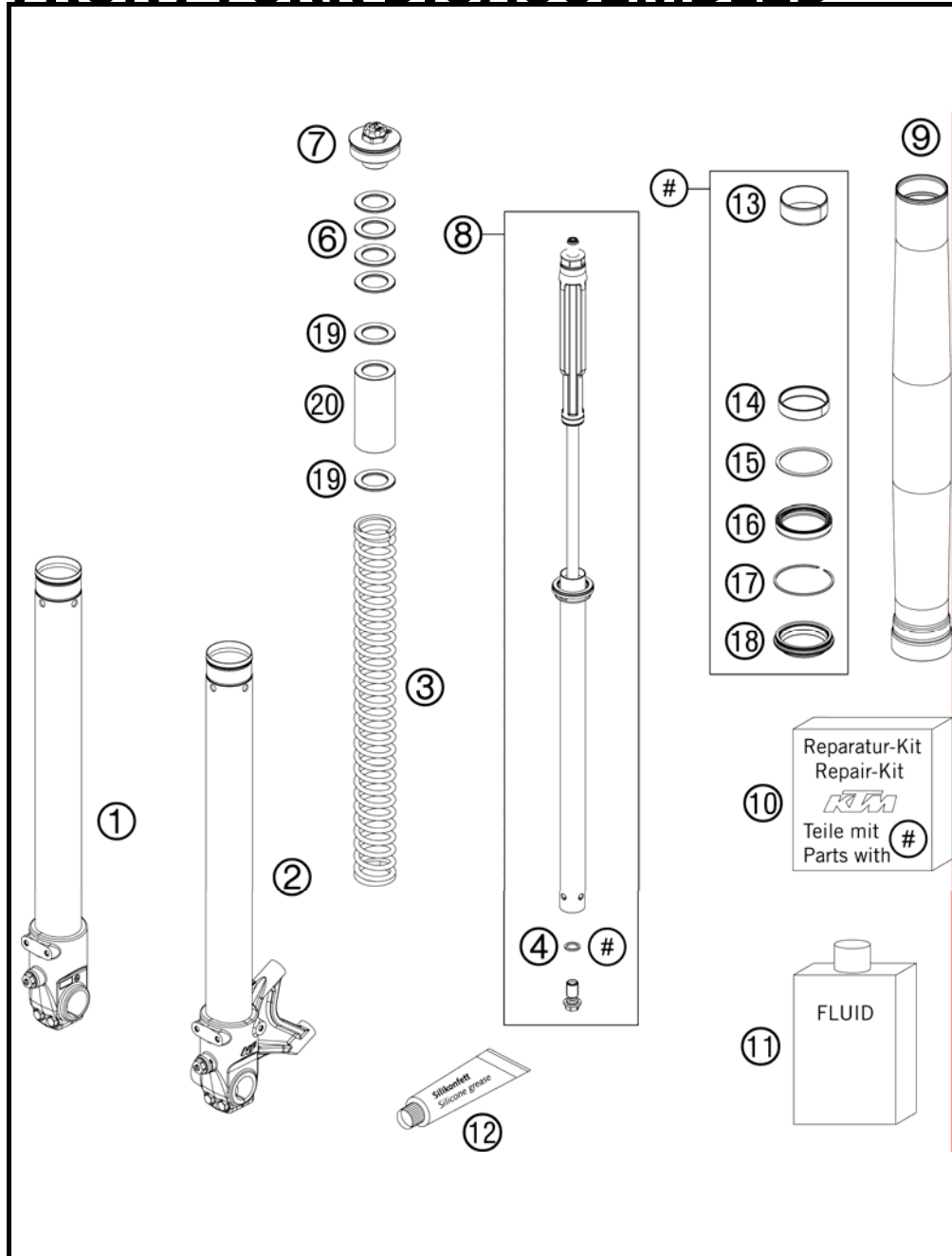


FIG	PART NUMBER	DESCRIPTION	QTY
1*	48600536S6	AXLE CLAMP R/S CPL.	11
2*	48600535S6	AXLE CLAMP L/S CPL.	11
3	91410078S	SPRING D43,2 L250 6,5N/MM	2
4	48600704	SEALING RING COPPER 12X18X1,5	2
6	48600036	SPACER 42X26,5X2,5	2
6	48600037	SPACER 42X26,5X5	2
6	48600038	SPACER 42X26,5X10	2
6	48600053	SPACER 42X26,5X1,5	2
7	48600558S	SCREW CAP M51X1,5 CPL.	07
8	48600678S2	CARTRIDGE CPL. 690 DUKE 2009	2
9	48600712	OUTER TUBE L610 D54/D60 2L ROA	2
10	R14017	REPAIR-KIT GASKET	09
11	48600765S1	FORK OIL SAE5 5L 2008	1
12	T511	SILICONE GREASE F. DUST STRI	1
13	48600428	DU-BUSH D47XD49X20DDL02	2
14	48600429	DU-BUSH D48XD52X12DDL02	2
15	48600013	SUPPORT RING 50 X 57,6 X 1,5	2
16	48600347	OIL SEAL RING 48X57,8X9,5 03	2
17	48600070	LOCK WASHER SB58	2
18	48600816	DUST SEAL	2
19	48600458	SPACER 43X35X1,5	4
20	48600579	SPACER ALU D42 X 85	2

117560130 / C117560130

* NEW PART

X AS REQUIRED

HANDLEBAR, CONTROLS

690 DUKE BLACK EU 2011

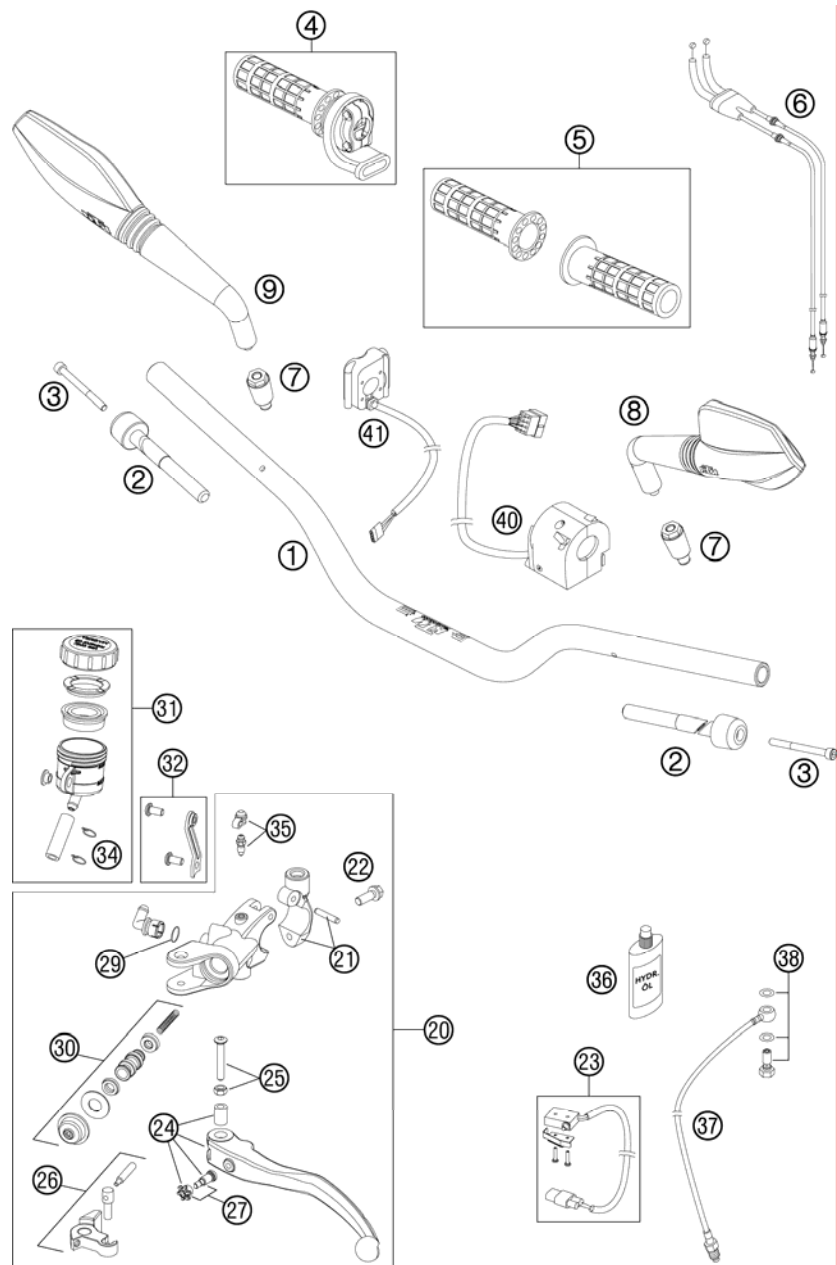


FIG	PART NUMBER	DESCRIPTION	QTY
1	75002001000	HANDLEBAR D=28MM	07
2	61002004000	VIBRATIONS ABSORBER	05
3	0912060653	AH SCREW DIN0912-M 6X65	
4	75002010000	THROTTLE GRIP CPL.	07
5	58302021100	GRIPP SET FULL WAFFLE	
6	75002091000	THROTTLE CABLE	07
7	58412040050	SUPPORT FOR MIRROR LC4 '98	
8	61112040000	REVIEW MIRROR L/S	07
9	61112041000	REVIEW MIRROR R/S	07
20*	61002030100	MASTER CYLINDER CPL. 2010	
21	61002044000	CLAMP MIRROR WITH PIN	
22	0025060166	HH COLLAR SCREW M6X16 TX30	
23	61011049000	CLUTCH SWITCH	05
24*	61002031100	CLUTCH LEVER CPL.	
25*	50302038200	LEVER SCREW SHORT CPL.	09
26	61002056000	ROCKER CPL.	05
27	61002043000	ADJUSTING SCREW CPL.	
29	61002051000	O-RING ANGLE PIECE	
30	61002032000	REP.SET PISTON D=13	05
31	61002055000	RESERVOIR CPL.	05
32	61002055050	BRACKET AND SCREWS F. RESERV.	
34	58007117000	YDNAC-CLAMP 10107 10MM	
35	61002054000	BLEEDER SCREW WITH CAP	
36	50302036200	OIL FOR HYD. CLUTCH 75ML	
37	75632063000	CLUTCH PIPE SM PRESTIGE	07
38	59032062000	HOLLOW SCREW + COPPER GASKET	
40	61011070000	LIGHT SWITCH	05
41	58411074100	START-STOP SWITCH AD LC4	02

117560210 / C117560210

* NEW PART

X AS REQUIRED

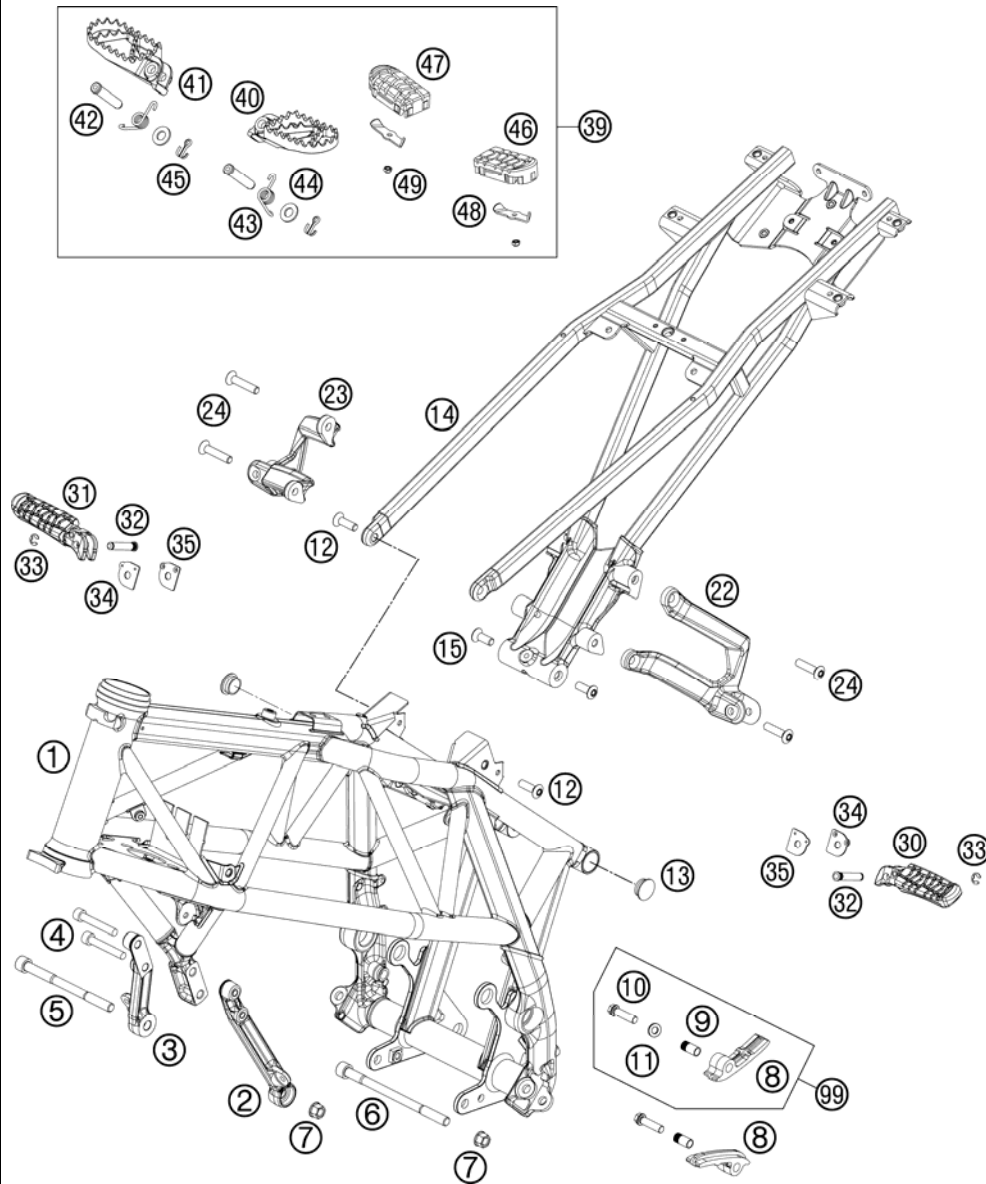


FIG	PART NUMBER	DESCRIPTION	QTY
1	7500300120033	FRAME "EH08" BLACK MATT 08	1
2	7500300104901	CONNECTION BRACKET ENG. L/S 07	1
3	7500310104901	CONNECTION BRACKET ENG. R/S 07	1
4	014579080506S	CYL. SCREW DIN14579 M8X50 SS	2
5	75603015000	SPECIAL SCREW M10X129 HEX8 08	1
6	75003014000	SPECIAL SCREW M10X152 ISK8 07	1
7	54630044000	COLLAR NUT M10 WS=13	2
8	54804067000	CHAIN SLIDING PIECE 03	2
9	51103053051	BUSHING 8,2X10X20	2
10	0025080306	HH COLLAR SCREW M8X30 TX40	2
11	0125080003	WASHER DIN0125-A 8,4	1
12	0019080206S	FLAT HEAD SCREW M. ISA45 M8X20	2
13	61003088000	PLUG SFL28 05	2
14	7500300200033	SUB FRAME BLACK MATT	1
15	0019100289S	COUNTERSUNK SCREW ISA45 M10X28	2
22	7560304800001S	FOOTREST BRACKET REAR L/S	1
23	7560304900001S	FOOTREST BRACKET REAR R/S	1
24	0019080306S	COUNTER-SUNK SCREW ISA45 M8X30	4
30	60003050000	FOOTREST CPL. L/S REAR 03	1
31	60003051000	FOOTREST CPL. R/S REAR 03	1
32	60003044000	BOLT FOR FOOTREST REAR 03	2
33	0799060003	TAB WASHER DIN6799-RS 6,0	2
34	60003052000	ENGAGE PANEL FOOTREST R/S 03	2
35	60003152000	ENGAGE PANEL FOOTREST L/S 03	2
39	60003040033	FOOTPEG L/S+R/S CPL. 03	1
40	59003040250	FOOT PEG L/S SILVER 02	1
41	59003041250	FOOT PEG R/S SILVER 02	1
42	54803044000	BOLT FOR FOOT PED 03	2
43	54603041000	FOOTREST SPRING L/S & R/S	2
44	0125100003	WASHER DIN0125-A10,5	2
45	0094032253	PIN DIN0094-3,2X25 STEEL	2
46	60003040010	FOOTREST RUBBER FRONT L/S 03	1
47	60003041010	FOOTREST RUBBER FRONT R/S 03	1
48	60003044010	CLOSING PANEL FRONT L/S R/S 03	2
49	0985050003	SELF LOCKING NUT DIN0985-M 5	2

117560310 / C117560310

* NEW PART

X AS REQUIRED

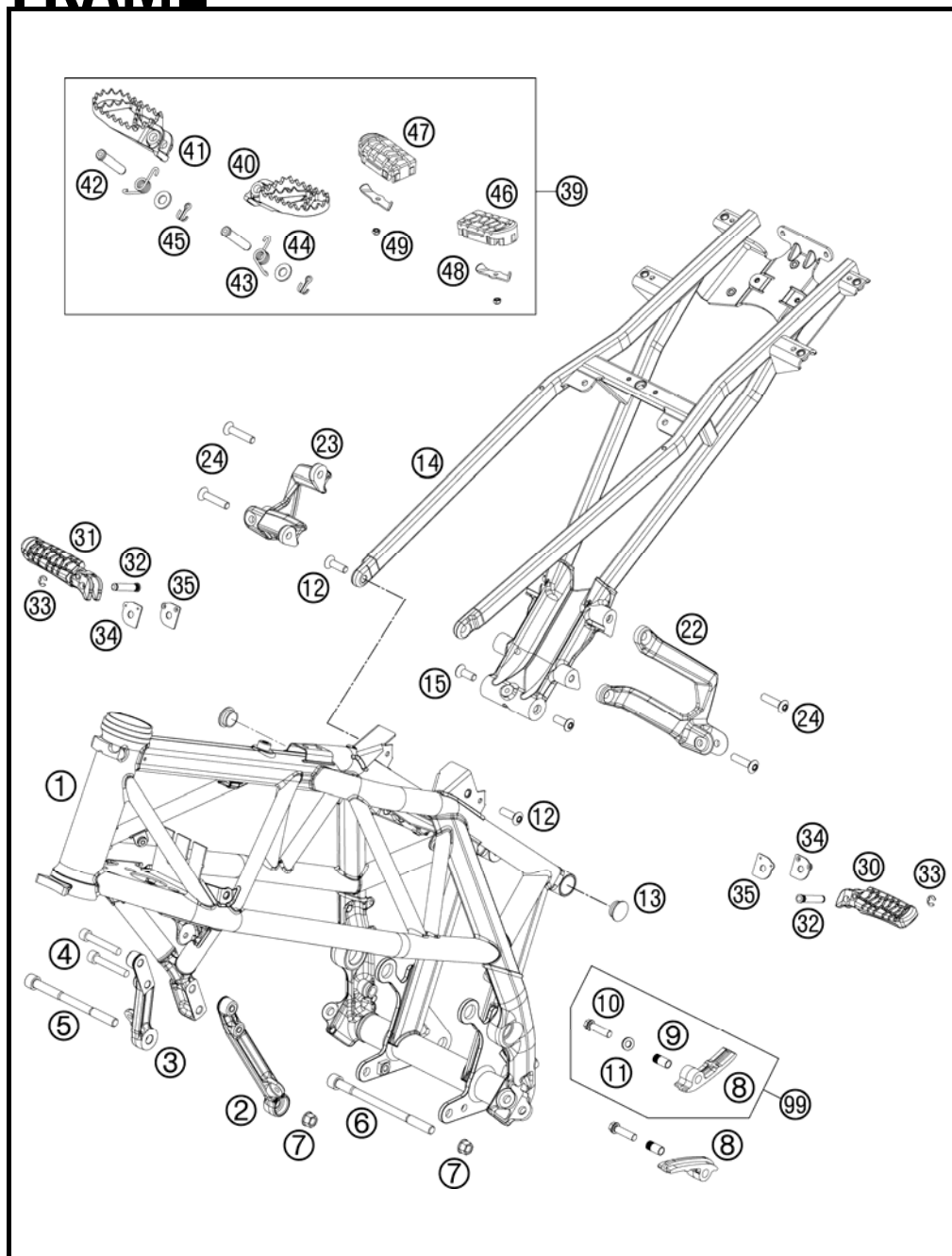


FIG	PART NUMBER	DESCRIPTION	QTY
99	54804067010	CHAIN SLIDING KIT UPPER CPL.	1

117560310 / C117560310

* NEW PART

X AS REQUIRED

SIDE / CENTER STAND

690 DUKE BLACK EU 2011

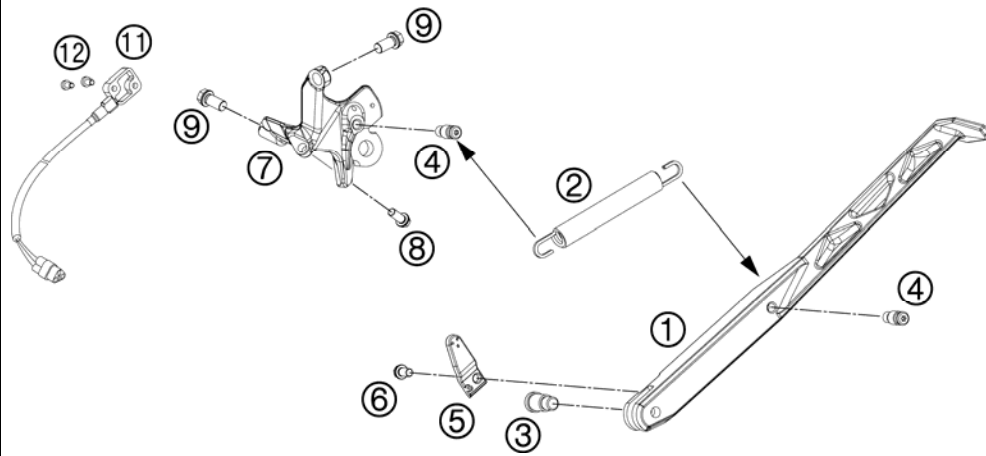


FIG	PART NUMBER	DESCRIPTION	QTY
1	7560302301001S	SIDE STAND 08	1
2	61003024000	SPRING L=116 MM 05	1
3	62503027200	SCREW FOR SIDE STAND M10X31,2	1
4	75603023011	BOLT F. SIDE STAND SPRING	2
5	62503029050	MAGNET HOLDER 05	1
6	0025060126	HH COLLAR SCREW M6X12 TX30	1
7	75603023053	SIDE STAND SUPPORT 08	1
8	59009062016	SPECIAL SCREW M6X16 WS=8 10.9	1
9	0025080166	HH COLLAR SCREW M8X16 TX40	2
11	61011045000	SIDE STAND SENSOR 05	1
12	0084040083	CYL.HEAD SCREW DIN0084-M 4X8 A	2

117560360 / C117560360

* NEW PART

X AS REQUIRED

SHOCK ABSORBER

690 DUKE BLACK EU 2011

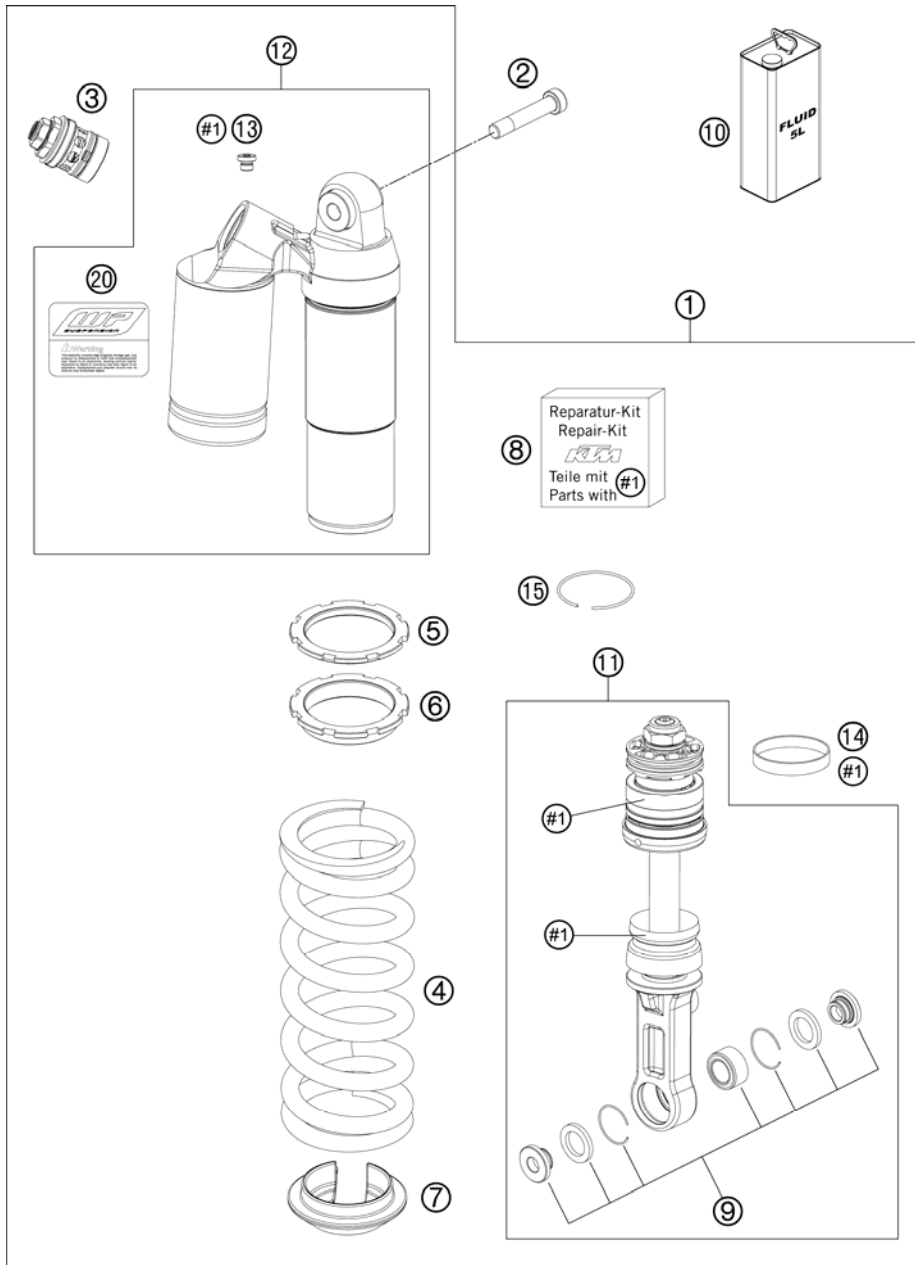


FIG	PART NUMBER	DESCRIPTION	QTY
1	15187J0901	MONOSHOCK 690 DUKE 2010	1
2	75004016000	SCREW M 10 L=53MM 07	2
3	50180213S9	DCC-COMPR.DAMP.CONTROL CPL. 05	1
4	91110012S	SPRING 185MM 70N/MM (61)	x
5	46180766	COUNTERNUT	1
6	46180855	ADJUSTING NUT	1
7	46180396	SPRING RETAINER H=15 D=28	1
8	R15002	REPAIR-KIT GASKET 05	1
9	R15006	REPAIR KIT BEARINGS 07	1
10	50180751S1	SHOCK ABSORBER FLUID 5 LT	1
11	46180654S9	SHOCK ABS. BOTTOM CPL. DUKE	1
12	46180807S1	MONOSHOCK TOP PART CPL. DUKE	1
13	50180095	BLEED PLUG R 1/8	1
14	46810361	PISTON RING	1
15	46810010	CIRCLIP 49X1,5	1
20	52000087	STICKER WP MONOSHOCK	1

117560410 / C117560410

* NEW PART

X AS REQUIRED

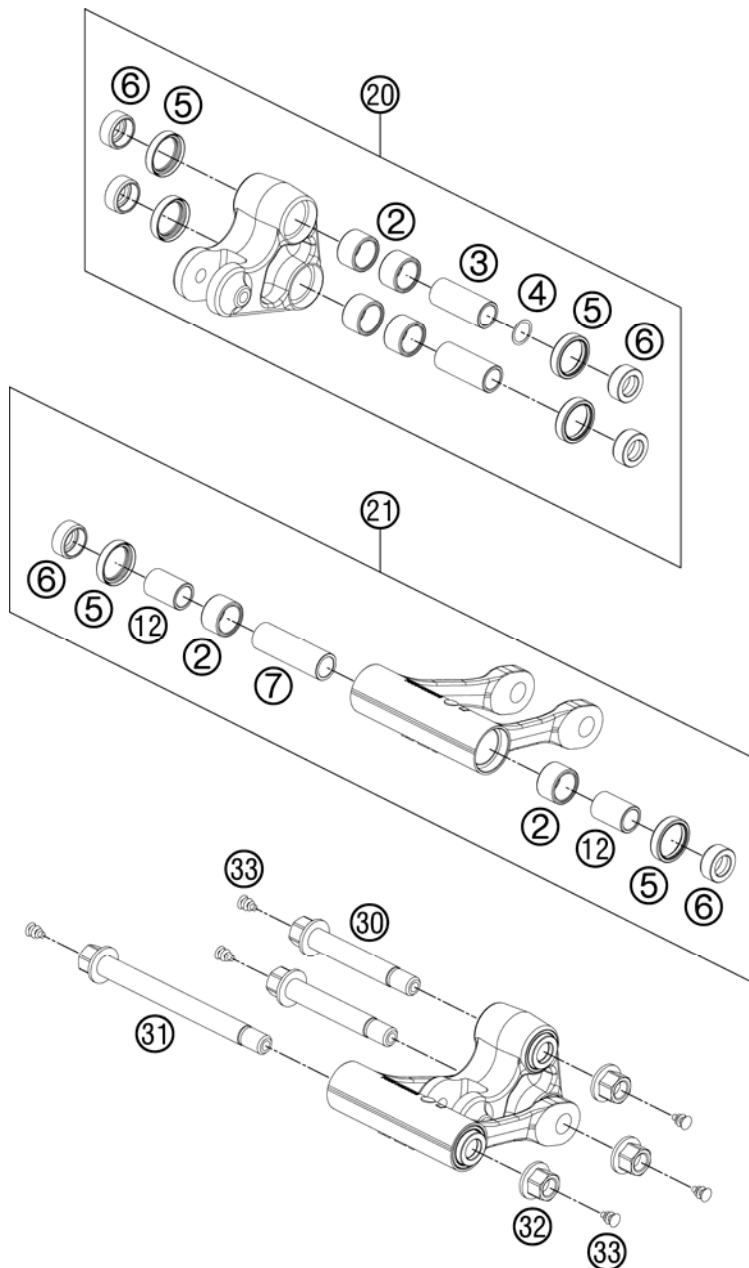


FIG	PART NUMBER	DESCRIPTION	QTY
2	54603097000	NEEDLE BUSH HK 2016	6
3	54603081000	BUSHING SLEEVE 15 X 20 X 48	2
4	54603090020	STEEL WASHER 15,2X19X0,2	1
5	0760253270	SHAFT SEAL RING 25X32X7	6
6	58303090000	SPAC.F.SHAFT SEALRING 15X25X11	6
7	75004084000	SPACER SLEEVE 15X20X63 07	1
12	50203081800	BEARING BUSHING	2
20	7500408004401	SETTING LEVER CPL. 07	1
21	7500408304401	INTERMEDIATE LEVER CPL. 07	1
30	54603182044	BOLT CPL.	2
31	75004085044	BOLT CPL. M14X1,5 L=175MM 07	1
32	54603015000	SELF LOCKING NUT M14X1,5 WS=19	3
33	54403135000	PLASTIC CAP SFL10	6

117560460 / C117560460

* NEW PART

X AS REQUIRED

SWING ARM

690 DUKE BLACK EU 2011

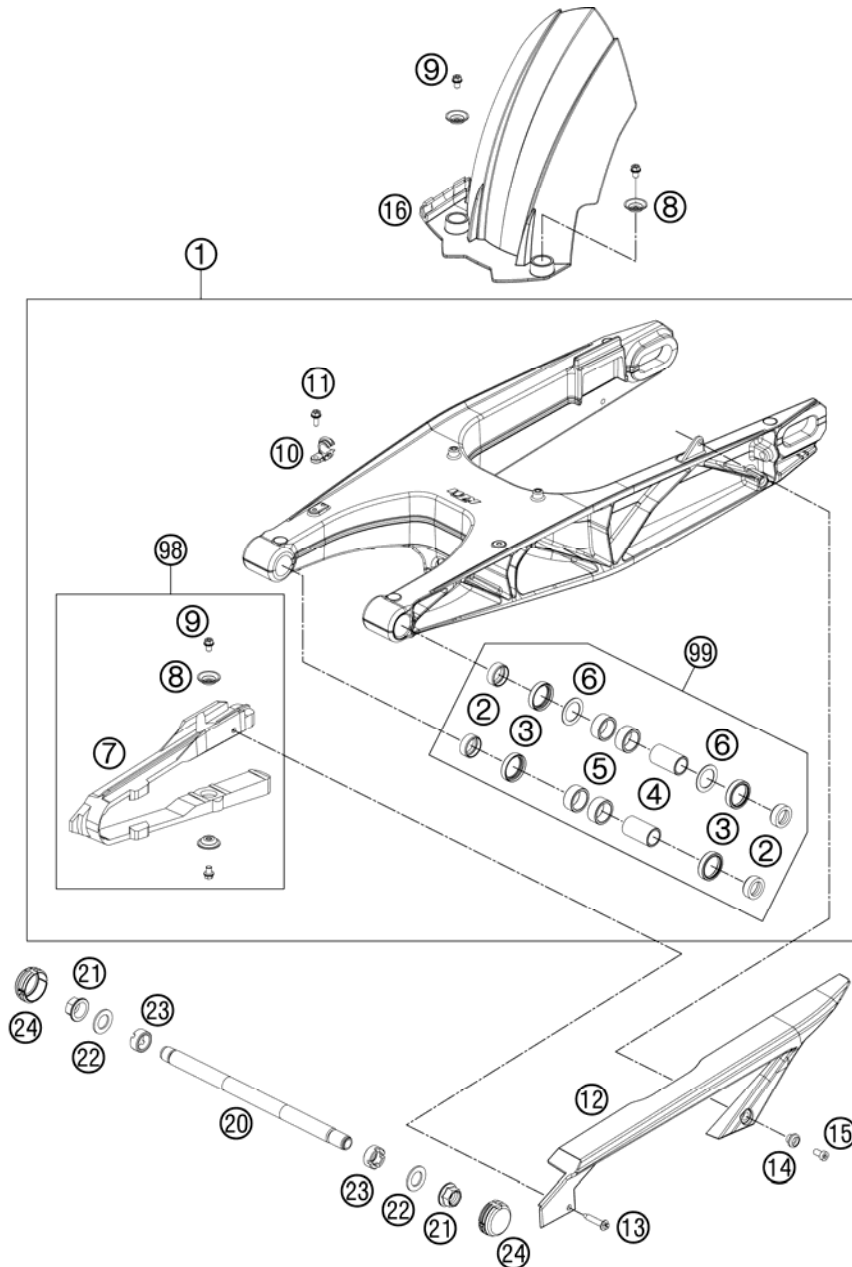


FIG	PART NUMBER	DESCRIPTION	QTY
1	7500403004433	SWING SM CPL. 07	1
2	54804034000	BUCKET F. SHAFT SEAL RING 03	4
3	0760253270	SHAFT SEAL RING 25X32X7	4
4	59404032000	BEARING SLEEVE 17X22X38,7 03	2
5	59004031200	NEEDLE BUSH HK2212V	4
6	54603036000	STOP DISK 22,2X31,7X1	2
7	75004066000	CHAIN SLIDING PROTECTION 07	1
8	72210079000	BUCKET	4
9	0025060086	HH COLLAR SCREW M6X8 TX30	4
10	5461107610030	RET. CLAMP F. BRAKE HOSE BLACK	1
11	0009050106	EJOT SPIRAL SCREW SF M5X10-K	1
12	75004060000	CHAIN GUARD	1
13	0017060303	SPECIAL SCREW T60 6X30 WS=6	1
14	75001094010	BUSHING MUD FLAP 07	1
15	0012060123	AH SCREW DIN6912 M6X12	1
16	75604050000	MUD FLAP 08	1
20	75004037000	SWING ARM BOLT L=272MM 07	1
21	54804038000	SELF LOCK.NUT M16X1,5 WS=19 03	2
22	75004042000	WASHER 07	2
23	75004046000	ADJUSTING RING M24X1,5 07	2
24	75003088000	PLASTIC CAP 07	2
98	75004066010	CHAIN GUARD KIT	1
99	54804230010	SWINGARM REP. KIT	1

117560490 / C117560490

* NEW PART

X AS REQUIRED

EXHAUST SYSTEM

690 DUKE BLACK EU 2011

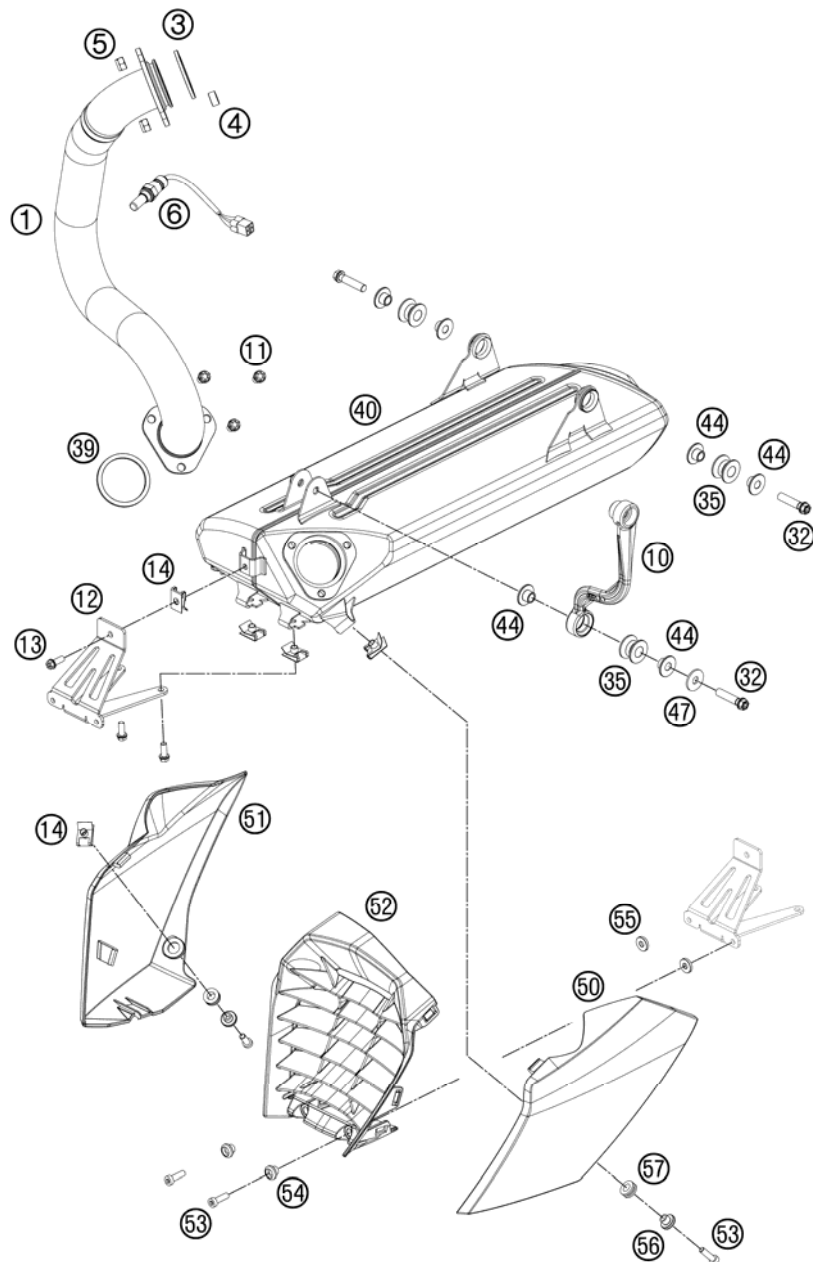


FIG	PART NUMBER	DESCRIPTION	QTY
1	75605007000	EXHAUST PIPE FRONT 08	1
3	61005005000	EXHAUST GASKET 05	1
4	61005009000	SPACER BUSH. 8,5X15X7,5 05	1
5	51010086100	SELF LOCKING NUT M 8 CU	2
6	75041090000	LAMBDA SENSOR 07	1
10	7560501400001	SUPPORT F. EXHAUST SILENCER 08	1
11	0025080166	HH COLLAR SCREW M8X16 TX40	3
12	75608020060	RETAINING PLATE FRONT SPOILER	1
13	0024060156	HH COLLAR SCREW M6X15 TX30	3
14	54603048100	RANGE CHANGE METAL NUT M6	5
32	0025080356S	HH COLLAR SCREW M8X35 TX40	3
35	54305068100	DAMP. COMPONENT SILICONE GREY	3
39	75605005000	EXHAUST GASKET 57,6X3,5 08	1
40	75605083100	SILENCER "KTM LC4 03"	1
44	58405050065	COLLAR BUSH 8,5X12X23,5X10	6
47	0021080003	WASHER DIN9021-A 8,4	1
50*	7560802300030A	FRONT SPOILER L/S BLACK	1
51*	7560802400030A	FRONT SPOILER R/S BLACK	1
52	75608020000	FRONT SPOILER-CENTER PART	1
53	0984060203	AH SCREW DIN6912-M 6X20 8.8	4
54	75001094010	BUSHING MUD FLAP 07	2
55	75608067000	INSULATING DISK 6,2X16X3	2
56	75001094020	COLLAR BUSH 6,25X9,2X17X11 08	2
57	75608020010	RUBBER SLEEVE 9X17X7MM 08	2

117560510 / C117560510

* NEW PART

X AS REQUIRED

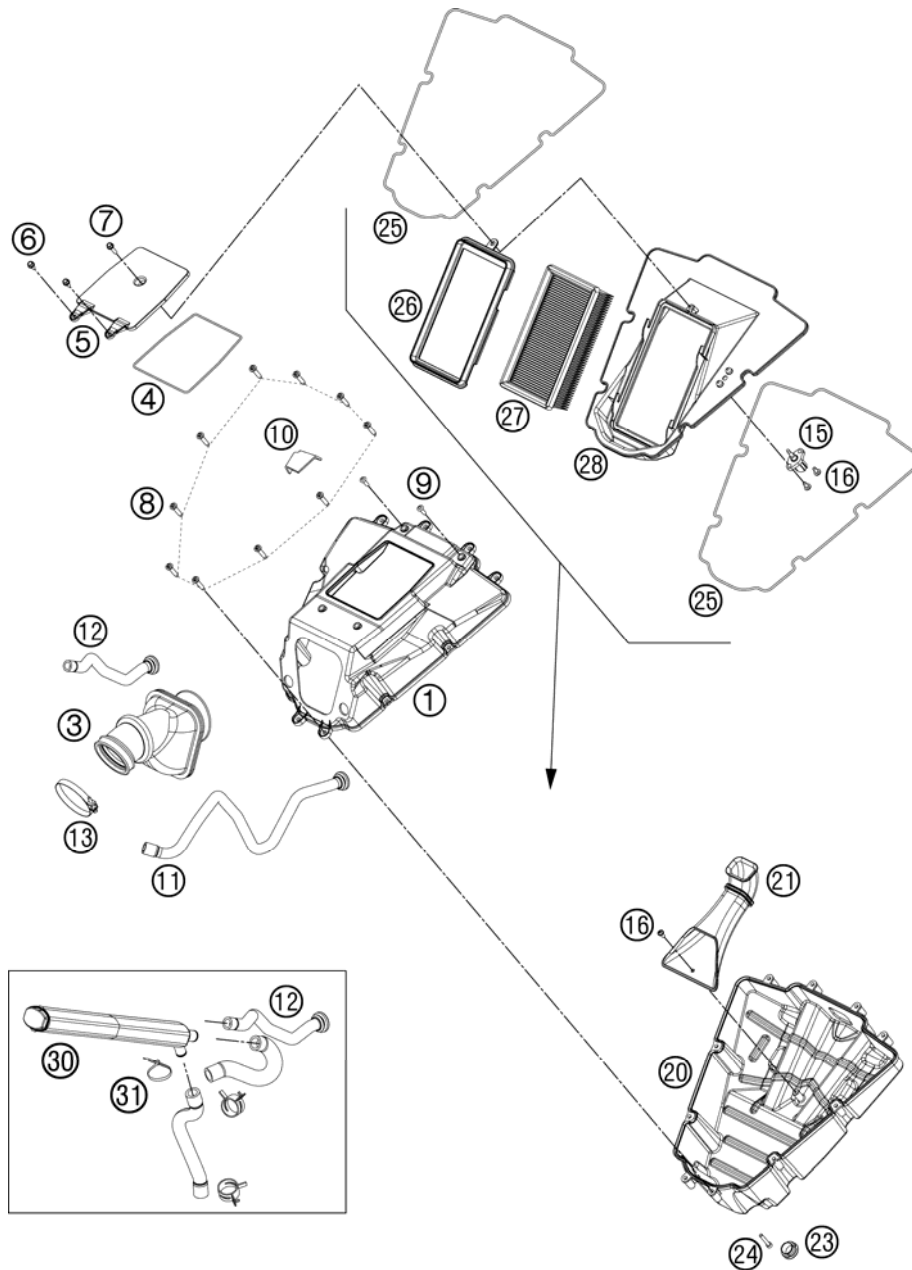


FIG	PART NUMBER	DESCRIPTION	QTY
1	75006001010	AIRBOX UPPER-PART	1
3	75006126000	INTAKE TRUMPET	1
4	75006091000	GASKET FILTER BOX	07
5	75006002000	FILTER BOX COVER	07
6	0025050106	COLLAR SCREW M5X12 ISA30	2
7	0025050206	HH COLLAR SCREW M5X20 TX30	1
8	0017060303	SPECIAL SCREW T60 6X30 WS=6	10
9	58605083014	SCREW M5X14 TORX 25	07
10	75006001015	METAMOL FOR AIR FILTER	07
11	75005032000	HOSE SLS AIRFILTERBOX	07
12	75030088000	HOSE OIL SEPARATOR - BREATH.07	1
13	51006027000	HOSE CLAMP 50-70MM	1
15	61041080000	AMBIENT-AIR TEMPERATURE SENSOR	1
16	0081050121	SCREW FOR PLASTIC K50X12 T20	3
20	75006001020	AIRBOX LOWER-PART	07
21	75006040000	INTAKE SNORKEL	07
23	61003088000	PLUG SFL28	05
24	0912050303	AH SCREW DIN0912-M 5X30	1
25	75006090000	GASKET FILTER BOX	07
26	75006001050	FILTER FRAME	07
27	75006015000	AIRFILTER	1
28	75006001030	AIRBOX MIDDLE-PART	07
30	75030087000	OIL SEPARATOR FOAM	07
31	44011076200	CABLE TIE 200/3,6MM BLACK	3

117560610 / C117560610

* NEW PART

X AS REQUIRED

TANK, SEAT, COVER

690 DUKE BLACK EU 2011

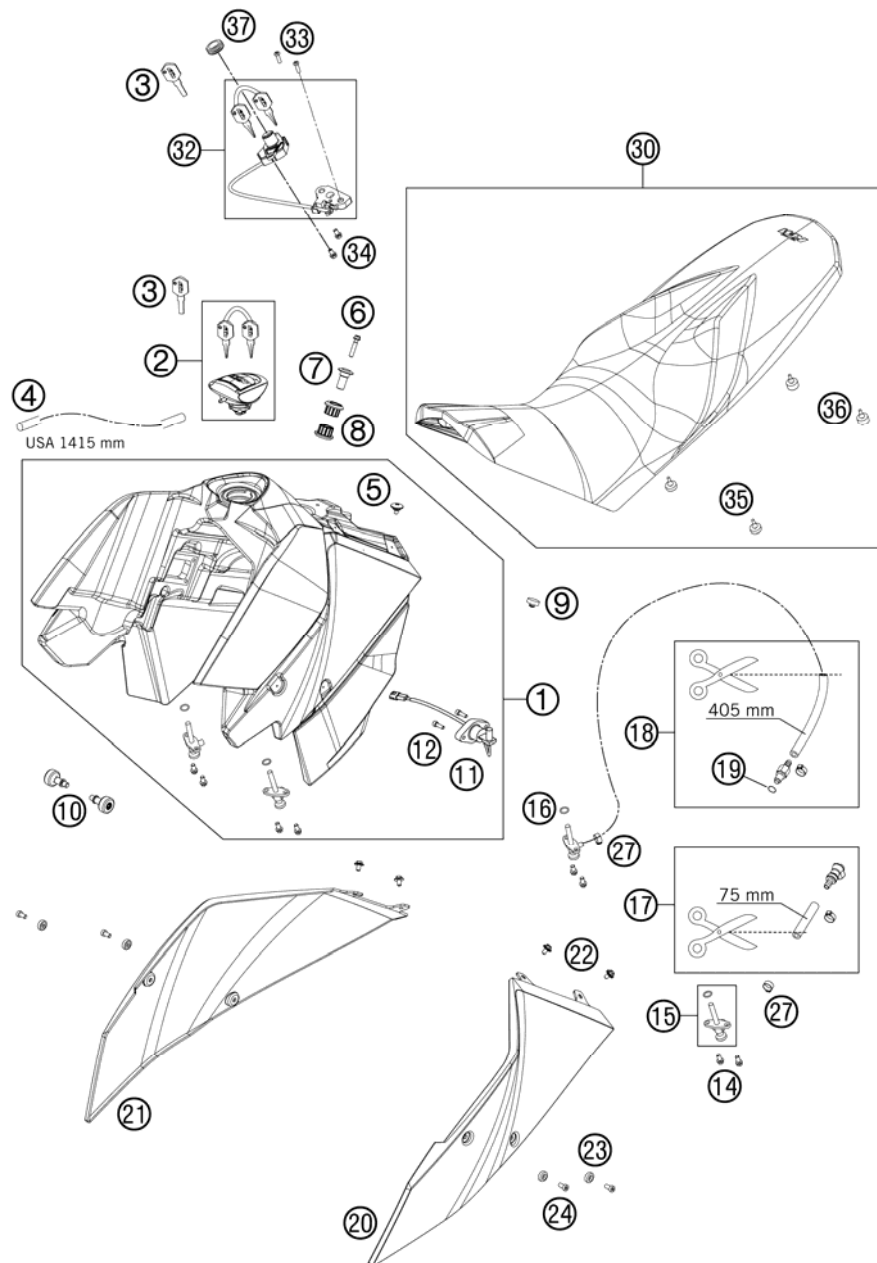


FIG	PART NUMBER	DESCRIPTION	QTY
1*	7500701304430A	FUEL TANK BLACK CPL.	11
2	58407008200	TANK PLUG	06
3	40011166100	KEY BLANK LC4/DUKE/LC8	x
4	60007026001	HOSE NBR 5,4X9,4 PER METER ONLY FOR USA	x
5	58407011100	SCREW FOR SEAT M6X11,5/8	1
6	0912080303	AH SCREW DIN0912-M 8X30	1
7	60007060000	BEARING BUSHING OUTSIDE	03
8	60007065000	TANK RUBBER BUSHING	03
9	54308042000	RUBBER BUFFER	1
10	62507026100	SPECIAL SCREW M8	06
11	58207080100	GAS-LEVEL SENSOR ADV.	2006
12	0912050163	AH SCREW DIN0912-M 5X16	2
14	0025060126	HH COLLAR SCREW M6X12 TX30	4
15	58507003000	FUEL COCK CPL. SMALL RALLYE'96	2
16	0770020130	O-RING 1,78x10,82x14,38 2-013	2
17	75007116060	FUEL HOSE WITH CLUTCH	1
18	75007016050	FUEL HOSE WITH CLUTCH	1
19	58507012000	O-RING VITON F. PLUG CPC	05
20*	7500805000030E	SPOILER L/S BLACK +DECAL	1
21*	7500805100030E	SPOILER R/S BLACK +DECAL	1
22	0024060106	HH COLLAR SCREW M6X10 TX30	4
23	60008045000	SPECIAL WASHER D=16,5MM	03
24	0012060123	AH SCREW DIN6912 M6X12	4
27	00050142706	VARIABLE ONE-EAR CLAMP 14,2 MM	2
30	75607040000	SEAT	08
32	62507050000	SEAT LOCK	05
33	0966050203	OVAL HEAD SCREW DIN0966-M 5X20	2
34	0025050126	HH COLLAR SCREW M5X12 TX30	2
35	75007046020	SEAT RUBBER 6 MM	2
36	75007046010	SEAT RUBBER 10 MM	2
37	58707050050	RUBBER SLEEVE F.SEAT LOCK '99	1

117560710 / C117560710

* NEW PART

X AS REQUIRED

FUEL PUMP

690 DUKE BLACK EU 2011

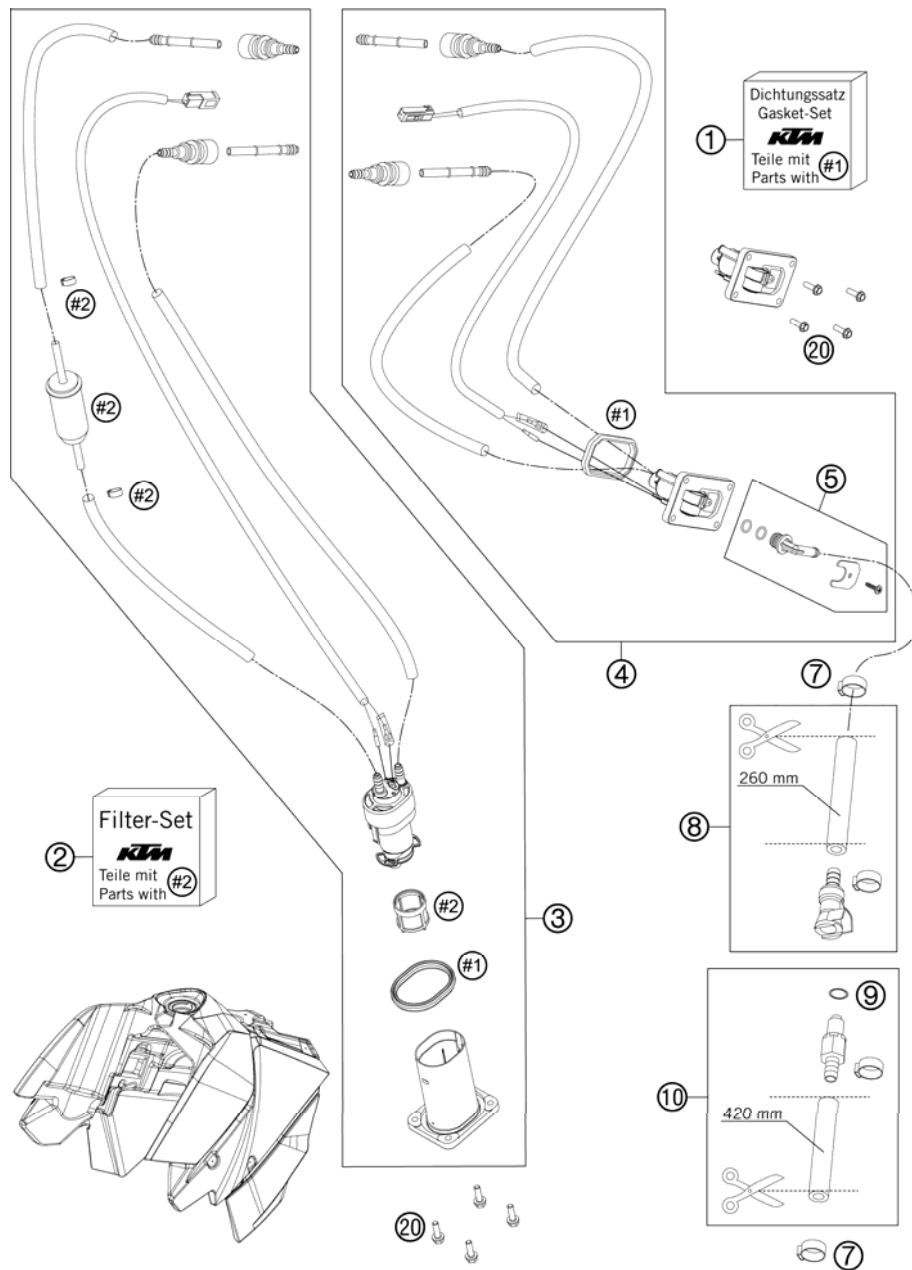


FIG	PART NUMBER	DESCRIPTION	QTY
1	75007089000	SEALINGS KIT	1
2	75007090000	FILTER KIT	1
3	75007088011	FUEL PUMP WITH FLANGE CPL.	1
4	75007088012	PRESSURE REGULATOR CPL. 07	1
5	75007092000	HYDRAULIC CONNECTOR CPL.	1
7	00050157706	VARIABLE ONE-EAR CLAMP 15,7MM	4
8	75007116060	FUEL HOSE WITH CLUTCH	1
9	58507012000	O-RING VITON F. PLUG CPC 05	1
10	75007016050	FUEL HOSE WITH CLUTCH	1
20	0025050166	HH COLLAR SCREW M5X16 TX30	8

117560730 / C117560730

* NEW PART

X AS REQUIRED

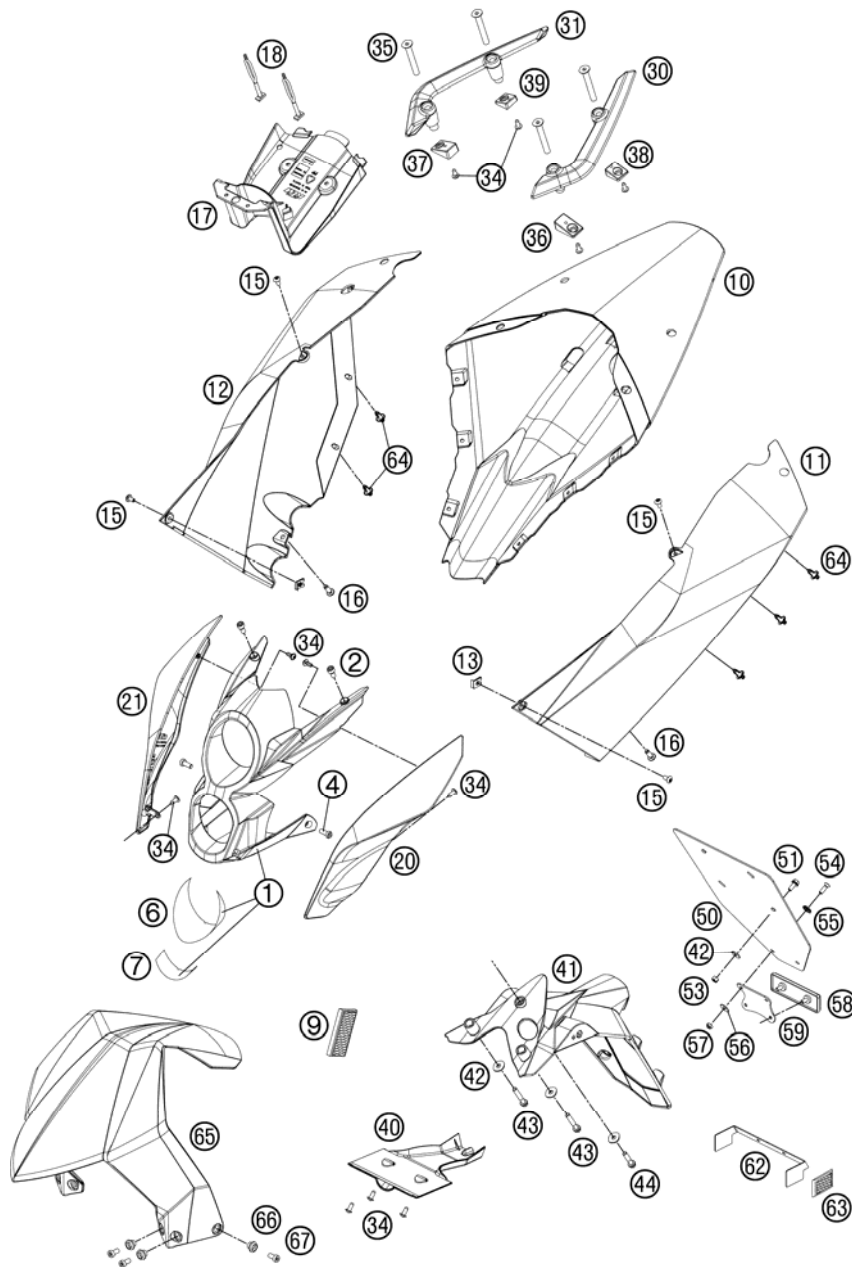


FIG	PART NUMBER	DESCRIPTION	QTY
1*	7560800100030A	HEAD LIGHT MASK BLACK	1
2	0912060123	AH SCREW DIN0912-M 6X12	2
4	0012060164	AH SCREW DIN6912 M6X16 SL	2
6	75608001051	THERMAL PROT. FOIL F. LOW BEAM	1
7	75608001052	THERMAL PROT. FOIL F. HIGH BEAM	1
9	58412080100	REFLECTOR YELLOW '99 ONLY FOR USA+JP+AUS/UK	2
10*	7500801300033	REAR FENDER BLACK MATT 07	1
11*	7500804100030E	SIDECOVER L/S BLACK	1
12*	7500804200030E	SIDECOVER R/S +DECAL BLACK	1
13	54603048200	RANGE CHANGE METAL NUT M5	2
15	58605083014	SCREW M5X14 TORX 25 07	4
16	0017060203	EJOT PT SCREW K60X20 WS=6	2
17	75003075000	STORAGE COMPARTMENT	1
18	50303018000	RUBBER L=145MM	2
20*	7560800300030A	MASK SPOILER LEFT BLACK	1
21*	7560800400030A	MASK SPOILER RIGHT BLACK	1
30	75012008000	HAND GRIP L/S 07	1
31	75012009000	HAND GRIP R/S 07	1
34	0081050121	SCREW FOR PLASTIC K50X12 T20	11
35	0991080603	FLAT HEAD SCREW ISO10642 M8X60	4
36	75003065000	SPACER SUB FRAME FRONT L/S	1
37	75003066000	SPACER SUB FRAME FRONT R/S	1
38	75003067000	SPACER SUB FRAME REAR L/S	1
39	75003068000	SPACER SUB FRAME REAR R/S	1
40	75608015010	COVER NUMB. PLATE CARRIER 08	1
41	75608015000	NUMBER PLATE CARRIER	1
42	0021060003	WASHER DIN9021-A 6,4	7
43	0025060306	HH COLLAR SCREW M6X30 TX30	2
44	0025060206	HH COLLAR SCREW M6X20 TX30	1
50	60012081200	LICENCE FITTING 06	1
51	0024060156	HH COLLAR SCREW M6X15 TX30	4
53	0985060003	SELF LOCK. NUT DIN0985-M 6	4
54	0966050163	OVAL HEAD SCREW DIN0966-M 5X16	2
55	40006006000	WASHER 6MM	2

117560810 / C117560810

* NEW PART

X AS REQUIRED

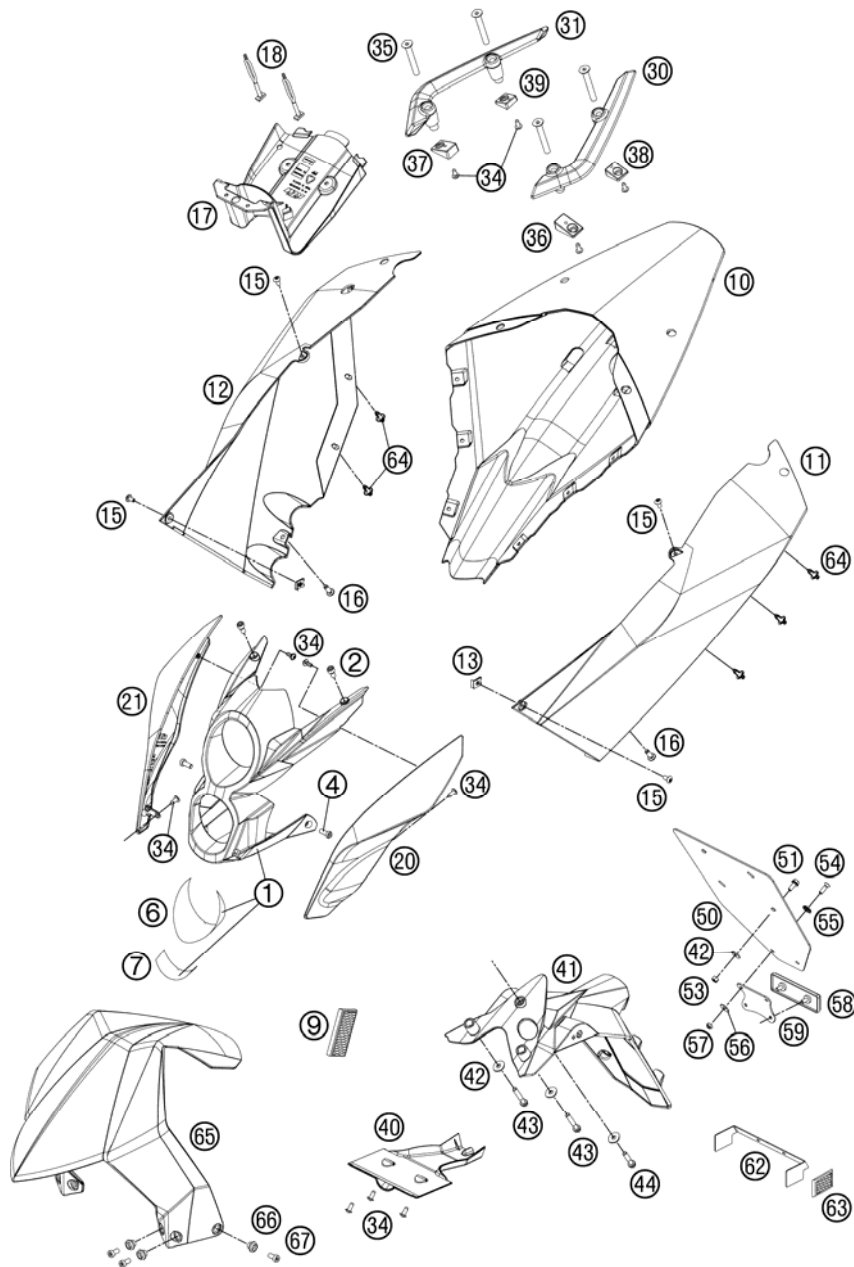


FIG	PART NUMBER	DESCRIPTION	QTY
56	0125050003	WASHER DIN0125-A 5,3	2
57	0985050003	SELF LOCKING NUT DIN0985-M 5	2
58	58412080000	REFLECTOR RED LC4 '98	1
59	58412080050	BRACKET FOR REFLECTOR	1
62	62512081000	BRACKET SIDE REFLECTOR 06 ONLY FOR USA	1
63	16512180100	SIDE REFLECTOR RED REAR ONLY FOR USA	2
64	76503075100	EXPANDING RIVET CPL.	6
65*	7560801000030A	FRONT FENDER BLACK	1
66	75001094010	BUSHING MUD FLAP 07	6
67	0012060123	AH SCREW DIN6912 M6X12	6

117560810 / C117560810

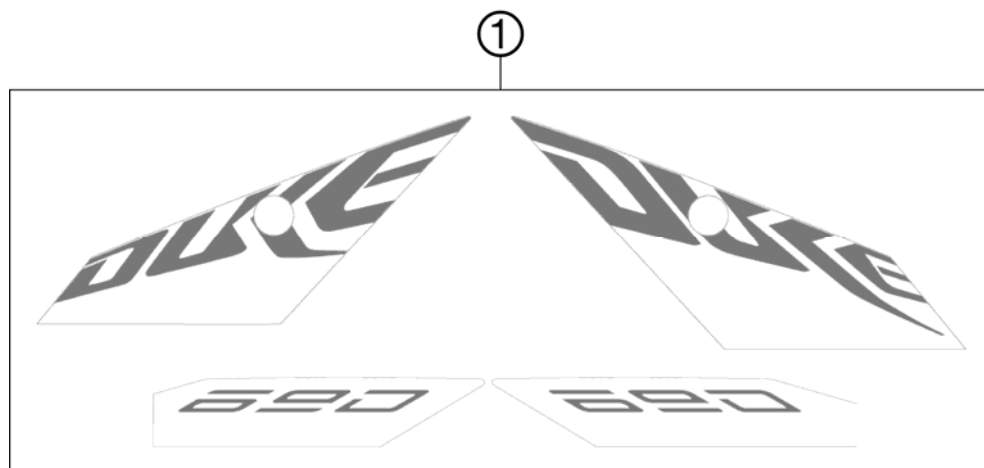
* NEW PART

X AS REQUIRED

DECAL

690 DUKE BLACK EU 2011

FIG	PART NUMBER	DESCRIPTION	QTY
1	75608399000	DECAL SET 690 DUKE BLACK 09	1



117560830 / C117560830

* NEW PART

X AS REQUIRED

FRONT WHEEL

690 DUKE BLACK EU 2011

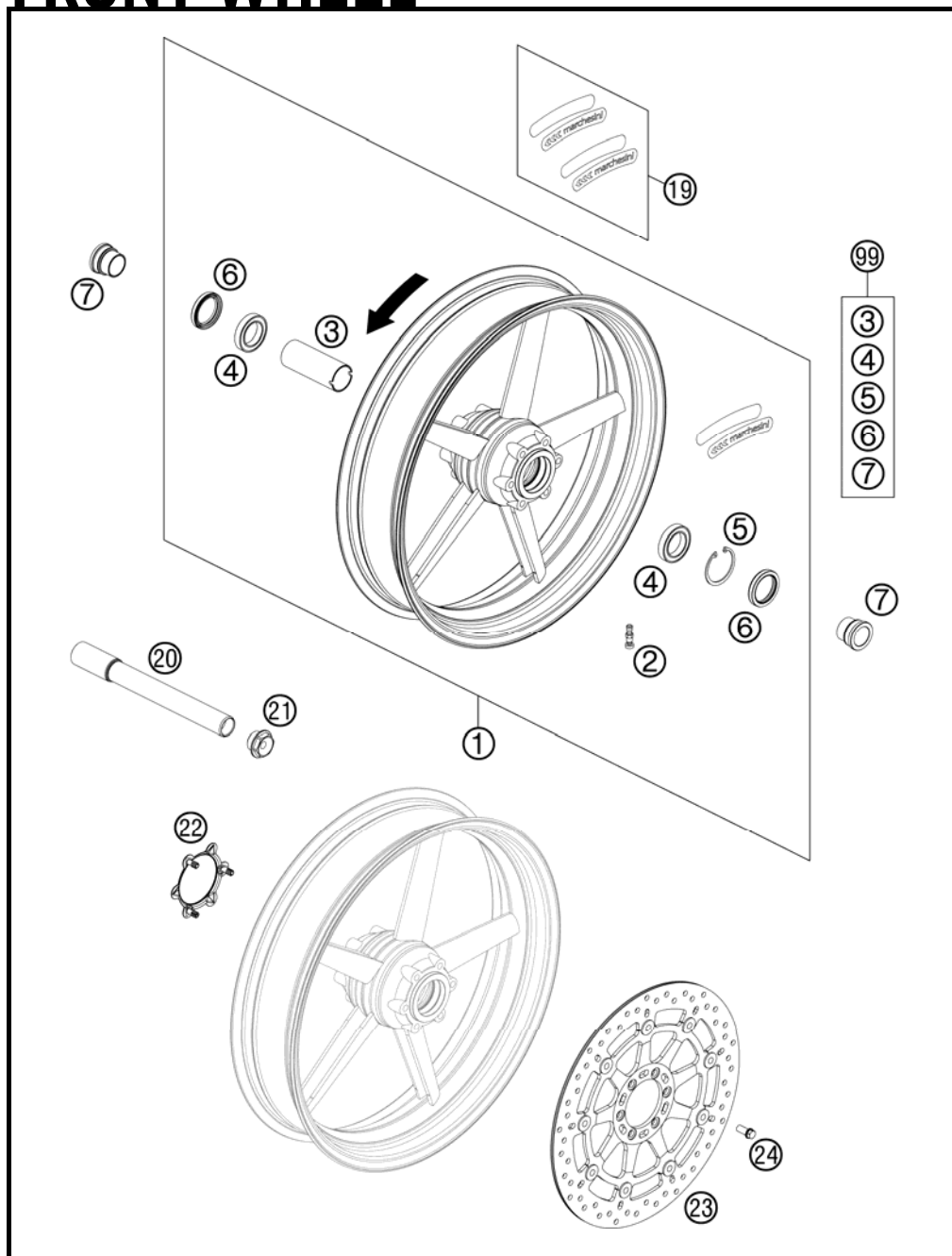


FIG	PART NUMBER	DESCRIPTION	QTY
1	7560900104433	FRONT WHEEL CPL. 3,5X17" 07	1
2	58709076000	VALVE CPL. BREMBO DUKE 2003	1
3	61009011000	BEARING SPACER TUBE FRONT 05	1
4	0625069068	GR.BALL BEAR.6906 DDU2CG23S6NM	2
5	0472048175	LOCK RING DINO472-48X1,75	1
6	0760354771	SHAFT SEAL RING 35X47X7 TC	2
7	54809012000	SPACER BUSHING F. FR. WHEEL 03	2
19	00050000120	STICKER MARCH. 2L/S+2R/S WHITE	1
20	75009081000	WHEEL SPINDLE FRONT D=26MM 07	1
21	54809082000	SPINDLE SCREW M24X1,5 WS=27 03	1
22	75009001010	PLASTIC COVER RING	1
23	75609060000	BRAKE DISC D=320MM 07	1
24	61009062018	SPECIAL SCREW M8X18 05	6
99	75609015000	FRONT WHEEL REP. KIT	1

117560910 / C117560910

* NEW PART

X AS REQUIRED

REAR WHEEL

690 DUKE BLACK EU 2011

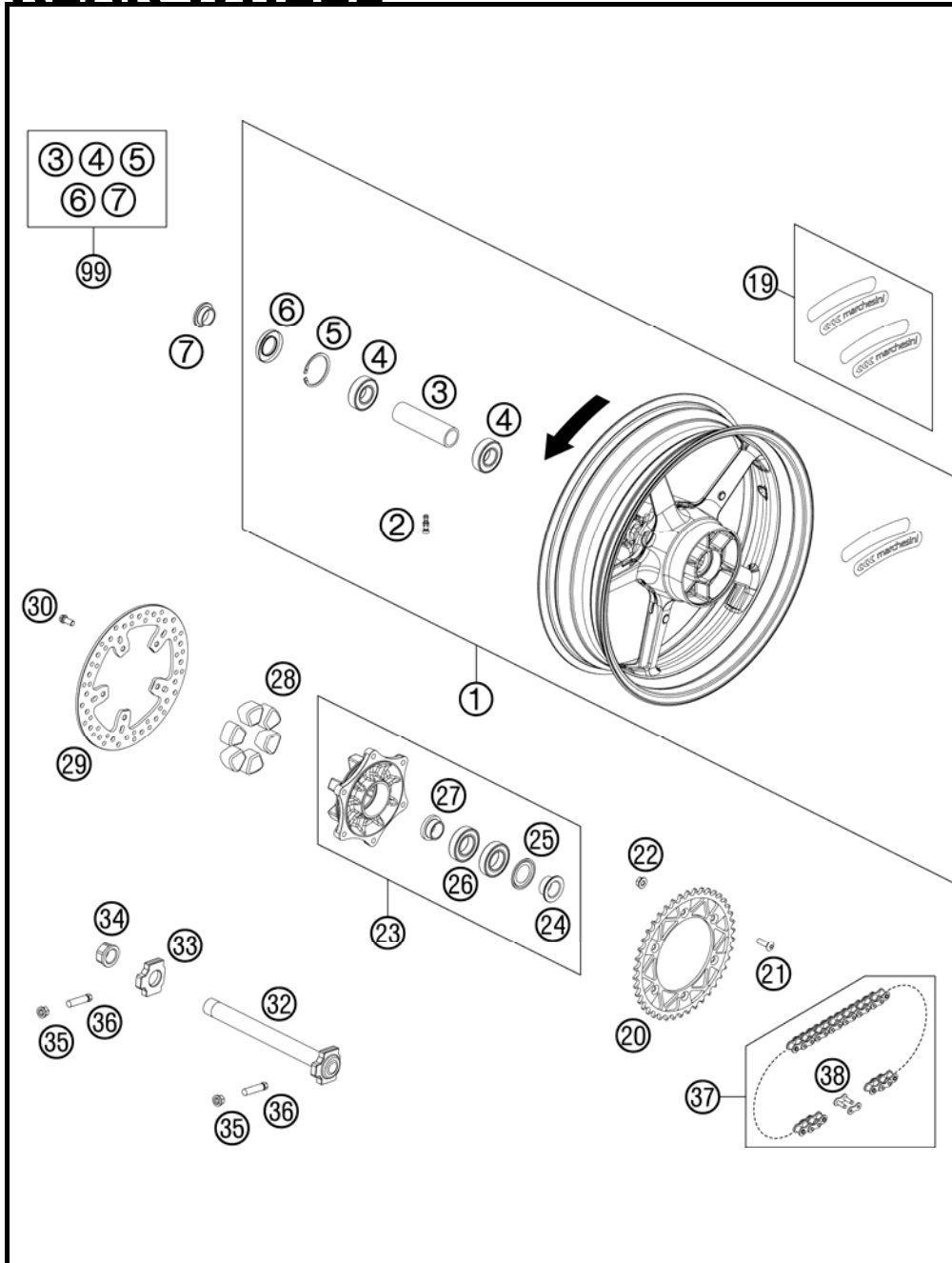


FIG	PART NUMBER	DESCRIPTION	QTY
1	7561000104433	REAR WHEEL CPL. 5X17" 07	1
2	58709076000	VALVE CPL. BREMBO DUKE 2003	1
3	75610011000	BEARING SPACER TUBE REAR 07	1
4	0625062052	GR.BALL BEAR. 6205-2RSHC3HMTF7	2
5	0472052200	CIRCLIP DIN0472-52X2	1
6	0760305271	SHAFT SEAL RING 30X52X7	1
7	60010013000	SPACER BUSH. REAR WHEEL R/S 03	1
19	00050000120	STICKER MARCH. 2L/S+2R/S WHITE	1
20	75010051040	SPROCKET STEALTH 40T 07	x
20	75010051042	SPROCKET STEALTH 42T 07	x
21	0019080266S	COUNTER-SUNK SCREW ISA45 M8X26	6
22	06923080003	HEXAGON NUT DIN EN1661 M8 SW13	6
23	7501005004491	SPROCKET SUPPORT CPL. SILVER	1
24	60110012000	SPACER BUSH. SPROCKET SUPP. 06	1
25	60110016000	NILOS RING 6006AV	1
26	0625060060	BALL BEARING 6006 DDU2CG23S6NM	2
27	60110014000	SPACER BUSH. SPR. SUPP. IN. 06	1
28	54610459000	RUBBER DAMPING BLOCK '91	6
29	61010060000	BRAKE DISK REAR D=240MM 05	1
30	61009062018	SPECIAL SCREW M8X18 05	5
32	75010085144	WHEEL SPINDLE REAR CPL.	1
33	60010084000	CHAIN TENSIONER R/S LC8 03	1
34	60010086000	COLLAR NUT WH. SPINDLE REAR 03	1
35	58414030000	HH COLLAR NUT M10X1,25 WS=13	2
36	50304040100	SCREW M10X1,25X50 WS=10	2
37	76510065116	CHAIN O-RING 116 + RIVET LINK	1
38	76510066000	RIVET LINK FOR 76510065116	1
99	75610015000	REAR WHEEL REP. KIT	1

117561010 / C117561010

* NEW PART

X AS REQUIRED

WIRING HARNESS

690 DUKE BLACK EU 2011

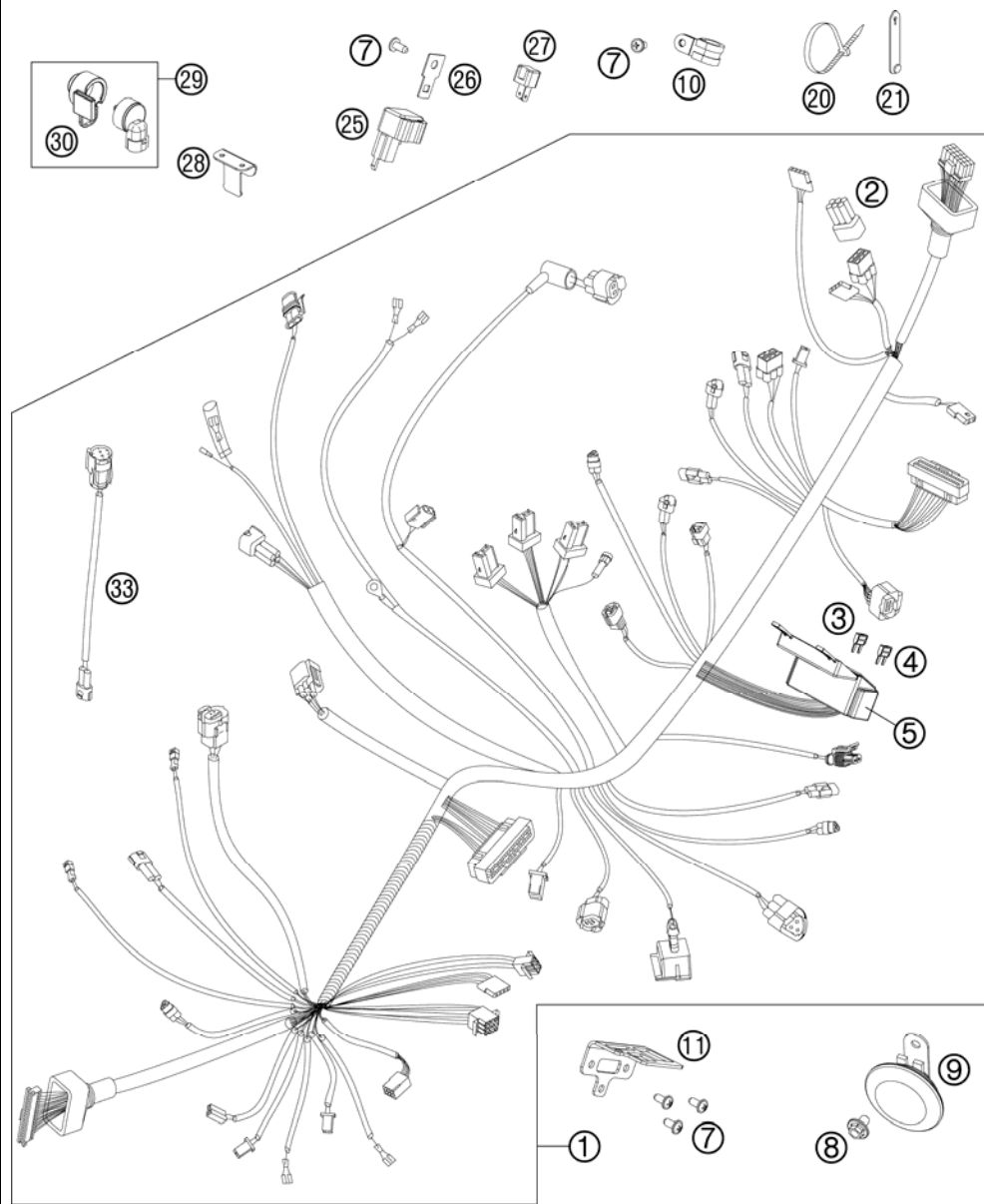


FIG	PART NUMBER	DESCRIPTION	QTY
1	75611175000	WIRING HARNESS	1
2	000700000BH	SPARE CONNECTOR BH 6-PINS	1
3	75011088010	FUSE 10A 07	x
4	75011088015	FUSE 15A 07	x
5	75011087050	RUBBER CASING FOR FUSE BOX	1
7	0081050121	SCREW FOR PLASTIC K50X12 T20	5
8	0024060106	HH COLLAR SCREW M6X10 TX30	1
9	62511060000	DC HORN 05	1
10	49007439000	CLAMP RSGU 15/12	1
11	75611083000	BRACKETS FOR PLUGS 08	1
20	44011076140	CABLE TIE 140/2,5MM BLACK	x
20	44011076200	CABLE TIE 200/3,6MM BLACK	x
20	44011076305	CABLE TIE 300/4,8MM BLACK	x
21	60011093045	RUBBER CABLE TIE 45MM 03	x
21	60011093075	RUBBER CABLE TIE 75MM 03	x
25	44611207200	FLASHER UNIT 97	1
26	58211031100	BRACKET FOR FLASHER RELAY	1
27	58411096100	DIODE S3H-15 97	1
28	75611046000	BRACKET MAP-SELECT-SWITCH	1
29	76511010000	MAP-SELECT-SWITCH	1
30	76511010050	RUBBER HOLDER F. MAP-SEL-SWIT.	1
33	75011047000	AMBIENT-AIR TEMP. SENSOR CABLE	1

117561110 / C117561110

* NEW PART

X AS REQUIRED

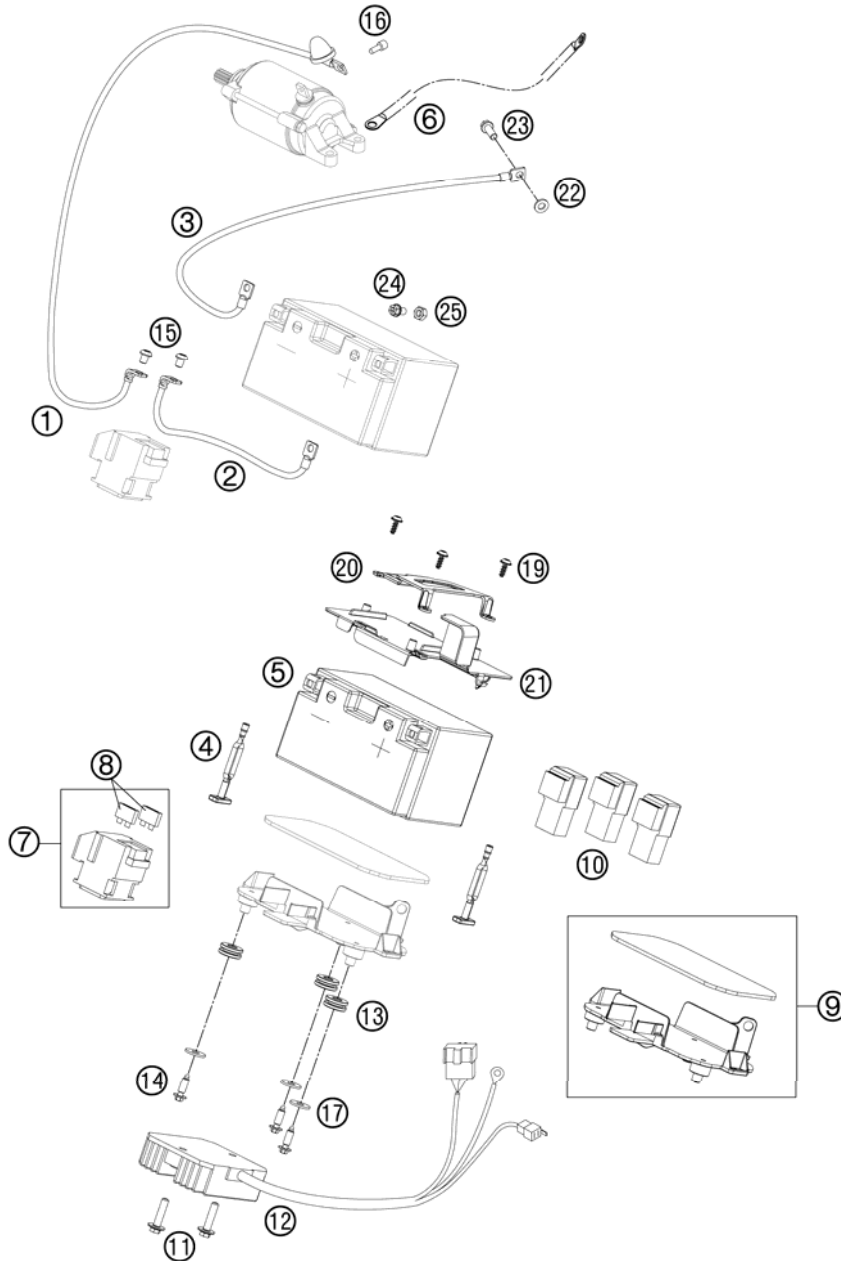


FIG	PART NUMBER	DESCRIPTION	QTY
1	75011059000	STARTER CABLE 07	1
2	75011059150	BATTERY-CABLE L=170MM	1
3	75011097000	GROUND CABLE 07	1
4	75011054005	BRACKET RUBBER FOR BATTERY	2
5	58411053100	BATTERY 12V 8,6AH 03	1
6	61011097000	GROUND CABLE L=450MM 05	1
7	60011058000	STARTER RELAY 03	1
8	58011109130	FUSE 30 A	2
9	75011154033	BATTERY SUPPORT CPL.	1
10	61111057000	RELAY CM1A-R-12V-H80 07	3
11	0024060273	COLLAR SCREW M6X27 TX	2
12	60011034100	VOLTAGE REGULATOR	1
13	75011054010	DECOUPLING RUBBER	3
14	0017060203	EJOT PT SCREW K6X20 WS=6	3
15	0902060083	AH OVAL SCREW ISO 7380 M 6X8	2
16	0912050083	AH SCREW DIN 912 M 5X8	1
17	0021060003	WASHER DIN9021-A 6,4	3
19	0081050121	SCREW FOR PLASTIC K50X12 T20	3
20	75011054130	ECU MOUNTING BRACKET	1
21	75011054120	BATTERY SUPPORT - TOP PART	1
22	58411098100	CONTACT WASHER M6 VSV-K6	1
23	0025060166	HH COLLAR SCREW M6X16 TX30	1
24	0025060106	HH COLLAR SCREW M6X10 TX30	2
25	0934060003	HEXAGON NUT DIN0934-M 6	2

117561130 / C117561130

* NEW PART

X AS REQUIRED

HAND BRAKE CYLINDER

690 DUKE BLACK EU 2011

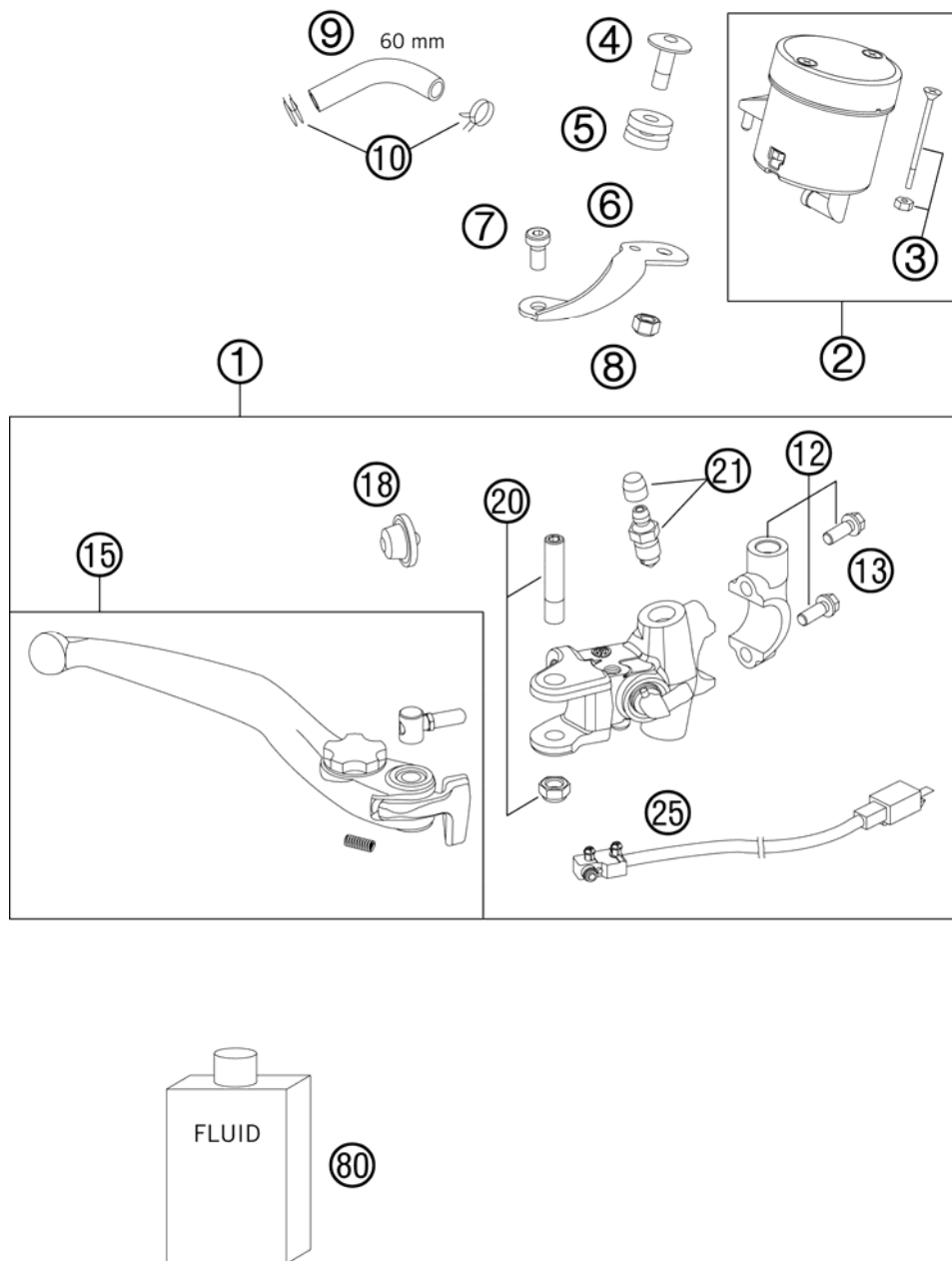


FIG	PART NUMBER	DESCRIPTION	QTY
1	75613001000	HAND BRAKE CYLINDER 07	1
2	61013009002	BRAKE FLUID RESERVOIR CPL.	1
3	61013009003	SCREW + NUT FOR RESERVOIR	2
4	61013013050	SCREW RET.PANEL-RESERVOIR	1
5	61013013000	RUBBER BUSH 05	1
6	61013009001	RET.PANEL FLUID RES. FRONT 05	1
7	61013021000	SCREW RET.PANEL-BRAKE CYLINDER	1
8	61013009004	NUT FOR RESERVOIR	1
9	58007016101	HOSE FOR RESERVOIR 6X1,5	1
10	58007017000	YDNAC CLAMP 10101 (9MM)	2
12	61013005000	CLAMP CPL. 05	1
13	0025060256	HH COLLAR SCREW M6X25 TX30	2
15	62513002044	HAND BRAKE LEVER CPL. 05	1
18	61013008000	RUBBER CUP 05	1
20	61013006000	LEVER SCREW CPL. 05	1
21	60013020000	BLEEDER SCREW WITH CAP	1
25	61011050000	BRAKE LIGHT SWITCH FRONT 05	1
80	00062030000	BRAKE FLUID DOT5.1 0,25L	1

117561310 / C117561310

* NEW PART

X AS REQUIRED

REAR BRAKE CONTROL

690 DUKE BLACK EU 2011

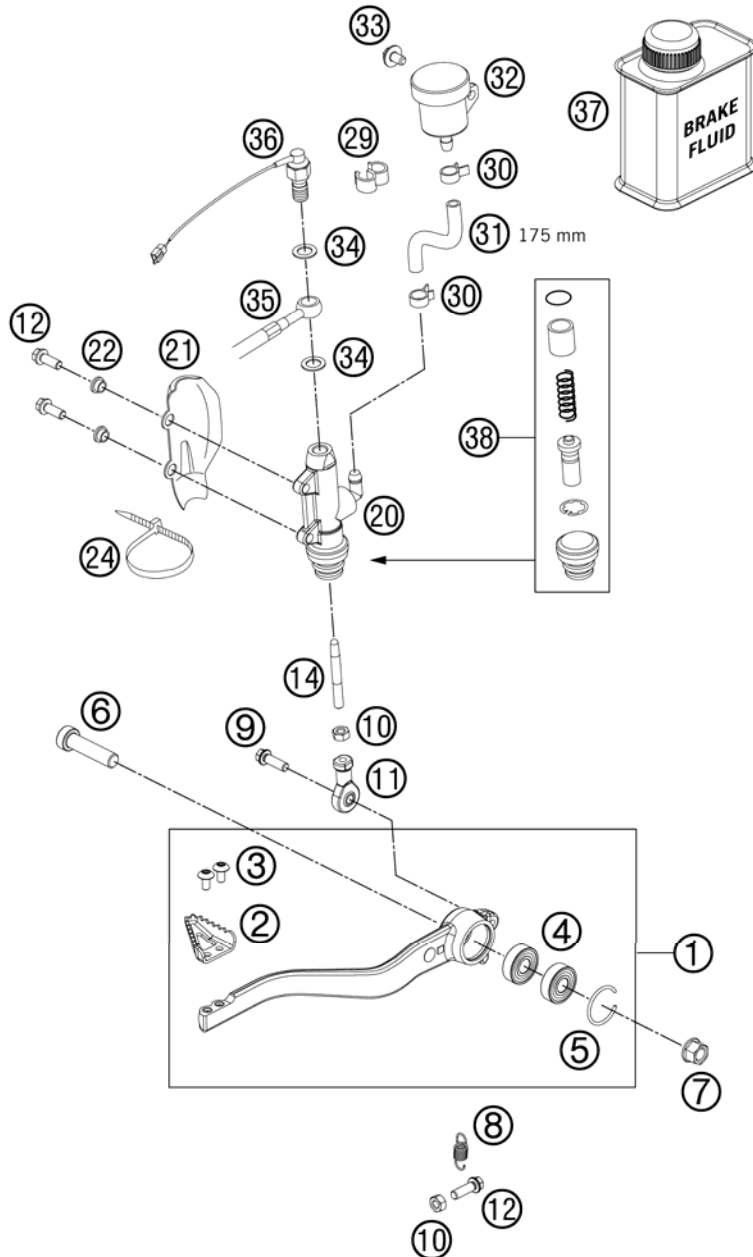


FIG	PART NUMBER	DESCRIPTION	QTY
1	7501305004401	FOOT BRAKE LEVER CPL. 07	1
2	60013051000	STEP PLATE FOOT BRAKE LEVER 03	1
3	58605083010	SCREW TORX M5X10 05	2
4	0625060002	BALL BEARING SKF 6000-2RS1	2
5	0993026500	LOCK RING DIN7993-B26	1
6	0032100406S	AH-COLLAR SCREW M10X40 ISA45	1
7	54630044000	COLLAR NUT M10 WS=13	1
8	61013052000	SPRING FOOT BRAKE LEVER 05	1
9	0025060206S	HH COLLAR SCREW M6X20 TX30	1
10	0934060003	HEXAGON NUT DIN0934-M 6	2
11	54603069000	SWIVEL HEAD M6 FOOT BRAKE LEV.	1
12	59009062019	SPECIAL SCREW M6X19 WS=8 10.9	3
14	54603068000	PRESSURE ROD ALU 250 '90	1
20	54513101044	MAIN BRAKE CYLINDER '89	1
21	54513038000	BRAKE CYL. PROTECTOR "BREMBO"	1
22	50213161000	COLLAR BUSHING	2
24	44011076200	CABLE TIE 200/3,6MM BLACK	1
29	55011022100	CLAMP D=6/8MM, BLACK	1
30	58007017000	YDNAC CLAMP 10101 (9MM)	2
31	58007016101	HOSE FOR RESERVOIR 6X1,5	x
32	54513030044	BRAKE FLUID RESERVOIR '89	1
33	0024060106	HH COLLAR SCREW M6X10 TX30	1
34	0603100141	COPPER GASKET DIN7603-10X14X1	2
35	75013072000	BRAKE HOSE REAR 2007	1
36	50311051100	BRAKE LIGHT SWITCH REAR '98	1
37	00062030000	BRAKE FLUID DOT5.1 0,25L	1
38	54513150000	REPAIR KIT PISTON 13MM	1

117561330 / C117561330

* NEW PART

X AS REQUIRED

BRAKE CALIPER FRONT

690 DUKE BLACK EU 2011

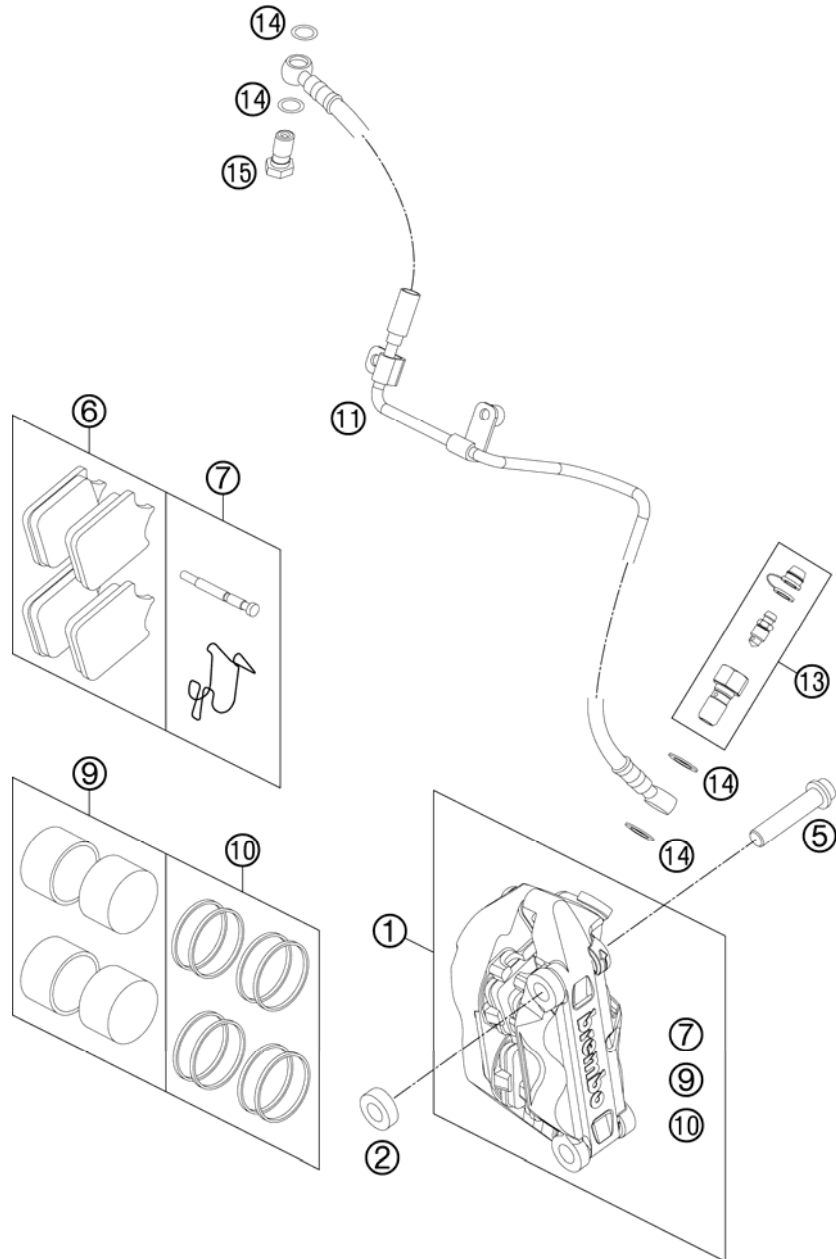


FIG	PART NUMBER	DESCRIPTION	QTY
1	6251311500130	CALIPER L/S BLACK WITHOUT PADS	1
2	6111302200033	SPACER BUSHING 10,1X20X7,5 07	2
5	0035100659	AH-COLLAR SCREW M10X1,25X65	2
6	61013030000	BRAKE PAD FR. TOSHIBA TT2172HH	1
7	61013018000	PINS + SPRINGS F. BRAKECALIPER	2
9	61013019000	BRAKE PISTONS 4X	1
10	61013019100	REP.KIT SEALING RINGS 4X	1
11	75613112000	BRAKE PIPE FRONT CPL. 08	1
13	62513020000	BLEEDER SCREW CPL. 05	1
14	0603100141	COPPER GASKET DIN7603-10X14X1	4
15	54813020100	HOLLOW SCREW BLACK M10X1X19	1

117561360 / C117561360

* NEW PART

X AS REQUIRED

BRAKE CALIPER REAR

690 DUKE BLACK EU 2011

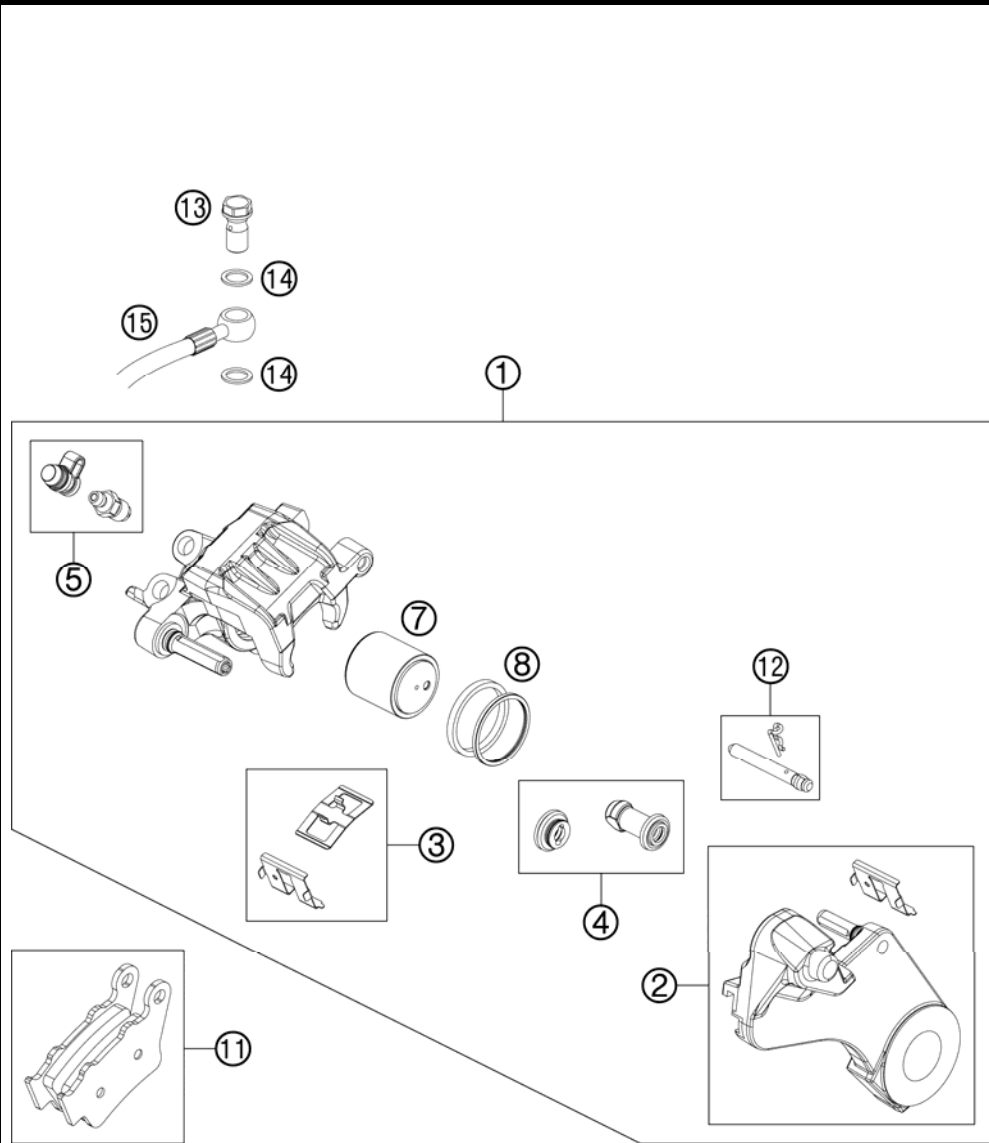


FIG	PART NUMBER	DESCRIPTION	QTY
1	7501308010130	BRAKE CALIPER BL. WITHOUT PADS	1
2	7501307500030	BRAKE CALIPER SUPPORT REAR 08	1
3	54613311200	RETAINING SPRING SET	1
4	54613218000	CUP SET SHORT	1
5	61013020200	BLEEDER SCREW WITH CAP	1
7	50313083000	BRAKE PISTON 32MM	1
8	50313081000	REPAIR KIT SEALING RINGS 32MM	1
11	75013090000	BRAKE PAD SET REAR SBS-S-40GF	1
12	61013082000	BOLT SET 05	1
13	54813020100	HOLLOW SCREW BLACK M10X1X19	1
14	0603100141	COPPER GASKET DIN7603-10X14X1	2
15	75013072000	BRAKE HOSE REAR 2007	1

117561390 / C117561390

* NEW PART

X AS REQUIRED

LIGHTING SYSTEM

690 DUKE BLACK EU 2011

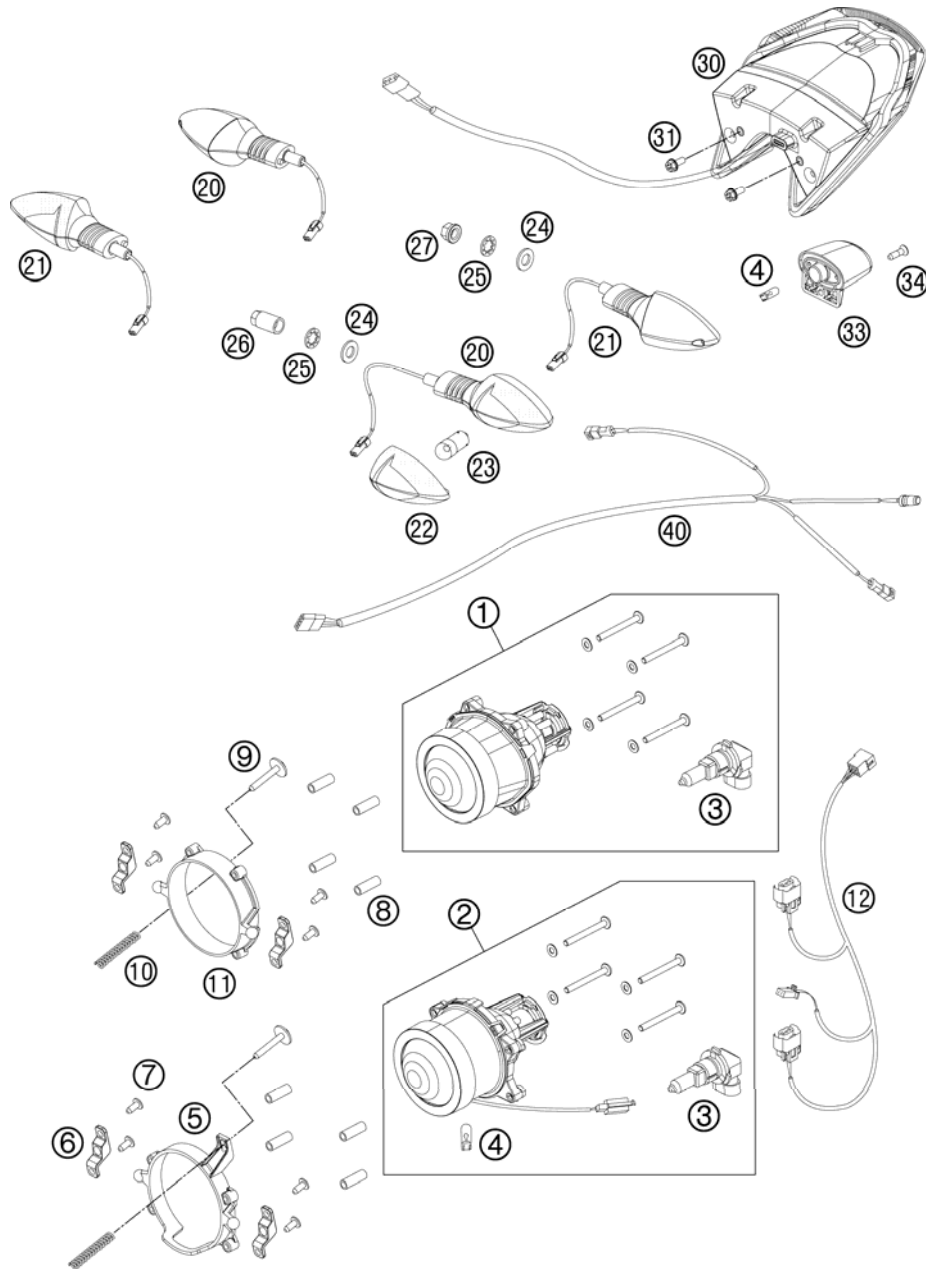


FIG	PART NUMBER	DESCRIPTION	QTY
1*	75614001100	HEADLIGHT LOW BEAM	11
2	75614002000	HEADLIGHT HIGH BEAM	1
3	58714003000	BULB HB3 12V 60W '99	2
4	49011435100	BULB 12V 5W (W2,1X9,5D) PHIL.	2
5	75614008000	BRACKET F. HIGH BEAM	1
6	75614018000	HEADLIGHT BRACKET	4
7	0081050121	SCREW FOR PLASTIC K50X12 T20	8
8	75614009000	DISTANCE BUSHING 5,5X8X23,4 MM	8
9	58714001010	SCREW FOR PLASTIC D=5X35	2
10	58714010050	SPRING F. HEAD LIGHT ADJ. '99	2
11	75614007000	BRACKET F. LOW BEAM	1
12	75611079000	WIRING HARNESS HEADLIGHT	08
20	60114025000	FLASHER CPL.FRONT L/S REAR R/S	2
21	60114026000	FLASHER CPL.FRONT R/S REAR L/S	2
22	60114028000	FLASHER LENS L/S R/S TRANSP.06	4
23	60114027000	BULB 12V ORANGE (RY10W)	4
24	0433100003	WASHER 18x10,5x1,6	4
25	0797100003	LOCK WASHER DIN6797-J10,5 ZI	4
26	75014030000	FLASHER NUT M10X1,25 WS12	2
27	58414030000	HH COLLAR NUT M10X1,25 WS=13	2
30	75014040000	REAR LIGHT LED	07
31	0025050126	HH COLLAR SCREW M5X12 TX30	2
33	75014047000	LICENSE PLATE ILLUMINATION	07
34	0081250181	SCREW FOR PLASTIC 50X18 T20	1
40	75011076000	WIRING HARNESS REAR	07

117561410 / C117561410

* NEW PART

X AS REQUIRED

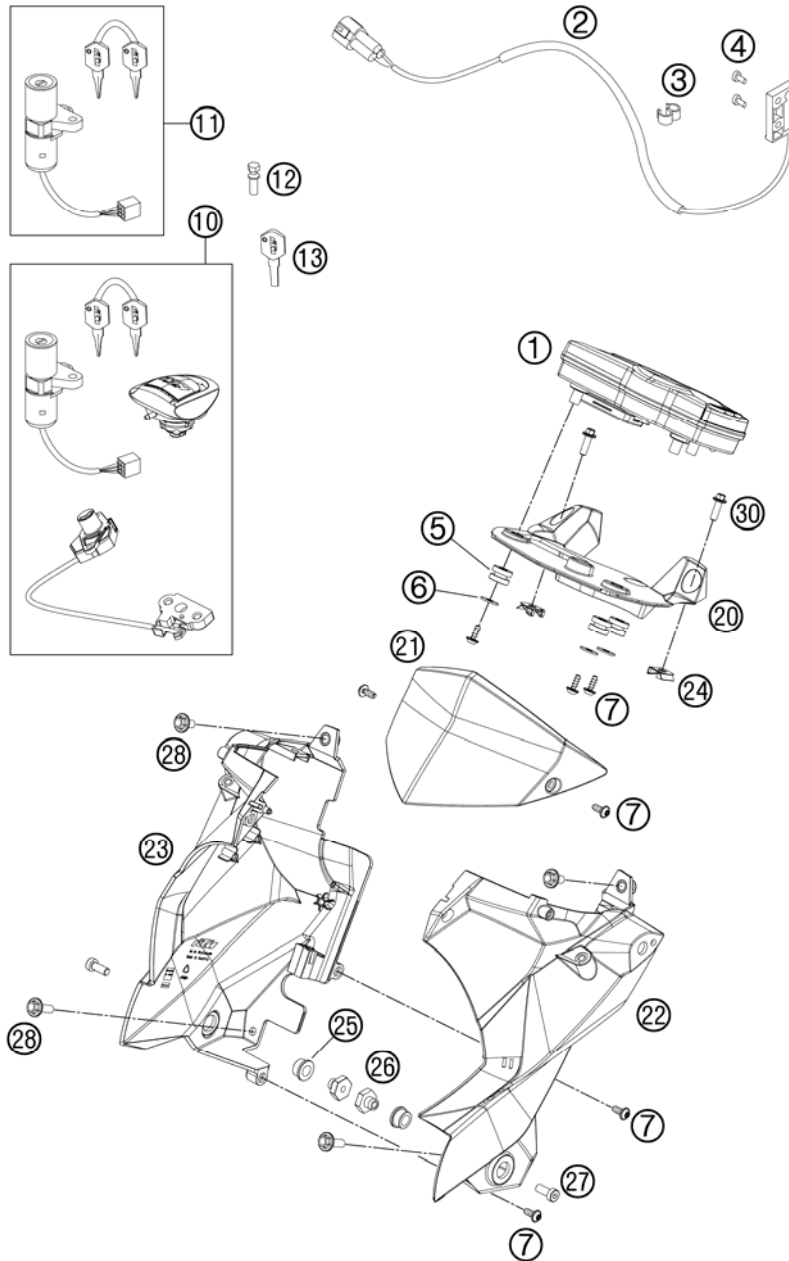


FIG	PART NUMBER	DESCRIPTION	QTY
1	75014069100	SPEEDOMETER KM/H 17" 10 REPROGRAMMABLE KM/H - MPH	1
2	62514068200	SPEEDOMETER SENSOR 10	1
3	60111094000	CLAMP 5/7 MM 06	2
4	0084040083	CYL.HEAD SCREW DIN0084-M 4X8 A	2
5	58214069051	RUBBER GROMMET 16X10,8X3 02	3
6	0021050003	WASHER DIN9021-A 5,3	3
7	0081050121	SCREW FOR PLASTIC K50X12 T20	7
10	75011066144	KEY-SET 07	1
11	75011166000	IGNITION LOCK	1
12	60011064000	TAMPERPROOF SCREW F. IGN. LOCK	2
13	40011166100	KEY BLANK LC4/DUKE/LC8	x
20	75614060000	SPEEDOMETER BRACKET	1
21	75608065000	WINDSHIELD 08	1
22	75614062000	MASK BRACKET L/S	1
23	75614063000	MASK BRACKET R/S	1
24	54603048200	RANGE CHANGE METAL NUT M5	2
25	75608006000	RUBBER BUSHING 9X17X8,5	2
26	75608006050	THREADED BUSHING M6 SW17	2
27	0012060164	AH SCREW DIN6912 M6X16 SL	2
28	0024060206	HH COLLAR SCREW M6X20 TX30	4
30	0025050166	HH COLLAR SCREW M5X16 TX30	2

117561430 / C117561430

* NEW PART

X AS REQUIRED

0
OHNE ABBILDUNG
WITHOUT ILLUSTRATION

1
TECHNISCHE DOKUMENTATION
TECHNICAL DOCUMENTATION
DOCUMENTACION TECNICA
DOCUMENTATION TECHNIQUE
NOTE TECNICHE

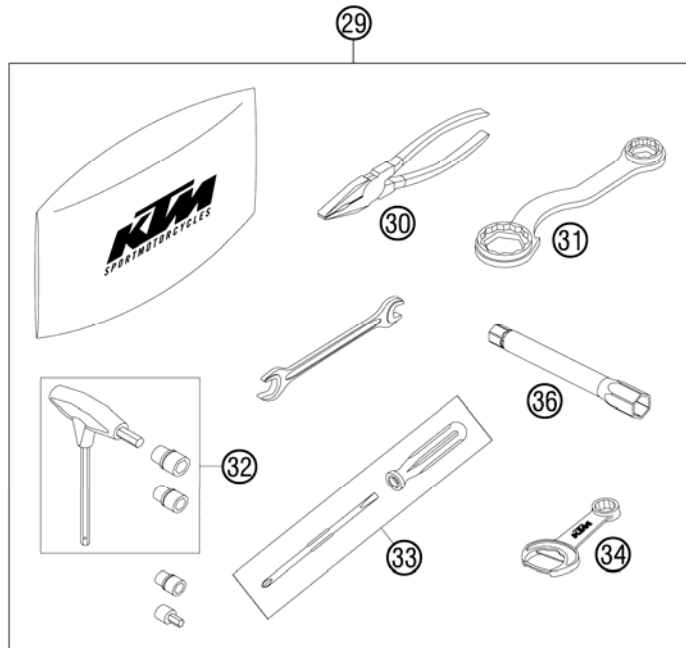
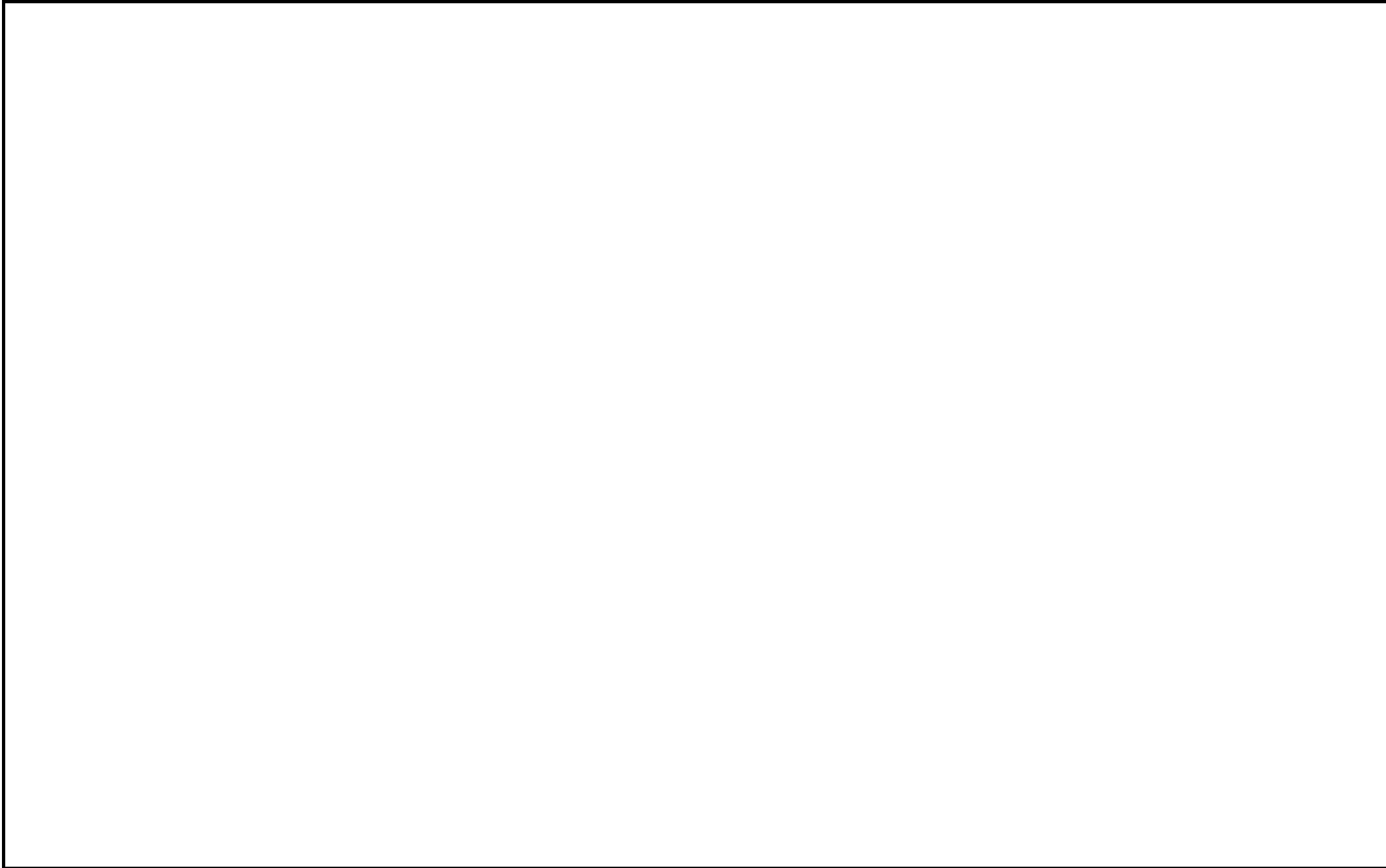


FIG	PART NUMBER	DESCRIPTION	QTY
0	00063004202	PRINT LABEL 60X51 MM	1
0	00063099111	BAG FOR INSTRUCTION MANUAL	1
0	0021060003	WASHER DIN9021-A 6,4	4
0	0024060156	HH COLLAR SCREW M6X15 TX30	4
0	0125050003	WASHER DIN0125-A 5,3	2
0	0966050163	OVAL HEAD SCREW DIN0966-M 5X16	2
0	0984060203	AH SCREW DIN6912-M 6X20 8.8	4
0	0985050003	SELF LOCKING NUT DIN0985-M 5	2
0	0985060003	SELF LOCK. NUT DIN0985-M 6	4
0	312305	DOCUMENTS BAG 2006	1
0	312313	KTM BALLPOINT PEN ORANGE	1
0	3210040	CUSTOMER WELCOME LETTER	1
0	40006006000	WASHER 6MM	2
0	58412040050	SUPPORT FOR MIRROR LC4 '98	2
0	58412080000	REFLECTOR RED LC4 '98	1
0	58412080050	BRACKET FOR REFLECTOR	1
0	60003040033	FOOTPEG L/S+R/S CPL. 03	1
0	60012081200	LICENCE FITTING 06	1
0	61112040000	REVIEW MIRROR L/S 07	1
0	61112041000	REVIEW MIRROR R/S 07	1
0	75001094010	BUSHING MUD FLAP 07	2
0	75001094020	COLLAR BUSH 6,25X9,2X17X11 08	2
0	75608020000	FRONT SPOILER-CENTER PART	1
0	75608020010	RUBBER SLEEVE 9X17X7MM 08	2
0	7560802300030A	FRONT SPOILER L/S BLACK	1
0	7560802400030A	FRONT SPOILER R/S BLACK	1
0	75608067000	INSULATING DISK 6,2X16X3	2
1	3211664EN	OWN. MANUAL 690 DUKE 2011	1
29	75029099100	TOOL SET 08	1
30	53012028200	GRIP ORANGE B&F	1
31	50329080100	WRENCH SW=17/21/27/32 B&F	1
32	60029070200	T-WRENCH WS=6/8/10 TX=45 B&F	1
33	53012024100	SCREW DRIVER L=105MM	1
34	50329071100	WRENCH WS=13 B&F + OPENER	1
36	75029072000	SPARK PLUG WRENCH	1

117562000 / C117562000

* NEW PART

X AS REQUIRED







KTM-Sportmotorcycle AG
A-5230 Mattighofen
www.ktm.at

KTM Group Partner



3CF9703K3EN



Art.Nr.: 3CF9703K3EN 10/2010