

# 690 DUKE WHITE EU 2008

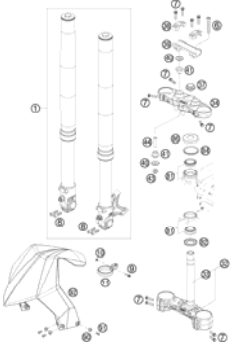
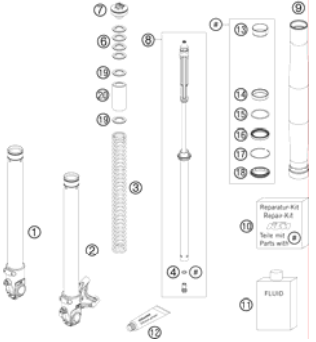

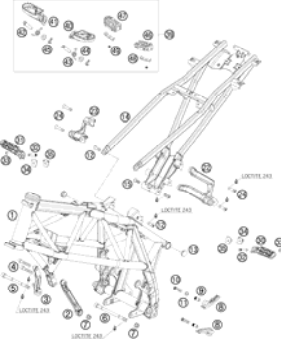
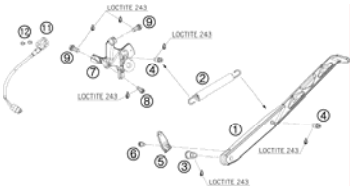
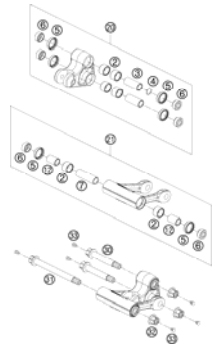
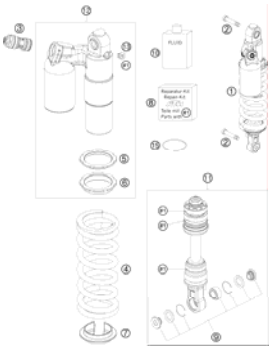
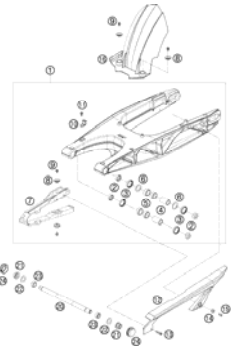
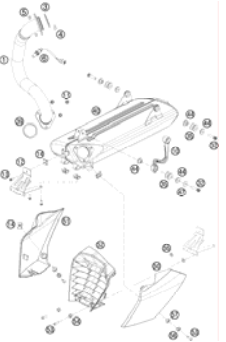
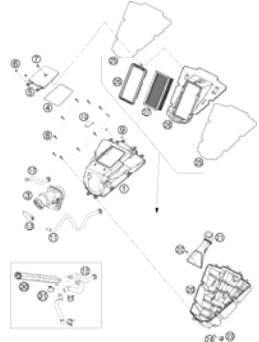
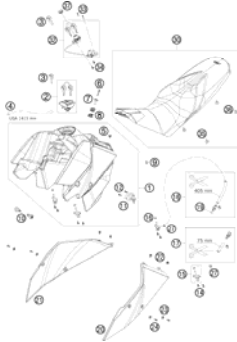
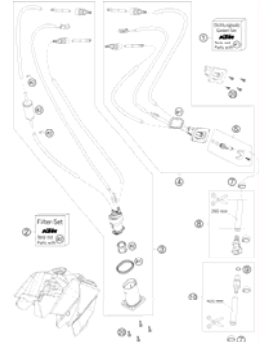
**SPARE PARTS MANUAL: CHASSIS**


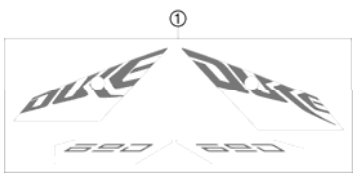
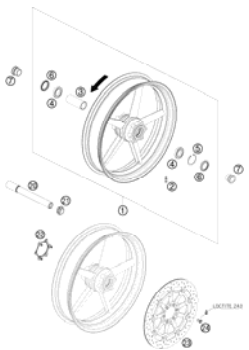
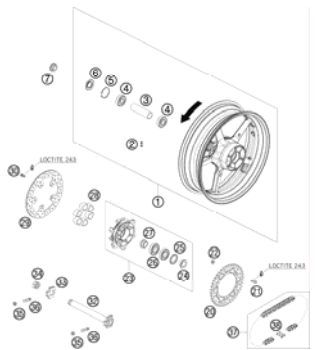
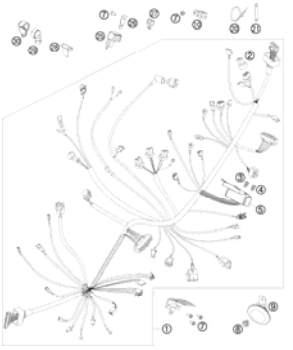
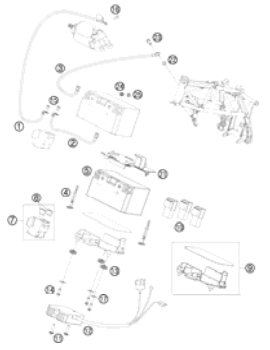
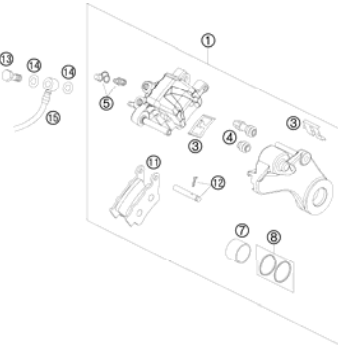
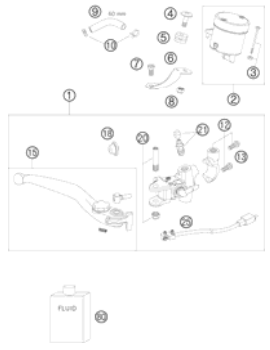

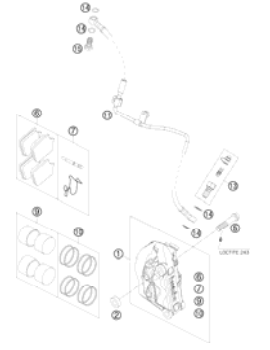
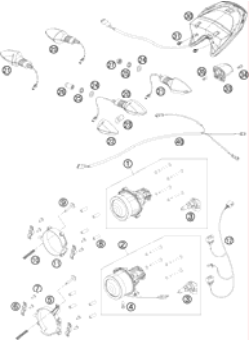
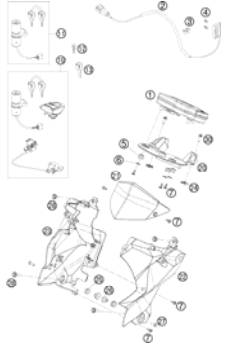
ART.NO.: 3CF9725H7EN

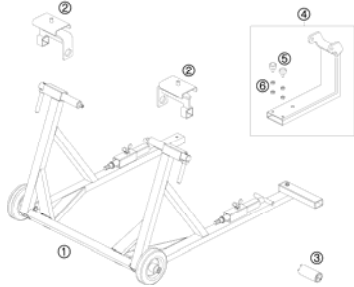
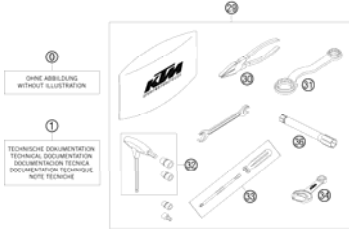
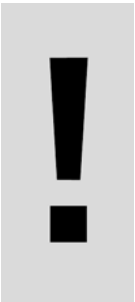
ENGLISH





<p><b>FRONT FORK, TRIPLE CLAMP</b></p>  <p><b>4</b></p>	<p><b>FRONT FORK DISSASSEMBLED</b></p>  <p><b>5</b></p>	<p><b>HANDLEBAR, CONTROLS</b></p>  <p><b>6</b></p>	<p><b>FRAME</b></p>  <p><b>7</b></p>
<p><b>SIDE / CENTER STAND</b></p>  <p><b>8</b></p>	<p><b>PRO LEVER LINKING</b></p>  <p><b>9</b></p>	<p><b>MONOSHOCK</b></p>  <p><b>10</b></p>	<p><b>SWING ARM</b></p>  <p><b>11</b></p>
<p><b>EXHAUST SYSTEM</b></p>  <p><b>12</b></p>	<p><b>AIR FILTER</b></p>  <p><b>13</b></p>	<p><b>TANK, SEAT, COVER</b></p>  <p><b>14</b></p>	<p><b>FUEL PUMP</b></p>  <p><b>15</b></p>

<p><b>MASK, FENDERS</b></p>  <p><b>16</b></p>	<p><b>DECAL</b></p>  <p><b>18</b></p>	<p><b>FRONT WHEEL</b></p>  <p><b>19</b></p>	<p><b>REAR WHEEL</b></p>  <p><b>20</b></p>
<p><b>WIRING HARNESS</b></p>  <p><b>21</b></p>	<p><b>BATTERY</b></p>  <p><b>22</b></p>	<p><b>BRAKE CALIPER REAR</b></p>  <p><b>23</b></p>	<p><b>HAND BRAKE CYLINDER</b></p>  <p><b>24</b></p>
<p><b>REAR BRAKE CONTROL</b></p>  <p><b>25</b></p>	<p><b>BRAKE CALIPER FRONT</b></p>  <p><b>26</b></p>	<p><b>LIGHTING SYSTEM</b></p>  <p><b>27</b></p>	<p><b>INSTRUMENTS / LOCK SYSTEM</b></p>  <p><b>28</b></p>

<p><b>SPECIAL TOOLS</b></p>  <p style="text-align: right;"><b>29</b></p>	<p><b>ACCESSORIES KIT</b></p>  <p style="text-align: right;"><b>30</b></p>		
	<div style="display: flex; align-items: center;">  <p>All information contained is without obligation. KTM-Sportmotorcycle AG particularly reserves the right to modify any equipment, technical specifications, prices, colors, shapes, materials, services, service work, constructions, equipment and the like so as to adapt them to local conditions or to cancel any of the above items, all without previous announcement and without giving reasons. KTM may stop manufacturing certain models without previous notice. KTM shall not be held liable for any deviations of availability and/or ability to deliver, illustrations, descriptions, printing and/or other errors. The illustrated models partly contain extra equipment, which is not applied to standard models. © by KTM-SPORTMOTORCYCLE AG, Mattighofen AUSTRIA; All rights reserved; Reprint, also in extracts, with written allowance of KTM-SPORTMOTORCYCLE AG, Mattighofen only.</p> </div>		

# FRONT FORK, TRIPLE CLAMP

690 DUKE WHITE EU 2008

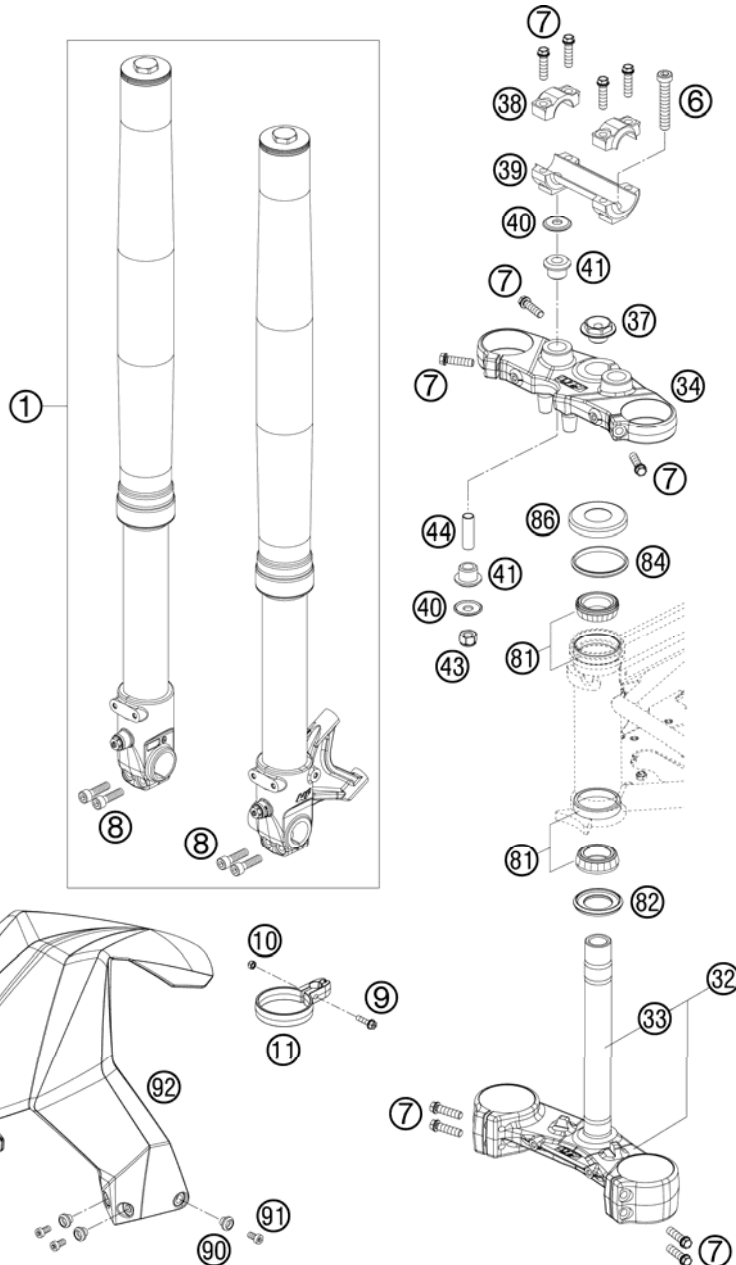


FIG	PART NUMBER	DESCRIPTION	QTY
1	14187D09	FORK WP USD 48MM DUKE 08	1
6	0012100603	AH SCREW DIN6912-M10X60	2
7	0025080306	HH COLLAR SCREW M8X30 TX40	11
8	0912080303	AH SCREW DIN0912-M 8X30	4
9	0025050206	HH COLLAR SCREW M5X20 TX30	1
10	0985050003	SELF LOCKING NUT DIN0985-M 5	1
11	75001070000	CLAMP BRAKE HOSE 07	1
32	7500103203201S	BOTTOM TRIPLE CLAMP CPL. 07	1
33	60001033000	FORK TUBE LC8 ADV 03	1
34	7500103403201S	TOP TRIPLE CLAMP 54MM 07	1
37	54801036000	STEER.HEAD SCREW M20X1,5 WS=27	1
38	5900103830001S	HANDLEBAR CLAMP 28MM 07	2
39	5900103920001S	HANDLEBAR SUPPORT 28MM 07	1
40	56401042000	WASHER 10,5X32X2	4
41	56401040000	RUBBER BUSHING	4
43	0982100003	SELF LOCK.NUT DIN0982-M10 HIGH	2
44	61001041000	SPACER TUBE 10,2X12X38 05	2
81	54201081100	TAPERED ROLLER BEARING CPL. 06	2
82	54601084100	O-RING SUPPORT W. SEALING LIP	1
84	54601184000	STEERING HEAD GASKET TOP	1
86	61001086000	STEERING HEAD COVER 05	1
90	75001094010	BUSHING MUD FLAP 07	6
91	0012060123	AH SCREW DIN6912 M6X12	6
92	7560801000040A	FENDER FRONT BLACK MET. 08	1

087560110 / C087560110

\* NEW PART

X AS REQUIRED

# FRONT FORK DISSASSEMBLED

690 DUKE WHITE EU 2008

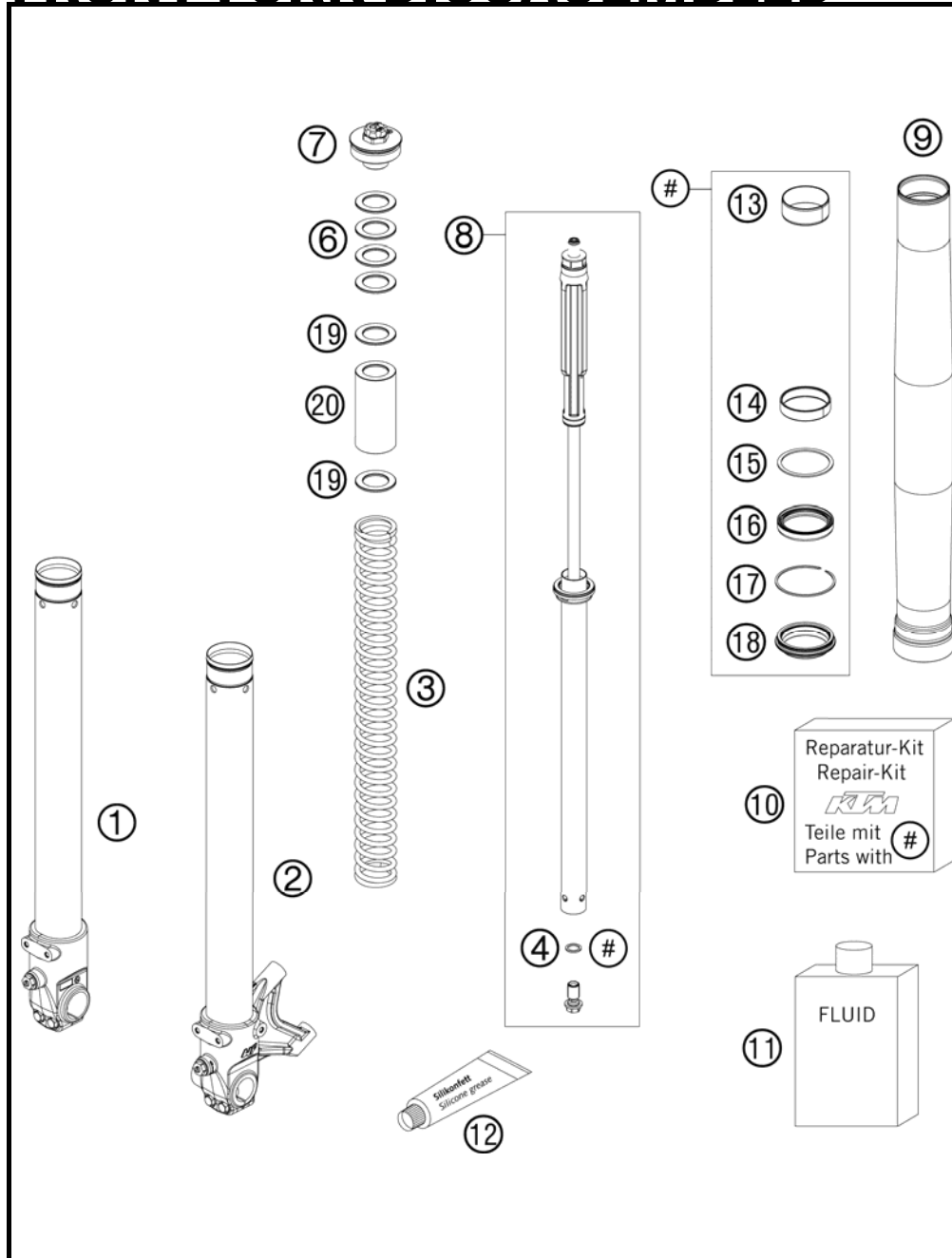


FIG	PART NUMBER	DESCRIPTION	QTY
1	48600536S1	AXLE CLAMP R/S CPL. 07	1
2	48600535S1	AXLE CLAMP L/S CPL. 07	1
3	91410063S	SPRING D43.2 L250 7.5N/MM D5.0	2
4	46810146	COPPER WASHER 12X16X1,5	2
6	48600036	SPACER 42X26,5X2,5	2
6	48600037	SPACER 42X26,5X5	2
6	48600038	SPACER 42X26,5X10	2
6	48600053	SPACER 42X26,5X1,5	2
7	48600558S	SCREW CAP M51X1,5 CPL. 07	2
8	48600678S1	CARTRIDGE CPL. 690 DUKE 2008	2
9	48600712	OUTER TUBE L610 D54/D60 2L ROA	2
10	R14011	REPAIR-KIT GASKET 05	1
11	48600401S1	FORK OIL SAE5 5L 2005	1
12	T511	SILICONE GREASE F. DUST STRI	1
13	48600428	DU-BUSH D47XD49X20DDL02	2
14	48600429	DU-BUSH D48XD52X12DDL02	2
15	48600013	SUPPORT RING 50 X 57,6 X 1,5	2
16	48600347	OIL SEAL RING 48X57,8X9,5 03	2
17	48600070	LOCK WASHER SB58	2
18	48600400	DUST CAP D=48 58,4X11,8	2
19	48600458	SPACER 43X35X1,5	4
20	48600579	SPACER ALU D42 X 85	2

087560130 / C087560130

\* NEW PART

X AS REQUIRED

# HANDLEBAR, CONTROLS

690 DUKE WHITE EU 2008

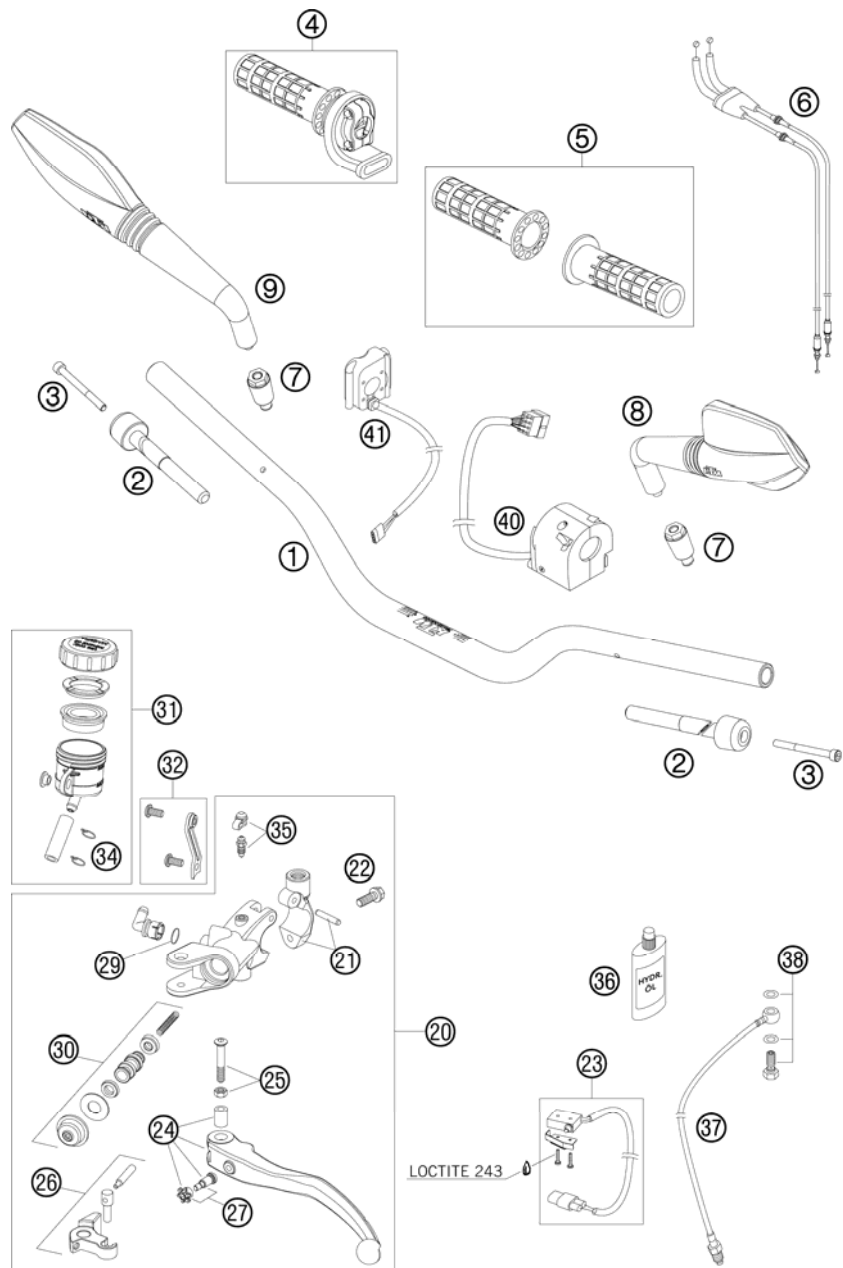


FIG	PART NUMBER	DESCRIPTION	QTY
1	75002001000	HANDLEBAR D=28MM	07
2	61002004000	VIBRATIONS ABSORBER	05
3	0912060653	AH SCREW DIN0912-M 6X65	2
4	75002010000	THROTTLE GRIP CPL.	07
5	58302021100	GRIPP SET	1
6	75002091000	THROTTLE CABLE	07
7	58412040050	SUPPORT FOR MIRROR LC4 '98	2
8	61112040000	REVIEW MIRROR L/S	07
9	61112041000	REVIEW MIRROR R/S	07
20	61002030000	MASTER CYLINDER CPL.	05
21	61002044000	CLAMP MIRROR WITH PIN	1
22	0015060163	HH COLLAR SCREW M 6X16 WS=8	1
23	61011049000	CLUTCH SWITCH	05
24	61002031000	CLUTCH LEVER CPL.	05
25	61002038000	LEVER SCREW CPL.	05
26	61002056000	ROCKER CPL.	05
27	61002043000	ADJUSTING SCREW CPL.	1
29	61002051000	O-RING ANGLE PIECE	1
30	61002032000	REP.SET PISTON D=13	05
31	61002055000	RESERVOIR CPL.	05
32	61002055050	BRACKET AND SCREWS F. RESERV.	1
34	58007117000	YDNAC-CLAMP 10107 10MM	2
35	61002054000	BLEEDER SCREW WITH CAP	1
36	50302036200	OIL FOR HYD. CLUTCH 75ML	1
37	75632063000	CLUTCH PIPE SM PRESTIGE	07
38	59032062000	HOLLOW SCREW + COPPER GASKET	1
40	61011070000	LIGHT SWITCH	05
41	58411074100	START-STOP SWITCH AD LC4	02

087560210 / C087560210

\* NEW PART

X AS REQUIRED



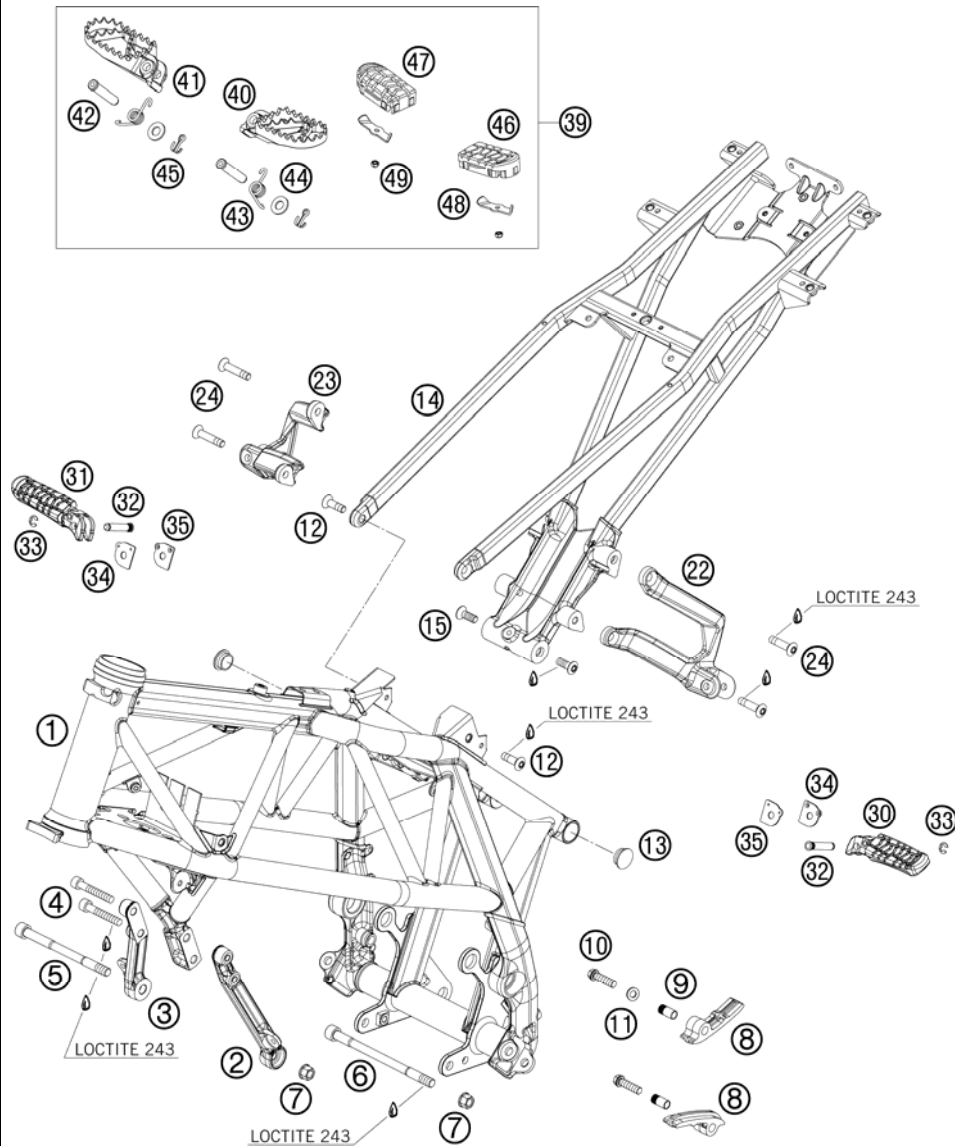


FIG	PART NUMBER	DESCRIPTION	QTY
1	7500300120033	FRAME "EH08" BLACK MATT 08	1
2	7500300104901	CONNECTION BRACKET ENG. L/S 07	1
3	7500310104901	CONNECTION BRACKET ENG. R/S 07	1
4	0912080503	AH SCREW DIN912 M8X50	2
5	75603015000	SPECIAL SCREW M10X129 HEX8 08	1
6	75003014000	SCREW	1
7	54630044000	COLLAR NUT M10 WS=13	2
8	54804067000	CHAIN SLIDING PIECE 03	2
9	51103053051	BUSHING 8,2X10X20	2
10	0025080306	HH COLLAR SCREW M8X30 TX40	2
11	0125080003	WASHER DIN0125-A 8,4	1
12	0019080206S	FLAT HEAD SCREW M. ISA45 M8X20	2
13	61003088000	PLUG SFL28 05	2
14	7500300200033	SUB FRAME BLACK MATT	1
15	0019100289S	COUNTERSUNK SCREW ISA45 M10X28	2
22	7560304800001S	FOOTREST BRACKET REAR L/S	1
23	7560304900001S	FOOTREST BRACKET REAR R/S	1
24	0019080306S	COUNTER-SUNK SCREW ISA45 M8X30	4
30	60003050000	FOOTREST CPL. L/S REAR 03	1
31	60003051000	FOOTREST CPL. R/S REAR 03	1
32	60003044000	BOLT FOR FOOTREST REAR 03	2
33	0799060003	TAB WASHER DIN6799-RS 6,0	2
34	60003052000	ENGAGE PANEL FOOTREST R/S 03	2
35	60003152000	ENGAGE PANEL FOOTREST L/S 03	2
39	60003040033	FOOTREST L/S+R/S CPL. 03	1
40	59003040250	FOOT PED L/S SILVER 02	1
41	59003041250	FOOT PED R/S SILVER 02	1
42	54803044000	BOLT FOR FOOT PED 03	2
43	54603041000	FOOTREST SPRING L/S & R/S	2
44	0125100003	WASHER DIN0125-A10,5	2
45	0094032253	PIN DIN0094-3,2X25 STEEL	2
46	60003040010	FOOTREST RUBBER FRONT L/S 03	1
47	60003041010	FOOTREST RUBBER FRONT R/S 03	1
48	60003044010	CLOSING PANEL FRONT L/S R/S 03	2
49	0985050003	SELF LOCKING NUT DIN0985-M 5	2

087560310 / C087560310

\* NEW PART

X AS REQUIRED

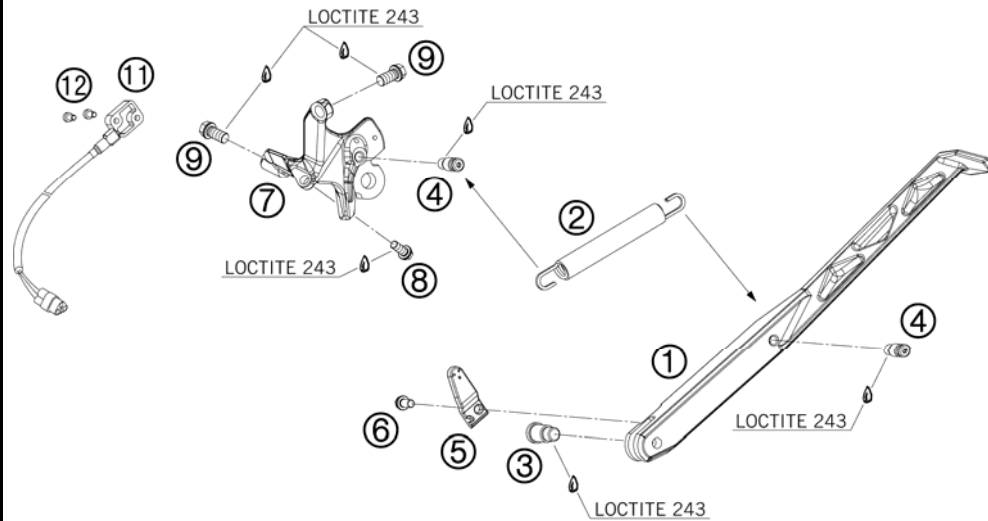


FIG	PART NUMBER	DESCRIPTION	QTY
1	7560302301001S	SIDE STAND 08	1
2	61003024000	SPRING L=116 MM 05	1
3	62503027100	SCREW F. SIDE STAND M10X31,2	1
4	75603023011	BOLT F. SIDE STAND SPRING	2
5	62503029050	MAGNET HOLDER 05	1
6	0025060126	HH COLLAR SCREW M6X12 TX30	1
7	75603023053	SIDE STAND SUPPORT 08	1
8	59009062016	SPECIAL SCREW M6X16 WS=8 10.9	1
9	0025080166	HH COLLAR SCREW M8X16 TX40	2
11	61011045000	SIDE STAND SENSOR 05	1
12	0084040083	CYL.HEAD SCREW DIN0084-M 4X8 A	2

087560360 / C087560360

\* NEW PART

X AS REQUIRED

# PRO LEVER LINKING

690 DUKE WHITE EU 2008

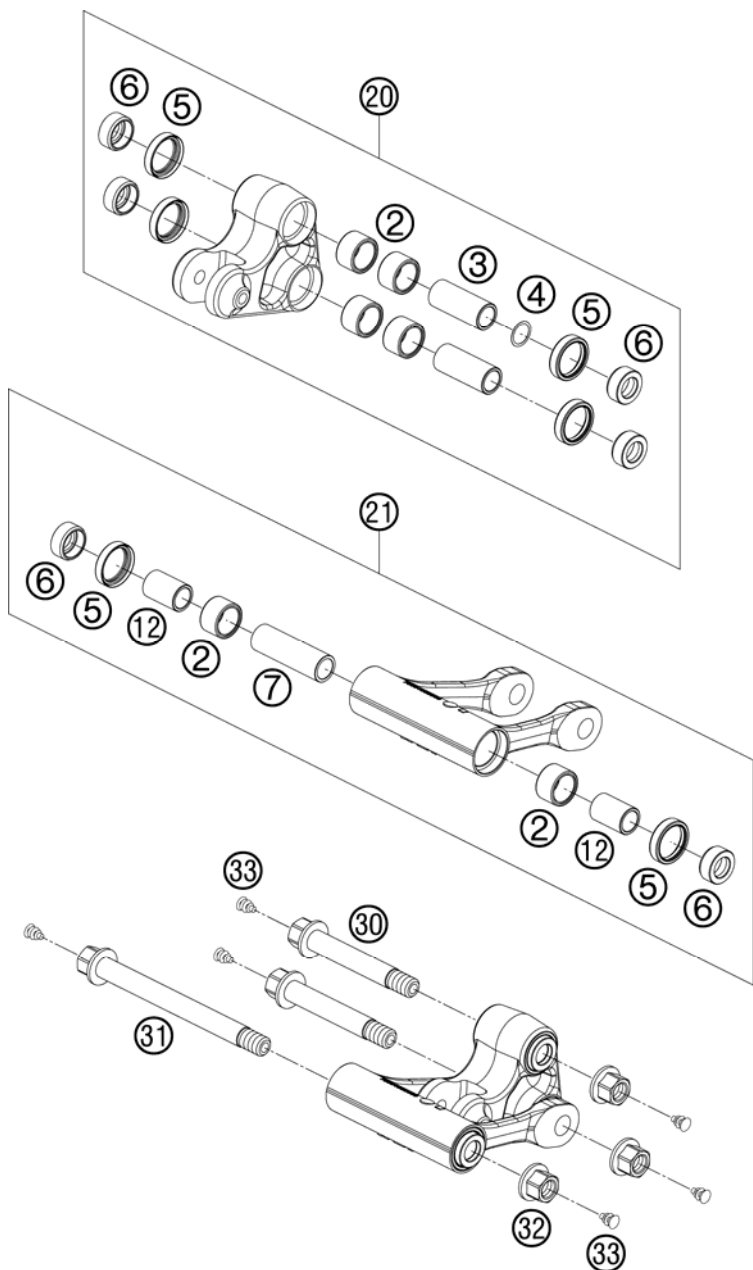


FIG	PART NUMBER	DESCRIPTION	QTY
2	54603097000	NEEDLE BUSH HK 2016	6
3	54603081000	BUSHING SLEEVE 15 X 20 X 48	2
4	54603090020	STEEL WASHER 15,2X19X0,2	1
5	0760253270	SHAFT SEAL RING 25X32X7	6
6	58303090000	SPAC.F.SHAFT SEALRING 15X25X11	6
7	75004084000	SPACER SLEEVE 15X20X63 07	1
12	50203081800	BEARING BUSHING	2
20	7500408004401	SETTING LEVER CPL. 07	1
21	7500408304401	INTERMEDIATE LEVER CPL. 07	1
30	54603182044	BOLT CPL.	2
31	75004085044	BOLT KPL	1
32	54603015000	SELF LOCKING NUT M14X1,5 WS=19	3
33	54403135000	PLASTIC CAP SFL10	6

087500460 / C087500460

\* NEW PART

X AS REQUIRED

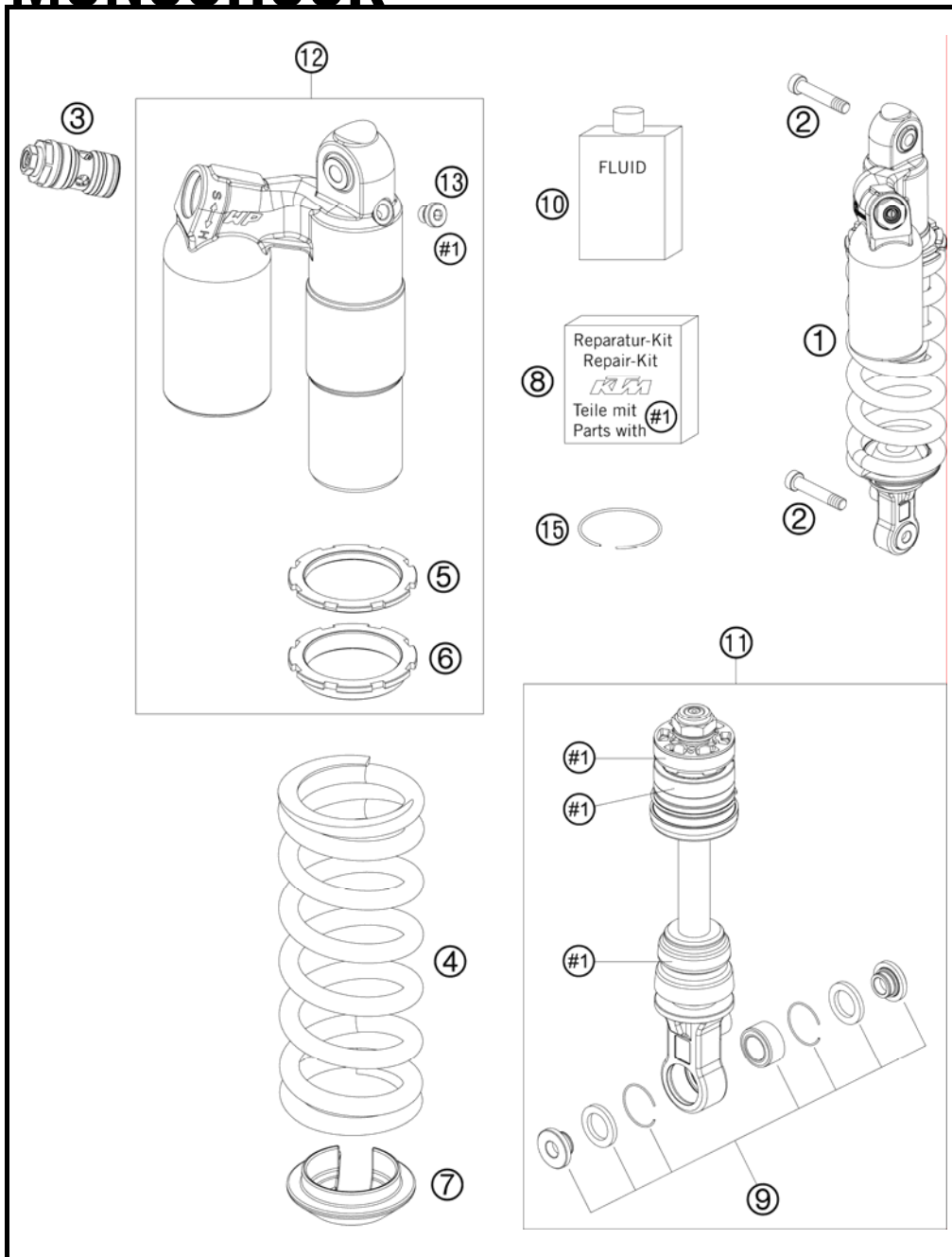


FIG	PART NUMBER	DESCRIPTION	QTY
1	15187D09	MONOSHOCK 690 DUKE 08	1
2	75004016000	SCREW M 10 L=53MM 07	2
3	46180533S	DCC-COMPR.DAMP.CONTROL CPL. 07	1
4	91110012S	SPRING 185MM 70N/MM (61)	x
4	91110013S	SPRING 185MM 75N/MM (61)	x
5	46180445	COUNTERNUT	1
6	46180444	ADJUSTING NUT	1
7	46180396	SPRING RETAINER H=15 D=28	1
8	R15004	REPAIR KIT GASKET 05	1
9	R15006	REPAIR KIT BEARINGS 07	1
10	50180342S1	SHOCK ABSORBER FLUID 5 LT '03	1
11	46180654S4	SHOCK ABS. BOTTOM CPL. DUKE	1
12	46180442S1	MONOSHOCK CASE TOP 07	1
13	50180095	BLEED PLUG R 1/8	1
15	46810010	CIRCLIP 49X1,5	1

087500411 / C087560410

\* NEW PART

X AS REQUIRED

# SWING ARM

690 DUKE WHITE EU 2008

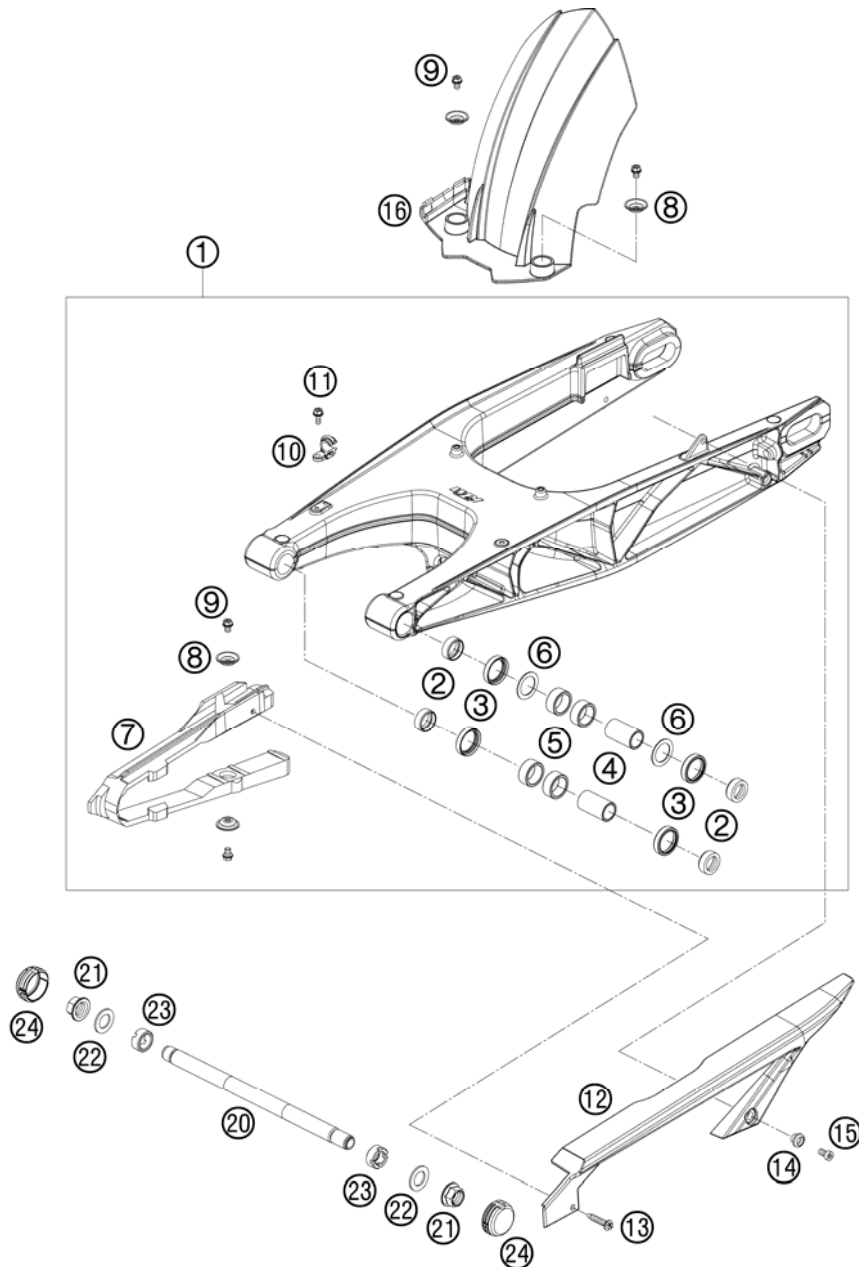


FIG	PART NUMBER	DESCRIPTION	QTY
1	7500403004433	SWING SM CPL. 07	1
2	54804034000	BUCKET F. SHAFT SEAL RING 03	4
3	0760253270	SHAFT SEAL RING 25X32X7	4
4	59404032000	BEARING SLEEVE 17X22X38,7 03	2
5	59004031100	NEEDLE BEARING HK2212V	4
6	54603036000	STOP DISK 22,2X31,7X1	2
7	75004066000	CHAIN SLIDING PROTECTION 07	1
8	72210079000	BUCKET	4
9	0025060086	HH COLLAR SCREW M6X8 TX30	4
10	5461107610030	RET. CLAMP F. BRAKE HOSE BLACK	1
11	0009050103	SPECIAL SCREW M 5,0X10	1
12	75004060000	CHAIN GUARD	1
13	0017060303	SPECIAL SCREW T60 6X30 WS=6	1
14	75001094010	BUSHING MUD FLAP 07	1
15	0012060123	AH SCREW DIN6912 M6X12	1
16	75604050000	MUD FLAP 08	1
20	75004037000	SWING ARM BOLT L=272MM 07	1
21	54804038000	SELF LOCK.NUT M16X1,5 WS=19 03	2
22	75004042000	WASHER 07	2
23	75004046000	ADJUSTING RING M24X1,5 07	2
24	75003088000	PLASTIC CAP 07	2

087560490 / C087560490

\* NEW PART

X AS REQUIRED

# EXHAUST SYSTEM

690 DUKE WHITE EU 2008

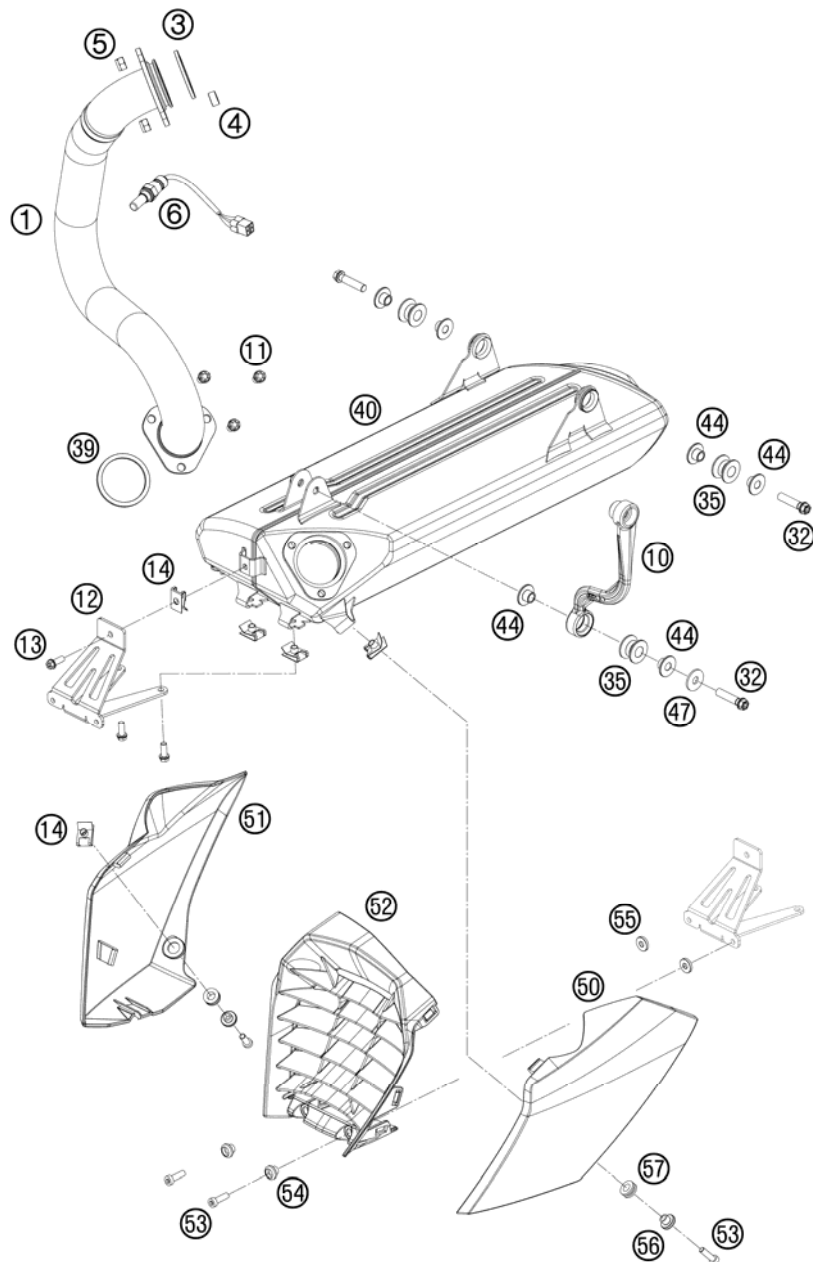


FIG	PART NUMBER	DESCRIPTION	QTY
1	75605007000	EXHAUST PIPE FRONT 08	1
3	61005005000	EXHAUST GASKET 05	1
4	61005009000	SPACER BUSH. 8,5X15X7,5 05	1
5	51010086100	SELF LOCKING NUT M 8 CU	2
6	75041090000	LAMBDA SENSOR 07	1
10	7560501400001	SUPPORT F. EXHAUST SILENCER 08	1
11	0025080166	HH COLLAR SCREW M8X16 TX40	3
12	75608020060	RETAINING PLATE FRONT SPOILER	1
13	0025060166	HH COLLAR SCREW M6X16 TX30	3
14	54603048100	RANGE CHANGE METAL NUT M6	5
32	0025080356	HH COLLAR SCREW M8X35 TX40	3
35	54305068100	DAMP. COMPONENT SILICONE GREY	3
39	75605005000	EXHAUST GASKET 57,6X3,5 08	1
40	75605083000	SILENCER LC4 DUKE 08	1
44	58405050065	COLLAR BUSH 8,5X12X23,5X10	6
47	0021080003	WASHER DIN9021-A 8,4	1
50	7560802300020A	FRONT SPOILER L/S WHITE	1
51	7560802400020A	FRONT SPOILER R/S WHITE	1
52	75608020000	FRONT SPOILER-CENTER PART	1
53	0984060203	AH SCREW DIN6912-M 6X20 8.8	4
54	75001094010	BUSHING MUD FLAP 07	2
55	75608067000	INSULATING DISK 6,2X16X3	2
56	75001094020	COLLAR BUSH 6,25X9,2X17X11 08	2
57	75608020010	RUBBER SLEEVE 9X17X7MM 08	2

087560510 / C087560511

\* NEW PART

X AS REQUIRED

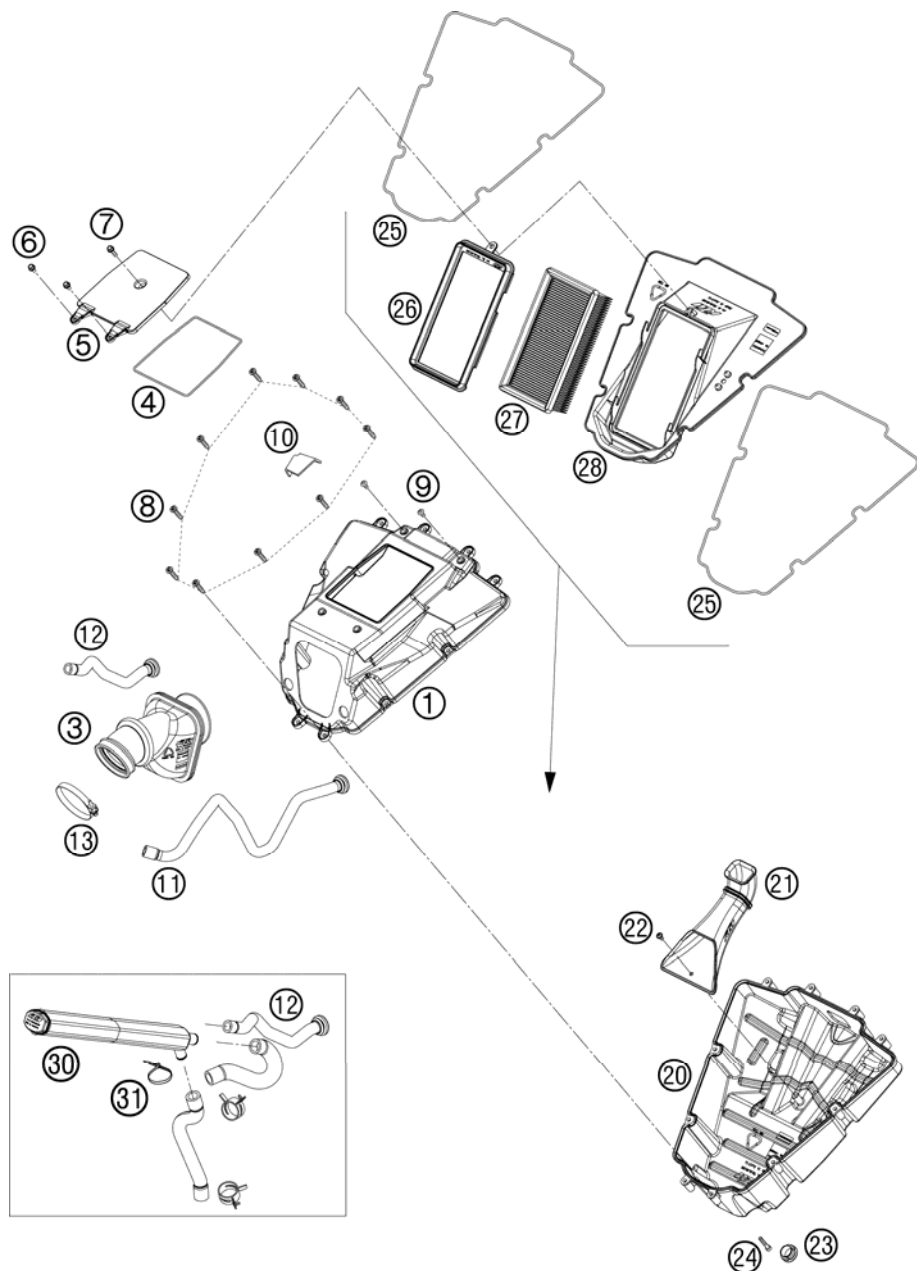


FIG	PART NUMBER	DESCRIPTION	QTY
1	75006001010	AIRBOX UPPER-PART	1
3	75006126000	INTAKE TRUMPET	1
4	75006091000	GASKET FILTER BOX 07	1
5	75006002000	FILTER BOX COVER 07	1
6	0025050106	COLLAR SCREW M5X12 ISA30	2
7	0025050206	HH COLLAR SCREW M5X20 TX30	1
8	0017060303	SPECIAL SCREW T60 6X30 WS=6	10
9	58605083010	SCREW TORX M5X10 05	2
10	75006001015	METAMOL FOR AIR FILTER BOX 07	1
11	75005032000	HOSE SLS AIRFILTERBOX 07	1
12	75030088000	HOSE OIL SEPARATOR - BREATH.07	1
13	51006027000	HOSE CLAMP 50-70MM	1
20	75006001020	AIRBOX LOWER-PART 07	1
21	75006040000	INTAKE SNORKEL 07	1
22	0016050121	SCREW FOR PLASTIC 50X12	1
23	61003088000	PLUG SFL28 05	1
24	0912050303	AH SCREW DIN0912-M 5X30	1
25	75006090000	GASKET FILTER BOX 07	2
26	75006001050	FILTER FRAME 07	1
27	75006015000	AIRFILTER	1
28	75006001030	AIRBOX MIDDLE-PART 07	1
30	75030087000	OIL SEPARATOR FOAM 07	1
31	44011076200	CABLE TIE 200/3,6MM BLACK	3

087560610 / C087560610

\* NEW PART

X AS REQUIRED

# TANK, SEAT, COVER

690 DUKE WHITE EU 2008

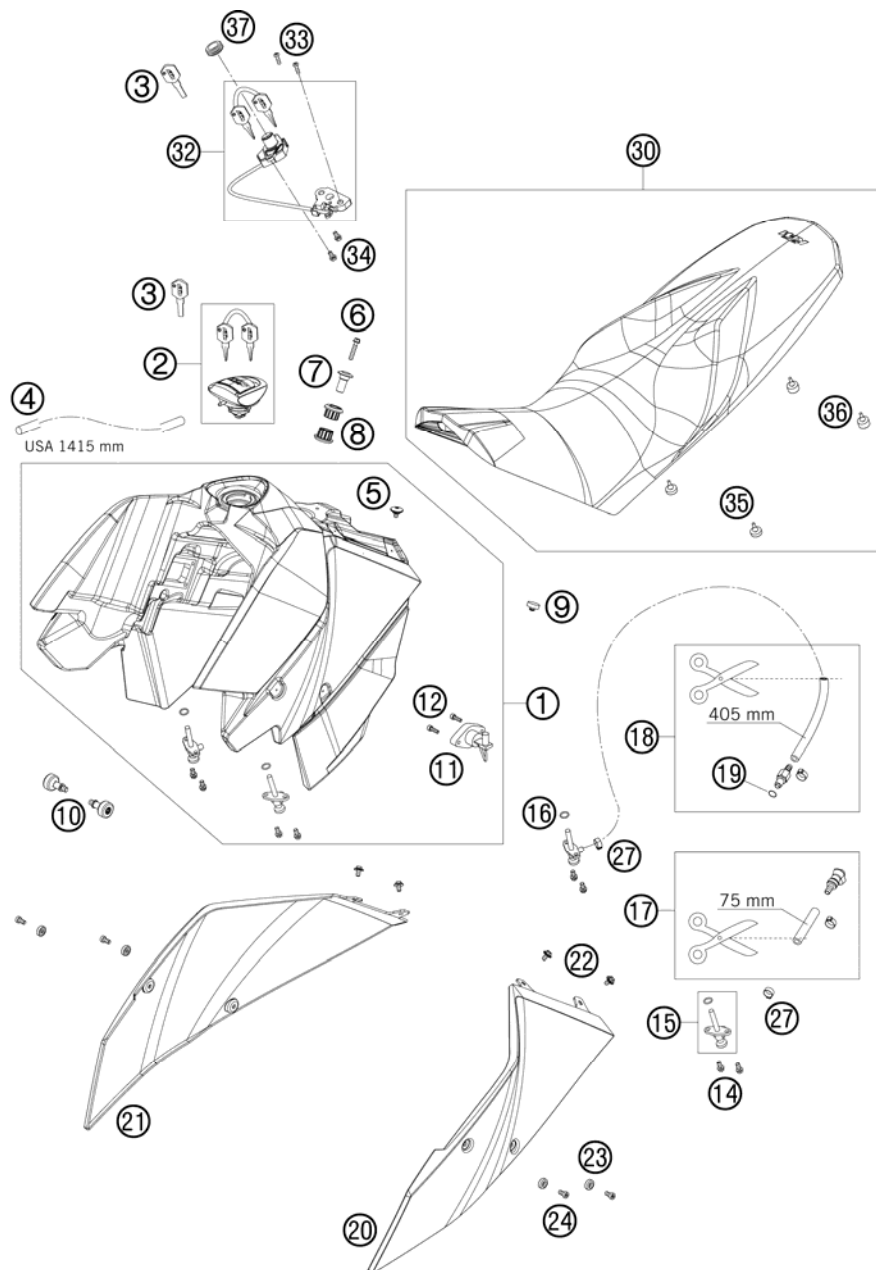


FIG	PART NUMBER	DESCRIPTION	QTY
1	7500701304420A	FUEL TANK CPL. BLACK/WHITE 08	1
2	58407008200	TANK PLUG 06	1
3	40011166100	KEY BLANK LC4/DUKE/LC8	1
4	60007026001	HOSE NBR 5,4X9,4 PER METER ONLY FOR USA	x
5	58407011100	SCREW FOR SEAT M6X11,5/8	1
6	0912080303	AH SCREW DIN0912-M 8X30	1
7	60007060000	BEARING BUSHING OUTSIDE 03	1
8	60007065000	TANK RUBBER BUSHING 03	2
9	54308042000	RUBBER BUFFER	1
10	62507026100	SPECIAL SCREW M8 06	2
11	58207080100	GAS-LEVEL SENSOR ADV. 2006	1
12	0912050163	AH SCREW DIN0912-M 5X16	2
14	0025060126	HH COLLAR SCREW M6X12 TX30	4
15	58507003000	FUEL COCK CPL. SMALL RALLYE'96	2
16	55007006200	O-RING 11X1,8 NBR 70	2
17	75007116060	FUEL HOSE WITH CLUTCH	1
18	75007016050	FUEL HOSE WITH CLUTCH	1
19	58507012000	O-RING VITON F. PLUG CPC 05	1
20	7500805000040B	SPOILER L/S BLACK-MET.+DECAL08	1
21	7500805100040B	SPOILER R/S BLACK-MET.+DECAL08	1
22	0024060106	HH COLLAR SCREW M6X10 TX30	4
23	60008045000	SPECIAL WASHER D=16,5MM 03	4
24	0012060123	AH SCREW DIN6912 M6X12	4
27	00050142706	VARIABLE ONE-EAR CLAMP 14,2 MM	2
30	75607040000	SEAT 08	1
32	62507050000	SEAT LOCK 05	1
33	0966050203	OVAL HEAD SCREW DIN0966-M 5X20	2
34	0025050126	HH COLLAR SCREW M5x12 TX30	2
35	75007046020	SEAT RUBBER 6 MM	2
36	75007046010	SEAT RUBBER 10 MM	2
37	58707050050	RUBBER SLEEVE F.SEAT LOCK '99	1

087560710 / C087560711

\* NEW PART

X AS REQUIRED



# FUEL PUMP

690 DUKE WHITE EU 2008

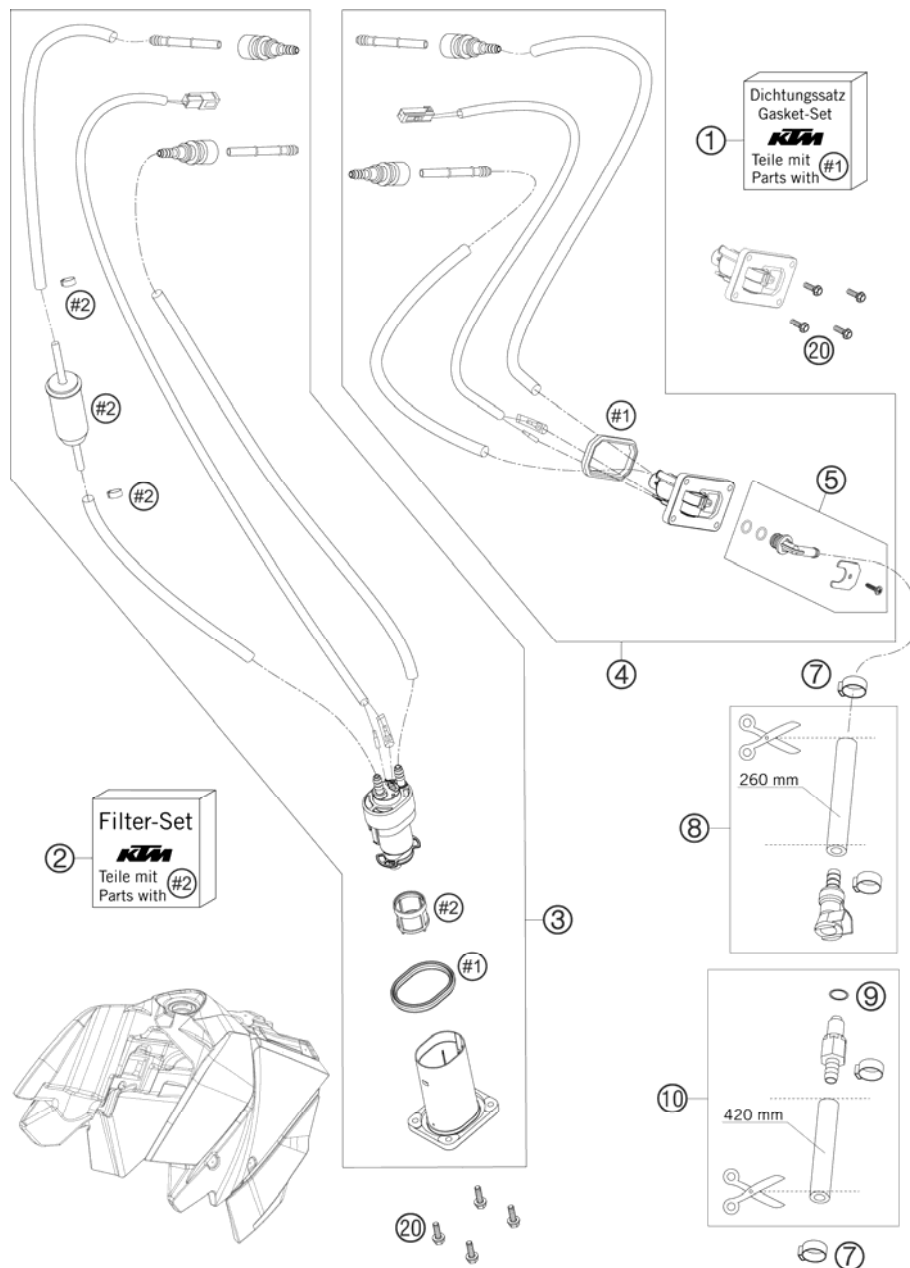


FIG	PART NUMBER	DESCRIPTION	QTY
1	75007089000	SEALINGS KIT	1
2	75007090000	FILTER KIT	1
3	75007088011	FUEL PUMP WITH FLANGE CPL.	1
4	75007088012	PRESSURE REGULATOR CPL. 07	1
5	75007092000	HYDRAULIC CONNECTOR CPL.	1
7	00050153706	VARIABLE ONE-EAR CLAMP 15,3MM	4
8	75007116060	FUEL HOSE WITH CLUTCH	1
9	58507012000	O-RING VITON F. PLUG CPC 05	1
10	75007016050	FUEL HOSE WITH CLUTCH	1
20	0025050166	HH COLLAR SCREW M5X16 TX30	8

087500730 / C087560730

\* NEW PART

X AS REQUIRED

# MASK, FENDERS

690 DUKE WHITE EU 2008

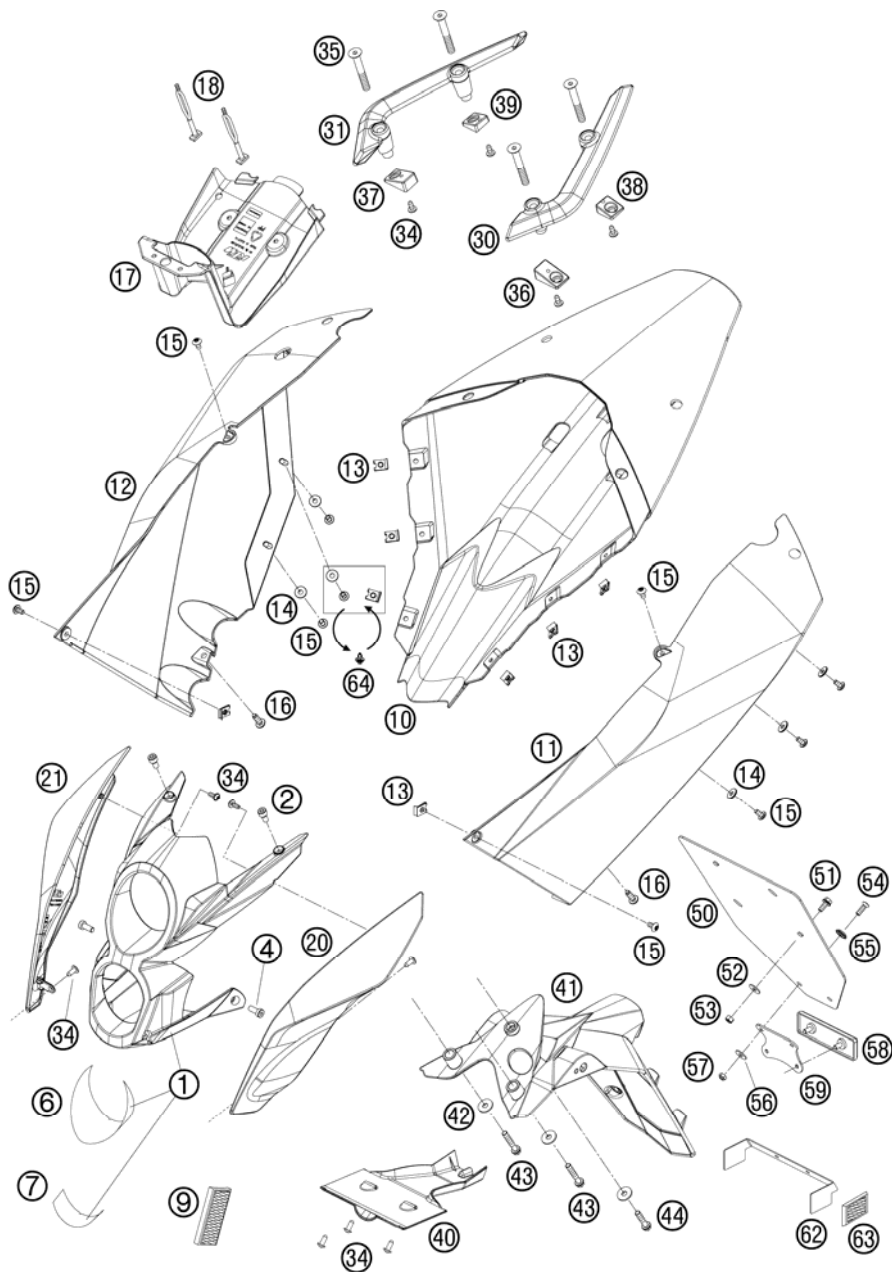


FIG	PART NUMBER	DESCRIPTION	QTY
1	7560800100083A	HEAD LIGHT MASK SILVER MET.	1
2	0912060123	AH SCREW DIN0912-M 6X12	2
4	0012060164	AH SCREW DIN6912 M6X16 SL	2
6	75608001051	THERMAL PROT. FOIL F. LOW BEAM	1
7	75608001052	THERMAL PROT. FOIL F.HIGH BEAM	1
9	60012080000	SIDE REFLECTOR YELLOW 03 ONLY FOR USA+AUS+UK	2
10	7500801300020A	REAR FENDER WHITE	1
11	7500804100040B	SIDE COVER L/S+DECAL BLACK-MET	1
12	7500804200040B	SIDE COVER R/S+DECAL BLACK-MET	1
13	54603048200	RANGE CHANGE METAL NUT M5	8
14	75008023000	WASHER REAR-UT D=14MM	6
15	58605083014	SCREW M5X14 TORX 25 07	10
16	0017060203	EJOT PT SCREW K60X20 WS=6	2
17	75003075000	STORAGE COMPARTMENT	1
18	50303018000	RUBBER L=145MM	2
20	7560800300020A	MASK SPOILER L/S WHITE 08	1
21	7560800400020A	MASK SPOILER R/S WHITE 08	1
30	75012008000	HAND GRIP L/S 07	1
31	75012009000	HAND GRIP R/S 07	1
34	0081050121	SCREW FOR PLASTIC K50X12 T20	11
35	0991080603	FLAT HEAD SCREW ISO10642 M8X60	4
36	75003065000	SPACER SUB FRAME FRONT L/S	1
37	75003066000	SPACER SUB FRAME FRONT R/S	1
38	75003067000	SPACER SUB FRAME REAR L/S	1
39	75003068000	SPACER SUB FRAME REAR R/S	1
40	75608015010	COVER NUMB. PLATE CARRIER 08	1
41	75608015000	NUMBER PLATE CARRIER	1
42	0021060003	WASHER DIN9021-A 6,4	3
43	0025060356	HH COLLAR SCREW M6X35 TX30	2
44	0025060206	HH COLLAR SCREW M6X20 TX30	1
50	60012081200	LICENCE FITTING 06	1
51	0024060156	HH COLLAR SCREW M6X15 TX30	4
52	0021060003	WASHER DIN9021-A 6,4	4
53	0985060003	SELF LOCK. NUT DIN0985-M 6	4
54	0966050163	OVAL HEAD SCREW DIN0966-M 5X16	2

087560810 / C087560811

\* NEW PART

X AS REQUIRED

# MASK, FENDERS

690 DUKE WHITE EU 2008

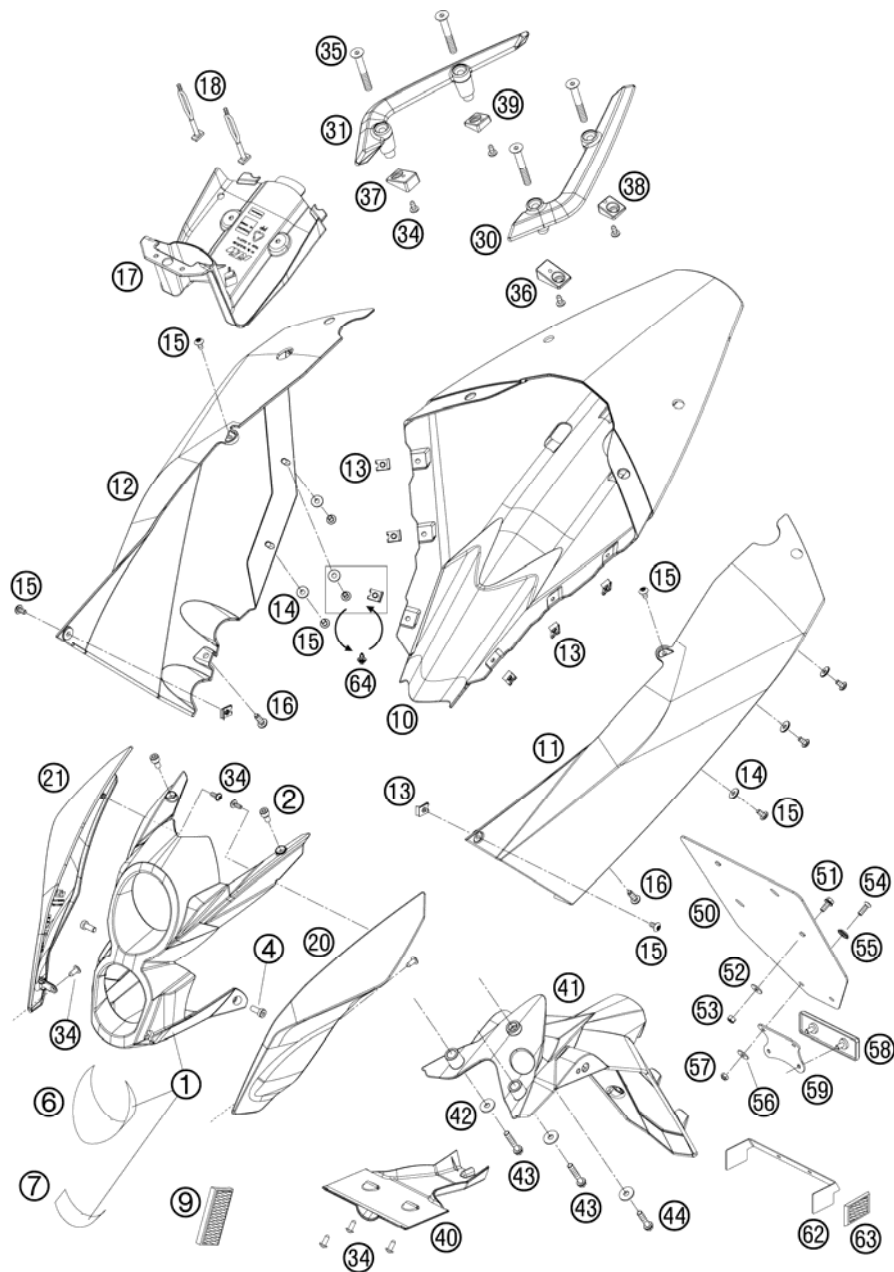


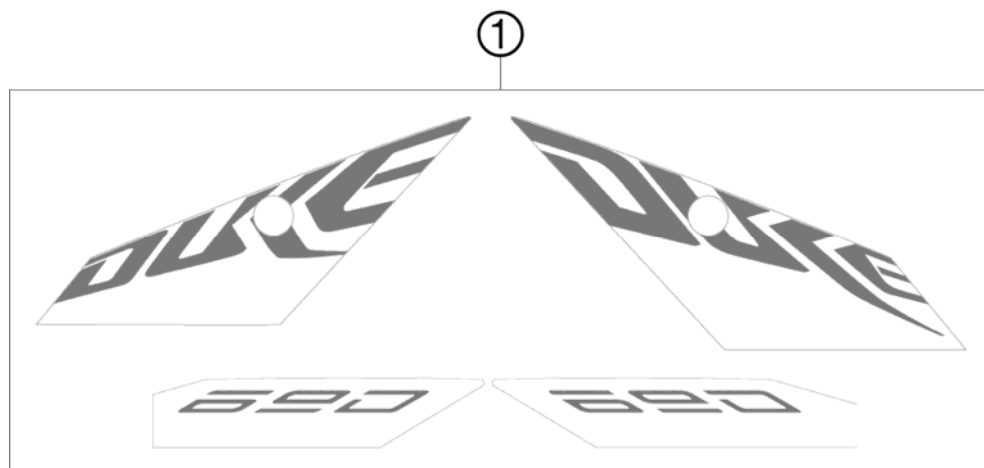
FIG	PART NUMBER	DESCRIPTION	QTY
55	40006006000	WASHER 6MM	2
56	0125050003	WASHER DIN0125-A 5,3	2
57	0985050003	SELF LOCKING NUT DIN0985-M 5	2
58	58412080000	REFLECTOR RED LC4 '98	1
59	58412080050	BRACKET FOR REFLECTOR	1
62	62512081000	BRACKET SIDE REFLECTOR	06
63	16512180100	SIDE REFLECTOR RED REAR ONLY FOR USA	2
64	76503075000	SPREAD RIVET CPL. 6,2MM	x

087560810 / C087560811

\* NEW PART

X AS REQUIRED

FIG	PART NUMBER	DESCRIPTION	QTY
1	75608299000	DECAL SET 690 DUKE WHITE 2008	1



087560830 / C087560831

\* NEW PART

X AS REQUIRED

# FRONT WHEEL

690 DUKE WHITE EU 2008

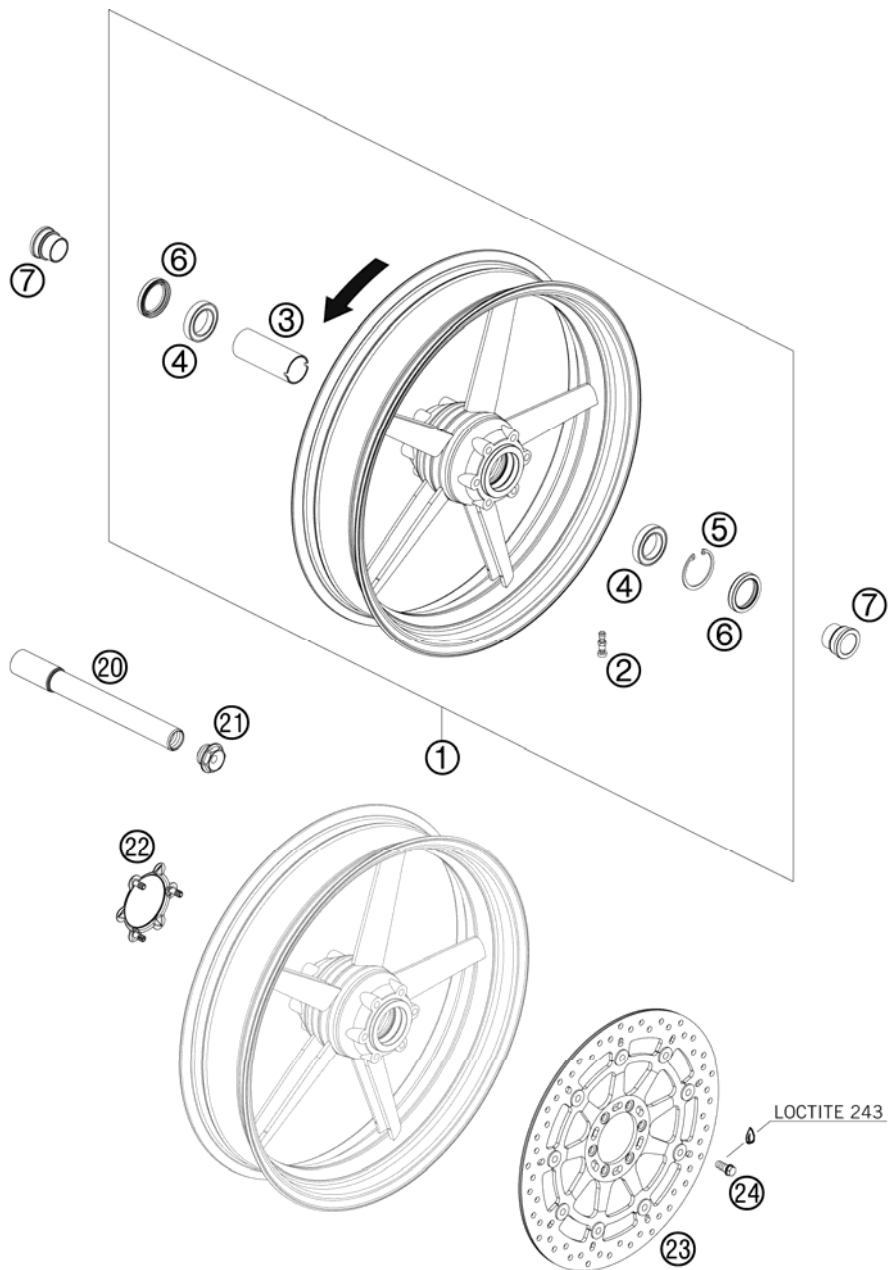


FIG	PART NUMBER	DESCRIPTION	QTY
1	7560900104433	FRONT WHEEL CPL. 3,5X17" 07	1
2	58709076000	VALVE CPL. BREMBO DUKE 2003	1
3	61009011000	BEARING SPACER TUBE FRONT 05	1
4	0625069068	GR.BALL BEAR.6906 DDU2CG23S6NM	2
5	0472048175	LOCK RING DIN0472-48X1,75	1
6	0760354771	SHAFT SEAL RING 35X47X7 TC	2
7	54809012000	SPACER BUSHING F. FR. WHEEL 03	2
20	75009081000	WHEEL SPINDLE FRONT D=26MM 07	1
21	54809082000	SPINDLE SCREW M24X1,5 WS=27 03	1
22	75009001010	COVER BRAKEDISCSEAT 07	1
23	75609060000	BRAKE DISC D=320MM 07	1
24	61009062018	SPECIAL SCREW M8X18 05	6

087560910 / C087560910

\* NEW PART

X AS REQUIRED

# REAR WHEEL

690 DUKE WHITE EU 2008

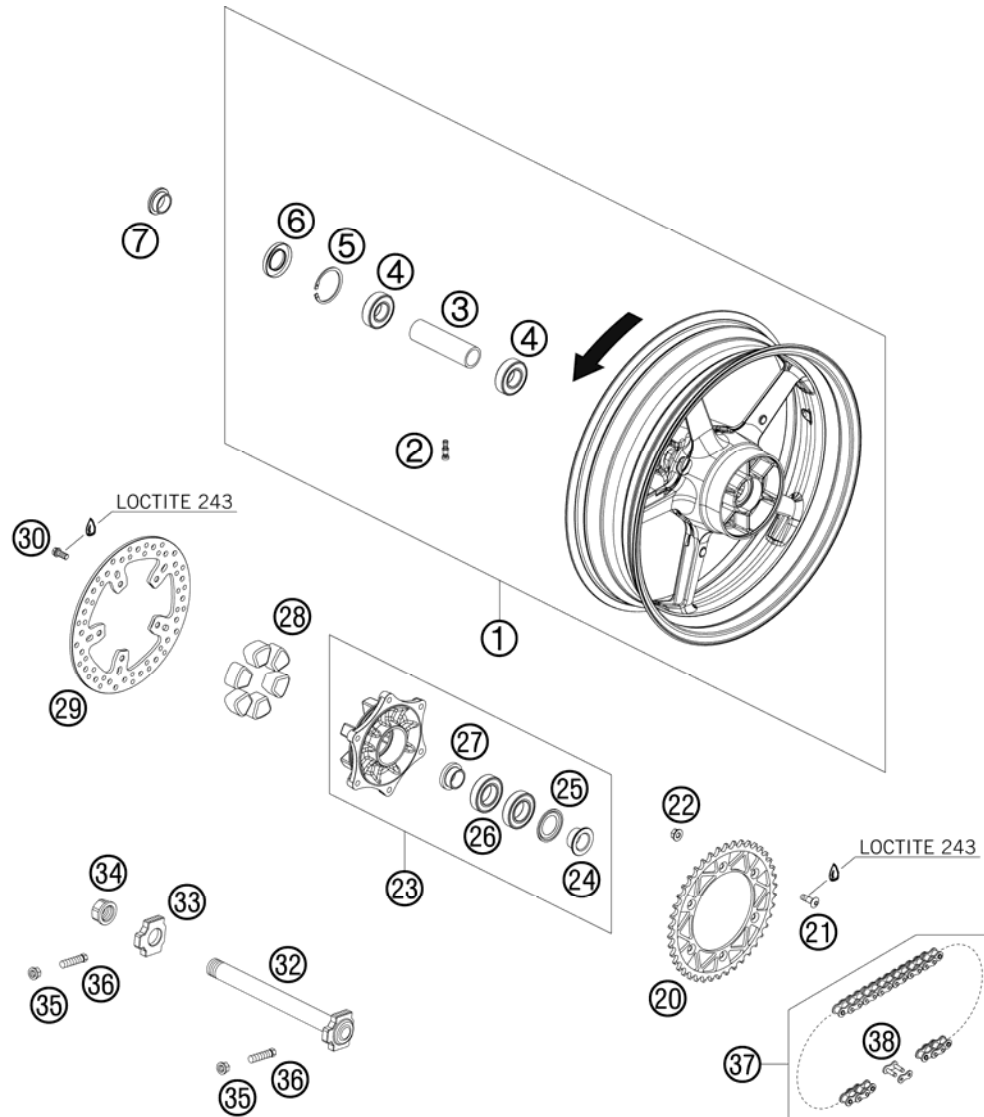


FIG	PART NUMBER	DESCRIPTION	QTY
1	7561000104433	REAR WHEEL CPL. 5X17" 07	1
2	58709076000	VALVE CPL. BREMBO DUKE 2003	1
3	75610011000	BEARING SPACER TUBE REAR 07	1
4	0625062052	GR.BALL BEAR. 6205-2RSHC3HMTF7	2
5	0472052200	CIRCLIP DIN0472-52X2	1
6	0760305271	SHAFT SEAL RING 30X52X7	1
7	60010013000	SPACER BUSH. REAR WHEEL R/S 03	1
20	75010051040	SPROCKET STEALTH 40T 07	x
20	75010051042	SPROCKET STEALTH 42T 07	x
21	0019080266S	COUNTER-SUNK SCREW ISA45 M8X26	6
22	54310086200	SELF LOCKING NUT M8 10.9	6
23	75010050044	SPROCKET SUPPORT CPL. 07	1
24	60110012000	SPACER BUSH. SPROCKET SUPP. 06	1
25	60110016000	NILOS RING 6006AV	1
26	0625060060	BALL BEARING 6006 DDU2CG23S6NM	2
27	60110014000	SPACER BUSH. SPR. SUPP. IN. 06	1
28	54610459000	DAMPING RUBBER '91	6
29	61010060000	BRAKE DISK REAR D=240MM 05	1
30	61009062018	SPECIAL SCREW M8X18 05	6
32	75010085044	WHEEL SPINDLE REAR L=279MM 07	1
33	60010084000	CHAIN TENSIONER R/S LC8 03	1
34	60010086000	COLLAR NUT WH. SPINDLE REAR 03	1
35	58414030000	HH COLLAR NUT M10X1,25 WS=13	2
36	50304040100	SCREW M10X1,25X50 WS=10	2
37	76510065116	CHAIN X-RING 116 + RIVET LINK	1
38	76510066000	RIVET LINK FOR 76510065116	1

087561010 / C087561010

\* NEW PART

X AS REQUIRED

# WIRING HARNESS

690 DUKE WHITE EU 2008

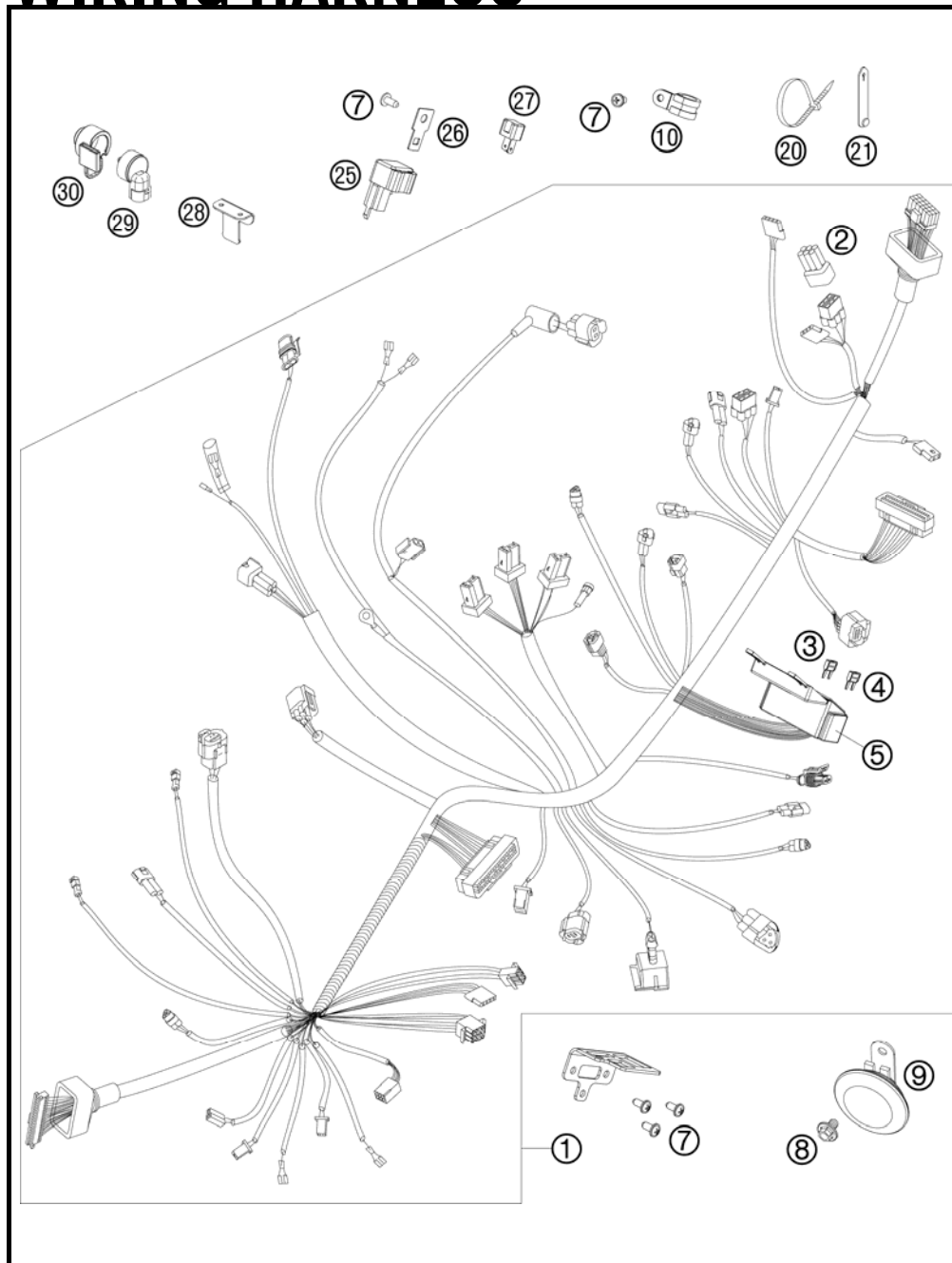


FIG	PART NUMBER	DESCRIPTION	QTY
1	75611075100	MAIN WIRING HARNESS	1
2	000700000BH	SPARE CONNECTOR BH 6-PINS	1
3	75011088010	FUSE 10A 07	x
4	75011088015	FUSE 15A 07	x
5	75011087050	RUBBER CASING FOR FUSE BOX	1
7	0081050121	SCREW FOR PLASTIC K50X12 T20	5
8	0024060106	HH COLLAR SCREW M6X10 TX30	1
9	62511060000	DC HORN 05	1
10	49007439000	CLAMP RSGU 15/12	1
20	44011076100	CABLE TIE 100/2,5MM BLACK	x
20	44011076200	CABLE TIE 200/3,6MM BLACK	x
20	44011076305	CABLE TIE 300/4,8MM BLACK	x
21	60011093075	RUBBER CABLE TIE 75MM 03	x
25	44611207200	FLASHER UNIT 97	1
26	58211031100	BRACKET FOR FLASHER RELAISE	1
27	58411096100	DIODE S3H-15 97	1
28	75611046000	BRACKET MAP-SELECT-SWITCH	1
29	76511010000	MAP-SELECT-SWITCH	1
30	76511010050	RUBBER HOLDER F. MAP-SEL-SWIT.	1

087561110 / C087561110

\* NEW PART

X AS REQUIRED

# BATTERY

690 DUKE WHITE EU 2008

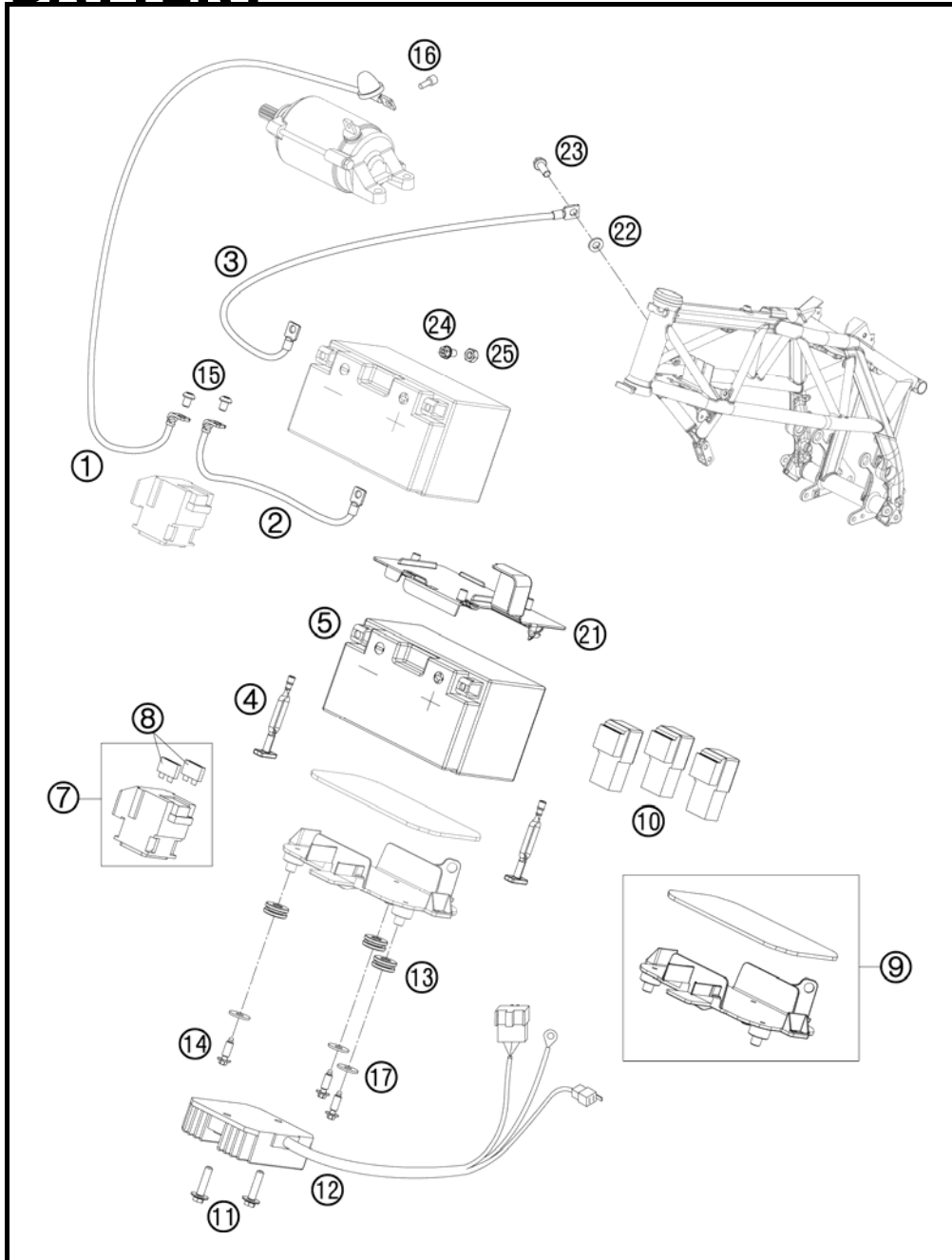


FIG	PART NUMBER	DESCRIPTION	QTY
1	75011059000	STARTER CABLE 07	1
2	75011059050	BATTERY CABLE 07	1
3	75011097100	GROUND CABLE	1
4	75011054005	BRACKET RUBBER FOR BATTERY	2
5	58411053100	BATTERY 12V 8,6AH 03	1
7	60011058000	STARTER RELAY 03	1
8	58011109130	FUSE 30 A	2
9	75011154033	BATTERY SUPPORT CPL.	1
10	61111057000	RELAY CM1A-R-12V-H80 07	3
11	0024060256	HH COLLAR SCREW M6X25 TX30	2
12	60011034000	VOLTAGE REGULATOR LC8 03	1
13	75011054010	DECOUPLING RUBBER	3
14	0017060203	EJOT PT SCREW K6X20 WS=6	3
15	0902060083	AH OVAL SCREW ISO 7380 M 6X8	2
16	0912050083	AH SCREW DIN 912 M 5X8	1
17	0021060003	WASHER DIN9021-A 6,4	3
21	75011054120	BATTERY SUPPORT - TOP PART	1
22	58411098100	CONTACT WASHER M6 VSV-K6	1
23	0025060166	HH COLLAR SCREW M6X16 TX30	1
24	0025060103	HH COLLAR SCREW M6X10 TX	2
25	0934060003	HEXAGON NUT DIN0934-M 6	2

087561130 / C087561130

\* NEW PART

X AS REQUIRED



# BRAKE CALIPER REAR

690 DUKE WHITE EU 2008

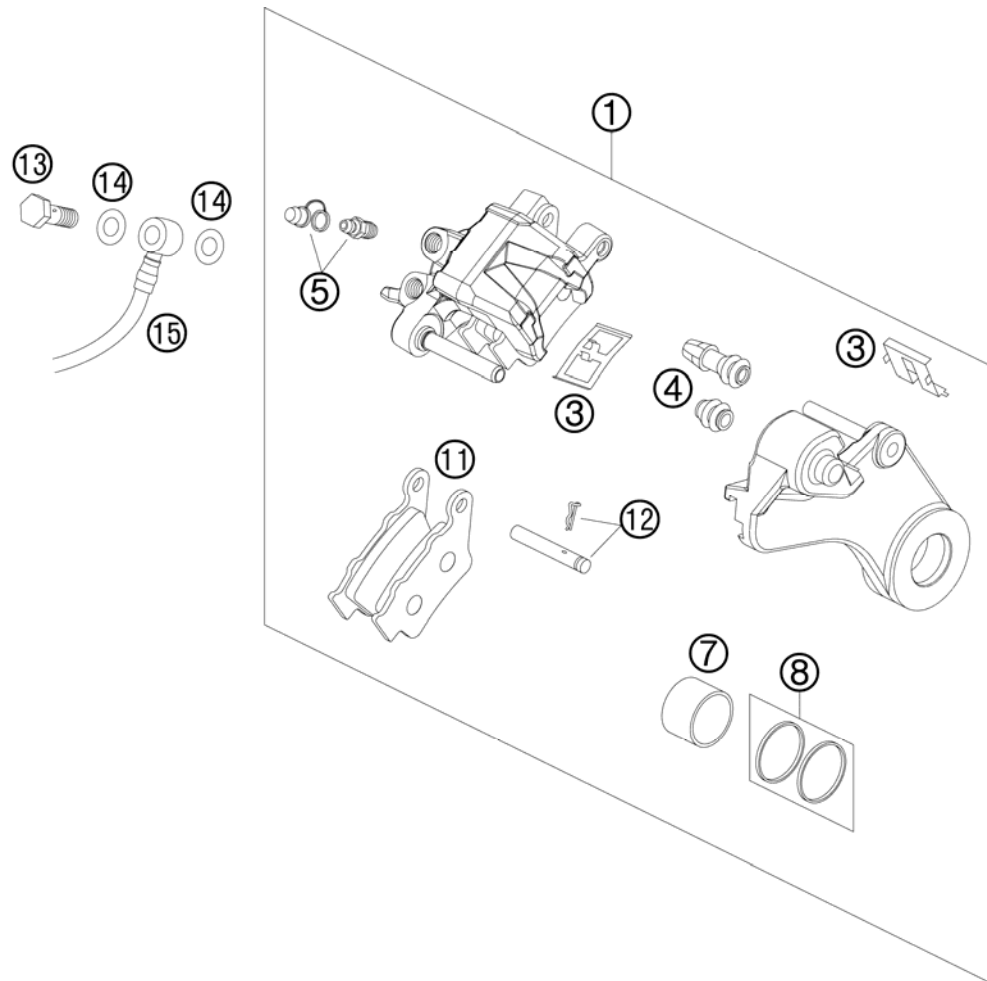


FIG	PART NUMBER	DESCRIPTION	QTY
1	75013080100	BRAKE CALIPER REAR 07	1
3	54613311200	RETAINING SPRING SET	1
4	54613218000	CUP SET SHORT	1
5	61013020200	BLEEDER SCREW WITH CAP	1
7	50313083000	BRAKE PISTON 32MM	1
8	50313081000	REPAIR KIT SEALING RINGS 32MM	1
11	75013090000	BRAKE PAD SET REAR SBS-S-40GF	1
12	61013082000	BOLT SET 05	1
13	54813020100	HOLLOW SCREW BLACK M10X1X19	1
14	0603100141	COPPER GASKET DIN7603-10X14X1	2
15	75013072000	BRAKE HOSE REAR 2007	1

087501390 / C087501390

\* NEW PART

X AS REQUIRED

# HAND BRAKE CYLINDER

690 DUKE WHITE EU 2008

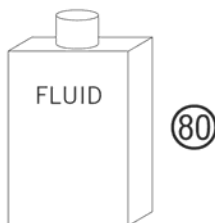
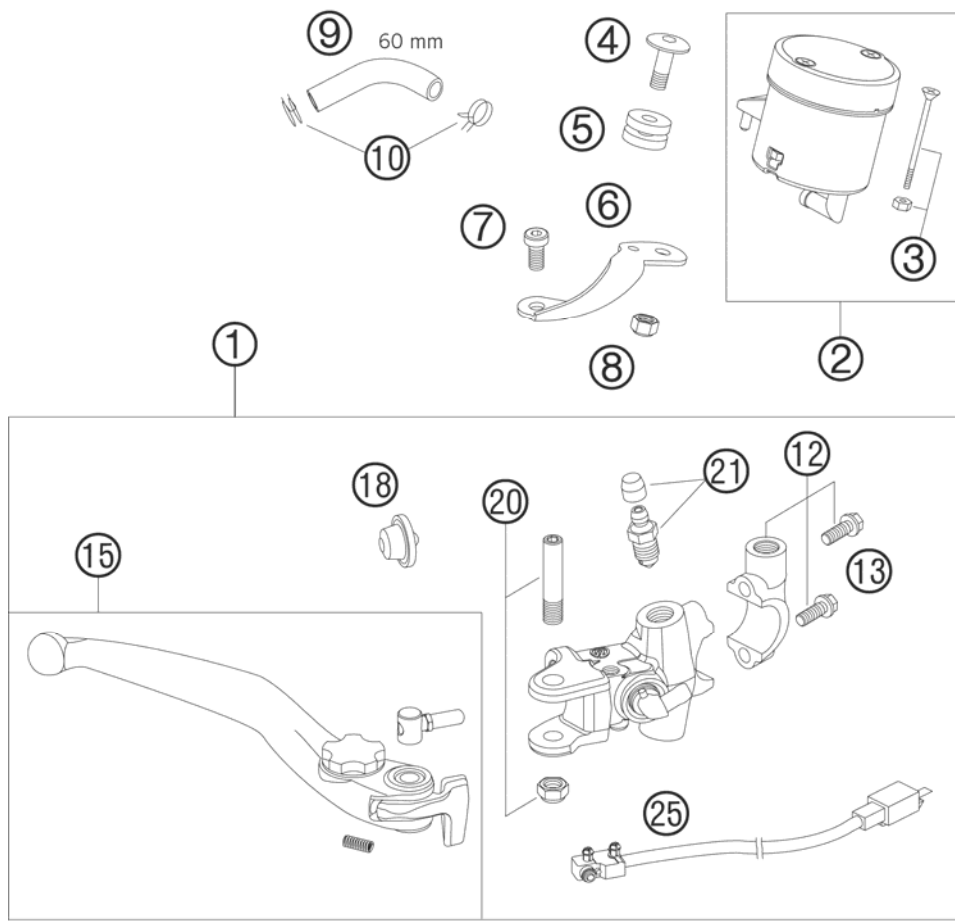


FIG	PART NUMBER	DESCRIPTION	QTY
1	75613001000	HAND BRAKE CYLINDER 07	1
2	61013009002	BRAKE FLUID RESERVOIR CPL.	1
3	61013009003	SCREW + NUT FOR RESERVOIR	2
4	61013013050	SCREW RET.PANEL-RESERVOIR	1
5	61013013000	RUBBER BUSH 05	1
6	61013009001	RET.PANEL FLUID RES. FRONT 05	1
7	61013021000	SCREW RET.PANEL-BRAKE CYLINDER	1
8	61013009004	NUT FOR RESERVOIR	1
9	58007016101	HOSE FOR RESERVOIR 6X1,5	1
10	58007017000	YDNAC CLAMP 10101 (9MM)	2
12	61013005000	CLAMP CPL. 05	1
13	0025060256	HH COLLAR SCREW M6X25 TX30	2
15	62513002044	HAND BRAKE LEVER CPL. 05	1
18	61013008000	RUBBER CUP 05	1
20	61013006000	LEVER SCREW CPL. 05	1
21	60013020000	BLEEDER SCREW WITH CAP	1
25	61011050000	BRAKE LIGHT SWITCH FRONT 05	1
80	00062030000	BRAKE FLUID DOT5.1 0,25L	1

077561310 / C087561310

\* NEW PART

X AS REQUIRED

# REAR BRAKE CONTROL

690 DUKE WHITE EU 2008

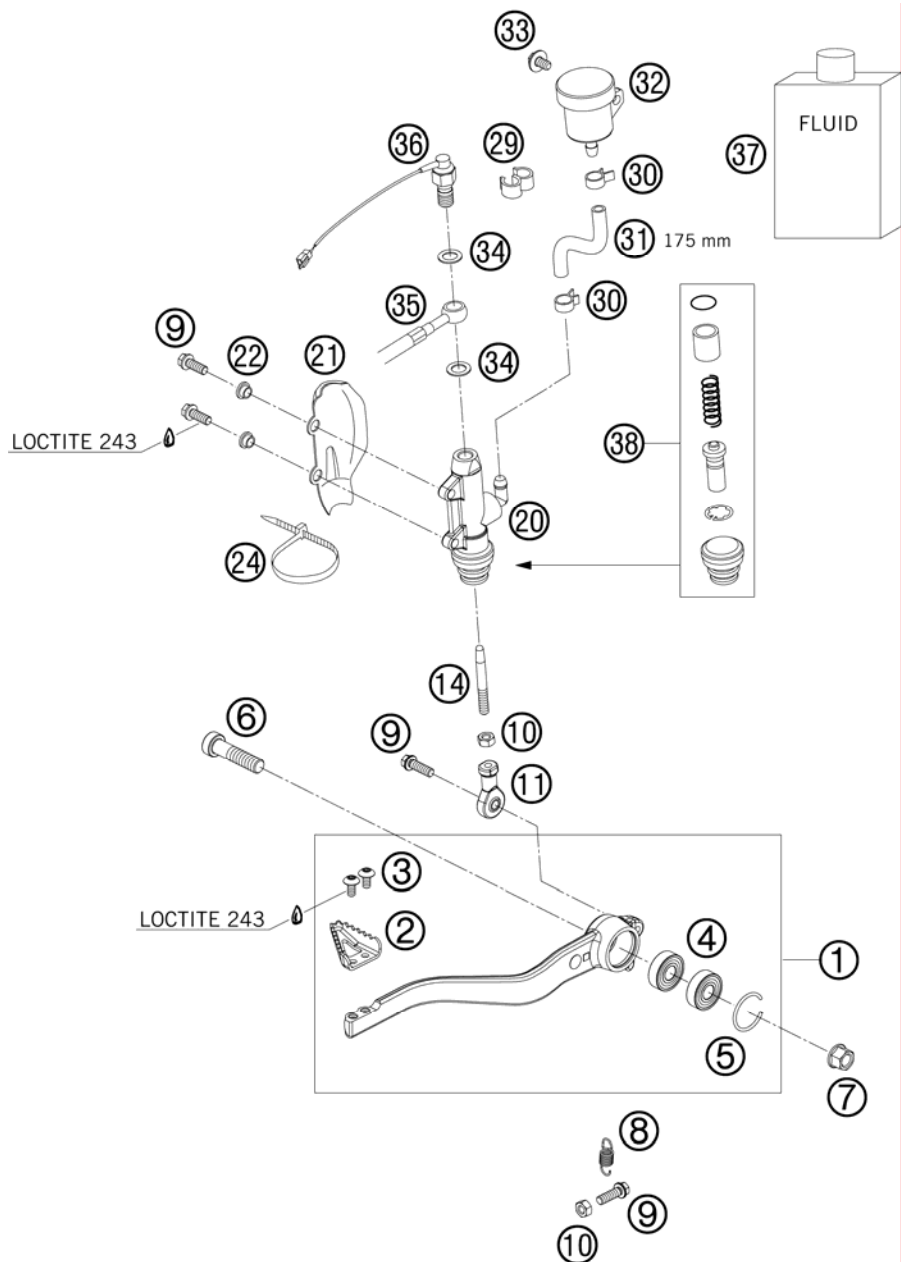


FIG	PART NUMBER	DESCRIPTION	QTY
1	7501305004401	FOOT BRAKE LEVER CPL. 07	1
2	60013051000	STEP PLATE FOOT BRAKE LEVER 03	1
3	58605083010	SCREW TORX M5X10 05	2
4	0625060002	BALL BEARING SKF 6000-2RS1	2
5	0993026500	LOCK RING DIN7993-B26	1
6	0912100406	AH SCREW DIN6912 M10X40 10.9	1
7	54630044000	COLLAR NUT M10 WS=13	1
8	61013052000	SPRING FOOT BRAKE LEVER 05	1
9	0025060206S	HH COLLAR SCREW M6X20 TX30	4
10	0934060003	HEXAGON NUT DIN0934-M 6	2
11	54603069000	SWIVEL HEAD M6 FOOT BRAKE LEV.	1
14	54603068000	PRESSURE ROD ALU 250 '90	1
20	54513101044	MAIN BRAKE CYLINDER '89	1
21	54513038000	BRAKE CYL. PROTECTOR "BREMBO"	1
22	50213161000	COLLAR BUSHING	2
24	44011076200	CABLE TIE 200/3,6MM BLACK	1
29	55011022100	CLAMP D=6/8MM, BLACK	1
30	58007017000	YDNAC CLAMP 10101 (9MM)	2
31	58007016101	HOSE FOR RESERVOIR 6X1,5	x
32	54513030044	BRAKE FLUID RESERVOIR '89	1
33	0024060106	HH COLLAR SCREW M6X10 TX30	1
34	0603100141	COPPER GASKET DIN7603-10X14X1	2
35	75013072000	BRAKE HOSE REAR 2007	1
36	50311051100	BRAKE LIGHT SWITCH REAR '98	1
37	00062030000	BRAKE FLUID DOT5.1 0,25L	1
38	54513150000	REPAIR KIT PISTON 13MM	1

087501330 / C087561330

\* NEW PART

X AS REQUIRED

# BRAKE CALIPER FRONT

690 DUKE WHITE EU 2008

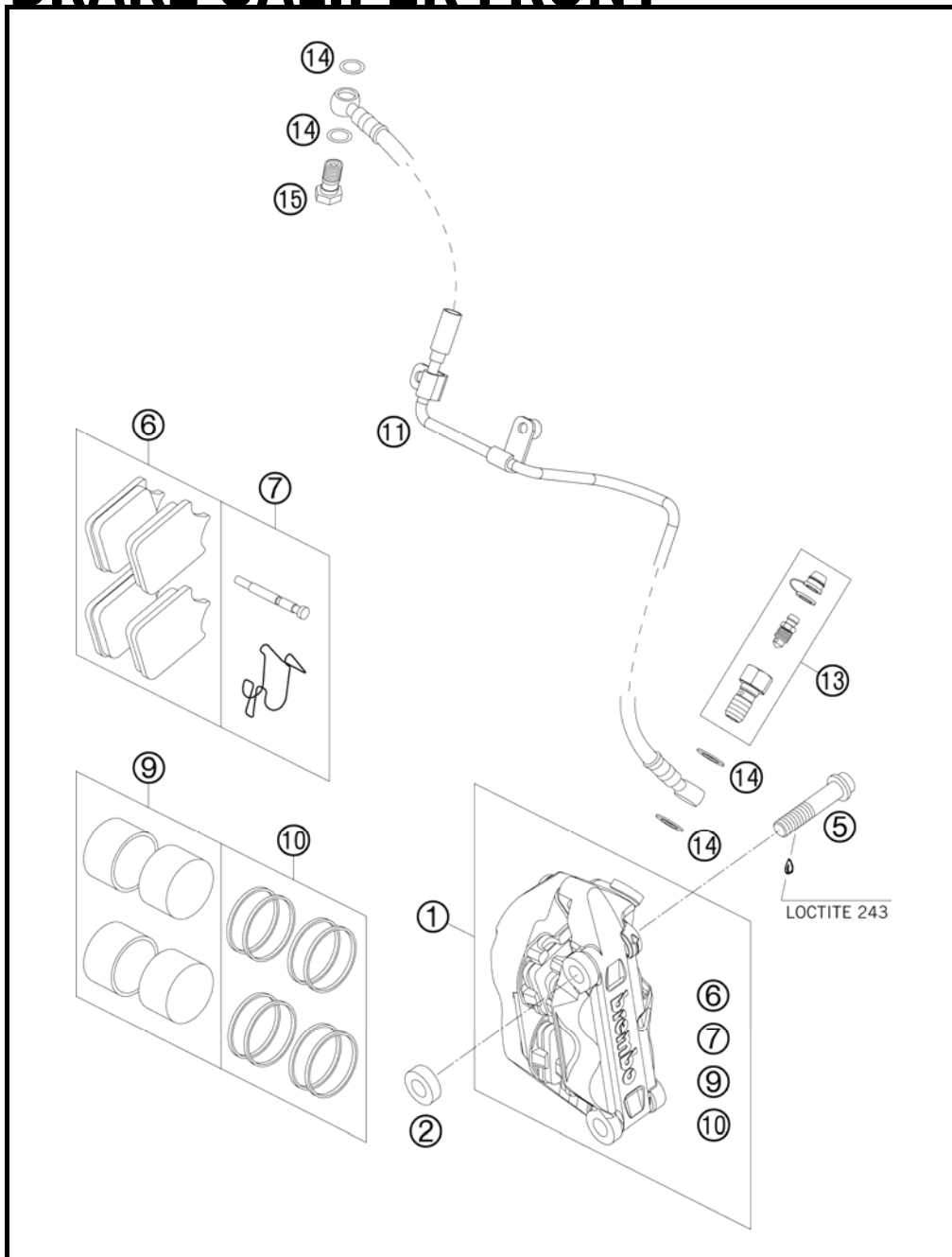


FIG	PART NUMBER	DESCRIPTION	QTY
1	62513115000	BRAKE CALIPER RADIAL L/S 07	1
2	6111302200001	SPACER BUSH 10,1X20X7,5 07	2
5	0035100659	AH-COLLAR SCREW M10X1,25X65	2
6	61013030100	BRAKE PAD FR. HAWK 7342-49	1
7	61013018000	PINS + SPRINGS F. BRAKECALIPER	2
9	61013019000	BRAKE PISTONS 4X	1
10	61013019100	REP.KIT SEALING RINGS 4X	1
11	75613112000	BRAKE PIPE FRONT CPL. 08	1
13	62513020000	BLEEDER SCREW CPL. 05	1
14	0603100141	COPPER GASKET DIN7603-10X14X1	4
15	54813020100	HOLLOW SCREW BLACK M10X1X19	1

087561360 / C087561360

\* NEW PART

X AS REQUIRED

# LIGHTING SYSTEM

690 DUKE WHITE EU 2008

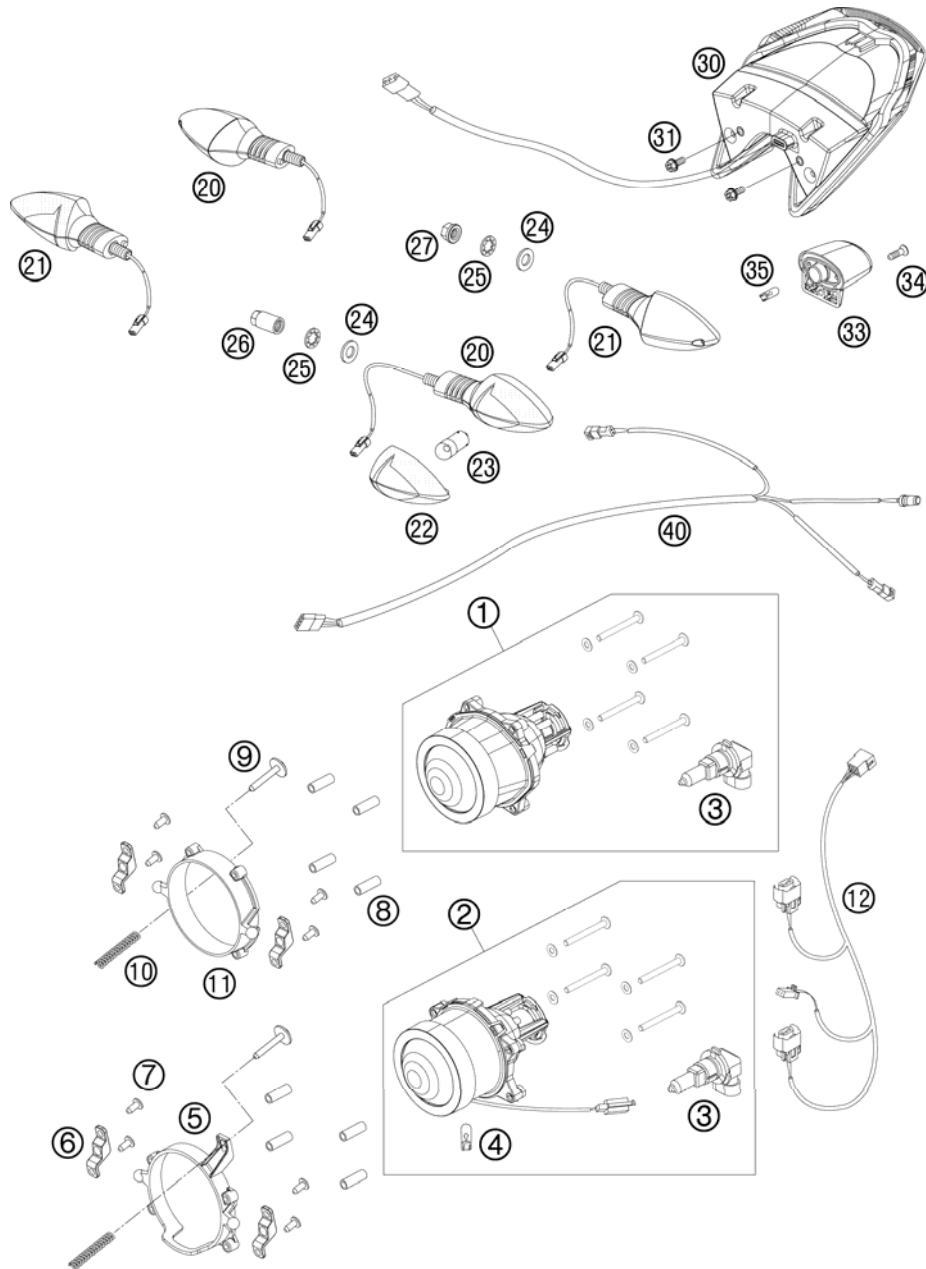


FIG	PART NUMBER	DESCRIPTION	QTY
1	75614101000	HEADLIGHT LOW BEAM 08	1
2	75614002000	HEADLIGHT HIGH BEAM	1
3	58714003000	BULB HB3 12V 60W '99	2
4	49011435100	BULB 12V 5W (W2,1X9,5D) PHIL.	1
5	75614008000	BRACKET F. HIGH BEAM	1
6	75614018000	HEADLIGHT BRACKET	4
7	0081050121	SCREW FOR PLASTIC K50X12 T20	8
8	75614009000	DISTANCE BUSHING 5,5X8X23,4 MM	8
9	58714001010	SCREW FOR PLASTIC D=5X35	2
10	58714010050	SPRING F. HEAD LIGHT ADJ. '99	2
11	75614007000	BRACKET F. LOW BEAM	1
12	75611079000	WIRING HARNESS HEADLIGHT 08	1
20	60114025000	FLASHER CPL.FRONT L/S REAR R/S	2
21	60114026000	FLASHER CPL.FRONT R/S REAR L/S	2
22	60114028000	FLASHER LENS L/S R/S TRANSP.06	4
23	60114027000	BULB 12V ORANGE (RY10W)	4
24	0433100003	WASHER 18x10,5x1,6	4
25	0797100003	LOCK WASHER DIN6797-J10,5 ZI	4
26	75014030000	FLASHER NUT M10X1,25 WS12	2
27	58414030000	HH COLLAR NUT M10X1,25 WS=13	2
30	75014040000	REAR LIGHT LED 07	1
31	0025050126	HH COLLAR SCREW M5x12 TX30	2
33	75014047000	LICENSE PLATE ILLUMINATION 07	1
34	0081050181	SCREW FOR PLASTIC K50X18 T20	1
35	49011435100	BULB 12V 5W (W2,1X9,5D) PHIL.	1
40	75011076000	WIRING HARNESS REAR 07	1

087561410 / C087561410

\* NEW PART

X AS REQUIRED

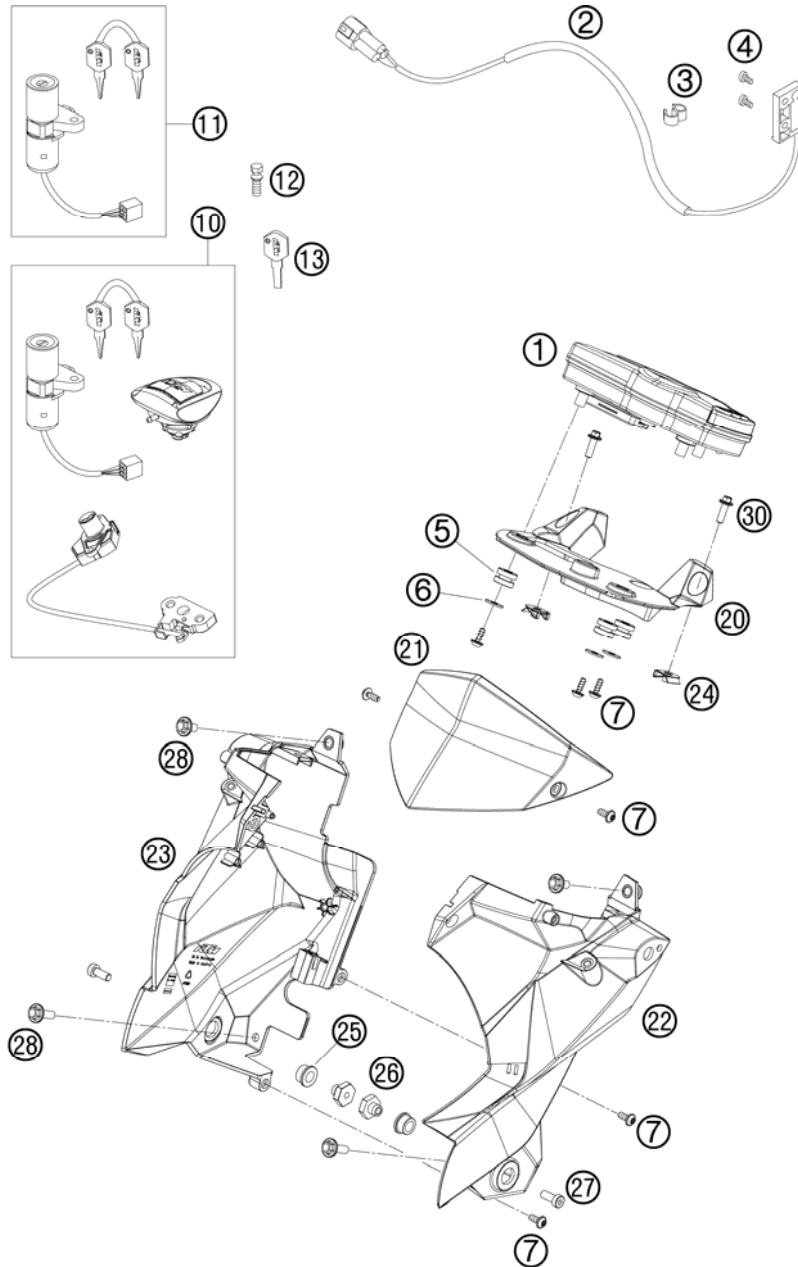


FIG	PART NUMBER	DESCRIPTION	QTY
1	75014069000	SPEEDOMETER 07 REPROGRAMMABLE KM/H - MPH	1
2	62514068100	SPEEDOMETER SENSOR 06	1
3	60111094000	CLAMP 5/7 MM 06	2
4	0084040083	CYL.HEAD SCREW DIN0084-M 4X8 A	2
5	58214069051	RUBBER GROMMET 16X10,8X3 02	3
6	0021050003	WASHER DIN9021-A 5,3	3
7	0081050121	SCREW FOR PLASTIC K50X12 T20	7
10	75011166044	LOCK SYSTEM 08	1
11	75011166000	IGNITION LOCK	1
12	60011064000	TAMPERPROOF SCREW F. IGN. LOCK	1
13	40011166100	KEY BLANK LC4/DUKE/LC8	1
20	75614060000	SPEEDOMETER BRACKET	1
21	75608065000	WINDSHIELD 08	1
22	75614062000	MASK BRACKET L/S	1
23	75614063000	MASK BRACKET R/S	1
24	54603048200	RANGE CHANGE METAL NUT M5	2
25	75608006000	RUBBER BUSHING 9X17X8,5	2
26	75608006050	THREADED BUSHING M6 SW17	2
27	0012060164	AH SCREW DIN6912 M6X16 SL	2
28	0024060206	HH COLLAR SCREW M6X20 TX30	4
30	0024050166	HH COLLAR SCREW M5X16 TX30	2

087561430 / C087561430

\* NEW PART

X AS REQUIRED

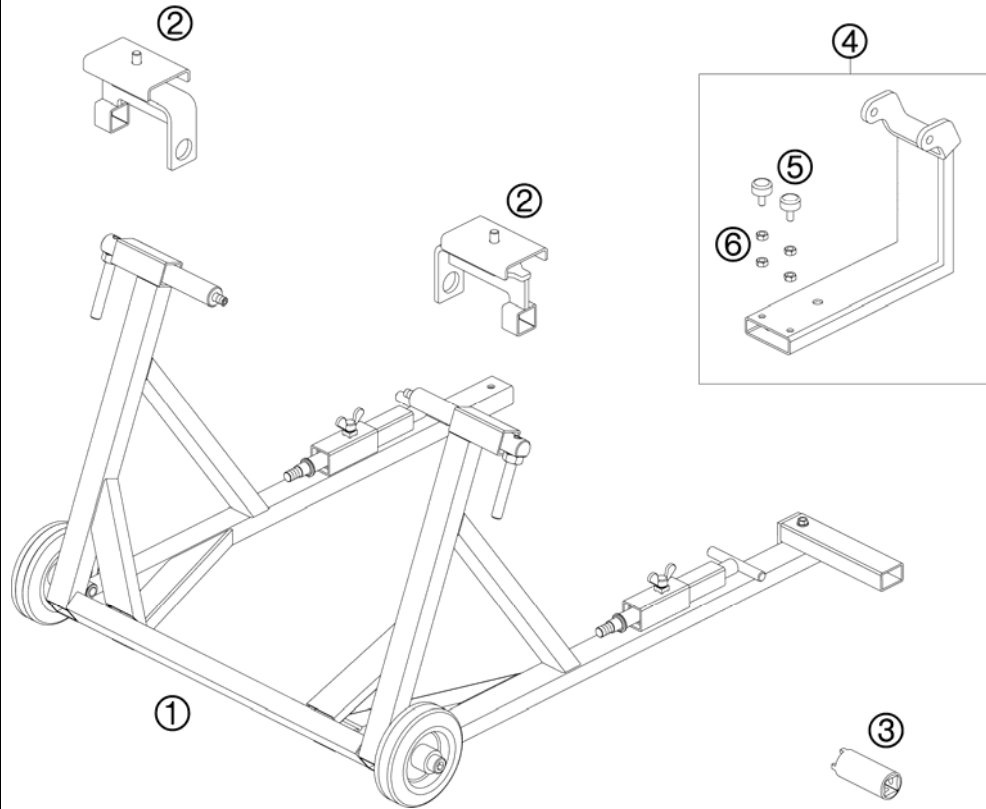


FIG	PART NUMBER	DESCRIPTION	QTY
1	62529055000	VEHICLE STAND 05	1
2	75029036000	BRACKET FOR ASSEMBLING RACK	2
3	75029034000	SP. BROCKET SW.ARM BEARING ADJ	1
4	75029055000	ATTACHMENT SHUNTING JACK CPL.	1
5	58303070000	STOP RUBBER M8	2
6	0934080003	HEXAGON NUT DIN0934-M 8	4

087501910 / C087501910

\* NEW PART

X AS REQUIRED

①  
OHNE ABBILDUNG  
WITHOUT ILLUSTRATION

①  
TECHNISCHE DOKUMENTATION  
TECHNICAL DOCUMENTATION  
DOCUMENTACION TECNICA  
DOCUMENTATION TECHNIQUE  
NOTE TECNICHE

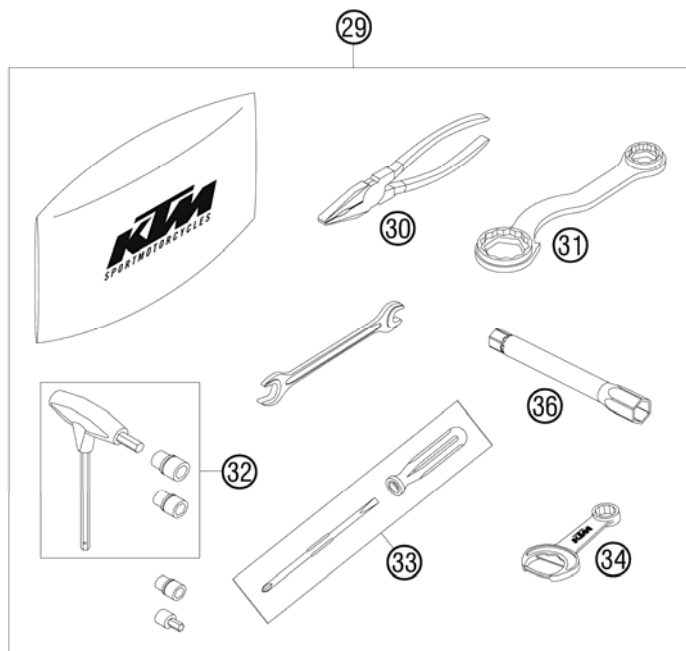


FIG	PART NUMBER	DESCRIPTION	QTY
0	0021060003	WASHER DIN9021-A 6,4	2
0	0024060156	HH COLLAR SCREW M6X15 TX30	2
0	0125050003	WASHER DIN0125-A 5,3	2
0	0966050163	OVAL HEAD SCREW DIN0966-M 5X16	2
0	0984060203	AH SCREW DIN6912-M 6X20 8.8	4
0	0985050003	SELF LOCKING NUT DIN0985-M 5	2
0	0985060003	SELF LOCK. NUT DIN0985-M 6	2
0	312305	DOCUMENTS BAG 2006	1
0	312313	KTM BALLPOINT ORANGE	1
0	40006006000	WASHER 6MM	2
0	58412040050	SUPPORT FOR MIRROR LC4 '98	2
0	58412080000	REFLECTOR RED LC4 '98	1
0	58412080050	BRACKET FOR REFLECTOR	1
0	60003040033	FOOTREST L/S+R/S CPL. 03	1
0	60012081200	LICENCE FITTING 06	1
0	61112040000	REVIEW MIRROR L/S 07	1
0	61112041000	REVIEW MIRROR R/S 07	1
0	75001094010	BUSHING MUD FLAP 07	2
0	75001094020	COLLAR BUSH 6,25X9,2X17X11 08	2
0	75608020000	FRONT SPOILER-CENTER PART	1
0	75608020010	RUBBER SLEEVE 9X17X7MM 08	2
0	7560802300020A	FRONT SPOILER L/S WHITE	1
0	7560802400020A	FRONT SPOILER R/S WHITE	1
0	75608067000	INSULATING DISK 6,2X16X3	2
1	3211248	OWNERS MANUAL 690 DUKE 08	1
29	75029099100	TOOL SET 08	1
30	53012028200	GRIP ORANGE B&F	1
31	50329080100	WRENCH SW=17/21/27/32 B&F	1
32	60029070200	T-WRENCH WS=6/8/10 TX=45 B&F	1
33	53012024100	SCREW DRIVER L=105MM	1
34	50329071000	WRENCH WS=13/17	1
36	75029072000	SPARK PLUG WRENCH	1

087562000 / C087562000

\* NEW PART

X AS REQUIRED











KTM-Sportmotorcycle AG  
A-5230 Mattighofen  
[www.ktm.at](http://www.ktm.at)

KTM Group Partner



3CF9725H7EN



Art.Nr.: 3CF9725H7EN 1/2008