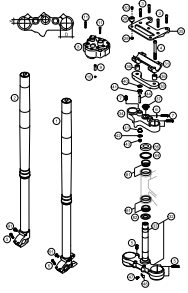
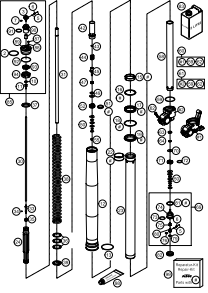
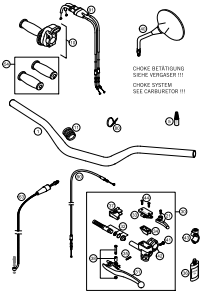
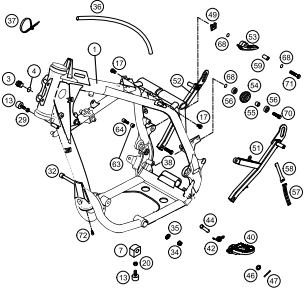
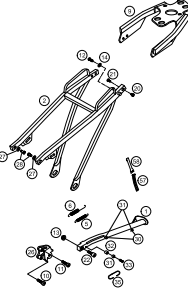
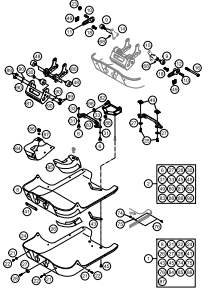
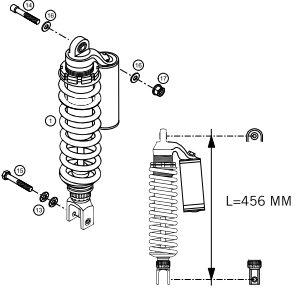
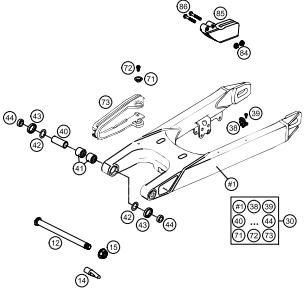
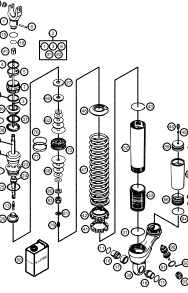
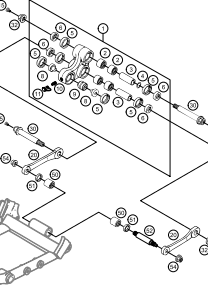
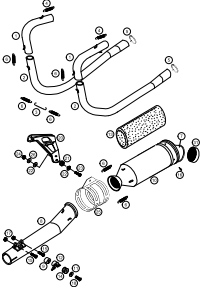
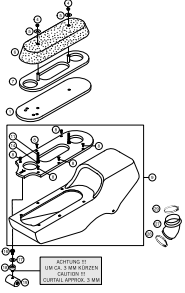
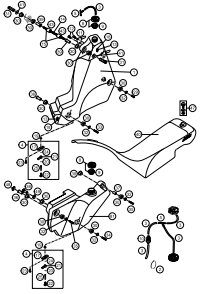
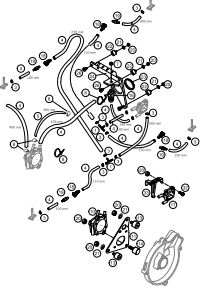
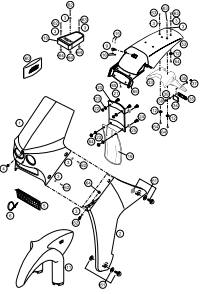
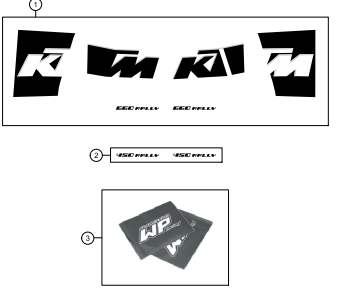
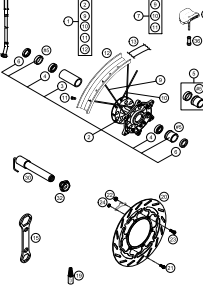
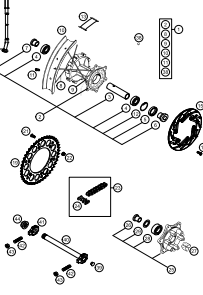
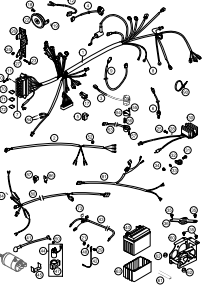
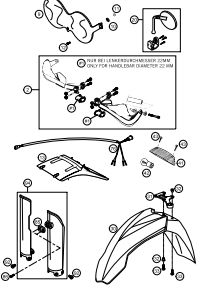
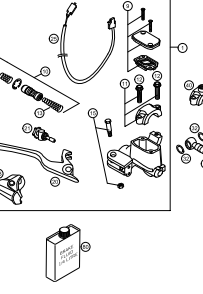
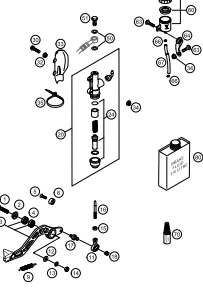
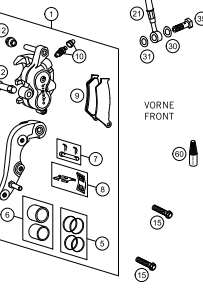
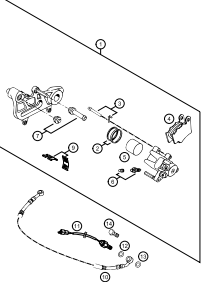


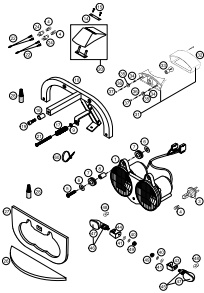
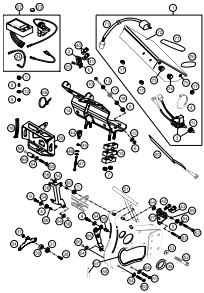

660 RALLY FACTORY REPLICA 2005

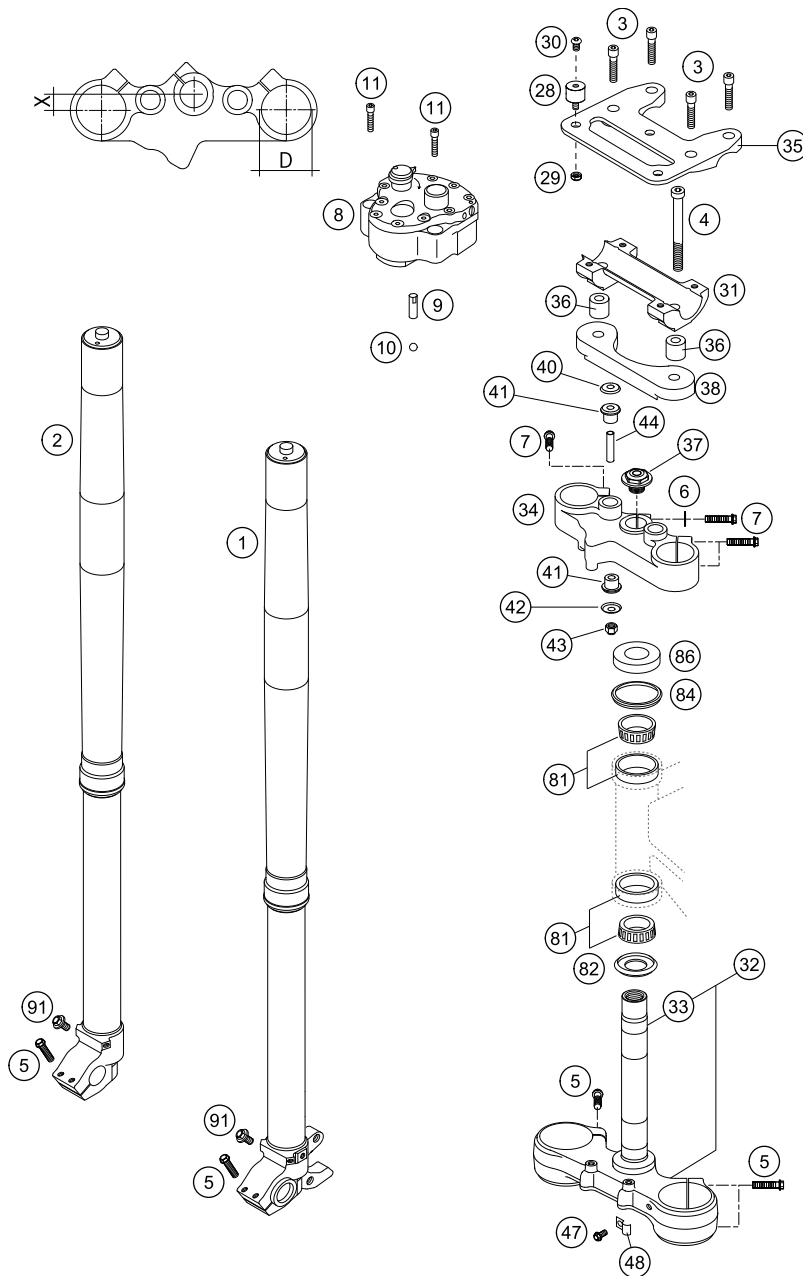
ART.-NR.: 3CF 9799E9EN



<p>FRONT FORK USD 48 WP</p>  <p>4</p>	<p>FORK LEGS WP USD 48 + PA</p>  <p>5</p>	<p>HANDLEBAR, CONTROLS</p>  <p>8</p>	<p>FRAME</p>  <p>9</p>
<p>SUB FRAME</p>  <p>10</p>	<p>ENGINE GUARD</p>  <p>11</p>	<p>SHOCK ABSORBER</p>  <p>13</p>	<p>SWING ARM</p>  <p>14</p>
<p>MONOSHOCK DISASSEMBLED</p>  <p>15</p>	<p>PRO LEVER LINKING 660 RALLYE</p>  <p>17</p>	<p>EXHAUST SYSTEM</p>  <p>18</p>	<p>AIRBOX</p>  <p>19</p>

<p>FUEL TANK, SEAT</p>  <p>20</p>	<p>FUEL SYSTEM</p>  <p>22</p>	<p>MASK, FENDERS</p>  <p>23</p>	<p>DECAL</p>  <p>24</p>
<p>FRONT WHEEL</p>  <p>25</p>	<p>REAR WHEEL</p>  <p>26</p>	<p>WIRING HARNESS</p>  <p>28</p>	<p>ACCESSORIES</p>  <p>30</p>
<p>HAND BRAKE CYLINDER</p>  <p>31</p>	<p>REAR BRAKE CONTROL</p>  <p>32</p>	<p>BRAKE CALIPER FRONT</p>  <p>33</p>	<p>BRAKE CALIPER REAR</p>  <p>34</p>

<p>LIGHTING SYSTEM</p>  <p style="text-align: right;">35</p>	<p>INSTRUMENTS</p>  <p style="text-align: right;">37</p>		
	<div style="display: flex; align-items: center;">  <p> All information contained is without obligation. KTM Sportmotorcycle GmbH particularly reserves the right to modify any equipment, technical specifications, prices, colors, shapes, materials, services, service work, constructions, equipment and the like so as to adapt them to local conditions or to cancel any of the above items, all without previous announcement and without giving reasons. KTM may stop manufacturing certain models without previous notice. KTM shall not be held liable for any deviations of availability and/or ability to deliver, illustrations, descriptions, printing and/or other errors. The illustrated models partly contain extra equipment, which is not applied to standard models. © by KTM Sportmotorcycle GmbH, Mattighofen AUSTRIA; All rights reserved; Reprint, also in extracts, with written allowance of KTM Sportmotorcycle GmbH, Mattighofen only. </p> </div>		



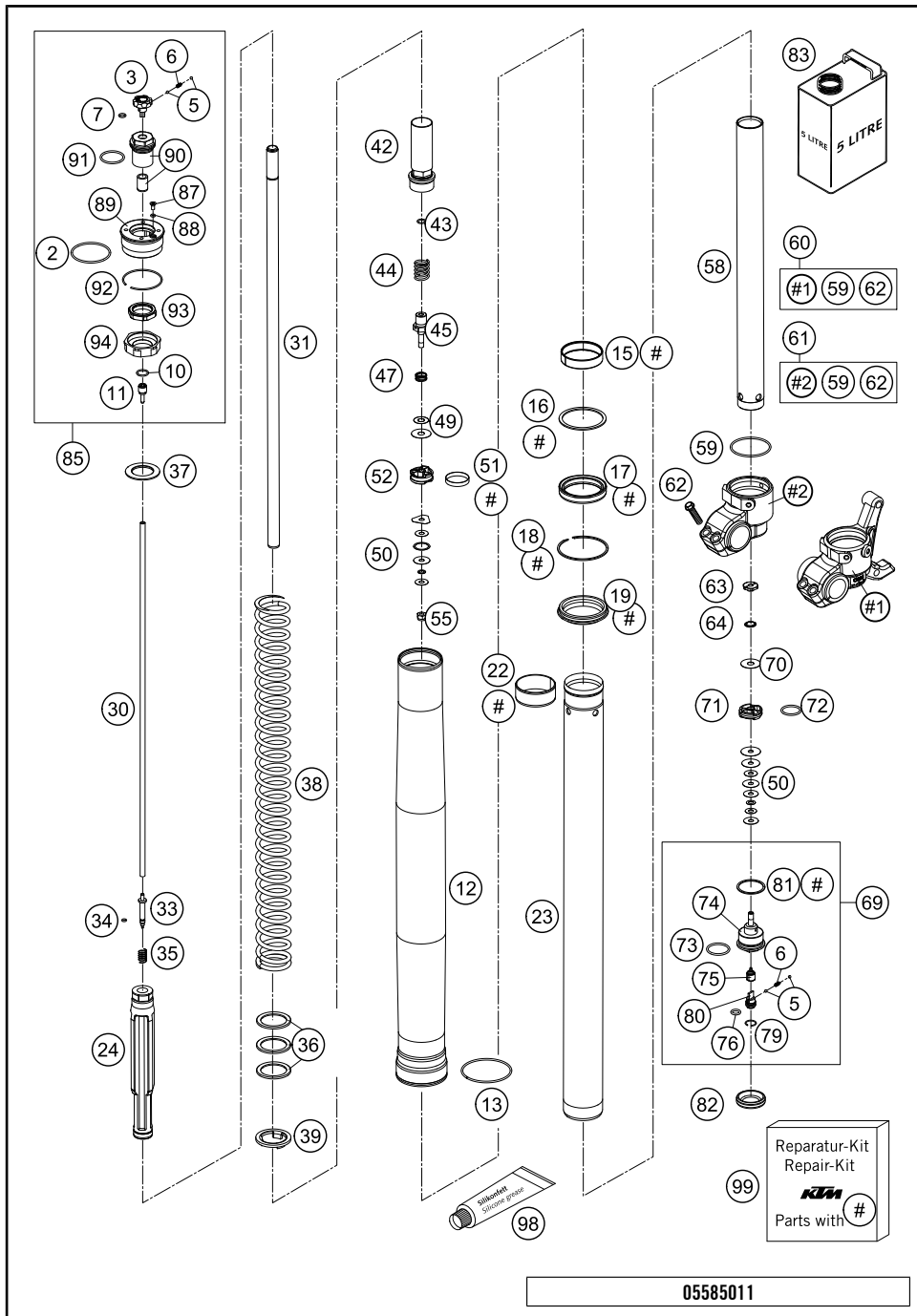
05585010

POS	PARTNUMBER	PARTNAME	PIECE
1*	14187A10LS	FORK LEG L/S WP48 RALLYE 05	1
2*	14187A10RS	FORK LEG R/S WP48 RALLYE 05	1
3	0912080303	AH SCREW DIN0912-M 8X30	4
4	0984101006	AH SCREW DIN6912-M10X100 SHORT HEAD	2
5	0015080303	% HH COLLAR SCREW M 8X30 WS=10	8
6	50233041100	PAIR OF WASHERS M10 NORDLOCK	1
7	0015080353	HH COLLAR SCREW M 8X35 WS=10	5
8	58512050000	STEERING DAMPER	1
9*	58502006100	PIN F.STEERING STAB. 8MM 05	1
10*	0401070003	BALL DIN5401-7	1
11*	0912060303	AH SCREW DIN0912-M 6X30	2
28	43205062100	RUBBER GROMMET 20X15-M6X10 (1)	3
29	0985060003	SELF LOCK. NUT DIN0985-M 6	3
30	0902060083	AH OVAL SCREW ISO 7380 M 6X8	3
31	59001039100	HANDLEBAR SUPPORT 28MM SC'99	1
32	59001132120	%BOT.TRIP.CL.CPL X=20MM/D=60MM	1
33	50101033100	% FORK TUBE L=244 '91	1
34	58501034020	TOP TRIPLE CLAMP RALLYE 2001	1
35	58502003000	GPS MOUNTING PLATE MILLED 2001	1
36	58502005051	HANDLEBAR BUSHING 17MM 01	2
37	50301036000	STEER.HEAD SCREW M20X1,5 WS=27	1
38	58502009000	HOLD.F.STEERING SHOCK ABSORBER	1
40	56401042000	WASHER 10,5X32X2	2
41	56401040000	RUBBER BUSHING	4
42	56401142000	WASHER 10,5X31	2
43	0985100003	SELF LOCKING NUT DIN0985-M10	2
44	56401041100	SPACER TUBE 10,2X12X44	2
47	0015050123	HH COLLAR SCREW M 5X12 WS=8	1
48	50211096000	CLAMP FOR WIRING HARNESS	1
81	54201081000	% TAPERED ROLLER BEARING CPL.	2
82	54601084100	%O-RING SUPPORT W. SEALING LIP	1
84	54601184000	STEERING HEAD GASKET TOP	1
86	54201086000	STEERING HEAD COVER	1
91	0014060103	% HH COLLAR SCREW M 6X10 WS=8	6

C05585010

* NEW PART

X ON DEMAND



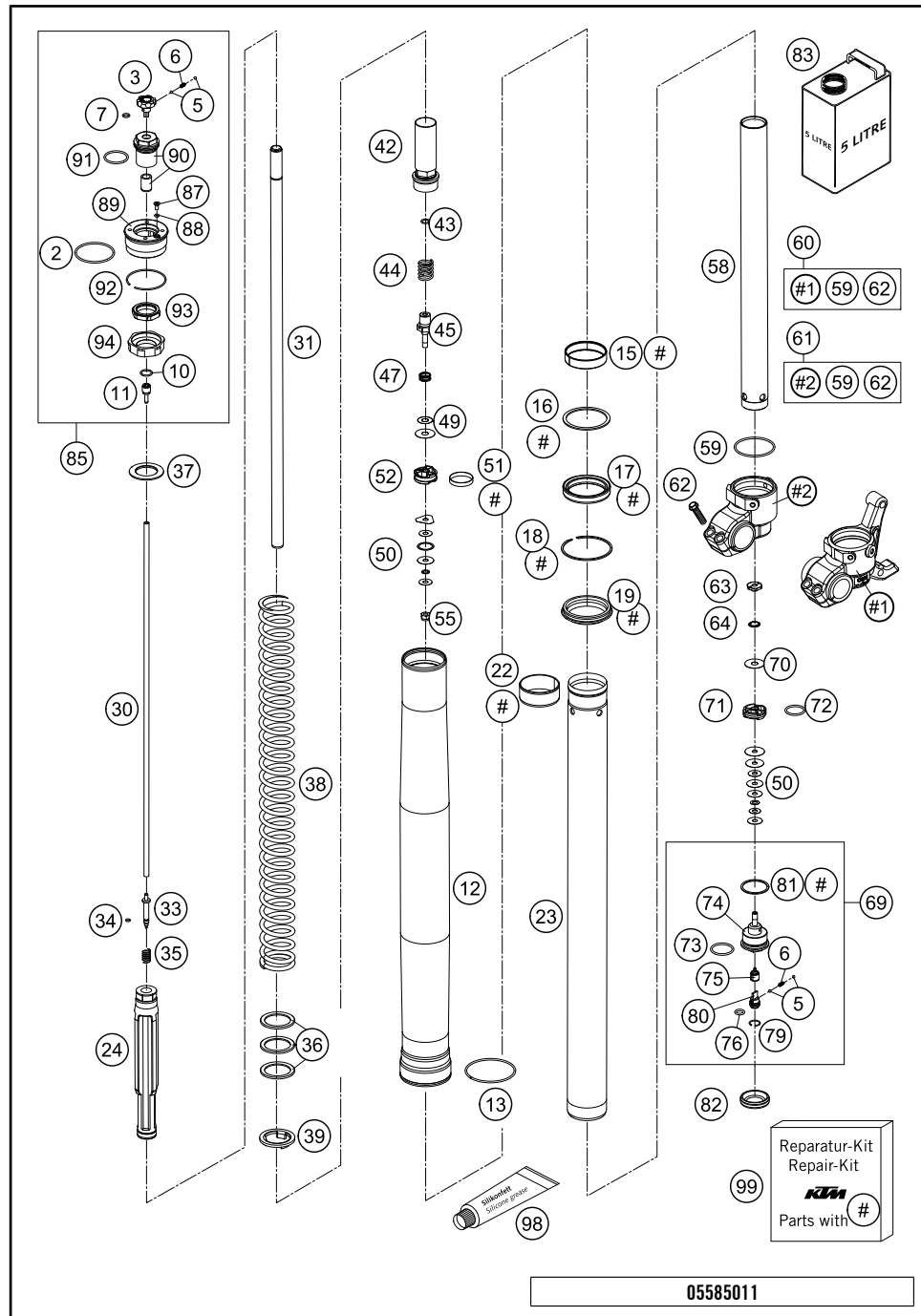
POS	PARTNUMBER	PARTNAME	PIECE
2	46810340	O-RING NBR 45X2	2
3	48600018	KNOB REBOUNG ADJUSTER	2
5	40540603	STEEL BALL D=3MM	8
6	48600028	SPRING D=2,9 L=7,9	4
7	48600044	O-RING NBR 6X1,5	2
10	48600043	O-RING NBR 12X1,5	2
11	48600019	HOLDER F.ADJUSTMENT TUBE D=4MM	2
12*	48600421E	OUTER T. L=577 D=54/60 2L ANTR	2
13	48600016	GUIDING RING D=58MM	2
15	48600205	% DU-BUSH 48X52X12	2
16	48600013	SUPPORT RING 50 X 57,6 X 1,5	2
17*	48600399	OIL SEAL RING 48X57,8X9,5	2
18	48600070	LOCK WASHER SB58	2
19*	48600400	% DUST CAP D=48 58,4X11,8	2
22	48600204	% DU-BUS 47X49X20	2
23*	48600417	INNER TUBE D=48 L=595 2005	2
24*	48600380S	%HYDR.STOP L=200MM D=31,9 CPL.	2
30	48600092	ADJUSTMENT TUBE L=517MM	2
31*	48600409	PISTON ROD D=14 L=551 M11X1	2
33	48600189	NEEDLE REBOUND 2003	2
34	48600046	O-RING NBR 3X1,5	2
35	48600033	SPRING REBOUND NEEDLE C=4N/MM	2
36	48600113	WASHER 32X42X2,5	2
36	48600036	SPACER 42X26,5X2,5	2
36	48600037	SPACER 42X26,5X5	4
36	48600053	SPACER 42X26,5X1,5	4
37	48600154	SPACER 43,2X33X15	2
38	91410017S	SPRING 4,8N/MM SET	1
39	48600021	INTERM. RING 26,2 X 43 X 3	2
42*	48600383S	SCREW SLEEVE M29,3X1 L=90 CPL.	2
43	48600239	O-RING NBR 8X1,25	2
44*	48600403	REBOUND SPRING D=15MM L=34,5MM	2
45	48600203	TAB REBOUND D=3 03	2
47	35480377	SPRING CHECK VALVE D=0,5	2
49	43570120	SHIM 8X18X0,10	2
49	48600062	CHECK VALVE 8X24X0,1	8
49	48600215	CHECK VALVE 8X20X0,1	2
49	48600216	CHECK VALVE 8X22X0,1	2

05585011

C05585011

* NEW PART

X ON DEMAND

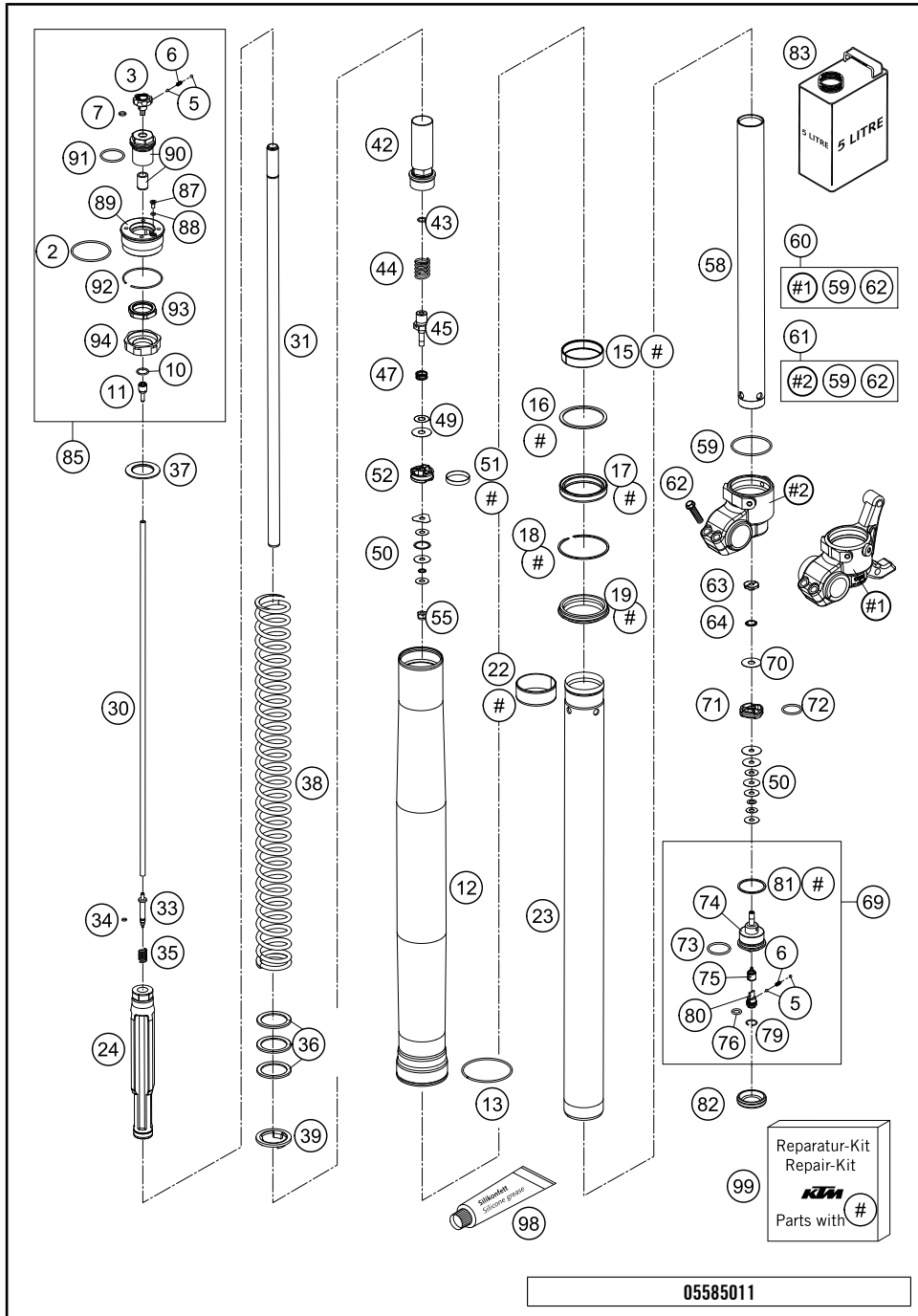


05585011

POS	PARTNUMBER	PARTNAME	PIECE
49	48600218	BACKPLATE 8X11X0,40	2
50	48600063	SHIM 6X24X0,1	X
50	48600064	SHIM 6X22X0,1	X
50	48600065	SHIM 6X20X0,1	X
50	48600116	SHIM 6X24X0,1 DELTA	X
50	40540401	SHIM 6X14X0,1	X
50	40540402	SHIM 6X16X0,1	X
50	40540403	SHIM 6X18X0,1	X
50	40540405	SHIM 6X14X0,15	X
50	40540406	SHIM 6X16X0,15	X
50	40540414	SHIM 6X16X0,25	X
50	40540415	SHIM 6X18X0,25	X
50	40540447	SHIM 6X10X0,3	X
50	40541402	SHIM 6X11X0,2	X
50	40541404	SHIM 6X10X0,1	X
51	48600060	PISTON RING 5X1X84	2
52	48600201	PISTON REBOUND B=11,2	2
55	40540486	NUT M6X0,5 REBOUND	2
58	48600081	TUBE 29,3X1X390 D=8,5MM	2
59	48600048	O-RING NBR 46 X 2	2
60*	48600171S	AXLE CLAMP L/S CPL. RALLYE 05	1
61*	48600170S	AXLE CLAMP R/S CPL. RALLYE 05	1
62	0015080303	% HH COLLAR SCREW M 8X30 WS=10	4
63	48600163	CHECK VALVE NUT M6X0,5 D=2	2
64	48600202	SPRING CHECK VALVE D=0,7	2
69	48600152S1	% TAP COMPRESSION CPL. 03	2
70	48600061	CHECK VALVE 8X24X0,4	2
71	48600047	PISTON COMPRESSION D=27,9	2
72	46811499	O-RING NBR 21X2	2
73	35480320	O-RING NBR 24X2	2
74	48600152	% TAP COMPRESSION	2
75	48600190	NEEDLE COMPRESSION 2003	2
76	48600049	O-RING NBR 8X2	2
79	48600051	LOCK WASHER RB12	2
80	48600034	COMPRESSION ADJ. SCREW	2
81	48600004	COPPER WASHER 29,5X33,5X1	2
82	48600141	RUBBER CAP D=35MM	2
83*	48600401S1	% FORK OIL SAE5 5L 2005	1

C05585011

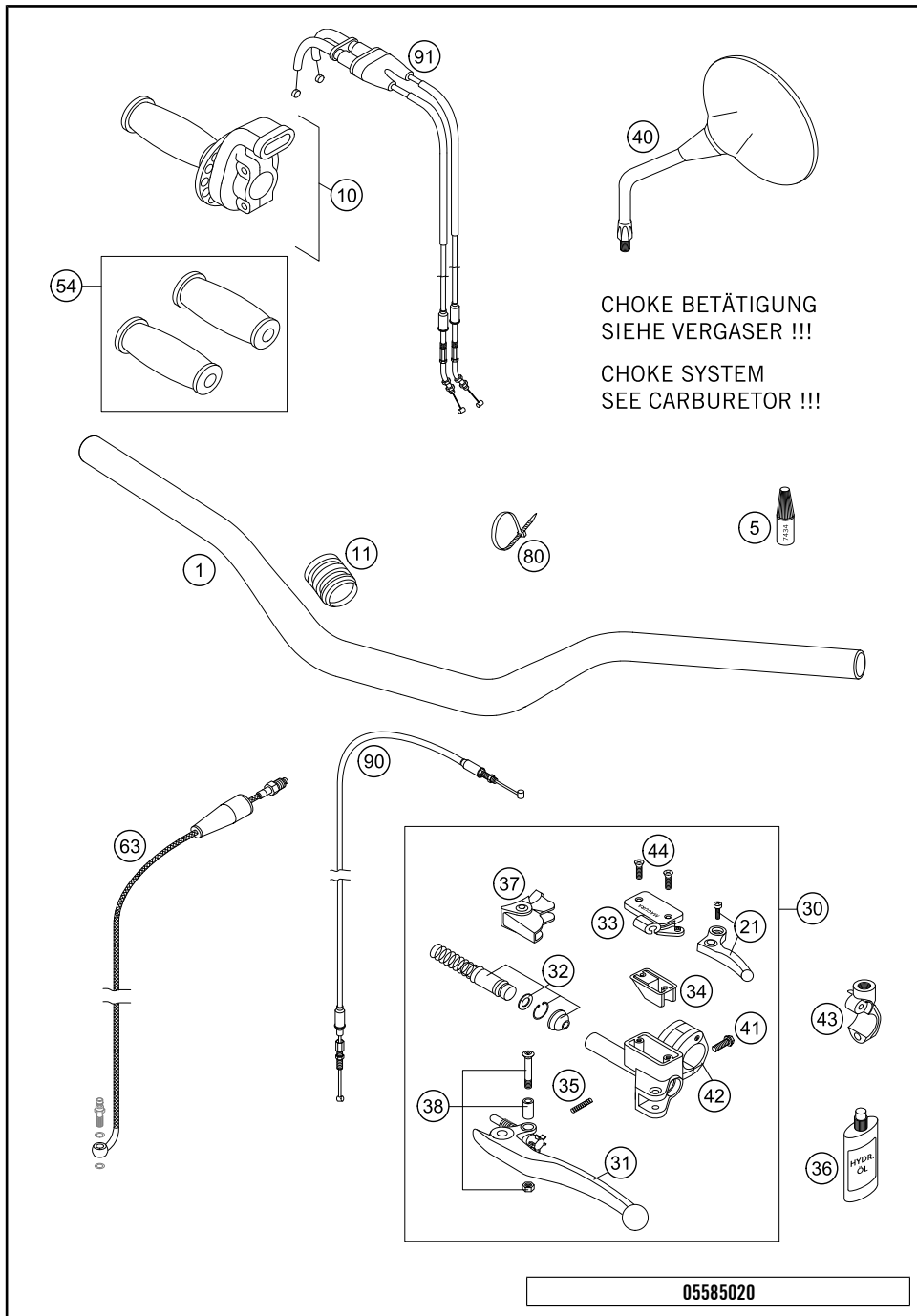
* NEW PART X ON DEMAND



POS	PARTNUMBER	PARTNAME	PIECE
		1,22 LITRE	
85	48600075S	PRE-LOAD ADJUSTER CPL.(1 PC.)	2
87	48600076	% VENT SCREW M4X8	2
88	48600046	O-RING NBR 3X1,5	2
89	48600075	SCREW CAP M51X1,5	2
90	48600073S	ADAPTER ADJUST. KNOB + BUSHING	2
91	48600077	O-RING NBR 26X2	2
92	46810010	CIRCLIP 49X1,5	2
93	48600072	LOCKNUT	2
94	48600071	SUPPORT RING FOR SPRING	2
98*	T511	SILICONE GREASE F. DUST STRI	1
99*	R14009	REPAIR-KIT GASKET 4860 MXMA 05	1

C05585011

* NEW PART X ON DEMAND

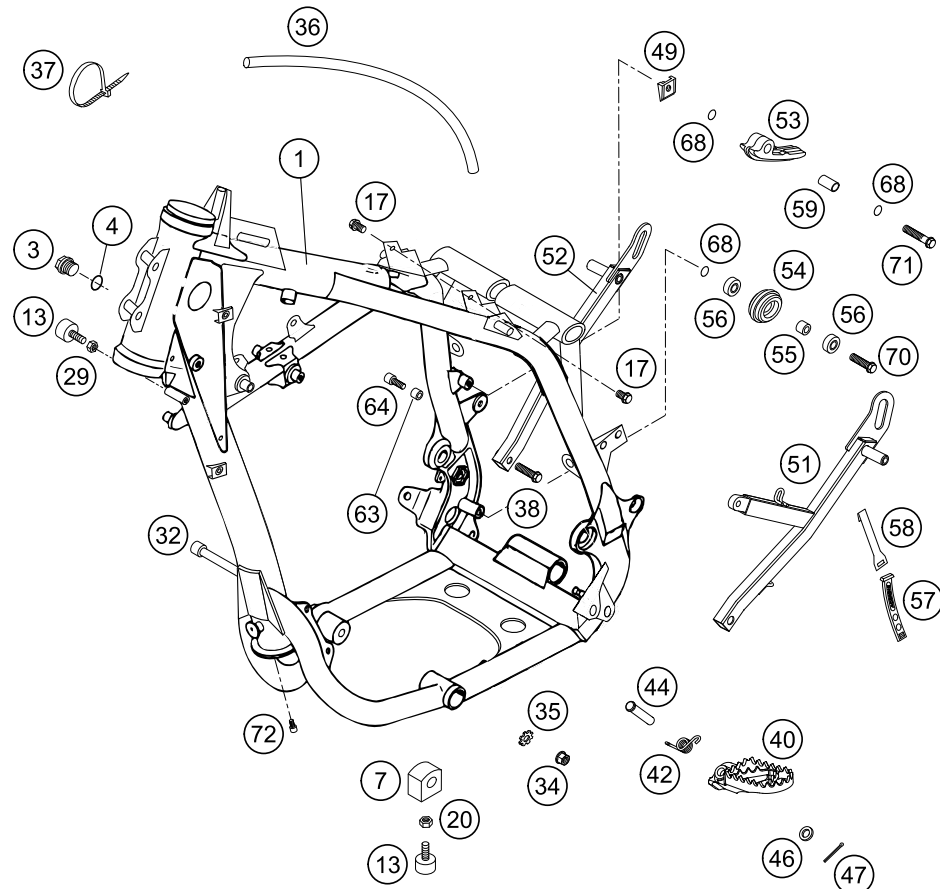


POS	PARTNUMBER	PARTNAME	PIECE
1	58402001000	HANDLEBAR ALU LC4, ADVENTURE02	1
5	6899792	% GRIP GLUE	1
10	58502010000	THROTTLE GRIP 02	1
11	54605057000	RUBBER SLEEVE D=21MM/23MM '93	1
21	59002047000	LEVER CPL. RACING 2000	1
30	59002030100	MASTER CYLINDER CPL. RACING 03	1
31	59002031000	CLUTCH LEVER LONG CPL. 2003	1
31	54602031000	CLUTCH LEVER SHORT CPL. 2003	x
32	59002032000	REP.KIT PISTON 9,5MM RAC. 2000	1
33	59002033000	COVER HYD.CLUTCH RACING 2000	1
34	50302034000	RUBBER FOR RESERVOIR '98	1
35	59002035000	SPRING FOR CLUTCH LEVER 03	1
36*	50302036200	OIL FOR HYD. CLUTCH 100 ML	1
37	50302037000	PROTECT.CAP FOR LEVER PERCH'98	1
38	50302038000	LEVER SCREW CPL. 125-200 '98	1
40	58412040100	REAR MIRROR L/S+R/S LC4 2001	2
41	0015060203	HH COLLAR SCREW M 6X20 WS=8	1
42	50302030150	CLAMP WITH PIN 2000	1
43	59002044000	CLAMP MIRROR WITH PIN	1
44	0965040123	FLAT HEAD SCREW DIN0965-M 4X12	2
54	58502039044	RUBBER GRIPS PER GRIP 96-05	1
63	50332063100	CLUTCH PIPE 125/200 2003	1
80	44011076200	CABLE TIE 200/3,6MM BLACK	x
90	58502094000	DECOMPRESSION CABLE 04	1
91	59002091200	THR.CABLE"OPEN-CLOSE" RAC.2000 CONSTRUCTION FOR KNEE PIECE	1

05585020

C05585020

* NEW PART X ON DEMAND

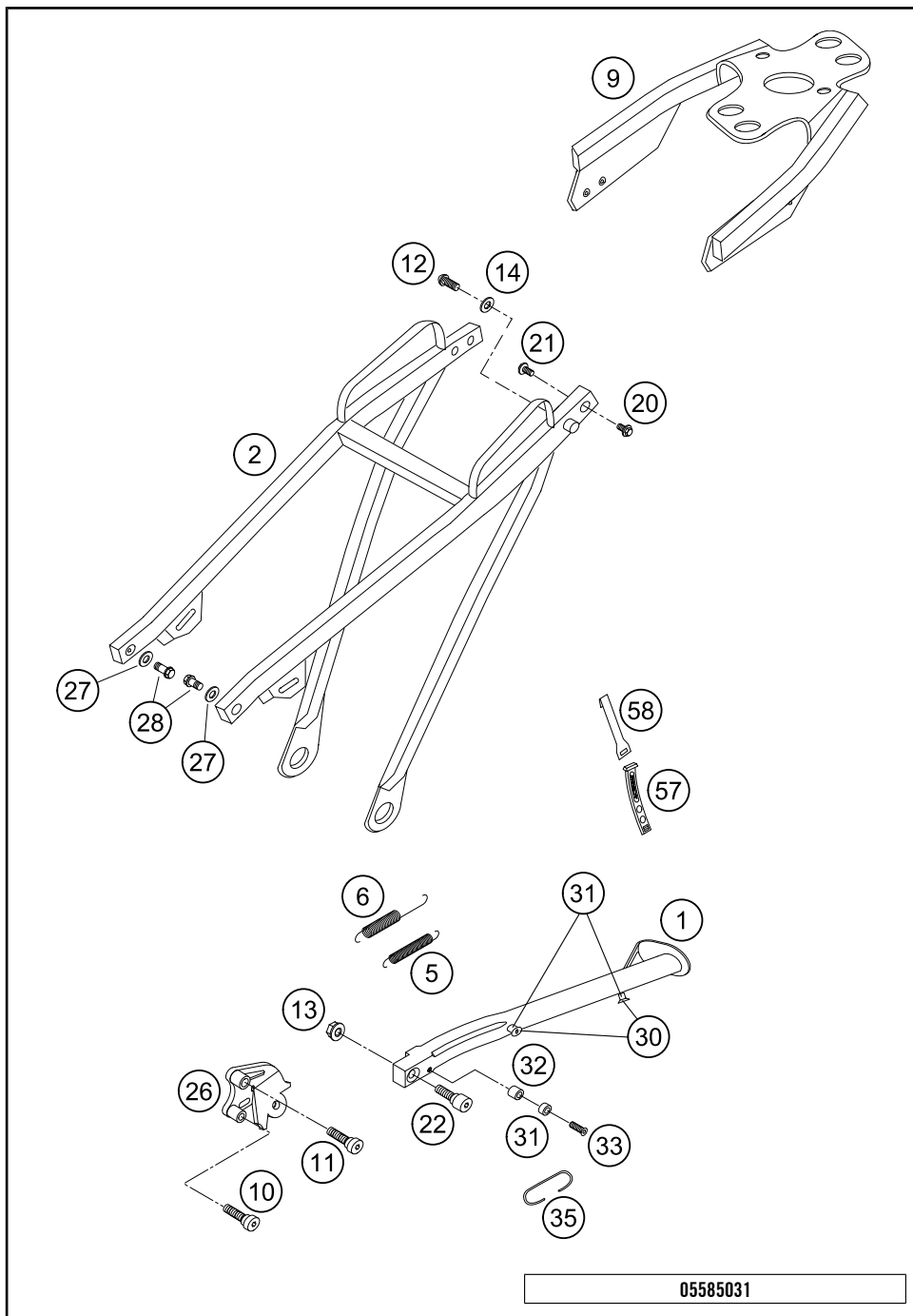


POS	PARTNUMBER	PARTNAME	PIECE
1	5850300144490	FRAME 660 RALLYE E-START'2001	1
3	0910160153	PLUG DIN0910-M16X1,5	1
4	0603162220	CU-SEAL RING 16X22X2	1
7*	58503012100	ENGINE PROT. BRACKET 22 2005	2
13	58303070000	STOP RUBBER M8	4
17	0015050123	HH COLLAR SCREW M 5X12 WS=8	2
20	0934080003	HEXAGON NUT DIN0934-M 8	2
29	0934080003	HEXAGON NUT DIN0934-M 8	2
32	0912101603	AH SCREW DIN0912-M10X160	1
34	54630044000	COLLAR NUT M10 WS=13	1
35	0797100003	LOCK WASHER DIN6797-J10,5 ZI	2
36	54435024001	HOSE ID 7,5 PER METER	x
37	44011076100	% CABLE TIE 100/2,5MM BLACK	2
38	0912060203	AH SCREW DIN0912-M 6X20	x
40	59003040250	% FOOT PEG L/S SILVER 02	1
40	59003041250	% FOOT PEG R/S SILVER 02	1
42	54603041000	FOOTREST SPRING L/S & R/S	2
44	54603044000	BOLT FOR FOOTREST 9,8 X 50	2
46	0125100003	WASHER DIN0125-A10,5	2
47	0094032253	PIN DIN0094-3,2X25 STEEL	2
49	54603048000	RANGE CHANGE METAL NUT M8	x
51	58503002410	TANK HOLDER DOWN L/S 04	1
52	58503002430	TANK HOLDER DOWN R/S 04	1
53	54804067000	CHAIN SLIDING PIECE 03	1
54	52303053100	CHAIN ROLL D=35MM 125-380 '99	1
55	74003021000	BUSHING 8.2 X 12 X 6	1
56	0625006087	GROOVED BALL BEAR. 608 2RS C3	2
57	54611186000	RUBBER BAND	1
58	58503023170	SIDE STAND RUBBER-RET.PANEL 01	1
59	51103053051	BUSHING 8,2X10X20	1
63	54305069000	BUSHING 7X12X15,4	1
64	0912060203	AH SCREW DIN0912-M 6X20	x
68	36003014000	LOCK WASHER 8MM	x
70	0015080353	HH COLLAR SCREW M 8X35 WS=10	x
71	0015080603	HH COLLAR SCREW M 8X60 WS=10	1
72	0984060103	AH SCREW DIN7984-M 6X10	1

05585030

C05585030

* NEW PART X ON DEMAND

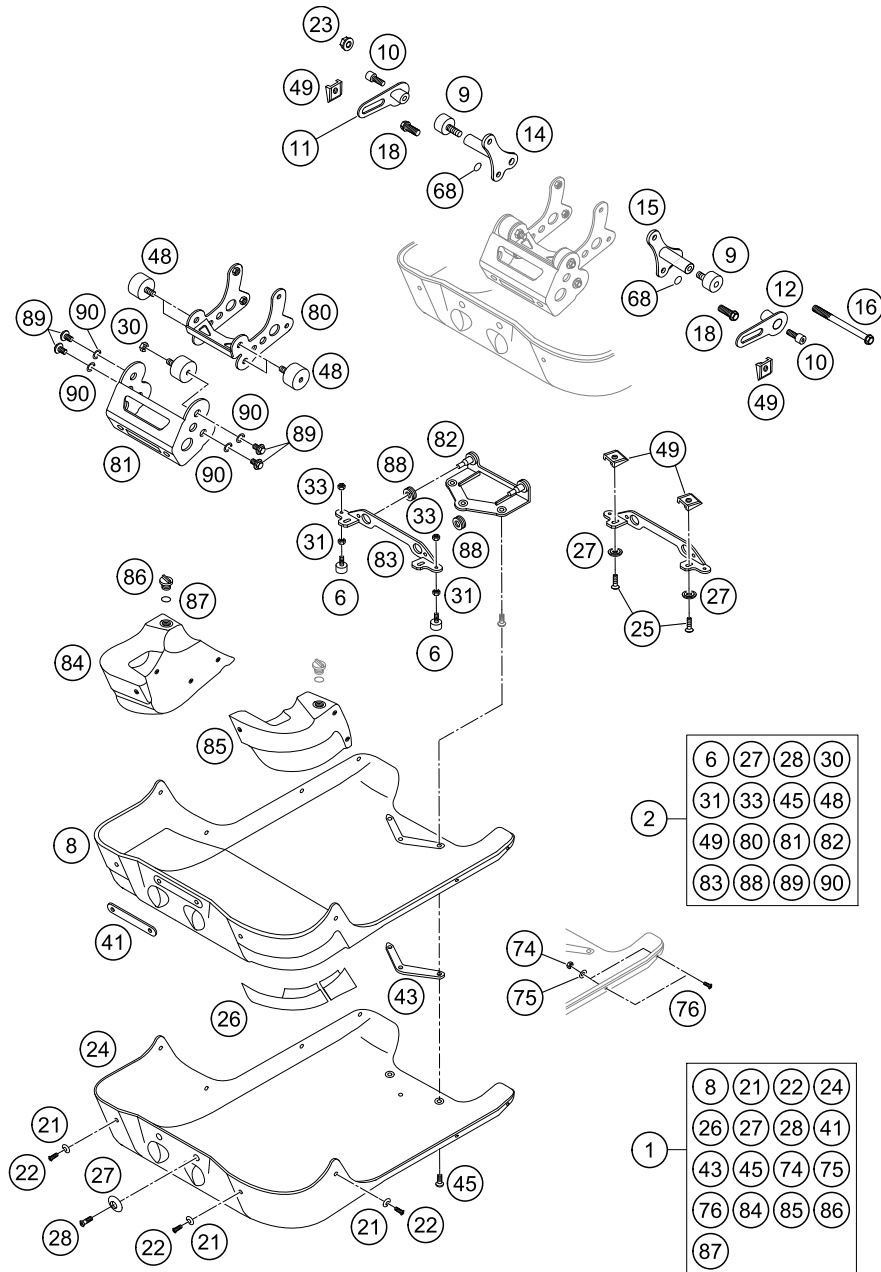


POS	PARTNUMBER	PARTNAME	PIECE
1*	58503023200	% SIDE STAND RALLYE L=430 01	1
2	58503002300	SUB FRAME STEEL RALLY 2001	1
5	58403030000	SIDE STAND SPRING D=7,7MM '97	1
6	51003021000	SIDESTAND SPRING LONG	1
9	58503002340	SUB FRAME EXTENSION 2001	1
10*	0984100356	AH SCREW DIN7984 M10x35	1
11	0984100456	AH SCREW DIN6912 M10X45	1
12	54610052000	% SPROCKET SCREW-AH M8X20 WS=6	2
13	0985100003	SELF LOCKING NUT DIN0985-M10	1
14	58303061000	SPECIAL WASHER ALU 8 X 24 MM	2
20	0014060103	% HH COLLAR SCREW M 6X10 WS=8	2
21	0014060153	% HH COLLAR SCREW M 6X15 WS=8	2
22	58503023060	STAND SCREW RALLY 2001	1
26*	58503026250	% SIDE STANDING BRACKET CPL.	1
27	36003014000	LOCK WASHER 8MM	2
28	58503002001	HH COLLAR SCREW S.FRAME RAL.01 DIN0931-M 8X35 SEAT 20 MM	2
30	0991060153	FLAT HEAD SCREW DIN7991 M6X15	2
31	58011039000	SPACER BUSHING 6,5 X 8 X 7	3
32	54613038150	BUSHING 6,5X8X11	1
33*	0991060253	FLAT HEAD SCREW DIN7991-M 6X25	1
35*	58503031000	SPRING CLIP SIDE STAND 05	1
57	54611186000	RUBBER BAND	1
58	58503023170	SIDE STAND RUBBER-RET.PANEL 01	1

05585031

C05585031

* NEW PART X ON DEMAND



05585032

POS	PARTNUMBER	PARTNAME	PIECE
1	58512099344	ENG.PROTECTOR CARBON CPL. 2002	1
2	58553016144	ENG.PROTECTOR MOUNTING CPL. 02	1
6	58538010000	RUBBER GROMMET 20X11/M6X18 01	2
8	58512099340	ENGINE PROTECTOR CARBON 02	1
9	43205262000	RUBBER GROMMET 30X15-M8X12-(1)	2
10	0912080123	AH SCREW DIN912 M8X12	2
11	58562093051	TANK HOLDER FR. R/S OUTSIDE 01	1
12	58562092051	TANK HOLDER FR. L/S OUTSIDE 01	1
14	58562092050	TANK HOLDER FR.R/S INSIDE 01	1
15	58562093050	TANK HOLDER FR.L/S INSIDE 01	1
16	0931101103	HH SCREW DIN0931-M10X110	1
18	0015080203	HH COLLAR SCREW M 8X20 WS=10	2
21	58308045000	SPECIAL WASHER 7X12,5X20 BLACK	6
22	0991060163	FLAT HEAD SCR. DIN7991-M 6X16	6
23*	49009082000	SELF LOCKING NUT M10 FK8	1
24	58512099330	PC-OUTER HULL RALLYE LC4 02	1
25	54610052000	% SPROCKET SCREW-AH M8X20 WS=6	2
26	58512099360	STONE GUARD RAL. SET 02	1
27	58303061000	SPECIAL WASHER ALU 8 X 24 MM	4
28	54510052100	% SPROCKET SCREW-AH M8X26 WS=6	2
30	0985080003	SELF LOCKING NUT DIN0985-M 8	4
31	0934060003	HEXAGON NUT DIN0934-M 6	2
33	0985060003	SELF LOCK. NUT DIN0985-M 6	2
41	58512099341	BRACE PLATE FRONT 02	1
43	58512099342	BRACE PLATE REAR 02	1
45	0991080203	FLAT HEAD SCREW DIN7991 M8X20	3
48	43205262000	RUBBER GROMMET 30X15-M8X12-(1)	4
49	54603048000	RANGE CHANGE METAL NUT M8	x
68	36003014000	LOCK WASHER 8MM	x
74	0985050003	SELF LOCKING NUT DIN0985-M 5	4
75	0125050003	WASHER DIN0125-A 5,3	4
76	58512099365	LINTIL HEAD SCREW M5X12 AH 02	4
80	58553019000	ENG.PROTECT.BR.FRONT FRAME 02	1
81	58553016100	ENGINE PROTECTOR FRONT RAL 02	1
82	58553018000	ENG.PROTECTOR REAR TO PLUG 02	1
83	58553017000	ENGINE PROTECTOR REAR RAL 02	1
84	58512099351	WATERT.CARB.ENG.PROT. R/S 02	1
85	58512099350	WATERT.CARB.ENG.PROT. L/S 02	1

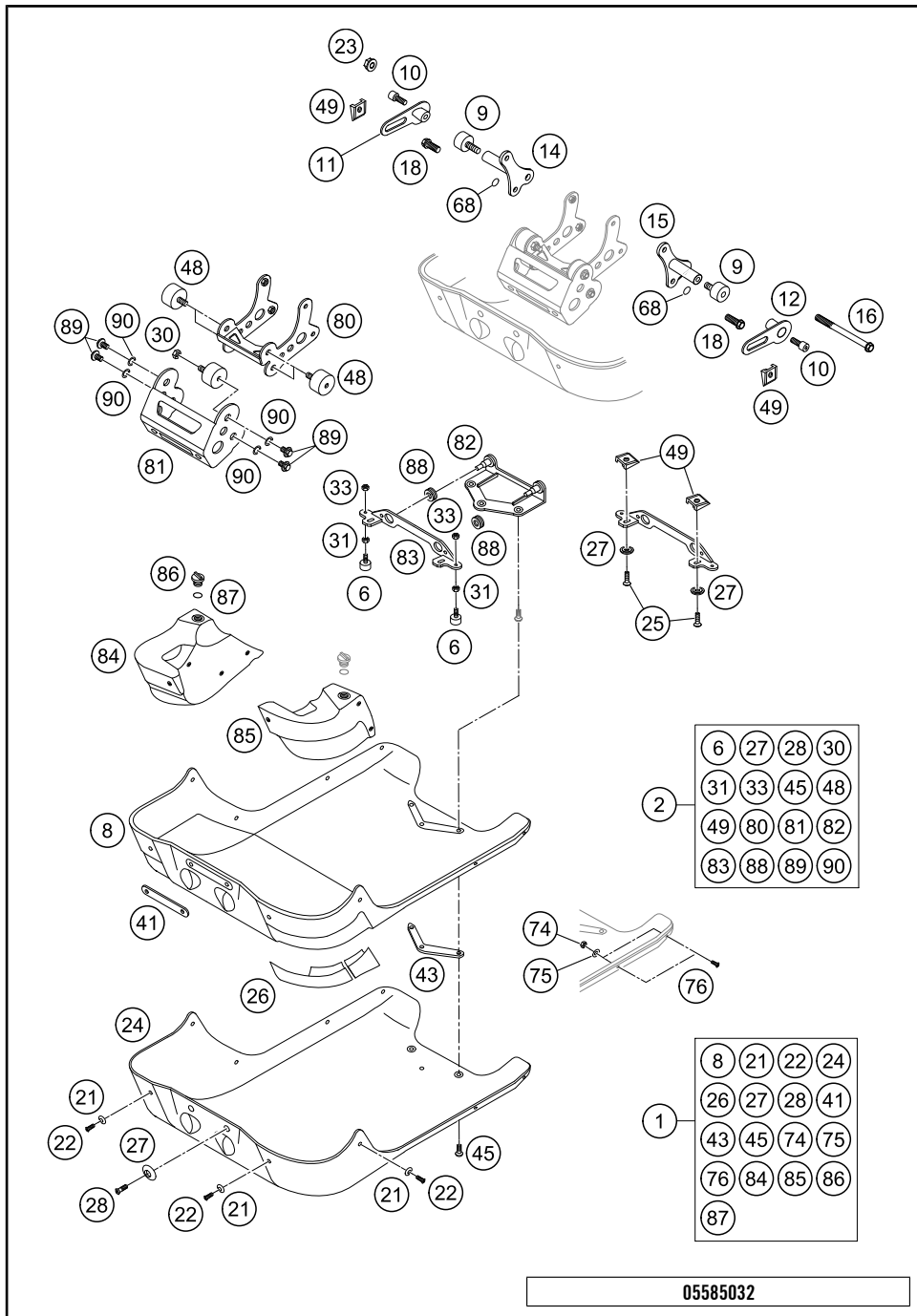
C05585032

* NEW PART

X ON DEMAND

ENGINE GUARD

660 RALLY FACTORY REPLICA 2005



POS	PARTNUMBER	PARTNAME	PIECE
86	58030020000	% PLUG M 24X3	2
87	0770160030	O-RING 16,00X3,00 NBR 70	2
88	54605068000	% EXHAUST BRACKET RUBBER BLACK	2
89	0933080103	HH SCREW DIN0933-M 8X10	4
90	0797080003	TOOTHLOCK WASHER DIN6797-J 8,4	4

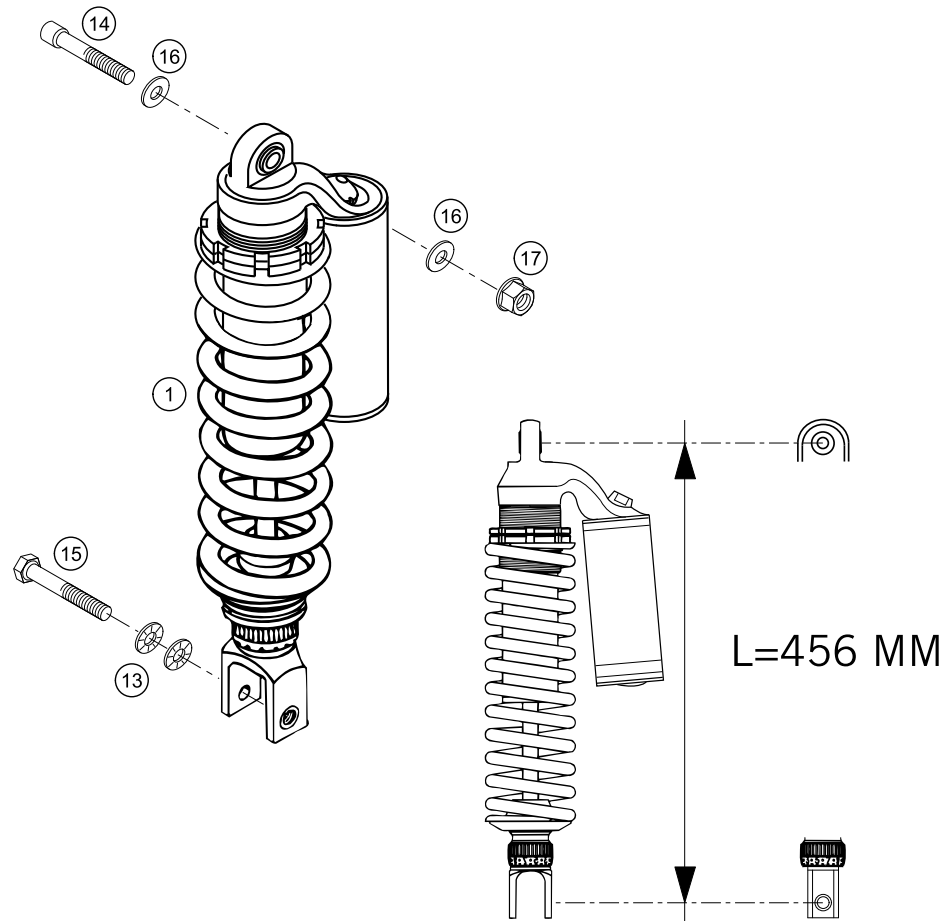
05585032

C05585032

* NEW PART X ON DEMAND

SHOCK ABSORBER

660 RALLY FACTORY REPLICA 2005



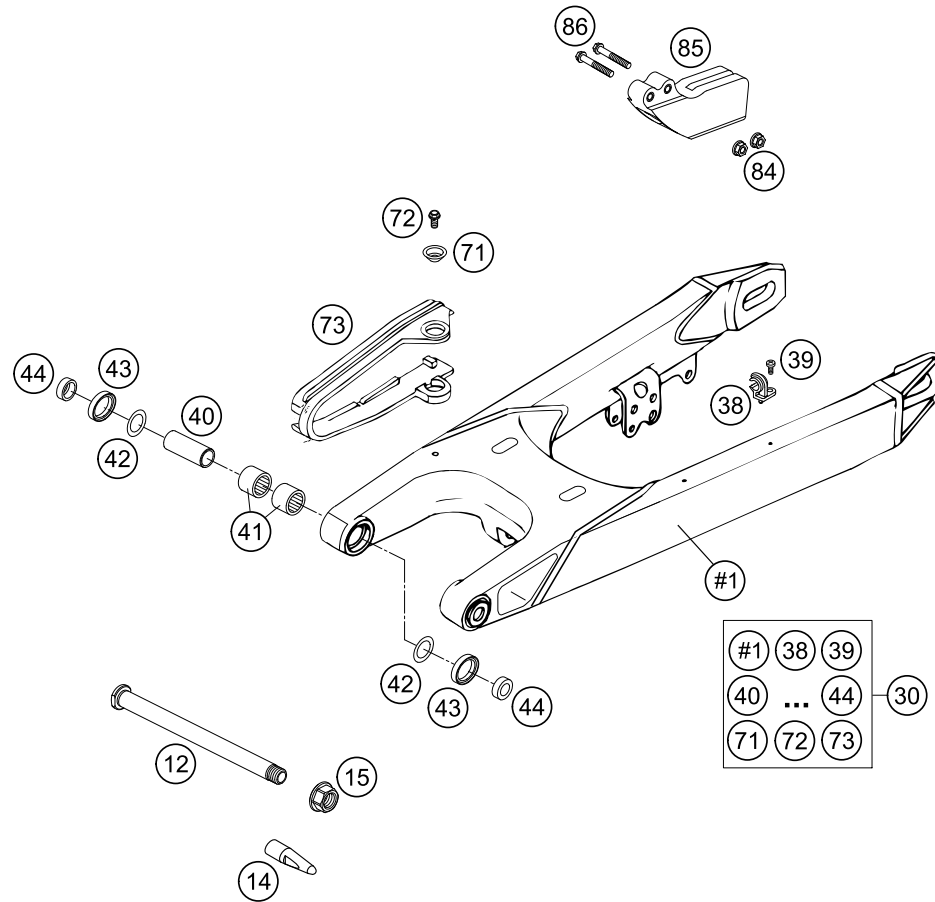
POS	PARTNUMBER	PARTNAME	PIECE
1*	01187A07	MONOSHOCK 450-660 RALLYE 2005	1
13	50233041100	PAIR OF WASHERS M10 NORDLOCK	1
14*	58503086200	MONOSHOCK SCREW M10 05	1
15	56503093000	SPECIAL SCREW M10X55 WS=17	1
16	58503087000	WASHER F. SCREW F.MONOSHOCK 01	2
17	54630044000	COLLAR NUT M10 WS=13	1

05585040

C05585040

* NEW PART

X ON DEMAND



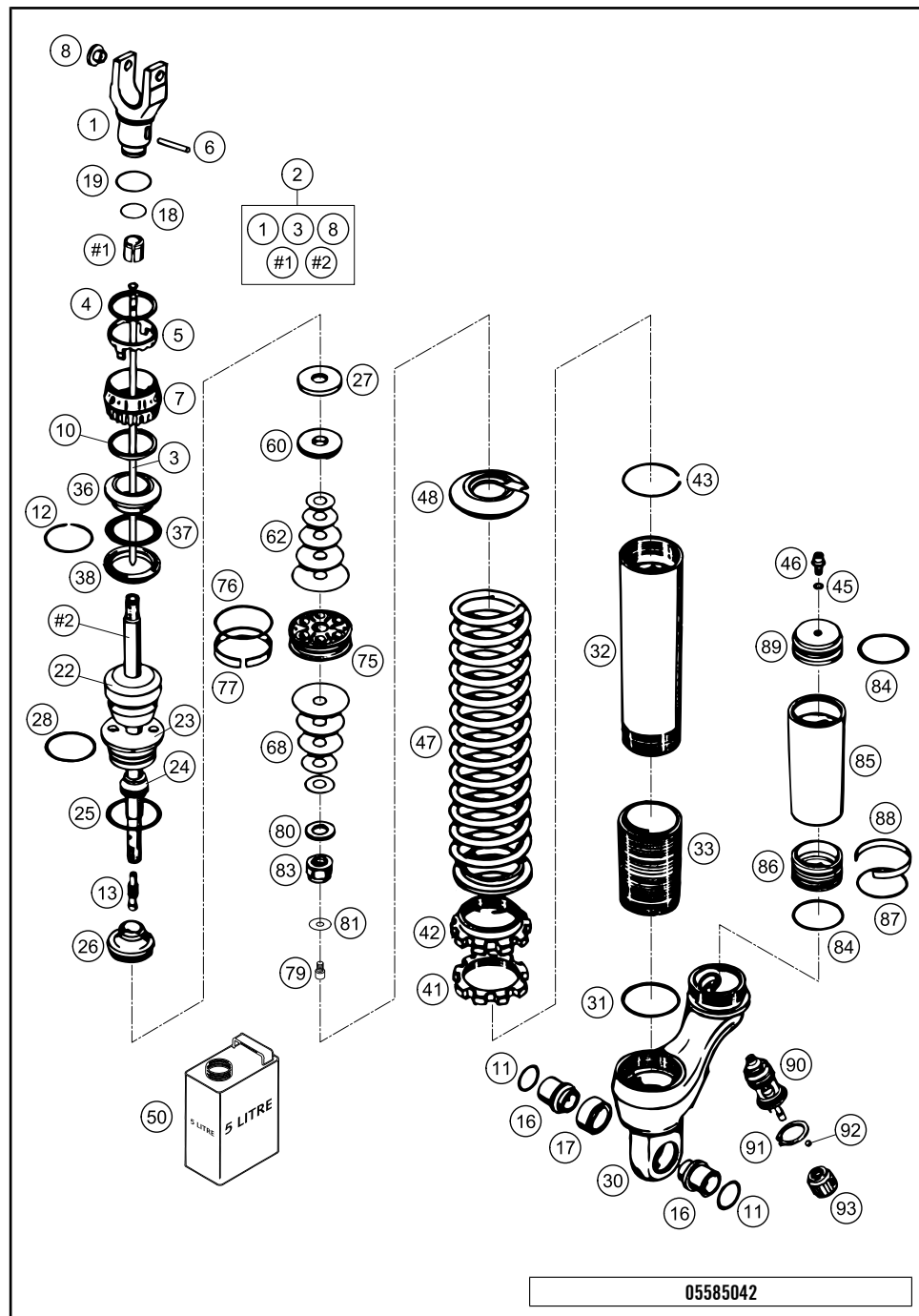
POS	PARTNUMBER	PARTNAME	PIECE
12	54603014100	SWINGARM BOLT KPL. L=253	1
14	58503014001	SPECIAL TOOL F.SWINGARMBOLT 01	1
15	54603015000	SELF LOCKING NUT M14X1,5 WS=19	1
30*	58504030344	SWINGARM RALLYE CPL. 05	1
38	54611076100	RETAIN.CLAMP FOR BRAKE HOSE'96	2
39	0010050103	SPECIAL SCREW M 5,0X10	2
40	50203081700	BUSHING SLEEVE 15X20X38,75	2
41*	59004031000	NEEDLE BUSH HK2012V	4
42*	54603036000	STOP DISK 22,2X31,7X1	2
43	0760253270	SHAFT SEAL RING 25X32X7	4
44	54603090000	BUCKET F.SHAFTSEALRING 15X25X9	4
71	72210079000	BUCKET	2
72	0015060103	% HH COLLAR SCREW M 6X10 WS=8	2
73	58307073000	CHAIN SLIDING GUARD DUKE'94	1
84	56509064100	SELF LOCKING NUT M6 10.9	2
85	54607066100	CHAIN GUIDE REAR '94	1
86	0015060353	% HH COLLAR SCREW M 6X35 WS=8	2

05585041

C05585041

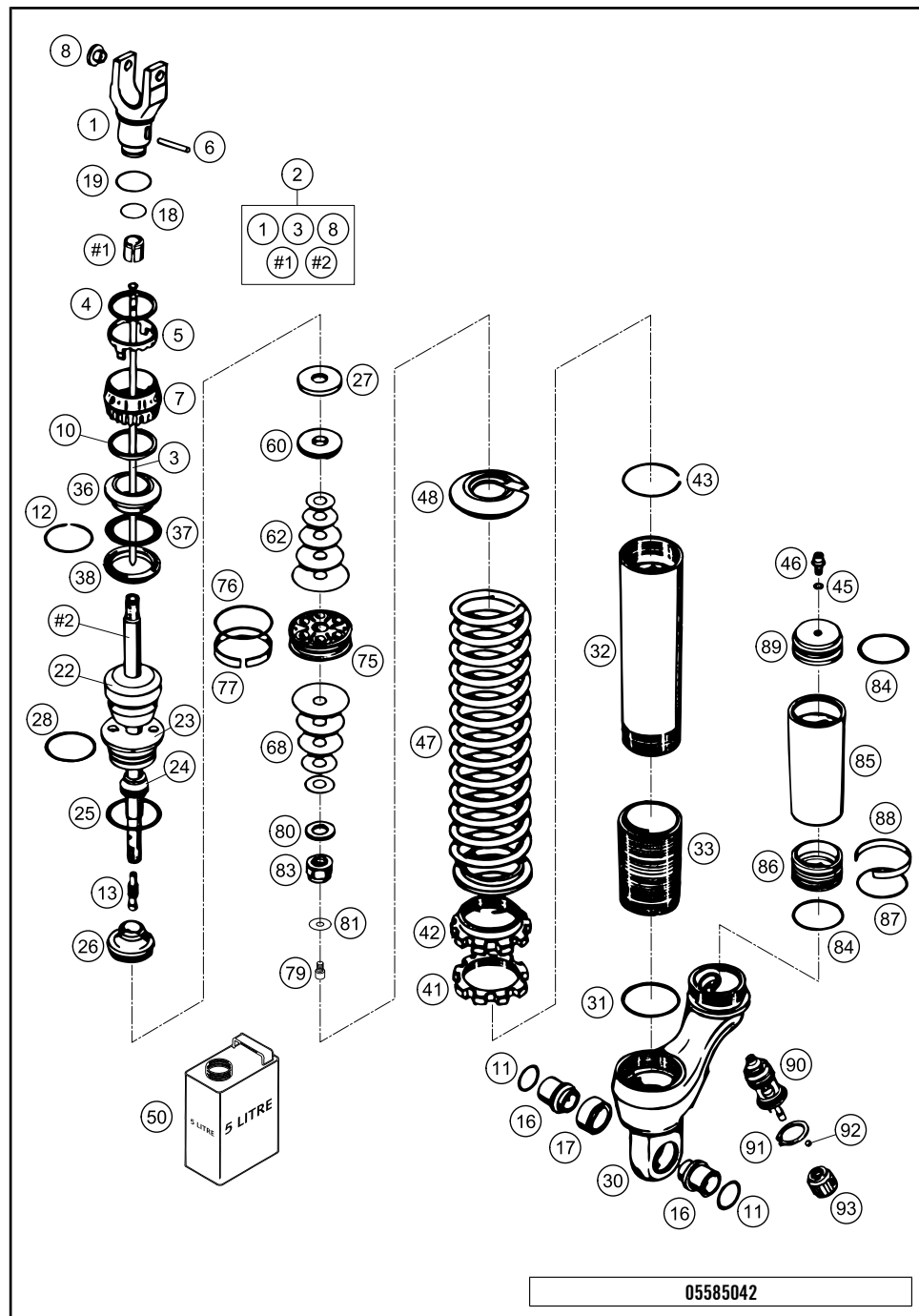
* NEW PART

X ON DEMAND



POS	PARTNUMBER	PARTNAME	PIECE
1	46811558	% SHOCK ABS. BOTTOM-FORK L75B	1
2*	46811560S	PISTON ROD D=14 BA M14X1	1
3*	46811545S	NEEDLE CPL. D=4 BA, L=183	1
4	46811222	O-RING 36X0,5	1
5	46811263	WASHER	1
6	46811261	PIN 4X35	1
7	46811262	ADJ. KNOB D=41	1
8	46811205	ADAPTOR-BUSH M10x1,50, D=15	1
10	46811221	O-RING 35X3	1
11	46811050	SEAL KGW	2
12	46811268	CIRCLIP 22X1,2	1
13	46811259	NEEDLE SEAT 5X17,25	1
16*	46811099	ADAPTOR KGW 12X28	2
17	50180005	BUSHING KGW 1525 HD	1
18	46811499	O-RING NBR 21X2	1
19	46811500	O-RING NBR 32X1,5	1
22	46810366	% BUMP RUBBER WP65 RED	1
23	46811340	SCREW CAP M47,4 H=22,5	1
24	46811044	DUST SEAL 1424	1
25	46810325	O-RING 35X5	1
26	46811540S1	% ADAPTER CPL. D=46, H=23 BA	1
27	46811002	SPACER 35X14X2	1
28	46811042	O-RING 40,00X2,00 WP	1
30	46811202	SHOCK ABSORB. TOP H-40/119	1
31	46810016	O-RING NBR 48X2	1
32	46810428	TUBE L=215	1
33	46810391	THREADED BUSH L=90 BLACK	1
36	46811561	BUSHING RING D=55X19	1
37	46811512	O-RING NBR 32X8	1
38	46811511	SUPPORT RING D=55X7,5	1
41	46810109	COUNTERNUT	1
42	46811850	ADJUSTING NUT D=62	1
43	46810010	CIRCLIP 49X1,5	1
45	46810893	O-RING NBR 5,28X1,78	1
46	36120151	SCREW PLUG M5X6	1
47	91210018	SPRING 66-86/280 (62) D=13	1
48	46811851	SPRING RETAINER D=62 H=23	1
50	50180342S1	%SHOCK ABSORBER FLUID 5 LT '03	1

* NEW PART X ON DEMAND

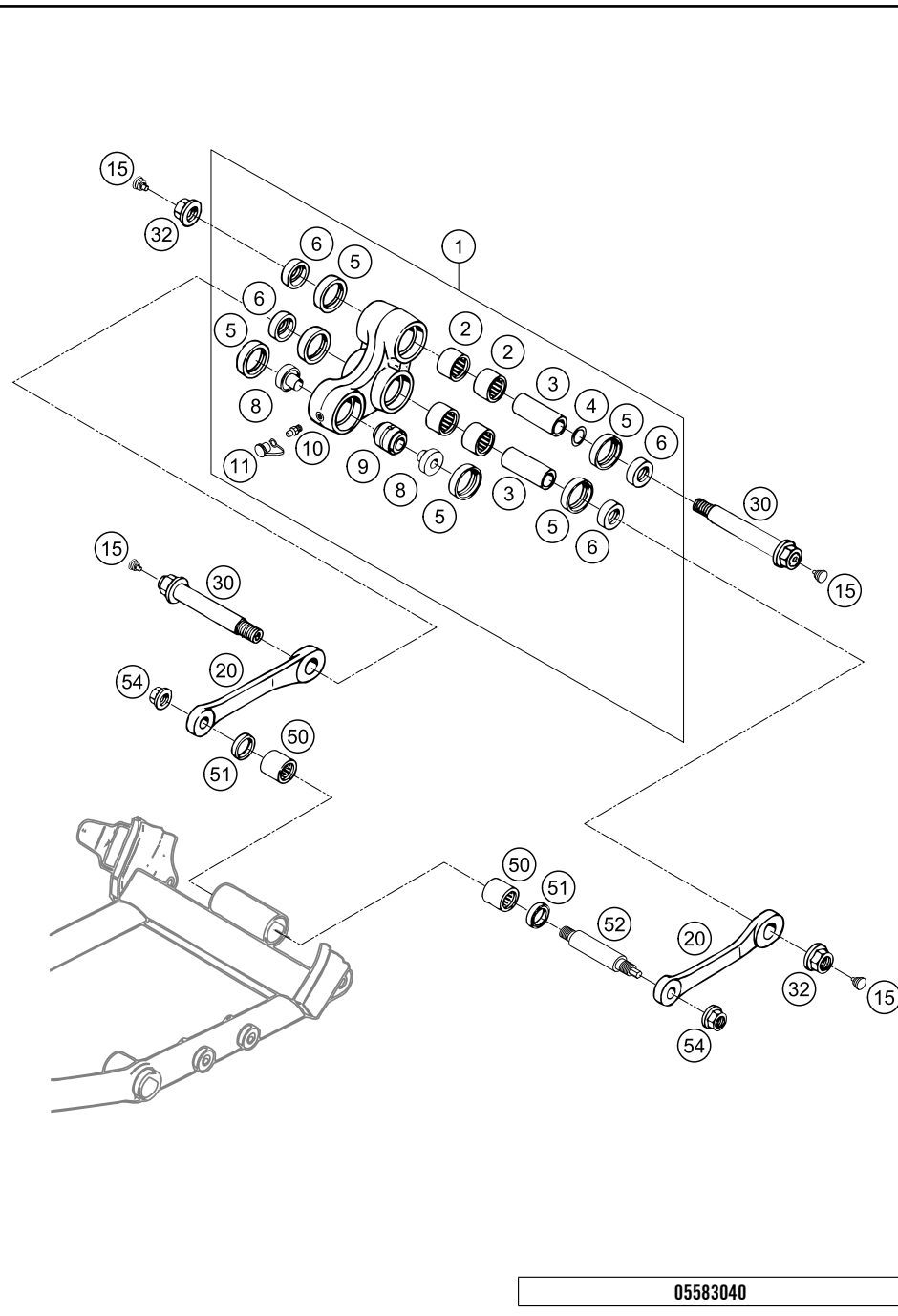


POS	PARTNUMBER	PARTNAME	PIECE
		0,33 L	
60	46811216	REBOUND BUSH PLANE H=6,5	1
62	46810497	SHIM 12X38X0,20	1
62	46810498	SHIM 12X40X0,20	2
62	46810505	SHIM 12X36X0,25	1
62	46810507	SHIM 12X40X0,25	2
62	46810512	SHIM 12X32X0,30	1
62	46810513	SHIM 12X34X0,30	1
62	46810615	SHIM 12X22X0,15	1
62	46811582	BACKPLATE 12X30X0,10	1
68	46810502	SHIM 12X30X0,25	1
68	46810508	SHIM 12X24X0,30	1
68	46810509	SHIM 12X26X0,30	1
68	46810510	SHIM 12X28X0,30	1
68	46810512	SHIM 12X32X0,30	2
68	46810604	SHIM 12X20X0,10	1
68	46810606	SHIM 12X22X0,10	1
75	46811857	PISTON 6+6D=7 BA 1,0	1
76	46810035	O-RING VITON 37,82X1,78	1
77	46811206	PISTON RING 8X46	1
79	46180056	BLEED SCREW M6	1
80	46811258	RING 12X24X2,5	1
81	40540403	SHIM 6X18X0,1	4
83	46180060	PISTON ROD NUT CPL. M12X1	1
84	46810340	O-RING NBR 45X2	2
85	46811453	RESERVOIR SCREW L=123 GREY	1
86	50180108	SEPARATION PISTON D=46, H=29	1
87	46811043	O-RING VITON 35X5	1
88	46810324	PISTON RING 3,9X1,5X138	1
89	46811920	RESERVOIR CAP D=46 M5	1
90	46810850S7	CC-COMPRE.DAMPING CONTROL CPL.	1
91	46810334	LOCK WASHER JV24	1
92	46810333	STEEL-BALL D=4,75	1
93	50180131S	ADJUSTING KNOB CC-MECH. CPL.	1
96	46811656	DISC H=2	1
97	50180114	SPACER RING FOR SPRING	1

05585042

C05585042

* NEW PART X ON DEMAND



POS	PARTNUMBER	PARTNAME	PIECE
1	58503080044	TRIANGLE LEVER CPL.RALLYE 01	1
2	54603097000	NEEDLE BUSH HK 2016	4
3	54603081000	BUSHING SLEEVE 15 X 20 X 48	2
4	54603090010	STEEL WASHER 15,2X19X0,1	x
4	54603090020	STEEL WASHER 15,2X19X0,2	x
4	54603090030	STEEL WASHER 15,2X19X0,3	x
5	0760253270	SHAFT SEAL RING 25X32X7	6
6	58303090000	SPAC.F.SHAFT SEALRING 15X25X11	4
8	58303085100	BUSHING FOR BEARING LINK '95	2
9	54203083050	HINGE BEARING BLASTED	1
10	72003035000	GREASE FITTING M6 STRAIGHT	1
11	53003099000	CAP WITH LOOP RED	1
15	54403135000	PLASTIC CAP SFL10	4
20	58303083000	LINKAGE ARM L=127MM '93	2
30	58503082044	BOLT CPL. 2001	2
32	54603015000	SELF LOCKING NUT M14X1,5 WS=19	2
50	56503195100	NEEDLE BEARING HK 1816	2
51	0760182442	SHAFT SEAL RING 18X24X4	2
52	58303084100	BUSHING BOLT CONNECTING BAR'96	1
54	49103415000	SELF LOCK. NUT M12X1,75 WS=19	2

05583040

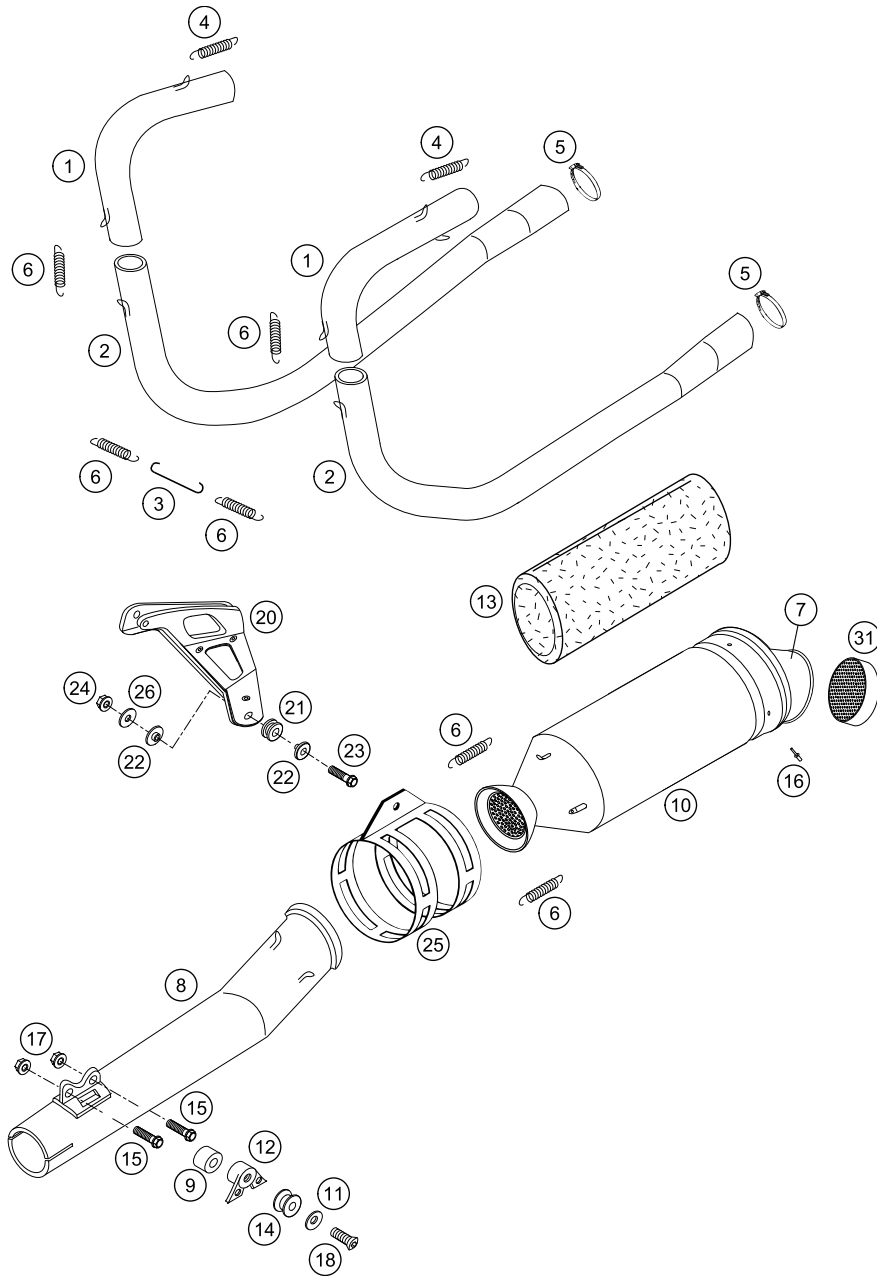
C03585044

* NEW PART

X ON DEMAND

EXHAUST SYSTEM

660 RALLY FACTORY REPLIC A 2005



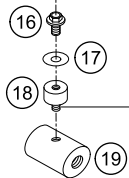
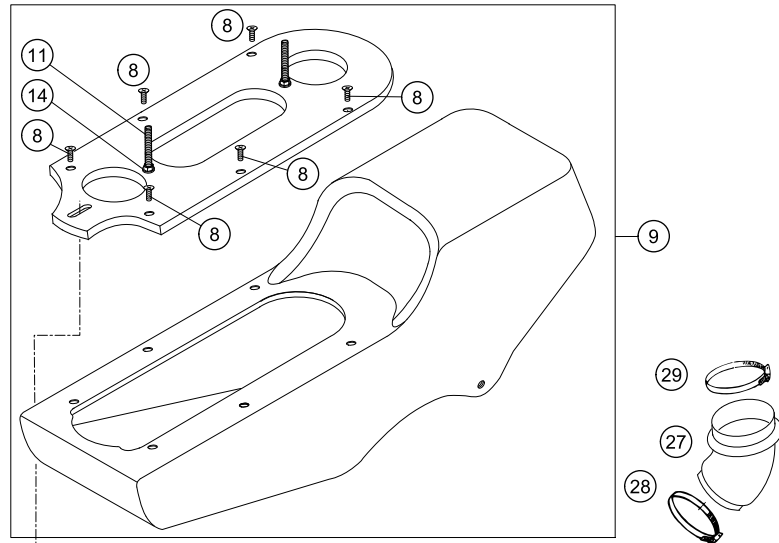
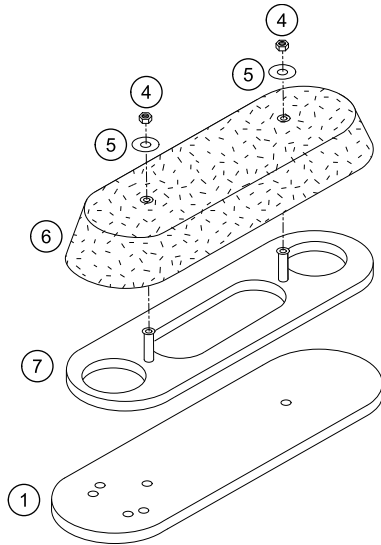
POS	PARTNUMBER	PARTNAME	PIECE
1	58505007200	EXHAUST MANIFOLD I RAL. 660 01 660 RALLYE	2
1*	58805007000	EXHAUST MANIFOLD I RAL. 450 05 450 RALLYE	2
2	58505008200	% EXHAUST MANIFOLD II RALLYE01	2
3*	58503031000	SPRING CLIP SIDE STAND 05	1
4	54309036000	RETURN SPRING L=38 MM	6
5	58505058000	EXHAUST CLAMP RALLYE 02	2
6	50305016000	TEN.SPRING L=62MM EY.MOVEABLE	14
7	58505171000	ENDCAP SILENCER OPEN 2000	2
8	58505010200	REAR EXH.PIPE RALLYE L/S 01	1
8	58505110200	REAR EXH.PIPE RALLYE R/S 01	1
9	58505040000	EXHAUST BUSH. 25X12,5X14 2001	2
10	58505071300	SILENCER THROTTLED L/S 2001	2
10	58505171300	% SILENCER THROTTLED R/S 2001	1
11	58303061000	SPECIAL WASHER ALU 8 X 24 MM	2
12	5850506700090	EXHAUST SUPP. CENTER RALLY 02	2
13	59005078550	%STUFF.YARN 550GRAM L=550MM SX	2
14	54305068100	DAMP. COMPONENT SILICONE GREY	2
15	0015060163	HH COLLAR SCREW M 6X16 WS=8	4
16	0011480802	% DUMMY RIVET 4,8X 8,0 NIRO	6
17	56509064100	SELF LOCKING NUT M6 10.9	4
18	0991080163	FLAT HEAD SCREW M8X16 10.9	2
20	58555066000	EXHAUST BRACKET L/S CPL. 01	1
20	58555065000	EXHAUST BRACKET R/S CPL. 01	1
21	54605068000	% EXHAUST BRACKET RUBBER BLACK	2
22	54605069000	% BUSHING 7,5X12X28X7,8 '96	4
23	0015060353	% HH COLLAR SCREW M 6X35 WS=8	2
24	0934060003	HEXAGON NUT DIN0934-M 6	2
25	58505161200	CLAMP FOR SILENCER 03	2
26	50232050000	WASHER 6,2X18X2	2
31	58505071350	HOLE RESTRICTOR RALLYE 2002	2

03585050

C05585050

* NEW PART

X ON DEMAND



ACHTUNG !!!
 UM CA. 3 MM KÜRZEN
CAUTION !!!
 CURTAIL APPROX. 3 MM

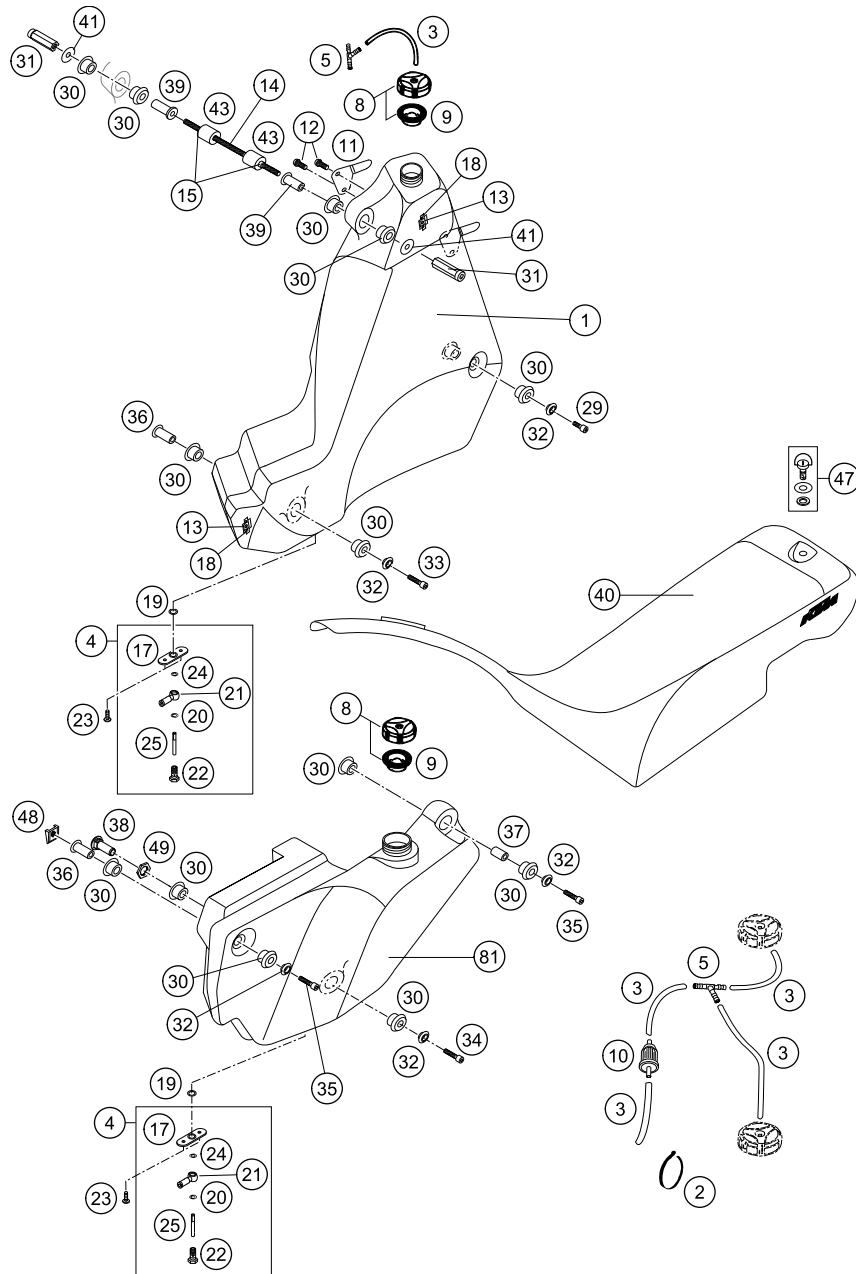
POS	PARTNUMBER	PARTNAME	PIECE
1	58506001052	AIR FILTER RESTRICTOR 01	1
4	0985050003	SELF LOCKING NUT DIN0985-M 5	2
5	0021050003	WASHER DIN9021-A 5,3	2
6	58506015000	AIR FILTER TWIN AIR 01	1
7	58506001050	AIR FILTER BOX S. TWIN AIR 01	1
8	0017050181	SCREW FOR PLASTIC D=5X18	6
9	58506001144	AIRBOX W. AIR FILTER BOX S.	1
11	0933050603	* HH SCREW DIN0933-M 5X60	2
14	0980050003	HEXAGON STOP NUT DIN0980-M 5	2
16	0014060103	% HH COLLAR SCREW M 6X10 WS=8	1
17	58432006000	WASHER 6,2 X 20 X 2 '99	1
18	43205062100	RUBBER GROMMET 20X15-M6X10 (1)	1
19	58512066000	TANKDISTANCE 42MM RALLYE 2001	1
27	80006026100	CARB. CONNECT. BOOT 450/501 04 660 RALLYE	1
27*	58806026000	CARB.CONNECT. BOOT RAL. 450 05 450 RALLYE	1
28*	51006027000	HOSE CLAMP 50-70MM	1
29	58506027000	HOSE CLAMP 70-90MM	1

03585060

C05585060

* NEW PART

X ON DEMAND



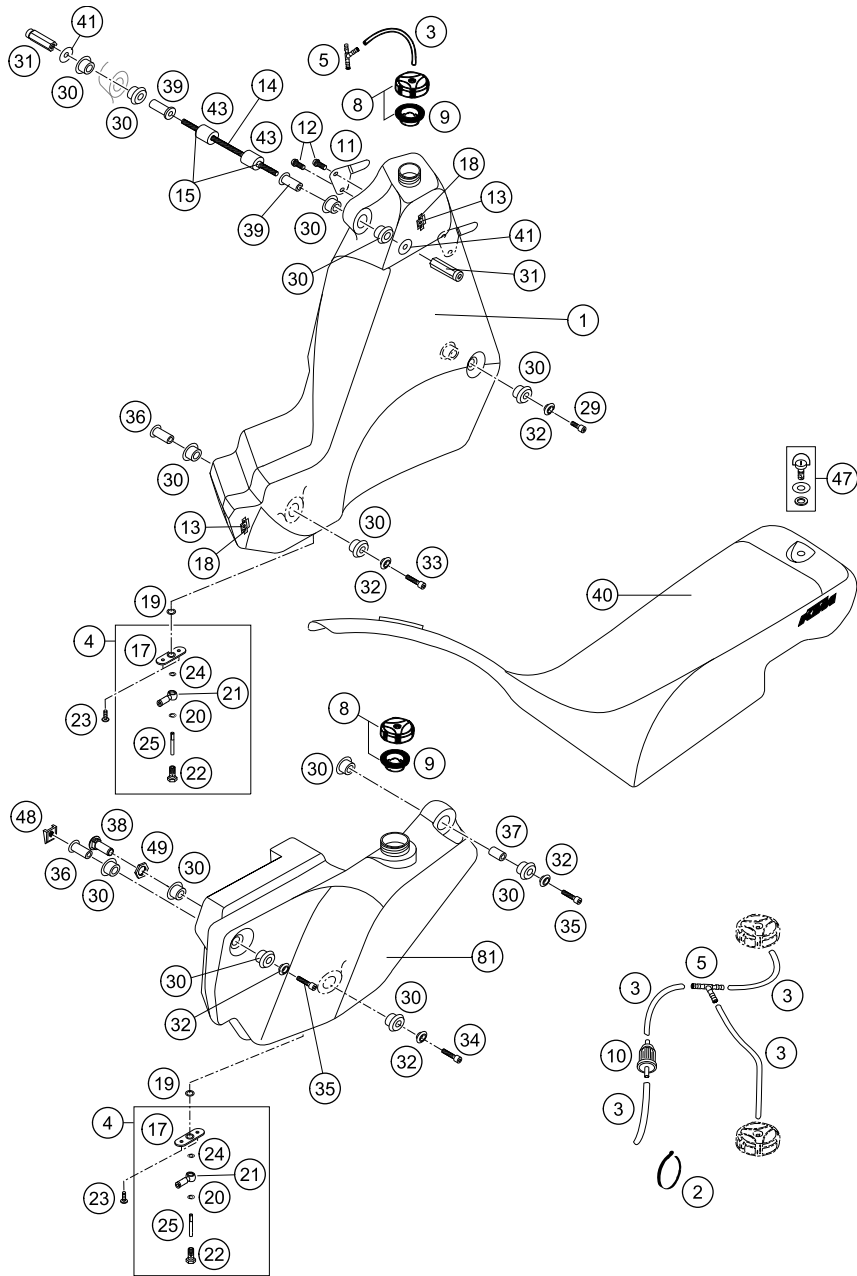
04585070

POS	PARTNUMBER	PARTNAME	PIECE
1	5850701310004	FUEL TANK FR. L/S RALLYE 2004	1
1	5850711310004	FUEL TANK FR. R/S RALLYE 2004	1
2	44011076100	% CABLE TIE 100/2,5MM BLACK	2
3	58507007001	HOSE 8X5MM RALLYE 03	1
4	58507008000	FUEL CONNECTION CPL. 01	4
5	59031083000	T-JOINT BREATHER HOSE	2
8	49007008044	FILLER CAP CPL. SMALL	4
9	59007009000	GASKET FOR FILLER CAP HIGH	4
10	58312099052	FUEL FILTER ELEMENT	1
11	58554013051	SEAT HOLDING SHEET L/S 01	1
11	58554013050	SEAT HOLDING SHEET R/S 01	1
12	0902060083	AH OVAL SCREW ISO 7380 M 6X8	4
13	45007040050	QUICK RELEASE LATCHPLATE	4
14	58512067000	THREADPOLE M8 L=226 MM	1
15	55007016001	PVC-HOSE 7X10 PER METER	0
17	58507008050	FUEL FLANGE SHEET 01	4
18	0981350133	SHEET MET.SCR.DIN7981-3,5X13	8
19	0770120020	O-RING 12,00X2,00 NBR 70	4
20	42013226000	CU-SEAL RING DIN7603-10X16X1	4
21	49138493000	RING COMPONENT 10/6MM	4
22	58507025000	HOLLOW SCREW M10X1X24 RALLY 02	4
23	0982480163	SHEET MET.SCR.DIN7982 4,8X16	8
24	0603101420	COPPER GASKET 10,2X14X2 MM 01	4
25	58507008010	FUEL FLANGE-STRAINER 03	4
29	0912080203	AH SCREW DIN912 M8x20	4
30	56401040000	RUBBER BUSHING	24
31	58507005000	TANK NUT M8 01 WITH AH-SCREW	2
32	58512062000	BUSHING SLEEVE OUT 2001	10
33	0912080503	AH SCREW DIN912 M8X50	2
34	0912080303	AH SCREW DIN912-M 8X30	2
35	0912080403	AH SCREW DIN912 M8X40	4
36	58512063000	BUSHING SLEEVE IN.34MM 2001	4
37	58512069000	BUSHING SLEEVE IN. 25MM 2001	2
38	58512068100	FIXING SCREW TANK REAR	2
39	58512064000	BUSHING SLEEVE IN. 40MM 2001	2
40	58507040600	SEAT RALLYE 2004	1
41	0021080003	WASHER DIN9021-A 8,4	2

C05585070

* NEW PART

X ON DEMAND



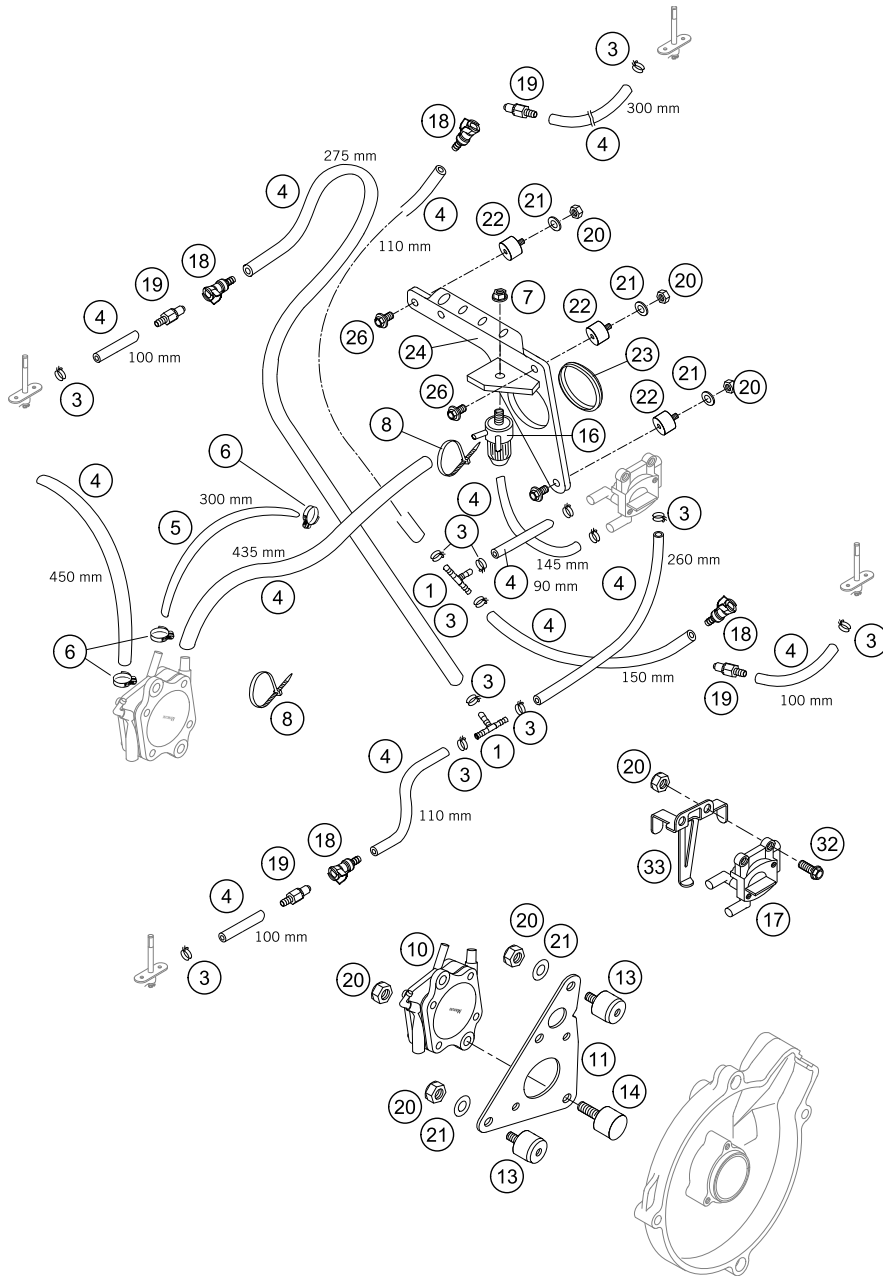
POS	PARTNUMBER	PARTNAME	PIECE
43	58512065000	TANKDISTANCE 36 MM RALLYE 2001	2
47	58307040551	QUICK RELEASE CPL. '96	1
48	54603048000	RANGE CHANGE METAL NUT M8	2
49*	60512063050	NUT F.TANK BRACKET REAR	2
81	5851209530004	SIDE TANK L/S ORANGE 2004	1
81	5851209630004	SIDE TANK R/S ORANGE 2004	1

04585070

C05585070

* NEW PART

X ON DEMAND



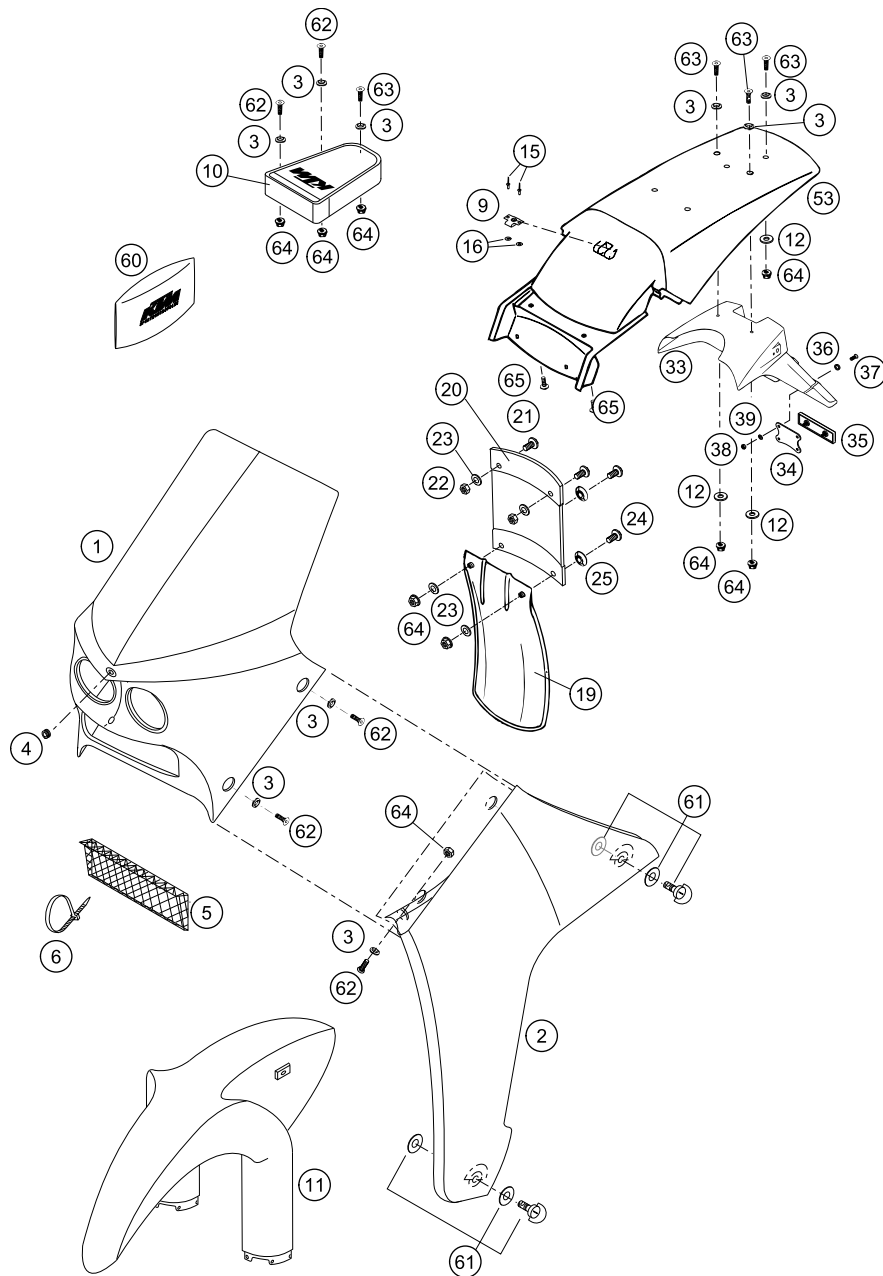
05585079

POS	PARTNUMBER	PARTNAME	PIECE
1	58007015000	T-CONNECTOR FOR FUEL LINE	2
3	58031005000	CLAMP YDNAC 10128 12MM	10
4	58507116100	HOSE OG.ECO 1TBSE 7X13MM	x
5	58507016100	FUEL HOSE DIN 73379 5,3X11,3	x
6	42013037000	CLAMP MINI 1	3
7	0934080003	HEXAGON NUT DIN0934-M 8	1
8	44011076100	% CABLE TIE 100/2,5MM BLACK	x
10	58512087000	FUEL PUMP MIKUNI DF52-601 01	1
11	58512088000	HOLDING SHEET F. FUEL PUMP 01	1
13	43205062100	RUBBER GROMMET 20X15-M6X10 (1)	2
14	58538010000	RUBBER GROMMET 20X11/M6X18 01	1
16	58507009000	FUEL FILTER 01	1
17	58507003100	COLLECTOR FUEL TAP RALLYE 2001	1
18	58507010500	CLUTCH F. FUEL HOSE CPC 03	4
19	58507010300	PLUG F. FUEL HOSE CPC 2003	4
20	0985060003	SELF LOCK. NUT DIN0985-M 6	8
21	0021060003	WASHER DIN9021-A 6,4	5
22	43205062100	RUBBER GROMMET 20X15-M6X10 (1)	3
23	54635022000	SLEEVE FOR STEERING HEAD	1
24	58507019000	SUPPORT FOR FUEL FILTER 01	1
26	0014060103	% HH COLLAR SCREW M 6X10 WS=8	3
32	0015060163	HH COLLAR SCREW M 6X16 WS=8	2
33	58507003050	LOCKING PLATE F. COLL.FUEL TAP	1

C05585079

* NEW PART

X ON DEMAND



POS	PARTNUMBER	PARTNAME	PIECE
1	5851100410004	COVER MIDDLE CPL. 04	1
2	5851100310004	COVER L/S CPL. 04	1
2	5851100210004	COVER R/S CPL. 04	1
3	58308045000	SPECIAL WASHER 7X12,5X20 BLACK	12
4	41001052000	RUBBER SLEEVE D=12MM	1
5	58512060000	OIL RADIATOR GRID RALLYE 01	1
6	44011076100	% CABLE TIE 100/2,5MM BLACK	x
6	44011076200	CABLE TIE 200/3,6MM BLACK	x
9	58307042051	THRUST BEARING QUICK RELEASE	1
10	58312078000	TOOL BAG BLACK SC '99	1
11	5850801010030	FENDER FRONT RALLYE BLACK 04	1
12	51006097000	WASHER 6,2X22X1,ST30,W.GALV.	3
15	0011320800	DUMMY RIVET 3,0X 8 STEEL	2
16	0134030003	WASHER DIN0134- 3,2	2
19	54606010000	SPLASH PROTECT.FOR FILTER BOX	1
20	58506010000	SPLASH PROTECTION TOP 01	1
21	0014060133	% HH COLLAR SCREW M 6X13 WS=8	2
22	0934060003	HEXAGON NUT DIN0934-M 6	2
23	0021060003	WASHER DIN021-A 6,4	4
24	0014060153	% HH COLLAR SCREW M 6X15 WS=8	2
25	72210079000	BUCKET	2
33	58308013051	NUMBER PLATE CARRIER EGS '93	1
34	58412080050	BRACKET FOR REFLECTOR	1
35	58412080000	REFLECTOR RED	1
36	40006006000	WASHER 6MM	2
37	0966050163	OVAL HEAD SCREW DIN0966-M 5X16	2
38	0985050003	SELF LOCKING NUT DIN0985-M 5	2
39	0125050003	WASHER DIN0125-A 5,3	2
53	5850801300004	FENDER REAR RALLYE 02	1
60	58329099000	* ORIGINAL EQUIPMENT TOOL KIT	1
61	45007040051	QUICK RELEASE CPL. 50 SXR '97	4
62	0991060166	% FL.HEAD SCR.DIN7991-M6X16	8
63	0991060202	FLAT HEAD DIN7991-M 6X20	4
64	56509064100	SELF LOCKING NUT M6 10.9	14
65	0014060103	% HH COLLAR SCREW M 6X10 WS=8	2

04585080

C05585080

* NEW PART

X ON DEMAND

DECAL

660 RALLY FACTORY REPLICA 2005

POS	PARTNUMBER	PARTNAME	PIECE
1*	58508099300	DECAL SET 660 RALLYE 05	1
3	52000025	% STICKER FRONT FORK-SET WP 48	1



05585081

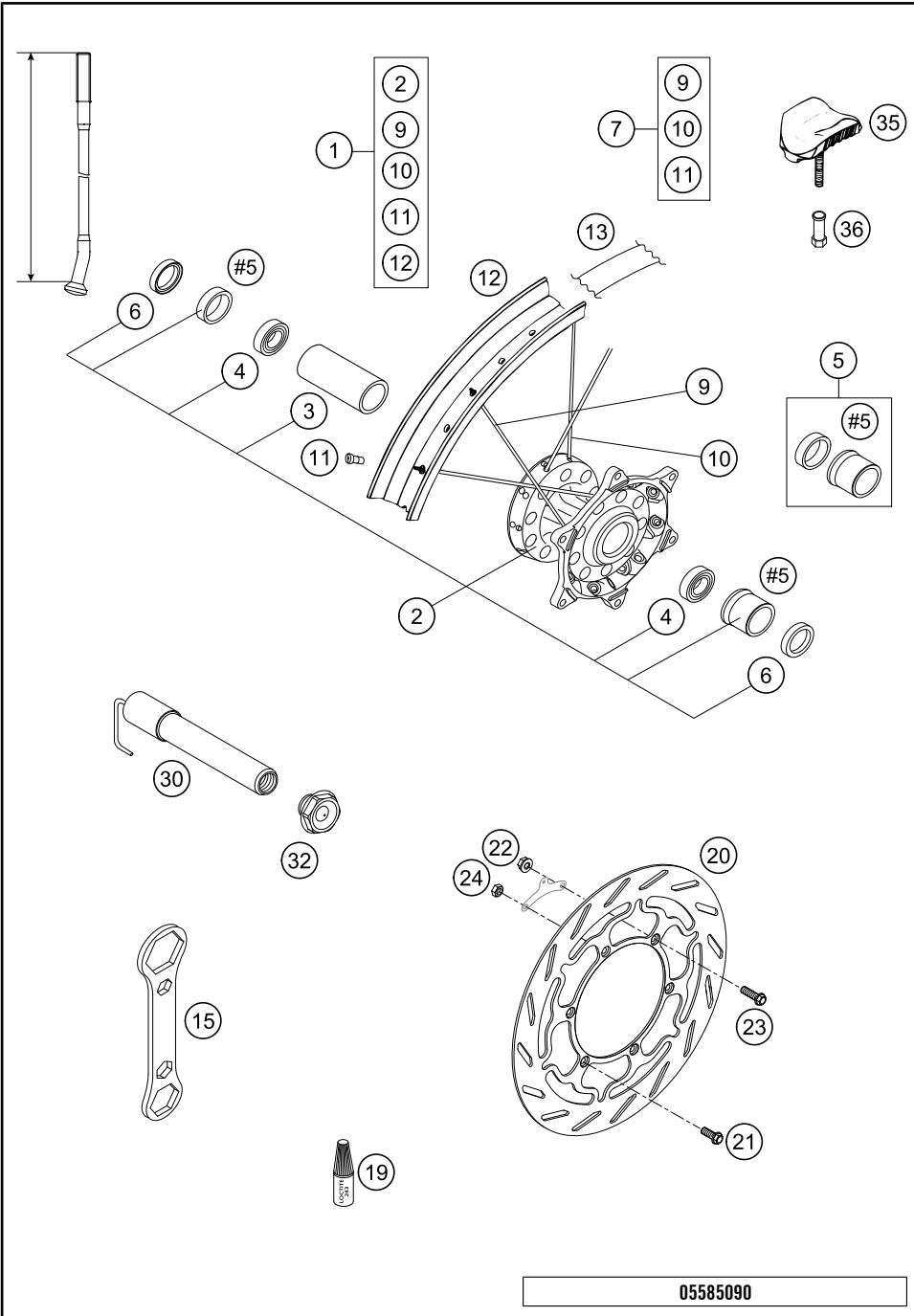
C05585081

* NEW PART

X ON DEMAND

FRONT WHEEL

660 RALLY FACTORY REPLIC A 2005



POS	PARTNUMBER	PARTNAME	PIECE
1	58509010000	FRONT WHEEL CPL. RALLY 2001	1
2	58509009000	FRONT HUB MILLED RALLY 01	1
3	58509011000	BEAR.SPACER BUSHING	1
4	0625069068	GR.BALL BEAR.6906 DDU2CG23S6NM	2
5	58509013044	SPACER BUSHINGS SET FR.WHEEL02 2 PIECES (LEFT+RIGHT)	1
6	0760354771	SHAFT SEAL RING 35X47X7 TC	2
7	58509069000	SPOKES CPL. RALLY 2001 18 LE. + 18 RI. + 36 NIPPLES	1
9	58509071000	SPOKE L/S FR. WHEEL RALLYE 01	18
10	58509171000	SPOKE R/S FR. WHEEL RALLYE 01	18
11	58509072000	SPOKE NIPPLE FOR RALLY 2001	36
12	58509070100	FRONT RIM 1,60X21" 36H RALLY01	1
13*	50309073000	RIM BAND 21"	1
15	58509083000	KEY F. FRONT AXLE SCREW	1
19	6899785	LOCTITE 243 BLUE 6CCM	1
20	58309060100	BRAKE DISK FRONT D=300MM '96	1
21	0015060163	HH COLLAR SCREW M 6X16 WS=8	4
22	56509064100	SELF LOCKING NUT M6 10.9	1
23	0015060203	HH COLLAR SCREW M 6X20 WS=8	2
24	0439060003	HEXAGON NUT DIN0439-M 6 LOW	1
30	58509081100	FRONT AXLE D=30MM 04	1
32	58509082000	COLLAR SCREW FRONT AXLE 03	1
35	51009100100	% RIM LOCK VM1 (1,60")	1
36	50310090050	% NUT FOR WHEEL HOLDER '96	1

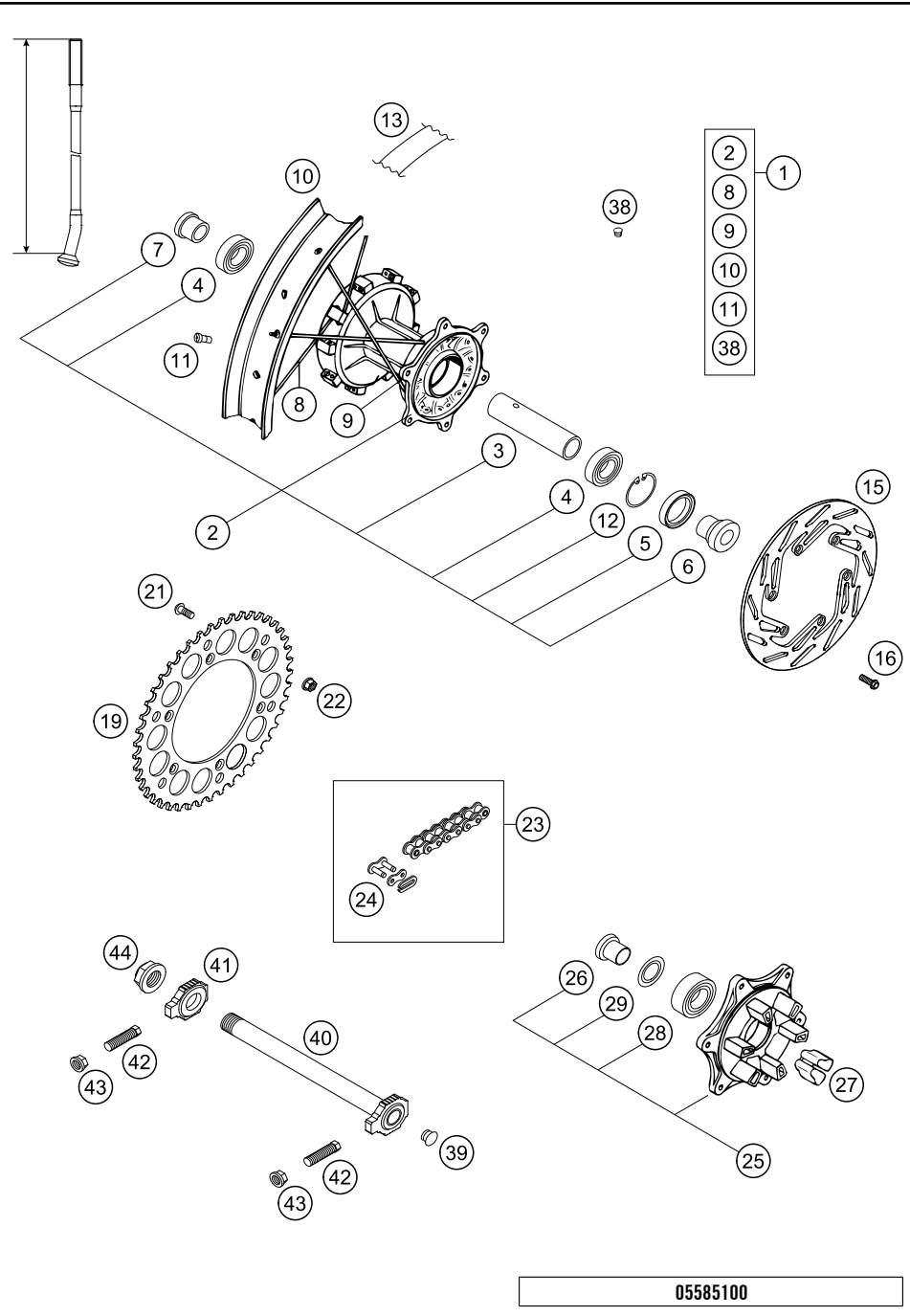
05585090

C05585090

* NEW PART X ON DEMAND

REAR WHEEL

660 RALLY FACTORY REPLICA 2005

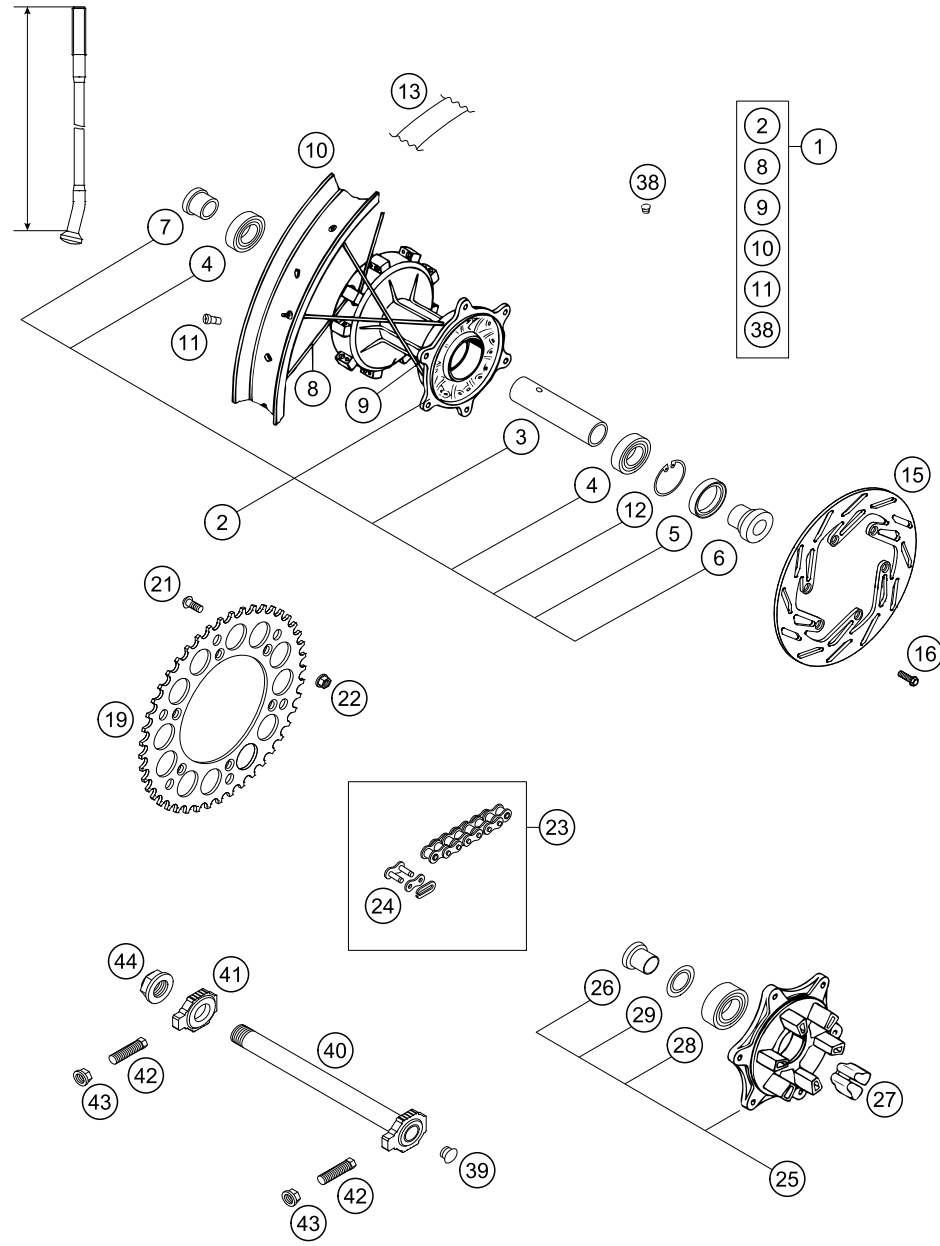


POS	PARTNUMBER	PARTNAME	PIECE
1	58310001044	% REAR WHEEL 2,50X18" DID	1
2	58410010044	%REAR WHEEL HUB DAMPED CPL.'01	1
3	58410011000	BUSHING SPACER TUBE L=98,3MM	1
4	0625062052	GR.BALL BEAR. 6205-2RSHC3HMTF7	2
5	0760325272	SHAFT SEAL RING 32X52X7 B	1
6	54610016000	% BUSHING FOR HUB	1
7	54610416300	BUSHING FOR REAR DAMPED HUB	1
8	54610471000	SPOKE M5X223-10G 18"	18
9	50310071197	SPOKE M5X197-10G 18" DDE	18
10	58010470100	REAR RIM 2,50X18" DID	1
11	58309072000	% SPOKE NIPPLE M5-TA (8X21MM)	36
12	0472052200	CIRCLIP DIN0472-52X2	1
13*	50310073200	RIM BAND 18" AND 19"	1
15	58010060600	REAR BRAKE DISK 220MM COUNTERS	1
16	59009062013	SPECIAL SCREW M6X13 WS=8 10.9	6
19*	58510151043	REAR SPROCKET 43-T HARD. STEEL 660 RALLYE	x
19*	58510151044	REAR SPROCKET 44-T HARD. STEEL 660 RALLYE	1
19*	58510151045	REAR SPROCKET 45-T HARD. STEEL 660 RALLYE	x
19*	58410051048	% SPROCKET 48T 02 450 RALLYE	1
21	54510052100	% SPROCKET SCREW-AH M8X26 WS=6	6
22	54310086200	SELF LOCKING NUT M8 10.9	6
23	50310265118	% X-RING CHAIN 5/8X1/4" +M.LIN 450 118ROLLS / 660 116ROLLS	1
24	50310266000	CONNECTING LINK REGINA	x
25	58310050044	% SPROCKET SUPPORT CPL.	1
26	54610417300	BUSH. F.SPROCKETSUPPORT L=25MM	1
27	54610459000	RUBBER DAMPING BLOCK '91	6
28	0625032057	GR. BALL BEARING 3205B-2RSRTNG	1
29	54610018000	SEAL WASHER 3205 AV	1
38	55003135000	PLUG FOR RIM	x
39	50210086000	COVERING CAP SFL16	2
40	50310085044	% WH. SPINDLE RE. CPL.265MM 00	1

* NEW PART X ON DEMAND

REAR WHEEL

660 RALLY FACTORY REPLICA 2005

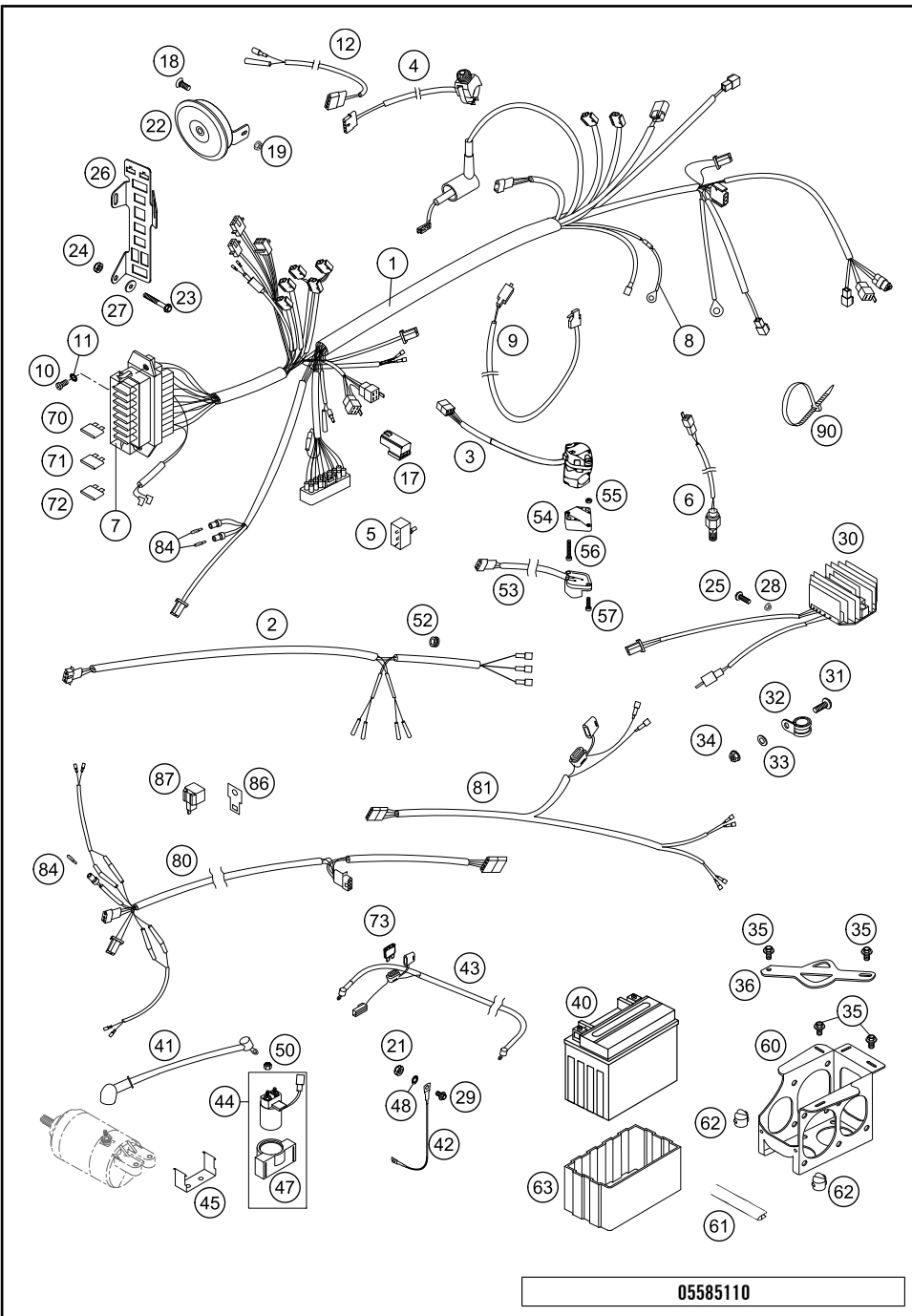


POS	PARTNUMBER	PARTNAME	PIECE
41	50310084000	CHAIN TENSIONER R/S 2000	1
42	50304040000	%SPEC. SCREW M10X1,25X40 WS=10	2
43	58414030000	HH COLLAR NUT M10X1,25 WS=13	2
44	50310099000	HEXAGON NUT M20X1,5 '98	1

05585100

C05585100

* NEW PART X ON DEMAND



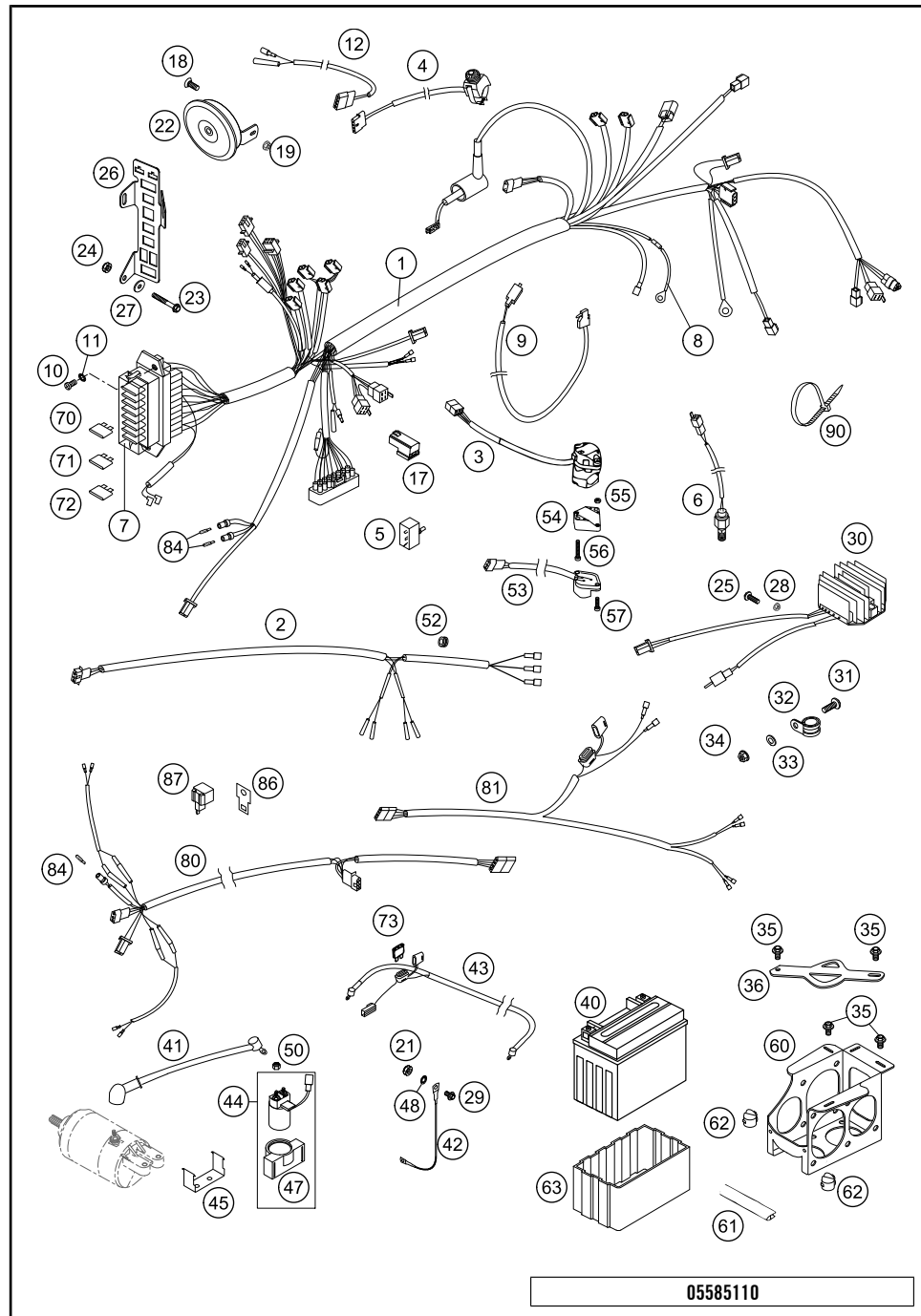
POS	PARTNUMBER	PARTNAME	PIECE
1	58511075500	MAIN WIRING HARNESS RALLYE 03	1
2	58511076100	WIRING HARNESS REAR RALLYE 03	1
3	50311070000	H.LIGHT SWITCH CEV 2/4TAKT '98	1
4	50311089200	SHORT CIRCUIT BUTTON 02 STARTER BUTTON	1
5	58511069100	SWITCH ON/OFF RALLYE 03 IGNITION ON/OFF	1
6*	58511051100	BRAKE LIGHT SWITCH LONG	1
7*	58511075510	FUSE-BOX COVER	x
8*	58511080000	CABLE F. TEMP. SWITCH	1
9	50311050100	BRAKE LIGHT SWITCH FRONT 2002	1
10	0985050103	OVAL HEAD SCR. DIN7985-M 5X10	2
11	0797050003	TOOTH LOCK WASH. DIN6797-J 5,3	2
12*	58511074050	STARTER BUTTON ADAPTER CABLE	1
17	58411057000	STARTER RELAY '96	2
18	0991060163	FLAT HEAD SCR. DIN7991-M 6X16	1
19	56509064100	SELF LOCKING NUT M6 10.9	1
21	0985050003	SELF LOCKING NUT DIN0985-M 5	1
22	50311060000	DC HORN 12V K80/L LEB	1
23	0931050453	HH SCREW DIN931 M5X45	1
24	0934050003	HEXAGON NUT DIN0934-M 5	1
25	0015060203	HH COLLAR SCREW M 6X20 WS=8	2
26	58511083100	BRACKET SOCKETS RALLY 2001	1
27	0021050003	WASHER DIN9021-A 5,3	1
28	56509064100	SELF LOCKING NUT M6 10.9	2
29	0015050163	HH COLLAR SCREW M 5X16 WS=8	1
30	58411034100	VOLT.REGULATOR-RECTIFIER 12V	1
31*	0015050253	HH COLLAR SCREW M 5X25 WS=8	1
32*	49007439000	CLAMP RSGU 15/12	1
33*	0125050003	WASHER DIN0125-A 5,3	1
34*	0985050003	SELF LOCKING NUT DIN0985-M 5	1
35	0014060103	% HH COLLAR SCREW M 6X10 WS=8	6
36	58511054250	BRACKET F. BATTERY BOX 01	1
40	58411053000	% BATTERY 12V 8AH '96	1
41	58411059200	STARTERCABLE 250MM	1
42	58411097300	GROUND CABLE 275MM	1
43	58511059000	BATTERY CABLE 600MM RALLYE 01	1
44	58411058000	STARTER RELAY WITH HOLD.RUBBER	1
45	58511058050	BRACKET FOR STARTRELAIS '99	1

05585110

C05585110

* NEW PART

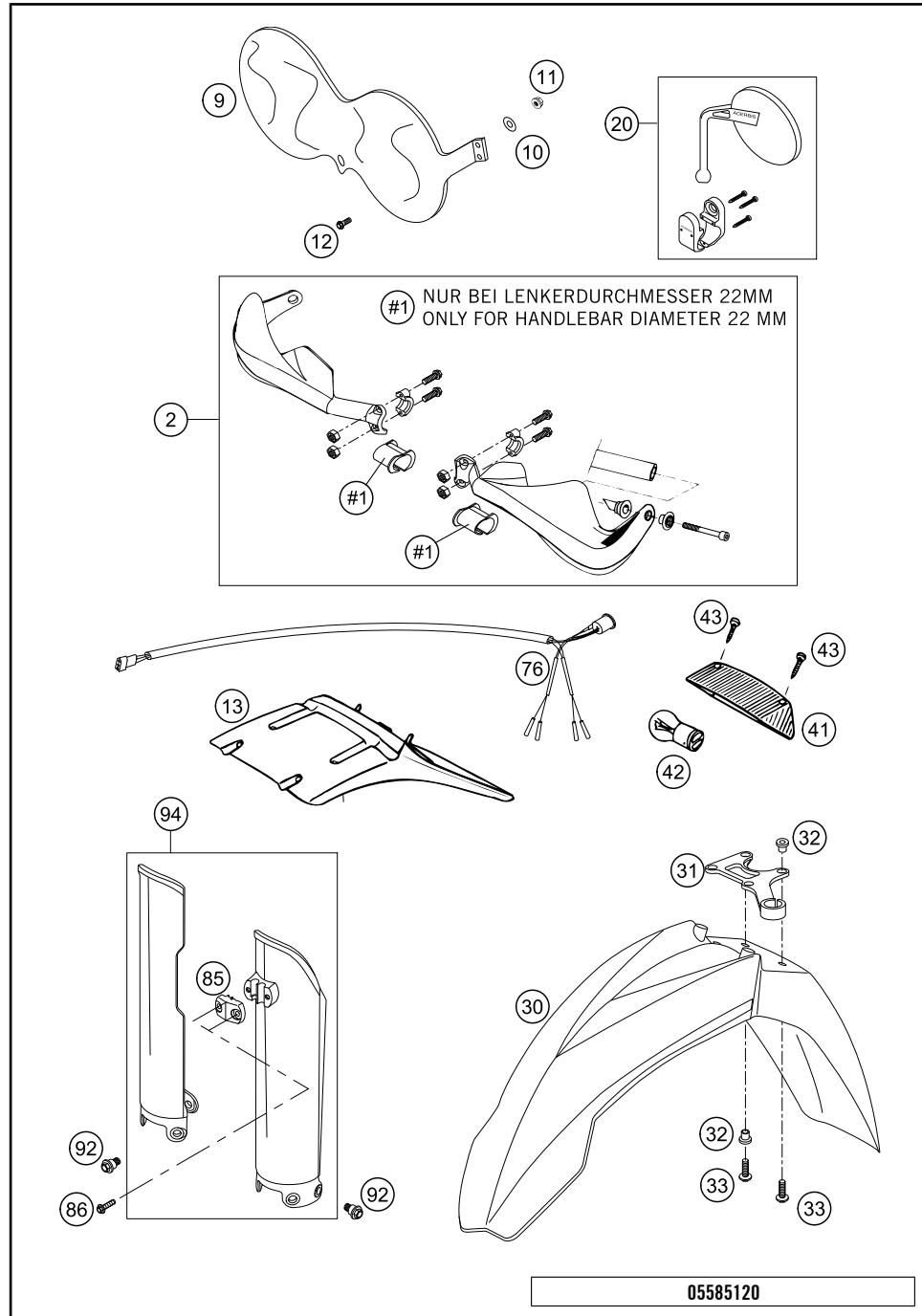
X ON DEMAND



POS	PARTNUMBER	PARTNAME	PIECE
47	58411058050	HOLD. RUBBER FOR STARTRELAY	1
48	58411098100	CONTACT WASHER M6 VSV-K6	1
50	0985060003	SELF LOCK. NUT DIN0985-M 6	2
52	31008060000	RUBBER SLEEVE D=8MM OPEN	x
53	50311029000	FLASHER SWITCH CEV '98	1
54	13011070060	ADAPTER FOR FLASHER SWITCH '98	1
55	0934040003	HEXAGON NUT DIN0934-M 4	2
56	0084040223	CYL.HEAD SCREW DIN0084-M 4X22A	2
57	0985040163	FLAT HEAD SCREW DIN7985-M 4X16	2
60	58511054200	BATTERY BOX RALLYE 01	1
61	58214070150	BORDER PROTEC. ADVENTURE 2002	x
62	58111076000	CABLE SUPPORT KHS NR.150-47610	2
63	58411053050	BATTERY COVER 96	1
70	58011109005	% FUSE 5 A	2
71	58011109110	FUSE 10 A 2000	5
72	58011109015	% FUSE 15 A	1
73	58011109120	FUSE 20 A	1
80	50311080100	FLAS.WIRINGHARN. FRONT 125-380	1
81	50311081000	FLAS.WIRINGHARN. REAR 125-380	1
84	49111425000	% BULB 12V 1,2W (W2X4,6D)	3
86	58211031100	BRACKET FOR FLASHER RELAY	1
87	44611207200	FLASHER UNIT 97	1
90	44011076100	% CABLE TIE 100/2,5MM BLACK	x
90	44011076200	CABLE TIE 200/3,6MM BLACK	x
90	44011076305	CABLE TIE 300/4,8MM BLACK	x

C05585110

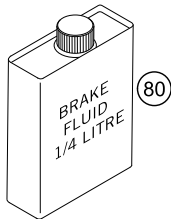
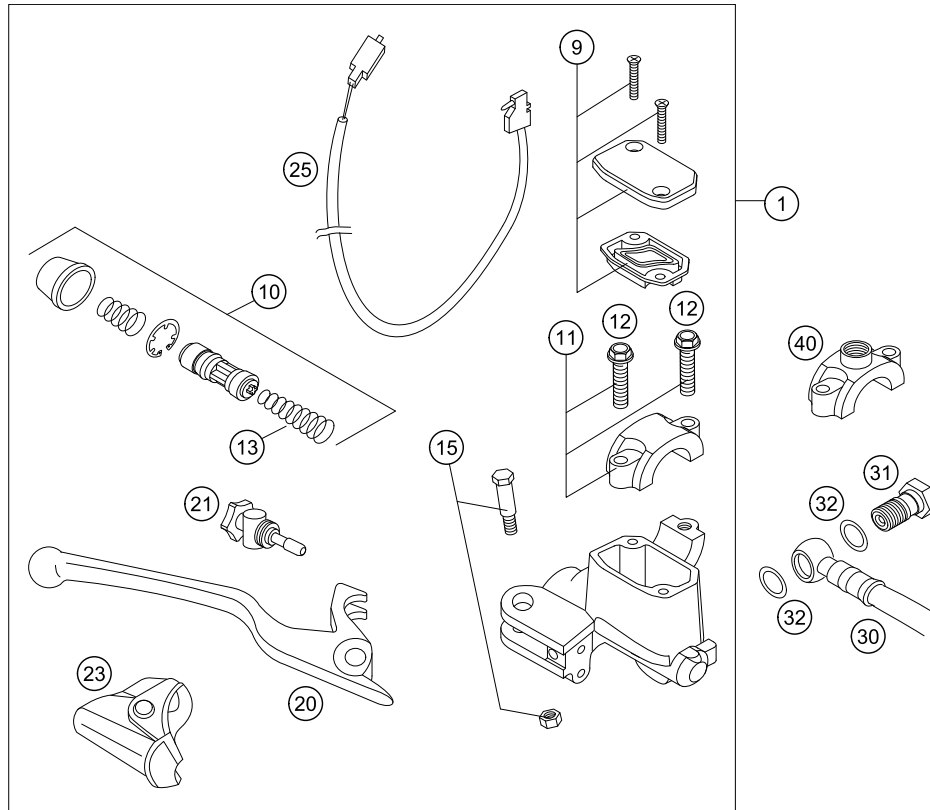
* NEW PART X ON DEMAND



POS	PARTNUMBER	PARTNAME	PIECE
2	6000207910030	% HANDGUARD L/S+R/S CPL.BLCK	1
2	6000207910004	% HANDGUARD L/S+R/S CPL.ORANGE	x
9	58511009000	HEAD LIGHT PROTECTOR RALLYE 01	1
10	0021050003	WASHER DIN9021-A 5,3	6
11	0985050003	SELF LOCKING NUT DIN0985-M 5	6
12	0933050163	HH SCREW DIN0933-M 5X16	6
13	58308113051	NUMBER PLATE CARRIER EXC '93	1
20	5021204000030	MIRROR L/S BLACK ACERBIS '97	1
20	5021214000030	MIRROR R/S BLACK ACERBIS '97	1
30	5030801030030	FENDER FRONT BROAD BLACK 03	1
31	59008019000	BRAKE HOSE GUIDE 2000	1
32	58408009050	SPACER BUSHING FRONT FENDER	4
33	0014060203	HH COLLAR SCREW M 6X20 WS=8	4
41	58311241000	REAR LIGHT LENS ACERBIS '93	1
42	58414042000	BULB 12V 21/5W (BAY15S)REINFO.	1
43	0981290193	SHEET MET.SCR.DIN7981 2,9x19	2
76	58511076000	WIRING HARNESS REAR RALLYE '97	1
85	58201085000	CLAMP F.SPEED CABLE D=8MM 2001	1
86	0017060203	% EJOT PT SCREW K60X20 WS=6	2
92	59001092050	SPECIAL SCREW M6X12,5 WS=8	6
94	5900109400030	%FORK PROTECT L/S+R/S BLACK 02	1

C05585120

* NEW PART X ON DEMAND



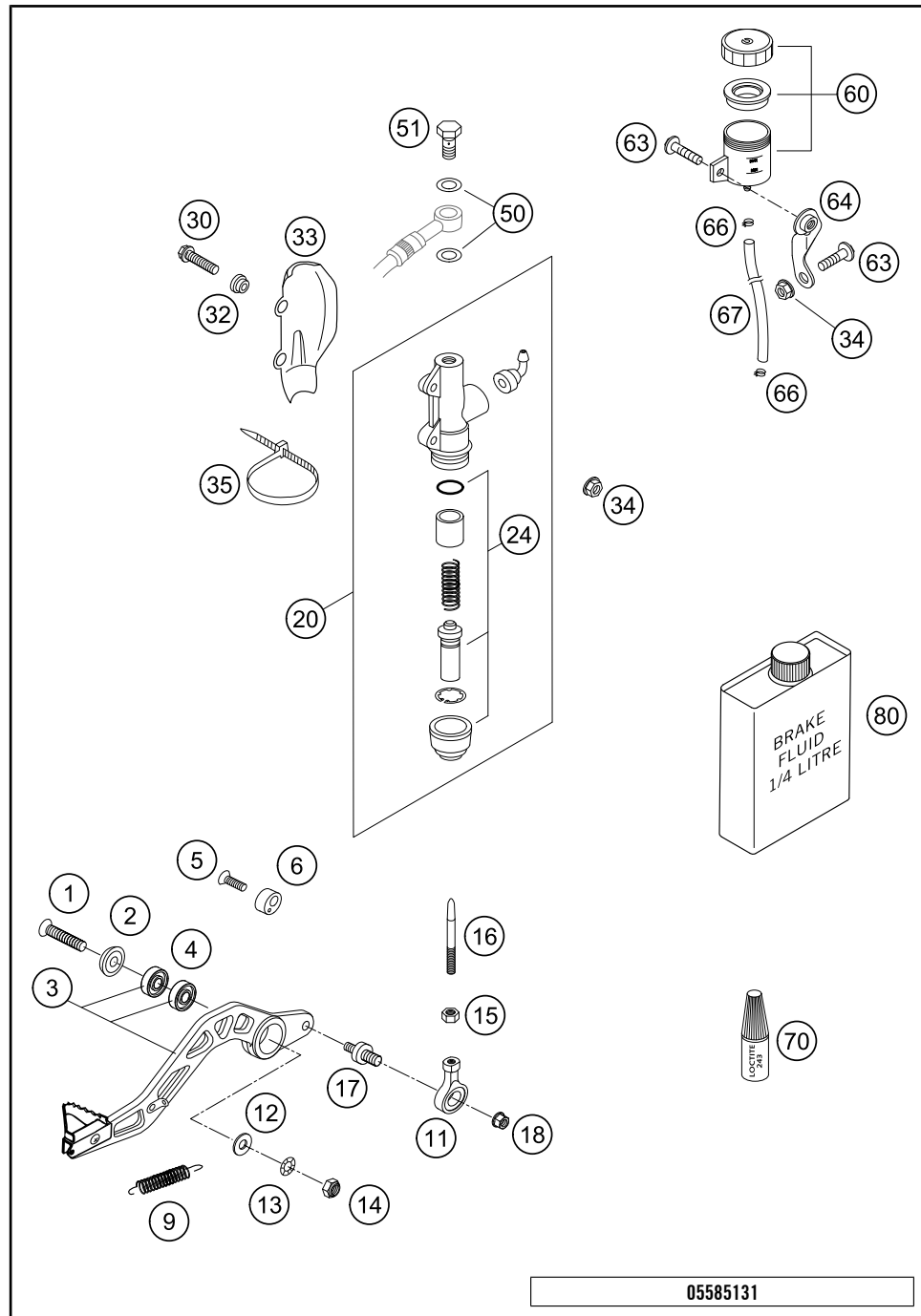
POS	PARTNUMBER	PARTNAME	PIECE
1	50313001200	HANDBRAKE CYL. NAT. SMALL 2004	1
9	50313003000	HANDBRAKE CYL. COVER CPL. NATURE	1
10	50313008300	REP. SET PISTON D=11 EXC 2001	1
11	50313005000	CLAMP CPL. NATURE	1
12	0015060253	% HH COLLAR SCREW M 6X25 WS=8	2
13	50213050050	SPRING PISTON BRAKE FRONT 11MM	1
15	50313006100	LEVER SCREW CPL. 2001	1
20	50313002100	HANDBRAKE LEVER SHORT 2001	1
21	50313007000	ADJUSTING SCREW CPL. SX 2000	1
23	50313004000	PROTECTION CAP HAND BRAKE CYL.	1
25	50311050100	BRAKE LIGHT SWITCH FRONT 2002	1
30	58513011000	BRAKE HO. FRONT 1300MM 04	1
31	50213025000	HOLLOW SCREW M10X1X19	1
32	42013226000	CU-SEAL RING DIN7603-10X16X1	2
40	58012040150	CLAMP FOR MIRROR '94	1
80	306054	BRAKE FLUID DOT 4.0	1

04585130

C05585130

* NEW PART

X ON DEMAND



POS	PARTNUMBER	PARTNAME	PIECE
1	0991080353	FLAT HEAD SCREW DIN7991-M 8X35	1
2	58303061000	SPECIAL WASHER ALU 8 X 24 MM	1
3	58403070044	FOOT BRAKE LEVER KPL. LC4 2001	1
4	0625006087	GROOVED BALL BEAR. 608 2RS C3	2
5	0991060203	% FLAT H.SCREW DIN7991-M6X20	1
6	58303063000	BRAKE LEVER STOP '93	1
9	13003062000	RETURN SPRING	1
11	54603069000	SWIVEL HEAD M6 FOOT BRAKE LEV.	1
12	0125080003	WASHER DIN0125-A 8,4	x
13	36003014000	LOCK WASHER 8MM	1
14	0985080003	SELF LOCKING NUT DIN0985-M 8	1
15	0934060003	HEXAGON NUT DIN0934-M 6	1
16	58503068000	PUSH ROD STEEL 100MM M6 01	1
17	58503060050	BRAKE LEVER AXLE RALLY 2001	1
18	54310086200	SELF LOCKING NUT M8 10.9	1
20	54513101044	MAIN BRAKE CYLINDER '89	1
24	54513150000	REPAIR KIT PISTON 13MM	1
30	0015060253	% HH COLLAR SCREW M 6X25 WS=8	2
32	50213161000	COLLAR BUSHING	2
33	58513038000	BRAKE CYL. PROTECTOR RALLYE 04	1
34*	56509064100	SELF LOCKING NUT M6 10.9	3
35	44011076305	CABLE TIE 300/4,8MM BLACK	1
50	42013226000	CU-SEAL RING DIN7603-10X16X1	2
51	50213025000	HOLLOW SCREW M10X1X19	1
60	54513030044	BRAKE FLUID RESERVOIR '89	1
63	0014060103	% HH COLLAR SCREW M 6X10 WS=8	2
64	59013068000	BRACKET BRAKE FLUID RESERVOIR	1
66	58031005000	CLAMP YDNAC 10128 12MM	2
67	58007016101	HOSE FOR RESERVOIR 6X1,5	x
70	6899785	LOCTITE 243 BLUE 6CCM	1
80	306054	BRAKE FLUID DOT 4.0	1

05585131

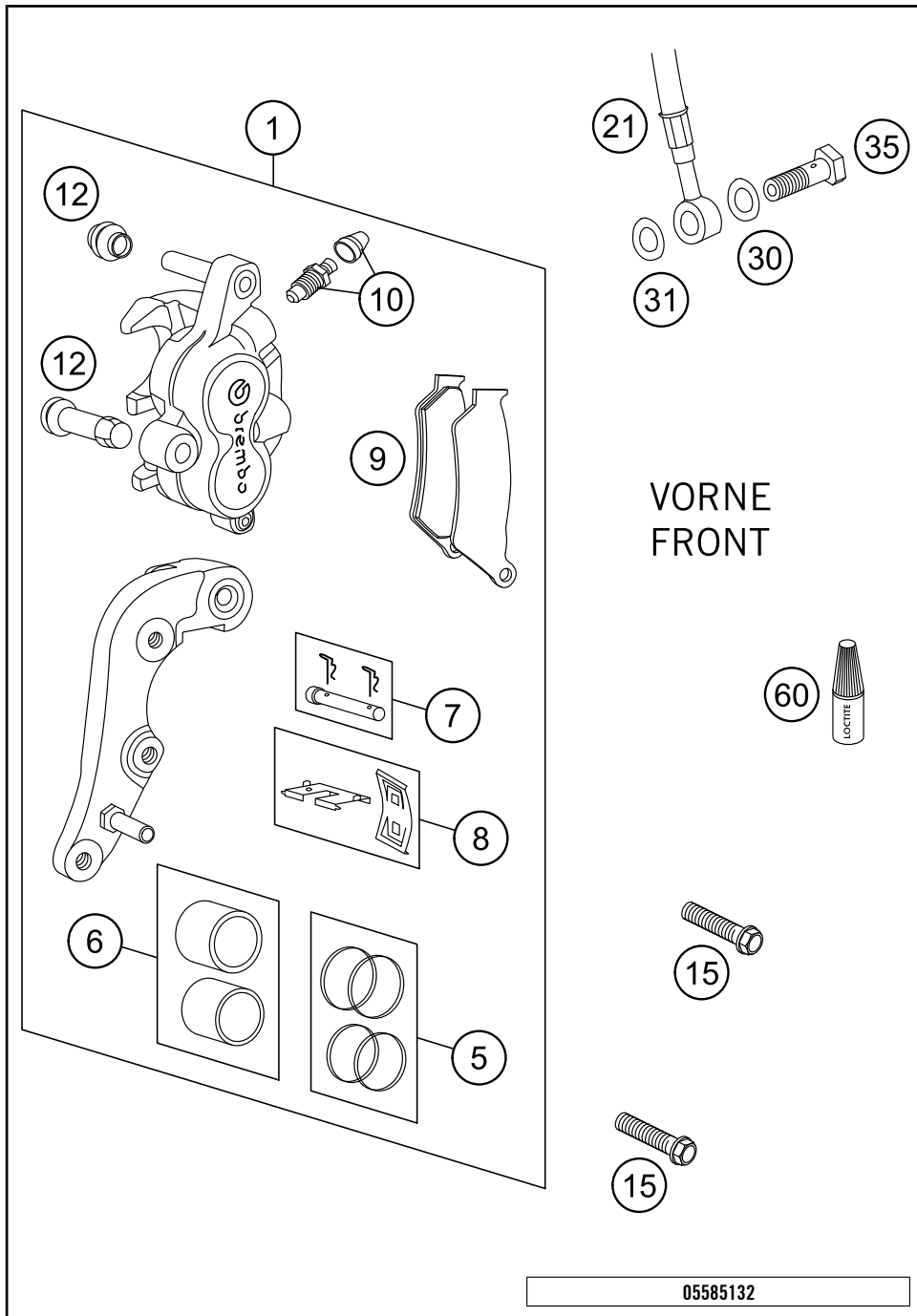
C05585131

* NEW PART

X ON DEMAND

BRAKE CALIPER FRONT

660 RALLY FACTORY REPLICA 2005



POS	PARTNUMBER	PARTNAME	PIECE
1	58413015144	BRAKECAL.FRONT CPL. 300MM 2000	1
5	54613205000	REPAIR KIT 28MM	1
6	54613206000	REPAIR KIT PISTON 28MM	1
7	54613210100	BOLT CPL. 6X56	1
8	54613212000	RETAINING PLATE SET BREMBO	1
9	58413030000	% BRAKE P.SET FR. TEXTART4069	1
10	54513214000	% BLEEDER SCREW M10X1	1
12	54613218000	CUP SET SHORT	1
15	0015080303	% HH COLLAR SCREW M 8X30 WS=10	2
21	58513011000	BRAKEHO. FRONT 1300MM 04	1
30	42013226000	CU-SEAL RING DIN7603-10X16X1	1
31	42013026000	CU-SEAL RING DIN7603-10X16X1,5	1
35	50213025000	HOLLOW SCREW M10X1X19	1
60	6899785	LOCTITE 243 BLUE 6CCM	1

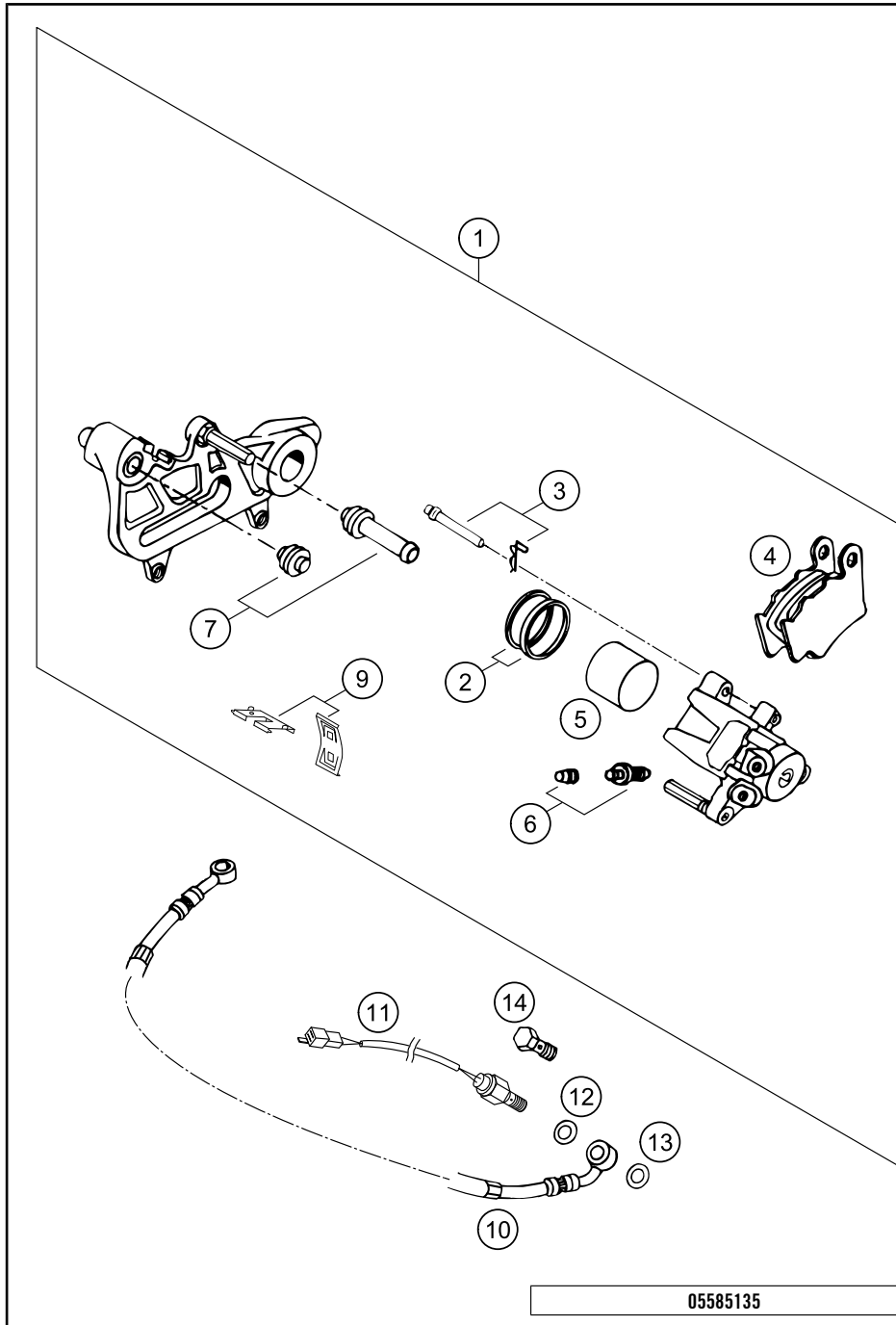
05585132

C05585132

* NEW PART X ON DEMAND

BRAKE CALIPER REAR

660 RALLY FACTORY REPLICA 2005



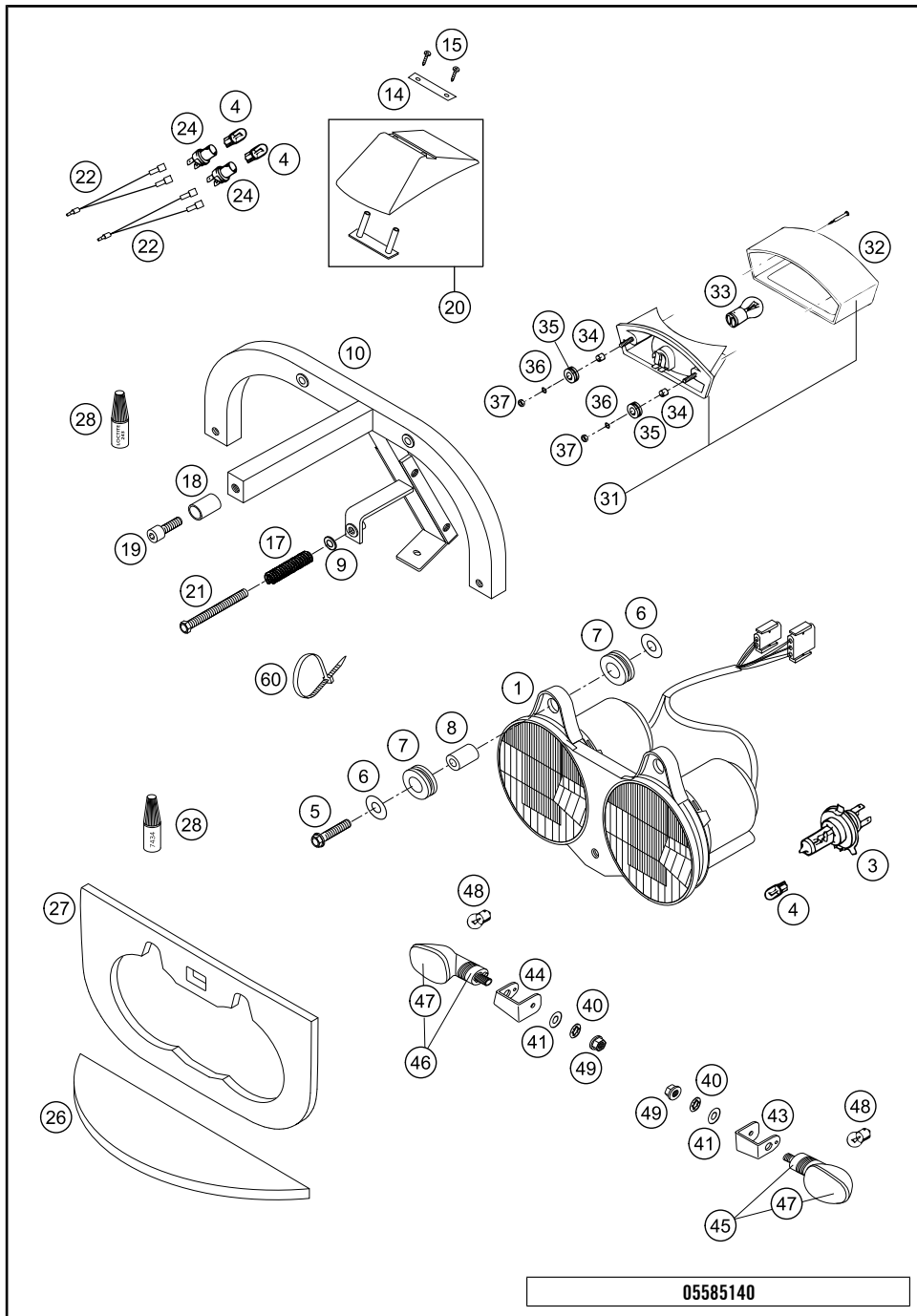
POS	PARTNUMBER	PARTNAME	PIECE
1	50213301644	BRAKE CALIPER CPL. REAR L/S	1
2	54613318200	REPAIR KIT SEALING RINGS 34MM	1
3	54613310200	BOLT SET	1
4	54613309200	BRAKE PAD SET FERIT ID450FF	1
5	54613305200	BRAKE PISTON 34MM	1
6	54513214000	% BLEEDER SCREW M10X1	1
7	54613218000	CUP SET SHORT	1
9*	54613311200	RETAINING SPRING SET	1
10	58313070000	BRAKE HOSE REAR 790MM '97	1
11	58511051100	BRAKE LIGHT SWITCH LONG	1
12	42013226000	CU-SEAL RING DIN7603-10X16X1	1
13	42013026000	CU-SEAL RING DIN7603-10X16X1,5	1
14	50213025000	HOLLOW SCREW M10X1X19	x

05585135

C05585135

* NEW PART

X ON DEMAND



POS	PARTNUMBER	PARTNAME	PIECE
1	58414001000	HEAD LIGHT TRIOM CPL. '96	1
3	54611038012	BULB HS1 12V 35/35W WHITE SOCKET PX43T	2
4	49011435000	% BULB 12V 5W (W2,1X9,5D)	10
5	0015060303	HH COLLAR SCREW M 6X30 SW=8	2
6	0021060003	WASHER DIN9021-A 6,4	4
7	41001052000	RUBBER SLEEVE D=12MM	4
8	56530060050	SPACER BUSHING 6X12X20 ALU	2
9	0021050003	WASHER DIN9021-A 5,3	x
10	58512091200	CARRIER FOR TRIOM HEAD L. 2001	1
14	58514046000	REAR LIGHT BRACKET	2
15	0981350133	SHEET MET.SCR.DIN7981-3,5X13	4
17	58311049007	TENSIONING SPRING 1 X 12 X 35	1
18	58512006100	BUSHING SLEEVE COVER FRONT 04	1
19	0738060301	COU.SUNK SCR. AH ISO7380 M6X30	1
20	58511099244	EXTRA REAR LIGHT LENS '97	2
21*	0933050603	* HH SCREW DIN0933-M 5X60	1
22	58511099200	WIRING HARNESS REAR LIGHT '99	4
24*	58514004000	SOCKET FOR BRAKE LIGHT '99	4
26	58512091251	FLASHBACKPROTECTION HORIZ. 01	1
27	58512091250	FLASHBACKPROTECTION VERTI.2001	1
28	6899792	% GRIP GLUE	1
28	6899785	LOCTITE 243 BLUE 6CCM	1
31	58311040000	REAR LIGHT CPL. CEV 358 '93	1
32	58311041000	LENS '93	1
33	58414042000	BULB 12V 21/5W (BAY15S)REINFO.	1
34	58011039000	SPACER BUSHING 6,5 X 8 X 7	2
35	31008060000	RUBBER SLEEVE D=8MM OPEN	2
36	0021060003	WASHER DIN9021-A 6,4	2
37	0985050003	SELF LOCKING NUT DIN0985-M 5	2
40	0797100003	LOCK WASHER DIN6797-J10,5 ZI	4
41	0125100003	WASHER DIN0125-A10,5	4
43	58514033000	FLASHER SUPPORT RALLYE L/S 01	1
44	58514034000	FLASHER SUPPORT RALLYE R/S 01	1
45	5841402500030	FLASHER CPL.FRONT L/S REAR R/S	2
46	5841402600030	FLASHER CPL.FRONT R/S REAR L/S	2
47	58414028000	FLASHER LENS L/S & R/S '98	4
48	44111015100	BULB 12V 10W (BA15S)	4

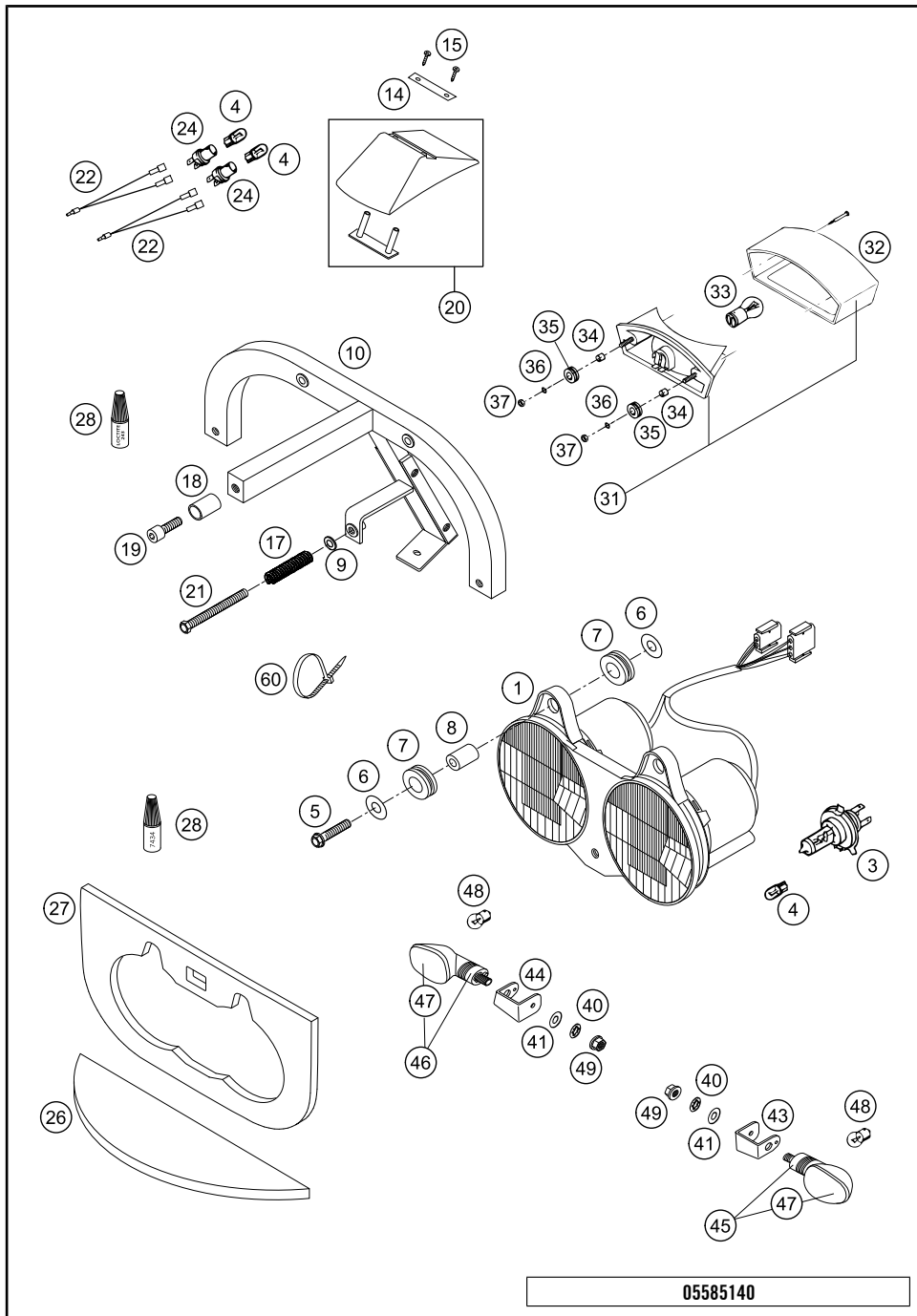
05585140

C05585140

* NEW PART X ON DEMAND

LIGHTING SYSTEM

660 RALLY FACTORY REPLICA 2005

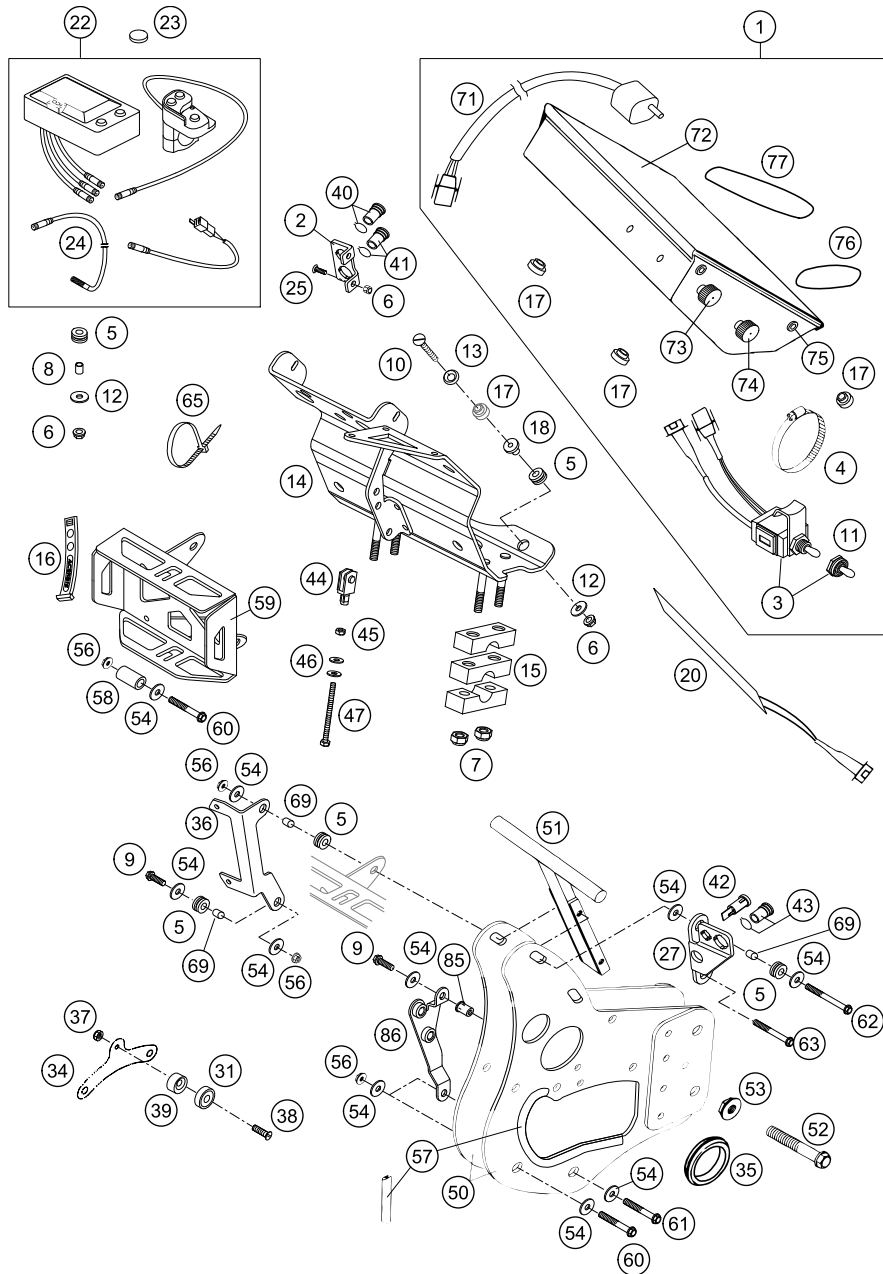


POS	PARTNUMBER	PARTNAME	PIECE
49	58414030000	HH COLLAR NUT M10X1,25 WS=13	4
60	44011076100	% CABLE TIE 100/2,5MM BLACK	x
60	44011076200	CABLE TIE 200/3,6MM BLACK	x

05585140

C05585140

* NEW PART X ON DEMAND



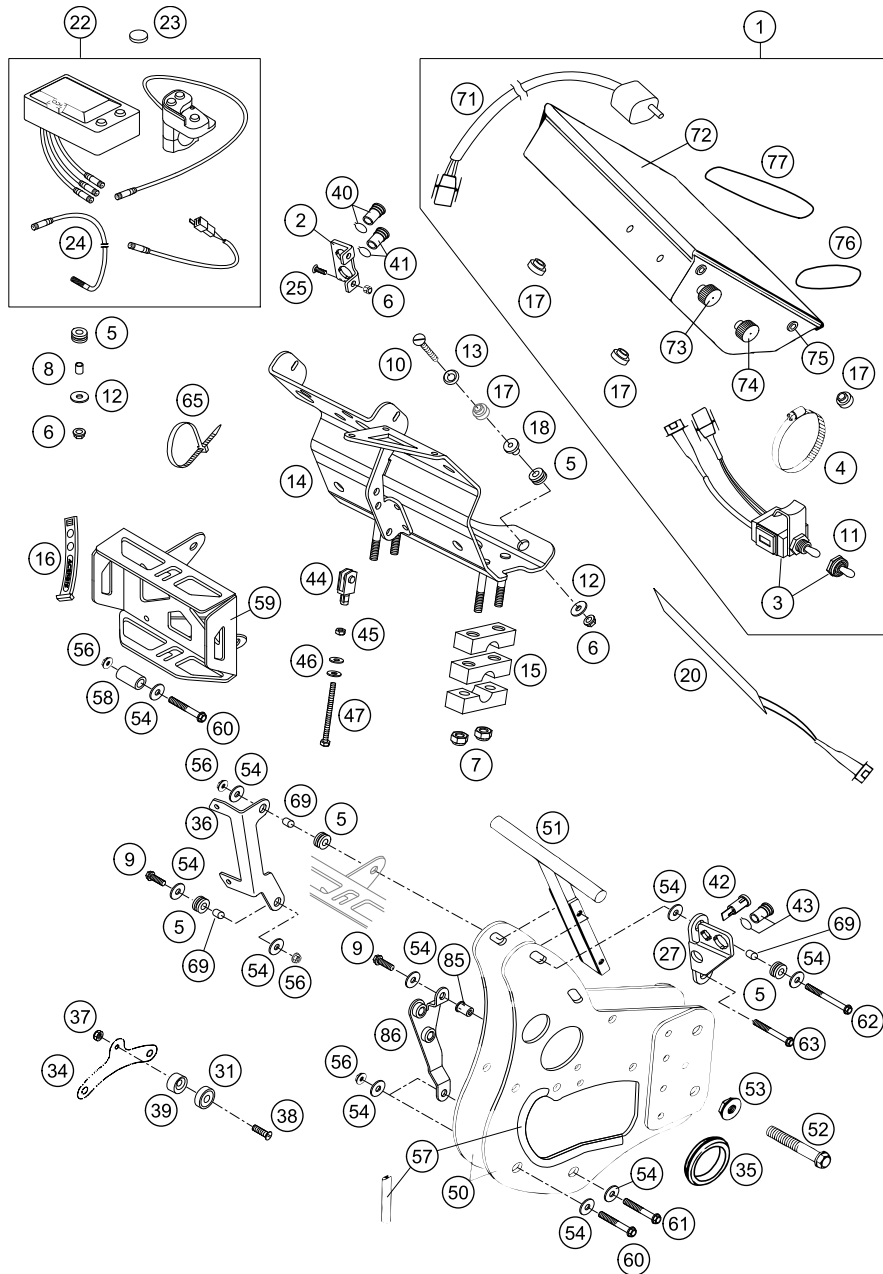
05585141

POS	PARTNUMBER	PARTNAME	PIECE
1	58512098144	ROADBOOK CPL. 2005	1
2	58511086000	BRACKET INDICATOR WATER OIL 01	1
3	58512075044	ROADBOOK SWITCH CPL. 03	1
4	10001020000	HOSE CLAMP GEMI 18-29	1
5	31008060000	RUBBER SLEEVE D=8MM OPEN	10
6	0985050003	SELF LOCKING NUT DIN0985-M 5	6
7	0985060003	SELF LOCK. NUT DIN0985-M 6	4
8	58011039000	SPACER BUSHING 6,5 X 8 X 7	2
9	0015060203	HH COLLAR SCREW M 6X20 WS=8	2
10	0991050253	FLAT HEAD SCREW DIN7991-M 5X25	4
11*	58512098160	NUT W.RUBBER COV. ROADB.SWITCH	1
12	0021050003	WASHER DIN9021-A 5,3	6
13	40006006000	WASHER 6MM	4
14	58512098150	ROAD BOOK BRACKET RALLYE 2004	1
15	58312098003	MOUNTING CLAMP FOR ROADBOOK	6
16	54611186000	RUBBER BAND	1
17*	50213161000	COLLAR BUSHING	4
18*	60014007000	SPACER BUSHING HEAD LIGHT 03	4
20	58512098100	LIGHT DIODE BRACKET CPL.RALLYE	1
22	58512085100	TRIPMASTER ICO RALLYE 04	1
23*	58512085160	BATTERY FOR ICO TRIPMASTER 04	1
24*	58512090150	SENSORKIT ITEM NR. 124 05	1
25	0965050103	FLAT HEAD SCREW DIN0965-M 5X10	2
27	58511086200	BRACKET SWITCH INDICATOR 01	1
31	58314069050	MAGNET LOOSE '97	1
34	58214050050	BRACKET SENSOR MAGNET ADV. '97	1
35	54635022000	SLEEVE FOR STEERING HEAD	2
36	58511084000	BRACKET F. FUSE BOX 2001	1
37	0985040003	SELF LOCKING NUT DIN0985-M 4	1
38	0966040203	OVAL HEAD SCREW DIN966 M4X20	1
39	58303063000	BRAKE LEVER STOP '93	1
40	58011025000	OIL INDICATOR LIGHT RED IGNITON INDICATOR LIGHT RED	1
41	58011022400	TEMPERATURE WARN. LIGHT RED'98	1
42	58011021200	HIGH BEAM INDICATOR LIGHT BLUE	1
43	58011024300	FLASHER INDICAT.LIGHT GREEN'98	1
44*	58512078000	FORK HEAD WITH PIN	1
45*	0934050003	HEXAGON NUT DIN0934-M 5	1

C05585141

* NEW PART

X ON DEMAND



05585141

POS	PARTNUMBER	PARTNAME	PIECE
46*	012505003	WASHER DIN0125-A 5,3	2
47*	0931050603	HH SCREW DIN931 M5X60	1
50*	58512089044	SUPPORT F.NAVIGATIONSEQUIPMENT	1
51	58512090000	SUPPORT FOR ROADBOOK	1
52	0015080503	HH COLLAR SCREW M 8X50 WS=10	2
53	54310086200	SELF LOCKING NUT M8 10.9	2
54	0021060003	WASHER DIN9021-A 6,4	13
56	56509064100	SELF LOCKING NUT M6 10.9	6
57	58312085100	EDGE PROTECTOR PER METER	0
58	58512005000	SPACER BUSHING NAV.SUPPORT 01	1
59	58512077200	SUPPORT F.TROUBL.ST. RALLYE'04	1
60	0015060453	% HH COLLAR SCREW M 6X45 WS=8	2
61	0015060503	% HH COLLAR SCREW M 6X50 WS=8	1
62	0015060553	HH COLLAR SCREW M 6X55 WS=8	1
63	0015060653	HH COLLAR SCREW M 6X65 WS=8	1
65	44011076100	% CABLE TIE 100/2,5MM BLACK	x
65	44011076200	CABLE TIE 200/3,6MM BLACK	x
65	44011076305	CABLE TIE 300/4,8MM BLACK	x
69	54431032050	SPACER BUSHING 6X8X8,5	4
71	58512074044	ROADBOOK ENGINE CPL. 03	1
72	58512074020	PLASTIC COVER FOR ROADBOOK 03	1
73	58512074030	ALU-BUTTON TOP FOR ROADBOOK 03	1
74	58512074040	ALU-BUTTON BASE F. ROADBOOK 03	1
75	58512074050	PLASTIC BUSHING F. ROADBOOK 03	7
76	58512074060	O-RING FOR ROADBOOK SHORT 03	1
77	58512074070	O-RING FOR ROADBOOK LONG 03	1
85	55003139600	BLIND RIVET NUT M 6X15,5 STEEL	1
86	58512086050	% BRACKET FOR DIGI-BOX RALLYE	1

C05585141

* NEW PART

X ON DEMAND

A large, empty rectangular box with a thin black border, occupying the majority of the page. It is intended for handwritten notes.

A large, empty rectangular box with a thin black border, occupying the majority of the page. It is intended for handwritten notes.

WWW.KTM.COM



KTM Sportmotorcycle GmbH
5230 Mattighofen, Austria
www.ktm.com



KTM_POWERPARTS

KTM_POWERWEAR

KTM_ORIGINAL SPARE PARTS



3CF 9799E9EN

Art. Nr.: 3CF 9799E9EN 10. Nov 2015