

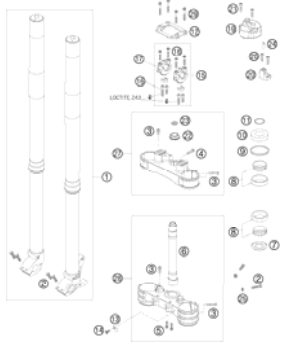
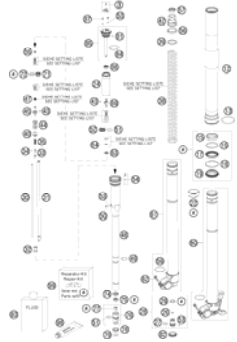

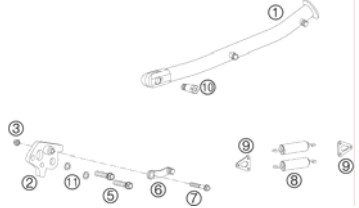

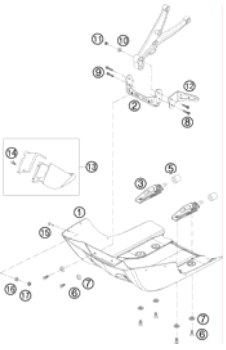
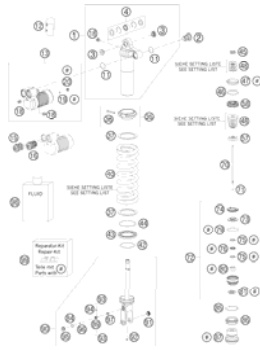
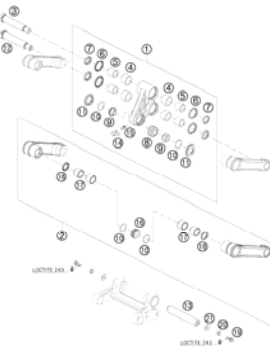
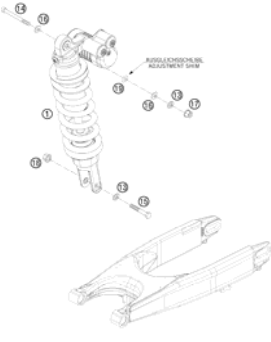
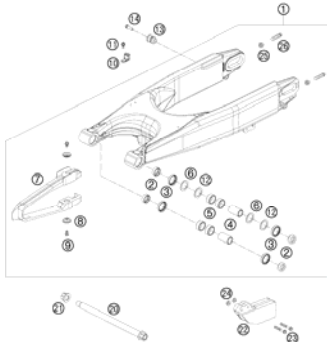
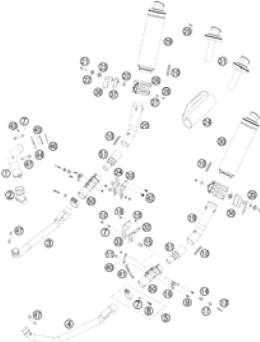
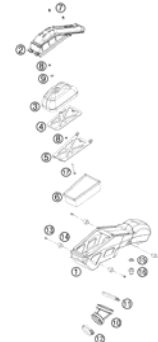
690 RALLY FACTORY REPLICA 2010

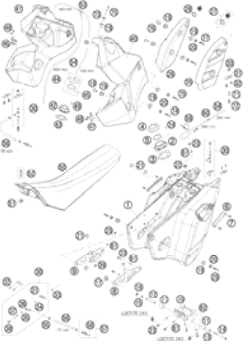

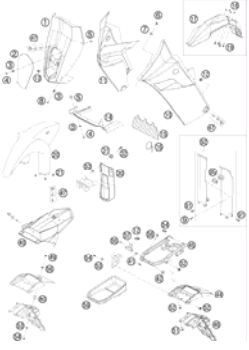
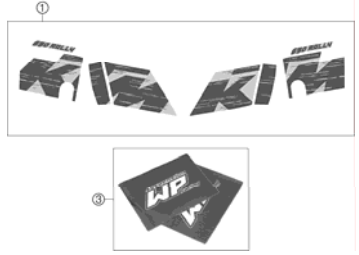
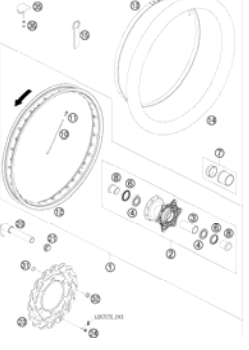
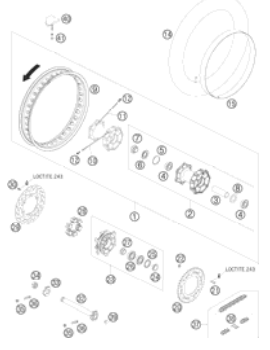
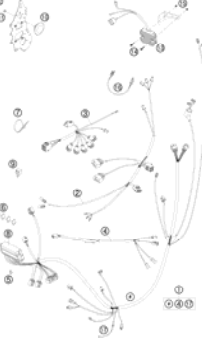
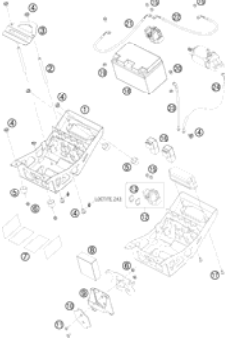
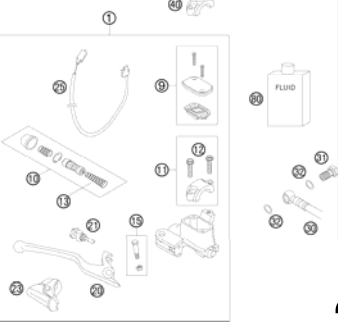

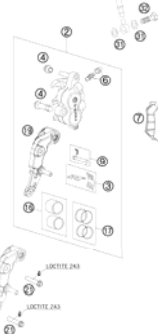
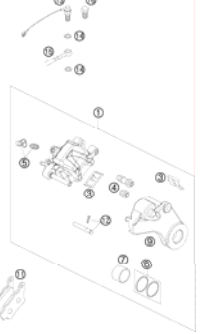
SPARE PARTS MANUAL: CHASSIS




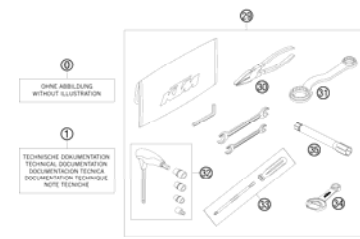
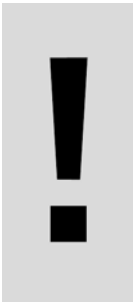
ART.NO.: 3CF9799J8EN

ENGLISH



<p>FRONT FORK, TRIPLE CLAMP</p>  <p>4</p>	<p>FRONT FORK DISASSEMBLED</p>  <p>5</p>	<p>HANDLEBAR, CONTROLS</p>  <p>7</p>	<p>SIDE / CENTER STAND</p>  <p>8</p>
<p>FRAME</p>  <p>9</p>	<p>ENGINE GUARD</p>  <p>11</p>	<p>SHOCK ABSORBER DISASSEMBLED</p>  <p>12</p>	<p>PRO LEVER LINKING</p>  <p>14</p>
<p>SHOCK ABSORBER</p>  <p>15</p>	<p>SWING ARM</p>  <p>16</p>	<p>EXHAUST SYSTEM</p>  <p>17</p>	<p>AIR FILTER</p>  <p>19</p>

<p>TANK, SEAT</p>  <p>20</p>	<p>FUEL PUMP</p>  <p>22</p>	<p>MASK, FENDERS</p>  <p>23</p>	<p>DECAL</p>  <p>25</p>
<p>FRONT WHEEL</p>  <p>26</p>	<p>REAR WHEEL</p>  <p>27</p>	<p>WIRING HARNESS</p>  <p>29</p>	<p>BATTERY</p>  <p>30</p>
<p>HAND BRAKE CYLINDER</p>  <p>31</p>	<p>REAR BRAKE CONTROL</p>  <p>32</p>	<p>BRAKE CALIPER FRONT</p>  <p>33</p>	<p>BRAKE CALIPER REAR</p>  <p>34</p>

<p>LIGHTING SYSTEM</p>  <p style="text-align: right;">35</p>	<p>INSTRUMENTS / LOCK SYSTEM</p>  <p style="text-align: right;">36</p>	<p>RALLY LIGHT MODIFICATION KIT</p>  <p style="text-align: right;">39</p>	<p>ACCESSORIES KIT</p>  <p style="text-align: right;">41</p>
	<div style="display: flex; align-items: center;">  <p>All information contained is without obligation. KTM-Sportmotorcycle AG particularly reserves the right to modify any equipment, technical specifications, prices, colors, shapes, materials, services, service work, constructions, equipment and the like so as to adapt them to local conditions or to cancel any of the above items, all without previous announcement and without giving reasons. KTM may stop manufacturing certain models without previous notice. KTM shall not be held liable for any deviations of availability and/or ability to deliver, illustrations, descriptions, printing and/or other errors. The illustrated models partly contain extra equipment, which is not applied to standard models. © by KTM-SPORTMOTORCYCLE AG, Mattighofen AUSTRIA; All rights reserved; Reprint, also in extracts, with written allowance of KTM-SPORTMOTORCYCLE AG, Mattighofen only.</p> </div>		

FRONT FORK, TRIPLE CLAMP

690 RALLY FACTORY REPLIC 2010

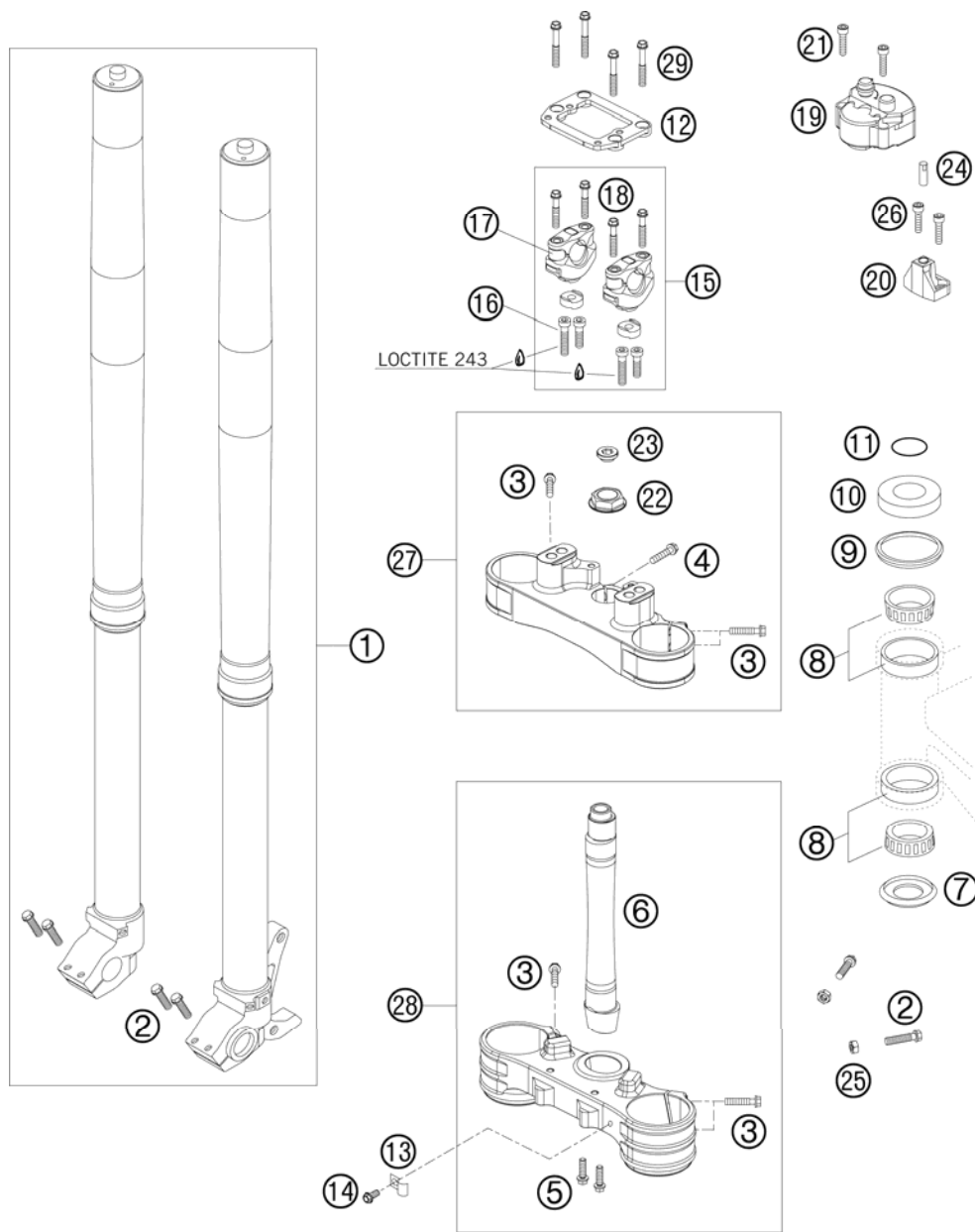


FIG	PART NUMBER	DESCRIPTION	QTY
1	14187E1001	FORK KTM RALLY FACT.REP. 2009	1
2	0025080256	HH COLLAR SCREW M8X25 TX40	6
3	0025080306	HH COLLAR SCREW M8X30 TX40	8
4	0025080256S	HH COLLAR SCREW M8X25 TX40	1
5	0025080206	HH COLLAR SCREW M8X20 TX40	2
6	76201033000	FORK TUBE	1
7	54601084100	O-RING SUPPORT W. SEALING LIP	1
8	54201081100	TAPERED ROLLER BEARING CPL. 06	2
9	54601184000	STEERING HEAD GASKET TOP	1
10	76201086000	STEERING HEAD COVER SHORTENED	1
11	0770025035	O-RING 25X3,55 NBR70 05	1
12	R0502003000	GPS SUPPORT MILLED 07	1
13	50211096000	CLAMP FOR WIRING HARNESS	1
14	0025050166	HH COLLAR SCREW M5X16 TX30	1
15	SXS07125200	PROGRESSIVE HANDLEB.SUPP.PHDS	1
16	0912100256	AH SCREW DIN0912-M10X25 10.9	2
16	0912100356	AH SCREW DIN6912-M10X35 10.9	2
17	SXS05125203	ELASTOMER GREEN/SOFT	x
17	SXS05125204	ELASTOMER YELLOW/MEDIUM	4
17	SXS05125205	ELASTOMER RED/HARD	x
18	0025080456	HH COLLAR SCREW M8X45 TX40	4
19	58512050100	STEERING DAMPER	1
20	76203001079	STEERING DAMPER BRACKET CPL 07	1
21	0912060253	AH SCREW DIN0912-M 6X25	2
22	76206450404	LOCKING NUT M20 STEERING HEAD	1
23	76206450405	LOCKING SCREW M20	1
24	58502006100	PIN F.STEERING STAB. 8MM 05	1
25	46030045000	COLLAR NUT M8 WS=10	2
26	0012060164	AH SCREW DIN6912 M6X16 SL	2
27	76201034022	TOP TRIPLE CLAMP 22MM 07	1
28	76201032022	BOT. TRIPLE CLAMP CPL. 22MM 07	1
29	0025080556	HH COLLAR SCREW M8X55 TX40	4

077620110 / C107620110

* NEW PART

X AS REQUIRED

FRONT FORK DISASSEMBLED

690 RALLY FACTORY REPLICA 2010

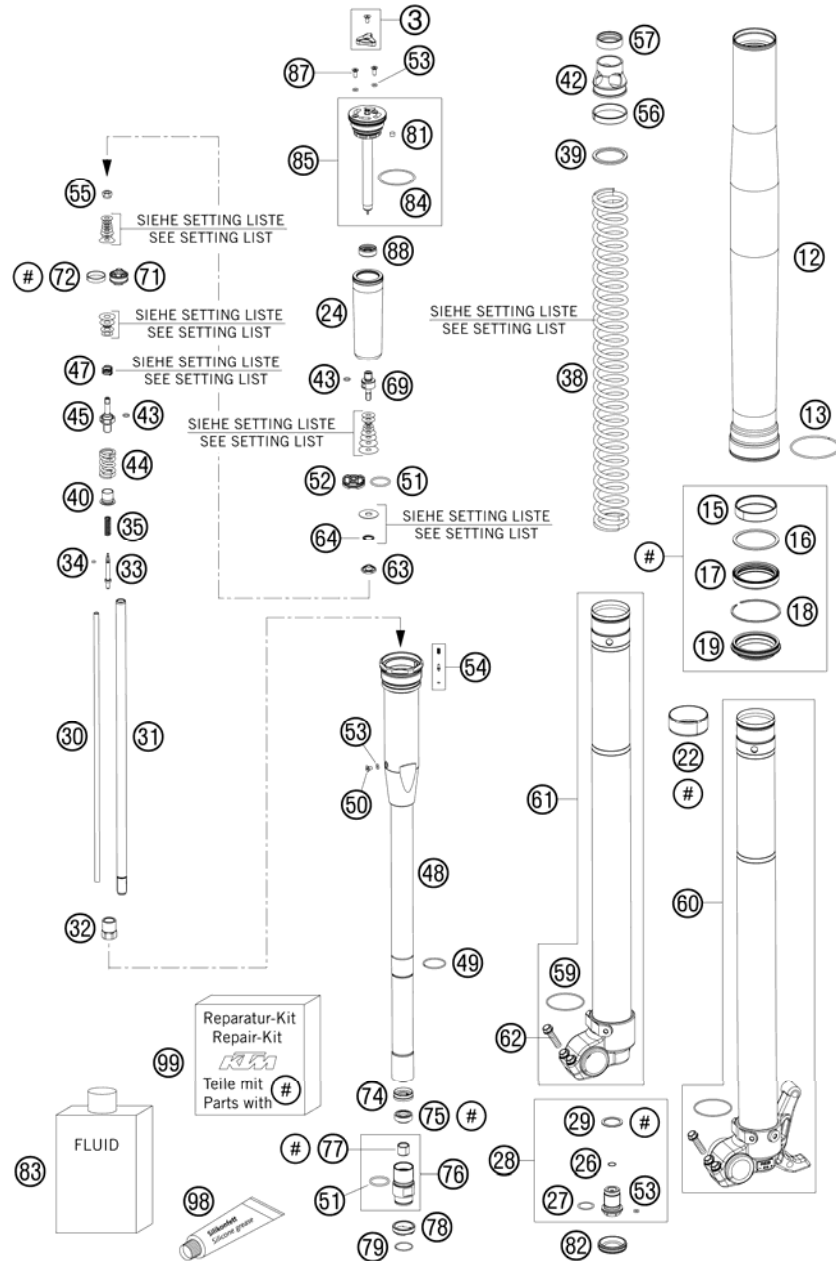


FIG	PART NUMBER	DESCRIPTION	QTY
3	48600811S	ADJUSTING KNOB + SCREW	2
12	48600761	OUTER TUBE L577 D54/60MM	2
13	48600016	GUIDING RING D=58MM	2
15	48600429	DU-BUSH D48XD52X12DDL02	2
16	48600013	SUPPORT RING 50 X 57,6 X 1,5	2
17	48600347	OIL SEAL RING 48X57,8X9,5 03	2
18	48600070	LOCK WASHER SB58	2
19	48600400	DUST CAP D=48 58,4X11,8	2
22	48600428	DU-BUSH D47XD49X20DDL02	2
24	48600281	MEMBRANE	2
26	48600301	O-RING NBR 9,5X1,5	2
27	46810811	O-RING NBR 17X2 PA	2
28	48600280S	SCREW BUSH M20X1 L=33 CPL.	2
29	48600275	COPPER WASHER 20,5X26X1	2
30	48600269	ADJUSTING TUBE L=371	2
31	48600464	PISTON ROD SXS 2005	2
32	48600459	COUNTERNUT M12X1 WS17	2
33	48600277	ADJUSTER NEEDLE 07	2
34	48600298	O-RING 2X1,5 NBR	2
35	48600444	REBOUND SPRING C=4N/MM	2
38	91410020S	SPRING 4,8N/MM SET D=5,25 MM	x
38	91410030S	SPRING 5,0 N/MM	2
39	48600456	SPACER 43X35X2,5	2
39	48600457	SPACER 43X35X5	x
39	48600458	SPACER 43X35X1,5	x
40	48600525	GUIDING BUSH REBOUND SPRING	2
42	48600520	SPRING SUPPORT	2
43	48600299	O-RING 6X1,2 NBR	4
44	48600578	SPRING REB. L=32 C=37 DI=13,9	2
45	48600576	PISTON ROD REBOUND	2
47	48600382	SHUTTLE VALVE SPRING C=0,4	2
48	48600519S2	MEMBRANE HOLDER	2
49	48600512	LOCK WASHER D=25,5	2
50	48600542	AH SCREW M4X6	2
51	46811499	O-RING NBR 21X2	4
52	48600047	PISTON COMPRESSION D=27,9	2

097620130 / C107620130

* NEW PART

X AS REQUIRED

FRONT FORK DISASSEMBLED

690 RALLY FACTORY REPLICA 2010

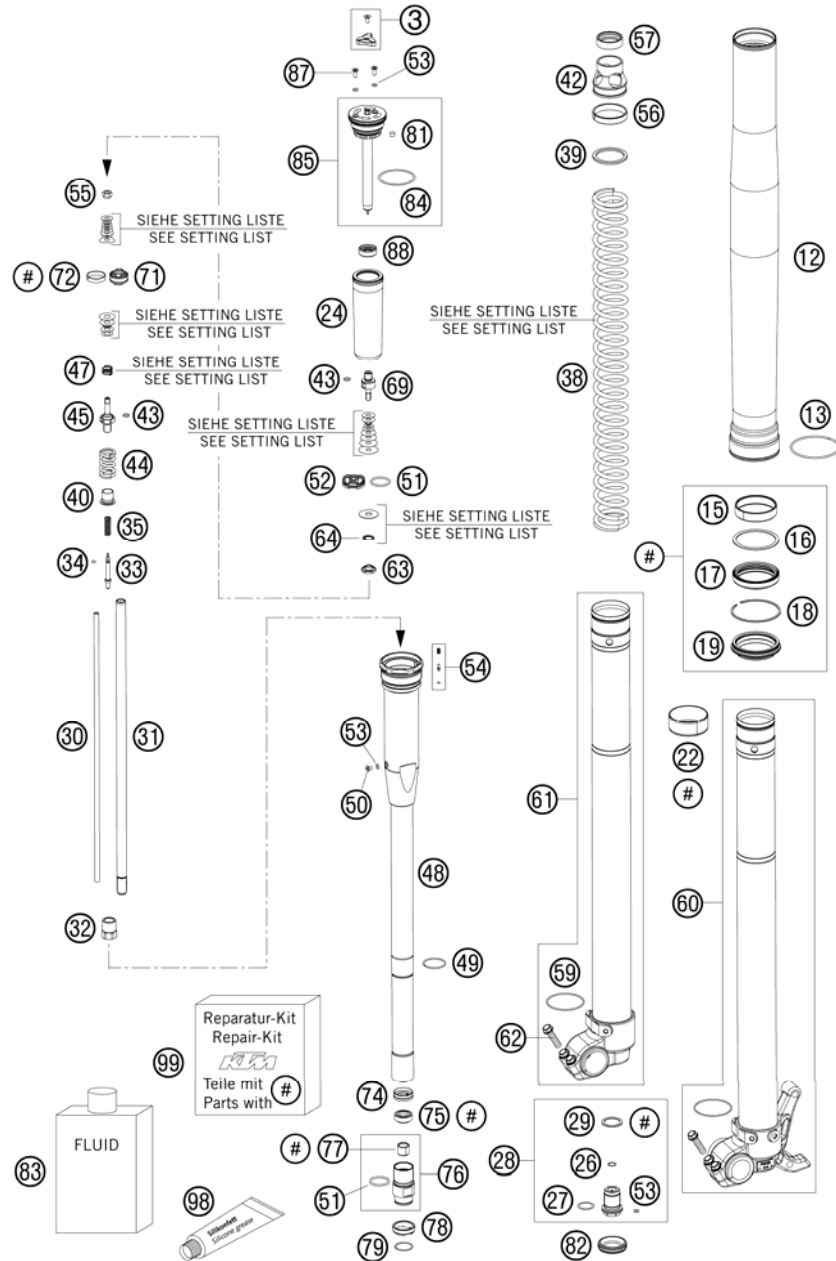


FIG	PART NUMBER	DESCRIPTION	QTY
53	50180222	O-RING NBR 4X1,5	8
54	48600518S	PIN VALVE SET	2
55	40540486	NUT M6X0,5 REBOUND	2
56	48600294	GUIDE RING 44,2 X39,3	2
57	48600577	RING SPRING-SUPPORT	2
59	48600048	O-RING NBR 46 X 2	2
60	48600838S1	AXLE CLAMP L/S + TUBE CPL.	1
61	48600837S1	AXLE CLAMP R/S + TUBE CPL.	1
62	0025080256	HH COLLAR SCREW M8X25 TX40	4
63	48600163	CHECK VALVE NUT M6X0,5 D=2	2
64	48600202	SPRING CHECK VALVE D=0,7	2
69	48600509	PISTON ROD COMPRESSION	2
71	48600575	PISTON REBOUND SX 2007	2
72	48600455	PISTON RING 5X1X68	2
74	48600296	RING D=23,45X2,65	2
75	48600471	PISTON ROD SEALING	2
76	48600546S	SCREW SLEEVE M24,5X1 CPL.	2
77	48600430	DU BUSH FOR PISTON ROD	2
78	48600297	CHECK VALVE STOP	2
79	48600446	LOCK WASHER D=20	2
81	15080017	SILICON CAP	2
82	48600692	RUBBER CAP D=26,4	2
83	48600765S1	FORK OIL SAE5 5L 2008	1
84	40140024	O-RING NBR 43X2	2
85	48600516S1	SCREW CAP CPL. L=125	2
87	48600526	SCREW M4X10	4
88	48600514	MEMBRANE SLEEVE	2
98	T511	SILICONE GREASE F. DUST STRI	1
99	R14014	REPAIR-KIT GASKET 48MM 0	1

097620130 / C107620130

* NEW PART

X AS REQUIRED

HANDLEBAR, CONTROLS

690 RALLY FACTORY REPLICA 2010

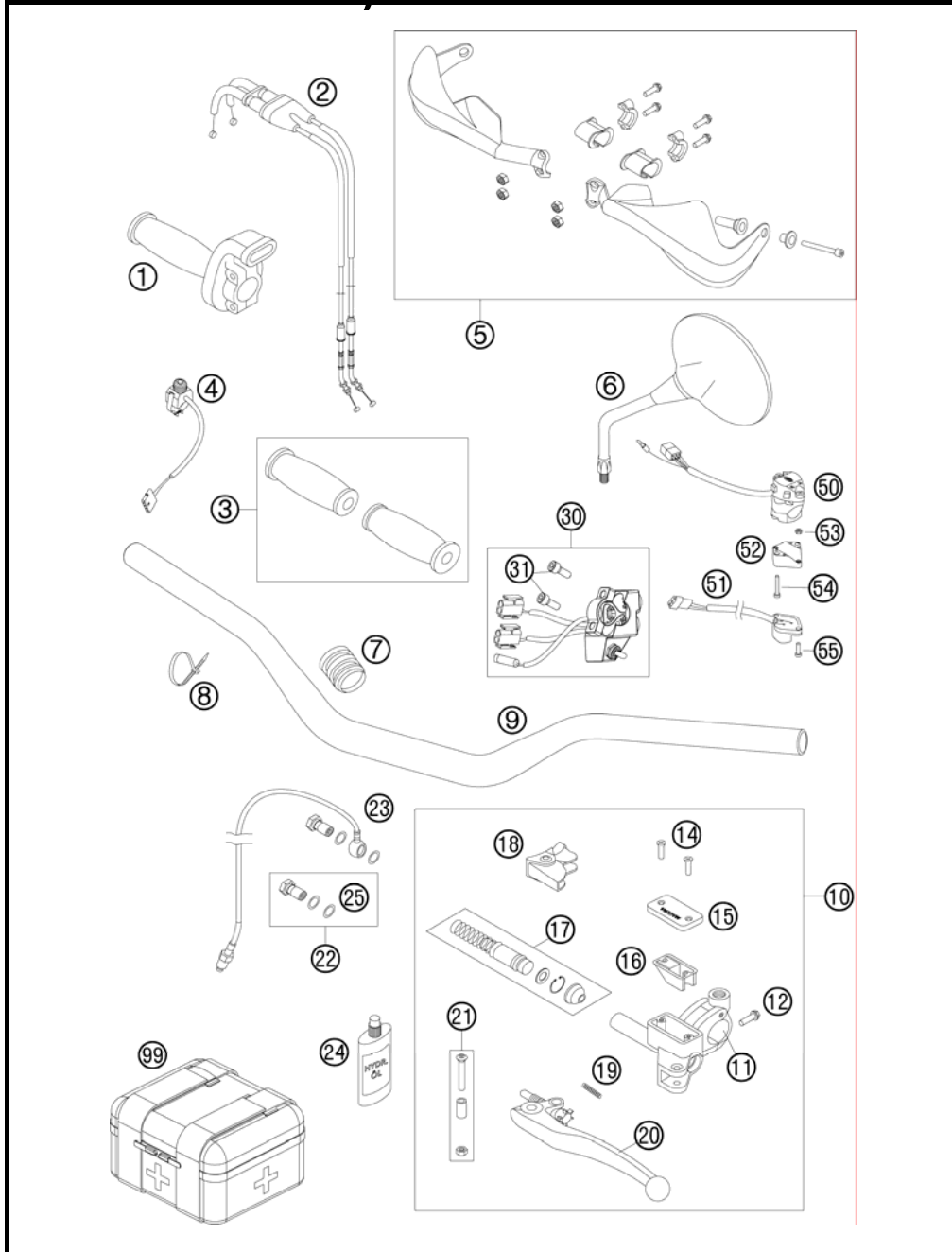


FIG	PART NUMBER	DESCRIPTION	QTY
1	58502010000	THROTTLE GRIP 02	1
2	59002091300	THR.CABLE"OPEN-CLOSE"KEIHIN 02	1
3	58502139044	RUBBER GR. PRO GRIP 06	1
4	63011074000	STARTER BUTTON 06	1
5	6000207910030	HANDGUARD L/S+R/S CPL.BLACK 04	1
6	58412040100	REAR MIRROR L/S+R/S LC4 2001	2
7	54605057000	RUBBER SLEEVE D=21MM/23MM '93	1
8	44011076200	CABLE TIE 200/3,6MM BLACK	1
9	59002001000	HANDLEBAR 28MM HIGH 2000	1
10	75002030000	MASTER CYLINDER CPL. 11MM 07	1
11	60002044000	CLAMP MIRROR WITH CLAMP	1
12	0025060206	HH COLLAR SCREW M6X20 TX30	1
14	0965040123	FLAT HEAD SCREW DIN0965-M 4X12	2
15	50302033000	COVER FOR HYDR. CLUTCH '98	1
16	50302034000	RUBBER FOR RESERVOIR '98	1
17	75002032000	REP.SET PISTON 11MM 07	1
18	50302037000	PROTECT.CAP FOR LEVER PERCH'98	1
19	59002035000	SPRING FOR CLUTCH LEVER 03	1
20	60002031000	CLUTCH LEVER LONG CPL. 2003	1
21	50302038000	LEVER SCREW CPL. 125-200 '98	1
22	59032062000	HOLLOW SCREW + COPPER GASKET	1
23	59032063100	CLUTCH PIPE RACING 2003	1
24	50302036200	OIL FOR HYD. CLUTCH 75ML	1
25	59413013050	COPPER GASKET	2
30	76212175044	ROADBOOK SWITCH CPL. 09	1
31	0912060163	AH SCREW DIN0912-M 6X16	2
50	50311070000	H.LIGHT SWITCH CEV 2/4TAKT '98	1
51	50311029000	FLASHER SWITCH CEV '98	1
52	13011070060	ADAPTER FOR FLASHER SWITCH '98	1
53	0934040003	HEXAGON NUT DIN0934-M 4	2
54	0084040223	CYL.HEAD SCREW DIN0084-M 4X22A	2
55	0985040163	FLAT HEAD SCREW DIN7985-M 4X16	2
99	76212002000	FIRST AID CASE	1

097620210 / C097620210

* NEW PART

X AS REQUIRED

SIDE / CENTER STAND

690 RALLY FACTORY REPLICA 2010

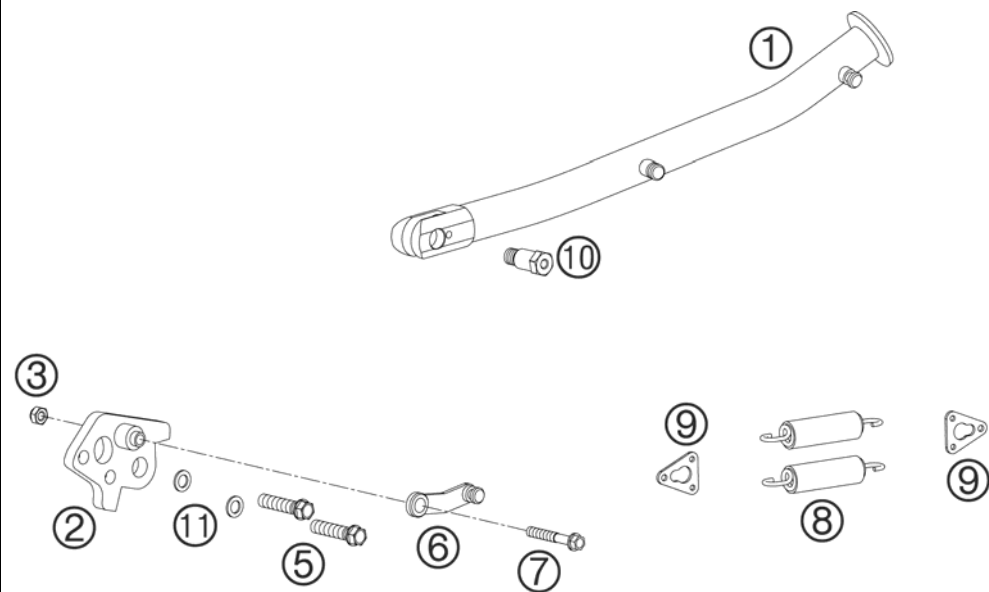


FIG	PART NUMBER	DESCRIPTION	QTY
1	76203023000	SIDE STAND PIPE CPL. 07	1
2	76203026044	SIDE STAND BRACKET 07	1
3	0985060003	SELF LOCK. NUT DIN0985-M 6	1
5	0025080356	HH COLLAR SCREW M8X35 TX40	2
6	76203080044	PLATE SIDE STAND MECH. CPL.	1
7	0025060406	HH COLLAR SCREW M6X40 TX30	1
8	60003024000	SPRING FOR SIDE STAND 03	2
9	60003028003	SUPPORT SIDE STAND SPRING 03	2
10	58203027200	SCREW FOR SIDE STAND M10X26,7	1
11	36003014000	LOCK WASHER 8MM	2

077620360 / C097620360

* NEW PART

X AS REQUIRED

FRAME

690 RALLY FACTORY REPLICA 2010

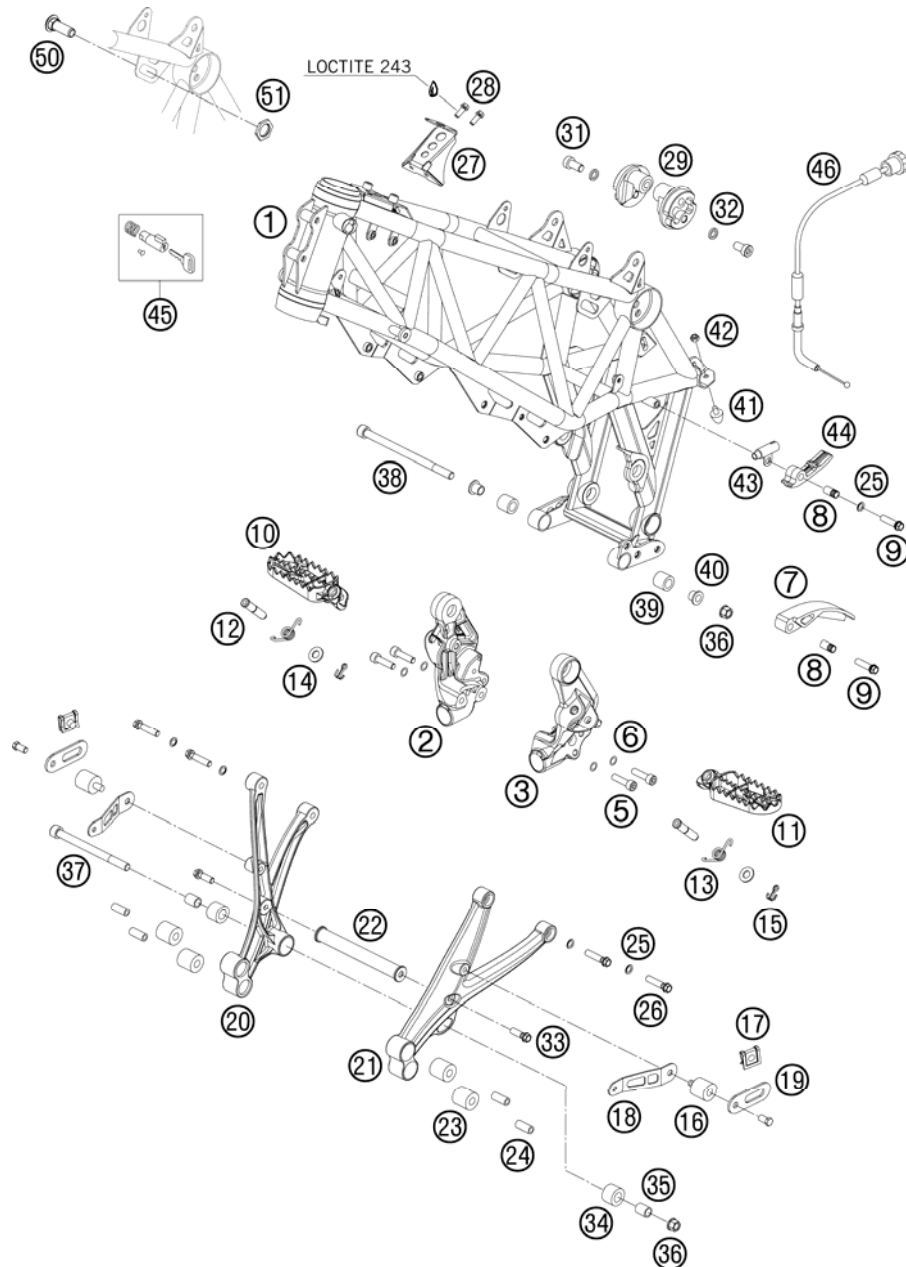


FIG	PART NUMBER	DESCRIPTION	QTY
1	7620300100090	FRAME RALLYE 07	1
2	76203039000	FOOTREST BRACKET RIGHT 07	1
3	76203038000	FOOTREST BRACKET LEFT 07	1
5	0912080303	AH SCREW DIN0912-M 8X30	4
6	36003014000	LOCK WASHER 8MM	4
7	76204066000	CHAIN SLIDING PART 08	1
8	51103053051	BUSHING 8,2X10X20	2
9	0025080356S	HH COLLAR SCREW M8X35 TX40	2
10	76203041250	FOOTREST RIGHT RALLY 07	1
11	76203040250	FOOTREST LEFT RALLY 07	1
12	54603044000	BOLT FOR FOOTREST 9,8 X 50	2
13	54603041000	FOOTREST SPRING L/S & R/S	2
14	0125100003	WASHER DIN0125-A10,5	2
15	0094032253	PIN DIN0094-3,2X25 STEEL	2
16	51005062100	RUBBER GROMMET 30X20-M8X12	2
17	54603048000	RANGE CHANGE METAL NUT M8	2
18	76203005030	RADIATOR STRUT	2
19	76203002420	FUEL TANK SUPPORT PLATE	2
20	76203006000	ENGINE SUPPORT RIGHT 07	1
21	76203005000	ENGINE SUPPORT LEFT 07	1
22	76203005040	CROSS MEMBER CPL. 08	1
23	76203005031	RUBBER INSERT	4
24	76203005050	BUSH ENGINE SUPPORT	4
25	36003014000	LOCK WASHER 8MM	5
26	0025080356	HH COLLAR SCREW M8X35 TX40	4
27	76203001066	JOINT PLATE SEAT 07	1
28	0912060163	AH SCREW DIN0912-M 6X16	2
29	76203001072	ADAPTER MONOSHOCK ANCHOR BOLT	2
31	0912100163	AH SCREW DIN0912-M10X16	2
32	50233041100	PAIR OF WASHERS M10 NORDLOCK	1
33	0025080206	HH COLLAR SCREW M8X20 TX40	2
34	76203018000	ELASTOMER BEARING	2
35	76203019000	COLLAR BUSH FOR ELAST.BEARING	2
36	54630044000	COLLAR NUT M10 WS=13	2
37	0912101406	AH SCREW DIN912 M10X140 10.9	1
38	0912101906	AH SCREW DIN 912 M10X190 10.9	1

107620310 / C107620310

* NEW PART

X AS REQUIRED

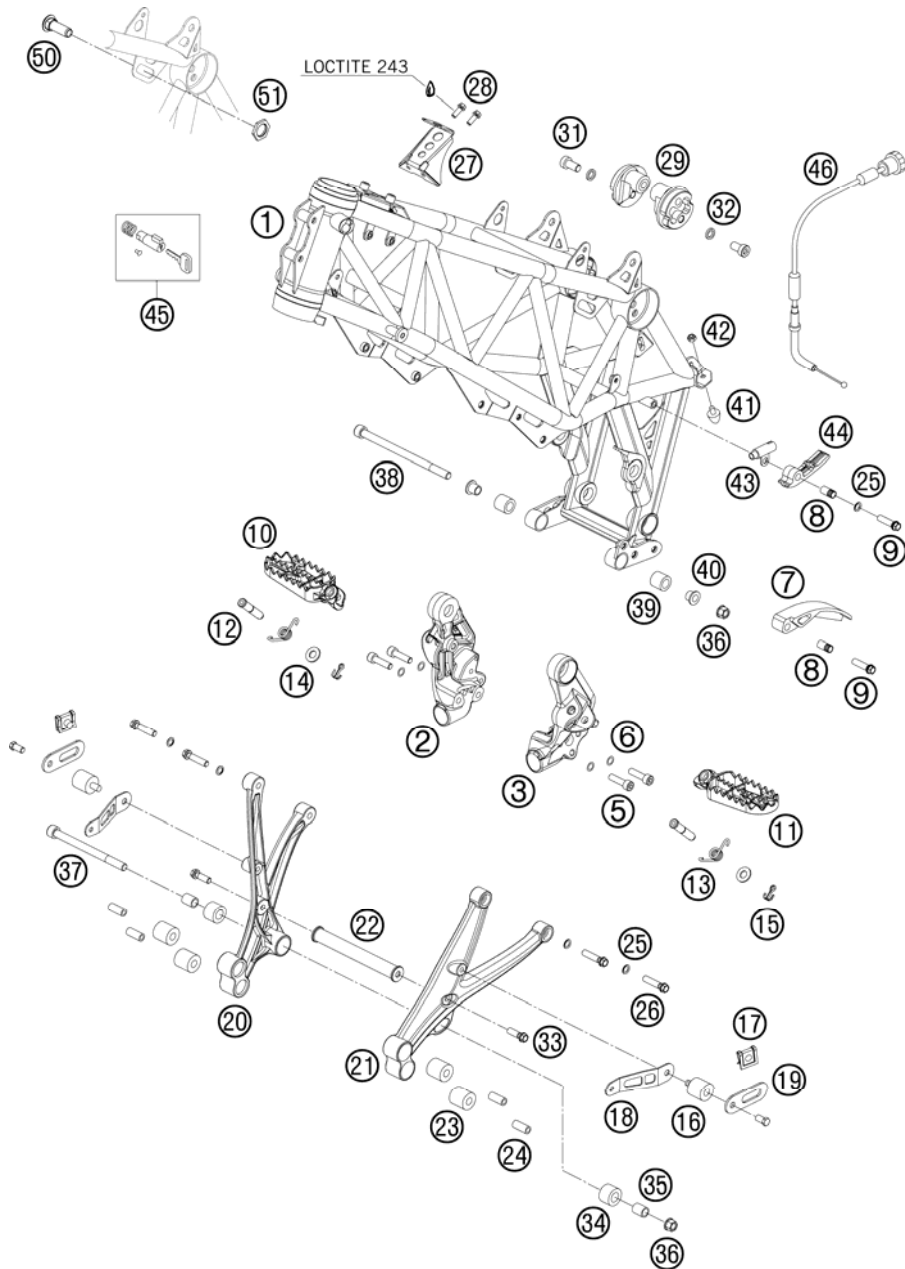


FIG	PART NUMBER	DESCRIPTION	QTY
	39	76203016000 ELASTOMER BEARING	2
	40	76203017000 COL. BUSH. F. EL. MOT. BEARING	2
	41	76203001091 PUMP RUBBER KP PARABOLIC	2
	42	0985060003 SELF LOCK. NUT DIN0985-M 6	2
	43	76202095051 SLEEVE FOR CHOKE CABLE	1
	44	54804067000 CHAIN SLIDING PIECE 03	1
	45	71003007000 STEERING HEAD LOCK CPL. ZADI	1
	46	76202095000 CHOKE-CABLE l = 235 07	1
	50	58512068100 FIXING SCREW TANK REAR	2
	51	60512063050 NUT F.TANK BRACKET REAR	2

107620310 / C107620310

* NEW PART

X AS REQUIRED

ENGINE GUARD

690 RALLY FACTORY REPLICA 2010

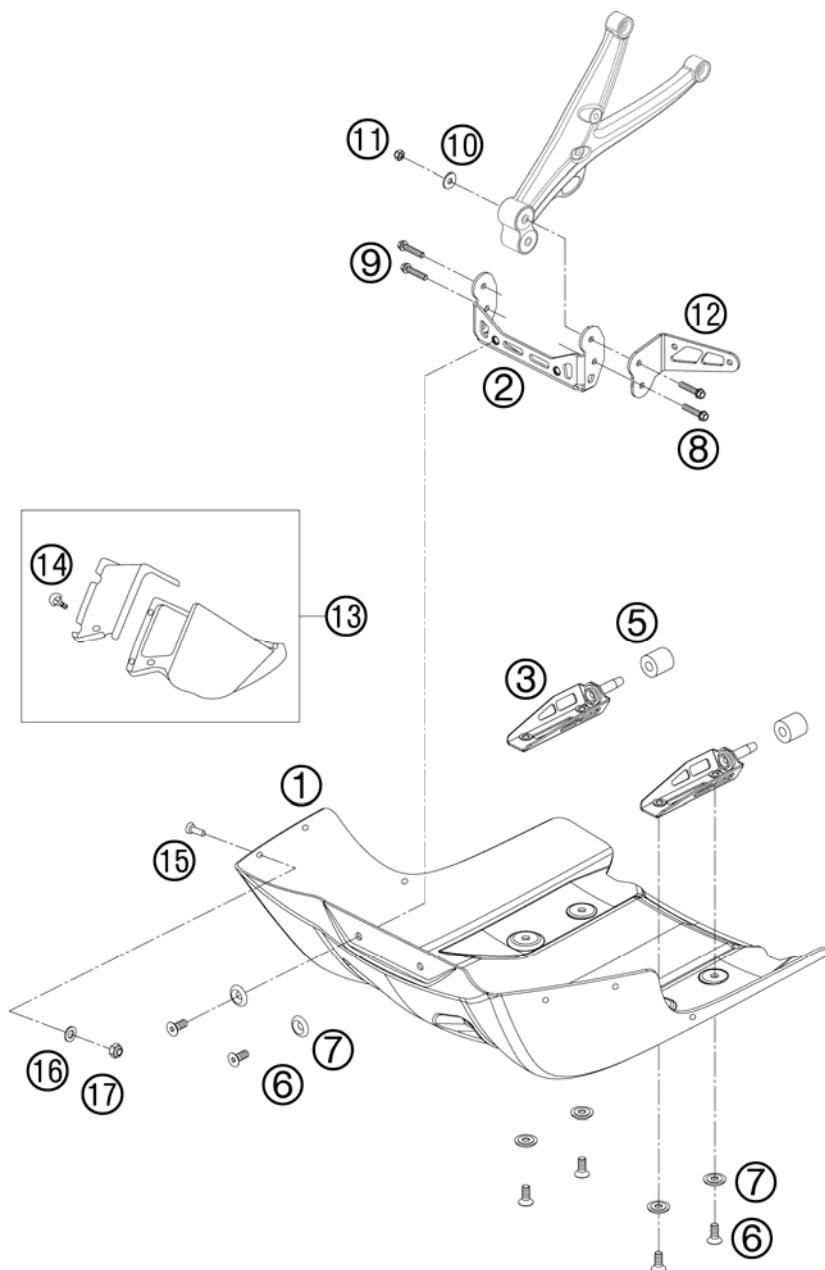


FIG	PART NUMBER	DESCRIPTION	QTY
1	76212099040	ENGINE GUARD	1
2	76212099024	ENGINE GUARD BRACKET CPL.	1
3	76212099010	ENGINE GUARD BRACKET REAR CPL.	2
5	76203005031	RUBBER INSERT	2
6	54610052000	SPROCKET SCREW-AH M8X20 WS=6	6
7	58303061000	SPECIAL WASHER ALU 8 X 24 MM	6
8	0025060406	HH COLLAR SCREW M6X40 TX30	2
9	0015060353	HH COLLAR SCREW M 6X35 WS=8	2
10	0021060003	WASHER DIN9021-A 6,4	4
11	0985060003	SELF LOCK. NUT DIN0985-M 6	4
12	76203001074	FIXING PLATE VOLT. REGULATOR	1
13	76212099060	TOOL CASE R/S CPL.	1
13	76212099070	TOOL CASE L/S CPL.	1
14	69008901050	QUICK RELEASE F. RAC. COVER	2
15	58512099365	LINTIL HEAD SCREW M5X12 AH 02	3
16	0125050003	WASHER DIN0125-A 5,3	3
17	0985050003	SELF LOCKING NUT DIN0985-M 5	3

097620330 / C107620330

* NEW PART

X AS REQUIRED

SHOCK ABSORBER DISASSEMBLED

690 RALLY FACTORY REPLICA 2010

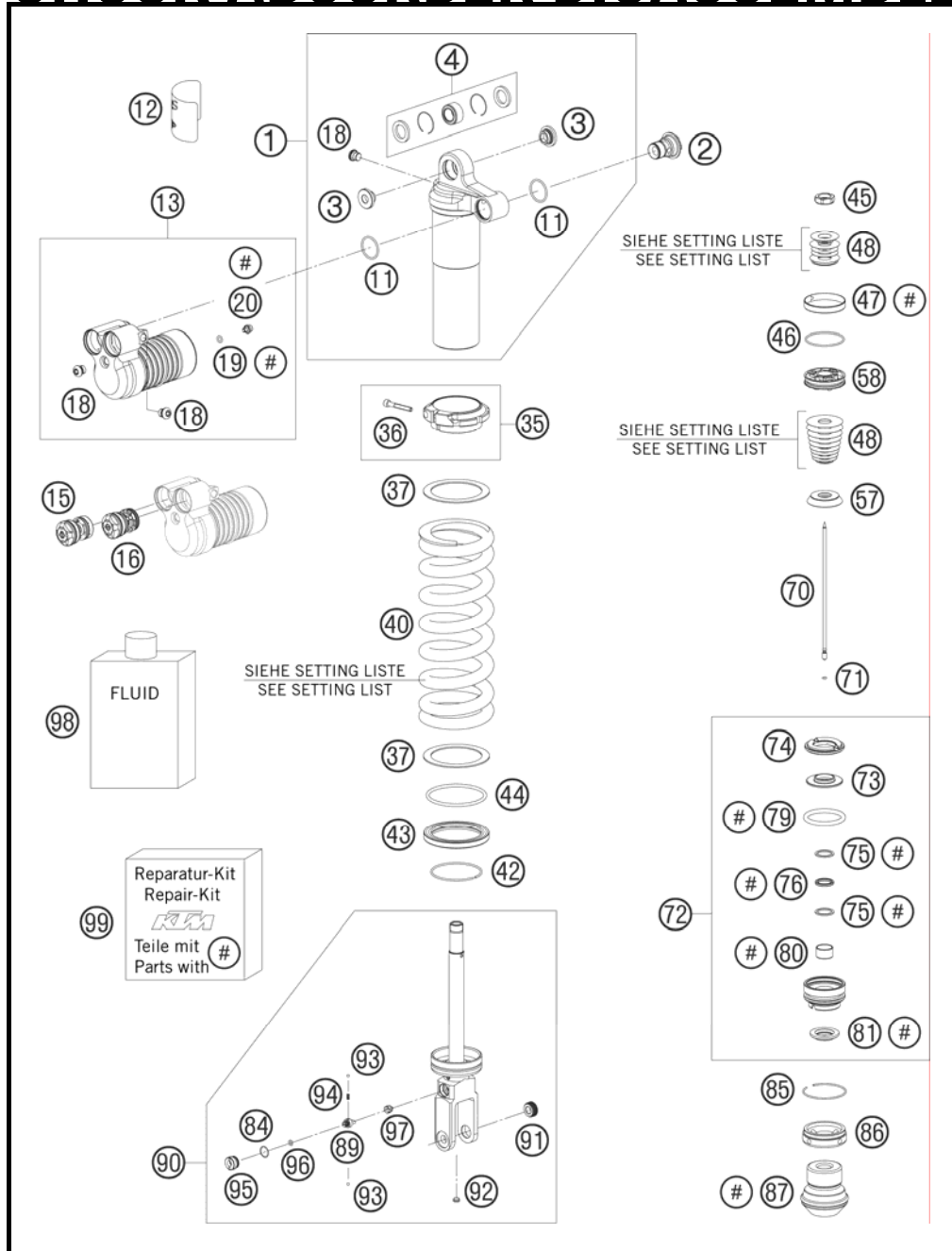


FIG	PART NUMBER	DESCRIPTION	QTY
1	50180612S1	MONOSHOCK CASE TOP	1
2	46180413	BOLT M20X1 05	1
3	46180010	BUSH KGW 10X24	2
4	R12012	REP. KIT BEAR./SEAL UP. 07	1
11	46180425	O-RING NBR 25X2	2
12	52000041	WP CAUTION (PDS KTM) 58X83	1
13	50180611S	EXPANSION TANK CPL. 07	1
15	50180590S	DCC LOW-SPEED SXS CONTROL	1
16	50180586S2	DCC HIGH-SPEED NR2 CONTROL	1
18	40140014S	PLUG ALU M10X1 CPL.	3
19	46810893	O-RING NBR 5,28X1,78	1
20	36120151	SCREW PLUG M5X6	1
35	50180582S	SPRING RET. (SCREW) M56X1 ANO.	1
36	50180327	AH SCREW M5X30 DIN912	1
37	50180226	INTERMEDIATE RING 50X1,5	2
40	91210043	SPRING 62 92-250 d13 TITANLOOK	1
42	50180273	CIRCLIP 58,2X2	1
43	50180607S	SPRING RETAINER D=80	1
44	50180352	O-RING VITON 66,27X3,53	1
45	50180141	PISTON ROD NUT M16X1	1
46	50180099	O-RING VITON 44,17X1,78	1
47	50180135	PISTON RING 50-8	1
48	50180037	SHIM 16X23X0,30	x
48	50180038	SHIM 16X24X0,30	x
48	50180039	SHIM 16X25X0,30	x
48	50180040	SHIM 16X26X0,30	x
48	50180056	SHIM 16X32X0,20	x
48	50180057	SHIM 16X34X0,20	x
48	50180063	SHIM 16X28X0,25	x
48	50180067	SHIM 16X36X0,25	x
48	50180070	SHIM 16X42X0,25	x
48	50180072	SHIM 16X28X0,30	x
48	50180075	SHIM 16X34X0,30	x
48	50180076	SHIM 16X36X0,30	x
48	50180077	SHIM 16X38X0,30	x
48	50180078	SHIM 16X40X0,30	x

077620430 / C077620430

* NEW PART

X AS REQUIRED

SHOCK ABSORBER DISASSEMBLED

690 RALLY FACTORY REPLICA 2010

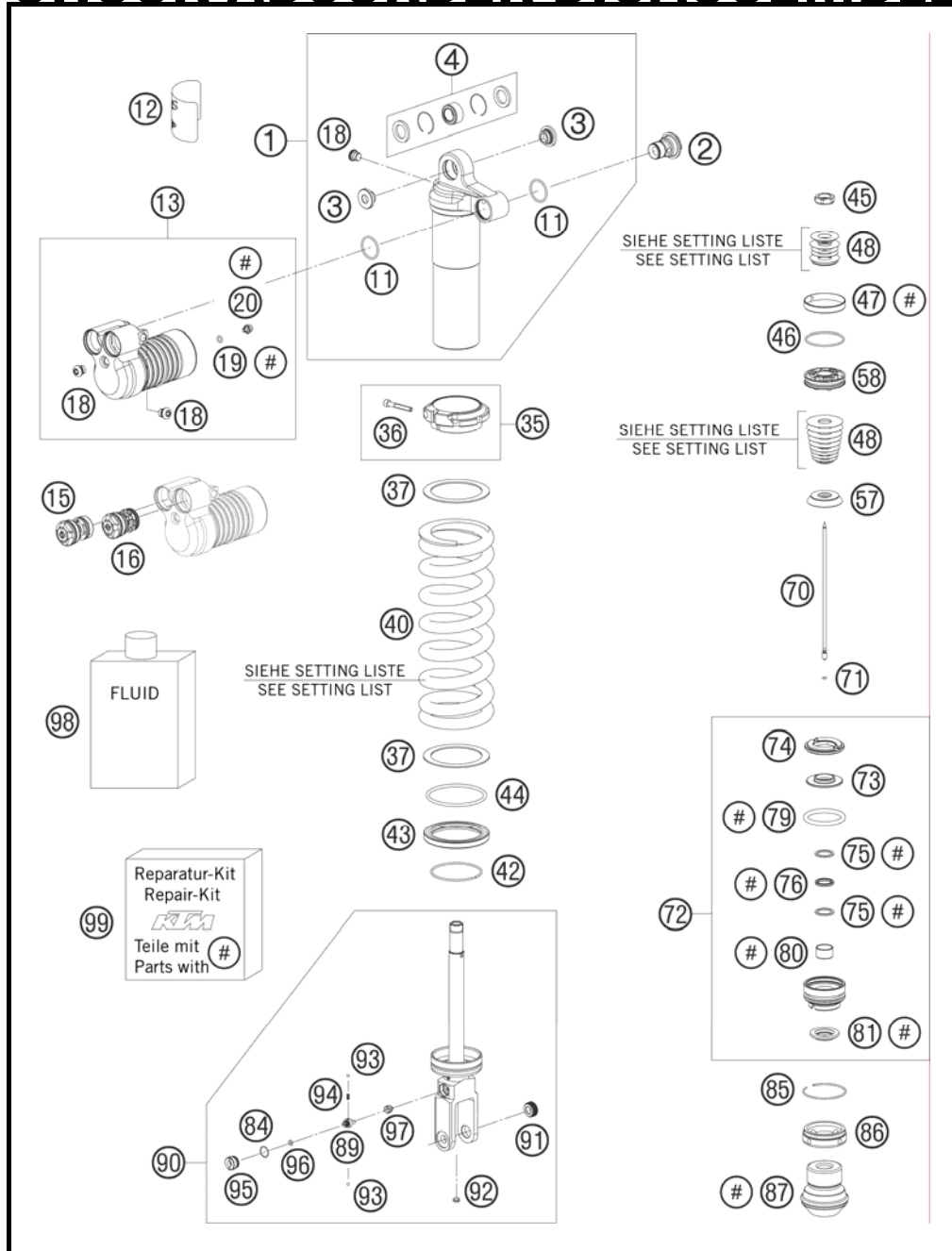


FIG	PART NUMBER	DESCRIPTION	QTY
48	50180073	SHIM 16X30X0,30	x
48	50180074	SHIM 16X32X0,30	x
57	50180421	REBOUND DISK D=43/34 H=5	1
58	50180197	PISTON 6+6X7/4,5	1
70	50180513	NEEDLE L=171	1
71	46811265	O-RING VITON 2,2X1,6	1
72	50180435S1	ADAPTOR D50 H29 CPL.	1
73	50180113	STEEL DISC 18X,5X43,7X6	1
74	50180107	REBOUND RUBBER	1
75	50180102	BACKUPRING 22,55X1,5	2
76	50180593	SEAL RING QUAD 17.12X2.62 80SH	1
79	50180103	O-RING 41X5	1
80	46180119	DU-BUSH 18X20X12	1
81	50180082	DUST SEAL 1835	1
84	46180013	O-RING NBR 12X1	1
85	50180126	CIRCLIP 53X1,75	1
86	50180580	RESERVOIR CAP D=50 SXS 07	1
87	50180480	BUMP RUBBER D58 D17 H59 SXS 05	1
89	46180006	ADJUSTING SCREW L=15,5	1
90	50180503S1	FORK PART W/ SPINDLE CPL. 07	1
91	50180462	THR. BUSH M10X1,5 B=1,5 H=7,5	1
92	50180297	RUBBER PLUG D=8	1
93	40540603	STEEL BALL D=3MM	2
94	48600028	SPRING D=2,9 L=7,9	1
95	46180005	RESERVOIR CAP M16X1	1
96	50180222	O-RING NBR 4X1,5	1
97	46180016	ADJUSTING ADAPTOR REBOUND	1
98	50180342S1	SHOCK ABSORBER FLUID 5 LT '03	1
99	R12016	REPAIR KIT SXS + 690 RALLY 07	1

077620430 / C077620430

* NEW PART

X AS REQUIRED

PRO LEVER LINKING

690 RALLY FACTORY REPLICA 2010

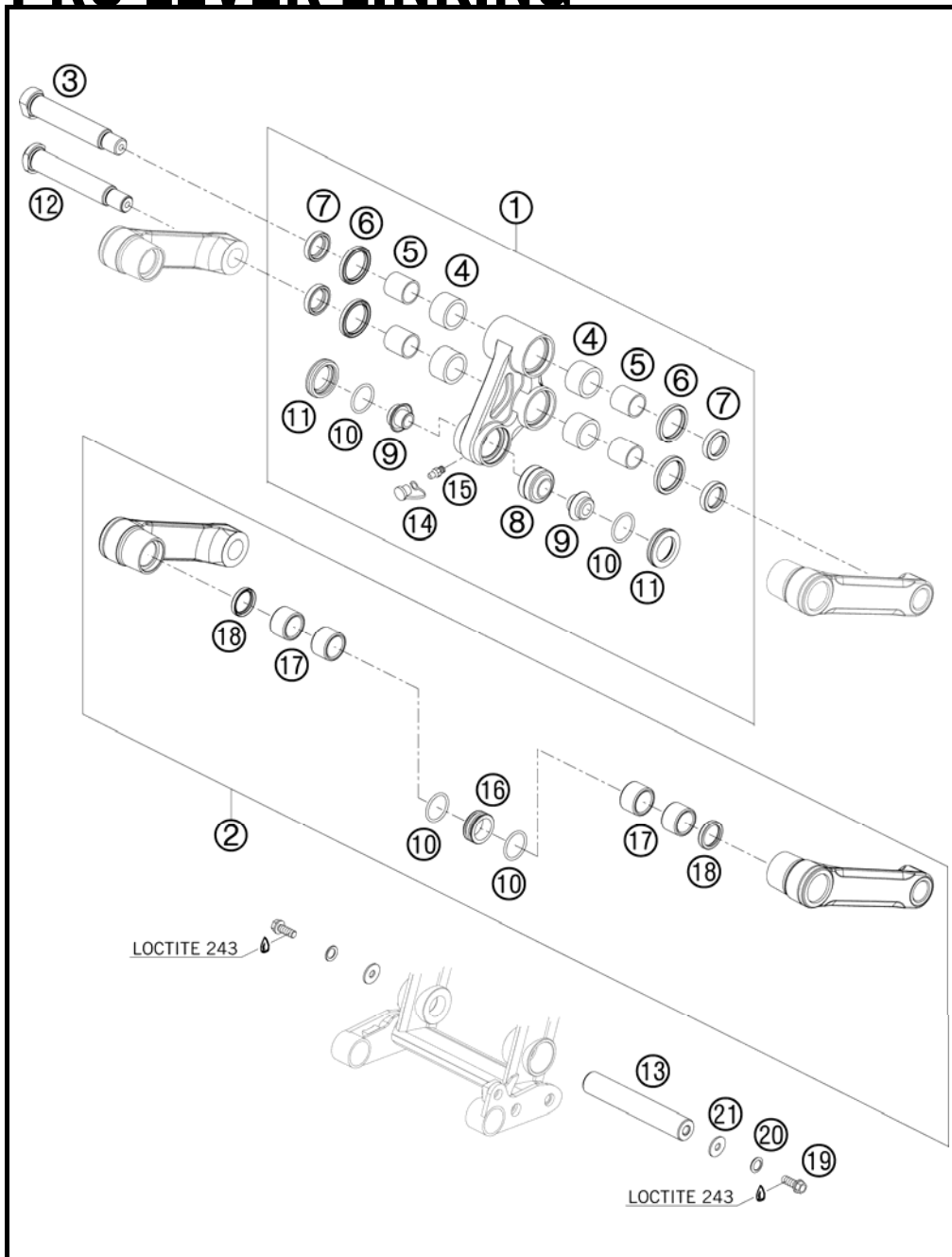


FIG	PART NUMBER	DESCRIPTION	QTY
1	76203032044	TRIANGLE LEVER CPL.	1
2	76203083044	PULL ROD CPL.	1
3	76203032010	BOLT FOR CANTILEVER	07
4	54603097000	NEEDLE BUSH HK 2016	4
5	76203083060	INNER RING INA 17/20/20	07
6	0760253240	SHAFT SEAL RING 25X32X4	4
7	76203090000	BUCKET FOR SHAFT SEAL RING	07
8	76203083050	SPHERICAL BEARING INA GE14BW	1
9	76203085000	COLLAR BUSHING	07
10	0770021020	O-RING 21,00X2,00 NBR70	4
11	76203032020	SUPPORT FOR SEAL RING	2
12	76203032015	BOLT FOR CANTILEVER PULL ROD	1
13	76203083010	PULL ROD ANCHOR BOLT	1
14	53003099000	CAP WITH LOOP RED	1
15	72003035000	GREASE FITTING M6 STRAIGHT	1
16	76203083005	SPACER RING	1
17	56503195100	NEEDLE BEARING HK 1816	4
18	0760182442	SHAFT SEAL RING 18X24X4	2
19	0025080166	HH COLLAR SCREW M8X16 TX40	2
20	36003014000	LOCK WASHER 8MM	2
21	0021080003	WASHER DIN9021-A 8,4	2

077620460 / C097620460

* NEW PART

X AS REQUIRED

SHOCK ABSORBER

690 RALLY FACTORY REPLICA 2010

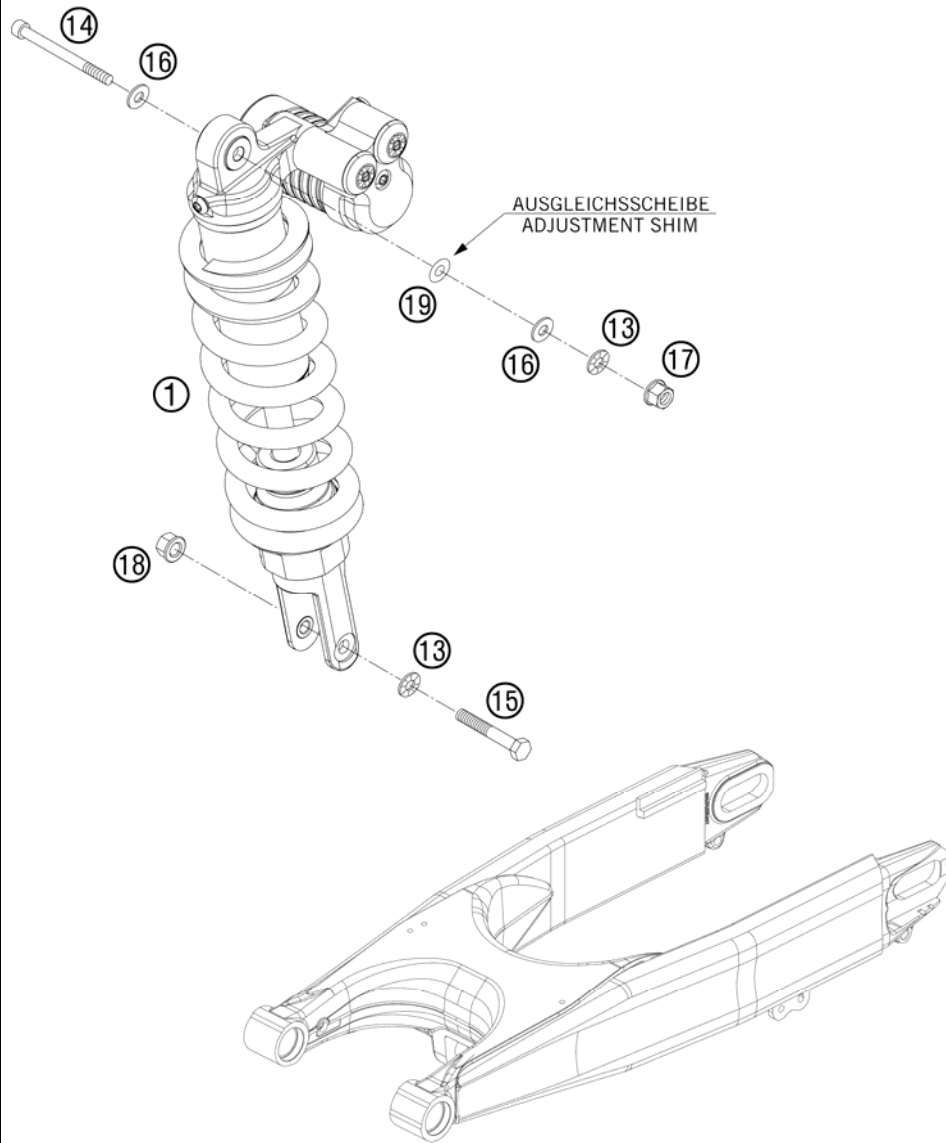


FIG	PART NUMBER	DESCRIPTION	QTY
1	12187E17	MONOSHOCK 690 RALLY 09	1
13	50233041100	PAIR OF WASHERS M10 NORDLOCK	2
14	0912101303	ALLEN SCREW DIN0912-M10X130	1
15	56503093000	SPECIAL SCREW M10X55 WS=17	1
16	0125100003	WASHER DIN0125-A10,5	2
17	54630044000	COLLAR NUT M10 WS=13	1
18	76230044000	COLLAR NUT M10 TURNED	1
19	76203030000	SHIM 10X24X1	x

077620410 / C107620410

* NEW PART

X AS REQUIRED

SWING ARM

690 RALLY FACTORY REPLICA 2010

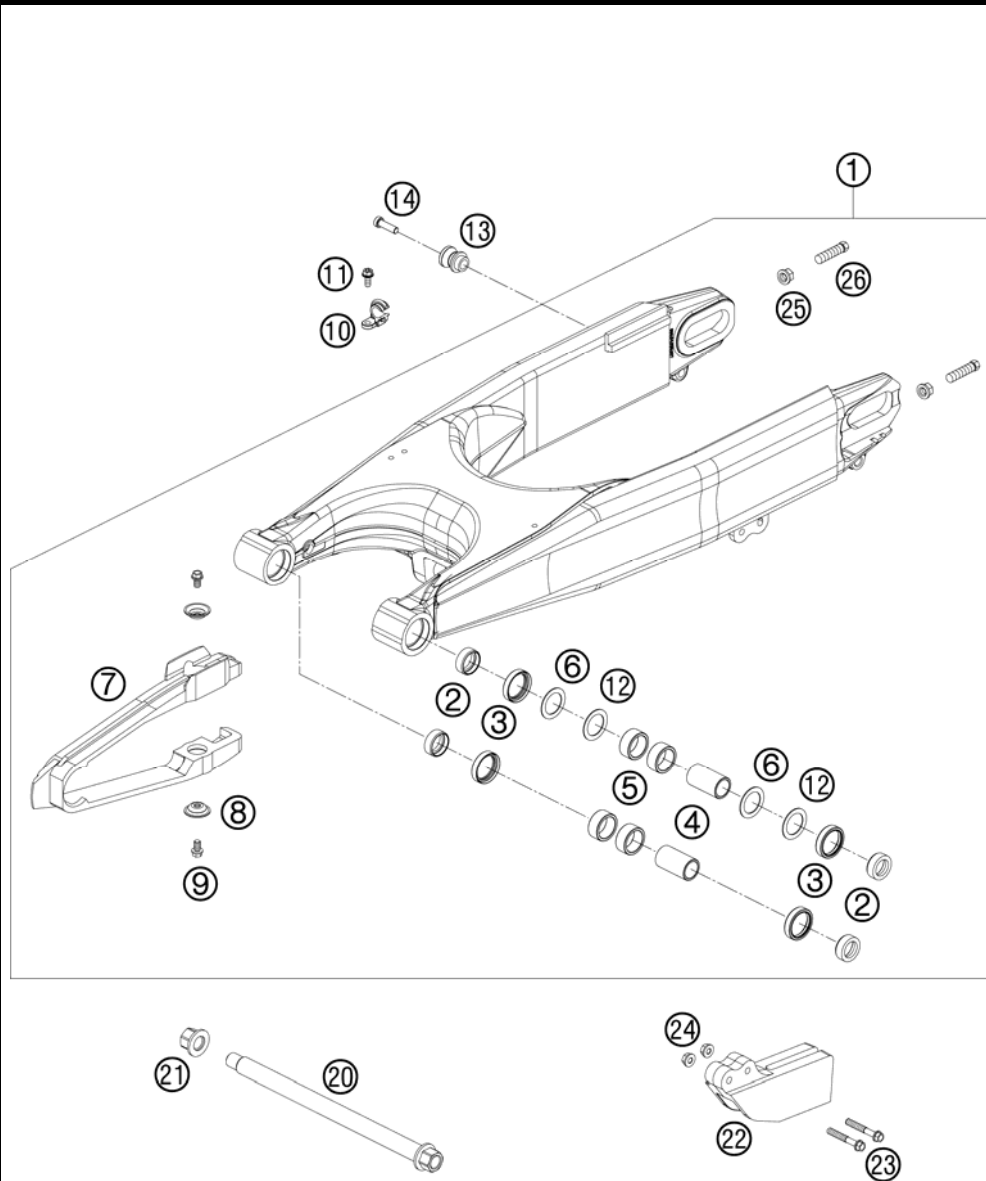


FIG	PART NUMBER	DESCRIPTION	QTY
1	76204030044	SWINGARM RALLY CPL. 07	1
2	76204034000	SPACER F. SHAFT SEALRING 07	4
3	0760253270	SHAFT SEAL RING 25X32X7	4
4	59404032000	BEARING SLEEVE 17X22X38,7 03	2
5	59004031200	NEEDLE BUSH HK2212V	4
6	54603036000	STOP DISK 22,2X31,7X1	2
7	50304066100	CHAIN GUARD 05	1
8	72210079000	BUCKET	2
9	0025060106	HH COLLAR SCREW M6X10 TX30	2
10	54611076100	RETAIN.CLAMP FOR BRAKE HOSE'96	1
11	0010050103	SPECIAL SCREW M 5,0X10	1
12	76203037000	STOP DISK 22,2X31,7X0,5	2
13	R0610089000	SUPPORT F. LIFTING DEVICE	2
14	0912100356	AH SCREW DIN6912-M10X35 10.9	2
20	76204037044	SWINGARM BOLT CPL. 07	1
21	54603015000	SELF LOCKING NUT M14X1,5 WS=19	1
22	54607066100	CHAIN GUIDE REAR '94	1
23	0025060406	HH COLLAR SCREW M6X40 TX30	2
24	56509064100	SELF LOCKING NUT M6 10.9	2
25	58414030000	HH COLLAR NUT M10X1,25 WS=13	2
26	50304040100	SCREW M10X1,25X50 WS=10	2

077620490 / C107620490

* NEW PART

X AS REQUIRED

EXHAUST SYSTEM

690 RALLY FACTORY REPLICA 2010

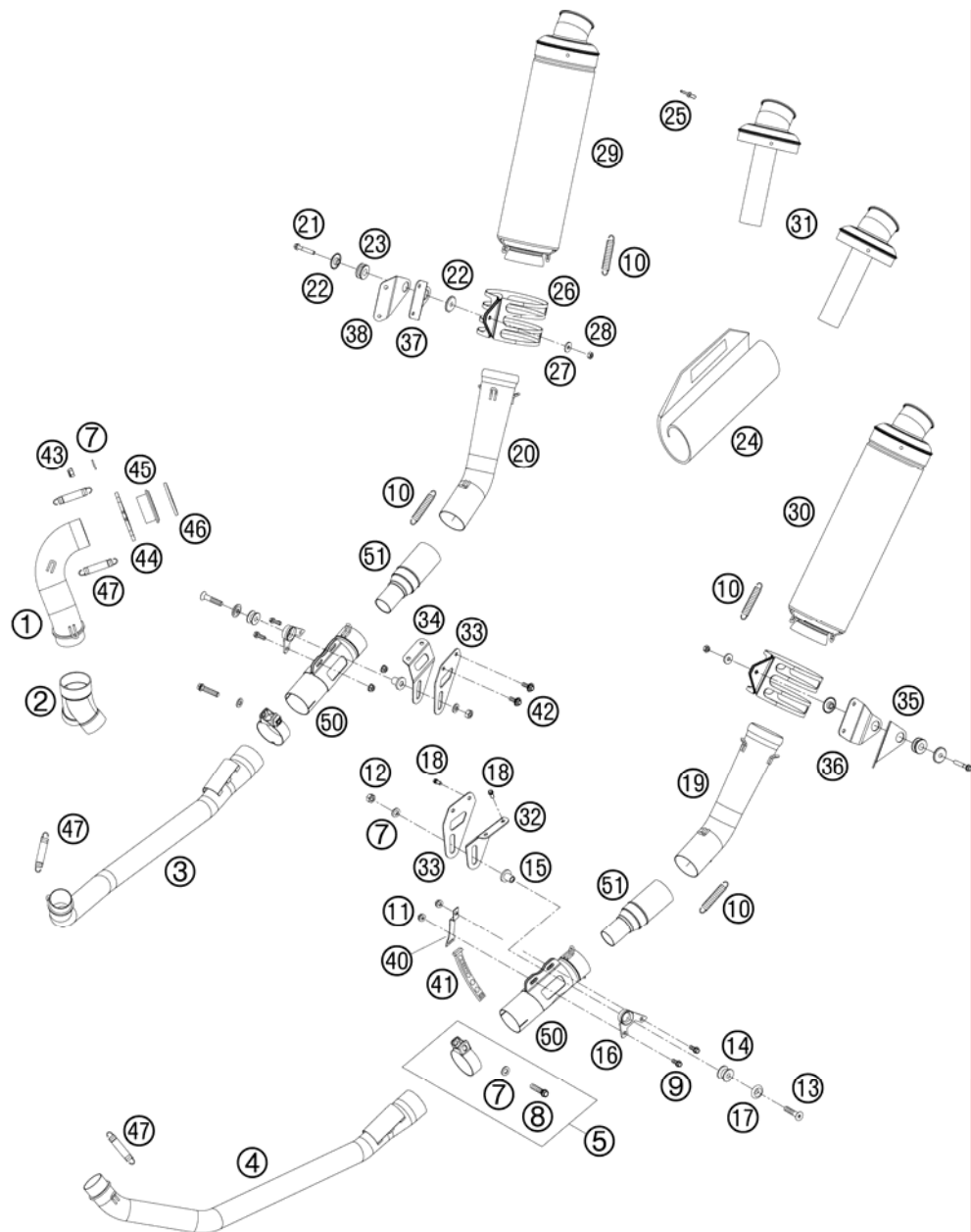


FIG	PART NUMBER	DESCRIPTION	QTY
1	76205007000	CONNECTING MANIFOLD CPL. 07	1
2	76205012010	Y-PIPE	1
3	76205009000	EXHAUST MANIFOLD 1 LE. CPL. 07	1
4	76205008000	EXHAUST MANIFOLD 1 RI. CPL 07	1
5	58505058000	EXHAUST CLAMP RALLYE 02	2
7	0125080003	WASHER DIN0125-A 8,4	6
8	0025080356	HH COLLAR SCREW M8X35 TX40	2
9	0025060166	HH COLLAR SCREW M6X16 TX30	4
10	50305016000	TEN.SPRING L=62MM EY.MOVEABLE	14
11	56509064100	SELF LOCKING NUT M6 10.9	4
12	0934080003	HEXAGON NUT DIN0934-M 8	2
13	0991080403	FLAT HEAD SCREW DIN7991-M 8X40	2
14	54305068100	DAMP. COMPONENT SILICONE GREY	2
15	76205053000	SLEEVE EX. PIPE-BOT. FIX. STR.	2
16	5850506700090	EXHAUST SUPP. CENTER RALLY 02	2
17	58303061100	SPECIAL WASHER ALU 8X24 MM ELO	2
18	0025050106	COLLAR SCREW M5X12 ISA30	16
19	76205013000	EXHAUST TAIL PIPE CPL.	1
20	76205014000	EXHAUST TAIL PIPE CPL.	1
21	0025060356	HH COLLAR SCREW M6X35 TX30	2
22	54605069000	BUSHING 7,5X12X28X7,8 '96	4
23	54605068000	EXHAUST BRACKET RUBBER BLACK	2
24	77005078495	STUFFING YARN 495 GRAM	2
25	0011501201	DUMMY RIVET 5,0X12 STEEL	6
26	58505161200	CLAMP FOR SILENCER 03	2
27	50232050000	WASHER 6,2X18X2	2
28	0934060003	HEXAGON NUT DIN0934-M 6	2
29	76205371000	SILENCER R/S THROTTLED	1
30	76205271000	SILENCER L/S THROTTLED	1
31	76205071150	END CAP CPL. W. INNER TUBE 09	2
32	76205052006	EXHAUST FIXING PLATE REAR 3 07	1
33	76205052007	EXHAUST FIXING PLATE REAR 4 07	2
34	76205052008	EXHAUST FIXING PLATE REAR 5 07	1
35	76205052005	EXHAUST FIXING PLATE REAR 2 07	1
36	76205052004	EXHAUST FIXING PLATE REAR 1 07	1
37	76205052010	EXHAUST FIXING PLATE REAR 7 07	1

097620510 / C107620510

* NEW PART

X AS REQUIRED

EXHAUST SYSTEM

690 RALLY FACTORY REPLIC 2010

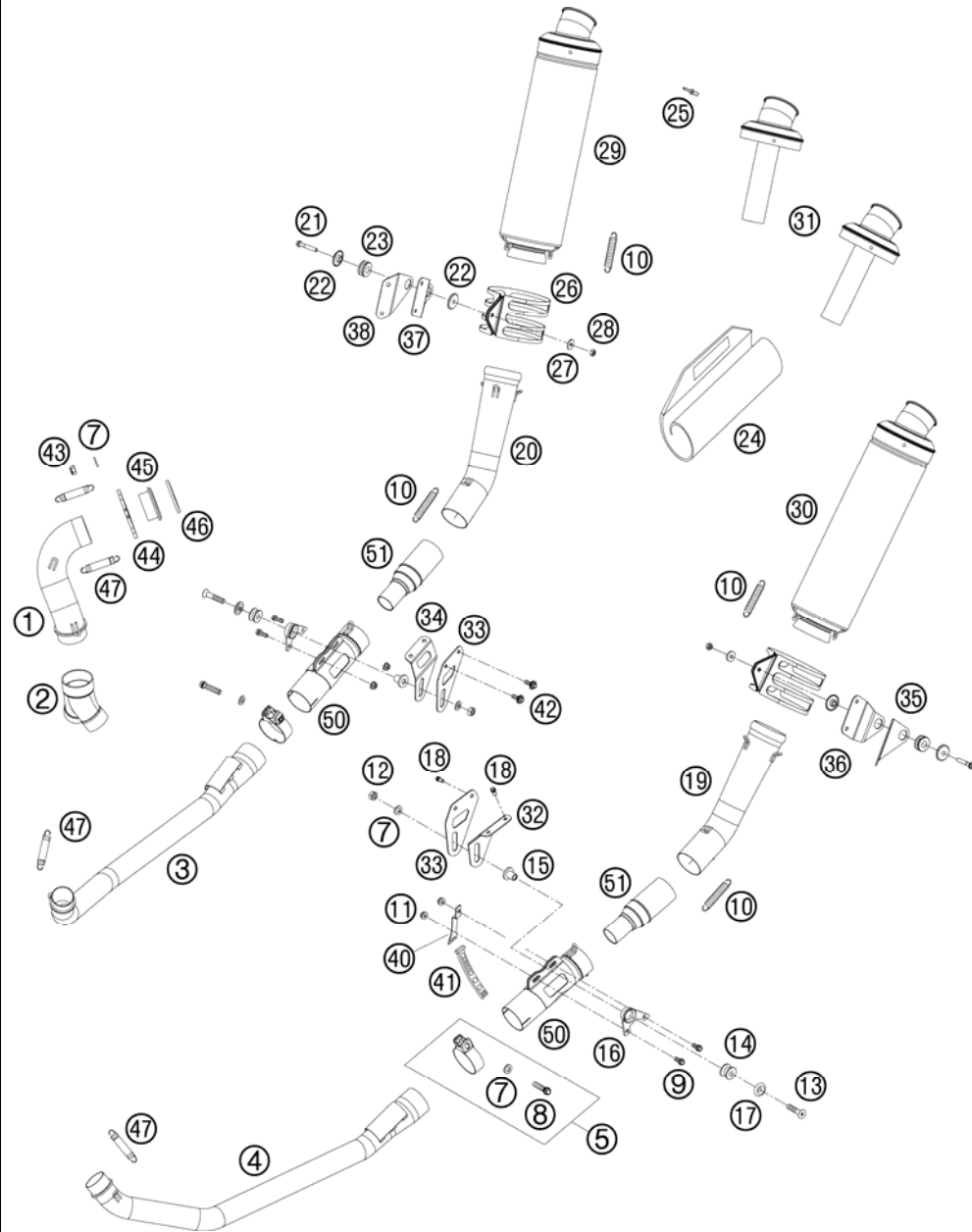


FIG	PART NUMBER	DESCRIPTION	QTY
38	76205052009	EXHAUST FIXING PLATE REAR 6 07	1
40	76203023070	SIDE STAND RUBBER-RET. PLATE	1
41	54611186000	RUBBER BAND	1
42	0024060106	HH COLLAR SCREW M6X10 TX30	16
43	51010086100	SELF LOCKING NUT M 8 CU	2
44	76205007052	UNION FLANGE	1
45	76205007051	EXHAUST FLANGE	1
46	61005005000	EXHAUST GASKET 05	1
47	57305016000	EXHAUST-SPRING WITH RUBBER 02	4
50	76205015000	CAT SUPPORT CPL.	2
51	77005009033	CATALYST WELDED EXC 08	2

097620510 / C107620510

* NEW PART

X AS REQUIRED

AIR FILTER

690 RALLY FACTORY REPLICA 2010

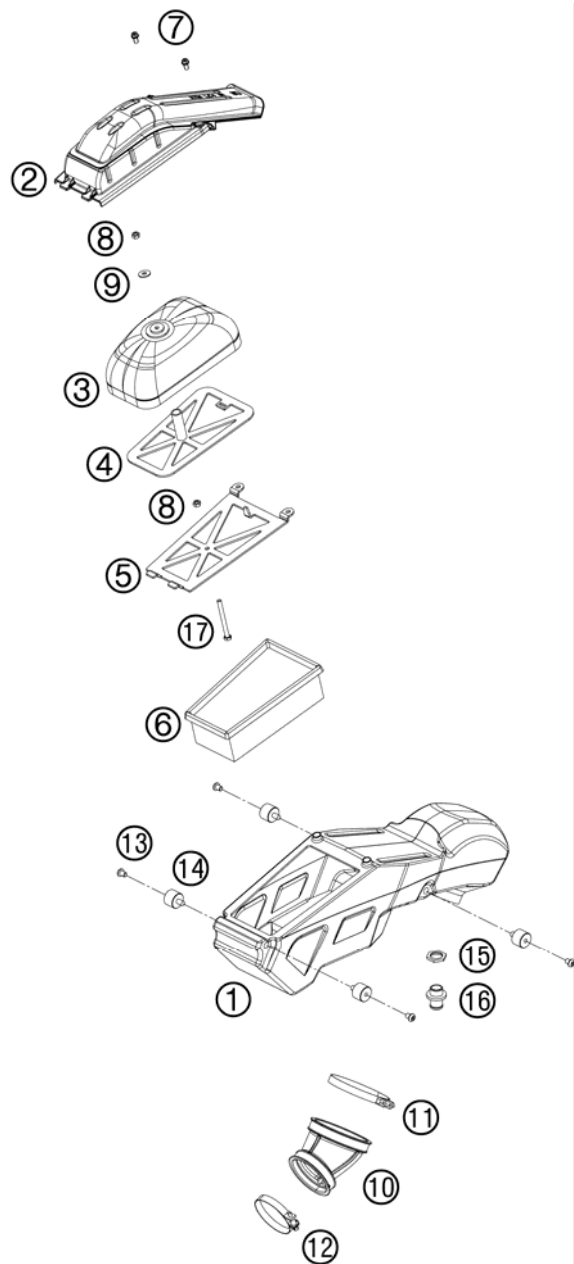


FIG	PART NUMBER	DESCRIPTION	QTY
1	76206104000	AIR FILTER BOX	1
2	76506002000	FILTER BOX-TOP PART	08
3	76206115000	AIR FILTER TWIN AIR	09
4	76206101050	FILTER CARRIER CPL.	1
5	76206101051	AIR BOX BRACKET	1
6	76506015000	AIRFILTER PAPER 200X120	1
7	0025060126	HH COLLAR SCREW M6X12 TX30	2
8	0985060003	SELF LOCK. NUT DIN0985-M 6	2
9	0021060003	WASHER DIN9021-A 6,4	1
10	76206040000	INTAKE TUBE	07
11	55006028000	HOSE CLAMP 60-80MM	1
12	78006027000	HOSE CLAMP 45-65MM	1
13	0902060083	AH OVAL SCREW ISO 7380 M 6X8	4
14	76206012000	RUBBER GROMMET 20X15-M6X15-M6	4
15	60512063050	NUT F.TANK BRAKET REAR	1
16	76206050000	ALU FLANGE	1
17	0933060703	HH SCREW DIN933 M6x70	1

097620610 / C107620610

* NEW PART

X AS REQUIRED

TANK, SEAT

690 RALLY FACTORY REPLICA 2010

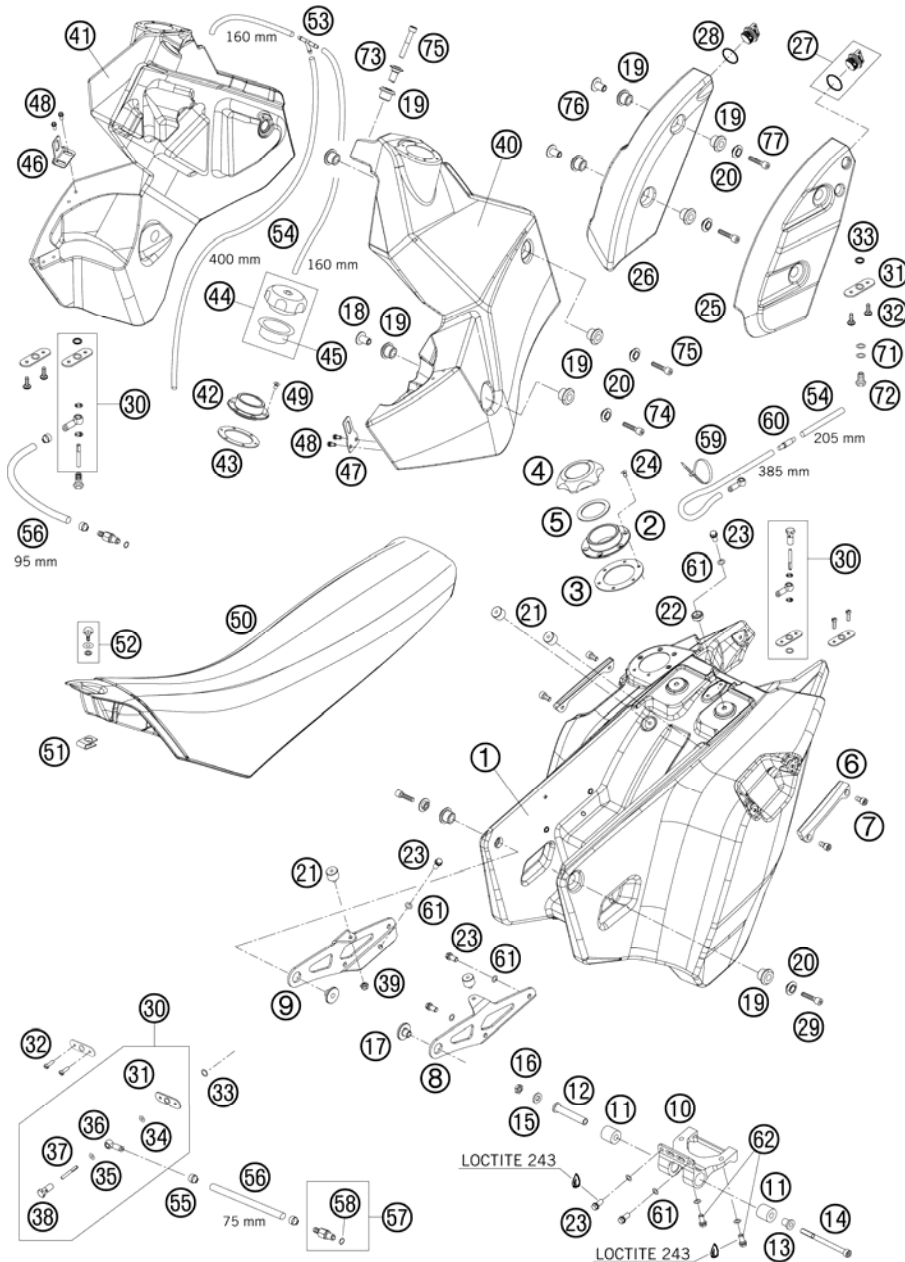


FIG	PART NUMBER	DESCRIPTION	QTY
1	7620709600004	REARTANK 5 KG VARNISHED	1
2	76207096019	REAR FUEL TANK FILLER 07	1
3	76207096028	VITON GASKET FOR REAR TANK 07	1
4	76207096026	FILLER CAP REAR TANK 07	1
5	76207096027	VITON GASKET FOR REAR TANK 07	1
6	76207096020	GRAB HANDLE 07	2
7	0912060123	AH SCREW DIN0912-M 6X12	4
8	76207096017	STIFF JOINT L/S 07	1
9	76207096018	STIFF JOINT R/S 07	1
10	76207096024	REAR TANK FITTING CONSOLE 07	1
11	76207096034	REAR TANK FITTING RUBBER	2
12	76207096021	FITTING BUSH1 FUEL TANK	1
13	76207096035	FITTING BUSH2 FUEL TANK	1
14	0912081103	AH SCREW DIN912 M8x110	1
15	36003014000	LOCK WASHER 8MM	1
16	0985080003	SELF LOCKING NUT DIN0985-M 8	1
17	76207096030	REAR TANK ANCHOR BOLT 07	2
18	58512063000	BUSHING SLEEVE IN.34MM 2001	2
19	56401040000	RUBBER BUSHING	20
20	58512062000	BUSHING SLEEVE OUT 2001	10
21	43205062100	RUBBER GROMMET 20X15-M6X10 (1)	4
22	76207096029	SEAT FITTING ON REAR TANK 07	2
23	0025080166	HH COLLAR SCREW M8X16 TX40	12
24	0965050123	FLAT HEAD SCREW DIN965 M5x12	6
25	76212099052	WATER TANK L/S CPL. 07	1
26	76212099053	WATER TANK R/S CPL. 07	1
27	58030020100	PLUG CPL. M24X3	2
28	0770191015	O-RING 19,00X3,00 NBR	2
29	0912080503	AH SCREW DIN912 M8X50	2
30	58507008000	FUEL CONNECTION CPL. 01	3
31	58507008050	FUEL FLANGE SHEET 01	4
32	0991050102	FLAT H.SCEW DIN7991-M5X10 10.9	10
33	0770120020	O-RING 12,00X2,00 NBR 70	4
34	0603101420	COPPER GASKET 10,2X14X2 MM 01	3
35	42013226000	CU-SEAL RING DIN7603-10X16X1	3
36	49138493000	RING COMPONENT 10/6MM	3

077620710 / C097620710

* NEW PART

X AS REQUIRED

TANK, SEAT

690 RALLY FACTORY REPLICA 2010

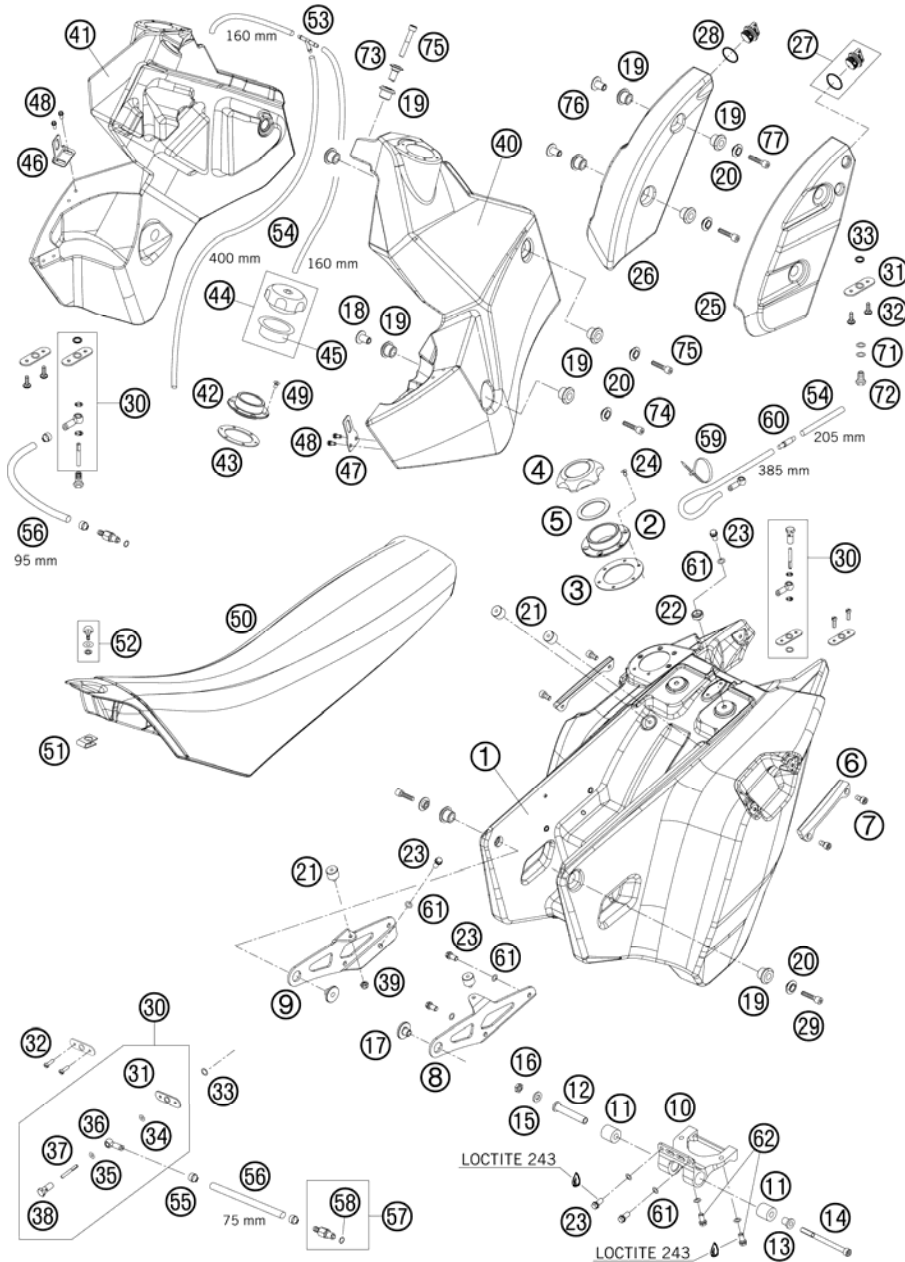


FIG	PART NUMBER	DESCRIPTION	QTY
37	58507008010	FUEL FLANGE-STRAINER 03	3
38	58507025000	HOLLOW SCREW M10X1X24 RALLY 02	3
39	0985060003	SELF LOCK. NUT DIN0985-M 6	2
40	76207013000	FUEL TANK FRONT L/S CPL. 07	1
41	76207113000	FUEL TANK FRONT R/S CPL. 07	1
42	76207013007	FRONT FUEL TANK FILLER 07	2
43	76207013006	VITON SEAL FOR FRONT TANK 07	2
44	49007008044	FILLER CAP CPL. SMALL	2
45	59007009000	GASKET FOR FILLER CAP HIGH	2
46	76207013003	BRACKET FOR FRONT MASK	2
47	76207013005	FIXING PLATE FOR FRONT MASK	2
48	0933060103	HH SCREW DIN0933-M 6X10	8
49	0965040123	FLAT HEAD SCREW DIN0965-M 4X12	12
50	76207040000	SEAT RALLY 06	1
51	58307040552	CLIP	1
52	58307040551	QUICK RELEASE CPL. '96	1
53	58007015000	T-CONNECTOR FOR FUEL LINE	1
54	58507007001	HOSE 8X5MM RALLYE 03	x
55	58007117200	OETIKER HOSE CLAMP 13,3MM	4
56	58507116100	HOSE OG.ECO 1TBSE 7X13MM	x
57	58507010300	PLUG F. FUEL HOSE CPC 2003	2
58	58507012000	O-RING VITON F. PLUG CPC 05	2
59	44011076100	CABLE TIE 100/2,5MM BLACK	x
60	57307019000	VALVE FOR TANK BREATHING 02	1
61	36003014000	LOCK WASHER 8MM	12
62	0025080206	HH COLLAR SCREW M8X20 TX40	2
71	58038022900	CU-SEAL RING 10 X 14 X 1,5	4
72	54630021000	HH PLUG M10X1 WS13	2
73	60007060000	BEARING BUSHING OUTSIDE 03	2
74	0912080553	AH SCREW DIN912 M8X55	2
75	0912080403	AH SCREW DIN912 M8X40	4
76	58512068000	BUSHING SLEEVE IN. 30,5MM 2001	4
77	0912080403	AH SCREW DIN912 M8X40	4

077620710 / C097620710

* NEW PART

X AS REQUIRED

FUEL PUMP

690 RALLY FACTORY REPLICA 2010

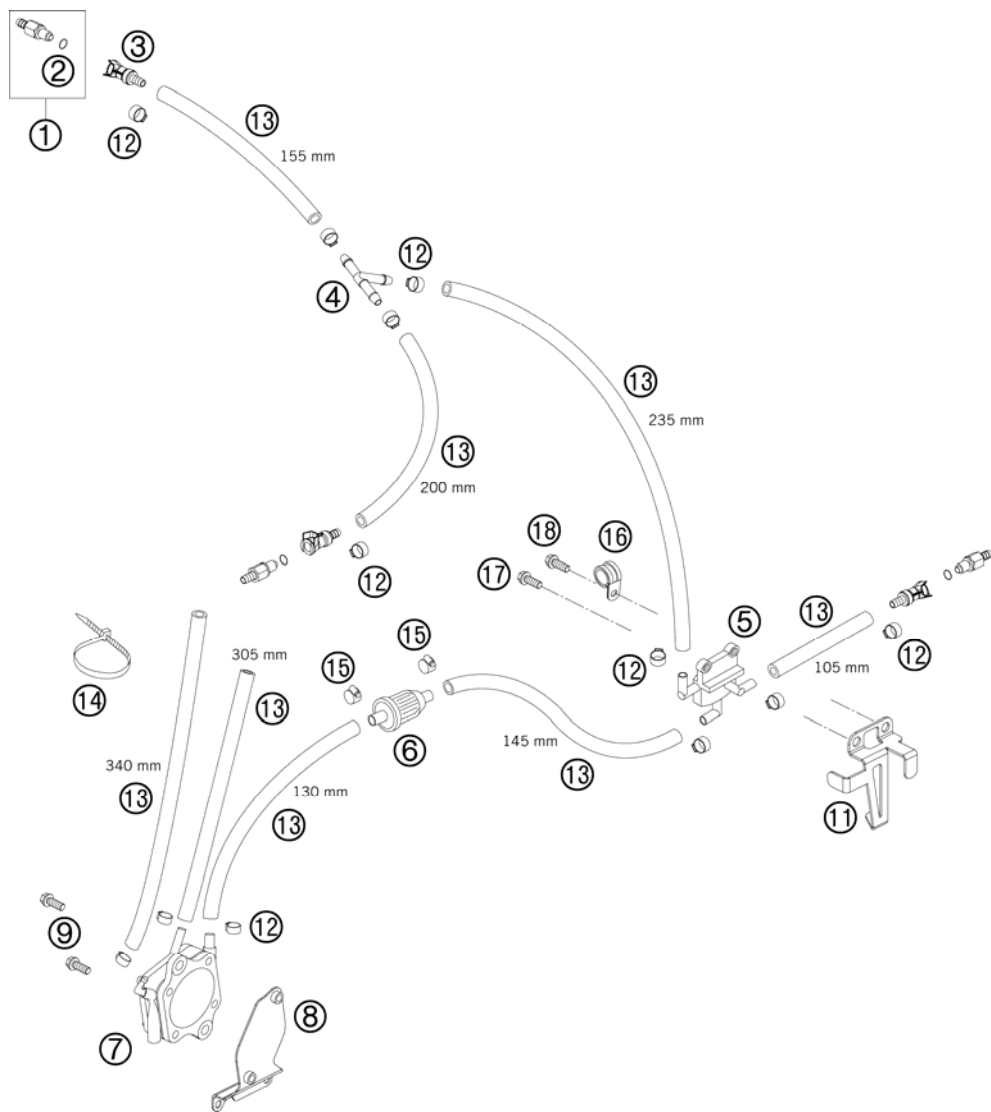


FIG	PART NUMBER	DESCRIPTION	QTY
1	58507010300	PLUG F. FUEL HOSE CPC 2003	3
2	58507012000	O-RING VITON F. PLUG CPC 05	3
3	58507010500	CLUTCH F. FUEL HOSE CPC 03	3
4	58007015000	T-CONNECTOR FOR FUEL LINE	1
5	58507003100	COLLECTOR FUEL TAP RALLYE 2001	1
6	76207099050	FUEL FILTER ELEMENT RALLY	1
7	58512087000	FUEL PUMP MIKUNI DF52-601 01	1
8	76207013011	PLATE FOR FUEL PUMP CPL.	1
9	0025060126	HH COLLAR SCREW M6X12 TX30	2
11	76207003050	LOCK PLATE COLLECTOR FUEL TAP	1
12	58007117200	OETIKER HOSE CLAMP 13,3MM	12
13	58507116100	HOSE OG.ECO 1TBSE 7X13MM	x
14	44011076200	CABLE TIE 200/3,6MM BLACK	3
15	42013037000	CLAMP MINI 1	2
16	45001070000	BRAKE CABLE CLAMP RSGU 9/12	1
17	0025060166	HH COLLAR SCREW M6X16 TX30	1
18	0025060206	HH COLLAR SCREW M6X20 TX30	1

077620730 / C107620730

* NEW PART

X AS REQUIRED

MASK, FENDERS

690 RALLY FACTORY REPLICA 2010

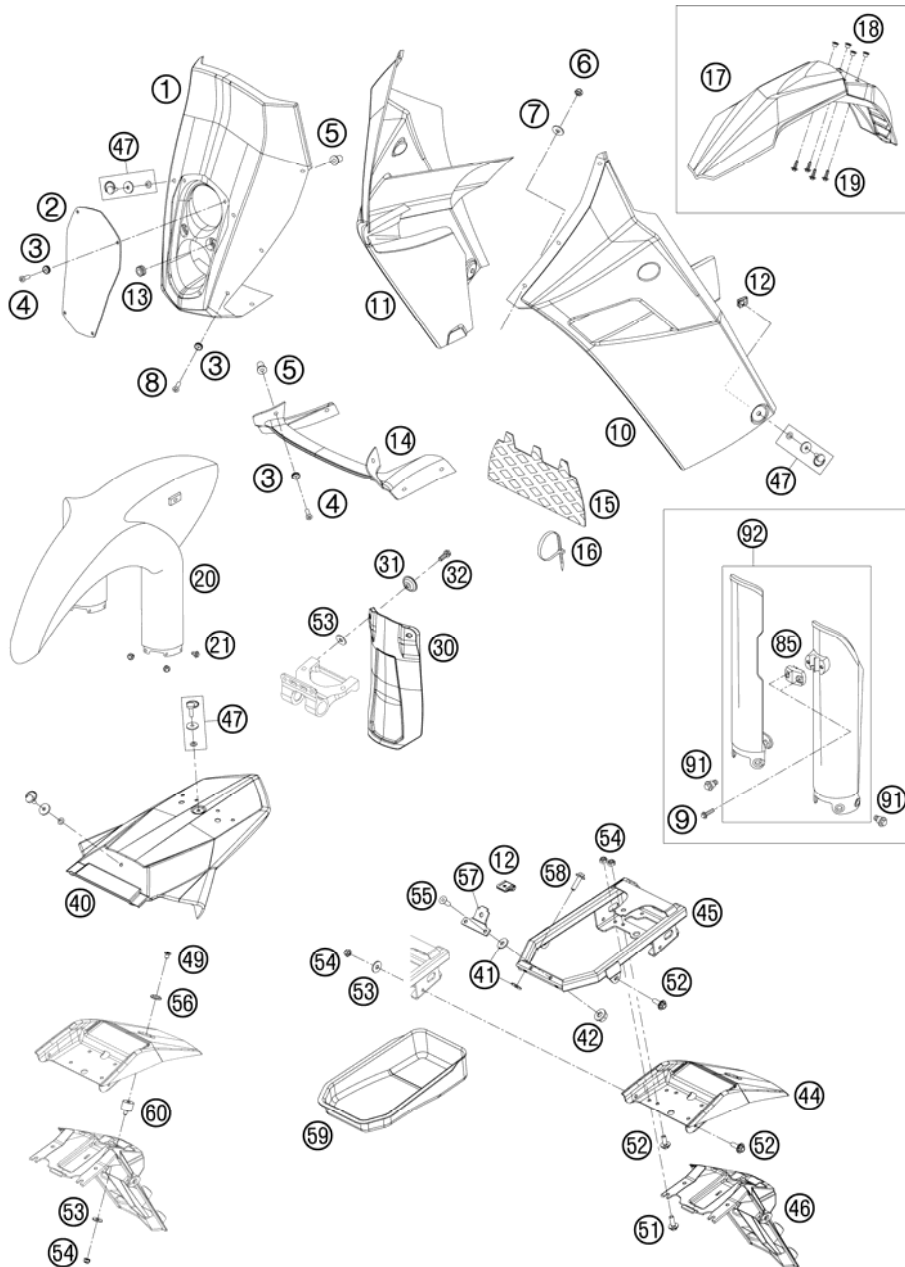


FIG	PART NUMBER	DESCRIPTION	QTY
1	76211004000	HEADLIGHT MASK 07	1
2	76214010020	HEADLIGHT PANE FRONT MASK	1
3	60008046000	SPECIAL WASHER D=12MM 03	18
4	0966050208	O.H.SCREW DIN0966-M 5X20 BLACK	4
5	60008008050	BLIND PLUG-IN NUT M5 WN 16A 03	10
6	0985050003	SELF LOCKING NUT DIN0985-M 5	8
7	0021050003	WASHER DIN9021-A 5,3	8
8	0966050163	OVAL HEAD SCREW DIN0966-M 5X16	6
9	0017060203	EJOT PT SCREW K60X20 WS=6	2
10	76211003000	FRONT MASK L/S 07	1
11	76211002000	FRONT MASK R/S 07	1
12	45007040052	CLIP	4
13	31008060000	RUBBER SLEEVE D=8MM OPEN	2
14	76211004020	AIR BAFFLE	1
15	76211004030	OIL RADIATOR GRID	1
16	44011076100	CABLE TIE 100/2,5MM BLACK	4
17	6300801000004	FENDER FRONT ORANGE 06	1
18	50213161000	COLLAR BUSHING	4
19	0024060206	HH COLLAR SCREW M6X20 TX30	4
20	5850801020030	FENDER FRONT BLACK	1
21	59001092050	SPECIAL SCREW M6X12,5 WS=8	6
30	76506010000	SPLASHBACK 08	1
31	72210079000	BUCKET	2
32	0025060166	HH COLLAR SCREW M6X16 TX30	2
40	76208014000	REAR FENDER 07	1
41	50232050001	STEEL WASHER 6,4X17X3	4
42	56509064100	SELF LOCKING NUT M6 10.9	2
44	76208015000	NUMBER PLATE SUPPORT 07	1
45	76203002100	REAR FRAME	1
46	58608015000	NUMBER PLATE CARRIER 05	1
47	45007040051	QUICK RELEASE CPL. 50 SXR '97	6
49	0991060103	FLAT HEAD SCREW DIN7991 M6X10	1
51	0024060136	HH COLLAR SCREW M6X13 TX30	4
52	0024060106	HH COLLAR SCREW M6X10 TX30	8
53	0021060003	WASHER DIN9021-A 6,4	5
54	0985060003	SELF LOCK. NUT DIN0985-M 6	11

097620810 / C107620810

* NEW PART

X AS REQUIRED

MASK, FENDERS

690 RALLY FACTORY REPLICA 2010

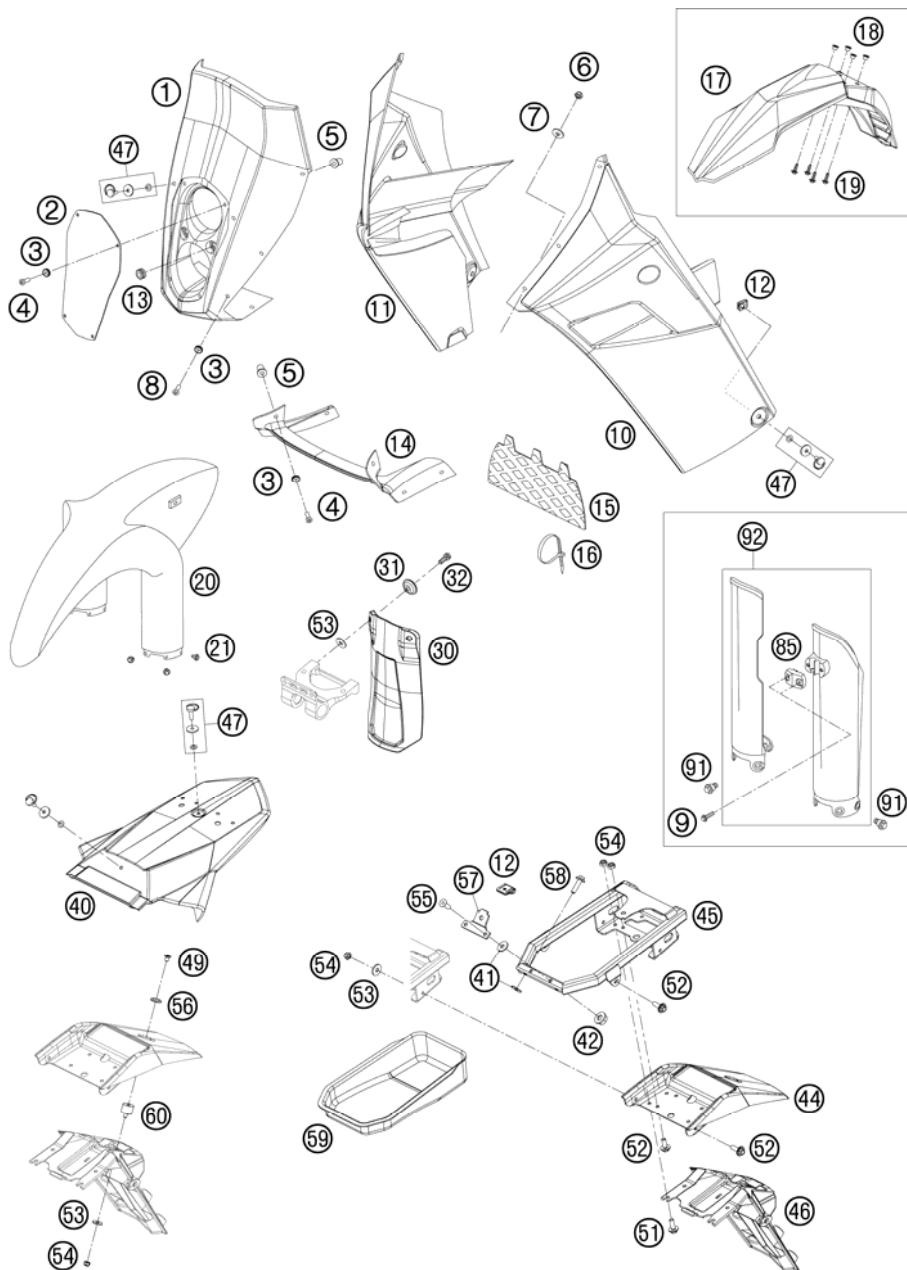


FIG	PART NUMBER	DESCRIPTION	QTY
55	0991060353	FLAT HEAD SCREW DIN7991-M 6X35	2
56	58308045000	SPECIAL WASHER 7X12,5X20 BLACK	1
57	76203002104	MOUNTING BRACKET REAR FENDER	1
58	0024060256	HH COLLAR SCREW M6X25 TX30	2
59	76208019100	REAR SHELL	1
60	43205062100	RUBBER GROMMET 20X15-M6X10 (1)	1
85	59001085100	CLAMP F.SPEED.CABLE D=6MM 2001	1
91	59001092050	SPECIAL SCREW M6X12,5 WS=8	6
92	5900109400030	FORK PROTECT. L/S+R/S BLACK 02	1

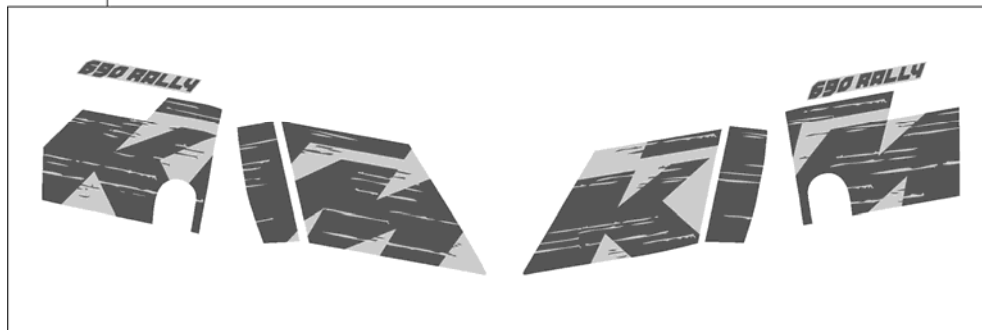
097620810 / C107620810

* NEW PART

X AS REQUIRED

FIG	PART NUMBER	DESCRIPTION	QTY
1	76208099000	DECAL SET 690 RALLY 2007	1
3	52000090	STICKER FRONT FORK-SET WP 48	1

①



③



077620830 / C107620830

* NEW PART

X AS REQUIRED

FRONT WHEEL

690 RALLY FACTORY REPLICA 2010

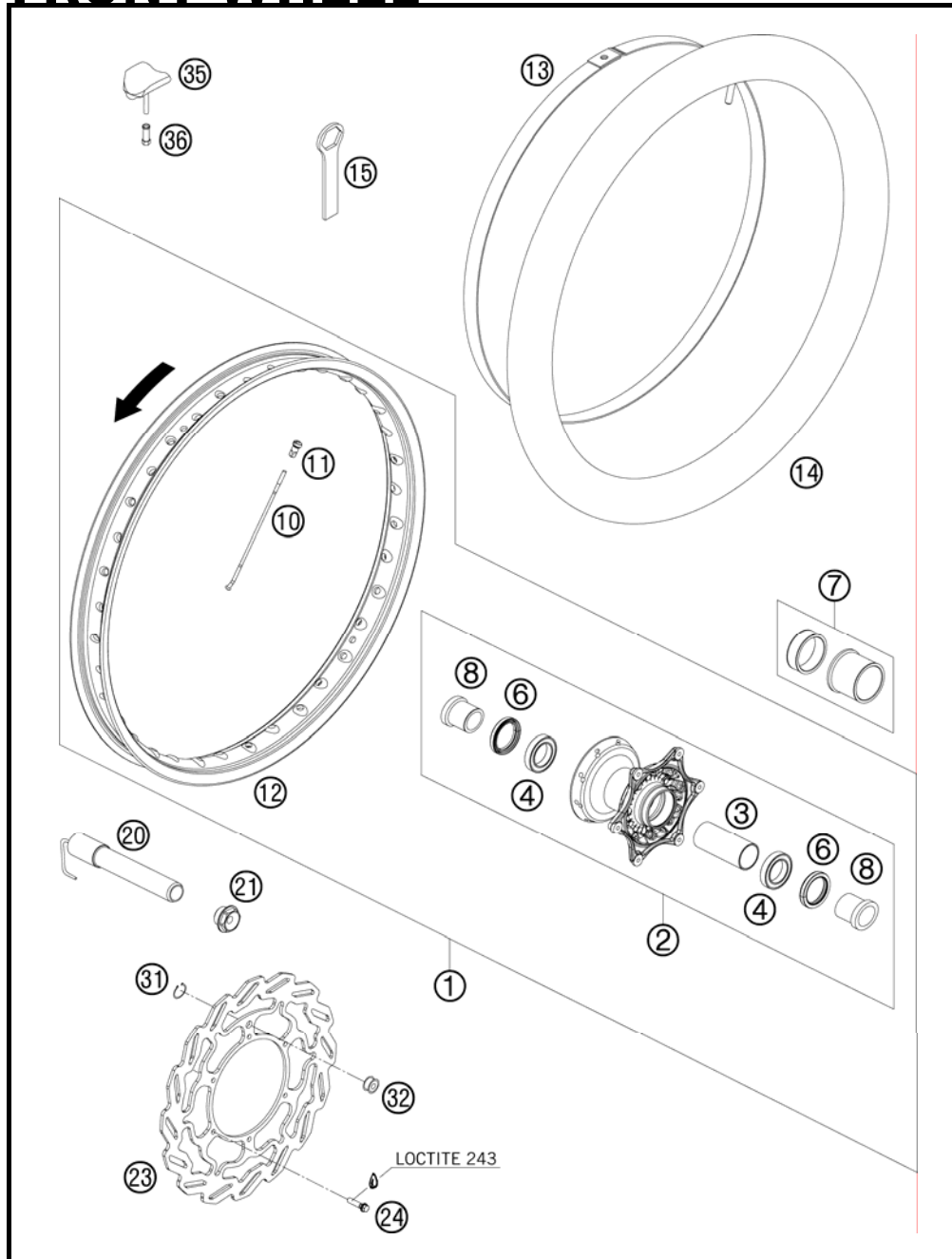


FIG	PART NUMBER	DESCRIPTION	QTY
1	7730900104430	FRONT WHEEL CPL.1,6X21EXCEL 07	1
2	78009010144	FRONT WHEEL HUB CPL.	1
3	54809011000	BEA.SPACERTUBE 35X2 L=79,4 03	1
4	0625069068	GR.BALL BEAR.6906 DDU2CG23S6NM	2
6	0760354771	SHAFT SEAL RING 35X47X7 TC	2
7	76209013044	SPACER BUSHING FRO. WHEEL 30MM	1
8	78009012000	SPACER BUSHING F. FR. WHEEL 08	2
10	78009174226	SPOKE M4,5x226-21" 08	36
11	50309072100	SPOKE NIPPLE M4,5X0,75 8X21	36
12	7730907000030	RIM 1,6"X21" EXCEL SXS 08	1
13	50309073000	RIM BAND 21"	1
14	50309075000	HOSE 21"	1
15	76212060032	RING WRENCH 32MM	1
20	58509081100	FRONT AXLE D=30MM 04	1
21	76209082000	COLLAR SCREW FRONT AXLE WS32	1
23	58509060000	BRAKE DISC FRONT 07	1
24	59009062013	SPECIAL SCREW M6X13 WS=8 10.9	6
31	0471009104	CIRCLIP DIN0471- 9X1 INOX	1
32	54814069050	MAGNET FOR DIGITAL SPEEDOM. 03	1
35	51009100100	RIM LOCK VM1 (1,60")	x
36	50310090050	NUT FOR WHEEL HOLDER '96	x

107620910 / C107620910

* NEW PART

X AS REQUIRED

REAR WHEEL

690 RALLY FACTORY REPLICA 2010

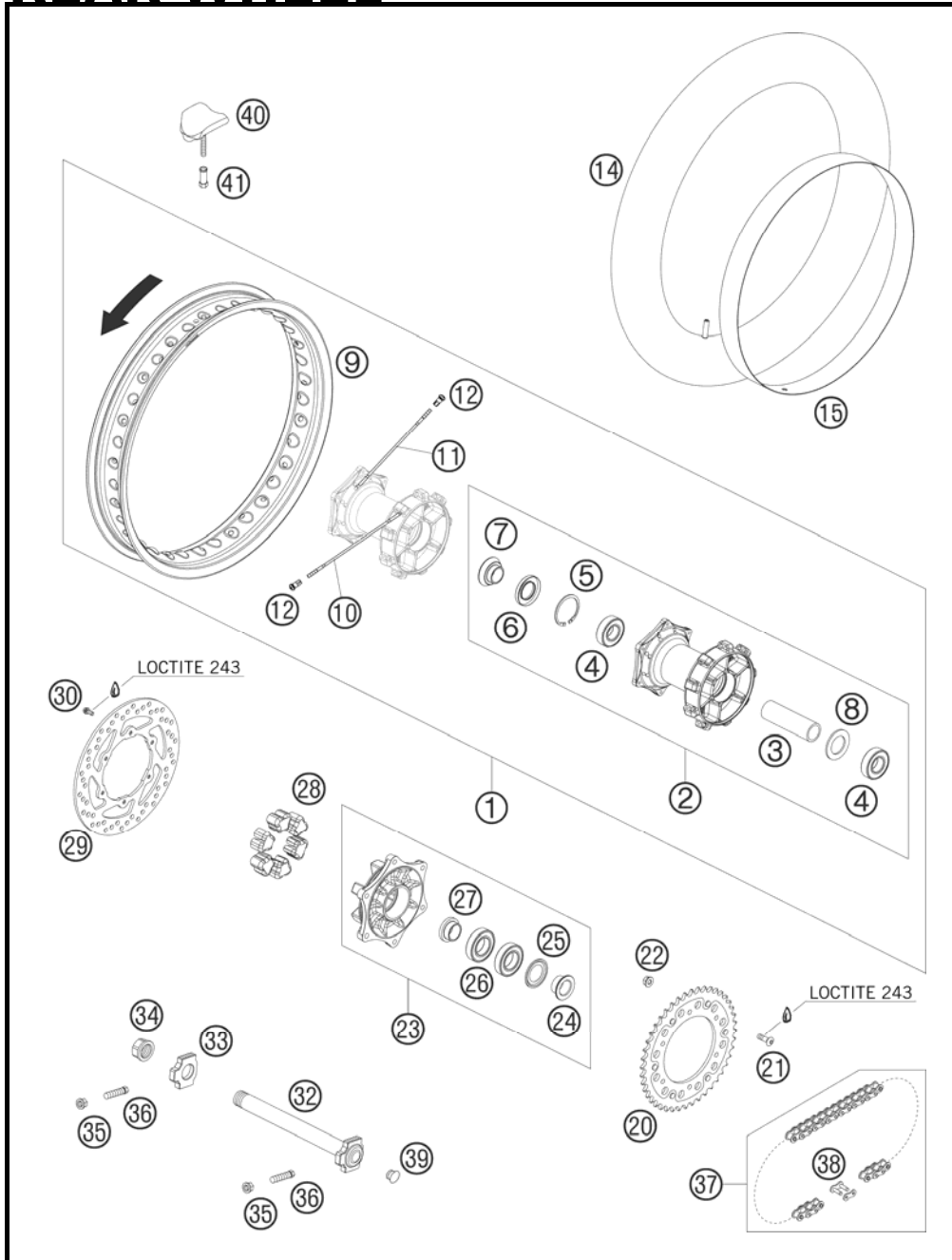


FIG	PART NUMBER	DESCRIPTION	QTY
1	76210001044	REAR WHEEL RALLY CPL.	1
2	75310010044	REAR HUB CPL. 07	1
3	75310011000	BEARING SPACER TUBE L=106MM 07	1
4	0625062052	GR.BALL BEAR. 6205-2RSHC3HMTF7	2
5	0472052200	CIRCLIP DIN0472-52X2	1
6	0760305271	SHAFT SEAL RING 30X52X7	1
7	60110013000	SPACER BUSH. REAR WHEEL R/S 06	1
8	60010015000	SPACER RING 03	1
9	7621007000030	RIM 2.50X18"	1
10	75310072217	SPOKE M5X217-17G 18" DACRO	18
11	75310172207	SPOKE M5X207-27G 18" DACRO	18
12	58309072100	SPOKE NIPPLE M5-TA 8X21MM	36
14	50310075100	HOSE 110/100C-18	x
15	50310073200	RIM BAND 18" AND 19"	x
20	5841005104204	REAR SPROCKET ORANGE 42-T	x
20	5841005104404	REAR SPROCKET ORANGE 44-T	x
20	5841005104604	REAR SPROCKET ORANGE 46 T.	x
21	0019080266S	COUNTER-SUNK SCREW ISA45 M8X26	6
22	54310086200	SELF LOCKING NUT M8 10.9	6
23	75010050044	SPROCKET SUPPORT CPL. 07	1
24	60110012000	SPACER BUSH. SPROCKET SUPP. 06	1
25	60110016000	NILOS RING 6006AV	1
26	0625060060	BALL BEARING 6006 DDU2CG23S6NM	2
27	60110014000	SPACER BUSH. SPR. SUPP. IN. 06	1
28	54610459000	RUBBER DAMPING BLOCK '91	1
29	60010060000	REAR BRAKE DISK D=240MM 03	1
30	59009062013	SPECIAL SCREW M6X13 WS=8 10.9	6
32	76210081044	WHEEL SPINDLE REAR CPL.	1
33	60010084000	CHAIN TENSIONER R/S LC8 03	1
34	60010086000	COLLAR NUT WH. SPINDLE REAR 03	1
35	58414030000	HH COLLAR NUT M10X1,25 WS=13	2
36	50304040100	SCREW M10X1,25X50 WS=10	2
37	78010167118	CHAIN DID 118 ROLLS	1
38	78010166100	RIVETING LINK FOR 78010167118	1
39	50210086000	COVERING CAP SFL16	1
40	56410100100	RIM LOCK VM4 (2.50")	x

077621010 / C107621010

* NEW PART

X AS REQUIRED

REAR WHEEL

690 RALLY FACTORY REPLICA 2010

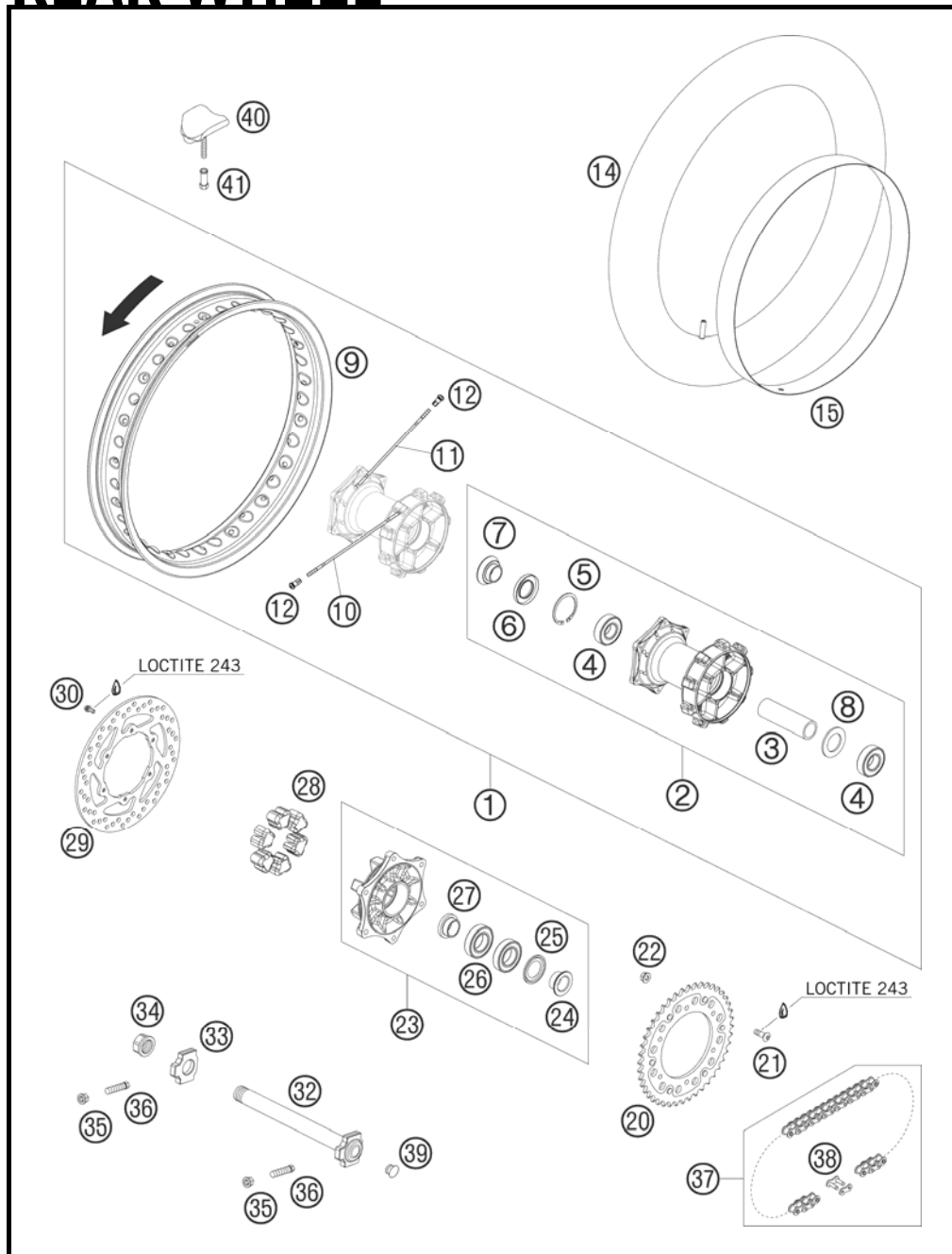


FIG	PART NUMBER	DESCRIPTION	'96	QTY
41	50310090050	NUT FOR WHEEL HOLDER		x

077621010 / C107621010

* NEW PART

X AS REQUIRED

WIRING HARNESS

690 RALLY FACTORY REPLIC 2010

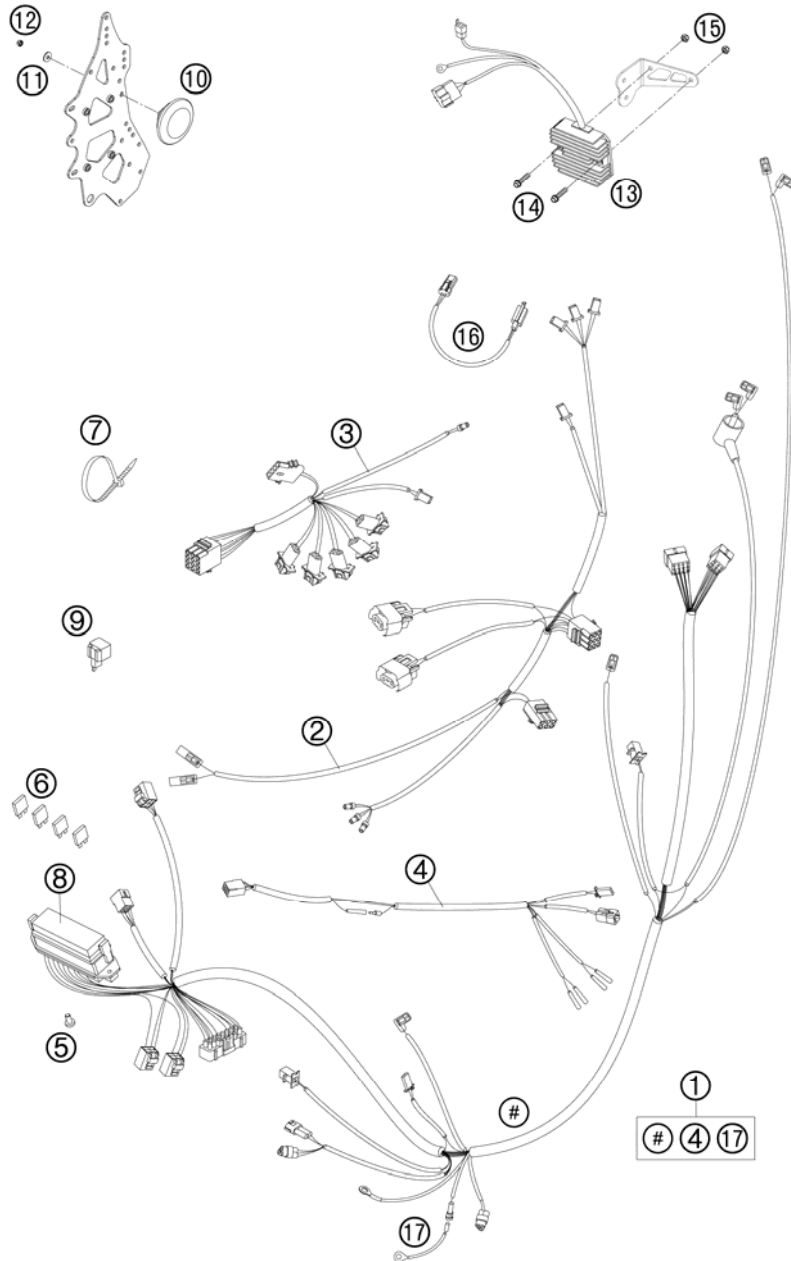


FIG	PART NUMBER	DESCRIPTION	QTY
1	76211075000	MAIN WIRING HARNESS 07	1
2	76211077000	WIRING HARNESS LIGHT 07	1
3	76211078000	WIRING HARNESS INSTRUMENTS 07	1
4	76211075050	WIRING HARNESS REAR 07	1
5	0985050103	OVAL HEAD SCR. DIN7985-M 5X10	2
6	58011109105	FUSE 5 A 2003	x
6	58011109110	FUSE 10 A 2000	x
6	58011109115	FUSE 15 A	x
6	58011109120	FUSE 20 A	x
7	44011076100	CABLE TIE 100/2,5MM BLACK	x
7	44011076200	CABLE TIE 200/3,6MM BLACK	x
7	44011076305	CABLE TIE 300/4,8MM BLACK	x
8	58511075510	FUSE-BOX COVER	1
9	44611207200	FLASHER UNIT 97	1
10	50311060100	DC HORN L.E.B. 03	1
11	0021050003	WASHER DIN9021-A 5,3	1
12	0985050003	SELF LOCKING NUT DIN0985-M 5	1
13	60011034100	VOLTAGE REGULATOR	1
14	0025060306	HH COLLAR SCREW M6X30 TX30	2
15	0985060003	SELF LOCK. NUT DIN0985-M 6	2
16	76211077050	ADAPT.CABLE SPEEDOM.LIGHTING	1
17	58511080000	CABLE F. TEMP. SWITCH	1

077621110 / C097621110

* NEW PART

X AS REQUIRED

BATTERY

690 RALLY FACTORY REPLICA 2010

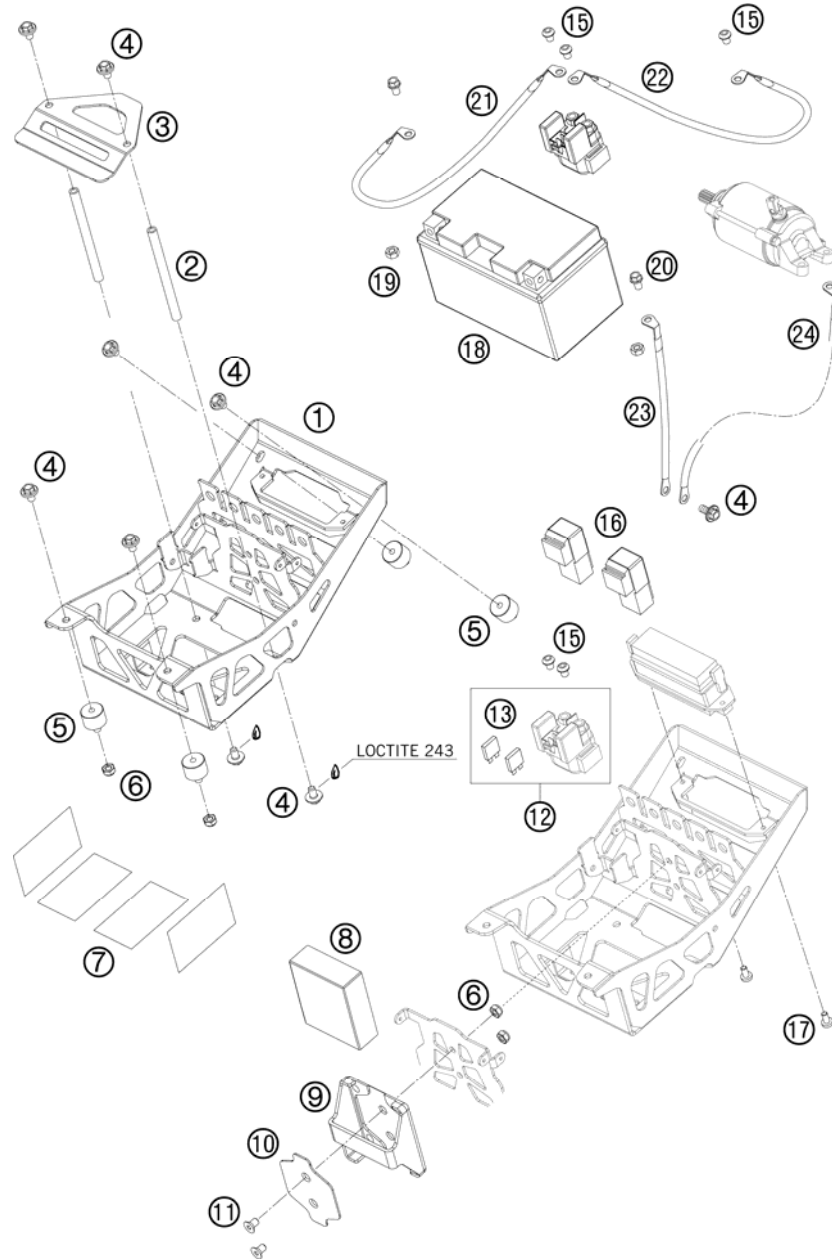


FIG	PART NUMBER	DESCRIPTION	QTY
1	76211000000	BATTERY BOX	1
2	76211000070	SPACER PIN BATTERY BOX	2
3	76211000050	HOLDER FOR BATTERY	1
4	0024060106	HH COLLAR SCREW M6X10 TX30	9
5	43205062100	RUBBER GROMMET 20X15-M6X10 (1)	4
6	0985060003	SELF LOCK. NUT DIN0985-M 6	4
7	59003001099	METAMOLL 90X45X3MM 03	4
8	76239031000	CDI DIGITAL BOX	1
9	58439030200	RUBBER BRACKET FOR DIGI-BOX 03	1
10	58439030250	SUPPORT FOR RUBBER BRACKET 03	1
11	0991060103	FLAT HEAD SCREW DIN7991 M6X10	2
12	76211058000	STARTER RELAY 07	1
13	58011109130	FUSE 30 A	2
15	0902060083	AH OVAL SCREW ISO 7380 M 6X8	3
16	58411057000	STARTER RELAY '96	2
17	0985050103	OVAL HEAD SCR. DIN7985-M 5X10	2
18	58411053100	BATTERY 12V 8,6AH 03	1
19	0934060003	HEXAGON NUT DIN0934-M 6	2
20	0025060106	HH COLLAR SCREW M6X10 TX30	2
21	76211086000	BATTERY CABLE 07	1
22	76211059000	STARTER CABLE	1
23	76211097000	GROUND CABLE	1
24	58411097100	GROUND CABLE D=6MM L=140MM '97	1

077621130 / C097621130

* NEW PART

X AS REQUIRED

HAND BRAKE CYLINDER

690 RALLY FACTORY REPLICA 2010

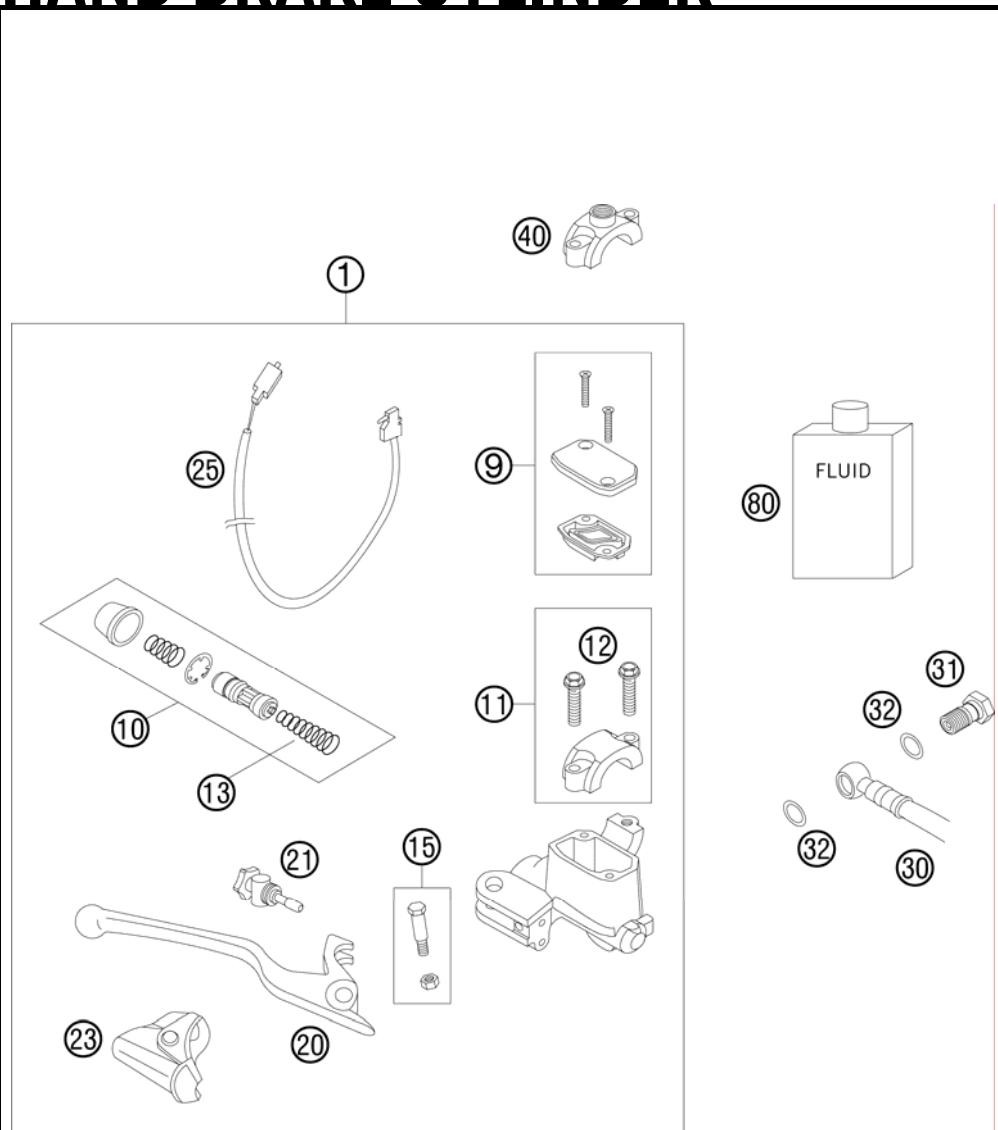


FIG	PART NUMBER	DESCRIPTION	QTY
1	50313001200	HANDBRAKE CYL. NAT. SMALL 2004	1
9	50313003000	HANDBRAKE CYL.COVER CPL.NATURE	1
10	50313008300	REP.SET PISTON D=11 EXC 2001	1
11	50313005000	CLAMP CPL. NATURE	x
12	0025060256	HH COLLAR SCREW M6X25 TX30	2
13	50213050050	SPRING PISTON BRAKE FRONT 11MM	1
15	50313006100	LEVER SCREW CPL. 2001	1
20	50313002100	HANDBRAKE LEVER SHORT 2001	1
21	50313007000	ADJUSTING SCREW CPL. SX 2000	1
23	50313004000	PROTECTION CAP HAND BRAKE CYL.	1
25	50311050100	BRAKE LIGHT SWITCH FRONT 2002	1
30	76213011000	BRAKE HOSE FRONT 1300MM	1
31	54813020100	HOLLOW SCREW BLACK M10X1X19	1
32	0603100141	COPPER GASKET DIN7603-10X14X1	2
40	58012040150	CLAMP FOR MIRROR '94	1
80	00062030000	BRAKE FLUID DOT5.1 0,25L	1

077621310 / C097621310

* NEW PART

X AS REQUIRED

REAR BRAKE CONTROL

690 RALLY FACTORY REPLICA 2010

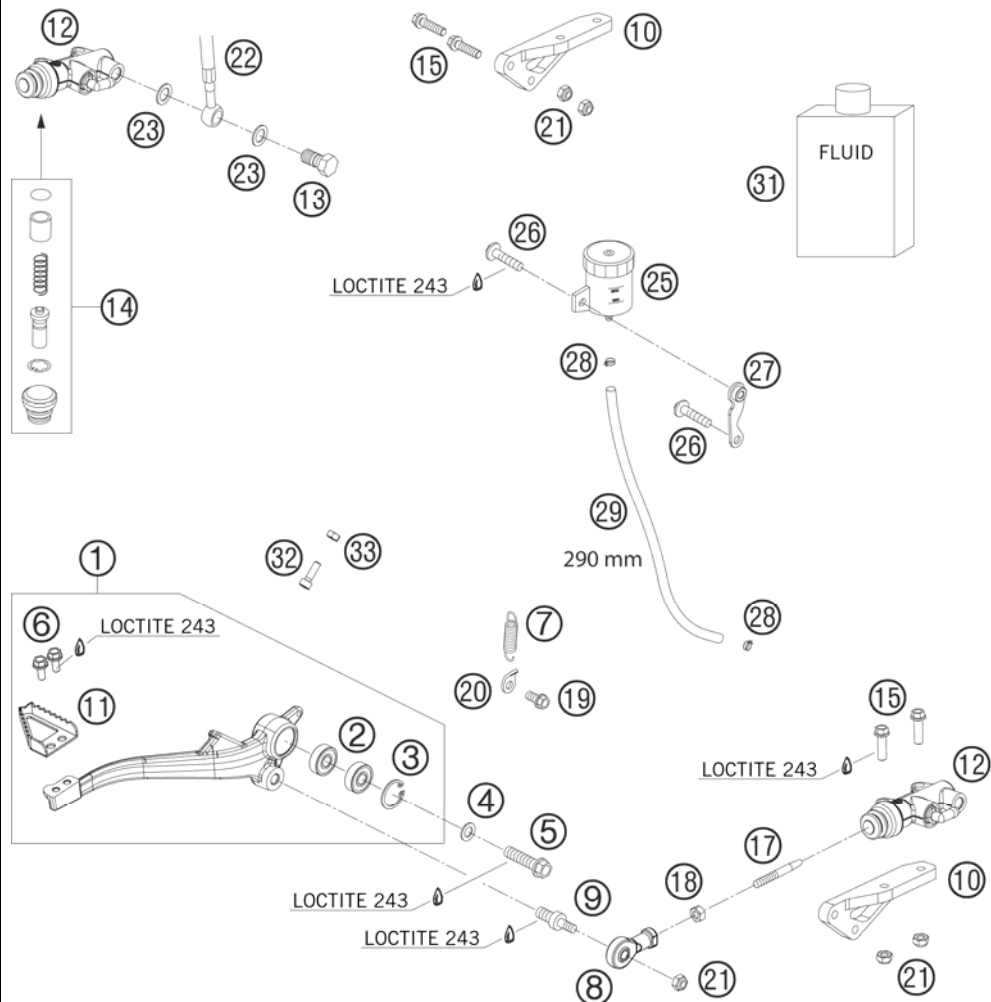


FIG	PART NUMBER	DESCRIPTION	QTY
1	76213050044	FOOT BRAKE LEVER CPL. 08	1
2	0625006087	GROOVED BALL BEAR. 608 2RS C3	2
3	0472022100	CIRCLIP DIN0472-22X1	1
4	36003014000	LOCK WASHER 8MM	1
5	0025080256	HH COLLAR SCREW M8X25 TX40	1
6	0025050126	HH COLLAR SCREW M5X12 TX30	2
7	54603062000	RETURN SPRING FOR BRAKE LEVER	1
8	54603069000	SWIVEL HEAD M6 FOOT BRAKE LEV.	1
9	58503060050	BRAKE LEVER AXLE RALLY 2001	1
10	76203045000	ADAPTER REAR MAIN BRAKE CYL.	1
11	76213051010	BRAKE LEVER PEDAL LARGE RALLY	1
12	76213060000	FOOT BRAKE CYLINDER REAR	1
13	54813020100	HOLLOW SCREW BLACK M10X1X19	1
14	54513150000	REPAIR KIT PISTON 13MM	1
15	0025060256	HH COLLAR SCREW M6X25 TX30	4
17	76203068000	PUSH ROD MAIN BRAKE CYLINDER	1
18	0934060003	HEXAGON NUT DIN0934-M 6	1
19	0025060106	HH COLLAR SCREW M6X10 TX30	1
20	51005074000	RETAINING PLATE	1
21	0985060003	SELF LOCK. NUT DIN0985-M 6	5
22	76213070000	BRAKE HOSE REAR	1
23	0603100141	COPPER GASKET DIN7603-10X14X1	2
25	54513030044	BRAKE FLUID RESERVOIR '89	1
26	0024060106	HH COLLAR SCREW M6X10 TX30	2
27	76213068044	RET. PL. BRAKE FLUID RES. CPL.	1
28	58007017000	YDNAC CLAMP 10101 (9MM)	2
29	76213061000	HOSE FOR BRAKE FLUID RESERVOIR	1
31	00062030000	BRAKE FLUID DOT5.1 0,25L	1
32	0025050256	HH COLLAR SCREW M5X25 ISA30	1
33	0934050003	HEXAGON NUT DIN0934-M 5	1

077621330 / C097621330

* NEW PART

X AS REQUIRED

BRAKE CALIPER FRONT

690 RALLY FACTORY REPLICA 2010

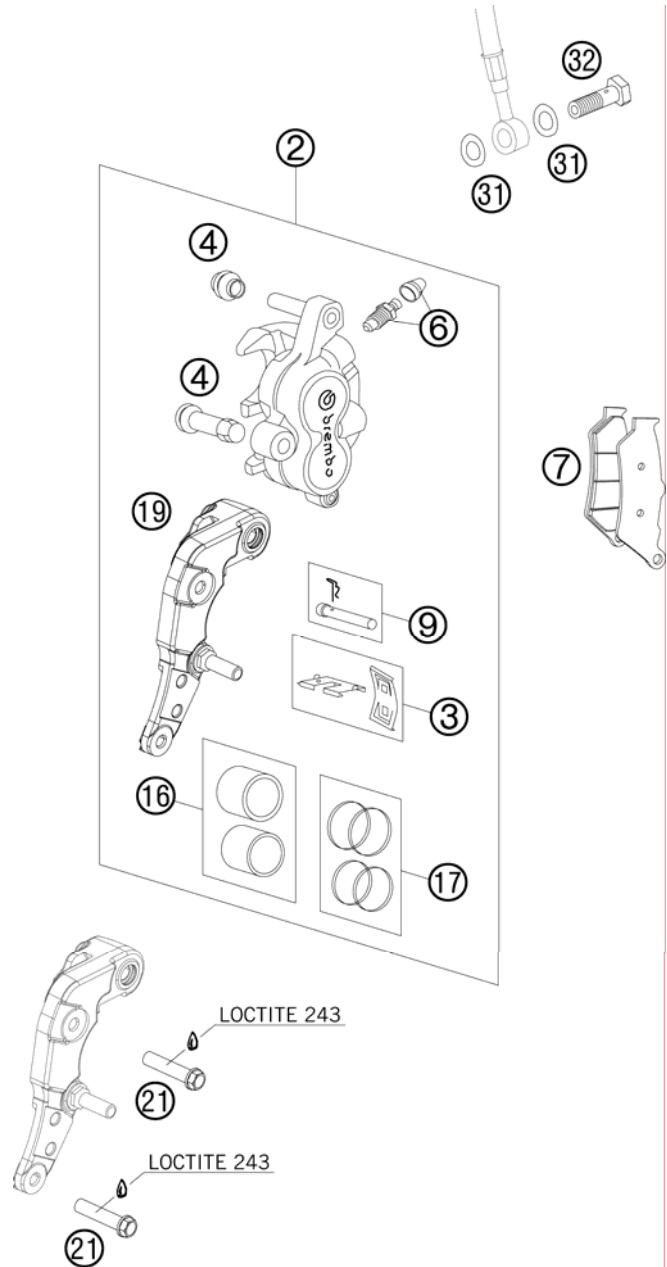


FIG	PART NUMBER	DESCRIPTION	QTY
2	7621301500101	BRAKE CAL. FR. - WITHOUT PADS	1
3	60013018000	RETAINING PLATE SET FRONT 03	1
4	54613218000	CUP SET SHORT	1
6	60013020000	BLEEDER SCREW WITH CAP	1
7	60013030000	BRAKE PADS TOSHIBA TT 2172 HHA	1
9	60013017000	BOLT SET L/S	1
16	60013083000	BRAKE PISTONS 30/32MM	2
17	60013019000	REP.KIT SEALING RINGS 30/32MM	2
19	76213049000	BRAKE CALIPER SUPPORT FR. L/S	1
21	0025080356	HH COLLAR SCREW M8X35 TX40	2
31	0603100141	COPPER GASKET DIN7603-10X14X1	1
32	54813020100	HOLLOW SCREW BLACK M10X1X19	1

097621360 / C107621360

* NEW PART

X AS REQUIRED

BRAKE CALIPER REAR

690 RALLY FACTORY REPLICA 2010

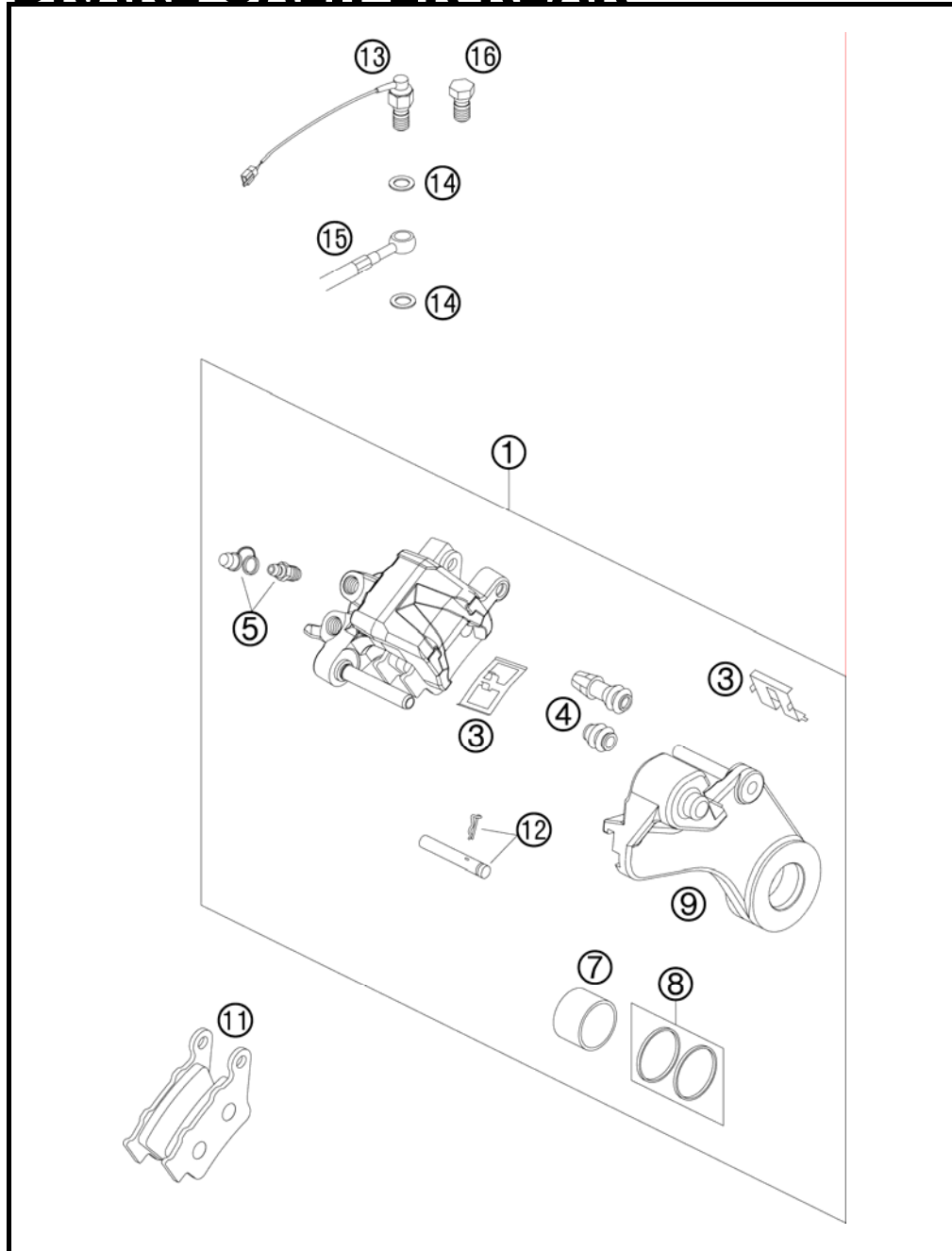


FIG	PART NUMBER	DESCRIPTION	QTY
1	7651308000101	BRAKE CALIPER - WITHOUT PADS	1
3	54613311200	RETAINING SPRING SET	1
4	54613218000	CUP SET SHORT	1
5	61013020200	BLEEDER SCREW WITH CAP	1
7	50313083000	BRAKE PISTON 32MM	1
8	50313081000	REPAIR KIT SEALING RINGS 32MM	1
9	76513075000	BRAKE CALIPER SUPPORT REAR 08	1
11	54613309200	BRAKE PAD SET FERIT ID450FF	1
12	61013082000	BOLT SET 05	1
13	58511051000	BRAKE LIGHT SWITCH REAR 03	1
14	0603100141	COPPER GASKET DIN7603-10X14X1	2
15	76213070000	BRAKE HOSE REAR	1
16	54813020100	HOLLOW SCREW BLACK M10X1X19	x

097621390 / C107621390

* NEW PART

X AS REQUIRED

LIGHTING SYSTEM

690 RALLY FACTORY REPLICA 2010

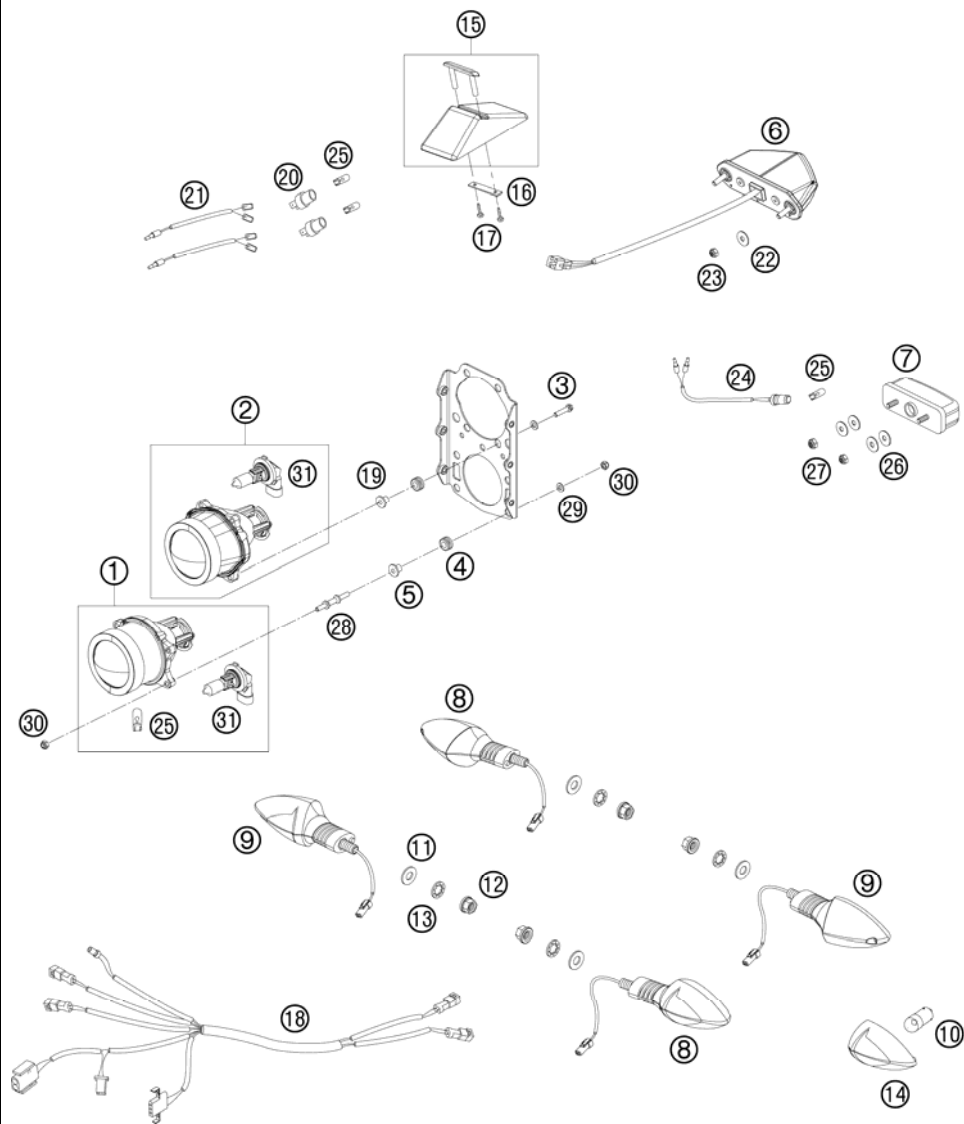


FIG	PART NUMBER	DESCRIPTION	QTY
1	76214001000	HEADLIGHT HIGH BEAM 07	1
2	76214002000	HEADLIGHT LOW BEAM 07	1
3	0024060206	HH COLLAR SCREW M6X20 TX30	4
4	31008060000	RUBBER SLEEVE D=8MM OPEN	8
5	60014007000	SPACER BUSHING HEAD LIGHT 03	4
6	76211040000	TAILLIGHT CPL.	1
7	58414047000	LICENSE-PLATE ILLUMINATION '98	1
8	60114025000	FLASHER CPL.FRONT L/S REAR L/S	2
9	60114026000	FLASHER CPL.FRONT R/S REAR L/S	2
10	60114027000	BULB 12V ORANGE (RY10W)	4
11	0125100003	WASHER DIN0125-A10,5	4
12	58414030000	HH COLLAR NUT M10X1,25 WS=13	4
13	0797100003	LOCK WASHER DIN6797-J10,5 ZI	4
14	60114028000	FLASHER LENS L/S R/S TRANSP.06	4
15	58511099244	EXTRA REAR LIGHT LENS '97	2
16	58514046000	REAR LIGHT BRACKET	2
17	0981350133	SHEET MET.SCR.DIN7981-3,5X13	4
18	76211080000	WIRING HARNESS FLASHER 07	1
19	58314060050	SPACER BUSH. F. SPEEDOMET.BRA.	4
20	58514004000	SOCKET FOR BRAKE LIGHT '99	2
21	58511099200	WIRING HARNESS REAR LIGHT '99	2
22	0021060003	WASHER DIN9021-A 6,4	2
23	0985060003	SELF LOCK. NUT DIN0985-M 6	2
24	76214048000	CABLE LIC. PLATE ILLUMINATION	1
25	49011435100	BULB 12V 5W (W2,1X9,5D) PHIL.	4
26	0021050003	WASHER DIN9021-A 5,3	4
27	0985050003	SELF LOCKING NUT DIN0985-M 5	2
28	76214010015	SPACING MANDREL	4
29	0125050003	WASHER DIN0125-A 5,3	12
30	0985050003	SELF LOCKING NUT DIN0985-M 5	8
31	58714003000	BULB HB3 12V 60W '99	2

077621410 / C097621410

* NEW PART

X AS REQUIRED

INSTRUMENTS / LOCK SYSTEM

690 RALLY FACTORY REPLICA 2010

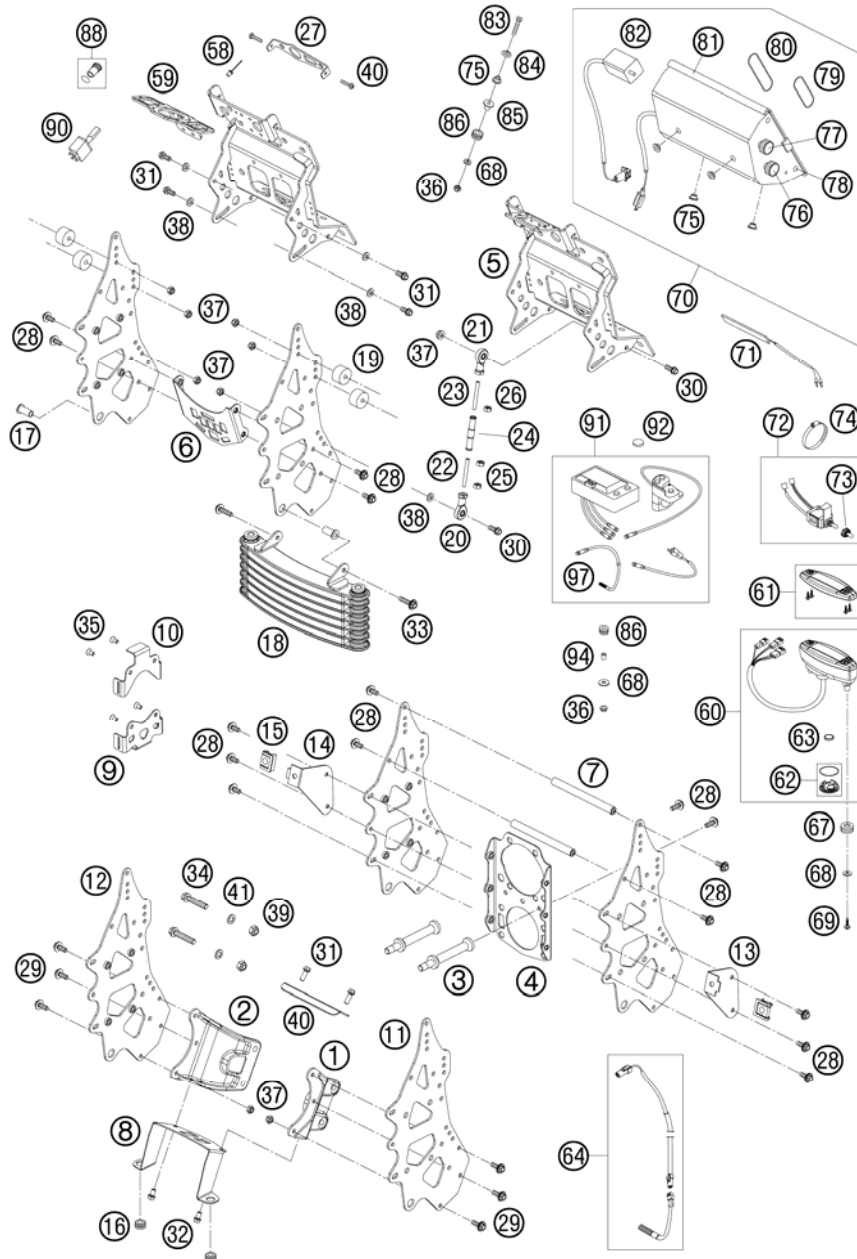


FIG	PART NUMBER	DESCRIPTION	QTY
1	76212090040	ATTACHMENT FOR NAVI SUPP. L/S	1
2	76212090050	ATTACHMENT FOR NAVI SUPP. R/S	1
3	76214010010	FRONT MASK MOUNTING MANDREL	2
4	76214010033	HEADLIGHT ATTACHMENT	1
5	76212091020	ROADBOOK SUPPORT 07	1
6	76212090033	STIFF JOINT NAVI. SUPPORT CPL.	1
7	76212090015	BRACING NAVIGATION DEVICE	2
8	76212090060	OIL RADIATOR SUPPORT PLATE	1
9	76212091070	BALIS SUPPORT LOWER PART 08	1
10	76212091080	BALIS SUPPORT UPPER PART	1
11	76212090010	MOUNTING PLATE NAVIGAT. DEVICE	1
12	76212090013	MOUNT. PLATE NAV. DEVICE RIGHT	1
13	76214010030	RETAINING PLATE FRONT MASK LE	1
14	76214010040	RETAINING PLATE FRONT MASK RI	1
15	45007040052	CLIP	2
16	31008060000	RUBBER SLEEVE D=8MM OPEN	2
17	76212090070	INSULATED SCREW JOINT M6	2
18	76238000000	OIL COOLER	1
19	76212092031	RUB. GROM. 25X15XTYP B CPL.	4
20	76212092010	IGUS (KBRM-06) SWIVEL HEAD RI	1
21	76212092020	IGUS (KBLM-06) SWIVEL HEAD LE	1
22	76212090016	CONNECTING ROD M6X45	1
23	76212090017	CONNECTING ROD M6X45 L.H.THRE.	1
24	76212092040	ADJUSTING NUT CPL.	1
25	0934060003	HEXAGON NUT DIN0934-M 6	4
26	0934060013	HEXAGON NUT DIN0934-M 6 LH	2
27	76212091040	BRACKET FOR SPEEDOMETER	1
28	0024060106	HH COLLAR SCREW M6X10 TX30	14
29	0024060156	HH COLLAR SCREW M6X15 TX30	6
30	0025060206	HH COLLAR SCREW M6X20 TX30	4
31	0025060126	HH COLLAR SCREW M6X12 TX30	6
32	0025060106	HH COLLAR SCREW M6X10 TX30	2
33	0024060206	HH COLLAR SCREW M6X20 TX30	2
34	0025080556	HH COLLAR SCREW M8X55 TX40	2
35	0991060103	FLAT HEAD SCREW DIN7991 M6X10	4
36	0985050003	SELF LOCKING NUT DIN0985-M 5	6

077621430 / C097621430

* NEW PART

X AS REQUIRED

INSTRUMENTS / LOCK SYSTEM

690 RALLY FACTORY REPLICA 2010

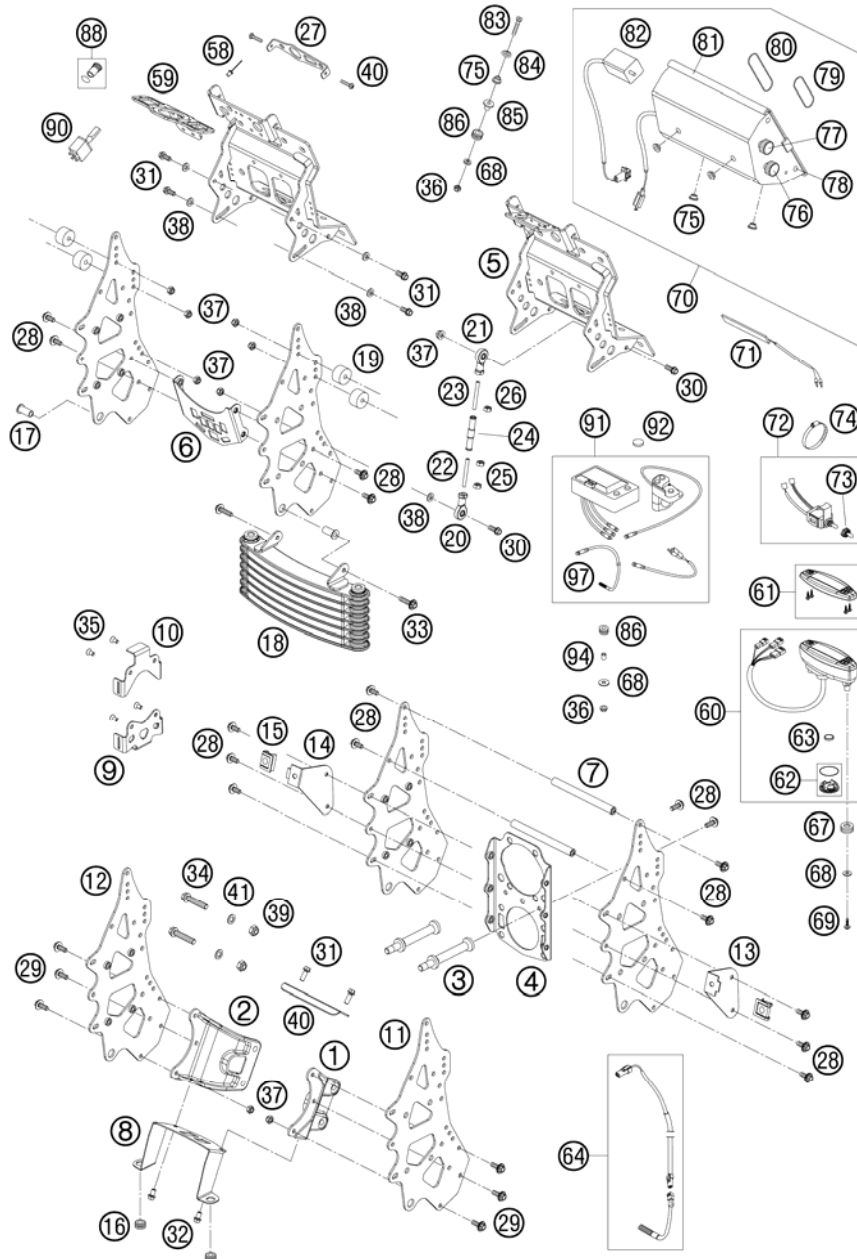


FIG	PART NUMBER	DESCRIPTION	QTY
37	0985060003	SELF LOCK. NUT DIN0985-M 6	14
38	0125060003	WASHER DIN0125-A 6,4	6
39	0985080003	SELF LOCKING NUT DIN0985-M 8	2
40	76212090035	COVER FOR NAVIGATION SUPPORT	1
41	0125080003	WASHER DIN0125-A 8,4	2
58	0011401001	RIVET	4
59	76212091050	ANTENNA-SUPPORT	1
60	54814069000	SPEEDOMETER KM/H F. 21" 2005	1
61	54814069020	SPEEDOMETER TOP PART 05	1
62	54814069010	BATTERY COVER F. SPEEDOM. 2005	1
63	58314068000	BATTERY F. SPEEDOM. M.A.E. 02	1
64	54814068100	CABLE FOR DIGITAL SPEEDOM. 06	1
67	58214069051	RUBBER GROMMET 16X10,8X3 02	2
68	0021050003	WASHER DIN9021-A 5,3	8
69	0016050121	SCREW FOR PLASTIC 50X12	2
70	76212098044	ROADBOOK CPL. 2008	1
71	76212098000	LIGHT DIODE CPL.RALLYE	1
72	76212075044	ROADBOOK SWITCH CPL. 08	1
73	58512098160	NUT W.RUBBER COV. ROADB.SWITCH	1
74	10001020000	HOSE CLAMP GEMI 16-27	1
75	50213161000	COLLAR BUSHING	4
76	58512074040	ALU-BUTTON BASE F. ROADBOOK 03	1
77	58512074030	ALU-BUTTON TOP FOR ROADBOOK 03	1
78	58512074050	PLASTIC BUSHING F. ROADBOOK 03	7
79	58512074060	O-RING FOR ROADBOOK SHORT 03	1
80	58512074070	O-RING FOR ROADBOOK LONG 03	1
81	58512074020	PLASTIC COVER FOR ROADBOOK 03	1
82	58512074044	ROADBOOK ENGINE CPL. 03	1
83	0991050253	FLAT HEAD SCREW DIN7991-M 5X25	4
84	40006006000	WASHER 6MM	4
85	60014007000	SPACER BUSHING HEAD LIGHT 03	4
86	31008060000	RUBBER SLEEVE D=8MM OPEN	6
88	58011021300	H.BEAM INDICATOR LIGHT BLUE'98	1
88	58011024300	FLASHER INDICAT.LIGHT GREEN'98	1
88	58011025000	OIL INDICATOR LIGHT RED OIL-PRESSURE INDICATOR	1

077621430 / C097621430

* NEW PART

X AS REQUIRED

INSTRUMENTS / LOCK SYSTEM

690 RALLY FACTORY REPLICA 2010

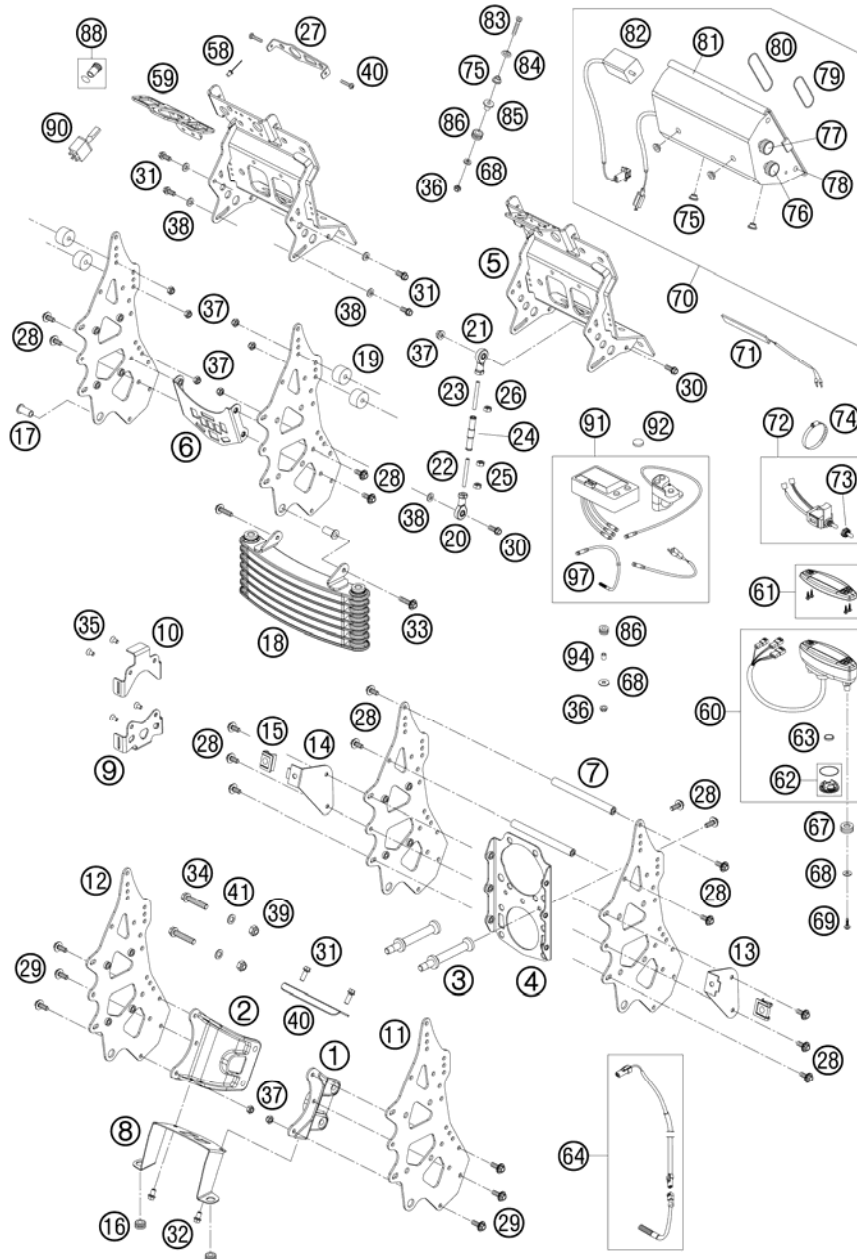


FIG	PART NUMBER	DESCRIPTION	QTY
88	58011022400	TEMPERATURE WARN. LIGHT RED '98	1
88	58011023300	NEUTRAL INDIC. LIGHT GREEN '98	1
90	58511069100	SWITCH ON/OFF RALLYE 03	1
91	58512085100	TRIPMASTER ICO RALLYE 04	1
92	58512085160	BATTERY FOR ICO TRIPMASTER 04	2
94	58011039000	SPACER BUSHING 6,5 X 8 X 7	2
97	58512090150	SENSORKIT ITEM NR. 124 05	1

077621430 / C097621430

* NEW PART

X AS REQUIRED

RALLY LIGHT MODIFICATION KIT

690 RALLY FACTORY REPLICA 2010

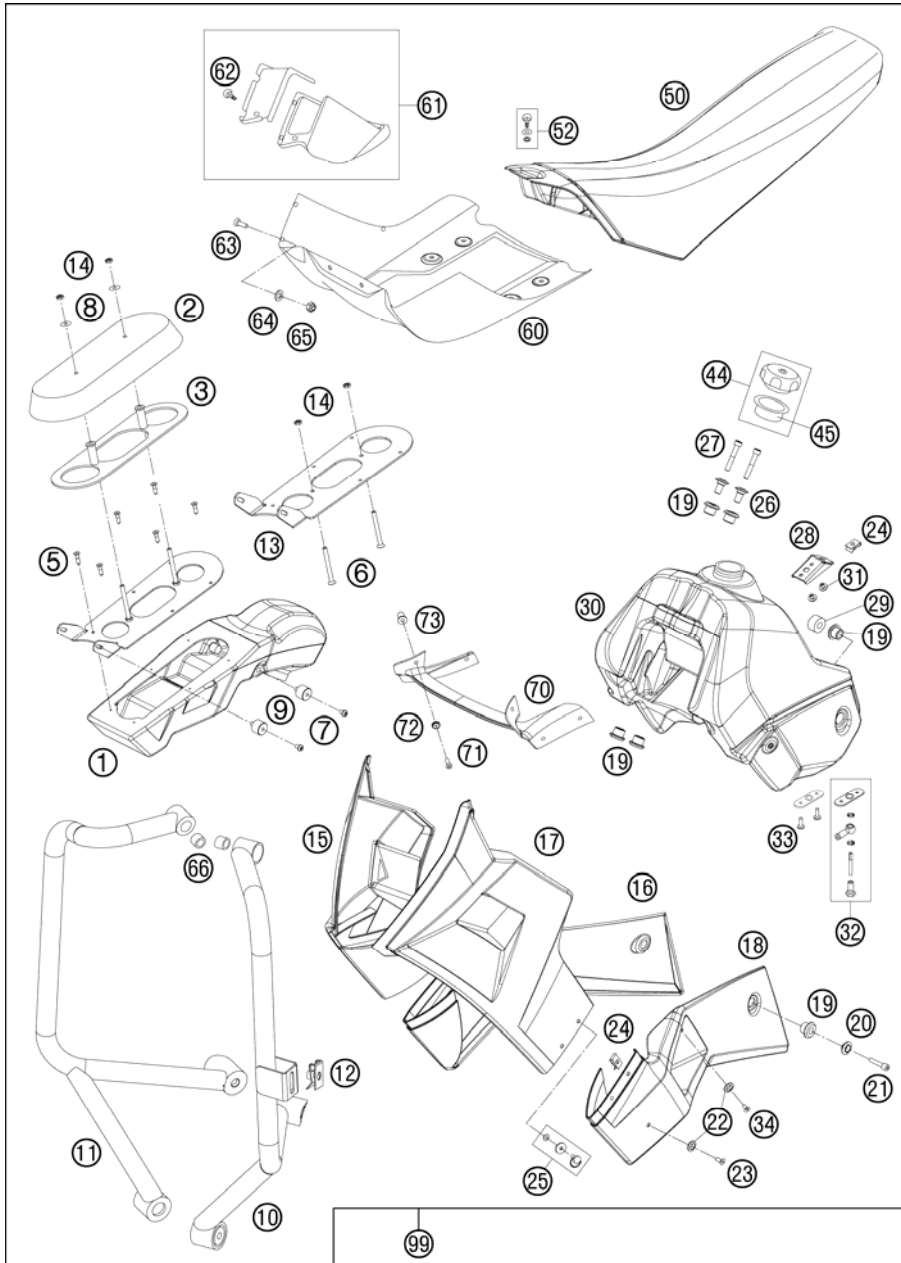


FIG	PART NUMBER	DESCRIPTION	QTY
1	76206001100	AIRBOX RALLY-LIGHT	1
2	58506015000	AIR FILTER TWIN AIR 01	1
3	58506001000	FILTER CARRIER	1
5	0991050162	FLAT HEAD S. DIN7991 M5X16-8.8	6
6	0933050603	HH SCREW DIN0933-M 5X60	2
7	0902060083	AH OVAL SCREW ISO 7380 M 6X8	4
8	0021050003	WASHER DIN9021-A 5,3	2
9	76206012000	RUBBER GROMMET 20X15-M6X15-M6	4
10	76203007100	ROLL BAR L/S CPL.	1
11	76203008100	ROLL BAR R/S CPL.	1
12	54603048100	RANGE CHANGE METAL NUT M6	2
13	76206001151	AIRBOX PLATE RALLY LIGHT	1
14	0985050003	SELF LOCKING NUT DIN0985-M 5	4
15	76208042000	MASK R/S TOP	1
16	76208040000	MASK R/S BOTTOM	1
17	76208041000	MASK L/S TOP	1
18	76208040050	MASK L/S BOTTOM	1
19	56401040000	RUBBER BUSHING	8
20	58512062000	BUSHING SLEEVE OUT 2001	2
21	0912080403	AH SCREW DIN912 M8X40	2
22	58308045000	SPECIAL WASHER 7X12,5X20 BLACK	4
23	0991060163	FLAT HEAD SCR. DIN7991-M 6X16	2
24	45007040052	CLIP	5
25	45007040051	QUICK RELEASE CPL. 50 SXR '97	4
26	60007060000	BEARING BUSHING OUTSIDE 03	2
27	0912080403	AH SCREW DIN912 M8X40	2
28	76207046100	MOUNTING PLATE F. SEAT	1
29	76207020000	DISTANCE PIECE FOR FUEL TANK	2
30	76207013100	FUEL TANK RALLY-LIGHT	1
31	0024060106	HH COLLAR SCREW M6X10 TX30	2
32	58507008000	FUEL CONNECTION CPL. 01	2
33	0991050102	FLAT H.SCEW DIN7991-M5X10 10.9	4
34	0991060123	FLAT HEAD SCREW DIN7991 M6x12	2
44	49007008044	FILLER CAP CPL. SMALL	1
45	59007009000	GASKET FOR FILLER CAP HIGH	1
50	76207040100	SEAT RALLY-LIGHT	1

097622099 / C097622099

* NEW PART

X AS REQUIRED

RALLY LIGHT MODIFICATION KIT

690 RALLY FACTORY REPLICA 2010

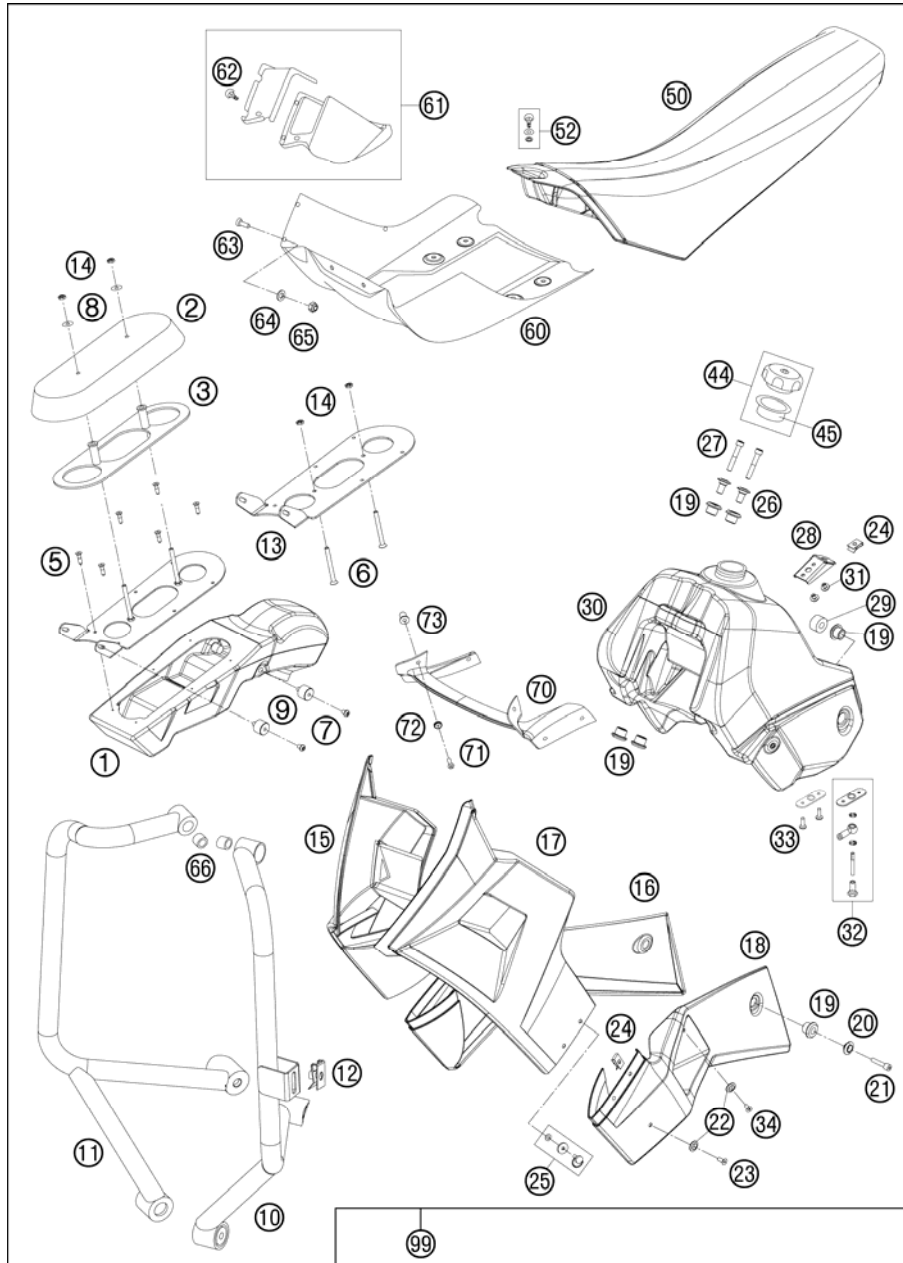


FIG	PART NUMBER	DESCRIPTION	QTY
52	58307040551	QUICK RELEASE CPL. '96	1
60	76212099140	ENGINE GUARD	1
61	76212099160	TOOL CASE R/S CPL.	1
62	69008901050	QUICK RELEASE F. RAC. COVER	2
63	58512099365	LINTIL HEAD SCREW M5X12 AH 02	3
64	0125050003	WASHER DIN0125-A 5,3	3
65	0985050003	SELF LOCKING NUT DIN0985-M 5	3
66	58011039100	BUSHING 6,5X11,2X10	2
70	76211104020	AIR BAFFLE	1
71	0966050208	O.H.SCREW DIN0966-M 5X20 BLACK	6
72	60008046000	SPECIAL WASHER D=12MM 03	6
73	60008008050	BLIND PLUG-IN NUT M5 WN 16A 03	6
99	76212045000	RALLY LIGHT MODIFICATION-KIT	1

097622099 / C097622099

* NEW PART

X AS REQUIRED

ACCESSORIES KIT

690 RALLY FACTORY REPLICA 2010

①
OHNE ABBILDUNG
WITHOUT ILLUSTRATION

①
TECHNISCHE DOKUMENTATION
TECHNICAL DOCUMENTATION
DOCUMENTACION TECNICA
DOCUMENTATION TECHNIQUE
NOTE TECNICHE

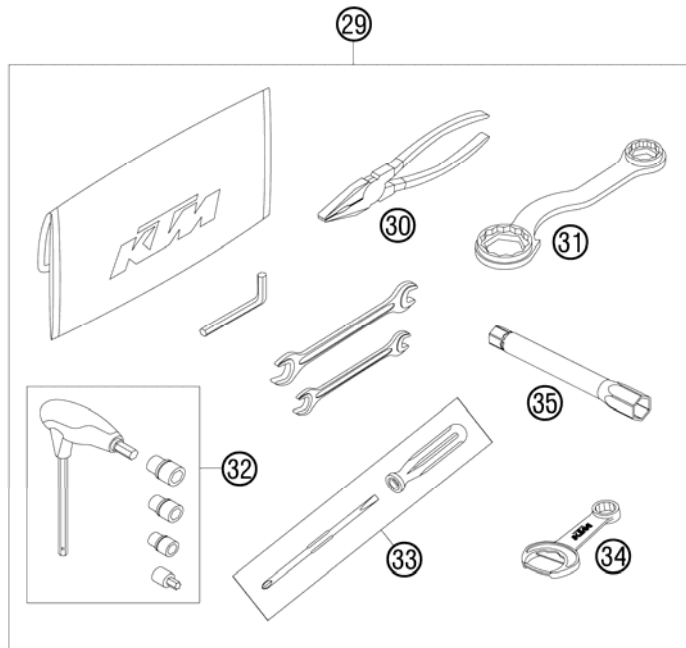
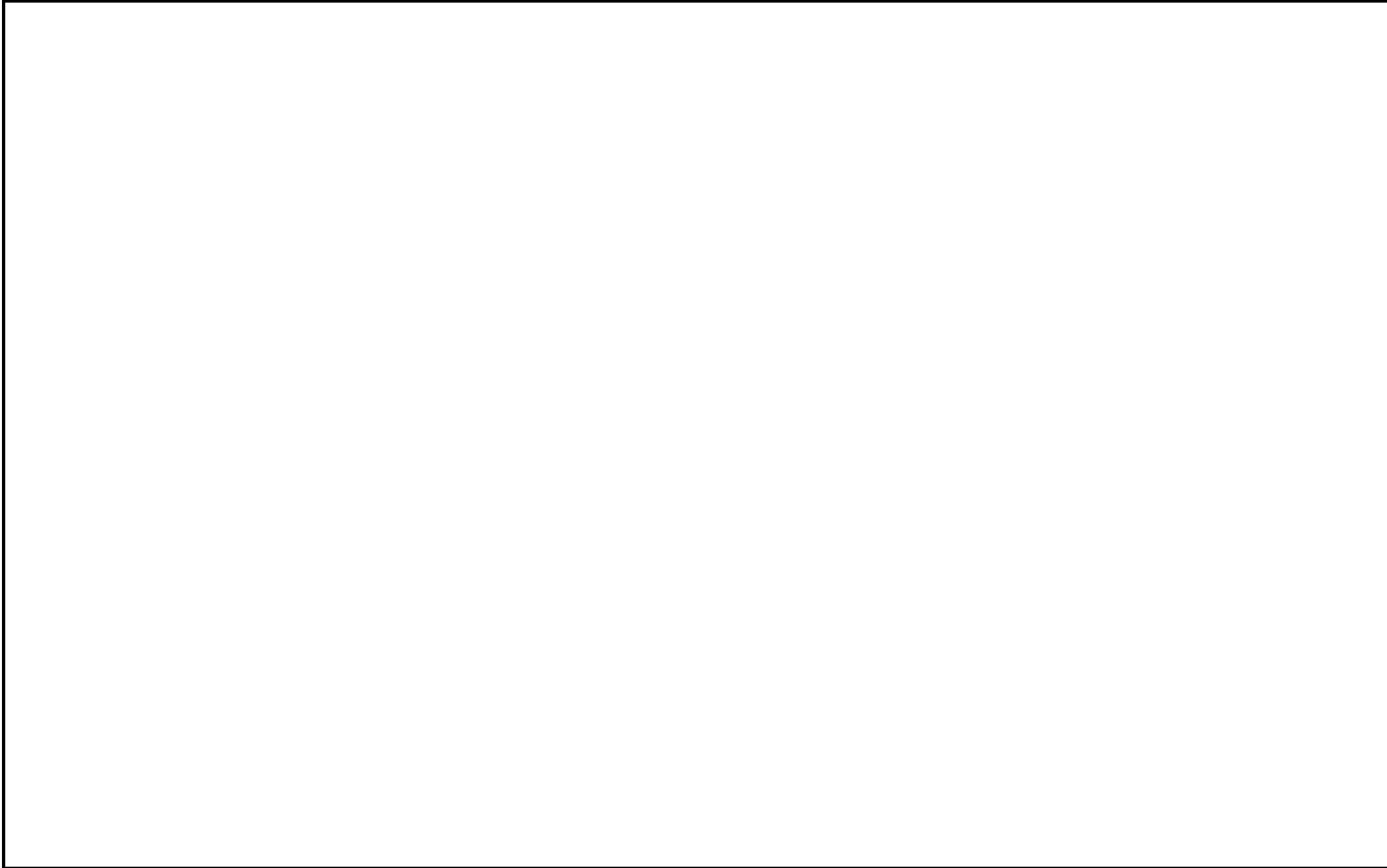


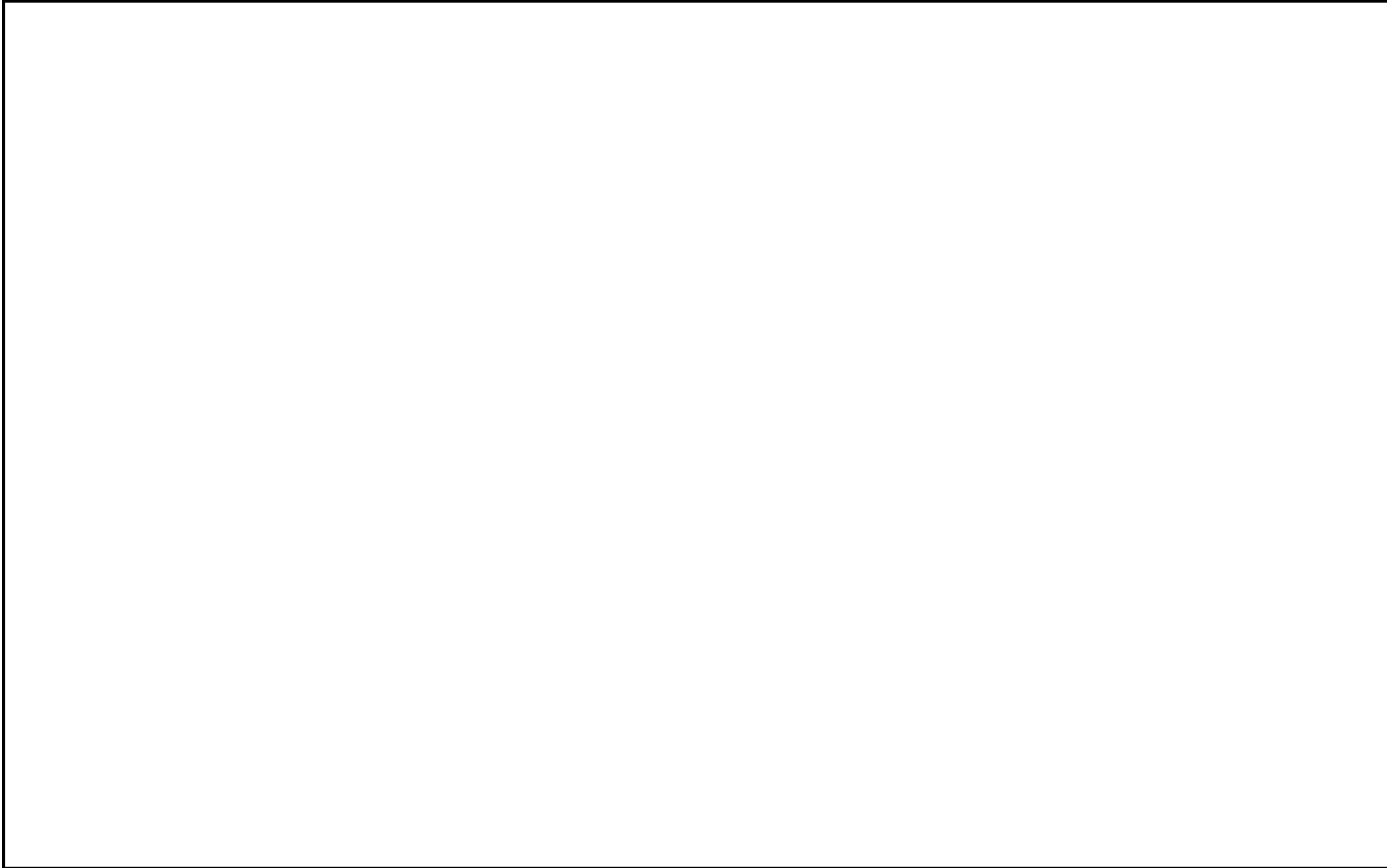
FIG	PART NUMBER	DESCRIPTION	QTY
0	0011501201	DUMMY RIVET 5,0X12 STEEL	6
0	0014060203	HH COLLAR SCREW M 6X20 WS=8	4
0	0966050208	O.H.SCREW DIN0966-M 5X20 BLACK	4
0	312305	DOCUMENTS BAG 2006	1
0	312313	KTM BALLPOINT PEN ORANGE	1
0	3210039	CUSTOMER WELCOME LETTER	1
0	50213161000	COLLAR BUSHING	4
0	50302030150	CLAMP WITH PIN 2000	1
0	58012040150	CLAMP FOR MIRROR '94	1
0	58412040100	REAR MIRROR L/S+R/S LC4 2001	2
0	59001092050	SPECIAL SCREW M6X12,5 WS=8	6
0	5900109400030	FORK PROTECT. L/S+R/S BLACK 02	1
0	60008008050	BLIND PLUG-IN NUT M5 WN 16A 03	4
0	60008046000	SPECIAL WASHER D=12MM 03	4
0	6300801000004	FENDER FRONT ORANGE 06	1
0	76204015000	SWING BOLT PIN	1
0	76205026050	PLUG	1
0	76205071150	END CAP CPL. W. INNER TUBE 09	2
0	76206101051	AIR BOX BRACKET	1
0	76206101052	AIR FILTER BRACKET	1
0	76206115000	AIR FILTER TWIN AIR 09	1
0	76212060032	RING WRENCH 32MM	1
0	76214010020	HEADLIGHT PANE FRONT MASK	1
1	3211513EN	OWN.MAN. 690 RALLY FAC.REP. 10	1
1	3CF9799J8EN	SPC CHASSIS 690 RALLY 2010	1
1	3CM088520JEN	SPC ENGINE 690 RALLY 2010	1
29	76229099000	TOOL SET RALLY	1
30	53012028200	GRIP ORANGE B&F	1
31	50329080100	WRENCH SW=17/21/27/32 B&F	1
32	60029070200	T-WRENCH WS=6/8/10 TX=45 B&F	1
33	53012024100	SCREW DRIVER L=105MM	1
34	50329071100	WRENCH WS=13 B&F + OPENER	1
35	75029072000	SPARK PLUG WRENCH	1

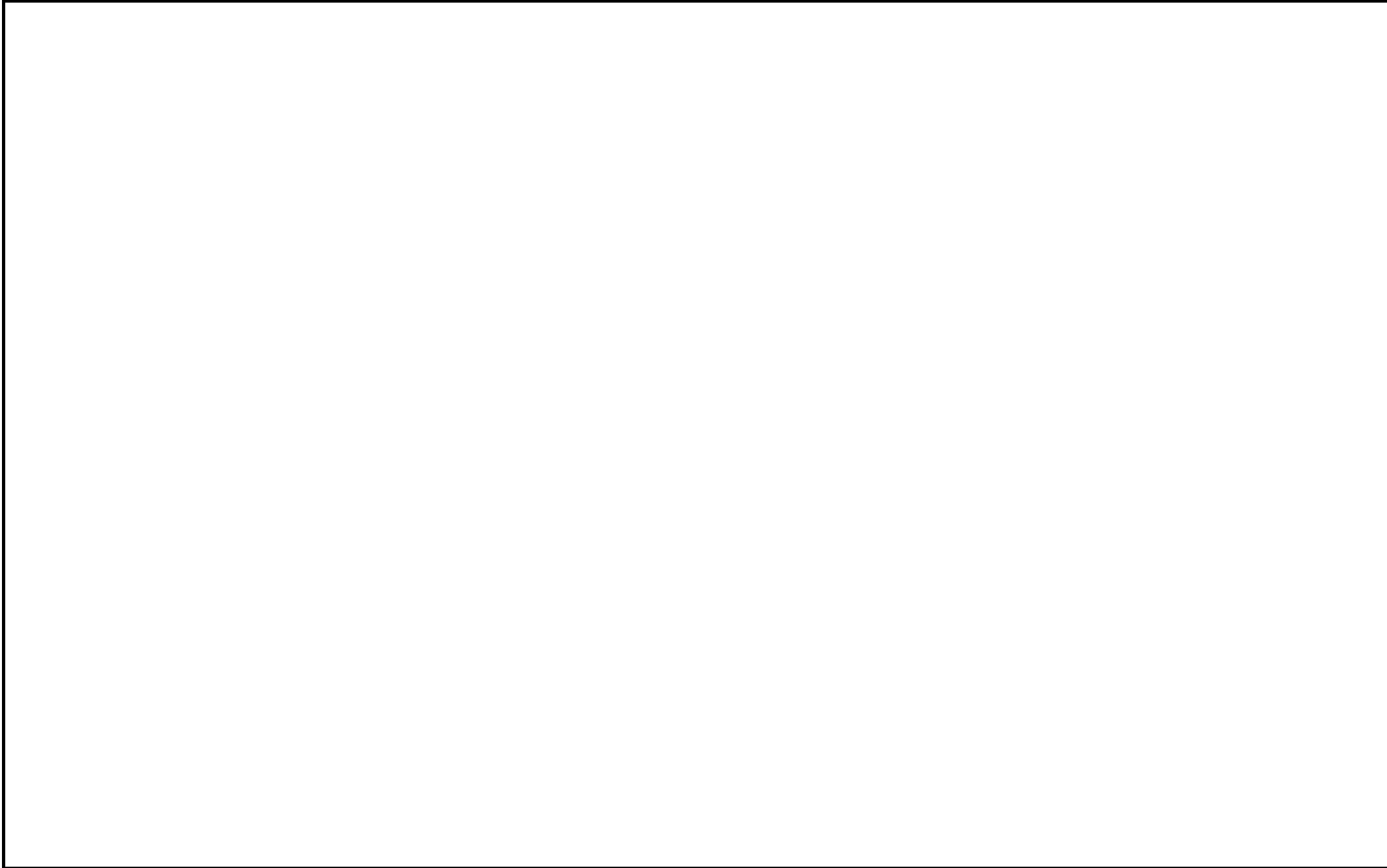
077622001 / C107622001

* NEW PART

X AS REQUIRED









KTM-Sportmotorcycle AG
A-5230 Mattighofen
www.ktm.at

KTM Group Partner



3CF9799J8EN



Art.Nr.: 3CF9799J8EN 9/2009