

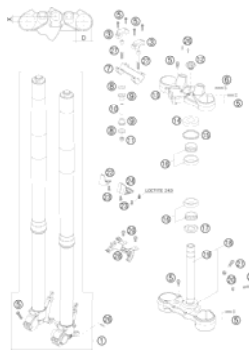
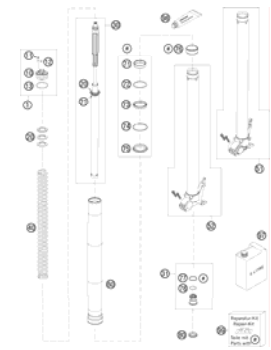
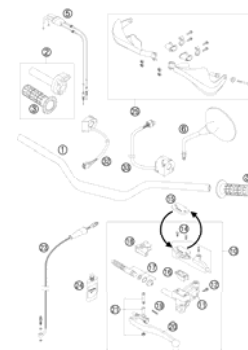
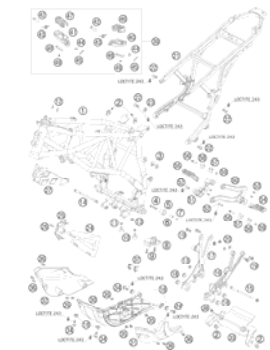
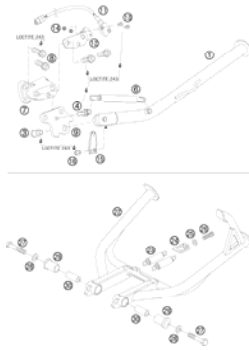
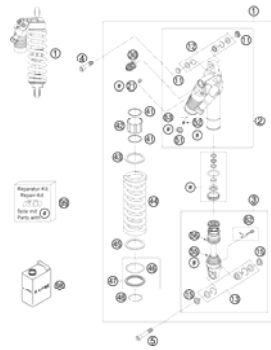
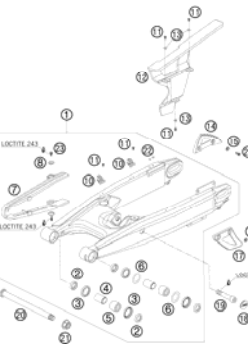

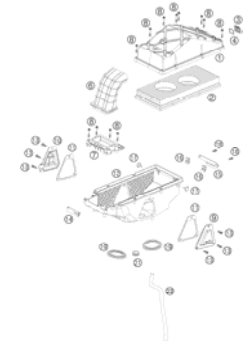

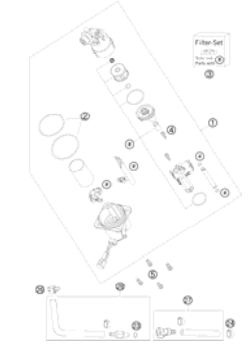
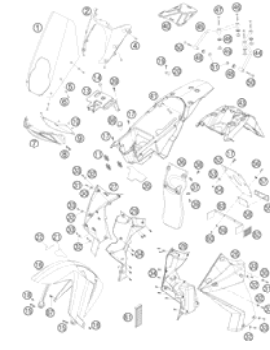
990 ADVENTURE BLACK ABS EU 2008


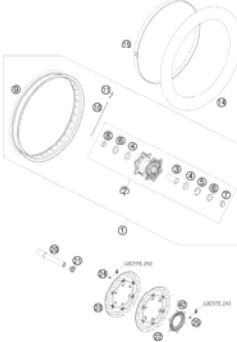


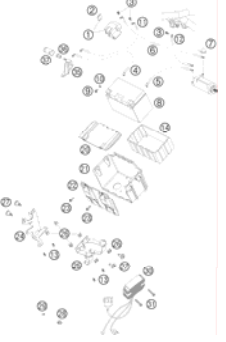

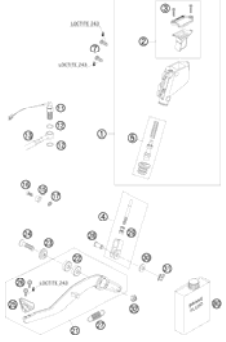
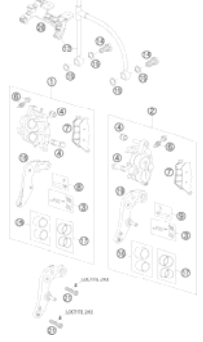
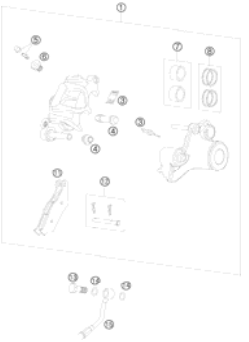
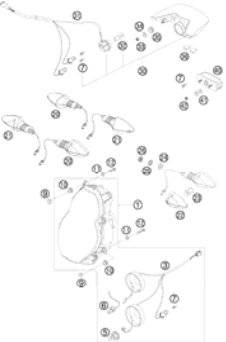


SPARE PARTS MANUAL: CHASSIS

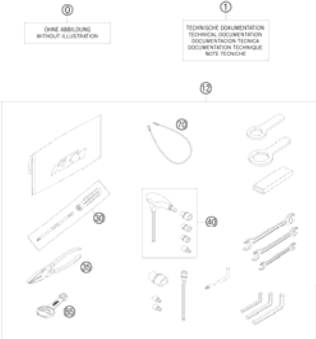
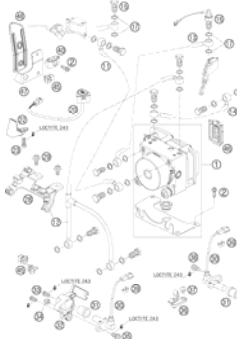
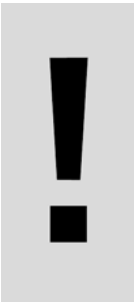
ART.NO.: 3CF9803H6EN

ENGLISH



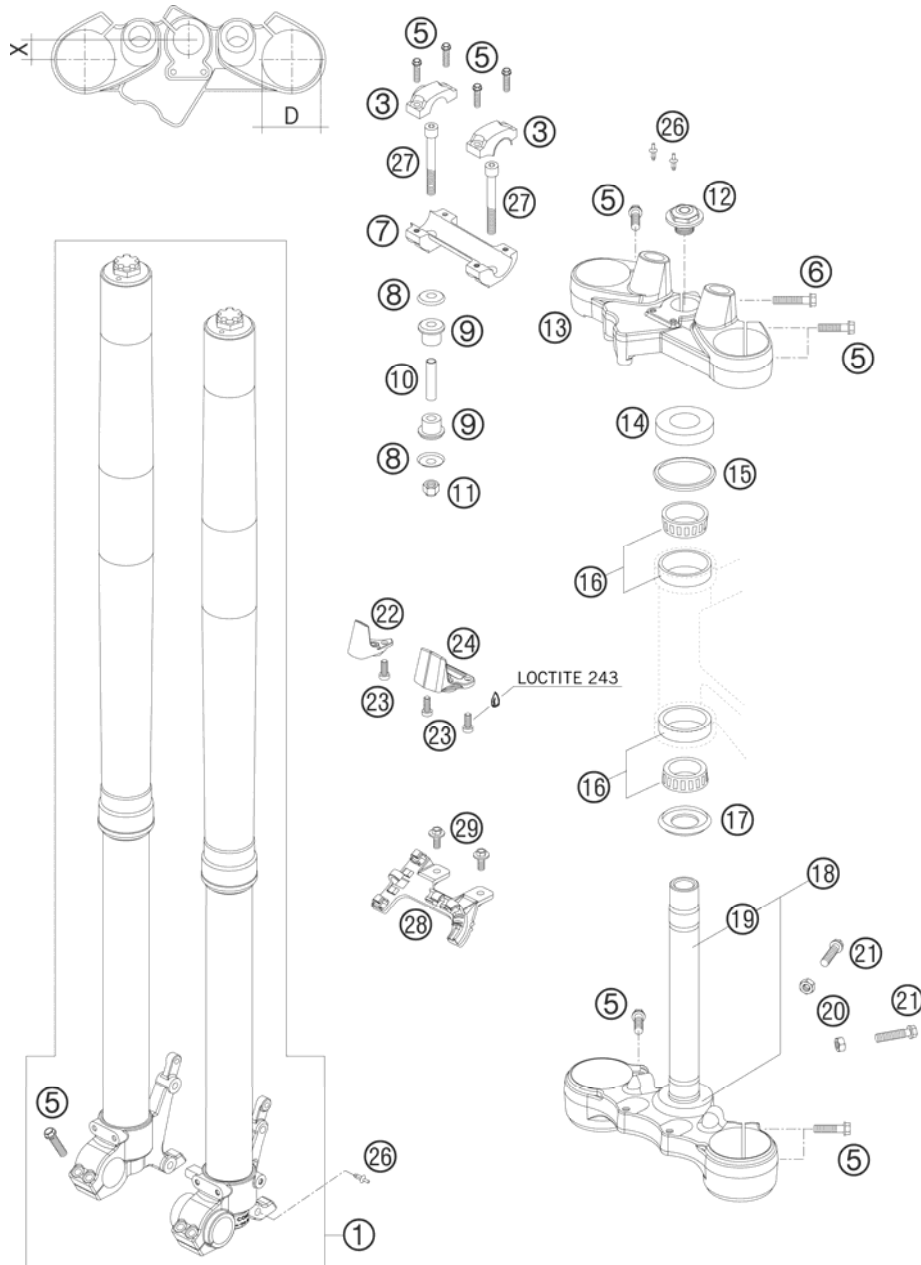
| | | | |
|--|---|---|--|
| <p>FRONT FORK, TRIPLE CLAMP</p>  <p>4</p> | <p>FRONT FORK DISASSEMBLED</p>  <p>5</p> | <p>HANDLEBAR, CONTROLS</p>  <p>6</p> | <p>FRAME</p>  <p>7</p> |
| <p>SIDE / CENTER STAND</p>  <p>9</p> | <p>MONOSHOCK</p>  <p>10</p> | <p>SWING ARM</p>  <p>11</p> | <p>EXHAUST SYSTEM</p>  <p>12</p> |
| <p>AIR FILTER</p>  <p>13</p> | <p>TANK, SEAT, COVER</p>  <p>14</p> | <p>FUEL PUMP</p>  <p>16</p> | <p>MASK, FENDERS</p>  <p>17</p> |

| | | | |
|---|--|--|--|
| <p>DECAL</p>  <p>19</p> | <p>FRONT WHEEL</p>  <p>20</p> | <p>REAR WHEEL</p>  <p>21</p> | <p>WIRING HARNESS</p>  <p>22</p> |
| <p>BATTERY</p>  <p>23</p> | <p>HAND BRAKE CYLINDER</p>  <p>24</p> | <p>REAR BRAKE CONTROL</p>  <p>25</p> | <p>BRAKE CALIPER FRONT</p>  <p>26</p> |
| <p>BRAKE CALIPER REAR</p>  <p>27</p> | <p>LIGHTING SYSTEM</p>  <p>28</p> | <p>INSTRUMENTS / LOCK SYSTEM</p>  <p>29</p> | <p>SPECIAL TOOLS</p>  <p>30</p> |

| | | | |
|--|---|--|--|
| <p>ACCESSORIES KIT</p>  <p>31</p> | <p>ANTIBLOCK SYSTEM ABS</p>  <p>32</p> | | |
| | | | |
| | <div style="display: flex; align-items: center;">  <p>All information contained is without obligation. KTM-Sportmotorcycle AG particularly reserves the right to modify any equipment, technical specifications, prices, colors, shapes, materials, services, service work, constructions, equipment and the like so as to adapt them to local conditions or to cancel any of the above items, all without previous announcement and without giving reasons. KTM may stop manufacturing certain models without previous notice. KTM shall not be held liable for any deviations of availability and/or ability to deliver, illustrations, descriptions, printing and/or other errors. The illustrated models partly contain extra equipment, which is not applied to standard models. © by KTM-SPORTMOTORCYCLE AG, Mattighofen AUSTRIA; All rights reserved; Reprint, also in extracts, with written allowance of KTM-SPORTMOTORCYCLE AG, Mattighofen only.</p> </div> | | |

FRONT FORK, TRIPLE CLAMP

990 ADVENTURE BLACK ABS EU 2008



| FIG | PART NUMBER | DESCRIPTION | QTY |
|-----|----------------|--------------------------------|-----|
| 1* | 14187D24 | FORK WP D48 ADVENTURE 08 | 1 |
| 3 | 5900103830001S | HANDLEBAR CLAMP 28MM 07 | 2 |
| 5* | 0025080306 | HH COLLAR SCREW M8X30 TX40 | 16 |
| 6* | 0025080356 | HH COLLAR SCREW M8X35 TX40 | 1 |
| 7 | 5900103920001S | HANDLEBAR SUPPORT 28MM 07 | 1 |
| 8 | 56401042000 | WASHER 10,5X32X2 | 4 |
| 9 | 56401040000 | RUBBER BUSHING | 4 |
| 10 | 56401041100 | SPACER TUBE 10,2X12X44 | 2 |
| 11 | 0982100003 | SELF LOCK.NUT DIN0982-M10 HIGH | 2 |
| 12 | 54801036200 | STEER.HEAD SCREW M20x1,5 SW=27 | 1 |
| 13 | 6000103401801S | TOP TRIPLE CLAMP X=18MM/D=54MM | 1 |
| 14 | 54201086000 | STEERING HEAD COVER | 1 |
| 15 | 54601184000 | STEERING HEAD GASKET TOP | 1 |
| 16 | 54201081100 | TAPERED ROLLER BEARING CPL. 06 | 2 |
| 17 | 54601084100 | O-RING SUPPORT W. SEALING LIP | 1 |
| 18 | 6000103201801S | BOTTOM TRIPLE CLAMP CPL. D=60 | 1 |
| 19 | 60001033000 | FORK TUBE LC8 ADV 03 | 1 |
| 20 | 0934080003 | HEXAGON NUT DIN0934-M 8 | 2 |
| 21 | 0933080253 | HH SCREW DIN0933-M 8X25 | 2 |
| 22 | 60101077000 | BRAKE HOSE GUIDE TOP 06 | 1 |
| 23 | 0012060164 | AH SCREW DIN6912 M6X16 SL | 3 |
| 24 | 60101079000 | CABLE GUIDE 06 | 1 |
| 26 | 60003088000 | PLASTIC CAP FOR M6 03 | 4 |
| 27 | 0984100703 | AH SCREW DIN6912-M10X70 | 2 |
| 28 | 60101078000 | BRAKE HOSE GUIDE LOWER 06 | 1 |
| 29* | 0024060156 | HH COLLAR SCREW M6X15 TX30 | 2 |

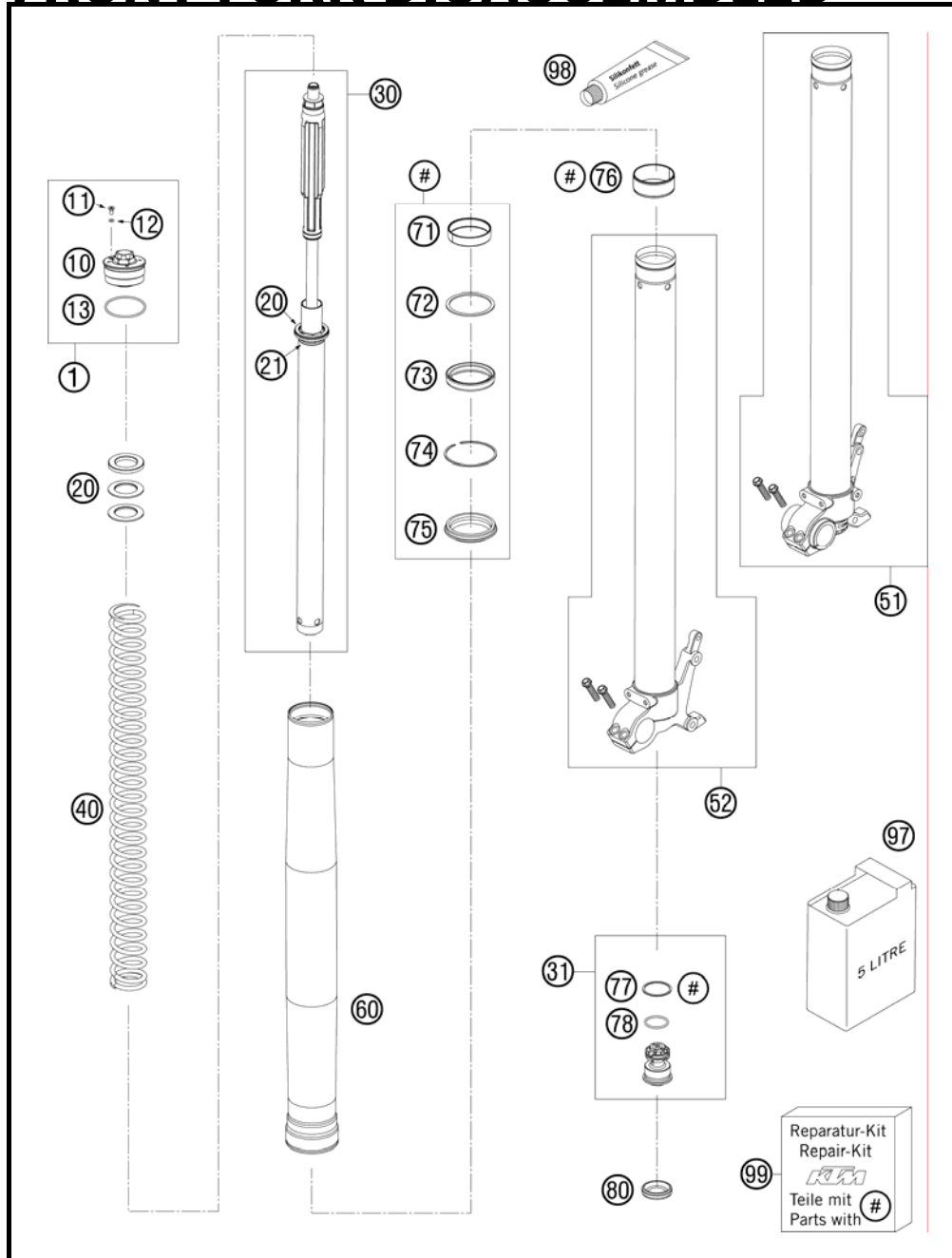
086010110 / C086010110

* NEW PART

X AS REQUIRED

FRONT FORK DISASSEMBLED

990 ADVENTURE BLACK ABS EU 2008



| FIG | PART NUMBER | DESCRIPTION | QTY |
|-----|-------------|--------------------------------|-----|
| 1 | 48600431S | PRE-LOAD ADJ. CPL. M51X1,5 05 | 2 |
| 10 | 48600431 | SCREW CAP M51X1,5 05 | 2 |
| 11 | 48600481 | VENT SCREW M4X8 | 2 |
| 12 | 48600046 | O-RING NBR 3X1,5 | 2 |
| 13 | 46810340 | O-RING NBR 45X2 | 2 |
| 20 | 48600036 | SPACER 42X26,5X2,5 | 2 |
| 20 | 48600037 | SPACER 42X26,5X5 | 2 |
| 20 | 48600053 | SPACER 42X26,5X1,5 | 2 |
| 21 | 48600021 | INTERM. RING 26,2 X 43 X 3 | 2 |
| 30 | 48600140S | CARDRIDGE CPL. ADV ABS 07 | 2 |
| 31 | 48600586S1 | TAP COMPRESSION CPL. 07 | 2 |
| 40 | 91410040S | SPRING 4,8N/MM SET D=5,25MM | 2 |
| 51 | 48600499S1 | AXLE CLAMP LEFT ADV. CPL. 07 | 1 |
| 52 | 48600500S1 | AXLE CLAMP RIGHT ADV. CPL. 07 | 1 |
| 60 | 48600422E | OUTER TUBE 610/54/60DARKGREY07 | 2 |
| 71 | 48600429 | DU-BUSH D48XD52X12DDL02 | 2 |
| 72 | 48600013 | SUPPORT RING 50 X 57,6 X 1,5 | 2 |
| 73 | 48600399 | OIL SEAL RING 48X57,8X9,5 | 2 |
| 74 | 48600070 | LOCK WASHER SB58 | 2 |
| 75 | 48600400 | DUST CAP D=48 58,4X11,8 | 2 |
| 76 | 48600428 | DU-BUSH D47XD49X20DDL02 | 2 |
| 77 | 48600004 | COPPER WASHER 29,5X33,5X1 | 2 |
| 78 | 35480320 | O-RING NBR 24X2 | 2 |
| 80 | 48600141 | RUBBER CAP D=35MM | 2 |
| 97 | 48600401S1 | FORK OIL SAE5 5L 2005 | 1 |
| 98 | T511 | SILICONE GREASE F. DUST STRI | 1 |
| 99 | R14013 | REPAIR-KIT EXC FRONT FORK06/07 | 1 |

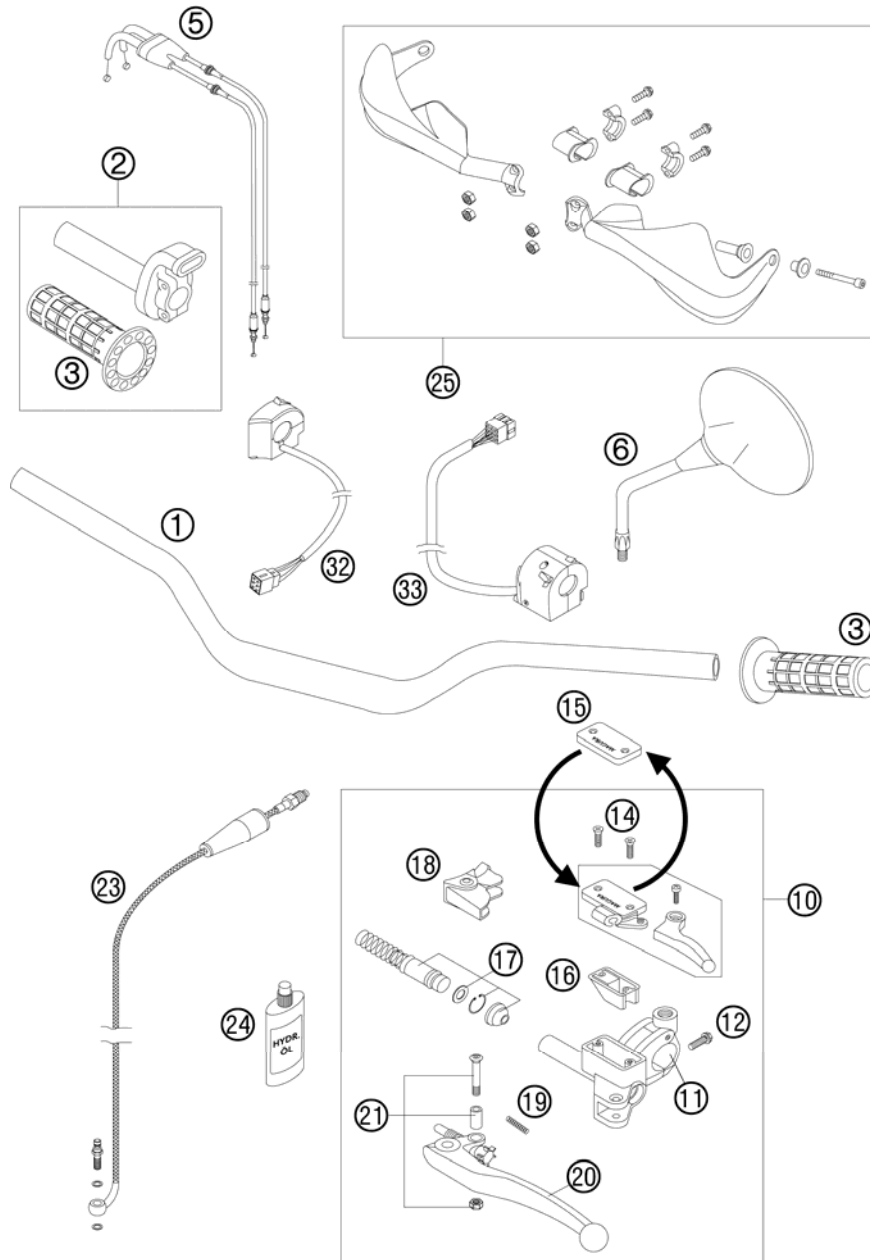
086010130 / C086010130

* NEW PART

X AS REQUIRED

HANDLEBAR, CONTROLS

990 ADVENTURE BLACK ABS EU 2008

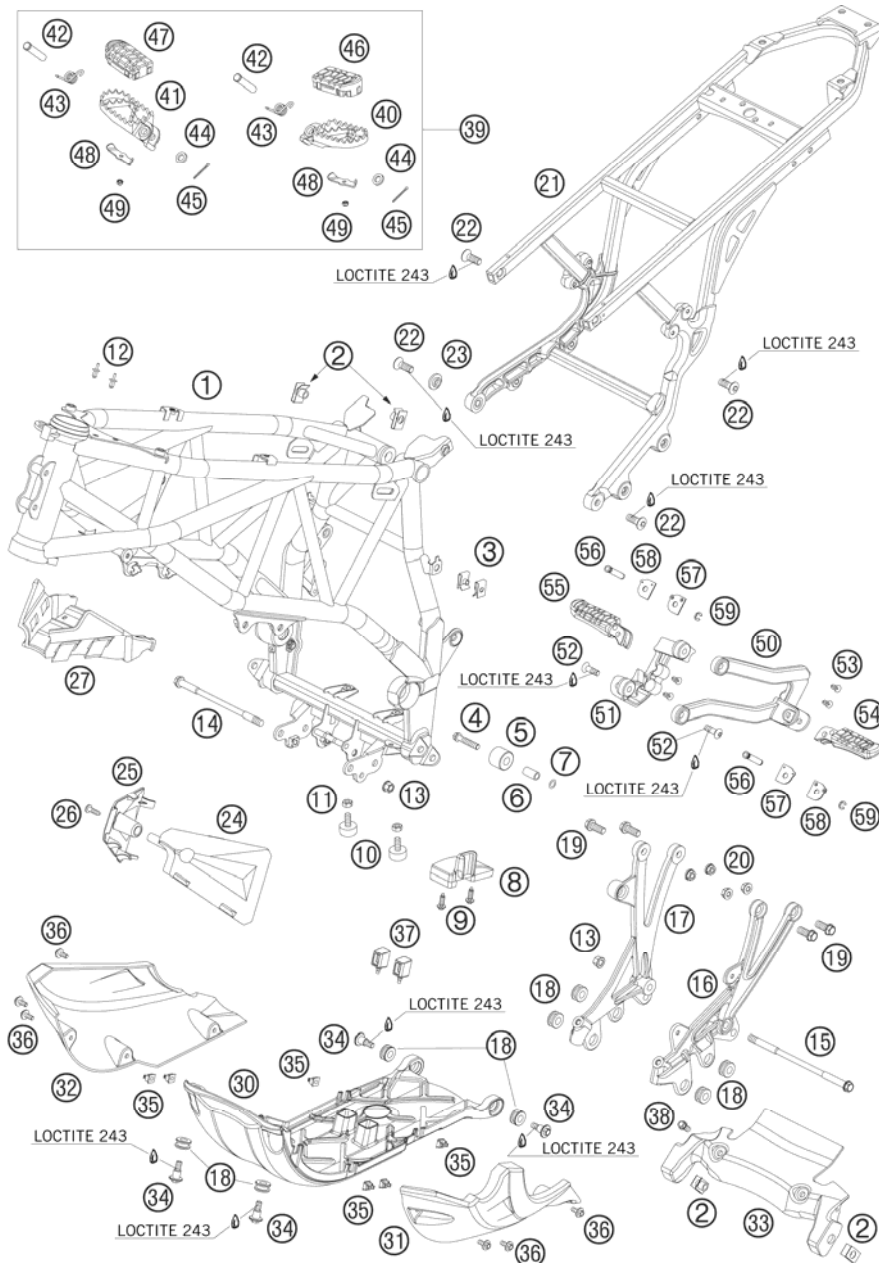


| FIG | PART NUMBER | DESCRIPTION | QTY |
|-----|---------------|---|-----|
| 1* | 60002001100 | HANDLEBAR D=28MM NEKEN '08 | 1 |
| 2 | 58702010000 | THROTTLE GRIP CPL. DUKE 2000 | 1 |
| 3 | 58302021100 | GRIPP SET | 1 |
| 5 | 60002091000 | THROTTLE CABLE LC8 ADV 2003 | 1 |
| 6 | 58412040100 | REAR MIRROR L/S+R/S LC4 2001 | 2 |
| 10 | 60002030000 | MASTER CYLINDER MAGURA D=10.5 COVER W. CHOKE LEVER SUPPORT | 1 |
| 11 | 60002044000 | CLAMP MIRROR WITH CLAMP | 1 |
| 12* | 0025060206 | HH COLLAR SCREW M6X20 TX30 | 1 |
| 14 | 0965040123 | FLAT HEAD SCREW DIN0965-M 4X12 | 2 |
| 15 | 50302033000 | COVER FOR HYDR. CLUTCH '98 | 1 |
| 16 | 50302034000 | RUBBER FOR RESERVOIR '98 | 1 |
| 17 | 50302032000 | REP.SET PISTON MAGURA D=10.5 | 1 |
| 18 | 50302037000 | PROTECT.CAP FOR LEVER PERCH'98 | 1 |
| 19 | 59002035000 | SPRING FOR CLUTCH LEVER '03 | 1 |
| 20 | 60002031000 | CLUTCH LEVER LONG CPL. 2003 | 1 |
| 21 | 50302038000 | LEVER SCREW CPL. 125-200 '98 | 1 |
| 23 | 60032063100 | CLUTCH PIPE LC8 ADV '03 | 1 |
| 24 | 50302036200 | OIL FOR HYD. CLUTCH 75ML | 1 |
| 25 | 6000207910030 | HANDGUARD L/S+R/S CPL.BLACK 04 | 1 |
| 32 | 60011074100 | START-STOP SWITCH '03 | 1 |
| 33 | 60011070000 | LIGHT SWITCH A.D. '03 | 1 |

086010210 / C086010210

* NEW PART

X AS REQUIRED

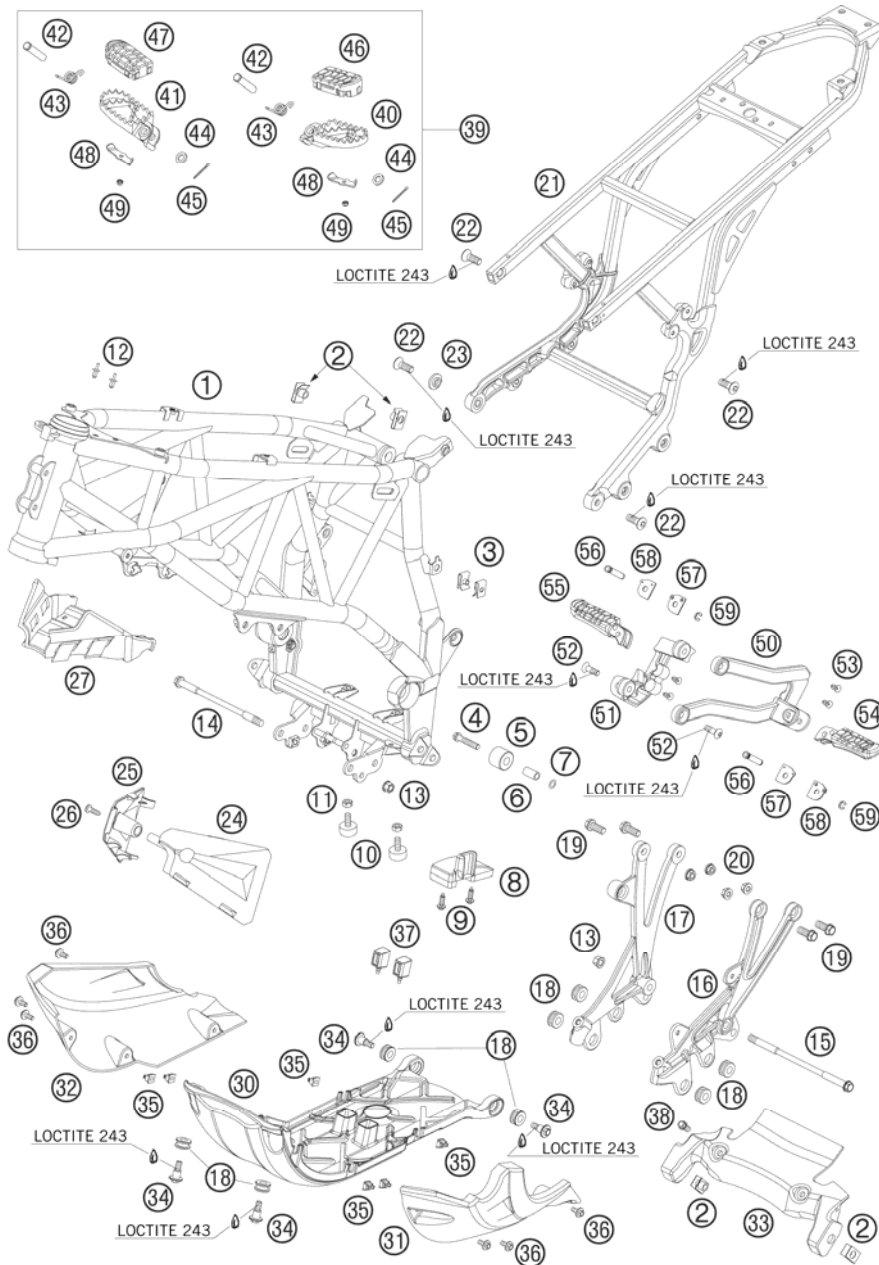


| FIG | PART NUMBER | DESCRIPTION | QTY |
|-----|----------------|--------------------------------|-----|
| 1 | 6010300110033 | FRAME "FD07" 990 ADVENTURE 07 | 1 |
| 2 | 54603048000 | RANGE CHANGE METAL NUT M8 | 4 |
| 3 | 54603048100 | RANGE CHANGE METAL NUT M6 | 2 |
| 4* | 0025080406 | HH COLLAR SCREW M8X40 TX40 | 1 |
| 5 | 58403060000 | CHAIN ROLL 12X29X22,5 '98 | 1 |
| 6 | 58403060065 | BUSH CHAIN ROLL 8X12X23 '98 | 1 |
| 7 | 36003014000 | LOCK WASHER 8MM | 1 |
| 8 | 60004076100 | CHAIN SLIDING BLOCK 05 | 1 |
| 9 | 0017060204 | EJOT PT SCREW K60X20 ALU WS=6 | 2 |
| 10 | 58303070100 | BUMP RUBBER M8X25MM | 2 |
| 11 | 0934080003 | HEXAGON NUT DIN0934-M 8 | 2 |
| 12 | 60003088000 | PLASTIC CAP FOR M6 03 | 2 |
| 13 | 54630044000 | COLLAR NUT M10 WS=13 | 2 |
| 14 | 60003013000 | ENGINE BRAC. SCREW M10X172 03 | 1 |
| 15 | 60003014000 | ENGINE BRAC. SCREW M10X206 03 | 1 |
| 16 | 60003005000 | ENGINE SUPPORT LEFT 03 | 1 |
| 17 | 60003006000 | ENGINE SUPPORT RIGHT 03 | 1 |
| 18 | 60003098000 | RUBBER SLEEVE 03 | 8 |
| 19* | 0035100249 | AH-COLLAR SCREW M10X24 ISA45 | 4 |
| 20 | 54310086100 | SELF LOCKING NUT M10 CU WS=14 | 4 |
| 21 | 6000300200092 | SUB FRAME PLATINUM 07 | 1 |
| 22 | 60003004027 | FL.HEAD SCREW M10X1,25 L=27 03 | 4 |
| 23 | 60003001051 | COLLAR BUSHING 10X15X25X4 03 | 1 |
| 24 | 62503085000 | COVER FRAME L/S FRONT 05 | 1 |
| 25 | 62503086000 | COVER FRAME R/S FRONT 05 | 1 |
| 26 | 0081050181 | SCREW FOR PLASTIC K50X18 T20 | 1 |
| 27 | 60003087000 | SPLASH PROTECTOR FRAME 05 | 1 |
| 30 | 60003091000 | UNDERRIDE PROTECTION 03 | 1 |
| 31 | 60003092100 | UNDERRIDE PROTECTION LEFT 06 | 1 |
| 32 | 60003093100 | UNDERRIDE PROTECTION RIGHT 06 | 1 |
| 33 | 6000309400001S | LOWER TANK HOLDER FRONT 07 | 1 |
| 34 | 60003097000 | COLLAR SCREW M8 03 | 4 |
| 35 | 60003095000 | CAGE NUT M6 SL 4MM 03 | 6 |
| 36* | 0024060156 | HH COLLAR SCREW M6X15 TX30 | 6 |
| 37 | 60003096000 | VIBRATION DAMPER 03 | 2 |
| 38* | 0025080166 | HH COLLAR SCREW M8X16 TX40 | 2 |

086010310 / C086010310

* NEW PART

X AS REQUIRED



| FIG | PART NUMBER | DESCRIPTION | QTY |
|-----|----------------|--------------------------------|-----|
| 39 | 60003040033 | FOOTREST L/S+R/S CPL. | 03 |
| 40 | 59003040250 | FOOT PED L/S SILVER | 02 |
| 41 | 59003041250 | FOOT PED R/S SILVER | 02 |
| 42 | 54803044000 | BOLT FOR FOOT PED | 03 |
| 43 | 54603041000 | FOOTREST SPRING L/S & R/S | 03 |
| 44 | 0125100003 | WASHER DIN0125-A10,5 | 02 |
| 45 | 0094032253 | PIN DIN0094-3,2X25 STEEL | 02 |
| 46 | 60003040010 | FOOTREST RUBBER FRONT L/S | 03 |
| 47 | 60003041010 | FOOTREST RUBBER FRONT R/S | 03 |
| 48 | 60003044010 | CLOSING PANEL FRONT L/S R/S | 03 |
| 49 | 0985050003 | SELF LOCKING NUT DIN0985-M 5 | 02 |
| 50 | 6000304800001S | FOOTREST BRACKET REAR L/S | 07 |
| 51 | 6000304900001S | FOOTREST BRACKET REAR R/S | 07 |
| 52 | 0019080266S | COUNTER-SUNK SCREW ISA45 M8X26 | 04 |
| 53 | 54403135000 | PLASTIC CAP SFL10 | 04 |
| 54 | 60003050000 | FOOTREST CPL. L/S REAR | 03 |
| 55 | 60003051000 | FOOTREST CPL. R/S REAR | 03 |
| 56 | 60003044000 | BOLT FOR FOOTREST REAR | 03 |
| 57 | 60003152000 | ENGAGE PANEL FOOTREST L/S | 03 |
| 58 | 60003052000 | ENGAGE PANEL FOOTREST R/S | 03 |
| 59 | 0799060003 | TAB WASHER DIN6799-RS 6,0 | 02 |

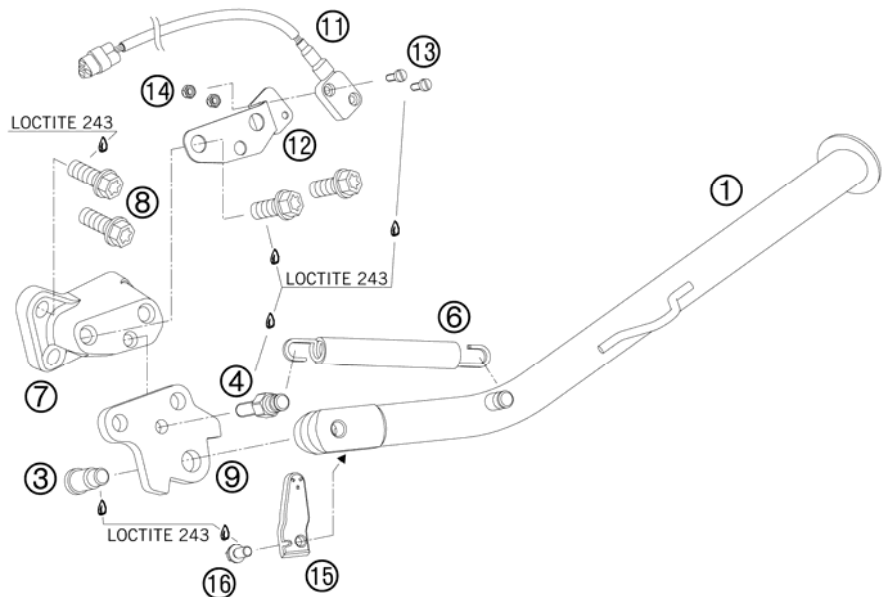
086010310 / C086010310

* NEW PART

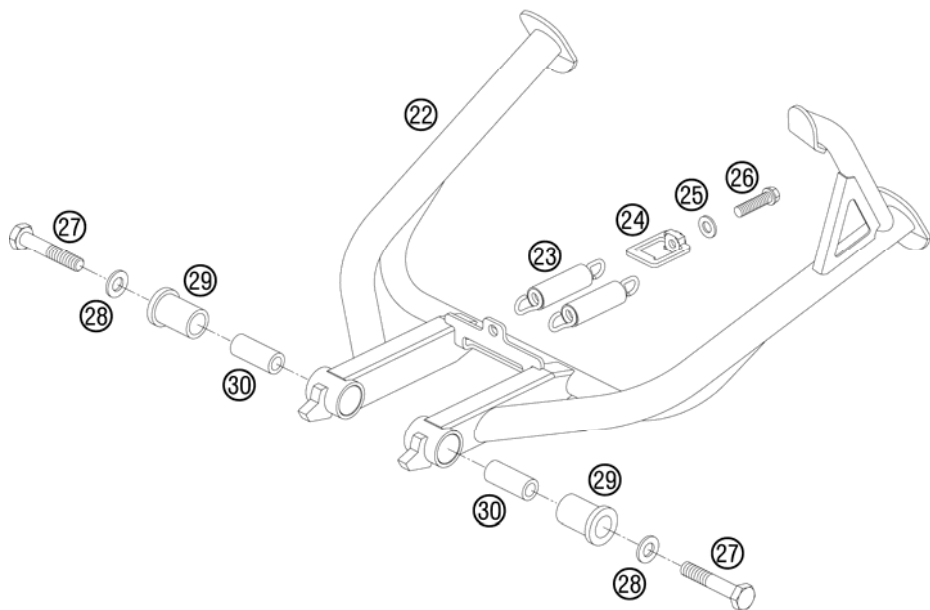
X AS REQUIRED

SIDE / CENTER STAND

990 ADVENTURE BLACK ABS EU 2008



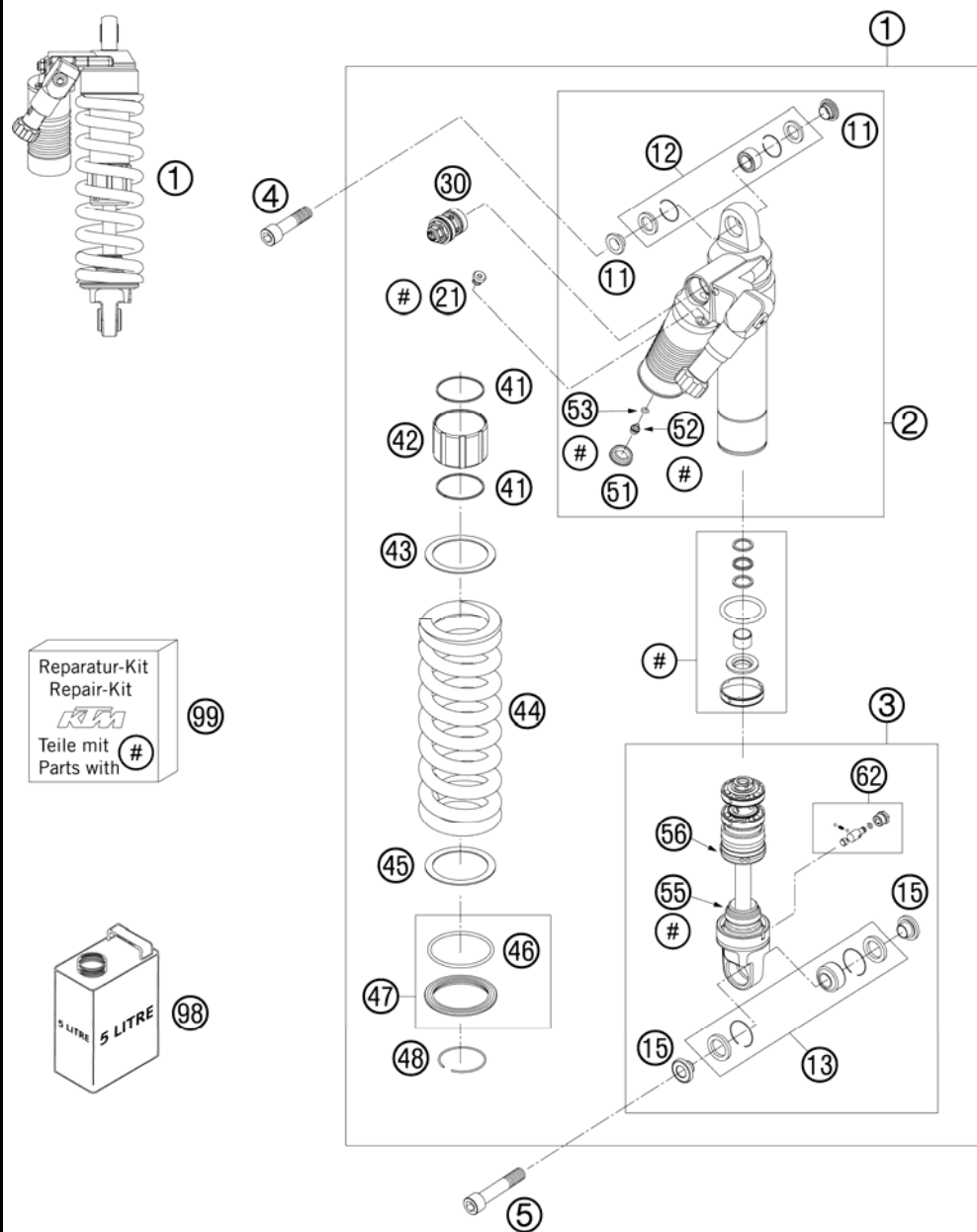
| FIG | PART NUMBER | DESCRIPTION | QTY |
|-----|---------------|--------------------------------|-----|
| 1 | 6010302310030 | SIDE STAND L=302MM 06 | 1 |
| 3 | 62503027100 | SCREW F. SIDE STAND M10X31,2 | 1 |
| 4 | 61003028001 | SCREW SIDE STAND SPRING 05 | 1 |
| 6 | 61003024000 | SPRING L=116 MM 05 | 1 |
| 7 | 60003026000 | SIDE STAND BRACKET 03 | 1 |
| 8* | 0035100309S | AH-COLLAR SCREW M10X30 ISA45 | 2 |
| 9 | 60103028000 | SIDE STAND PICKUP 06 | 1 |
| 10* | 0035100249 | AH-COLLAR SCREW M10X24 ISA45 | 2 |
| 11 | 61011045000 | SIDE STAND SENSOR 05 | 1 |
| 12 | 60103029000 | SUPPORT F.SIDE STAND SWITCH 06 | 1 |
| 13 | 0084040123 | CYL.HEAD SCREW DIN84A M4x12 | 2 |
| 14 | 0985040003 | SELF LOCKING NUT DIN0985-M 4 | 2 |
| 15 | 60103029050 | MAGNET HOLDER ADV. 06 | 1 |
| 16* | 0025060126 | HH COLLAR SCREW M6X12 TX30 | 1 |
| 22 | 6000302240030 | CENTER STAND L=333MM 05 | 1 |
| 23 | 60003030000 | SPRING FOR CENTER STAND 03 | 2 |
| 24 | 60003022115 | SPRING TENSIONER 03 | 1 |
| 25 | 0125080003 | WASHER DIN0125-A 8,4 | 1 |
| 26* | 0025080306 | HH COLLAR SCREW M8X30 TX40 | 1 |
| 27 | 56503093000 | SPECIAL SCREW M10X55 WS=17 | 2 |
| 28 | 0125100003 | WASHER DIN0125-A10,5 | 2 |
| 29 | 60003022020 | BEARING BUSH CENTER STAND 03 | 2 |
| 30 | 60003022021 | SPACER 10X16X38 MM 03 | 2 |



086010360 / C086010360

* NEW PART

X AS REQUIRED



| FIG | PART NUMBER | DESCRIPTION | QTY |
|-----|-------------|--------------------------------|-----|
| 1* | 12187D08 | MONOSHOCK 990 ADVENTURE | 08 |
| 2 | 50180412S1 | MONOSHOCK UPPER PART CPL. | 07 |
| 3 | 50180358S3 | MONOSHOCK LOWER PART CPL. | 07 |
| 4 | 60004016000 | SCREW M14X1,5 L=55MM | 03 |
| 5 | 60004017000 | SCREW M14X1,5 L=73MM | 03 |
| 11 | 50180366 | ADAPTOR BUSH KGW 14X24 | 2 |
| 12 | R12012 | REP. KIT BEAR./SEAL UP. | 07 |
| 13 | R12013 | REP. KIT BEAR./SEAL LOWER ADV | 07 |
| 15 | 50180365 | ADAPTOR BUSH KGW D=32 14X32 | 2 |
| 21 | 50180095 | BLEED PLUG R 1/8 | 1 |
| 30 | 50180213S4 | DCC-COMPR.DAMP.CONTROL CPL. | 03 |
| 41 | 50180133 | CIRCLIP 50X1,5 | 2 |
| 42 | 50180081 | SPRING GUIDANCE L=40 | 1 |
| 43 | 50180114 | INTERM.RING SCREW SPRING RET. | 1 |
| 44 | 91210036 | SPRING 150-225 (62) D=14,5 | 1 |
| 45 | 50180402 | INTERM.RING SPRING RET. H=3,5 | 1 |
| 46 | 50180352 | O-RING VITON 66,27X3,53 | 1 |
| 47 | 50180463S | SPRING RET. D=80 W. O-RING | 05 |
| 48 | 50180273 | CIRCLIP 58,2X2 | 1 |
| 51 | 46811208 | RUBBER CAP "DO NOT OPEN" | 1 |
| 52 | 36120151 | SCREW PLUG M5X6 | 1 |
| 53 | 46810893 | O-RING NBR 5,28X1,78 | 1 |
| 55 | 50180276 | BUMP RUBBER WP60 D=18-26 | 1 |
| 56 | 50180165 | COVER D=50 | 1 |
| 62 | 50180434S | ADJUSTING SCREW REBOUND TRAVEL | 1 |
| 98 | 50180342S1 | SHOCK ABSORBER FLUID 5 LT '03 | 1 |
| 99 | R12008 | REPAIR-KIT GASKET 5018 PDS | 03 |

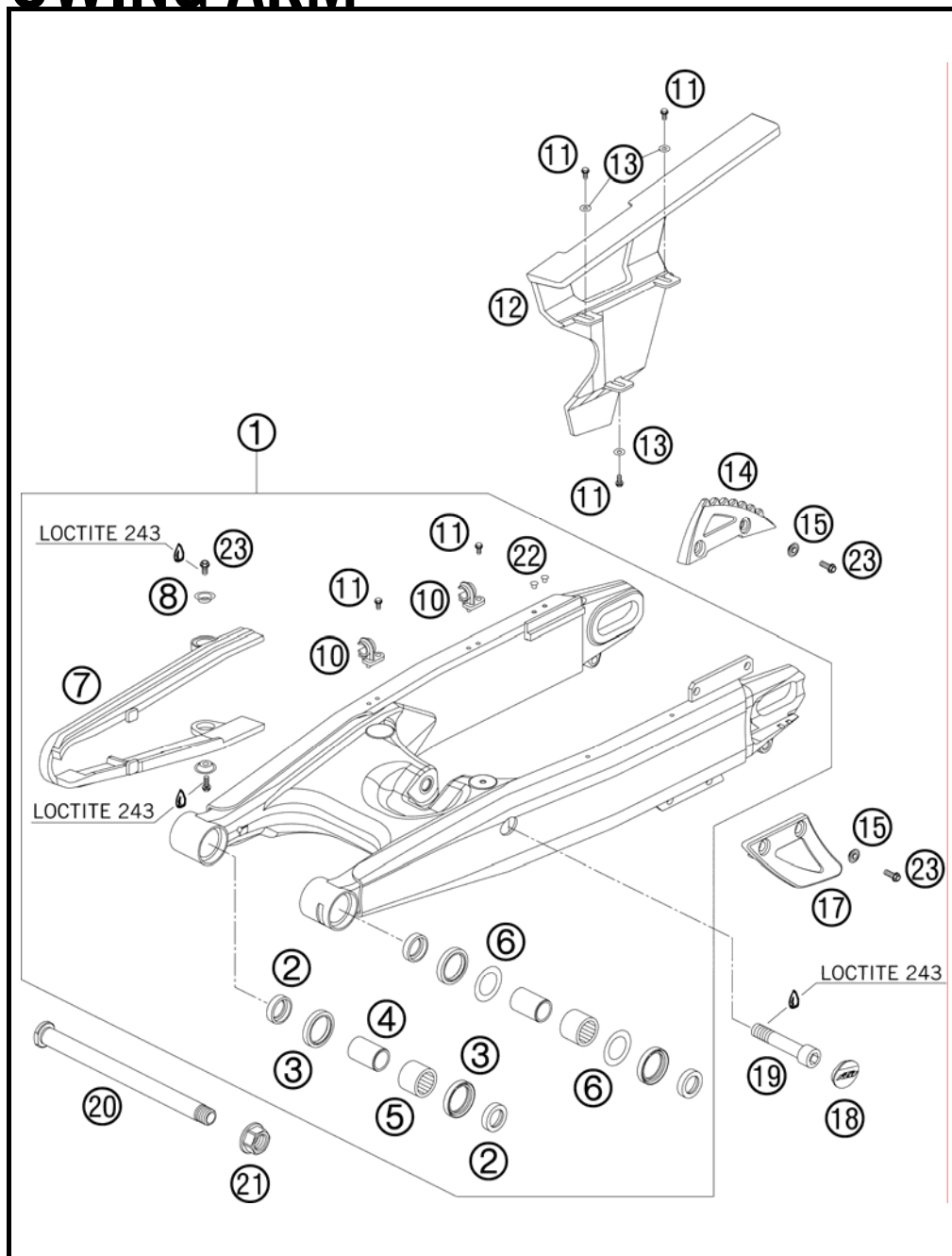
086010410 / C086010410

* NEW PART

X AS REQUIRED

SWING ARM

990 ADVENTURE BLACK ABS EU 2008



| FIG | PART NUMBER | DESCRIPTION | QTY |
|-----|-------------|--------------------------------|-----|
| 1 | 60004030244 | SWINGARM CPL. "G6" LC8 ADV. 06 | 1 |
| 2 | 60004034000 | BUCKET F. SHAFT SEAL RING 03 | 4 |
| 3 | 0760304073 | SHAFT SEAL RING 30X40X7 | 4 |
| 4 | 60004032000 | INNER RING JR20X25X38,5 03 | 2 |
| 5 | 60004031000 | NEEDLE BUSH HK2526B 03 | 2 |
| 6 | 60004033000 | STOP DISK 03 | 2 |
| 7 | 60004066000 | CHAIN SLID. GUARD SWINGARM 03 | 1 |
| 8 | 72210079000 | BUCKET | 2 |
| 10 | 60104042000 | RET. CLAMP F. BRAKE HOSE | 2 |
| 11 | 0009050103 | SPECIAL SCREW M 5,0X10 | 5 |
| 12 | 60004061100 | CHAINGUARD 06 | 1 |
| 13 | 0021050003 | WASHER DIN9021-A 5,3 | 3 |
| 14 | 60004075000 | REAR SPROCKET GUARD 03 | 1 |
| 15 | 50308053000 | BUSH FOR SPOILER 6X11X16X7,5 | 4 |
| 17 | 60004070000 | CHAIN GUIDE 03 | 1 |
| 18 | 60004041000 | PLUG SWINGARM 03 | 1 |
| 19 | 60004017000 | SCREW M14X1,5 L=73MM 03 | 1 |
| 20 | 60004037144 | SWINGARM BOLT CPL. 05 | 1 |
| 21 | 60004038000 | COLLAR NUT M19X1,5 WS=27MM 03 | 1 |
| 22 | 60104043000 | PLUG 06 | 2 |
| 23 | 59009062016 | SPECIAL SCREW M6X16 WS=8 10.9 | 6 |

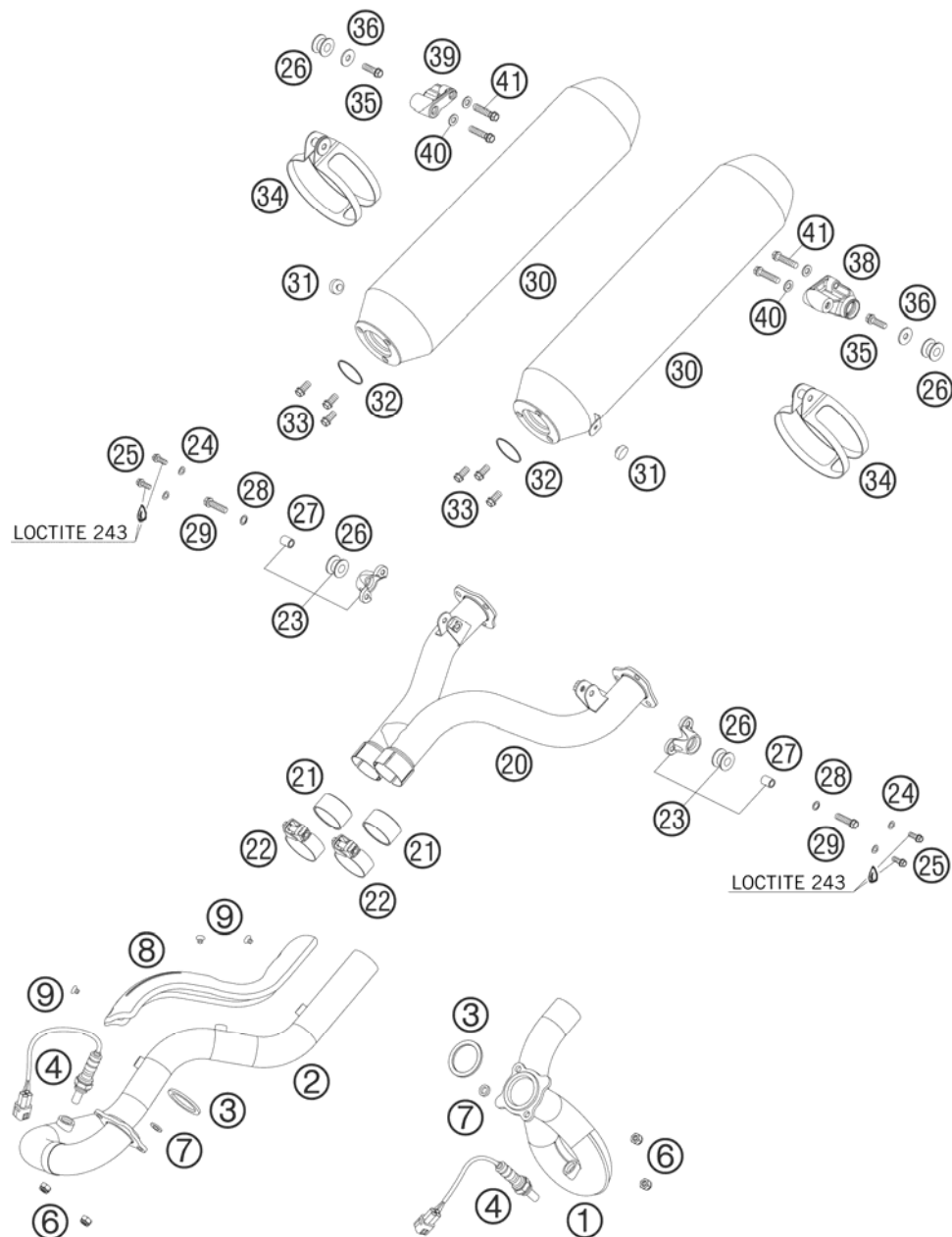
086010490 / C086010490

* NEW PART

X AS REQUIRED

EXHAUST SYSTEM

990 ADVENTURE BLACK ABS EU 2008



| FIG | PART NUMBER | DESCRIPTION | QTY |
|-----|----------------|--------------------------------|-----|
| 1 | 60105008000 | EXHAUST PIPE REAR 06 | 1 |
| 2 | 60105007000 | EXHAUST PIPE FRONT 06 | 1 |
| 3 | 61005005000 | EXHAUST GASKET 05 | 2 |
| 4 | 61041090000 | LAMBDA SENSOR 05 | 2 |
| 6 | 51010086100 | SELF LOCKING NUT M 8 CU | 4 |
| 7 | 0125080003 | WASHER DIN0125-A 8,4 | 2 |
| 8 | 60005011000 | THERMAL SHIELD 05 | 1 |
| 9 | 0991060082 | FLAT H.SCREW M6X8 DIN7991 NIRO | 3 |
| 20 | 60005048000 | DISTRIBUTOR TUBE LC8 03 | 1 |
| 21 | 60005005001 | GRAPHIT RING 42X47X25 03 | 2 |
| 22 | 60105051000 | CLAMP CPL. D=49,2MM 06 | 2 |
| 23 | 58405085044 | SILENCER BRACKET CPL. 2001 | 2 |
| 24 | 0137060003 | SPRING WASHER DIN0137-B 6 | 4 |
| 25* | 0025060206 | HH COLLAR SCREW M6X20 TX30 | 4 |
| 26 | 54305068100 | DAMP. COMPONENT SILICONE GREY | 4 |
| 27 | 56505069000 | SPACER BUSHING 8,4X12X16 | 2 |
| 28 | 36003014000 | LOCK WASHER 8MM | 2 |
| 29* | 0025080306 | HH COLLAR SCREW M8X30 TX40 | 2 |
| 30 | 60105083000 | SILENCER "990 A" 06 | 2 |
| 31 | 54308042000 | RUBBER BUFFER | 2 |
| 32 | 60005005002 | EXHAUST GASKET 03 | 2 |
| 33* | 0025080166 | HH COLLAR SCREW M8X16 TX40 | 6 |
| 34 | 60005095000 | CLAMP FOR SILENCER CPL. 03 | 2 |
| 35* | 0025080256 | HH COLLAR SCREW M8X25 TX40 | 2 |
| 36 | 0021080003 | WASHER DIN9021-A 8,4 | 2 |
| 38 | 6000508500001S | SILENCER/HANDLE HOLDER L/S 07 | 1 |
| 39 | 6000508600001S | SILENCER/HANDLE HOLDER R/S 07 | 1 |
| 40 | 0125080003 | WASHER DIN0125-A 8,4 | 4 |
| 41* | 0025080356 | HH COLLAR SCREW M8X35 TX40 | 4 |

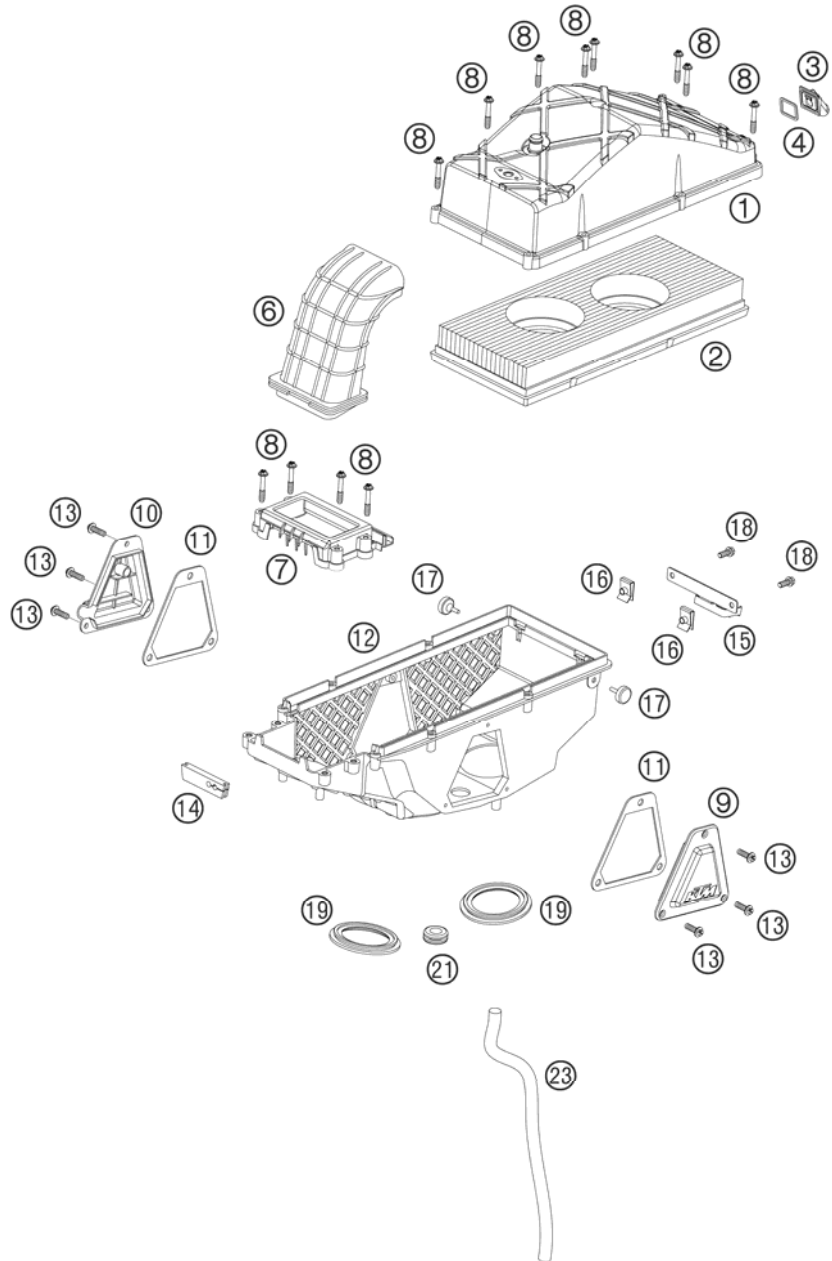
086010510 / C086010510

* NEW PART

X AS REQUIRED

AIR FILTER

990 ADVENTURE BLACK ABS EU 2008



| FIG | PART NUMBER | DESCRIPTION | QTY |
|-----|-------------|--------------------------------|-----|
| 1 | 61006002000 | AIRBOX COVER 990 DUKE | 04 |
| 2 | 61006015000 | AIR FILTER EFI | 05 |
| 3 | 60006007000 | CONNECTOR FOR SAS LC8 | 03 |
| 4 | 60006007050 | GASKET SAS CONNECTOR | 03 |
| 6 | 60006040000 | INTAKE SNORKEL | 03 |
| 7 | 60006004000 | AIRBOX FRONT PART LC8 | 03 |
| 8 | 60006006000 | SPECIAL SCREW K60X35/15 | 03 |
| 9 | 60006003002 | AIRBOX COVER L/S R/S | 03 |
| 10 | 61006003002 | AIRBOX COVER R/S EFI | 05 |
| 11 | 60006003050 | GASKET F. AIRBOX COVER L/S R/S | 03 |
| 12 | 61006001000 | FILTER BOX LOWER PART 990 | 05 |
| 13 | 0017060203 | EJOT PT SCREW K60X20 WS=6 | 05 |
| 14 | 61006001030 | RUBBER SLEEVE F. THR. CABLE | 05 |
| 15 | 61006001020 | SAS-BRACKET PANEL | 05 |
| 16 | 54603048100 | RANGE CHANGE METAL NUT M6 | 05 |
| 17 | 60006001021 | DISTANCE RUBBER AIRBOX | 03 |
| 18* | 0025060166 | HH COLLAR SCREW M6X16 TX30 | 03 |
| 19 | 60036045000 | RUBBER SLEEVE AIRBOX | 03 |
| 21 | 60006001041 | RUBBER SLEEVE FUEL HOSE | 03 |
| 23 | 57005020001 | HOSE 10X14 PER METER | X |

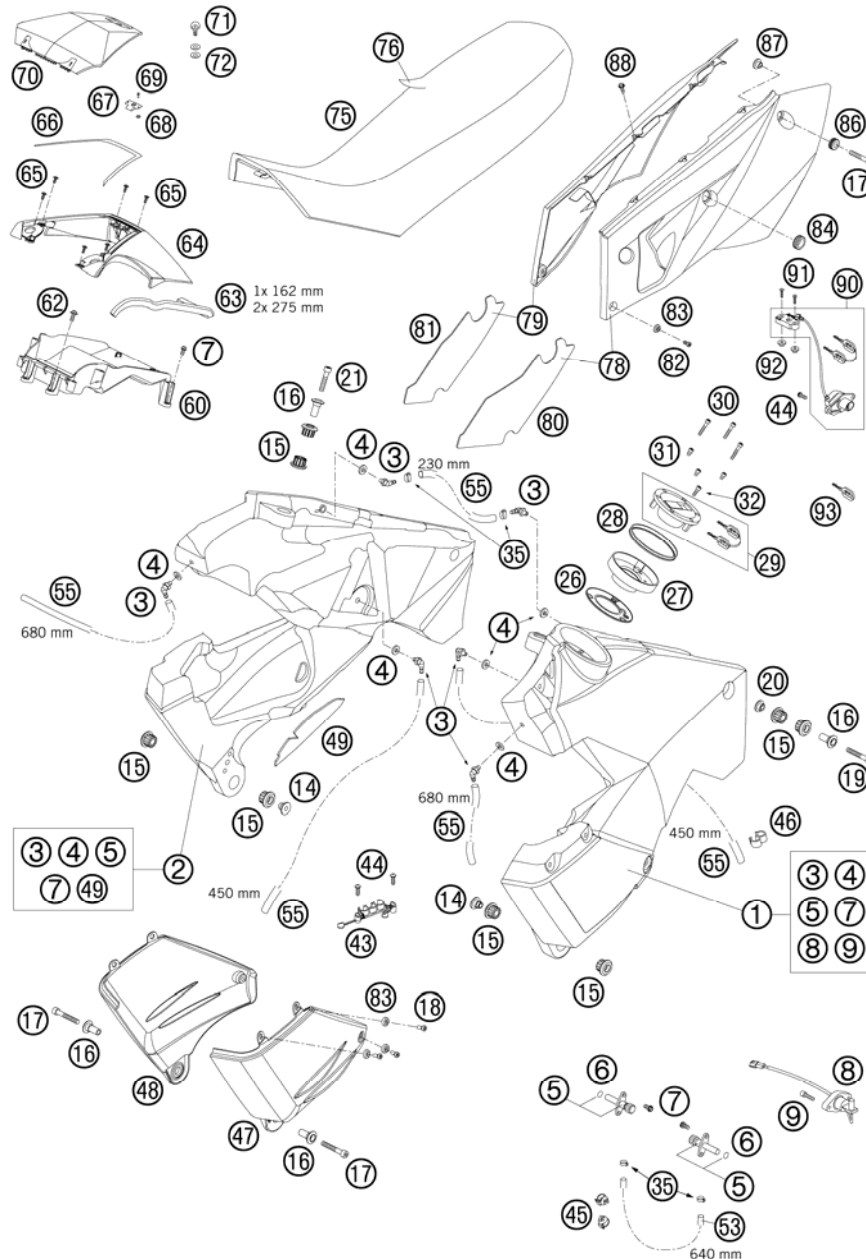
086010610 / C086010610

* NEW PART

X AS REQUIRED

TANK, SEAT, COVER

990 ADVENTURE BLACK ABS EU 2008



| FIG | PART NUMBER | DESCRIPTION | QTY |
|-----|----------------|--|-----|
| 1* | 6010701313351A | FUEL TANK L/S CPL. ANTHRACIT 07 DECAL OVER-COATED | 1 |
| 2* | 6010701314451A | FUEL TANK L/S CPL. ANTHRACIT 06 DECAL OVER-COATED | 1 |
| 3 | 60007024000 | CONNECT. PIECE F. OVERFLOW M7 03 | 4 |
| 4 | 60007024050 | GASKET FOR CONNECTING PIECE 03 | 4 |
| 5 | 58507003000 | FUEL COCK CPL. SMALL RALLYE'96 | 2 |
| 6 | 55007006200 | O-RING 11X1,8 NBR 70 | 2 |
| 7* | 0025060126 | HH COLLAR SCREW M6X12 TX30 | 6 |
| 8 | 58207080000 | GAS-LEVEL SENSOR ADV. 2002 | 1 |
| 9 | 0912050163 | AH SCREW DIN0912-M 5X16 | 2 |
| 14 | 60007062000 | BEAR. BUSH. INSIDE L=15,5MM 03 | 2 |
| 15 | 60007065000 | TANK RUBBER BUSHING 03 | 12 |
| 16 | 60007060000 | BEARING BUSHING OUTSIDE 03 | 6 |
| 17 | 0912080553 | AH SCREW DIN912 M8X55 | 4 |
| 18 | 0984060163 | AH SCREW DIN6912-M 6X16 | 6 |
| 19 | 0912080503 | AH SCREW DIN912 M8X50 | 2 |
| 20 | 60007061000 | BEARING BUSHING INSIDE 03 | 2 |
| 21 | 0912080403 | AH SCREW DIN912 M8X40 | 2 |
| 26 | 60007008051 | SEAL. FLANGE F. TANK INSERT 03 | 2 |
| 27 | 60007008150 | TANK INSERT 05 | 2 |
| 28 | 60007008052 | SEAL. RING F. TANK INSERT 03 | 2 |
| 29 | 60007008000 | TANK PLUG CPL. 03 | 2 |
| 30 | 0912050303 | AH SCREW DIN0912-M 5X30 | 6 |
| 31 | 0912050083 | AH SCREW DIN 912 M 5X8 | 6 |
| 32 | 0912050123 | AH SCREW DIN0912-M 5X12 | 2 |
| 35 | 58031005000 | CLAMP YDNAC 10128 12MM | 2 |
| 43 | 60011057000 | HOSE HOLDER TRIPLE 03 | 1 |
| 44 | 0081050181 | SCREW FOR PLASTIC K50X18 T20 | 4 |
| 45 | 57013072100 | WIRING HOLDER 16MM | 2 |
| 46 | 55011022100 | CLAMP D=6/8MM, BLACK | 1 |
| 47 | 60107013050 | TANK PROTECTOR L/S 06 | 1 |
| 48 | 60107113050 | TANK PROTECTOR R/S 06 | 1 |
| 49 | 60007095100 | THERMAL PROTECT. FOIL TANK 07 | 1 |
| 53* | 60007216001 | HOSE FPM 6X12 PER METER | x |
| 55 | 60007026001 | HOSE NBR 5,4X9,4 PER METER | x |

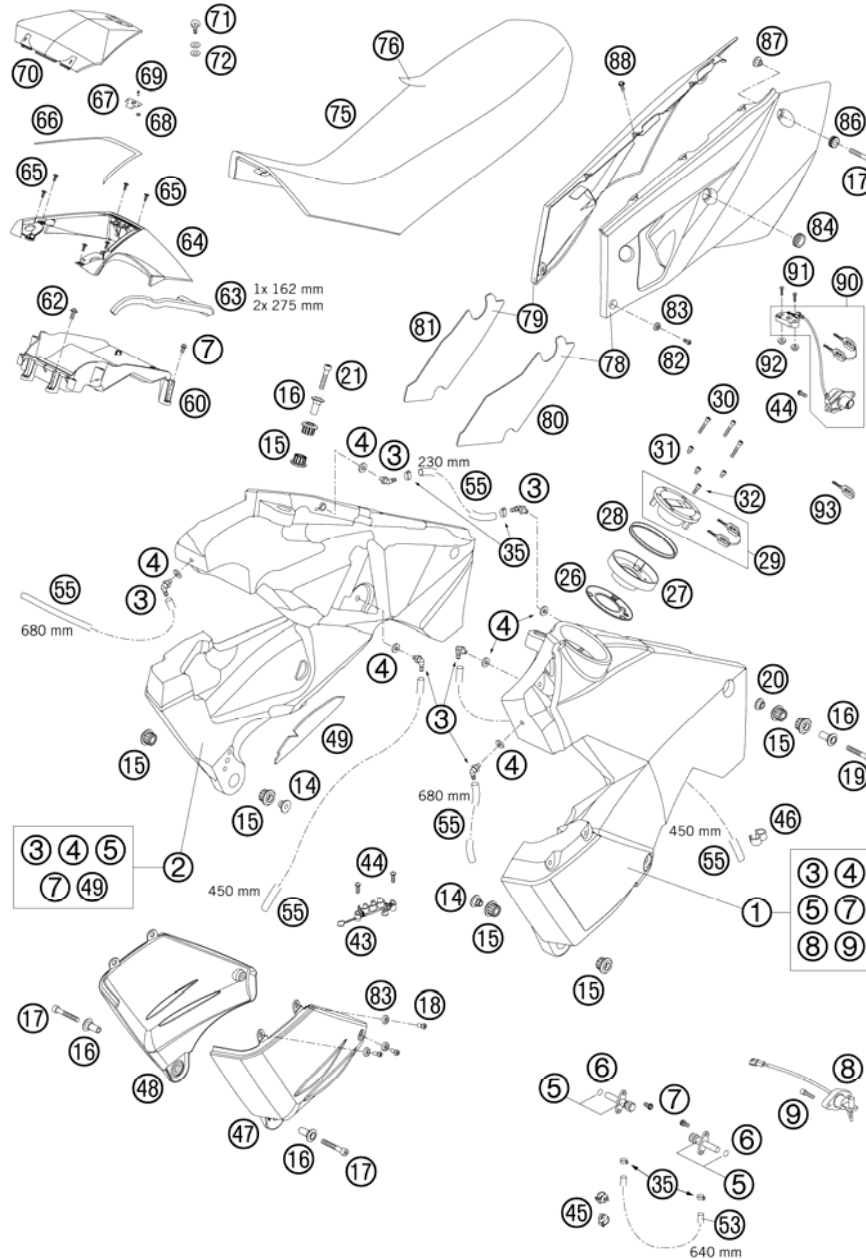
086010710 / C086010711

* NEW PART

X AS REQUIRED

TANK, SEAT, COVER

990 ADVENTURE BLACK ABS EU 2008



| FIG | PART NUMBER | DESCRIPTION | QTY |
|-----|----------------|---|-----|
| 60 | 60007023100 | STORAGE BOX BOTTOM PART 06 | 1 |
| 62* | 0024060156 | HH COLLAR SCREW M6X15 TX30 | 2 |
| 63 | 58312085100 | EDGE PROTECTOR PER METER | 1 |
| 64 | 6000701900051A | STOR.BOX CENT.PART ANTHRAC. 06 | 1 |
| 65 | 0016050121 | SCREW FOR PLASTIC 50X12 | 6 |
| 66 | 60007019050 | GASKET F.STOR.BOX CENT.PART 03 | 1 |
| 67 | 45007040050 | QUICK RELEASE LATCHPLATE | 1 |
| 68 | 0021030003 | WASHER DIN9021-A 3,2MM | 2 |
| 69 | 0011321000 | DUMMY RIVET 3,2X10 ALU | 2 |
| 70 | 6000702000051A | COVER F. STORAGE BOX ANTHRA.06 | 1 |
| 71 | 60007020030 | QUICK RELEASE PIN WITH RING 03 | 1 |
| 72 | 60007020040 | PLASTIC WASHER 03 | 2 |
| 75 | 6000704020030 | SEAT BLACK 05 | 1 |
| 76 | 6000704025030 | SEAT COVER BLACK 05 | 1 |
| 78 | 6000804100033A | SIDE COVER L/S REAR BLACK 06 DECAL OVER-COATED | 1 |
| 79 | 6010804200033A | SIDEPART RI. BACK BLACKMATT 08 DECAL OVER-COATED | 1 |
| 80 | 60008041150 | THER.PROT.FOIL SI. CO. L/S 07 | 1 |
| 81 | 60008042150 | THER.PROT.FOIL SI. COV. R/S 07 | 1 |
| 82 | 0984060163 | AH SCREW DIN6912-M 6X16 | 2 |
| 83 | 60008045000 | SPECIAL WASHER D=16,5MM 03 | 8 |
| 84 | 58707050050 | RUBBER SLEEVE F.SEAT LOCK '99 | 1 |
| 86 | 41001052000 | RUBBER SLEEVE D=12MM | 2 |
| 87 | 60012008002 | COLLAR BUSHING 8,2X12X20X9 03 | 2 |
| 88 | 0017060203 | EJOT PT SCREW K60X20 WS=6 | 6 |
| 90 | 60007050000 | SEAT LOCK LC8 ADV. 03 | 1 |
| 91 | 0738060301 | COU.SUNK SCR. AH ISO7380 M6X30 | 2 |
| 92 | 60008013050 | DISTANCE BUSH. 7X12X18X3,7 03 | 2 |
| 93 | 40011166100 | KEY BLANK LC4/DUKE/LC8 | x |

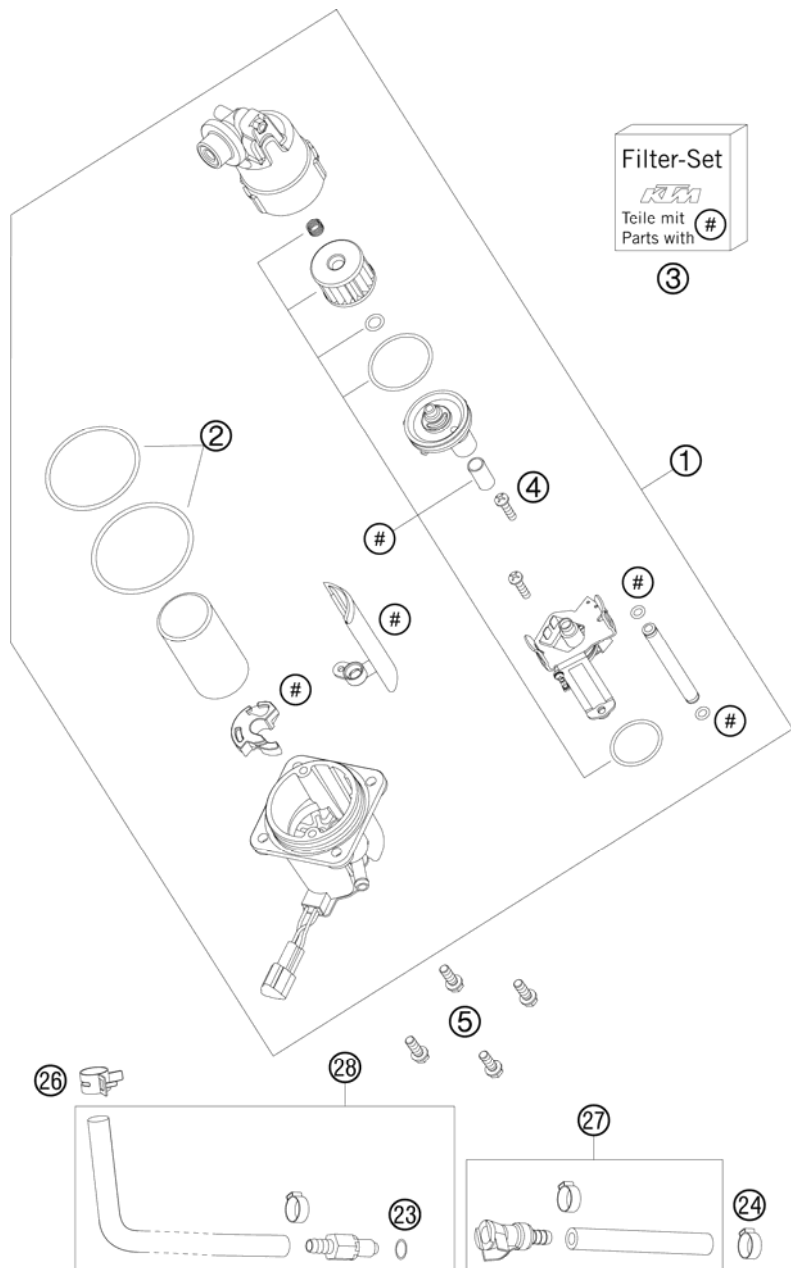
086010710 / C086010711

* NEW PART

X AS REQUIRED

FUEL PUMP

990 ADVENTURE BLACK ABS EU 2008



| FIG | PART NUMBER | DESCRIPTION | QTY |
|-----|-------------|-------------------------------|-----|
| 1 | 61007088100 | FUEL PUMP 06 | 1 |
| 2 | 61007089000 | O-RING SET FOR FUEL PUMP 05 | 1 |
| 3 | 61007090000 | FILTER-SET FUEL PUMP 05 | 1 |
| 4 | 61007091000 | SCREW FOR FILTER-SET 05 | 2 |
| 5* | 0025060166 | HH COLLAR SCREW M6X16 TX30 | 4 |
| 23 | 58507012000 | O-RING VITON F. PLUG CPC 05 | 1 |
| 24 | 00050153706 | VARIABLE ONE-EAR CLAMP 15,3MM | 1 |
| 26 | 00049140121 | CLAMP STD DN14 | 1 |
| 27* | 60107016151 | FUEL HOSE CPL. 08 | 1 |
| 28* | 60107016150 | FUEL HOSE 1 CPL. | 1 |

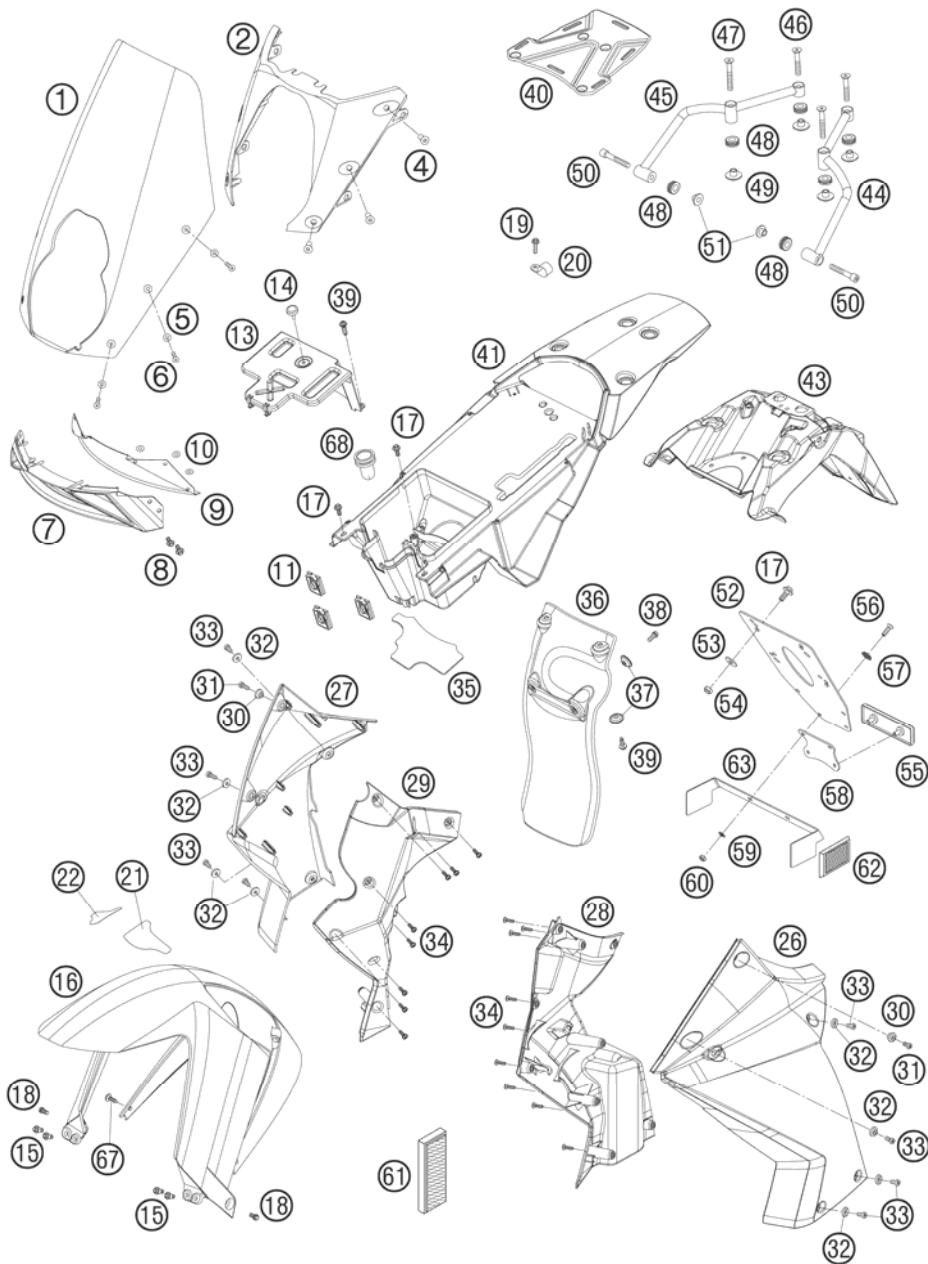
086010730 / C086010730

* NEW PART

X AS REQUIRED

MASK, FENDERS

990 ADVENTURE BLACK ABS EU 2008



| FIG | PART NUMBER | DESCRIPTION | QTY |
|-----|----------------|---|-----|
| 1 | 60008008000 | FAIRING SCREEN 03 | 1 |
| 2 | 60008001100 | HEAD LIGHT MASK 07 | 1 |
| 4 | 60008008050 | BLIND PLUG-IN NUT M5 WN 16A 03 | 6 |
| 5 | 60008046000 | SPECIAL WASHER D=12MM 03 | 6 |
| 6 | 0991050204 | FLAT HEAD SCREW DIN7991-M 5X20 | 6 |
| 7 | 60008011000 | AIR INTAKE 03 | 1 |
| 8* | 0024060106 | HH COLLAR SCREW M6X10 TX30 | 4 |
| 9 | 60008011060 | AIR INTAKE GRILL 03 | 1 |
| 10 | 60008011050 | SPRING NUT 012410 03 | 6 |
| 11 | 60108017010 | RUBBER SLEEVE 30X40 MM 06 | 3 |
| 13 | 60108017000 | COVER F. STORAGE COMP. REAR 06 | 1 |
| 14 | 60006001021 | DISTANCE RUBBER AIRBOX 03 | 1 |
| 15 | 59001092050 | SPECIAL SCREW M6X12,5 WS=8 | 4 |
| 16 | 6010801000033A | FENDER FRONT BLACK MATT 06 | 1 |
| 17* | 0024060156 | HH COLLAR SCREW M6X15 TX30 | 6 |
| 18* | 0025060106 | HH COLLAR SCREW M6X10 TX30 | 2 |
| 19* | 0081050181 | SCREW FOR PLASTIC K50X18 T20 | 4 |
| 20 | 57013070000 | PVC-CLAMP 7/16" HEYCO 3377 | 4 |
| 21 | 60108010060 | PROTECTIVE FILM L/S 06 | 1 |
| 22 | 60108010070 | PROTECTIVE FILM R/S 06 | 1 |
| 26 | 6000805000051A | SIDE COVER L/S ANTHRACITE 06 DECAL OVER-COATED | 1 |
| 27 | 6000805100051A | SIDE COVER R/S ANTHRACITE 06 DECAL OVER-COATED | 1 |
| 28 | 60008050150 | INNER COVER LEFT 07 | 1 |
| 29 | 60008051150 | INNER COVER RIGHT | 1 |
| 30 | 60008052000 | BUSH F. SIDE COVER 03 | 2 |
| 31 | 0984060163 | AH SCREW DIN6912-M 6X16 | 2 |
| 32 | 60008045000 | SPECIAL WASHER D=16,5MM 03 | 8 |
| 33 | 0012060123 | AH SCREW DIN6912 M6X12 | 8 |
| 34 | 0016050121 | SCREW FOR PLASTIC 50X12 | 17 |
| 35 | 60008013160 | THER.PROT.FOIL REAR FENDER 07 | 1 |
| 36 | 60006010100 | SPLASHBACK 08 | 1 |
| 37 | 72210079000 | BUCKET | 4 |
| 38* | 0025060166 | HH COLLAR SCREW M6X16 TX30 | 2 |
| 39 | 0017060203 | EJOT PT SCREW K60X20 WS=6 | 4 |

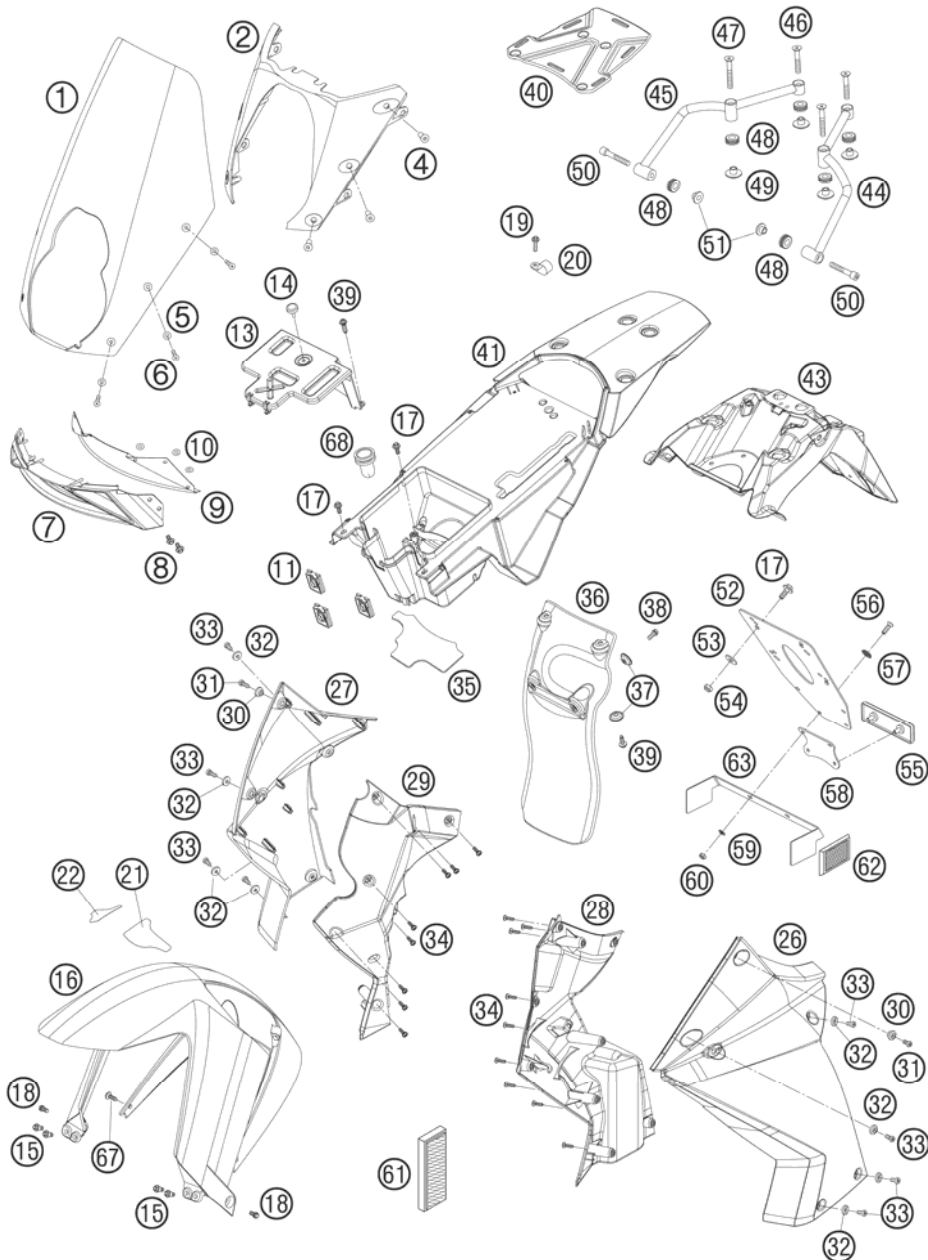
086010810 / C086010811

* NEW PART

X AS REQUIRED

MASK, FENDERS

990 ADVENTURE BLACK ABS EU 2008



| FIG | PART NUMBER | DESCRIPTION | QTY |
|-----|----------------|--------------------------------|-----|
| 40 | 6001201000001S | BAGGAGE RACK LC8 07 | 1 |
| 41 | 6010801300030 | REAR FENDER BLACK 06 | 1 |
| 43 | 60108015000 | LICENSE NUMBER CARRIER 06 | 1 |
| 44 | 60012008000 | HANDLE L/S 03 | 1 |
| 45 | 60012009000 | HANDLE R/S 03 | 1 |
| 46 | 0991080503 | FLAT HEAD SCREW DIN7991-M 8X50 | 2 |
| 47 | 0991080653 | FLAT HEAD SCREW DIN7991-M 8X65 | 2 |
| 48 | 41001052000 | RUBBER SLEEVE D=12MM | 6 |
| 49 | 60012008003 | COLLAR BUSHING 8,2X12X28X9 03 | 4 |
| 50 | 0912080553 | AH SCREW DIN912 M8X55 | 2 |
| 51 | 60012008002 | COLLAR BUSHING 8,2X12X20X9 03 | 2 |
| 52 | 60012081200 | LICENCE FITTING 06 | 1 |
| 53 | 0021060003 | WASHER DIN9021-A 6,4 | 4 |
| 54 | 0985060003 | SELF LOCK. NUT DIN0985-M 6 | 4 |
| 55 | 58412080000 | REFLECTOR RED LC4 '98 | 1 |
| 56 | 0966050163 | OVAL HEAD SCREW DIN0966-M 5X16 | 2 |
| 57 | 40006006000 | WASHER 6MM | 2 |
| 58 | 58412080050 | BRACKET FOR REFLECTOR | 1 |
| 59 | 0125050003 | WASHER DIN0125-A 5,3 | 2 |
| 60 | 0985050003 | SELF LOCKING NUT DIN0985-M 5 | 2 |
| 61 | 60012080000 | SIDE REFLECTOR YELLOW 03 | 2 |
| | | FOR USA+AUS ONLY | |
| 62 | 16512180100 | SIDE REFLECTOR RED REAR | 2 |
| | | FOR USA ONLY | |
| 63 | 62512081000 | BRACKET SIDE REFLECTOR 06 | 1 |
| | | FOR USA ONLY | |
| 67* | 0024060136 | HH COLLAR SCREW M6X13 TX30 | 2 |
| 68 | 50206020000 | RUBBER GRIMMET SLOTTED | 1 |

086010810 / C086010811

* NEW PART

X AS REQUIRED

DECAL

990 ADVENTURE BLACK ABS EU 2008

| FIG | PART NUMBER | DESCRIPTION | QTY |
|-----|-------------|-----------------------------|-----|
| 1 | 60108099100 | DECAL SET 990 ADV. BLACK 06 | 1 |



①

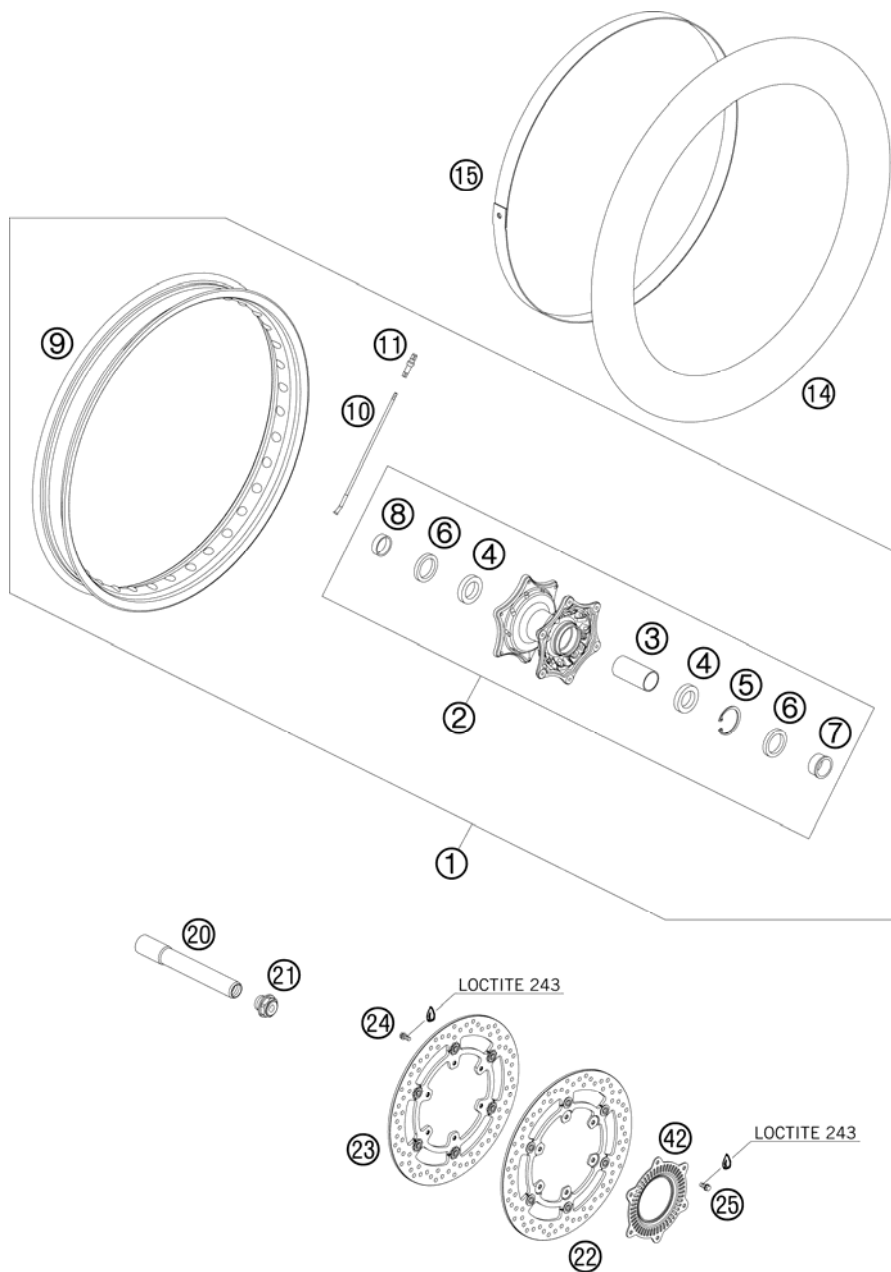
086010831 / C086010831

* NEW PART

X AS REQUIRED

FRONT WHEEL

990 ADVENTURE BLACK ABS EU 2008



| FIG | PART NUMBER | DESCRIPTION | QTY |
|-----|---------------|--------------------------------------|-----|
| 1 | 6000900114430 | FR. WHEEL CPL 2,15X21 BLACK 07 BLACK | 1 |
| 2 | 60009010044 | FRONT HUB CPL. 03 | 1 |
| 3 | 60009014000 | BEAR. SPACERTUBE FRONT 03 | 1 |
| 4 | 0625069068 | GR.BALL BEAR.6906 DDU2CG23S6NM | 2 |
| 5 | 0472047175 | CIRCLIP DIN0472-47X1,75 | 1 |
| 6 | 0760354771 | SHAFT SEAL RING 35X47X7 TC | 2 |
| 7 | 60009012000 | SPACER BUSH. FR. WHEEL L/S 03 | 1 |
| 8 | 60009013000 | SPACER BUSH. FR. WHEEL R/S 03 | 1 |
| 9 | 6000907010030 | RIM FRONT 2,15X21" BLACK 07 | 1 |
| 10 | 60009071000 | SPOKE M5X230,5 13,5 DEG | 36 |
| 11 | 58309072000 | SPOKE NIPPLE M5-TA (8X21MM) | 36 |
| 14 | 50309075000 | HOSE 21" | 1 |
| 15 | 60009073000 | RIM TAPE 21" 28/ 2MM 03 | 1 |
| 20 | 60009081000 | WHEEL SPINDEL FRONT 03 | 1 |
| 21 | 60009082000 | COLLAR SCREW FRONT AXLE 03 | 1 |
| 22 | 60109060100 | BRAKE DISK FRONT 300MM ABS 06 | 1 |
| 23 | 60109060000 | BRAKE DISK FRONT 300MM 06 | 1 |
| 24 | 59009062013 | SPECIAL SCREW M6X13 WS=8 10.9 | 6 |
| 25 | 59009062016 | SPECIAL SCREW M6X16 WS=8 10.9 | 6 |
| 42 | 60142020000 | SENSOR WHEEL FRONT 06 | 1 |

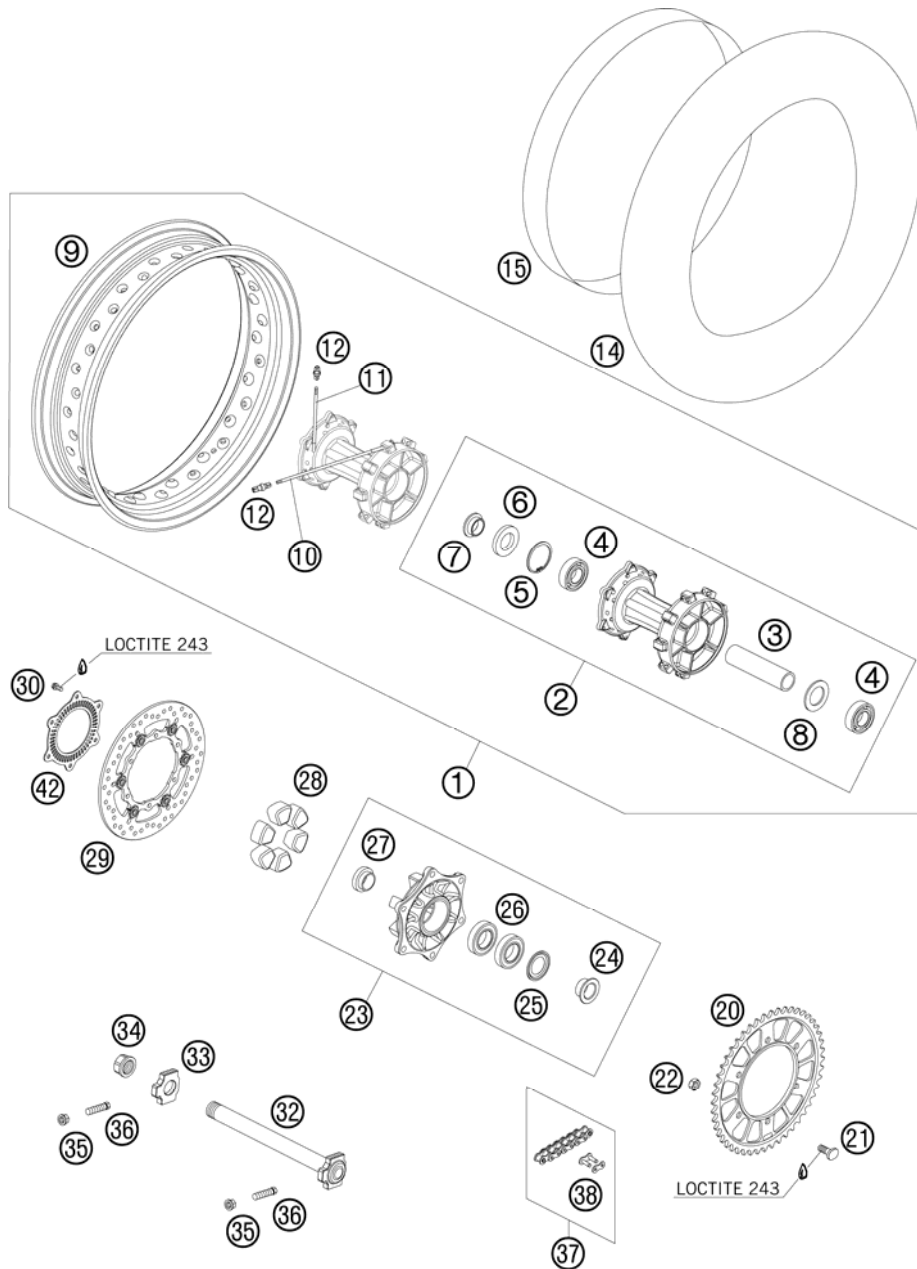
086010910 / C086010910

* NEW PART

X AS REQUIRED

REAR WHEEL

990 ADVENTURE BLACK ABS EU 2008



| FIG | PART NUMBER | DESCRIPTION | QTY |
|-----|---------------|--------------------------------|-----|
| 1 | 6011000114430 | R. WHEEL CPL. 4,25X18 BLACK 07 | 1 |
| 2 | 60110010044 | REAR HUB CPL. 06 | 1 |
| 3 | 60010011000 | BEAR. SPACERTUBE L=124,8MM 03 | 1 |
| 4 | 0625062052 | GR.BALL BEAR. 6205-2RSHC3HMTF7 | 2 |
| 5 | 0472052200 | CIRCLIP DIN0472-52X2 | 1 |
| 6 | 0760305271 | SHAFT SEAL RING 30X52X7 | 1 |
| 7 | 60110013000 | SPACER BUSH. REAR WHEEL R/S 06 | 1 |
| 8 | 60010015000 | SPACER RING 03 | 1 |
| 9 | 6001007020030 | RIM 4,25X18 BLACK | 1 |
| 10 | 60010171000 | SPOKE M5X219 19 DEG 03 | 18 |
| 11 | 60010071000 | SPOKE M5X194 10 DEG 03 | 18 |
| 12 | 58309072000 | SPOKE NIPPLE M5-TA (8X21MM) | 36 |
| 14 | 50310075100 | HOSE 110/100C-18 | 1 |
| 15 | 60010073000 | RIM TAPE 18" 50/2 03 | 1 |
| 20 | 60010051042 | REAR SPROCKET 42-T 03 | 1 |
| 20 | 60010051045 | REAR SPROCKET 45-T 03 | x |
| 21 | 60010052000 | SPROCKET SCREW M10X1,25 03 | 6 |
| 22 | 0980101253 | HEXAG.NUT DIN 980V M10X1,25 SL | 6 |
| 23 | 60110050044 | SPROCKET SUPPORT CPL. 06 | 1 |
| 24 | 60110012000 | SPACER BUSH. SPROCKET SUPP. 06 | 1 |
| 25 | 60110016000 | NILOS RING 6006AV | 1 |
| 26 | 0625060060 | BALL BEARING 6006 DDU2CG23S6NM | 2 |
| 27 | 60110014000 | SPACER BUSH. SPR. SUPP. IN. 06 | 1 |
| 28 | 54610459000 | DAMPING RUBBER '91 | 6 |
| 29 | 60110060000 | BRAKE DISK REAR D=240MM 06 | 1 |
| 30 | 59009062016 | SPECIAL SCREW M6X16 WS=8 10.9 | 6 |
| 32 | 60010081044 | WHEEL SPINDLE REAR CPL. 03 | 1 |
| 33 | 60010084000 | CHAIN TENSIONER R/S LC8 03 | 1 |
| 34 | 60010086000 | COLLAR NUT WH. SPINDLE REAR 03 | 1 |
| 35 | 58414030000 | HH COLLAR NUT M10X1,25 WS=13 | 2 |
| 36 | 50304040100 | SCREW M10X1,25X50 WS=10 | 2 |
| 37 | 60010365118 | CHAIN 525 INCL. MASTER LINK | 1 |
| | | RIVET TOOL NECESSARY | |
| 38 | 60010266000 | MASTER LINK FOR CHAIN 525 07 | x |
| 42 | 60142021000 | SENSOR WHEEL REAR 06 | 1 |

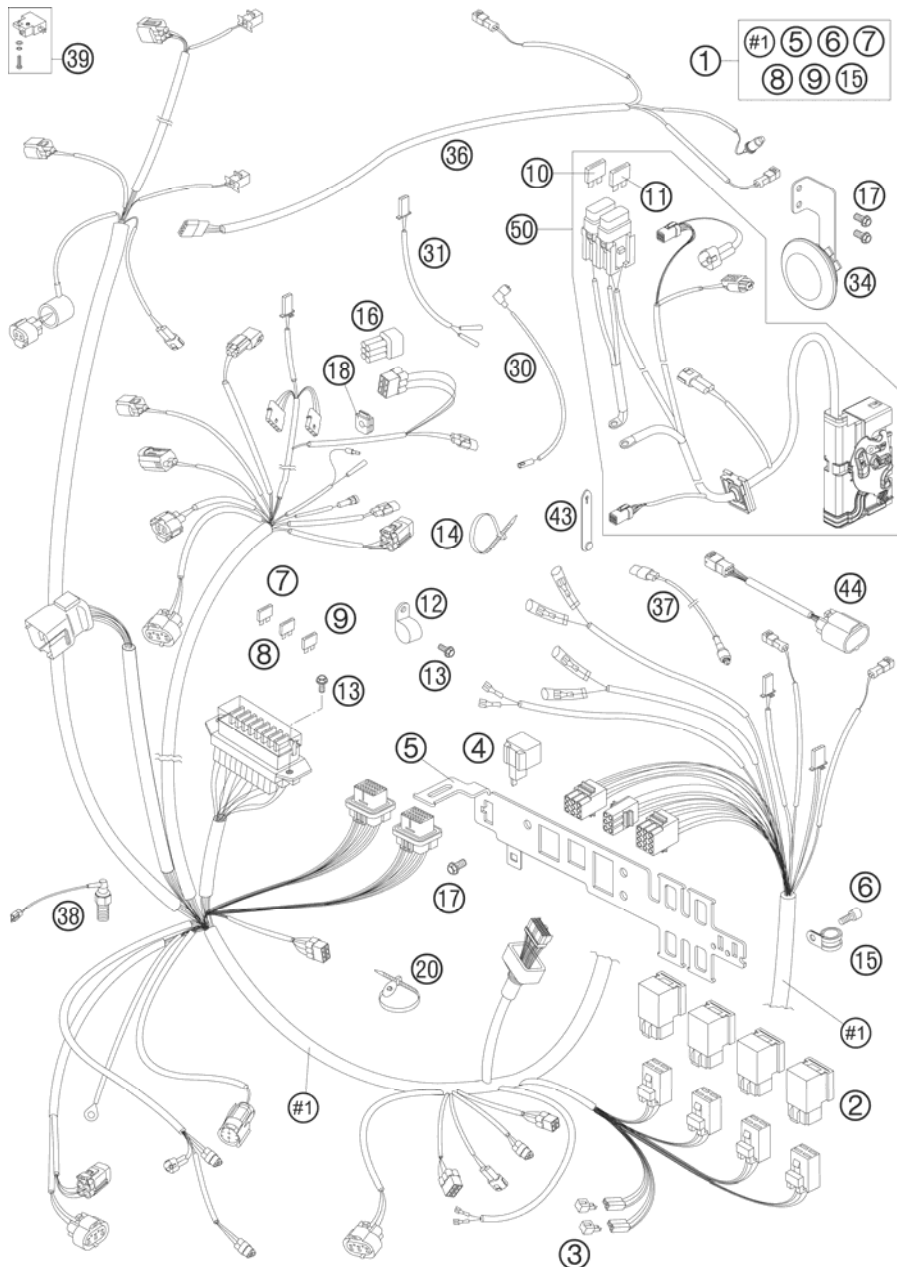
086011010 / C086011010

* NEW PART

X AS REQUIRED

WIRING HARNESS

990 ADVENTURE BLACK ABS EU 2008



| FIG | PART NUMBER | DESCRIPTION | QTY |
|-----|-------------|--|-----|
| 1 | 60111075200 | MAIN CABLE HARNESS 990 ADV. 07 | 1 |
| 2 | 61111057000 | RELAY CM1A-R-12V-H80 07 | 4 |
| 3 | 58411096100 | DIODE S3H-15 97 | 2 |
| 4 | 44611207200 | FLASHER UNIT 97 | 1 |
| 5 | 60111083000 | BRACKET FOR PLUGS 06 | 1 |
| 6 | 0912050123 | AH SCREW DIN0912-M 5X12 | 1 |
| 7 | 58011109105 | FUSE 5 A 2003 | x |
| 8 | 58011109110 | FUSE 10 A 2000 | x |
| 9 | 58011109115 | FUSE 15 A | x |
| 10 | 58011109125 | FUSE 25 A | x |
| 11 | 58011109140 | FUSE 40 A | x |
| 12 | 57013070400 | PVC CLAMP 17,4MM HEYCO 3381 | 1 |
| 13* | 0025050126 | HH COLLAR SCREW M5x12 TX30 | 3 |
| 14 | 44011076100 | CABLE TIE 100/2,5MM BLACK | x |
| 14 | 44011076200 | CABLE TIE 200/3,6MM BLACK | x |
| 14 | 44011076305 | CABLE TIE 300/4,8MM BLACK | x |
| 15 | 49007439000 | CLAMP RSGU 15/12 | 1 |
| 16 | 000700000BH | SPARE CONNECTOR BH 6-PINS DIAGNOSTIC PORT | 1 |
| 17* | 0025060106 | HH COLLAR SCREW M6X10 TX30 | 4 |
| 18 | 60108017015 | RUBBER SLEEVE 22X18 MM 06 | 1 |
| 20 | 60011193000 | CABLE TIE WITH PLUG 03 | 1 |
| 30 | 60011092000 | OIL-PRESSURE SWITCH CABLE 03 | 1 |
| 31 | 60011025000 | FLASHER CABLE FRONT 03 | 2 |
| 34 | 60011060100 | DC HORN 12V 06 | 1 |
| 36 | 60111076000 | WIRING HARNESS REAR 06 | 1 |
| 37 | 58411049100 | CLUTCH SWITCH 03 | 1 |
| 38 | 50311051100 | BRAKE LIGHT SWITCH REAR '98 | 1 |
| 39 | 60011050000 | BRAKE LIGHT SW. FRONT CPL. 03 | 1 |
| 43 | 60011093045 | RUBBER CABLE TIE 45MM 03 | x |
| 43 | 60011093060 | RUBBER CABLE TIE 60MM 03 | x |
| 43 | 60011093075 | RUBBER CABLE TIE 75MM 03 | x |
| 44 | 61111020000 | STARTER INTERLOCK | 1 |
| 50 | 60111079000 | WIRING HARNESS ABS 06 | 1 |

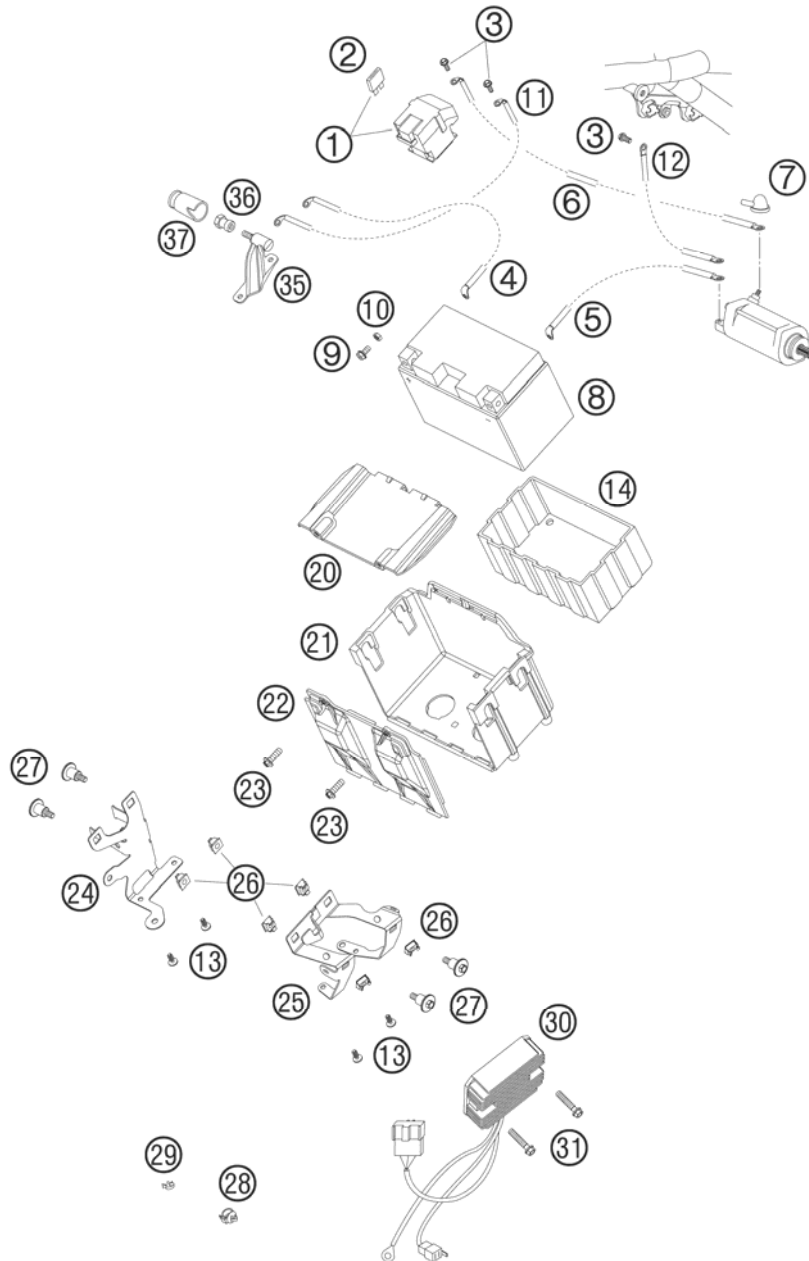
086011110 / C086011110

* NEW PART

X AS REQUIRED

BATTERY

990 ADVENTURE BLACK ABS EU 2008



| FIG | PART NUMBER | DESCRIPTION | QTY |
|-----|-------------|--------------------------------|-----|
| 1 | 60011058000 | STARTER RELAY 03 | 1 |
| 2 | 58011109130 | FUSE 30 A | x |
| 3* | 0025060106 | HH COLLAR SCREW M6X10 TX30 | 3 |
| 4 | 60011059050 | BATTERY CABLE L=350MM LC8 03 | 1 |
| 5 | 60011097000 | GROUND CABLE L=470MM 03 | 1 |
| 6 | 60011059000 | STARTERCABLE L=475MM LC8 03 | 1 |
| 7 | 60040009000 | RUBBER CAP STARTER PORT 03 | 1 |
| 8 | 60011053000 | BATTERY 12V/11AH 03 | 1 |
| 9* | 0024060106 | HH COLLAR SCREW M6X10 TX30 | 2 |
| 10 | 0934060003 | HEXAGON NUT DIN0934-M 6 | 2 |
| 11 | 60111059000 | BATTERY CABLE 250MM 06 | 1 |
| 12 | 60111097000 | GROUND CABLE 100MM 06 | 1 |
| 13 | 0016050121 | SCREW FOR PLASTIC 50X12 | 4 |
| 14 | 58411053050 | BATTERY COVER 96 | 1 |
| 20 | 60011054007 | BATTERY BOX TOP PART 03 | 1 |
| 21 | 60011054000 | BATTERY BOX 03 | 1 |
| 22 | 60011054006 | BATTERY BOX FRONT PART 03 | 1 |
| 23 | 0017060203 | EJOT PT SCREW K60X20 WS=6 | 2 |
| 24 | 60111056000 | BRACKET STARTER RELAY 06 | 1 |
| 25 | 60011055000 | BRACKET VOLTAGE REGULATOR 03 | 1 |
| 26 | 60011038000 | CAGE NUT M6 SL K100-1 1,5MM | 6 |
| 27 | 60038083000 | SCREW OIL TANK FIXING 03 | 4 |
| 28 | 58111076000 | CABLE SUPPORT KHS NR.150-47610 | 5 |
| 29 | 57013072100 | WIRING HOLDER 16MM | 2 |
| 30 | 60011034100 | VOLTAGE REGULATOR | 1 |
| 31* | 0025060306 | HH COLLAR SCREW M6X30 TX30 | 2 |
| 35 | 60111048000 | POSITIVE POL EXTENSION 06 | 1 |
| 36 | 60111048020 | HEXAGON NUT M6 SW=13 L=20 | 1 |
| 37 | 60111048035 | COVER CAP OUTER 06 | 1 |

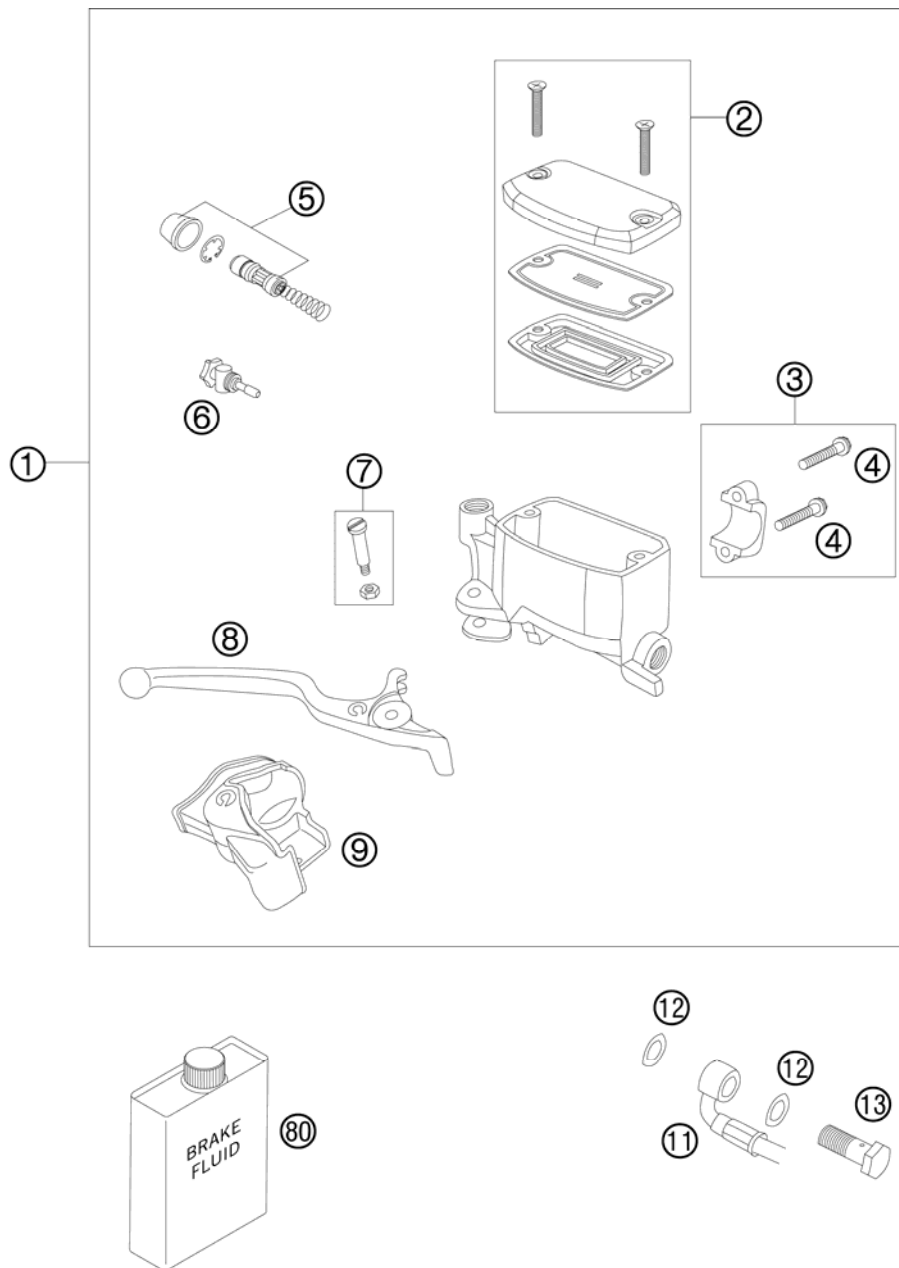
066011105 / C08601130

* NEW PART

X AS REQUIRED

HAND BRAKE CYLINDER

990 ADVENTURE BLACK ABS EU 2008



| FIG | PART NUMBER | DESCRIPTION | QTY |
|-----|-------------|--------------------------------|-----|
| 1 | 60013001000 | HAND BRAKE CYLINDER 03 | 1 |
| 2 | 60013003000 | HAND BRAKE CYL. COVER CPL. 03 | 1 |
| 3 | 60013005000 | CLAMP CPL. 03 | 1 |
| 4* | 0025060256 | HH COLLAR SCREW M6X25 TX30 | 2 |
| 5 | 60013008000 | REP.SET PISTON LC8 ADV 03 | 1 |
| 6 | 60013007000 | ADJUSTING SCREW CPL. LC8 ADV | 1 |
| 7 | 60013006000 | LEVER SCREW CPL. 2003 | 1 |
| 8 | 60013002000 | HAND BRAKE LEVER 2003 | 1 |
| 9 | 60013004000 | PROTECTION CAP HAND BRAKE CYL. | 1 |
| 11 | 60142010000 | BRAKE HOSE L=1320MM 06 | 1 |
| 12 | 0603100141 | COPPER GASKET DIN7603-10X14X1 | 2 |
| 13 | 50213025000 | HOLLOW SCREW M10X1X19 | 1 |
| 80 | 00062030000 | BRAKE FLUID DOT5.1 0,25L | 1 |

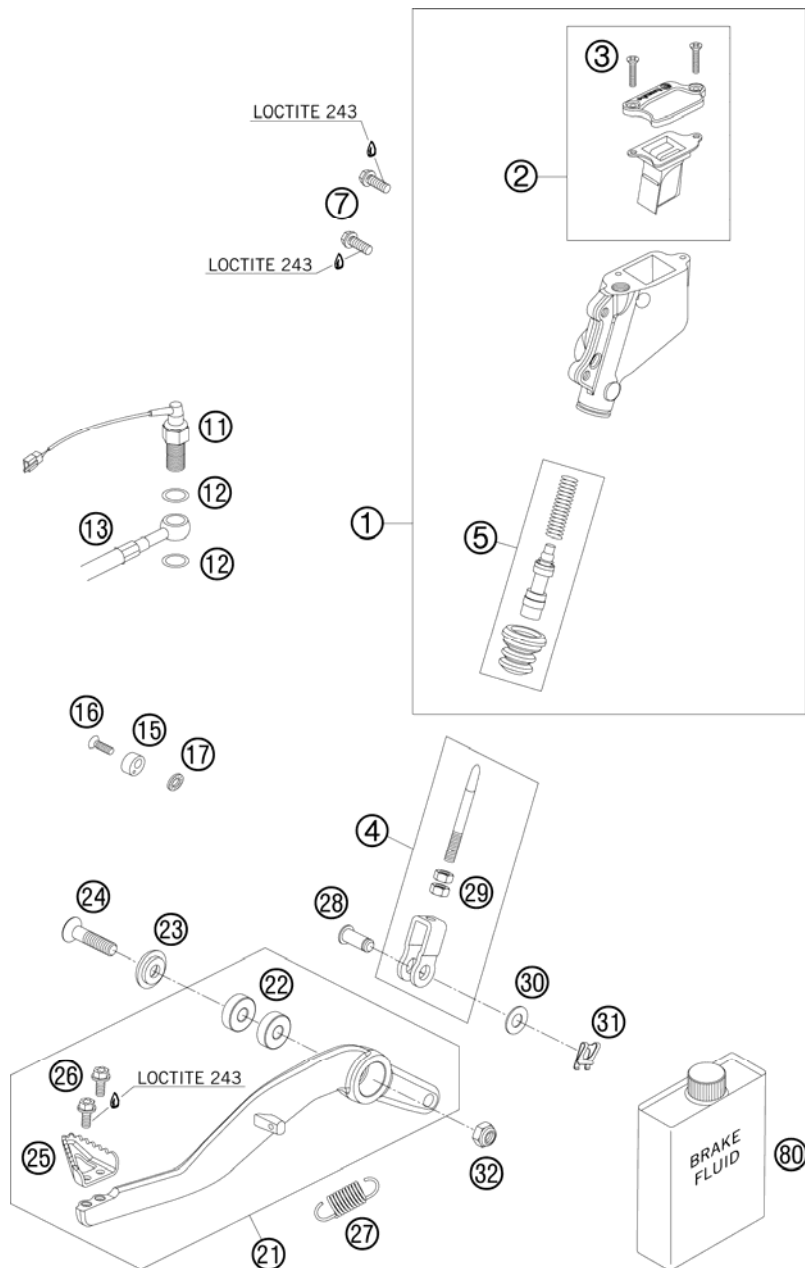
086011310 / C086011310

* NEW PART

X AS REQUIRED

REAR BRAKE CONTROL

990 ADVENTURE BLACK ABS EU 2008



| FIG | PART NUMBER | DESCRIPTION | QTY |
|-----|----------------|--------------------------------|-----|
| 1 | 60013060300 | MAIN BRAKE CYLINDER CPL. 07 | 1 |
| 2 | 60013059100 | COVER MAIN BRAKE CYLINDER CPL. | 1 |
| 3 | 0965040161 | FLAT HEAD SCREW DIN0965-M 4X16 | 2 |
| 4 | 63013056044 | PUSH ROD CPL. 06 | 1 |
| 5 | 60013061000 | REPAIR KIT PISTON 03 | 1 |
| 7 | 59009062016 | SPECIAL SCREW M6X16 WS=8 10.9 | 2 |
| 11 | 50311051100 | BRAKE LIGHT SWITCH REAR '98 | 1 |
| 12 | 0603100141 | COPPER GASKET DIN7603-10X14X1 | 2 |
| 13 | 60142012200 | BRAKE HOSE L=360 08 | 1 |
| 15 | 58413048000 | BRAKE LEVER STOP LC4 03 | 1 |
| 16 | 0991060203 | FLAT H.SCREW DIN7991-M6X20 8.8 | 1 |
| 17 | 0797060003 | TOOTH LOCK WASH. DIN6797-A 6,4 | 1 |
| 21 | 6001305004401S | FOOT BRAKE LEVER CPL. 07 | 1 |
| 22 | 0625006087 | GROOVED BALL BEAR. 608 2RS C3 | 2 |
| 23 | 60003061000 | SPECIAL WASHER ALU 8X24MM 03 | 1 |
| 24 | 0991080353 | FLAT HEAD SCREW DIN7991-M 8X35 | 1 |
| 25 | 60013051000 | STEP PLATE FOOT BRAKE LEVER 03 | 1 |
| 26* | 0025050126 | HH COLLAR SCREW M5x12 TX30 | 2 |
| 27 | 54603062000 | RETURN SPRING FOR BRAKE LEVER | 1 |
| 28 | 60013057000 | BOLT F. LINK FORK 8X20X16,5 | 1 |
| 29 | 0934060003 | HEXAGON NUT DIN0934-M 6 | 2 |
| 30 | 0125080003 | WASHER DIN0125-A 8,4 | 1 |
| 31 | 60013058000 | SECURING CLIP D=8MM 03 | 1 |
| 32 | 0985080003 | SELF LOCKING NUT DIN0985-M 8 | 1 |
| 80 | 00062030000 | BRAKE FLUID DOT5.1 0,25L | 1 |

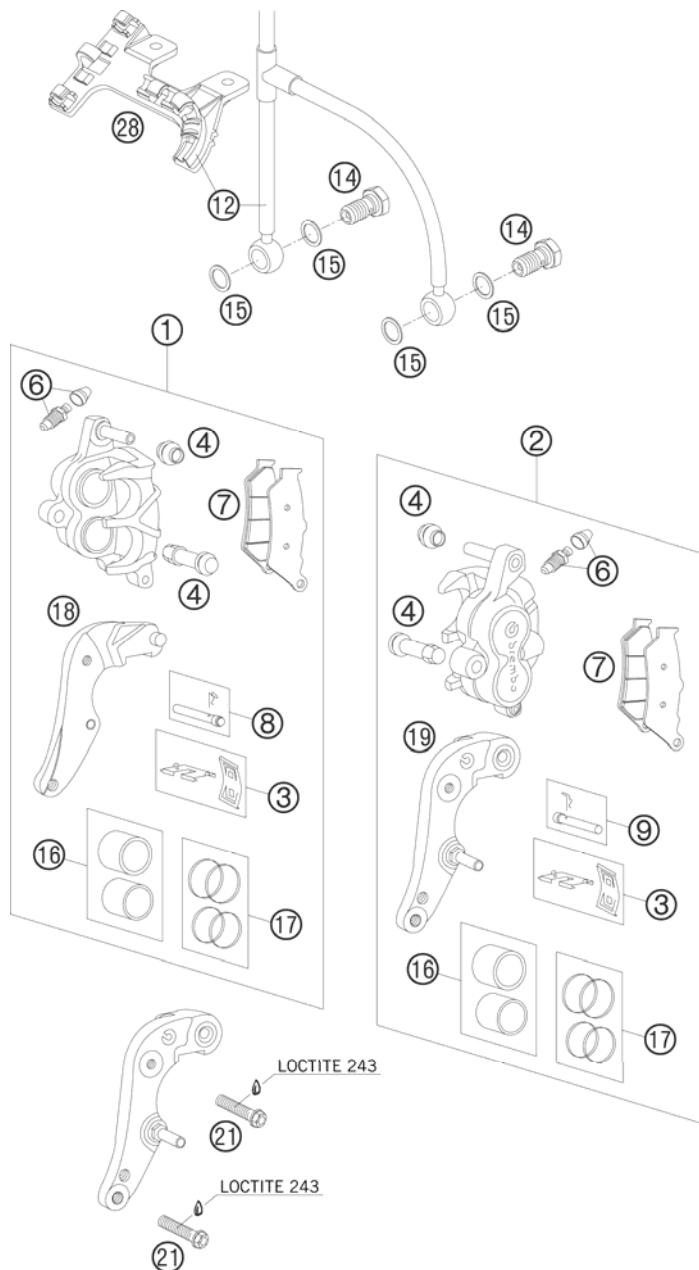
086011330 / C086011330

* NEW PART

X AS REQUIRED

BRAKE CALIPER FRONT

990 ADVENTURE BLACK ABS EU 2008



| FIG | PART NUMBER | DESCRIPTION | QTY |
|-----|-------------|--|-----|
| 1 | 60113016000 | BRAKE CALIPER FRONT R/S 06 WITH BRAKE CALIPER SUPPORT | 1 |
| 2 | 60113015000 | BRAKE CALIPER FRONT L/S 06 WITH BRAKE CALIPER SUPPORT | 1 |
| 3 | 60013018000 | RETAINING PLATE SET FRONT 03 | 2 |
| 4 | 54613218000 | CUP SET SHORT | 2 |
| 6 | 60013020000 | BLEEDER SCREW WITH CAP | 2 |
| 7 | 60013030000 | BRAKE PADS TOSHIBA TT 2172 HHA | 2 |
| 8 | 60013017100 | BOLT SET R/S | 1 |
| 9 | 60013017000 | BOLT SET L/S | 1 |
| 12 | 60142011000 | BRAKE HOSE 1190/715/810MM 06 | 1 |
| 14 | 50213025000 | HOLLOW SCREW M10X1X19 | 2 |
| 15 | 0603100141 | COPPER GASKET DIN7603-10X14X1 | 4 |
| 16 | 60013083000 | BRAKE PISTONS 30/32MM | 2 |
| 17 | 60013019000 | REP.KIT SEALING RINGS 30/32MM | 2 |
| 18 | 60113049000 | BRAKE CALIPER SUPPORT FR. R/S WITH RETAINING PLATE | 1 |
| 19 | 60113049100 | BRAKE CALIPER SUPPORT FR. L/S WITH RETAINING PLATE | 1 |
| 21* | 0025080356S | HH COLLAR SCREW M8X35 TX40 | 4 |
| 28 | 60101078000 | BRAKE HOSE GUIDE LOWER 06 | 1 |

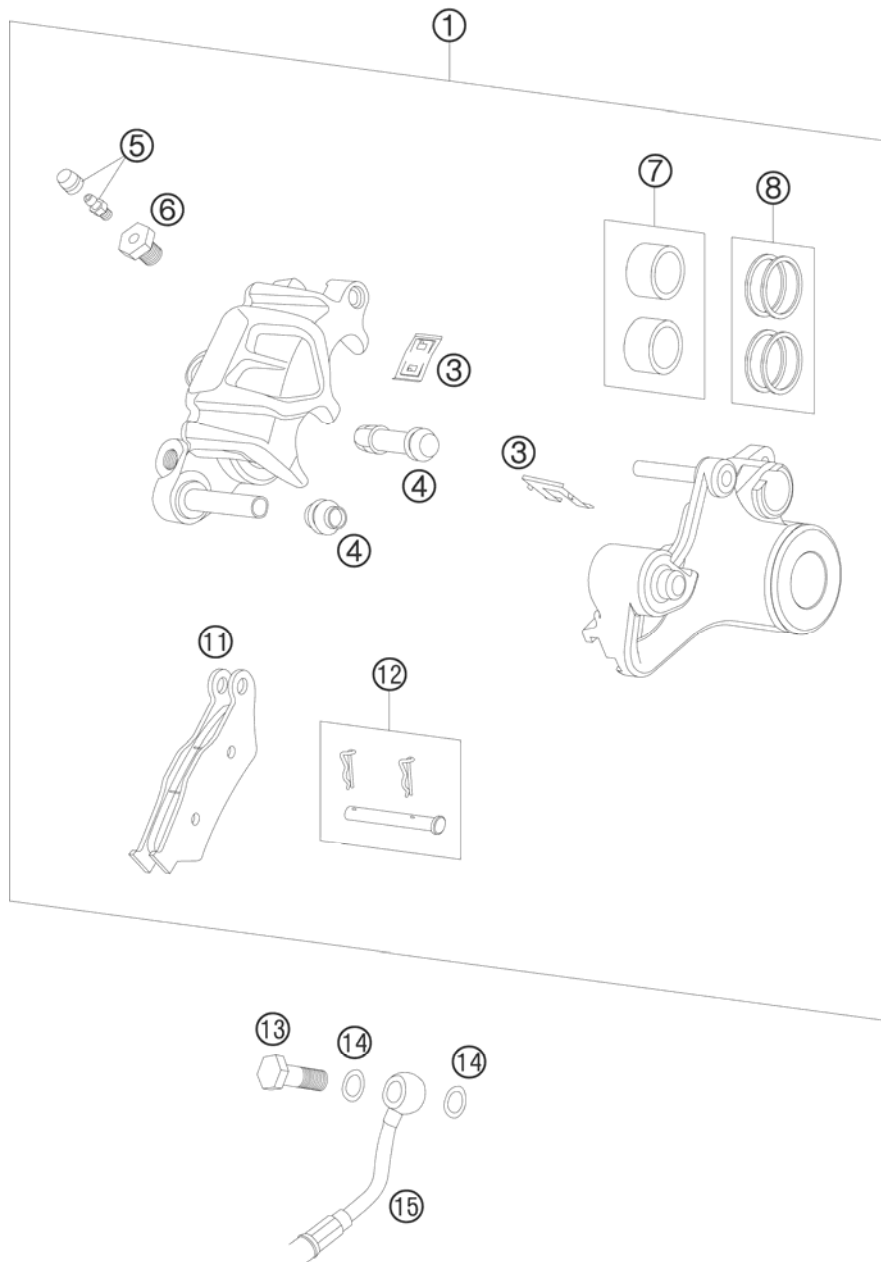
086011360 / C086011360

* NEW PART

X AS REQUIRED

BRAKE CALIPER REAR

990 ADVENTURE BLACK ABS EU 2008



| FIG | PART NUMBER | DESCRIPTION | QTY |
|-----|-------------|--------------------------------|-----|
| 1 | 60113080000 | BRAKE CALIP.REAR "TT2701HH" 06 | 1 |
| 3 | 60013018100 | RETAINING PLATE SET REAR 03 | 1 |
| 4 | 54613218000 | CUP SET SHORT | 1 |
| 5 | 60013020200 | BLEEDER SCREW WITH CAP M6 | 1 |
| 6 | 60013020100 | ADAPTER SCREW | 1 |
| 7 | 60013083200 | BRAKE PISTONS 05 | 1 |
| 8 | 60013081000 | REP.KIT SEALINING RINGS | 1 |
| 11 | 50313030200 | BRAKEP.SET FR.TOSHIBA TT2701HH | 1 |
| 12 | 60013017200 | BOLT SET | 1 |
| 13 | 50213025000 | HOLLOW SCREW M10X1X19 | 1 |
| 14 | 0603100141 | COPPER GASKET DIN7603-10X14X1 | 2 |
| 15* | 60142013200 | BRAKE HOSE L=845 08 | 1 |

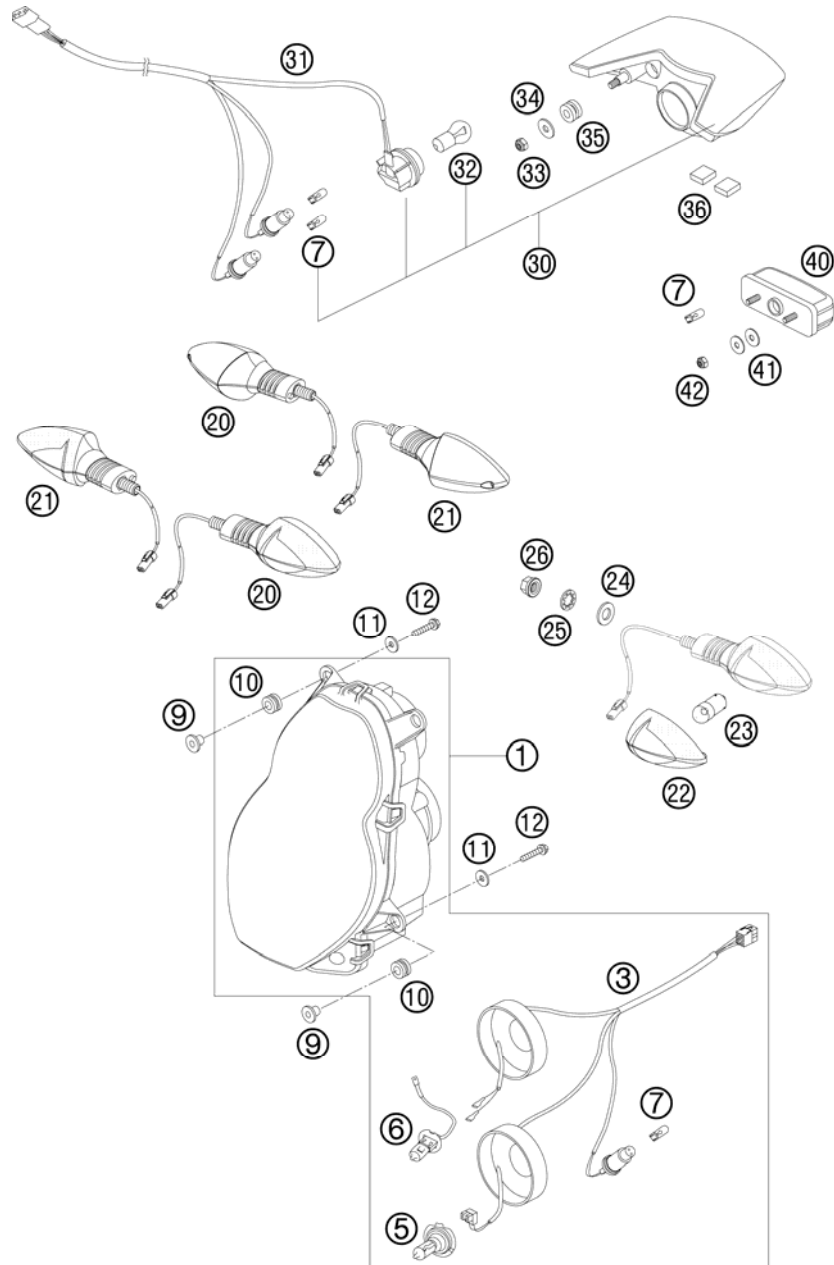
086011390 / C086011390

* NEW PART

X AS REQUIRED

LIGHTING SYSTEM

990 ADVENTURE BLACK ABS EU 2008



| FIG | PART NUMBER | DESCRIPTION | QTY |
|-----|-------------|--------------------------------|-----|
| 1 | 60014001000 | HEAD LIGHT RIGHT TR. EU 03 | 1 |
| 3 | 60014001050 | HEAD LIGHT WIRING HAR. EU/GB | 1 |
| 5 | 60014003100 | BULB H7 12V 55W | 1 |
| 6 | 60014003000 | BULB H3 12V 55W | 1 |
| 7 | 49011435100 | BULB 12V 5W (W2,1X9,5D) PHIL. | 4 |
| 9 | 60014007000 | SPACER BUSHING HEAD LIGHT 03 | 4 |
| 10 | 31008008000 | RUBBER GROMMIT BLACK | 4 |
| 11 | 0021050003 | WASHER DIN9021-A 5,3 | 4 |
| 12 | 0016050253 | SCREW FOR PLASTIC 03 | 4 |
| 20 | 60114025000 | FLASHER CPL.FRONT L/S REAR R/S | 2 |
| 21 | 60114026000 | FLASHER CPL.FRONT R/S REAR L/S | 2 |
| 22 | 60114028000 | FLASHER LENS L/S R/S TRANSP.06 | 4 |
| 23 | 60114027000 | BULB 12V ORANGE (RY10W) | 4 |
| 24 | 0125100003 | WASHER DIN0125-A10,5 | 4 |
| 25 | 0797100003 | LOCK WASHER DIN6797-J10,5 ZI | 4 |
| 26 | 58414030000 | HH COLLAR NUT M10X1,25 WS=13 | 4 |
| 30 | 60014040000 | REAR LIGHT CPL. 03 | 1 |
| 31 | 60011077000 | WIRING HARNESS REAR LIGHT 05 | 1 |
| 32 | 60014048000 | BULB 12V 21W | 1 |
| 33 | 0985060003 | SELF LOCK. NUT DIN0985-M 6 | 2 |
| 34 | 0021060003 | WASHER DIN9021-A 6,4 | 2 |
| 35 | 58214069051 | RUBBER GROMMET 16X10,8X3 02 | 2 |
| 36 | 60014040050 | BUMP RUBBER 20X20X6 MM 03 | 2 |
| 40 | 58414047000 | LICENSE-PLATE ILLUMINATION '98 | 1 |
| 41 | 0021050003 | WASHER DIN9021-A 5,3 | 4 |
| 42 | 0985050003 | SELF LOCKING NUT DIN0985-M 5 | 2 |

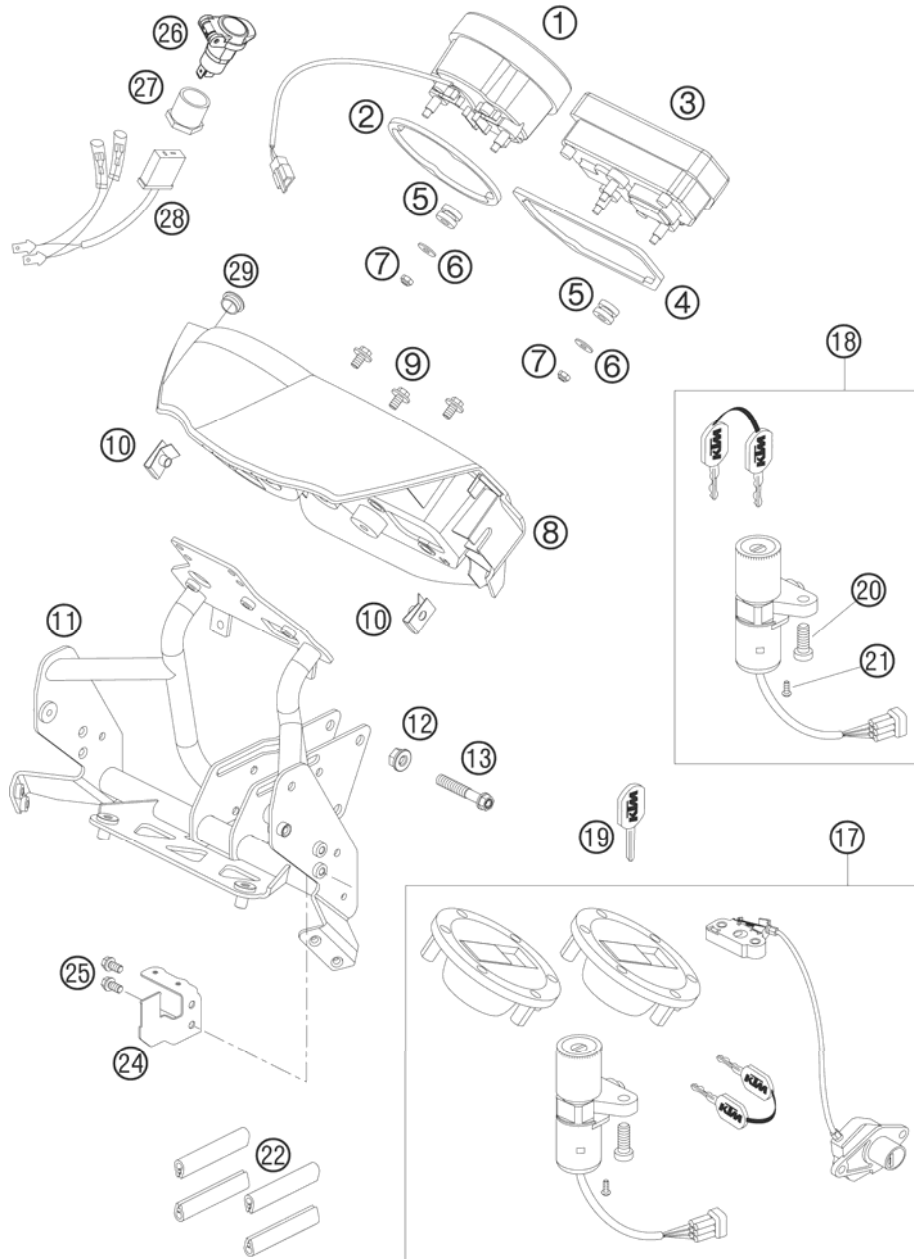
086011410 / C086011410

* NEW PART

X AS REQUIRED

INSTRUMENTS / LOCK SYSTEM

990 ADVENTURE BLACK ABS EU 2008



| FIG | PART NUMBER | DESCRIPTION | QTY |
|-----|-------------|--------------------------------|-----|
| 1 | 60014075000 | REV COUNTER LC8 03 | 1 |
| 2 | 60014068100 | DAMPING RING SPEEDOMETER 03 | 1 |
| 3 | 61014069000 | DIGITAL SPEEDOMETER 05 | 1 |
| 4 | 60014068000 | DAMPING RING TACHOMETER 03 | 1 |
| 5 | 58214069051 | RUBBER GROMMET 16X10,8X3 02 | 5 |
| 6 | 0021050003 | WASHER DIN9021-A 5,3 | 5 |
| 7 | 0985050003 | SELF LOCKING NUT DIN0985-M 5 | 5 |
| 8 | 60114070100 | INSTRUMENTS COVER ABS 07 | 1 |
| 9* | 0024060106 | HH COLLAR SCREW M6X10 TX30 | 3 |
| 10 | 54603048100 | RANGE CHANGE METAL NUT M6 | 2 |
| 11 | 60114010000 | COCKPIT SUPPORT 06 | 1 |
| 12 | 54310086200 | SELF LOCKING NUT M8 10.9 | 2 |
| 13* | 0025080456 | HH COLLAR SCREW M8X45 TX40 | 2 |
| 17 | 60011066244 | LOCK SYSTEM LC8 ADV. 07 | 1 |
| 18 | 60011066000 | IGNITION LOCK LC8 ADV. 03 | 1 |
| 19 | 40011166100 | KEY BLANK LC4/DUKE/LC8 | x |
| 20 | 60011064000 | TAMPERPROOF SCREW F. IGN. LOCK | 2 |
| 21 | 0985040123 | FLAT HEAD SCREW DIN7985-M 4X12 | 2 |
| 22 | 60114010070 | EDGE PROTECTOR 14X9,5X66 MM 06 | 4 |
| 24 | 60103001166 | SUPPORT ROLLOVER SENSOR 06 | 1 |
| 25* | 0025060106 | HH COLLAR SCREW M6X10 TX30 | 2 |
| 26 | 60111042000 | SOCKET | 1 |
| 27 | 60111042050 | NUT FOR SOCKET 07 | 1 |
| 28 | 60111042060 | CABLE FOR SOCKET 07 | 1 |
| 29 | 60114071000 | PLUG FOR SOCKET/INSTR. COVER | x |

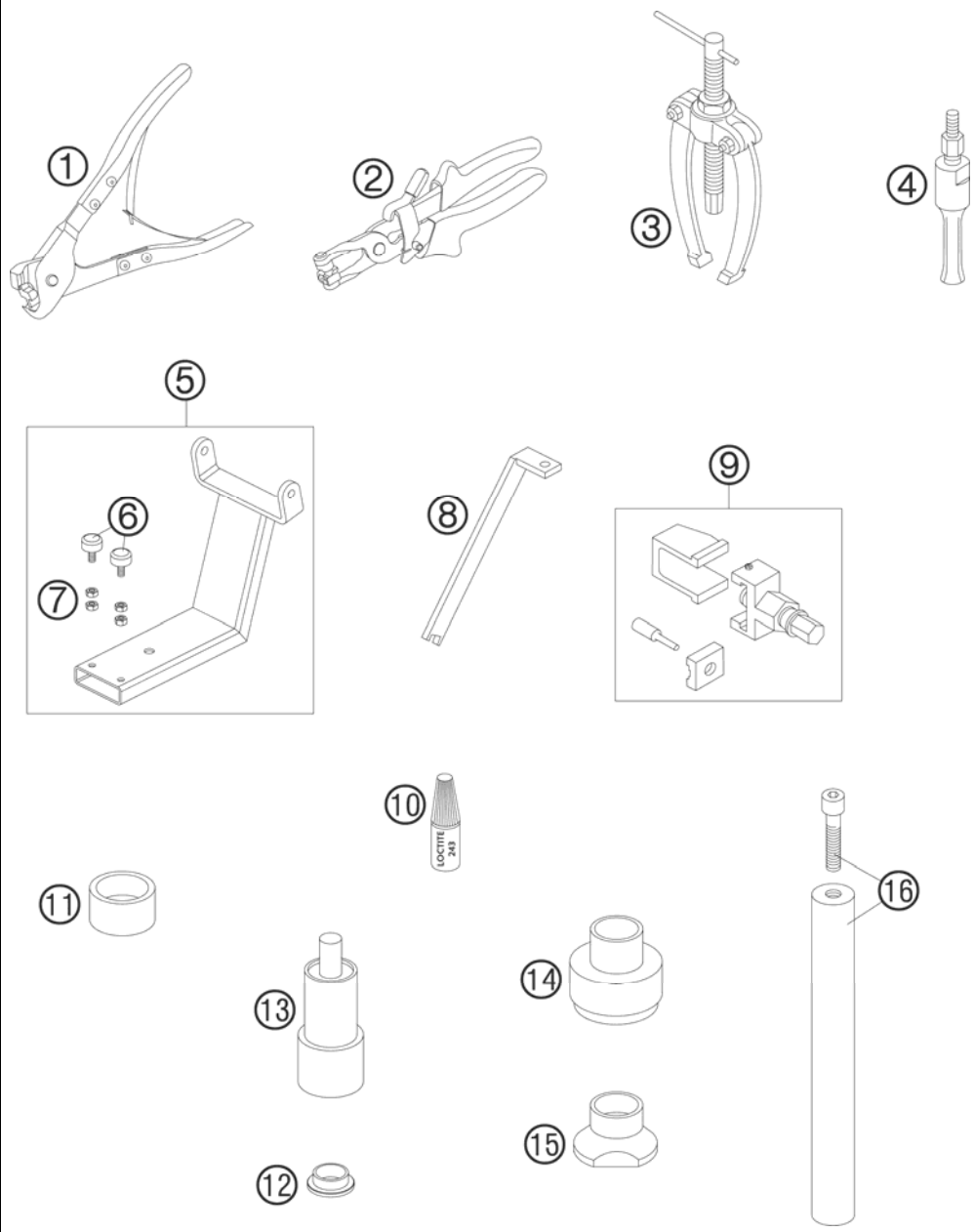
086011430 / C086011430

* NEW PART

X AS REQUIRED

SPECIAL TOOLS

990 ADVENTURE BLACK ABS EU 2008



| FIG | PART NUMBER | DESCRIPTION | QTY |
|-----|-------------|--|-----|
| 1 | 60029057000 | PLIERS F. VAR.ONE-EAR CLAMP 03 | 1 |
| 2 | 60029057100 | PLIERS F. CLAMP 03 | 1 |
| 3 | 15112017000 | BUSHING EXTRACTOR | 1 |
| 4 | 60029018000 | INTERN.BEAR.PULLER 28 MM | 1 |
| 5 | 60029055100 | ATTACHMENT WHEELED JACK 03 | 1 |
| 6 | 58303070000 | STOP RUBBER M8 | 2 |
| 7 | 09340800003 | HEXAGON NUT DIN0934-M 8 | 4 |
| 8 | 60029055000 | HOLDER CENTER STAND 03 | 1 |
| 9 | 58429020000 | RIVET TOOL LC4 | 1 |
| 10 | 6899785 | LOCTITE 243 BLUE 6CCM | 1 |
| 11 | 60029056000 | ANVIL DOLLY 03 | 1 |
| 12 | 60010013000 | SPACER BUSH. REAR WHEEL R/S 03 FOR SWINGARM BEARING | 1 |
| 13 | 58429086000 | PRESS. TOOL F. LINK BEAR. LC4 | 1 |
| 14 | 58429091000 | MOUNT.TOOL STEER.HEAD BEAR.LC4 | 1 |
| 15 | 58429092000 | DISMOUNT. TOOL F. BEARINGS LC4 | 1 |
| 16 | 58429089000 | HOLDING TOOL CHASSIS LC4 | 1 |

086011910 / C086011910

* NEW PART

X AS REQUIRED

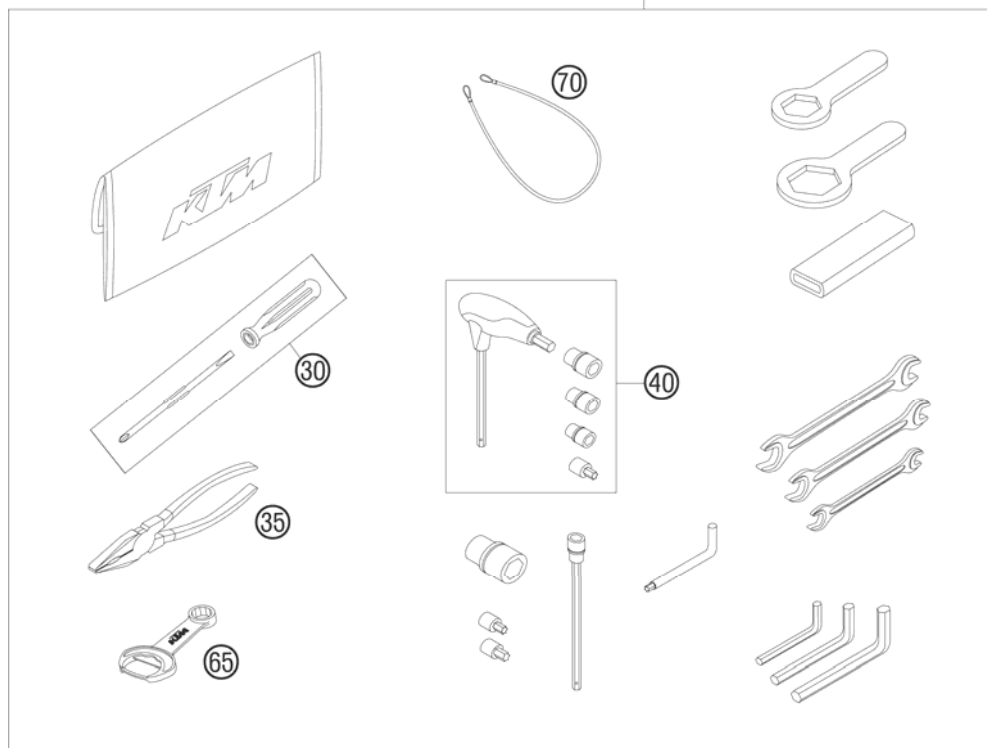
ACCESSORIES KIT

990 ADVENTURE BLACK ABS EU 2008

①
OHNE ABBILDUNG
WITHOUT ILLUSTRATION

①
TECHNISCHE DOKUMENTATION
TECHNICAL DOCUMENTATION
DOCUMENTACION TECNICA
DOCUMENTATION TECHNIQUE
NOTE TECNICHE

⑫



| FIG | PART NUMBER | DESCRIPTION | QTY |
|-----|-------------|--------------------------------|-----|
| 0 | 00063099111 | BAG FOR INSTRUCTION MANUAL | 1 |
| 0 | 0021060003 | WASHER DIN9021-A 6,4 | 4 |
| 0* | 0024060156 | HH COLLAR SCREW M6X15 TX30 | 4 |
| 0* | 0024060156 | HH COLLAR SCREW M6X15 TX30 | 6 |
| 0 | 0125050003 | WASHER DIN0125-A 5,3 | 2 |
| 0 | 0966050163 | OVAL HEAD SCREW DIN0966-M 5X16 | 2 |
| 0 | 0985050003 | SELF LOCKING NUT DIN0985-M 5 | 2 |
| 0 | 0985060003 | SELF LOCK. NUT DIN0985-M 6 | 4 |
| 0 | 0991050204 | FLAT HEAD SCREW DIN7991-M 5X20 | 6 |
| 0 | 312305 | DOCUMENTS BAG 2006 | 1 |
| 0 | 312313 | KTM BALLPOINT ORANGE | 1 |
| 0 | 3210039 | CUSTOMER WELCOME LETTER | 1 |
| 0 | 40006006000 | WASHER 6MM | 2 |
| 0 | 58412040100 | REAR MIRROR L/S+R/S LC4 2001 | 2 |
| 0 | 58412080000 | REFLECTOR RED LC4 '98 | 1 |
| 0 | 58412080050 | BRACKET FOR REFLECTOR | 1 |
| 0 | 60003092100 | UNDERRIDE PROTECTION LEFT 06 | 1 |
| 0 | 60003093100 | UNDERRIDE PROTECTION RIGHT 06 | 1 |
| 0 | 60008008000 | FAIRING SCREEN 03 | 1 |
| 0 | 60008008050 | BLIND PLUG-IN NUT M5 WN 16A 03 | 6 |
| 0 | 60008046000 | SPECIAL WASHER D=12MM 03 | 6 |
| 0 | 60012081200 | LICENCE FITTING 06 | 1 |
| 1 | 3211242 | OWN. MANUAL 990 ADVENTURE 2008 | 1 |
| 12* | 61129099000 | TOOL SET 08 | 1 |
| 30 | 53012024100 | SCREW DRIVER L=105MM | 1 |
| 35 | 53012028200 | GRIP ORANGE B&F | 1 |
| 40 | 60029070200 | T-WRENCH WS=6/8/10 TX=45 B&F | 1 |
| 65 | 50329071000 | WRENCH WS=13/17 | 1 |
| 70 | 60012015000 | HELMET LOCK 04 | 1 |

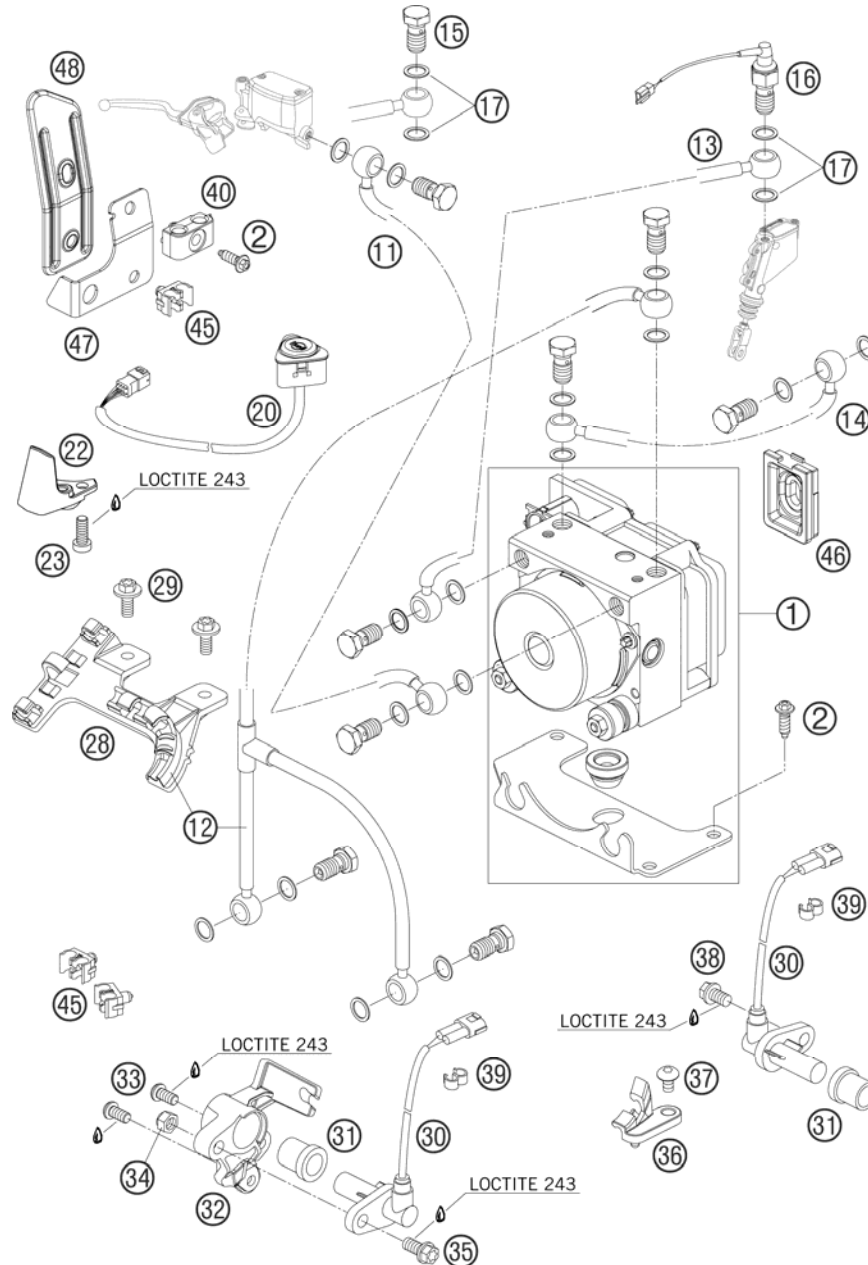
086012001 / C086012001

* NEW PART

X AS REQUIRED

ANTIBLOCK SYSTEM ABS

990 ADVENTURE BLACK ABS EU 2008



| FIG | PART NUMBER | DESCRIPTION | QTY |
|-----|-------------|--------------------------------|-----|
| 1 | 60142031244 | ABS-MODULE INCL. SUPPORT | 08 |
| 2 | 0017060203 | EJOT PT SCREW K60X20 WS=6 | 6 |
| 11 | 60142010000 | BRAKE HOSE L=1320MM | 06 |
| 12 | 60142011000 | BRAKE HOSE L=1190/715/810MM | 06 |
| 13 | 60142012200 | BRAKE HOSE L=360 | 08 |
| 14 | 60142013200 | BRAKE HOSE L=845 | 08 |
| 15 | 50213025000 | HOLLOW SCREW M10X1X19 | 7 |
| 16 | 50311051100 | BRAKE LIGHT SWITCH REAR '98 | 1 |
| 17 | 0603100141 | COPPER GASKET DIN7603-10X14X1 | 18 |
| 20 | 60142070000 | SWITCH ABS | 06 |
| 22 | 60101077000 | BRAKE HOSE GUIDE TOP | 06 |
| 23 | 0012060164 | AH SCREW DIN912 M6X16 SL | 1 |
| 28 | 60101078000 | BRAKE HOSE GUIDE LOWER | 06 |
| 29* | 0024060156 | HH COLLAR SCREW M6X15 TX30 | 2 |
| 30 | 60142025000 | ABS-SENSOR | 06 |
| 31 | 60142024050 | SLEEVE SENSOR HOLDER ABS | 2 |
| 32 | 60142024000 | SENSOR HOLDER FRONT | 06 |
| 33 | 0018050103 | INT. TORX OVAL HEAD M 5X10 8.8 | 2 |
| 34 | 0985060003 | SELF LOCK. NUT DIN0985-M 6 | 1 |
| 35* | 0025060166 | HH COLLAR SCREW M6X16 TX30 | 1 |
| 36 | 60142026000 | CABLE SUPPORT SWING ARM | 06 |
| 37 | 58605083010 | SCREW TORX M5X10 | 05 |
| 38 | 59009062013 | SPECIAL SCREW M6X13 WS=8 10.9 | 1 |
| 39 | 60111094000 | CLAMP 5/7 MM | 06 |
| 40 | 60113046000 | SUPPORT FOR BRAKE HOSE | 06 |
| 45 | 60113026000 | HOSE SUPPORT 7/7 MM | 06 |
| 46 | 60108017010 | RUBBER SLEEVE 30X40 MM | 06 |
| 47 | 60113044000 | RETAINING PLATE BRAKE HOSE REA | 1 |
| 48 | 60113043000 | HEAT PROTECT. BRAKE REAR HI.07 | 1 |

086014210 / C086014210

* NEW PART

X AS REQUIRED



KTM-Sportmotorcycle AG
A-5230 Mattighofen
www.ktm.at

KTM Group Partner



3CF9803H6EN



Art.Nr.: 3CF9803H6EN 1/2008