

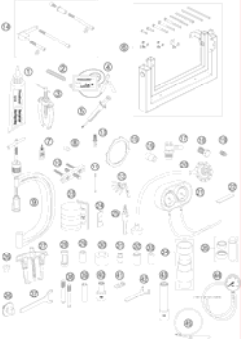
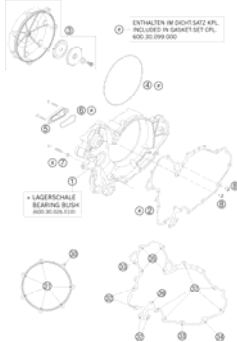
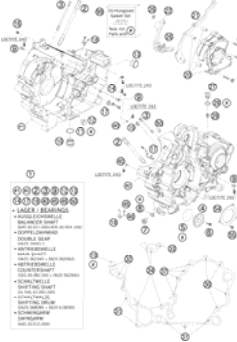

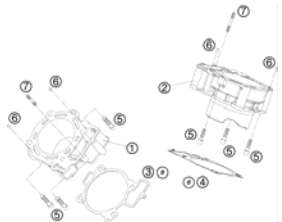
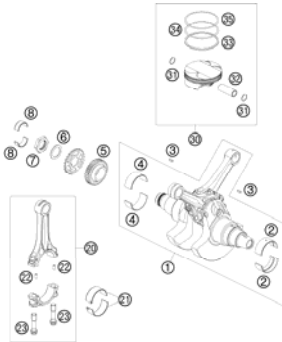

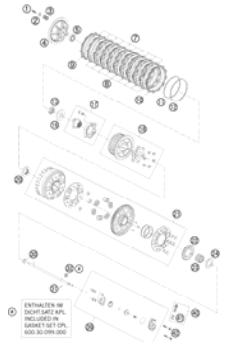
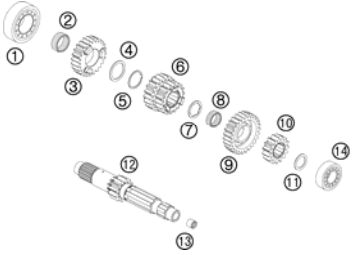
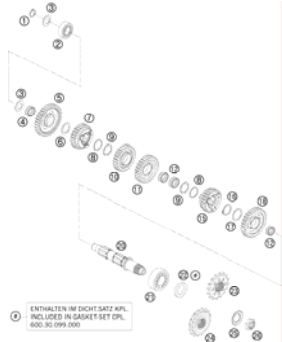

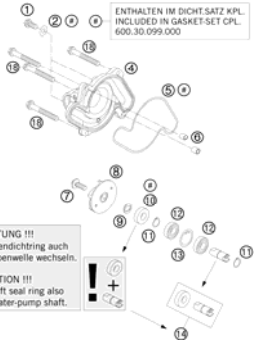
990 SUPERDUKE R 2008

SPARE PARTS MANUAL: ENGINE

ART.NO.: 3CM089822HEN

ENGLISH



| | | | |
|---|---|--|---|
| SPECIAL TOOLS  3 | CLUTCH COVER  <p>ENTHALTEN IM DICHTSATZ KPL. INCLUDED IN GASKET SET CPL. 600.30.099.000</p> <p>* LASERSCHALE BEARING BLUSH 600.30.099.000</p> 5 | ENGINE CASE  <p>ENTHALTEN IM DICHTSATZ KPL. INCLUDED IN GASKET SET CPL. 600.30.099.000</p> 6 | BALANCER SHAFT  <p>ENTHALTEN IM DICHTSATZ KPL. INCLUDED IN GASKET SET CPL. 600.30.099.000</p> 8 |
| CYLINDER  <p>ENTHALTEN IM DICHTUNGSSETZ KPL. INCLUDED IN GASKET-SET CPL. 600.30.099.000</p> <p>ENTHALTEN IM DICHTSATZ ZYL. KOPF INCLUDED IN GASKET-SET ZYL. HEAD 600.30.097.000</p> 9 | CRANKSHAFT, PISTON  10 | SECONDARY AIR SYSTEM  11 | CLUTCH  <p>ENTHALTEN IM DICHTSATZ KPL. INCLUDED IN GASKET SET CPL. 600.30.099.000</p> 12 |
| TRANSMISSION I - MAIN SHAFT  13 | TRANSMISSION II - COUNTERSHAFT  <p>ENTHALTEN IM DICHTSATZ KPL. INCLUDED IN GASKET SET CPL. 600.30.099.000</p> 14 | SHIFTING MECHANISM  <p>ENTHALTEN IM DICHTSATZ KPL. INCLUDED IN GASKET SET CPL. 600.30.099.000</p> 15 | WATER PUMP  <p>ENTHALTEN IM DICHTSATZ KPL. INCLUDED IN GASKET-SET CPL. 600.30.099.000</p> <p>ACHTUNG !!! Mit dem Wellendichtung auch die Wasserpumpenwelle wechseln.</p> <p>CAUTION !!! With the shaft seal ring also change the water-pump shaft.</p> 17 |

COOLING SYSTEM

18

TIMING DRIVE

EXHAUST INTAKE

20

ENTHALTEN IM DICHTUNGSSATZ KPL. INCLUDED IN GASKET-SET CPL. 600.30.099.000
ENTHALTEN IM DICHT-SATZ ZYL. KOPF INCLUDED IN GASKET-SET CYL. HEAD 600.30.097.000

TIMING DRIVE

21

ENTHALTEN IM DICHTUNGSSATZ KPL. INCLUDED IN GASKET-SET CPL. 600.30.099.000
ENTHALTEN IM DICHT-SATZ ZYL. KOPF INCLUDED IN GASKET-SET CYL. HEAD 600.30.097.000

CYLINDER HEAD REAR

22

DICHTUNGSSATZ KPL. 600.30.099.000
ENTHALT DICHT-SATZ ZYL. KOPF 600.30.097.000
GASKET-SET CPL. 600.30.099.000
INCL. GASKET-SET CYL. HEAD 600.30.097.000

Dichtungsatz Zylinderkopf mit Ventilen
- 10/12
- 10/13
- 10/14
- 10/15
- 10/16
- 10/17
- 10/18
- 10/19
- 10/20
- 10/21
- 10/22
- 10/23
- 10/24
- 10/25
- 10/26
- 10/27
- 10/28
- 10/29
- 10/30
- 10/31
- 10/32
- 10/33
- 10/34
- 10/35
- 10/36
- 10/37
- 10/38
- 10/39
- 10/40
- 10/41
- 10/42
- 10/43
- 10/44
- 10/45
- 10/46
- 10/47
- 10/48
- 10/49
- 10/50
- 10/51
- 10/52
- 10/53
- 10/54
- 10/55
- 10/56
- 10/57
- 10/58
- 10/59
- 10/60
- 10/61
- 10/62
- 10/63
- 10/64
- 10/65
- 10/66
- 10/67
- 10/68
- 10/69
- 10/70
- 10/71
- 10/72
- 10/73
- 10/74
- 10/75
- 10/76
- 10/77
- 10/78
- 10/79
- 10/80
- 10/81
- 10/82
- 10/83
- 10/84
- 10/85
- 10/86
- 10/87
- 10/88
- 10/89
- 10/90
- 10/91
- 10/92
- 10/93
- 10/94
- 10/95
- 10/96
- 10/97
- 10/98
- 10/99
- 10/100

ZYLINDER HINTEN
CYLINDER REAR

CYLINDER HEAD FRONT

23

DICHTUNGSSATZ KPL. 600.30.099.000
ENTHALT DICHT-SATZ ZYL. KOPF 600.30.097.000
GASKET-SET CPL. 600.30.099.000
INCL. GASKET-SET CYL. HEAD 600.30.097.000

Dichtungsatz Zylinderkopf mit Ventilen
- 10/1
- 10/2
- 10/3
- 10/4
- 10/5
- 10/6
- 10/7
- 10/8
- 10/9
- 10/10
- 10/11
- 10/12
- 10/13
- 10/14
- 10/15
- 10/16
- 10/17
- 10/18
- 10/19
- 10/20
- 10/21
- 10/22
- 10/23
- 10/24
- 10/25
- 10/26
- 10/27
- 10/28
- 10/29
- 10/30
- 10/31
- 10/32
- 10/33
- 10/34
- 10/35
- 10/36
- 10/37
- 10/38
- 10/39
- 10/40
- 10/41
- 10/42
- 10/43
- 10/44
- 10/45
- 10/46
- 10/47
- 10/48
- 10/49
- 10/50
- 10/51
- 10/52
- 10/53
- 10/54
- 10/55
- 10/56
- 10/57
- 10/58
- 10/59
- 10/60
- 10/61
- 10/62
- 10/63
- 10/64
- 10/65
- 10/66
- 10/67
- 10/68
- 10/69
- 10/70
- 10/71
- 10/72
- 10/73
- 10/74
- 10/75
- 10/76
- 10/77
- 10/78
- 10/79
- 10/80
- 10/81
- 10/82
- 10/83
- 10/84
- 10/85
- 10/86
- 10/87
- 10/88
- 10/89
- 10/90
- 10/91
- 10/92
- 10/93
- 10/94
- 10/95
- 10/96
- 10/97
- 10/98
- 10/99
- 10/100

ZYLINDER VORNE
CYLINDER FRONT

LUBRICATING SYSTEM

25

ENTHALTEN IM DICHT-SATZ KPL. INCLUDED IN GASKET-SET CPL. 600.30.099.000

IGNITION SYSTEM

27

ENTHALTEN IM DICHT-SATZ KPL. INCLUDED IN GASKET-SET CPL. 600.30.099.000

• LAGER DOPPEL-LAGERTROMMEL BEARING DOUBLE GEAR
• WELLE NICHTSTRICH SHAFT SEAL RING 14x17x12,00mm

ELECTRIC STARTER

28

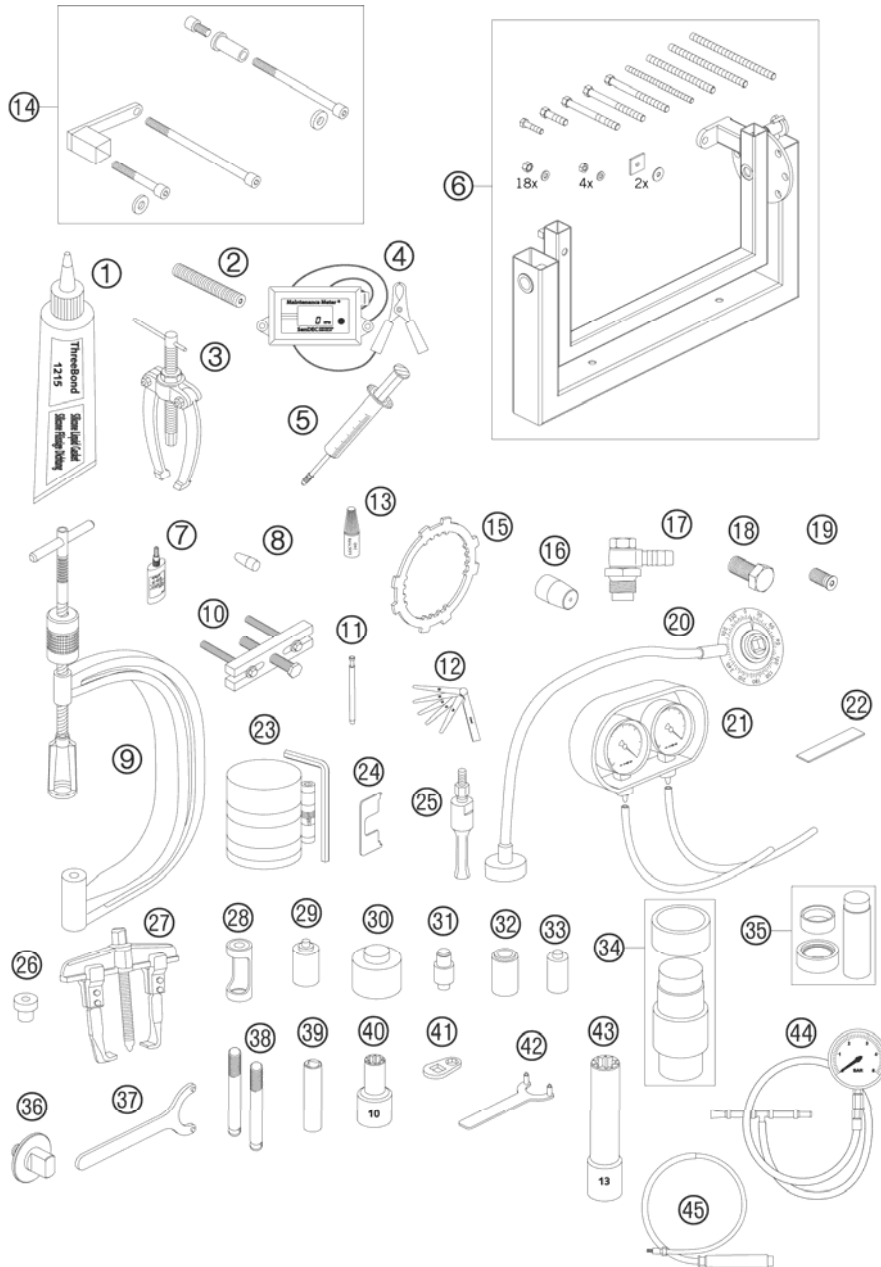
ENTHALTEN IM DICHT-SATZ KPL. INCLUDED IN GASKET-SET CPL. 600.30.099.000

THROTTLE BODY

29

!

All information contained is without obligation. KTM-Sportmotorcycle AG particularly reserves the right to modify any equipment, technical specifications, prices, colors, shapes, materials, services, service work, constructions, equipment and the like so as to adapt them to local conditions or to cancel any of the above items, all without previous announcement and without giving reasons. KTM may stop manufacturing certain models without previous notice. KTM shall not be held liable for any deviations of availability and/or ability to deliver, illustrations, descriptions, printing and/or other errors. The illustrated models partly contain extra equipment, which is not applied to standard models. © by KTM-SPORTMOTORCYCLE AG, Mattighofen AUSTRIA; All rights reserved; Reprint, also in extracts, with written allowance of KTM-SPORTMOTORCYCLE AG, Mattighofen only.



| FIG | PART NUMBER | DESCRIPTION | QTY |
|-----|-------------|--------------------------------|-----|
| 1 | 309098 | SILICON GASKET THREE-BOND | 1 |
| 2 | 0113080802 | ENGINE BLOCKING SCREW | 1 |
| 3 | 15112017000 | BUSHING EXTRACTOR | 1 |
| 4 | 45129075000 | REVMETER | 1 |
| 5 | 50329050000 | VENT INJEKION HYDR. CLUTCH | 1 |
| 6 | 56012001000 | ASSY SUPPORT (WITHOUT HOLDER) | 1 |
| 7 | 58429059000 | LOCTITE 648 GREEN 24ML | 1 |
| 8 | 58529005000 | MOUNT.SLEEVE F. SH.S.RING WAPU | 1 |
| 9 | 59029019000 | VALVE SPRING LEVER | 1 |
| 10 | 59029021044 | EXTRACTOR PRIM. GEAR CPL. | 1 |
| 11 | 59029026006 | LIMIT PLUG GAUGE F.VALE GUIDE | 1 |
| 12 | 59029041000 | FEEL. GAUGE SET 10,12,15,20,25 | 1 |
| 13 | 6899785 | LOCTITE 243 BLUE 6CCM | x |
| 14 | 60029002000 | ENGINE BRACKET FOR LC8 03 | x |
| 15 | 60029003000 | BRACKET FOR CLUTCH | 1 |
| 16 | 60029005000 | MOUNT.SLEEVE F. SH. SEAL RING | 1 |
| 17 | 60029006000 | ADAPTOR F.OIL PRESSURE GAUGE | 1 |
| 18 | 60029009000 | FLYWHEEL EXTRACTOR | 1 |
| 19 | 60029009010 | PUSH SCREW F. FLYWH. EXTRACTOR | 1 |
| 19 | 60029009110 | PUSH SCREW F. FLYWH. EXTRACTOR | 1 |
| 20 | 60029010000 | DEGREE DISK 360DEG - 1/2 INCH | 1 |
| 21 | 60029011000 | SYNCHRONIZER CPL. 2-CYLINDER | 1 |
| 22 | 60029012000 | PLASTIGAUGE - MEASURING STRIP | 1 |
| 23 | 60029015000 | PISTON RING COMPRESSOR CPL. 03 | 1 |
| 24 | 60029016000 | SETTING GAGE F. FLOAT LEVEL | 1 |
| 25 | 60029018000 | INTERN.BEAR.PULLER 28 MM | 1 |
| 26 | 60029031000 | PRESSURE PUNCH F. CRANKSHAFT | 1 |
| 27 | 60029033000 | EXTRACTOR PRIM. GEAR | 1 |
| 28 | 60029041000 | INSERT FOR VALVE SPRING LEVER | 1 |
| 29 | 60029043010 | SEAL.RING PRESS PUNCH PUSH ROD | 1 |
| 30 | 60029043020 | SEAL.RING PRESS PUNCH COUNT.SH | 1 |
| 31 | 60029043030 | PRESS PUNCH SEAL.RING/BEARING | 1 |
| 32 | 60029043040 | SEAL.RING PRESS PUNCH WAT.PUMP | 1 |
| 33 | 60029043050 | SEAL.RING PRESS PUNCH BA.SHAFT | 1 |
| 33 | 60029043060 | PRESS PUNCH WAPU-BEARING | 1 |
| 34 | 60029044050 | PRESS TOOL FOR MAIN BEARING | 1 |

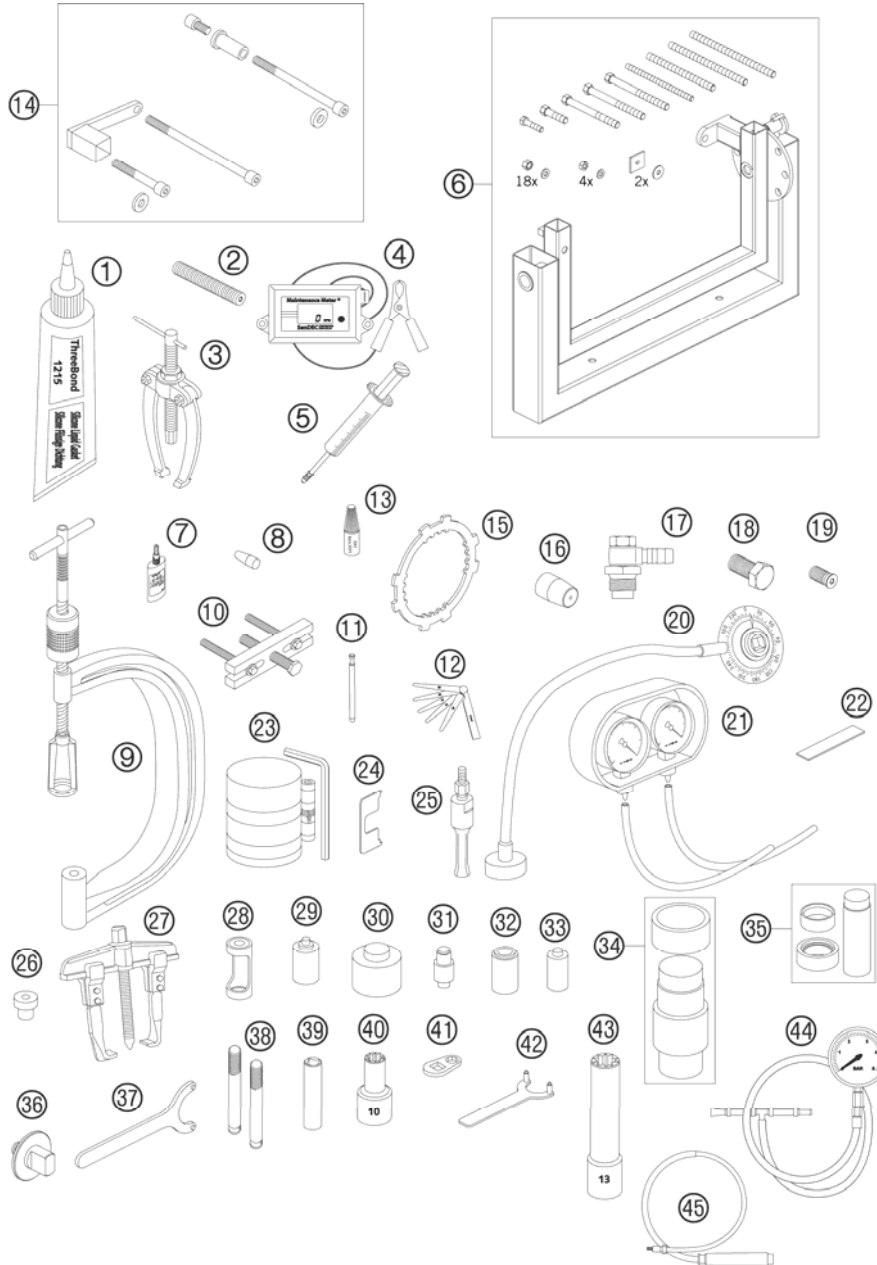
086012910 / C086012910

* NEW PART

X AS REQUIRED

SPECIAL TOOLS

990 SUPERDUKE R 2008



| FIG | PART NUMBER | DESCRIPTION | QTY |
|-----|-------------|--------------------------------|-----|
| 35 | 60029046028 | PRESS TOOL F. SUPPORT BEARING | 1 |
| 36 | 60029050000 | BOTTOM PART PRETENSIONING TOOL | 1 |
| 37 | 60029051000 | HOOK WRENCH PRETENS.TOOL CPL. | 1 |
| 38 | 60029058000 | SCISSOR GEAR PULLER | 1 |
| 39 | 60029073000 | SPARK PLUG WRENCH 16MM 1/2INCH | 1 |
| 40 | 60029075000 | SPECIAL SOCKET F.CYL.-HEAD NUT | 1 |
| 41 | 60029081000 | WRENCH FOR CYLINDER-HEAD SCREW | 1 |
| 42 | 60029082000 | HOLDER FOR WATER PUMP WHEEL | 1 |
| 43 | 60029083000 | SPECIAL SOCKET F. CYLINDER NUT | 1 |
| 44 | 61029094000 | EFI PRESSURE TESTER | 1 |
| 45 | 62529093000 | IGNITIONWIRE ADAPTOR | 1 |

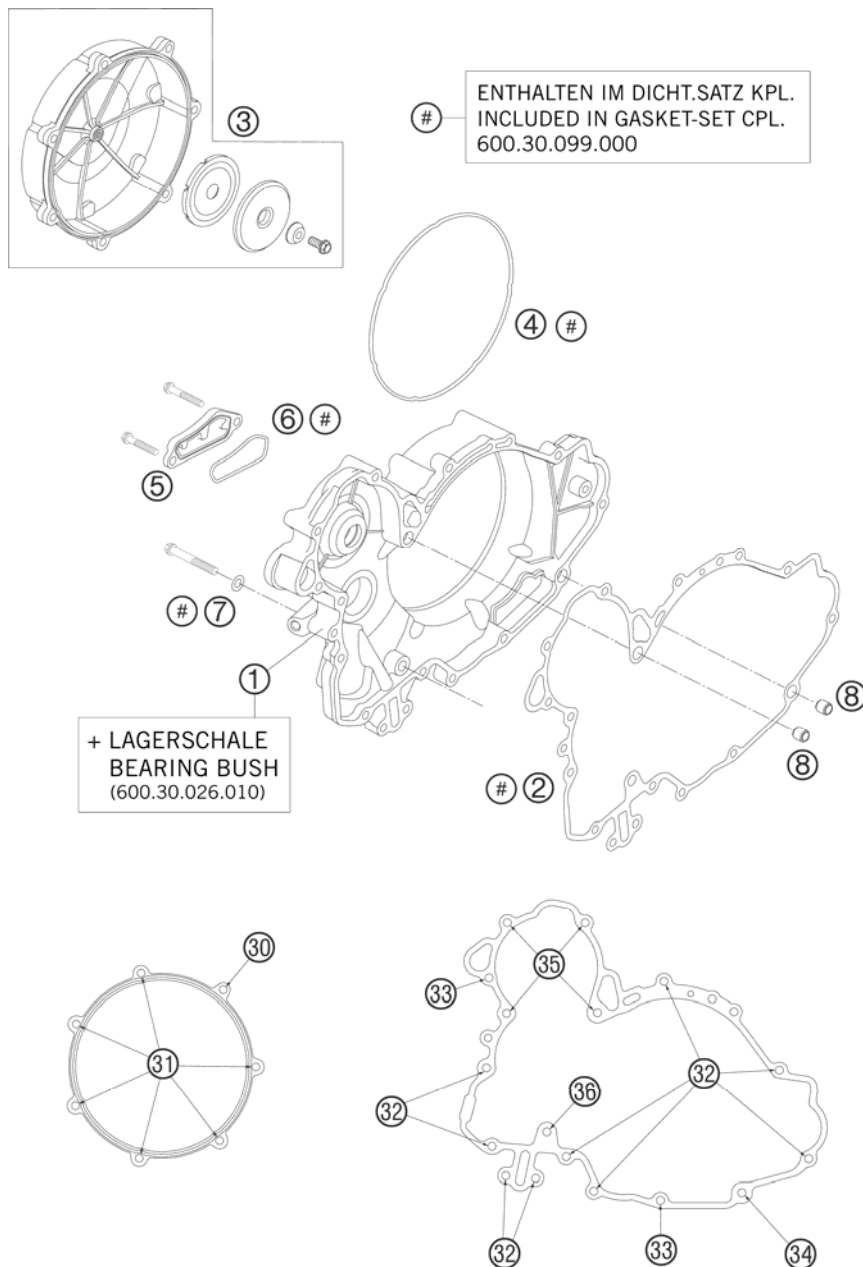
086012910 / C086012910

* NEW PART

X AS REQUIRED

CLUTCH COVER

990 SUPERDUKE R 2008

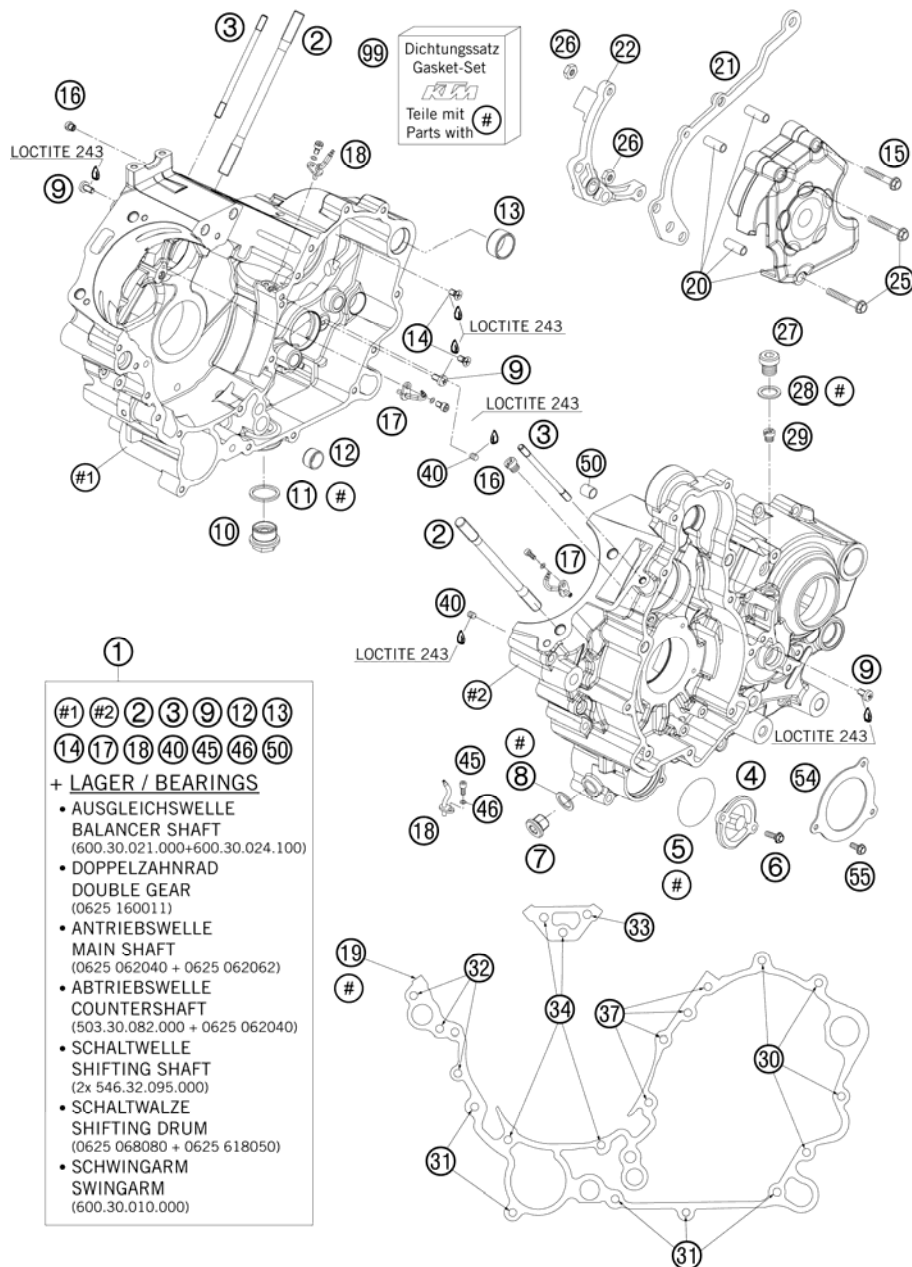


| FIG | PART NUMBER | DESCRIPTION | QTY |
|-----|-------------|--------------------------------|-----|
| 1* | 60030001144 | CLUTCH COVER LC8 CPL. 08 | 1 |
| 2 | 60030025000 | CLUT.COV. GASK. INSIDE KLI.SIL | 1 |
| 3 | 60030126144 | OUTER CLUTCH COVER CPL. 06 | 1 |
| 4 | 60030027000 | GASKET RING CLUTCH 2X3,1 VAMAC | 1 |
| 5 | 60030012100 | CLOS. COVER OIL SCR. MILLED 03 | 1 |
| 6 | 60030012050 | MOLDED RING 1,8X2,5 VAMAC 03 | 1 |
| 7 | 0603082131 | COPPER GASK.DIN7603- 8,2X13X1 | 1 |
| 8 | 49030090000 | DOWEL 9,8 X 7 X 10 | 2 |
| 30 | 0015060853 | HH COLLAR SCREW M 6X85 WS=8 | 1 |
| 31 | 0015060253 | HH COLLAR SCREW M 6X25 WS=8 | 6 |
| 32 | 0015060303 | HH COLLAR SCREW M 6X30 SW=8 | 9 |
| 33 | 0015060353 | HH COLLAR SCREW M 6X35 WS=8 | 2 |
| 34 | 0015060403 | HH COLLAR SCREW M 6X40 WS=8 | 1 |
| 35 | 0015060603 | HH COLLAR SCREW M 6X60 WS=8 | 4 |
| 36 | 0015080603 | HH COLLAR SCREW M 8X60 WS=10 | 1 |

086113020 / C086013020

* NEW PART

X AS REQUIRED



| FIG | PART NUMBER | DESCRIPTION | QTY |
|-----|-------------|--------------------------------|-----|
| 1* | 6113000044 | ENGINE CASE CPL. W.BEARINGS 08 | 1 |
| 2 | 60030043100 | STUD M10X161 06 | 8 |
| 3 | 60030043010 | STUD M 6X101 10.9 03 | 2 |
| 4 | 59038041000 | OIL FILTER COVER RACING | 1 |
| 5 | 0770400025 | O-RING 40,00X2,50 NBR 70 | 1 |
| 6 | 0015050163 | HH COLLAR SCREW M 5X16 WS=8 | 2 |
| 7 | 60038033050 | PLUG SCREW M14X1,5 ALU AH | 1 |
| 8 | 0603142016 | CU-SEAL RING 14X20X1,5 LC8 02 | 1 |
| 9* | 0985050103 | OVAL HEAD SCR. DIN7985-M 5X10 | 3 |
| 10 | 58038019050 | DRAIN PLUG W. MAGNET | 1 |
| 11 | 58038017100 | CU-SEAL RING DIN7603-22X27X2 | 1 |
| 12 | 58330023000 | DOWEL 17 X 14 X 9,5 | 1 |
| 13 | 60030023000 | DOWEL 20,1X24X12 03 | 1 |
| 14* | 0965050103 | FLAT HEAD SCREW DIN0965-M 5X10 | 2 |
| 15 | 0015060303 | HH COLLAR SCREW M 6X30 SW=8 | 1 |
| 16 | 59030054000 | JET 60 DELLORTO M6X0,75 | 2 |
| 17* | 60030066000 | OIL JET CURVED "70" BLUE | 2 |
| 18* | 60030064100 | OIL JET CURVED "70" GREEN | 2 |
| 19 | 60030039100 | ENGINE CASE GASKET 0,5MM 05 | 1 |
| 20 | 60030060044 | CHAIN SPROCKET COVER CPL. 03 | 1 |
| 21 | 60030047000 | CHAIN FAIL. PROTECTION LC8 03 | 1 |
| 22 | 60032063000 | ADAPTER F. HYDR. CLUTCH 03 | 1 |
| 25 | 0015060353 | HH COLLAR SCREW M 6X35 WS=8 | 2 |
| 26 | 0985060003 | SELF LOCK. NUT DIN0985-M 6 | 2 |
| 27 | 49030029000 | OIL DRAIN PLUG M10X1,5 AH-WS=6 | 1 |
| 28 | 0603100141 | COPPER GASKET DIN7603-10X14X1 | 1 |
| 29* | 60038029200 | REDUCING JET "30" M6X0,75 | 1 |
| 30 | 0015060403 | HH COLLAR SCREW M 6X40 WS=8 | 4 |
| 31 | 0015060603 | HH COLLAR SCREW M 6X60 WS=8 | 5 |
| 32 | 0015060653 | HH COLLAR SCREW M 6X65 WS=8 | 3 |
| 33 | 0015060703 | HH COLLAR SCREW M 6X70 WS=8 | 1 |
| 34 | 0015060753 | HH COLLAR SCREW M 6X75 WS=8 | 4 |
| 37 | 0015060903 | HH COLLAR SCREW M 6X90 WS=8 | 4 |
| 40 | 0551060050 | THREAD PIN DIN0551-M 6X 5 | 2 |
| 45 | 0912040103 | AH.SCREW DIN0912-M 4X10 | 2 |
| 46 | 0770035020 | O-RING 3,5X2,00 NBR | 4 |

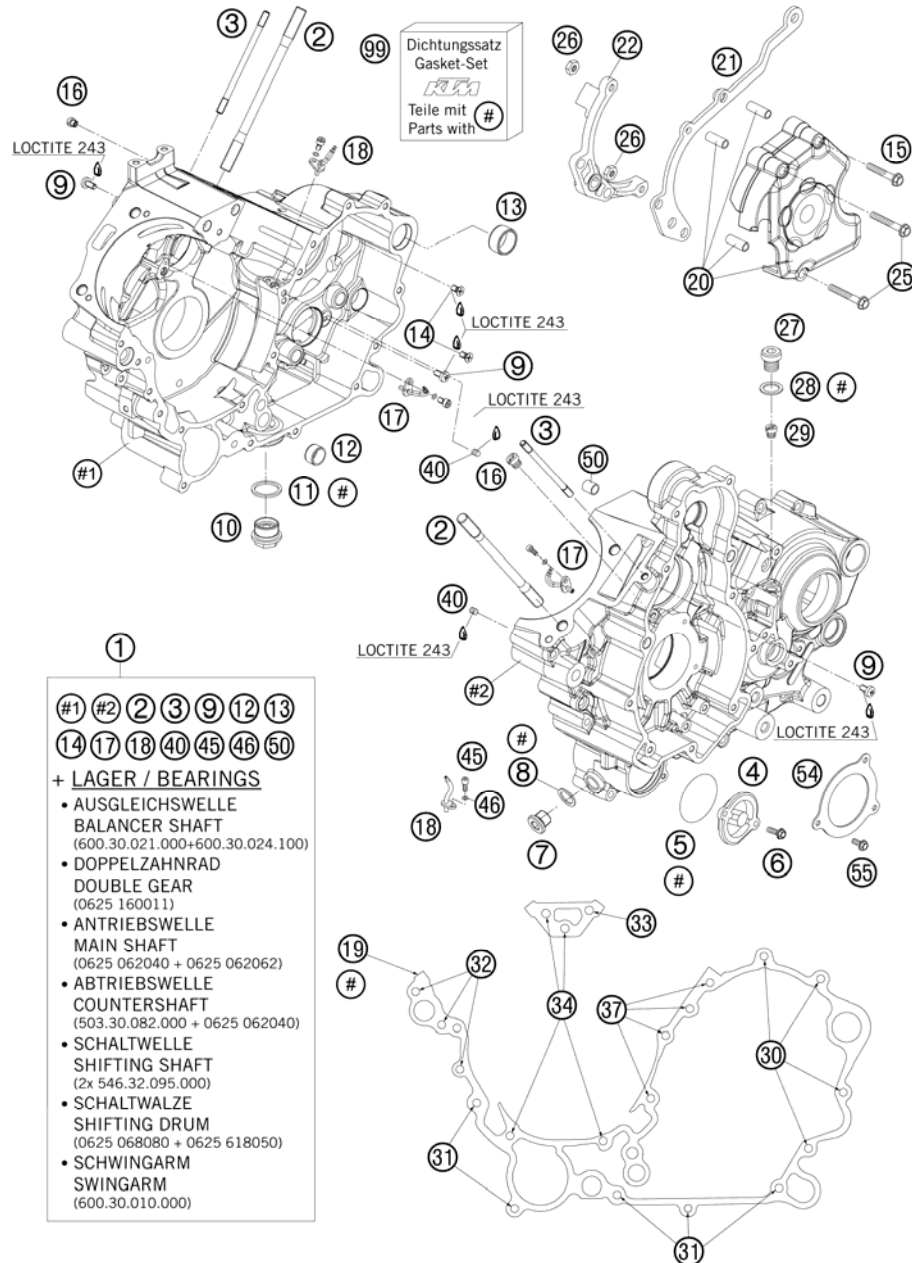
086113011 / C086113011

* NEW PART

X AS REQUIRED

ENGINE CASE

990 SUPERDUKE R 2008



| FIG | PART NUMBER | DESCRIPTION | QTY |
|-----|-------------|-------------------------------|-----|
| 50 | 49030090000 | DOWEL 9,8 X 7 X 10 | 2 |
| 54 | 60030084000 | BRACKET FOR BEARING INSERT 05 | 2 |
| 55 | 0015050123 | HH COLLAR SCREW M 5X12 WS=8 | 6 |
| 99 | 60030099000 | GASKET SET CPL. 03 | 1 |

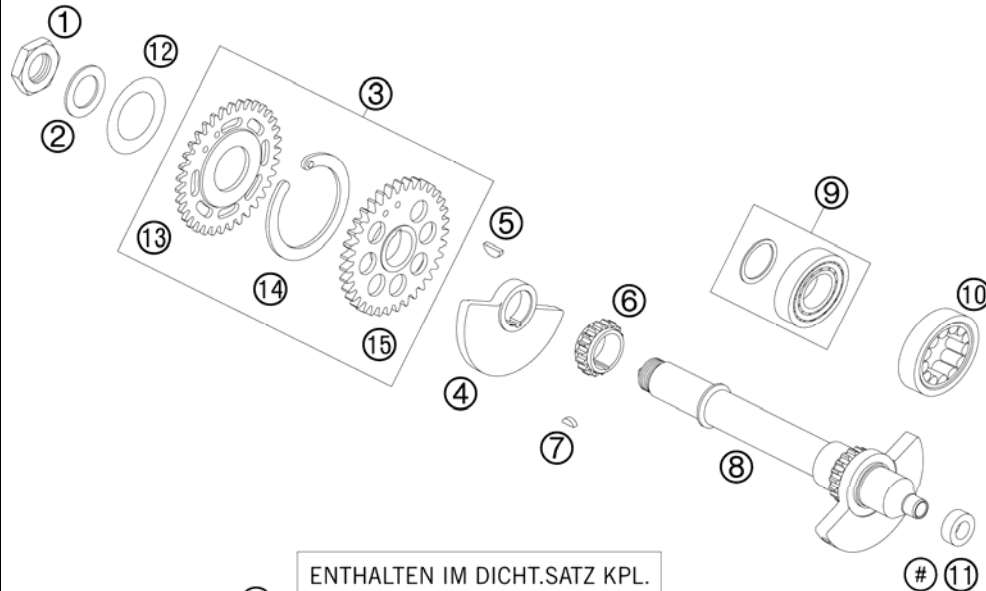
086113011 / C086113011

* NEW PART

X AS REQUIRED

BALANCER SHAFT

990 SUPERDUKE R 2008



ENTHALTEN IM DICHT.SATZ KPL.
INCLUDED IN GASKET-SET CPL.
600.30.099.000

| FIG | PART NUMBER | DESCRIPTION | QTY |
|-----|-------------|--------------------------------|-----|
| 1 | 60036073150 | HEXAGON NUT M20X1,5 H=6MM 05 | 1 |
| 2 | 60033043000 | STOP DISK 20,2 X 34 X 1 | 1 |
| 3 | 60036081000 | SPREAD TRANSMISSION 05 | 1 |
| 4* | 61136074050 | BALANCER SHAFT WEIGHT R/S | 1 |
| 5 | 0888040050 | WOODRUFF KEY DIN6888 4X5X13 | 1 |
| 6 | 60036014018 | TIMING GEAR 18-T 03 | 1 |
| 7 | 0888030037 | WOODRUFF KEY DIN6888-3X3,7 | 1 |
| 8* | 61136073000 | TIMING VALVE JACKSHAFT CPL. | 1 |
| 9 | 60030024100 | CYL. ROLLER BEAR. NUP 204E | 1 |
| 10 | 60030021000 | CYL.ROLLER BEARING 26,5X47X14 | 1 |
| 11 | 0760122050 | SHAFT SEAL RING 12X20X5 B | 1 |
| 12 | 0093463006 | SPRING WASH. 30,5X46,5X0,6-1,5 | 1 |
| 13 | 60036083035 | CLAMPING WHEEL 35-Z 05 | 1 |
| 14 | 60036081050 | TENSION SPRING 05 | 1 |
| 15 | 60036082035 | DRIVE WHEEL 35-T 05 | 1 |

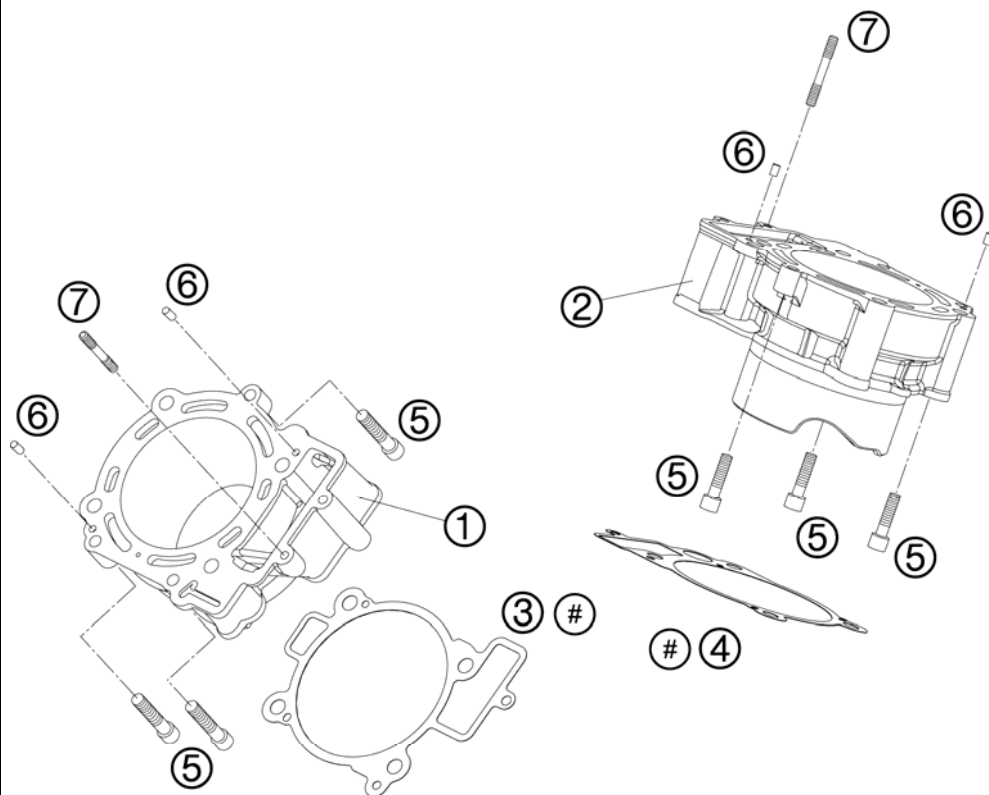
086013030 / C086113030

* NEW PART

X AS REQUIRED

CYLINDER

990 SUPERDUKE R 2008



ENTHALTEN IM DICHTUNGSSATZ KPL.
INCLUDED IN GASKET-SET CPL.
600.30.099.000

ENTHALTEN IM DICHT.SATZ ZYL.KOPF
INCLUDED IN GASKET-SET CYL. HEAD
600.30.097.000

| FIG | PART NUMBER | DESCRIPTION | QTY |
|-----|-------------|--------------------------------|-----|
| 1 | 61030005000 | CYLINDER 05 | 1 |
| 2 | 61030105000 | CYLINDER 05 | 1 |
| 3 | 60030035000 | CYLINDER-BASE GASKET FR 0,35MM | 1 |
| 4 | 60030135000 | CYLINDER-BASE GASKET RR 0,35MM | 1 |
| 5 | 0912080353 | AH SCREW DIN0912-M 8X35 | 6 |
| 6 | 0474050100 | GROOVED PIN DIN1474 5X10 | 4 |
| 7 | 60030043020 | STUD M6X47 03 | 2 |

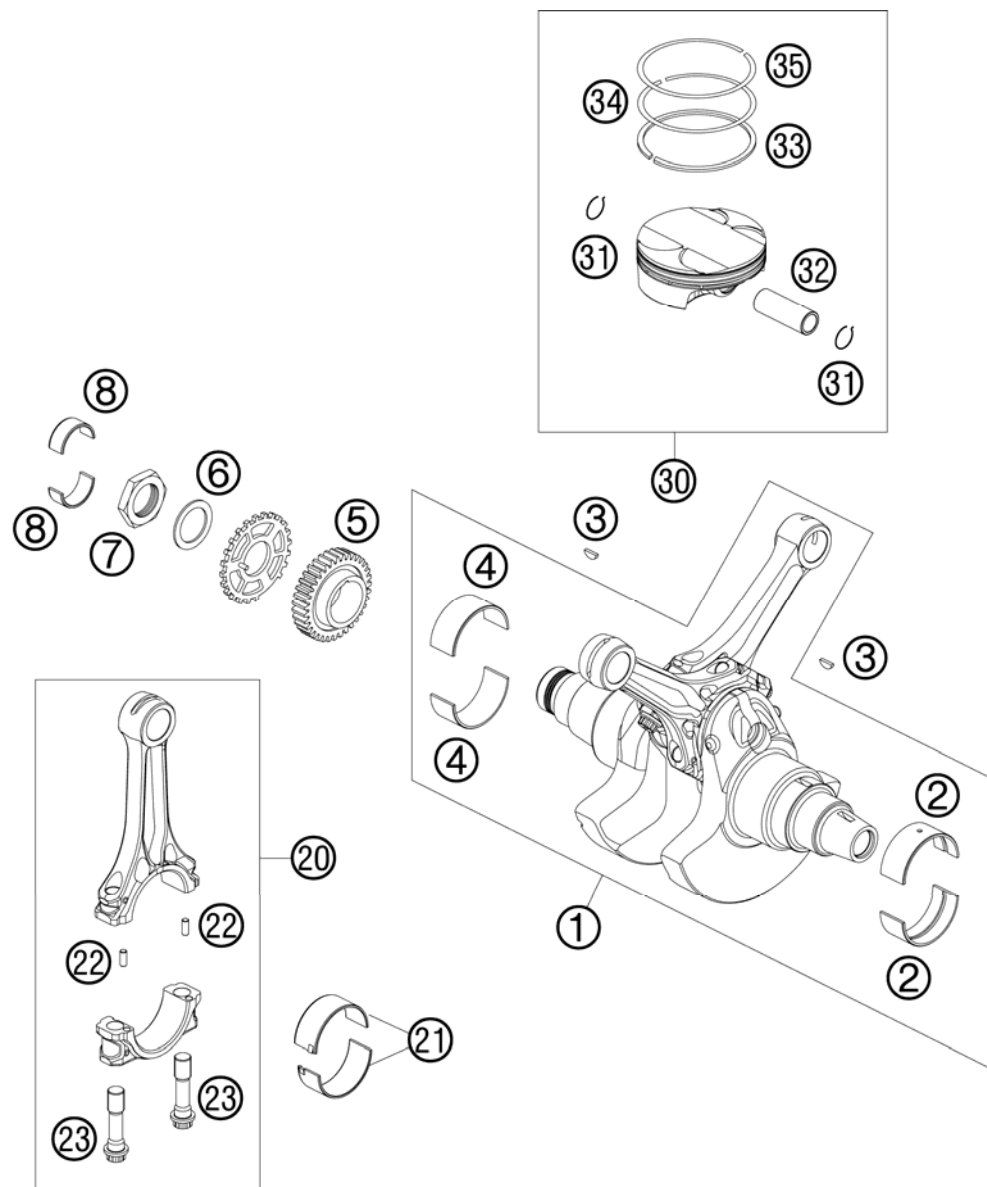
086013040 / C086113040

* NEW PART

X AS REQUIRED

CRANKSHAFT, PISTON

990 SUPERDUKE R 2008



| FIG | PART NUMBER | DESCRIPTION | QTY |
|-----|----------------|--------------------------------|-----|
| 1* | 61130018000 | CRANKSHAFT CPL. | 1 |
| 2 | 60030082000 1 | SPLIT BEAR.BUSH SIZE 1 RED 03 | x |
| 2 | 60030082000 2 | SPLIT BEAR.BUSH SIZE 2 BLUE 03 | x |
| 2 | 60030082000 3 | SPLIT BEAR.BUSH SIZE 3 YELL.03 | x |
| 3 | 0888040050 | WOODRUFF KEY DIN6888 4X5X13 | 2 |
| 4 | 60030182000 1 | SPLIT BEAR.BUSH SIZE 1 RED 03 | x |
| 4 | 60030182000 2 | SPLIT BEAR.BUSH SIZE 2 BLUE 03 | x |
| 4 | 60030182000 3 | SPLIT BEAR.BUSH SIZE 3 YELL.03 | x |
| 5 | 60032023035 | PRIMARY PINION 35 T 03 | 1 |
| 6 | 60032009040 | WASHER 33,2X46X2 03 | 1 |
| 7 | 60032009050 | HH-NUT M33X1,5 L/S WS46 03 | 1 |
| 8 | 60030026010 | BUSHING BOWL 28X32X13 03 | 2 |
| 20* | 61130013044 | CONNECTING ROD CPL. | 2 |
| 21* | 612300150101 | SPLIT BEAR. BUSH RED 08 | x |
| 21* | 612300150102 | SPLIT BEAR. BUSH BLUE 08 | x |
| 21* | 612300150103 | SPLIT BEAR. BUSH YELLOW 08 | x |
| 22 | 0402040980 | NEEDLE ROL.DIN5402 NRB 4X9,8 | 4 |
| 23 | 60030015260 | CONNECTING-ROD BOLT MJ10X1 06 | 4 |
| 30* | 61130007000 I | PISTON D=101(F.41/33VALVE) | x |
| 30* | 61130007000 II | PISTON D=101(F.41/33VALVE) | x |
| 31 | 58430074000 | CIRCLIP 22 X 1,6 | 4 |
| 32* | 61230033000 | PISTON PIN D=20 08 | 2 |
| 33 | 61030032000 | OIL SCRAPER RING D=101MM | 2 |
| 34 | 58330932100 | TAP.COMPR.PISTON RING 101X1,25 | 2 |
| 35 | 61030030000 | PISTON RING "L" D=101 H=1,25 | 2 |

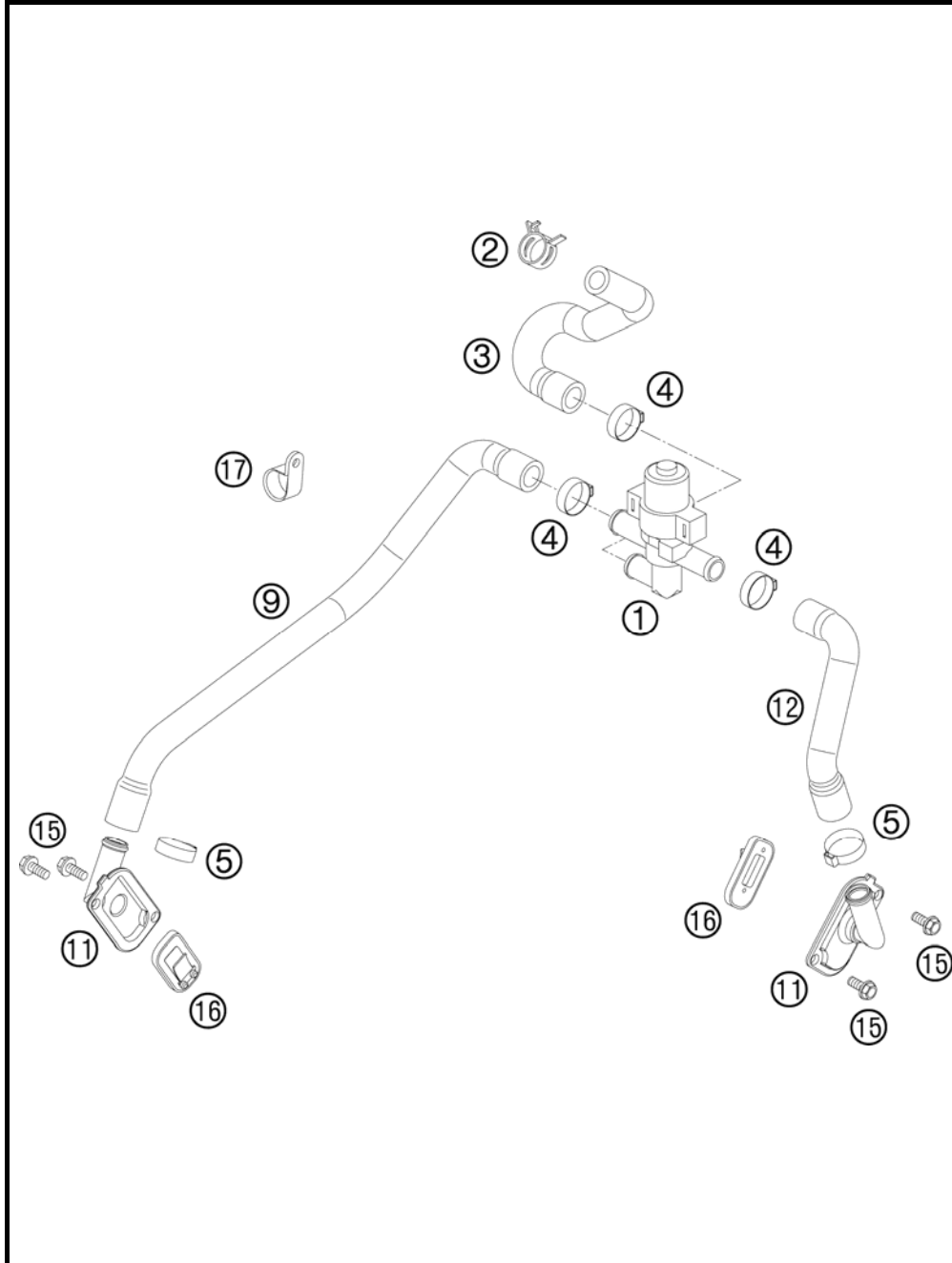
086113060 / C086113060

* NEW PART

X AS REQUIRED

SECONDARY AIR SYSTEM

990 SUPERDUKE R 2008

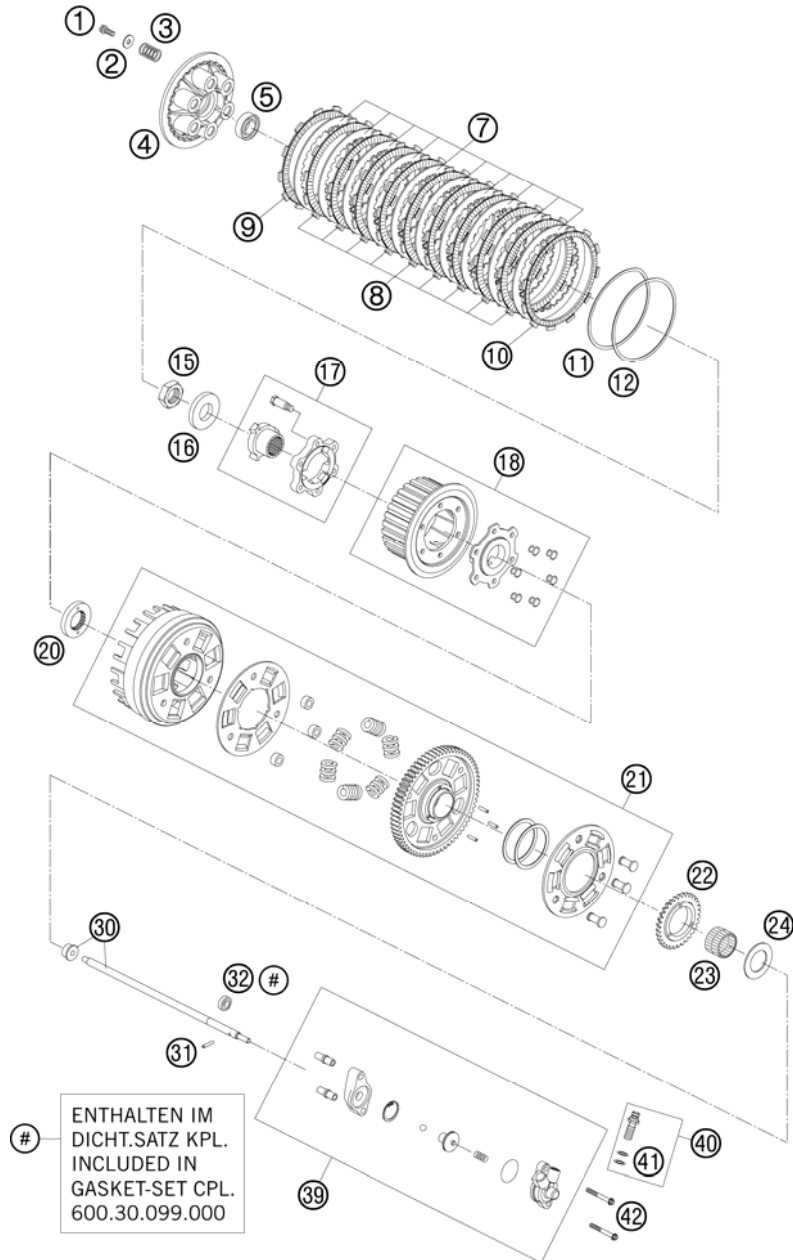


| FIG | PART NUMBER | DESCRIPTION | QTY |
|-----|-------------|-------------------------------|-----|
| 1 | 61005026000 | CONTROL VALVE SAS | 05 |
| 2 | 00049190121 | CLAMP STD DN19 | 1 |
| 3 | 61005035023 | SAS HOSE AIRBOX | 05 |
| 4 | 00050226706 | VARIABLE ONE-EAR CLAMP 22,6MM | 3 |
| 5 | 00050210706 | VARIABLE ONE-EAR CLAMP 21,0MM | 2 |
| 9 | 61005035021 | SAS HOSE CYLINDER FRONT | 05 |
| 11 | 60005022000 | SAS FLANGE | 03 |
| 12 | 61005035022 | SAS HOSE CYLINDER REAR | 05 |
| 15 | 0015060123 | HH COLLAR SCREW M 6X12 WS=8 | 4 |
| 16 | 60005026000 | SLS-VALVE | 03 |
| 17 | 57013070400 | PVC CLAMP 17,4MM HEYCO 3381 | 1 |

086013130 / C086013130

* NEW PART

X AS REQUIRED



| FIG | PART NUMBER | DESCRIPTION | QTY |
|-----|-------------|--------------------------------|-----|
| 1 | 0015060163 | HH COLLAR SCREW M 6X16 WS=8 | 6 |
| 2 | 0021060003 | WASHER DIN9021-A 6,4 | 6 |
| 3 | 60032005000 | CLUTCH SPRING LC8 2003 | 6 |
| 4 | 60032003000 | PRESSURE CAP LC8 2003 | 1 |
| 5 | 0625060032 | BALL BEARING 6003 JR2 C4 | 1 |
| 7 | 60032010000 | STEEL DISC 2MM | 10 |
| 8 | 60032011000 | LINING DISK 2,8MM | 9 |
| 9 | 60032111000 | LINING DISK OUTSIDE 2,8MM | 03 |
| 10 | 60032012000 | LINING DISK TURN OUT 2,8MM | 03 |
| 11 | 60032034000 | BELLEVILLE SPRING 2003 | 1 |
| 12 | 60032035000 | THRUST WASHER 2003 | 1 |
| 15 | 0936220155 | HEXAGON NUT DIN0936-M22X1,5 R. | 1 |
| 16* | 0125220393 | PULLEY 22X39X3MM | 1 |
| 17 | 60032080000 | CLUTCH BOOSTER UNIT CPL. 03 | 1 |
| 18 | 60032002000 | INNER CLUTCH HUB CPL. 03 | 1 |
| 20 | 60032021000 | SECTION WASHER 03 | 1 |
| 21 | 60032001144 | OUT.CLUTCH HUB CPL. 67-T 2004 | 1 |
| 22* | 60038001132 | OIL PUMP GEAR WHEEL 32-T 07 | 1 |
| 23 | 0618303526 | NEEDLE BUSH HK 30X35X26 | 1 |
| 24 | 60032020000 | STOP DISK 30,2/50/2 | 1 |
| 30 | 60032054400 | PUSH ROD CPL. | 1 |
| 31 | 0402031780 | NEEDLE ROL.DIN5402 NRB 3X17,8 | 1 |
| 32 | 0760091862 | SHAFT SEAL RING 9X18X06 B-NBR | 1 |
| 39* | 60032061244 | CYLINDER CPL. LC8 08 | 1 |
| 40 | 50332062000 | HOLLOW SCREW CPL. M 10X1 '98 | 1 |
| 41 | 0603100141 | COPPER GASKET DIN7603-10X14X1 | 2 |
| 42 | 0015060503 | HH COLLAR SCREW M 6X50 WS=8 | 2 |

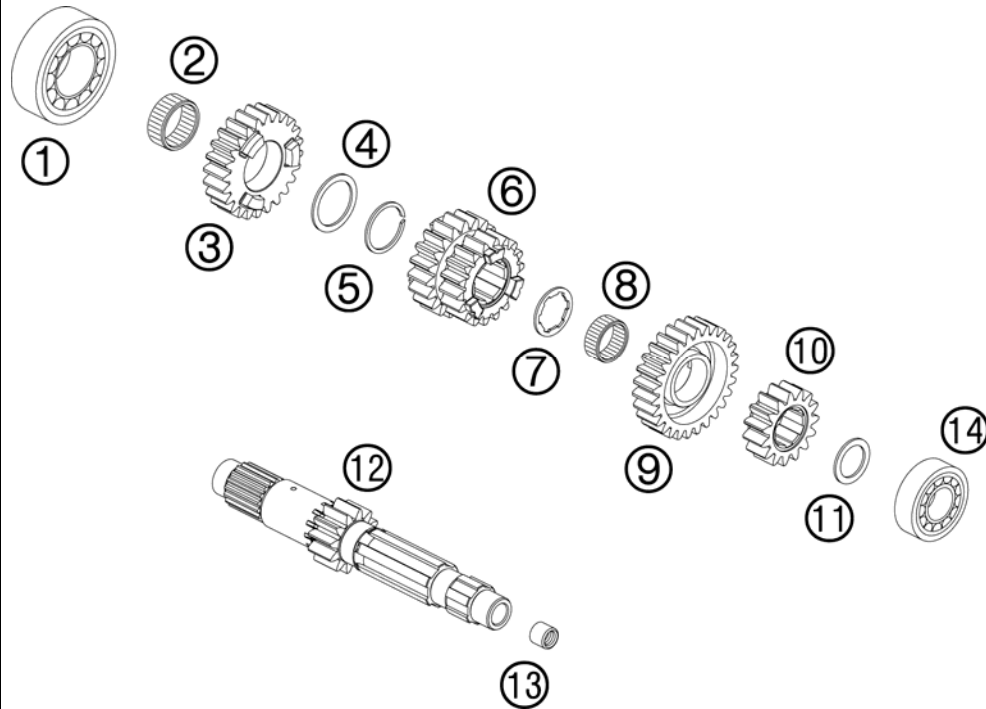
086253211 / C086253211

* NEW PART

X AS REQUIRED

TRANSMISSION I - MAIN SHAFT

990 SUPERDUKE R 2008



| FIG | PART NUMBER | DESCRIPTION | QTY |
|-----|-------------|-------------------------------|-----|
| 1 | 0625062062 | BALL BEARING 6206 C3 J1 NSK | 1 |
| 2 | 0405263113 | NEEDLE BEAR. K 26-31-13 | 1 |
| 3 | 61033005000 | IDLER 5. GEAR 05 | 1 |
| 4 | 60033042000 | STOP DISK 28,3/35,75/1,5 | 1 |
| 5 | 0417280150 | LOCK RING DIN5417-WS28 | 1 |
| 6 | 61033003000 | SLIDING GEAR 3/4 GEAR 05 | 1 |
| 7 | 60033041000 | STOP DISK 22,2/30,2/1,5 | 1 |
| 8 | 0405222613 | NEEDLE BEAR. K 22X26X13 TN | 1 |
| 9 | 61033006000 | IDLER 6. GEAR 05 | 1 |
| 10* | 61033002100 | 2ND GEAR MAINSHAFT 610 2P16-1 | 1 |
| 11 | 60033040015 | STOP DISK 20,2X28X1,5 | 1 |
| 11 | 60033040016 | STOP DISK 20,2/28/1,6 | 1 |
| 11 | 60033040017 | STOP DISK 20,2/28/1,7 | 1 |
| 11 | 60033040018 | STOP DISK 20,2/28/1,8 | 1 |
| 11 | 60033040019 | STOP DISK 20,2/28/1,9 | 1 |
| 11 | 60033040020 | STOP DISK 20,2/28/2,0 | 1 |
| 11 | 60033040021 | STOP DISK 20,2/28/2,1 | 1 |
| 11 | 60033040022 | STOP DISK 20,2/28/2,2 | 1 |
| 12 | 61033001000 | MAIN SHAFT 05 | 1 |
| 13 | 0618091312 | NEEDLE BUSH HK0912 9/13/12 03 | 1 |
| 14 | 0625062040 | BALL BEARING 6204 DU J1 C3 | 1 |

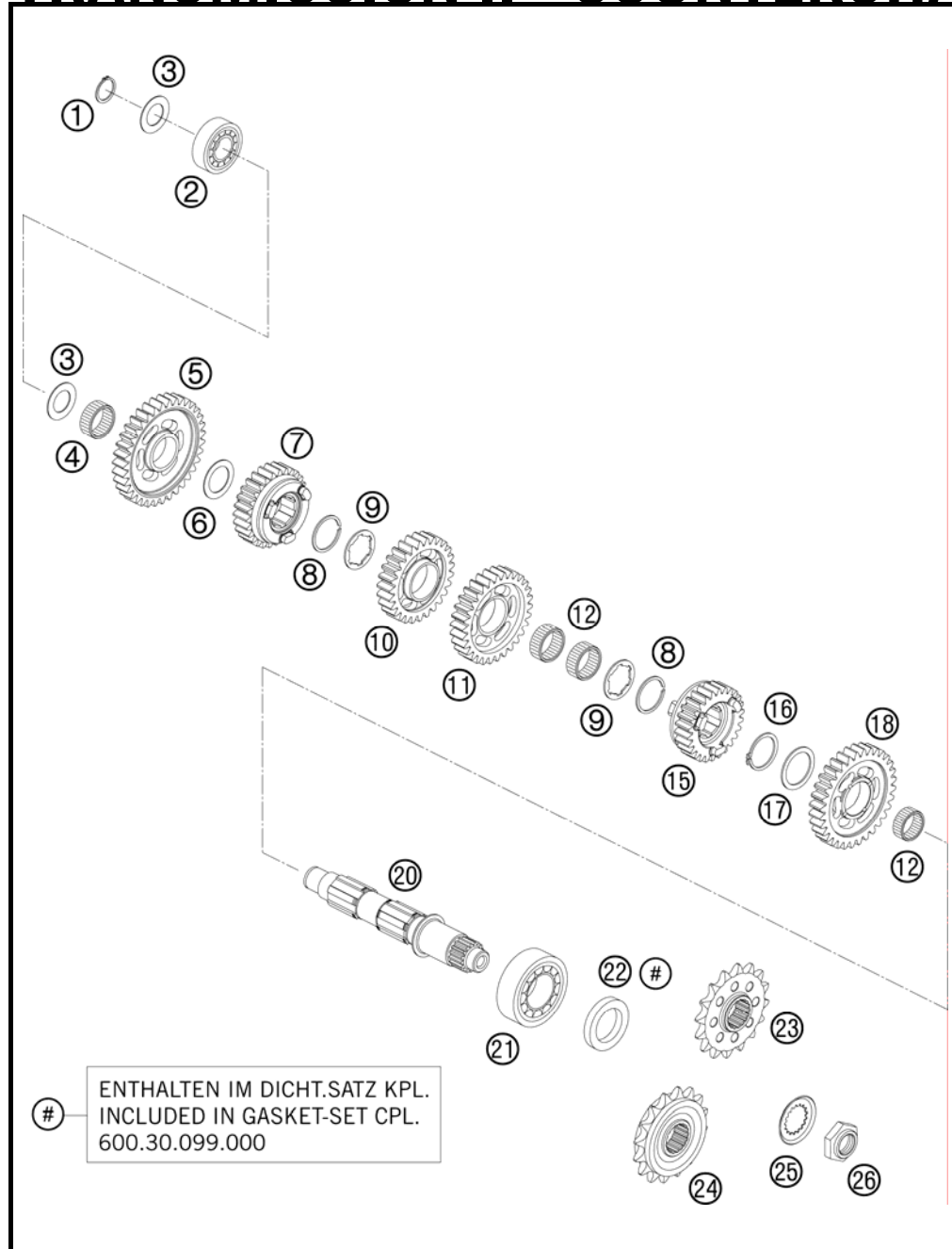
086113331 / C086103331

* NEW PART

X AS REQUIRED

TRANSMISSION II - COUNTERSHAFT

990 SUPERDUKE R 2008



| FIG | PART NUMBER | DESCRIPTION | QTY |
|-----|-------------|--------------------------------|-----|
| 1 | 0471200120 | CIRCLIP DIN471 20X1,2 | 1 |
| 2 | 0625062040 | BALL BEARING 6204 DU J1 C3 | 1 |
| 3 | 60033043000 | STOP DISK 20,2 X 34 X 1 | 2 |
| 4 | 0405242813 | NEEDLE BEAR. K 24X28X13 TN | 1 |
| 5 | 61033011000 | IDLER 1. GEAR 05 | 1 |
| 6 | 60033044000 | STOP DISK 24,3/35,75/1 | 1 |
| 7 | 61033015000 | 5TH GEAR MAINSHAFT 05 | 1 |
| 8 | 0417300151 | LOCK RING WS 30 | 2 |
| 9 | 60033045000 | STOP DISK 26,2/36/1,5 | 2 |
| 10 | 61033014000 | IDLER GEAR 4TH G 05 | 1 |
| 11 | 61033013000 | IDLER 3. GEAR 05 | 1 |
| 12 | 0405263113 | NEEDLE BEAR. K 26-31-13 | 3 |
| 15 | 61033016000 | 6th gear mainshaft 05 | 1 |
| 16 | 0471300151 | CIRCLIP DIN0471-30X1,5 NIRO | 1 |
| 17 | 60033046000 | STOP DISK 30,2/39/1,5 | 1 |
| 18 | 61033012000 | IDLER 2. GEAR 05 | 1 |
| 20 | 60033010000 | COUNTERSHAFT 03 | 1 |
| 21 | 50330082000 | CYL.ROLLER BEAR.NJ206 ET2XCS46 | 1 |
| 22 | 0760304772 | SH.SEAL RING 30X47X7 BSL VITON | 1 |
| 23 | 60033029016 | CHAIN SPROCKET 16-T 03 | x |
| 23 | 60033029017 | CHAIN SPROCKET 17-T 03 | x |
| 24* | 60033129016 | CHAIN SPROCKET 16-T DAMP 03 | 1 |
| 24 | 60033129017 | CHAIN SPROCKET 17-T DAMPED 03 | x |
| 25 | 60033034000 | SECURING PLATE TOOTHED 03 | 1 |
| 26 | 60033035000 | HEXAGON NUT M20X1,5 03 | 1 |

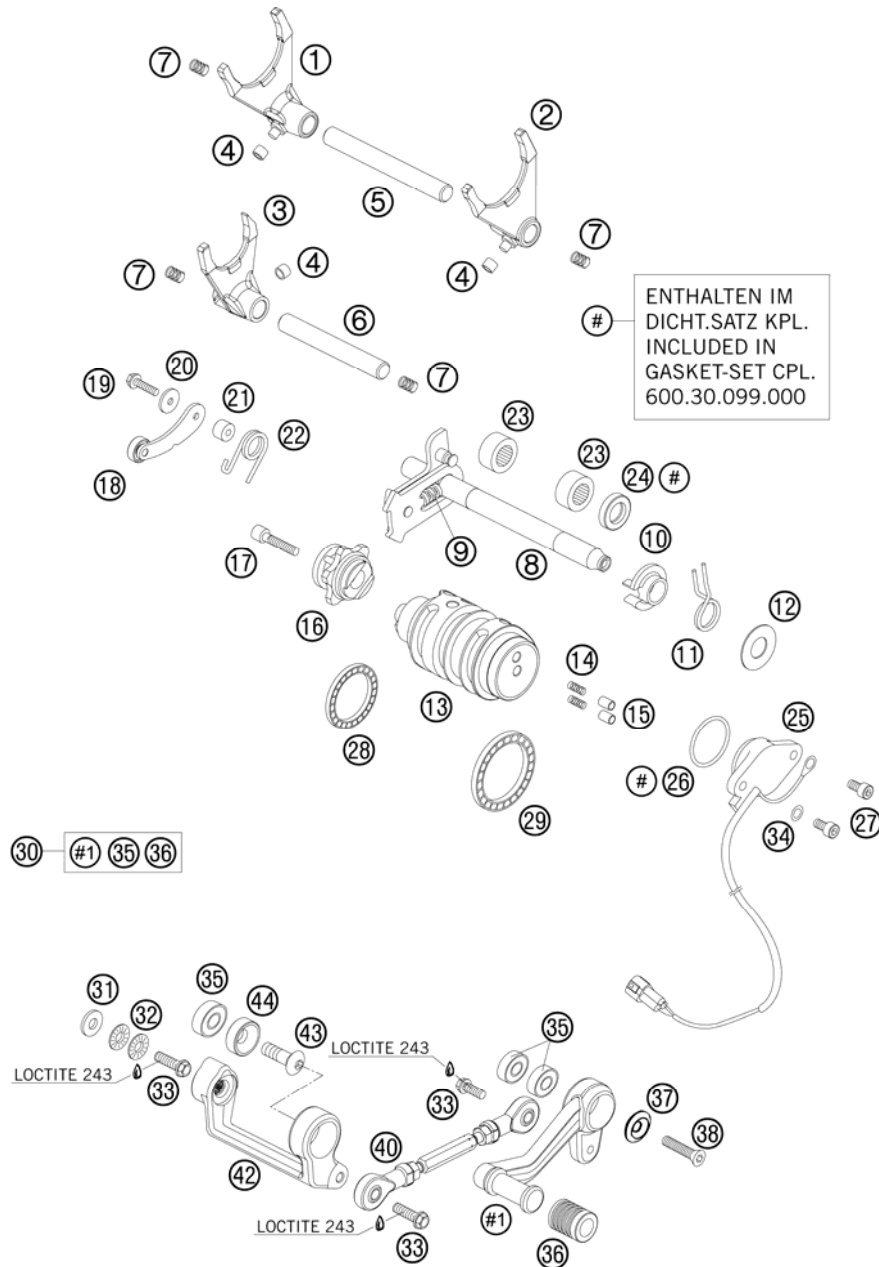
086113361 / C086113361

* NEW PART

X AS REQUIRED

SHIFTING MECHANISM

990 SUPERDUKE R 2008



| FIG | PART NUMBER | DESCRIPTION | QTY |
|-----|----------------|--------------------------------|-----|
| 1* | 60034001100 | SHIFT FORK 1-4 GEAR | 1 |
| 2* | 60034002100 | SHIFT FORK 2-3 GEAR | 1 |
| 3* | 60034003100 | SHIFT FORK 5-6 GEAR | 1 |
| 4 | 50334018100 | SHIFTING ROLLER 6X8X5,2 | 3 |
| 5 | 59034020000 | SHIFT RAIL 11,8X105MM | 1 |
| 6 | 59034019000 | SHIFT RAIL 11,8X89MM | 1 |
| 7 | 58038023200 | PRESSURE SPRING 0,9MM | 4 |
| 8 | 60034005044 | SHIFT SHAFT CPL. 03 | 1 |
| 9 | 56534013100 | TENSIONING SPRING 0,8MM | 1 |
| 10 | 54634020000 | SPRING GUIDE | 1 |
| 11 | 54634014100 | RETURN SPRING 2,2MM '95 | 1 |
| 12 | 54634050000 | STOP DISK 14X30X1 | 1 |
| 13 | 60034012300 | SHIFT ROLLER CPL. 06 | 1 |
| 14 | 60034014000 | CONTACT SPRING 03 | 2 |
| 15 | 60034037000 | CONTACT BOLT 03 | 2 |
| 16 | 60034015044 | SHIFT ARRESTING CPL. 03 | 1 |
| 17 | 0012060303 | AH SCREW DIN6912 M6X30 8.8 | 1 |
| 18 | 60034024044 | ARRESTING LEVER CPL. 03 | 1 |
| 19 | 0015050203 | HH COLLAR SCREW M 5X20 WS=8 | 1 |
| 20 | 0349000050 | WASHER DIN7349-5X15X2 | 1 |
| 21 | 54634052300 | SLEEVE FOR LOCKING LEVER | 1 |
| 22 | 60034023000 | ARRESTING LEVER SPRING 03 | 1 |
| 23 | 54632095000 | NEEDLE BEAR.HK 1412 14X20X12 | 2 |
| 24 | 0760142460 | SHAFT SEAL RING 14X24X6 B | 1 |
| 25 | 60011023100 | GEAR-POSITION SENSOR 06 | 1 |
| 26 | 0770275025 | O-RING 27,5X2,5 NBR | 1 |
| 27 | 0912050123 | AH SCREW DIN0912-M 5X12 | 2 |
| 28 | 0625618050 | BALL BEARING 61805 C3 | 1 |
| 29 | 0625068080 | GROOVED BALL BEARING 6808 JRC3 | 1 |
| 30 | 6103403104401S | SHIFT LEVER CPL. NATURAL 07 | 1 |
| 30 | 6103403104433S | SHIFT LEVER CPL. BLACK 07 | 1 |
| 31 | 50232050001 | STEEL WASHER 6,4X17X3 | 1 |
| 32 | 50233041000 | PAIR OF WASHERS M 6 NORDLOCK | 1 |
| 33 | 59009062019 | SPECIAL SCREW M6X19 WS=8 10.9 | 3 |
| 34 | 0125050003 | WASHER DIN0125-A 5,3 | 1 |
| 35 | 0625006087 | GROOVED BALL BEAR. 608 2RS C3 | 3 |

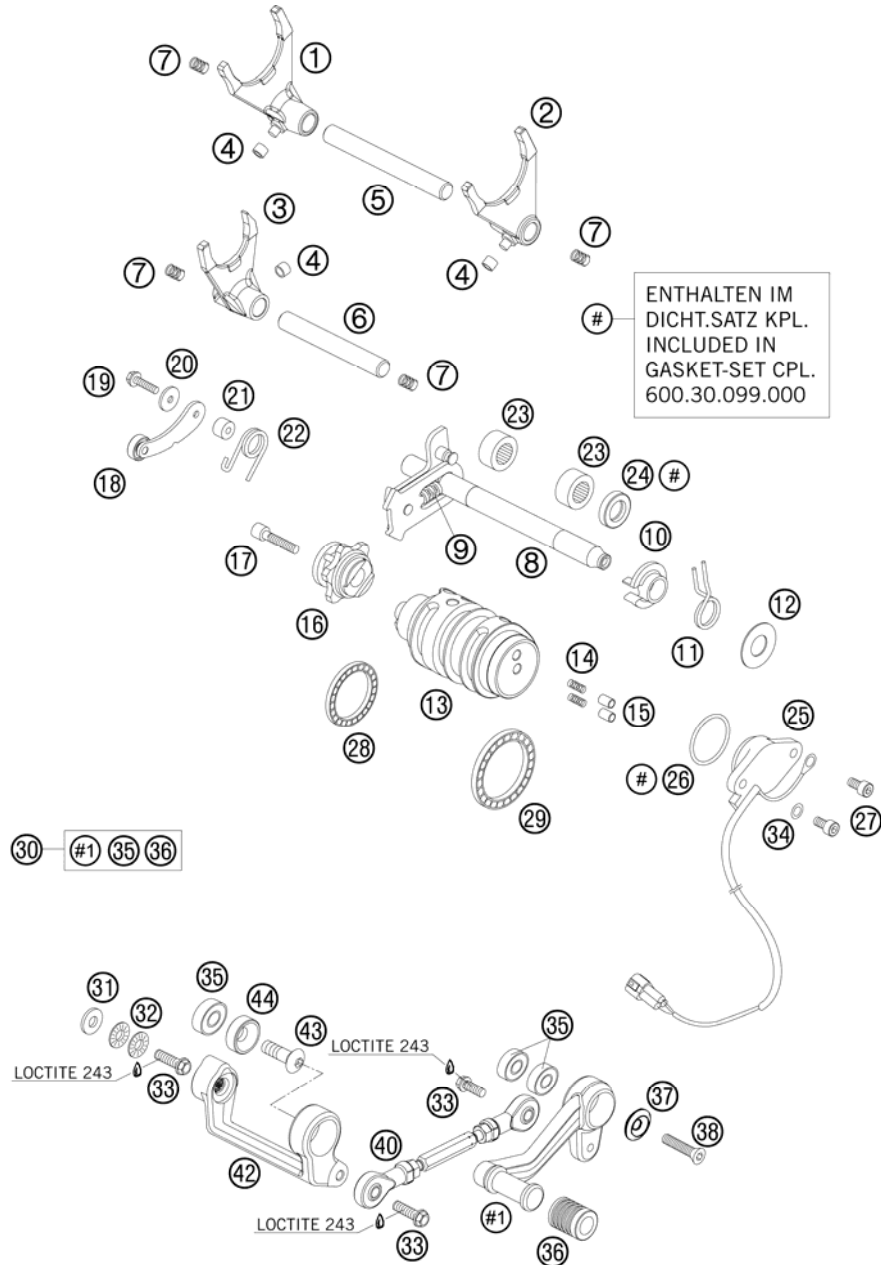
086113410 / C086113410

* NEW PART

X AS REQUIRED

SHIFTING MECHANISM

990 SUPERDUKE R 2008



| FIG | PART NUMBER | DESCRIPTION | QTY |
|-----|----------------|--------------------------------|-----|
| 36 | 61034035000 | RUBBER FOR SHIFT LEVER 05 | 1 |
| 37 | 58303061100 | SPECIAL WASHER ALU 8X24 MM ELO | 1 |
| 38 | 61013059000 | FLAT HEAD SCREW M8X32 SL 05 | 1 |
| 40 | 61034036044 | SHIFT ROD CPL. 05 | 1 |
| 42 | 6103403000001S | RELAY LEVER NATURAL 07 | 1 |
| 43* | 0019080266S | COUNTER-SUNK SCREW ISA45 M8X26 | 1 |
| 44 | 61034030050 | WASHER COUNT. 8,5X21X7,804 | 1 |

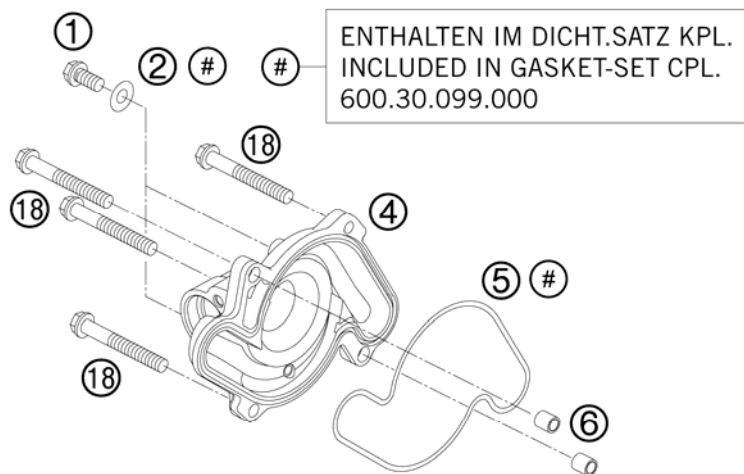
086113410 / C086113410

* NEW PART

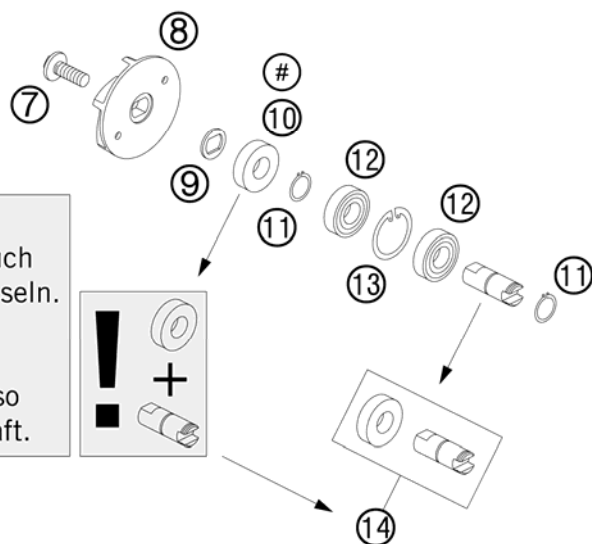
X AS REQUIRED

WATER PUMP

990 SUPERDUKE R 2008



ENTHALTEN IM DICHT.SATZ KPL.
INCLUDED IN GASKET-SET CPL.
600.30.099.000



ACHTUNG !!!
Mit dem Wellendichtring auch
die Wasserpumpenwelle wechseln.

CAUTION !!!
With the shaft seal ring also
change the water-pump shaft.

| FIG | PART NUMBER | DESCRIPTION | QTY |
|-----|-------------|--|-----|
| 1 | 0015060103 | HH COLLAR SCREW M 6X10 WS=8 | 2 |
| 2 | 0603061001 | CU-SEAL RING DIN7603-6X10X1 | 2 |
| 4* | 61135052000 | WATERPUMP COVER | 1 |
| 5 | 60035053000 | WATER-PUMP GASKET 03 | 1 |
| 6 | 59030023000 | DOWEL 6X8X11,5 | 2 |
| 7 | 0014060153 | HH COLLAR SCREW M 6X15 WS=8 | 1 |
| 8* | 61235055000 | WATER PUMP ROTOR 08 | 1 |
| 9 | 60035055150 | FORM WASHER 16X1 NIRO 03 | 1 |
| 10 | 0760123073 | SHAFT SEAL RING 12X30X7 PTFE DOUBLE-LIP | 1 |
| 11 | 0471120010 | CIRCLIP DIN0471-12X1 | 2 |
| 12 | 0625069010 | GROOVED BALL BEARING 6901V C3 | 2 |
| 13 | 0472240120 | CIRCLIP DIN472 D=24X1,2 | 1 |
| 14* | 60035054144 | WATER PUMP SHAFT W/ SEAL RING INCL. SHAFT SEAL RING | 1 |
| 18 | 0015060603 | HH COLLAR SCREW M 6X60 WS=8 | 4 |

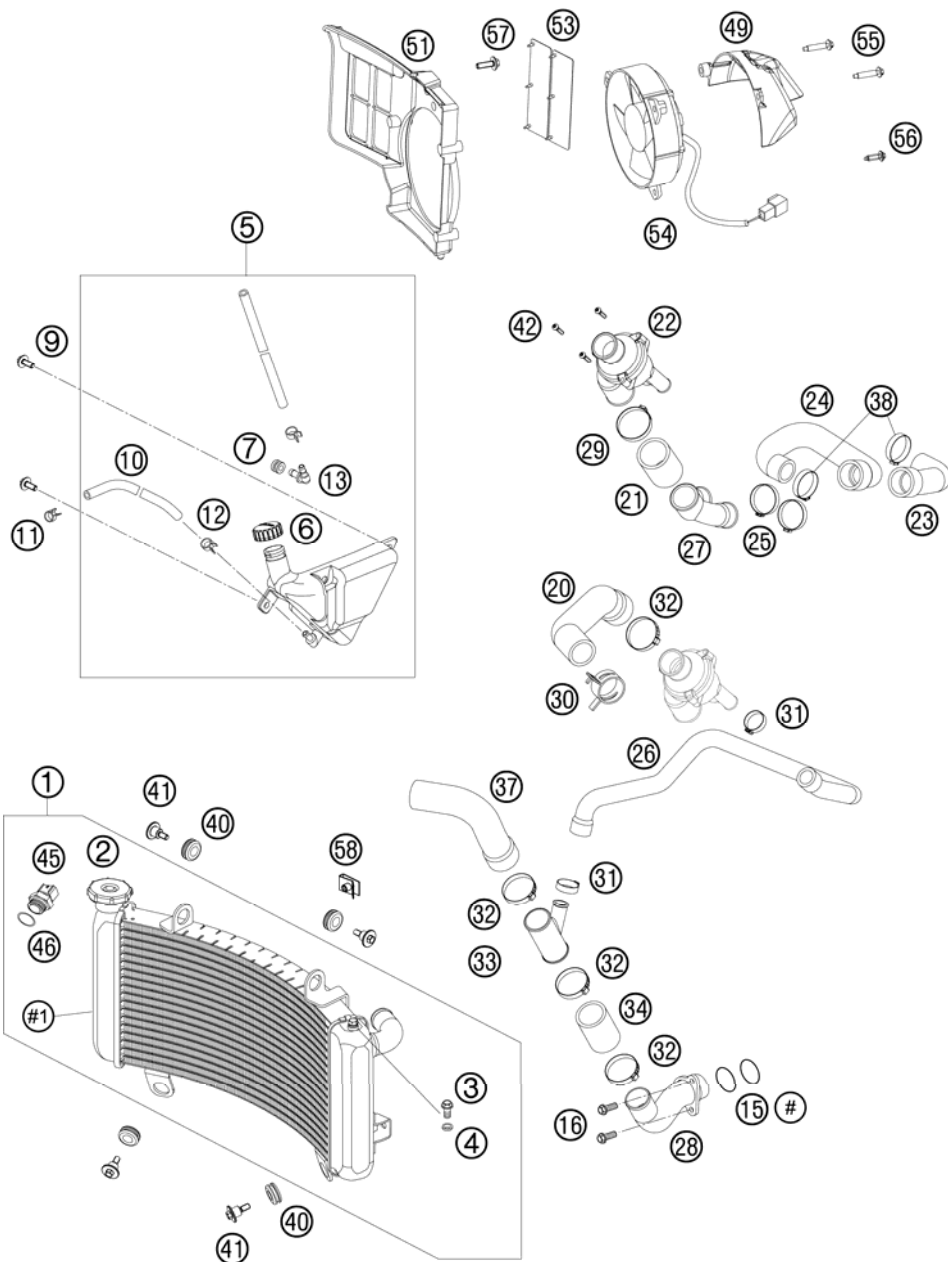
086113510 / C086113510

* NEW PART

X AS REQUIRED

COOLING SYSTEM

990 SUPERDUKE R 2008



| FIG | PART NUMBER | DESCRIPTION | QTY |
|-----|-------------|--------------------------------|-----|
| 1 | 61035010000 | RADIATOR 990 DUKE 05 | 1 |
| 2 | 61035016000 | RADIATOR CAP 990 DUKE 05 | 1 |
| 3 | 0015060103 | HH COLLAR SCREW M 6X10 WS=8 | 1 |
| 4 | 0125060003 | WASHER DIN0125-A 6,4 | 1 |
| 5 | 61035065000 | EXPANSION TANK CPL. 05 | 1 |
| 6 | 60035066000 | PLUG F. EXPANSION TANK | 1 |
| 7 | 58214069051 | RUBBER GROMMET 16X10,8X3 02 | 1 |
| 9 | 0014060153 | HH COLLAR SCREW M 6X15 WS=8 | 2 |
| 10 | 60035067001 | HOSE 6X10 EPDM 03 | x |
| 11 | 50231005000 | HOSE CLAMP YDNAC 10119 11MM | 1 |
| 12 | 58007117000 | YDNAC-CLAMP 10107 10MM | 2 |
| 13* | 61135028000 | PREF. HOSE THERM./COOLER 08 | 1 |
| 15 | 0770280030 | O-RING 28,00X3,00 NBR 08 | 2 |
| 16 | 0015060603 | HH COLLAR SCREW M 6X60 WS=8 | 2 |
| 20* | 61135028000 | PREF. HOSE THERM./COOLER 08 | 1 |
| 21* | 61135028040 | PREF. HOSE THERM./CYL. L=40 08 | 1 |
| 22* | 61135013044 | THERMOSTAT CPL. | 1 |
| 23* | 61135026000 | PREF. HOSE THERM./CYL. REAR 08 | 1 |
| 24* | 61135027000 | PREF. HOSE THERM./CYL.FRONT 08 | 1 |
| 25 | 00050346706 | VARIABLE ONE-EAR CLAMP 34,6MM | 2 |
| 26* | 61135025000 | PREFORMED HOSE BYPASS 08 | 1 |
| 27* | 61135029000 | Y-CONNECT. PIECE THERM./CYL 08 | 1 |
| 28* | 61135021000 | PIPE WAPU 28X1,5 CPL. 08 | 1 |
| 29 | 00050396706 | VARIABLE ONE-EAR CLAMP 39,6MM | 1 |
| 30 | 00049320121 | CLAMP STD DN32 | 2 |
| 31 | 00050256706 | VARIABLE ONE-EAR CLAMP 25,6MM | 2 |
| 32 | 00050381706 | VARIABLE ONE-EAR CLAMP 38,1MM | 4 |
| 33* | 61135023000 | Y-CONNECTING PIECE WAPU BYPASS | 1 |
| 34* | 61135024040 | RADIATORHOSE RADIATOR/WAPU 08 | 1 |
| 37* | 61135024000 | PREFORMED HOSE COOLER/WAPU 08 | 1 |
| 38 | 00050316706 | VARIABLE ONE-EAR CLAMP 31,6MM | 2 |
| 40 | 41001052000 | RUBBER SLEEVE D=12MM | 4 |
| 41 | 60035001000 | SCREW RADIATOR BRACKET M6 03 | 4 |
| 42 | 0016040183 | SCREW FOR PLASTIC D=4X18 | 3 |
| 45 | 60035045000 | THERMOSWITCH LC8 102DG '03 | 1 |
| 46 | 0770017015 | O-RING 17X1,5 NB75 | 1 |

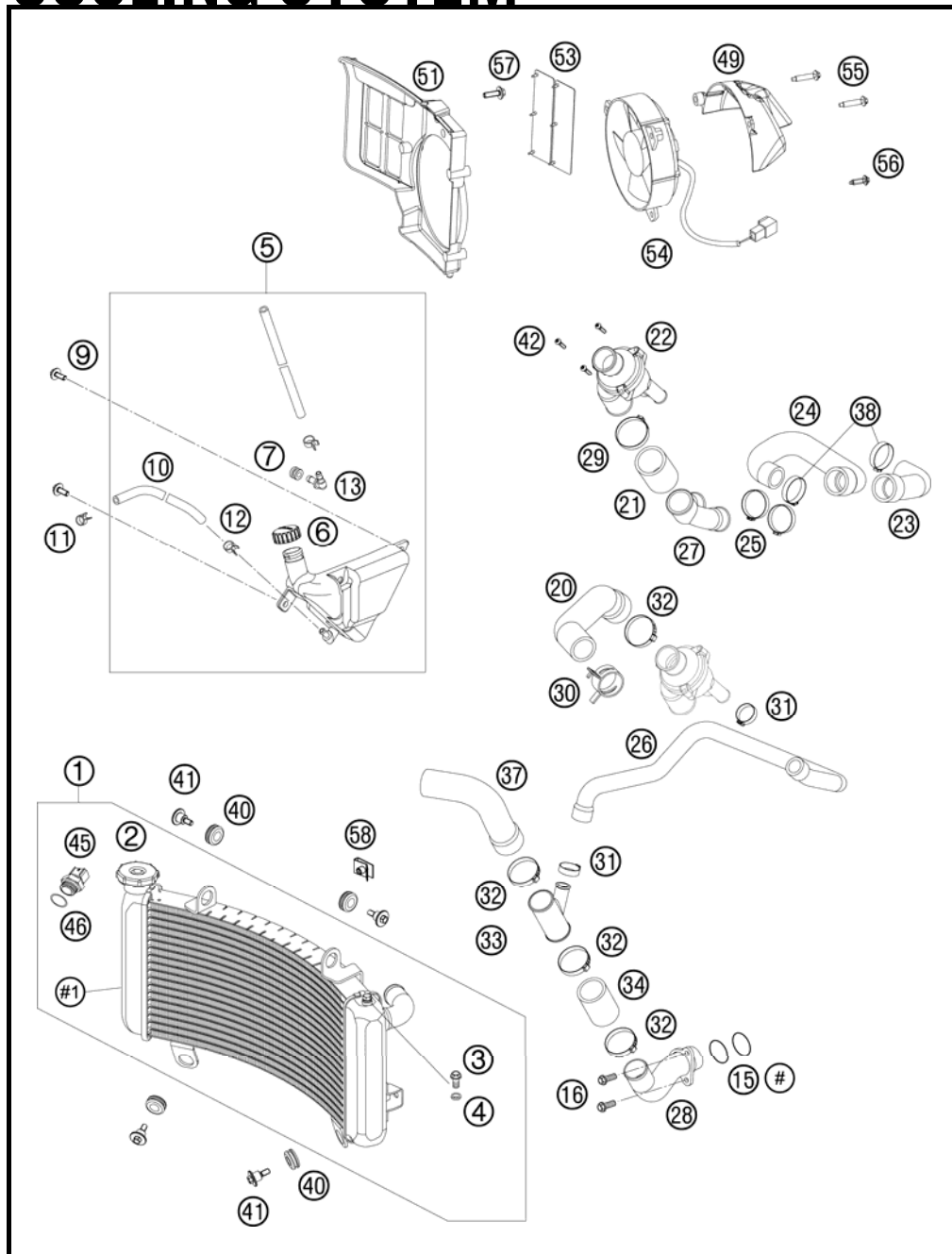
086113531 / C086113531

* NEW PART

X AS REQUIRED

COOLING SYSTEM

990 SUPERDUKE R 2008



| FIG | PART NUMBER | DESCRIPTION | QTY |
|-----|-------------|-----------------------------|-----|
| 49 | 61035044050 | FAN CAP 05 | 1 |
| 51 | 60035044000 | FAN COWL L/S 03 | 1 |
| 53 | 58435044050 | FAN FLAP RUBBER LC4 2000 | 2 |
| 54 | 60035041000 | FAN L/S 03 | 1 |
| 55 | 0017060303 | SPECIAL SCREW T60 6X30 WS=6 | 2 |
| 56 | 0017060203 | EJOT PT SCREW K60X20 WS=6 | 1 |
| 57 | 0014060203 | HH COLLAR SCREW M 6X20 WS=8 | 1 |
| 58 | 54603048100 | RANGE CHANGE METAL NUT M6 | 3 |

086113531 / C086113531

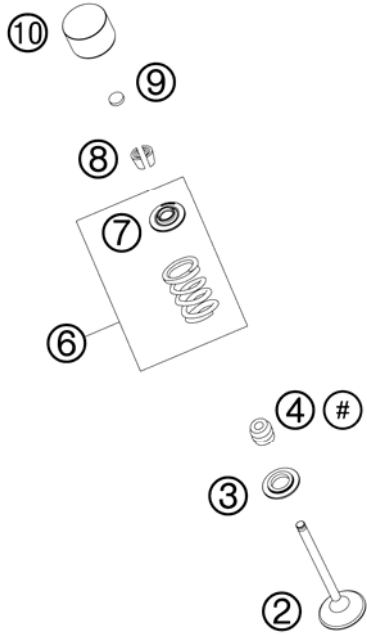
* NEW PART

X AS REQUIRED

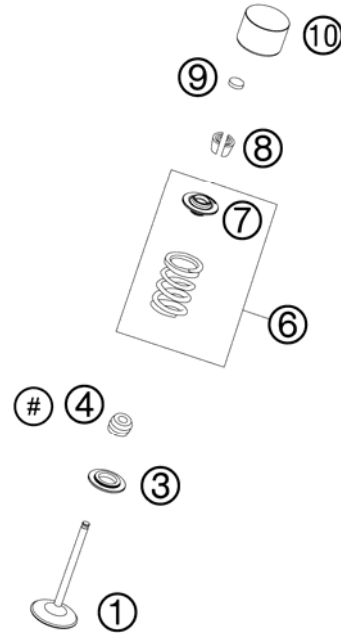
TIMING DRIVE

990 SUPERDUKE R 2008

EXHAUST



INTAKE



ENTHALTEN IM DICHTUNGSSATZ KPL.
INCLUDED IN GASKET-SET CPL.
600.30.099.000

ENTHALTEN IM DICHT.SATZ ZYL.KOPF
INCLUDED IN GASKET-SET CYL. HEAD
600.30.097.000

| FIG | PART NUMBER | DESCRIPTION | QTY |
|-----|-------------|---------------------------|-----|
| 1* | 61136030000 | INTAKE VALVE D41 | 4 |
| 2* | 61136031100 | EXHAUST VALVE | 4 |
| 3* | 61236036000 | SPRING RETAINER | 8 |
| 4 | 59036027000 | VALVE-STEM SEALING RACING | 8 |
| 6* | 61236028100 | VALVE SPRING NHK | 8 |
| 7* | 61236032100 | VALVE SPRING RETAINER | 8 |
| 8* | 78036033000 | VALVE COLLET LK 6H | 16 |
| 9 | 60036035200 | SHIM D=10/2,00 | 03 |
| 9 | 60036035205 | SHIM D=10/2,05 | 03 |
| 9 | 60036035210 | SHIM D=10/2,10 | 03 |
| 9 | 60036035215 | SHIM D=10/2,15 | 03 |
| 9 | 60036035220 | SHIM D=10/2,20 | 03 |
| 9 | 60036035225 | SHIM D=10/2,25 | 03 |
| 9 | 60036035230 | SHIM D=10/2,30 | 03 |
| 9 | 60036035235 | SHIM D=10/2,35 | 03 |
| 9 | 60036035240 | SHIM D=10/2,40 | 03 |
| 9 | 60036035245 | SHIM D=10/2,45 | 03 |
| 9 | 60036035250 | SHIM D=10/2,50 | 03 |
| 9 | 60036035255 | SHIM D=10/2,55 | 03 |
| 9 | 60036035260 | SHIM D=10/2,60 | 03 |
| 9 | 60036035265 | SHIM D=10/2,65 | 03 |
| 9 | 60036035270 | SHIM D=10/2,70 | 03 |
| 9 | 60036035275 | SHIM D=10/2,75 | 03 |
| 9 | 60036035280 | SHIM D=10/2,80 | 03 |
| 9 | 60036035285 | SHIM D=10/2,85 | 03 |
| 9 | 60036035290 | SHIM D=10/2,90 | 03 |
| 9 | 60036035295 | SHIM D=10/2,95 | 03 |
| 9 | 60036035300 | SHIM D=10/3,00 | 03 |
| 9 | 60036035305 | SHIM D=10/3,05 | 03 |
| 9 | 60036035310 | SHIM D=10/3,10 | 03 |
| 9 | 60036035315 | SHIM D=10/3,15 | 03 |
| 9 | 60036035320 | SHIM D=10/3,20 | 03 |
| 10 | 61036034000 | BUCKET TAPPET | 05 |

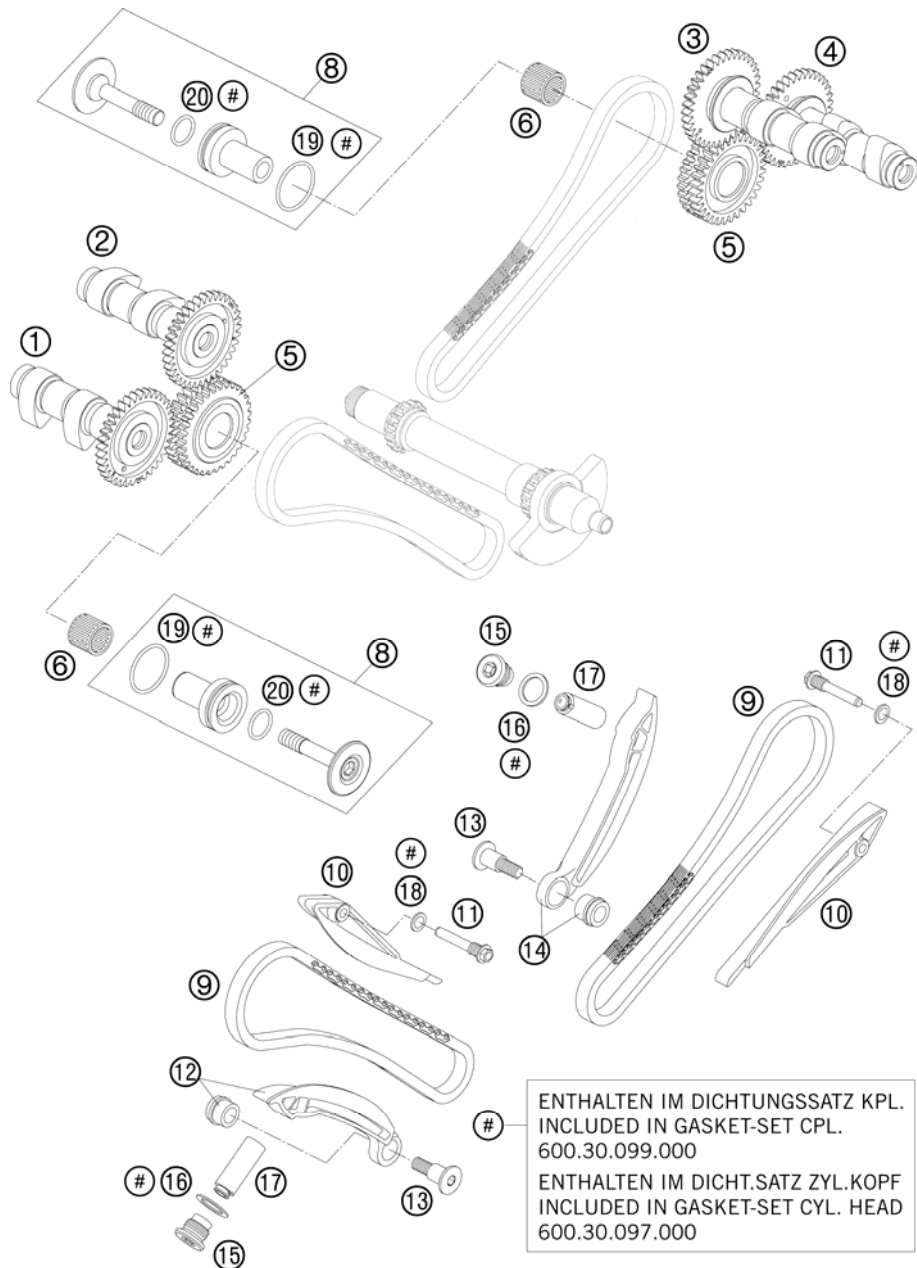
086113610 / C086113610

* NEW PART

X AS REQUIRED

TIMING DRIVE

990 SUPERDUKE R 2008



| FIG | PART NUMBER | DESCRIPTION | QTY |
|-----|-------------|--------------------------------|-----|
| 1* | 61136010000 | CAMSHAFT OUTLET FRONT | 1 |
| 2* | 61136009000 | CAMSHAFT INTAKE FRONT | 1 |
| 3* | 61136109000 | CAMSHAFT INTAKE REAR | 1 |
| 4* | 61136110000 | CAMSHAFT OUTLET REAR | 1 |
| 5 | 60036070000 | TIMING GEARS 32-T CPL. 03 | 2 |
| 6 | 0405182420 | NEEDLE BEARING K18/24/20 | 2 |
| 8* | 60036071100 | BEARING BOLT | 2 |
| 9 | 60036013000 | TOOTH CHAIN 88 LINK 6,35PITCH | 2 |
| 10 | 60036001000 | GUIDE RAIL 03 | 2 |
| 11 | 60036002160 | SPECIAL SCREW M8X29 WS=8 | 2 |
| 12 | 60036002000 | TENSIONER RAIL CPL. FRONT 03 | 1 |
| 13 | 60036002150 | SPECIAL SCREW M8X29 WS=6 | 2 |
| 14 | 60036102000 | TENSIONER RAIL CPL. REAR 03 | 1 |
| 15 | 60036008000 | SCREW PLUG M16X1,5 03 | 2 |
| 16 | 0603162013 | CU SEAL-RING DIN7603 16X20X1,3 | 2 |
| 17 | 60036003000 | TIMING-CH.TENS. HYDR.(75YM) 03 | 2 |
| 18 | 0603082121 | SEAL RING CU DIN7603- 8X12X1 | 2 |
| 19* | 0770290020 | O-RING 29X2 VITON | 2 |
| 20* | 0770160021 | O-RING 16,00X2,00 VITON | 2 |

086113621 / C086113621

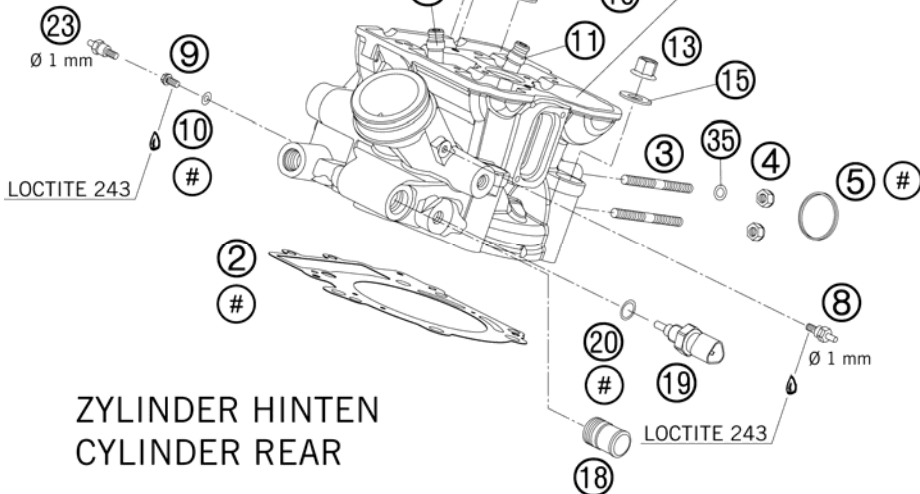
* NEW PART

X AS REQUIRED

CYLINDER HEAD REAR

990 SUPERDUKE R 2008

DICHTUNGSSATZ KPL. 600.30.099.000
 ENTHÄLT DICHT.SATZ.ZYL.KOPF 600.30.097.000
 GASKET-SET CPL. 600.30.099.000
 INCL. GASKET-SET CYL. HEAD 600.30.097.000



ZYLINDER HINTEN
 CYLINDER REAR

| FIG | PART NUMBER | DESCRIPTION | QTY |
|-----|-------------|--|-----|
| 1* | 61136120144 | CYLIDNER HEAD CPL. REAR 08 | 1 |
| 2 | 60030036000 | CYLINDER HEAD GASKET 0,5 101MM | 1 |
| 3 | 0835080256 | STUD DIN0835-M 8X25 10.9 | 2 |
| 4 | 51010086100 | SELF LOCKING NUT M 8 CU | 2 |
| 5 | 61005005000 | EXHAUST GASKET 05 | 1 |
| 6 | 0587060002 | HH CAP NUT DIN1587-M 6 SS. | 2 |
| 7 | 0125060003 | WASHER DIN0125-A 6,4 | 2 |
| 8 | 61036023100 | VACUUM CONECTION 2006 | 1 |
| 9* | 0015060083 | HH COLLAR SCREW M 6X8 WS=8 | 1 |
| 10 | 0603061001 | CU-SEAL RING DIN7603-6X10X1 | 1 |
| 11* | 61136026000 | VALVE GUIDE OUTTAKE 07 | 2 |
| 12* | 61136025000 | VALVE GUIDE INTAKE 07 | 2 |
| 13 | 60036078200 | COLLAR NUT M 10 WS=13 05 | 4 |
| 14 | 0402050980 | NEEDLE ROLLER DIN5402 5X9,8 | 2 |
| 15 | 60036078050 | SHIM 10,2X19X1,5MM 05 | 4 |
| 16 | 0912060255 | AH SCREW DIN0912-M 6X25 10.9 | 4 |
| 17 | 0984080305 | AH SCREW DIN7984-M 8X30 10.9 | 4 |
| 18* | 61135019000 | WATER CONNECTION | 1 |
| 19 | 75035047000 | TEMPERATURE SENSOR WATER 07 | 1 |
| 20 | 0770100020 | O-RING 10,00X2,00 SILCONE | 1 |
| 21* | 61136044000 | RUBBERSLEEVE INTAKE FLANGE | 1 |
| 22* | 61236048000 | HOSE CLAMP GEMI 66 / 1 | 2 |
| 23 | 60036023100 | VACUUM CONECTION M6/0,5MM USA ONLY | 1 |
| 24 | 0770298178 | O-RING 29,87X1,78 VITON | 2 |
| 25* | 61136075100 | INSERT SPARK-PLUG SHAFT | 1 |
| 26* | 61136099000 | VALVE COVER GASKET SET FR+RR | 1 |
| 28* | 61136152000 | VALVE COVER REAR | 1 |
| 29 | 60036052020 | COLLAR SCREW M 6 WS=10 03 | 4 |
| 35 | 61005009000 | SPACER BUSH. 8,5X15X7,5 05 | 1 |
| 99 | 60030097000 | GASKET SET CYL. HEAD KPL. 03 CYLINDER FRONT + REAR | 1 |

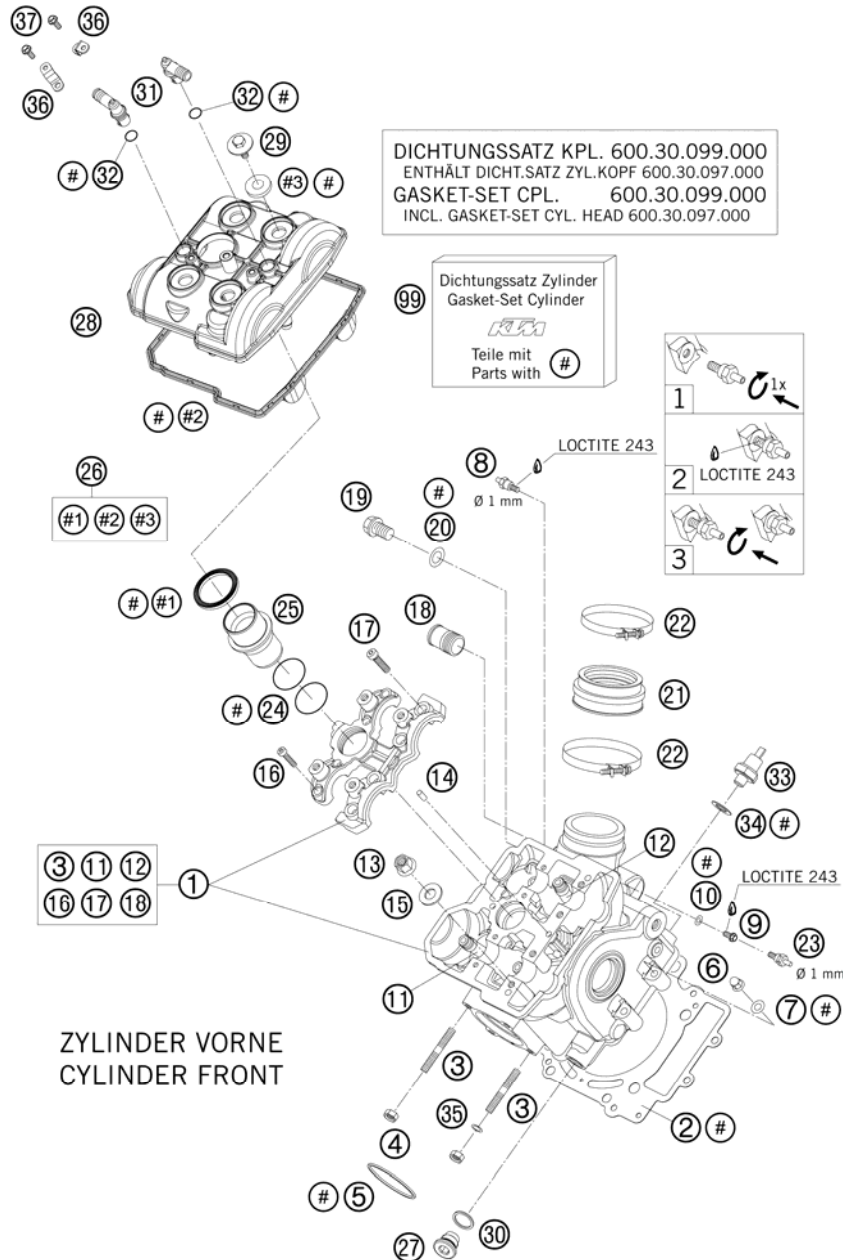
086113640 / C086113640

* NEW PART

X AS REQUIRED

CYLINDER HEAD FRONT

990 SUPERDUKE R 2008



| FIG | PART NUMBER | DESCRIPTION | QTY |
|-----|-------------|------------------------------------|-----|
| 1* | 61136020144 | CYLINDER HEAD CPL. FRONT 08 | 1 |
| 2 | 60030036000 | CYLINDER HEAD GASKET 0,5 101MM | 1 |
| 3 | 0835080256 | STUD DIN0835-M 8X25 10.9 | 2 |
| 4 | 51010086100 | SELF LOCKING NUT M 8 CU | 2 |
| 5 | 61005005000 | EXHAUST GASKET 05 | 1 |
| 6 | 0587060002 | HH CAP NUT DIN1587-M 6 SS. | 2 |
| 7 | 0125060003 | WASHER DIN0125-A 6,4 | 2 |
| 8 | 61036023100 | VACUUM CONECTION 2006 | 1 |
| 9* | 0015060083 | HH COLLAR SCREW M 6X8 WS=8 | 1 |
| 10 | 0603061001 | CU-SEAL RING DIN7603-6X10X1 | 1 |
| 11* | 61136026000 | VALVE GUIDE OUTTAKE 07 | 2 |
| 12* | 61136025000 | VALVE GUIDE INTAKE 07 | 2 |
| 13 | 60036078200 | COLLAR NUT M 10 WS=13 05 | 4 |
| 14 | 0402050980 | NEEDLE ROLLER DIN5402 5X9,8 | 2 |
| 15 | 60036078050 | SHIM 10,2X19X1,5MM 05 | 4 |
| 16 | 0912060255 | AH SCREW DIN0912-M 6X25 10.9 | 4 |
| 17 | 0984080305 | AH SCREW DIN7984-M 8X30 10.9 | 4 |
| 18* | 61135019000 | WATER CONNECTION | 1 |
| 19 | 0908120153 | PLUG DIN0908-M12X1,5 | 1 |
| 20 | 58038022000 | CU-SEAL RING DIN7603-12X18X1,5 | 1 |
| 21* | 61136044000 | RUBBERSLEEVE INTAKE FLANGE | 1 |
| 22 | 61036048000 | HOSE CLAMP GEMI 66MM 05 | 2 |
| 23 | 60036023100 | VACUUM CONECTION M6/0,5MM USA ONLY | 1 |
| 24 | 0770298178 | O-RING 29,87X1,78 VITON | 2 |
| 25* | 61136075100 | INSERT SPARK-PLUG SHAFT | 1 |
| 26 | 60036099000 | VALVE COVER GASKET SET FR+RR | 1 |
| 27 | 60036008000 | SCREW PLUG M16X1,5 03 | 1 |
| 28 | 60036052000 | VALVE COVER FRONT 03 | 1 |
| 29 | 60036052020 | COLLAR SCREW M 6 WS=10 03 | 4 |
| 30 | 0603162013 | CU SEAL-RING DIN7603 16X20X1,3 | 1 |
| 31 | 60038082000 | ANGLE CONNECTOR LC8 03 | 2 |
| 32 | 0770080020 | O-RING 8X2 SILICONE | 2 |
| 33 | 60038091100 | OIL-PRESSURE SWITCH LC8 04 | 1 |
| 34 | 0603100141 | COPPER GASKET DIN7603-10X14X1 | 1 |
| 35 | 61005009000 | SPACER BUSH. 8,5X15X7,5 05 | 1 |

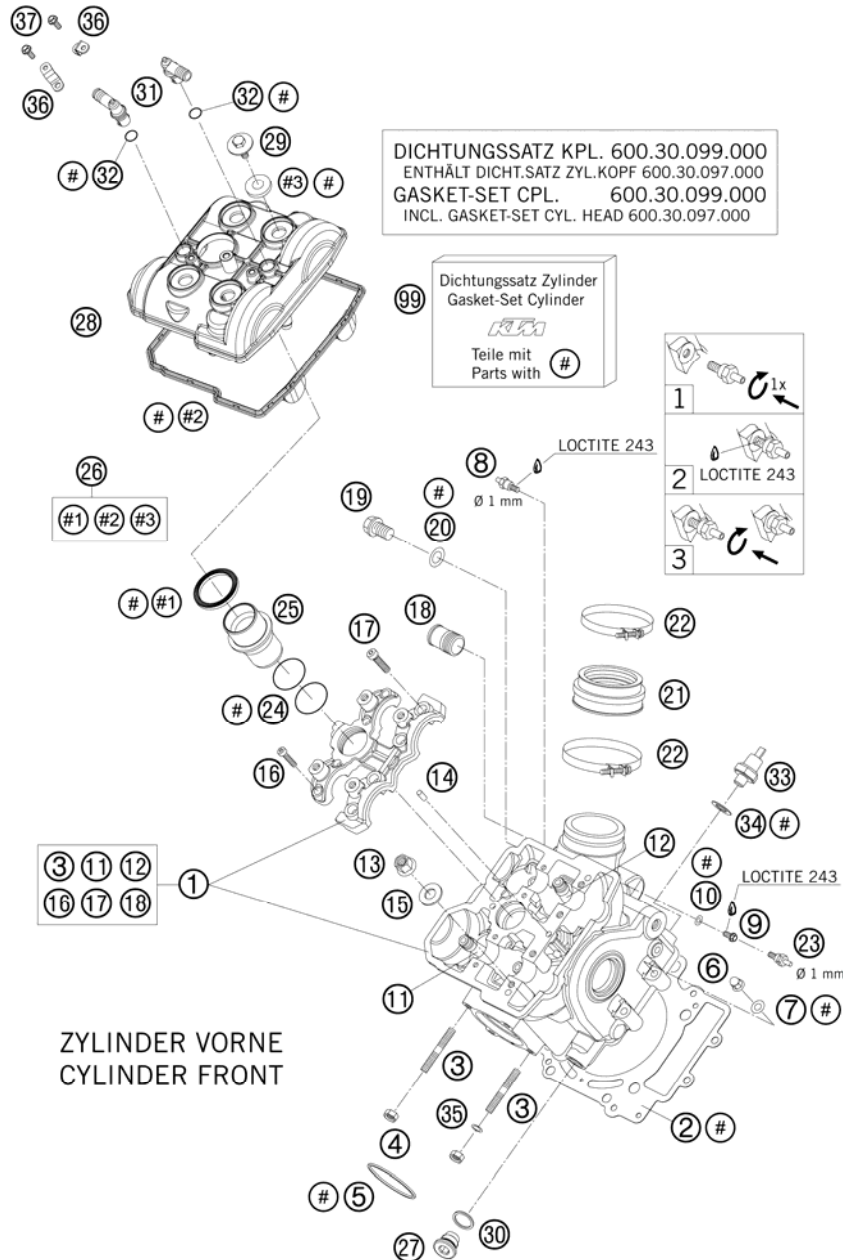
086113650 / C086113650

* NEW PART

X AS REQUIRED

CYLINDER HEAD FRONT

990 SUPERDUKE R 2008



| FIG | PART NUMBER | DESCRIPTION | QTY |
|-----|-------------|---|-----|
| 36 | 60038082050 | ANGLE CONNECTOR BRACKET PANEL | 2 |
| 37 | 0009050103 | SPECIAL SCREW M 5,0X10 | 2 |
| 99 | 60030097000 | GASKET SET CYL. HEAD KPL. 03 CYLINDER FRONT + REAR | 1 |

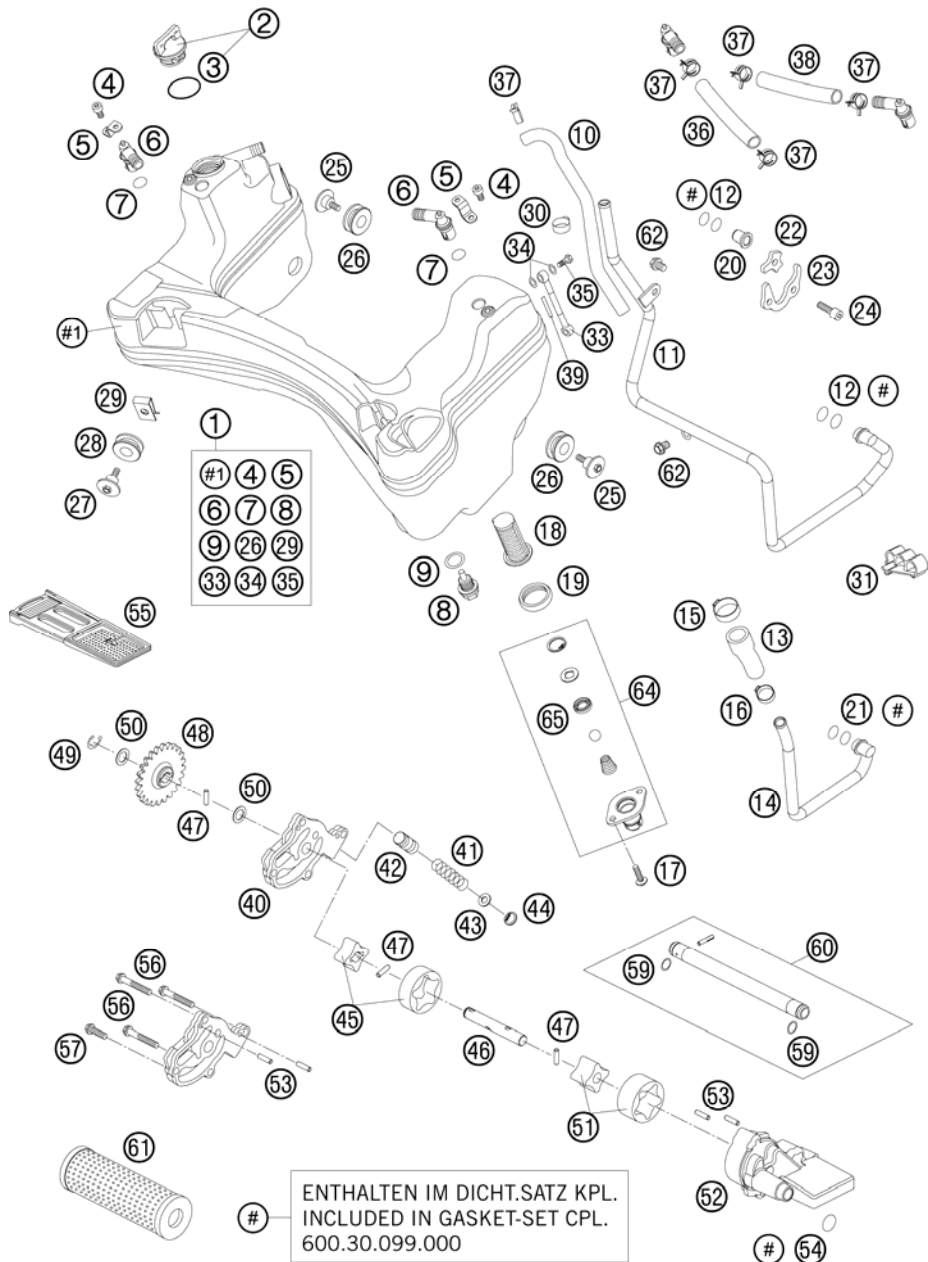
086113650 / C086113650

* NEW PART

X AS REQUIRED

LUBRICATING SYSTEM

990 SUPERDUKE R 2008



| FIG | PART NUMBER | DESCRIPTION | QTY |
|-----|-------------|--------------------------------|-----|
| 1* | 61038081133 | OILTANK CPL 08 | 1 |
| 2 | 58030020100 | PLUG CPL. M24X3 | 1 |
| 3 | 0770191015 | O-RING 19,00X3,00 NBR | 1 |
| 4 | 0912050103 | AH SCREW DIN0912-M 5X10 | 2 |
| 5 | 60038082050 | ANGLE CONNECTOR BRACKET PANEL | 2 |
| 6 | 60038082000 | ANGLE CONNECTOR LC8 03 | 2 |
| 7 | 0770080020 | O-RING 8X2 SILICONE | 2 |
| 8 | 58030021000 | OILDRAIN PLUG W.MAG. M 12X1,5 | 1 |
| 9 | 58038022000 | CU-SEAL RING DIN7603-12X18X1,5 | 1 |
| 10* | 60038061203 | PREFORMED HOSE D9X3,5 | 1 |
| 11 | 60038061044 | OIL PIPE "B" | 1 |
| 12 | 0770090021 | O-RING 9X2 VITON | 4 |
| 13 | 61038034000 | OIL HOSE PIPE A 05 | 1 |
| 14 | 60038060044 | OIL PIPE "A" | 1 |
| 15 | 00050256706 | VARIABLE ONE-EAR CLAMP 25,6MM | 1 |
| 16 | 00050198706 | VARIABLE ONE-EAR CLAMP 19,8MM | 1 |
| 17 | 0015060163 | HH COLLAR SCREW M 6X16 WS=8 | 2 |
| 18 | 60038017000 | OIL SCREEN FINISHED 03 | 1 |
| 19 | 60038018000 | GASKET FOR OIL FILTER HNBR 03 | 1 |
| 20 | 60038024000 | PLUG 10MM LC8 03 | 1 |
| 21 | 0770110021 | O-RING 11X2 VITON | 2 |
| 22 | 60038037000 | RETAINING PLATE 2 LC8 03 | 1 |
| 23 | 60038036000 | RETAINING PLATE 1 LC8 03 | 1 |
| 24 | 0912060203 | AH SCREW DIN0912-M 6X20 | 3 |
| 25 | 60038083000 | SCREW OIL TANK FIXING 03 | 3 |
| 26 | 54605068000 | EXHAUST BRACKET RUBBER BLACK | 3 |
| 27 | 60035001000 | SCREW RADIATOR BRACKET M6 03 | 2 |
| 28 | 41001052000 | RUBBER SLEEVE D=12MM | 2 |
| 29 | 54603048100 | RANGE CHANGE METAL NUT M6 | 2 |
| 30 | 00050185706 | VARIABLE ONE-EAR CLAMP 18,5MM | 1 |
| 31 | 61011093000 | WIRING HOLDER 05 | x |
| 33 | 61038084000 | OIL RISING PIPE CPL. 05 | 1 |
| 34 | 0603082121 | SEAL RING CU DIN7603- 8X12X1 | 4 |
| 35* | 58038029000 | BANJO BOLT M8X1 | 2 |
| 36 | 60038059130 | OIL TANK BREATHING HOSE R/S | 1 |
| 37 | 00049160121 | CLAMP STD DN16 | 5 |

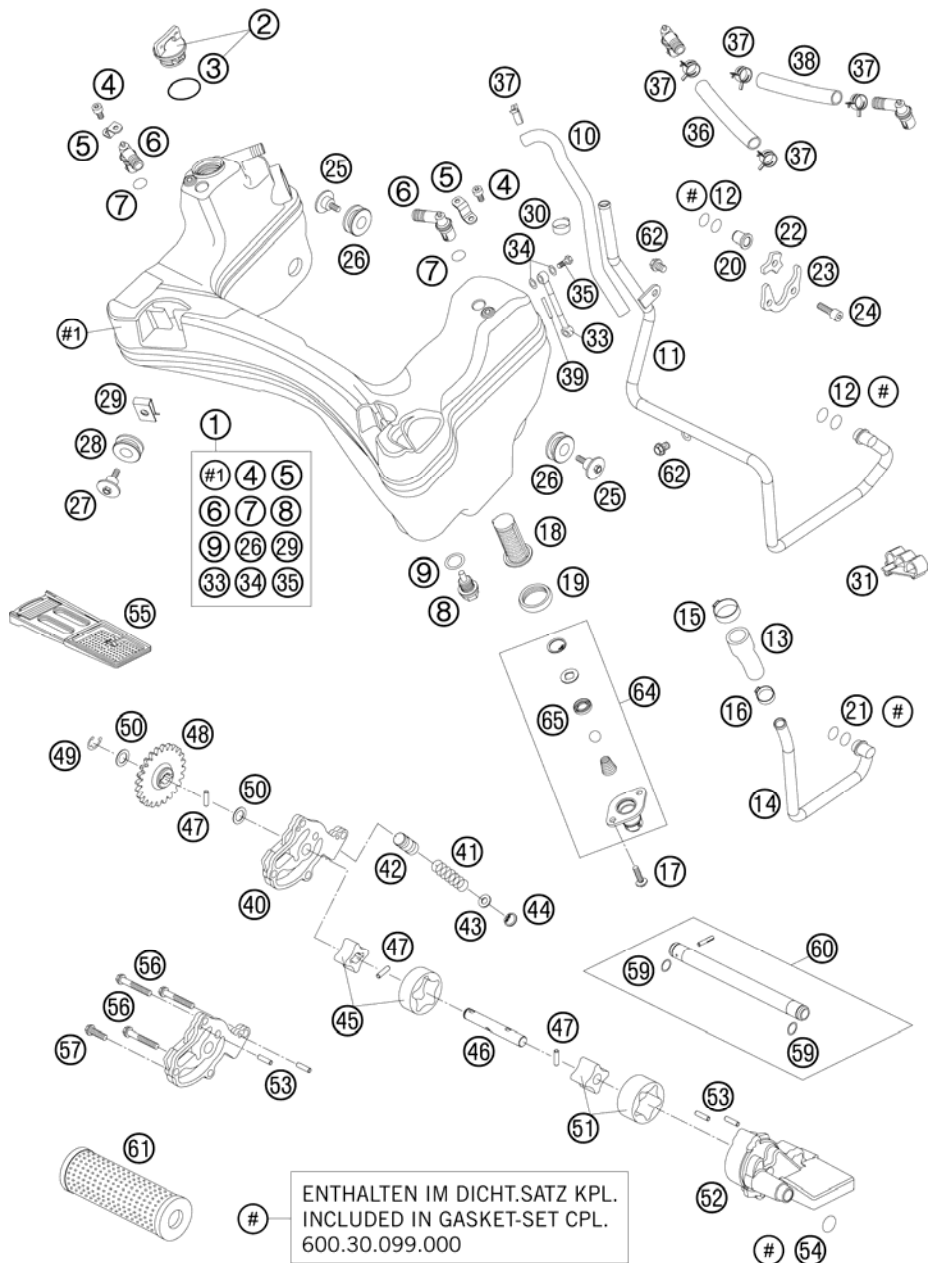
086113811 / C086113811

* NEW PART

X AS REQUIRED

LUBRICATING SYSTEM

990 SUPERDUKE R 2008



| FIG | PART NUMBER | DESCRIPTION | QTY |
|-----|-------------|------------------------------|-----|
| 38 | 60038059083 | OIL TANK BREATHING HOSE L/S | 1 |
| 39 | 61038085000 | STICKER "OIL LEVEL" 05 | 1 |
| 40 | 60038010000 | PRESSURE PUMP CASE 03 | 1 |
| 41 | 60038026000 | CONTROL SPRING LC8 3,5 BAR | 1 |
| 42 | 60038028000 | CONTROL PISTON LC8 03 | 1 |
| 43 | 0988060121 | WASHER 6X12X1 HRC 40-45 | 1 |
| 44 | 0472012010 | CIRCLIP DIN0472 J12 | 1 |
| 45 | 60038011000 | ROTOR-SET PRESSURE PUMP 03 | 1 |
| 46 | 60038002000 | OIL PUMP SHAFT 03 | 1 |
| 47 | 0402041580 | NEEDLE ROLLER NRB 4X15,8 G2 | 3 |
| 48* | 60038001124 | OIL PUMP GEAR 24-T | 1 |
| 49 | 0799080000 | TAB WASHER DIN6799 RS8 | 1 |
| 50 | 60038007010 | WASHER 10X16X0,5 03 | 2 |
| 51 | 60038009000 | ROTOR-SET 19MM 03 | 1 |
| 52 | 60038008000 | SUCTION PUMP CASE 03 | 1 |
| 53 | 0402040980 | NEEDLE ROL.DIN5402 NRB 4X9,8 | 4 |
| 54 | 0770133024 | O-RING 13,3X2,4 VITON | 1 |
| 55 | 60038016000 | OIL SCREEN 03 | 1 |
| 56 | 0015060403 | HH COLLAR SCREW M 6X40 WS=8 | 3 |
| 57 | 0015060203 | HH COLLAR SCREW M 6X20 WS=8 | 1 |
| 59 | 0770010010 | O-RING 10,00X1,00 NBR 70 SH | 2 |
| 60 | 60030065100 | OIL INJECTION TUBE GEAR 05 | 1 |
| 61 | 60038015000 | OIL FILTER 03 | 1 |
| 62 | 0015060103 | HH COLLAR SCREW M 6X10 WS=8 | 2 |
| 64 | 60038060102 | OIL TANK VALVE CPL. | 1 |
| 65 | 0760101842 | SHAFT SEAL R.10X18X4 B-VITON | 1 |

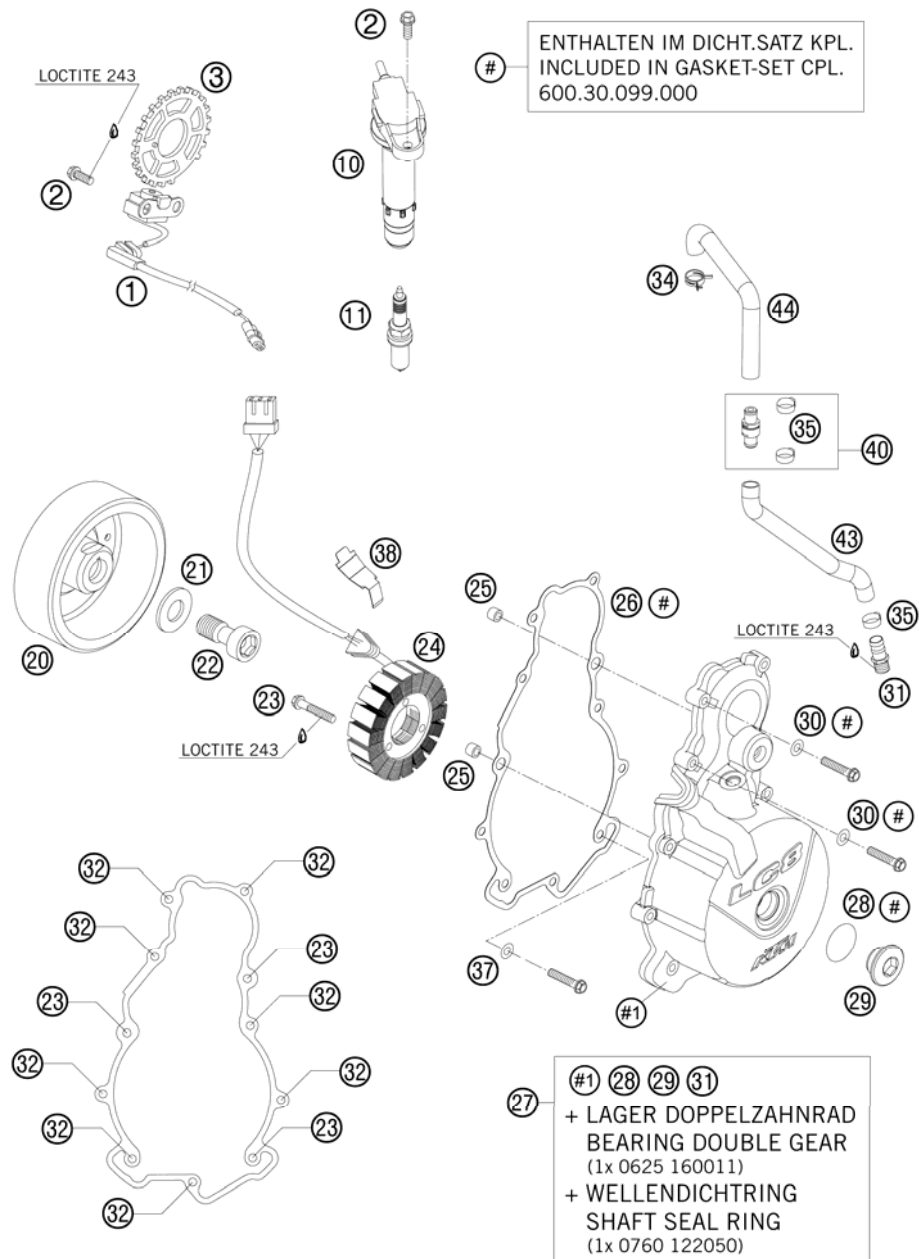
086113811 / C086113811

* NEW PART

X AS REQUIRED

IGNITION SYSTEM

990 SUPERDUKE R 2008



| FIG | PART NUMBER | DESCRIPTION | QTY |
|-----|---------------|--------------------------------------|-----|
| 1 | 60039034100 | PULSE GENERATOR LC8 04 | 1 |
| 2 | 0015060163 | HH COLLAR SCREW M 6X16 WS=8 | 4 |
| 3 | 61039020000 | COIL SPROCKET 22Z O. CYL. PIN | 1 |
| 10* | 61139006000 | STICK-COIL | 2 |
| 11* | 75039093000 | SPARK PLUG M12X1,25 LKAR8AI-9 | 2 |
| 20 | 60039005100 | IGNITION ROTOR 04 INCL. FREEWHEEL | 1 |
| 21 | 60039040010 | WASHER 17X32X4 03 | 1 |
| 22 | 60039003100 | AH EXPAND. SCREW M16X1,5 05 | 1 |
| 23 | 0015060353 | HH COLLAR SCREW M 6X35 WS=8 | 6 |
| 24 | 60039004000 | STATOR 03 | 1 |
| 25 | 49030090000 | DOWEL 9,8 X 7 X 10 | 2 |
| 26 | 60030040100 | IGNIT. COVER GASK. MATRI. CS0,5MM | 1 |
| 27* | 60030002144 | IGNITION COVER CPL. 06 | 1 |
| 28 | 0770024025 | O-RING 24X2,5 NBR | 1 |
| 29 | 6003009400023 | SCREW PLUG M24X1,5 PA 6.6 | 1 |
| 30 | 0603061001 | CU-SEAL RING DIN7603-6X10X1 | 2 |
| 31 | 60030022000 | VENTILATION CONNECTOR M16X1,5 | 1 |
| 32 | 0015060303 | HH COLLAR SCREW M 6X30 SW=8 | 8 |
| 34 | 00049220121 | CLAMP STD DN22 | 1 |
| 35 | 00050226706 | VARIABLE ONE-EAR CLAMP 22,6MM | 3 |
| 37 | 0125060003 | WASHER DIN0125-A 6,4 | 1 |
| 38 | 60039040020 | CABLE SUPPORT GENERATOR 03 | 1 |
| 40 | 60030090344 | BACK-PRESSURE VALVE CPL. | 1 |
| 43 | 60030087101 | ENGINE BREATHER HOSE BOTTOM | 1 |
| 44 | 60030087102 | ENGINE BREATHER HOSE TOP | 1 |

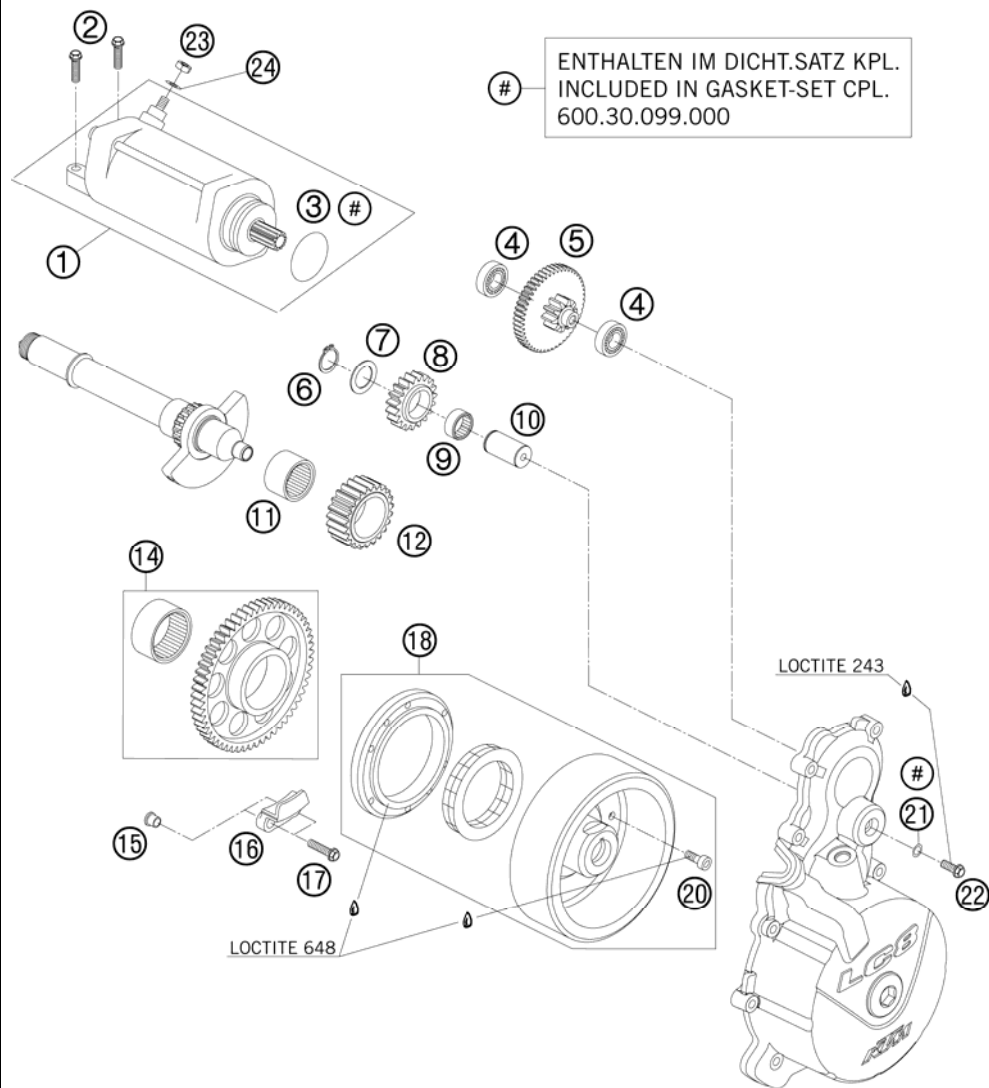
086113912 / C086113912

* NEW PART

X AS REQUIRED

ELECTRIC STARTER

990 SUPERDUKE R 2008



| FIG | PART NUMBER | DESCRIPTION | QTY |
|-----|-------------|--------------------------------------|-----|
| 1 | 60040001000 | E-STARTER ENGINE CPL. LC8-E 03 | 1 |
| 2 | 0015060253 | HH COLLAR SCREW M 6X25 WS=8 | 2 |
| 3 | 0770335030 | O-RING 33,5X3 VITON | 1 |
| 4 | 0625160011 | GROOV.BALL BEAR. 16001 JRX C3 | 2 |
| 5 | 60040017000 | TORQUE LIMITER | 1 |
| 6 | 0471170010 | CIRCLIP DIN0471-17X1 | 1 |
| 7 | 50333041000 | STOP DISC 17,2X26X1 B | 1 |
| 8 | 60040022219 | IDLER GEAR 1 19Z | 1 |
| 9 | 0405172110 | NEEDLE BEARING K 17X21X10 | 1 |
| 10 | 60040023100 | BEARING BOLT | 1 |
| 11 | 0618253220 | NEEDLE BUSH HK2520 25/32/20 02 | 1 |
| 12 | 60040022023 | IDLER GEAR 2 23-T 03 | 1 |
| 14 | 60040020000 | FREEWHEEL GEAR WH. 57-T CPL.03 | 1 |
| 15 | 60040027050 | SUPPORTING SLEEVE 03 | 2 |
| 16 | 60040027000 | FREEWHEEL HOLDER 03 | 1 |
| 17 | 0015060253 | HH COLLAR SCREW M 6X25 WS=8 | 2 |
| 18 | 60039005100 | IGNITION ROTOR 04 INCL. FREEWHEEL | 1 |
| 20 | 0984060166 | AH SCREW DIN6912 M6X16 10.9 | 6 |
| 21 | 0603061001 | CU-SEAL RING DIN7603-6X10X1 | 1 |
| 22 | 0015060163 | HH COLLAR SCREW M 6X16 WS=8 | 1 |
| 23 | 0985060003 | SELF LOCK. NUT DIN0985-M 6 | 1 |
| 24 | 0125060003 | WASHER DIN0125-A 6,4 | 1 |

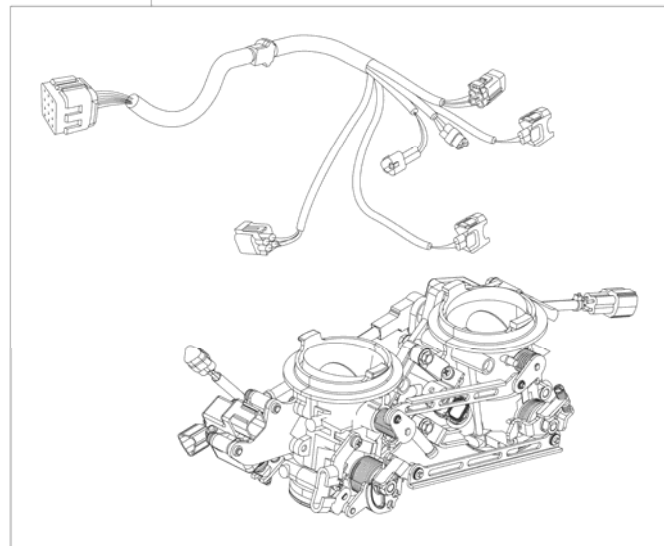
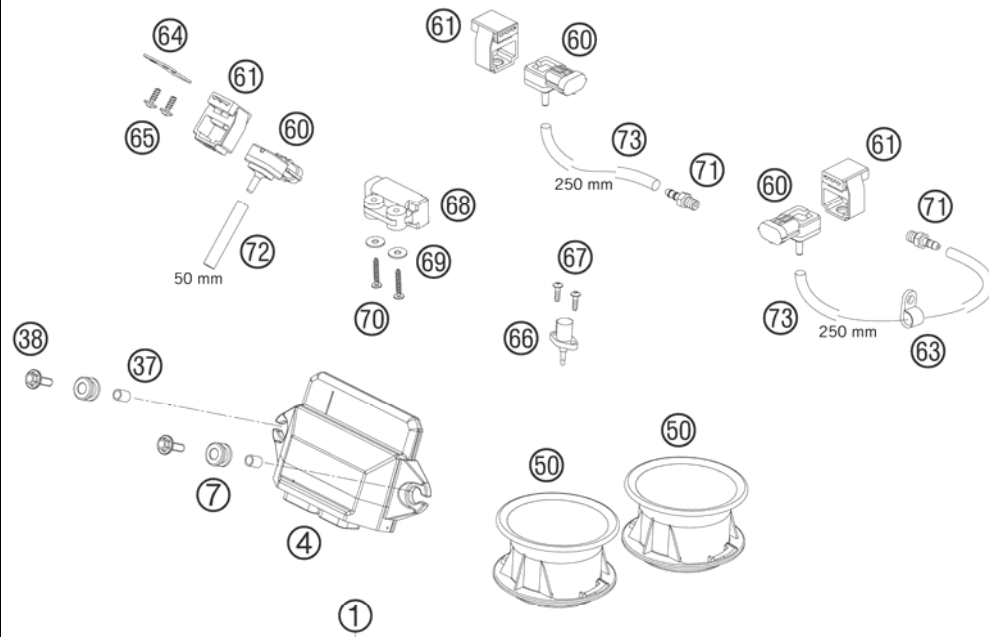
086304010 / C086304010

* NEW PART

X AS REQUIRED

THROTTLE BODY

990 SUPERDUKE R 2008

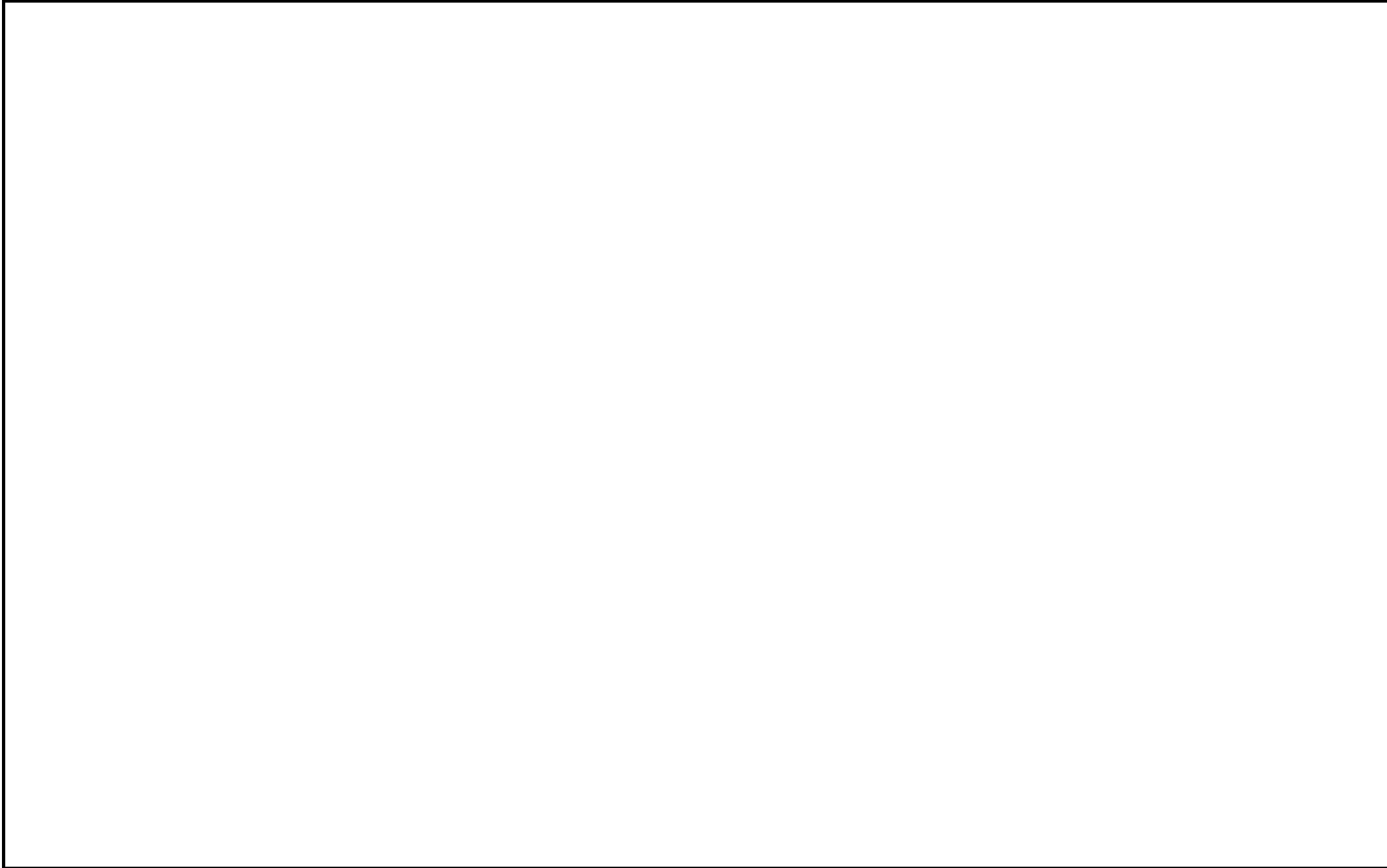


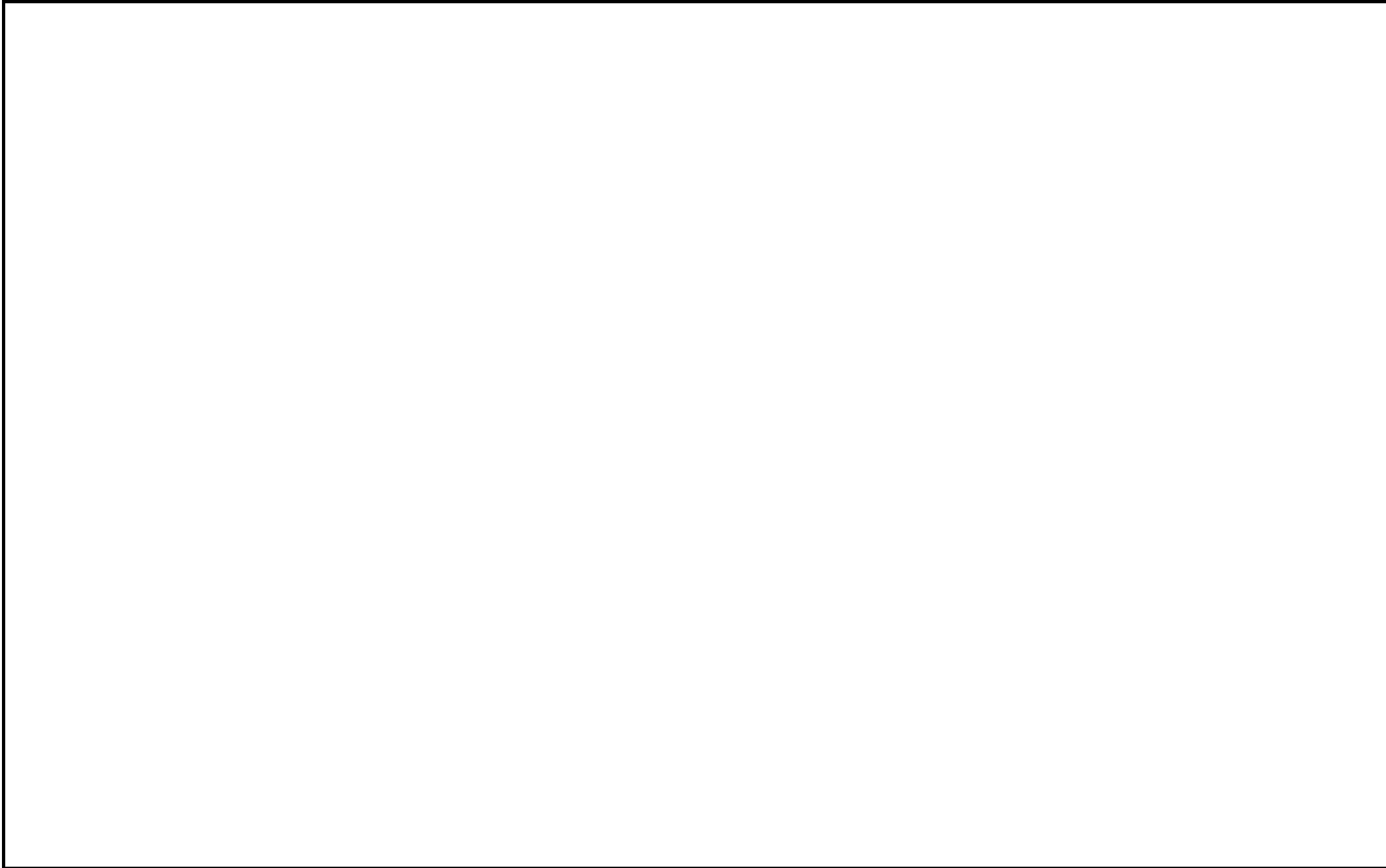
| FIG | PART NUMBER | DESCRIPTION | QTY |
|-----|-------------|--------------------------------|-----|
| 1* | 61241001000 | THROTTLE BODY CPL. DK52 | 1 |
| 4* | 61041031200 | TIMING CHARGER EFI 08 | 1 |
| 7 | 60039030000 | VIBRATION DAMPER DIGITALBOX 03 | 2 |
| 37* | 61141028000 | SPACER BUSHING 6,3X8,5X11 07 | 2 |
| 38* | 0024060206 | HH COLLAR SCREW M6X20 TX30 | 2 |
| 50 | 61041040000 | INTAKE TRUMPET 05 | 2 |
| 60* | 61041085100 | PRESSURE SENSOR 06 | 3 |
| 61* | 61041085150 | RUBBER SUPP. PRESSURE SENS. 06 | 3 |
| 63 | 57013070100 | PVC-CLAMP 7,9 MM HEYCO 3355 | 1 |
| 64 | 61041085060 | SUPPORT PRESSURE SENSOR 05 | 1 |
| 65 | 0016050121 | SCREW FOR PLASTIC 50X12 | 2 |
| 66 | 61041080000 | AMBIENT-AIR TEMPERATURE SENSOR | 1 |
| 67 | 0081500181 | SCREW FOR PLASTIC D=5X18 | 2 |
| 68 | 61041088000 | ROLLOVER SENSOR 05 | 1 |
| 69 | 61041088050 | SHIM 4,3X15X1,25MM GALVANIZED | 2 |
| 70* | 0081400253 | PLASTIC SCREW KA40X25WN1412 | 2 |
| 71 | 61036023100 | VACUUM CONECTION 2006 | 2 |
| 72 | 61041095050 | HOSE 3,2X8,5 L=50 MM 05 | 1 |
| 73 | 61041095250 | HOSE 3,2X8,5 L= 250 MM 05 | 2 |

086114110 / C086114111

* NEW PART

X AS REQUIRED









KTM-Sportmotorcycle AG
A-5230 Mattighofen
www.ktm.at

KTM Group Partner



3CM089822HEN



Art.Nr.: 3CM089822HEN 4/2008