

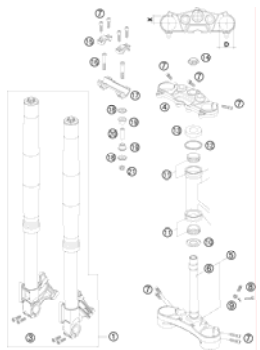
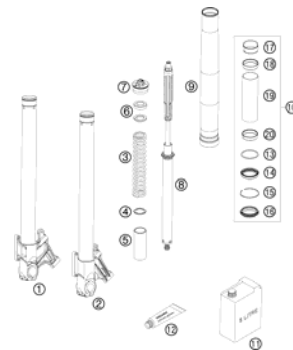
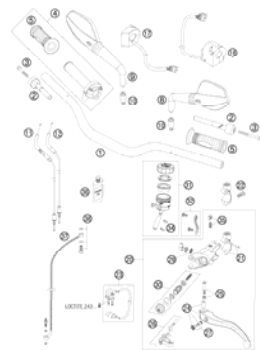
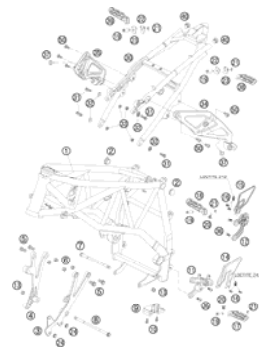
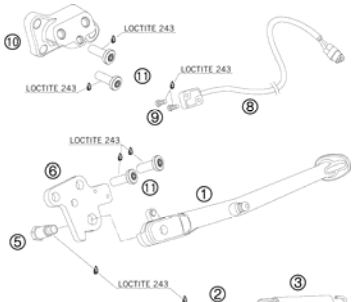
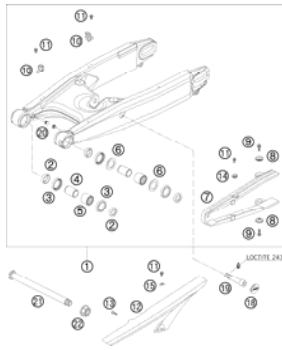
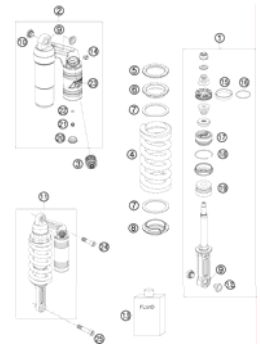

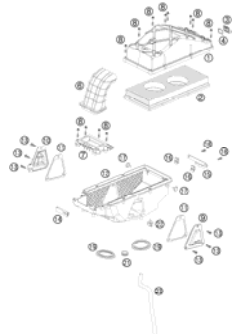
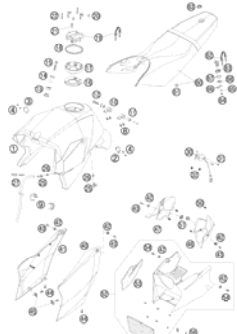

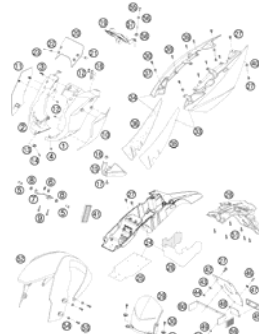
990 SUPER DUKE WHITE EU 2009

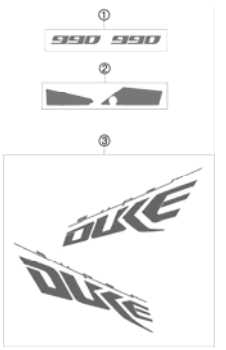
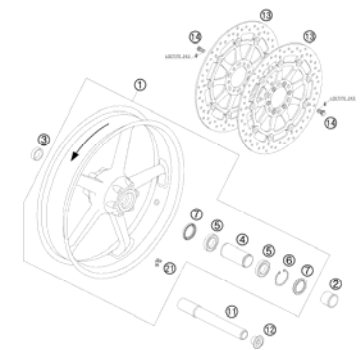
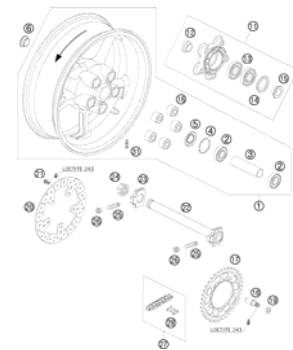

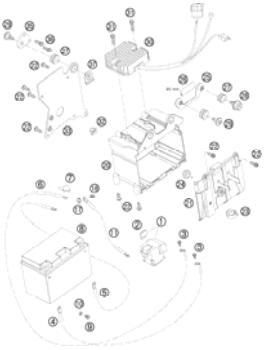
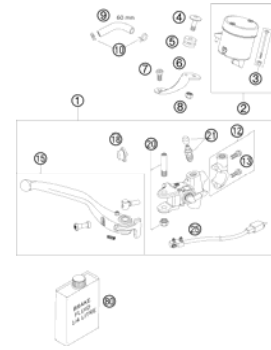
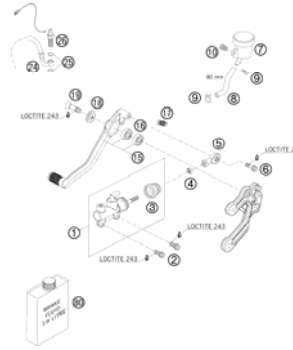
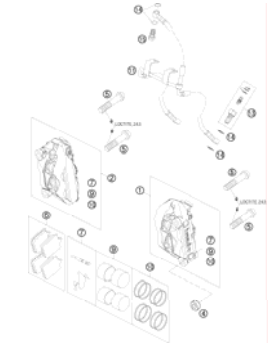
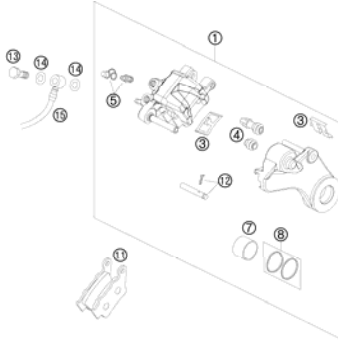
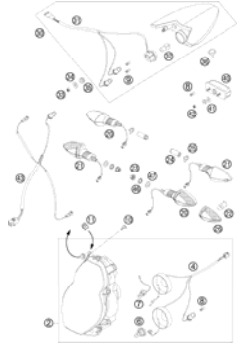

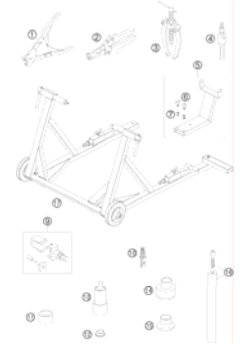
SPARE PARTS MANUAL: CHASSIS

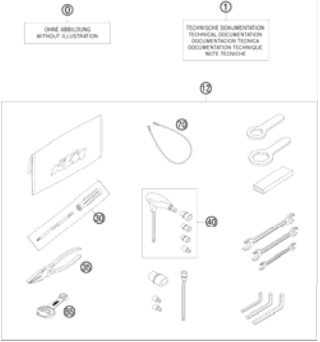
ART.NO.: 3CF9803IAEN

ENGLISH



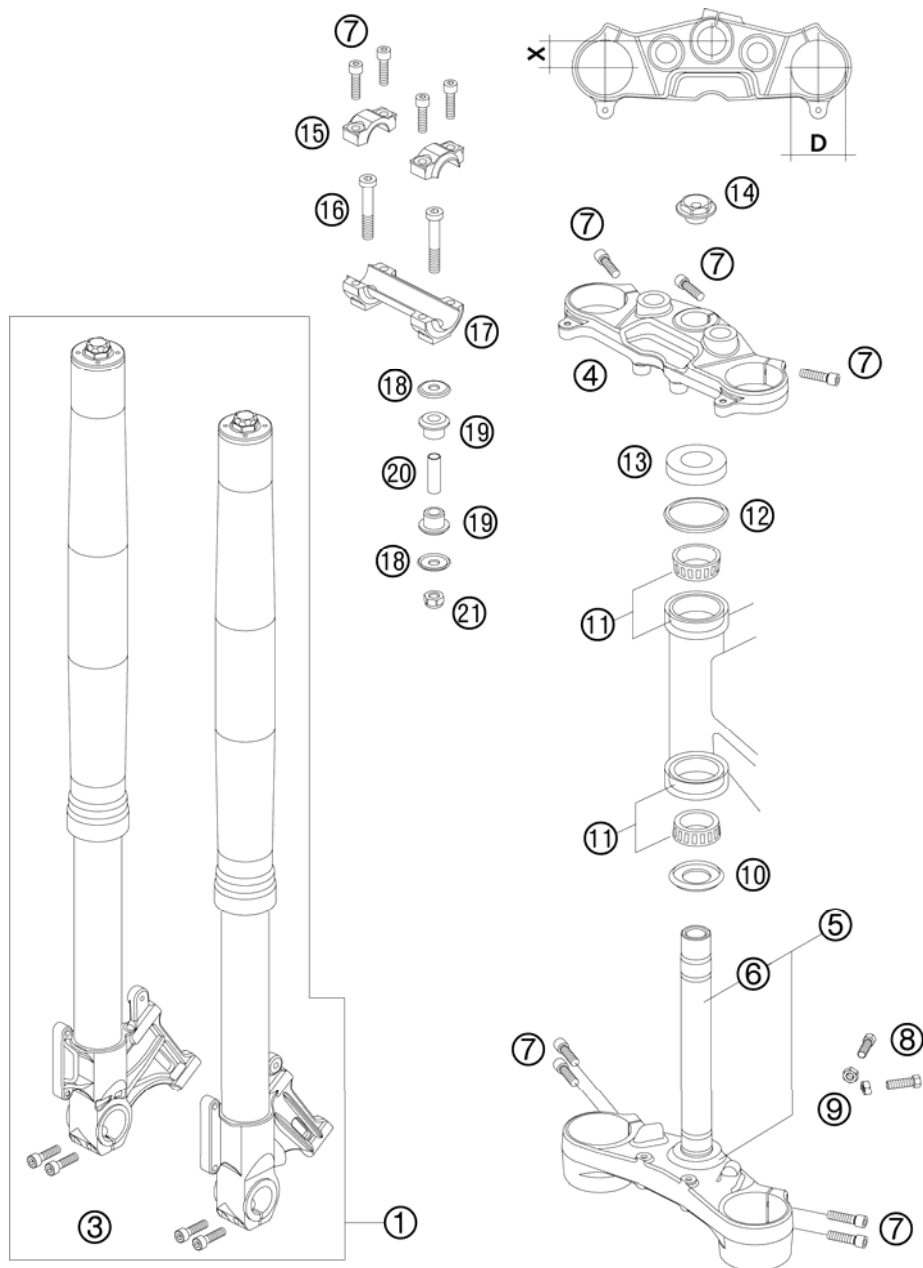
| | | | |
|---|---|---|---|
| <p>FRONT FORK</p>  <p>4</p> | <p>FRONT FORK DISASSEMBLED</p>  <p>5</p> | <p>HANDLEBAR, CONTROLS</p>  <p>6</p> | <p>FRAME</p>  <p>7</p> |
| <p>SIDE STAND</p>  <p>8</p> | <p>SWING ARM</p>  <p>9</p> | <p>SHOCK ABSORBER</p>  <p>10</p> | <p>EXHAUST SYSTEM</p>  <p>11</p> |
| <p>AIR FILTER BOX</p>  <p>12</p> | <p>TANK, SEAT, COVER</p>  <p>13</p> | <p>FUEL PUMP</p>  <p>15</p> | <p>MASK, FENDER</p>  <p>16</p> |

| | | | |
|---|--|--|--|
| DECAL  18 | FRONT WHEEL  19 | REAR WHEEL  20 | WIRING HARNESS  21 |
| BATTERY BOX  22 | HAND BRAKE CYLINDER  23 | REAR BRAKE CONTROL  24 | BRAKE CALIPER FRONT  25 |
| BRAKE CALIPER REAR  26 | LIGHTING SYSTEM  27 | INSTRUMENTS / LOCK SYSTEM  28 | SPECIAL TOOLS  29 |

| | | | |
|--|---|--|--|
| <p>ACCESSORIES KIT</p>  <p>30</p> | | | |
| | | | |
| | <div data-bbox="638 1077 772 1380" data-label="Image"> </div> <p data-bbox="817 1053 2139 1268"> All information contained is without obligation. KTM-Sportmotorcycle AG particularly reserves the right to modify any equipment, technical specifications, prices, colors, shapes, materials, services, service work, constructions, equipment and the like so as to adapt them to local conditions or to cancel any of the above items, all without previous announcement and without giving reasons. KTM may stop manufacturing certain models without previous notice. KTM shall not be held liable for any deviations of availability and/or ability to deliver, illustrations, descriptions, printing and/or other errors. The illustrated models partly contain extra equipment, which is not applied to standard models. © by KTM-SPORTMOTORCYCLE AG, Mattighofen AUSTRIA; All rights reserved; Reprint, also in extracts, with written allowance of KTM-SPORTMOTORCYCLE AG, Mattighofen only. </p> | | |

FRONT FORK

990 SUPER DUKE WHITE EU 2009



| FIG | PART NUMBER | DESCRIPTION | QTY |
|-----|----------------|--------------------------------|-----|
| 1* | 14187E1301 | FRONT FORK WP 990 DUKE '09 | 1 |
| 3 | 0912080303 | AH SCREW DIN0912-M 8X30 | 4 |
| 4 | 6110103402901S | TOP TRIPLE CLAMP 07 | 1 |
| 5 | 6110103202901S | BOT.TRIPLE CLAMP CPL. 07 | 1 |
| 6 | 60001033000 | FORK TUBE LC8 ADV 03 | 1 |
| 7 | 0012080303 | AH SCREW DIN6912-M 8X30 | 11 |
| 8 | 59001037000 | SPECIAL SCREW M8X26 WS=10 | 2 |
| 9 | 0934080003 | HEXAGON NUT DIN0934-M 8 | 2 |
| 10* | 54601084200 | O-RING SUPPORT W. SEALING LIP | 1 |
| 11 | 54201081100 | TAPERED ROLLER BEARING CPL. 06 | 2 |
| 12 | 54601184000 | STEERING HEAD GASKET TOP | 1 |
| 13 | 61001086000 | STEERING HEAD COVER 05 | 1 |
| 14 | 54801036200 | STEER.HEAD SCREW M20x1,5 SW=27 | 1 |
| 15 | 5900103830001S | HANDLEBAR CLAMP 28MM 07 | 2 |
| 16 | 0012100603 | AH SCREW DIN6912-M10X60 | 2 |
| 17 | 5900103920001S | HANDLEBAR SUPPORT 28MM 07 | 1 |
| 18 | 56401042000 | WASHER 10,5X32X2 | 4 |
| 19 | 56401040000 | RUBBER BUSHING | 4 |
| 20 | 61001041000 | SPACER TUBE 10,2X12X38 05 | 2 |
| 21 | 0982100003 | SELF LOCK.NUT DIN0982-M10 HIGH | 2 |

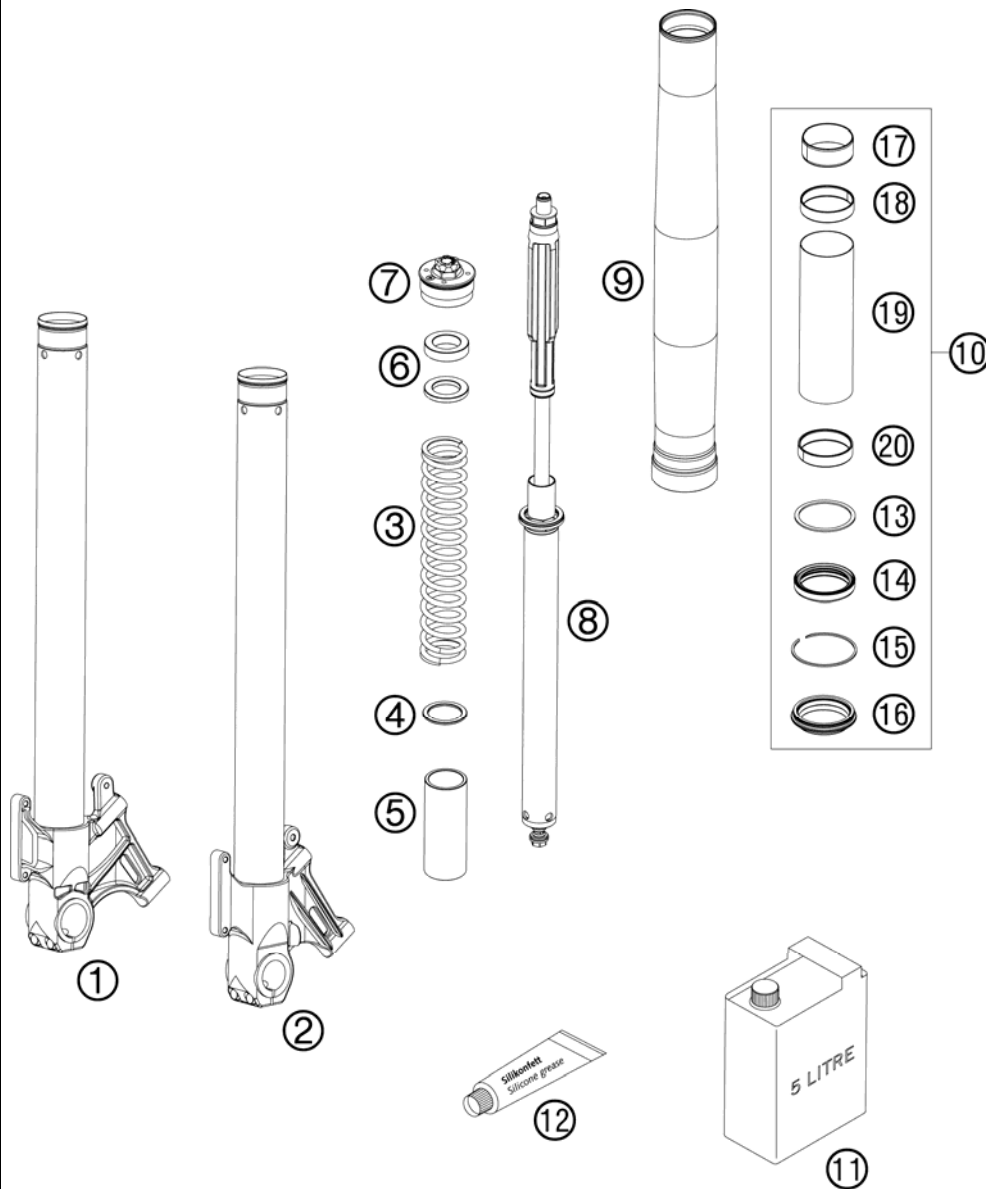
086110110 / C096110110

* NEW PART

X AS REQUIRED

FRONT FORK DISASSEMBLED

990 SUPER DUKE WHITE EU 2009



| FIG | PART NUMBER | DESCRIPTION | QTY |
|-----|-------------|--------------------------------|-----|
| 1 | 48600483S2 | AXLE CLAMP R/S CPL. 07 | 1 |
| 2 | 48600482S2 | AXLE CLAMP L/S CPL. 07 | 1 |
| 3 | 91410038S | SPRING C=9 L=250 D=5,1 05 | x |
| 3 | 91410039S | SPRING C=9,5 L=250 D=5,25 05 | 1 |
| 4 | 48600460 | WASHER 32X42X2,5 | 2 |
| 5 | 48600579 | SPACER ALU D42 X 85 | 2 |
| 6 | 48600036 | SPACER 42X26,5X2,5 | 2 |
| 6 | 48600037 | SPACER 42X26,5X5 | 2 |
| 6 | 48600053 | SPACER 42X26,5X1,5 | 2 |
| 7 | 48600431S | PRE-LOAD ADJ. CPL. M51X1,5 05 | 2 |
| 8 | 48600580S | CARDRIDGE CPL. 07 | 2 |
| 9 | 48600362 | OUTER TUBE L=500 | 2 |
| 10 | R14009 | REPAIR-KIT GASKET 4860 MXMA 05 | 1 |
| 11* | 48600765S1 | FORK OIL SAE5 5L 2008 | 1 |
| 12 | T511 | SILICONE GREASE F. DUST STRI | 1 |
| 13 | 48600013 | SUPPORT RING 50 X 57,6 X 1,5 | 2 |
| 14 | 48600399 | OIL SEAL RING 48X57,8X9,5 | 2 |
| 15 | 48600070 | LOCK WASHER SB58 | 2 |
| 16 | 48600400 | DUST CAP D=48 58,4X11,8 | 2 |
| 17 | 48600428 | DU-BUSH D47XD49X20DDL02 | 2 |
| 18 | 48600236 | GUIDING RING 48X51X12 | 2 |
| 19 | 48600245 | SPACER 50,95X0,85X161,5 | 2 |
| 20 | 48600429 | DU-BUSH D48XD52X12DDL02 | 2 |

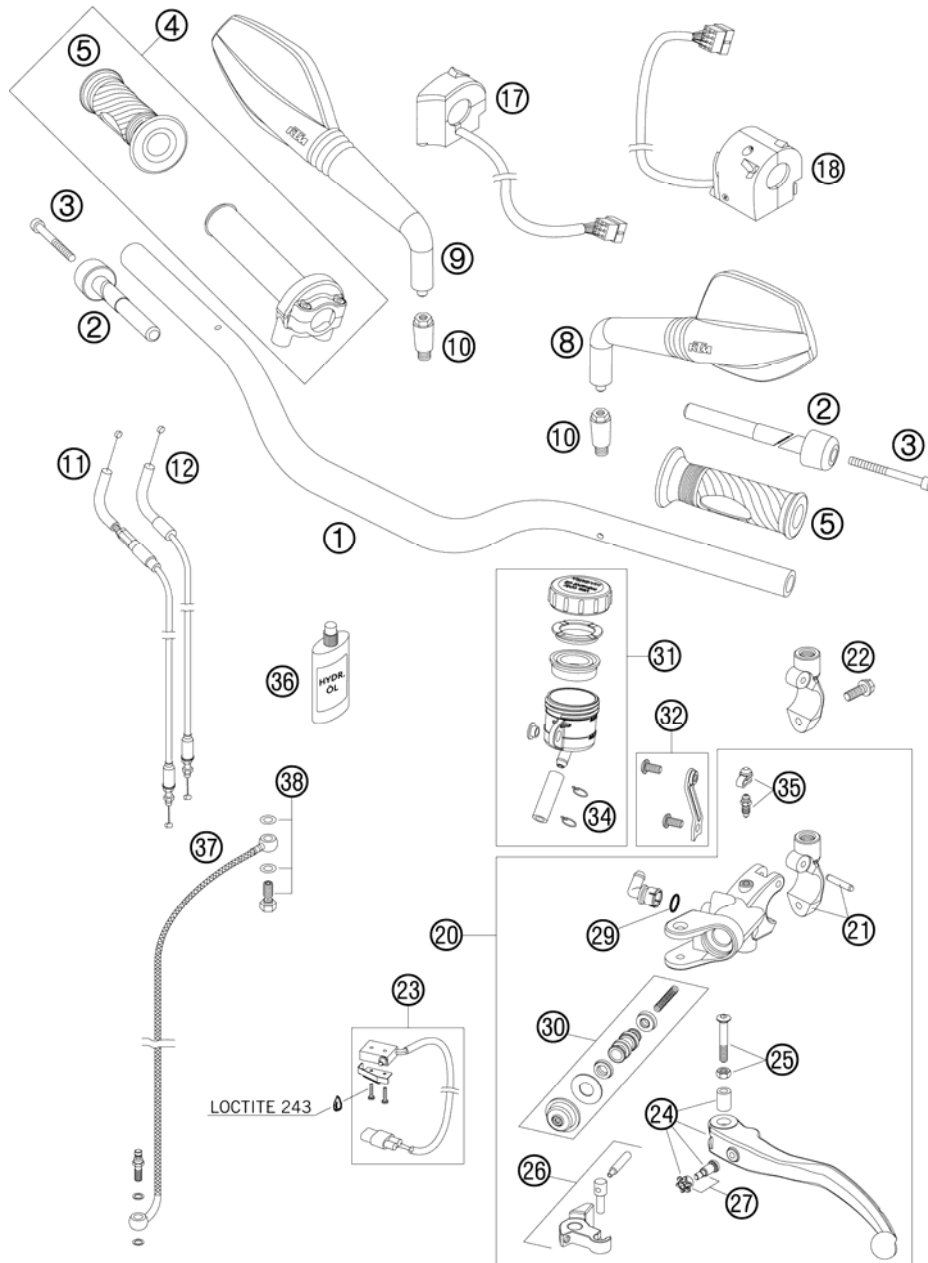
086110130 / C096110130

* NEW PART

X AS REQUIRED

HANDLEBAR, CONTROLS

990 SUPER DUKE WHITE EU 2009



| FIG | PART NUMBER | DESCRIPTION | QTY |
|-----|-------------|-------------------------------|-----|
| 1 | 61002001100 | HANDLEBAR | 06 |
| 2 | 61002004000 | VIBRATIONS ABSORBER | 05 |
| 3 | 0912060653 | AH SCREW DIN0912-M 6X65 | 2 |
| 4 | 61002010000 | THROTTLE GRIP | 05 |
| 5 | 61002021000 | GRIPP SET | 1 |
| 8 | 61112040000 | REVIEW MIRROR L/S | 07 |
| 9 | 61112041000 | REVIEW MIRROR R/S | 07 |
| 10 | 58412040050 | SUPPORT FOR MIRROR LC4 '98 | 2 |
| 11 | 61002091000 | THROTTLE CABLE OPEN | 05 |
| 12 | 61002092000 | THROTTLE CABLE CLOSE | 05 |
| 17 | 58411074300 | START-STOP SWITCH AD | 03 |
| 18 | 61011070000 | LIGHT SWITCH | 05 |
| 20 | 61002030000 | MASTER CYLINDER CPL. | 05 |
| 21 | 61002044000 | CLAMP MIRROR WITH PIN | 1 |
| 22 | 0025060166 | HH COLLAR SCREW M6X16 TX30 | 1 |
| 23 | 61011049000 | CLUTCH SWITCH | 05 |
| 24 | 61002031000 | CLUTCH LEVER CPL. | 05 |
| 25 | 61002038000 | LEVER SCREW CPL. | 05 |
| 26 | 61002056000 | ROCKER CPL. | 05 |
| 27 | 61002043000 | ADJUSTING SCREW CPL. | 1 |
| 29 | 61002051000 | O-RING ANGLE PIECE | 1 |
| 30 | 61002032000 | REP.SET PISTON D=13 | 05 |
| 31 | 61002055000 | RESERVOIR CPL. | 05 |
| 32 | 61002055050 | BRACKET AND SCREWS F. RESERV. | 1 |
| 34 | 58007117000 | YDNAC-CLAMP 10107 10MM | 2 |
| 35 | 61002054000 | BLEEDER SCREW WITH CAP | 1 |
| 36 | 50302036200 | OIL FOR HYD. CLUTCH 75ML | 1 |
| 37 | 61032063000 | CLUTCH PIPE | 05 |
| 38 | 59032062000 | HOLLOW SCREW + COPPER GASKET | 1 |

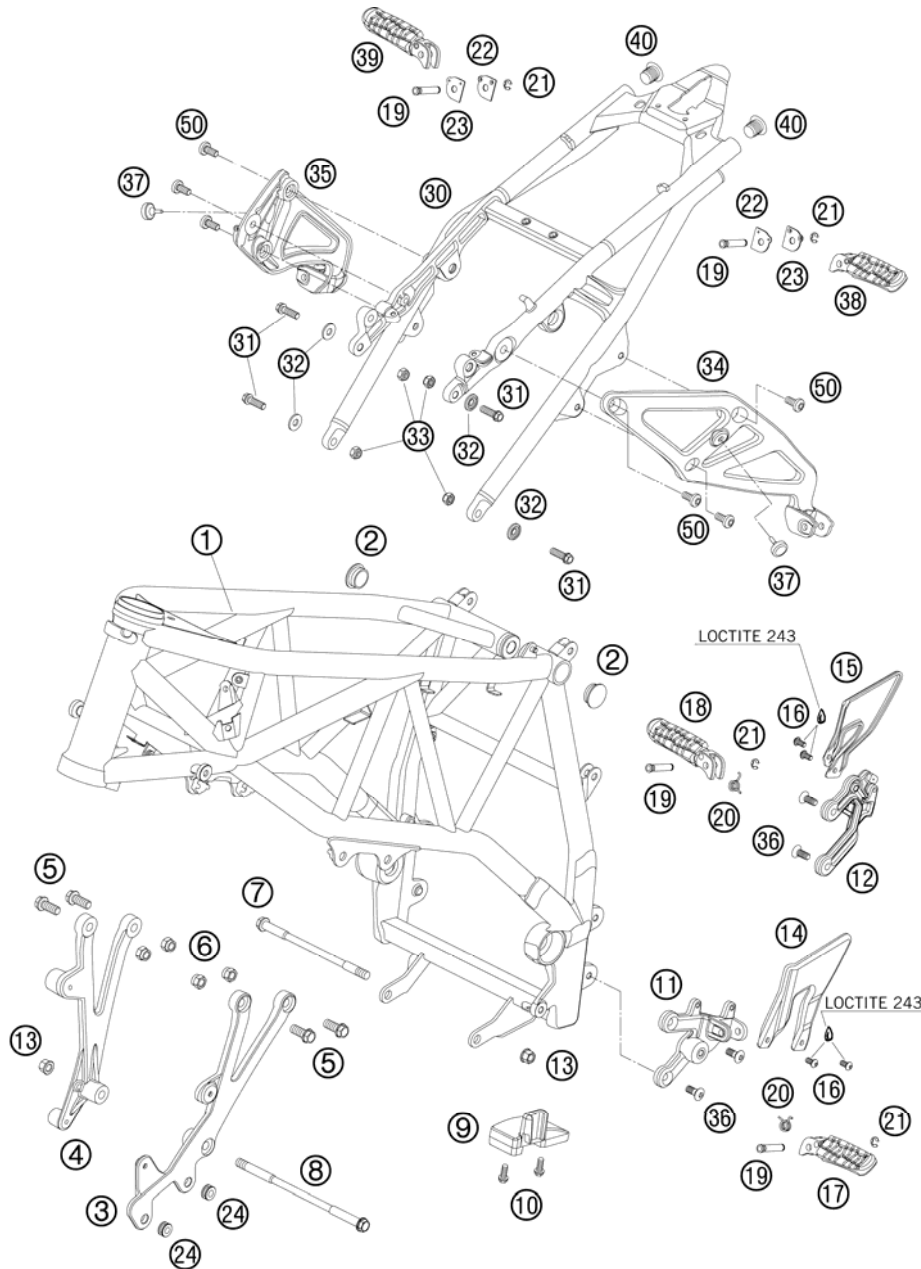
086110210 / C096110210

* NEW PART

X AS REQUIRED

FRAME

990 SUPER DUKE WHITE EU 2009



| FIG | PART NUMBER | DESCRIPTION | QTY |
|-----|----------------|--------------------------------|-----|
| 1 | 6110300120033 | FRAME "FG07" BLACK 990 SD 08 | 1 |
| 2 | 61003088000 | PLUG SFL28 05 | 2 |
| 3 | 6100300500001S | ENGINE SUPPORT LEFT 07 | 1 |
| 4 | 6100300600001S | ENGINE SUPPORT RIGHT 07 | 1 |
| 5 | 0015100243 | HH COLLAR SCREW M10X24 WS=13 | 4 |
| 6 | 54310086100 | SELF LOCKING NUT M10 CU WS=14 | 4 |
| 7 | 60003013000 | ENGINE BRAC. SCREW M10X172 03 | 1 |
| 8 | 60003014000 | ENGINE BRAC. SCREW M10X206 03 | 1 |
| 9 | 60004076100 | CHAIN SLIDING BLOCK 05 | 1 |
| 10 | 0017060204 | EJOT PT SCREW K60X20 ALU WS=6 | 2 |
| 11 | 6100303800001S | FOOTREST BRACKET FRONT L/S 07 | 1 |
| 12 | 6100303900001S | FOOTREST BRACKET FRONT R/S 07 | 1 |
| 13 | 54630044000 | COLLAR NUT M10 WS=13 | 2 |
| 14 | 61134032000 | HEEL PROTECTOR L/S 07 | 1 |
| 15 | 61113032000 | HEEL PROTECTOR R/S 07 | 1 |
| 16 | 0738060101 | COU.SUNK SCR. AH ISO7380 M6X10 | 4 |
| 17 | 61003050000 | FOOTREST FRONT L/S CPL. 05 | 1 |
| 18 | 61003051000 | FOOTREST FRONT R/S CPL. 05 | 1 |
| 19 | 60003044000 | BOLT FOR FOOTREST REAR 03 | 4 |
| 20 | 61003042000 | SPRING FOOTREST FRONT 05 | 2 |
| 21 | 0799060003 | TAB WASHER DIN6799-RS 6,0 | 4 |
| 22 | 60003152000 | ENGAGE PANEL FOOTREST L/S 03 | 2 |
| 23 | 60003052000 | ENGAGE PANEL FOOTREST R/S 03 | 2 |
| 24 | 60003098000 | RUBBER SLEEVE 03 | 2 |
| 30 | 6110300210092 | CANTILEVER PLATIN 07 | 1 |
| 31 | 0012080303 | AH SCREW DIN6912-M 8X30 | 4 |
| 32 | 61003002058 | STEPPED WASHER 8,5X20X3,5 05 | 4 |
| 33 | 0926080003 | STOP NUT DIN6926 M8 SS | 4 |
| 34 | 6100304800001S | FOOTREST BRACKET REAR L/S 07 | 1 |
| 35 | 6100304900001S | FOOTREST BRACKET REAR R/S 07 | 1 |
| 36 | 0019080206S | FLAT HEAD SCREW M. ISA45 M8X20 | 4 |
| 37 | 60006001021 | DISTANCE RUBBER AIRBOX 03 | 2 |
| 38 | 60003050000 | FOOTREST CPL. L/S REAR 03 | 1 |
| 39 | 60003051000 | FOOTREST CPL. R/S REAR 03 | 1 |
| 40 | 61003089000 | PLUG SFL 22X1,8-3,5 | 2 |
| 50 | 61003052000 | SPECIAL SCREW M8X18 06 | 6 |

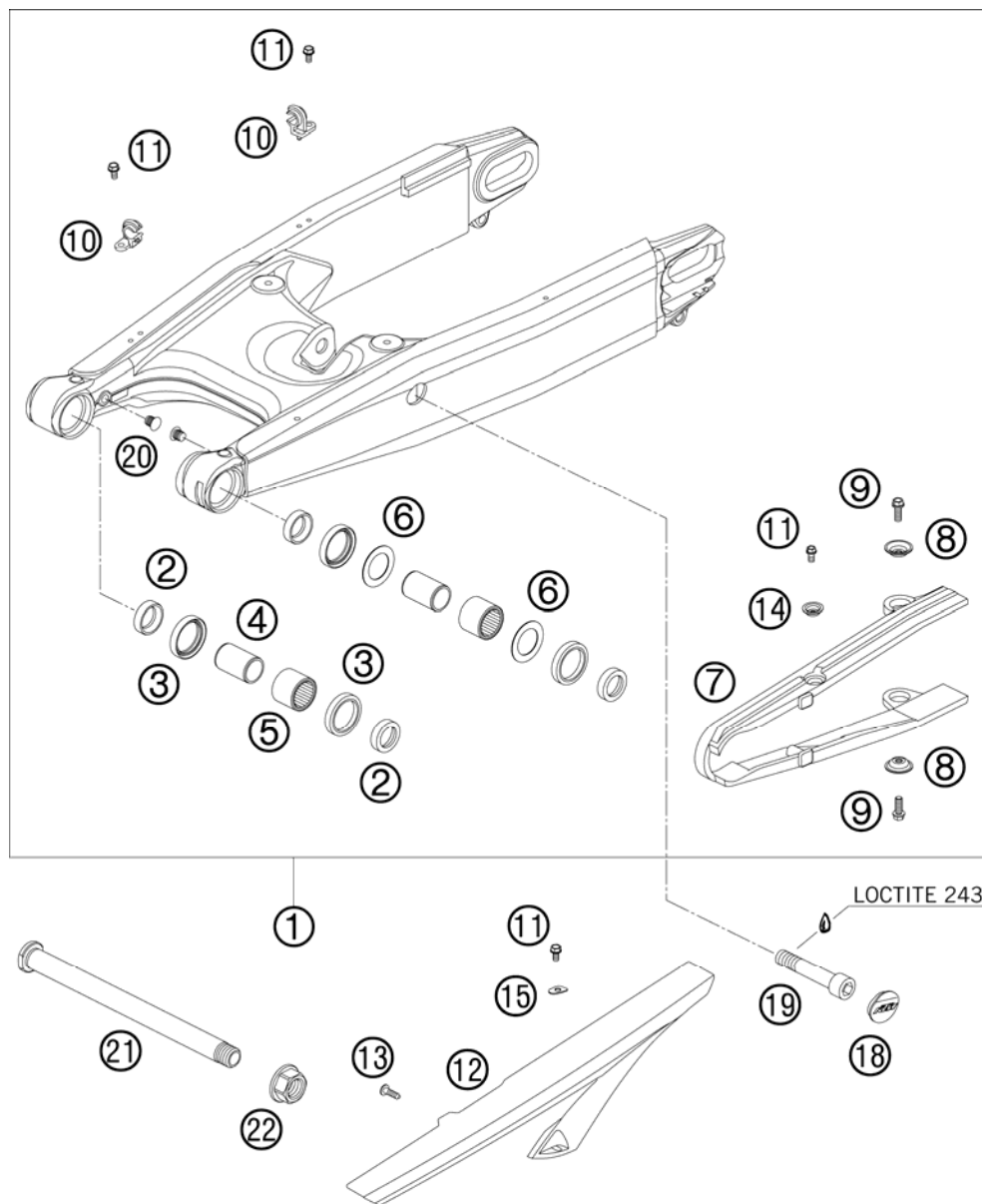
086110310 / C096110310

* NEW PART

X AS REQUIRED

SWING ARM

990 SUPER DUKE WHITE EU 2009



| FIG | PART NUMBER | DESCRIPTION | QTY |
|-----|---------------|--------------------------------|-----|
| 1 | 6100403004433 | SWING ARM CPL. SM-R SD-R 07 | 1 |
| 2 | 60004034000 | BUCKET F. SHAFT SEAL RING 03 | 4 |
| 3 | 0760304073 | SHAFT SEAL RING 30X40X7 | 4 |
| 4 | 60004032000 | INNER RING JR20X25X38,5 03 | 2 |
| 5 | 60004031000 | NEEDLE BUSH HK2526B 03 | 2 |
| 6 | 60004033000 | STOP DISK 03 | 2 |
| 7 | 60004066100 | CHAIN SLID. GUARD SWINGARM 05 | 1 |
| 8 | 72210079000 | BUCKET | 2 |
| 9 | 0025060166 | HH COLLAR SCREW M6X16 TX30 | 2 |
| 10 | 5461107610030 | RET. CLAMP F. BRAKE HOSE BLACK | 2 |
| 11 | 0009050103 | SPECIAL SCREW M 5,0X10 | 4 |
| 12 | 61004060000 | CHAINGUARD 05 | 1 |
| 13 | 0081500181 | SCREW FOR PLASTIC D=5X18 | 1 |
| 14 | 46104066050 | BUSH FOR CHAINSLIDER GUARD 02 | 1 |
| 15 | 61004060050 | WASHER CHAINGUARD 05 | 1 |
| 18 | 60004041000 | PLUG SWINGARM 03 | 1 |
| 19 | 60004017000 | SCREW M14X1,5 L=73MM 03 | 1 |
| 20 | 60004042000 | PLUG SFL12 GREY 05 | 2 |
| 21 | 60004037144 | SWINGARM BOLT CPL. 05 | 1 |
| 22 | 60004038000 | COLLAR NUT M19X1,5 WS=27MM 03 | 1 |

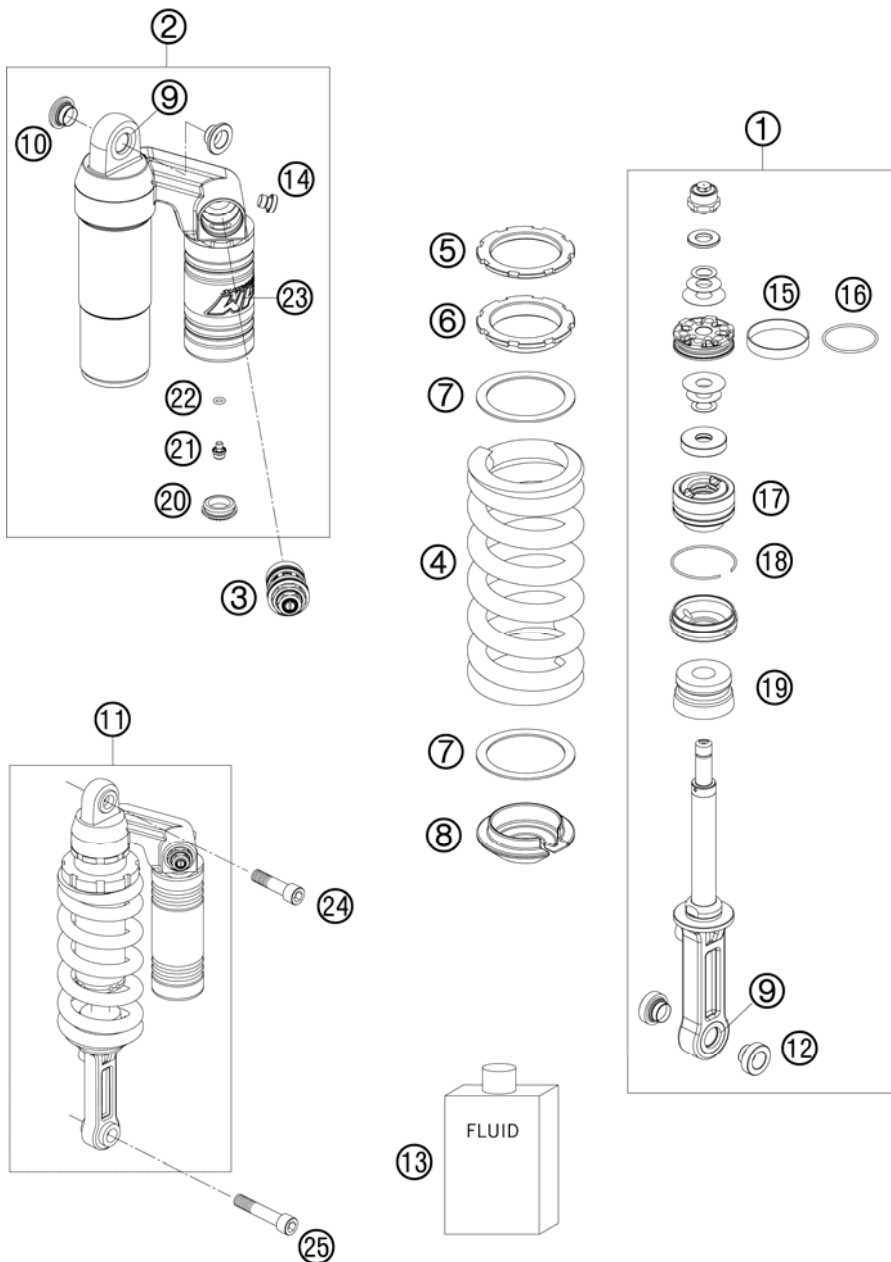
086100490 / C096100490

* NEW PART

X AS REQUIRED

SHOCK ABSORBER

990 SUPER DUKE WHITE EU 2009



| FIG | PART NUMBER | DESCRIPTION | QTY |
|-----|-------------|--------------------------------|-----|
| 1 | 46180794S1 | MONOSHOCK LOWER PART | 1 |
| 2 | 46180854SA | MONOSHOCK CASE TOP | 1 |
| 3 | 50180213S10 | DCC-COMPR.DAMP.CONTROL CPL. 07 | 1 |
| 4 | 91010275S | SPRING 160-185 ORANGE | x |
| 4 | 91010286S | SPRING(59) 180-185 D=14 ORANGE | x |
| 4 | 91010287S | SPRING(59) 170-185 D=14 ORANGE | 1 |
| 5 | 46180766 | COUNTERNUT | 1 |
| 6 | 46180765 | ADJUSTING NUT M54X1,5 | 1 |
| 7 | 50180410 | INTERM.RING D=58 | 2 |
| 8 | 46180396 | SPRING RETAINER H=15 D=28 | 1 |
| 9 | R15009 | BEARING KIT KGW 1525 990 DUKE | 2 |
| 10 | 50180366 | ADAPTOR BUSH KGW 14X24 | 2 |
| 11 | 15187E01 | MONOSHOCK 990 SUPERDUKE 09 | 1 |
| 12 | 46180362 | ADAPTOR BUSH KGW 14X32 07 | 2 |
| 13 | 50180342 | SHOCK ABSORBER FLUID SAF 1579A | 1 |
| 14 | 50180095 | BLEED PLUG R 1/8 | 1 |
| 15 | 46810361 | PISTON RING | 1 |
| 16 | 46810035 | O-RING VITON 37,82X1,78 | 1 |
| 17 | 46180669S | ADAPTOR CPL. D=46 H=28 07 | 1 |
| 18 | 46810010 | CIRCLIP 49X1,5 | 1 |
| 19 | 46180365 | BUMP RUBBER WP60 H=30 D=18-26 | 1 |
| 20 | 46811208 | RUBBER CAP "DO NOT OPEN" | 1 |
| 21 | 36120151 | SCREW PLUG M5X6 | 1 |
| 22 | 46810893 | O-RING NBR 5,28X1,78 | 1 |
| 23 | 52000044 | STICKER WP KTM | 1 |
| 24 | 60004016000 | SCREW M14X1,5 L=55MM | 03 |
| 25 | 60004017000 | SCREW M14X1,5 L=73MM | 03 |

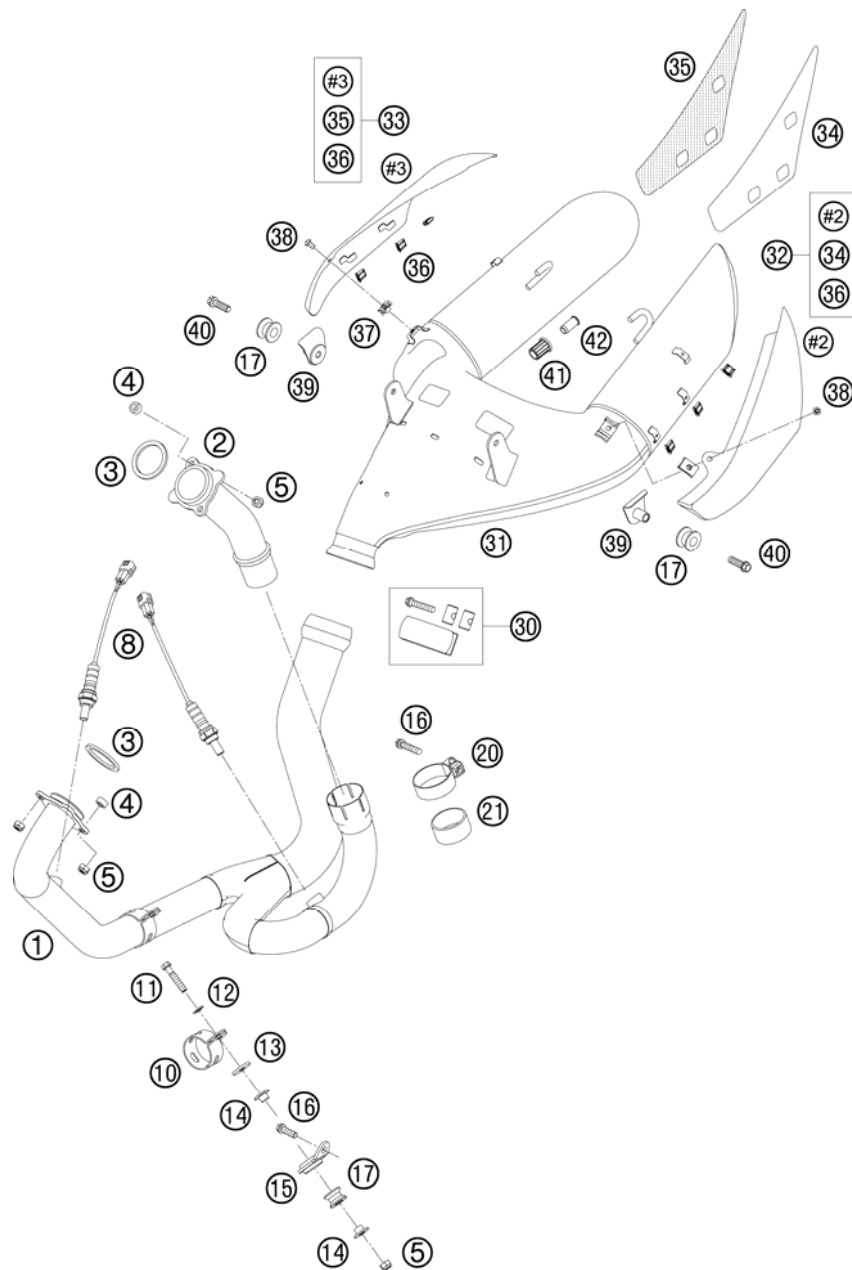
096110410 / C096110411

* NEW PART

X AS REQUIRED

EXHAUST SYSTEM

990 SUPER DUKE WHITE EU 2009



| FIG | PART NUMBER | DESCRIPTION | QTY |
|-----|-------------|--------------------------------|-----|
| 1 | 61105007000 | EXHAUST PIPE FRONT 07 | 1 |
| 2 | 61105008000 | EXHAUST PIPE REAR 07 | 1 |
| 3 | 61005005000 | EXHAUST GASKET 05 | 2 |
| 4 | 61005009000 | SPACER BUSH. 8,5X15X7,5 05 | 2 |
| 5 | 51010086100 | SELF LOCKING NUT M 8 CU | 5 |
| 8 | 61041090000 | LAMBDA SENSOR 05 | 2 |
| 10 | 61005007049 | CLAMP EXHAUST PIPE 05 | 1 |
| 11 | 0025080406 | HH COLLAR SCREW M8X40 TX40 | 1 |
| 12 | 0021080003 | WASHER DIN9021-A 8,4 | 1 |
| 13 | 51005067000 | INSULATE WASHER 8,5X28X3 | 1 |
| 14 | 58405050065 | COLLAR BUSH 8,5X12X23,5X10 | 2 |
| 15 | 62505015150 | EXHAUST PIPE BRACKET FRONT 07 | 1 |
| 16 | 0025080356 | HH COLLAR SCREW M8X35 TX40 | 2 |
| 17 | 54305068100 | DAMP. COMPONENT SILICONE GREY | 3 |
| 20 | 61105051000 | EXHAUST CLAMP 52,2MM 07 | 1 |
| 21 | 58405005001 | GRAPHITRING 45X50X25 | 1 |
| 30 | 61005052000 | EXHAUST CLAMP CPL. 05 | 1 |
| 31 | 61105083000 | SILENCER 07 | 1 |
| 32 | 61005090120 | THERMAL SHIELD SILENCER LE. 07 | 1 |
| 33 | 61005090130 | THERMAL SHIELD SILENCER RE. 07 | 1 |
| 34 | 61005090122 | THER.PROT.FOIL SILENCER L/S | 1 |
| 35 | 61005090132 | THER.PROT. FOIL SILENCER R/S | 1 |
| 36 | 61005091000 | DAMP. COMPON. SILICONE GREY 05 | 6 |
| 37 | 54603048100 | RANGE CHANGE METAL NUT M6 | 2 |
| 38 | 0738060101 | COU.SUNK SCR. AH ISO7380 M6X10 | 2 |
| 39 | 61005083011 | ANTI-ROTATION ELEMENT CPL. 05 | 2 |
| 40 | 0025080256 | HH COLLAR SCREW M8X25 TX40 | 2 |
| 41 | 61005013000 | RUBBER SILENCER SUPPORT 05 | 2 |
| 42 | 61005014000 | SLEEVE SILENCER SUPPORT 05 | 2 |

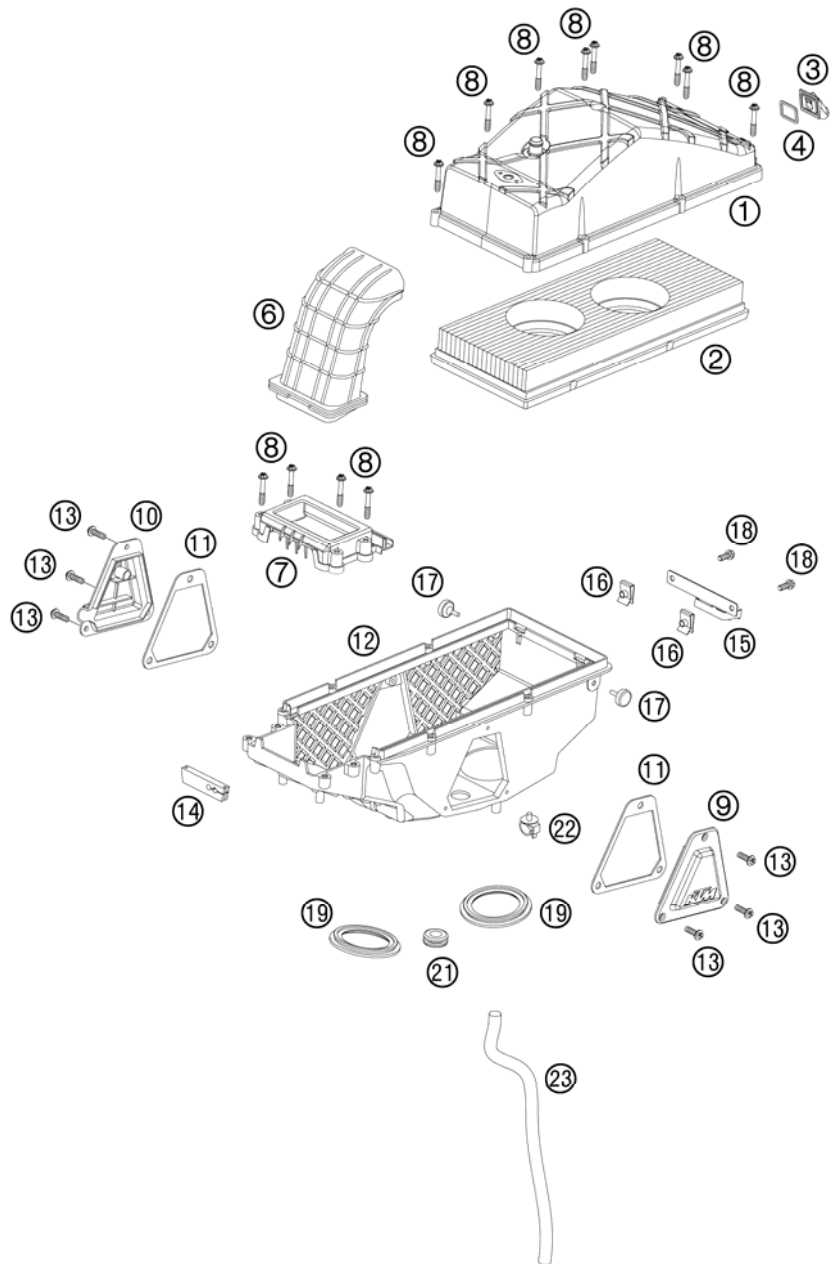
086110510 / C096110510

* NEW PART

X AS REQUIRED

AIT FILTER BOX

990 SUPER DUKE WHITE EU 2009



| FIG | PART NUMBER | DESCRIPTION | QTY |
|-----|-------------|--------------------------------|-----|
| 1 | 61006002000 | AIRBOX COVER 990 DUKE | 04 |
| 2 | 61006015000 | AIR FILTER EFI | 05 |
| 3 | 60006007000 | CONNECTOR FOR SAS LC8 | 03 |
| 4 | 60006007050 | GASKET SAS CONNECTOR | 03 |
| 6 | 60006040000 | INTAKE SNORKEL | 03 |
| 7 | 60006004000 | AIRBOX FRONT PART LC8 | 03 |
| 8 | 60006006000 | SPECIAL SCREW K60X35/15 | 03 |
| 9 | 60006003002 | AIRBOX COVER L/S R/S | 03 |
| 10 | 61006003002 | AIRBOX COVER R/S EFI | 05 |
| 11 | 60006003050 | GASKET F. AIRBOX COVER L/S R/S | 03 |
| 12 | 61006001000 | FILTER BOX LOWER PART 990 | 05 |
| 13 | 0017060203 | EJOT PT SCREW K60X20 WS=6 | 05 |
| 14 | 61006001030 | RUBBER SLEEVE F. THR. CABLE | 05 |
| 15 | 61006001020 | SAS-BRACKET PANEL | 05 |
| 16 | 54603048100 | RANGE CHANGE METAL NUT M6 | 05 |
| 17 | 60006001021 | DISTANCE RUBBER AIRBOX | 03 |
| 18 | 0025060166 | HH COLLAR SCREW M6X16 TX30 | 03 |
| 19 | 60036045000 | RUBBER SLEEVE AIRBOX | 03 |
| 21 | 60006001041 | RUBBER SLEEVE FUEL HOSE | 03 |
| 22 | 58111076000 | CABLE SUPPORT KHS NR.150-47610 | 03 |
| 23 | 57005020001 | HOSE 10X14 PER METER | X |

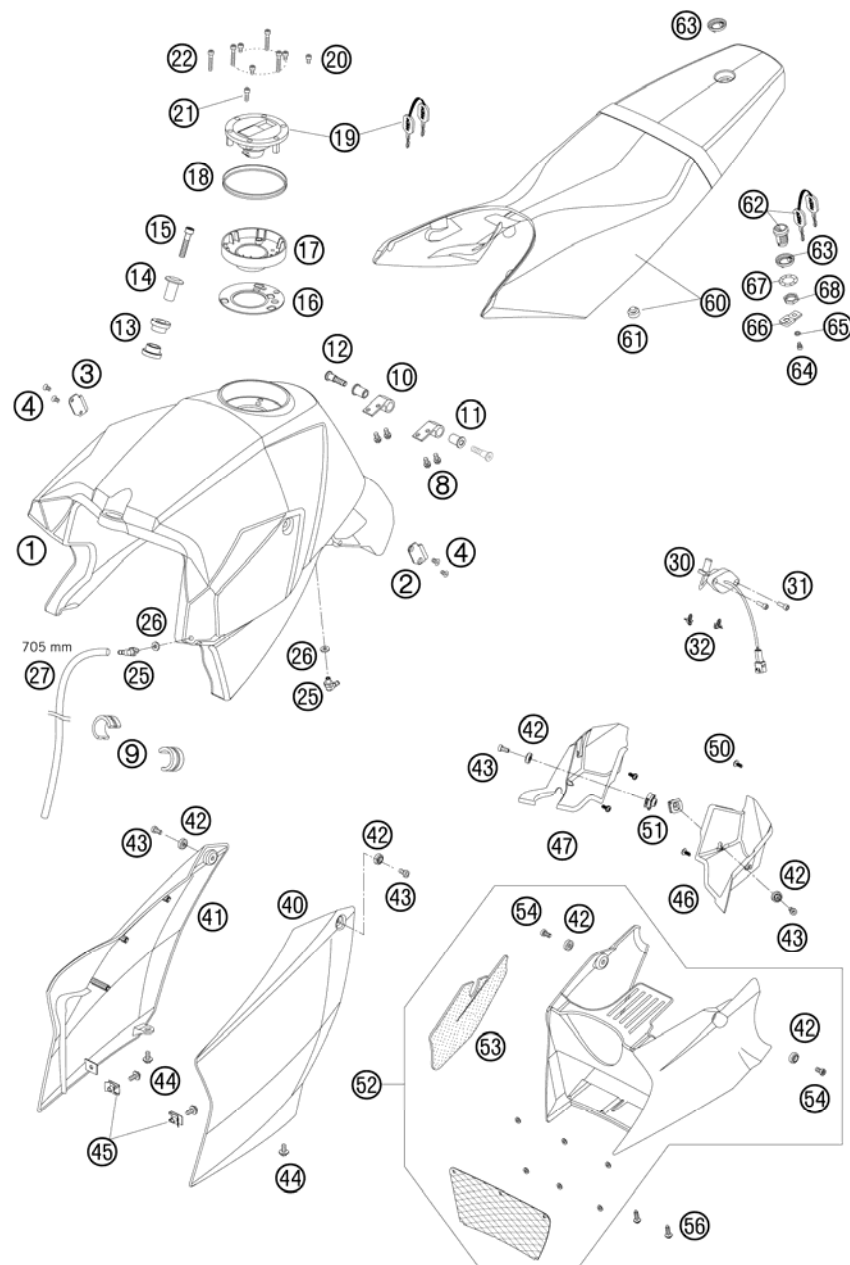
086100610 / C096100610

* NEW PART

X AS REQUIRED

TANK, SEAT, COVER

990 SUPER DUKE WHITE EU 2009



| FIG | PART NUMBER | DESCRIPTION | QTY |
|-----|----------------|---------------------------------------|-----|
| 1 | 6110701300047A | FUEL TANK BLACK-MET. 07 | 1 |
| 2 | 61007041000 | BRACKET SEAT L/S 05 | 1 |
| 3 | 61007042000 | BRACKET SEAT R/S 05 | 1 |
| 4 | 0991050102 | FLAT H.SCEW DIN7991-M5X10 10.9 | 4 |
| 8 | 0025060126 | HH COLLAR SCREW M6X12 TX30 | 4 |
| 9 | 61007014000 | SPACER FUEL TANK 05 | 2 |
| 10 | 61007025000 | BRACKET FUEL TANK 05 | 2 |
| 11 | 61007027000 | RUBBER BEARING FUEL TANK 05 | 2 |
| 12 | 61007026000 | SPECIAL SCREW M10X36 AH 05 | 2 |
| 13 | 61007065000 | TANK RUBBER BUSHING FRONT 05 | 2 |
| 14 | 61007060000 | BEARING BUSHING OUTSIDE 05 | 1 |
| 15 | 0912080403 | AH SCREW DIN912 M8X40 | 1 |
| 16 | 60007008051 | SEAL. FLANGE F.TANK INSERT 03 | 1 |
| 17 | 60007008150 | TANK INSERT 05 | 1 |
| 18 | 60007008052 | SEAL. RING F. TANK INSERT 03 | 1 |
| 19 | 61007008000 | TANK PLUG CPL. 05 | 1 |
| 20 | 0912050083 | AH SCREW DIN 912 M 5X8 | 3 |
| 21 | 0912050123 | AH SCREW DIN0912-M 5X12 | 1 |
| 22 | 0912050303 | AH SCREW DIN0912-M 5X30 | 3 |
| 25 | 60007024000 | CONNECT.PIECE F.OVERFLOW M7 03 | 2 |
| 26 | 60007024050 | GASKET FOR CONNECTING PIECE 03 | 2 |
| 27 | 60007026001 | HOSE NBR 5,4X9,4 PER METER | x |
| 30 | 58207080200 | GAS LEVEL SENSOR 07 | 1 |
| 31 | 0912050163 | AH SCREW DIN0912-M 5X16 | 2 |
| 32 | 61011094000 | CABLE TIE WITH PLUG M6 | 2 |
| 40 | 6110805000074A | SPOILER LEFT ORANGE 07 WITH DECAL | 1 |
| 41 | 6110805100074A | SPOILER RIGHT ORANGE 07 WITH DECAL | 1 |
| 42 | 60008045000 | SPECIAL WASHER D=16,5MM 03 | 6 |
| 43 | 0984060163 | AH SCREW DIN6912-M 6X16 | 4 |
| 44 | 0024060136 | HH COLLAR SCREW M6X13 TX30 | 4 |
| 45 | 54603048100 | RANGE CHANGE METAL NUT M6 | 2 |
| 46 | 61108050050 | INNER COVER SPOILER LEFT 07 | 1 |
| 47 | 61108051050 | INNER COVER SPOILER RIGHT 07 | 1 |
| 50 | 0016050121 | SCREW FOR PLASTIC 50X12 | 5 |

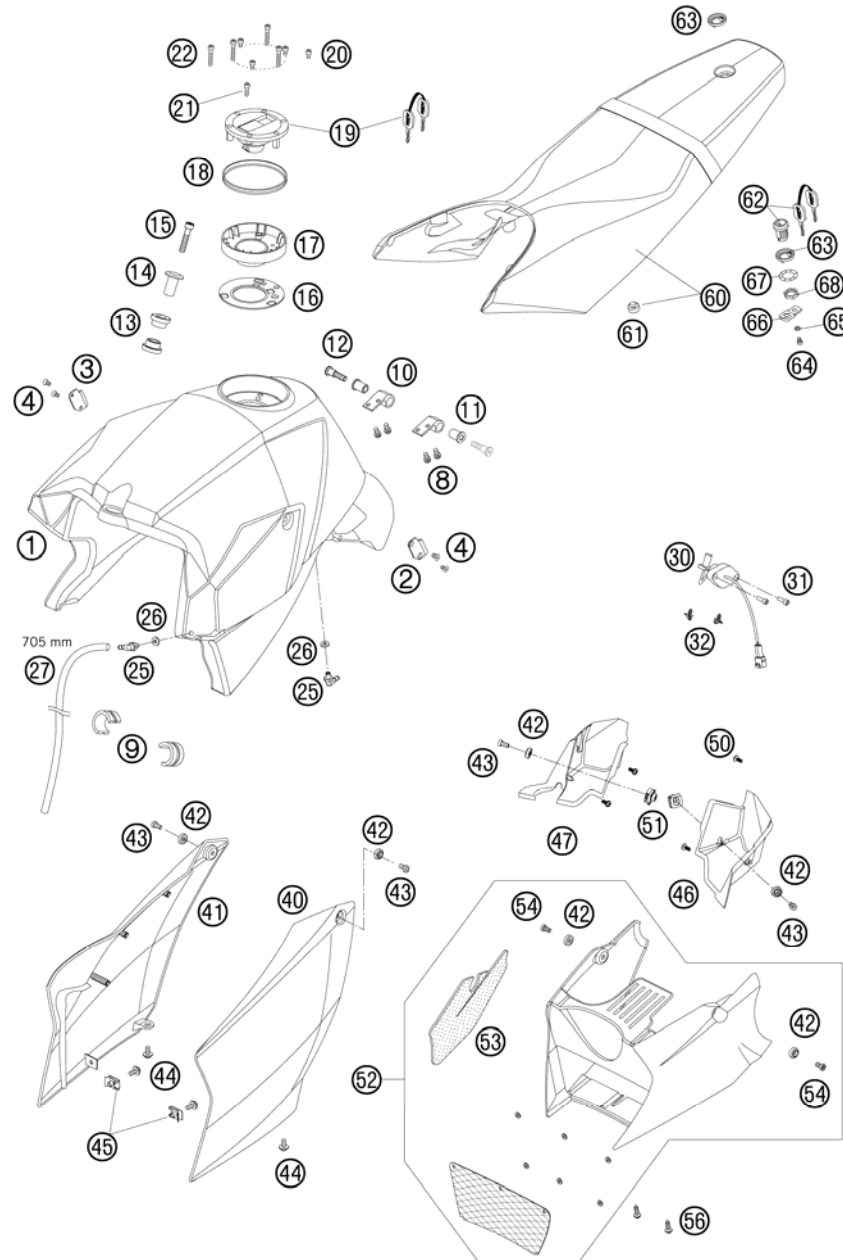
086110710 / C096110710

* NEW PART

X AS REQUIRED

TANK, SEAT, COVER

990 SUPER DUKE WHITE EU 2009



| FIG | PART NUMBER | DESCRIPTION | QTY |
|-----|----------------|--|-----|
| 51 | 50235033300 | SNAP-NUT HOLDER M6 KP142 | 2 |
| 52 | 6100802014473A | %FRONT-END SPOILER CPL. OR. 07 WITH DECAL | 1 |
| 53 | 61008020150 | THERMAL PROTECTION FOIL 07 | 1 |
| 54 | 0012060164 | AH SCREW DIN6912 M6X16 SL | 2 |
| 56 | 0017060203 | EJOT PT SCREW K60X20 WS=6 | 2 |
| 60 | 6100704000047 | SEAT BLACK LOGO ORANGE 07 | 1 |
| 61 | 58407040060 | PLUG FOR SEAT | 6 |
| 62 | 61007050000 | SEAT LOCK 05 | 1 |
| 63 | 61007052000 | SPACER RING SEAT LOCK 05 | 1 |
| 64 | 61007050020 | SCREW M4 AF32 05 | 1 |
| 65 | 61007050010 | WASHER AF150 05 | 1 |
| 66 | 61007050040 | CLOSING PANEL TR248 05 | 1 |
| 67 | 61007050050 | WASHER TR12.01 05 | 1 |
| 68 | 61007050030 | NUT M19 X1 AF36 05 | 1 |

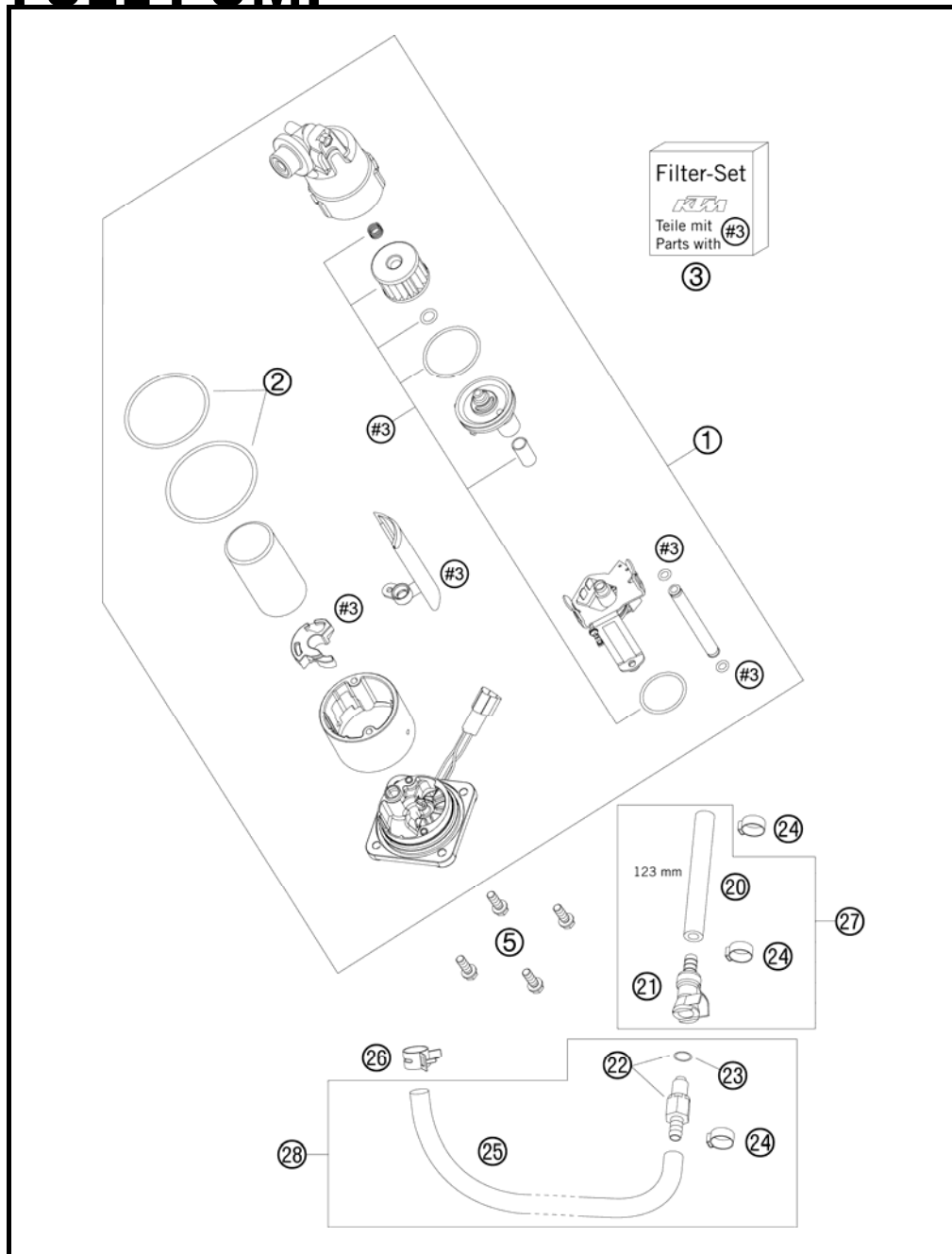
086110710 / C096110710

* NEW PART

X AS REQUIRED

FUEL PUMP

990 SUPER DUKE WHITE EU 2009



| FIG | PART NUMBER | DESCRIPTION | QTY |
|-----|---------------|--------------------------------|-----|
| 1 | 61007088200 | PUMP WITHOUT RESERVE INDICATOR | 1 |
| 2 | 61007089000 | O-RING SET FOR FUEL PUMP 05 | 1 |
| 3 | 61007090000 | FILTER-SET FUEL PUMP 05 | 1 |
| 5 | 0025060166 | HH COLLAR SCREW M6X16 TX30 | 4 |
| 20 | 60007016001 | HOSE 7,5X13,5 PER METER | x |
| 21 | 5850701050030 | CLUTCH CPC BLACK 05 | 1 |
| 22 | 5850701030030 | PLUG CPC BLACK 05 | 1 |
| 23 | 58507012000 | O-RING VITON F. PLUG CPC 05 | 1 |
| 24 | 00050153706 | VARIABLE ONE-EAR CLAMP 15,3MM | 3 |
| 25 | 61007016000 | FUEL HOSE 05 | 1 |
| 26 | 00049140121 | CLAMP STD DN14 | 1 |
| 27 | 60107016151 | FUEL HOSE CPL. 08 | 1 |
| 28 | 61007016050 | FUEL HOSE 90° 1 CPL. 05 | 1 |

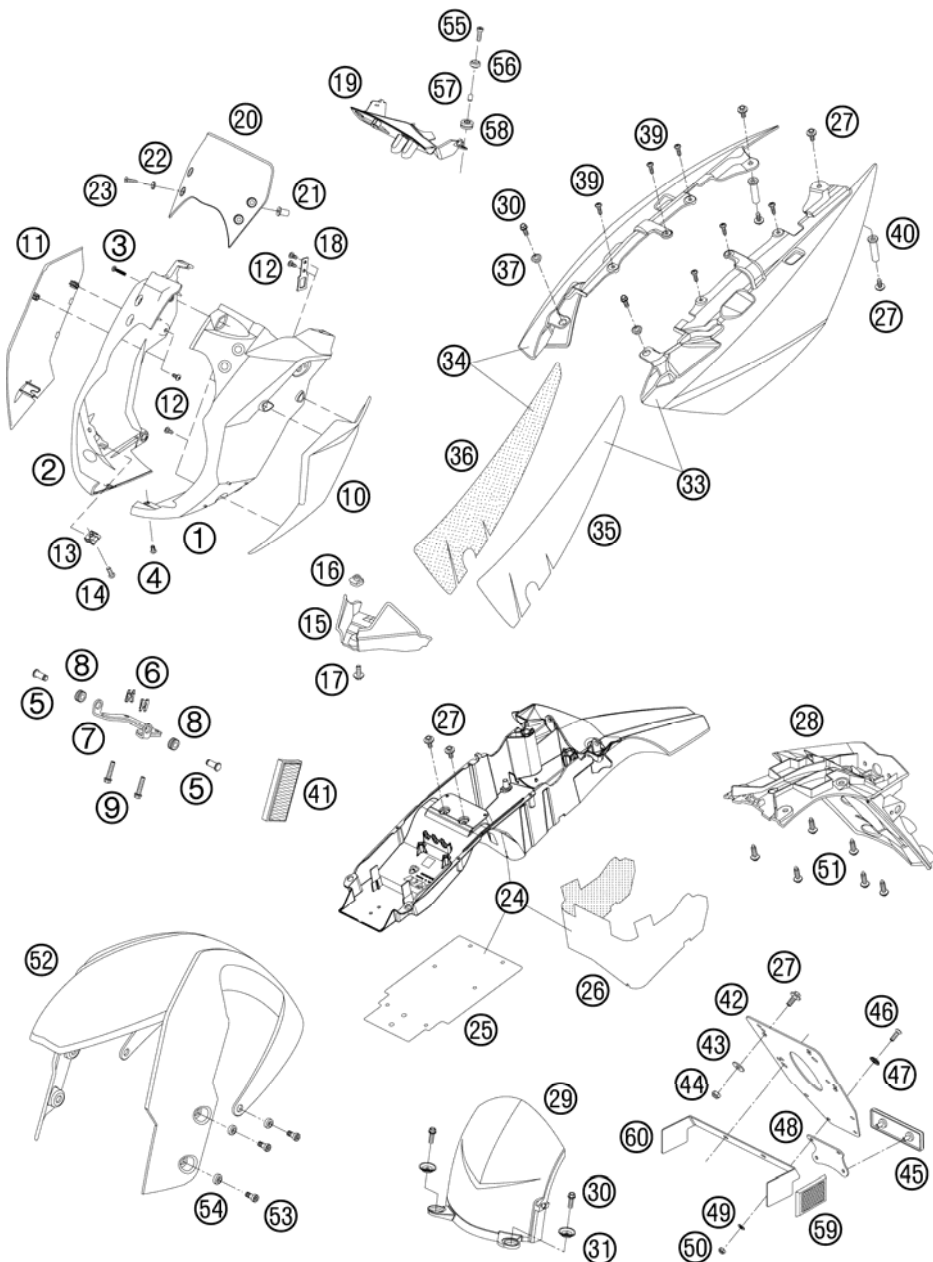
086110730 / C096110730

* NEW PART

X AS REQUIRED

MASK, FENDER

990 SUPER DUKE WHITE EU 2009



| FIG | PART NUMBER | DESCRIPTION | QTY |
|-----|----------------|----------------------------------|-----|
| 1 | 61108001000 | HEAD LIGHT MASK LEFT 07 | 1 |
| 2 | 61108002000 | HEAD LIGHT MASK RIGHT 07 | 1 |
| 3 | 0016050253 | SCREW FOR PLASTIC 03 | 1 |
| 4 | 61103088000 | EXPANDING RIVET PA6 BLACK 1 | 1 |
| 5 | 60013057000 | BOLT F. LINK FORK 8X20X16,5 2 | 2 |
| 6 | 60013058000 | SECURING CLIP D=8MM 03 | 2 |
| 7 | 58708002000 | HINGE JOINT BOTTOM 99 | 1 |
| 8 | 31008060000 | RUBBER SLEEVE D=8MM OPEN 2 | 2 |
| 9 | 0025060456 | HH COLLAR SCREW M6X45 TX30 2 | 2 |
| 10 | 6110800300074A | MASK SPOILER L/S ORANGE 07 | 1 |
| 11 | 6110800400074A | MASK SPOILER R/S ORANGE 07 | 1 |
| 12 | 0016050121 | SCREW FOR PLASTIC 50X12 5 | 5 |
| 13 | 54603048300 | RANGE CHANGE METAL NUT M6 INOX 1 | 1 |
| 14 | 0738060121 | OVAL HEAD SCREW ISK. ISO7380 1 | 1 |
| 15 | 61003094000 | SPLASH PROTECT. FRAME HEAD 05 1 | 1 |
| 16 | 50235033300 | SNAP-NUT HOLDER M6 KP142 1 | 1 |
| 17 | 0024060156 | HH COLLAR SCREW M6X15 TX30 1 | 1 |
| 18 | 61111020050 | BRACKET STARTER 07 1 | 1 |
| 19 | 61108005000 | SPEEDOMETER BRACKET 07 1 | 1 |
| 20 | 61108065000 | WIND SHIELD 07 1 | 1 |
| 21 | 60008008050 | BLIND PLUG-IN NUT M5 WN 16A 03 4 | 4 |
| 22 | 60008046000 | SPECIAL WASHER D=12MM 03 4 | 4 |
| 23 | 0991050204 | FLAT HEAD SCREW DIN7991-M 5X20 4 | 4 |
| 24 | 61108019044 | REAR BASE CPL. 07 1 | 1 |
| 25 | 61008021200 | THER. PROTECT. FOIL FRONT 07 1 | 1 |
| 26 | 61008021300 | THERM.PROTECT. FOIL REAR 07 1 | 1 |
| 27 | 0024060156 | HH COLLAR SCREW M6X15 TX30 10 | 10 |
| 28 | 61008015000 | NUMB.PLATE CARRIER 05 1 | 1 |
| 29 | 61008014000 | SPLASH PROTECT. 05 1 | 1 |
| 30 | 0025060166 | HH COLLAR SCREW M6X16 TX30 4 | 4 |
| 31 | 72210079000 | BUCKET 2 | 2 |
| 33 | 6100804100074A | REAR END TOP PART L/S ORG. 07 1 | 1 |
| 34 | 6100804200074A | REAR END TOP PART R/S ORG. 07 1 | 1 |
| 35 | 61008041150 | THERMAL PROT. FOIL L/S 07 1 | 1 |
| 36 | 61008042150 | THERMAL PROT.FOIL R/S 07 1 | 1 |
| 37 | 50308053000 | BUSH FOR SPOILER 6X11X16X7,5 2 | 2 |

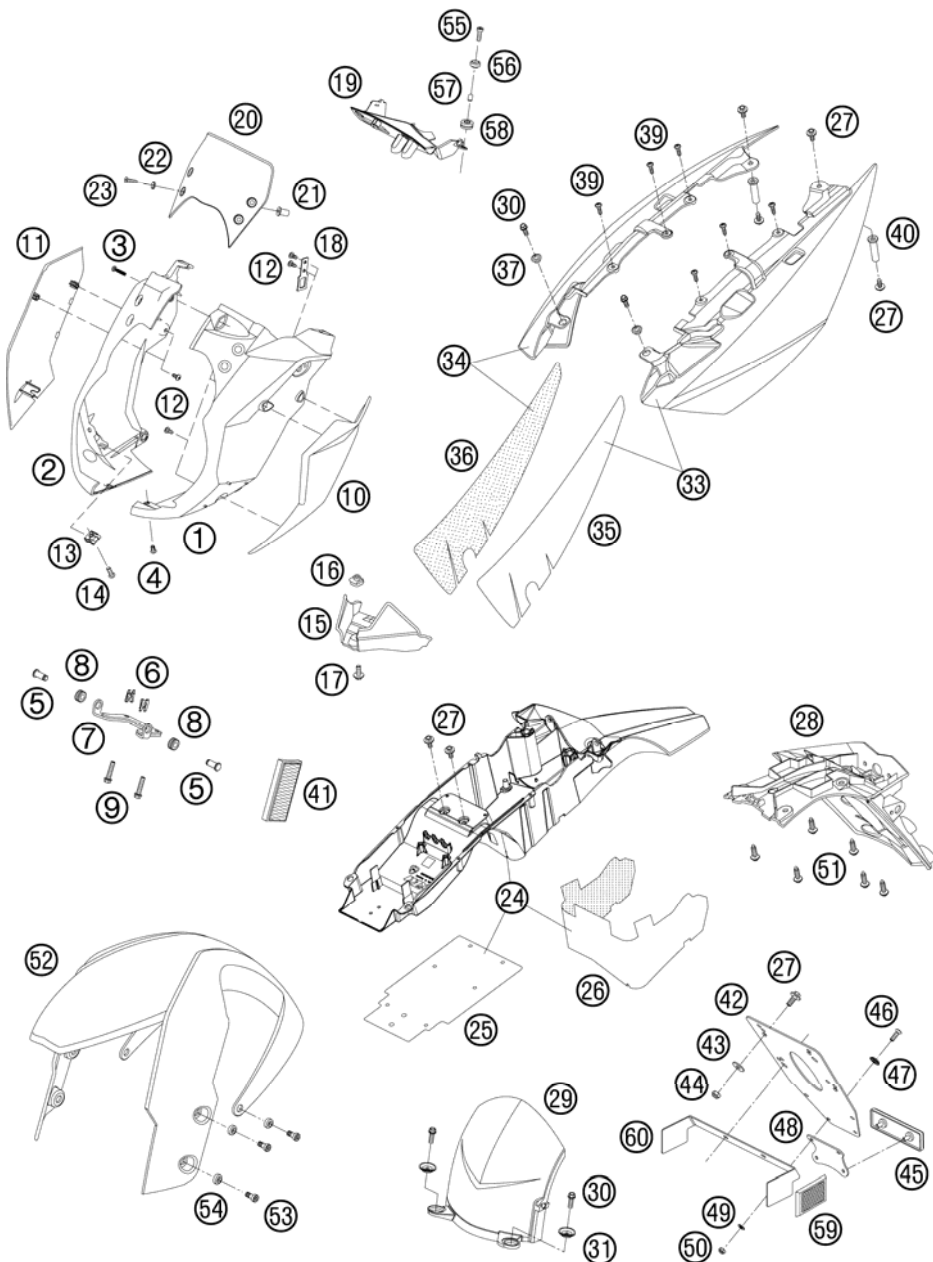
086110810 / C096110810

* NEW PART

X AS REQUIRED

MASK, FENDER

990 SUPER DUKE WHITE EU 2009

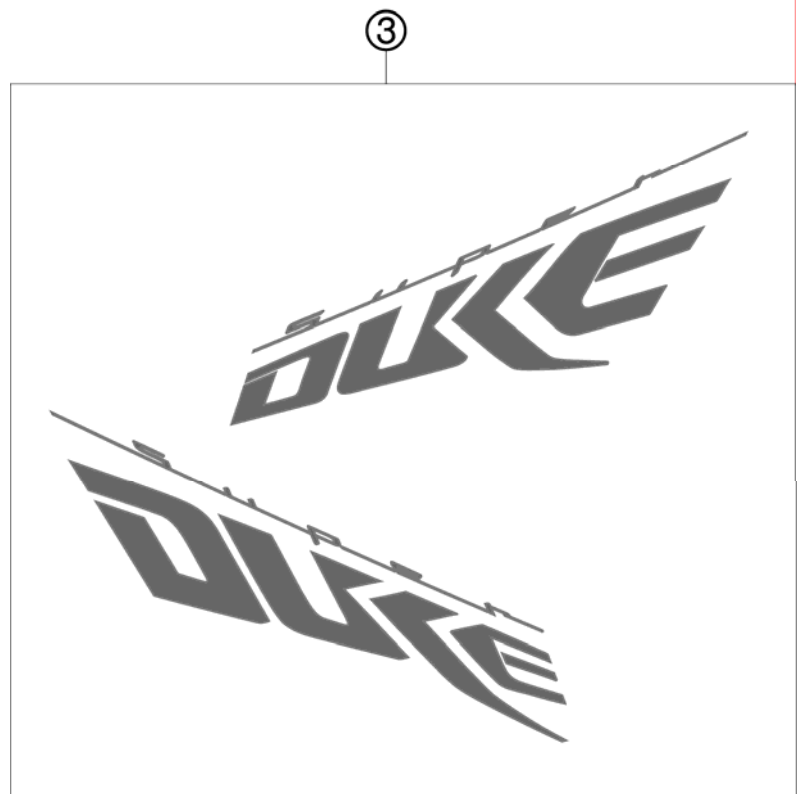
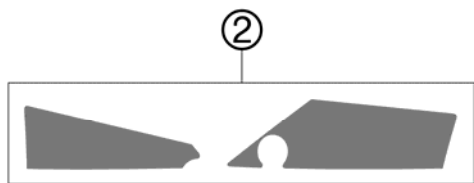
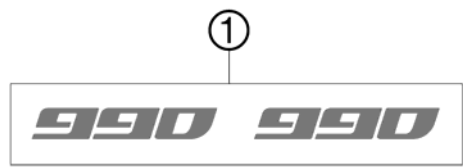


| FIG | PART NUMBER | DESCRIPTION | QTY |
|-----|---------------|---|-----|
| 39 | 0081500181 | SCREW FOR PLASTIC D=5X18 | 6 |
| 40 | 61008019050 | SPECIAL NUT FOR REAR END 05 | 2 |
| 41 | 58412080100 | REFLECTOR YELLOW '99 ONLY FOR AUS+USA | 2 |
| 42 | 60012081200 | LICENCE FITTING 06 | 1 |
| 43 | 0021060003 | WASHER DIN9021-A 6,4 | 4 |
| 44 | 0985060003 | SELF LOCK. NUT DIN0985-M 6 | 4 |
| 45 | 58412080000 | REFLECTOR RED LC4 '98 | 1 |
| 46 | 0966050163 | OVAL HEAD SCREW DIN0966-M 5X16 | 2 |
| 47 | 40006006000 | WASHER 6MM | 2 |
| 48 | 58412080050 | BRACKET FOR REFLECTOR | 1 |
| 49 | 0125050003 | WASHER DIN0125-A 5,3 | 2 |
| 50 | 0985050003 | SELF LOCKING NUT DIN0985-M 5 | 2 |
| 51 | 0017060203 | EJOT PT SCREW K6X20 WS=6 | 4 |
| 52 | 6110801000030 | FRONT FENDER BLACK 07 | 1 |
| 53 | 0012060164 | AH SCREW DIN6912 M6X16 SL | 6 |
| 54 | 61108045000 | SPECIAL WASHER | 6 |
| 55 | 0984060252 | AH SCREW DIN6912 M6X25 | 2 |
| 56 | 60008045000 | SPECIAL WASHER D=16,5MM 03 | 2 |
| 57 | 61108006100 | COLLAR BUSHING 6,2X7,5X12,5 | 2 |
| 58 | 58214069051 | RUBBER GROMMET 16X10,8X3 02 | 2 |
| 59 | 16512180100 | SIDE REFLECTOR RED REAR ONLY FOR USA | 2 |
| 60 | 62512081000 | BRACKET SIDE REFLECTOR 06 ONLY FOR USA | 1 |

086110810 / C096110810

* NEW PART

X AS REQUIRED



| FIG | PART NUMBER | DESCRIPTION | QTY |
|-----|-------------|-------------------------------|-----|
| 1 | 61008099200 | DISPLACEME. STICKER 08 | 1 |
| 2 | 61008096500 | STICKER FRONTSPOILER WHITE 08 | 1 |
| 3 | 61108098300 | STICKER SPOILER 08 | 1 |

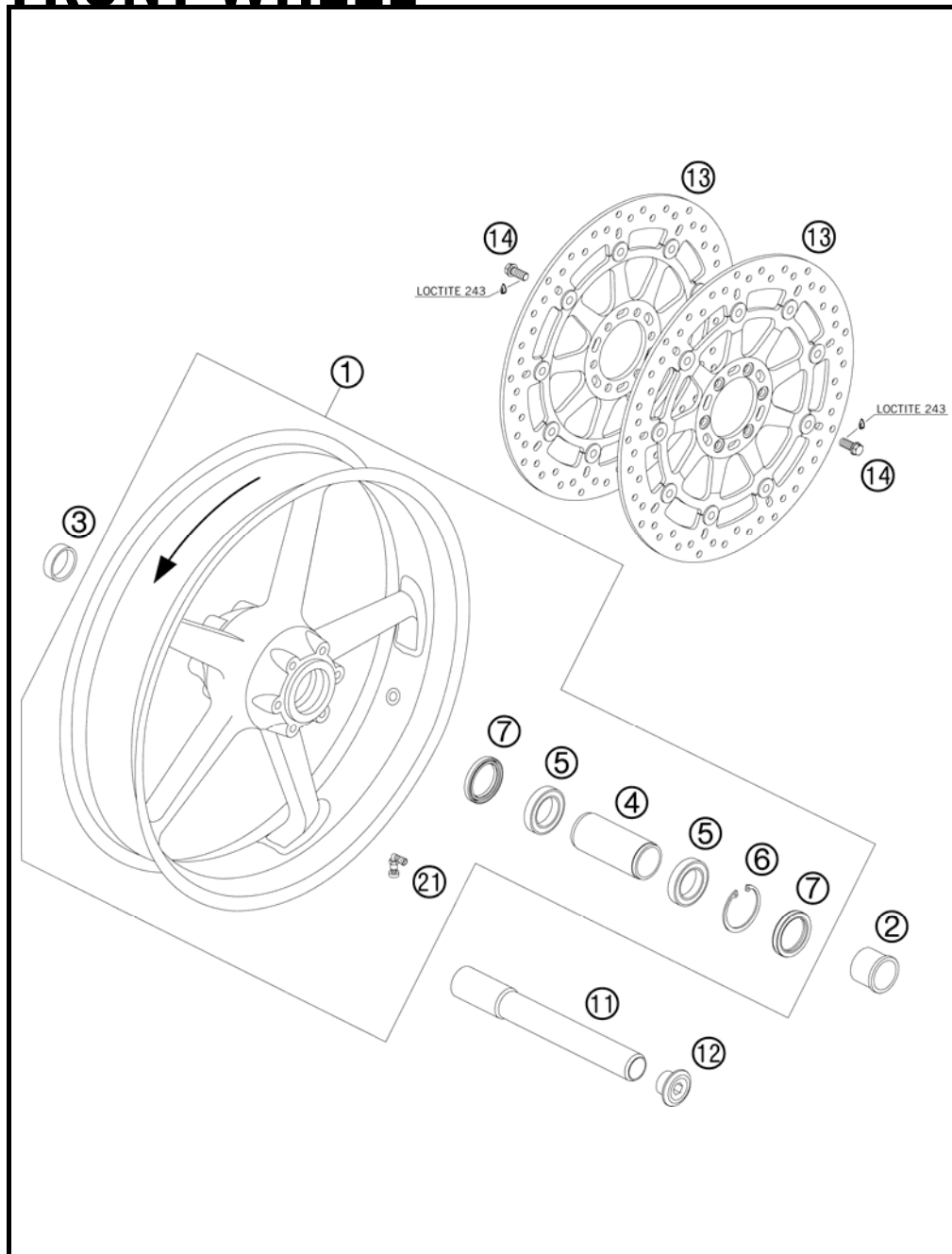
086110833 / C096110833

* NEW PART

X AS REQUIRED

FRONT WHEEL

990 SUPER DUKE WHITE EU 2009



| FIG | PART NUMBER | DESCRIPTION | QTY |
|-----|---------------|--------------------------------|-----|
| 1 | 6100900104430 | FRONT WHEEL CPL. BLACK 07 | 1 |
| 2 | 61009012000 | SPACER BUSH. FR. WHEEL L/S 05 | 1 |
| 3 | 60009013000 | SPACER BUSH. FR. WHEEL R/S 03 | 1 |
| 4 | 61009011000 | BEARING SPACER TUBE FRONT 05 | 1 |
| 5 | 0625069068 | GR.BALL BEAR.6906 DDU2CG23S6NM | 2 |
| 6 | 0472048175 | LOCK RING DINO472-48X1,75 | 1 |
| 7 | 0760354771 | SHAFT SEAL RING 35X47X7 TC | 2 |
| 11 | 61009081000 | WHEEL SPINDEL FRONT 05 | 1 |
| 12 | 61009082000 | AH SCREW M25X1,5 WS=12 05 | 1 |
| 13 | 61009060000 | BRAKE DISK FRONT 320MM 05 | 2 |
| 14 | 61009062018 | SPECIAL SCREW M8X18 05 | 12 |
| 21 | 61009076000 | VALVE ANGLED 90° 05 | 1 |

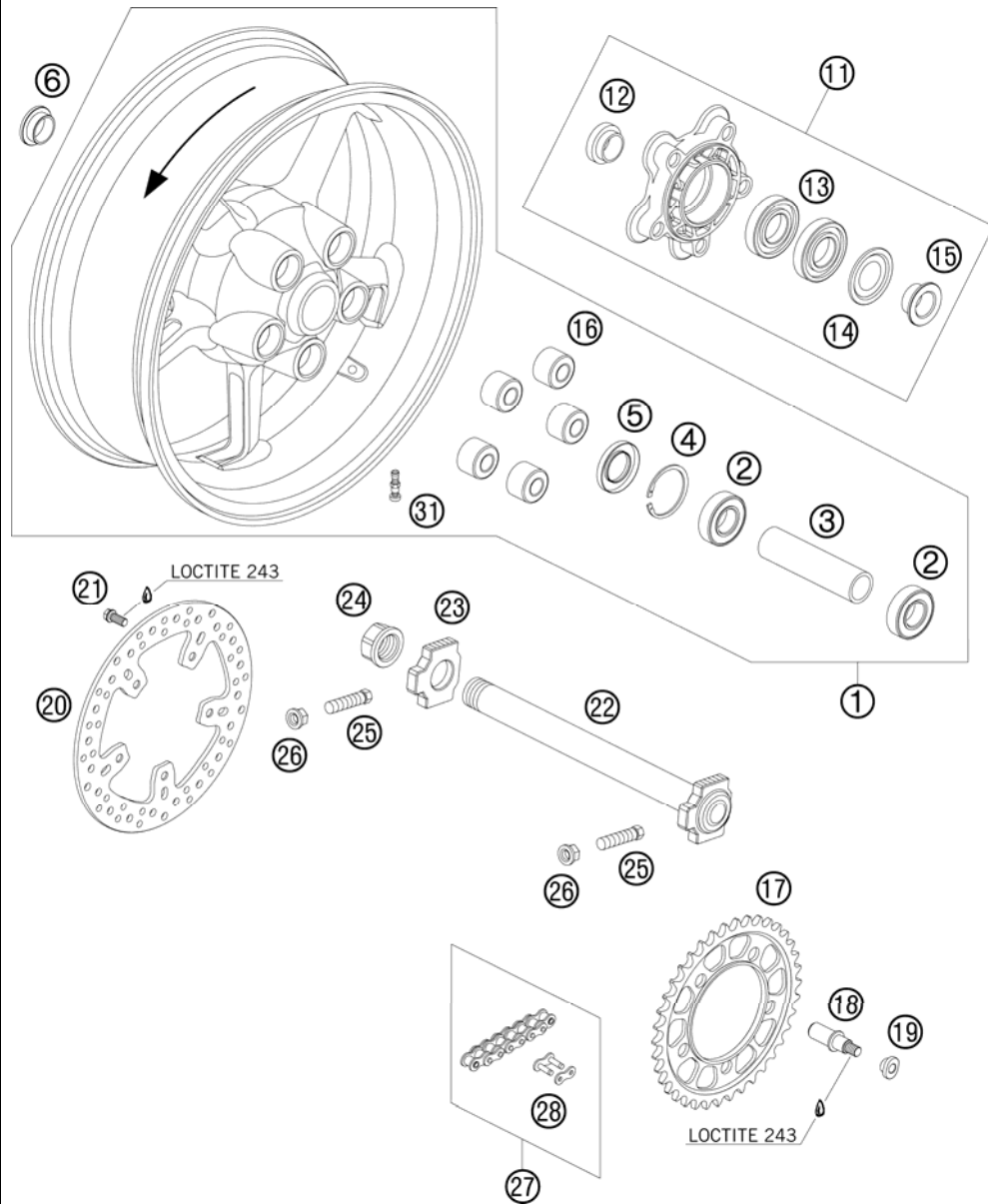
086110910 / C096110910

* NEW PART

X AS REQUIRED

REAR WHEEL

990 SUPER DUKE WHITE EU 2009



| FIG | PART NUMBER | DESCRIPTION | QTY |
|-----|---------------|---|-----|
| 1 | 6101000104430 | REAR WHEEL CPL. BLACK 07 | 1 |
| 2 | 0625062052 | GR.BALL BEAR. 6205-2RSHC3HMTF7 | 2 |
| 3 | 61010011000 | BEARING SPACER TUBE REAR 05 | 1 |
| 4 | 0472052200 | CIRCLIP DIN0472-52X2 | 1 |
| 5 | 0760305271 | SHAFT SEAL RING 30X52X7 | 1 |
| 6 | 60010013000 | SPACER BUSH. REAR WHEEL R/S 03 | 1 |
| 11 | 61010050144 | SPROCKET SUPPORT CPL. 06 | 1 |
| 12 | 60110014000 | SPACER BUSH. SPR. SUPP. IN. 06 | 1 |
| 13 | 0625060060 | BALL BEARING 6006 DDU2CG23S6NM | 2 |
| 14 | 60110016000 | NILOS RING 6006AV | 1 |
| 15 | 60110012000 | SPACER BUSH. SPROCKET SUPP. 06 | 1 |
| 16 | 61010059000 | DAMPING RUBBER 05 | 5 |
| 17 | 61010051138 | REAR SPROCKET 38-T STEEL 05 | 1 |
| 17 | 61010051139 | REAR SPROCKET 39-T STEEL 05 | x |
| 17 | 61010051140 | REAR SPROCKET 40-T STEEL 05 | x |
| 18 | 61010056000 | BOLT FOR SPROCKET SUPPORT 05 | 5 |
| 19 | 61010057000 | NUT REAR SPROCKET 05 | 5 |
| 20 | 61010060000 | BRAKE DISK REAR D=240MM 05 | 1 |
| 21 | 61009062018 | SPECIAL SCREW M8X18 05 | 5 |
| 22 | 60010081044 | WHEEL SPINDLE REAR CPL. 03 | 1 |
| 23 | 60010084000 | CHAIN TENSIONER R/S LC8 03 | 1 |
| 24 | 61010086000 | COLLAR NUT M25X1,5 WS=32 05 | 1 |
| 25 | 50304040100 | SCREW M10X1,25X50 WS=10 | 2 |
| 26 | 58414030000 | HH COLLAR NUT M10X1,25 WS=13 | 2 |
| 27 | 60010365118 | CHAIN 525 INCL. MASTER LINK CUT TO 110 CHAIN LINKS | 1 |
| 28 | 60010266000 | MASTER LINK FOR CHAIN 525 07 NEEDS RIVET TOOL | x |
| 31 | 58709076000 | VALVE CPL. BREMBO DUKE 2003 | 1 |

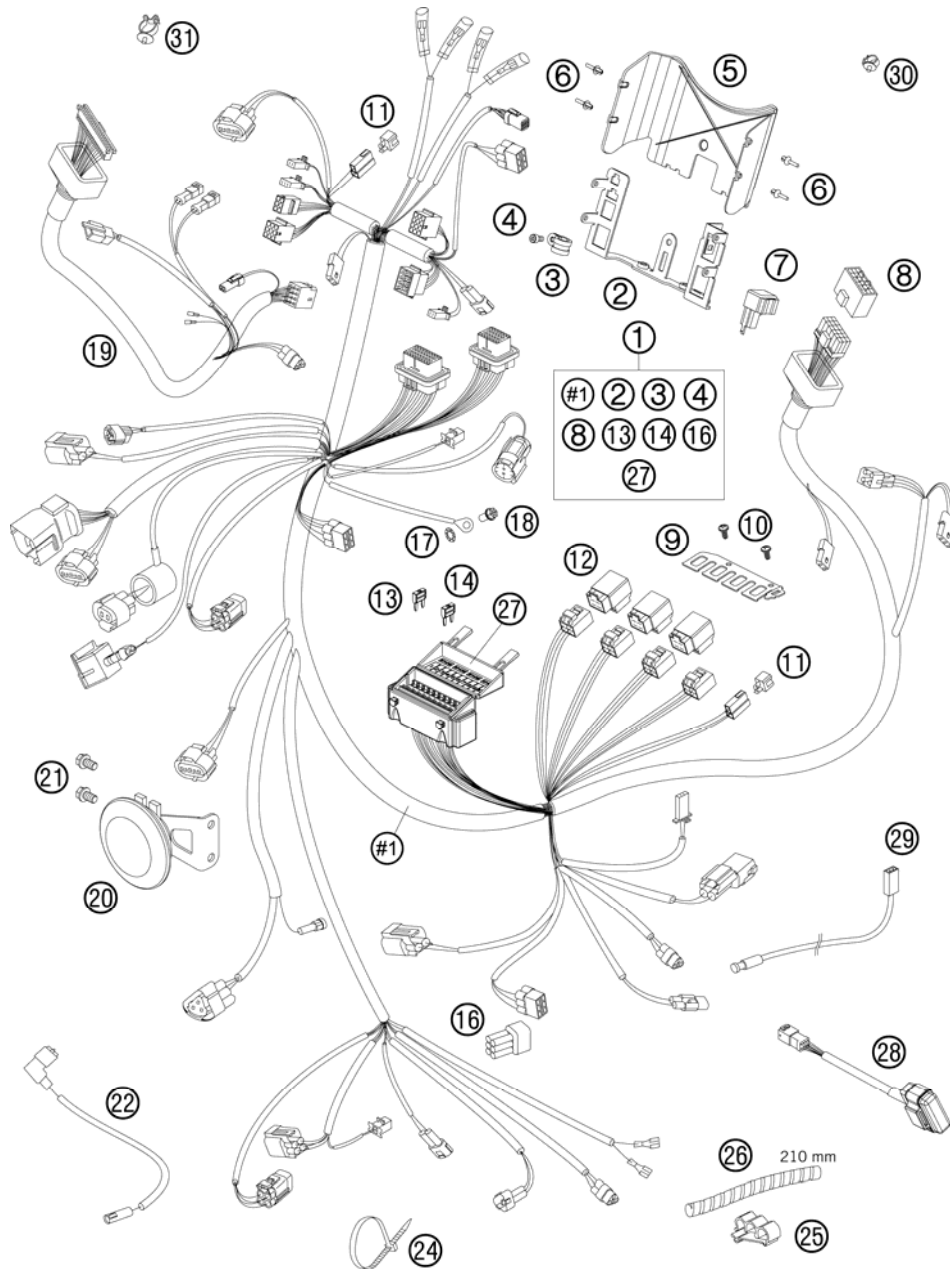
086111010 / C096111010

* NEW PART

X AS REQUIRED

WIRING HARNESS

990 SUPER DUKE WHITE EU 2009



| FIG | PART NUMBER | DESCRIPTION | QTY |
|-----|-------------|--------------------------------|-----|
| 1 | 61111075133 | WIRING HARNESS FRONT 990 SD 07 | 1 |
| 2 | 61011083000 | BRACKET FOR PLUGS CPL. 05 | 1 |
| 3 | 49007439000 | CLAMP RSGU 15/12 | 1 |
| 4 | 0912050103 | AH SCREW DIN0912-M 5X10 | 1 |
| 5 | 61011083020 | BRACKET FOR PLUGS COVER 05 | 1 |
| 6 | 60003088000 | PLASTIC CAP FOR M6 03 | 4 |
| 7 | 44611207200 | FLASHER UNIT 97 | 1 |
| 8 | 61011075020 | DUMMY PLUG ALARM SYSTEM 05 | 1 |
| 9 | 61111057050 | BRACKET RELAY 07 | 1 |
| 10 | 0016050121 | SCREW FOR PLASTIC 50X12 | 2 |
| 11 | 58411096100 | DIODE S3H-15 97 | 2 |
| 12 | 61111057000 | RELAY CM1A-R-12V-H80 07 | 3 |
| 13 | 75011088010 | FUSE 10A 07 | x |
| 14 | 75011088015 | FUSE 15A 07 | x |
| 16 | 000700000BH | SPARE CONNECTOR BH 6-PINS | 1 |
| | | DIAGNOSTIC PORT | |
| 17* | 58411098100 | CONTACT WASHER M6 VSV-K6 | 1 |
| 18* | 0025060126 | HH COLLAR SCREW M6X12 TX30 | 1 |
| 19 | 61111079000 | WIRING HARNESS FRONT 07 | 1 |
| 20 | 61011060000 | DC HORN CPL. 05 | 1 |
| 21 | 0025060106 | HH COLLAR SCREW M6X10 TX30 | 2 |
| 22 | 60011092000 | OIL-PRESSURE SWITCH CABLE 03 | 1 |
| 24 | 44011076100 | CABLE TIE 100/2,5MM BLACK | x |
| 24 | 44011076200 | CABLE TIE 200/3,6MM BLACK | x |
| 24 | 44011076305 | CABLE TIE 300/4,8MM BLACK | x |
| 25 | 61011093000 | WIRING HOLDER 05 | 1 |
| 26 | 58513001000 | SPIRAL HOSE D=9MM PER METER | x |
| 27 | 75011087050 | RUBBER CASING FOR FUSE BOX | 1 |
| 28 | 61111020000 | STARTER INTERLOCK | 1 |
| 29 | 61111018000 | TEMPERATURE SENSOR 07 | 1 |
| 30 | 58111076000 | CABLE SUPPORT KHS NR.150-47610 | x |
| 31 | 61111041000 | CABLE SUPPORT 07 | x |

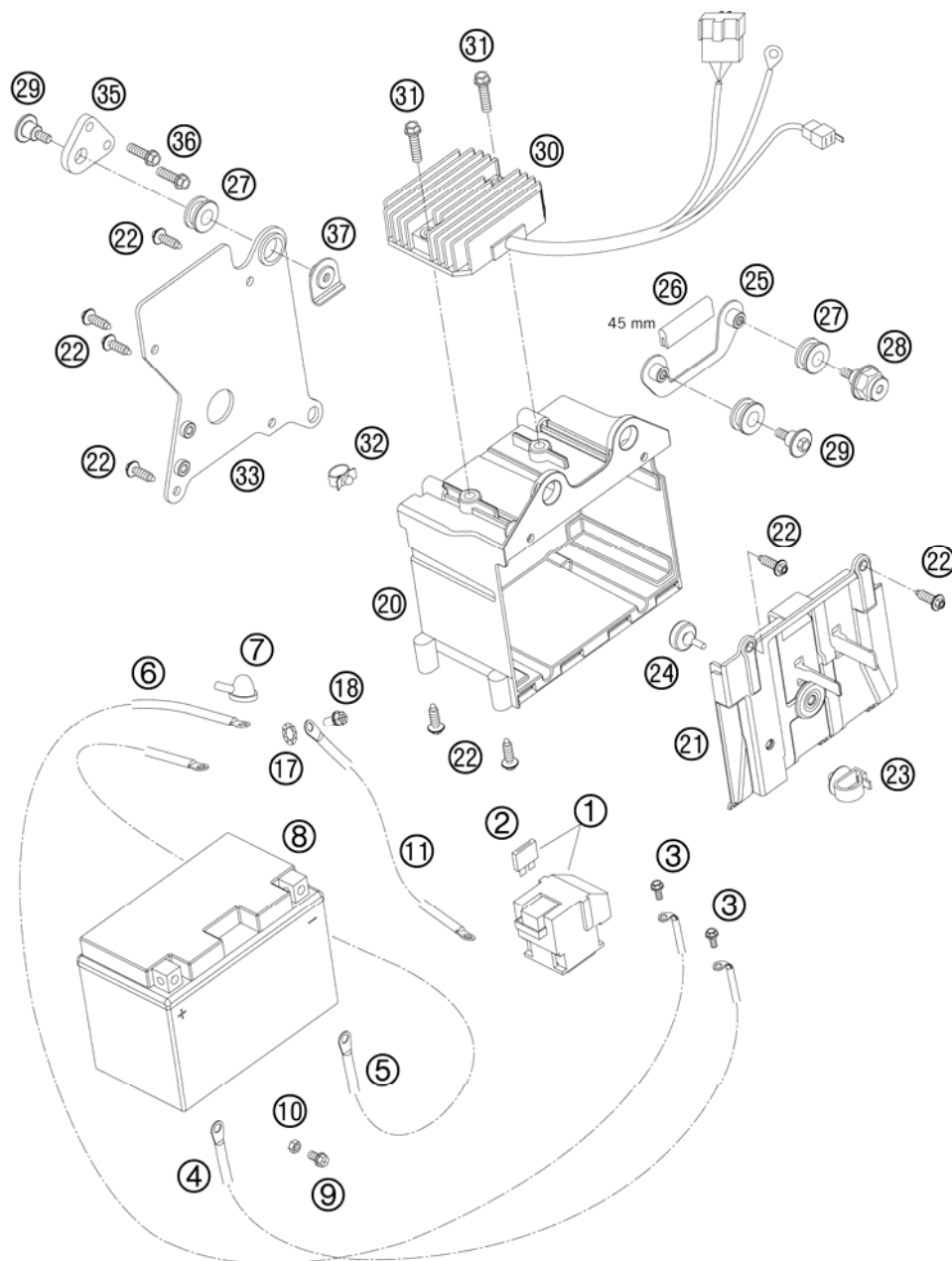
096111110 / C096111110

* NEW PART

X AS REQUIRED

BATTERY BOX

990 SUPER DUKE WHITE EU 2009



| FIG | PART NUMBER | DESCRIPTION | QTY |
|-----|-------------|--------------------------------|-----|
| 1 | 60011058000 | STARTER RELAY 03 | 1 |
| 2 | 58011109130 | FUSE 30 A | x |
| 3 | 0902060083 | AH OVAL SCREW ISO 7380 M 6X8 | 2 |
| 4 | 61011059050 | BATTERY CABLE L=230MM | 05 |
| 5 | 61011097000 | GROUND CABLE L=450MM | 05 |
| 6 | 61011059000 | STARTERCABLE L=820 MM | 1 |
| 7 | 60040009000 | RUBBER CAP STARTER PORT | 03 |
| 8 | 60011053000 | BATTERY 12V/11AH | 03 |
| 9 | 0024060106 | HH COLLAR SCREW M6X10 TX30 | 1 |
| 10 | 0934060003 | HEXAGON NUT DIN0934-M 6 | 2 |
| 11 | 61111097000 | GROUND CABLE | 07 |
| 17* | 58411098100 | CONTACT WASHER M6 VSV-K6 | 1 |
| 18* | 0025060126 | HH COLLAR SCREW M6X12 TX30 | 1 |
| 20 | 61011054000 | BATTERY BOX | 05 |
| 21 | 61011054006 | BATTERY BOX COVER | 05 |
| 22 | 0017060203 | EJOT PT SCREW K6X20 WS=6 | 8 |
| 23 | 58111076000 | CABLE SUPPORT KHS NR.150-47610 | 1 |
| 24 | 60006001021 | DISTANCE RUBBER AIRBOX | 03 |
| 25 | 61011055033 | ANTI-ROT. ELEMENT DUAL CPL. | 05 |
| 26 | 58312085100 | EDGE PROTECTOR PER METER | x |
| 27 | 60003098000 | RUBBER SLEEVE | 03 |
| 28 | 61011055050 | SPECIAL SCREW M6 WS19 | 05 |
| 29 | 60035001000 | SPECIAL SCREW M6X21 WS=8 | 2 |
| 30 | 60011034100 | VOLTAGE REGULATOR | 1 |
| 31 | 0025060306 | HH COLLAR SCREW M6X30 TX30 | 2 |
| 32 | 57013072100 | WIRING HOLDER 16MM | 1 |
| 33 | 61011057033 | BATTERY BOX SUPPORT R/S CPL. | 1 |
| 35 | 61011056020 | BATTERY SUPPORT | 05 |
| 36 | 0025060206 | HH COLLAR SCREW M6X20 TX30 | 2 |
| 37 | 61011056033 | ANTI-ROTATION ELEMENT CPL. | 05 |

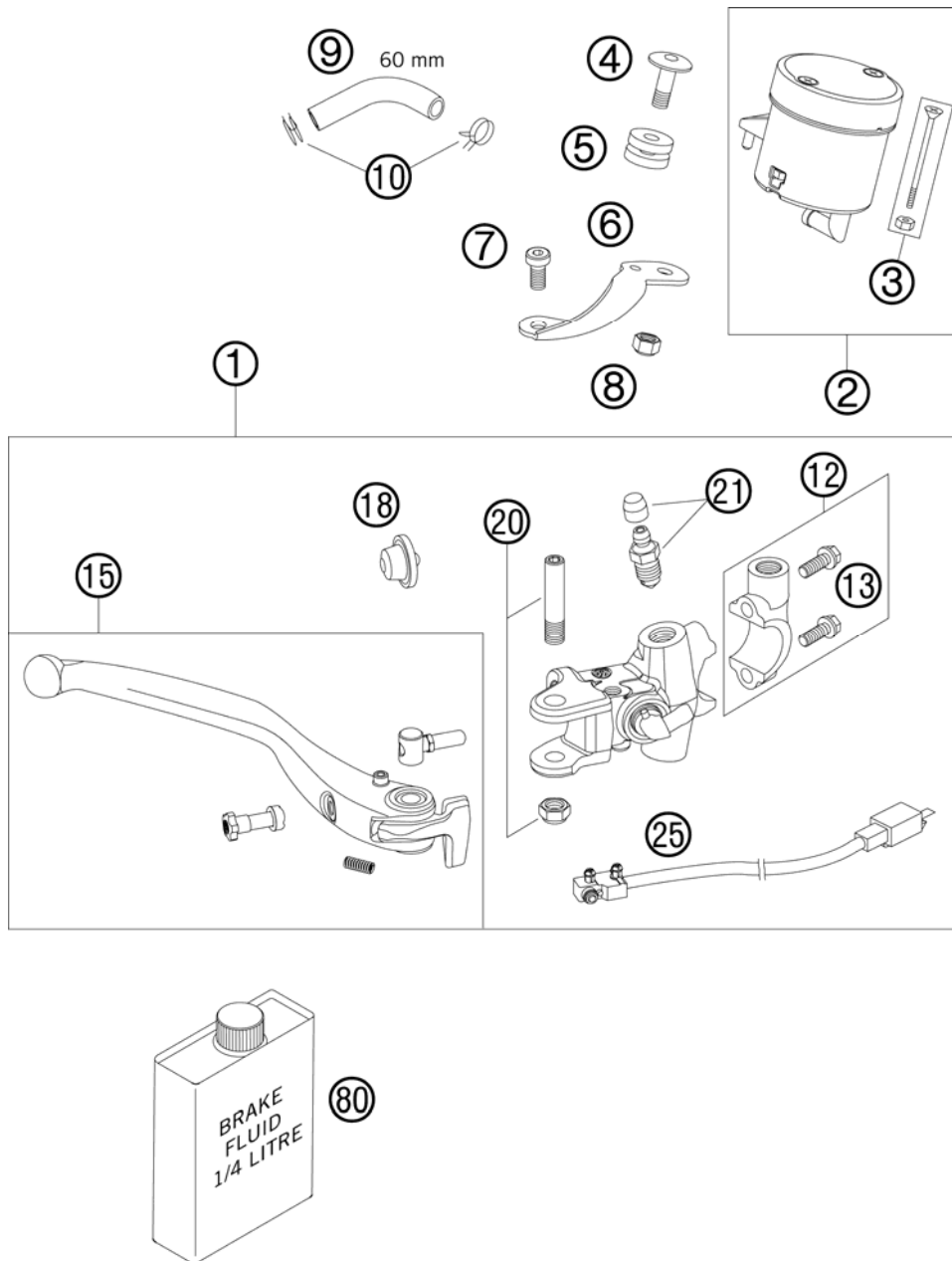
096111130 / C096111130

* NEW PART

X AS REQUIRED

HAND BRAKE CYLINDER

990 SUPER DUKE WHITE EU 2009



| FIG | PART NUMBER | DESCRIPTION | QTY |
|-----|-------------|--------------------------------|-----|
| 1 | 61013001000 | HAND BRAKE CYLINDER 05 | 1 |
| 2 | 61013009002 | BRAKE FLUID RESERVOIR CPL. | 1 |
| 3 | 61013009003 | SCREW + NUT FOR RESERVOIR | 2 |
| 4 | 61013013050 | SCREW RET.PANEL-RESERVOIR | 1 |
| 5 | 61013013000 | RUBBER BUSH 05 | 1 |
| 6 | 61013009001 | RET.PANEL FLUID RES. FRONT 05 | 1 |
| 7 | 61013021000 | SCREW RET.PANEL-BRAKE CYLINDER | 1 |
| 8 | 61013009004 | NUT FOR RESERVOIR | 1 |
| 9 | 58007016101 | HOSE FOR RESERVOIR 6X1,5 | 1 |
| 10 | 58007017000 | YDNAC CLAMP 10101 (9MM) | 2 |
| 12 | 61013005000 | CLAMP CPL. 05 | 1 |
| 13 | 0025060256 | HH COLLAR SCREW M6X25 TX30 | 2 |
| 15 | 61013002044 | HAND BRAKE LEVER 05 | 1 |
| 18 | 61013008000 | RUBBER CUP 05 | 1 |
| 20 | 61013006000 | LEVER SCREW CPL. 05 | 1 |
| 21 | 60013020000 | BLEEDER SCREW WITH CAP | 1 |
| 25 | 61011050000 | BRAKE LIGHT SWITCH FRONT 05 | 1 |
| 80 | 00062030000 | BRAKE FLUID DOT5.1 0,25L | 1 |

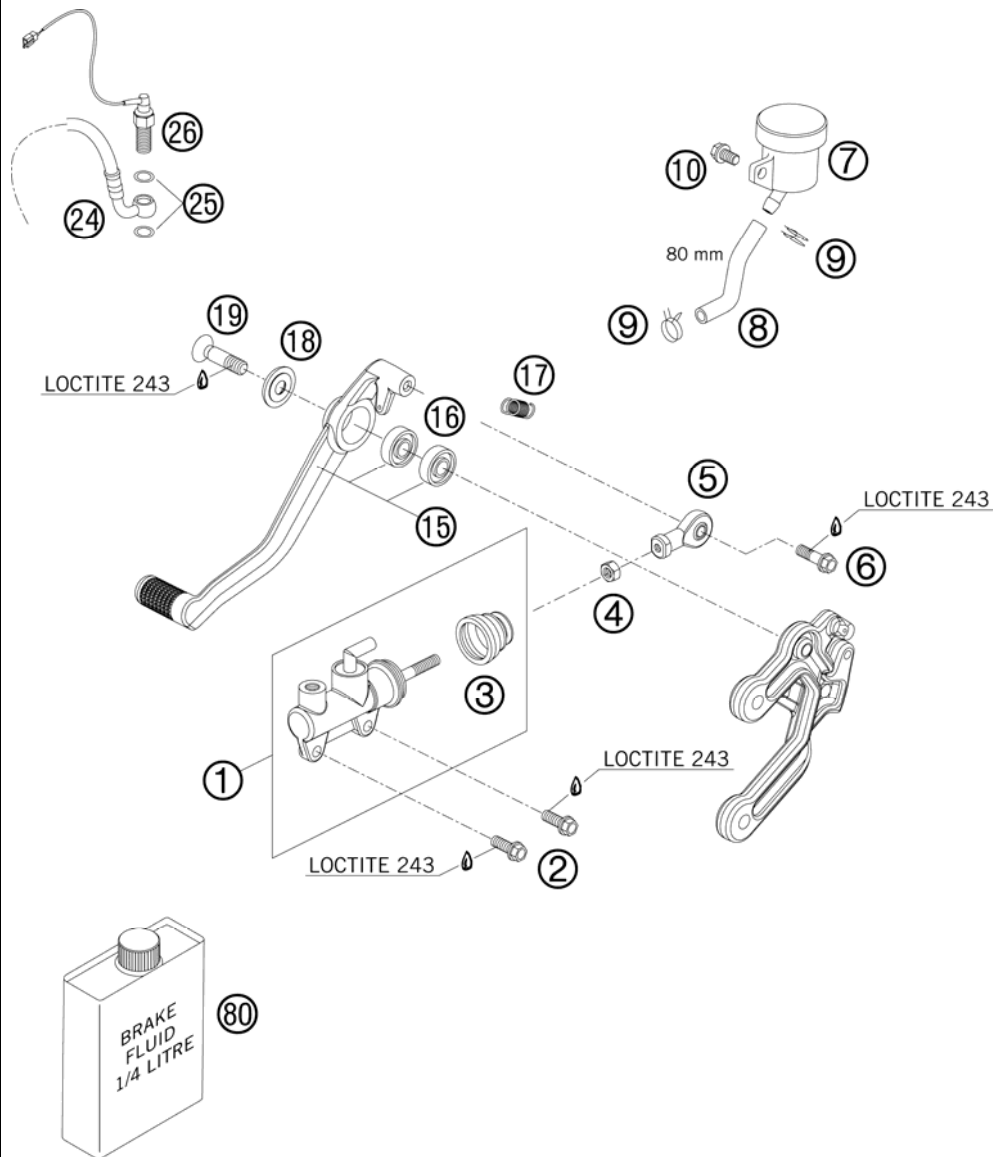
086111310 / C096111310

* NEW PART

X AS REQUIRED

REAR BRAKE CONTROL

990 SUPER DUKE WHITE EU 2009



| FIG | PART NUMBER | DESCRIPTION | QTY |
|-----|----------------|--------------------------------|-----|
| 1 | 61013060000 | MAIN BRAKE CYLINDER 05 | 1 |
| 2 | 59009062016 | SPECIAL SCREW M6X16 WS=8 10.9 | 2 |
| 3 | 61013064000 | CUP FOR MAIN BRAKE CYLINDER | 1 |
| 4 | 0934060003 | HEXAGON NUT DIN0934-M 6 | 1 |
| 5 | 54603069000 | SWIVEL HEAD M6 FOOT BRAKE LEV. | 1 |
| 6 | 59009062019 | SPECIAL SCREW M6X19 WS=8 10.9 | 1 |
| 7 | 61013069000 | RESERVOIR REAR CPL. 05 | 1 |
| 8 | 58007016101 | HOSE FOR RESERVOIR 6X1,5 | 1 |
| 9 | 58007017000 | YDNAC CLAMP 10101 (9MM) | 2 |
| 10 | 0025060106 | HH COLLAR SCREW M6X10 TX30 | 1 |
| 15 | 6101305004401S | FOOT BRAKE LEVER CPL. 07 | 1 |
| 16 | 0625006087 | GROOVED BALL BEAR. 608 2RS C3 | 2 |
| 17 | 61013052000 | SPRING FOOT BRAKE LEVER 05 | 1 |
| 18 | 58303061100 | SPECIAL WASHER ALU 8X24 MM ELO | 1 |
| 19 | 61013059000 | FLAT HEAD SCREW M8X32 SL 05 | 1 |
| 24 | 61013072000 | BRAKE PIPE REAR 05 | 1 |
| 25 | 0603100141 | COPPER GASKET DIN7603-10X14X1 | 2 |
| 26 | 61011051000 | BRAKE LIGHT SWITCH REAR 05 | 1 |
| 80 | 00062030000 | BRAKE FLUID DOT5.1 0,25L | 1 |

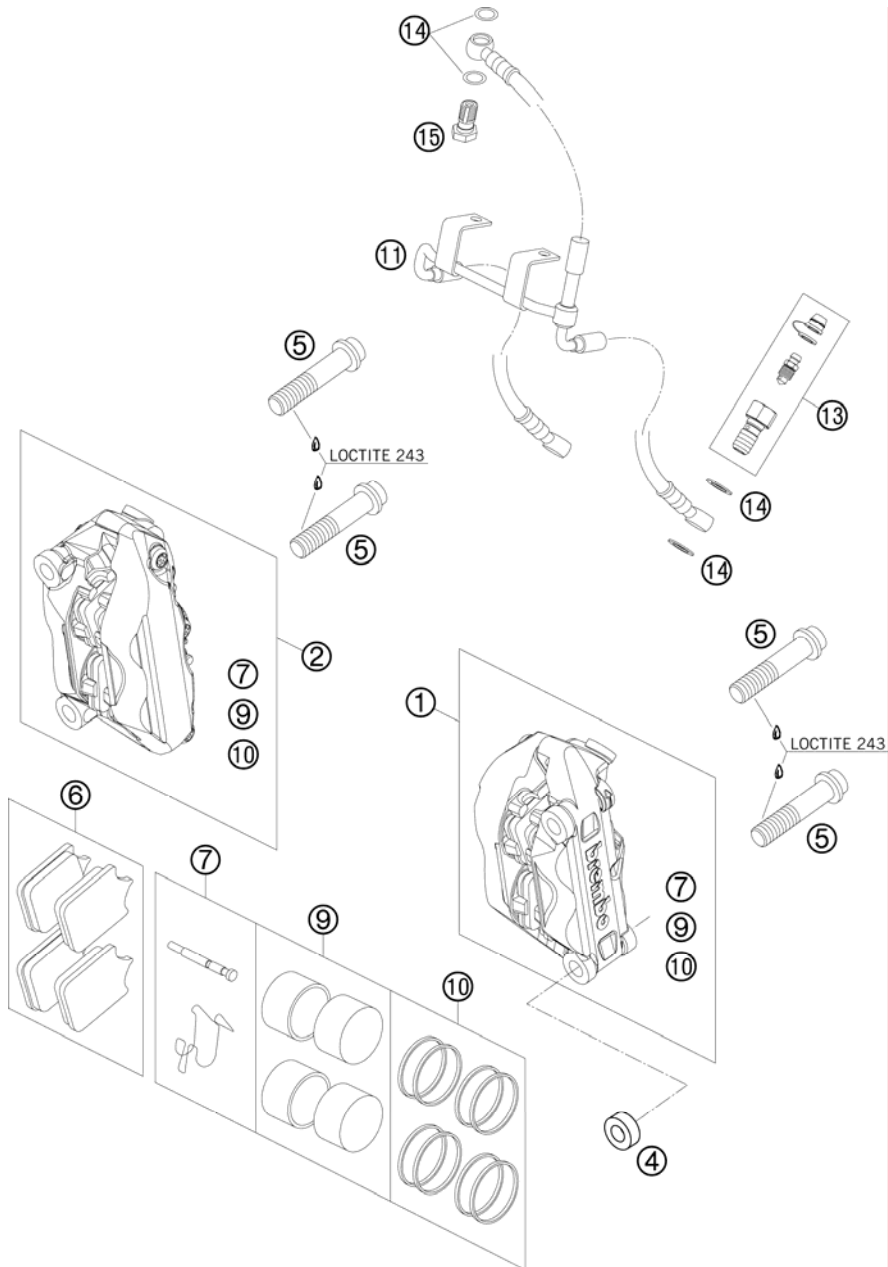
086111330 / C096111330

* NEW PART

X AS REQUIRED

BRAKE CALIPER FRONT

990 SUPER DUKE WHITE EU 2009



| FIG | PART NUMBER | DESCRIPTION | QTY |
|-----|---------------|--------------------------------|-----|
| 1 | 6251301500101 | CALIPER L/S NAT. WITHOUT PADS | 1 |
| 2 | 6251301600101 | CALIPER R/S NAT. WITHOUT PADS | 1 |
| 4 | 6111302200001 | SPACER BUSH 10,1X20X7,5 07 | 4 |
| 5 | 0035100659 | AH-COLLAR SCREW M10X1,25X65 | 4 |
| 6 | 61013030000 | BRAKE PAD FR. TOSHIBA TT2172HH | x |
| 6 | 61013030100 | BRAKE PAD FR. HAWK 7342-49 | 2 |
| 7 | 61013018000 | PINS + SPRINGS F. BRAKECALIPER | 2 |
| 9 | 61013019000 | BRAKE PISTONS 4X | 2 |
| 10 | 61013019100 | REP.KIT SEALING RINGS 4X | 2 |
| 11 | 61113012000 | FRONT BRAKING HOSE CPL. | 1 |
| 13 | 62513020000 | BLEEDER SCREW CPL. 05 | 2 |
| 14 | 0603100141 | COPPER GASKET DIN7603-10X14X1 | 6 |
| 15 | 54813020100 | HOLLOW SCREW BLACK M10X1X19 | 1 |

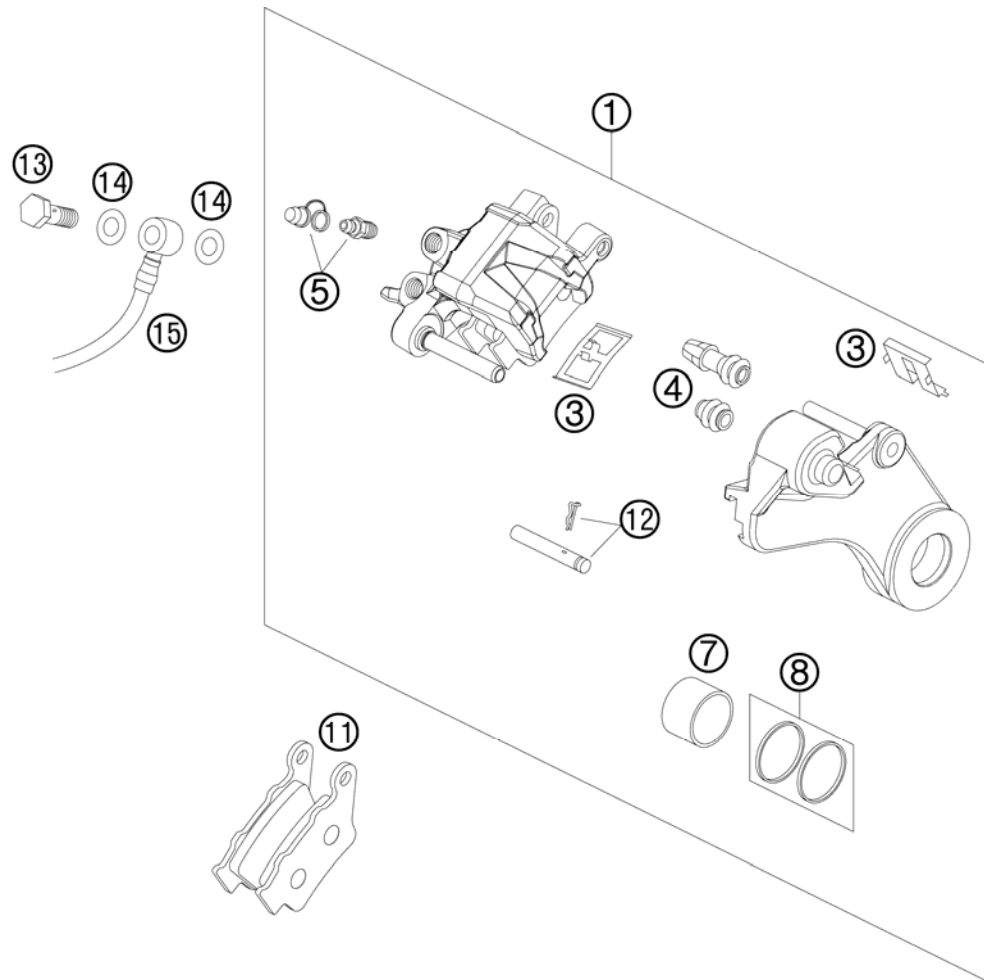
096111360 / C096111360

* NEW PART

X AS REQUIRED

BRAKE CALIPER REAR

990 SUPER DUKE WHITE EU 2009



| FIG | PART NUMBER | DESCRIPTION | QTY |
|-----|---------------|--------------------------------|-----|
| 1 | 7651308000101 | BRAKE CALIPER - WITHOUT PADS | 1 |
| 3 | 54613311200 | RETAINING SPRING SET | 1 |
| 4 | 54613218000 | CUP SET SHORT | 1 |
| 5 | 61013020200 | BLEEDER SCREW WITH CAP | 1 |
| 7 | 50313083000 | BRAKE PISTON 32MM | 1 |
| 8 | 50313081000 | REPAIR KIT SEALING RINGS 32MM | 1 |
| 11 | 50313090000 | BRAKE PAD REAR TOSHIBA TTH38GF | 1 |
| 12 | 61013082000 | BOLT SET 05 | 1 |
| 13 | 50213025000 | HOLLOW SCREW M10X1X19 | 1 |
| 14 | 0603100141 | COPPER GASKET DIN7603-10X14X1 | 2 |
| 15 | 61013072000 | BRAKE PIPE REAR 05 | 1 |

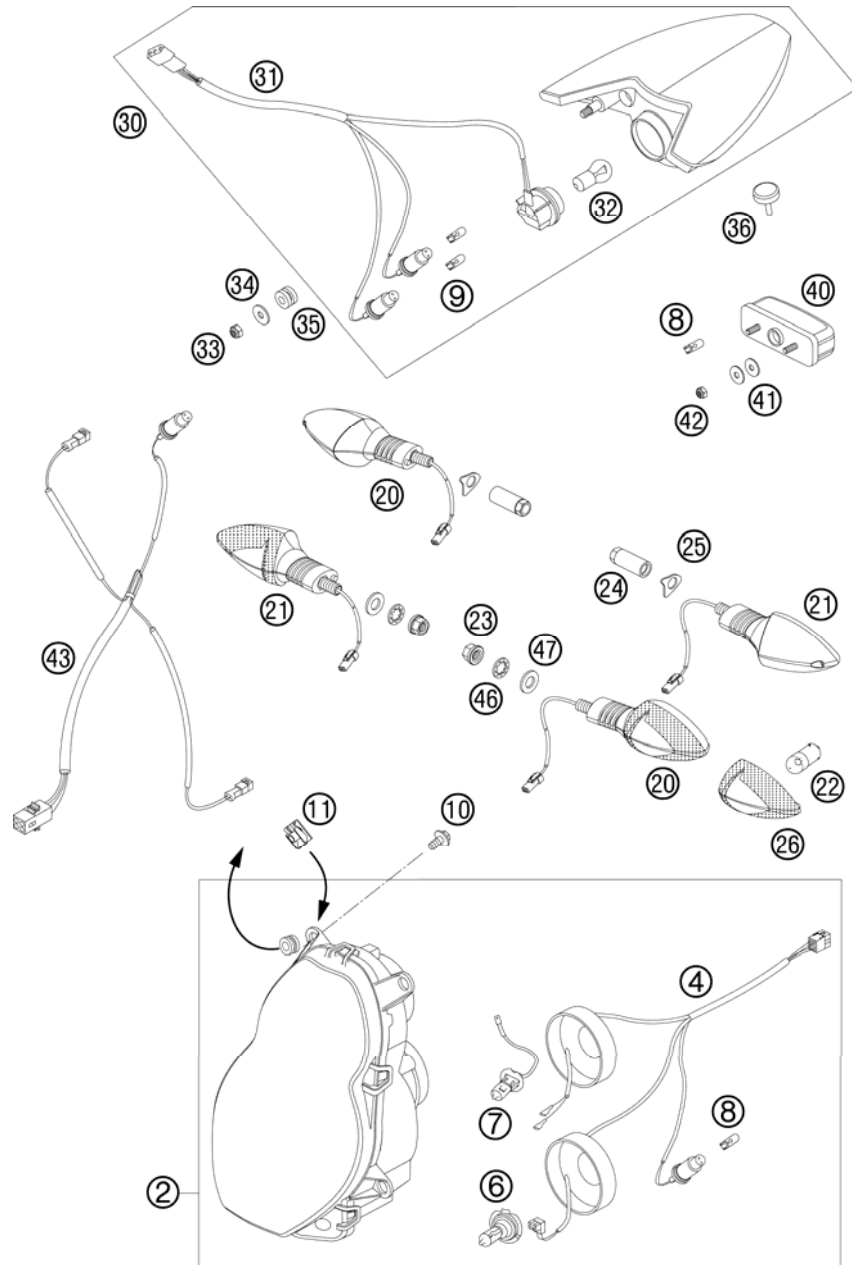
096111390 / C096111390

* NEW PART

X AS REQUIRED

LIGHTING SYSTEM

990 SUPER DUKE WHITE EU 2009



| FIG | PART NUMBER | DESCRIPTION | QTY |
|-----|-------------|--------------------------------|-----|
| 2 | 60014001000 | HEAD LIGHT RIGHT TR. EU 03 | 1 |
| 4 | 60014001050 | HEAD LIGHT WIRING HAR. EU/GB | 1 |
| 6 | 60014003100 | BULB H7 12V 55W | 1 |
| 7 | 60014003000 | BULB H3 12V 55W | 1 |
| 8 | 49011435100 | BULB 12V 5W (W2,1X9,5D) PHIL. | 2 |
| 9 | 49011435200 | BULB RED WR5W 12V | 2 |
| 10 | 0024060136 | HH COLLAR SCREW M6X13 TX30 | 4 |
| 11 | 54603048300 | RANGE CHANGE METAL NUT M6 INOX | 4 |
| 20 | 60114025000 | FLASHER CPL.FRONT L/S REAR R/S | 2 |
| 21 | 60114026000 | FLASHER CPL.FRONT R/S REAR L/S | 2 |
| 22 | 60114027000 | BULB 12V ORANGE (RY10W) | 4 |
| 23 | 58414030000 | HH COLLAR NUT M10X1,25 WS=13 | 2 |
| 24 | 61014030000 | FLASHER NUT M10X1,25 WS=12 | 2 |
| 25 | 61014031000 | FLASHER WASHER 05 | 2 |
| 26 | 60114028000 | FLASHER LENS L/S R/S TRANSP.06 | 4 |
| 30 | 61014040144 | REAR LIGHT CPL. 07 | 1 |
| 31 | 58611176100 | CABLE HARNESS REAR PART 07 | 1 |
| 32 | 60014048100 | BULB RED PR21W 12V | 1 |
| 33 | 0985060003 | SELF LOCK. NUT DIN0985-M 6 | 2 |
| 34 | 0021060003 | WASHER DIN9021-A 6,4 | 2 |
| 35 | 58214069051 | RUBBER GROMMET 16X10,8X3 02 | 2 |
| 36 | 60006001021 | DISTANCE RUBBER AIRBOX 03 | 1 |
| 40 | 58414047000 | LICENSE-PLATE ILLUMINATION '98 | 1 |
| 41 | 0021050003 | WASHER DIN9021-A 5,3 | 4 |
| 42 | 0985050003 | SELF LOCKING NUT DIN0985-M 5 | 2 |
| 43 | 61111076000 | WIRING HARNESS REAR 07 | 1 |
| 46 | 0797100003 | LOCK WASHER DIN6797-J10,5 ZI | 2 |
| 47 | 0125100003 | WASHER DIN0125-A10,5 | 2 |

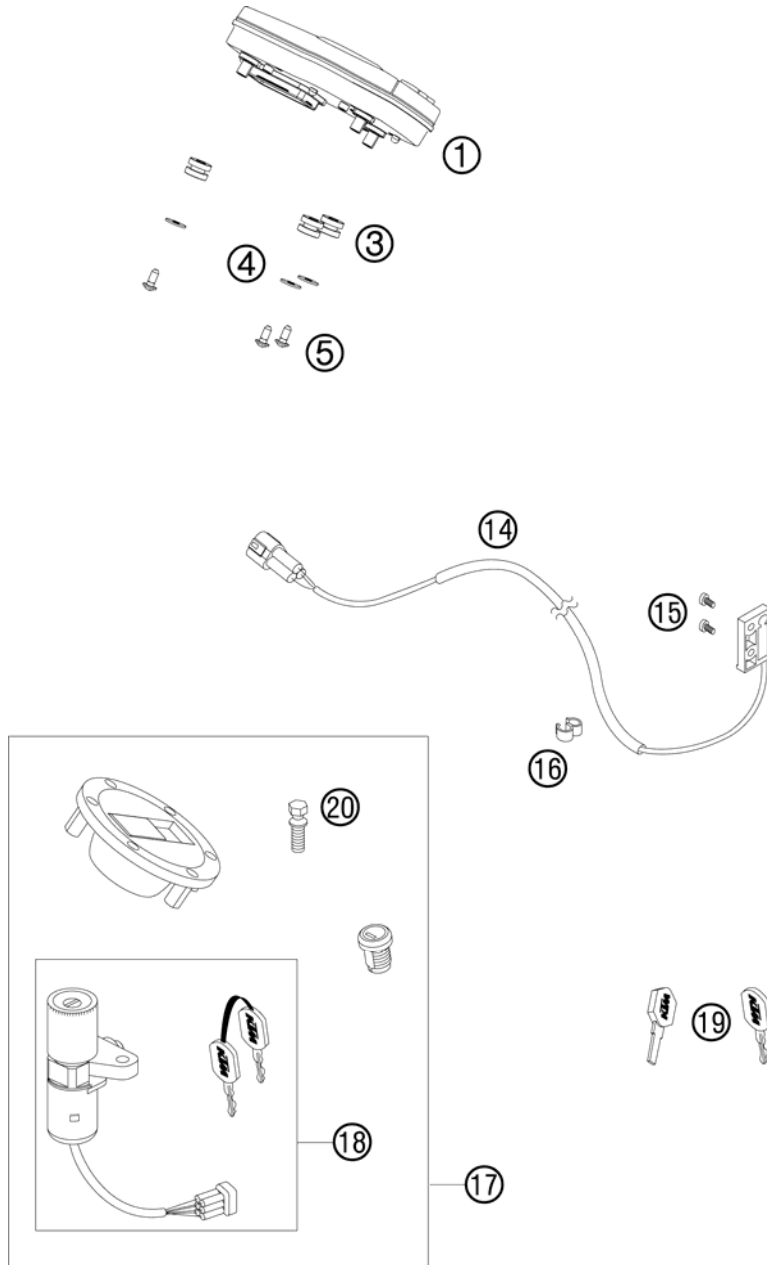
086111410 / C096111410

* NEW PART

X AS REQUIRED

INSTRUMENTS / LOCK SYSTEM

990 SUPER DUKE WHITE EU 2009



| FIG | PART NUMBER | DESCRIPTION | QTY |
|-----|-------------|--------------------------------|-----|
| 1 | 61114069100 | SPEEDOMETER 07 | 1 |
| 3 | 58214069051 | RUBBER GROMMET 16X10,8X3 02 | 3 |
| 4 | 0021050003 | WASHER DIN9021-A 5,3 | 3 |
| 5 | 0016050121 | SCREW FOR PLASTIC 50X12 | 3 |
| 14 | 61014068000 | SPEEDOMETER SENSOR 06 | 1 |
| 15 | 0084040083 | CYL.HEAD SCREW DIN0084-M 4X8 A | 2 |
| 16 | 60111094000 | CLAMP 5/7 MM 06 | 3 |
| 17* | 61011166044 | LOCK SYSTEM 990 SD USA | 1 |
| 18 | 60011066000 | IGNITION LOCK LC8 ADV. 03 | 1 |
| 19 | 40011166100 | KEY BLANK LC4/DUKE/LC8 | x |
| 19 | 40011166150 | KEY | x |
| 20 | 60011064000 | TAMPERPROOF SCREW F. IGN. LOCK | 2 |

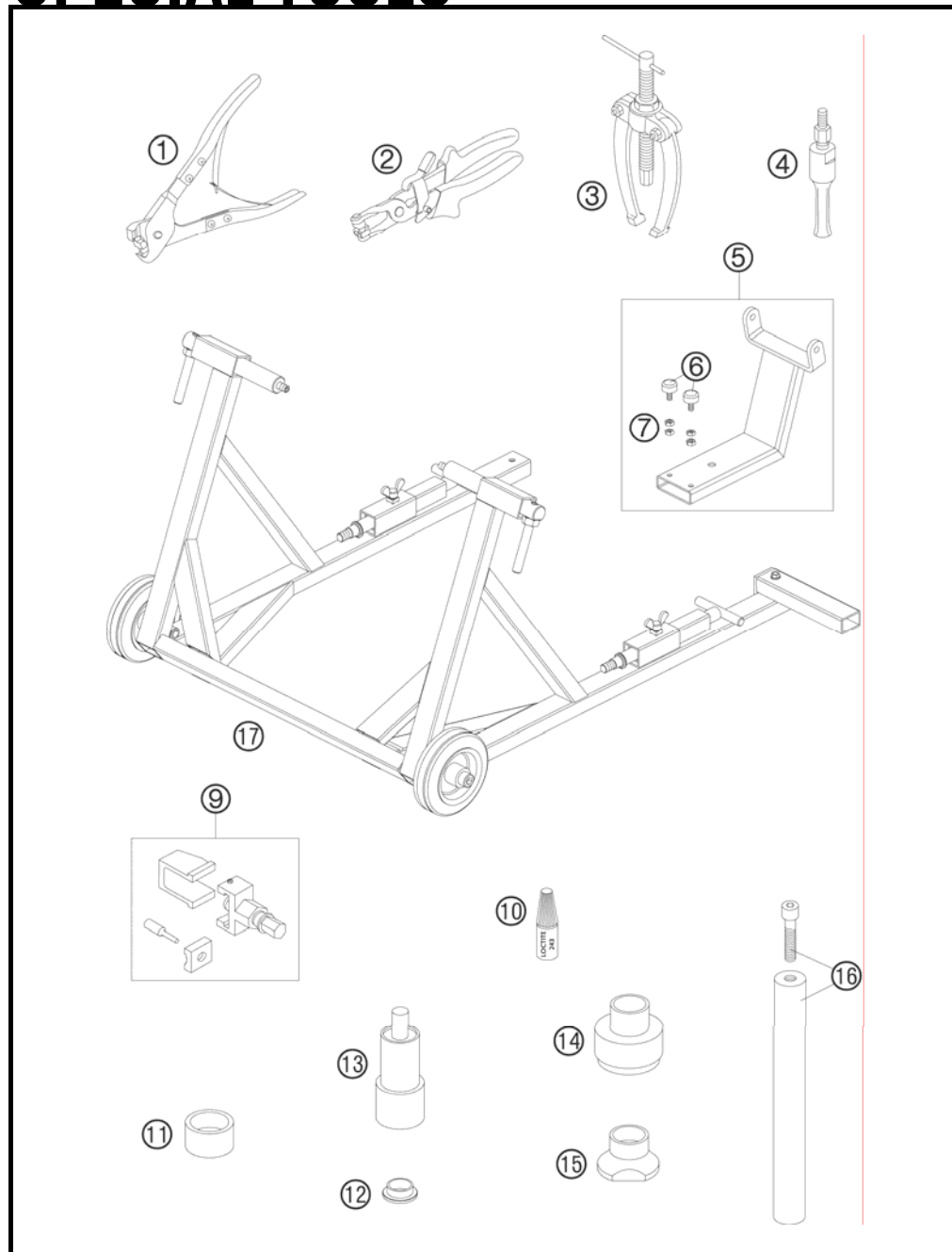
086111430 / C096111430

* NEW PART

X AS REQUIRED

SPECIAL TOOLS

990 SUPER DUKE WHITE EU 2009



| FIG | PART NUMBER | DESCRIPTION | QTY |
|-----|-------------|--|-----|
| 1 | 60029057000 | PLIERS F. VAR.ONE-EAR CLAMP 03 | 1 |
| 2 | 60029057100 | PLIERS F. CLAMP 03 | 1 |
| 3 | 15112017000 | BUSHING EXTRACTOR | 1 |
| 4 | 60029018000 | INTERN.BEAR.PULLER 28 MM | 1 |
| 5 | 60029055100 | ATTACHMENT WHEELED JACK 03 | 1 |
| 6 | 58303070000 | STOP RUBBER M8 | 2 |
| 7 | 09340800003 | HEXAGON NUT DIN0934-M 8 | 4 |
| 9 | 58429020000 | RIVET TOOL LC4 | 1 |
| 10 | 6899785 | LOCTITE 243 BLUE 6CCM | 1 |
| 11 | 60029056000 | ANVIL DOLLY 03 | 1 |
| 12 | 60010013000 | SPACER BUSH. REAR WHEEL R/S 03 FOR SWINGARM BEARING | 1 |
| 13 | 58429086000 | PRESS. TOOL F. LINK BEAR. LC4 | 1 |
| 14 | 58429091000 | MOUNT.TOOL STEER.HEAD BEAR.LC4 | 1 |
| 15 | 58429092000 | DISMOUNT. TOOL F. BEARINGS LC4 | 1 |
| 16 | 58429089000 | HOLDING TOOL CHASSIS LC4 | 1 |
| 17 | 62529055000 | VEHICLE STAND 05 | 1 |

086111910 / C096111910

* NEW PART

X AS REQUIRED

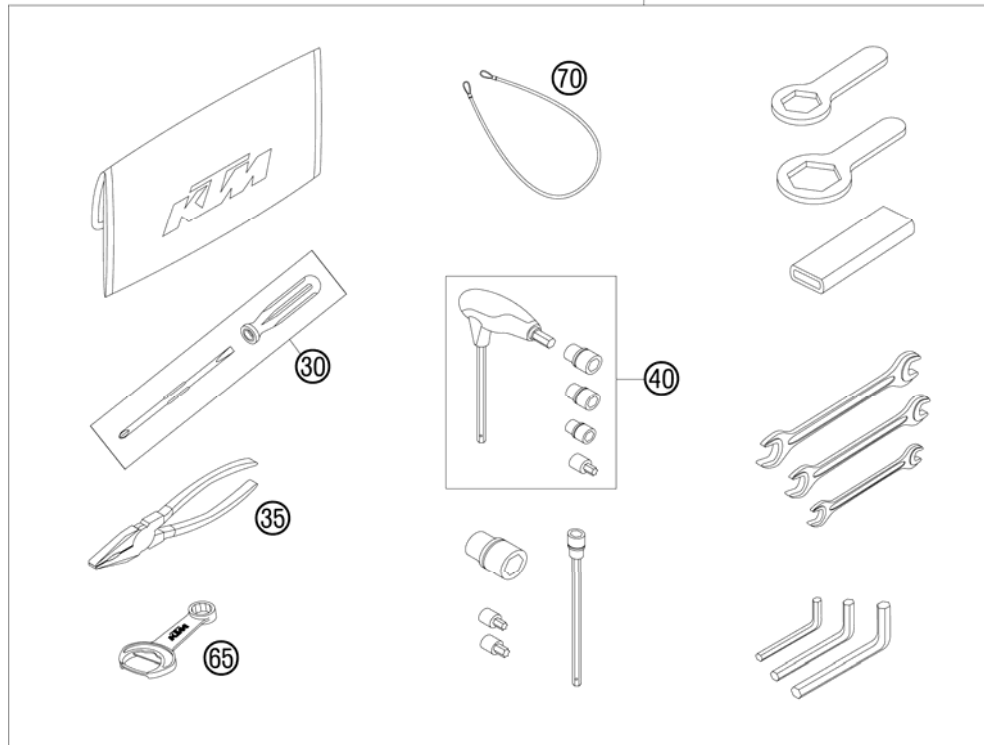
ACCESSORIES KIT

990 SUPER DUKE WHITE EU 2009

①
OHNE ABBILDUNG
WITHOUT ILLUSTRATION

①
TECHNISCHE DOKUMENTATION
TECHNICAL DOCUMENTATION
DOCUMENTACION TECNICA
DOCUMENTATION TECHNIQUE
NOTE TECNICHE

⑫



| FIG | PART NUMBER | DESCRIPTION | QTY |
|-----|----------------|--------------------------------|-----|
| 0 | 00063099111 | BAG FOR INSTRUCTION MANUAL | 1 |
| 0 | 0021060003 | WASHER DIN9021-A 6,4 | 4 |
| 0 | 0024060156 | HH COLLAR SCREW M6X15 TX30 | 4 |
| 0 | 0125050003 | WASHER DIN0125-A 5,3 | 2 |
| 0 | 0966050163 | OVAL HEAD SCREW DIN0966-M 5X16 | 1 |
| 0 | 0985050003 | SELF LOCKING NUT DIN0985-M 5 | 2 |
| 0 | 0985060003 | SELF LOCK. NUT DIN0985-M 6 | 4 |
| 0 | 312305 | DOCUMENTS BAG 2006 | 1 |
| 0 | 312313 | KTM BALLPOINT ORANGE | 1 |
| 0 | 3210039 | CUSTOMER WELCOME LETTER | 1 |
| 0 | 40006006000 | WASHER 6MM | 2 |
| 0 | 50329080100 | WRENCH SW=17/21/27/32 B&F | 1 |
| 0 | 58412040050 | SUPPORT FOR MIRROR LC4 '98 | 1 |
| 0 | 58412080000 | REFLECTOR RED LC4 '98 | 1 |
| 0 | 58412080050 | BRACKET FOR REFLECTOR | 1 |
| 0 | 60012081200 | LICENCE FITTING 06 | 1 |
| 0 | 6100802014420A | FRONT-END SPOILER CPL. WHI 08 | 1 |
| 0 | 61112040000 | REVIEW MIRROR L/S 07 | 1 |
| 0 | 61112041000 | REVIEW MIRROR R/S 07 | 1 |
| 1* | 3211372EN | OWN. MANUAL 990 SUPERDUKE/R 09 | 1 |
| 12 | 61129099000 | TOOL SET 08 | 1 |
| 30 | 53012024100 | SCREW DRIVER L=105MM | 1 |
| 35 | 53012028200 | GRIP ORANGE B&F | 1 |
| 40 | 60029070200 | T-WRENCH WS=6/8/10 TX=45 B&F | 1 |
| 65* | 50329071100 | WRENCH WS=13 B&F + OPENER | 1 |
| 70 | 60012015000 | HELMET LOCK 04 | 1 |

086252001 / C096112013

* NEW PART

X AS REQUIRED







KTM-Sportmotorcycle AG
A-5230 Mattighofen
www.ktm.at

KTM Group Partner



3CF98031AEN



Art.Nr.: 3CF98031AEN 2/2009