

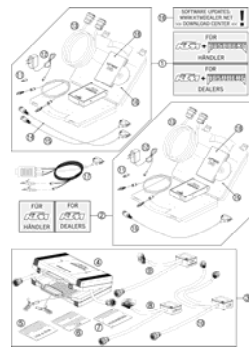
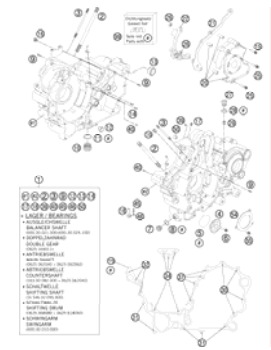
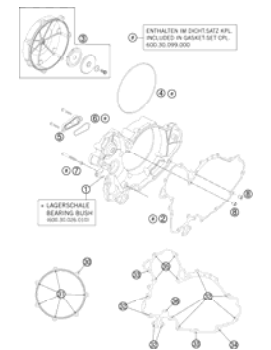
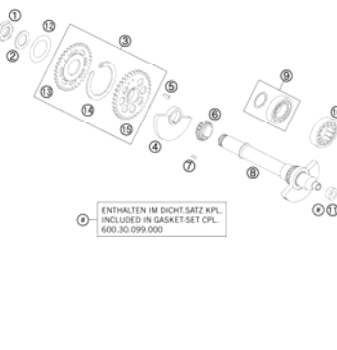
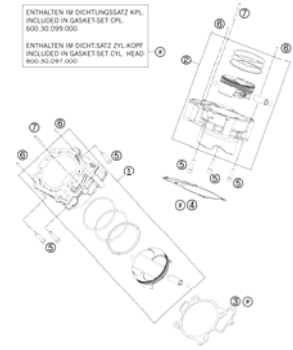
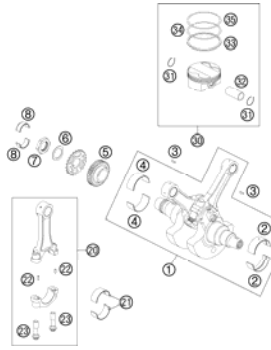
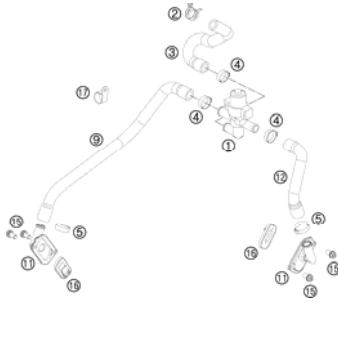
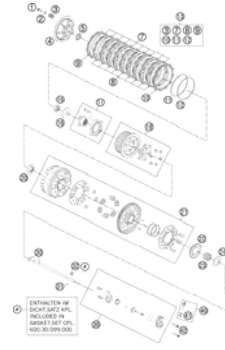
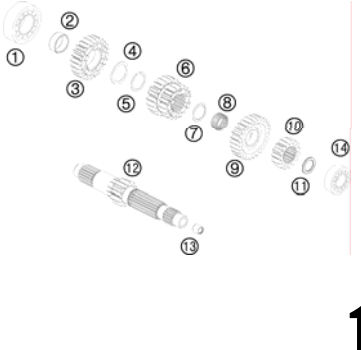
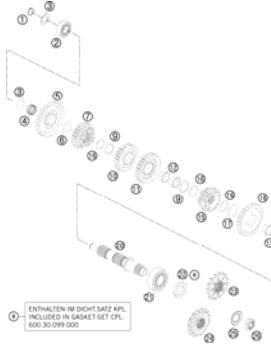
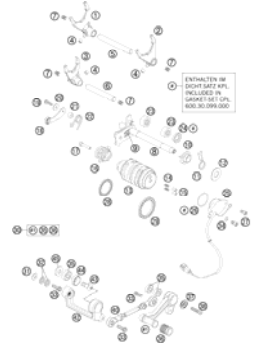
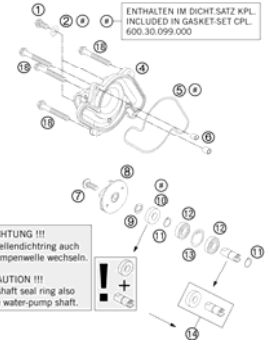
990 SUPERDUKE R 2011

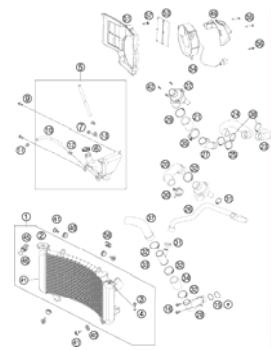
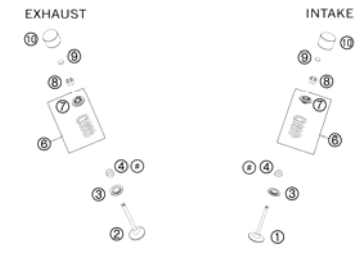

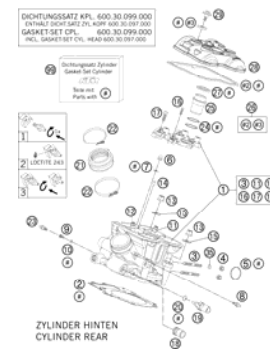
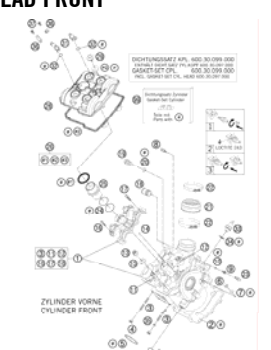


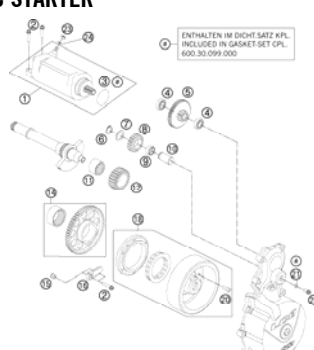
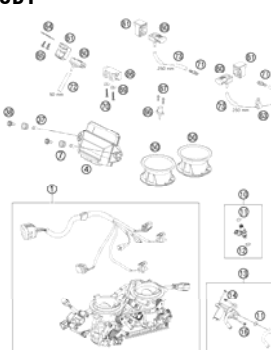
SPARE PARTS MANUAL: ENGINE

ART.NO.: 3CM089822KEN

ENGLISH



<p>DIAGNOSTIC TOOL</p>  <p>SOFTWARE UPDATES HINWEIS: NEHMEN SIE SICH AN DIE ANLEITUNG FÜR HANDLER FÜR HANDLER SEALERS</p> <p>FÜR HANDLER FÜR SEALERS</p> <p>3</p>	<p>ENGINE CASE</p>  <p>ENTHALTEN IM DICHTSATZ KPL. INCLUDED IN GASKET SET CPL. 600.30.099.000</p> <p>ENTHALTEN IM DICHTSATZ KPL. INCLUDED IN GASKET SET CPL. 600.30.099.000</p> <p>4</p>	<p>CLUTCH COVER</p>  <p>ENTHALTEN IM DICHTSATZ KPL. INCLUDED IN GASKET SET CPL. 600.30.099.000</p> <p>ENTHALTEN IM DICHTSATZ KPL. INCLUDED IN GASKET SET CPL. 600.30.099.000</p> <p>6</p>	<p>BALANZER SHAFT</p>  <p>ENTHALTEN IM DICHTSATZ KPL. INCLUDED IN GASKET SET CPL. 600.30.099.000</p> <p>7</p>
<p>CYLINDER</p>  <p>ENTHALTEN IM DICHTUNGSSATZ KPL. INCLUDED IN GASKET SET CPL. 600.30.099.000</p> <p>ENTHALTEN IM DICHTSATZ ZYL. KOPF INCLUDED IN GASKET SET CYL. HEAD 600.30.099.000</p> <p>8</p>	<p>CRANKSHAFT, PISTON</p>  <p>9</p>	<p>SECONDARY AIR SYSTEM SAS</p>  <p>10</p>	<p>CLUTCH</p>  <p>ENTHALTEN IM DICHTSATZ KPL. INCLUDED IN GASKET SET CPL. 600.30.099.000</p> <p>11</p>
<p>TRANSMISSION I - MAIN SHAFT</p>  <p>12</p>	<p>TRANSMISSION II - COUNTERSHAFT</p>  <p>ENTHALTEN IM DICHTSATZ KPL. INCLUDED IN GASKET SET CPL. 600.30.099.000</p> <p>13</p>	<p>SHIFTING MECHANISM</p>  <p>ENTHALTEN IM DICHTSATZ KPL. INCLUDED IN GASKET SET CPL. 600.30.099.000</p> <p>14</p>	<p>WATER PUMP</p>  <p>ENTHALTEN IM DICHTSATZ KPL. INCLUDED IN GASKET SET CPL. 600.30.099.000</p> <p>ACHTUNG !!! Mit dem Wellendichtring auch die Wasserpumpenwelle wechseln.</p> <p>CAUTION !!! With the shaft seal ring also change the water-pump shaft.</p> <p>16</p>

<p>COOLING SYSTEM</p>  <p style="text-align: right;">17</p>	<p>VALVE DRIVE</p> <p>EXHAUST INTAKE</p>  <p style="text-align: right;">19</p>	<p>TIMING DRIVE</p>  <p style="text-align: right;">20</p>	<p>CYLINDER HEAD REAR</p>  <p style="text-align: right;">21</p>
<p>CYLINDER HEAD FRONT</p>  <p style="text-align: right;">22</p>	<p>LUBRICATING SYSTEM</p>  <p style="text-align: right;">24</p>	<p>IGNITION SYSTEM</p>  <p style="text-align: right;">26</p>	<p>ELECTRIC STARTER</p>  <p style="text-align: right;">27</p>
<p>THROTTLE BODY</p>  <p style="text-align: right;">28</p>	<div style="display: flex; align-items: center;"> <div style="font-size: 4em; margin-right: 20px;">!</div> <div> <p>All information contained is without obligation. KTM-Sportmotorcycle AG particularly reserves the right to modify any equipment, technical specifications, prices, colors, shapes, materials, services, service work, constructions, equipment and the like so as to adapt them to local conditions or to cancel any of the above items, all without previous announcement and without giving reasons. KTM may stop manufacturing certain models without previous notice. KTM shall not be held liable for any deviations of availability and/or ability to deliver, illustrations, descriptions, printing and/or other errors. The illustrated models partly contain extra equipment, which is not applied to standard models. © by KTM-SPORTMOTORCYCLE AG, Mattighofen AUSTRIA; All rights reserved; Reprint, also in extracts, with written allowance of KTM-SPORTMOTORCYCLE AG, Mattighofen only.</p> </div> </div>		

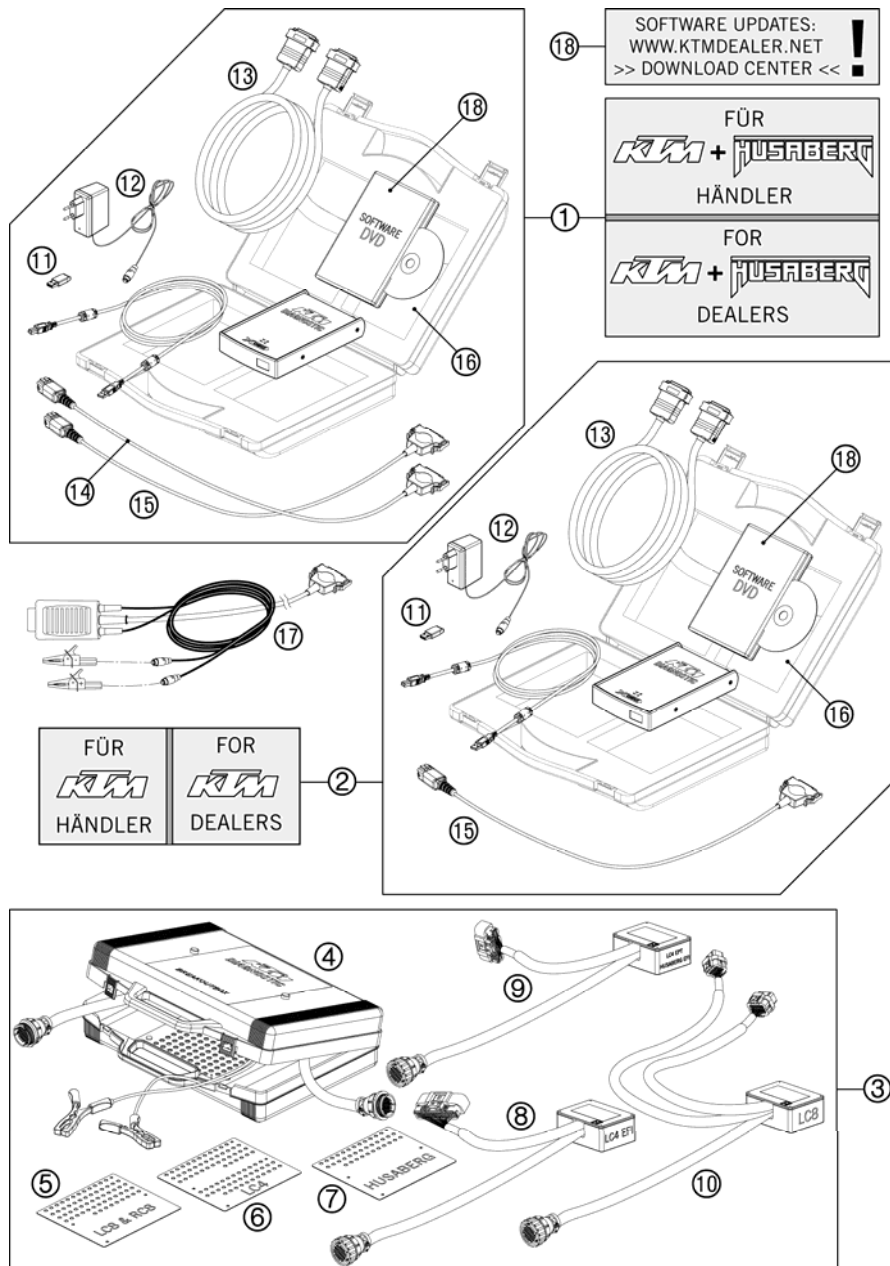


FIG	PART NUMBER	DESCRIPTION	QTY
1	00029096200	DIAGNOSTIC TOOL HUSABERG/KTM	1
2	00029096100	DIAGNOSTIC TOOL KTM	1
3	00029095000	BREAKOUT-BOX KPL.	1
4	00029095001	BREAKOUT-BOX	1
5	00029095005	TEMPLATE LC8 / RC8	1
6	00029095006	TEMPLATE LC4	1
7	00029095007	TEMPLATE HUSABERG	1
8	00029095003	ADAPTER LC4 EFI	1
9	00029095004	ADAPTER LC4 EPT/HUSABERG EFI	1
10	00029095002	ADAPTER LC8	1
11	00029096006	DIAGNOSTIC HASP DONGLE XC1	2
12	00029096003	POWERSUPPLY 220V/12V FOR AVL	2
13	00029096002	EXTENSION CABLE	2
14	00029096001	DIAGNOSTIC CABLE HUSABERG	1
15	00029096009	DIAGNOSTIC CABLE KTM	2
16	00029096004	CASE FOR DIAGNOSTIC-TOOL	1
17	00029096010	DIAGN. CABLE EXT. POWER SUPPLY	1
18	00029096007	DVD KTM XC-1 UPDATE V2.0	2

100002921 / C100002921

* NEW PART

X AS REQUIRED

ENGINE CASE

990 SUPERDUKE R 2011

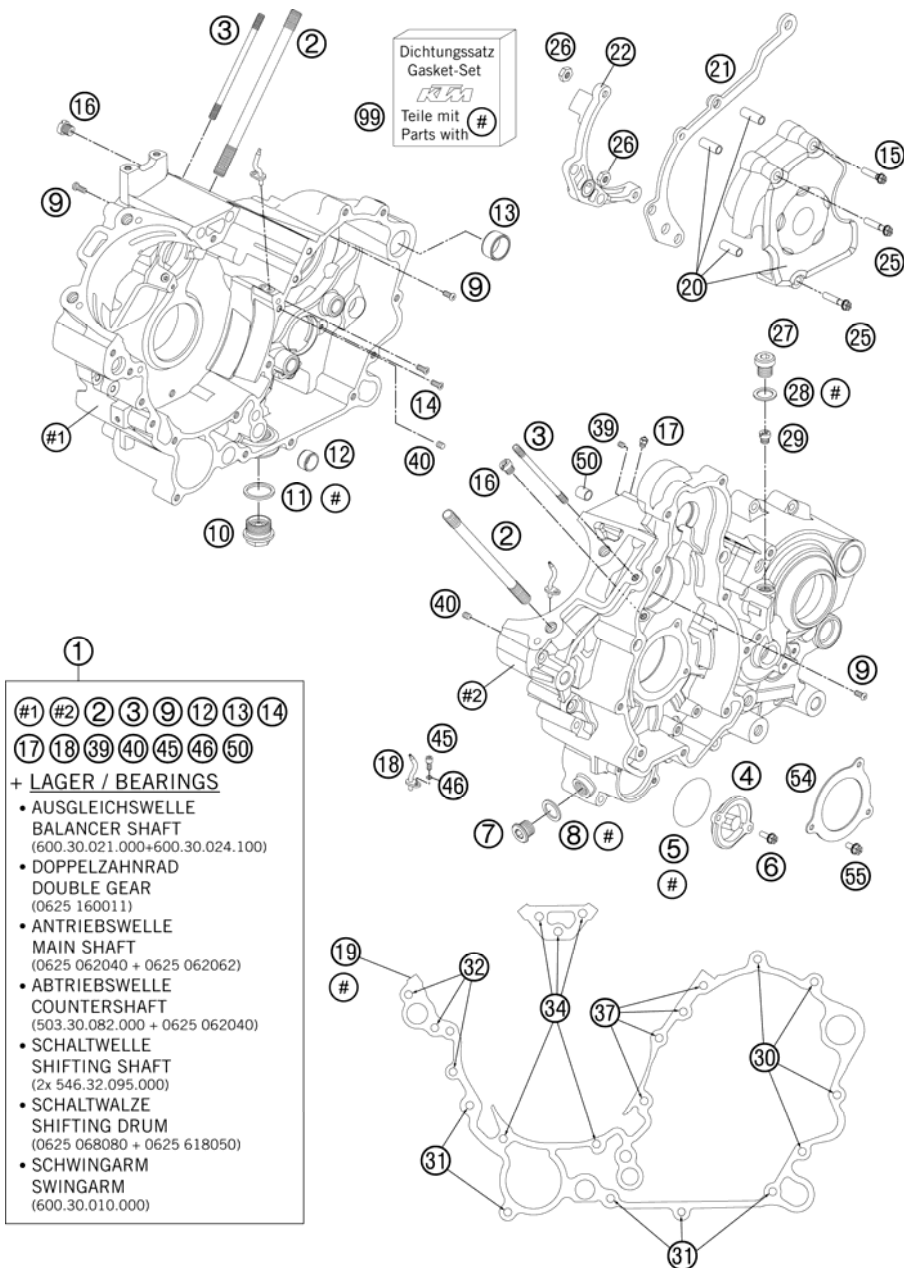


FIG	PART NUMBER	DESCRIPTION	QTY
1	6113000004423	ENGINE CASE CPL. WITH BEARINGS	1
2	60030043100	STUD M10X161 06	8
3	60030043010	STUD M 6X101 10.9 03	2
4	75038041200	OILFILTER CAP	1
5*	07700390261	O-RING 39,34X2,62	1
6	0025050166	HH COLLAR SCREW M5X16 TX30	2
7	60038033050	PLUG SCREW M14X1,5 ALU AH	1
8	0603142016	CU-SEAL RING 14X20X1,5 LC8 02	1
9	0018050103	INT. TORX OVAL HEAD M 5X10 8.8	3
10	58038019050	DRAIN PLUG W. MAGNET	1
11	58038017100	CU-SEAL RING DIN7603-22X27X2	1
12	58330023000	DOWEL 17 X 14 X 9,5	1
13	60030023000	DOWEL 20,1X24X12 03	1
14	0019050103	INT. TORX FLAT HEAD M 5X10 8.8	2
15	0025060306	HH COLLAR SCREW M6X30 TX30	1
16	59030054000	JET 60 DELLORTO M6X0,75	2
17	60030066000	OIL JET CURVED "70" BLUE	2
18	60030064100	OIL JET CURVED "70" GREEN	2
19	60030039100	ENGINE CASE GASKET 0,5MM 05	1
20	60030060044	CHAIN SPROCKET COVER CPL. 03	1
21	60030047000	CHAIN FAIL. PROTECTION LC8 03	1
22	60032063000	ADAPTER F. HYDR. CLUTCH 03	1
25	0025060356	HH COLLAR SCREW M6X35 TX30	2
26	0985060003	SELF LOCK. NUT DIN0985-M 6	2
27	49030029000	OIL DRAIN PLUG M10X1,5 AH-WS=6	1
28	0603100141	COPPER GASKET DIN7603-10X14X1	1
29	60038029200	REDUCING JET "30" M6X0,75	1
30	0025060406	HH COLLAR SCREW M6X40 TX30	4
31	0025060606	HH COLLAR SCREW M6X60 TX30	5
32	0025060656	HH COLLAR SCREW M6X65 TX30	3
34	0025060756	HH COLLAR SCREW M6X75 TX30	5
37	0025060906	HH COLLAR SCREW M6X90 TX30	4
39	0916050042	THREAD PIN DIN916 M5X4-45H	2
40	0551060050	THREAD PIN DIN0551-M 6X 5	2
45	0912040103	AH.SCREW DIN0912-M 4X10	2

116113010 / C116113011

* NEW PART

X AS REQUIRED

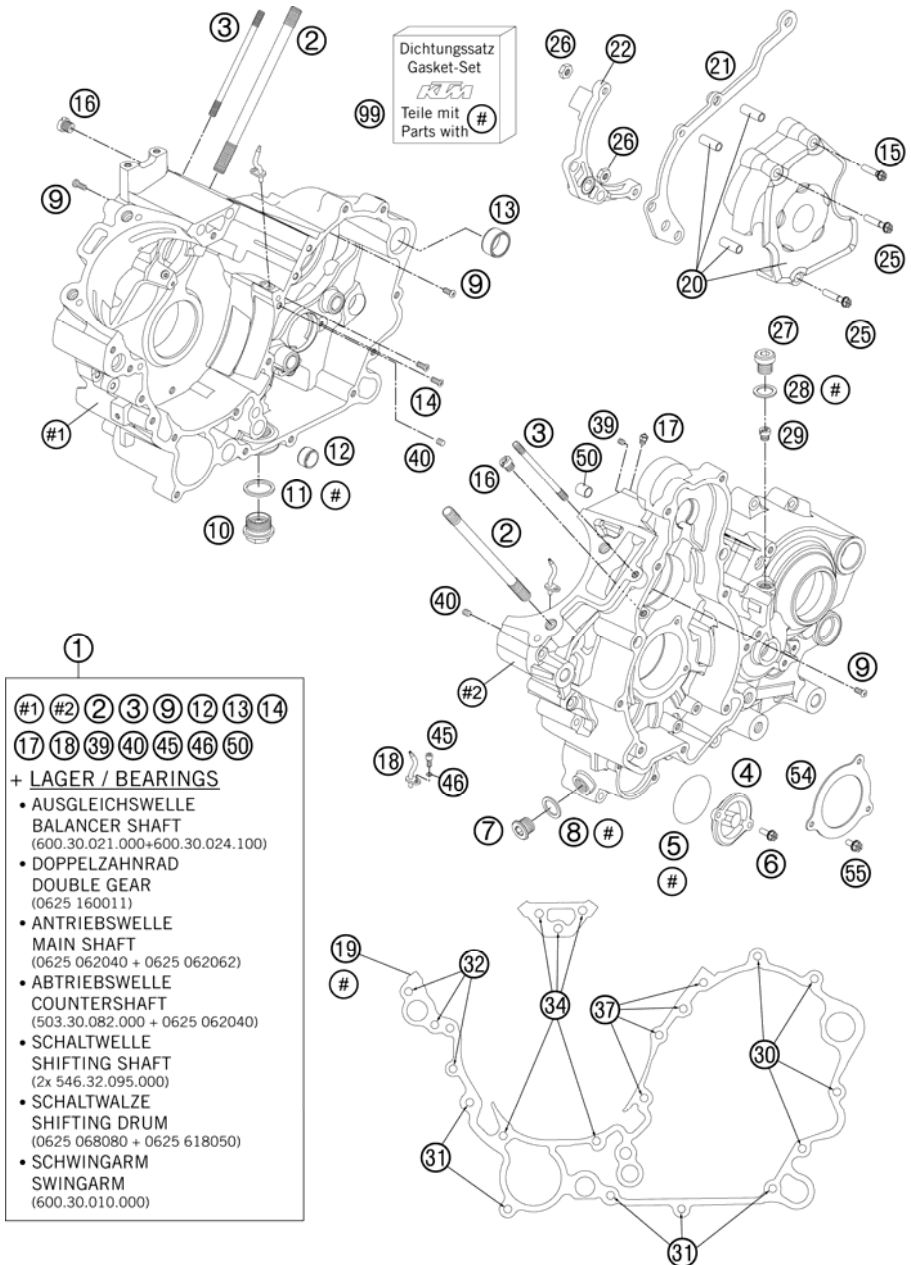


FIG	PART NUMBER	DESCRIPTION	QTY
46	0770035020	O-RING 3,5X2,00 NBR	2
50	49030090000	DOWEL 9,8 X 7 X 10	2
54	60030084000	BRACKET FOR BEARING INSERT 05	2
55	0025050126	HH COLLAR SCREW M5X12 TX30	6
99	60030099000	GASKET SET CPL. 03	1

116113010 / C116113011

* NEW PART

X AS REQUIRED

CLUTCH COVER

990 SUPERDUKE R 2011

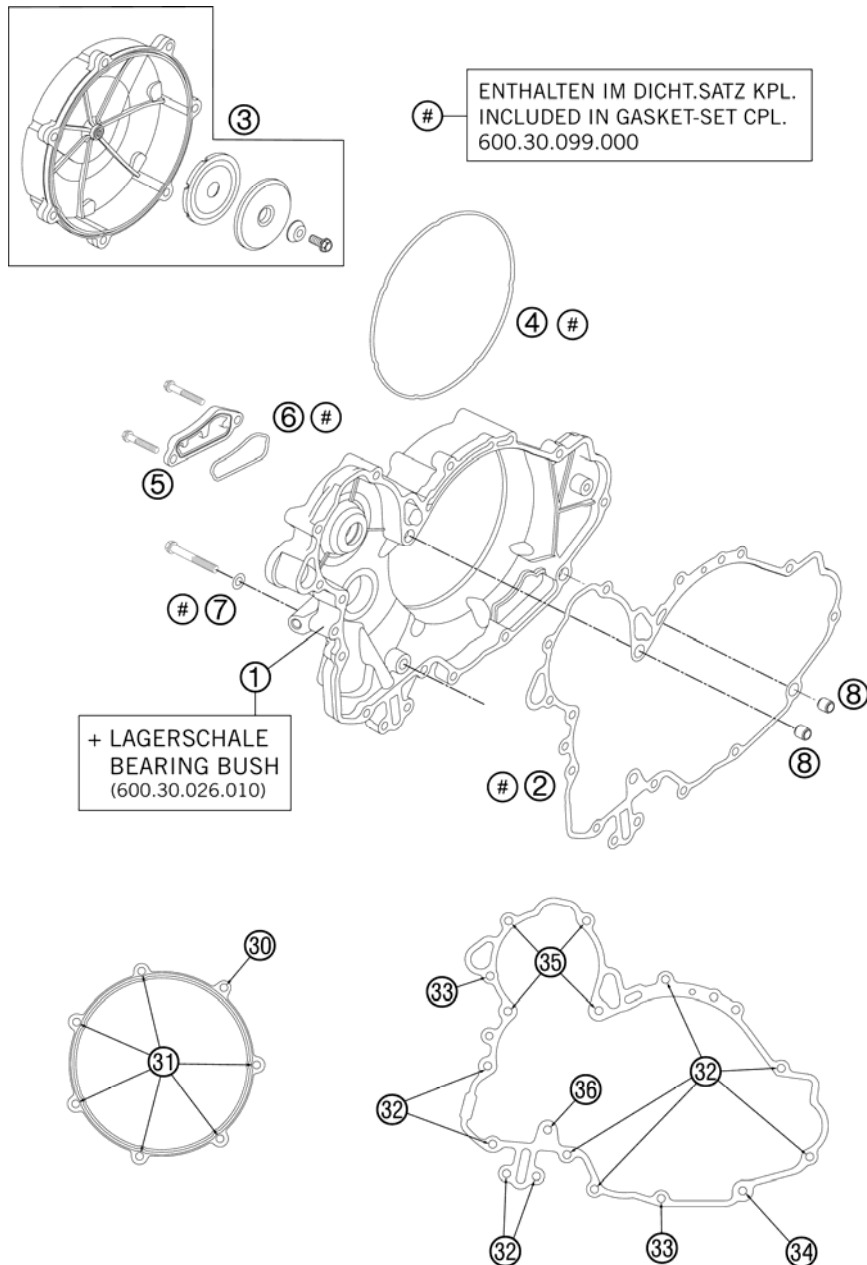


FIG	PART NUMBER	DESCRIPTION	QTY
1	6003000114423	CLUTCH COVER LC8 CPL.08	1
2	60030025000	CLUT.COV. GASK. INSIDE KLI.SIL	1
3	6003012614423	CLUTCH OUTSIDE COVER CPL. 06	1
4	60030027000	GASKET RING CLUTCH 2X3,1 VAMAC	1
5	60030012100	CLOS. COVER OIL SCR. MILLED 03	1
6	60030012050	MOLDED RING 1,8X2,5 VAMAC 03	1
7	0603082131	COPPER GASK.DIN7603- 8,2X13X1	1
8	49030090000	DOWEL 9,8 X 7 X 10	2
30	0025060856	HH COLLAR SCREW M6X85 TX30	1
31	0025060256	HH COLLAR SCREW M6X25 TX30	6
32	0025060306	HH COLLAR SCREW M6X30 TX30	9
33	0025060356	HH COLLAR SCREW M6X35 TX30	2
34	0025060406	HH COLLAR SCREW M6X40 TX30	1
35	0025060606	HH COLLAR SCREW M6X60 TX30	4
36	0025080606	HH COLLAR SCREW M8x60 TX40	1

116113020 / C116113020

* NEW PART

X AS REQUIRED

BALANZER SHAFT

990 SUPERDUKE R 2011

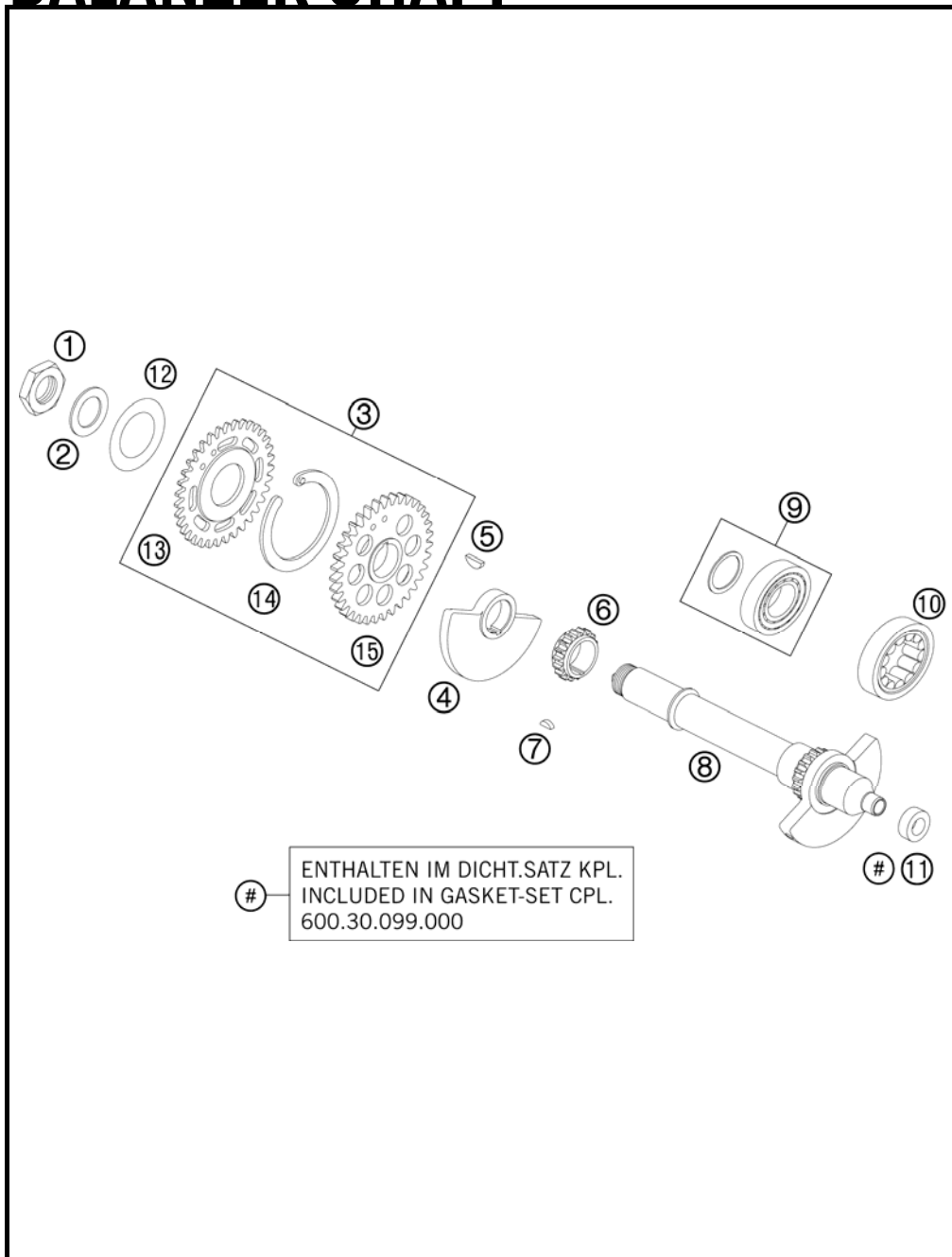


FIG	PART NUMBER	DESCRIPTION	QTY
1	60036073150	HEXAGON NUT M20X1,5 H=6MM 05	1
2	60033043000	STOP DISK 20,2 X 34 X 1	1
3	60036081000	SPREAD TRANSMISSION 05	1
4	61136074150	BALANCER WEIGHT R/S	1
5	0888040050	WOODRUFF KEY DIN6888 4X5X13	1
6	60036014018	TIMING GEAR 18-T 03	1
7	0888030037	WOODRUFF KEY DIN6888-3X3,7	1
8	61136073000	TIMING VALVE JACKSHAFT CPL.	1
9	60030024100	CYL. ROLLER BEAR. NUP 204E	1
10	60030021000	CYL.ROLLER BEARING 26,5X47X14	1
11	0760122050	SHAFT SEAL RING 12X20X5 B	1
12	0093463006	SPRING WASH. 30,5X46,5X0,6-1,5	1
13	60036083035	CLAMPING WHEEL 35-Z 05	1
14	60036081050	TENSION SPRING 05	1
15	60036082035	DRIVE WHEEL 35-T 05	1

ENTHALTEN IM DICHT.SATZ KPL.
INCLUDED IN GASKET-SET CPL.
600.30.099.000

116113030 / C116113031

* NEW PART

X AS REQUIRED



CYLINDER

990 SUPERDUKE R 2011

ENTHALTEN IM DICHTUNGSSATZ KPL.
INCLUDED IN GASKET-SET CPL.
600.30.099.000

ENTHALTEN IM DICHT.SATZ ZYL.KOPF
INCLUDED IN GASKET-SET CYL. HEAD
600.30.097.000

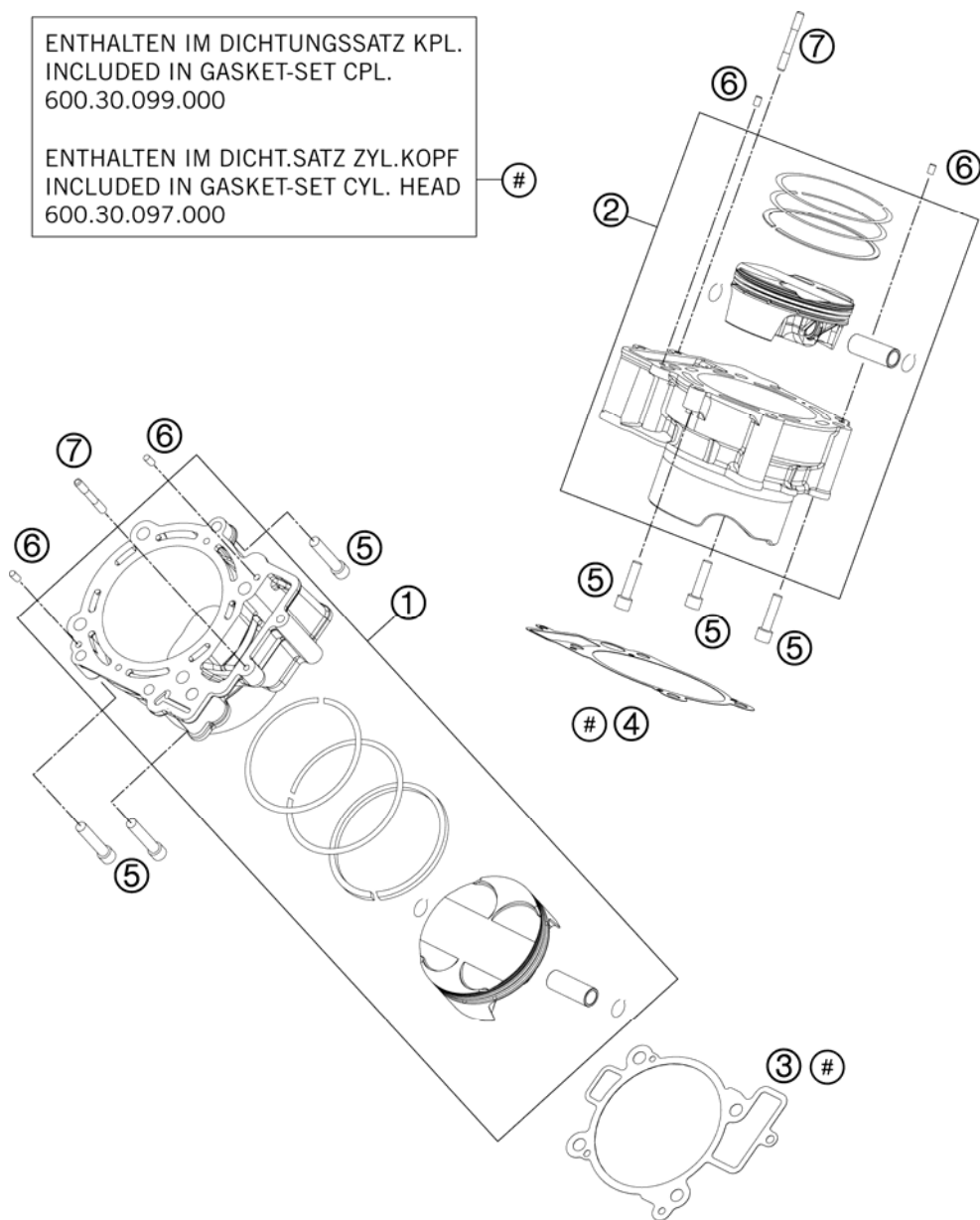


FIG	PART NUMBER	DESCRIPTION	QTY
1	6113003810023	ZYLINDER & PISTON FRONT	1
2	6113013810023	ZYLINDER & PISTON REAR	1
3	60030035000	CYLINDER-BASE GASKET FR 0,35MM	1
4	60030135000	CYLINDER-BASE GASKET RR 0,35MM	1
5	0912080353	AH SCREW DIN0912-M 8X35	6
6	0474050100	GROOVED PIN DIN1474 5X10	4
7	60030043020	STUD M6X47 03	2

116113040 / C116113040

* NEW PART

X AS REQUIRED

CRANKSHAFT, PISTON

990 SUPERDUKE R 2011

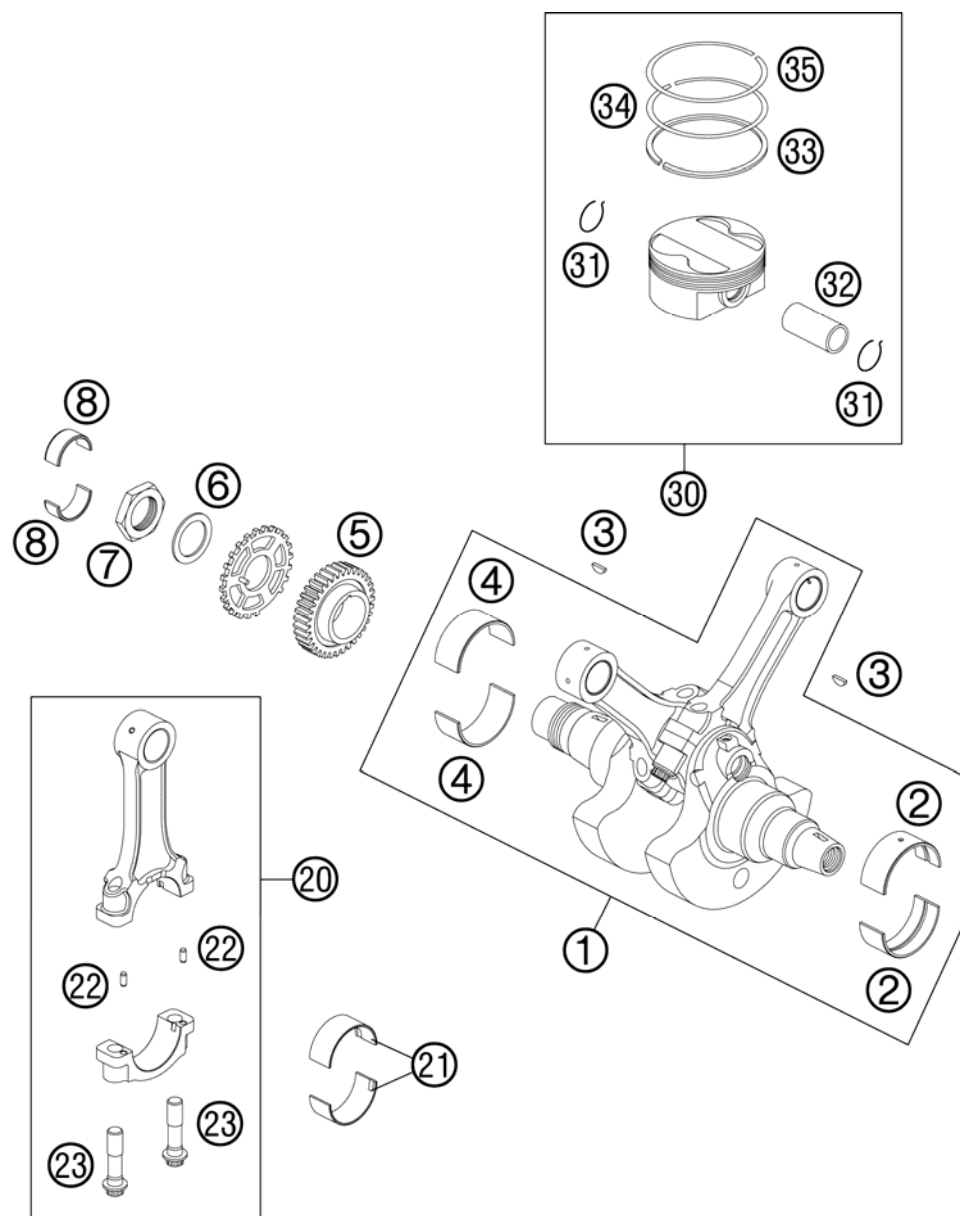


FIG	PART NUMBER	DESCRIPTION	QTY
1	61030018100	CRANKSHAFT KPL.	1
2	60030082000 1	SPLIT BEAR.BUSH SIZE 1 RED 03	x
2	60030082000 2	SPLIT BEAR.BUSH SIZE 2 BLUE 03	x
2	60030082000 3	SPLIT BEAR.BUSH SIZE 3 YELL.03	x
3	0888040050	WOODRUFF KEY DIN6888 4X5X13	2
4	60030182000 1	SPLIT BEAR.BUSH SIZE 1 RED 03	x
4	60030182000 2	SPLIT BEAR.BUSH SIZE 2 BLUE 03	x
4	60030182000 3	SPLIT BEAR.BUSH SIZE 3 YELL.03	x
5	60032023035	PRIMARY PINION 35 T 03	1
6	60032009040	WASHER 33,2X46X2 03	1
7	60032009050	HH-NUT M33X1,5 L/S WS46 03	1
8	60030026010	BUSHING BOWL 28X32X13 03	2
20	60030013244	CONNECTING ROD CPL. 06	2
21	60030013051	BUSH.BOWL PACK. SIZE 1 RED 03	x
21	60030013052	BUSH.BOWL PACK. SIZE 2 BLUE 03	x
21	60030013053	BUSH.BOWL PACK. SIZE 3 YELL.03	x
22	60030015061	CYLINDER PIN 03	4
23	60030015260	CONNECTING-ROD BOLT MJ10X1 06	4
30	61030007000 I	PISTON D=101 05	x
30	61030007000 II	PISTON D=101 05	x
31	77630074000	CIRCLIP	4
32	75030033000	PISTON PIN EB 22/72 d22x56	2
33	61030032000	OIL SCRAPER RING D=101MM	2
34	58330932100	TAP.COMPR.PISTON RING 101X1,25	2
35	61030030000	PISTON RING "L" D=101 H=1,25	2

116113060 / C116113060

* NEW PART

X AS REQUIRED

SECONDARY AIR SYSTEM SAS

990 SUPERDUKE R 2011

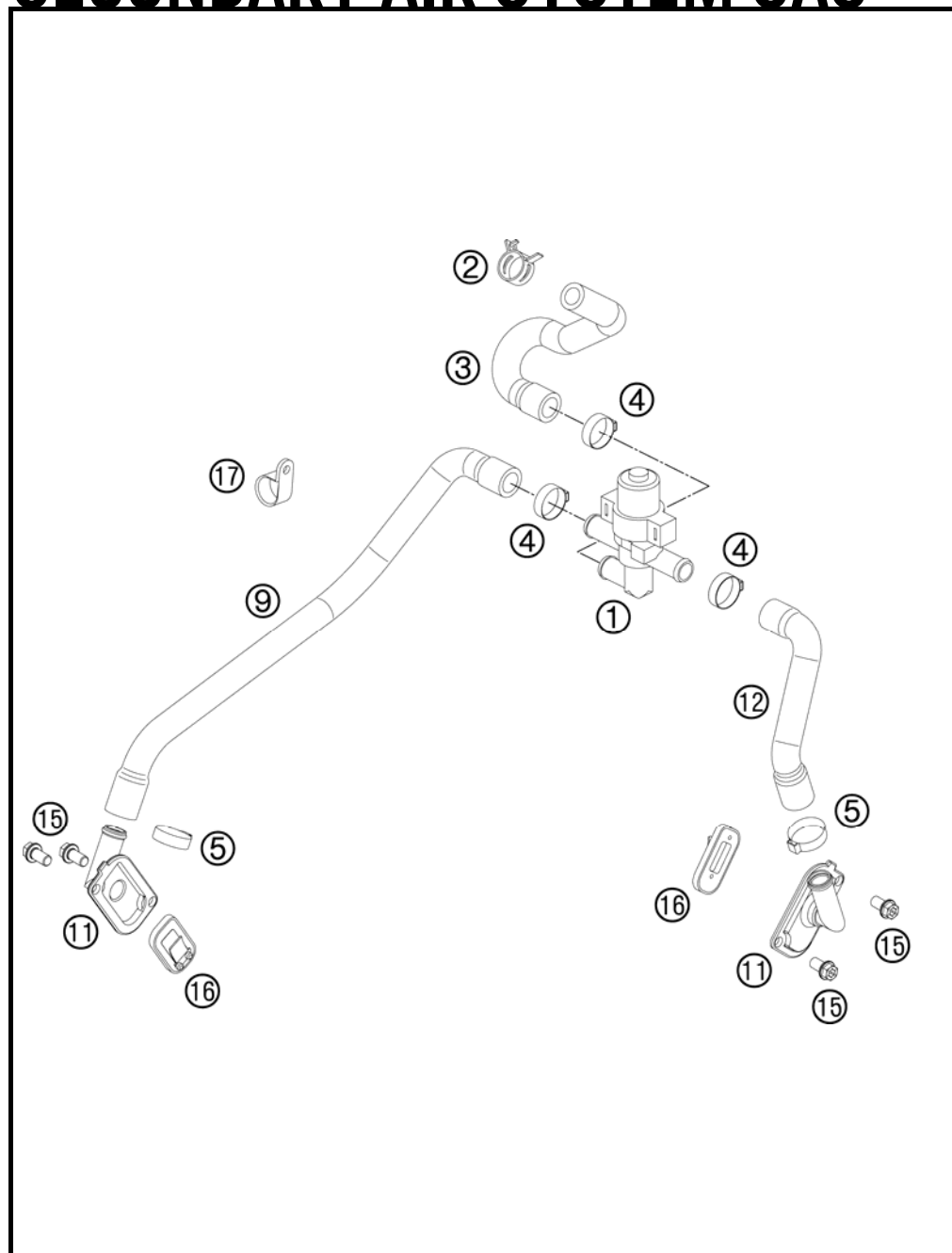


FIG	PART NUMBER	DESCRIPTION	QTY
1	61005026000	CONTROL VALVE SAS	05
2	00049190121	CLAMP STD DN19	1
3	61005035023	SAS HOSE AIRBOX	05
4	00050226706	VARIABLE ONE-EAR CLAMP 22,6MM	3
5	00050210706	VARIABLE ONE-EAR CLAMP 21,0MM	2
9	61005035021	SAS HOSE CYLINDER FRONT	05
11	60005022000	SAS FLANGE	03
12	61005035022	SAS HOSE CYLINDER REAR	05
15	0025060126	HH COLLAR SCREW M6X12 TX30	4
16	60005026000	SLS-VALVE	03
17	57013070400	PVC CLAMP 17,4MM HEYCO 3381	1

116113130 / C116113130

* NEW PART

X AS REQUIRED

CLUTCH

990 SUPERDUKE R 2011

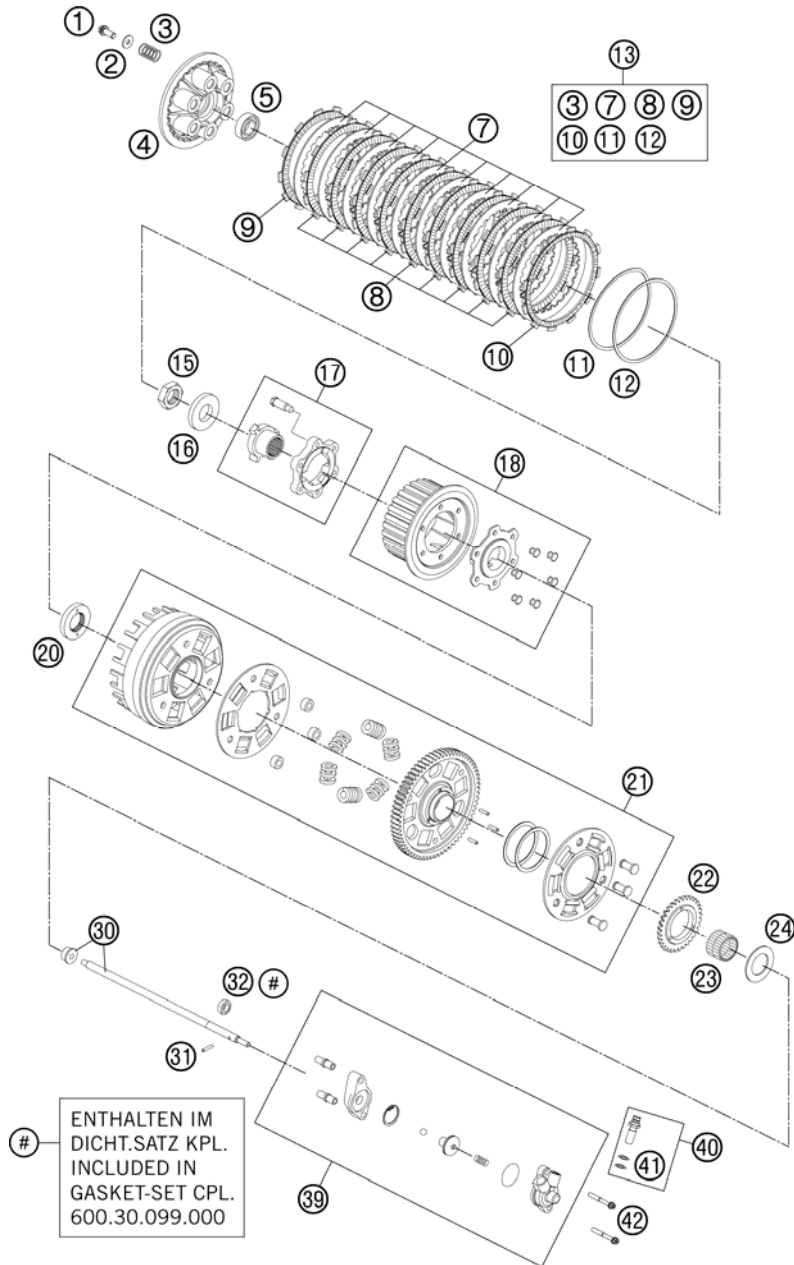


FIG	PART NUMBER	DESCRIPTION	QTY
1	0025060166	HH COLLAR SCREW M6X16 TX30	6
2	0021060003	WASHER DIN9021-A 6,4	6
3	60032005000	CLUTCH SPRING LC8 2003	6
4	60032003000	PRESSURE CAP LC8 2003	1
5	0625060032	BALL BEARING 6003 JR2 C4	1
7	60032010000	STEEL DISC 2MM	10
8	60032011000	LINING DISK 2,8MM	9
9	60032111000	LINING DISK OUTSIDE 2,8MM	03
10	60032012000	LINING DISK TURN OUT 2,8MM	03
11	60032034000	BELLEVILLE SPRING 2003	1
12	60032035000	THRUST WASHER 2003	1
13	60032011010	CLUTCH KIT LC8 03-10	1
15	0936220155	HEXAGON NUT DIN0936-M22X1,5 R.	1
16	0125220393	PULLEY 22X39X3MM	1
17	60032080000	CLUTCH BOOSTER UNIT CPL. 03	1
18	60032002000	INNER CLUTCH HUB CPL. 03	1
20	60032021000	SECTION WASHER 03	1
21	60032001144	OUT.CLUTCH HUB CPL. 67-T 2004	1
22	60038001132	OIL PUMP GEAR WHEEL 32-T 07	1
23	0618303526	NEEDLE BUSH HK 30X35X26	1
24	60032020000	STOP DISK 30,2/50/2	1
30	60032054400	PUSH ROD CPL.	1
31	0402031780	NEEDLE ROL.DIN5402 NRB 3X17,8	1
32	0760091862	SHAFT SEAL RING 9X18X06 B-NBR	1
39	60032061244	CYLINDER CPL. LC8 08	1
40	50332062000	HOLLOW SCREW CPL. M 10X1 '98	1
41	0603100141	COPPER GASKET DIN7603-10X14X1	2
42	0025060506	HH COLLAR SCREW M6X50 TX30	2

116113211 / C116113211

* NEW PART

X AS REQUIRED

TRANSMISSION I - MAIN SHAFT

990 SUPERDUKE R 2011

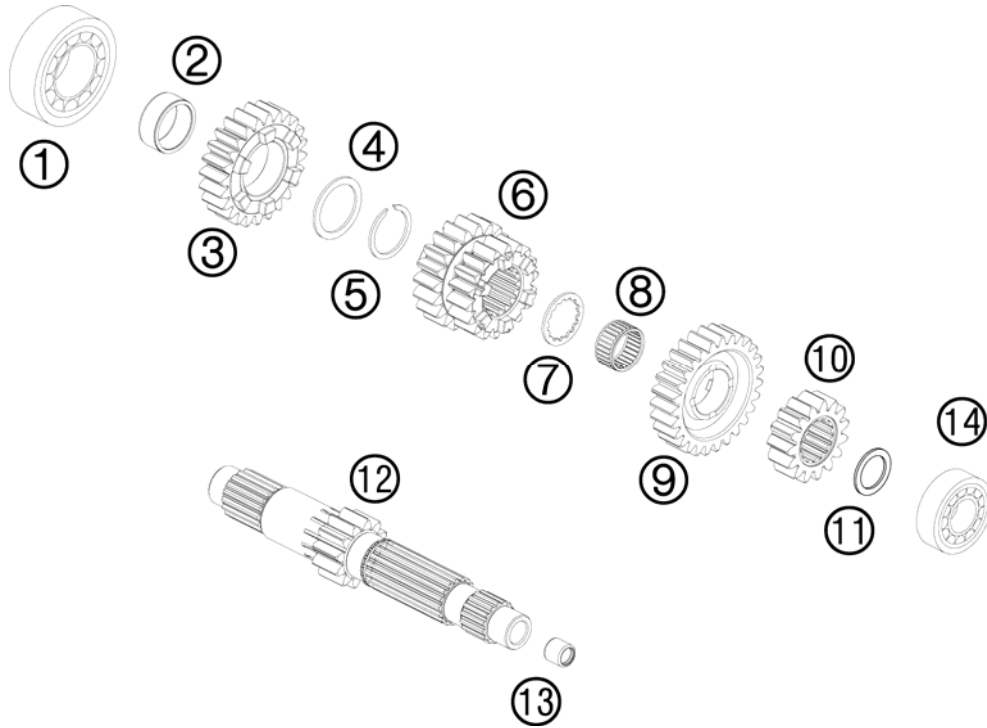


FIG	PART NUMBER	DESCRIPTION	QTY
1	0625062062	BALL BEARING 6206 C3 J1 NSK	1
2	0405263113	NEEDLE BEAR. K 26-31-13	1
3	61233105000	IDLER GEAR 5.G	1
4	61233042000	STOP DISK 27,9/35,75/1,5	1
5	60233050000	COPPER WASHER 25,5	1
6	61233103000	SLIDING GEAR 3./4. G	1
7	61233041000	STOP DISK 22,2/30,2/1,5	1
8	0405222613	NEEDLE BEAR. K 22X26X13 TN	1
9	61233106000	IDLER GEAR 6.G	1
10	61233102000	SOLID GEAR 2.G	1
11	60033040010	STOP DISK 20,2X28X1,0	x
11	60033040011	STOP DISK 20,2X28X1,1	x
11	60033040012	STOP DISK 20,2X28X1,2	x
11	60033040013	STOP DISK 20,2X28X1,3	x
11	60033040014	STOP DISK 20,2X28X1,4	x
11	60033040015	STOP DISK 20,2X28X1,5	x
11	60033040016	STOP DISK 20,2/28/1,6	x
11	60033040017	STOP DISK 20,2/28/1,7	x
11	60033040018	STOP DISK 20,2/28/1,8	x
11	60033040019	STOP DISK 20,2/28/1,9	x
11	60033040020	STOP DISK 20,2/28/2,0	x
11	60033040021	STOP DISK 20,2/28/2,1	x
11	60033040022	STOP DISK 20,2/28/2,2	x
12	61233101000	MAIN SHAFT 14T	1
13	0618091312	NEEDLE BUSH HK0912 9/13/12 03	1
14	0625062040	BALL BEARING 6204 DU J1 C3	1

106113331 / C116113331

* NEW PART

X AS REQUIRED

TRANSMISSION II - COUNTERSHAFT

990 SUPERDUKE R 2011

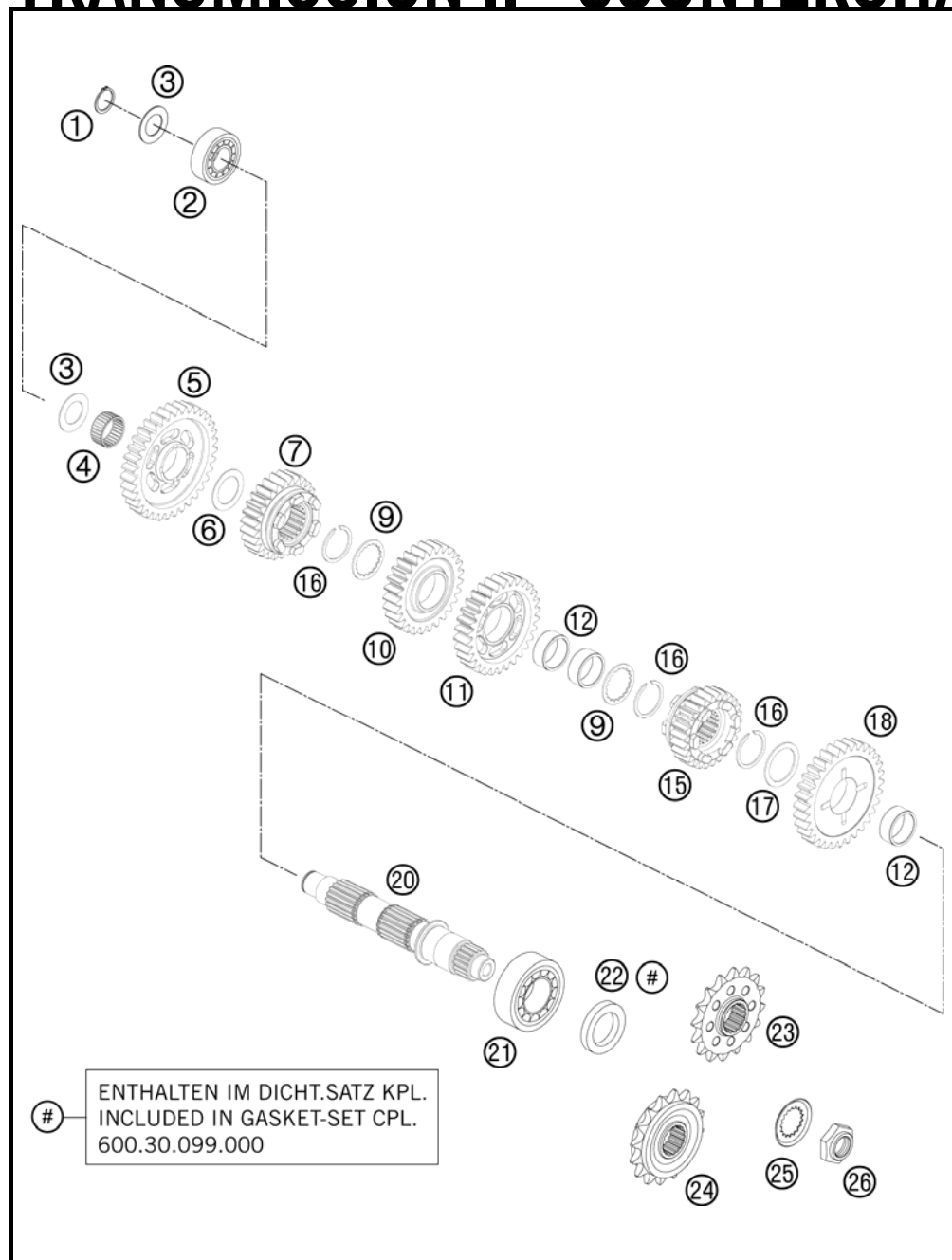


FIG	PART NUMBER	DESCRIPTION	QTY
1	0471200120	CIRCLIP DIN471 20X1,2	1
2	0625062040	BALL BEARING 6204 DU J1 C3	1
3	60033043000	STOP DISK 20,2 X 34 X 1	1
4	0405242813	NEEDLE BEAR. K 24X28X13 TN	1
5	61233111000	IDLER GEAR 1.G	1
6	60033044000	STOP DISK 24,3/35,75/1	1
7	61233115000	SLIDING GEAR 5.G	1
9	61233045000	STOP DISK 27/36/1,5	2
10	61233114000	IDLER GEAR 4.G	1
11	61233113000	IDLER GEAR 3.G	1
12	0405263113	NEEDLE BEAR. K 26-31-13	3
15	61233116000	SLIDING GEAR 6.G	1
16	60233051000	COPPER WASHER 27,5	3
17	61233046000	STOP DISK 29,9/39/1,5	1
18	61233112000	IDLER GEAR 2.G	1
20	60033110000	COUNTER SHAFT	1
21	50330082000	CYL.ROLLER BEAR.NJ206 ET2XCS46	1
22	0760304772	SH.SEAL RING 30X47X7 BSL VITON	1
23	60033029017	CHAIN SPROCKET 17-T 03	x
24	60033129016	CHAIN SPROCKET 16-T DAMP 03	1
24	60033129017	CHAIN SPROCKET 17-T DAMPED 03	x
25	60033034000	SECURING PLATE TOOTHED 03	1
26	60033035000	HEXAGON NUT M20X1,5 03	1

116113361 / C116113361

* NEW PART

X AS REQUIRED

SHIFTING MECHANISM

990 SUPERDUKE R 2011

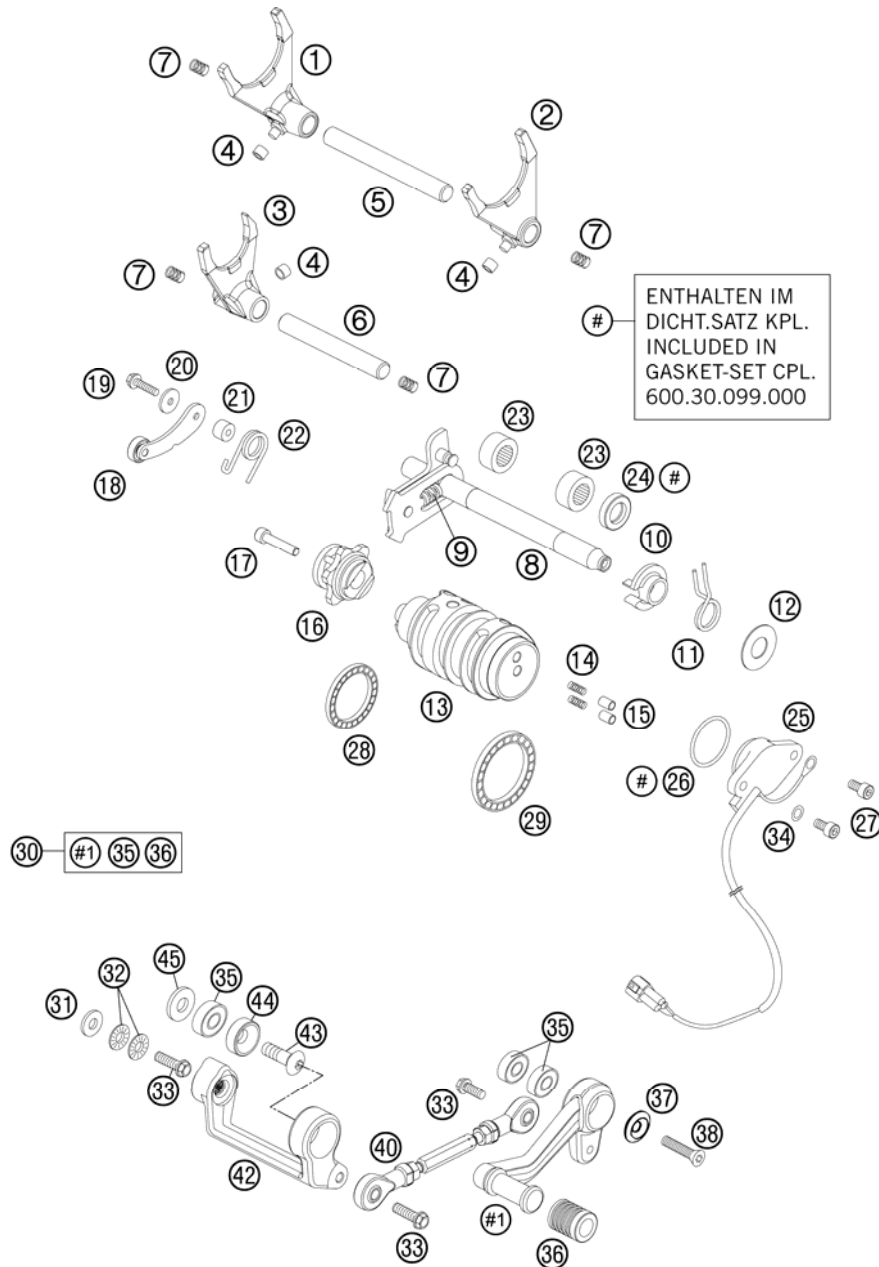


FIG	PART NUMBER	DESCRIPTION	QTY
1	60034001100	SHIFT FORK 1-4 GEAR	1
2	60034002100	SHIFT FORK 2-3 GEAR	1
3	60034003100	SHIFT FORK 5-6 GEAR	1
4	50334018100	SHIFTING ROLLER 6X8X5,2	3
5	59034020000	SHIFT RAIL 11,8X105MM	1
6	59034019000	SHIFT RAIL 11,8X89MM	1
7	58038023200	PRESSURE SPRING 0,9MM	4
8	60034005044	SHIFT SHAFT CPL. 03	1
9	56534013100	TENSIONING SPRING 0,8MM	1
10	54634020000	SPRING GUIDE	1
11	54634014100	RETURN SPRING 2,2MM '95	1
12	54634050000	STOP DISK 14X30X1	1
13	60034012300	SHIFT ROLLER CPL. 06	1
14	60034014000	CONTACT SPRING 03	2
15	60034037000	CONTACT BOLT 03	2
16	60034015044	SHIFT ARRESTING CPL. 03	1
17	0912060303	AH SCREW DIN0912-M 6X30	1
18	60034024044	ARRESTING LEVER CPL. 03	1
19	0025050206	HH COLLAR SCREW M5X20 TX30	1
20	03490000050	WASHER DIN7349-5X15X2	1
21	54634052300	SLEEVE FOR LOCKING LEVER	1
22	60034023000	ARRESTING LEVER SPRING 03	1
23	54632095000	NEEDLE BEAR.HK 1412 14X20X12	2
24	0760142460	SHAFT SEAL RING 14X24X6 B	1
25	60011023100	GEAR-POSITION SENSOR 06	1
26	0770275025	O-RING 27,5X2,5 NBR	1
27	0912050123	AH SCREW DIN0912-M 5X12	2
28	0625618050	BALL BEARING 61805 C3	1
29	0625068080	GROOVED BALL BEARING 6808 JRC3	1
30	6103403104433S	SHIFT LEVER CPL. BLACK 07	1
31	50232050001	STEEL WASHER 6,4X17X3	1
32	50233041000	PAIR OF WASHERS M 6 NORDLOCK	1
33	59009062019	SPECIAL SCREW M6X19 WS=8 10.9	3
34	0125050003	WASHER DIN0125-A 5,3	1
35	0625006087	GROOVED BALL BEAR. 608 2RS C3	3

116113411 / C116113411

* NEW PART

X AS REQUIRED

SHIFTING MECHANISM

990 SUPERDUKE R 2011

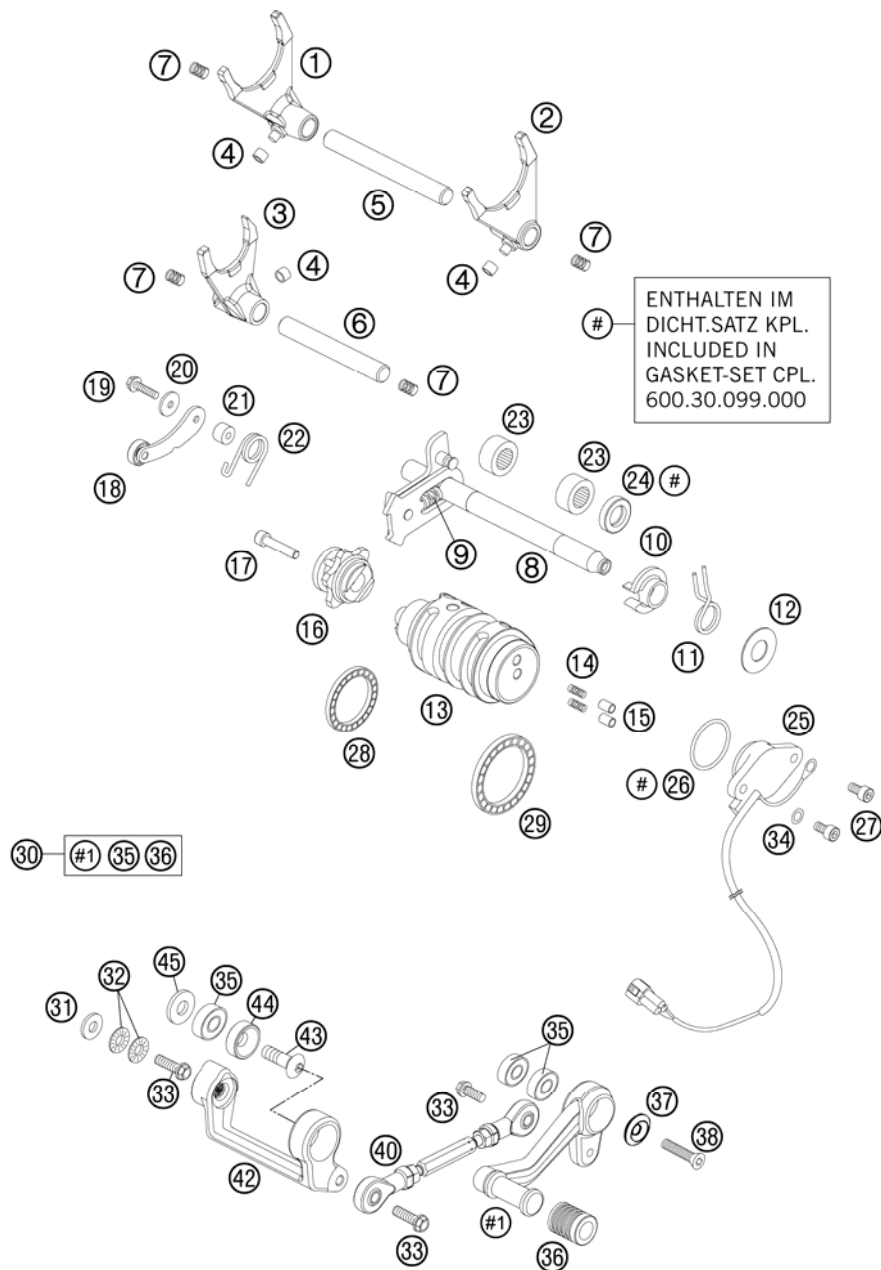


FIG	PART NUMBER	DESCRIPTION	QTY
36	61034035000	RUBBER FOR SHIFT LEVER 05	1
37	58303061100	SPECIAL WASHER ALU 8X24 MM ELO	1
38	61013059000	FLAT HEAD SCREW M8X32 SL 05	1
40	61034036044	SHIFT ROD CPL. 05	1
42	6103403000033S	RELAY LEVER BLACK 07	1
43	0019080266S	COUNTER-SUNK SCREW ISA45 M8X26	1
44	61034030050	WASHER COUNT. 8,5X21X7,804	1
45*	0125080003	WASHER DIN0125-A 8,4	1

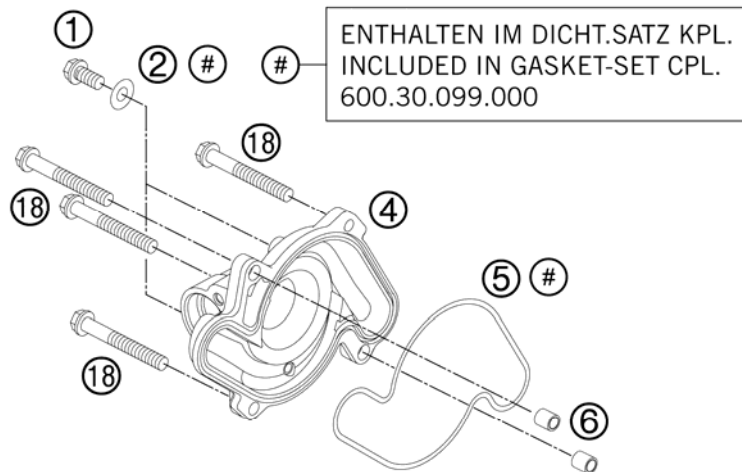
116113411 / C116113411

* NEW PART

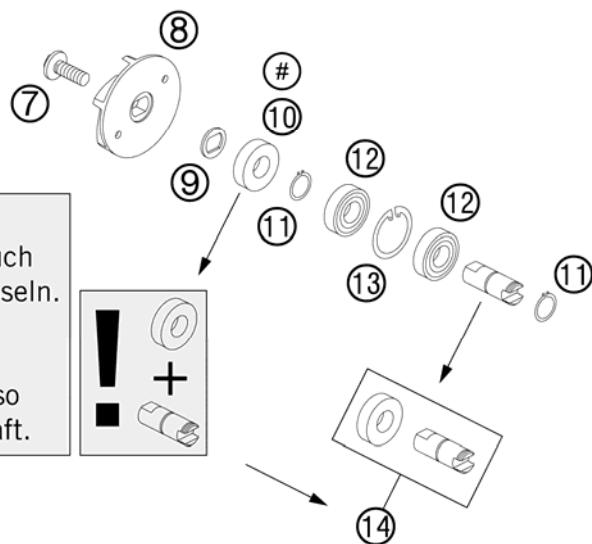
X AS REQUIRED

WATER PUMP

990 SUPERDUKE R 2011



ENTHALTEN IM DICHT.SATZ KPL.
INCLUDED IN GASKET-SET CPL.
600.30.099.000



ACHTUNG !!!
Mit dem Wellendichtring auch
die Wasserpumpenwelle wechseln.

CAUTION !!!
With the shaft seal ring also
change the water-pump shaft.

FIG	PART NUMBER	DESCRIPTION	QTY
1	0025060106	HH COLLAR SCREW M6X10 TX30	2
2	0603061001	CU-SEAL RING DIN7603-6X10X1	2
4	6003505210023	WATERPUMP COVER	1
5	60035053000	WATER-PUMP GASKET 03	1
6	59030023000	DOWEL 6X8X11,5	2
7	0024060156	HH COLLAR SCREW M6X15 TX30	1
8	61235055000	WATER PUMP ROTOR 08	1
9	60035055150	FORM WASHER 16X1 NIRO 03	1
10	0760123073	SHAFT SEAL RING 12X30X7 PTFE DOUBLE-LIP	1
11	0471120010	CIRCLIP DIN0471-12X1	2
12	0625069010	GROOVED BALL BEARING 6901V C3	2
13	0472240120	CIRCLIP DIN472 D=24X1,2	1
14	61135054044	WATER PUMP SHAFT W. SEAL RING INCL. SHAFT SEAL RING	1
18	0025060606	HH COLLAR SCREW M6X60 TX30	4

116113511 / C116113511

* NEW PART

X AS REQUIRED

COOLING SYSTEM

990 SUPERDUKE R 2011

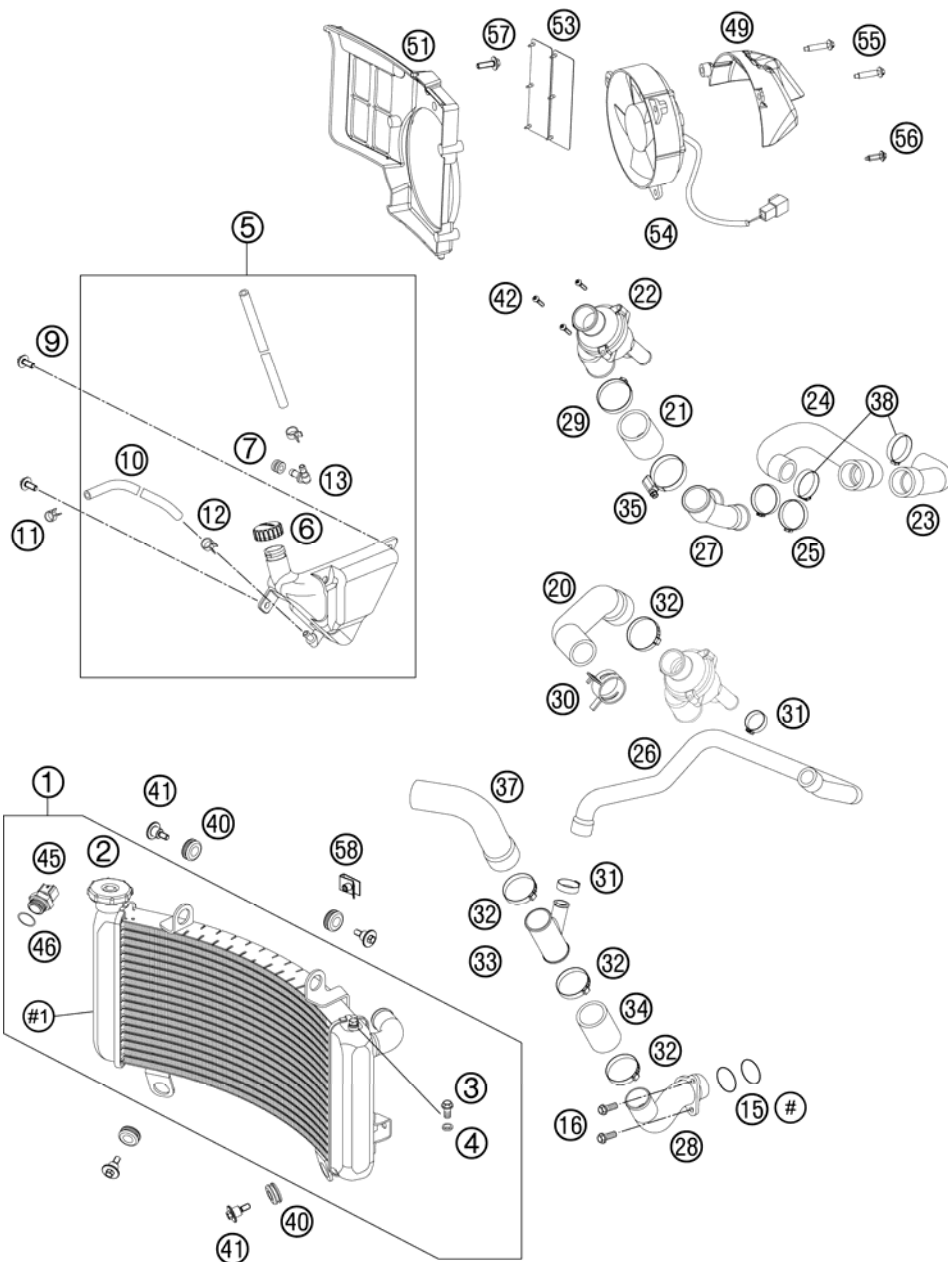


FIG	PART NUMBER	DESCRIPTION	QTY
1	61035110000	RADIATOR 990 DUKE 09	1
2	61035016000	RADIATOR CAP 990 DUKE 05	1
3	0025060106	HH COLLAR SCREW M6X10 TX30	1
4	60035048000	ALU-GASKET 6X10X1.5	1
5	61035065000	EXPANSION TANK CPL. 05	1
6	60035066000	PLUG F. EXPANSION TANK	1
7	58214069051	RUBBER GROMMET 16X10,8X3 02	1
9	0024060156	HH COLLAR SCREW M6X15 TX30	2
10	60035067001	HOSE 6X10 EPDM 03	x
11	50231005000	HOSE CLAMP YDNAC 10119 11MM	1
12	58007117000	YDNAC-CLAMP 10107 10MM	2
13	60035068000	ANGLE CONNECTION EXPANS. TANK	1
15	0770280030	O-RING 28,00X3,00 NBR 08	2
16	0025060606	HH COLLAR SCREW M6X60 TX30	2
20	61135028000	PREF. HOSE THERM./COOLER 08	1
21	61135028040	PREF. HOSE THERM./CYL. L=40 08	1
22	61135013044	THERMOSTAT CPL.	1
23	61135026000	PREF. HOSE THERM./CYL. REAR 08	1
24	61135027000	PREF. HOSE THERM./CYL.FRONT 08	1
25	00050346706	VARIABLE ONE-EAR CLAMP 34,6MM	2
26	61135025000	PREFORMED HOSE BYPASS 08	1
27	61135029000	Y-CONNECT. PIECE THERM./CYL 08	1
28	61135021000	PIPE WAPU 28X1,5 CPL. 08	1
29	00050396706	VARIABLE ONE-EAR CLAMP 39,6MM	1
30	00049320121	CLAMP STD DN32	2
31	00050226706	VARIABLE ONE-EAR CLAMP 22,6MM	2
32	00050381706	VARIABLE ONE-EAR CLAMP 38,1MM	4
33	61135023000	Y-CONNECTING PIECE WAPU BYPASS	1
34	61135024040	RADIATORHOSE RADIATOR/WAPU 08	1
35	10001120000	% CLAMP 25-40 SGT 4	1
37	61135024000	PREFORMED HOSE COOLER/WAPU 08	1
38	00050316706	VARIABLE ONE-EAR CLAMP 31,6MM	2
40	41001052000	RUBBER SLEEVE D=12MM	4
41	60035001000	SPECIAL SCREW M6X21 WS=8	4
42	0016040183	SCREW FOR PLASTIC D=4X18	3

116113531 / C116113531

* NEW PART

X AS REQUIRED

COOLING SYSTEM

990 SUPERDUKE R 2011

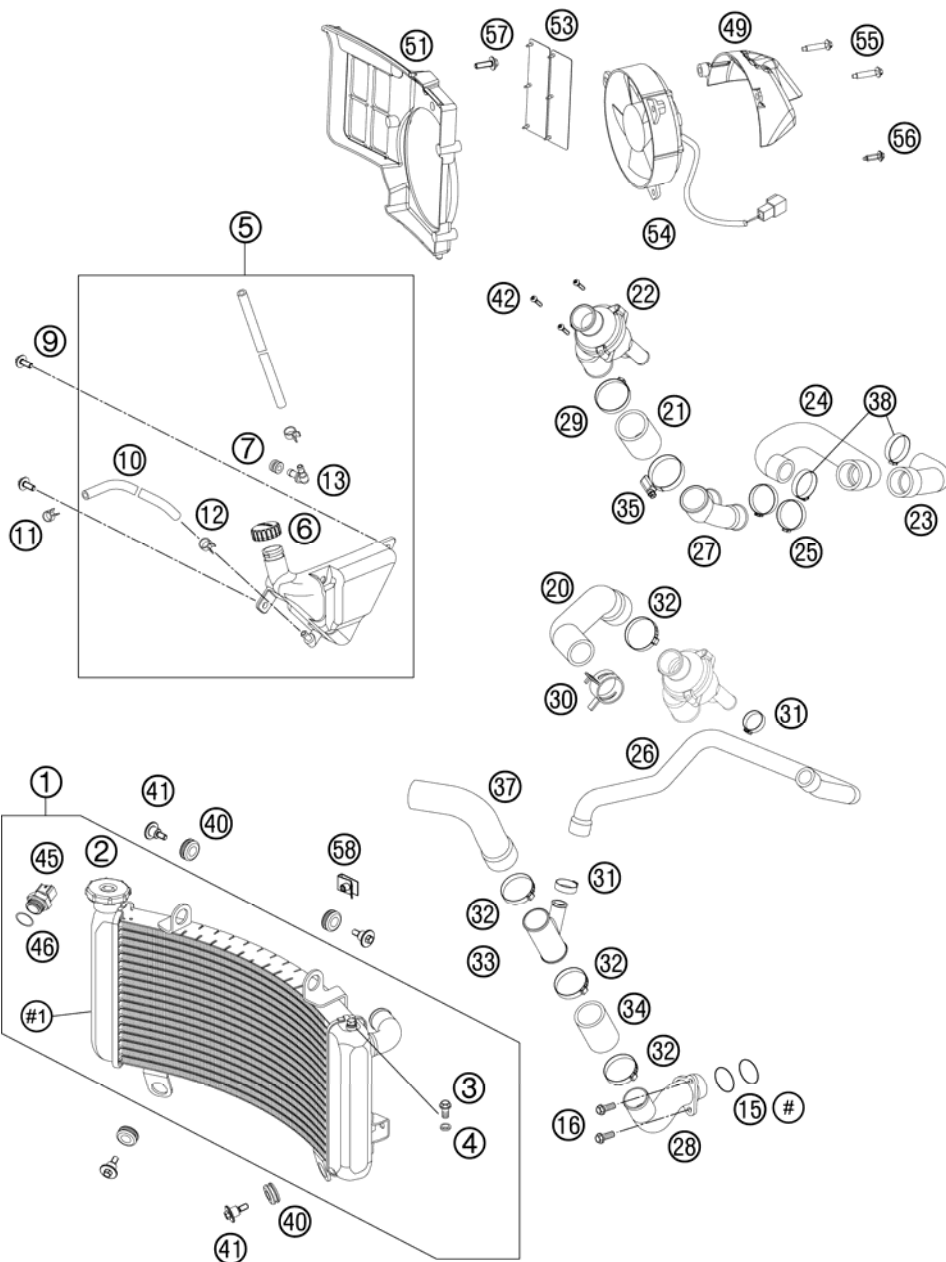


FIG	PART NUMBER	DESCRIPTION	QTY
45	60035045000	THERMOSWITCH LC8 102DG '03	1
46	0770017015	O-RING 17X1,5 NB75	1
49	61035044050	FAN CAP 05	1
51	60035044000	FAN COWL L/S 03	1
53	62635044050	FAN CLACK RUBBER 08	2
54	60035041000	FAN L/S 03	1
55	0017060303	SPECIAL SCREW T60 6X30 WS=6	2
56	0017060203	EJOT PT SCREW K60X20 WS=6	1
57	0024060206	HH COLLAR SCREW M6X20 TX30	1
58	54603048100	RANGE CHANGE METAL NUT M6	3

116113531 / C116113531

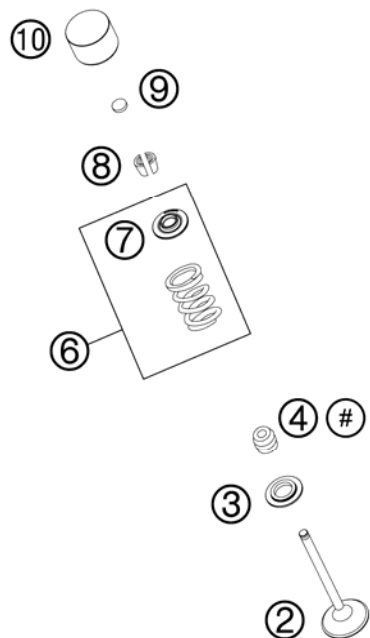
* NEW PART

X AS REQUIRED

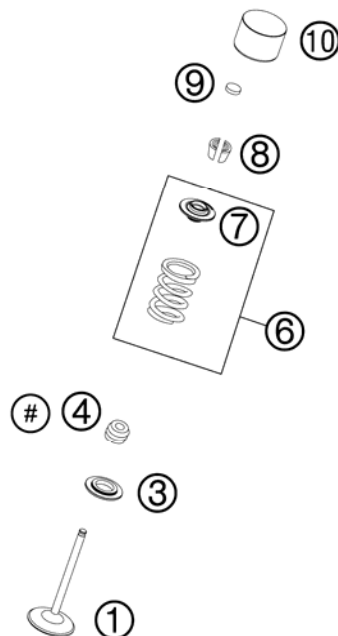
VALVE DRIVE

990 SUPERDUKE R 2011

EXHAUST



INTAKE



ENTHALTEN IM DICHTUNGSSATZ KPL.
INCLUDED IN GASKET-SET CPL.
600.30.099.000
ENTHALTEN IM DICHT.SATZ ZYL.KOPF
INCLUDED IN GASKET-SET CYL. HEAD
600.30.097.000

FIG	PART NUMBER	DESCRIPTION	QTY
1	61136030000	INTAKE VALVE D41	4
2	61136031100	EXHAUST VALVE	4
3	61136036000	SPRING RETAINER	8
4	59036027000	VALVE-STEM SEALING RACING	8
6	61236028100	VALVE SPRING NHK	8
7*	61236032200	VALVE SPRING PLATE	8
8	78036033000	VALVE COLLET LK 6H	16
9	60036035200	SHIM D=10/2,00	03
9	60036035205	SHIM D=10/2,05	03
9	60036035210	SHIM D=10/2,10	03
9	60036035215	SHIM D=10/2,15	03
9	60036035220	SHIM D=10/2,20	03
9	60036035225	SHIM D=10/2,25	03
9	60036035230	SHIM D=10/2,30	03
9	60036035235	SHIM D=10/2,35	03
9	60036035240	SHIM D=10/2,40	03
9	60036035245	SHIM D=10/2,45	03
9	60036035250	SHIM D=10/2,50	03
9	60036035255	SHIM D=10/2,55	03
9	60036035260	SHIM D=10/2,60	03
9	60036035265	SHIM D=10/2,65	03
9	60036035270	SHIM D=10/2,70	03
9	60036035275	SHIM D=10/2,75	03
9	60036035280	SHIM D=10/2,80	03
9	60036035285	SHIM D=10/2,85	03
9	60036035290	SHIM D=10/2,90	03
9	60036035295	SHIM D=10/2,95	03
9	60036035300	SHIM D=10/3,00	03
9	60036035305	SHIM D=10/3,05	03
9	60036035310	SHIM D=10/3,10	03
9	60036035315	SHIM D=10/3,15	03
9	60036035320	SHIM D=10/3,20	03
10	61036034000	BUCKET TAPPET	05

116113611 / C116113611

* NEW PART

X AS REQUIRED

TIMING DRIVE

990 SUPERDUKE R 2011

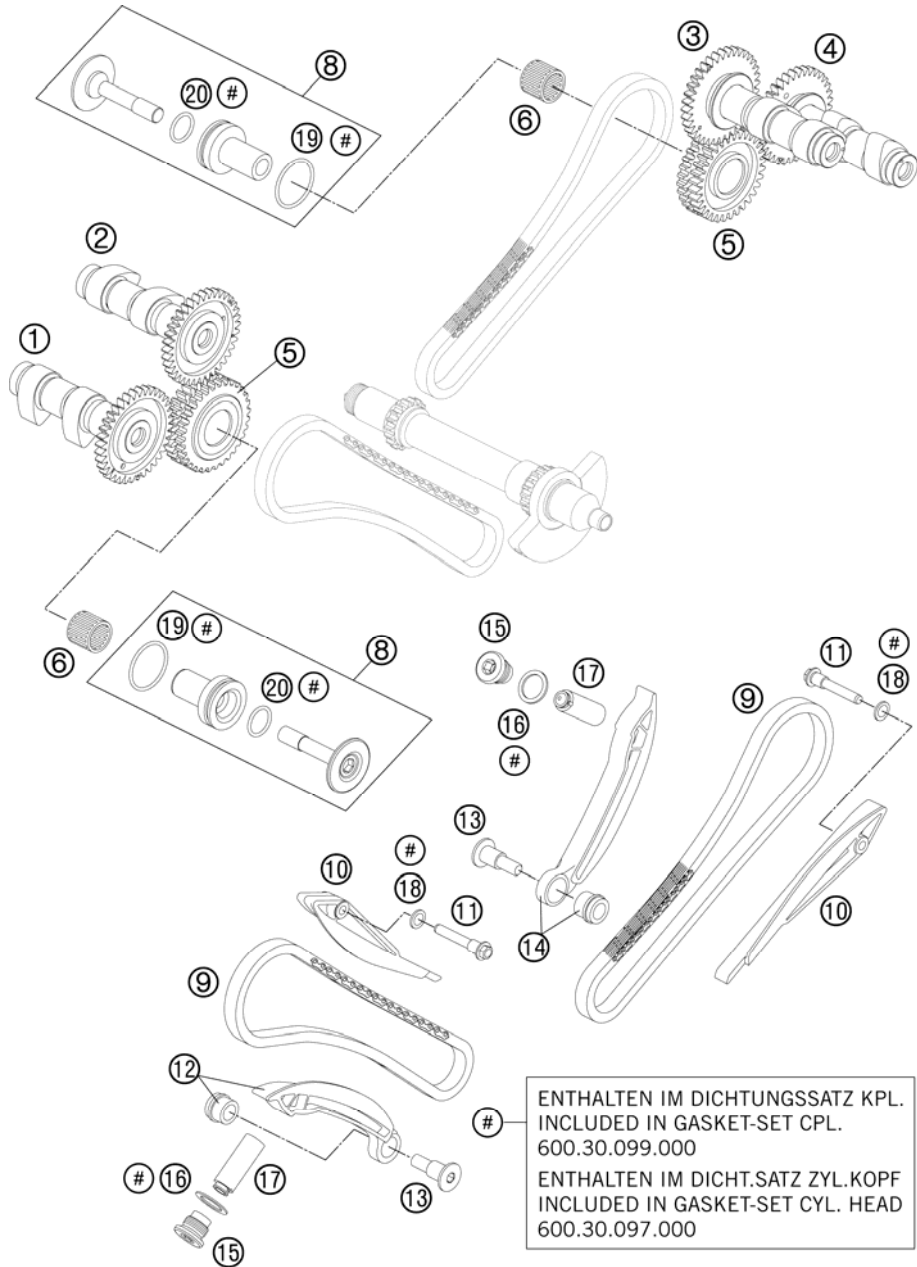


FIG	PART NUMBER	DESCRIPTION	QTY
1	61136010000	CAMSHAFT OUTLET FRONT	1
2	61136009000	CAMSHAFT INTAKE FRONT	1
3	61136109000	CAMSHAFT INTAKE REAR	1
4	61136110000	CAMSHAFT OUTLET REAR	1
5	60036070000	TIMING GEARS 32-T CPL. 03	2
6	0405182420	NEEDLE BEARING K18/24/20	2
8	60036071100	BEARING BOLT	2
9	60036013000	TOOTH CHAIN 88 LINK 6,35PITCH	2
10	60036001000	GUIDE RAIL 03	2
11	60036002160	SPECIAL SCREW M8X29 WS=8	2
12	60036002000	TENSIONER RAIL CPL. FRONT 03	1
13	60036002150	SPECIAL SCREW M8X29 WS=6	2
14	60036102000	TENSIONER RAIL CPL. REAR 03	1
15	60036008000	SCREW PLUG M16X1,5 03	2
16	0603162013	CU SEAL-RING DIN7603 16X20X1,3	2
17	60036003000	TIMING-CH.TENS. HYDR.(75YM) 03	2
18	0603082121	SEAL RING CU DIN7603- 8X12X1	2
19	0770290020	O-RING 29X2 VITON	2
20	0770160021	O-RING 16,00X2,00 VITON	2

116113621 / C116113621

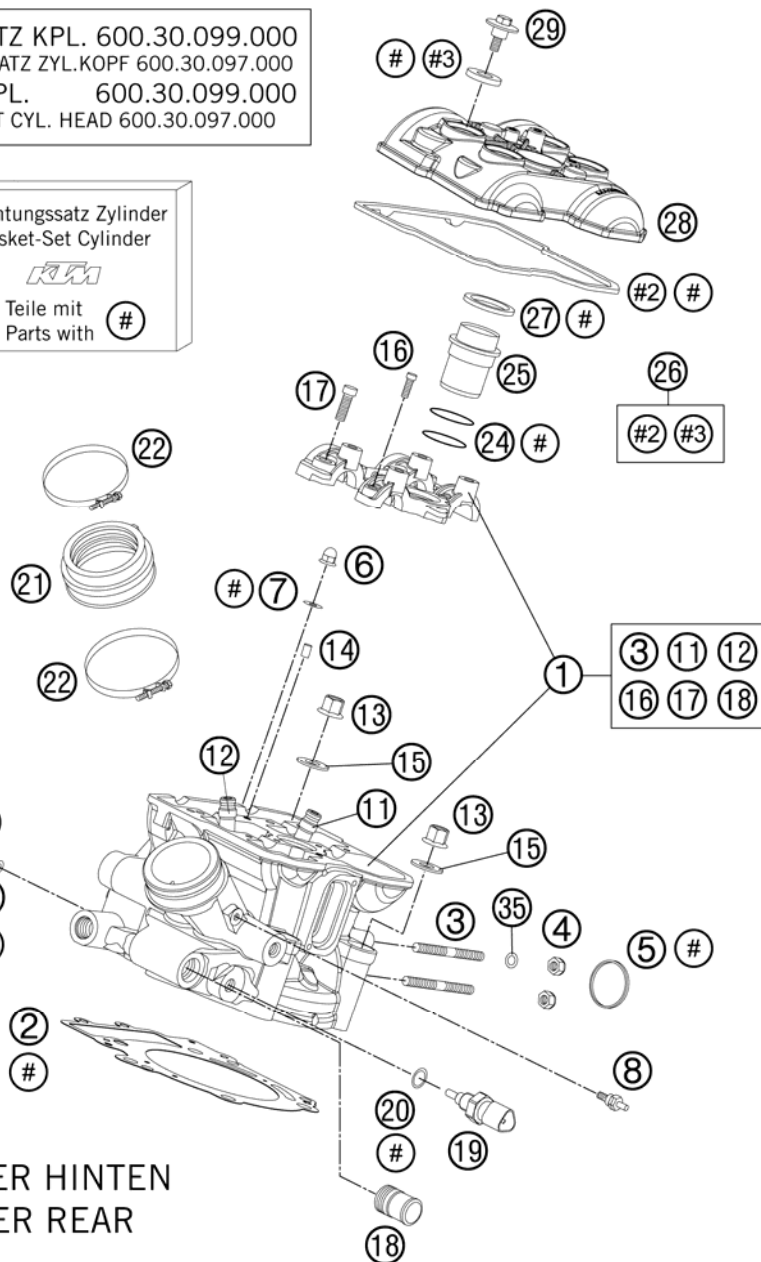
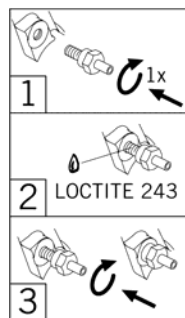
* NEW PART

X AS REQUIRED

CYLINDER HEAD REAR

990 SUPERDUKE R 2011

DICHTUNGSSATZ KPL. 600.30.099.000
 ENTHÄLT DICHT.SATZ ZYL.KOPF 600.30.097.000
 GASKET-SET CPL. 600.30.099.000
 INCL. GASKET-SET CYL. HEAD 600.30.097.000



ZYLINDER HINTEN
 CYLINDER REAR

FIG	PART NUMBER	DESCRIPTION	QTY
1	6113612014423	CYLINDER HEAD CPL. REAR 08	1
2	60030036000	CYLINDER HEAD GASKET 0,5 101MM	1
3	0835080256	STUD DIN0835-M 8X25 10.9	2
4	51010086100	SELF LOCKING NUT M 8 CU	2
5	61005005000	EXHAUST GASKET 05	1
6	61230045000	CAP NUT M6 STAINLESS STEEL	2
7	0125060003	WASHER DIN0125-A 6,4	2
8	61036023100	VACUUM CONECTION 2006	1
9	0025060083	COLLAR SCREW M6X8 TX	1
10	0603061001	CU-SEAL RING DIN7603-6X10X1	1
11	61136026001	VALVE GUIDE OUTLET	2
12	61136025001	VALVE GUIDE OUTTAKE	2
13	60036078200	COLLAR NUT M 10 WS=13 05	4
14	0402050980	NEEDLE ROLLER DIN5402 5X9,8	2
15	60036078050	SHIM 10,2X19X1,5MM 05	4
16	0912060255	AH SCREW DIN0912-M 6X25 10.9	4
17	0984080305	AH SCREW DIN7984-M 8X30 10.9	4
18	61135019000	WATER CONNECTION	1
19	75035047000	TEMPERATURE SENSOR WATER 07	1
20	0770100020	O-RING 10,00X2,00 SILCONE	1
21	61136044000	RUBBERSLEEVE INTAKE FLANGE	1
22	61236048000	HOSE CLAMP GEMI 66 / 1	2
23	60036023100	VACUUM CONECTION M6/0,5MM USA ONLY	1
24	0770298178	O-RING 29,87X1,78 VITON	2
25	61136075100	INSERT SPARK-PLUG SHAFT	1
26	61136099000	VALVE COVER GASKET SET FR+RR	1
27	61136075050	GASKET SPARK-PLUG SHAFT	2
28	6113615200023	VALVE COVER REAR 09	1
29	60036052020	COLLAR SCREW M 6 WS=10 03	4
35	61005009000	SPACER BUSH. 8,5X15X7,5 05	1
99	60030097000	GASKET SET CYL. HEAD KPL. 03 CYLINDER FRONT + REAR	1

116113641 / C116113641

* NEW PART

X AS REQUIRED

CYLINDER HEAD FRONT

990 SUPERDUKE R 2011

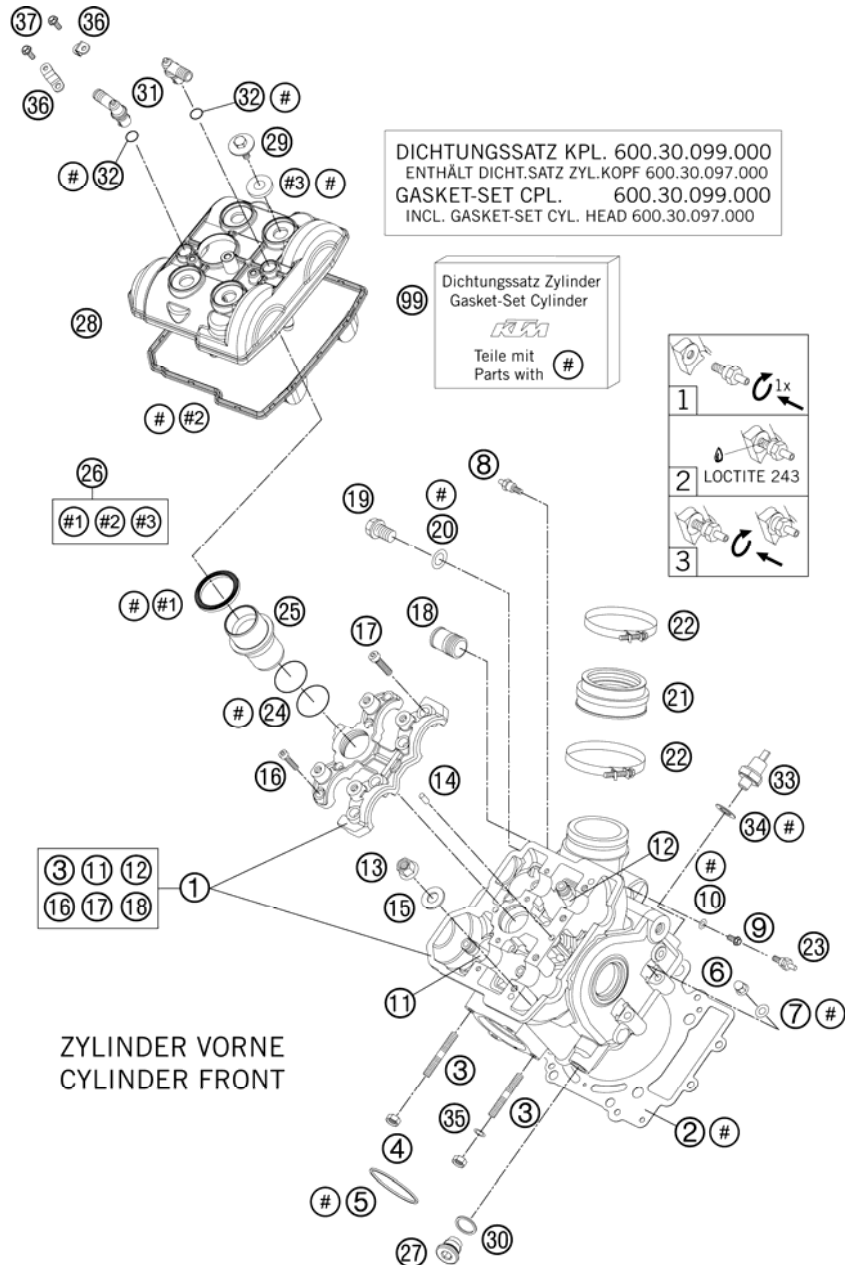


FIG	PART NUMBER	DESCRIPTION	QTY
1	6113602014423	CYLINDER HEAD CPL. FRONT 08	1
2	60030036000	CYLINDER HEAD GASKET 0,5 101MM	1
3	0835080256	STUD DIN0835-M 8X25 10.9	2
4	51010086100	SELF LOCKING NUT M 8 CU	2
5	61005005000	EXHAUST GASKET 05	1
6	61230045000	CAP NUT M6 STAINLESS STEEL	2
7	0125060003	WASHER DIN0125-A 6,4	2
8	61036023100	VACUUM CONECTION 2006	1
9	00250600083	COLLAR SCREW M6X8 TX	1
10	0603061001	CU-SEAL RING DIN7603-6X10X1	1
11*	61136026001	VALVE GUIDE OUTLET	2
12*	61136025001	VALVE GUIDE OUTTAKE	2
13	60036078200	COLLAR NUT M 10 WS=13 05	4
14	0402050980	NEEDLE ROLLER DIN5402 5X9,8	2
15	60036078050	SHIM 10,2X19X1,5MM 05	4
16	0912060255	AH SCREW DIN0912-M 6X25 10.9	4
17	0984080305	AH SCREW DIN7984-M 8X30 10.9	4
18	61135019000	WATER CONNECTION	1
19	0908120153	PLUG DIN0908-M12X1,5	1
20	58038022000	CU-SEAL RING DIN7603-12X18X1,5	1
21	61136044000	RUBBERSLEEVE INTAKE FLANGE	1
22	61036048000	HOSE CLAMP GEMI 66MM 05	2
23	60036023100	VACUUM CONECTION M6/0,5MM USA ONLY	1
24	0770298178	O-RING 29,87X1,78 VITON	2
25	61136075100	INSERT SPARK-PLUG SHAFT	1
26	60036099000	VALVE COVER GASKET SET FR+RR	1
27	60036008000	SCREW PLUG M16X1,5 03	1
28	60036052000	VALVE COVER FRONT 03	1
29	60036052020	COLLAR SCREW M 6 WS=10 03	4
30	0603162013	CU SEAL-RING DIN7603 16X20X1,3	1
31	60038082000	ANGLE CONNECTOR LC8 03	2
32	0770080020	O-RING 8X2 SILICONE	2
33	60038091100	OIL-PRESSURE SWITCH LC8 04	1
34	0603100141	COPPER GASKET DIN7603-10X14X1	1

116113651 / C116113651

* NEW PART

X AS REQUIRED

CYLINDER HEAD FRONT

990 SUPERDUKE R 2011

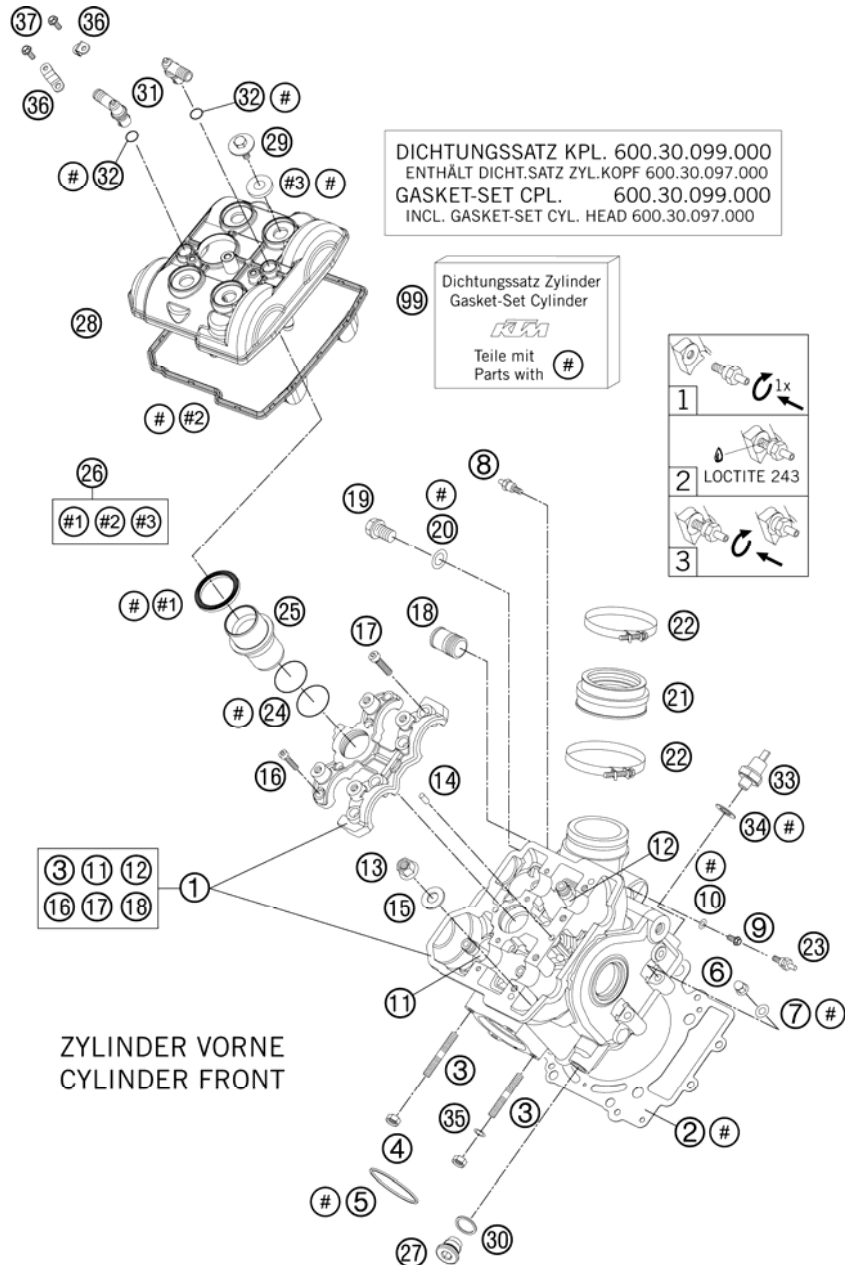


FIG	PART NUMBER	DESCRIPTION	QTY
35	61005009000	SPACER BUSH. 8,5X15X7,5 05	1
36	60038082050	%ANGLE CONNECTOR BRACKET PANEL	2
37*	0009050106	EJOT SPIRAL SCREW SF M5X10-K	2
99	60030097000	GASKET SET CYL. HEAD KPL. 03 CYLINDER FRONT + REAR	1

116113651 / C116113651

* NEW PART

X AS REQUIRED

LUBRICATING SYSTEM

990 SUPERDUKE R 2011

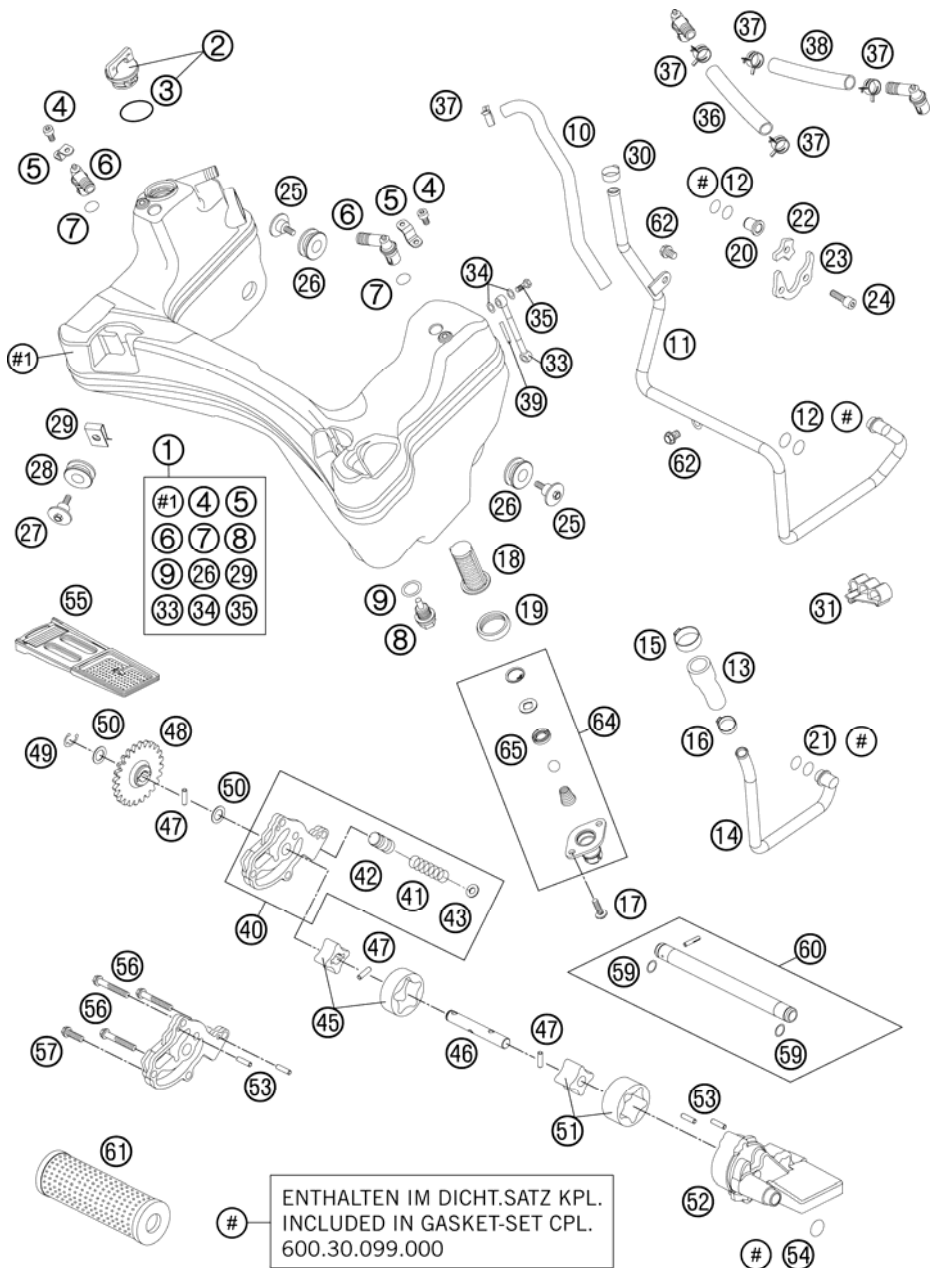


FIG	PART NUMBER	DESCRIPTION	QTY
1	61038081233	OIL TANK CPL.	1
2	58030020100	PLUG CPL. M24X3	1
3	0770191015	O-RING 19,00X3,00 NBR	1
4	0912050103	AH SCREW DIN0912-M 5X10	2
5	69006015050	BRACKET F. EFI-PLUG	2
6	60038082000	ANGLE CONNECTOR LC8	03
7	0770080020	O-RING 8X2 SILICONE	2
8	58030021000	OILDRAIN PLUG W.MAG. M 12X1,5	1
9	58038022000	CU-SEAL RING DIN7603-12X18X1,5	1
10	60038061203	PREFORMED HOSE D9X3,5	1
11	60038061044	OIL PIPE "B"	1
12	0770090021	O-RING 9X2 VITON	4
13	61038034000	OIL HOSE PIPE A	05
14	60038060044	OIL PIPE "A"	1
15	00050226706	VARIABLE ONE-EAR CLAMP 22,6MM	1
16	00050198706	VARIABLE ONE-EAR CLAMP 19,8MM	1
17	0025060166	HH COLLAR SCREW M6X16 TX30	2
18	60038017000	OIL SCREEN FINISHED	03
19	60038018000	GASKET FOR OIL FILTER HNBR	03
20	60038024000	PLUG 10MM LC8	03
21	0770110021	O-RING 11X2 VITON	2
22	60038037000	RETAINING PLATE 2 LC8	03
23	60038036000	RETAINING PLATE 1 LC8	03
24	0912060203	AH SCREW DIN0912-M 6X20	3
25	60038083000	SCREW OIL TANK FIXING	03
26	54605068000	EXHAUST BRACKET RUBBER BLACK	3
27	60035001000	SPECIAL SCREW M6X21 WS=8	2
28	41001052000	RUBBER SLEEVE D=12MM	2
29	54603048100	RANGE CHANGE METAL NUT M6	2
30	00050185706	VARIABLE ONE-EAR CLAMP 18,5MM	1
31	61011093000	WIRING HOLDER	05
33	61038084100	OIL RISING PIPE CPL.	1
34	0603082121	SEAL RING CU DIN7603- 8X12X1	4
35	58038029000	BANJO BOLT M8X1	2
36	60038059130	OIL TANK BREATHING HOSE R/S	1

116113810 / C116113810

* NEW PART

X AS REQUIRED

LUBRICATING SYSTEM

990 SUPERDUKE R 2011

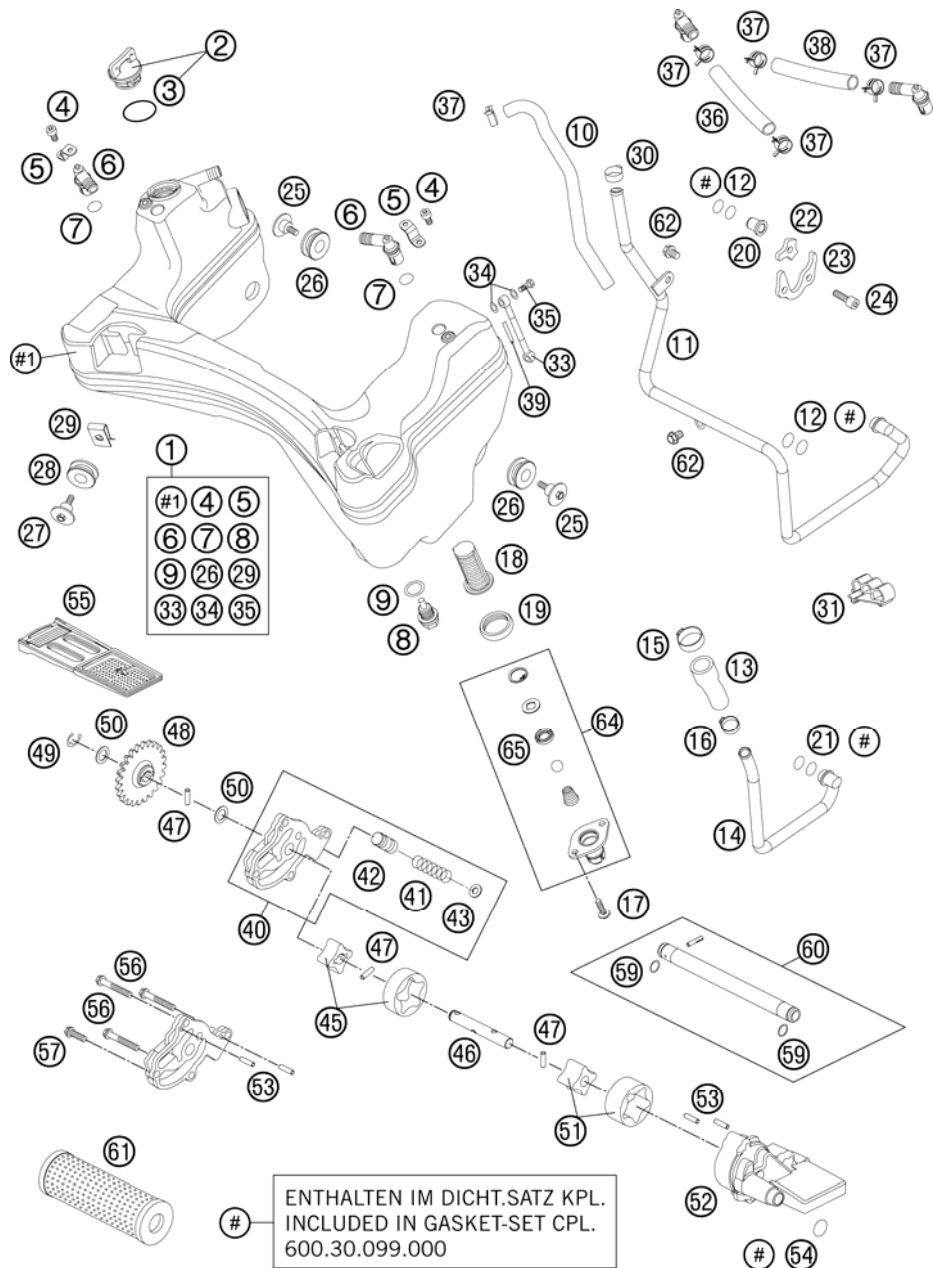


FIG	PART NUMBER	DESCRIPTION	QTY
37	00049160121	CLAMP STD DN16	5
38	60038059083	OIL TANK BREATHING HOSE L/S	1
39	61038085000	STICKER "OIL LEVEL" 05	1
40	60038010133	PRESSURE PUMP HOUSING CPL. 10	1
41	60038026000	CONTROL SPRING LC8 3,5 BAR	1
42	60038028000	CONTROL PISTON LC8 03	1
43	50337073000	SHIM	1
45	60038011000	ROTOR-SET PRESSURE PUMP 03	1
46	60038002000	OIL PUMP SHAFT 03	1
47	0402041580	NEEDLE ROLLER NRB 4X15,8 G2	3
48	60038001124	OIL PUMP GEAR 24-T	1
49	0799080000	TAB WASHER DIN6799 RS8	1
50	60038007010	WASHER 10X16X0,5 03	2
51	60038009000	ROTOR-SET 19MM 03	1
52	60038008000	SUCTION PUMP CASE 03	1
53	0402040980	NEEDLE ROL.DIN5402 NRB 4X9,8	4
54	0770133024	O-RING 13,3X2,4 VITON	1
55	60038016000	OIL SCREEN 03	1
56	0025060406	HH COLLAR SCREW M6X40 TX30	3
57	0025060206	HH COLLAR SCREW M6X20 TX30	1
59	0770010010	O-RING 10,00X1,00 NBR 70 SH	2
60	60030065100	OIL INJECTION TUBE GEAR 05	1
61	60038015000	OIL FILTER 03	1
62	0025060106	HH COLLAR SCREW M6X10 TX30	2
64	60038060102	OIL TANK VALVE CPL.	1
65	0760101842	SHAFT SEAL R.10X18X4 B-VITON	1

116113810 / C116113810

* NEW PART

X AS REQUIRED

IGNITION SYSTEM

990 SUPERDUKE R 2011

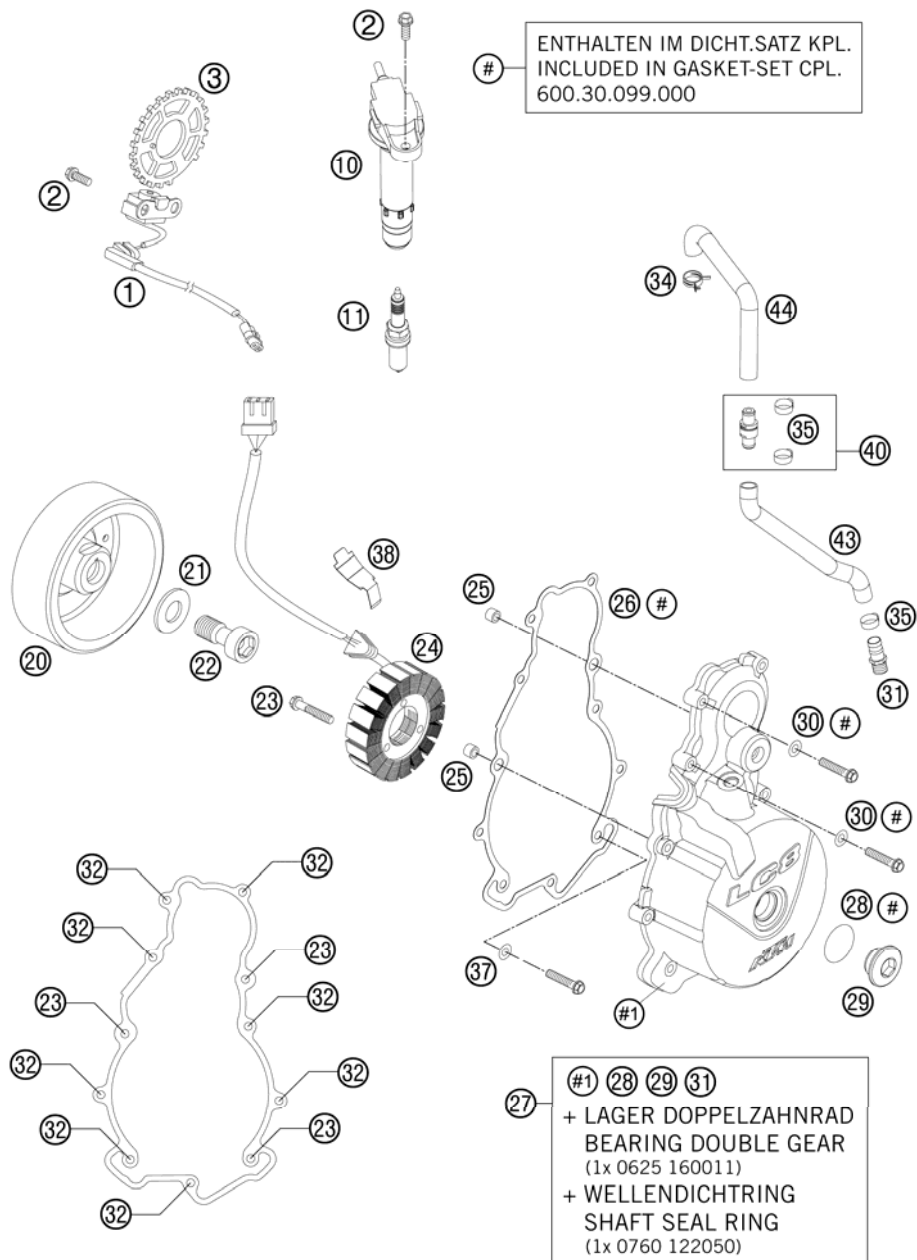


FIG	PART NUMBER	DESCRIPTION	QTY
1	60039034100	PULSE GENERATOR LC8 04	1
2	0025060166	HH COLLAR SCREW M6X16 TX30	4
3	61039020000	COIL SPROCKET 22Z O. CYL. PIN	1
10	61139006000	STICK-COIL	2
11	75039093000	SPARK PLUG M12X1,25 LKAR8AI-9	2
20	60039005100	IGNITION ROTOR 04 INCL. FREEWHEEL	1
21	60039040010	WASHER 17X32X4 03	1
22	60039003100	AH EXPAND. SCREW M16X1,5 05	1
23	0025060356	HH COLLAR SCREW M6X35 TX30	6
24	60039004000	STATOR 03	1
25	49030090000	DOWEL 9,8 X 7 X 10	2
26	60030040100	IGNIT. COVER GASK. MATRI. CS0,5MM	1
27	6003000214423	IGNITION COVER CPL. 06	1
28	07700240251	O-RING 24X2,5 VITON	1
29	6003009400023	SCREW PLUG M24X1,5 PA 6.6	1
30	0603061001	CU-SEAL RING DIN7603-6X10X1	2
31	60030022000	VENTILATION CONNECTOR M16X1,5	1
32	0025060306	HH COLLAR SCREW M6X30 TX30	8
34	00049220121	CLAMP STD DN22	1
35	00050226706	VARIABLE ONE-EAR CLAMP 22,6MM	3
37	0125060003	WASHER DIN0125-A 6,4	1
38	60039040020	CABLE SUPPORT GENERATOR 03	1
40	60030090344	BACK-PRESSURE VALVE CPL.	1
43	60030087101	ENGINE BREATHER HOSE BOTTOM	1
44	60030087102	ENGINE BREATHER HOSE TOP	1

116113912 / C116113912

* NEW PART

X AS REQUIRED

ELECTRIC STARTER

990 SUPERDUKE R 2011

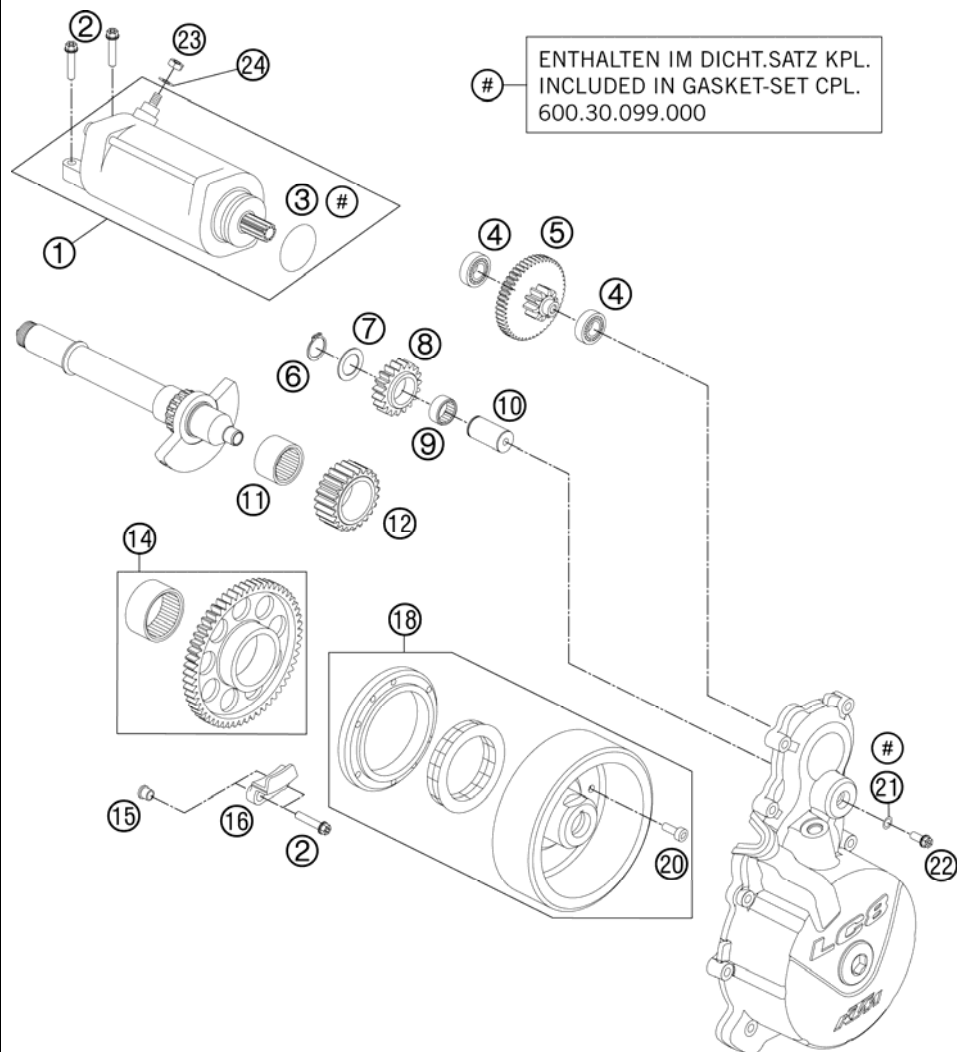


FIG	PART NUMBER	DESCRIPTION	QTY
1	60040001000	E-STARTER ENGINE CPL. LC8-E 03	1
2	0025060256	HH COLLAR SCREW M6X25 TX30	4
3	0770335030	O-RING 33,5X3 VITON	1
4	0625160011	GROOV.BALL BEAR. 16001 JRX C3	2
5	60040017000	TORQUE LIMITER	1
6	0471170010	CIRCLIP DIN0471-17X1	1
7	50333041000	STOP DISC 17,2X26X1 B	1
8	60040022219	IDLER GEAR 1 19Z	1
9	0405172110	NEEDLE BEARING K 17X21X10	1
10	60040023100	BEARING BOLT	1
11	0618253220	NEEDLE BUSH HK2520 25/32/20 02	1
12	60040022023	IDLER GEAR 2 23-T 03	1
14	60040020000	FREEWHEEL GEAR WH. 57-T CPL.03	1
15	60040027050	SUPPORTING SLEEVE 03	2
16	60040027000	FREEWHEEL HOLDER 03	1
18	60039005100	IGNITION ROTOR 04 INCL. FREEWHEEL	1
20	0984060166	AH SCREW DIN6912 M6X16 10.9	6
21	0603061001	CU-SEAL RING DIN7603-6X10X1	1
22	0025060166	HH COLLAR SCREW M6X16 TX30	1
23	0985060003	SELF LOCK. NUT DIN0985-M 6	1
24	0125060003	WASHER DIN0125-A 6,4	1

116114010 / C116114010

* NEW PART

X AS REQUIRED

THROTTLE BODY

990 SUPERDUKE R 2011

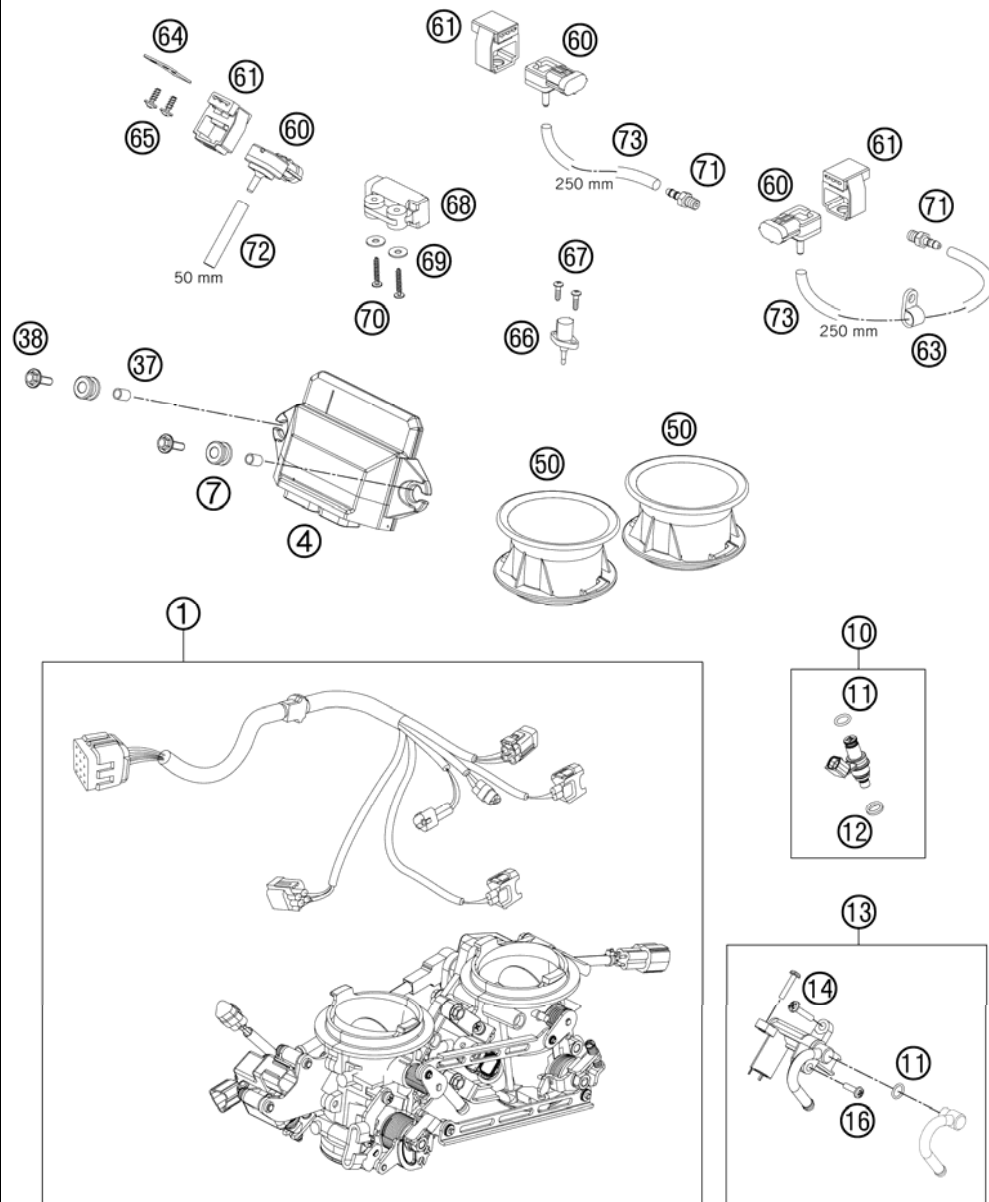


FIG	PART NUMBER	DESCRIPTION	QTY
1	61241001000	THROTTLE BODY CPL. DK52	1
4	61041031200	TIMING CHARGER EFI 08	1
7	60039030000	VIBRATION DAMPER DIGITALBOX 03	2
10	61241023044	INJECTOR CPL.	2
11	75041023020	O-RING	3
12	75041023010	SEAL RING	2
13	61241013044	FUEL HOSE CPL.	1
14	75041013060	SCREW SHOULDER	2
16	61041060040	SCREW FOR SUPPORT STEPPER MOT.	1
37	61141028000	SPACER BUSHING 6,3X8,5X11 07	2
38	0024060206	HH COLLAR SCREW M6X20 TX30	2
50	61041040000	INTAKE TRUMPET 05	2
60	61041085100	PRESSURE SENSOR 06	3
61	61041085150	RUBBER SUPP. PRESSURE SENS. 06	3
63	57013070100	PVC-CLAMP 7,9 MM HEYCO 3355	1
64	61041085060	SUPPORT PRESSURE SENSOR 05	1
65*	0081050121	SCREW FOR PLASTIC K50X12 T20	2
66	61041080000	AMBIENT-AIR TEMPERATURE SENSOR	1
67*	0081050181	SCREW FOR PLASTIC K50X18 T20	2
68	61041088000	ROLLOVER SENSOR 05	1
69	61041088050	SHIM 4,3X15X1,25MM GALVANIZED	2
70	0081400253	PLASTIC SCREW KA40X25WN1412	2
71	61036023100	VACUUM CONECTION 2006	2
72	61041095050	HOSE 3,2X8,5 L=50 MM 05	1
73	61041095250	HOSE 3,2X8,5 L= 250 MM 05	2

116114111 / C116114111

* NEW PART

X AS REQUIRED



KTM-Sportmotorcycle AG
A-5230 Mattighofen
www.ktm.at

KTM Group Partner



3CM089822KEN



Art.Nr.: 3CM089822KEN 12/2010