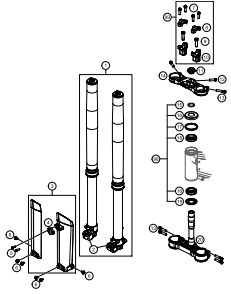
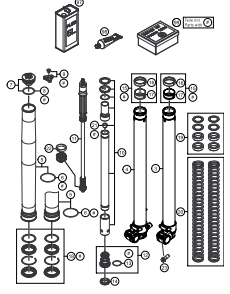
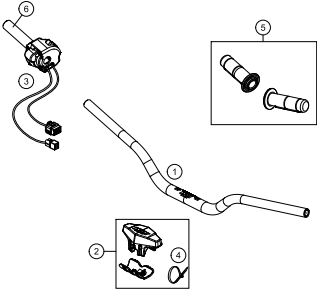
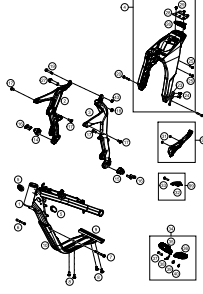
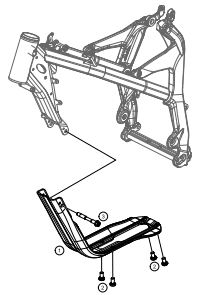
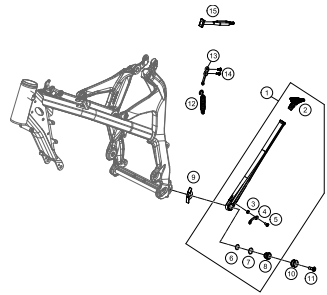
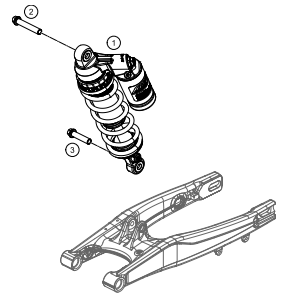
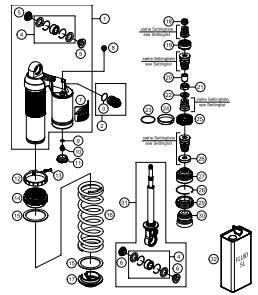
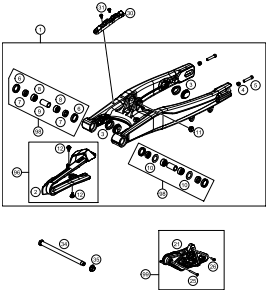
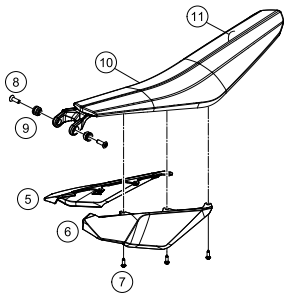
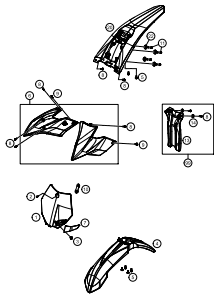
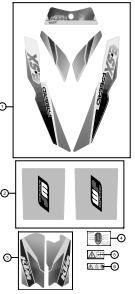
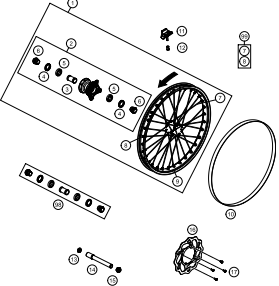
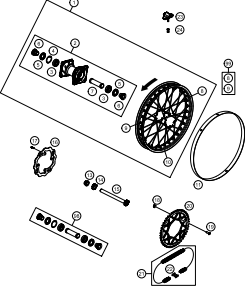
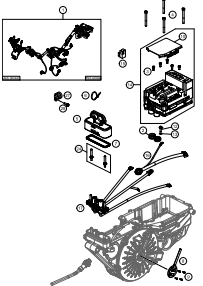
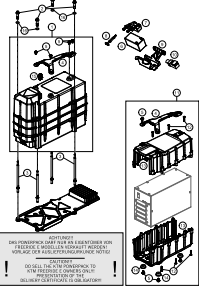
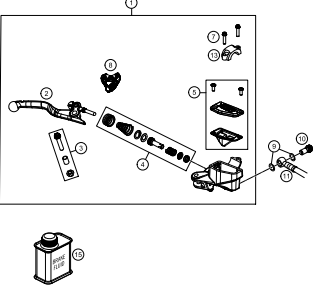
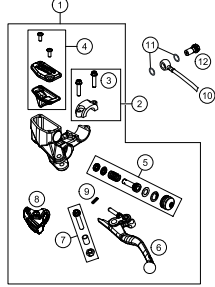
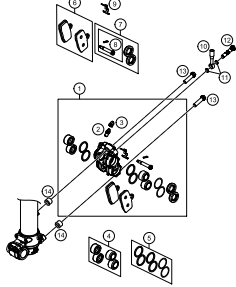
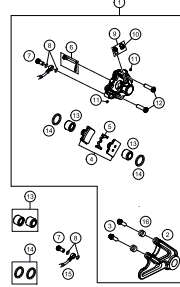
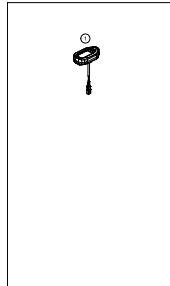
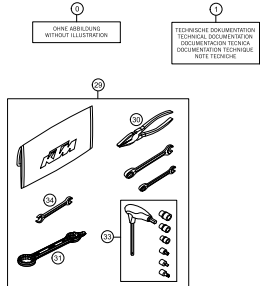
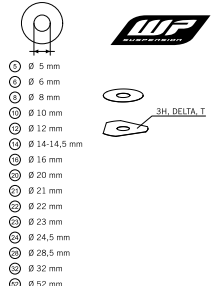


FREERIDE E-SX EU 2015

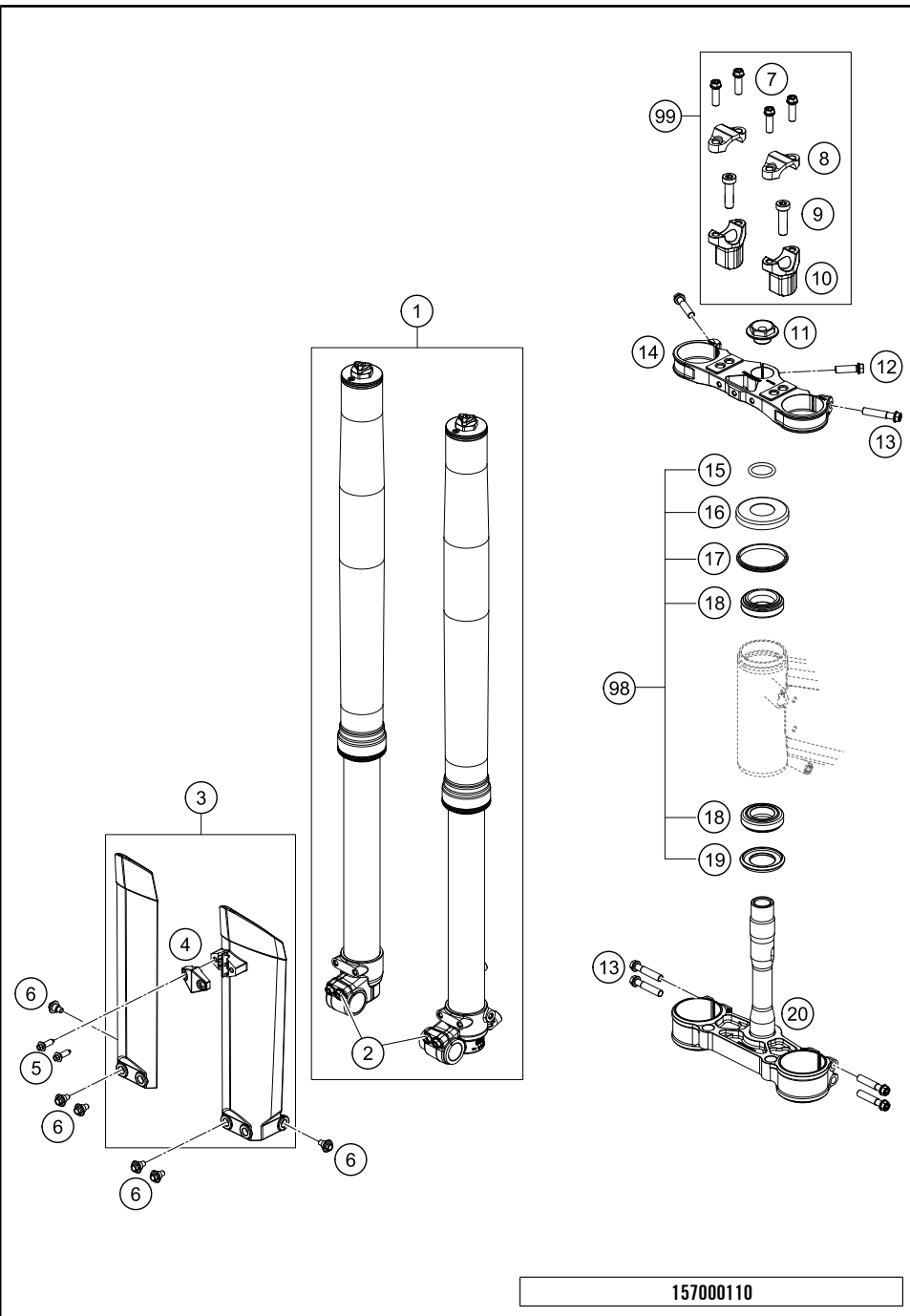
ART.-NR.: 3CFF300100EN



<p>FRONT FORK, TRIPLE CLAMP</p>  <p>4</p>	<p>FRONT FORK DISASSEMBLED</p>  <p>5</p>	<p>HANDLEBAR, CONTROLS</p>  <p>6</p>	<p>FRAME</p>  <p>7</p>
<p>ENGINE PROTECTION</p>  <p>8</p>	<p>SIDE STAND</p>  <p>9</p>	<p>MONOSHOCK</p>  <p>10</p>	<p>MONOSHOCK DISASSEMBLED</p>  <p>11</p>
<p>SWING ARM</p>  <p>12</p>	<p>SEAT, COVER</p>  <p>13</p>	<p>MASK, FENDER</p>  <p>14</p>	<p>DECAL</p>  <p>15</p>

<p>FRONT WHEEL</p>  <p>16</p>	<p>REAR WHEEL</p>  <p>17</p>	<p>WIRING HARNESS</p>  <p>18</p>	<p>BATTERY</p>  <p>19</p>
<p>HAND BRAKE CYLINDER</p>  <p>20</p>	<p>HAND BRAKE CYLINDER REAR</p>  <p>21</p>	<p>BRAKE CALIPER FRONT</p>  <p>22</p>	<p>BRAKE CALIPER REAR</p>  <p>23</p>
<p>INSTRUMENTS / LOCK SYSTEM</p>  <p>24</p>	<p>ACCESSORIES KIT</p>  <p>25</p>	<p>WP SHIMS FOR SETTING</p>  <p>26</p>	

	<div data-bbox="669 1094 797 1385" data-label="Image"> </div> <p data-bbox="842 1078 2078 1283">All information contained is without obligation. KTM Sportmotorcycle GmbH particularly reserves the right to modify any equipment, technical specifications, prices, colors, shapes, materials, services, service work, constructions, equipment and the like so as to adapt them to local conditions or to cancel any of the above items, all without previous announcement and without giving reasons. KTM may stop manufacturing certain models without previous notice. KTM shall not be held liable for any deviations of availability and/or ability to deliver, illustrations, descriptions, printing and/or other errors. The illustrated models partly contain extra equipment, which is not applied to standard models.</p> <p data-bbox="842 1305 2078 1362">© by KTM Sportmotorcycle GmbH, Mattighofen AUSTRIA; All rights reserved; Reprint, also in extracts, with written allowance of KTM Sportmotorcycle GmbH, Mattighofen only.</p>		



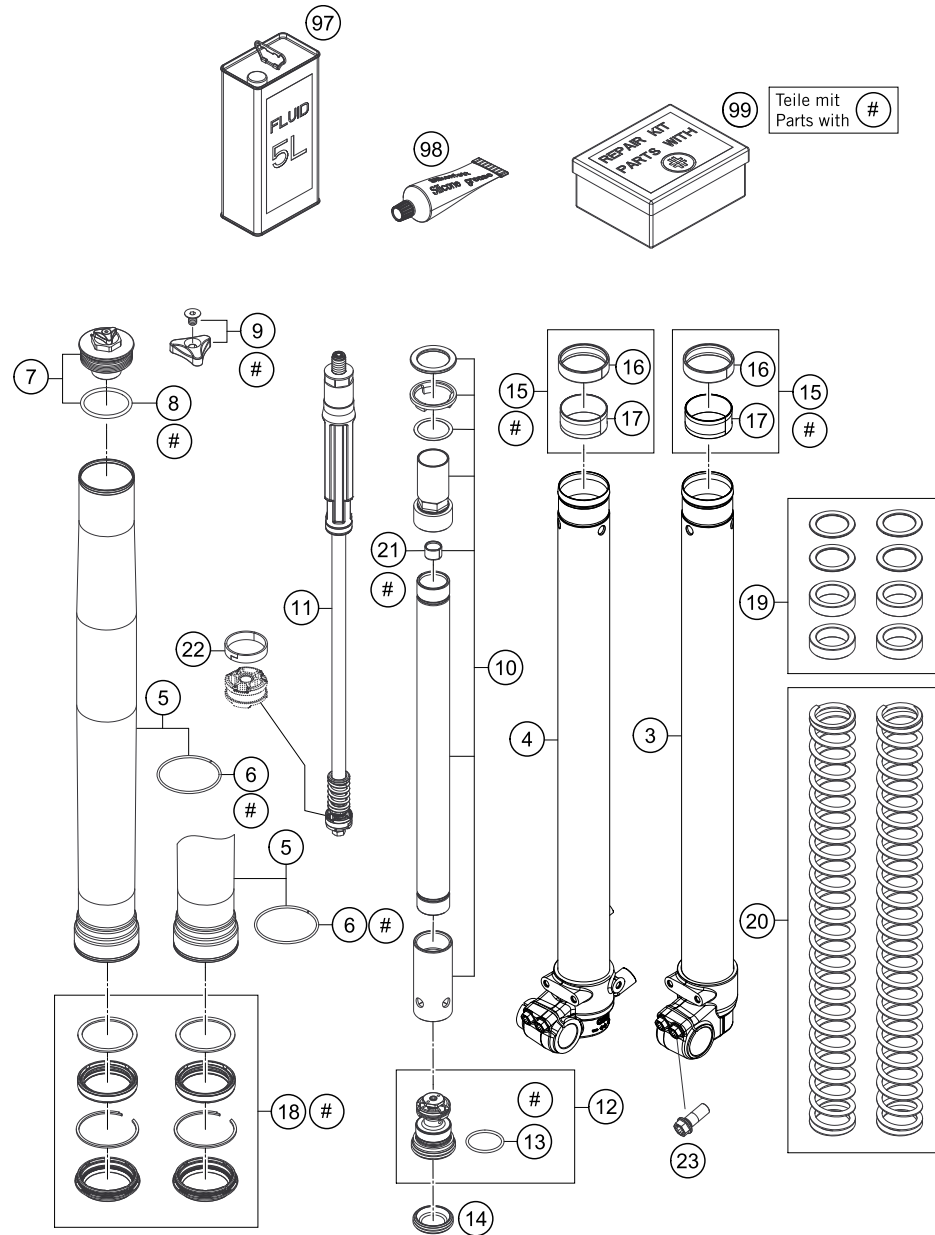
157000110

POS	PARTNUMBER	PARTNAME	PIECE
1	05187N4101	FORK FREERIDE E	1
2	0025080206	HH COLLAR SCREW M8X20 TX40	4
3	4710109400028	FORK PROTECTOR SET 85SX WHITE	1
4	4710108500028	CLAMP FOR BRAKE HOSE	1
5	0017060206	SCREW F. PLASTIC K60X20AL SW6	2
6	59001092050	SPECIAL SCREW M6X12,5 WS=8	6
7	0025080256	HH COLLAR SCREW M8X25 TX40	4
8	77201038000	HANDLEBAR CLAMP 28MM	2
9	0032100356S	AH-COLLAR SCREW M10X35 ISA45	2
10	59401039047	HANDLEB.SUPP. D=28MM H=47MM 05	2
11	70009082000	AXLESCREW M20X1.5; SW17	1
12	0025080256S	HH COLLAR SCREW M8X25 TX40	1
13	0025080406	HH COLLAR SCREW M8X40 TX40	6
14	7000103402030	TOP FORK PLATE BLACK	1
15	0770025035	O-RING 25X3,55 NBR70 05	1
16	78101086000	STEERING HEAD COVER	1
17	54601184000	STEERING HEAD GASKET TOP	1
18	54201081100	TAPERED ROLLER BEARING CPL. 06	2
19	77701084000	O-RING SUPPORT W. SEALING LIP	1
20	7000103202030	BOT.TRIPLE CLAMP CPL. BL. 20MM	1
98	00050000930	STEERING HEAD REP. KIT 06-15	x
99	00050000926	HANDLEBAR SUPPORT KIT FREERIDE	x

C157000110

* NEW PART

X ON DEMAND



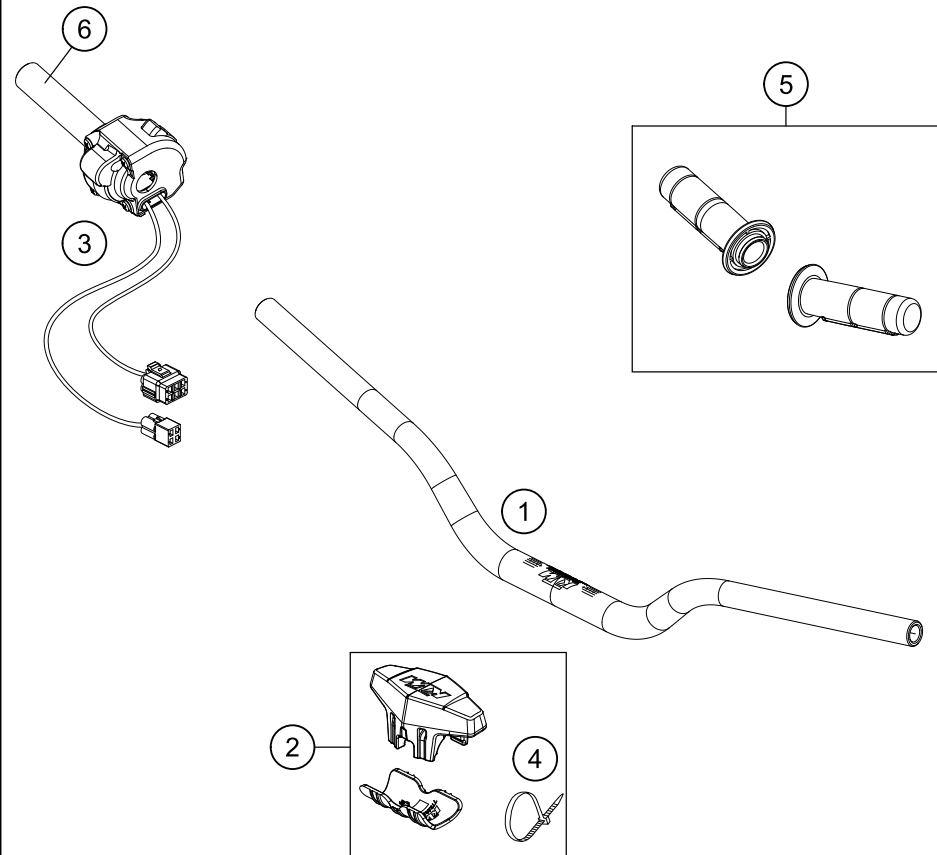
POS	PARTNUMBER	PARTNAME	PIECE
3	43570559S1	AXLE CLAMP L/S + TUBE CPL.	1
4	43570558S1	AXLE CLAMP R/S + TUBE CPL.	1
5	43570614S	OUTER TUBE WITH GUIDING RING	2
6	43570099	GUIDING RING D=53MM	2
7	43570395S1	SCREW CAP M46X1,5 CPL.	2
8	46811042	O-RING 40,00X2,00 WP	2
9	48600812S	ADJUSTING KNOB + SCREW	2
10	48600870S	CARDRIDGE CPL.	2
11	48600694S	PISTON ROD CPL.	2
12	48600586S2	TAP COMPRESSION CPL.	2
13	35480320	O-RING NBR 24X2	2
14	48600141	RUBBER CAP D=35MM	2
15	R14042	GUIDE BUSHING SET	2
16	43570618	GUIDE BUSHING 43X47X12	2
17	43570617	GUIDE BUSHING 42X44X20 R11	2
18	R513	GASKET SET	1
19	R14026	SPRING SPACER KIT	1
20	95010050S	SPRING 4,6 N/MM SET	1
21	48600430	DU BUSH FOR PISTON ROD	2
22	48600455	PISTON RING 5X1X68	2
23	0025080206	HH COLLAR SCREW M8X20 TX40	4
97	48601166S1	FORK OIL SAE4 5L	1
98	T511	SILICONE GREASE F. DUST STRI	1
99	R14052	REP. KIT	1

157000130

C157000130

* NEW PART

X ON DEMAND



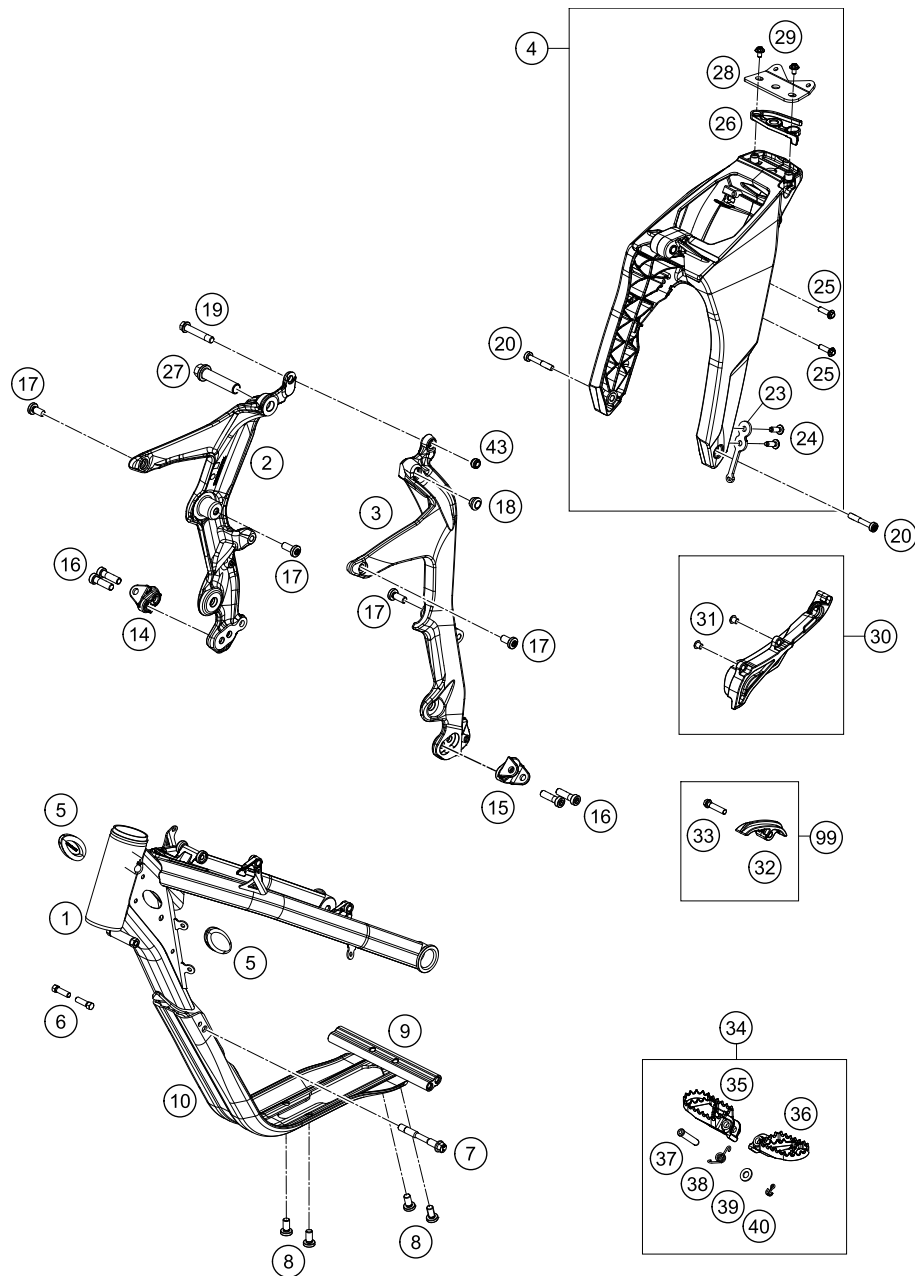
POS	PARTNUMBER	PARTNAME	PIECE
1	7000200100030	HANDLEBAR BLACK D=28MM	1
2	77202002144	BAR PAD CPL.	1
3	70011073000	E-THROTTLE GRIP	1
4	44011076305	CABLE TIE 300/4,8MM BLACK	2
5	63002021100	GRIP SET DUAL COMPOUND	1
6	70002012000	THROTTLE HANDLE TUBE	1

157000210

C157000210

* NEW PART

X ON DEMAND



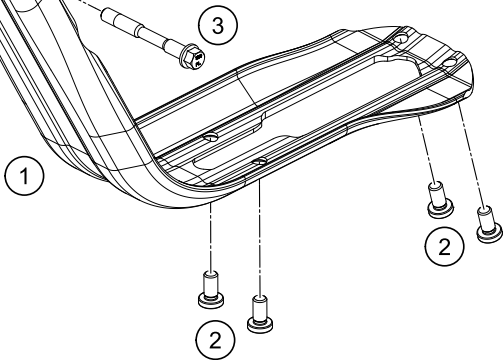
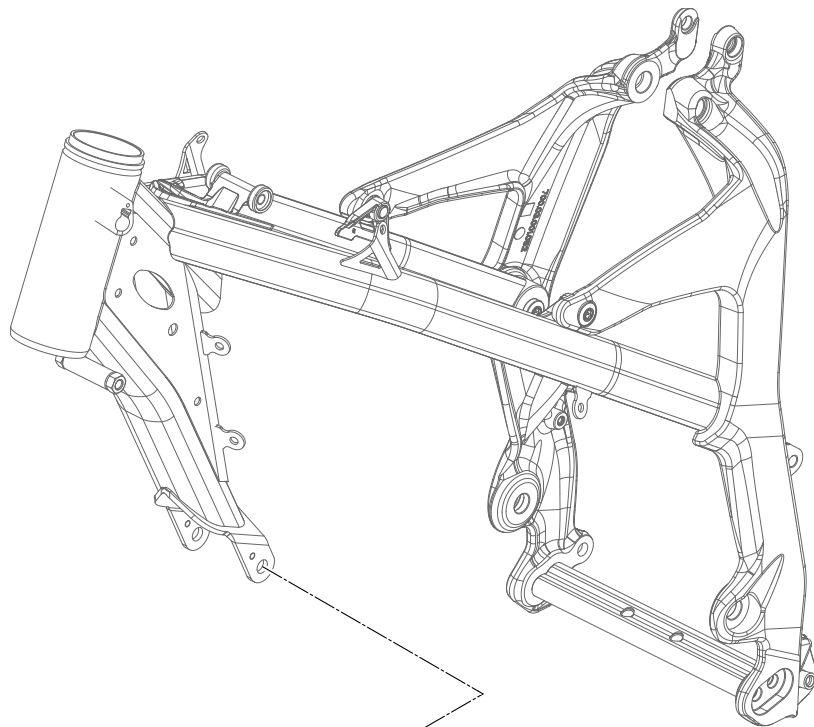
157000310

POS	PARTNUMBER	PARTNAME	PIECE
1	7000300110004	FRAME ORANGE "700L3"	1
2	70003001152	CONNECTION BRACKET R/S 14	1
3	70003101051	CONNECTION BRACKET L. VMT	1
4	70003002033	SUBFRAME CPL.	1
5	58404041000	CLOSING COVER SWINGARM SM 03	2
6	0912080123	AH SCREW DIN912 M8X12	2
7	47003013000	ENGINE BRACKET SCREW 85 SX	1
9	70003001060	CROSS PIPE	1
10	70003090144	ENGINE GUARD CPL.	1
14	70003039100	FOOTREST MOUNTING R/S '12	1
15	70003038100	FOOTREST MOUNTING L/S '12	1
16	0032100356S	AH-COLLAR SCREW M10X35 ISA45	4
17	0035100209	AH-COLLAR SCREW M10X20 ISA45	4
18	50180105	THREADED BUSH M12 PDS	1
19	69004094000	HH COLLAR SCREW M10X56 WS13 08	1
20	0035080506S	AH-COLLAR SCREW M8X50 ISA45	2
23	70003024050	SIDE STAND SPRING PLATE 12	1
24	0017060205	SCREW FOR PLASTIC K6X20 SW6	2
25	0016070253	PLASTIC SCREW K7X25 PT1447	2
26	70007039000	SEAT LOCKING MECHANISM	1
27	70004016000	MONOSHOCK SCREW TOP M12X80	1
28	70007039050	BRACKET QUICK LOCK	1
29	0024060106	HH COLLAR SCREW M6X10 TX30	2
30	70003096000	CHAIN SPROCKET GUARD	1
31	58314060050	% SPACER BUSH. F. SPEEDOMET.B.	2
32	70003053000	CHAIN SLIDING PIECE BELOW CPL.	1
33	0025080356	HH COLLAR SCREW M8X35 TX40	1
34	47103040033	FOOTREST CPL. 14	1
35	47103041000	FOOTREST R/S	1
36	47103040000	FOOTREST L/S	1
37	54803044000	PIN FOR FOOT PED 51.5X9.8 MM	2
38	54603041000	FOOTREST SPRING L/S & R/S	2
39	0125100003	WASHER DIN0125-A10,5	2
40	0094032253	PIN DIN0094-3,2X25 STEEL	2
43	69004095000	ADAPTOR NUT M10	1
99	70003053010	CHAIN SLIDING KIT BELOW	x

C157000310

* NEW PART

X ON DEMAND



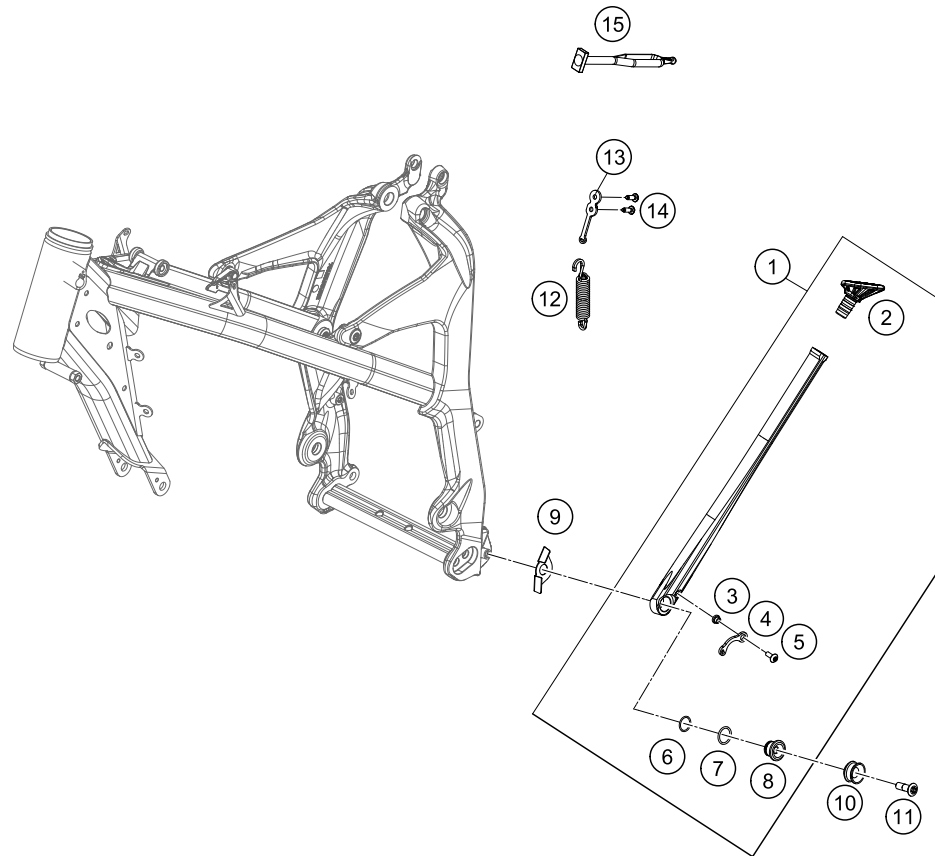
157000330

POS	PARTNUMBER	PARTNAME	PIECE
1	70003090144	ENGINE GUARD CPL.	1
2	0035100209	AH-COLLAR SCREW M10X20 ISA45	4
3	47003013000	ENGINE BRACKET SCREW 85 SX	1

C157000330

* NEW PART

X ON DEMAND



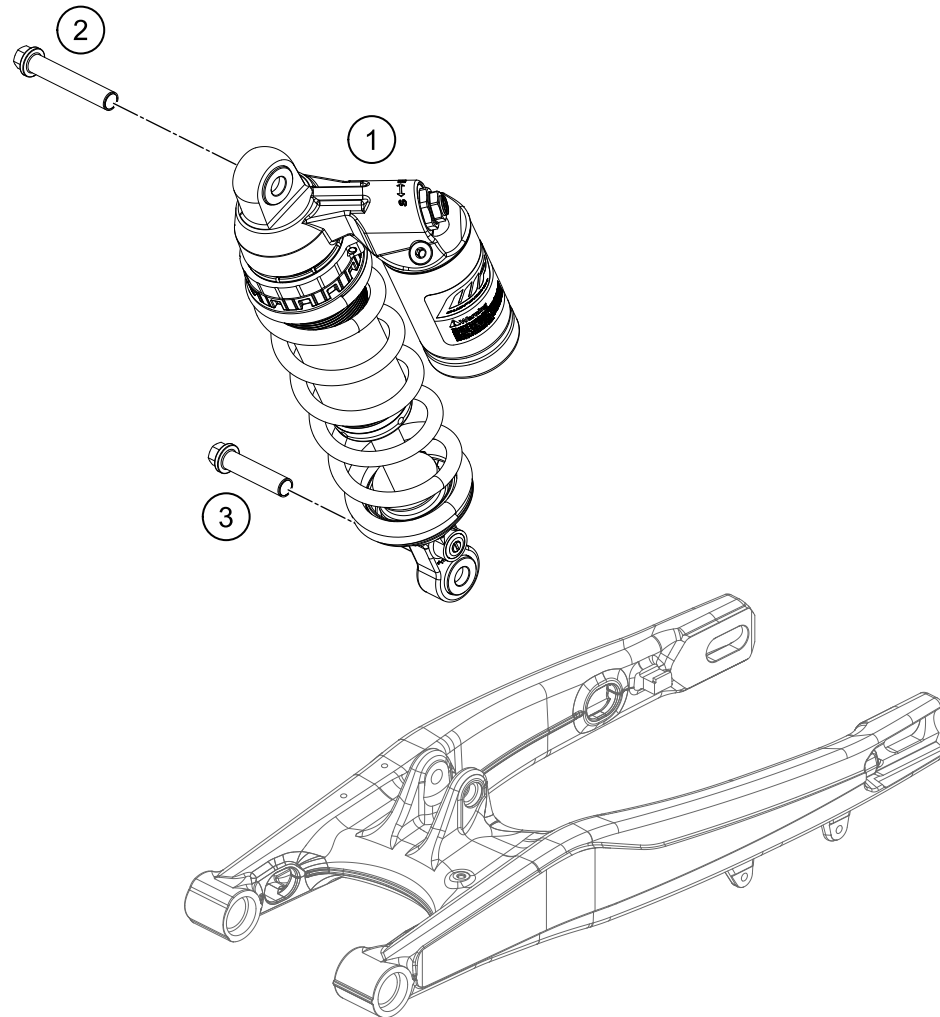
POS	PARTNUMBER	PARTNAME	PIECE
1	70003023044	SIDE STAND CPL. 2012	1
2	78003023155	STAND BASE	1
3	78003023070	SPACER BUSH. SPRING BRACKET	1
4	78003023090	SPRING BRACKET F. SIDE ST. 08	1
5	58605083014	SCREW M5X14 TORX 25 07	1
6	0770125015	O-RING 12,5X1,5 NBR	1
7	0770180020	O-RING 18,00X2,00 NBR 70	1
8	78003023080	SIDE STAND BUSHING EXC USA 08	1
9	47003023050	STOP SHEET SST	1
10	78003023081	SIDE STAND BUSHING EXC-EU 08	1
11	0019080356	COUNTERSUNK SCREW ISA45 M8X35	1
12	81203024000	SIDE STAND SPRING EYE MOVEABLE	1
13	70003024050	SIDE STAND SPRING PLATE 12	1
14	0017060205	SCREW FOR PLASTIC K60X20 SW6	2
15	50303018000	RUBBER L=145MM	1

157000360

C157000360

* NEW PART

X ON DEMAND



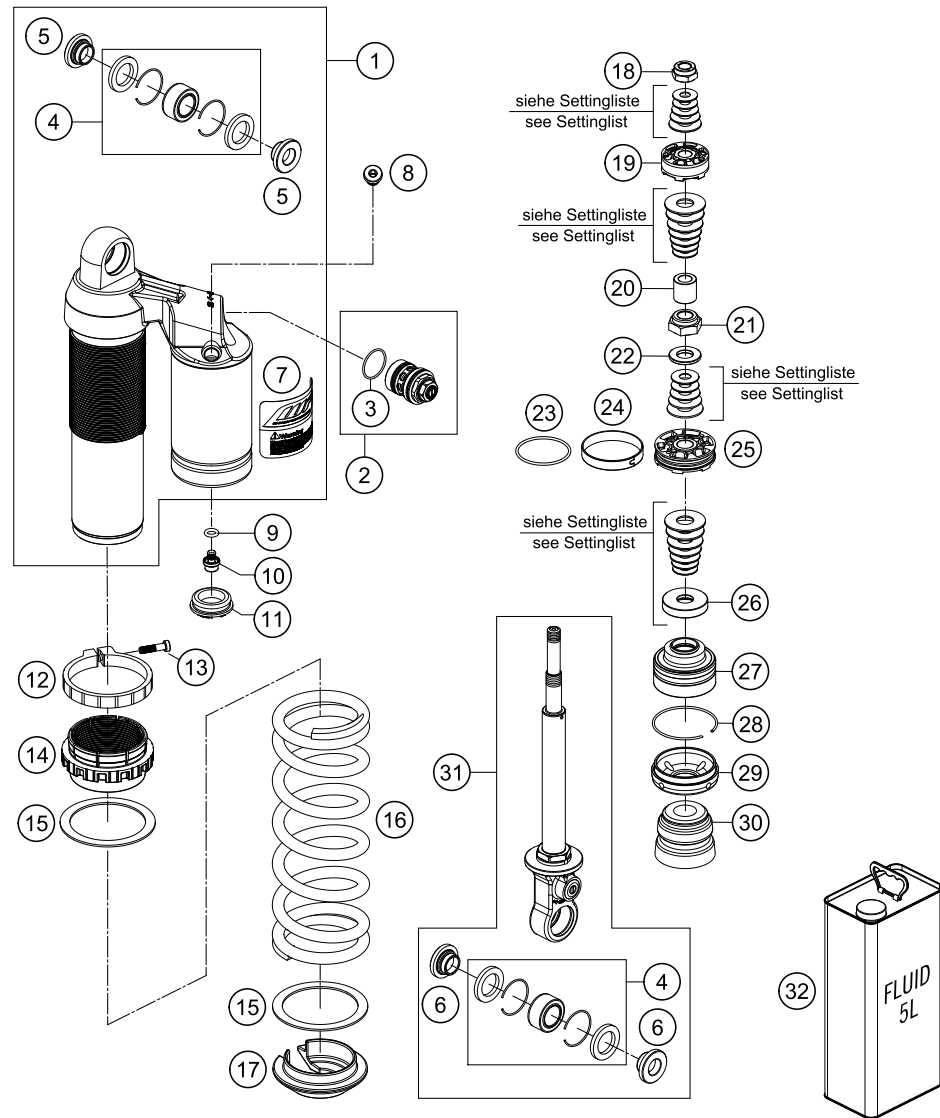
POS	PARTNUMBER	PARTNAME	PIECE
1	15187N4101	MONOSHOCK FREERIDE E	1
2	70004016000	MONOSHOCK SCREW TOP M12X80	1
3	0025120506S	HH COLLAR SCREW M12X50 TX45	1

157000410

C157000410

* NEW PART

X ON DEMAND



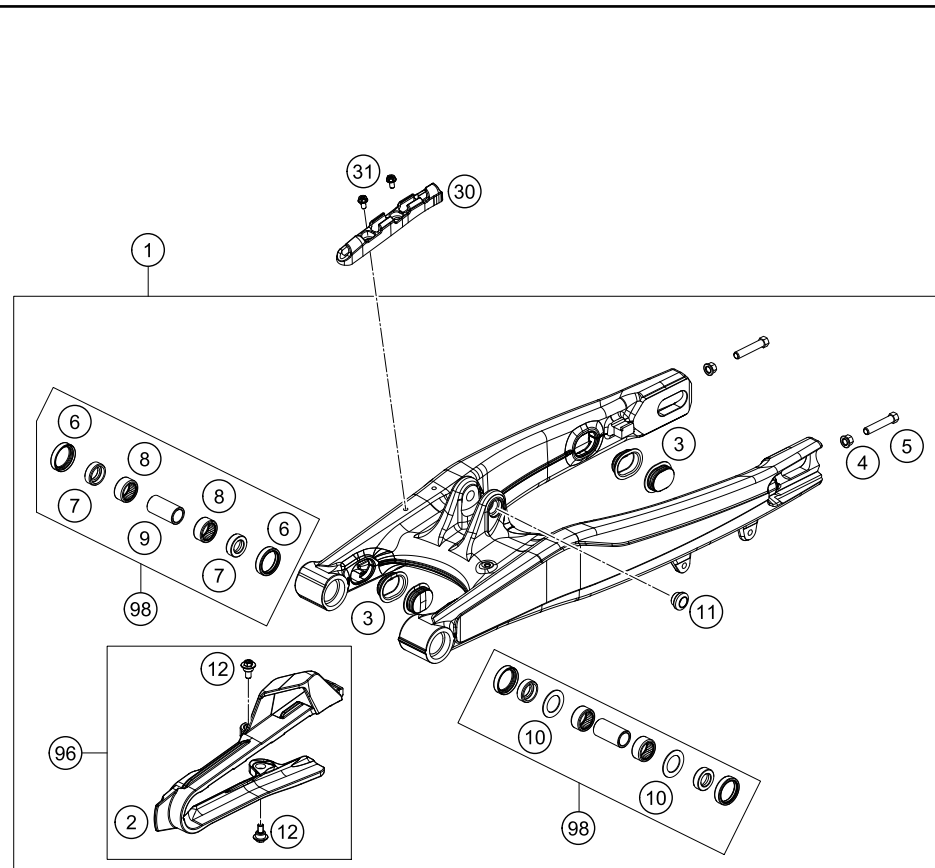
POS	PARTNUMBER	PARTNAME	PIECE
1	46181018S1	MONOSHOCK CASE CPL.	1
2	50180213S20	DCC-COMPR.DAMP.CONTROL CPL. 13	1
3	50180218	O-RING 25X1,5 VITON	1
4	R12012	REP. KIT BEAR./SEAL UP. 07	2
5	46181105	DISTANCE BUSH KGW 12X24	2
6	46180007	ADAPTOR BUSH KGW 12X24	2
7	52000087	STICKER WP MONOSHOCK	1
8	50180095	BLEED PLUG R 1/8	1
9	46810893	O-RING NBR 5,28X1,78	1
10	36120151	SCREW PLUG M5X6	1
11	46811208	RUBBER CAP "DO NOT OPEN"	1
12	46181014	TENSIONING RING D64 H10	1
13	14460042	%ALLENHEAD SCREW M5 L=20 STAIN	1
14	46181013	ADJUSTING NUT D46 PLASTIC	1
15	50180410	INTERM.RING D=58	2
16	91010324S	SPRING 55/63/71 N/MM SET	1
16	91010323S	SPRING 58/66/74 N/MM SET	x
16	91010170S	SPRING 55 N/MM	x
17	46180349	SPRING WASHER H=15 D=28	1
18	46180356	PISTON ROD NUT M10X1	1
19	14460016	PISTON + PISTON SPRING	1
20	46181016	SANDWICH BUSH 10X17X10	1
21	46810474	PISTON ROD NUT	1
22	46811258	RING 12X24X2,5	1
23	46810035	O-RING VITON 37,82X1,78	1
24	46811206	PISTON RING 8X46	1
25	46810560	PISTON 6+6D7	1
26	14460017	REBOUND DISC H=4	1
27	46180669S	ADAPTOR CPL. D=46 H=28 07	1
28	46810010	CIRCLIP 49X1,5	1
29	46180338	CAP D=46 H=9,5	1
30	50180276	BUMP RUBBER WP60 D=18-26	1
31	46181010S1	MONOSHOCK LOWER PART	1
32	50180751S1	SHOCK ABSORBER FLUID 5 LT	1

147250430

C157000430

* NEW PART

X ON DEMAND



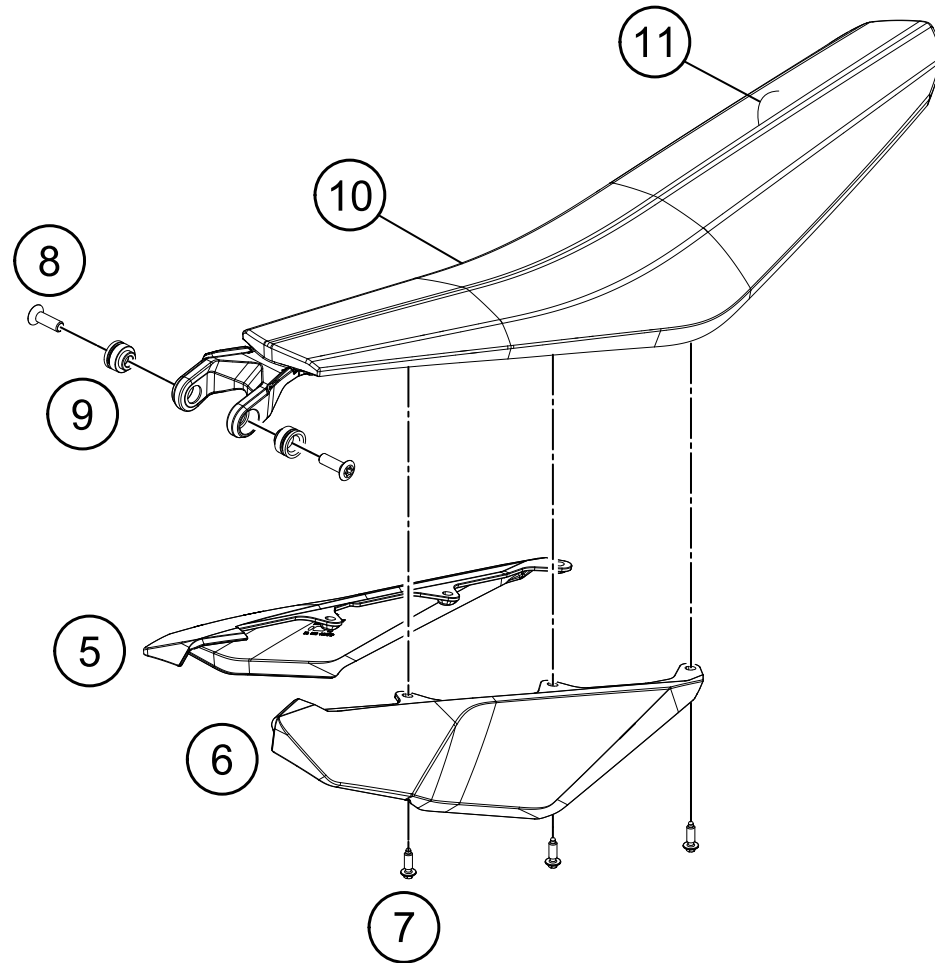
POS	PARTNUMBER	PARTNAME	PIECE
1	70004030044	SWINGARM CPL.	1
2	70004066000	CHAIN GUIDE GUARD	1
3	77204041000	CLOSING COVER	4
4	46030045000	COLLAR NUT M8 WS=10	2
5	50203030090	HH SCREW M8X40 WS=10	2
6	0760253270	SHAFT SEAL RING 25X32X7	4
7	54603090000	BUCKET F.SHAFTSEALRING 15X25X9	4
8	59004031000	NEEDLE BUSH HK2012V	4
9	50203081700	BUSHING SLEEVE 15X20X38,75	2
10	59033080000	SHIM 20X32X1	2
11	50180105	THREADED BUSH M12 PDS	1
12	83008100015	SPECIAL SCREW M6X15X5,5	2
21	78104070100	CHAIN GUIDE EXC	1
25	0025060456	HH COLLAR SCREW M6X45 TX30	1
26	0025060206	HH COLLAR SCREW M6X20 TX30	1
30	70013047000	BRAKE HOSE GUIDE	1
31	0009050106	EJOT SPIRAL SCREW SF M5X10-K	2
34	70004037000	SWING ARM BOLT L=239 '12	1
35	77204087000	HEX NUT M14X1.5 SW17	1
96	70004066010	CHAIN GUARD KIT FREERIDE	x
98	47004230010	SWINGARM REP. KIT 105/85 SX	x
99	77304070310	CHAIN GUIDE KIT REAR 08-14	x

157000490

C157000490

* NEW PART

X ON DEMAND



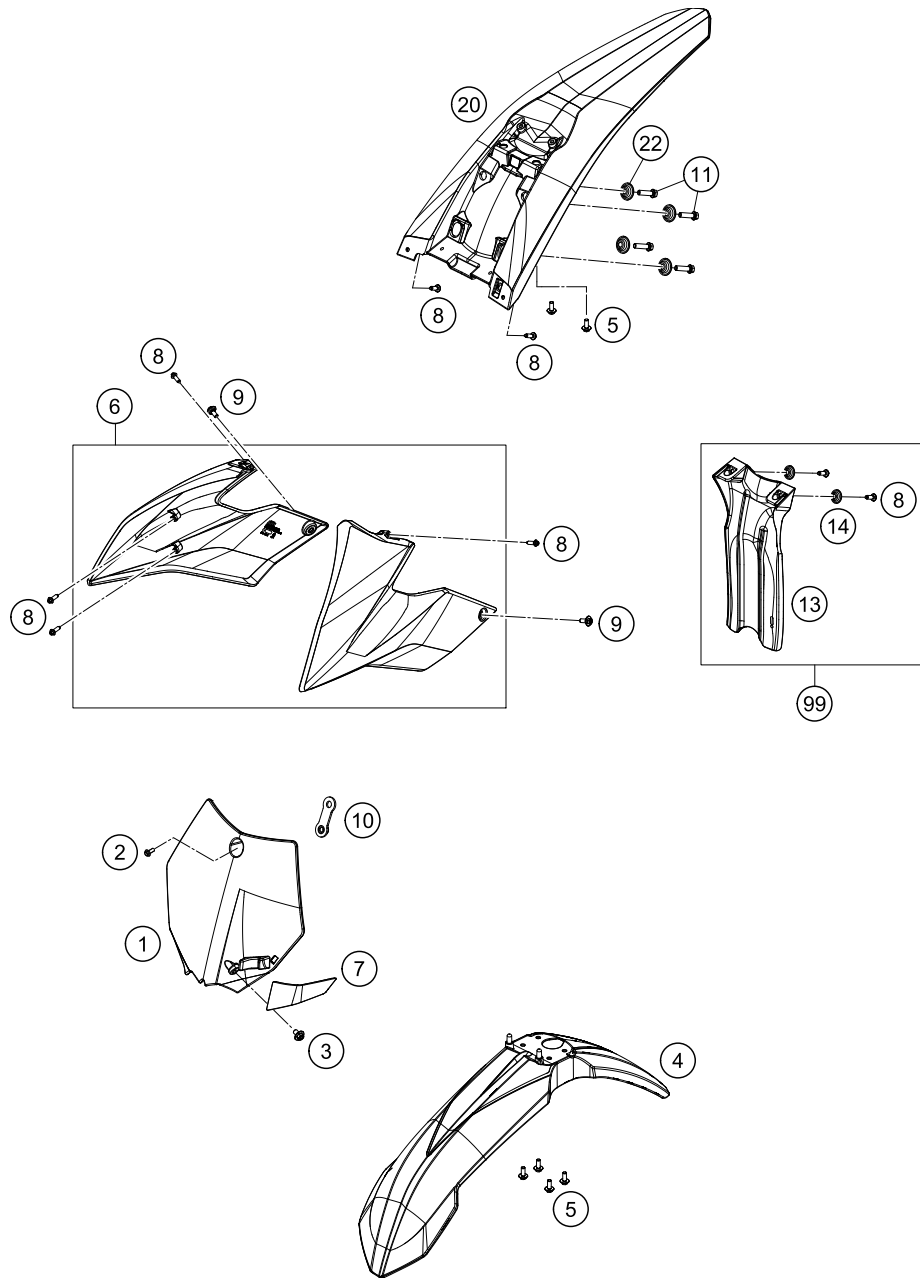
POS	PARTNUMBER	PARTNAME	PIECE
5	7000702505128B	ACCU COVER R/S WHITH E-SX 15 WITH DECAL	1
6	7000702505028B	ACCU COVER L/S WHITH E-SX 15 WITH DECAL	1
7	0017060206	SCREW F. PLASTIC K60X20AL SW6	6
8	0019080266S	COUNTER-SUNK SCREW ISA45 M8X26	2
9	70003001057	BUSHING	2
10	70007040000	SEAT CPL. '12	1
11	70007040050	SEATCOVER	1

157000710

C157000710

* NEW PART

X ON DEMAND



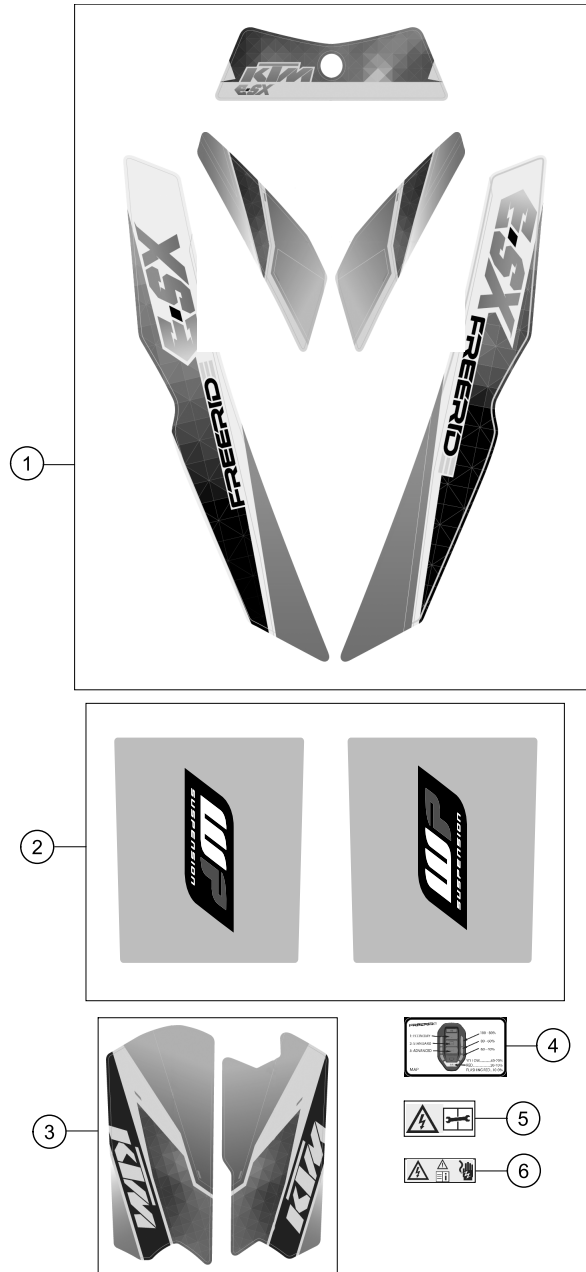
POS	PARTNUMBER	PARTNAME	PIECE
1	4710800700028	NUMBER PLATE WHITE	1
2	0025060106	HH COLLAR SCREW M6X10 TX30	1
4	4710801000028	FRONT FENDER WHITE	1
5	0024060156	HH COLLAR SCREW M6X15 TX30	6
6	7000805400028C	SPOILER KIT FREERIDE E-SX WITH DECAL	1
7	4620802200028	BRAKE HOSE GUIDE	1
8	0017060206	SCREW F. PLASTIC K60X20AL SW6	9
9	83008000012	SPECIAL SCREW M6X12X3	2
10	45208007050	RETAINING PLATE F. NUMBER PL.	1
11	0025080166	HH COLLAR SCREW M8X16 TX40	4
13	70004050000	SPLASHBACK	1
14	77304066050	BUSHING F. CHAIN SLIDING PR.07	2
20	7000801300028	REAR PART WHITE	1
22	70008013051	SPECIAL WASHER D22/4,5MM	4
99	70006010010	SPLASH PROTECTOR KIT FREERIDE	x

157000810

C157000810

* NEW PART

X ON DEMAND



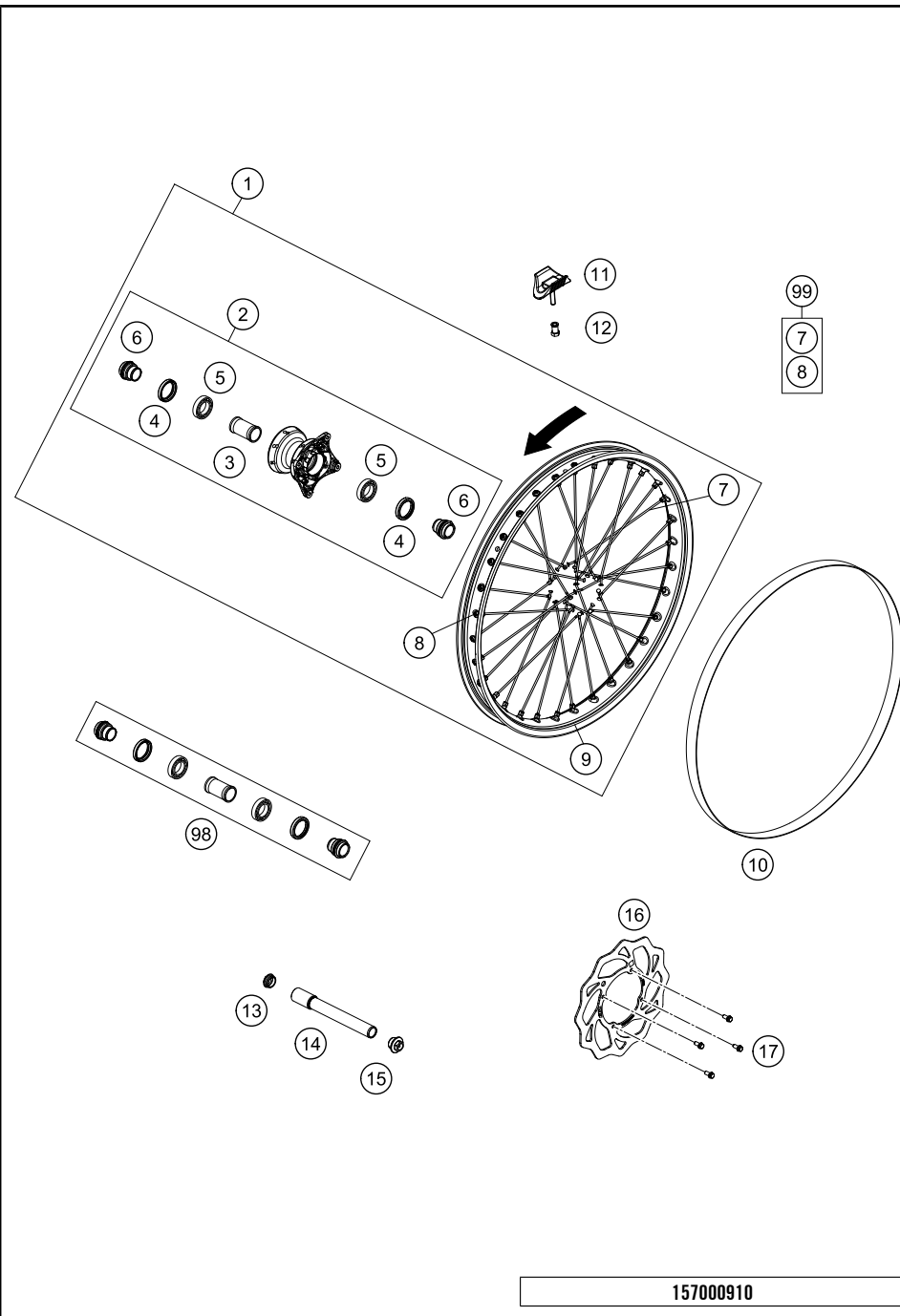
POS	PARTNUMBER	PARTNAME	PIECE
1	70008099000	DECAL SET FREERIDE E-SX	1
2	70008092000	DECAL SET FORK WP	1
3	70008097000	DECAL FORK PROTECTION FREER. E	1
4	70045160090	DECAL "TECHNICAL INFO"	1
5	70012095000	LABEL "POWERPACK"	1
6	70012096000	LABEL "HIGH VOLTAGE"	1

157000830

C157000830

* NEW PART

X ON DEMAND



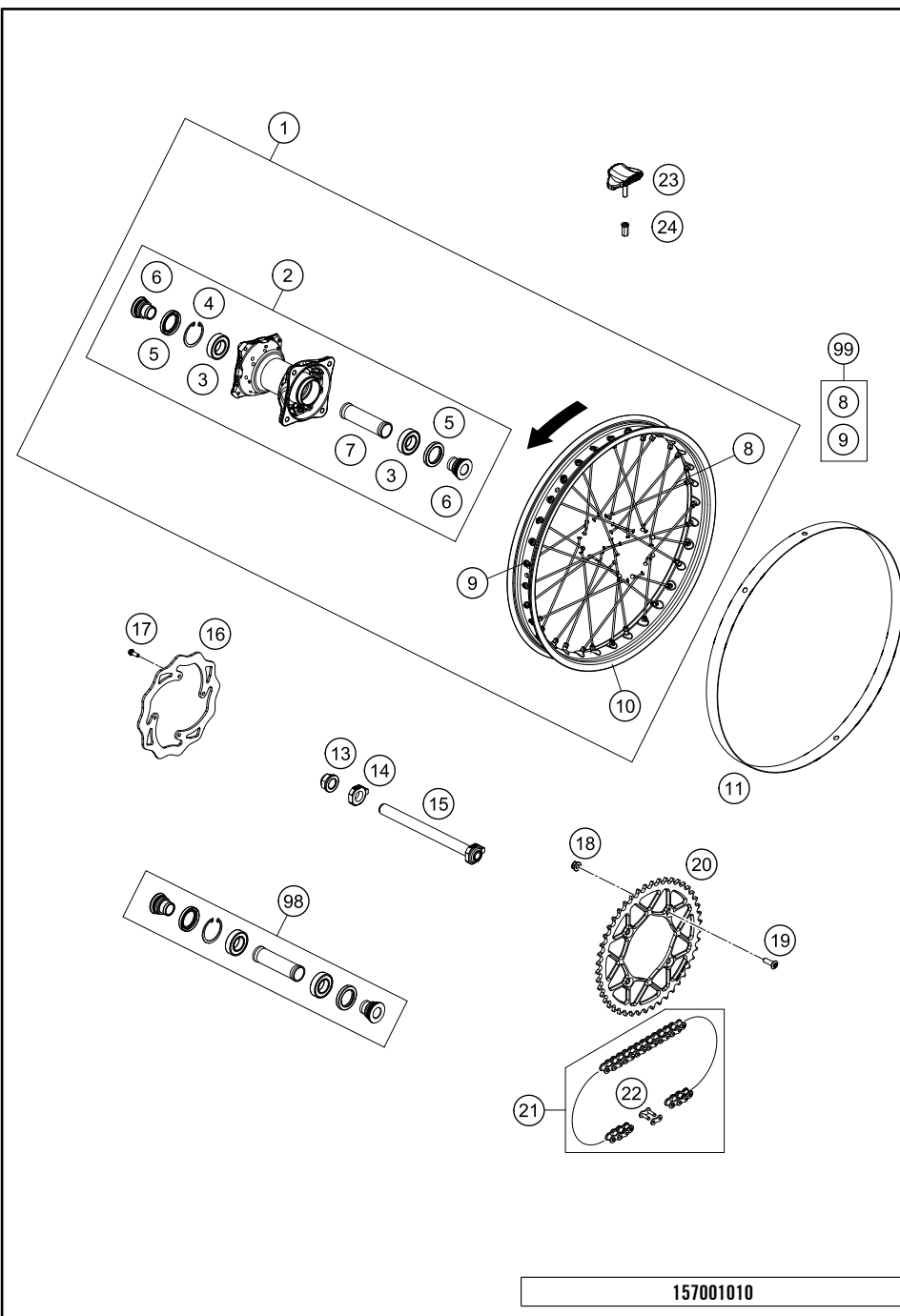
POS	PARTNUMBER	PARTNAME	PIECE
1	7000900104430	FRONT WHEEL CPL. BLACK 12	1
2	70009010044	FRONT WHEEL HUB CPL. 12	1
3	70009011000	BEAR.SPACER TUBE FRONT D22MM	1
4	0760324271	SHAFT SEAL RING 32X42X7 BSL	2
5	0625069050	BALL BEARING 6905 J1LLUC3	2
6	70009012000	SPACER BUSHING D=22MM	2
7	7000907123230	SPOKE FRONT 232MM BLACK	32
8	77109072000	SPOKE NIPPLE M4,5 AL 11	32
9	7000907000030	RIM FRONT 21X1,6-32 BLACK	1
10	50309073000	RIM BAND 21"	1
11	78109090000	RIM LOCK 1,60"	1
12	77110090050	NUT FOR WHEEL HOLDER	1
13	70009081050	PLUG BUSHING SW17 '12	1
14	70009081000	AXLE FRONT D=22 '12	1
15	70009082000	AXLESCREW M20X1.5; SW17	1
16	72009060000	BRAKE DISC FRONT D=260MM	1
17	59009062013	SPECIAL SCREW M6X13 WS=8 10.9	4
98	70009015000	FRONT WHEEL REP. KIT	x
99	00050000961	SPOKE KIT FRONT '21'	x

157000910

C157000910

* NEW PART

X ON DEMAND

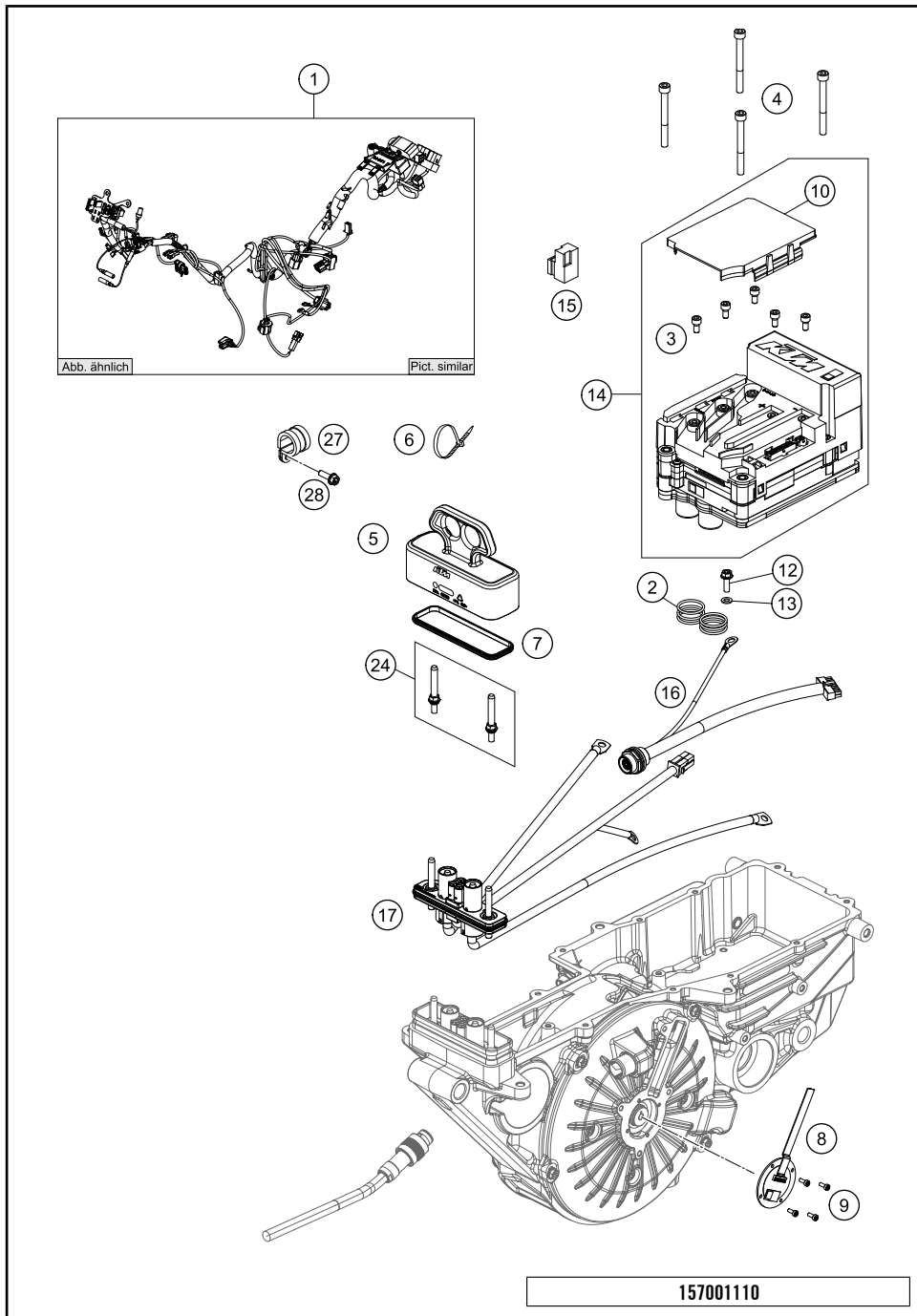


POS	PARTNUMBER	PARTNAME	PIECE
1	7001000114430	REAR WHEEL CPL. BLK FREERIDE E	1
2	70010010044	REAR WHEEL HUB CPL. 12	1
3	0625060058	GR.BALL BEAR.6005 DDU2CG23S6NM	2
4	0472047175	CIRCLIP DIN0472-47X1,75	1
5	0760324771	SHAFT SEAL RING 32X47X7 BSL	2
6	78010016000	BUSHING FOR HUB 08	2
7	70010011000	BEAR.SPACER TUBE '12	1
8	7001007119330	SPOKE REAR 193 MM BLACK	32
9	77109072000	SPOKE NIPPLE M4,5 AL 11	32
10	7201007000030	RIM REAR 18X2,15-32 BLACK	1
11	50310073200	RIM BAND 18" AND 19"	1
13	50310099000	HEXAGON NUT M20X1,5 '98	1
14	70010084000	CHAIN TENSIONER R/S 12	1
15	70010085044	WHEEL SPINDLE REAR CPL. 12	1
16	70010060000	BRAKE DISC REAR	1
17	59009062013	SPECIAL SCREW M6X13 WS=8 10.9	4
18	06923080003	HEXAGON NUT DIN EN1661 M8 SW13	4
19	0019080266S	COUNTER-SUNK SCREW ISA45 M8X26	4
20	7201005104630	SPROCKET 46-T BLACK	x
20	7201005104830	SPROCKET 48-T BLACK	1
21	78010167118	CHAIN DID 118 ROLLS	1
22	78010166000	CONNECTING LINK F. 78010167118	1
23	78110090000	RIM LOCK 2,15"	1
24	77110090050	NUT FOR WHEEL HOLDER	1
98	70010015000	REAR WHEEL REP. KIT	x
99	00050000962	SPOKE KIT REAR '18'	x

157001010

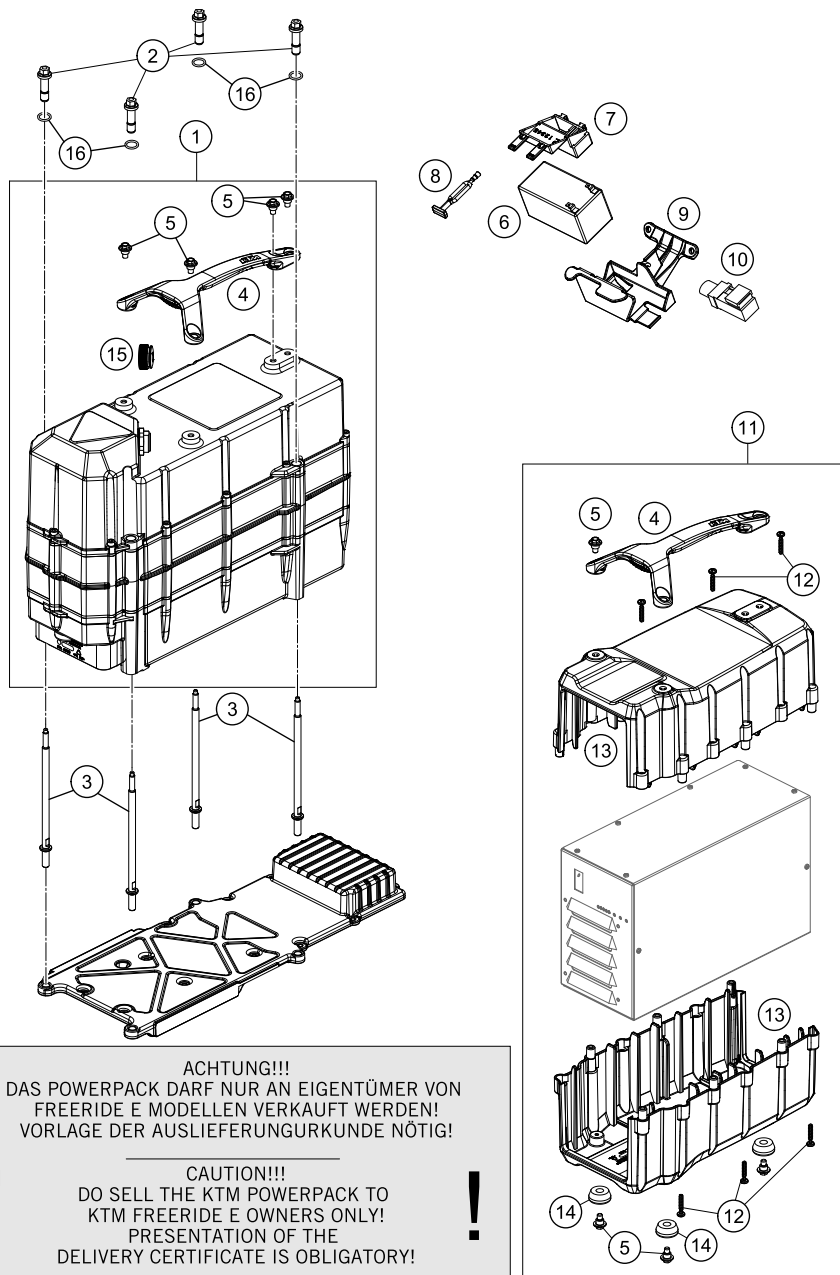
C157001010

* NEW PART X ON DEMAND



POS	PARTNUMBER	PARTNAME	PIECE
1	70011075150	WIRING HARNESS CPL. WK	1
2	0770220020	O-RING 22,00X2,00 B70	6
3	0912050107	AH SCREW DIN 0912 M5X10	5
4	0025060606	HH COLLAR SCREW M6X60 TX30	4
5	70029001005	HV-PLUG COVER CAP	1
6	44011076140	CABLE TIE 140/2,5MM BLACK	x
6	44011076200	CABLE TIE 200/3,6MM BLACK	x
6	44011076305	CABLE TIE 300/4,8MM BLACK	x
7	70045002100	SEAL HV-PLUG	1
8	70045061000	SPEED SENSOR	1
9	0458030080	CYLIND.SCREW M3X8 ISO 14580 SS	4
10	70045160050	COVER SMALL ENGINE ELECTRONIC	1
12	0025050166	HH COLLAR SCREW M5X16 TX30	1
13	0125050003	WASHER DIN0125-A 5,3	1
14	70045160100	ENGINE ELECTRONIC ASSY	1
15	61111057000	RELAY CM1A-R-12V-H80 07	1
16	70045070000	ENGINE WIRE HARNESS	1
17	70045073000	WIRING HARNESS ECU	1
24	70045073050	CONTACT PIN (SET)	1
27	59007439000	CLAMP RSGU 18/15 03	1
28	0025050166	HH COLLAR SCREW M5X16 TX30	1

* NEW PART X ON DEMAND



ACHTUNG!!!
 DAS POWERPACK DARF NUR AN EIGENTÜMER VON
 FREERIDE E MODELLEN VERKAUFT WERDEN!
 VORLAGE DER AUSLIEFERUNGURKUNDE NÖTIG!

CAUTION!!!
 DO SELL THE KTM POWERPACK TO
 KTM FREERIDE E OWNERS ONLY!
 PRESENTATION OF THE
 DELIVERY CERTIFICATE IS OBLIGATORY!

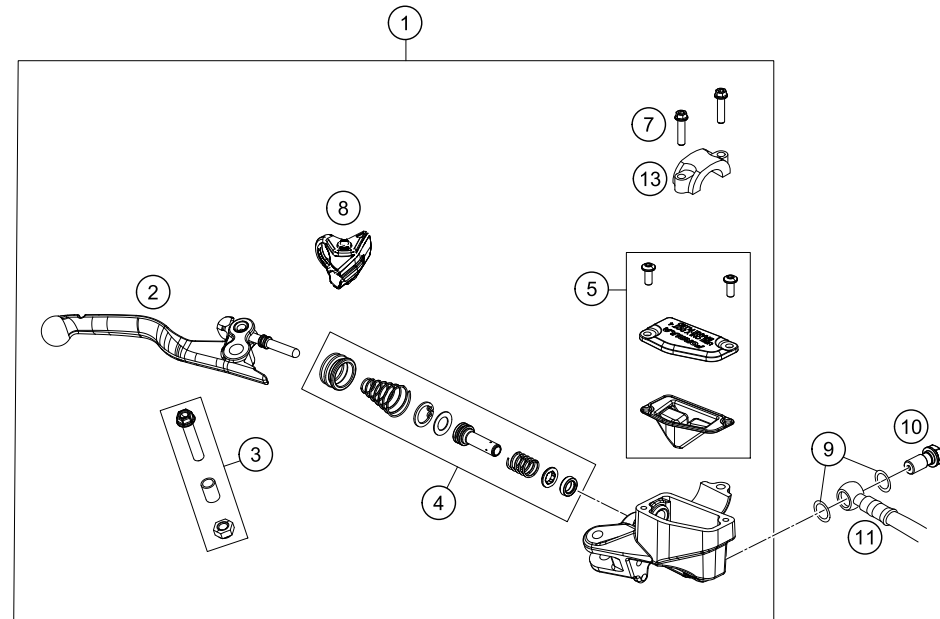
157001130

POS	PARTNUMBER	PARTNAME	PIECE
1	70045153100	POWER PACK	1
2	70045060060	THREADED BUSH	4
3	70045060050	STUD M8	4
4	70045083000	CARRYING HANDLE F. AKKU	2
5	59001092050	SPECIAL SCREW M6X12,5 WS=8	11
6	70011053000	BATTERIE 12V YUASA NP 1.2-12	1
7	58411087050	RUBBERCOVER F.LOCKHOLDER	1
8	75011054005	BRACKET RUBBER FOR BATTERY	1
9	70011094000	ELECTRIC BOX	1
10	61111057000	RELAY CM1A-R-12V-H80 07	1
11	70029074000	CHARGER ZE	1
12	0016050253	SCREW FOR PLASTIC 03	12
13	70029074050	SHELL CHARGER	2
14	70029074020	STAND CHARGER	3
15	000700000FX01	CAP CHARGER PLUG FX	1
16	07700900151	O-RING 9x1,5 V80 SH	4

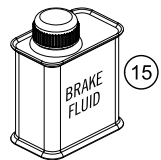
C157001130

* NEW PART

X ON DEMAND



POS	PARTNUMBER	PARTNAME	PIECE
1	70013001100	HAND BRAKE CYLINDER CPL. 10MM	1
2	72013002000	LEVER CPL.	1
3	70002038000	LEVER SCREW CPL.	1
4	72002032000	REP. KIT PISTON 10MM	1
5	70013003000	COVER HAND BRAKE CYLINDER CPL.	1
7	0025060256	HH COLLAR SCREW M6X25 TX30	2
8	70013004000	MUDCOVER HANDBRAKE LEVER	1
9	0770080019	O-RING 8,00X1,00 FORMULA	2
10	47013025000	HOLLOW SCREW BRAKE CYLINDER 03	1
11	70013010100	BRAKE HOSE FRONT 1065MM	1
13	72013005000	CLAMP	x
15	00062030000	BRAKE FLUID DOT5.1 0,25L	1

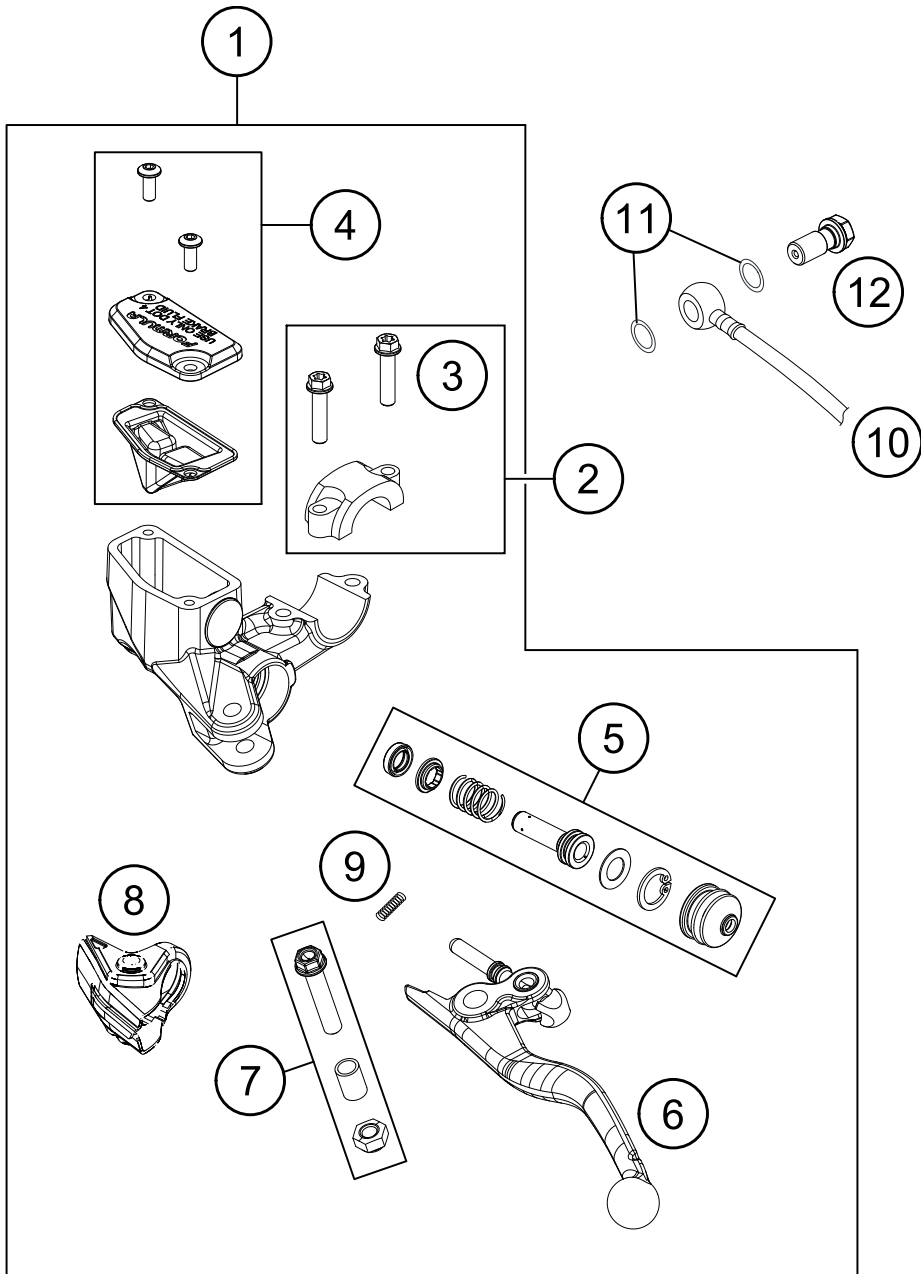


157001310

C157001310

* NEW PART

X ON DEMAND



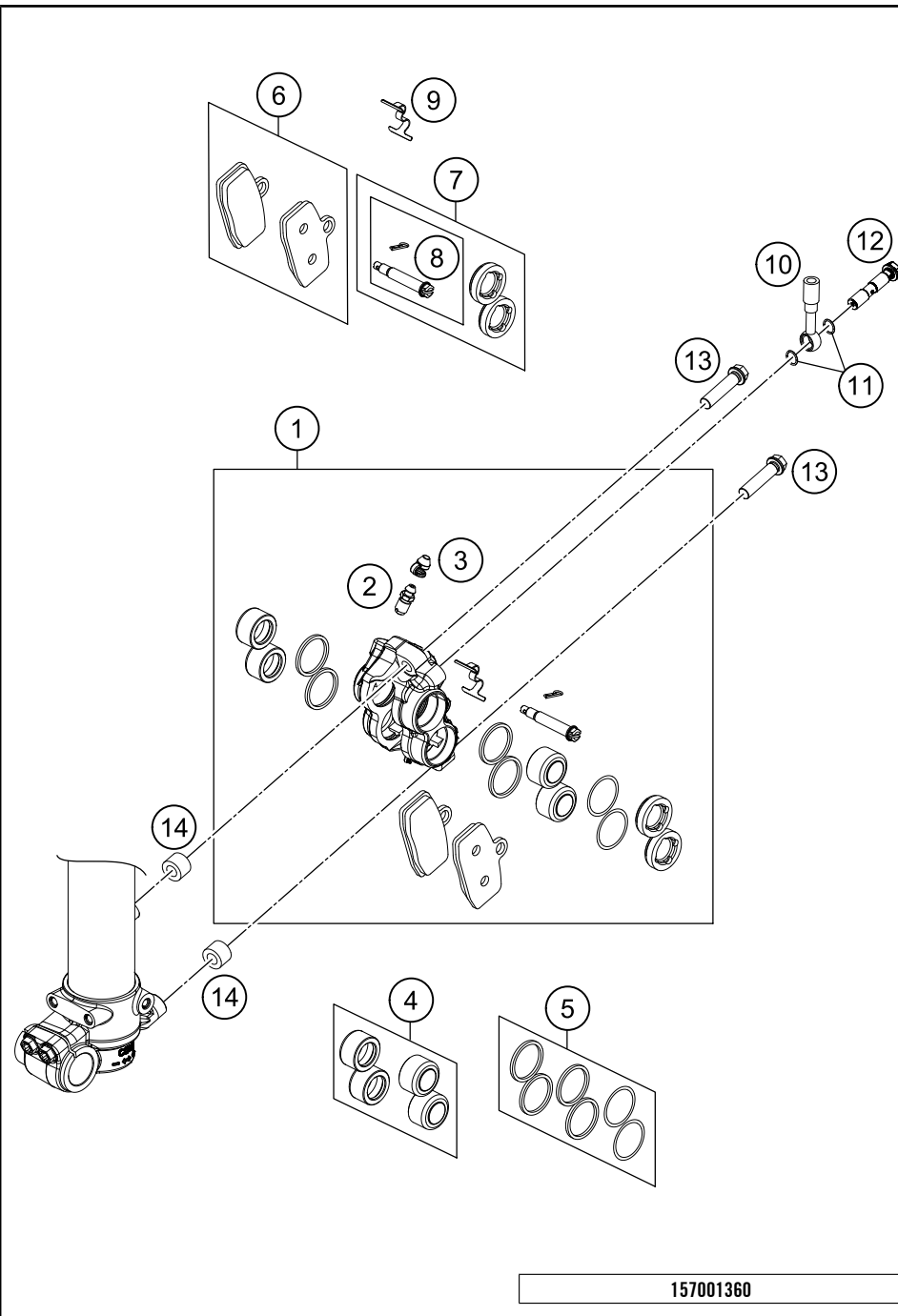
POS	PARTNUMBER	PARTNAME	PIECE
1*	70013001300	HAND BRAKE CYL. CPL. E-SX	1
2	72013005000	CLAMP	1
3	0025060256	HH COLLAR SCREW M6X25 TX30	2
4	72002003000	COVER F. MASTER CYLINDER CPL.	1
5*	70013008000	REP. KIT PISTON	1
6	72013002000	LEVER CPL.	1
7	70002038000	LEVER SCREW CPL.	1
8	72002037000	MUDCOVER CLUTCH LEVER	1
9	72002035000	SPRING FOR CLUTCH LEVER	1
10	70013071000	BRAKE HOSE REAR L=XXXMM 12	1
11	0770080019	O-RING 8,00X1,00 FORMULA	2
12	47013025000	HOLLOW SCREW BRAKE CYLINDER 03	1

157001330

C157001330

* NEW PART

X ON DEMAND



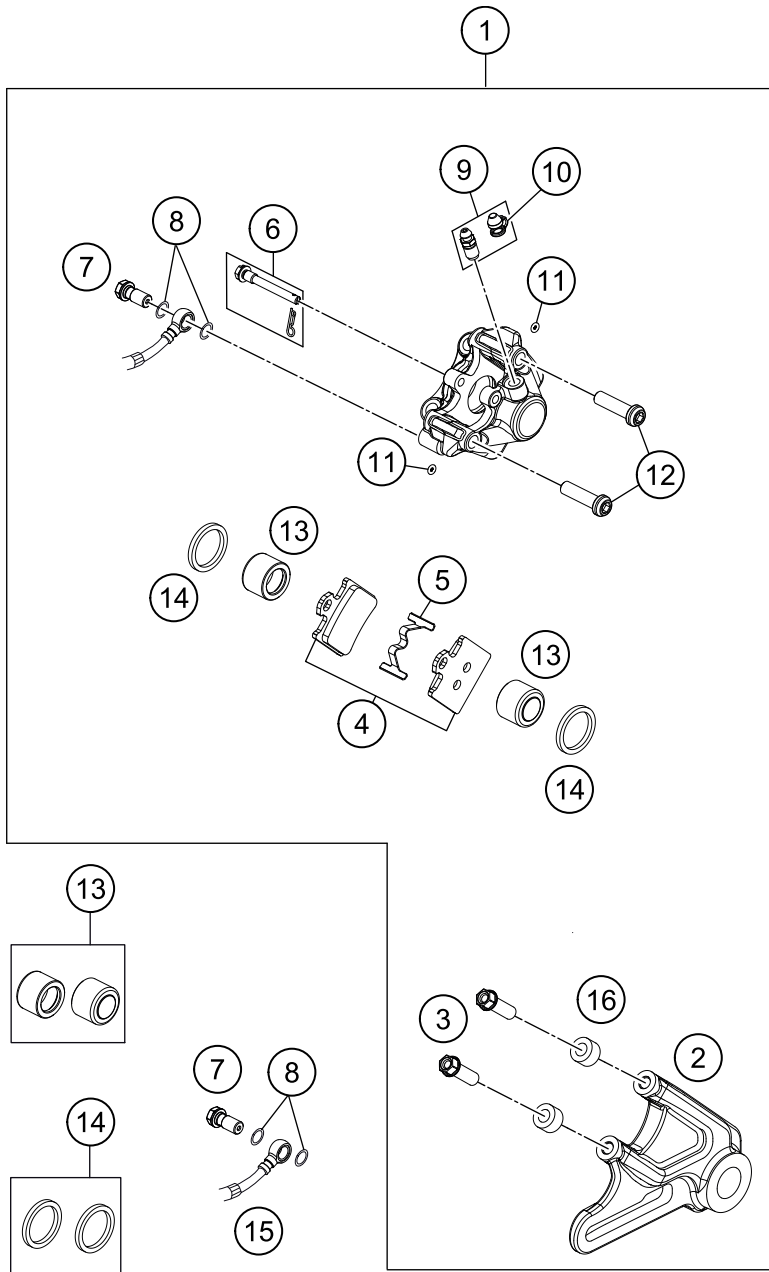
POS	PARTNUMBER	PARTNAME	PIECE
1	47013015100	BRAKE CALIPER FRONT	1
2	47013020000	BLEEDER SCREW M6	1
3	47013021000	CAP FOR BLEEDER SCREW	1
4	47013019000	REPAIR KIT BRAKEPISTON	1
5	47013022000	REP. KIT SEALS	1
6	47013030000	BRAKE PAD SET FRONT 2012	1
7	47013023000	PISTONCOVER 85SX 2012	1
8	47013030050	PIN BRAKE PAD CPL. 2012	1
9	47013018100	RETAINING SPRING FRONT 85SX	1
10	70013010100	BRAKE HOSE FRONT 1065MM	1
11	0770080019	O-RING 8,00X1,00 FORMULA	2
12	47013025000	HOLLOW SCREW BRAKE CYLINDER 03	1
13	0025080456S	HH COLLAR SCREW M8X45 ISA40	2
14	70013098150	DISTANCE SLEEVE 8,1X15X20,5MM	2

157001360

C157001360

* NEW PART

X ON DEMAND



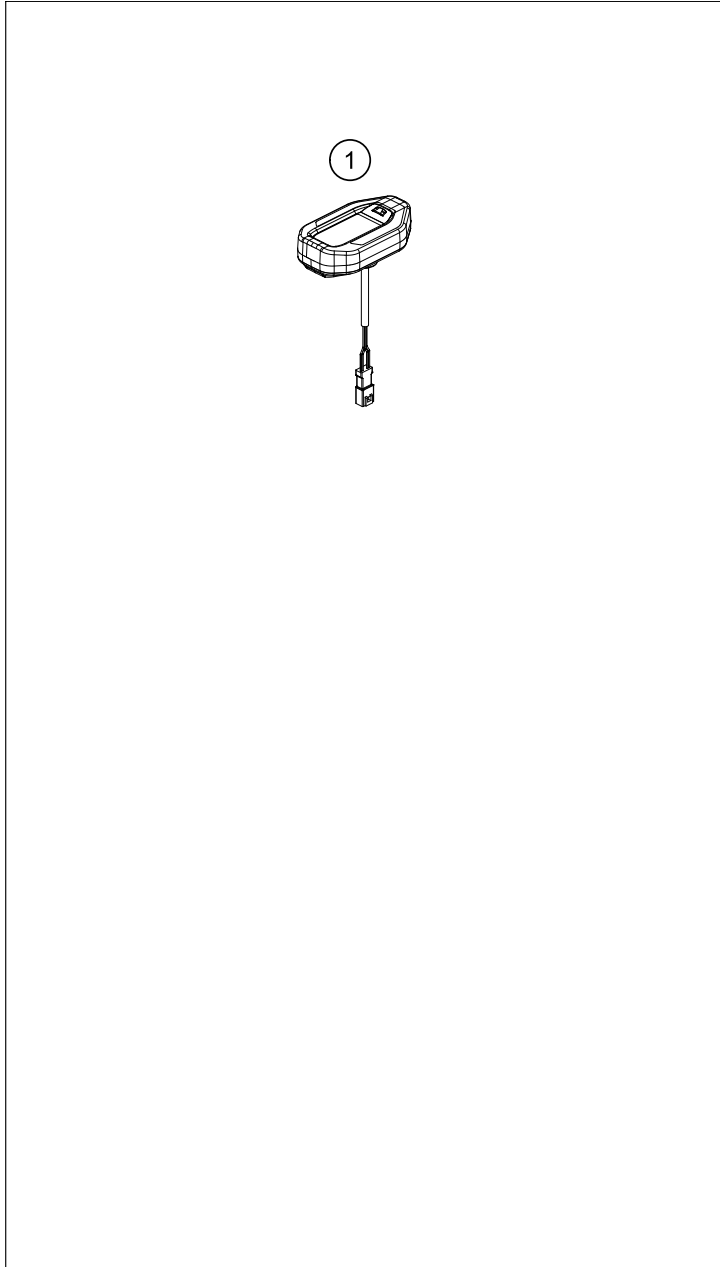
POS	PARTNUMBER	PARTNAME	PIECE
1	47013080300	BREAK CALIPER REAR CPL. 2011	1
2	47013075000	BRAKE CALIPER SUPPORT CPL.	1
3	0025080256	HH COLLAR SCREW M8X25 TX40	2
4	47013090300	BRAKE PADS REAR 85 SX 2011	1
5	47013018000	RETAINING SPRING 85 SX 2011	1
6	47013092000	SPECIAL SCREW WITH SPLINT PIN	1
7	47013025000	HOLLOW SCREW BRAKE CYLINDER 03	1
8	0770080019	O-RING 8,00X1,00 FORMULA	2
9	47013085000	BLEEDER SCREW M8X1	1
10	47013021000	CAP FOR BLEEDER SCREW	1
11	07700257178	O-RING 2,57X1,78	2
12	47013084000	SPECIAL SCREW CALIPER M8X30	2
13	47013083200	REPAIR KIT BRAKEPISTON 2011	2
14	47013081100	REP. KIT SEAL. RINGS REAR 2011	2
15	70013071000	BRAKE HOSE REAR L=XXXMM 12	1
16	70013098050	SPACER SLEEVE F. BRAKE FRONT	2

157001390

C157001390

* NEW PART

X ON DEMAND



POS	PARTNUMBER	PARTNAME	PIECE
1	70045090000	BATTERY CHARGING-LEVEL CONTROL	1

157001430

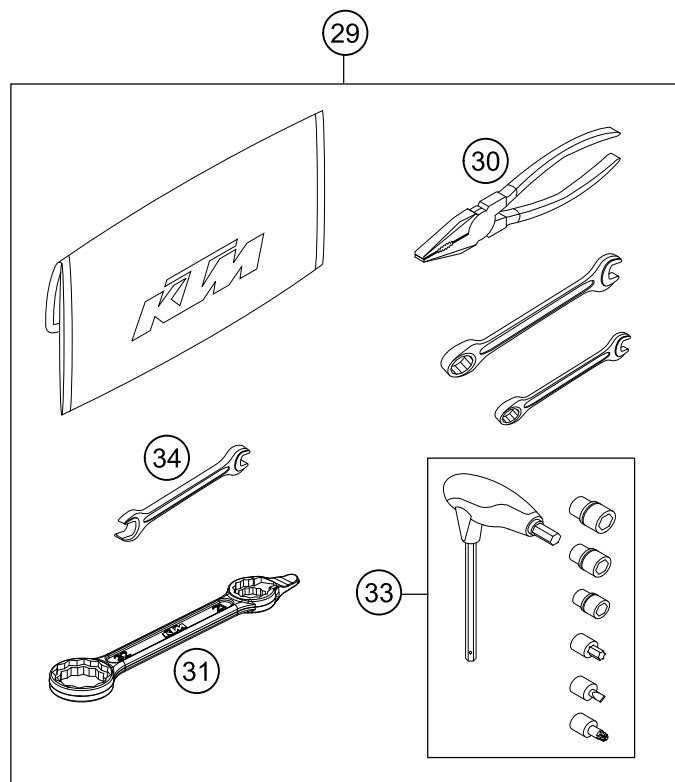
C157001430

* NEW PART

X ON DEMAND

0
OHNE ABBILDUNG
WITHOUT ILLUSTRATION

1
TECHNISCHE DOKUMENTATION
TECHNICAL DOCUMENTATION
DOCUMENTACION TECNICA
DOCUMENTATION TECHNIQUE
NOTE TECNICHE



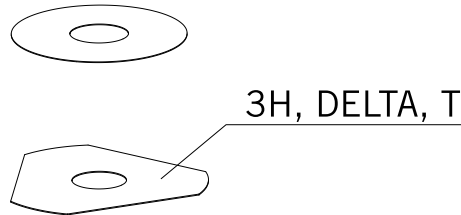
157002000

POS	PARTNUMBER	PARTNAME	PIECE
0	0019080306S	COUNTER-SUNK SCREW ISA45 M8X30	1
0	312305	DOCUMENTS BAG 2006	1
0	3210039	* CUSTOMER WELCOME LETTER	1
0	312313	KTM BALLPOINT PEN ORANGE	1
0	00063004202	PRINT LABEL 60X51 MM	1
0	47103040033	FOOTREST CPL. 14	1
0	70011053000	BATTERIE 12V YUASA NP 1.2-12	1
0	77202002144	BAR PAD CPL.	1
0	0014050253	HH COLLAR SCREW M 5X25 WS=6	2
0	0014050353	HH COLLAR SCREW M5X35 SW=6	2
0	70008092000	DECAL SET FORK WP	1
0	3213187EN	OWN. MANUAL FREERIDE E-SX 15	1
29	77729099000	TOOL KIT 2013	1
30	53012028200	GRIP ORANGE B&F	1
31	50329080100	WRENCH SW=17/21/27/32 B&F	1
33	60029070300	T-WRENCH WS=6/8/10/TX45/SK4X1	1
34	50329072000	SPOKE-SPANNER WS 7/10	1

C157002000

* NEW PART

X ON DEMAND



- ⑤ Ø 5 mm
- ⑥ Ø 6 mm
- ⑧ Ø 8 mm
- ⑩ Ø 10 mm
- ⑫ Ø 12 mm
- ⑭ Ø 14-14,5 mm
- ⑯ Ø 16 mm
- ⑳ Ø 20 mm
- ㉑ Ø 21 mm
- ㉒ Ø 22 mm
- ㉓ Ø 23 mm
- ㉔ Ø 24,5 mm
- ㉘ Ø 28,5 mm
- ㉚ Ø 32 mm
- ㉜ Ø 52 mm

POS	PARTNUMBER	PARTNAME	PIECE
5	44906890	WASHER 5X15X2	X
6	40540400	SHIM 6X12X0,1	X
6	40540401	SHIM 6X14X0,1	X
6	40540402	SHIM 6X16X0,1	X
6	40540403	SHIM 6X18X0,1	X
6	40540404	SHIM 6X12X0,15	X
6	40540405	SHIM 6X14X0,15	X
6	40540406	SHIM 6X16X0,15	X
6	40540407	SHIM 6X18X0,15	X
6	40540408	SHIM 6X12X0,2	X
6	40540409	SHIM 6X14X0,2	X
6	40540410	SHIM 6X16X0,2	X
6	40540411	SHIM 6X18X0,2	X
6	48600095	* SHIM 6X20X0,20	X
6	40540412	SHIM 6X12X0,25	X
6	40540413	SHIM 6X14X0,25	X
6	40540414	SHIM 6X16X0,25	X
6	40540415	SHIM 6X18X0,25	X
6	40540417	SHIM 6X8,5X0,10	X
6	40540418	SHIM 6X9X0,10	X
6	40540419	SHIM 6X9,5X0,10	X
6	40540423	SHIM 6X9,5X0,15	X
6	40540425	SHIM 6X8,5X0,20	X
6	40540426	SHIM 6X9X0,20	X
6	40540427	SHIM 6X9,5X0,20	X
6	40540447	SHIM 6X10X0,3	X
6	40540449	SHIM 6X9X0,3	X
6	40540450	SHIM 6X9,5X0,3	X
6	40540494	SHIM 6X18X0,4	X
6	40540774	SHIM 6X18X0,1 DELTA	X
6	40541383	SHIM 6X11X0,1	X
6	40541391	SHIM 6X11X0,3	X
6	40541402	SHIM 6X11X0,2	X
6	40541403	SHIM 6X10X0,20	X
6	40541404	SHIM 6X10X0,1	X
6	40541405	SHIM 6X10X0,15	X
6	40541406	SHIM 6X11X0,15	X
6	40541408	SHIM 6X8,0X0,30	X

080000190

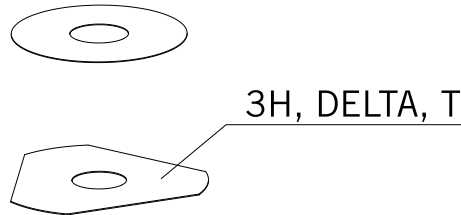
C130009090

* NEW PART

X ON DEMAND



- ⑤ Ø 5 mm
- ⑥ Ø 6 mm
- ⑧ Ø 8 mm
- ⑩ Ø 10 mm
- ⑫ Ø 12 mm
- ⑭ Ø 14-14,5 mm
- ⑯ Ø 16 mm
- ⑳ Ø 20 mm
- ㉑ Ø 21 mm
- ㉒ Ø 22 mm
- ㉓ Ø 23 mm
- ㉔ Ø 24,5 mm
- ㉘ Ø 28,5 mm
- ㉚ Ø 32 mm
- ㉜ Ø 52 mm



POS	PARTNUMBER	PARTNAME	PIECE
6	40541414	SHIM 6X8,0X0,10	X
6	40541416	SHIM 6X8X0,3	X
6	40541417	SHIM 6X11X0,25	X
6	48600102	* SHIM 6X24X0,25	X
6	48600063	SHIM 6X24X0,1	X
6	48600064	SHIM 6X22X0,1	X
6	48600065	SHIM 6X20X0,1	X
6	48600069	SHIM 6X20X0,15	X
6	48600100	SHIM 6X24X0,15	X
6	48600116	SHIM 6X24X0,1 DELTA	X
6	48600139	SHIM 6X22X0,1 DELTA	X
6	48600217	BACKPLATE 6X10X0,25	X
6	48600325	SHIM 6X13X0,1	X
6	48600327	SHIM 6X15X0,1	X
6	48600329	SHIM 6X17X0,1	X
6	48600331	SHIM 6X19X0,1	X
6	48600096	* SHIM 6X20X0,25	X
6	48600097	SHIM 6X22X0,15	X
6	48600099	* SHIM 6X22X0,25	X
6	40540448	BACKPLATE 6X8,5X0,30	X
6	48600479	SHIM 6X20X0,1 T/3H	X
6	48600332	SHIM 6X21X0,1	X
6	48600333	SHIM 6X23X0,1	X
6	40541393	* SHIM 6X12X0,3	X
6	48600330	SHIM 6X17X0,15	X
6	48600988	SHIM 6X28X0,10	X
6	48600989	SHIM 6X26X0,10	X
6	48601091	SHIM 6X28X0,15	X
6	48601093	SHIM 6X26X0,15	X
8	40540477	SHIM 8X18X0,4	X
8	43570120	SHIM 8X18X0,10	X
8	44916098	WASHER 8,4X16X0,8	X
8	44916130	WASHER 8,2X15X1	X
8	44916180	WASHER 8,2X11X1	X
8	48600214	SHIM 8X16X0,1	X
8	48600385	SHIM 8x14x0.25	X
8	48600346	SHIM 8X11X0,2	X
8	48600215	CHECK VALVE 8X20X0,1	X

080000190

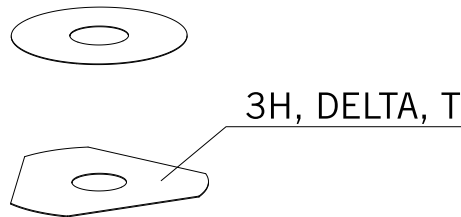
C130009090

* NEW PART

X ON DEMAND



- ⑤ Ø 5 mm
- ⑥ Ø 6 mm
- ⑧ Ø 8 mm
- ⑩ Ø 10 mm
- ⑫ Ø 12 mm
- ⑭ Ø 14-14,5 mm
- ⑯ Ø 16 mm
- ⑳ Ø 20 mm
- ㉑ Ø 21 mm
- ㉒ Ø 22 mm
- ㉓ Ø 23 mm
- ㉔ Ø 24,5 mm
- ㉘ Ø 28,5 mm
- ㉚ Ø 32 mm
- ㉜ Ø 52 mm



POS	PARTNUMBER	PARTNAME	PIECE
8	48600485	SHIM 8X10X0,10	X
8	48601402	SHIM 8X13X0,10	X
8	48600061	CHECK VALVE 8X24X0,4	X
8	48600062	CHECK VALVE 8X24X0,1	X
8	48600216	CHECK VALVE 8X22X0,1	X
8	48600480	SHIM 8X10X0,20	X
8	48600555	SHIM 8X16X0,20	X
8	48600213	SHIM 8X14X0,10	X
8	48600357	CHECK VALVE 8X11X0,1	X
8	48600351	CHECK VALVE 8X12X0,1	X
8	48600607	SHUTTLE VALVE 8X20X0,4	X
8	48601095	SHIM 8X17X0,10	X
8	48600352	CHECK VALVE 8X11X0,4	X
10	36120284	SHIM 10X16X0,10	X
10	36120298	SHIM 10X16X0,2	X
10	36120312	SHIM 10X16X0,30	X
10	36120314	SHIM 10X18X0,30	X
10	36120325	SHIM 10X19X0,15	X
10	36120327	SHIM 10X23X0,15	X
10	36120328	SHIM 10X25X0,15	X
10	36120329	SHIM 10X27X0,15	X
10	36120330	SHIM 10X29X0,15	X
10	36120331	SHIM 10X31X0,15	X
10	36120332	SHIM 10X33X0,15	X
10	36120334	SHIM 10X21X0,20	X
10	36120335	SHIM 10X23X0,20	X
10	36120336	SHIM 10X25X0,20	X
10	36120337	SHIM 10X27X0,20	X
10	36120338	SHIM 10X29X0,20	X
10	36120339	SHIM 10X31X0,20	X
10	36120340	SHIM 10X33X0,20	X
10	36120342	SHIM 10X21X0,25	X
10	36120343	SHIM 10X23X0,25	X
10	36120344	SHIM 10X25X0,25	X
10	36120345	SHIM 10X27X0,25	X
10	36120349	SHIM 10X19X0,30	X
10	36120350	SHIM 10X21X0,30	X
10	40140275	WASHER 10X35X0,15	X

080000190

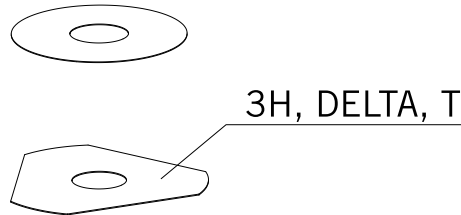
C130009090

* NEW PART

X ON DEMAND



- ⑤ Ø 5 mm
- ⑥ Ø 6 mm
- ⑧ Ø 8 mm
- ⑩ Ø 10 mm
- ⑫ Ø 12 mm
- ⑭ Ø 14-14,5 mm
- ⑯ Ø 16 mm
- ⑰ Ø 20 mm
- ⑱ Ø 21 mm
- ⑳ Ø 22 mm
- ㉑ Ø 23 mm
- ㉒ Ø 24,5 mm
- ㉔ Ø 28,5 mm
- ㉖ Ø 32 mm
- ㉘ Ø 52 mm



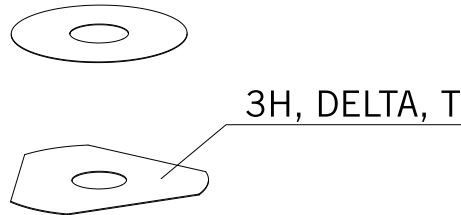
POS	PARTNUMBER	PARTNAME	PIECE
10	36120346	* SHIM 10X29X0,25	X
10	50180010	* SHIM 16X24X0,10	X
10	36120604	SHIM D10XD22X2,5	X
12	46810490	SHIM 12X24X0,20	X
12	46810491	SHIM 12X26X0,20	X
12	46810492	SHIM 12X28X0,20	X
12	46810493	SHIM 12X30X0,20	X
12	46810494	SHIM 12X32X0,20	X
12	46810495	SHIM 12X34X0,20	X
12	46810496	SHIM 12X36X0,20	X
12	46810497	SHIM 12X38X0,20	X
12	46810498	SHIM 12X40X0,20	X
12	46810499	SHIM 12X24X0,25	X
12	46810500	SHIM 12X26X0,25	X
12	46810501	SHIM 12X28X0,25	X
12	46810502	SHIM 12X30X0,25	X
12	46810504	SHIM 12X34X0,25	X
12	46810505	SHIM 12X36X0,25	X
12	46810507	SHIM 12X40X0,25	X
12	46810508	SHIM 12X24X0,30	X
12	46810509	SHIM 12X26X0,30	X
12	46810510	SHIM 12X28X0,30	X
12	46810512	SHIM 12X32X0,30	X
12	46810513	SHIM 12X34X0,30	X
12	46810518	SHIM 12X26X0,15	X
12	46810519	SHIM 12X28X0,15	X
12	46810520	SHIM 12X30X0,15	X
12	46810521	SHIM 12X32X0,15	X
12	46810522	SHIM 12X34X0,15	X
12	46810523	SHIM 12X36X0,15	X
12	46810524	SHIM 12X38X0,15	X
12	46810525	SHIM 12X40X0,15	X
12	46810604	SHIM 12X20X0,10	X
12	46810606	SHIM 12X22X0,10	X
12	46810607	SHIM 12X23X0,10	X
12	46810608	SHIM 12X24X0,10	X
12	46810610	SHIM 12X27X0,15	X
12	46810611	SHIM 12X18X0,15	X

080000190

C130009090

* NEW PART

X ON DEMAND



- ⑤ Ø 5 mm
- ⑥ Ø 6 mm
- ⑧ Ø 8 mm
- ⑩ Ø 10 mm
- ⑫ Ø 12 mm
- ⑭ Ø 14-14,5 mm
- ⑯ Ø 16 mm
- ⑳ Ø 20 mm
- ㉑ Ø 21 mm
- ㉒ Ø 22 mm
- ㉓ Ø 23 mm
- ㉔ Ø 24,5 mm
- ㉘ Ø 28,5 mm
- ㉚ Ø 32 mm
- ㉜ Ø 52 mm

POS	PARTNUMBER	PARTNAME	PIECE
12	46810612	SHIM 12X19X0,15	X
12	46810615	SHIM 12X22X0,15	X
12	46810636	BACKPLATE 12X16X0,30	X
12	46810637	BACKPLATE 12X17X0,30	X
12	46810638	BACKPLATE 12X18X0,30	X
12	46810639	SHIM 12X19X0,30	X
12	46810641	BACKPLATE 12X21X0,30	X
12	46811582	BACKPLATE 12X30X0,10	X
12	46810631	SHIM 12X20X0,25	X
12	46810633	SHIM 12X22X0,25	X
12	46811580	SHIM 12X32X0,10	X
12	46810503	SHIM 12X32X0,25	X
12	46810517	* SHIM 12X24X0,15	X
12	46810640	SHIM 12X20X0,30	X
12	46811258	RING 12X24X2,5	X
12	46812018	SHIM 12X42X0,25	X
12	46812015	SHIM 12X44X0,20	X
14	46811046	SHIM 14,5X35,4X1,25	X
16	50180023	* SHIM 16X23X0,20	X
16	50180030	SHIM	X
16	50180006	BACKPLATE 16X20X0,10	X
16	50180007	SHIM 16X21X0,10	X
16	50180028	SHIM 16X21X0,25	X
16	50180210	WASHER 16X21X1	X
16	50180008	SHIM 16X22X0,10	X
16	50180022	SHIM 16X22X0,20	X
16	50180037	SHIM 16X23X0,30	X
16	50180038	SHIM 16X24X0,30	X
16	50180032	SHIM 15X25X0,25	X
16	50180039	SHIM 16X25X0,30	X
16	50180012	SHIM 16X26X0,10	X
16	50180019	SHIM 16X26X0,15	X
16	50180026	SHIM 16X26X0,20	X
16	50180040	SHIM 16X26X0,30	X
16	50180041	SHIM 16X28X0,10	X
16	50180045	SHIM 16X28X0,15	X
16	50180054	SHIM 16X28X0,20	X
16	50180063	SHIM 16X28X0,25	X

080000190

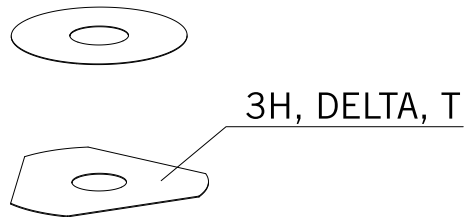
C130009090

* NEW PART

X ON DEMAND



- ⑤ Ø 5 mm
- ⑥ Ø 6 mm
- ⑧ Ø 8 mm
- ⑩ Ø 10 mm
- ⑫ Ø 12 mm
- ⑭ Ø 14-14,5 mm
- ⑯ Ø 16 mm
- ⑳ Ø 20 mm
- ㉑ Ø 21 mm
- ㉒ Ø 22 mm
- ㉓ Ø 23 mm
- ㉔ Ø 24,5 mm
- ㉘ Ø 28,5 mm
- ㉚ Ø 32 mm
- ㉜ Ø 52 mm



POS	PARTNUMBER	PARTNAME	PIECE
16	50180072	SHIM 16X28X0,30	X
16	50180046	SHIM 16X30X0,15	X
16	50180055	SHIM 16X30X0,20	X
16	50180064	SHIM 16X30X0,25	X
16	50180073	SHIM 16X30X0,30	X
16	50180047	SHIM 16X32X0,15	X
16	50180056	SHIM 16X32X0,20	X
16	50180065	SHIM 16X32X0,25	X
16	50180074	SHIM 16X32X0,30	X
16	50180044	SHIM 16X34X0,10	X
16	50180048	SHIM 16X34X0,15	X
16	50180057	SHIM 16X34X0,20	X
16	50180066	SHIM 16X34X0,25	X
16	50180075	SHIM 16X34X0,30	X
16	50180049	SHIM 16X36X0,15	X
16	50180058	SHIM 16X36X0,20	X
16	50180067	SHIM 16X36X0,25	X
16	50180076	SHIM 16X36X0,30	X
16	50180050	SHIM 16X38X0,15	X
16	50180059	SHIM 16X38X0,20	X
16	50180068	SHIM 16X38X0,25	X
16	50180077	SHIM 16X38X0,30	X
16	50180051	SHIM 16X40X0,15	X
16	50180060	SHIM 16X40X0,20	X
16	50180069	SHIM 16X40X0,25	X
16	50180078	SHIM 16X40X0,30	X
16	50180052	SHIM 16X42X0,15	X
16	50180061	SHIM 16X42X0,20	X
16	50180070	SHIM 16X42X0,25	X
16	50180079	SHIM 16X42X0,30	X
16	50180053	SHIM 16X44X0,15	X
16	50180062	SHIM 16X44X0,20	X
16	50180071	SHIM 16X44X0,25	X
16	50180080	SHIM 16X44X0,30	X
16	50180177	WASHER 16X8,2X0,6	X
16	50180033	SHIM 16X26X0,25	X
16	50180034	BACKPLATE 16X20X0,30	X
16	50180035	BACKPLATE 16X21X0,30	X

080000190

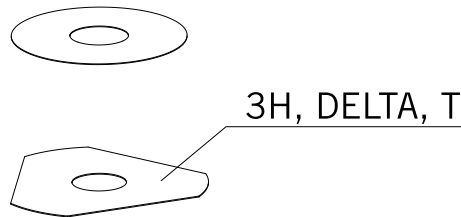
C130009090

* NEW PART

X ON DEMAND



- ⑤ Ø 5 mm
- ⑥ Ø 6 mm
- ⑧ Ø 8 mm
- ⑩ Ø 10 mm
- ⑫ Ø 12 mm
- ⑭ Ø 14-14,5 mm
- ⑯ Ø 16 mm
- ⑳ Ø 20 mm
- ㉑ Ø 21 mm
- ㉒ Ø 22 mm
- ㉓ Ø 23 mm
- ㉔ Ø 24,5 mm
- ㉘ Ø 28,5 mm
- ㉚ Ø 32 mm
- ㉜ Ø 52 mm



POS	PARTNUMBER	PARTNAME	PIECE
16	50180036	BACKPLATE 16X22X0,30	X
16	50180043	SHIM	X
16	50180024	* SHIM 16X24X0,20	X
16	50180027	* SHIM 16X20X0,25	X
16	50180031	SHIM	X
16	50180029	SHIM	X
20	48600212	PRESSURE-RING 20X16,25X0,20	X
20	50180666	SHIM 20X24X0,30	X
20	50180654	SHIM 20X36X0,20	X
20	50180655	SHIM 20X38X0,20	X
20	50180656	SHIM 20X40X0,20	X
20	50180665	SHIM 20X40X0,25	X
20	50180662	SHIM 20X34X0,25	X
20	50180657	SHIM 20X24X0,25	X
20	50180653	SHIM 20X34X0,20	X
20	50180634	RING 20X22,9X1	X
20	50180650	SHIM 20,2X28X0,20	X
20	50180663	SHIM 20X36X0,25	X
20	50180664	SHIM 20X38X0,25	X
20	50180659	SHIM 20,2X28X0,25	X
21	50180209	WASHER 21X36X0,25	X
22	50180330	* PRESS. RING 22X18X0,30	X
23	50180635	SHUTTLE VALVE 23X38X0,25	X
23	50180578	SHIM D23XD16X2	X
24	40541061	WASHER 24,5X34X2	X
28	36120469	SHIM 28,5X14X2	X
28	36120471	SHIM 28,5X14X5	X
32	48600460	WASHER 32X42X2,5	X
32	50600065	SHIM 32X45X2	X
32	46811637	PRESSURE RING 36X32,25	X
52	50600002	SHIM 52X59X2,2	X

080000190

C130009090

* NEW PART

X ON DEMAND

WWW.KTM.COM



KTM Sportmotorcycle GmbH
5230 Mattighofen, Austria
www.ktm.com



KTM_POWERPARTS

KTM_POWERWEAR

KTM_ORIGINAL SPARE PARTS



3CFF300100EN

Art. Nr.: 3CFF300100EN 26. Nov 2014