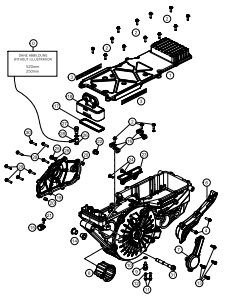
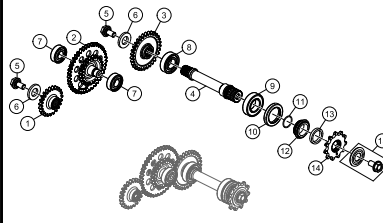
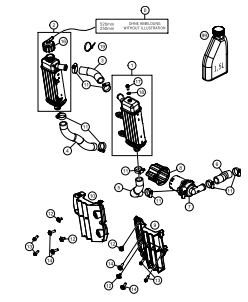

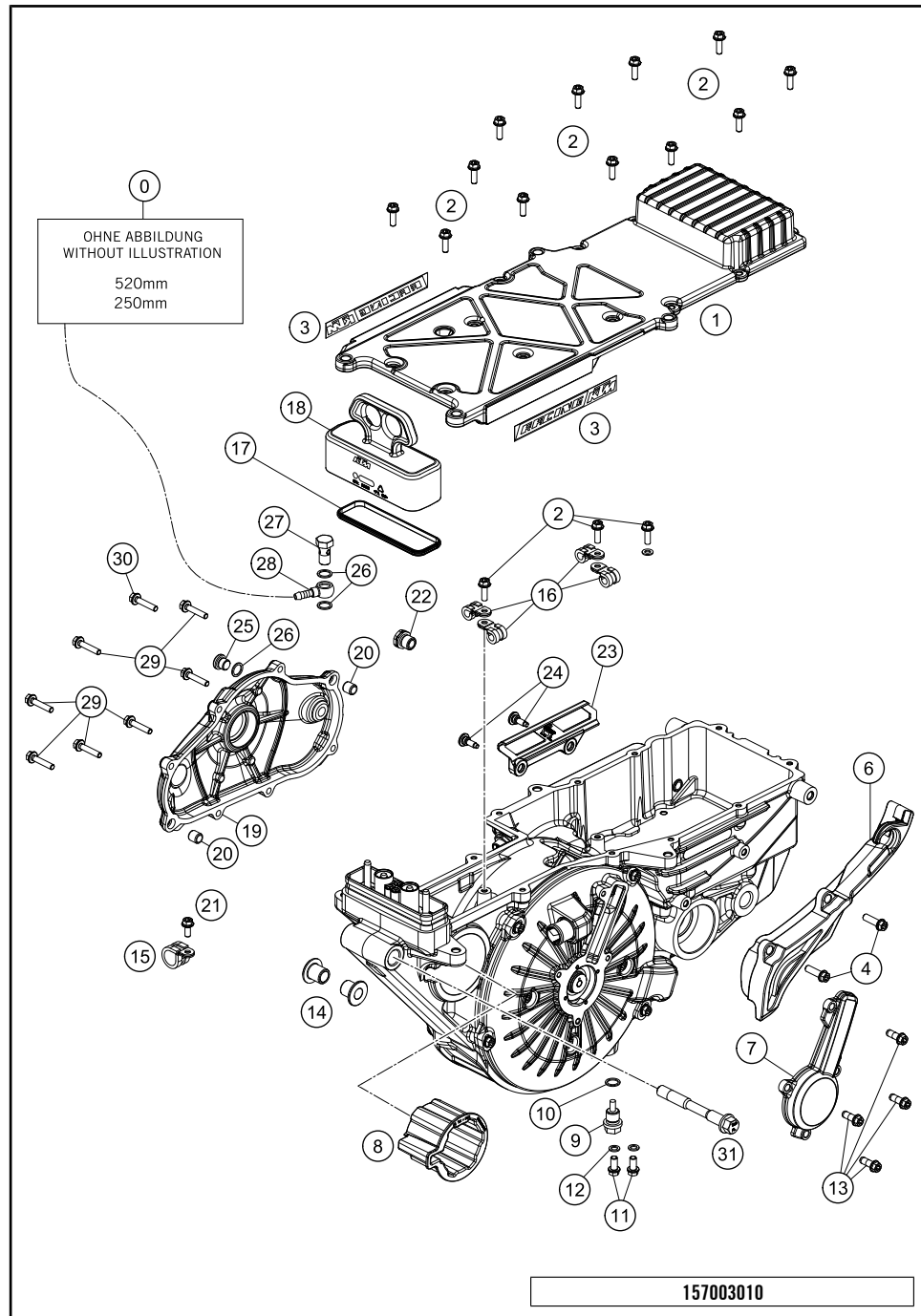


FREERIDE E-SM 2015

ART.-NR.: 3CM0700050EN



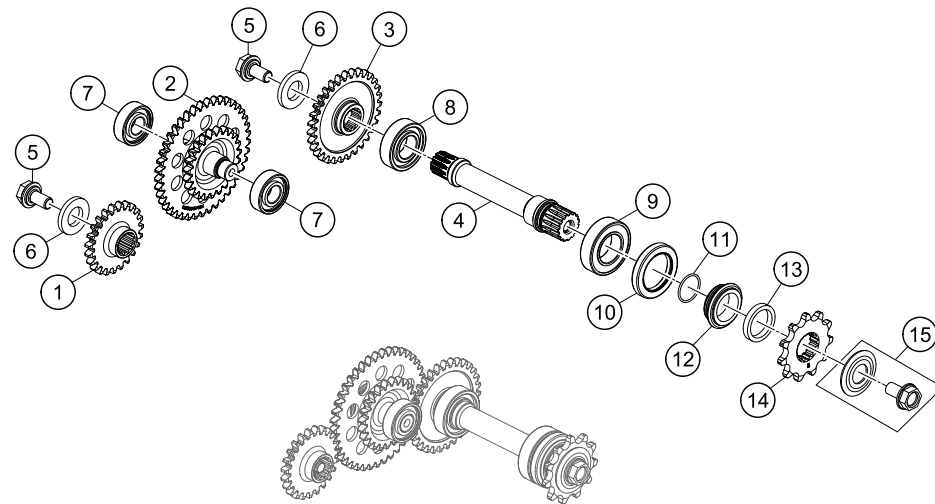
| | | | |
|---|---|--|--|
| <p>ENGINE CASE</p>  <p style="text-align: center;">2</p> | <p>TRANSMISSION</p>  <p style="text-align: center;">3</p> | <p>COOLING SYSTEM</p>  <p style="text-align: center;">4</p> | |
| | | | |
| | <div style="display: flex; align-items: center;">  <p> All information contained is without obligation. KTM Sportmotorcycle GmbH particularly reserves the right to modify any equipment, technical specifications, prices, colors, shapes, materials, services, service work, constructions, equipment and the like so as to adapt them to local conditions or to cancel any of the above items, all without previous announcement and without giving reasons. KTM may stop manufacturing certain models without previous notice. KTM shall not be held liable for any deviations of availability and/or ability to deliver, illustrations, descriptions, printing and/or other errors. The illustrated models partly contain extra equipment, which is not applied to standard models. © by KTM Sportmotorcycle GmbH, Mattighofen AUSTRIA; All rights reserved; Reprint, also in extracts, with written allowance of KTM Sportmotorcycle GmbH, Mattighofen only. </p> </div> | | |



| POS | PARTNUMBER | PARTNAME | PIECE |
|-----|-------------|--------------------------------|-------|
| 0 | 50335030001 | PVC-HOSE 6X9 | 1 |
| 1 | 70045062200 | ENGINE COVER | 1 |
| 2 | 0025050166 | HH COLLAR SCREW M5X16 TX30 | 15 |
| 3 | 70045099000 | DECAL ENGINE COVER | 1 |
| 4 | 0025080206 | HH COLLAR SCREW M8X20 TX40 | 2 |
| 6 | 70003096100 | SPROCKET COVER | 1 |
| 7 | 70045001200 | ROTOR COVER OUTER | 1 |
| 8 | 70035158000 | WATER PUMP SUPPORT | 1 |
| 9 | 58030021000 | OILDRAIN PLUG W.MAG. M 12X1,5 | 1 |
| 10 | 58038022000 | CU-SEAL RING DIN7603-12X18X1,5 | 1 |
| 11 | 0025060126 | HH COLLAR SCREW M6X12 TX30 | 2 |
| 12 | 0603061001 | CU-SEAL RING DIN7603-6X10X1 | 2 |
| 13 | 0025060166S | HH COLLAR SCREW M6X16 ISA 30 | 4 |
| 14 | 70045058000 | BUSHING | 2 |
| 15 | 49007439000 | CLAMP RSGU 15/12 | 1 |
| 16 | 45001070000 | BRAKE CABLE CLAMP RSGU 9/12 | 4 |
| 17 | 70045002100 | SEAL HV-PLUG | 1 |
| 18 | 70029001005 | HV-PLUG COVER CAP | 1 |
| 19 | 70045012200 | GEAR BOX COVER | 1 |
| 20 | 49030090000 | DOWEL 9,8 X 7 X 10 | 2 |
| 21 | 0025050126 | HH COLLAR SCREW M5X12 TX30 | 1 |
| 22 | 70045084000 | BLEEDER VALVE M12X1,5 | 1 |
| 23 | 70045005000 | CABLE COVER | 1 |
| 24 | 69008021060 | SPECIAL SCREW M5X17 | 2 |
| 25 | 0908100000 | PLUG DIN0908-M10X1 A2 | 1 |
| 26 | 0603100141 | COPPER GASKET DIN7603-10X14X1 | 3 |
| 27 | 54313025000 | HOLLOW SCREW M10 X 1 | 1 |
| 28 | 49138493000 | RING COMPONENT 10/6MM | 1 |
| 29 | 0025050256 | HH COLLAR SCREW M5X25 ISA30 | 7 |
| 30 | 0025050206 | HH COLLAR SCREW M5X20 TX30 | 1 |
| 31 | 47003013000 | ENGINE BRACKET SCREW 85 SX | 1 |

* NEW PART

X ON DEMAND



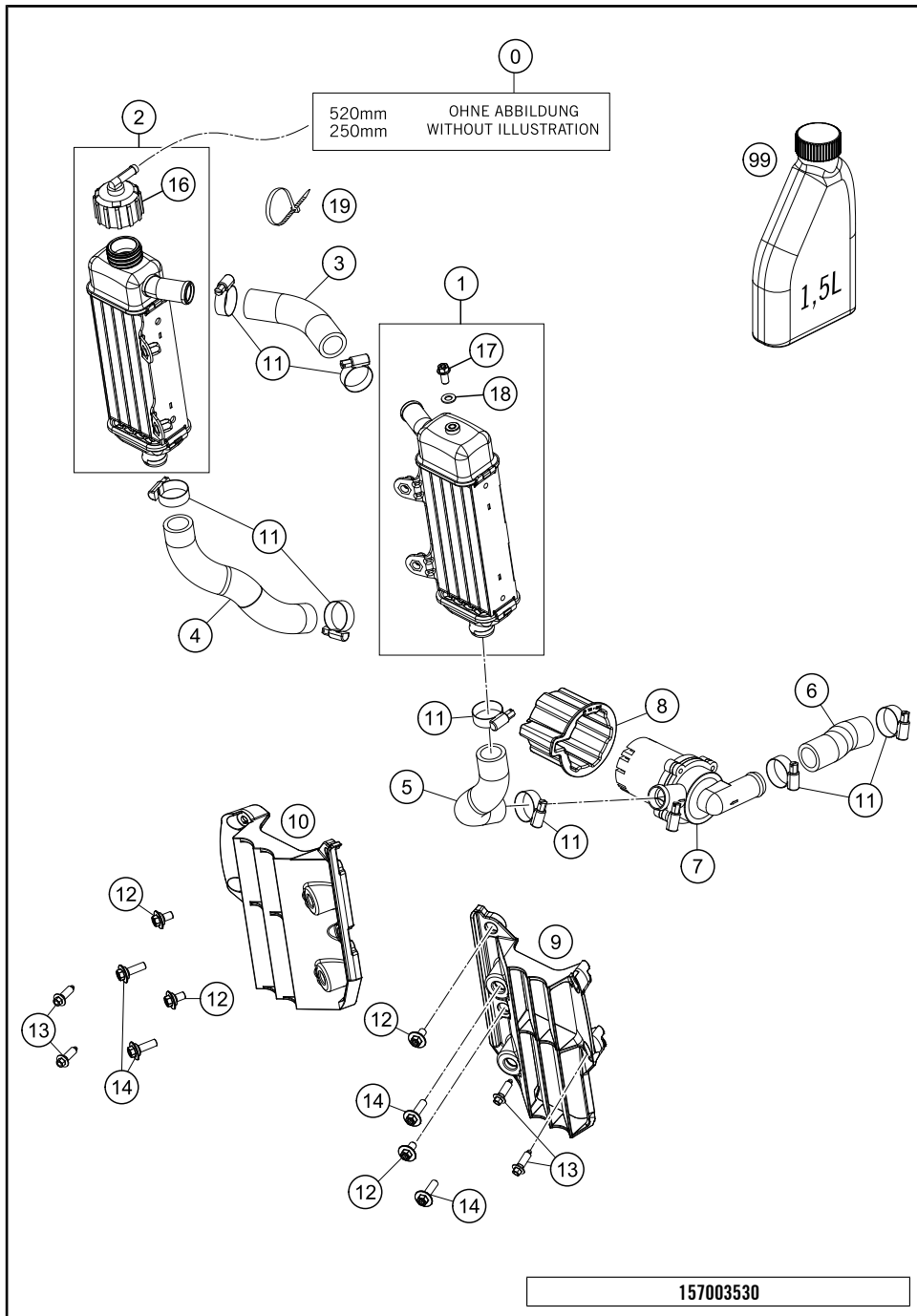
| POS | PARTNUMBER | PARTNAME | PIECE |
|-----|-------------|--------------------------------|-------|
| 1 | 70045024000 | MAIN GEAR T23 | 1 |
| 2 | 70045023100 | IDLER GEAR Z23/Z41 | 1 |
| 3 | 70045025000 | COUNTER GEAR T31 | 1 |
| 4 | 70045022200 | COUNTER SHAFT | 1 |
| 5 | 59033029000 | % HH COLLAR SCREW M10X18 10.9 | 2 |
| 6 | 60039040010 | WASHER 17X32X4 03 | 2 |
| 7 | 0625062022 | BALL BEARING 6202 C0 2 | 2 |
| 8 | 0625204212 | BALL BEARING 6004 C3 | 1 |
| 9 | 0625060058 | GR.BALL BEAR.6005 DDU2CG23S6NM | 1 |
| 10 | 0760324773 | SHAFT SEAL R. 32X47X7BSL VITON | 1 |
| 11 | 0770220015 | O-RING 22X1,5 NBR70 | 1 |
| 12 | 78133014000 | SPACER SLEEVE COUNTER | 1 |
| 13 | 70045026000 | SPACER SLEEVE 25X32X5 | 1 |
| 14 | 50033029012 | FRONT SPROCKET 12-T | 1 |
| 15 | 59033034044 | SCREW 10.9+SPRING WASHER | 1 |

157003330

C157003331

* NEW PART

X ON DEMAND



| POS | PARTNUMBER | PARTNAME | PIECE |
|-----|---------------|--------------------------------|-------|
| 0 | 50335030001 | PVC-HOSE 6X9 | 1 |
| 1 | 70035007000 | RADIATOR L/S "VW2146" 13 | 1 |
| 2 | 70035008000 | RADIATOR R/S "VW2147" 13 | 1 |
| 3 | 70035028000 | RADIATOR HOSE RADIATOR-RADIAT. | 1 |
| 4 | 70035025000 | RADIATOR HOSE CASE-RADIATOR | 1 |
| 5 | 70035024000 | RADIATOR HOSE RADIATOR-WAPU | 1 |
| 6 | 70035027000 | RADIATOR HOSE WAPU-ROTORCOVER | 1 |
| 7 | 70035150000 | % WATER PUMP | 1 |
| 8 | 70035158000 | WATER PUMP SUPPORT | 1 |
| 9 | 7003503400030 | RADIATOR PROTECTOR L/S BLACK | 1 |
| 10 | 7003503500030 | RADIATOR PROTECTOR R/S BLACK | 1 |
| 11 | 10001020000 | HOSE CLAMP GEMI 18-29 | 8 |
| 12 | 83008000012 | SPECIAL SCREW M6X12X3 | 4 |
| 13 | 0017060204 | %EJOT PT SCREW K60X20 ALU WS=6 | 4 |
| 14 | 83008100020 | SCREW M6X20X5,5 | 4 |
| 16 | 70035016000 | RADIATOR CAP 0,5 BAR | 1 |
| 17 | 0025060126 | HH COLLAR SCREW M6X12 TX30 | 1 |
| 18 | 60035048000 | ALU-GASKET 6X10X1,5 | 1 |
| 19 | 44011076200 | CABLE TIE 200/3,6MM BLACK | 1 |
| 99 | 00062020203 | COOLING FLUID 1,5L | 1 |

157003530

C157003530

* NEW PART X ON DEMAND

A large, empty rectangular box with a thin black border, occupying the majority of the page. It is intended for the user to write their notes.

WWW.KTM.COM



KTM Sportmotorcycle GmbH
5230 Mattighofen, Austria
www.ktm.com



KTM_POWERPARTS

KTM_POWERWEAR

KTM_ORIGINAL SPARE PARTS



3CM0700050EN

Art. Nr.: 3CM0700050EN 11. Mai 2015