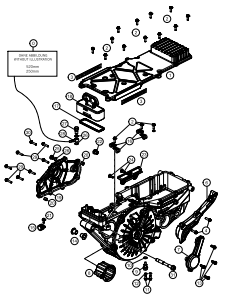
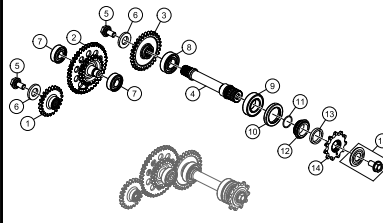
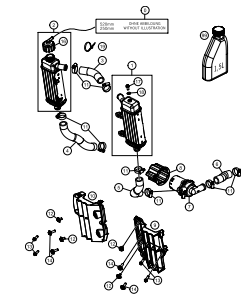

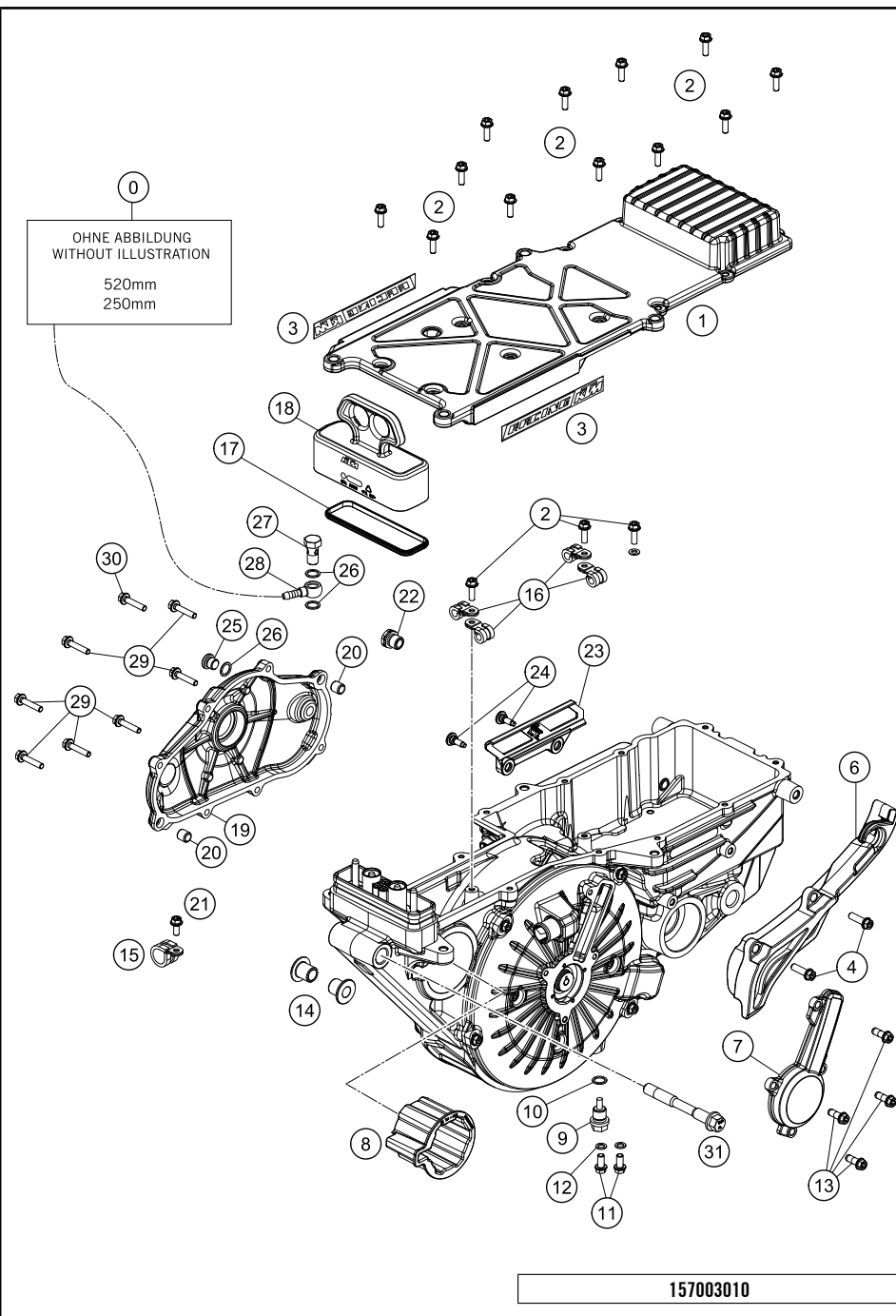


FREERIDE E-SM 2016

ART.-NR.: 3CM070005PEN

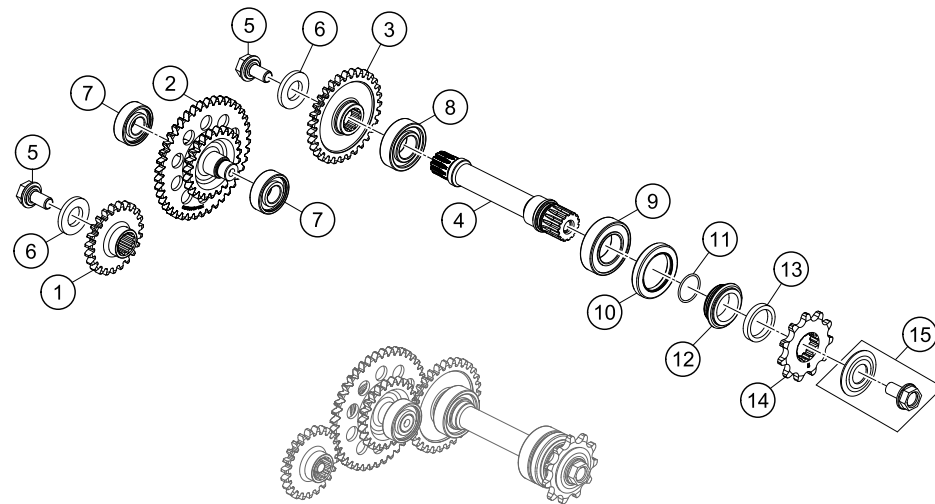


<p>ENGINE CASE</p>  <p style="text-align: center;">2</p>	<p>TRANSMISSION</p>  <p style="text-align: center;">3</p>	<p>COOLING SYSTEM</p>  <p style="text-align: center;">4</p>	
	<div style="display: flex; align-items: center;">  <p> All information contained is without obligation. KTM Sportmotorcycle GmbH particularly reserves the right to modify any equipment, technical specifications, prices, colors, shapes, materials, services, service work, constructions, equipment and the like so as to adapt them to local conditions or to cancel any of the above items, all without previous announcement and without giving reasons. KTM may stop manufacturing certain models without previous notice. KTM shall not be held liable for any deviations of availability and/or ability to deliver, illustrations, descriptions, printing and/or other errors. The illustrated models partly contain extra equipment, which is not applied to standard models. © by KTM Sportmotorcycle GmbH, Mattighofen AUSTRIA; All rights reserved; Reprint, also in extracts, with written allowance of KTM Sportmotorcycle GmbH, Mattighofen only. </p> </div>		



POS	PARTNUMBER	PARTNAME	PIECE
0	50335030001	PVC-HOSE 6X9	1
1	70045062200	ENGINE COVER	1
2	0025050166	HH COLLAR SCREW M5X16 TX30	15
3	70045099000	DECAL ENGINE COVER	1
4	0025080206	HH COLLAR SCREW M8X20 TX40	2
6	70003096100	SPROCKET COVER	1
7	70045001200	ROTOR COVER OUTER	1
8	70035158000	WATER PUMP SUPPORT	1
9	58030021000	OILDRAIN PLUG W.MAG. M 12X1,5	1
10	58038022000	CU-SEAL RING DIN7603-12X18X1,5	1
11	0025060126	HH COLLAR SCREW M6X12 TX30	2
12	0603061001	CU-SEAL RING DIN7603-6X10X1	2
13	0025060166S	HH COLLAR SCREW M6X16 ISA 30	4
14	70045058000	BUSHING	2
15	49007439000	CLAMP RSGU 15/12	1
16	45001070000	BRAKE CABLE CLAMP RSGU 9/12	4
17	70045002100	SEAL HV-PLUG	1
18	70029001005	HV-PLUG COVER CAP	1
19	70045012200	GEAR BOX COVER	1
20	49030090000	DOWEL 9,8 X 7 X 10	2
21	0025050126	HH COLLAR SCREW M5X12 TX30	1
22	70045084000	BLEEDER VALVE M12X1,5	1
23	70045005000	CABLE COVER	1
24	69008021060	SPECIAL SCREW M5X17	2
25	0908100000	PLUG DIN0908-M10X1 A2	1
26	0603100141	COPPER GASKET DIN7603-10X14X1	3
27	54313025000	HOLLOW SCREW M10 X 1	1
28	49138493000	RING COMPONENT 10/6MM	1
29	0025050256	HH COLLAR SCREW M5X25 ISA30	7
30	0025050206	HH COLLAR SCREW M5X20 TX30	1
31	47003013000	ENGINE BRACKET SCREW 85 SX	1

* NEW PART X ON DEMAND



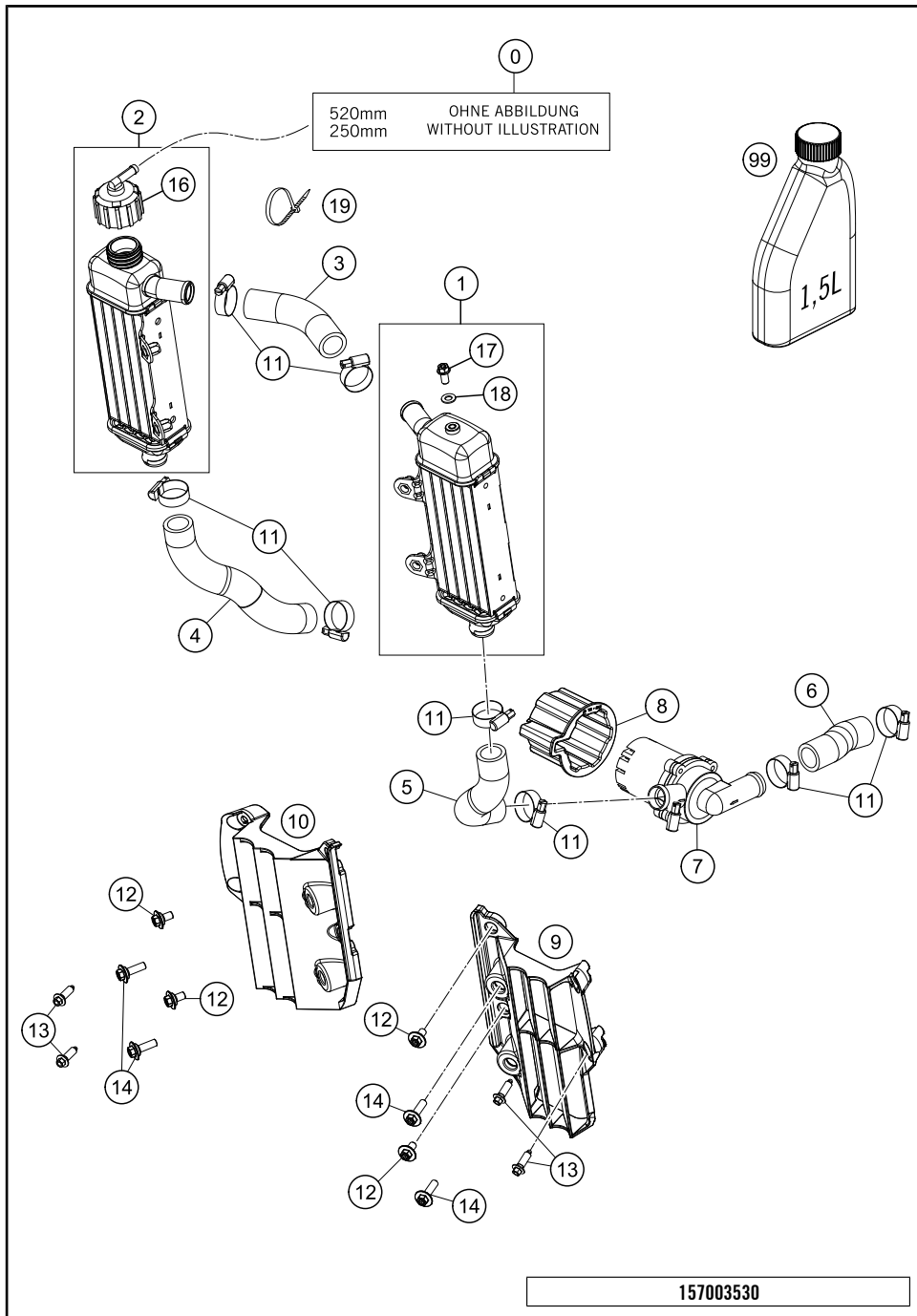
POS	PARTNUMBER	PARTNAME	PIECE
1	70045024000	MAIN GEAR T23	1
2	70045023100	IDLER GEAR Z23/Z41	1
3	70045025000	COUNTER GEAR T31	1
4	70045022200	COUNTER SHAFT	1
5	59033029000	% HH COLLAR SCREW M10X18 10.9	2
6	60039040010	WASHER 17X32X4 03	2
7	0625062022	BALL BEARING 6202 C0 2	2
8	0625204212	BALL BEARING 6004 C3	1
9	0625060058	GR.BALL BEAR.6005 DDU2CG23S6NM	1
10	0760324773	SHAFT SEAL R. 32X47X7BSL VITON	1
11	0770220015	O-RING 22X1,5 NBR70	1
12	78133014000	SPACER SLEEVE COUNTER	1
13	70045026000	SPACER SLEEVE 25X32X5	1
14	50033029012	FRONT SPROCKET 12-T	1
15	59033034044	SCREW 10.9+SPRING WASHER	1

157003330

C157003331

* NEW PART

X ON DEMAND



POS	PARTNUMBER	PARTNAME	PIECE
0	50335030001	PVC-HOSE 6X9	1
1	70035007000	RADIATOR L/S "VW2146" 13	1
2	70035008000	RADIATOR R/S "VW2147" 13	1
3	70035028000	RADIATOR HOSE RADIATOR-RADIAT.	1
4	70035025000	RADIATOR HOSE CASE-RADIATOR	1
5	70035024000	RADIATOR HOSE RADIATOR-WAPU	1
6	70035027000	RADIATOR HOSE WAPU-ROTORCOVER	1
7	70035150000	WATER PUMP	1
8	70035158000	WATER PUMP SUPPORT	1
9	7003503400030	RADIATOR PROTECTOR L/S BLACK	1
10	7003503500030	RADIATOR PROTECTOR R/S BLACK	1
11	10001020000	HOSE CLAMP GEMI 18-29	8
12	83008000012	SPECIAL SCREW M6X12X3	4
13	0017060204	%EJOT PT SCREW K60X20 ALU WS=6	4
14	83008100020	SCREW M6X20X5,5	4
16	70035016000	RADIATOR CAP 0,5 BAR	1
17	0025060126	HH COLLAR SCREW M6X12 TX30	1
18	60035048000	ALU-GASKET 6X10X1,5	1
19	44011076200	CABLE TIE 200/3,6MM BLACK	1
99	00062020203	COOLING FLUID 1,5L	1

157003530

C157003530

* NEW PART

X ON DEMAND

A large, empty rectangular box with a thin black border, occupying the majority of the page. It is intended for the user to write their notes.

WWW.KTM.COM



KTM Sportmotorcycle GmbH
5230 Mattighofen, Austria
www.ktm.com



KTM_POWERPARTS

KTM_POWERWEAR

KTM_ORIGINAL SPARE PARTS



3CM070005PEN

Art. Nr.: 3CM070005PEN 9. Mär 2015