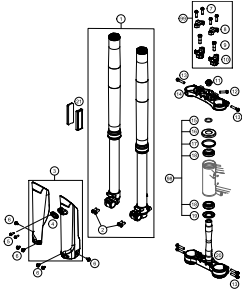
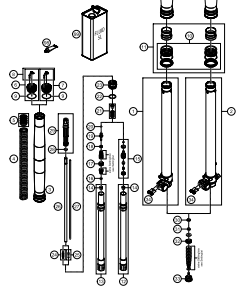
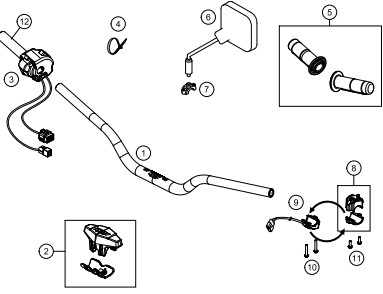
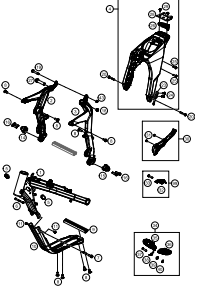
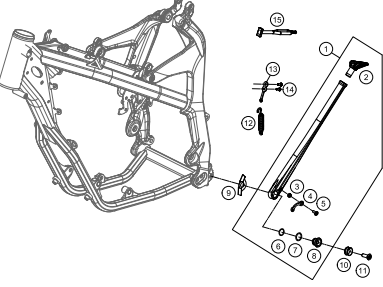
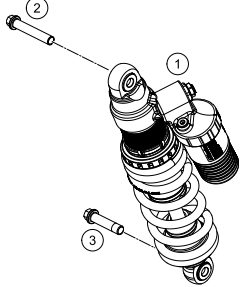
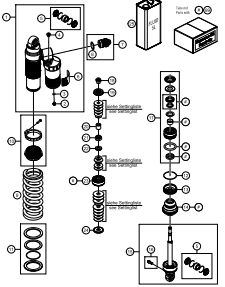
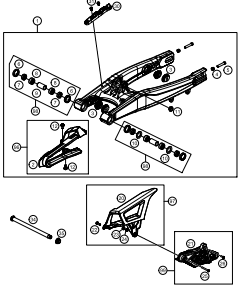
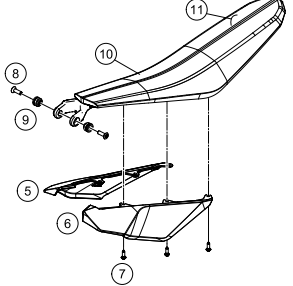
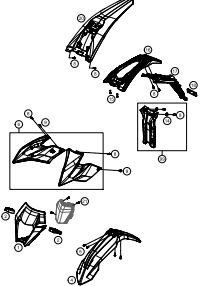
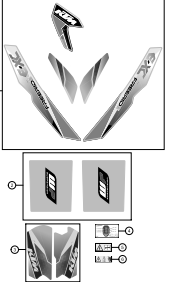
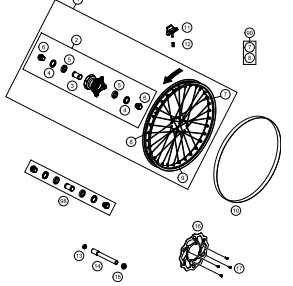
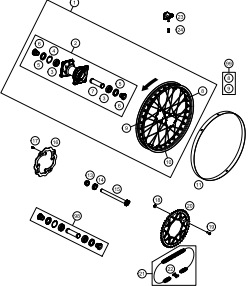
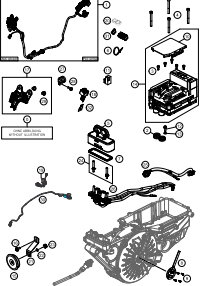
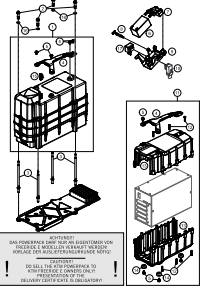
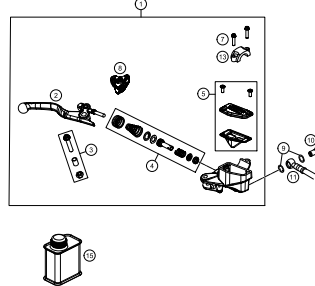
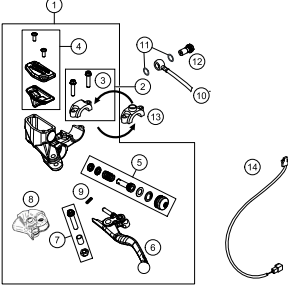
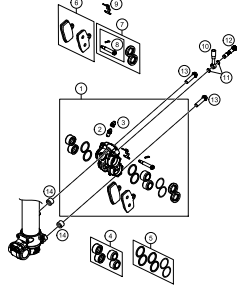
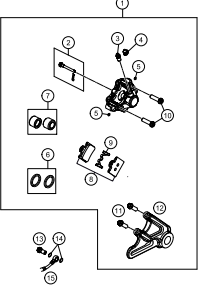
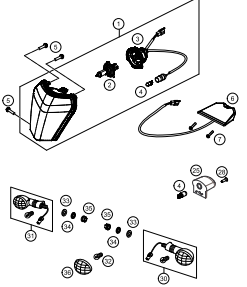
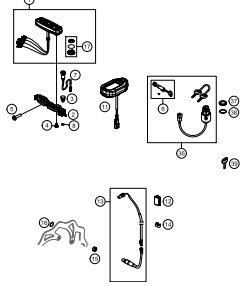
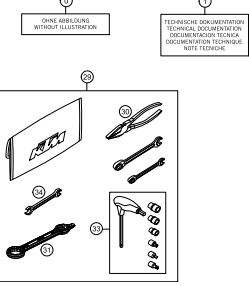
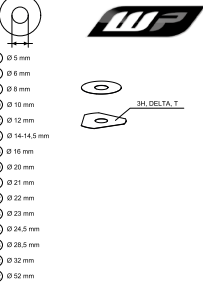


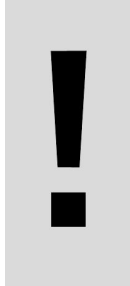
Freeride E-XC NG 2018

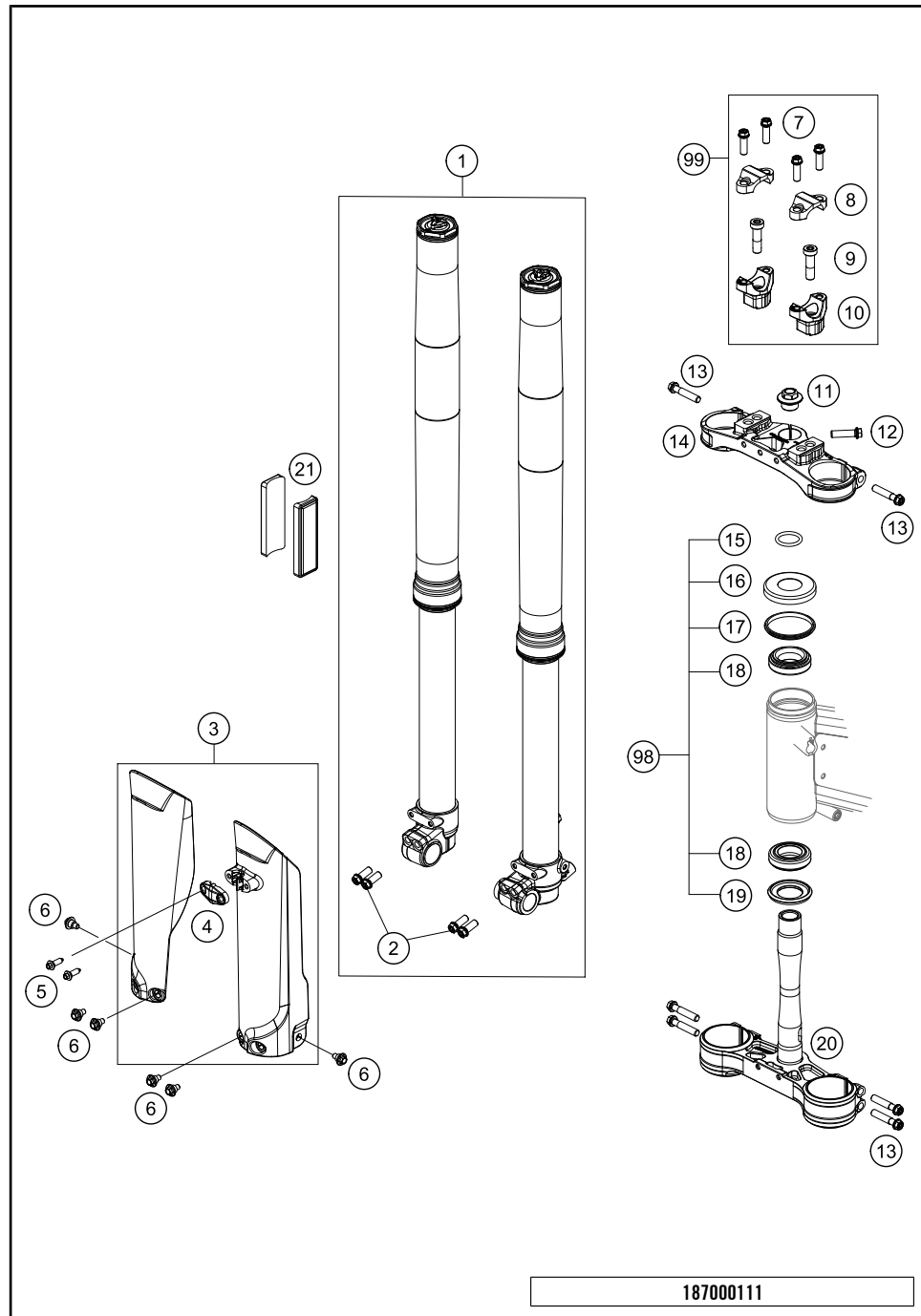
ART.-NR.: F3001R3EN



<p>FRONT FORK, TRIPLE CLAMP</p>  <p>4</p>	<p>FRONT FORK DISASSEMBLED</p>  <p>5</p>	<p>HANDLEBAR, CONTROLS</p>  <p>6</p>	<p>FRAME</p>  <p>7</p>
<p>SIDE / CENTER STAND</p>  <p>8</p>	<p>SHOCK ABSORBER</p>  <p>9</p>	<p>SHOCK ABSORBER DISASSEMBLED</p>  <p>10</p>	<p>SWING ARM</p>  <p>11</p>
<p>TANK, SEAT, COVER</p>  <p>12</p>	<p>MASK, FENDERS</p>  <p>13</p>	<p>DECAL</p>  <p>14</p>	<p>FRONT WHEEL</p>  <p>15</p>

<p>REAR WHEEL</p>  <p>16</p>	<p>WIRING HARNESS</p>  <p>17</p>	<p>BATTERY</p>  <p>18</p>	<p>FRONT BRAKE CONTROL</p>  <p>19</p>
<p>REAR BRAKE CONTROL</p>  <p>20</p>	<p>FRONT BRAKE CALIPER</p>  <p>21</p>	<p>REAR BRAKE CALIPER</p>  <p>22</p>	<p>LIGHTING SYSTEM</p>  <p>23</p>
<p>INSTRUMENTS / LOCK SYSTEM</p>  <p>24</p>	<p>SEPERATE ENCLOSURE</p>  <p>25</p>	<p>WP SHIMS FOR SETTING</p>  <p>26</p>	

		<p>All information contained is without obligation. KTM Sportmotorcycle GmbH particularly reserves the right to modify any equipment, technical specifications, prices, colors, shapes, materials, services, service work, constructions, equipment and the like so as to adapt them to local conditions or to cancel any of the above items, all without previous announcement and without giving reasons. KTM may stop manufacturing certain models without previous notice. KTM shall not be held liable for any deviations of availability and/or ability to deliver, illustrations, descriptions, printing and/or other errors. The illustrated models partly contain extra equipment, which is not applied to standard models.</p> <p>© by KTM Sportmotorcycle GmbH, Mattighofen AUSTRIA; All rights reserved; Reprint, also in extracts, with written allowance of KTM Sportmotorcycle GmbH, Mattighofen only.</p>	



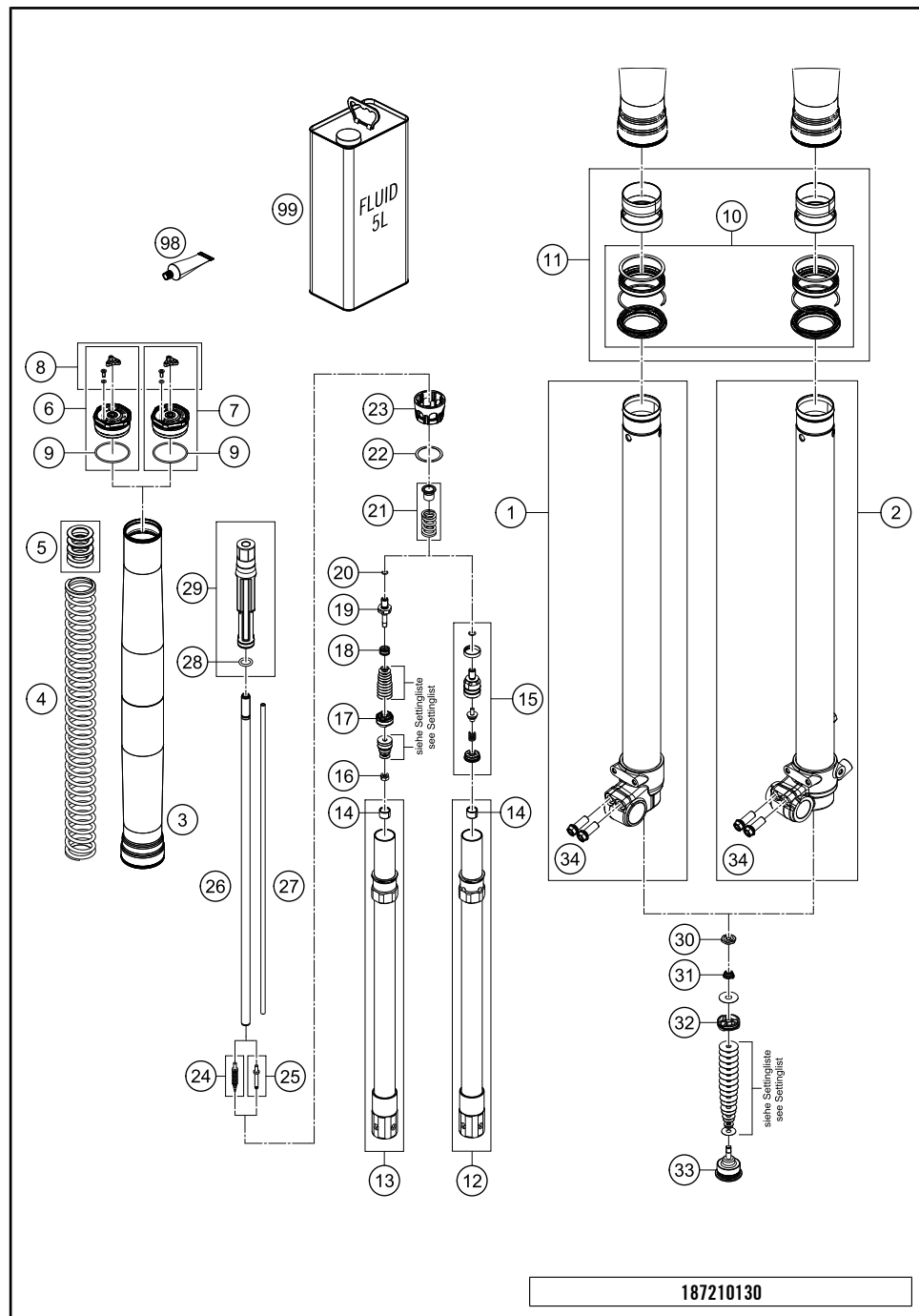
187000111

POS	PARTNUMBER	PARTNAME	PIECE
1	05188R4001	Fork 250 F Freeride 18	1
2	0025080206	HH collar screw M8x20 TX40	4
3	4720109400028C	Gabelschutz-Set Freeride E-XC NB 18	1
4	7770108510028	CLAMP BRAKE HOSE	1
5	0017060206	SCREW F. PLASTIC K60X20AL SW6	2
6	59001092050	SPECIAL SCREW M6X12,5 WS=8	6
7	0025080256	HH collar screw M8x25 TX40	4
8	77201038000	HANDLEBAR CLAMP 28MM	2
9	0032100356S	AH-COLLAR SCREW M10X35 ISA45	2
10	59401039037	HANDLEB.SUPP. D=28MM H=37MM 05	2
11	70009082000	AXLESCREW M20X1.5; SW17	1
12	0015080256S	HH COLLAR SCREW M8X25 WS=10	1
13	0025080406	HH COLLAR SCREW M8X40 TX40	6
14	7210103402030	Upper fork crown	1
15	0770025035	O-RING 25X3,55 NBR70 05	1
16	78101086000	STEERING HEAD COVER	1
17	54601184000	STEERING HEAD GASKET TOP	1
18	54201081100	TAPERED ROLLER BEARING CPL. 06	2
19	77701084000	O-RING SUPPORT W. SEALING LIP	1
20	7210103202030	Bottom triple clamp cpl.	1
21	58412080300	REFLECTOR YELLOW "CEV"	2
98	00050000930	STEERING HEAD REP. KIT 06-15	x
99	59401039044	HANDLEBAR SUPPORT D=28MM/H=37	x

49145

* NEW PART

X ON DEMAND



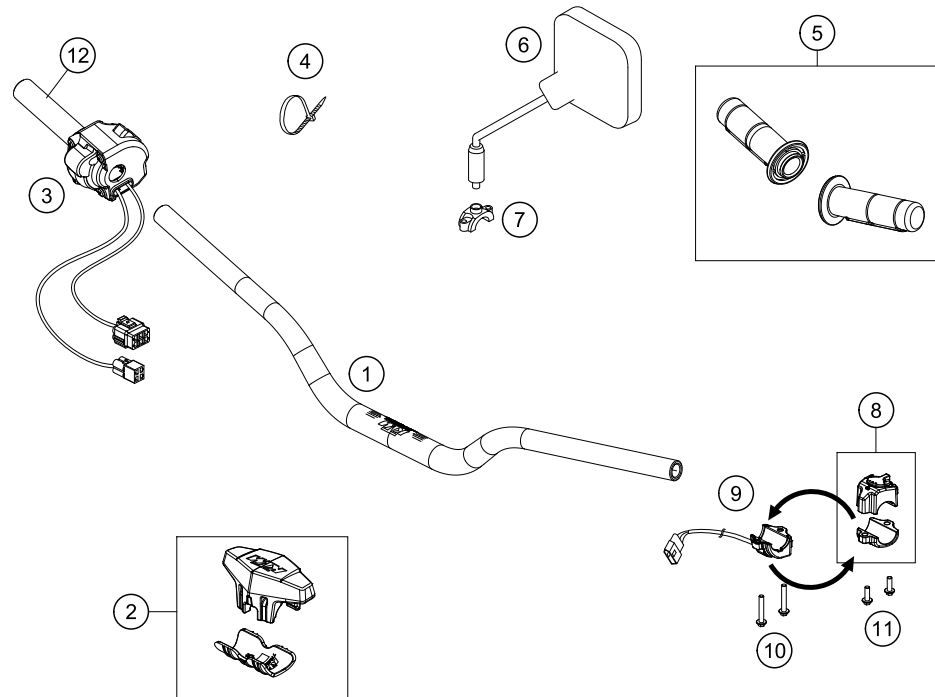
POS	PARTNUMBER	PARTNAME	PIECE
1	43570810S1	Axle clamp right + tube cpl.	1
2	43570809S1	Axle clamp left + tube cpl.	1
3	43570614E	OUTER TUBE L510 D49/53	2
4	95010054S	SPRING 4,8 N/MM SET	2
4	95010050S	SPRING 4,6 N/MM SET	x
4	95010087	Feder l=415mm 50N/mm	x
5	R14054	REP. KIT SPACER	1
6	43570807S	Screw cap M46x1,5 cpl.	1
7	43570806S	Screw cap M46X1,5 cpl.	1
8	R14033	SCREW CAP SMALL PART KIT	1
9	43570023	O-RING NBR 41X2	2
10	R516	Gasket Set 43mm HD+ red	1
11	RP10017	Revision Kit 43mm	1
12	48600870S2	Pipe incl. threaded sleeve with hole	1
13	48600870S1	Pipe incl. threaded sleeve	1
14	48600430	DU BUSH FOR PISTON ROD	2
15	48601843S	Tap compression cpl.	1
16	40540486	NUT M6X0,5 REBOUND	1
17	48600575S1	Piston cpl.	1
18	35480377	SPRING CHECK VALVE D=0,5	1
19	48600576	PISTON ROD REBOUND	1
20	48600299	O-RING 6X1,2 NBR	1
21	48600578S	SPRING REBOUND + SPRING GUIDE	2
22	48601702	washer 27,5x33x0,3	2
23	43570808	Spring compression D38 D27	2
24	48600277S	ADJUSTING NEEDLE CPL.	1
25	48601558S	COMPRESSION ADJ. NEEDLE CPL.	1
26	48601822	Piston rod Ø12 l=483	2
27	48601839	Adjustment tube l 450,6 D6	2
28	04500003	O-RING 11X2,5 NBR 70 SH PTFE	2
29	43570860S	Stop l=167 Ø28,6 Freeride cpl.	2
30	48600163	CHECK VALVE NUT M6X0,5 D=2	2
31	48600202	SPRING CHECK VALVE D=0,7	2
32	48600047S	PISTON + O-RING	2
33	48601553S	SCREW CAP OC SPLIT CPL.	2
34	0025080206	HH collar screw M8x20 TX40	4
98	T14034	Fuchs grease IPR (250g)	1
99	48601166S1	FORK OIL SAE4 5L	1

187210130

19125

* NEW PART

X ON DEMAND



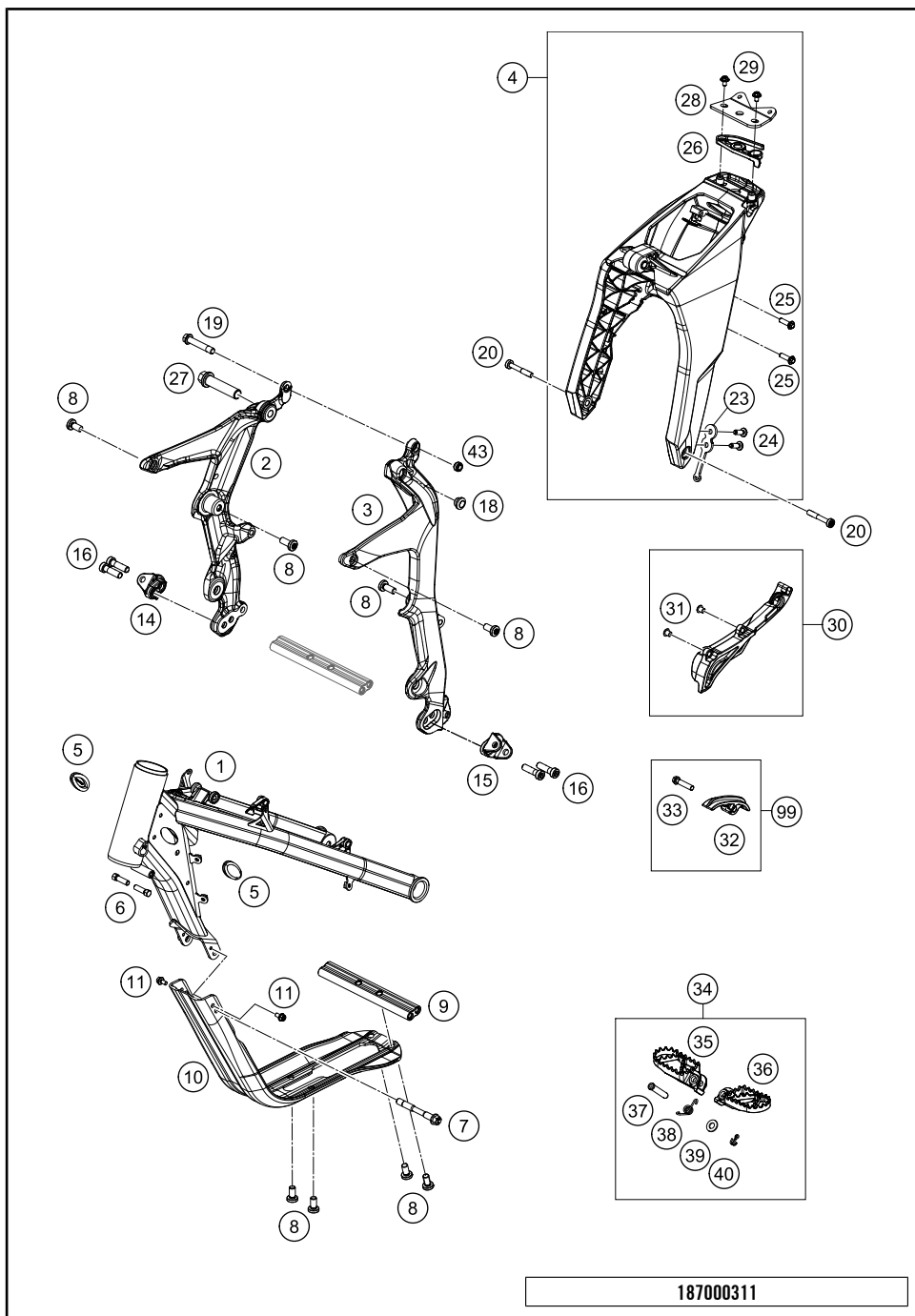
POS	PARTNUMBER	PARTNAME	PIECE
1	7800200100030	HANDLEBAR	1
2	77202002144	BAR PAD CPL.	1
3	70011073000	E-THROTTLE GRIP	1
4	44011076305	CABLE TIE 300/4,8MM BLACK	2
5	70102021000	Grip set	1
6	58012040000	REAR MIRROR L/S	1
6	58012140000	REAR MIRROR R/S	1
7	58012040150	CLAMP FOR MIRROR '94	2
8	78111070100	LIGHT SWITCH	1
9	78111029000	FLASHER SWITCH	1
10	0014050303	HH COLLAR SCREW M5X30 SW=6	2
11	0014050163	HH COLLAR SCREW M 5X16 WS=6	2
12	70002012000	THROTTLE HANDLE TUBE	1

157000211

49199

* NEW PART

X ON DEMAND



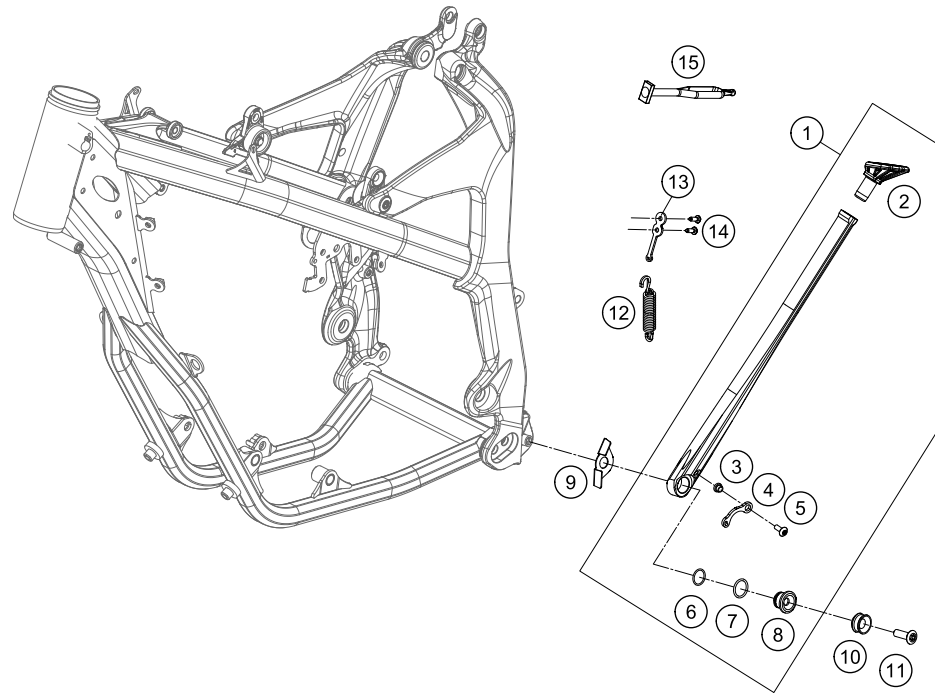
POS	PARTNUMBER	PARTNAME	PIECE
1	70103001000EB	Frame "701R1" elec. orange	1
2	72103001152	Connection support right	1
3	72103101051	Verbindungsträger li. vmt.	1
4	70003002033	SUBFRAME CPL.	1
5	58404041000	CLOSING COVER SWINGARM SM 03	2
6	0912080123	AH SCREW DIN912 M8X12	2
7	47003013000	ENGINE BRACKET SCREW 85 SX	1
8	0035100209	AH-COLLAR SCREW M10X20 ISA45	8
9	70003001060	CROSS PIPE	1
10	70003090144	ENGINE GUARD CPL.	1
11	0025050106	HH collar screw M5x10 TX30	2
14	70003039100	FOOTREST MOUNTING R/S '12	1
15	70003038100	FOOTREST MOUNTING L/S '12	1
16	0032100356S	AH-COLLAR SCREW M10X35 ISA45	4
18	50180105	THREADED BUSH M12 PDS	1
19	69004094000	HH COLLAR SCREW M10X56 WS13 08	1
20	0035080506S	AH-COLLAR SCREW M8X50 ISA45	2
23	70003024050	SIDE STAND SPRING PLATE 12	1
24	0017060205	SCREW FOR PLASTIC K60X20 SW6	2
25	0016070253	PLASTIC SCREW K7X25 PT1447	2
26	70007039000	SEAT LOCKING MECHANISM	1
27	70004016000	MONOSHOCK SCREW TOP M12X80	1
28	70007039050	BRACKET QUICK LOCK	1
29	0024060106	HH COLLAR SCREW M6X10 TX30	2
30	70003096100	SPROCKET COVER	1
31	45239060050	COLLAR BUSHING 6,3X8X13X9,5	2
32	70003053000	CHAIN SLIDING PIECE BELOW CPL.	1
33	0025080356	HH collar screw M8x35 TX40	1
34	47103040033	FOOTREST CPL. 14	1
35	47103041000	FOOTREST R/S	1
36	47103040000	FOOTREST L/S	1
37	54803044000	PIN FOR FOOT PED 51.5X9.8 MM	2
38	54603041000	FOOTREST SPRING L/S & R/S	2
39	0125100003	washer DIN 125 A 10.5	2
40	0094032253	PIN DIN0094-3,2X25 STEEL	2
43	69004095000	ADAPTOR NUT M10	1
99	70003053010	CHAIN SLIDING KIT BELOW	x

187000311

49130

* NEW PART

X ON DEMAND



POS	PARTNUMBER	PARTNAME	PIECE
1	70003023044	SIDE STAND CPL. 2012	1
2	78003023155	STAND BASE	1
3	78003023070	SPACER BUSH. SPRING BRACKET	1
4	78003023090	SPRING BRACKET F. SIDE ST. 08	1
5	58605083014	SCREW M5X14 TORX 25 07	1
6	0770125015	O-RING 12,5X1,5 NBR	1
7	0770180020	o-ring 18.00x2.00 NBR70	1
8	78003023080	SIDE STAND BUSHING EXC USA 08	1
9	47003023050	STOP SHEET SST	1
10	78003023081	SIDE STAND BUSHING EXC-EU 08	1
11	0019080356	COUNTERSUNK SCREW ISA45 M8X35	1
12	81203024000	SIDE STAND SPRING EYE MOVEABLE	1
13	70003024050	SIDE STAND SPRING PLATE 12	1
14	0017060205	SCREW FOR PLASTIC K60X20 SW6	2
15	50303018000	RUBBER L=145MM	1

147250360

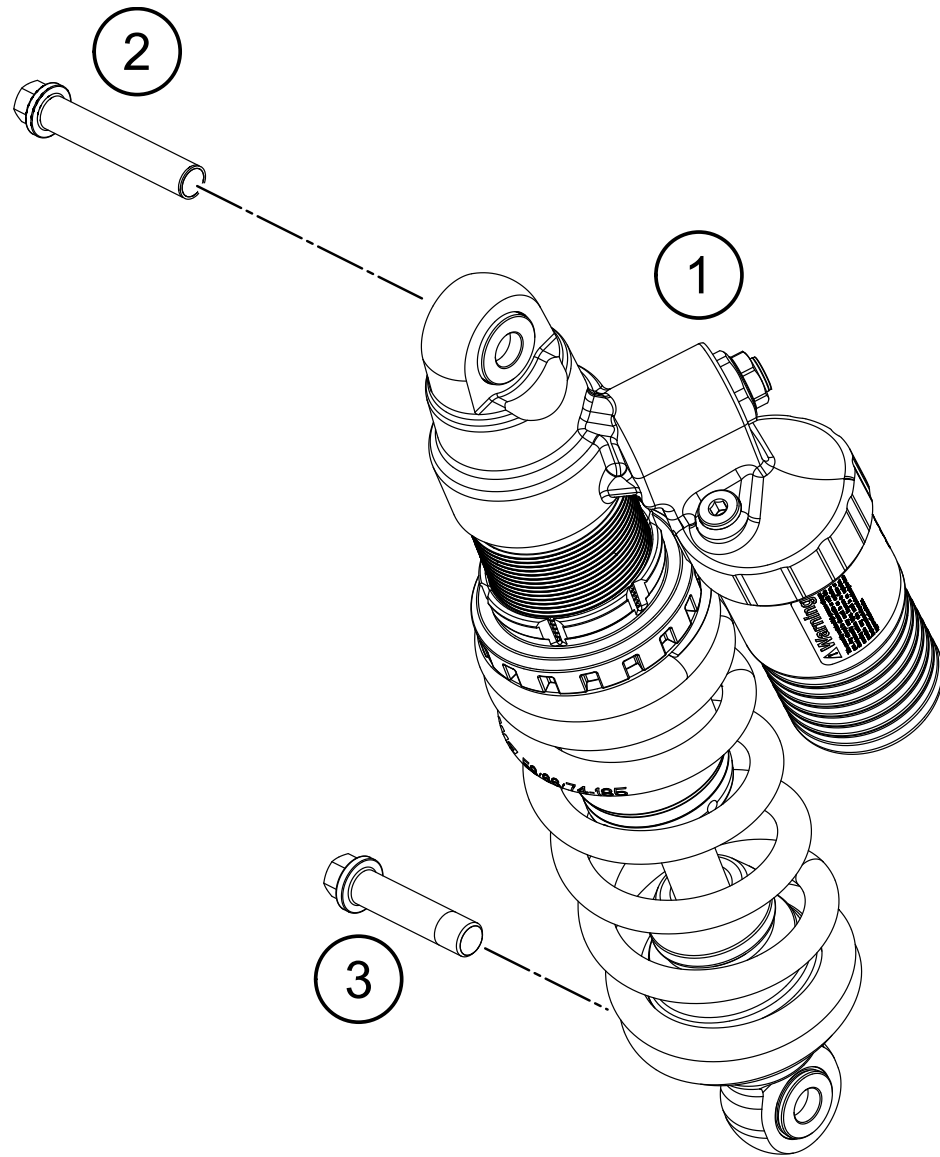
14708

* NEW PART

X ON DEMAND

SHOCK ABSORBER

Freeride E-XC NG 2018



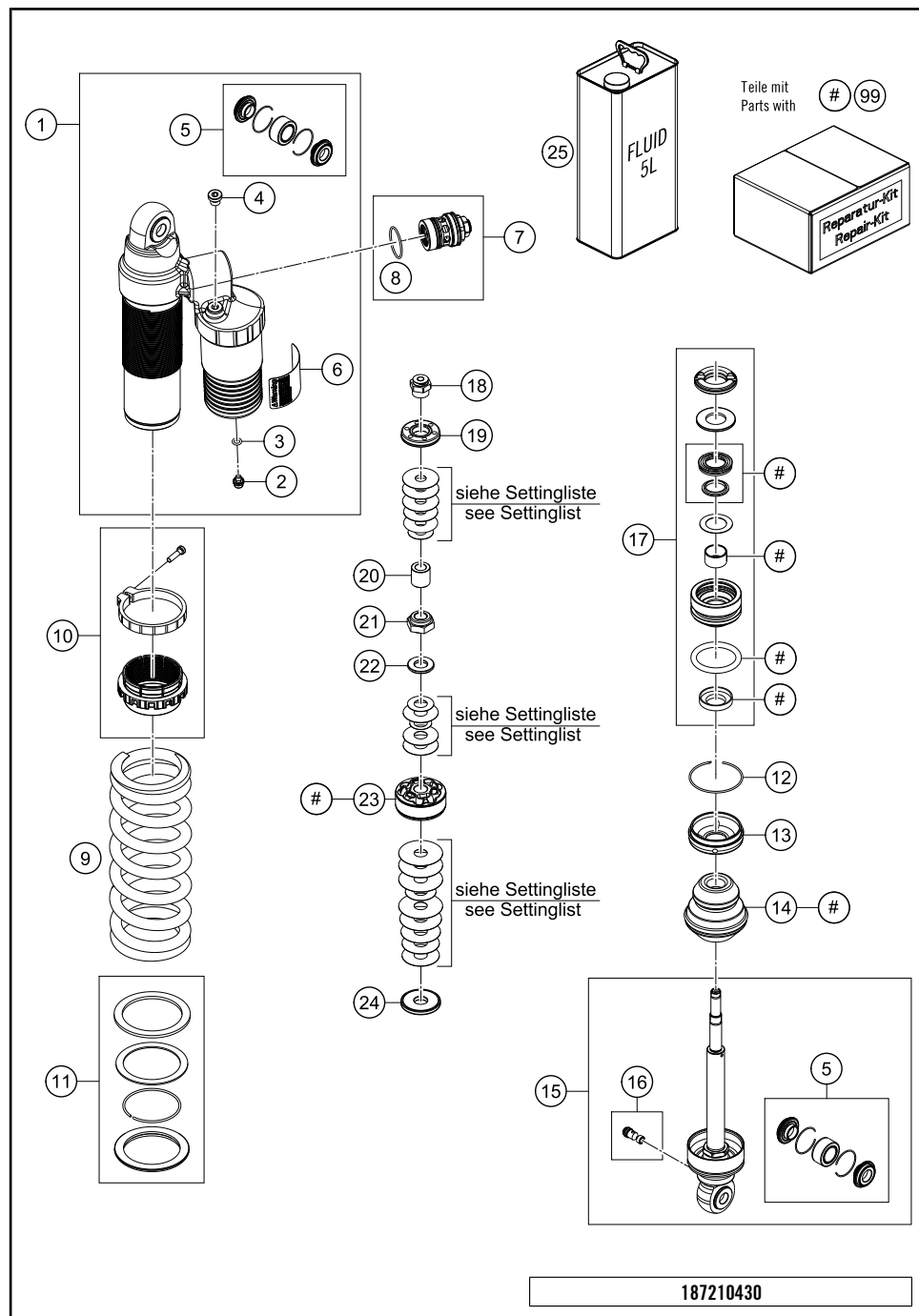
POS	PARTNUMBER	PARTNAME	PIECE
1	12187R4001	Monoshock Freeride 250F	1
2	70004016000	MONOSHOCK SCREW TOP M12X80	1
3	0025120506S	HH COLLAR SCREW M12X50 TX45	1

187000410

49140

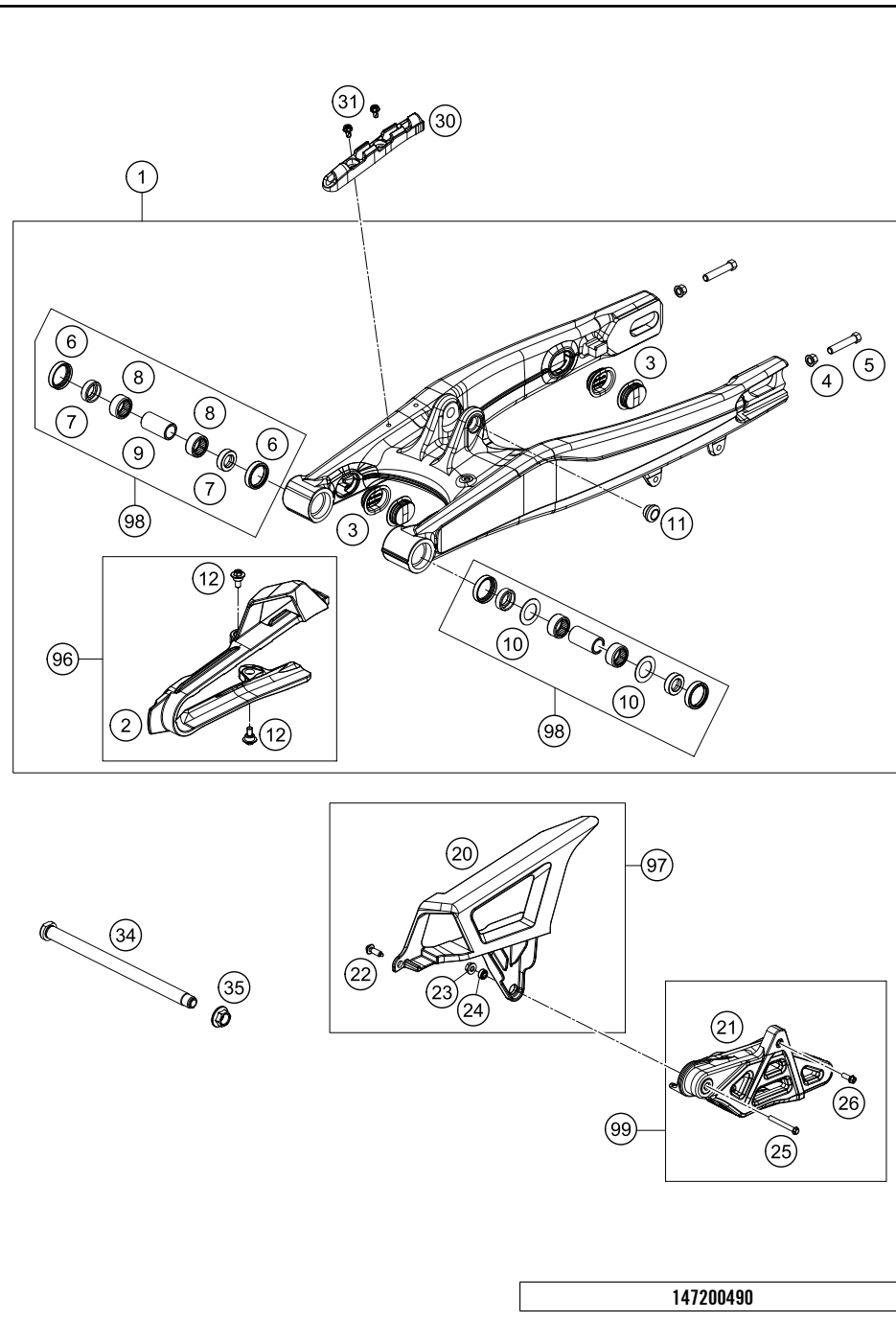
* NEW PART

X ON DEMAND



POS	PARTNUMBER	PARTNAME	PIECE
1	46181267S1	Monoshock M53x1 with pipe cpl.	1
2	36120151	SCREW PLUG M5X6	1
3	46810893	O-RING NBR 5,28X1,78	1
4	50180095	BLEED PLUG R 1/8	1
5	RP10011	BEARING KIT KGW D12	2
6	52000143	STICKER WP WARNING 65X40	1
7	50181101S21	DCC cpl.	1
8	50180217	O-RING 27X1,5 VITON	1
9	91020028	Spring l=200mm 58-68-78N/mm white	1
9	91020027	Spring l=200mm 58-66-74N/mm white	x
9	91010378	Spring l=200mm 69N/mm white	x
10	46181228S	SPRING SUPPORT PLASTIC 46 CPL.	1
11	RP10005	SPRING CUP SET PDS 17	1
12	46810010	CIRCLIP 49X1,5	1
13	46180338	CAP D=46 H=9,5	1
14	46181237	BUMP RUBBER Ø58 Ø17 H55 PDS 17	1
15	46181301S2	Shock absorber bot. cpl.	1
16	50181094S	ADJUSTING SCREW M8X0,5 CPL.	1
17	46180669S	ADAPTOR CPL. D=46 H=28 07	1
18	46181339S	Mutter M10x1 PDS kpl.	1
19	46181184	PISTON Ø35,5 PDS	1
20	46181025	SANDWICH BUSH 10X17X17	1
21	46810474	PISTON ROD NUT	1
22	46811258	RING 12X24X2,5	1
23	46181153ES	PISTON CPL. Ø12 Ø42 BLEED HOLE	1
24	46181194	REBOUND WASHER 12X36 T4 H0	1
25	50180751S1	SHOCK ABSORBER FLUID 5 LT	1
99	RP10004	REVISION KIT MONOSHOCK MINI 17	1

* NEW PART X ON DEMAND



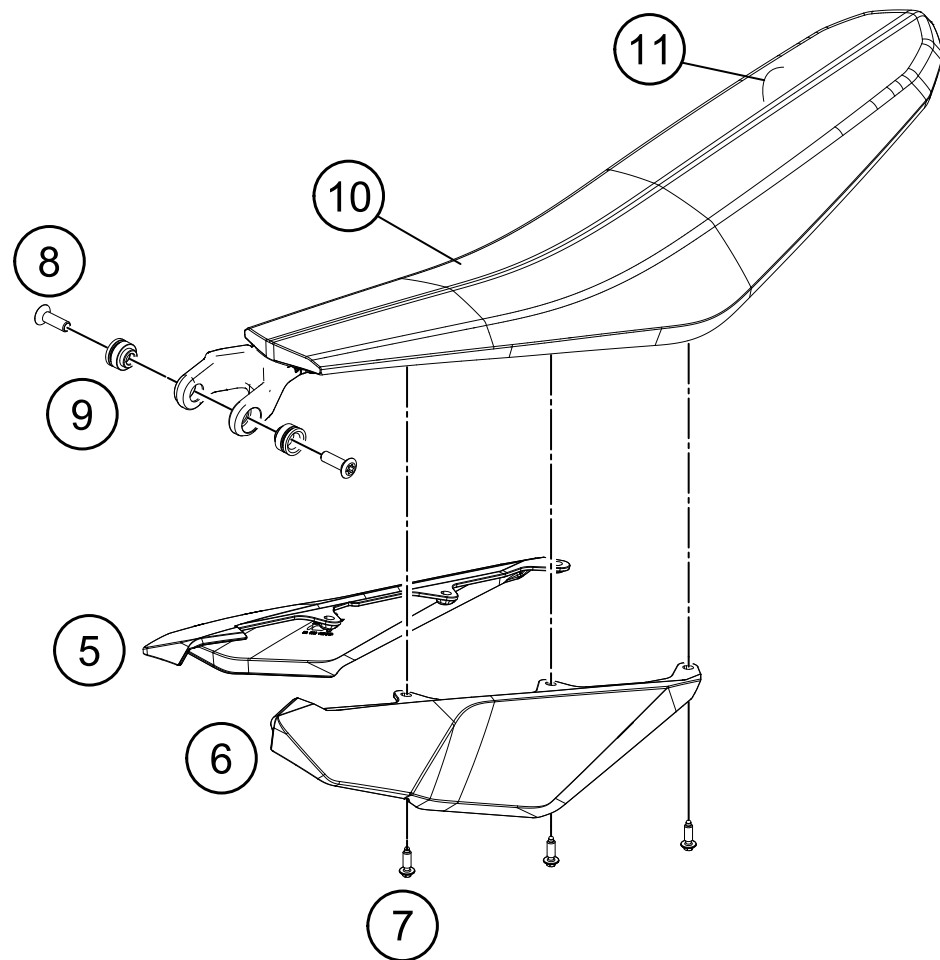
POS	PARTNUMBER	PARTNAME	PIECE
1	70004030044	SWINGARM CPL.	1
2	70004066000	CHAIN GUIDE GUARD	1
3	77204041000	CLOSING COVER	4
4	46030045000	flanged nut M8 WS10	2
5	50203030090	HH SCREW M8X40 WS=10	2
6	0760253270	radial shaft seal 25x32x7	4
7	54603090000	BUCKET F.SHAFTSEALRING 15X25X9	4
8	59004031000	NEEDLE BUSH HK2012V	4
9	50203081700	BUSHING SLEEVE 15X20X38,75	2
10	59033080000	SHIM 20X32X1	2
11	50180105	THREADED BUSH M12 PDS	1
12	83008100015	SPECIAL SCREW M6X15X5,5	2
20	70004060000	CHAIN GUARD	1
21	78104070100	CHAIN GUIDE EXC	1
22	0017060205	SCREW FOR PLASTIC K60X20 SW6	1
23	56509064100	SELF LOCKING NUT M6 10.9	1
24	54603055051	PRESS IN NUT M6 STEEL ZINC	1
25	0025060506	HH collar screw M6x50 TX30	1
26	0025060206	HH collar screw M6x20 TX30	1
30	70013047000	BRAKE HOSE GUIDE	1
31	0009050106	EJOT SPIRAL SCREW SF M5X10-K	2
34	70004037000	SWING ARM BOLT L=239 '12	1
35	77204087000	hex nut M14x1.5 WS17	1
96	70004066010	CHAIN GUARD KIT FREERIDE	x
97	70004060110	CHAIN PROTECTION KIT FREERIDE	x
98	47004230010	SWINGARM REP. KIT 105/85 SX	x
99	77304070310	CHAIN GUIDE KIT REAR 08-14	x

147200490

14671

* NEW PART

X ON DEMAND



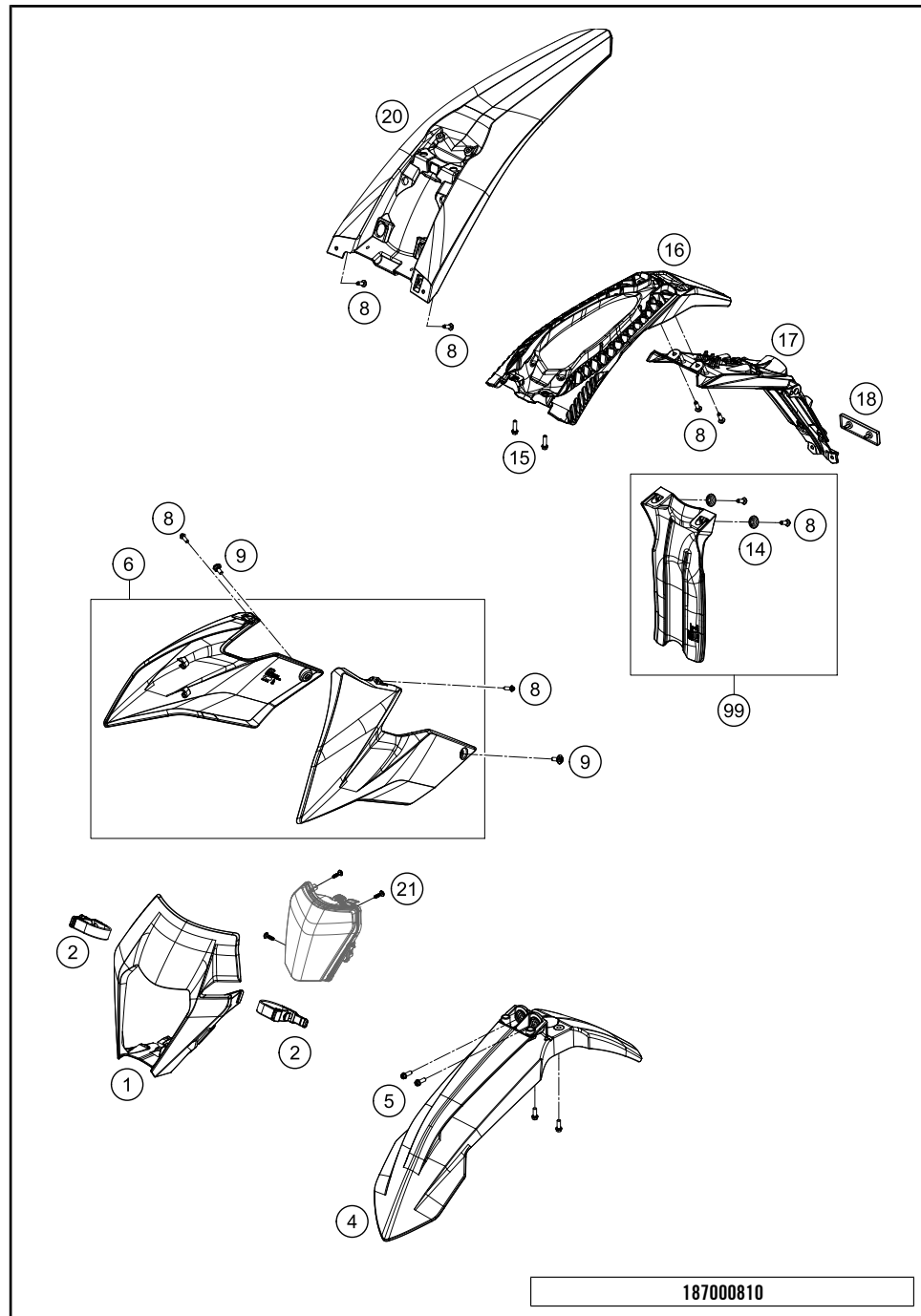
POS	PARTNUMBER	PARTNAME	PIECE
5	7000702505128D	Batt. Cov. Ri. Wt. Freeride E-XC NB 18 WITH DECAL	1
6	7000702505028D	Battery cover L 18 WITH DECAL	1
7	0017060206	SCREW F. PLASTIC K60X20AL SW6	6
8	0019080266S	COUNTER-SUNK SCREW ISA45 M8X26	2
9	70003001057	BUSHING	2
10	70007040100	SEAT HIGH CPL. '13	1
11	70007040150	SEAT COVER	1

157000711

49200

* NEW PART

X ON DEMAND

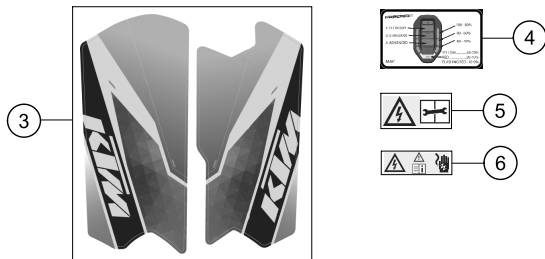
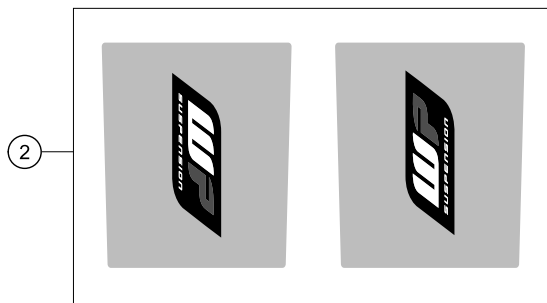


POS	PARTNUMBER	PARTNAME	PIECE
1	72108001000EB	Headlamp mask	1
2	72108003000	Mask rubber	1
4	4720801000028	Front fender	1
5	0024060156	HH collar screw M6x15 TX30	4
6	7000805400030F	Spoiler kit Freeride E 18 WITH DECAL	1
8	0017060206	SCREW F. PLASTIC K60X20AL SW6	8
9	83008000012	special screw M6x12x3	2
14	77304066050	chain slider bushing	2
15	0025060206	HH collar screw M6x20 TX30	2
16	70008016000	NUMBER PLATE CARRIER TOP	1
17	70008016050	NUMBER PLATE CARRIER BOTTOM	1
18	58412080000	REFLECTOR RED	1
20	7000811310028	REAR PART WHITE	1
99	70006010010	SPLASH PROTECTOR KIT FREERIDE	x

187000810

49201

* NEW PART X ON DEMAND



157000831

POS	PARTNUMBER	PARTNAME	PIECE
1	70008199000	DECALSET FREERIDE E-XC 15	1
2	70008092000	DECAL SET FORK WP	1
3	70008097000	DECAL FORK PROTECTION FREER. E	1
4	70045160090	DECAL "TECHNICAL INFO"	1
5	70012095000	LABEL "POWERPACK"	1
6	70012096000	LABEL "HIGH VOLTAGE"	1

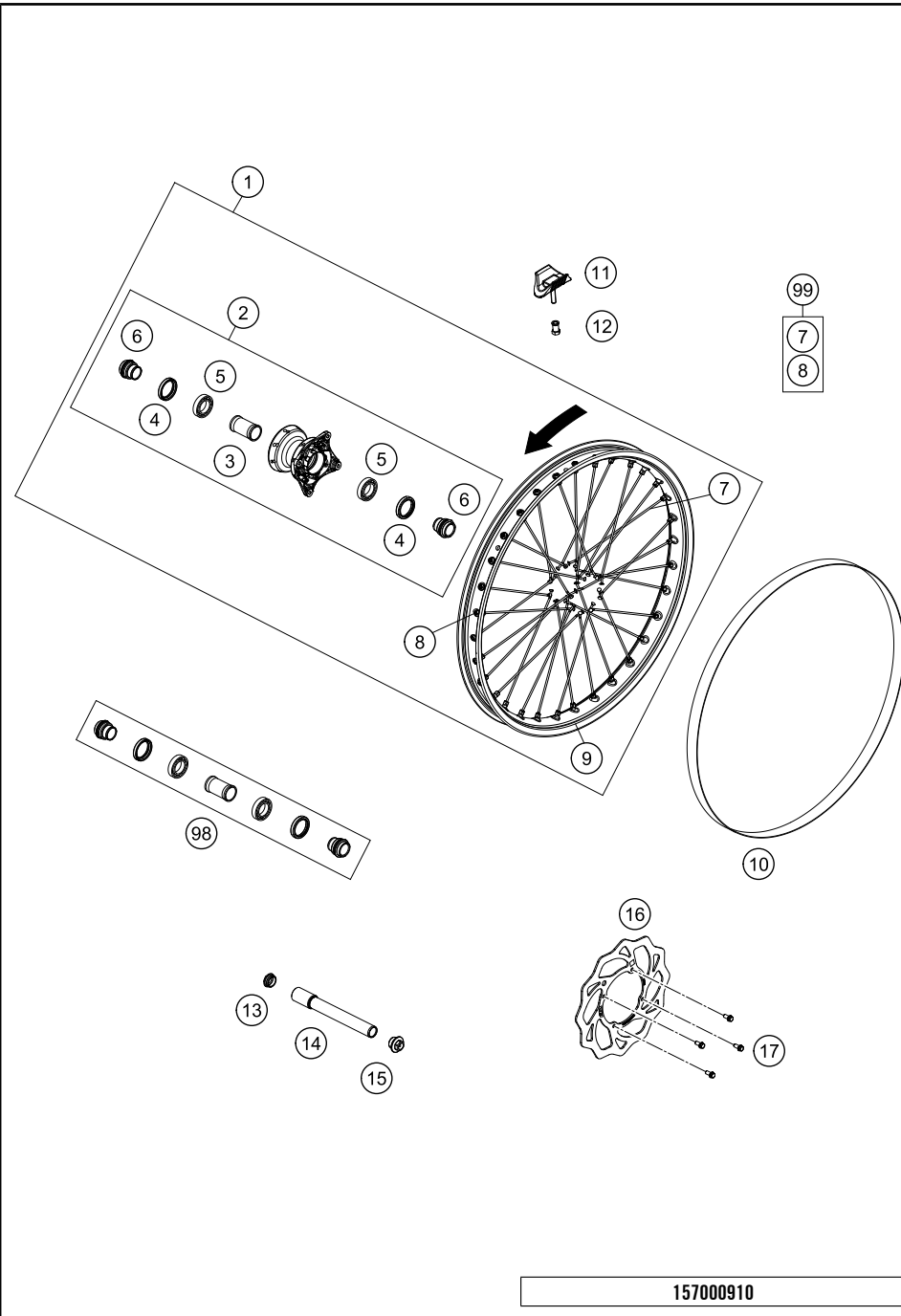
16155

* NEW PART

X ON DEMAND

FRONT WHEEL

Freeride E-XC NG 2018



POS	PARTNUMBER	PARTNAME	PIECE
1	7210900104433	Front wheel cpl black 18	1
2	70009010044	FRONT WHEEL HUB CPL. 12	1
3	70009011000	BEAR.SPACER TUBE FRONT D22MM	1
4	0760324271	SHAFT SEAL RING 32X42X7 BSL	2
5	0625069050	BALL BEARING 6905 J1LLUC3	2
6	70009012000	SPACER BUSHING D=22MM	2
7	7000907123230	SPOKE FRONT 232MM BLACK	32
8	77109072000	SPOKE NIPPLE M4,5 AL 11	32
9	7210907000033	Rim front 21X1,6-32 "Freeride"	1
10	50309073000	RIM BAND 21"	1
11	78109090000	RIM LOCK 1,60"	1
12	77110090050	NUT FOR WHEEL HOLDER	1
13	70009081050	PLUG BUSHING SW17 '12	1
14	70009081000	AXLE FRONT D=22 '12	1
15	70009082000	AXLESCREW M20X1.5; SW17	1
16	72509060100	BRAKE DISK FRONT D=260MM D4	1
17	59009062013	SPECIAL SCREW M6X13 WS=8 10.9	4
98	70009015000	FRONT WHEEL REP. KIT	x
99	00050000961	SPOKE KIT FRONT '21'	x

157000910

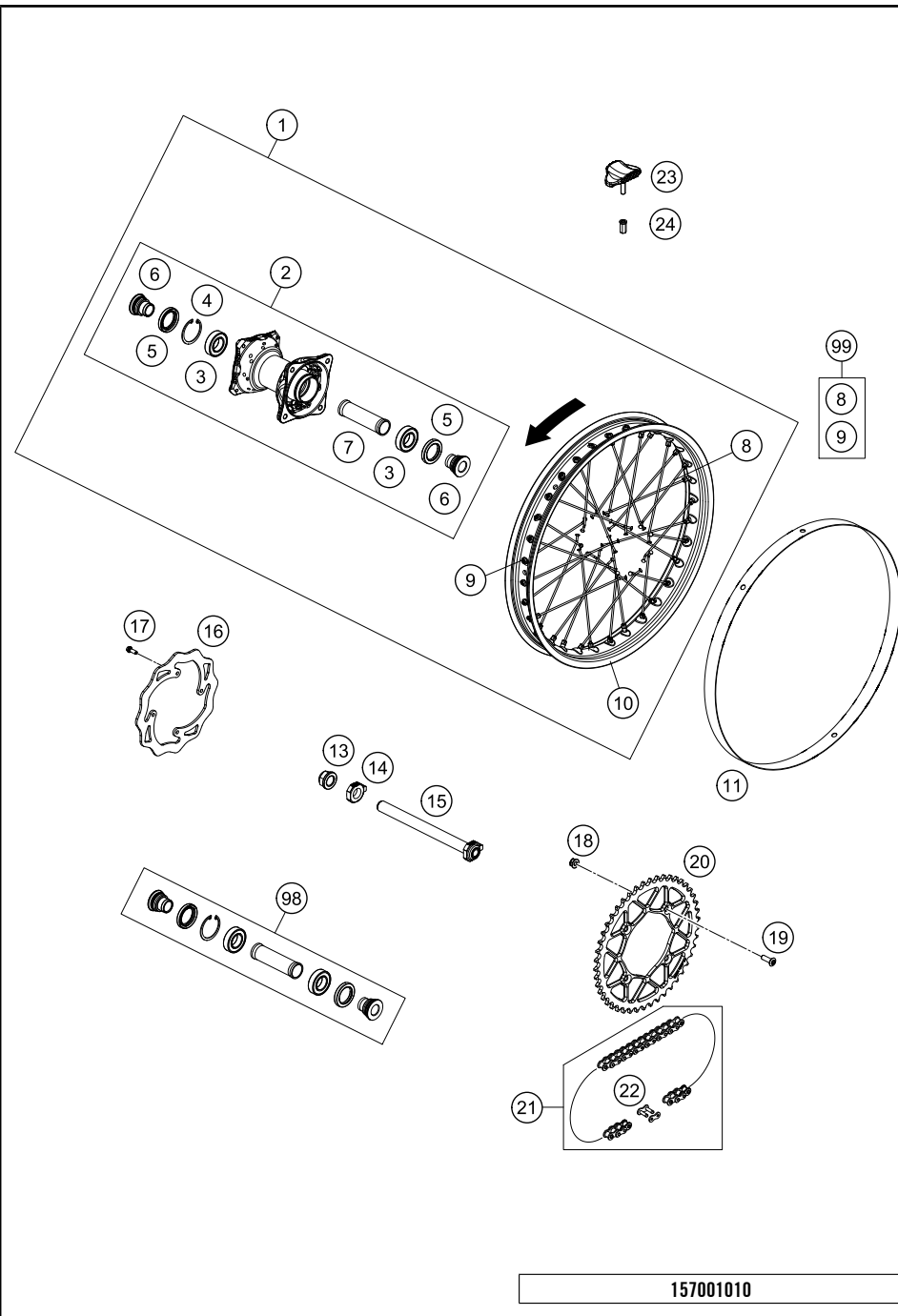
49126

* NEW PART

X ON DEMAND

REAR WHEEL

Freeride E-XC NG 2018



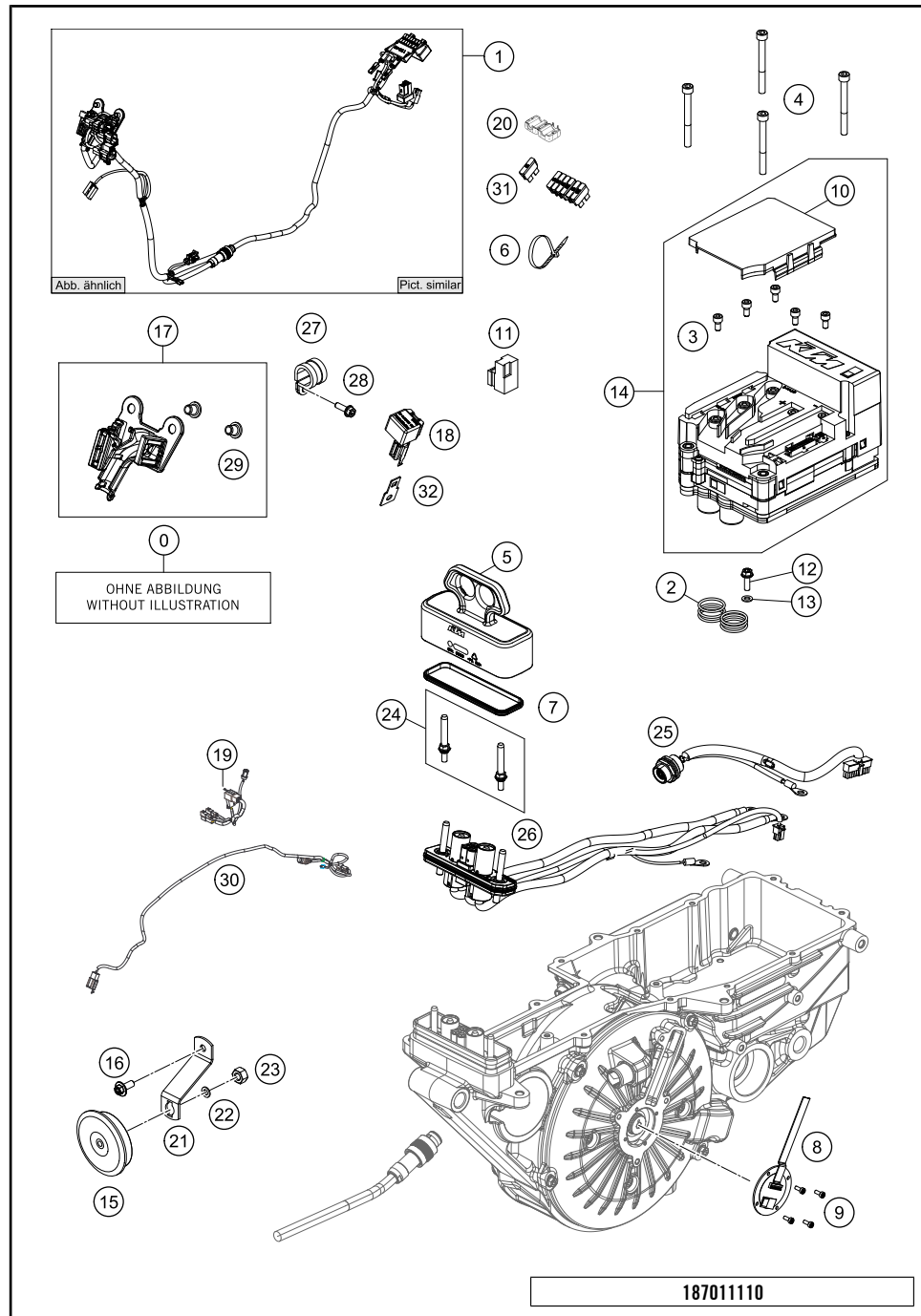
POS	PARTNUMBER	PARTNAME	PIECE
1	7211000104433	Rear wheel cpl. black 18	1
2	70010010044	REAR WHEEL HUB CPL. 12	1
3	0625060058	GR.BALL BEAR.6005 DDU2CG23S6NM	2
4	0472047175	CIRCLIP DIN0472-47X1,75	1
5	0760324771	SHAFT SEAL RING 32X47X7 BSL	2
6	78010016000	BUSHING FOR HUB 08	2
7	70010011000	BEAR.SPACER TUBE 12	1
8	7001007119330	SPOKE REAR 193 MM BLACK	32
9	77109072000	SPOKE NIPPLE M4,5 AL 11	32
10	7211007000033	Rim back "Freeride KTM"	1
11	72010073000	RIM BAND 18"	1
13	50310099000	HEXAGON NUT M20X1,5 '98	1
14	70010084000	CHAIN TENSIONER R/S 12	1
15	70010085044	WHEEL SPINDLE REAR CPL. 12	1
16	70010160000	BRAKE DISC REAR	1
17	59009062016	SPECIAL SCREW M6X16 WS=8 10.9	4
18	06923080003	hex nut EN 1661 M8 WS13	4
19	0019080266S	COUNTER-SUNK SCREW ISA45 M8X26	4
20	7201005104830	SPROCKET 48-T BLACK	x
21	50310165118	CHAIN 5/8X1/4" MX	1
22	50310166000	CONNECTING LINK F. 50310165118	1
23	78110090000	RIM LOCK 2,15"	1
24	77110090050	NUT FOR WHEEL HOLDER	1
98	70010015000	REAR WHEEL REP. KIT	x
99	00050000962	SPOKE KIT REAR '18'	x

157001010

49128

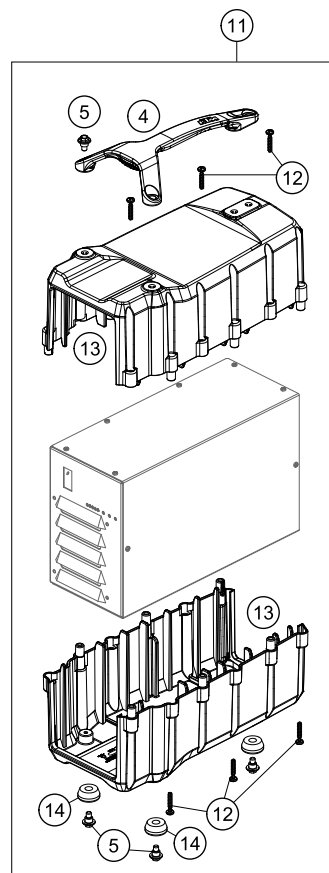
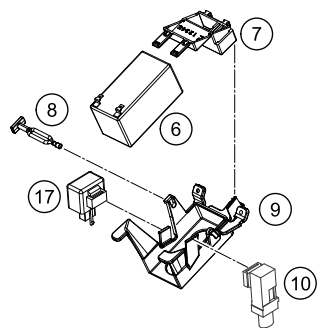
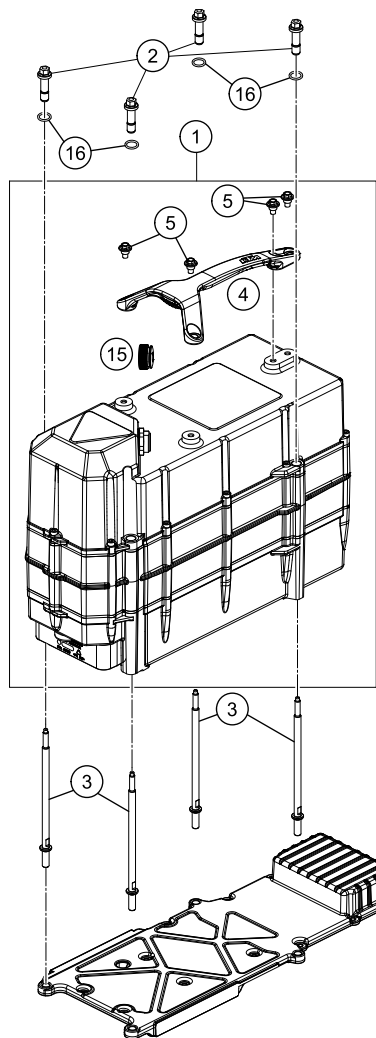
* NEW PART

X ON DEMAND



POS	PARTNUMBER	PARTNAME	PIECE
0	70011076000	WIRING HARNESS LIGHT	1
1	70111075044	Main harness cpl. E-XC NB 18	1
2	0770220020	o-ring 22.00x2.00 NBR70	6
3	0912050107	AH SCREW DIN 0912 M5X10	5
4	0025060606	HH collar screw M6x60 TX30	4
5	70029001005	HV-PLUG COVER CAP	1
6	44011076140	CABLE TIE 140/2,5MM BLACK	x
6	44011076200	CABLE TIE 200/3,6MM BLACK	x
6	44011076305	CABLE TIE 300/4,8MM BLACK	x
7	70045002100	SEAL HV-PLUG	1
8	70045061000	SPEED SENSOR	1
9	0458030080	CYLIND.SCREW M3X8 ISO 14580 SS	4
10	70045160050	COVER SMALL ENGINE ELECTRONIC	1
11	61111057000	RELAY CM1A-R-12V-H80 07	1
12	0025050166	HH collar screw M5x16 TX30	1
13	0125050003	WASHER DIN0125-A 5,3	1
14	70045160100	ENGINE ELECTRONIC ASSY	1
15	50311060200	DC HORN 12V 07	1
16	0024060156	HH collar screw M6x15 TX30	1
17	77711083000	SUPPORT BRACKET	1
18	76511030000	FLASHER UNIT	1
19	72111080000	Flasher harness front	1
20	70011010000	SNAP FERRITE	1
21	78011061000	HORN BRACKET EXC 08	1
22	0125050003	WASHER DIN0125-A 5,3	1
23	0934050003	HEXAGON NUT DIN0934-M 5	1
24	70045073050	CONTACT PIN (SET)	1
25	70045070000	ENGINE WIRE HARNESS	1
26	70045073000	WIRING HARNESS ECU	1
27	49007439000	CLAMP RSGU 15/12	1
28	0025050166	HH collar screw M5x16 TX30	1
29	77714060050	DISTANZBÜCHSE TACHOHALTERUNG	2
30	72111081000	Flasher harness rear	1
31	58011109110	FUSE 10 A 2000	x
31	58011109120	FUSE 20 A	x
32	58211031100	BRACKET FOR FLASHER RELAY	1

* NEW PART X ON DEMAND



POS	PARTNUMBER	PARTNAME	PIECE
1	70145053000	Power Pack Freeride E	1
2	70045060060	THREADED BUSH	4
3	70045060050	STUD M8	4
4	70045083000	CARRYING HANDLE F. AKKU	2
5	59001092050	SPECIAL SCREW M6X12,5 WS=8	11
6	70011053000	BATTERY 12V YUASA NP 1.2-12	1
7	58411087050	RUBBERCOVER F.LOCKHOLDER	1
8	75011054005	BRACKET RUBBER FOR BATTERY	1
9	70011094100	ELECTRIC BOX	1
10	61111057000	RELAY CM1A-R-12V-H80 07	1
11	70029074000	CHARGER ZE	1
12	0016050253	SCREW FOR PLASTIC 03	12
13	70029074050	SHELL CHARGER	2
14	70029074020	STAND CHARGER	3
15	000700000FX01	CAP CHARGER PLUG FX	1
16	07700900151	O-RING 9x1,5 V80 SH	4
17	76511030000	FLASHER UNIT	1

ACHTUNG!!!
 DAS POWERPACK DARF NUR AN EIGENTÜMER VON
 FREERIDE E MODELLEN VERKAUFT WERDEN!
 VORLAGE DER AUSLIEFERUNGURKUNDE NÖTIG!

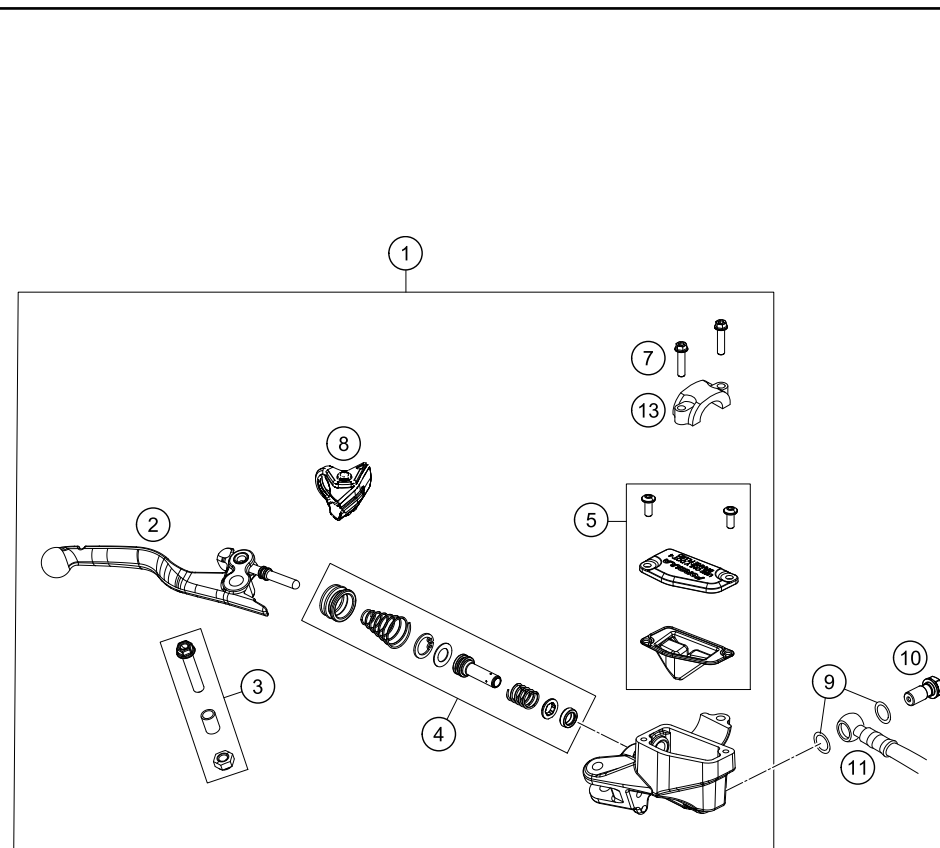
CAUTION!!!
 DO SELL THE KTM POWERPACK TO
 KTM FREERIDE E OWNERS ONLY!
 PRESENTATION OF THE
 DELIVERY CERTIFICATE IS OBLIGATORY!

157001131

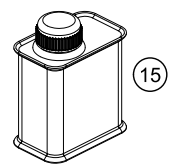
49167

* NEW PART

X ON DEMAND



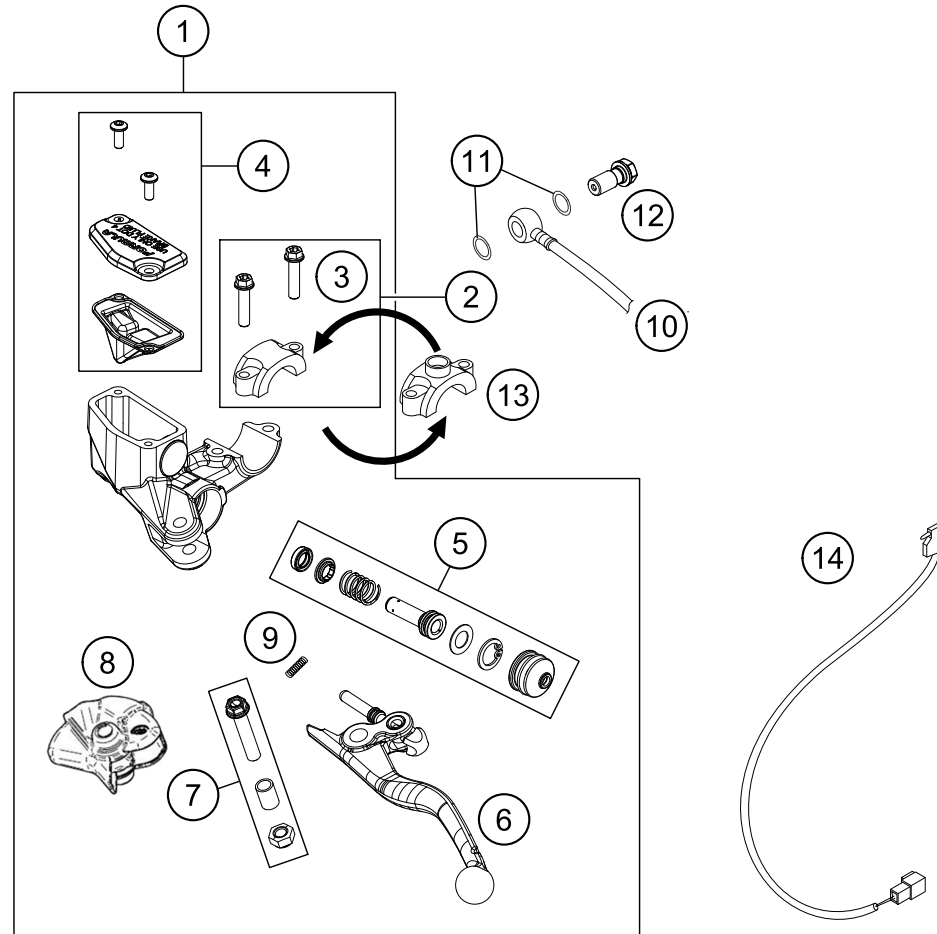
POS	PARTNUMBER	PARTNAME	PIECE
1	70013001100	HAND BRAKE CYLINDER CPL. 10MM	1
2	72013002000	LEVER CPL.	1
3	70002038000	LEVER SCREW CPL.	1
4	72013008000	REP. SET PISTON 10MM	1
5	70013003000	COVER HAND BRAKE CYLINDER CPL.	1
7	0025060256	HH collar screw M6x25 TX30	2
8	70013004000	MUDCOVER HANDBRAKE LEVER	1
9	0770080019	O-RING 8,00X1,00 FORMULA	2
10	47013025000	HOLLOW SCREW BRAKE CYLINDER 03	1
11	72113010000	Brake hose front	1
13	72013005000	CLAMP	x
15	00062030000	BRAKE FLUID DOT5.1 0,25L	1



157251310

49165

* NEW PART X ON DEMAND



POS	PARTNUMBER	PARTNAME	PIECE
1	70013001200	HAND BRAKE CYLINDER CPL.	1
2	72013005000	CLAMP	1
3	0025060256	HH collar screw M6x25 TX30	2
4	72002003000	COVER F. MASTER CYLINDER CPL.	1
5	70013008000	REP. KIT PISTON	1
6	72013002000	LEVER CPL.	1
7	70002038000	LEVER SCREW CPL.	1
8	72002037000	MUDCOVER CLUTCH LEVER	1
9	72002035000	SPRING FOR CLUTCH LEVER	1
10	70013071000	BRAKE HOSE REAR L=XXXMM 12	1
11	0770080019	O-RING 8,00X1,00 FORMULA	2
12	47013025000	HOLLOW SCREW BRAKE CYLINDER 03	1
13	58012040150	CLAMP FOR MIRROR '94	1
14	70011050000	BRAKE LIGHT SWITCH FRONT L/S	1

157001331

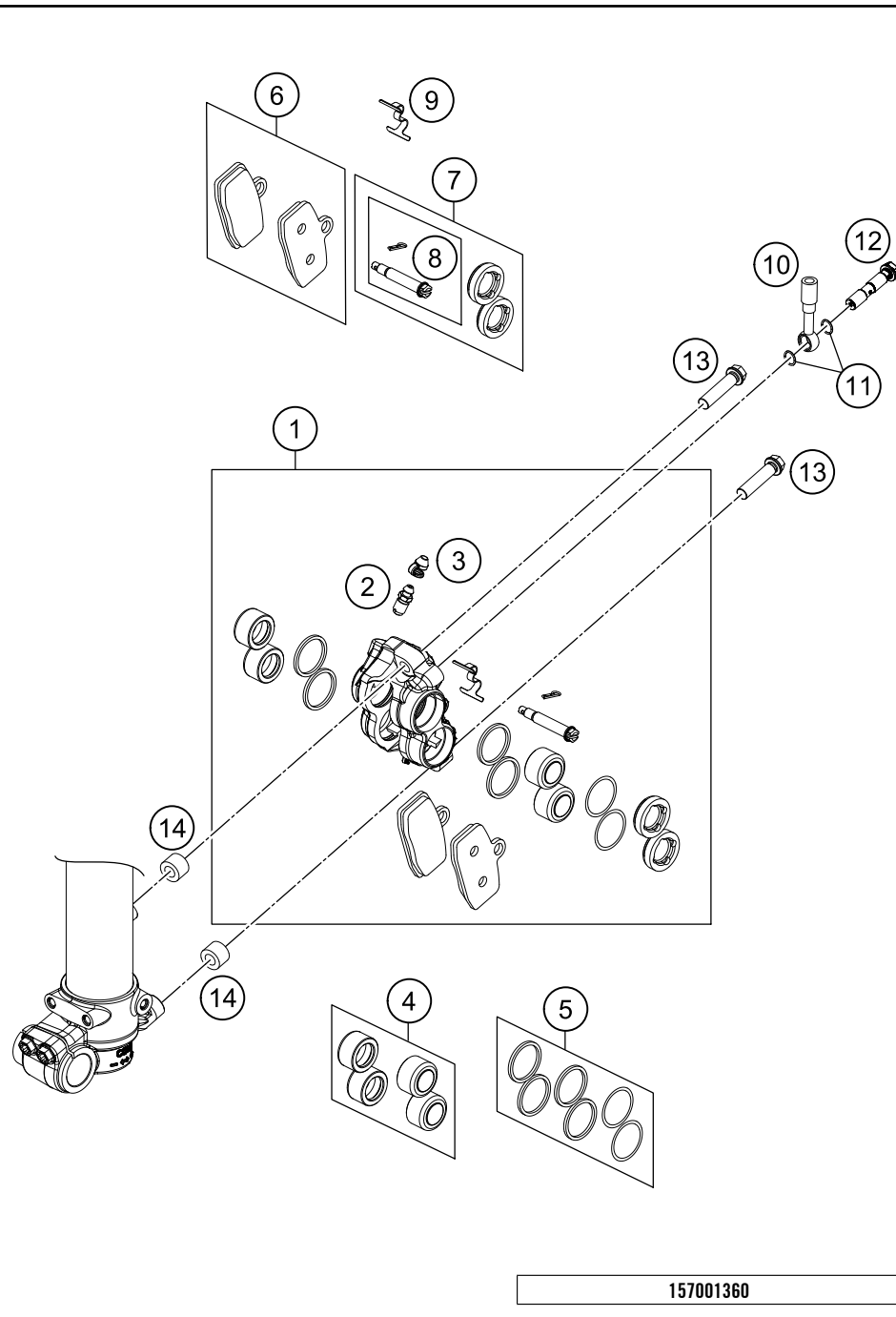
49051

* NEW PART

X ON DEMAND

FRONT BRAKE CALIPER

Freeride E-XC NG 2018



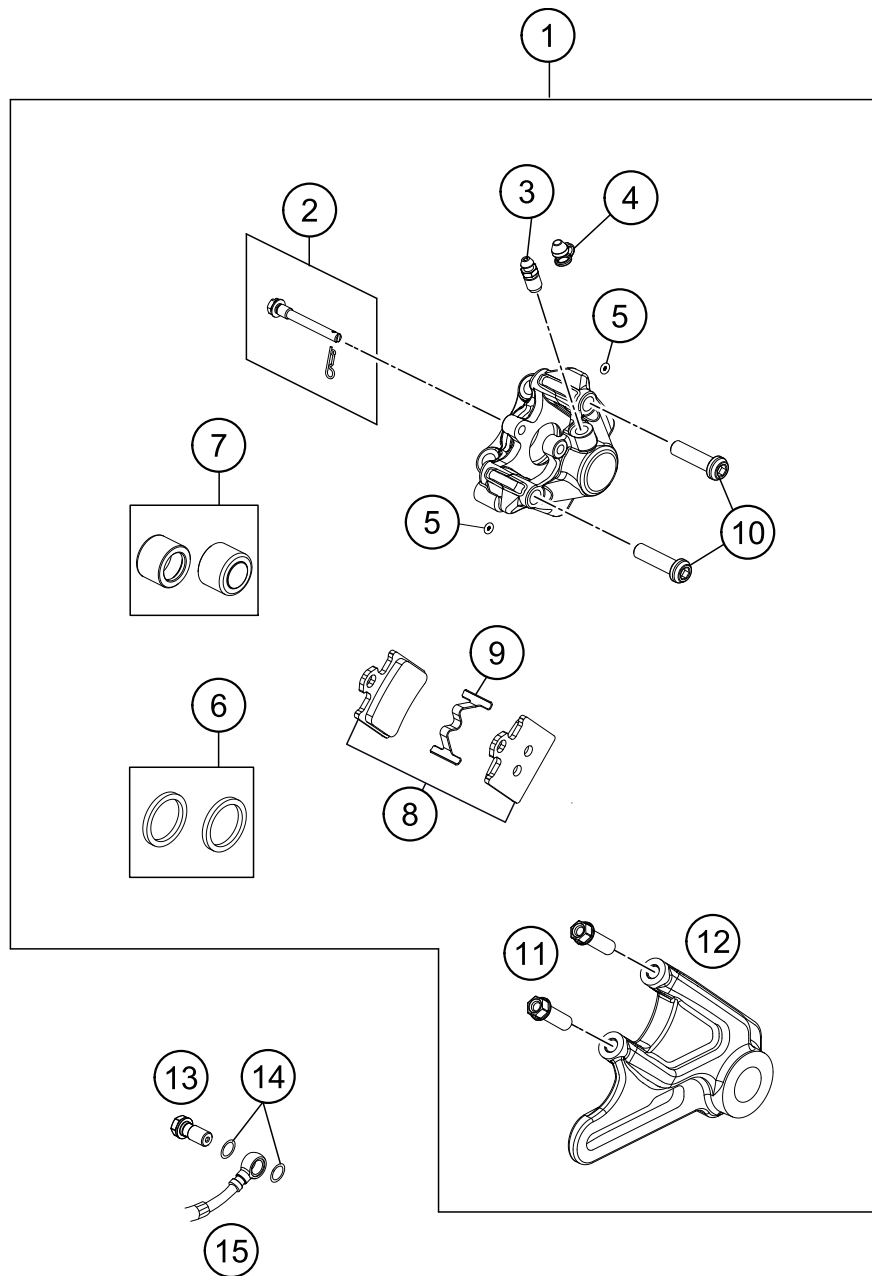
POS	PARTNUMBER	PARTNAME	PIECE
1	72113015000	Brake caliper cpl.	1
2	47013020000	BLEEDER SCREW M6	1
3	47013021000	CAP FOR BLEEDER SCREW	1
4	47013019000	REPAIR KIT BRAKEPISTON	1
5	47013022000	REP. KIT SEALS	1
6	70013030000	BRAKE PADS FRONT 12	1
7	47013023000	PISTONCOVER 85SX 2012	1
8	47013030050	PIN BRAKE PAD CPL. 2012	1
9	47013018100	RETAINING SPRING FRONT 85SX	1
10	72113010000	Brake hose front	1
11	0770080019	O-RING 8,00X1,00 FORMULA	2
12	47013025000	HOLLOW SCREW BRAKE CYLINDER 03	1
13	0025080456S	HH COLLAR SCREW M8X45 ISA40	2
14	70013098150	DISTANCE SLEEVE 8,1X15X20,5MM	2

157001360

49166

* NEW PART

X ON DEMAND



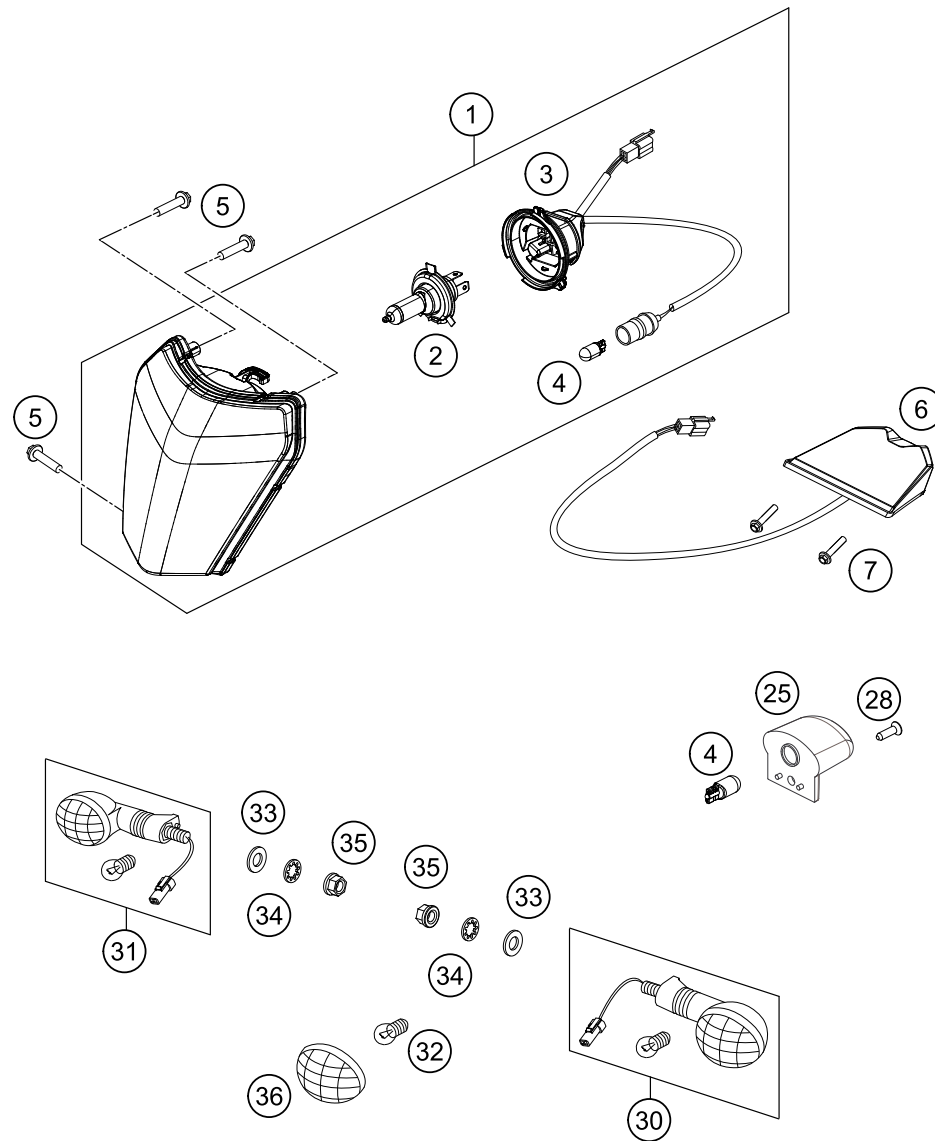
POS	PARTNUMBER	PARTNAME	PIECE
1	47213080000	Caliper rear cpl. 85 TC/SX 18	1
2	47013092000	SPECIAL SCREW WITH SPLINT PIN	1
3	47013085000	BLEEDER SCREW M8X1	1
4	47013021000	CAP FOR BLEEDER SCREW	1
5	07700257178	O-RING 2,57X1,78	2
6	47213081000	Repair kit seal ring 22mm	1
7	47213083000	Repair kit brakepiston 22mm	1
8	47013090300	BRAKE PADS REAR 85 SX 2011	1
9	47013018000	RETAINING SPRING 85 SX 2011	1
10	47013084000	SPECIAL SCREW CALIPER M8X30	2
11	0025080256	HH collar screw M8x25 TX40	2
12	47013075000	BRAKE CALIPER SUPPORT CPL.	1
13	47013025000	HOLLOW SCREW BRAKE CYLINDER 03	1
14	0770080019	O-RING 8,00X1,00 FORMULA	2
15	70013071000	BRAKE HOSE REAR L=XXXMM 12	1

184721390

49212

* NEW PART

X ON DEMAND



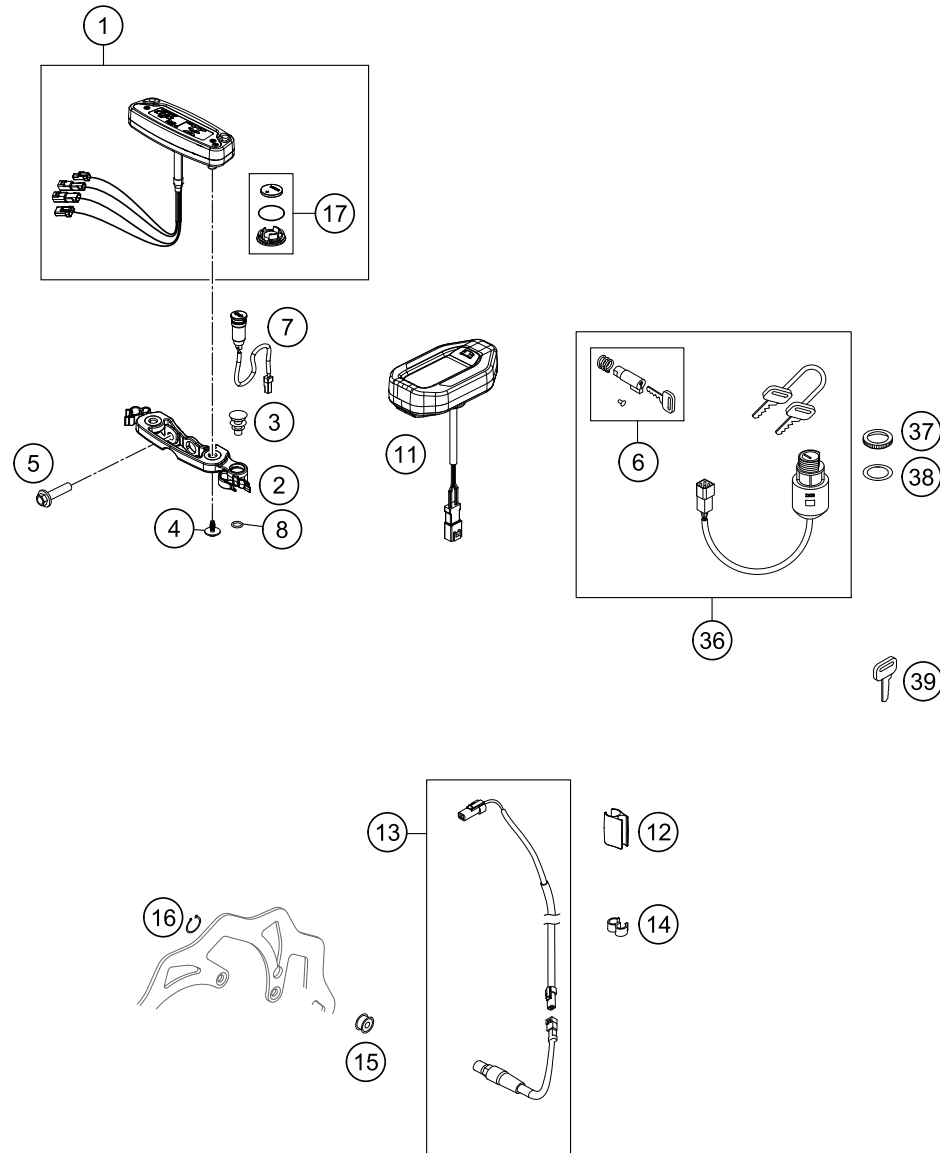
POS	PARTNUMBER	PARTNAME	PIECE
1	78114001000	HEAD LIGHT CPL. 2013	1
2	54611038012	BULB HS1 12V 35/35W WHITE	1
3	78114001050	LAMP BRACKET CPL. 2014	1
4	49011435100	BULB 12V 5W (W2,1X9,5D) PHIL.	2
5	0081050181	SCREW FOR PLASTIC K50X18 T20	3
6	78114040000	REAR LIGHT	1
7	0017060255	EJOT PT SCREW K60X25-Z SW6	2
25	75014047100	Number plate light	1
28	0081250181	SCREW FOR PLASTIC 50X18 T20	1
30	54814025200	FLASHER CPL. FR.L/S RE.R/S 09	2
31	54814026200	FLASHER CPL. FR.R/S RE.L/S 09	2
32	44111015100	BULB 12V 10W (BA15S)	4
33	0125100003	washer DIN 125 A 10.5	4
34	0797100003	LOCK WASHER DIN6797-J10,5 ZI	4
35	58414030000	HH COLLAR NUT M10X1,25 WS=13	4
36	54814028000	FLASHER LENS L/S R/S 05	4

187001411

49216

* NEW PART

X ON DEMAND



POS	PARTNUMBER	PARTNAME	PIECE
1	77714069600	Speedometer digital km/h f. 21"	1
2	77714060000	SPEEDOMETER BRACKET EXC/XCW 14	1
3	50210086000	COVERING CAP SFL16	1
4	0081645121	EJOT DELTA PT SCREW 45X12-Z	2
5	0025060206	HH collar screw M6x20 TX30	2
6	78003035000	STEERING HEAD LOCK 08	1
7	58011024300	FLASHER INDICAT.LIGHT GREEN'98	1
8	0770080015	O-RING 8,00X1,5 NBR 70	1
11	70045090000	BATTERY CHARGING-LEVEL CONTROL	1
12	54813026000	CABLE SUPPORT 10/6MM 06	1
13	54814068100	CABLE FOR DIGITAL SPEEDOM. 06	1
14	60111094000	CLIP 5/7 MM 06	1
15	81314069050	MAGNET FOR SPEEDOMETER	1
16	0471009104	CIRCLIP DIN0471- 9X1 INOX	1
17	81314069010	BATTERY COVER F. SPEEDOMETER	1
36	70011066044	LOCK SYSTEM	1
37	50311066050	IGNITION LOCK NUT M24X1	1
38	58411066450	WASHER F. IGNITION LOCK 03	1
39	40011166200	KEY BLANK BLACK "T" GRIP	x

187001430

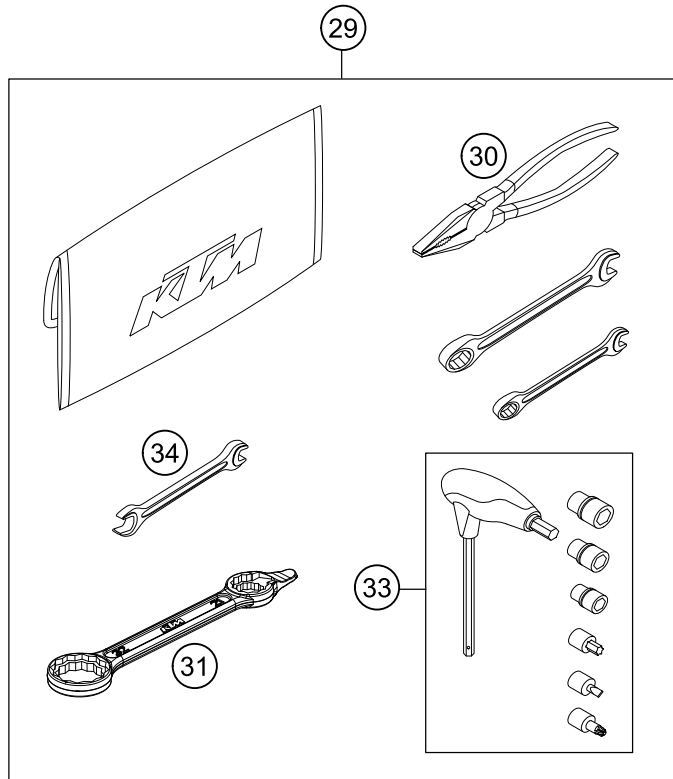
49213

* NEW PART

X ON DEMAND

0
OHNE ABBILDUNG
WITHOUT ILLUSTRATION

1
TECHNISCHE DOKUMENTATION
TECHNICAL DOCUMENTATION
DOCUMENTACION TECNICA
DOCUMENTATION TECHNIQUE
NOTE TECNICHE



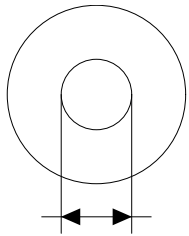
157002000

POS	PARTNUMBER	PARTNAME	PIECE
0	58412080400	Rear reflector red	1
0	58012040000	REAR MIRROR L/S	1
0	58012140000	REAR MIRROR R/S	1
0	58412040050	SUPPORT FOR MIRROR LC4 '98	2
0	58012040150	CLAMP FOR MIRROR '94	2
0	0019080206S	FLAT HEAD SCREW M. ISA45 M8X20	1
0	58412080300	REFLECTOR YELLOW "CEV"	2
0	83008000012	special screw M6x12x3	1
0	70045002100	SEAL HV-PLUG	2
0	70045153100	POWER PACK	1
0	70112099000	Beipack Blinker Freeride-E NB	1
0	70008016050	NUMBER PLATE CARRIER BOTTOM	1
0	312305	DOCUMENTS BAG 2006	1
0	3210917	NOTEPAD	1
0	312313	KTM BALLPOINT PEN ORANGE	1
0	00063004202	PRINT LABEL 60X51 MM	2
0	78003040033	FOOTREST L/S + R/S CPL. 09	1
0	70011053000	BATTERY 12V YUASA NP 1.2-12	1
0	77202002144	BAR PAD CPL.	1
0	0014050253	HH COLLAR SCREW M 5X25 WS=6	2
0	0014050353	HH COLLAR SCREW M5X35 SW=6	2
0	3213212EN	RESCUE CARD	1
0	70008092000	DECAL SET FORK WP	1
0	72102979000EB	Handguard kit	1
1	3213761EN	Bed.-Anl. Freeride E-XC NG 2018	1
29	54829099100	TOOL KIT 2012	1
30	53012028200	GRIP ORANGE B&F	1
31	50329080100	WRENCH SW=17/21/27/32 B&F	1
33	60029070300	T-WRENCH WS=6/8/10/TX45/SK4X1	1
34	50329072000	SPOKE-SPANNER WS 7/10	1

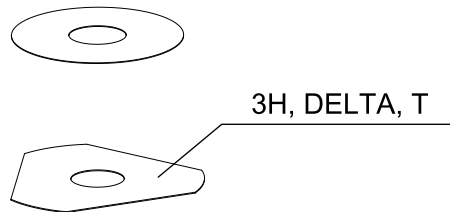
49215

* NEW PART

X ON DEMAND



- ⑤ Ø 5 mm
- ⑥ Ø 6 mm
- ⑧ Ø 8 mm
- ⑩ Ø 10 mm
- ⑫ Ø 12 mm
- ⑭ Ø 14-14,5 mm
- ⑯ Ø 16 mm
- ⑳ Ø 20 mm
- ㉑ Ø 21 mm
- ㉒ Ø 22 mm
- ㉓ Ø 23 mm
- ㉔ Ø 24,5 mm
- ㉘ Ø 28,5 mm
- ㉚ Ø 32 mm
- ㉜ Ø 52 mm



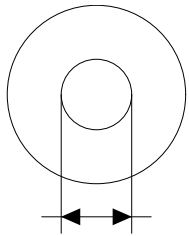
POS	PARTNUMBER	PARTNAME	PIECE
5	44906890	WASHER 5X15X2	X
6	40540400	SHIM 6X12X0,1	X
6	40540401	SHIM 6X14X0,1	X
6	40540402	SHIM 6X16X0,1	X
6	40540403	SHIM 6X18X0,1	X
6	40540404	SHIM 6X12X0,15	X
6	40540405	SHIM 6X14X0,15	X
6	40540406	SHIM 6X16X0,15	X
6	40540407	SHIM 6X18X0,15	X
6	40540408	SHIM 6X12X0,2	X
6	40540409	SHIM 6X14X0,2	X
6	40540410	SHIM 6X16X0,2	X
6	40540411	SHIM 6X18X0,2	X
6	48600095	SHIM 6X20X0,20	X
6	40540412	SHIM 6X12X0,25	X
6	40540413	SHIM 6X14X0,25	X
6	40540414	SHIM 6X16X0,25	X
6	40540415	SHIM 6X18X0,25	X
6	40540417	SHIM 6X8,5X0,10	X
6	40540418	SHIM 6X9X0,10	X
6	40540419	SHIM 6X9,5X0,10	X
6	40540423	SHIM 6X9,5X0,15	X
6	40540425	SHIM 6X8,5X0,20	X
6	40540426	SHIM 6X9X0,20	X
6	40540427	SHIM 6X9,5X0,20	X
6	40540447	SHIM 6X10X0,3	X
6	40540449	SHIM 6X9X0,3	X
6	40540450	SHIM 6X9,5X0,3	X
6	40540494	SHIM 6X18X0,4	X
6	40540774	SHIM 6X18X0,1 DELTA	X
6	40541383	SHIM 6X11X0,1	X
6	40541391	SHIM 6X11X0,3	X
6	40541402	SHIM 6X11X0,2	X
6	40541403	SHIM 6X10X0,20	X
6	40541404	SHIM 6X10X0,1	X
6	40541405	SHIM 6X10X0,15	X
6	40541406	SHIM 6X11X0,15	X
6	40541408	SHIM 6X8,0X0,30	X

080000190

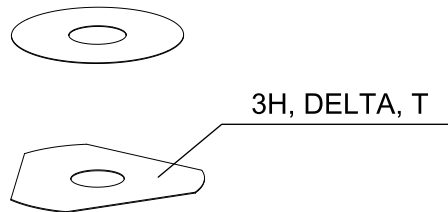
4668

* NEW PART

X ON DEMAND



- ⑤ Ø 5 mm
- ⑥ Ø 6 mm
- ⑧ Ø 8 mm
- ⑩ Ø 10 mm
- ⑫ Ø 12 mm
- ⑭ Ø 14-14,5 mm
- ⑯ Ø 16 mm
- ⑳ Ø 20 mm
- ㉑ Ø 21 mm
- ㉒ Ø 22 mm
- ㉓ Ø 23 mm
- ㉔ Ø 24,5 mm
- ㉘ Ø 28,5 mm
- ㉚ Ø 32 mm
- ㉜ Ø 52 mm



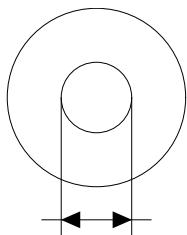
POS	PARTNUMBER	PARTNAME	PIECE
6	40541414	SHIM 6X8,0X0,10	X
6	40541416	SHIM 6X8X0,3	X
6	40541417	SHIM 6X11X0,25	X
6	48600102	SHIM 6X24X0,25	X
6	48600063	SHIM 6X24X0,1	X
6	48600064	SHIM 6X22X0,1	X
6	48600065	SHIM 6X20X0,1	X
6	48600069	SHIM 6X20X0,15	X
6	48600100	SHIM 6X24X0,15	X
6	48600116	SHIM 6X24X0,1 DELTA	X
6	48600139	SHIM 6X22X0,1 DELTA	X
6	48600217	BACKPLATE 6X10X0,25	X
6	48600325	SHIM 6X13X0,1	X
6	48600327	SHIM 6X15X0,1	X
6	48600329	SHIM 6X17X0,1	X
6	48600331	SHIM 6X19X0,1	X
6	48600096	SHIM 6X20X0,25	X
6	48600097	SHIM 6X22X0,15	X
6	48600099	SHIM 6X22X0,25	X
6	40540448	BACKPLATE 6X8,5X0,30	X
6	48600479	SHIM 6X20X0,1 T/3H	X
6	48600332	SHIM 6X21X0,1	X
6	48600333	SHIM 6X23X0,1	X
6	40541393	SHIM 6X12X0,3	X
6	48600330	SHIM 6X17X0,15	X
6	48600988	SHIM 6X28X0,10	X
6	48600989	SHIM 6X26X0,10	X
6	48601091	SHIM 6X28X0,15	X
6	48601093	SHIM 6X26X0,15	X
6	48600328	SHIM 6X15X0,15	X
6	48600326	SHIM 6X13X0,15	X
6	48601548	SHIM 6X17X1,5	X
6	48601693	SHIM 6X18X3	X
6	48600098	SHIM 6X22X0,20	X
6	48601300	WASHER 6X25X1,5	X
6	48601692	SHIM 6X30X0,15	X
6	48601550	SHIM 6X30X0,10	X
6	40541392	SHIM 6X8X0,20	X

080000190

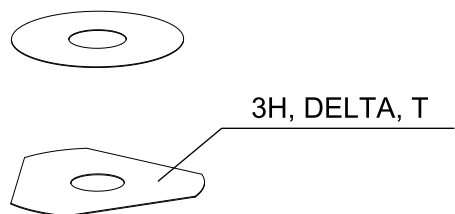
4668

* NEW PART

X ON DEMAND



- ⑤ Ø 5 mm
- ⑥ Ø 6 mm
- ⑧ Ø 8 mm
- ⑩ Ø 10 mm
- ⑫ Ø 12 mm
- ⑭ Ø 14-14,5 mm
- ⑯ Ø 16 mm
- ⑳ Ø 20 mm
- ㉑ Ø 21 mm
- ㉒ Ø 22 mm
- ㉓ Ø 23 mm
- ㉔ Ø 24,5 mm
- ㉘ Ø 28,5 mm
- ㉚ Ø 32 mm
- ㉜ Ø 52 mm



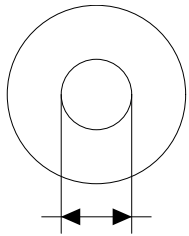
POS	PARTNUMBER	PARTNAME	PIECE
8	40540477	SHIM 8X18X0,4	X
8	43570120	SHIM 8X18X0,10	X
8	44916098	WASHER 8,4X16X0,8	X
8	44916130	WASHER 8,2X15X1	X
8	44916180	WASHER 8,2X11X1	X
8	48600214	SHIM 8X16X0,1	X
8	48600385	SHIM 8x14x0,25	X
8	48600346	SHIM 8X11X0,2	X
8	48600215	CHECK VALVE 8X20X0,1	X
8	48600485	SHIM 8X10X0,10	X
8	48601402	SHIM 8X13X0,10	X
8	48600350	CHECK VALVE 8X16X0,15	X
8	48600061	CHECK VALVE 8X24X0,4	X
8	48600062	CHECK VALVE 8X24X0,1	X
8	48600216	CHECK VALVE 8X22X0,1	X
8	48600480	SHIM 8X10X0,20	X
8	48600555	SHIM 8X16X0,20	X
8	48600213	SHIM 8X14X0,10	X
8	48600357	CHECK VALVE 8X11X0,1	X
8	48600351	CHECK VALVE 8X12X0,1	X
8	48600607	Steering damper washer	X
8	48601095	SHIM 8X17X0,10	X
8	48600352	CHECK VALVE 8X11X0,4	X
8	48601860	Washer 8x11x0,15	X
10	36120284	SHIM 10X16X0,10	X
10	36120298	SHIM 10X16X0,2	X
10	36120312	SHIM 10X16X0,30	X
10	36120314	SHIM 10X18X0,30	X
10	36120325	SHIM 10X19X0,15	X
10	36120327	SHIM 10X23X0,15	X
10	36120328	SHIM 10X25X0,15	X
10	36120329	SHIM 10X27X0,15	X
10	36120330	SHIM 10X29X0,15	X
10	36120331	SHIM 10X31X0,15	X
10	36120332	SHIM 10X33X0,15	X
10	36120334	SHIM 10X21X0,20	X
10	36120335	SHIM 10X23X0,20	X
10	36120336	SHIM 10X25X0,20	X

080000190

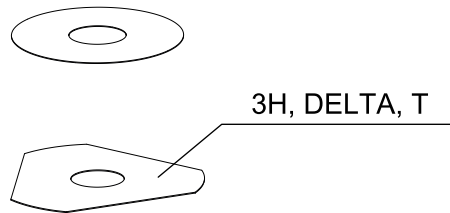
4668

* NEW PART

X ON DEMAND



- ⑤ Ø 5 mm
- ⑥ Ø 6 mm
- ⑧ Ø 8 mm
- ⑩ Ø 10 mm
- ⑫ Ø 12 mm
- ⑭ Ø 14-14,5 mm
- ⑯ Ø 16 mm
- ⑳ Ø 20 mm
- ㉑ Ø 21 mm
- ㉒ Ø 22 mm
- ㉓ Ø 23 mm
- ㉔ Ø 24,5 mm
- ㉘ Ø 28,5 mm
- ㉚ Ø 32 mm
- ㉜ Ø 52 mm



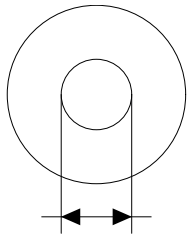
POS	PARTNUMBER	PARTNAME	PIECE
10	36120337	SHIM 10X27X0,20	X
10	36120338	SHIM 10X29X0,20	X
10	36120339	SHIM 10X31X0,20	X
10	36120340	SHIM 10X33X0,20	X
10	36120342	SHIM 10X21X0,25	X
10	36120343	SHIM 10X23X0,25	X
10	36120344	SHIM 10X25X0,25	X
10	36120345	SHIM 10X27X0,25	X
10	36120349	SHIM 10X19X0,30	X
10	36120350	SHIM 10X21X0,30	X
10	36120313	SHIM 10X17X0,30	X
10	36120354	SHIM 10X29X0,30	X
10	40140275	WASHER 10X35X0,15	X
10	48601708	SHIM 10X30X0,40	X
10	36120346	SHIM 10X29X0,25	X
10	36120355	SHIM 10X31X0,30	X
10	36120348	SHIM 10X33X0,25	X
10	36120604	SHIM D10XD22X2,5	X
12	46810490	SHIM 12X24X0,20	X
12	46810491	SHIM 12X26X0,20	X
12	46810492	SHIM 12X28X0,20	X
12	46810493	SHIM 12X30X0,20	X
12	46810494	SHIM 12X32X0,20	X
12	46810495	SHIM 12X34X0,20	X
12	46810496	SHIM 12X36X0,20	X
12	46810497	SHIM 12X38X0,20	X
12	46810498	SHIM 12X40X0,20	X
12	46810499	SHIM 12X24X0,25	X
12	46810500	SHIM 12X26X0,25	X
12	46810501	SHIM 12X28X0,25	X
12	46810502	SHIM 12X30X0,25	X
12	46810504	SHIM 12X34X0,25	X
12	46810505	SHIM 12X36X0,25	X
12	46810507	SHIM 12X40X0,25	X
12	46810508	SHIM 12X24X0,30	X
12	46810509	SHIM 12X26X0,30	X
12	46810510	SHIM 12X28X0,30	X
12	46810512	SHIM 12X32X0,30	X

080000190

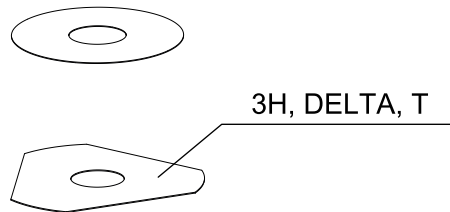
4668

* NEW PART

X ON DEMAND



- ⑤ Ø 5 mm
- ⑥ Ø 6 mm
- ⑧ Ø 8 mm
- ⑩ Ø 10 mm
- ⑫ Ø 12 mm
- ⑭ Ø 14-14,5 mm
- ⑯ Ø 16 mm
- ⑳ Ø 20 mm
- ㉑ Ø 21 mm
- ㉒ Ø 22 mm
- ㉓ Ø 23 mm
- ㉔ Ø 24,5 mm
- ㉘ Ø 28,5 mm
- ㉚ Ø 32 mm
- ㉜ Ø 52 mm



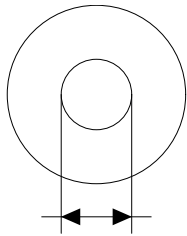
POS	PARTNUMBER	PARTNAME	PIECE
12	46810513	SHIM 12X34X0,30	X
12	46810518	SHIM 12X26X0,15	X
12	46810519	SHIM 12X28X0,15	X
12	46810520	SHIM 12X30X0,15	X
12	46810521	SHIM 12X32X0,15	X
12	46810522	SHIM 12X34X0,15	X
12	46810523	SHIM 12X36X0,15	X
12	46810524	SHIM 12X38X0,15	X
12	46810525	SHIM 12X40X0,15	X
12	46810604	SHIM 12X20X0,10	X
12	46810606	SHIM 12X22X0,10	X
12	46810607	SHIM 12X23X0,10	X
12	46810608	SHIM 12X24X0,10	X
12	46810610	SHIM 12X27X0,15	X
12	46810611	SHIM 12X18X0,15	X
12	46810612	SHIM 12X19X0,15	X
12	46810615	SHIM 12X22X0,15	X
12	46810636	BACKPLATE 12X16X0,30	X
12	46810637	BACKPLATE 12X17X0,30	X
12	46810638	BACKPLATE 12X18X0,30	X
12	46810639	SHIM 12X19X0,30	X
12	46810641	BACKPLATE 12X21X0,30	X
12	46811582	BACKPLATE 12X30X0,10	X
12	46810631	SHIM 12X20X0,25	X
12	46810633	SHIM 12X22X0,25	X
12	46811580	SHIM 12X32X0,10	X
12	46810503	SHIM 12X32X0,25	X
12	46810517	SHIM 12X24X0,15	X
12	46810856	SHIM 12X20X0,3 CC	X
12	46811258	RING 12X24X2,5	X
12	46812018	SHIM 12X42X0,25	X
12	46812015	SHIM 12X44X0,20	X
12	46810613	SHIM 12X20X0,15	X
12	46810623	SHIM 12X21X0,20	X
12	46810624	SHIM 12X22X0,20	X
12	46810642	SHIM 12X22X0,30	X
12	46810643	SHIM 12X23X0,30	X
12	46811629	SHIM 12X28X0,10	X

080000190

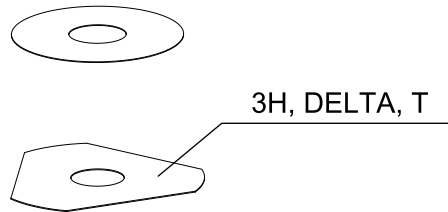
4668

* NEW PART

X ON DEMAND



- ⑤ Ø 5 mm
- ⑥ Ø 6 mm
- ⑧ Ø 8 mm
- ⑩ Ø 10 mm
- ⑫ Ø 12 mm
- ⑭ Ø 14-14,5 mm
- ⑯ Ø 16 mm
- ⑳ Ø 20 mm
- ㉑ Ø 21 mm
- ㉒ Ø 22 mm
- ㉓ Ø 23 mm
- ㉔ Ø 24,5 mm
- ㉘ Ø 28,5 mm
- ㉚ Ø 32 mm
- ㉜ Ø 52 mm



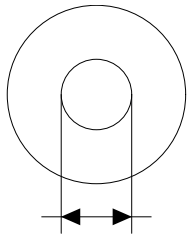
POS	PARTNUMBER	PARTNAME	PIECE
12	46810511	SHIM 12X30X0,30	X
12	46810514	SHIM 12X36X0,30	X
12	46810506	SHIM 12X38X0,25	X
12	46810515	SHIM 12X38X0,30	X
12	46812017	SHIM 12X42X0,20	X
12	46812016	SHIM 12X44X0,25	X
12	46810622	SHIM 12X20X0,20	X
12	46811635	BENDING DISK 12X26X0,10	X
14	46811046	SHIM 14,5X35,4X1,25	X
16	50180023	SHIM 16X23X0,20	X
16	50180030	SHIM	X
16	50180006	BACKPLATE 16X20X0,10	X
16	50180007	SHIM 16X21X0,10	X
16	50180028	SHIM 16X21X0,25	X
16	50180210	WASHER 16X21X1	X
16	50180008	SHIM 16X22X0,10	X
16	50180022	SHIM 16X22X0,20	X
16	50180037	SHIM 16X23X0,30	X
16	50180038	SHIM 16X24X0,30	X
16	50180032	SHIM 15X25X0,25	X
16	50180039	SHIM 16X25X0,30	X
16	50180012	SHIM 16X26X0,10	X
16	50180019	SHIM 16X26X0,15	X
16	50180026	SHIM 16X26X0,20	X
16	50180040	SHIM 16X26X0,30	X
16	50180041	SHIM 16X28X0,10	X
16	50180045	SHIM 16X28X0,15	X
16	50180054	SHIM 16X28X0,20	X
16	50180063	SHIM 16X28X0,25	X
16	50180072	SHIM 16X28X0,30	X
16	50180046	SHIM 16X30X0,15	X
16	50180055	SHIM 16X30X0,20	X
16	50180064	SHIM 16X30X0,25	X
16	50180073	SHIM 16X30X0,30	X
16	50180047	SHIM 16X32X0,15	X
16	50180056	SHIM 16X32X0,20	X
16	50180065	SHIM 16X32X0,25	X
16	50180074	SHIM 16X32X0,30	X

080000190

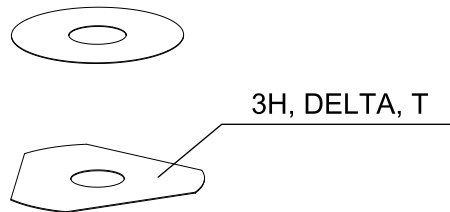
4668

* NEW PART

X ON DEMAND



- ⑤ Ø 5 mm
- ⑥ Ø 6 mm
- ⑧ Ø 8 mm
- ⑩ Ø 10 mm
- ⑫ Ø 12 mm
- ⑭ Ø 14-14,5 mm
- ⑯ Ø 16 mm
- ⑳ Ø 20 mm
- ㉑ Ø 21 mm
- ㉒ Ø 22 mm
- ㉓ Ø 23 mm
- ㉔ Ø 24,5 mm
- ㉘ Ø 28,5 mm
- ㉚ Ø 32 mm
- ㉜ Ø 52 mm



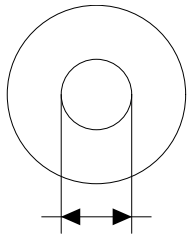
POS	PARTNUMBER	PARTNAME	PIECE
16	50180044	SHIM 16X34X0,10	X
16	50180048	SHIM 16X34X0,15	X
16	50180057	SHIM 16X34X0,20	X
16	50180066	SHIM 16X34X0,25	X
16	50180075	SHIM 16X34X0,30	X
16	50180049	SHIM 16X36X0,15	X
16	50180058	SHIM 16X36X0,20	X
16	50180067	SHIM 16X36X0,25	X
16	50180076	SHIM 16X36X0,30	X
16	50180050	SHIM 16X38X0,15	X
16	50180059	SHIM 16X38X0,20	X
16	50180068	SHIM 16X38X0,25	X
16	50180077	SHIM 16X38X0,30	X
16	50180051	SHIM 16X40X0,15	X
16	50180060	SHIM 16X40X0,20	X
16	50180069	SHIM 16X40X0,25	X
16	50180078	SHIM 16X40X0,30	X
16	50180052	SHIM 16X42X0,15	X
16	50180061	SHIM 16X42X0,20	X
16	50180070	SHIM 16X42X0,25	X
16	50180079	SHIM 16X42X0,30	X
16	50180053	SHIM 16X44X0,15	X
16	50180062	SHIM 16X44X0,20	X
16	50180071	SHIM 16X44X0,25	X
16	50180080	SHIM 16X44X0,30	X
16	50180177	WASHER 16X8,2X0,6	X
16	50180033	SHIM 16X26X0,25	X
16	50180034	BACKPLATE 16X20X0,30	X
16	50180035	BACKPLATE 16X21X0,30	X
16	50180036	BACKPLATE 16X22X0,30	X
16	50180043	SHIM 16X32X0,10	X
16	50180024	SHIM 16X24X0,20	X
16	50180027	SHIM 16X20X0,25	X
16	50180031	SHIM	X
16	50180029	SHIM	X
16	50180010	SHIM 16X24X0,10	X
20	48600212	PRESSURE-RING 20X16,25X0,20	X
20	50180666	SHIM 20X24X0,30	X

080000190

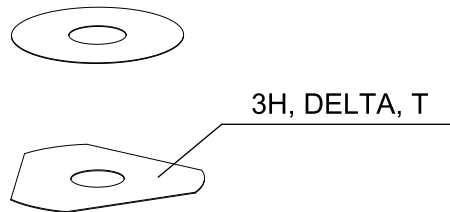
4668

* NEW PART

X ON DEMAND



- ⑤ Ø 5 mm
- ⑥ Ø 6 mm
- ⑧ Ø 8 mm
- ⑩ Ø 10 mm
- ⑫ Ø 12 mm
- ⑭ Ø 14-14,5 mm
- ⑯ Ø 16 mm
- ⑳ Ø 20 mm
- ㉑ Ø 21 mm
- ㉒ Ø 22 mm
- ㉓ Ø 23 mm
- ㉔ Ø 24,5 mm
- ㉘ Ø 28,5 mm
- ㉚ Ø 32 mm
- ㉜ Ø 52 mm



POS	PARTNUMBER	PARTNAME	PIECE
20	50180654	SHIM 20X36X0,20	X
20	50180655	SHIM 20X38X0,20	X
20	50180656	SHIM 20X40X0,20	X
20	50180665	SHIM 20X40X0,25	X
20	50180662	SHIM 20X34X0,25	X
20	50180657	SHIM 20X24X0,25	X
20	50180653	SHIM 20X34X0,20	X
20	50180634	RING 20X22,9X1	X
20	50180650	SHIM 20,2X28X0,20	X
20	50180663	SHIM 20X36X0,25	X
20	50180664	SHIM 20X38X0,25	X
20	50180659	SHIM 20,2X28X0,25	X
21	50180209	WASHER 21X36X0,25	X
22	50180330	PRESS. RING 22X18X0,30	X
23	50180635	SHUTTLE VALVE 23X38X0,25	X
23	50180578	SHIM D23XD16X2	X
24	40541061	WASHER 24,5X34X2	X
28	36120469	SHIM 28,5X14X2	X
28	36120471	SHIM 28,5X14X5	X
32	48600460	WASHER 32X42X2,5	X
32	50600065	SHIM 32X45X2	X
32	46811637	PRESSURE RING 36X32,25	X
52	50600002	SHIM 52X59X2,2	X

080000190

4668

* NEW PART

X ON DEMAND

A large, empty rectangular box with a thin black border, occupying the majority of the page. It is intended for the user to write their notes for the Freeride E-XC NG 2018 event.

A large, empty rectangular box with a thin black border, occupying the majority of the page. It is intended for the user to write their notes for the Freeride E-XC NG 2018 event.

A large, empty rectangular box with a thin black border, occupying the majority of the page. It is intended for the user to write their notes for the Freeride E-XC NG 2018 event.

WWW.KTM.COM



KTM Sportmotorcycle GmbH
5230 Mattighofen, Austria
www.ktm.com



KTM_POWERPARTS

KTM_POWERWEAR

KTM_ORIGINAL SPARE PARTS



F3001R3EN

Art. Nr.: F3001R3EN 24. Juli 2017