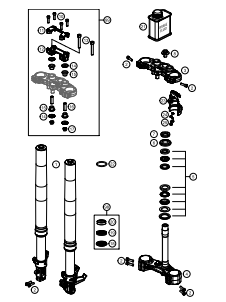
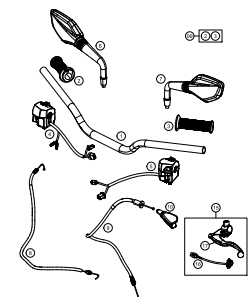
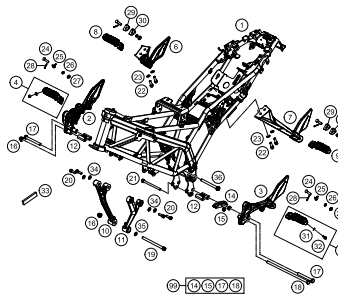
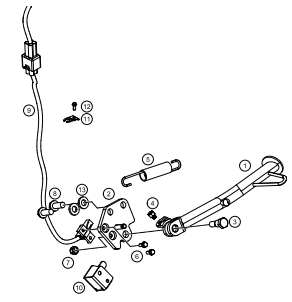
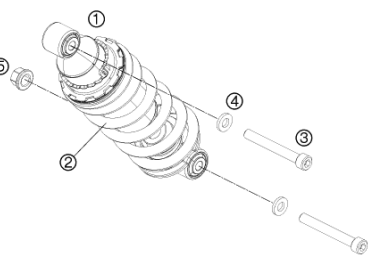
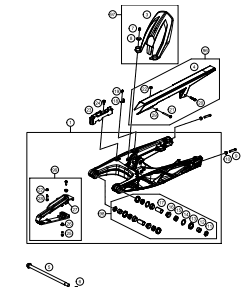
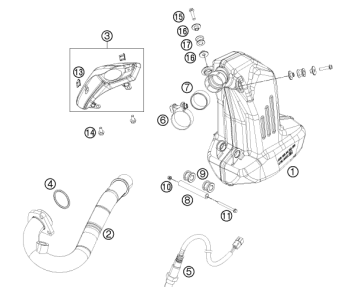
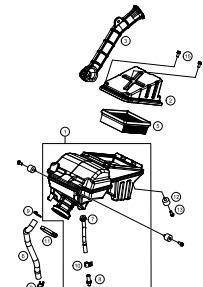
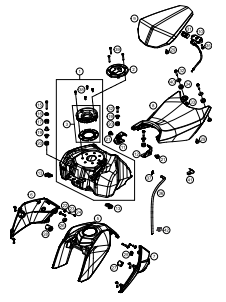
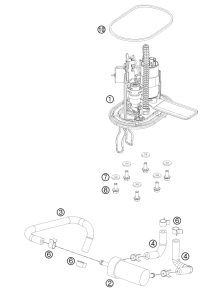
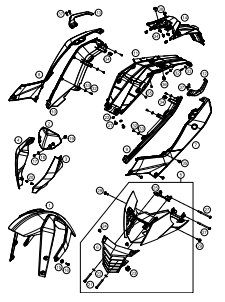
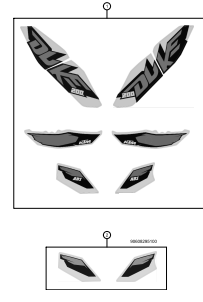


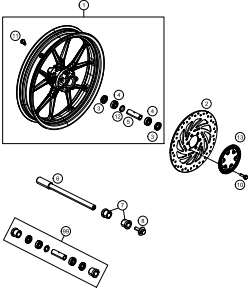
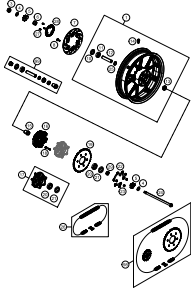
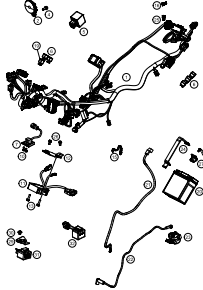
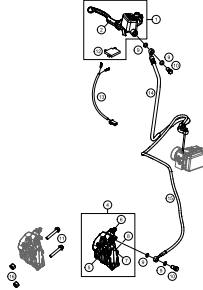
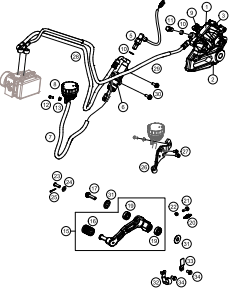
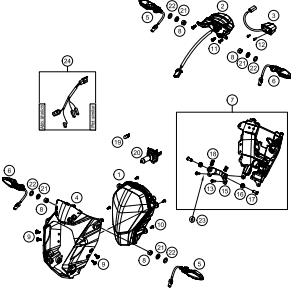
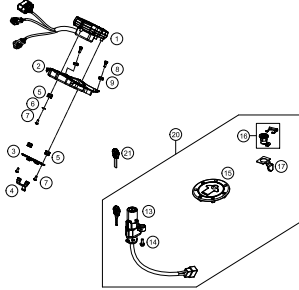
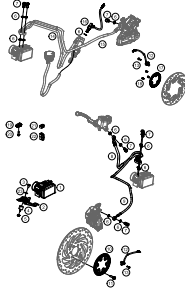
# 200 DUKE WHITE ABS EU 2014

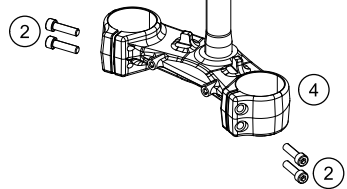
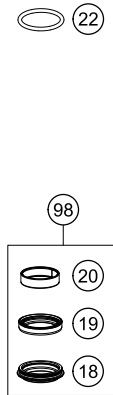
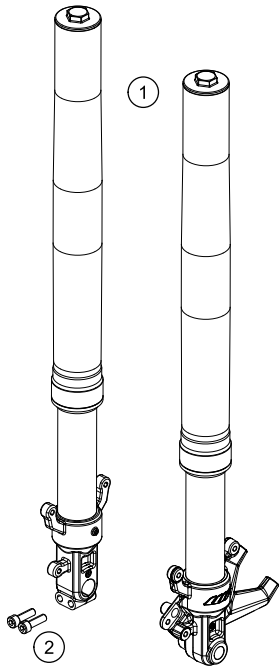
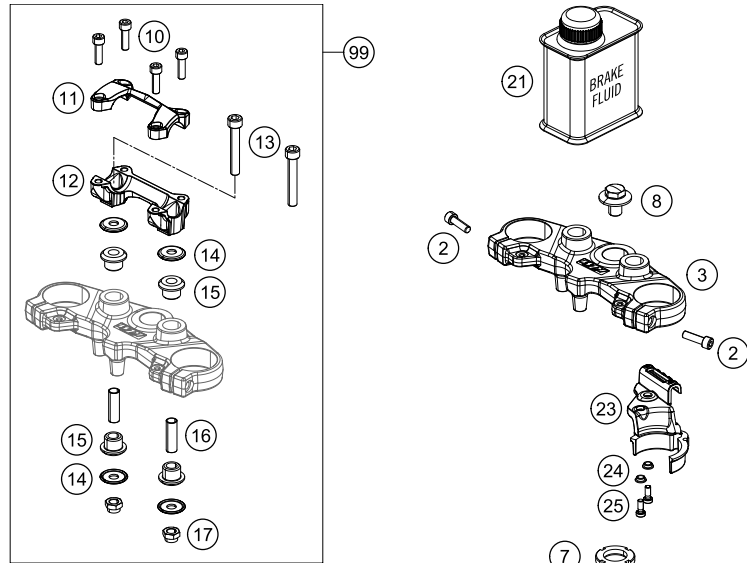
ART.-NR.: 3CFF4103N5EN





|  |   |  |   |
|--|---|--|---|
| <p><b>TRIPLE CLAMP, FRONT FORK</b></p>  <p><b>3</b></p> | <p><b>HANDLEBAR, CONTROLS</b></p>  <p><b>4</b></p> | <p><b>FRAME</b></p>  <p><b>5</b></p>            | <p><b>SIDE / CENTER STAND</b></p>  <p><b>6</b></p> |
| <p><b>SHOCK ABSORBER</b></p>  <p><b>7</b></p>           | <p><b>SWING ARM</b></p>  <p><b>8</b></p>           | <p><b>EXHAUST SYSTEM</b></p>  <p><b>9</b></p>   | <p><b>AIR FILTER</b></p>  <p><b>10</b></p>         |
| <p><b>TANK, SEAT, COVER</b></p>  <p><b>11</b></p>     | <p><b>FUEL PUMP</b></p>  <p><b>12</b></p>        | <p><b>MASK, FENDERS</b></p>  <p><b>13</b></p> | <p><b>DECAL</b></p>  <p><b>14</b></p>            |

|  |   |   |  |
|--|---|---|--|
| <p><b>FRONT WHEEL</b></p>  <p style="text-align: right;"><b>15</b></p>  | <p><b>REAR WHEEL</b></p>  <p style="text-align: right;"><b>16</b></p>      | <p><b>WIRING HARNESS</b></p>  <p style="text-align: right;"><b>17</b></p>            | <p><b>BRAKE SYSTEM FRONT</b></p>  <p style="text-align: right;"><b>18</b></p>   |
| <p><b>BRAKE SYSTEM REAR</b></p>  <p style="text-align: right;"><b>19</b></p>  | <p><b>LIGHTING SYSTEM</b></p>  <p style="text-align: right;"><b>20</b></p> | <p><b>INSTRUMENTS / LOCK SYSTEM</b></p>  <p style="text-align: right;"><b>21</b></p> | <p><b>ANTIBLOCK SYSTEM ABS</b></p>  <p style="text-align: right;"><b>22</b></p> |
| <div style="display: flex; align-items: center;"> <div style="background-color: #cccccc; width: 50px; height: 100px; display: flex; align-items: center; justify-content: center; margin-right: 20px;"> <span style="font-size: 40px; font-weight: bold;">!</span> </div> <div> <p>All information contained is without obligation. KTM-Sportmotorcycle AG particularly reserves the right to modify any equipment, technical specifications, prices, colors, shapes, materials, services, service work, constructions, equipment and the like so as to adapt them to local conditions or to cancel any of the above items, all without previous announcement and without giving reasons. KTM may stop manufacturing certain models without previous notice. KTM shall not be held liable for any deviations of availability and/or ability to deliver, illustrations, descriptions, printing and/or other errors. The illustrated models partly contain extra equipment, which is not applied to standard models.</p> <p>© by KTM-SPORTMOTORCYCLE AG, Mattighofen AUSTRIA; All rights reserved; Reprint, also in extracts, with written allowance of KTMSPORTMOTORCYCLE AG, Mattighofen only.</p> </div> </div> |   |   |  |



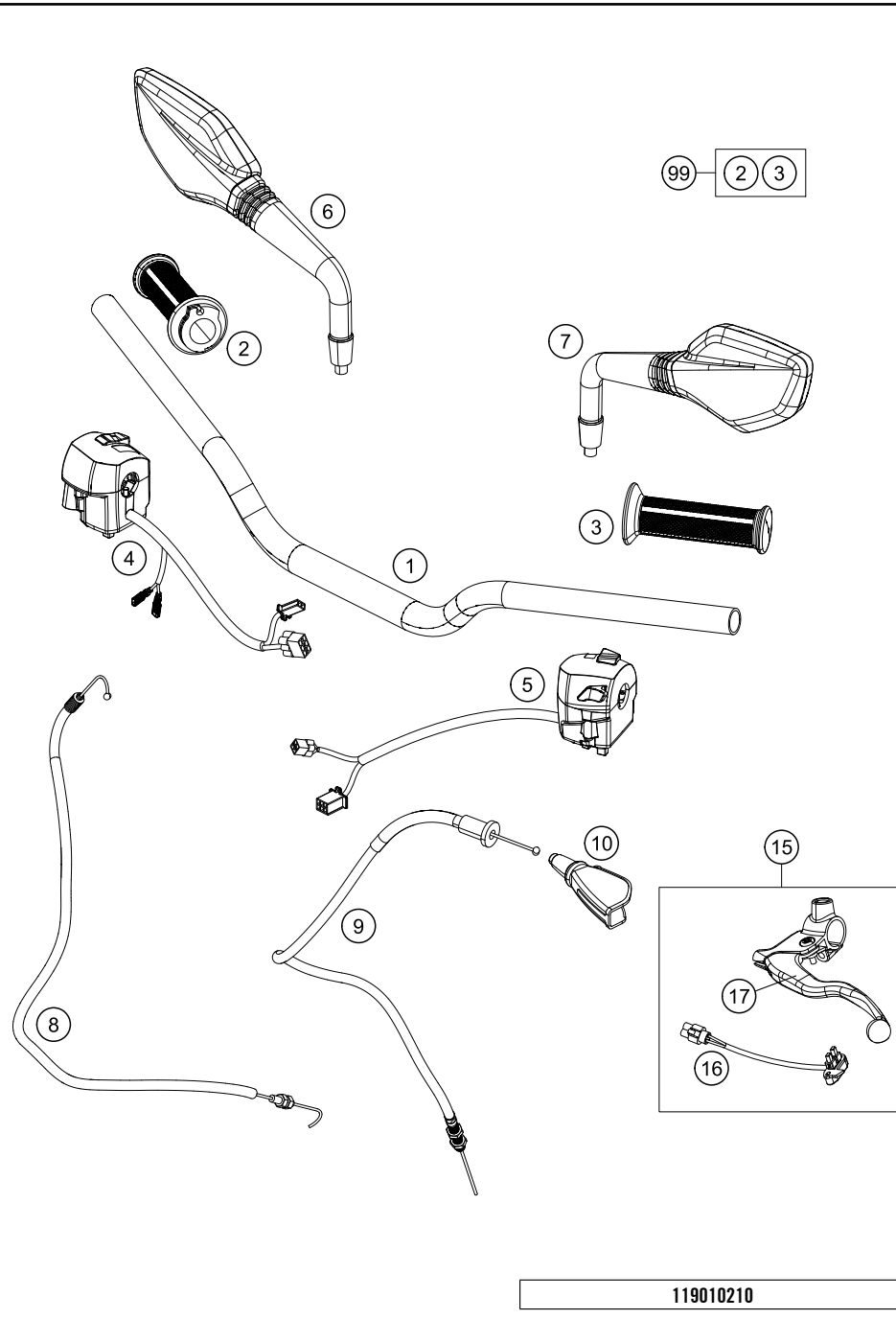
139010110

| POS | PARTNUMBER  | PARTNAME                      | PIECE |
|-----|-------------|-------------------------------|-------|
| 1   | 90101001100 | FORK LEG L/S CPL.             | 1     |
| 1   | 90101002100 | FORK LEG R/S CPL.             | 1     |
| 2   | J020080273  | AH SCREW M8X27                | 8     |
| 3   | 90101034035 | TOP TRIPLE CLAMP              | 1     |
| 4   | 90101032100 | BOT. TRIPLE CLAMP CPL.        | 1     |
| 5   | 90101080044 | STEERING HEAD BEARING-KIT     | 1     |
| 6   | 90101086000 | PROTECTION CAP                | 1     |
| 7   | 90101036000 | ADJUSTING RING STEERING HEAD  | 1     |
| 8   | 90101136000 | CLAMP SCREW STEERING HEAD     | 1     |
| 10  | 90101044000 | SPECIAL SCREW M8X29 SS        | 4     |
| 11  | 90101038000 | HANDLEBAR CLAMP               | 1     |
| 12  | 90101039000 | HANDLEBAR SUPPORT D=26MM      | 1     |
| 13  | J022100643  | AH SCREW M10X1,25X64          | 2     |
| 14  | 90101042000 | WASHER 10,5X32X2              | 4     |
| 15  | 90101040000 | RUBBER BUSHING                | 4     |
| 16  | 90101041000 | SPACER TUBE                   | 2     |
| 17  | J982101253  | SELF L. NUT M10X1,25 H11 WS17 | 1     |
| 18  | 43570624    | DUST CAP 43X53,4X5,8          | 2     |
| 19  | 43570623    | OIL SEAL RING 43X52,9X11,4    | 2     |
| 20  | 43570618    | GUIDE BUSHING 43X47X12        | 2     |
| 21  | 48601166S1  | FORK OIL SAE4 5L              | 1     |
| 22  | 40140024    | O-RING NBR 43X2               | 2     |
| 23  | 90113055000 | HOSE CLAMP                    | 1     |
| 24  | 90113055010 | SLEEVE FOR HOSE CLAMP         | 2     |
| 25  | J021060156  | AH SCREW M6X15 10.9           | 2     |
| 98  | 90101000010 | REP. KIT FORK KPL.            | x     |
| 99  | 90101039010 | HANDLEBAR SUPPORT KIT         | x     |

C139010110

\* NEW PART

X ON DEMAND



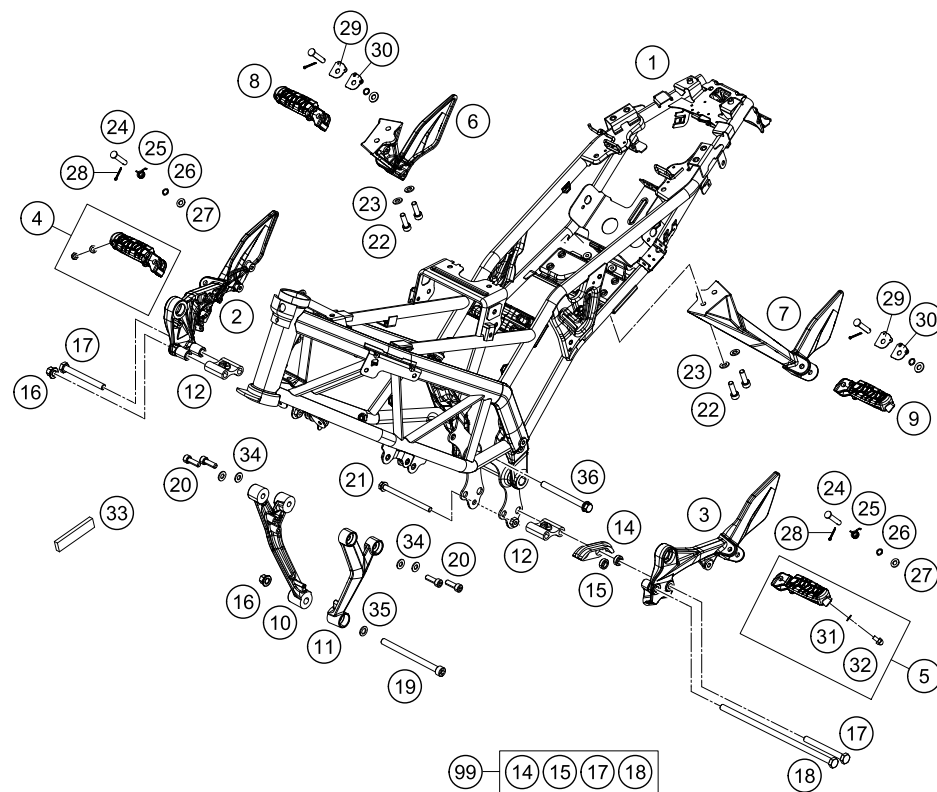
| POS | PARTNUMBER  | PARTNAME                      | PIECE |
|-----|-------------|-------------------------------|-------|
| 1   | 90102001000 | HANDLEBAR                     | 1     |
| 2   | 90102010000 | THROTTLE GRIP CPL.            | 1     |
| 3   | 90102039000 | FIXED GRIP                    | 1     |
| 4   | 90111074000 | START-EMERGENCY STOP SWITCH   | 1     |
| 5   | 90111070000 | SWITCH                        | 1     |
| 6   | 90112041000 | MIRROR R/S                    | 1     |
| 7   | 90112040000 | MIRROR L/S                    | 1     |
| 8   | 90102091000 | THROTTLE CABLE                | 1     |
| 9   | 90102090000 | CLUTCH CABLE                  | 1     |
| 10  | 90102016000 | PROTECTION CAP THROTTLE CABLE | 1     |
| 15  | 90102031200 | CLUTCH ARMATURE               | 1     |
| 16  | 90111049100 | SWITCH CLUTCH                 | 1     |
| 17  | 90502042000 | CLUTCH LEVER                  | 1     |
| 99  | 90102021000 | GRIP-SET                      | x     |

119010210

C149010210

\* NEW PART

X ON DEMAND



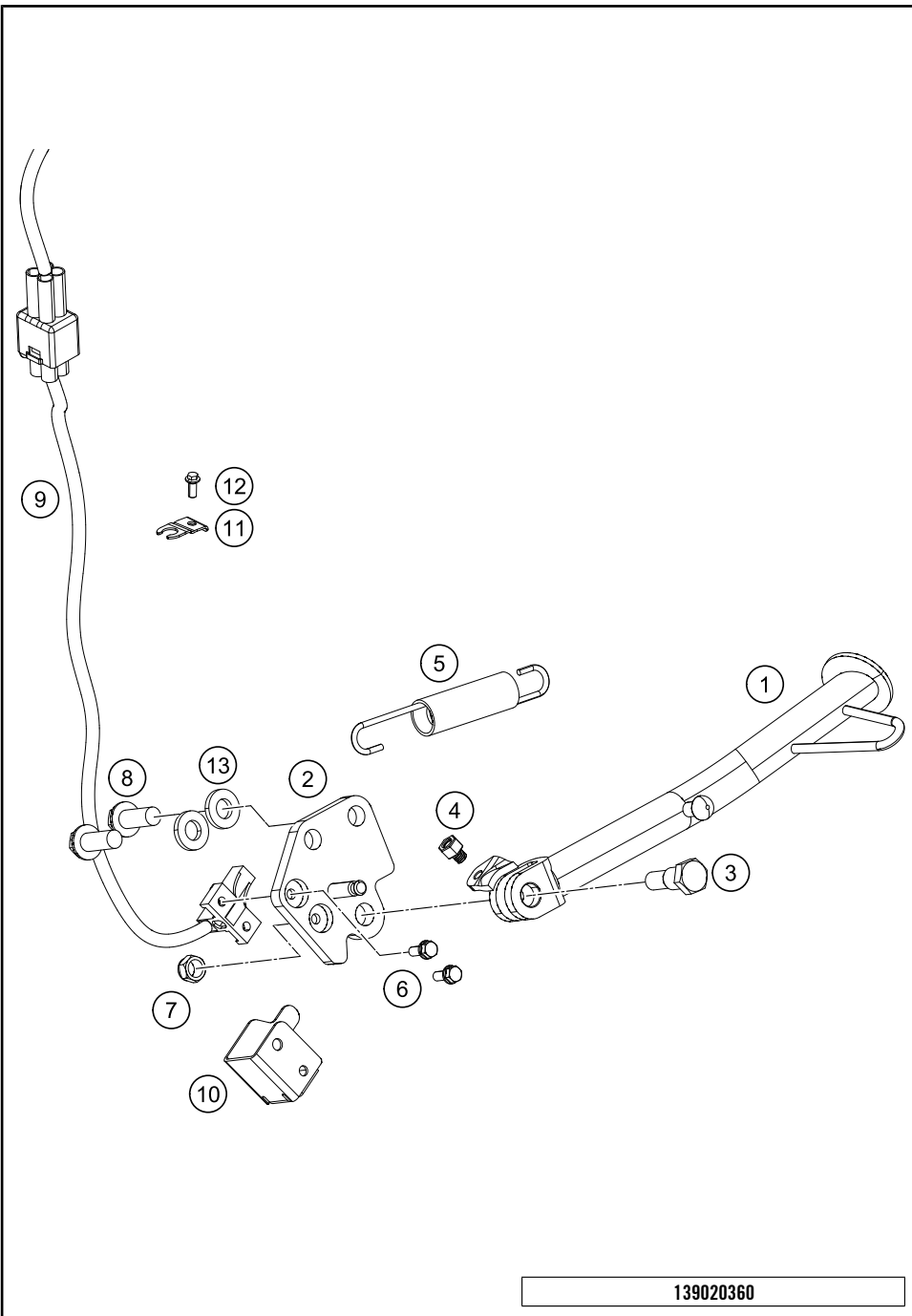
| POS | PARTNUMBER  | PARTNAME                     | PIECE |
|-----|-------------|------------------------------|-------|
| 1*  | 90103001200 | FRAME CPL.                   | 1     |
| 2   | 90103039000 | FOOTR. BRACKET FRONT R/S     | 1     |
| 3   | 90103038000 | FOOTREST BRACKET FRONT L/S   | 1     |
| 4   | 90103041033 | FOOTREST FRONT R/S CPL.      | 1     |
| 5   | 90103040033 | FOOTREST FRONT L/S CPL.      | 1     |
| 6   | 90103049000 | FOOTREST BRACKET REAR R/S    | 1     |
| 7   | 90103048000 | FOOTREST BRACKET REAR L/S    | 1     |
| 8   | 90103051033 | FOOTREST REAR R/S CPL.       | 1     |
| 9   | 90103050033 | FOOTREST REAR L/S CPL.       | 1     |
| 10  | 90103006000 | ENGINE SUPPORT R/S           | 1     |
| 11  | 90103005000 | ENGINE SUPPORT L/S           | 1     |
| 12  | 90103038001 | TAP FOOTREST BRACKET FRONT   | 2     |
| 14  | 90104070000 | CHAIN GUIDE                  | 1     |
| 15  | 90104066010 | SPACER CHAIN GUIDE           | 2     |
| 16  | 90103038002 | FLANGED NUT M10X1,25 WS14    | 2     |
| 17  | J025100926  | HH COLLAR SCREW M10X1,25X92  | 2     |
| 18  | J025102656  | HH COLLAR SCREW M10X1,25X265 | 1     |
| 19  | 90103013100 | SOCKET HEAD BOLT M10X1,5X113 | 1     |
| 20  | J912080183  | SOCKET HEAD BOLT M8X18       | 4     |
| 21  | J027081053  | HH COLLAR SCREW M8X105 SW12  | 1     |
| 22  | J020080273  | AH SCREW M8X27               | 4     |
| 23  | J125080003  | WASHER 8,2X16X1,5            | 4     |
| 24  | 90103044000 | BOLT FOR FOOTREST            | 4     |
| 25  | 90103042000 | RETURN SPRING FOOTREST       | 2     |
| 26  | J770009015  | O-RING 9X1,5                 | 4     |
| 27  | J125080004  | WASHER M8                    | 4     |
| 28  | J094018250  | PIN 25X1,8MM                 | 4     |
| 29  | 90103052000 | ENGAGE PANEL FOOTREST 1      | 2     |
| 30  | 90103053000 | ENGAGE PANEL FOOTREST 2      | 2     |
| 31  | 90103040001 | PLAIN WASHER 6,4X12X1        | 2     |
| 32  | J029060103S | CAP SCREW M6X10 SS           | 2     |
| 33  | 90103000001 | ANTI-ABRASIVE TAPE           | x     |
| 33  | 90103000002 | ANTI-ABRASIVE TAPE           | x     |
| 33  | 90103000003 | ANTI-ABRASIVE TAPE           | x     |
| 34  | J125080005  | WASHER M8                    | 4     |
| 35  | J125100005  | WASHER M10                   | 1     |
| 36  | J025101103  | HH COLLAR SCREW M10X110 WS14 | 1     |
| 99  | 90104070010 | CHAIN GUIDE KIT 125 DUKE     | x     |

149020310

C149010310

\* NEW PART

X ON DEMAND



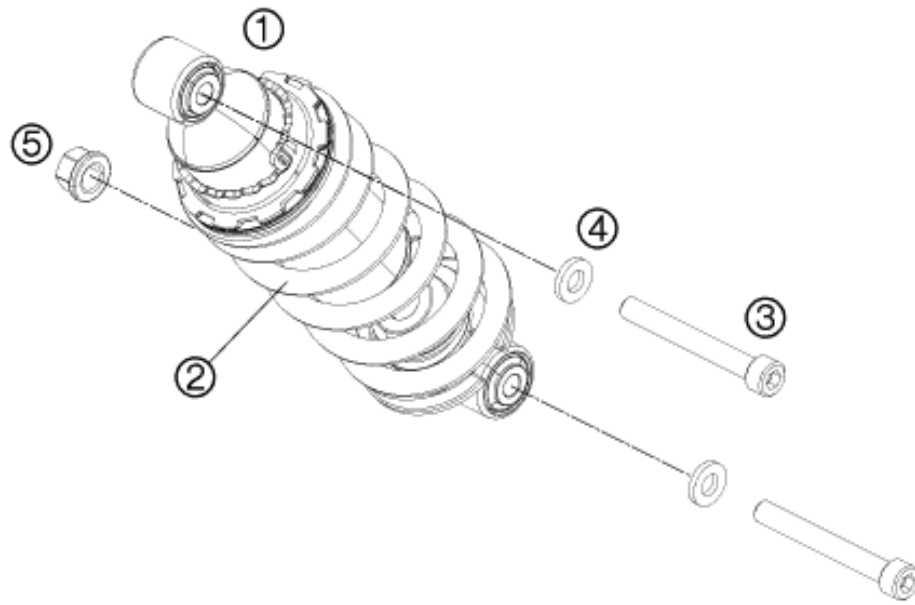
| POS | PARTNUMBER  | PARTNAME                      | PIECE |
|-----|-------------|-------------------------------|-------|
| 1   | 90103023000 | SIDE STAND                    | 1     |
| 2   | 90103026000 | SIDE STAND BRACKET            | 1     |
| 3   | 90103027000 | SCREW F. SIDE STAND           | 1     |
| 4   | 90103029000 | MAGNET HOLDER                 | 1     |
| 5   | 90603024000 | SIDE STAND SPRING             | 1     |
| 6   | J011050133  | HH COLLAR SCREW M5X13 SW8     | 2     |
| 7   | J982101253  | SELF L. NUT M10X1,25 H11 WS17 | 1     |
| 8   | J012100253S | HH COLLAR SCREW M10X1X25 SS   | 2     |
| 9   | 90111045000 | SIDE STAND SWITCH             | 1     |
| 10  | 90111045010 | GUARD F. SIDE STAND SWITCH    | 1     |
| 11  | 90111045050 | CABLE BRACKET                 | 1     |
| 12  | 90103032000 | FLANGED BOLT M6X14            | 1     |
| 13  | 90104010003 | PLAIN WASHER 10,2X20X3MM      | 2     |

139020360

C139020360

\* NEW PART X ON DEMAND





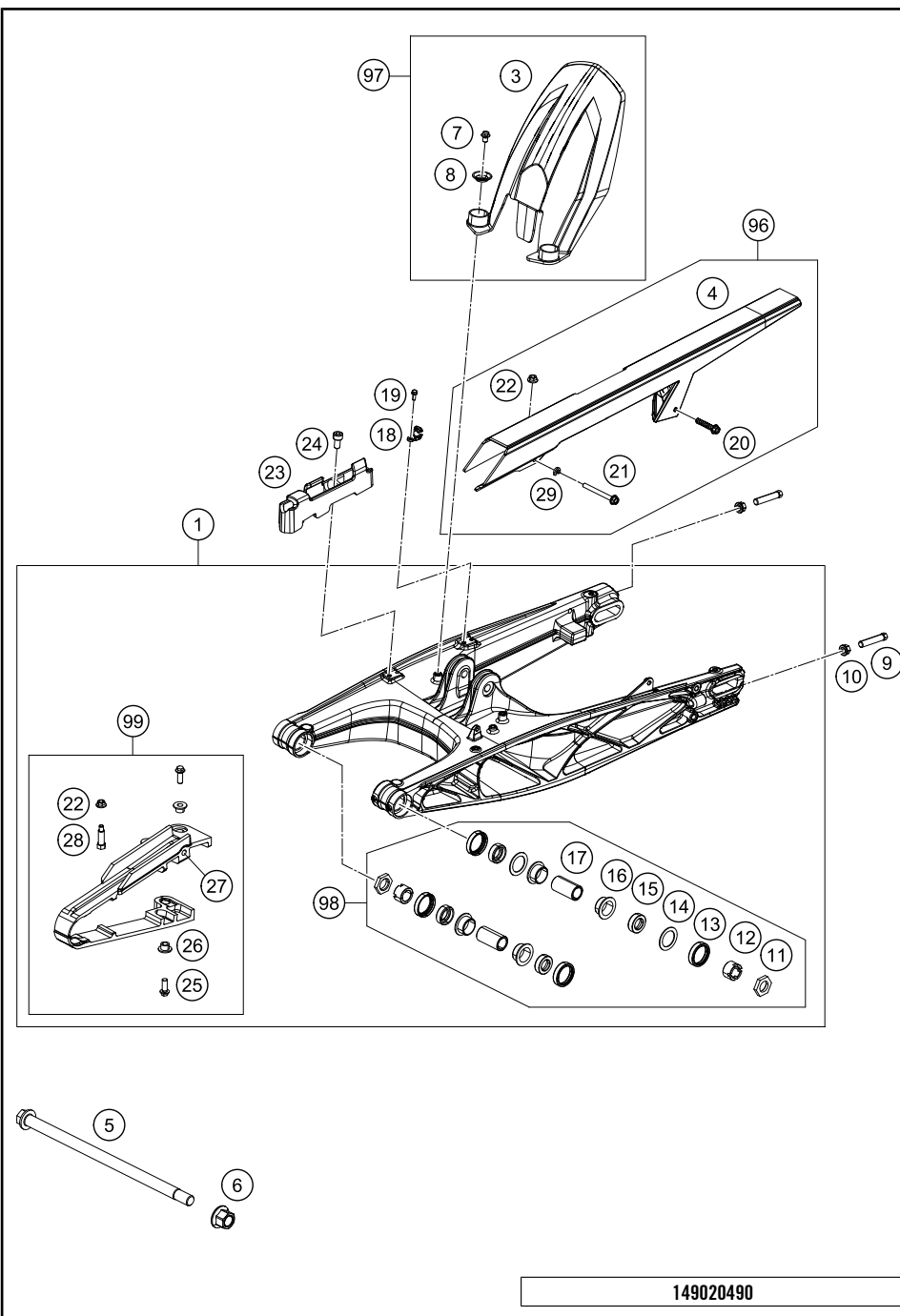
| POS | PARTNUMBER  | PARTNAME                  | PIECE |
|-----|-------------|---------------------------|-------|
| 1   | 90604010000 | SHOCK ABSORBER CPL.       | 1     |
| 2   | 90104011000 | SPRING MONOSHOCK          | 1     |
| 3   | J020100806  | AH SCREW M10x1,25X80 10.9 | 2     |
| 4   | 90104010003 | PLAIN WASHER 10,2X20X3MM  | 2     |
| 5   | 90104010002 | NUT FLANGED M10X1,25 WS13 | 1     |

119010410

C129060410

\* NEW PART

X ON DEMAND

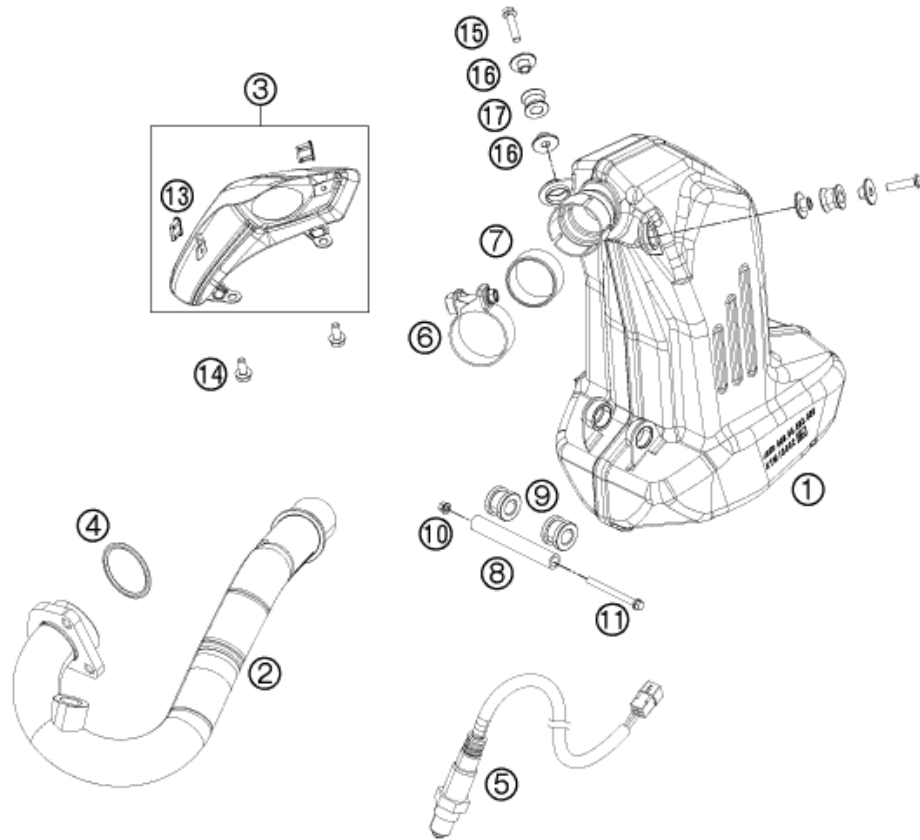


| POS | PARTNUMBER  | PARTNAME                    | PIECE |
|-----|-------------|-----------------------------|-------|
| 1   | 90104030033 | SWING ARM CPL.              | 1     |
| 3   | 90104050000 | SPLASH PROTECTOR            | 1     |
| 4   | 90104060000 | CHAIN GUARD CPL.            | 1     |
| 5   | 90104037000 | SWING ARM BOLT L=294MM      | 1     |
| 6   | 90104038000 | FLANGED NUT M14X1,5         | 1     |
| 7   | J025060083  | HH COLLAR SCREW M6X8 SW8    | 2     |
| 8   | 90104067000 | BUCKET                      | 2     |
| 9   | 90104040000 | BOLT HEX M10X1,25X50 WS10   | 2     |
| 10  | 90104010002 | NUT FLANGED M10X1,25 WS13   | 2     |
| 11  | 90104042000 | HEXAGONAL WASHER            | 2     |
| 12  | 90104046000 | ADJUSTING RING SWING ARM    | 2     |
| 13  | 90104034001 | OIL SEAL RING 25X32X7       | 4     |
| 14  | 90104036000 | STOP DISK 22.2X31.7X1       | 2     |
| 15  | 90104034000 | BUCKET FOR SHAFT SEAL RING  | 4     |
| 16  | 90104031000 | IGUS SLIDE BEARING          | 4     |
| 17  | 90104032000 | BUSHING SLEEVE 15.1X20X38   | 2     |
| 18  | 90113047000 | BRAKE HOSE GUIDE            | 1     |
| 19  | J011050133  | HH COLLAR SCREW M5X13 SW8   | 1     |
| 20  | 0017060303  | SPECIAL SCREW T60 6X30 WS=6 | 1     |
| 21  | J025050503  | HH COLLAR SCREW M5X50 WS8   | 1     |
| 22  | 90204060001 | HH COLLAR NUT               | 1     |
| 23  | 90113147000 | CLAMP FOR BRAKE HOSE        | 1     |
| 24  | J912050101  | AH SCREW M5X10 BLACK        | 1     |
| 25  | J025060169  | HH COLLAR SCREW M6X16 SW8   | 2     |
| 26  | 90604062000 | BUSH CHAIN GUARD            | 2     |
| 27  | 90104070020 | SLEEVE CHAIN GUARD          | 1     |
| 28  | 90104040100 | SCREW M5X0,8X30             | 1     |
| 29  | 90504067000 | WASHER CHAIN SLIDING GUARD  | 1     |
| 96  | 90104060110 | CHAIN PROTECTION KIT DUKE   | x     |
| 97  | 90106010010 | SPLASH GUARD KIT 390 DUKE   | x     |
| 98  | 90104230010 | SWINGARM REP. KIT 11-15     | x     |
| 99  | 90104066310 | CHAIN GUARD KIT 125DUKE12   | x     |

149020490

C149010490

\* NEW PART X ON DEMAND



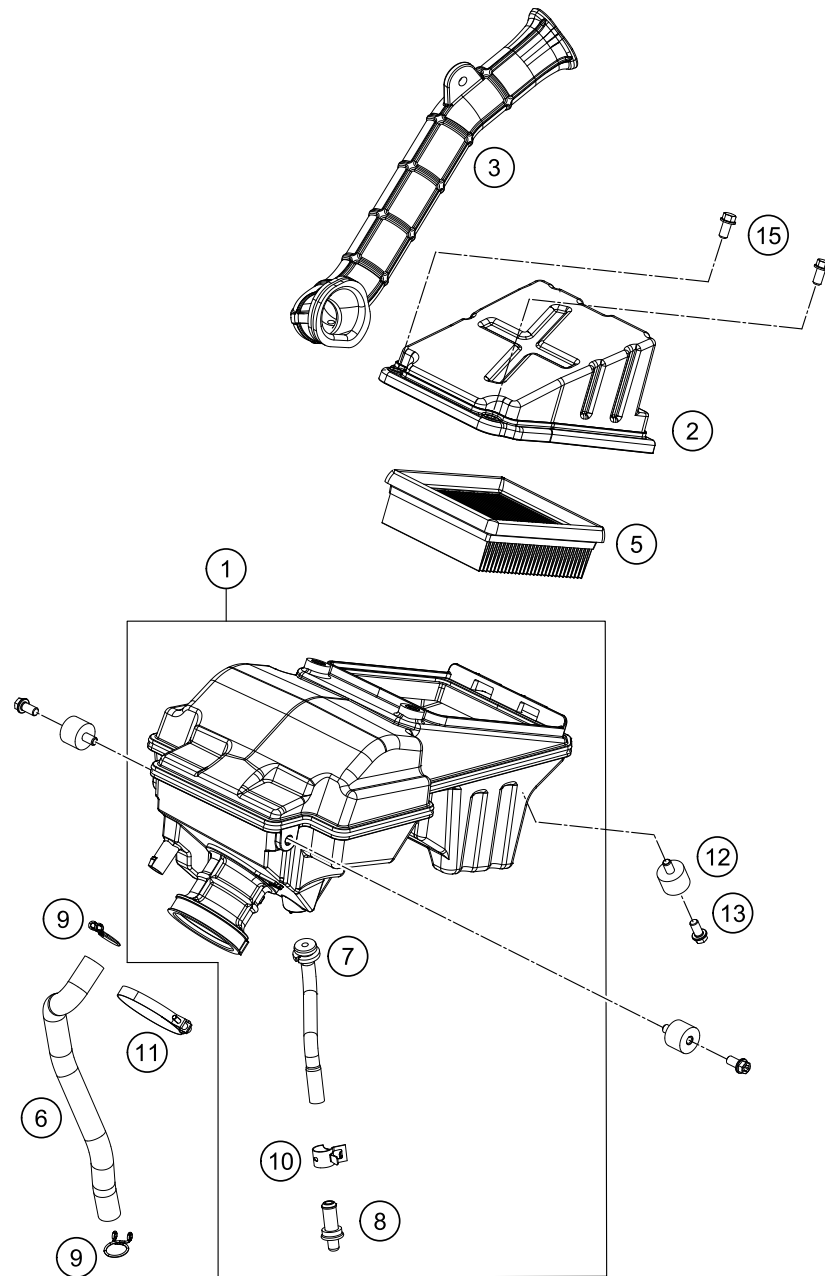
| POS | PARTNUMBER  | PARTNAME                    | PIECE |
|-----|-------------|-----------------------------|-------|
| 1   | 90605083000 | SILENCER                    | 1     |
| 2   | 90605007033 | EXHAUST MANIFOLD            | 1     |
| 3   | 90105090033 | HEAT SHIELD CPL.            | 1     |
| 4   | 90105004000 | EXHAUST PIPE FLANGE GASKET  | 1     |
| 5   | 90141090000 | LAMBDA SENSOR               | 1     |
| 6   | 90105051000 | CLAMP CPL.                  | 1     |
| 7   | 90105005000 | SEAL RING EXHAUST PIPE A    | 1     |
| 8   | 90105084000 | MOUNTING TUBE ED            | 1     |
| 9   | 90105068100 | DAMPING ELEMENT LOWER       | 2     |
| 10  | 90103038002 | FLANGED NUT M10X1,25 WS14   | 1     |
| 11  | J027081103  | HH COLLAR SCREW M8X110 SW12 | 1     |
| 13  | 90105085000 | RUBBER CAP                  | 2     |
| 14  | J025060146  | HH COLLAR SCREW M6X14 SW10  | 2     |
| 15  | J025060256  | HH COLLAR SCREW M6X25 SW10  | 2     |
| 16  | 90105069100 | COLLAR BUSH                 | 4     |
| 17  | 90105068200 | DAMPING ELEMENT UPPER       | 2     |

129060510

C129060510

\* NEW PART

X ON DEMAND



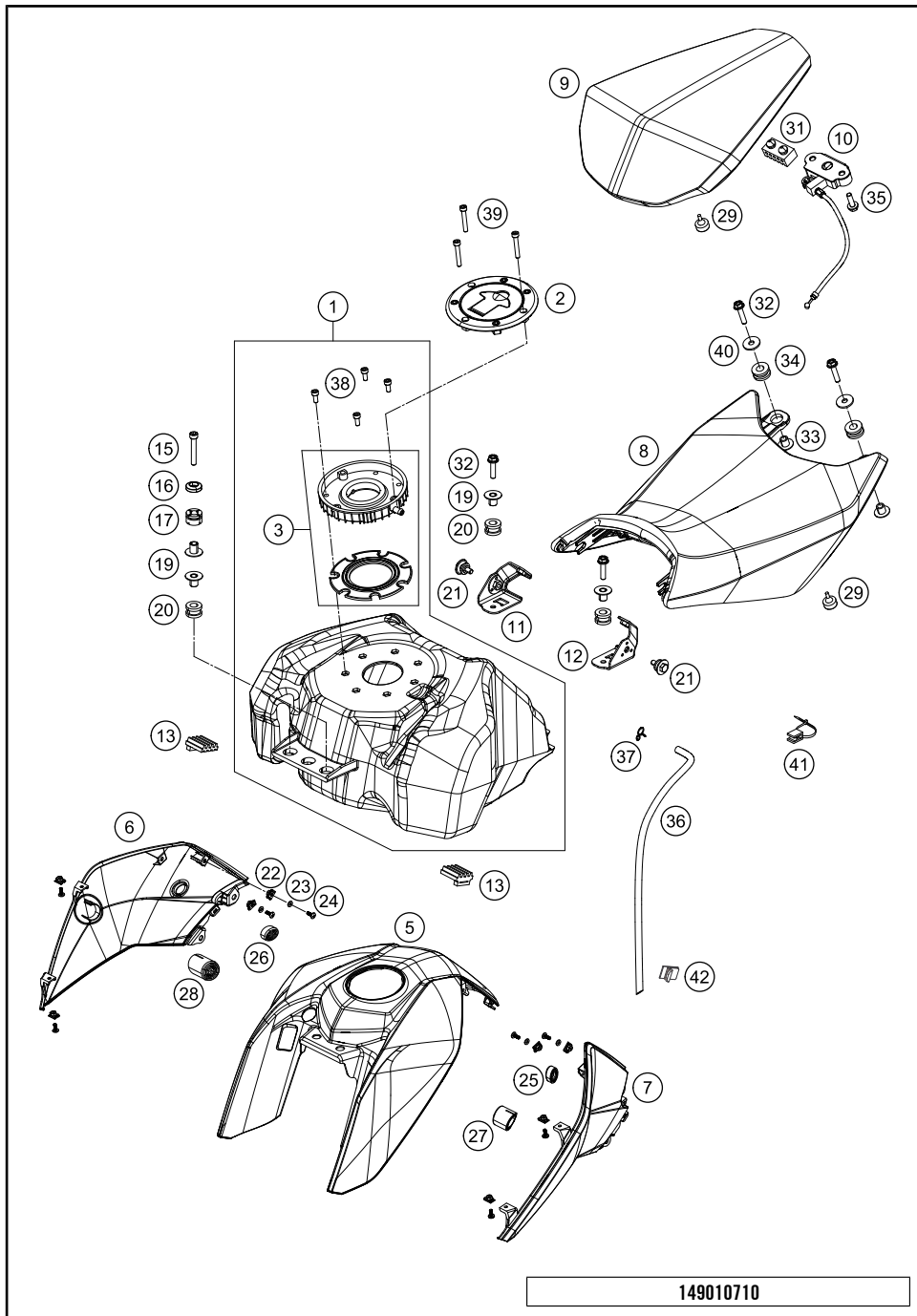
| POS | PARTNUMBER  | PARTNAME                  | PIECE |
|-----|-------------|---------------------------|-------|
| 1   | 90606001044 | FILTER BOX CPL.           | 1     |
| 2   | 90106002000 | AIRFILTER TOP PART CPL.   | 1     |
| 3   | 90106040000 | AIR INTAKE                | 1     |
| 5   | 90106015000 | AIRFILTER                 | 1     |
| 6   | 90130087000 | ENGINE BREATHER TUBE      | 1     |
| 7   | 90106000103 | DRAINAGE HOSE             | 1     |
| 8   | 90106000001 | PLUG DRAINAGE             | 1     |
| 9   | 90130087001 | HOSE CLAMP                | 2     |
| 10  | 90106000004 | HOSE CLAMP                | 2     |
| 11  | 90106027000 | HOSE CLAMP                | 1     |
| 12  | 90135001001 | RUBBER GROMMET            | 3     |
| 13  | J025060086  | HH COLLAR SCREW M6X8 SW10 | 3     |
| 15  | J025060123  | HH COLLAR SCREW M6X12 SW8 | 2     |

139060610

C129060610

\* NEW PART

X ON DEMAND



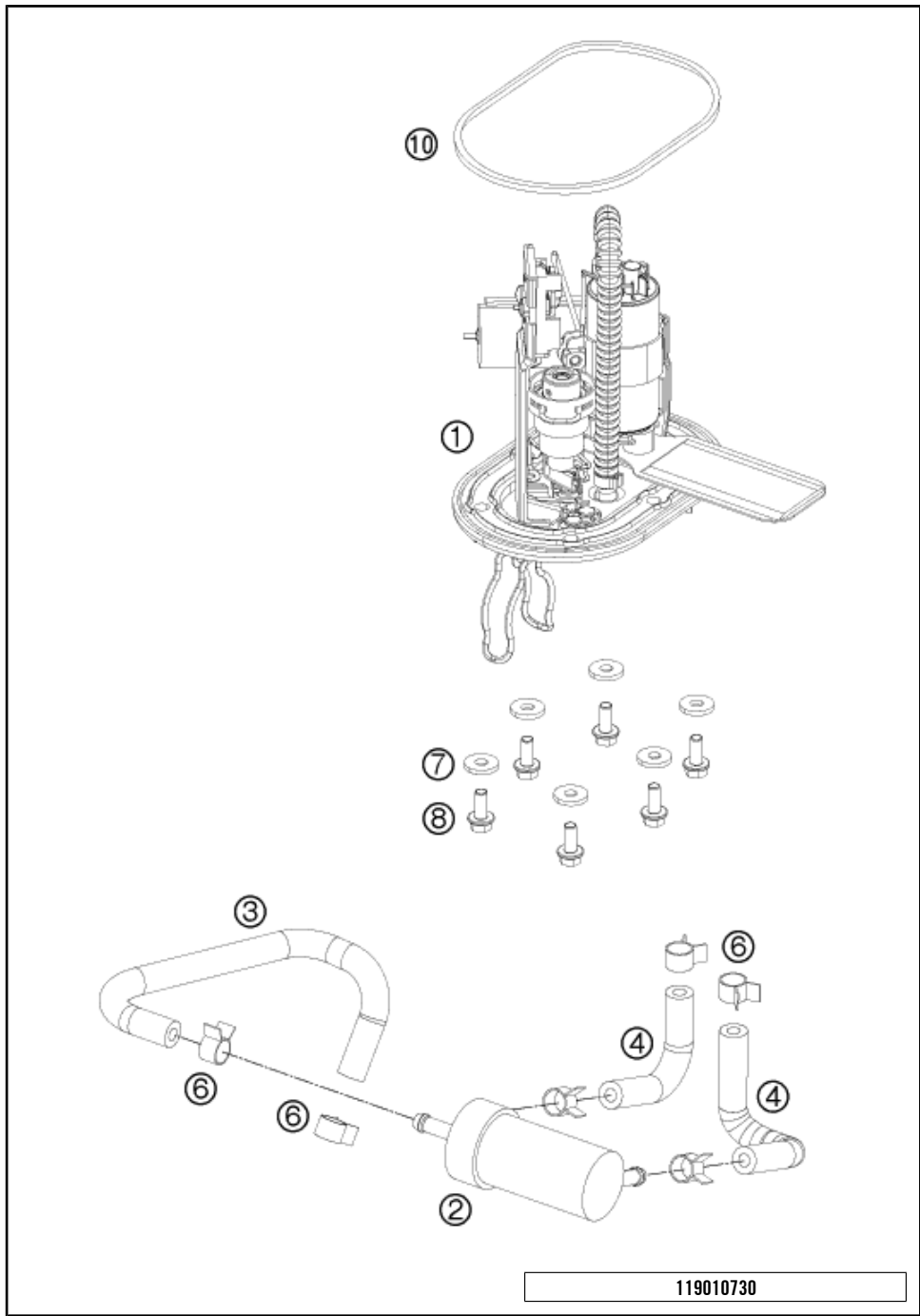
149010710

| POS | PARTNUMBER    | PARTNAME                      | PIECE |
|-----|---------------|-------------------------------|-------|
| 1   | 90607013144   | FUEL TANK CPL.                | 1     |
| 2   | 90607008000   | TANK CAP                      | 1     |
| 3   | 90107008144   | CUP CAP WITH GASKET           | 1     |
| 5   | 9010804900020 | COVER FUEL TANK TOP WHITE     | 1     |
| 6   | 9010805100047 | COVER FUEL TANK R/S BLACK MAT | 1     |
| 7   | 9010805000047 | COVER FUEL TANK L/S BLACK MAT | 1     |
| 8   | 90107040000   | SEAT                          | 1     |
| 9   | 90107047000   | PASSENGER SEAT                | 1     |
| 10  | 90107050000   | SEAT UNLOCK SOZIUS            | 1     |
| 11  | 90107040020   | MOUNTING BRACKET R/S -SEAT    | 1     |
| 12  | 90107040010   | MOUNTING BRACKET L/S -SEAT    | 1     |
| 13  | 90107013003   | TANK REST RUBBER              | 2     |
| 15  | 90107036000   | AH SCREW M6X40                | 2     |
| 16  | 90108045000   | SPECIAL WASHER F. M6 D=20MM   | 2     |
| 17  | 90107013004   | GROMMET TOP COVER             | 2     |
| 19  | 90107013005   | SLEEVE TANK MOUNTING          | 6     |
| 20  | 90107013006   | GROMMET TANK MOUNTING         | 4     |
| 21  | 90107040003   | SPECIAL SCREW                 | 2     |
| 22  | 90108050001   | CLIP NUT M5                   | 8     |
| 23  | J125050001    | SHIM PVC 5,3X11,5X1,5         | 4     |
| 24  | J031050153    | CHEESE-HEAD SCREW M5X15       | 8     |
| 25  | 90107070000   | TANK RUBBER PAD SMALL L/S     | 1     |
| 26  | 90107071000   | TANK RUBBER PAD SMALL R/S     | 1     |
| 27  | 90107072000   | TANK RUBBER PAD LARGE L/S     | 1     |
| 28  | 90107073000   | TANK RUBBER PAD LARGE R/S     | 1     |
| 29  | 90107046000   | SEAT RUBBER                   | 8     |
| 31  | 90107046050   | SEATRUBBER REAR               | 1     |
| 32  | 90107040004   | SPECIAL SCREW M6X25           | 4     |
| 33  | 90107040002   | COLLAR BUSHING SEAT BRACKET   | 2     |
| 34  | 90107040001   | RUBBER SLEEVE                 | 2     |
| 35  | J025060203    | HH COLLAR SCREW M6X20 SW10    | 2     |
| 36  | 90107013007   | TUBE DRAIN CUP CAP            | 1     |
| 37  | 90107013008   | CLAMP                         | 1     |
| 38  | J912050101    | AH SCREW M5X10 BLACK          | 4     |
| 39  | J912050283    | AH SCREW M5X28                | 3     |
| 40  | J126072220    | WASHER 7X22X2MM               | 2     |
| 41  | 90603096000   | CABLE TIE 190MM               | 1     |
| 42  | 90107029000   | BRACKET DRAIN TUBE CPL.       | 1     |

C149010711

\* NEW PART

X ON DEMAND



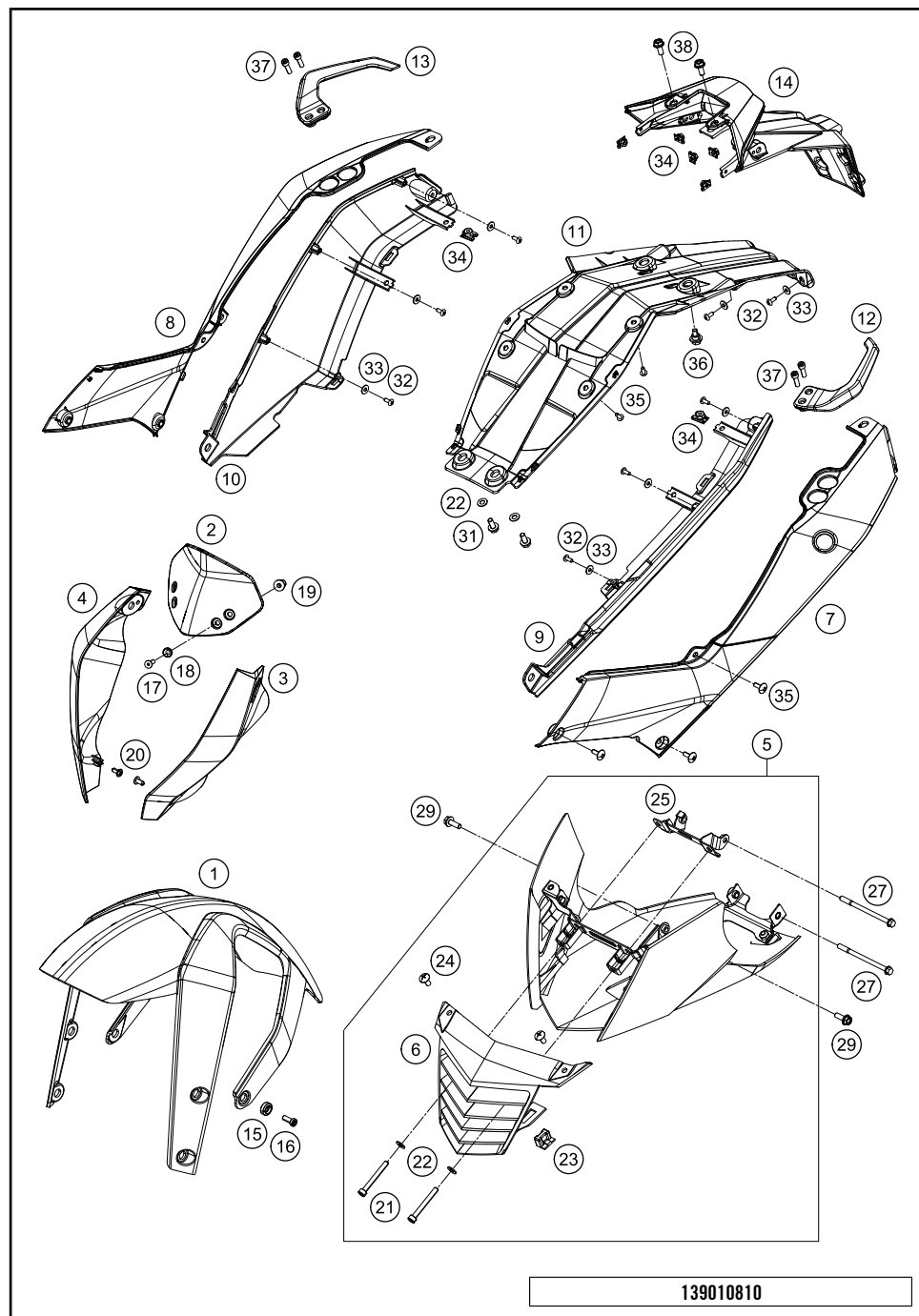
| POS | PARTNUMBER  | PARTNAME                  | PIECE |
|-----|-------------|---------------------------|-------|
| 1   | 90107088000 | FUEL PUMP                 | 1     |
| 2   | 90107018000 | FUEL FILTER               | 1     |
| 3   | 90107018010 | FUEL HOSE R9              | 1     |
| 4   | 90107018020 | FUEL HOSE                 | 2     |
| 6   | 90107018011 | CLAMP 10MM                | 6     |
| 7   | 90107088050 | WASHER 5,2X14X2MM         | 6     |
| 8   | J025050123  | HH COLLAR SCREW M5X12 SW8 | 6     |
| 10  | 90107088002 | GASKET F. FUEL PUMP       | 1     |

119010730

C119010730

\* NEW PART

X ON DEMAND



| POS | PARTNUMBER    | PARTNAME                         | PIECE |
|-----|---------------|----------------------------------|-------|
| 1   | 9010801000033 | FRONT FENDER BLACK               | 1     |
| 2   | 90108008000   | WIND SHIELD                      | 1     |
| 3   | 9010800200020 | MASK SPOILER L/S WHITE           | 1     |
| 4   | 9010800300020 | MASK SPOILER R/S WHITE           | 1     |
| 5   | 90108020144   | FRONTSPOILER LOWER PART CPL.     | 1     |
| 6   | 90108021000   | FRONT SPOILER TOP PART           | 1     |
| 7   | 9010804100047 | SIDE COVER L/S TOP WITHOUT DECAL | 1     |
| 8   | 9010804200047 | SIDE COVER R/S TOP WITHOUT DECAL | 1     |
| 9   | 90108043000   | SIDE COVER BOTTOM L/S            | 1     |
| 10  | 90108044000   | SIDE COVER BOTTOM R/S            | 1     |
| 11  | 90108015010   | REAR END LOWER PART              | 1     |
| 12  | 90112008033   | GRIP L/S CPL.                    | 1     |
| 13  | 90112009033   | GRIP R/S CPL.                    | 1     |
| 14  | 90108015000   | NUMBER PLATE SUPPORT             | 1     |
| 15  | 90108010050   | BUSHING FRONT FENDER             | 4     |
| 16  | J912060163    | AH SCREW M6X16                   | 4     |
| 17  | J019050201    | AH SCREW M5X20                   | 4     |
| 18  | 90108008050   | WASHER FOR WINDSHIELD            | 4     |
| 19  | 90108008060   | WELL NUT M5 L16                  | 4     |
| 20  | 0081050121    | SCREW FOR PLASTIC K50X12 T20     | 2     |
| 21  | J912060503    | AH SCREW M6X50                   | 2     |
| 22  | J125060003    | PLAIN WASHER 6,5X13X1            | 2     |
| 23  | 90108020001   | GROMMET BELLY PAN                | 2     |
| 24  | 90108020050   | SPECIAL SCREW BELLY PAN          | 2     |
| 25  | 90108025100   | BRACKET BELLY PAN CPL.           | 1     |
| 27  | J026060903    | HH COLLAR SCREW M6X90            | 2     |
| 29  | J025060183    | HH COLLAR SCREW M6X18 SW10       | 2     |
| 31  | J025060143    | HH COLLAR SCREW M6X14 SW8        | 2     |
| 32  | J081040121    | CROSS PAN SCREW 4X12 PH          | 10    |
| 33  | J021040003    | WASHER 4,5X12X1MM                | 10    |
| 34  | 90108050001   | CLIP NUT M5                      | 9     |
| 35  | J031050163    | CHEESE-HEAD SCREW M5X16          | 10    |
| 36  | 90108015050   | SPECIAL SCREW M6X12,5 WS8        | 2     |
| 37  | J020080274    | AH SCREW M8X27                   | 4     |
| 38  | J025060149    | HH COLLAR SCREW M6X14 WS10       | 2     |

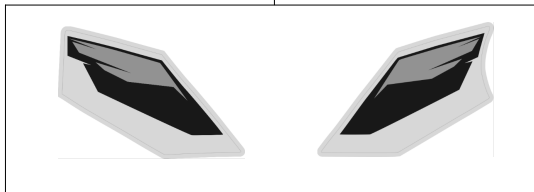
\* NEW PART X ON DEMAND

1



2

90608295100



139060831

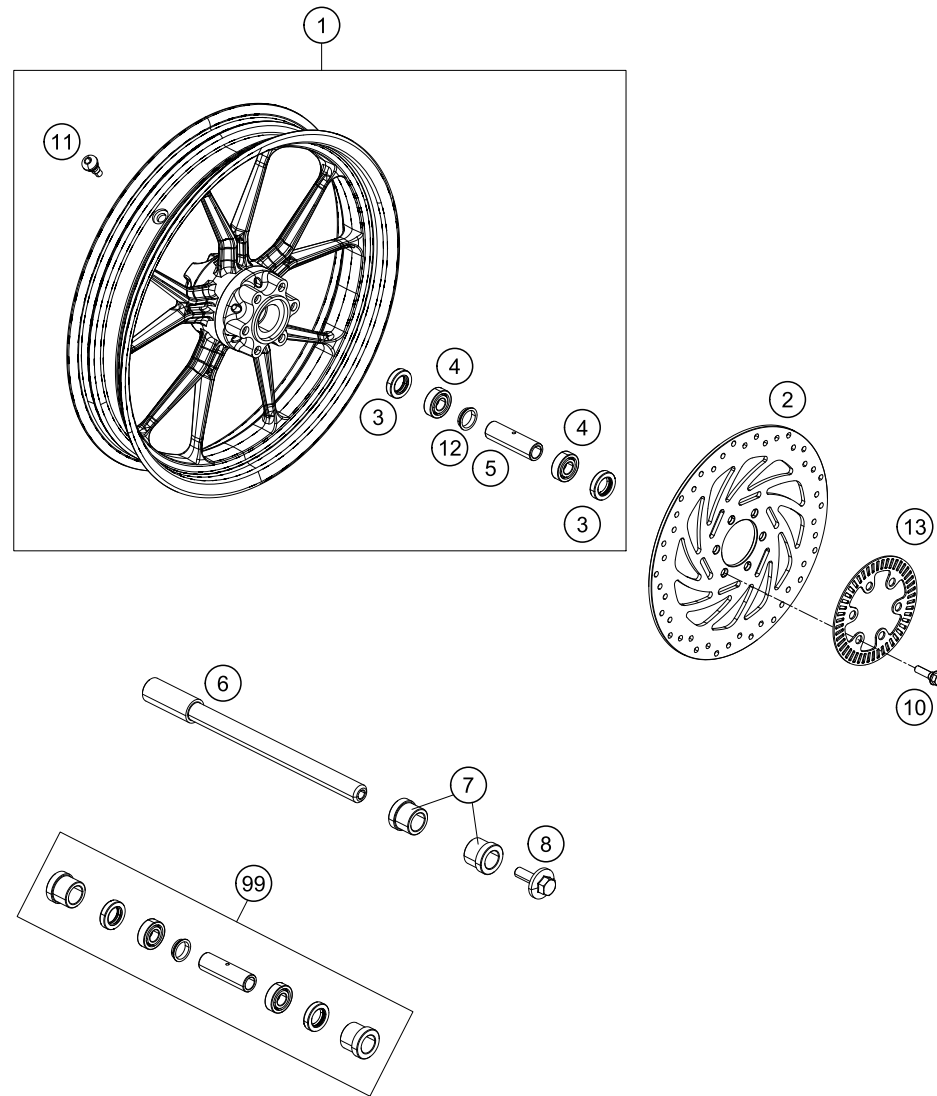
| POS | PARTNUMBER  | PARTNAME                      | PIECE |
|-----|-------------|-------------------------------|-------|
| 1   | 90608299100 | DECAL KIT 200 DUKE WHITE 2013 | 1     |

C139060831

\* NEW PART

X ON DEMAND





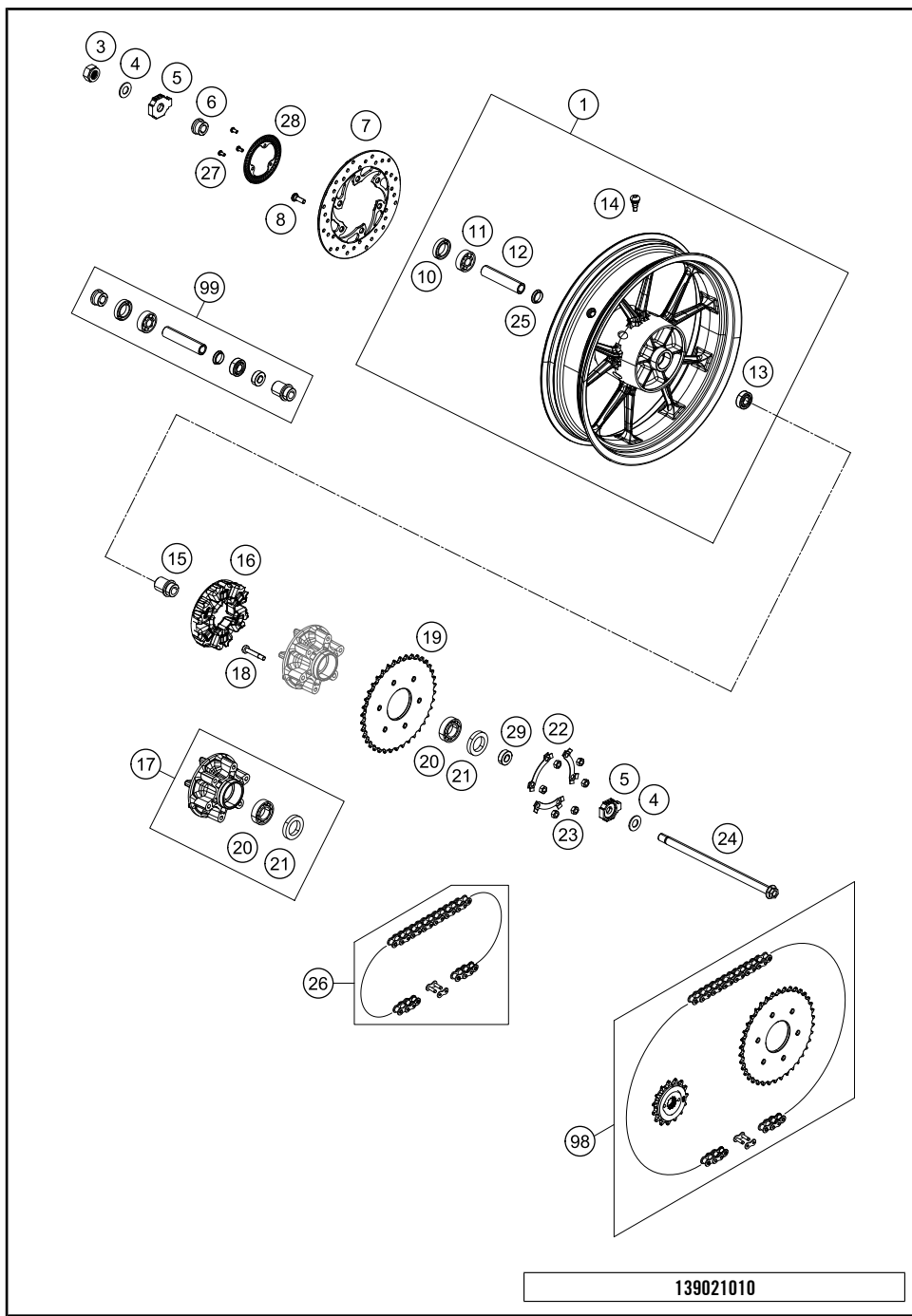
| POS | PARTNUMBER  | PARTNAME                       | PIECE |
|-----|-------------|--------------------------------|-------|
| 1   | 90109001044 | FRONT WHEEL CPL.               | 1     |
| 2   | 90109060100 | BRAKE DISC FRONT               | 1     |
| 3   | J760223508  | SHAFT SEAL RING 22X35X8        | 2     |
| 4   | J625062021  | BALL BEARING 6202              | 2     |
| 5   | 90109011000 | BEARING SPACER TUBE FRONT      | 1     |
| 6   | 90109081000 | AXLE FRONT D=15MM              | 1     |
| 7   | 90209083000 | BEARING BUSHING                | 2     |
| 8   | 90109082000 | AXLESCREW M8                   | 1     |
| 10  | 90109062000 | SPECIAL SCREW M8X30 SELF LOCK. | 6     |
| 11  | 90109076000 | VALVE CPL.                     | 1     |
| 12  | 90109011001 | SUPPORT                        | 1     |
| 13  | 90142020000 | SENSOR DISC FRONT              | 1     |
| 99  | 90109015100 | FRONT WHEEL REP. KIT           | x     |

139010910

C149010910

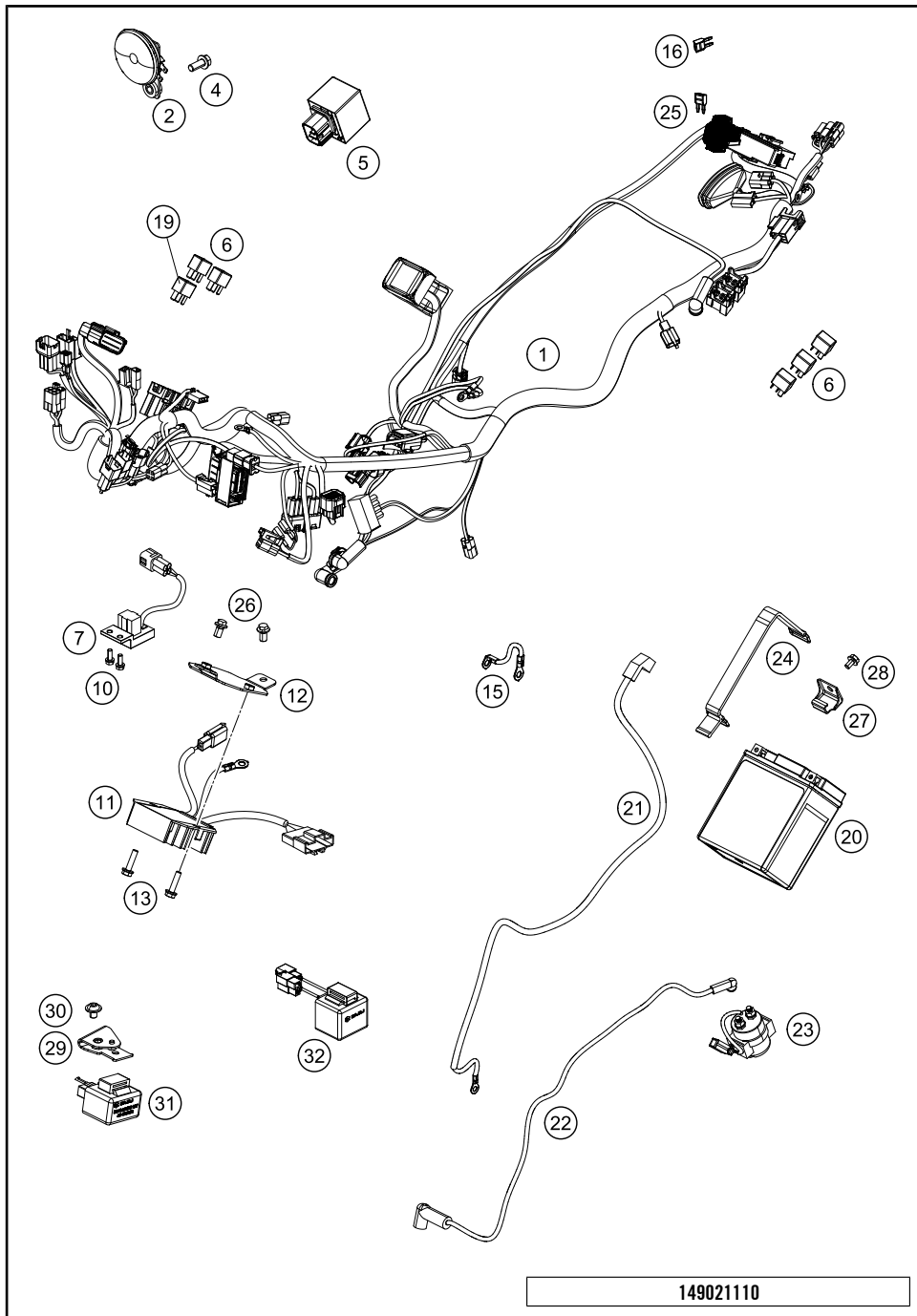
\* NEW PART

X ON DEMAND



| POS | PARTNUMBER    | PARTNAME                       | PIECE |
|-----|---------------|--------------------------------|-------|
| 1   | 9021000104430 | REAR WHEEL CPL. - BLACK        | 1     |
| 3   | 90210086000   | NUT REAR AXLE                  | 1     |
| 4   | 90610087000   | WASHER 15,2X30X3               | 2     |
| 5   | 90110084000   | CHAIN TENSIONER R/S            | 2     |
| 6   | 90110013000   | SPACER BUSHING REAR WHEEL R/S  | 1     |
| 7   | 90110060000   | WAVE BRAKE DISC REAR           | 1     |
| 8   | 90110062000   | SPECIAL SCREW M8X25 SELF LOCK. | 6     |
| 10  | J760264208    | SHAFT SEAL RING 26X42X8        | 1     |
| 11  | J625063020    | BALL BEARING 6302              | 1     |
| 12  | 90110011000   | BEARING SPACER TUBE REAR       | 1     |
| 13  | J625062021    | BALL BEARING 6202              | 1     |
| 14  | 90109076000   | VALVE CPL.                     | 1     |
| 15  | 90610054000   | SPACER BUSHING KRT INSIDE      | 1     |
| 16  | 90210059100   | DAMP RUBBER REAR WHEEL         | 1     |
| 17  | 90210050000   | SPROCKET SUPPORT               | 1     |
| 18  | 90810052000   | SPECIAL SCREW M8X48            | 6     |
| 19* | 90910051042   | SPROCKET 42T                   | 1     |
| 20  | J625062050    | BALL BEARING 6205              | 1     |
| 21  | J760295207    | SHAFT SEAL RING 29X52X7        | 1     |
| 22  | 90610053000   | LOCK WASHER SPROCKET           | 3     |
| 23  | J934080003    | HEX NUT M8 SW13                | 6     |
| 24  | 90210085000   | REAR AXLE                      | 1     |
| 25  | 90109011001   | SUPPORT                        | 1     |
| 26  | 78010167118   | CHAIN DID 118 ROLLS            | 1     |
| 27  | 90142021001   | SCREW FOR ABS                  | 3     |
| 28  | 90142021000   | SENSOR DISC REAR               | 1     |
| 29  | 90110053000   | SPACER CHAIN WHEEL SUPPORT     | 1     |
| 98  | 00050002018   | DRIVETRAIN KIT 200 DUKÉ14T/42T | x     |
| 99  | 90110015100   | REAR WHEEL REP. KIT 390 DUKE   | x     |

\* NEW PART X ON DEMAND



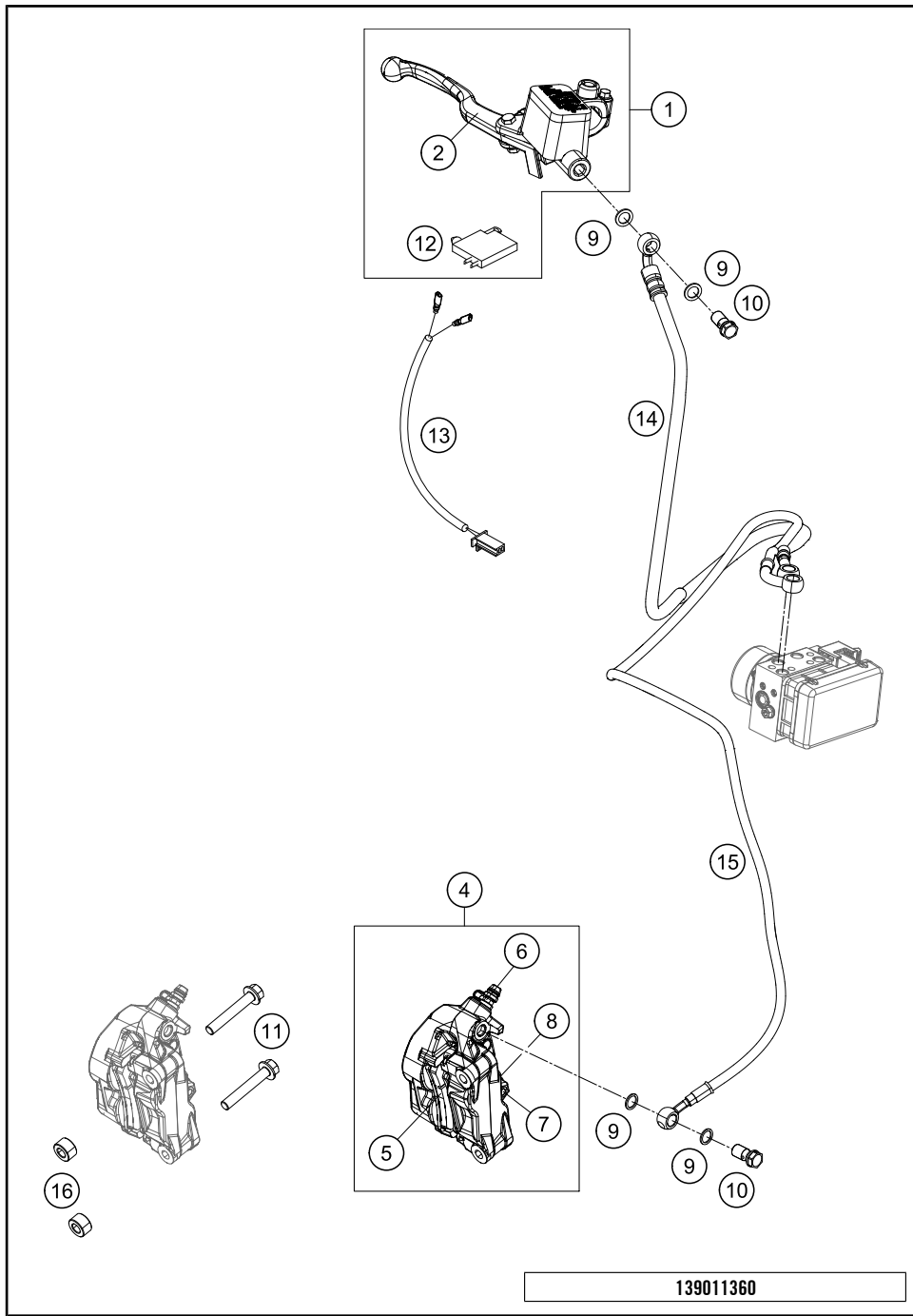
| POS | PARTNUMBER  | PARTNAME                    | PIECE |
|-----|-------------|-----------------------------|-------|
| 1   | 90111275100 | WIRING HARNESS              | 1     |
| 2   | 90111060100 | HORN 82 DIA                 | 1     |
| 4   | J025080123  | HH COLLAR SCREW M8X12 SW12  | 1     |
| 5   | 90539010000 | IGNITION UNIT               | 1     |
| 6   | 90611057000 | RELAY (INTERLOCK)           | 5     |
| 7   | 90141088000 | ROLL OVER SENSOR            | 1     |
| 10  | J011050133  | HH COLLAR SCREW M5X13 SW8   | 2     |
| 11  | 90111034000 | VOLTAGE REGULATOR           | 1     |
| 12  | 90111134010 | BRACKET REGULATOR MTG       | 1     |
| 13  | J025060253  | HH COLLAR SCREW M6X25 SW10  | 2     |
| 15  | 90211097000 | EARTH CABLE                 | 1     |
| 16  | 75011088010 | FUSE 10A 07                 | x     |
| 16  | 75011088015 | FUSE 15A 07                 | x     |
| 16  | 75011088020 | FUSE MINI 20A               | x     |
| 16  | 75011088030 | FUSE 30A                    | x     |
| 19  | 90611157000 | RELAY (AUX1DIODE)           | 1     |
| 20  | 90611053000 | BATTERIE 12V/8AH            | 1     |
| 21  | 90211197000 | EARTH CABLE                 | 1     |
| 22  | 90211059000 | CABLE RELAY TO MOTOR        | 1     |
| 23  | 90111058000 | STARTER RELAY               | 1     |
| 24  | 90111054000 | BRACKET RUBBER FOR BATTERY  | 1     |
| 26  | J025060109  | HH-COLLAR SCREW M6X10 SW8   | 2     |
| 27  | 90611054000 | BRACKET BATTERY MTG         | 1     |
| 28  | J025060103  | HH COLLAR SCREW M6X10 SW10  | 1     |
| 29  | 90103001051 | HOLDING PLATE FLASHER RELAY | 1     |
| 30  | 90508006004 | SOCKET HEAD BOLT M6X1X8     | 1     |
| 31  | 90511030000 | FLASHER RELAY               | 1     |
| 32  | 90511021000 | CONTROL UNIT HEAD LIGHT     | 1     |

149021110

C149021110

\* NEW PART

X ON DEMAND



| POS | PARTNUMBER  | PARTNAME                      | PIECE |
|-----|-------------|-------------------------------|-------|
| 1   | 90113001144 | MASTER CYLINDER CPL.          | 1     |
| 2   | 90113002000 | HAND BRAKE LEVER              | 1     |
| 4   | 90113015000 | BRAKE CALIPER RADIAL          | 1     |
| 5   | 90113030000 | BRAKE PADS FRONT - SET        | 1     |
| 6   | 90113021000 | BLEEDER SCREW                 | 1     |
| 7   | 90113017000 | BOLT F. BRAKE PADS            | 1     |
| 8   | 90113018000 | SPRING CLIP                   | 1     |
| 9   | 90113026000 | COPPER GASKET                 | 4     |
| 10  | 90113013000 | BANJO SCREW                   | 2     |
| 11  | J01008060S  | BOLT FLANGED M8X1X60          | 2     |
| 12  | 90111050000 | BRAKE LIGHT SWITCH FRONT      | 1     |
| 13  | 90111050050 | WIRE BRAKE LIGHT SWITCH FRONT | 1     |
| 14  | 90642002000 | BRAKE HOSE ABS/MASTER CYL. FR | 1     |
| 15  | 90642004000 | BRAKE HOSE FR ABS TO CALIPER  | 1     |
| 16  | 90613098150 | SPACER FRONT CALIPER          | 2     |

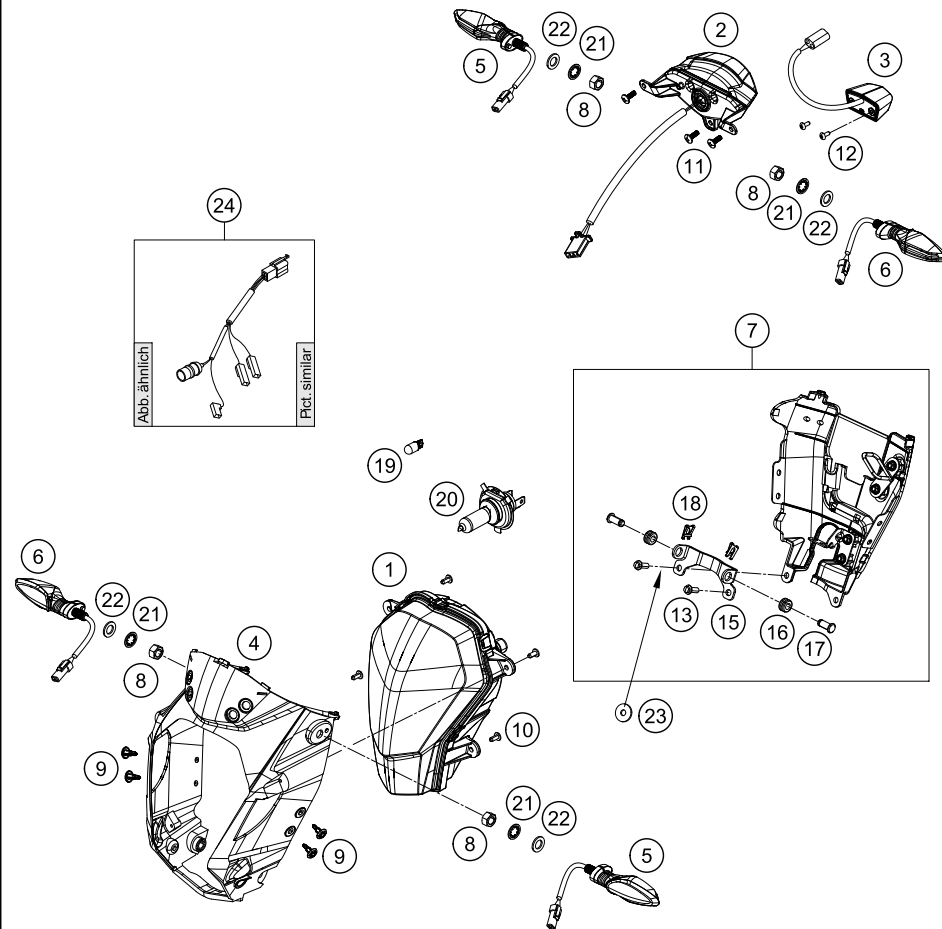
139011360

C149021360

\* NEW PART

X ON DEMAND





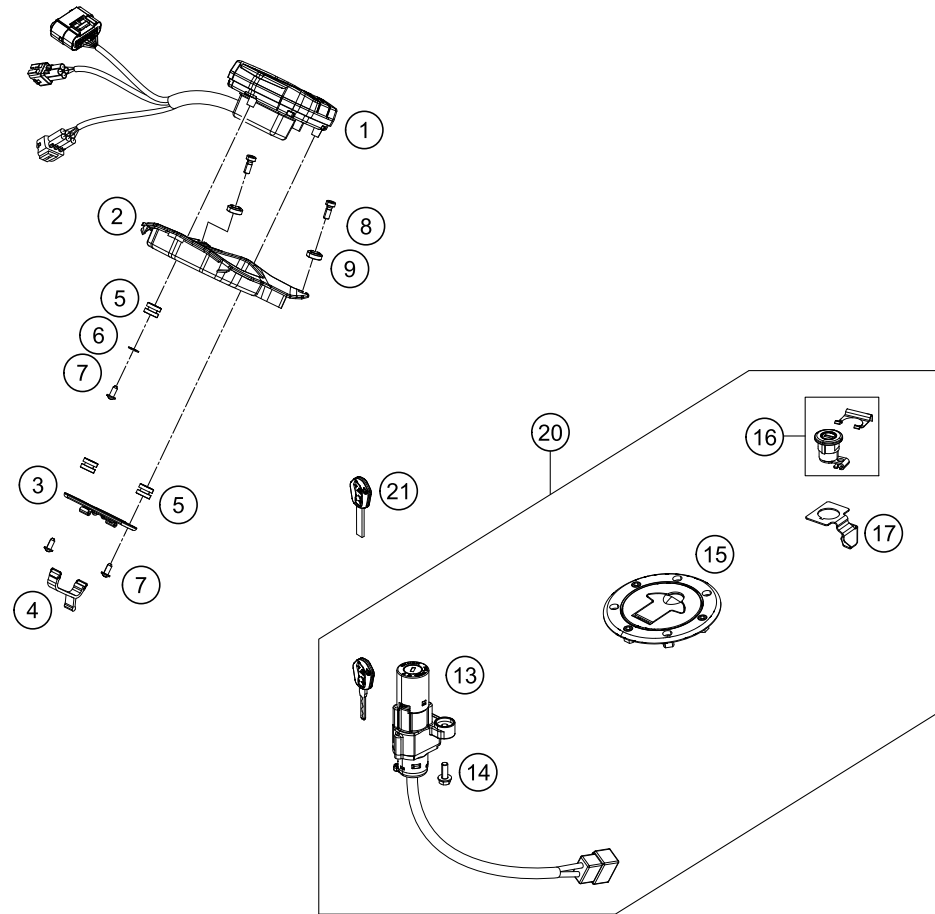
| POS | PARTNUMBER  | PARTNAME                       | PIECE |
|-----|-------------|--------------------------------|-------|
| 1   | 90114001100 | HEAD LIGHT CPL.                | 1     |
| 2   | 90114040000 | REAR LIGHT LED                 | 1     |
| 3   | 90114047000 | LICENSE PLATE ILLUMINATION     | 1     |
| 4   | 90114062000 | MASK BRACKET                   | 1     |
| 5   | 90114025000 | FLASHER CPL. RE. R/S           | 1     |
| 5   | 90114126000 | FLASHER CPL. FR. L/S           | 1     |
| 6   | 90114026000 | FLASHER CPL. RE. L/S           | 1     |
| 6   | 90114125000 | FLASHER CPL. FR. R/S           | 1     |
| 7   | 90114064044 | HEAD LIGHT COVER REAR CPL.     | 1     |
| 8   | 90114030000 | HEX NUT M10X1,25               | 4     |
| 9   | 76503075100 | EXPANDING RIVET CPL.           | 4     |
| 10  | 0081050121  | SCREW FOR PLASTIC K50X12 T20   | 4     |
| 11  | J031050153  | CHEESE-HEAD SCREW M5X15        | 3     |
| 12  | J081040121  | CROSS PAN SCREW 4X12 PH        | 2     |
| 13  | J025060163  | HH COLLAR SCREW M6X16 SW10     | 2     |
| 15  | 90114064010 | HINGE JOINT HEADL.-COVER       | 1     |
| 16  | 90114064011 | GROMMET MASK CARR. PIVOT BKT   | 2     |
| 17  | J070080150  | SAFETY BOLT 8X1,5              | 2     |
| 18  | 90114064012 | SEC. CLIP MASK CARR. PIVOT BKT | 2     |
| 19  | 49011435100 | BULB 12V 5W (W2,1X9,5D) PHIL.  | 1     |
| 20  | 57111038000 | BULB H4 12V 60/55W (P43T)      | 1     |
| 21  | J797100003  | TOOTHED WASHER M10             | 4     |
| 22  | J125100003  | WASHER PLAIN 10,5              | 4     |
| 23  | J126061252  | WASHER 6,5X2 MM                | 1     |
| 24  | 90111079000 | HARNESS F. HEADLAMP            | 1     |

139021410

C149021410

\* NEW PART

X ON DEMAND



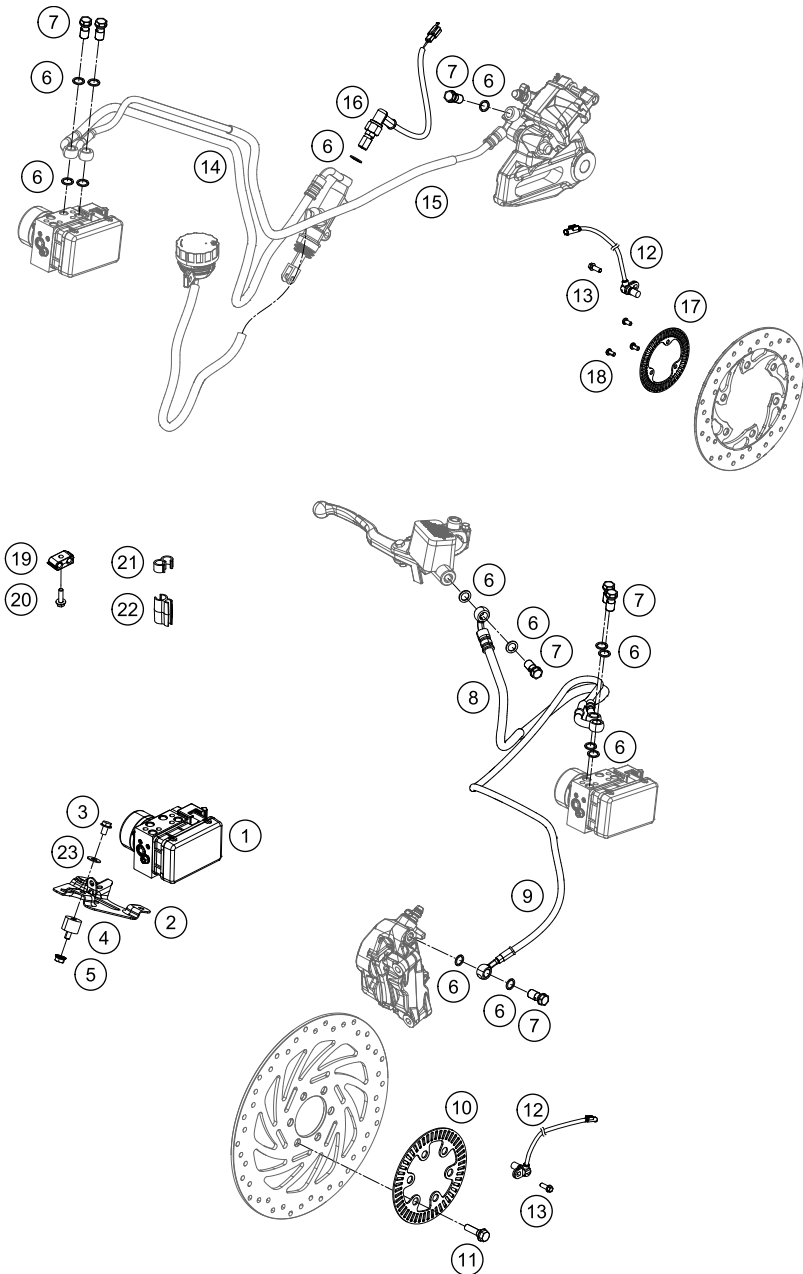
| POS | PARTNUMBER  | PARTNAME                       | PIECE |
|-----|-------------|--------------------------------|-------|
| 1   | 90114169100 | SPEEDOMETER CPL.               | 1     |
| 2   | 90114060000 | SPEEDOMETER SUPPORT            | 1     |
| 3   | 90114063000 | BRACKET F. SPEEDOM.CONN.       | 1     |
| 4   | 90114063050 | RUB. STRAP F. BKT SPEEDOM.CONN | 1     |
| 5   | 90114060050 | GROMMET DASHBOARD              | 3     |
| 6   | 90114064013 | PLAIN WASHER                   | 1     |
| 7   | 0081050121  | SCREW FOR PLASTIC K50X12 T20   | 3     |
| 8   | J021060156  | AH SCREW M6X15 10.9            | 2     |
| 9   | 90114060002 | SPECIAL WASHER                 | 2     |
| 13  | 90111066000 | IGNITION LOCK                  | 1     |
| 14  | J025060163  | HH COLLAR SCREW M6X16 SW10     | 2     |
| 15  | 90607008000 | TANK CAP                       | 1     |
| 16  | 90107050050 | SEAT LOCK                      | 1     |
| 17  | 90107050051 | BRACKET SEAT LOCK              | 1     |
| 20  | 90111066044 | LOCK SET 3-PART                | x     |
| 21  | 90111067100 | BLANK KEY 125/200 DUKE         | x     |

149021430

C149021430

\* NEW PART

X ON DEMAND



| POS | PARTNUMBER  | PARTNAME                       | PIECE |
|-----|-------------|--------------------------------|-------|
| 1   | 90642031000 | ABS-MODULE                     | 1     |
| 2   | 90642040000 | BRACKET ABS MOUNTING           | 1     |
| 3   | J026060083  | HH COLLAR SCREW M6X8 SW10      | 3     |
| 4   | 90135001001 | RUBBER GROMMET                 | 3     |
| 5   | J926060000  | FLANGED NUT M6 WS10 SELF LOCK. | 3     |
| 6   | 90113026000 | COPPER GASKET                  | 16    |
| 7   | 90113013000 | BANJO SCREW                    | 7     |
| 8   | 90642002000 | BRAKE HOSE ABS/MASTER CYL. FR  | 1     |
| 9   | 90642004000 | BRAKE HOSE FR ABS TO CALIPER   | 1     |
| 10  | 90142020000 | SENSOR DISC FRONT              | 1     |
| 11  | 90109062000 | SPECIAL SCREW M8X30 SELF LOCK. | 6     |
| 12  | 90142025000 | ABS-SENSOR                     | 2     |
| 13  | J028060166  | BOLT M6X16                     | 2     |
| 14  | 90642003000 | BRAKE HOSE ABS/MASTER CYL. RR  | 1     |
| 15  | 90642001000 | BRAKE HOSE RR ABS TO CALIPER   | 1     |
| 16  | 90111051000 | BRAKE LIGHT SWITCH REAR        | 1     |
| 17  | 90142021000 | SENSOR DISC REAR               | 1     |
| 18  | 90142021001 | SCREW FOR ABS                  | 3     |
| 19  | 90113024000 | CLAMP FOR ABS HOSE             | 1     |
| 20  | J025050183  | BOLT M5X18                     | 1     |
| 21  | 90113035000 | CLAMP SENSOR CABLE HOLDING     | 4     |
| 22  | 90113055100 | HOSE CLAMP                     | 2     |
| 23  | 90108015020 | WASHER                         | 3     |

139014210

C139014210

\* NEW PART

X ON DEMAND



A large, empty rectangular box with a thin black border, occupying the majority of the page. It is intended for handwritten notes.

A large, empty rectangular box with a thin black border, occupying the majority of the page. It is intended for the user to write their notes.



WWW.KTM.COM



KTM-Sportmotorcycle AG  
5230 Mattighofen, Austria  
[www.ktm.com](http://www.ktm.com)



**KTM**\_POWERPARTS

**KTM**\_POWERWEAR

**KTM**\_ORIGINAL SPARE PARTS



3CFF4103N5EN

Art. Nr.: 3CFF4103N5EN 16. Jun 2014