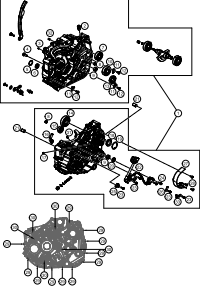
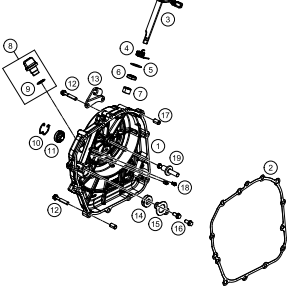
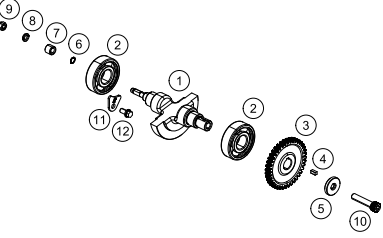
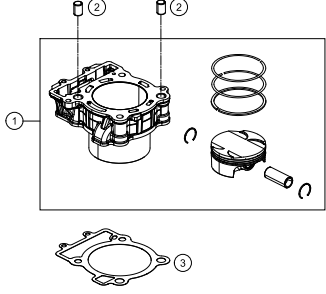
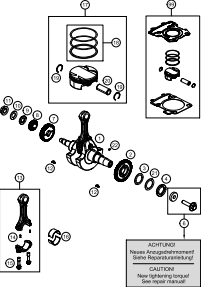
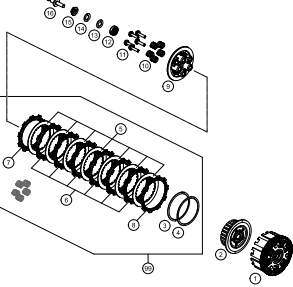
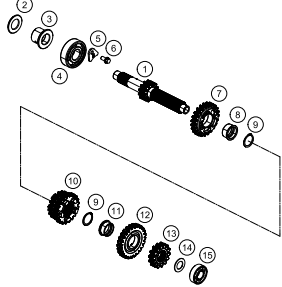
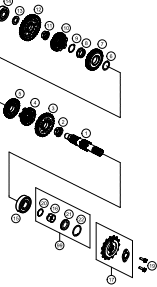
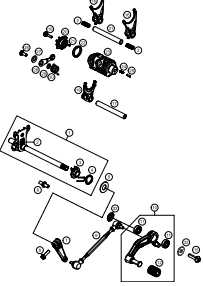
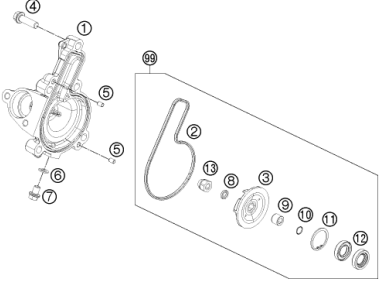
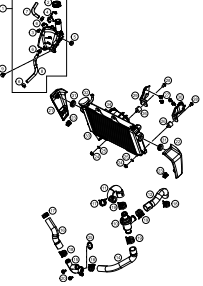
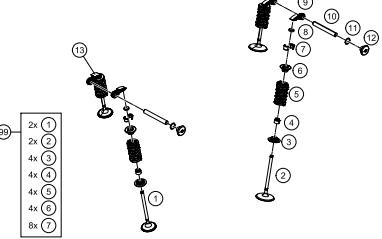


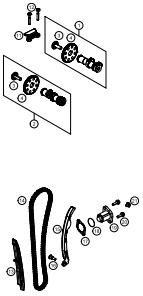
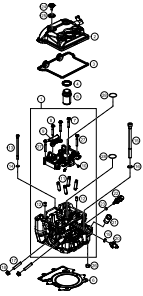
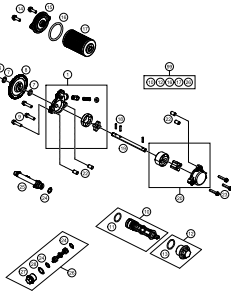
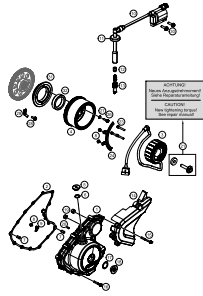
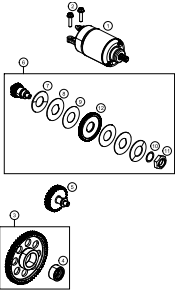
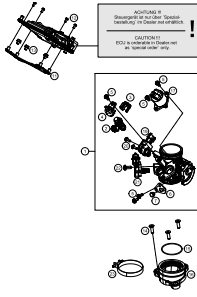

# 390 DUKE 2014

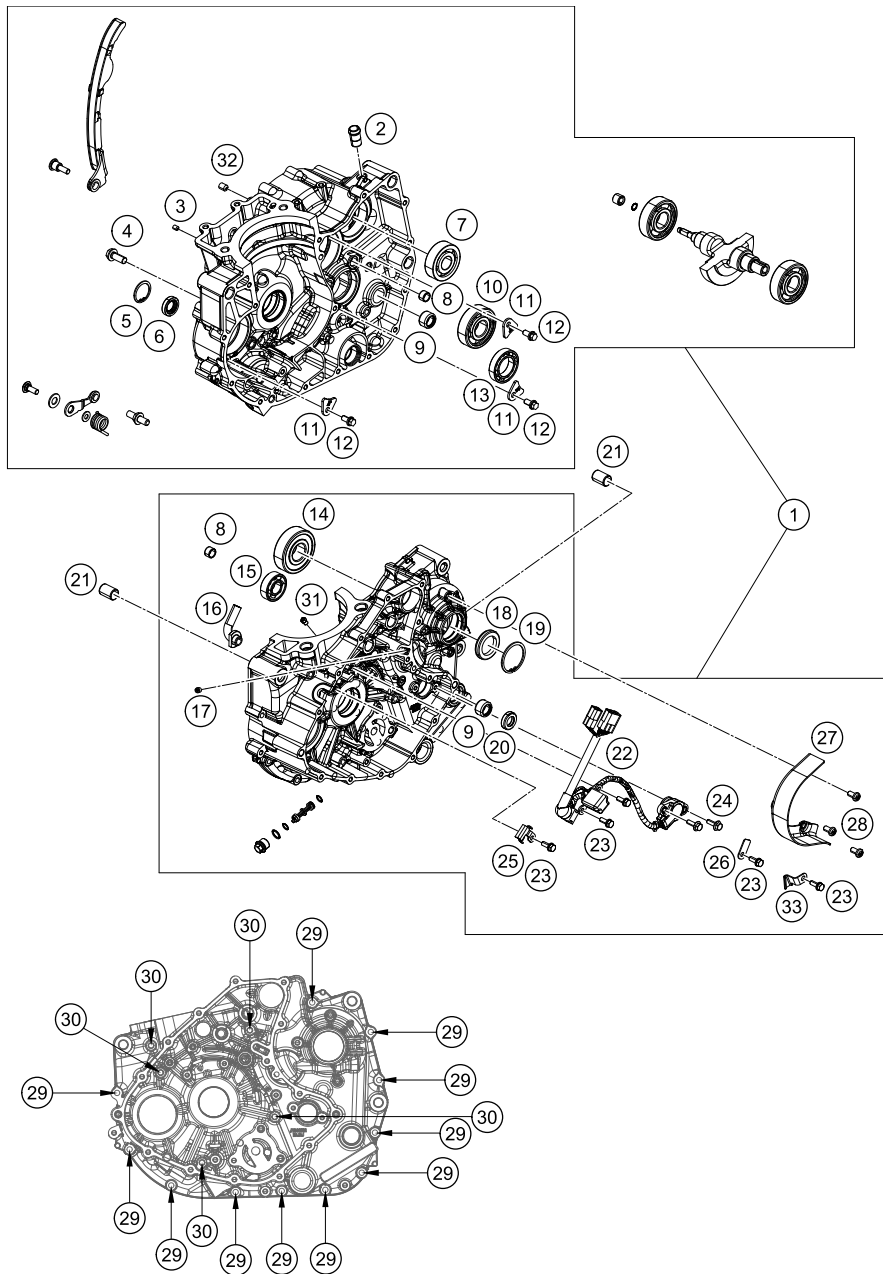
ART.-NR.: 3CM081270NEN





<p><b>ENGINE CASE</b></p>  <p style="text-align: right;"><b>3</b></p>	<p><b>CLUTCH COVER</b></p>  <p style="text-align: right;"><b>4</b></p>	<p><b>BALANCER SHAFT</b></p>  <p style="text-align: right;"><b>5</b></p>	<p><b>CYLINDER</b></p>  <p style="text-align: right;"><b>6</b></p>
<p><b>CRANKSHAFT, PISTON</b></p>  <p style="text-align: right;"><b>7</b></p>	<p><b>CLUTCH</b></p>  <p style="text-align: right;"><b>8</b></p>	<p><b>TRANSMISSION I - MAIN SHAFT</b></p>  <p style="text-align: right;"><b>9</b></p>	<p><b>TRANSMISSION II - COUNTERSHAFT</b></p>  <p style="text-align: right;"><b>10</b></p>
<p><b>SHIFTING MECHANISM</b></p>  <p style="text-align: right;"><b>11</b></p>	<p><b>WATER PUMP</b></p>  <p style="text-align: right;"><b>12</b></p>	<p><b>COOLING SYSTEM</b></p>  <p style="text-align: right;"><b>13</b></p>	<p><b>VALVE DRIVE</b></p>  <p style="text-align: right;"><b>14</b></p>

<p><b>TIMING DRIVE</b></p>  <p><b>16</b></p>	<p><b>CYLINDER HEAD</b></p>  <p><b>17</b></p>	<p><b>LUBRICATING SYSTEM</b></p>  <p><b>18</b></p>	<p><b>IGNITION SYSTEM</b></p>  <p><b>19</b></p>
<p><b>ELECTRIC STARTER</b></p>  <p><b>20</b></p>	<p><b>THROTTLE BODY</b></p>  <p><b>21</b></p>		
		 <p>All information contained is without obligation. KTM Sportmotorcycle GmbH particularly reserves the right to modify any equipment, technical specifications, prices, colors, shapes, materials, services, service work, constructions, equipment and the like so as to adapt them to local conditions or to cancel any of the above items, all without previous announcement and without giving reasons. KTM may stop manufacturing certain models without previous notice. KTM shall not be held liable for any deviations of availability and/or ability to deliver, illustrations, descriptions, printing and/or other errors. The illustrated models partly contain extra equipment, which is not applied to standard models.</p> <p>© by KTM Sportmotorcycle GmbH, Mattighofen AUSTRIA; All rights reserved; Reprint, also in extracts, with written allowance of KTM Sportmotorcycle GmbH, Mattighofen only.</p>	



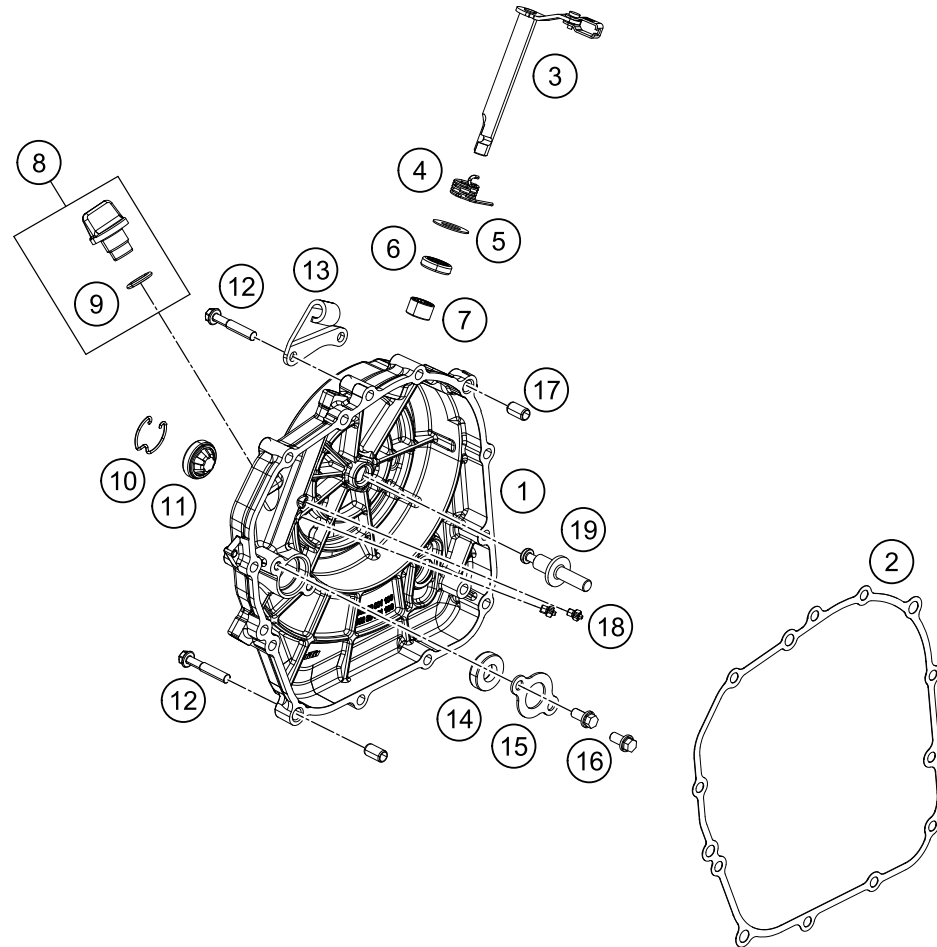
139023010

POS	PARTNUMBER	PARTNAME	PIECE
1	9023000044	ENGINE CASE CPL.	1
2	90130022000	VENTILATION CONNECTOR	1
3	90238029005	JET EVAC	1
4	J011080203S	FLANGED BOLT M8X20	1
5	J472025120	CIRCLIP 25X1,2	1
6	J760122455	SHAFT SEALING RING 12X24X5,5	1
7	90233010001	DEEP GROOVE BALL BEARING	1
8	90234030000	BUSH SHIFT RAIL	2
9	J618131912	NEEDLE ROLLER BEARING HK1312	2
10	J625063040	DEEP GROOVE BALL BEARING 6304	1
11	90230079000	STOPPER BALANCER SHAFT BEARING	3
12	90130078001	FLANGED BOLT 6X12	3
13	90130004004	BALL BEARING 25X42X9	1
14	J625063220	DEEP GROOVE BALL BEARING 63/22	1
15	J625062022	BALL BEARING 6202	1
16	90238014000	OIL PIPE	1
17	90230066100	OIL NOZZLE	1
18	90230077000	OIL SEAL OUTPUT SHAFT	1
19	J472037150	CIRCLIP 37X1,5	1
20	90130003004	SEAL RING 13X22X5,5	1
21	90130003007	DOWEL D14	2
22	90211023000	GEAR-POS.SENSOR INC.PULS. COIL	1
23	J011050133	HH COLLAR SCREW M5X13 SW8	5
24	J025050163S	% FLANGED BOLT M5X16	2
25	90230060000	BRACKET	1
26	90230042000	BRACKET	2
27	90230047000	CHAIN GUARD	1
28	J005060123	FLAT HEAD SCREW M6X12 PH	3
29	J025060350	FLANGED BOLT M6X35 WS8	11
30	J028060753S	FLANGED BOLT M6X75	5
31	90230066000	OIL NOZZLE	1
32	90238029002	OIL NOZZLE	1
33	90230142000	BRACKET GEAR-POSITION SENSOR	1

C139023010

\* NEW PART

X ON DEMAND



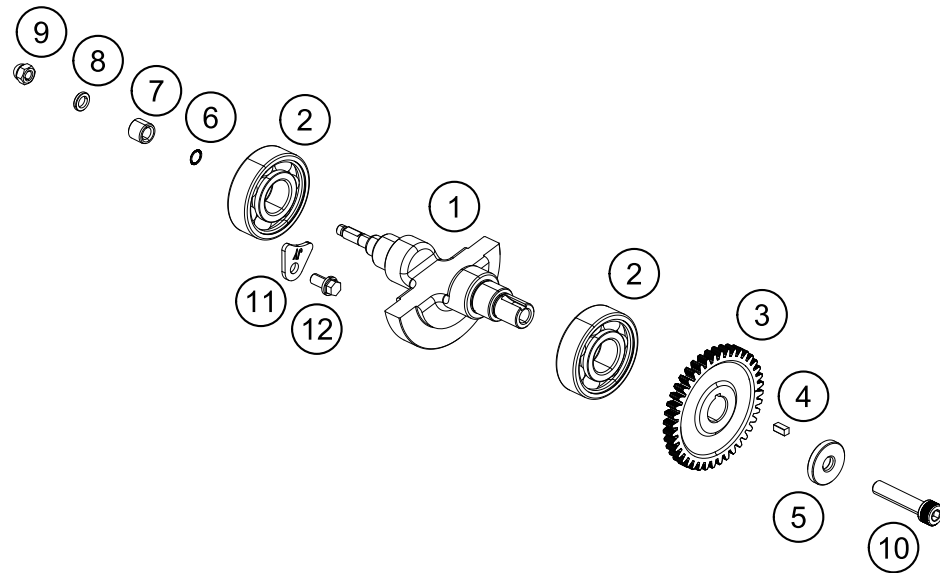
POS	PARTNUMBER	PARTNAME	PIECE
1	90230001144	CLUTCH COVER WITH PLUG	1
2	90230027000	GASKET CLUTCH COVER	1
3	90232048033	CLUTCH RELEASE LEVER CPL.	1
4	90232048003	SPRING F. RELEASE LEVER	1
5	90132048005	WASHER 12,5X24X0,8MM	1
6	90132051000	OIL SEAL RING	1
7	90132050000	NEEDLE BEARING	1
8	90130020000	OIL PLUG CPL.	1
9	J770013824	O-RING 13,8X2,4	1
10	90630095000	% WIRE CIRCLIP 28X1,5	1
11	90130095100	OIL GAUGE GLASS	1
12	J025060350	FLANGED BOLT M6X35 WS8	12
13	90230059000	BRACKET CLUTCH CABLE	1
14	90134127000	OIL SEAL RING	1
15	90230060001	STOPPER SHAFT SEAL RING	1
16	90130078001	FLANGED BOLT 6X12	2
17	90130024000	PIN DOWEL 8X6,4X14MM	2
18	90130064000	OIL JET	2
19	90232048004	PULL ROD	1

149023020

C149023020

\* NEW PART

X ON DEMAND



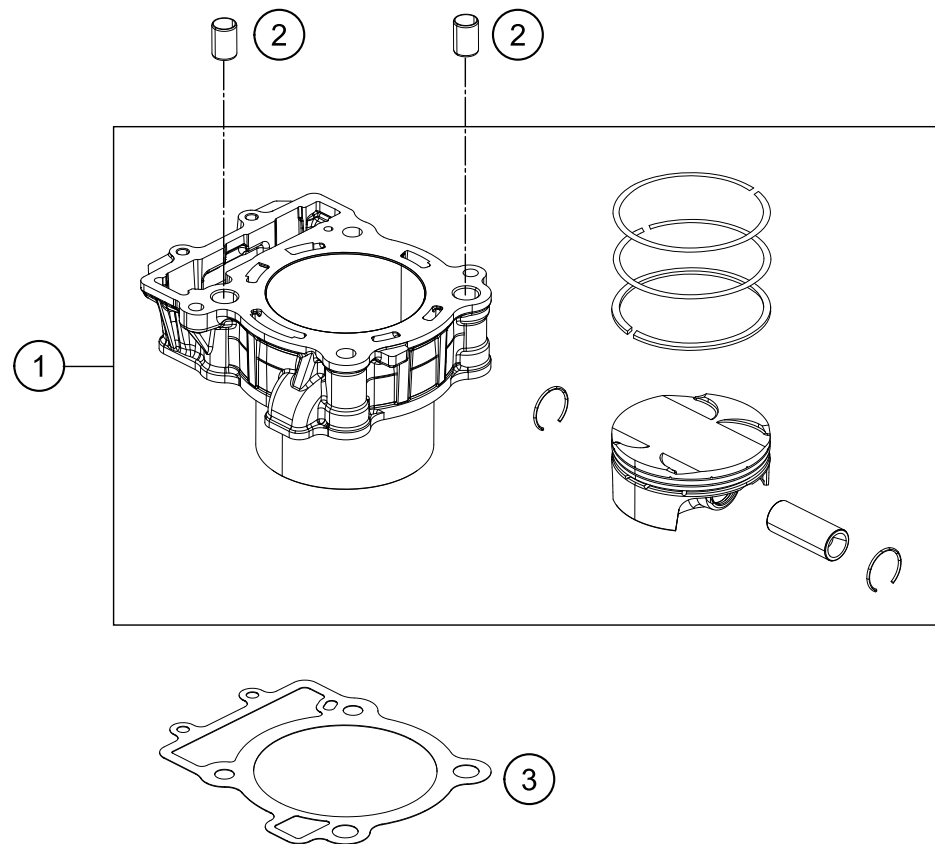
POS	PARTNUMBER	PARTNAME	PIECE
1	90230057001	BALANCER SHAFT	1
2	J625063041	DEEP GR. BALL BEAR.6304 HN3 C3	2
3	90130055000	DRIVE WHEEL BALANCER SHAFT	1
4	90130055001	CLUTCH HUB DRIVE WHEEL BAL.SHA	1
5	90130057050	WASHER 8,2X26X4,5 "0"	1
6	J770875008	O-RING 8,75X0,8	1
7	90130055204	SLEEVE BALANCER DRIVEN	1
8	90130055006	SPACER SHIM	1
9	90135058000	DOME NUT WAPU-WHEEL	1
10	90130055003	SPECIAL SCREW BALANCER SHAFT	1
11	90230079000	STOPPER BALANCER SHAFT BEARING	1
12	90130078001	FLANGED BOLT 6X12	1

139023030

C139023030

\* NEW PART

X ON DEMAND



POS	PARTNUMBER	PARTNAME	PIECE
1	90230038000	% CYLINDER + PISTON CPL.	1
2	90130003007	DOWEL D14	2
3	90230035000	GASKET CYLINDER BLOCK	1

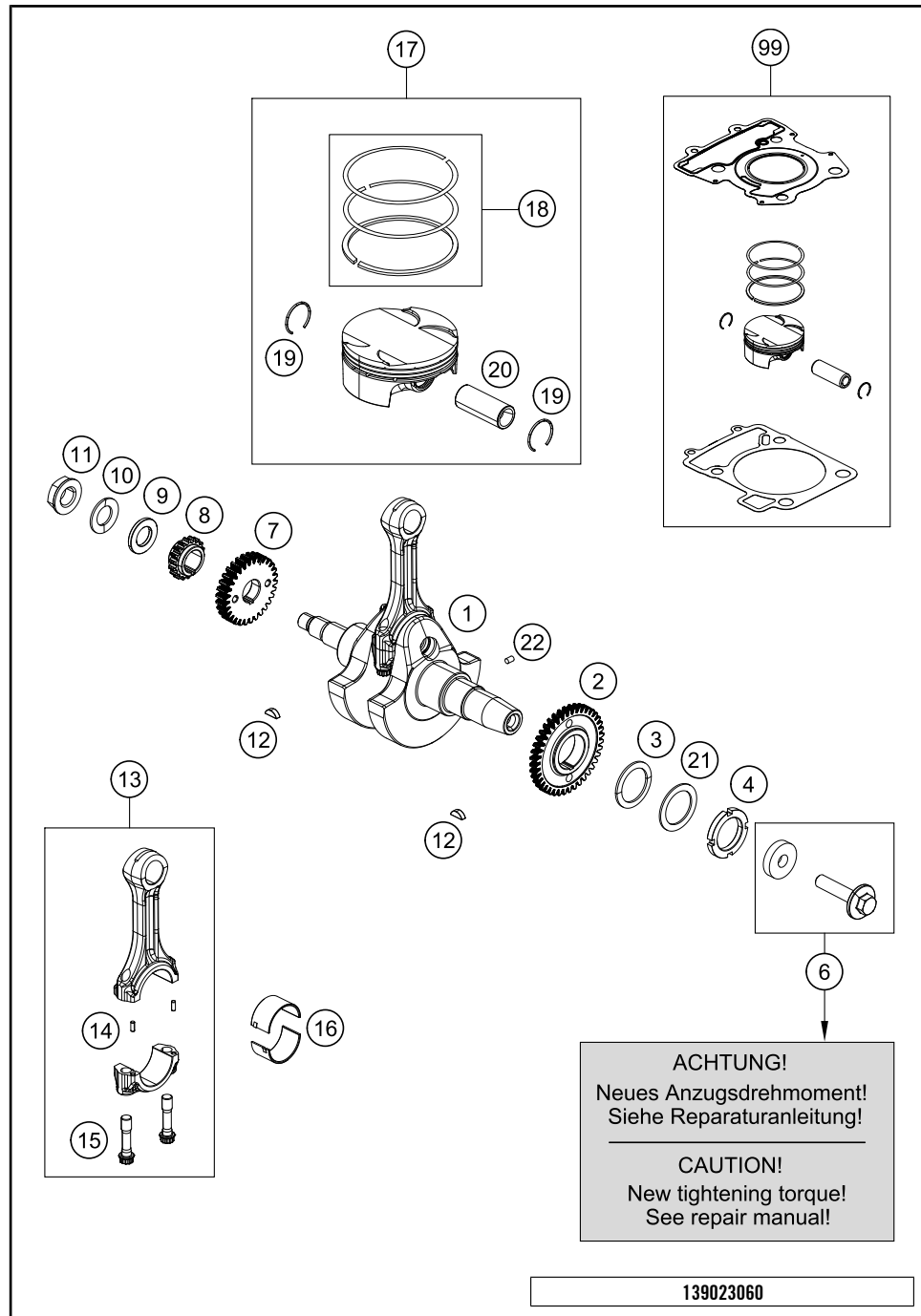
139023040

C139023040

\* NEW PART

X ON DEMAND





POS	PARTNUMBER	PARTNAME	PIECE
1	90230018100	CRANKSHAFT CPL.	1
2	90230055000	GEAR BALANCER DRIVE	1
3	90230069000	CONICAL WASHER 28,35X38X1,75	1
4	90130018008	NUT FOR DRIVE WHEEL AGW	1
6	90239005050	ROTOR SCREW CPL.	1
7	90232023030	PRIMARY GEAR 30T	1
8	90236014000	SPROCKET CRANKSHAFT	1
9	90236015000	WASHER PLAIN	1
10	90236015001	SPECIAL WASHER	1
11	90230029000	NUT M16X1,5	1
12	J888040050	WOODRUFF KEY 4X5X13	2
13	90230015000	CON ROD CPL.	1
14	90630015002	PARALLEL PIN	2
15	90230015013	CON ROD SCREW	2
16	90230015010	CONROD BEARING SHELL	1
16	90230015011	CONROD BEARING SHELL (GREEN)	x
16	90230015012	CONROD BEARING SHELL (BLUE)	x
17	90230007000	PISTON CPL.	1
18	90230030010	PISTON RINGS CPL.	1
19	90230074000	RING SNAP	2
20	90230033000	PISTON PIN	1
21	90230068000	PLAIN WASHER 28,2X39X1,5	1
22	90134013000	PARALLEL PIN	1
99	90230007010	PISTON KIT 390 DUKE 2013	1

**ACHTUNG!**  
 Neues Anzugsdrehmoment!  
 Siehe Reparaturanleitung!

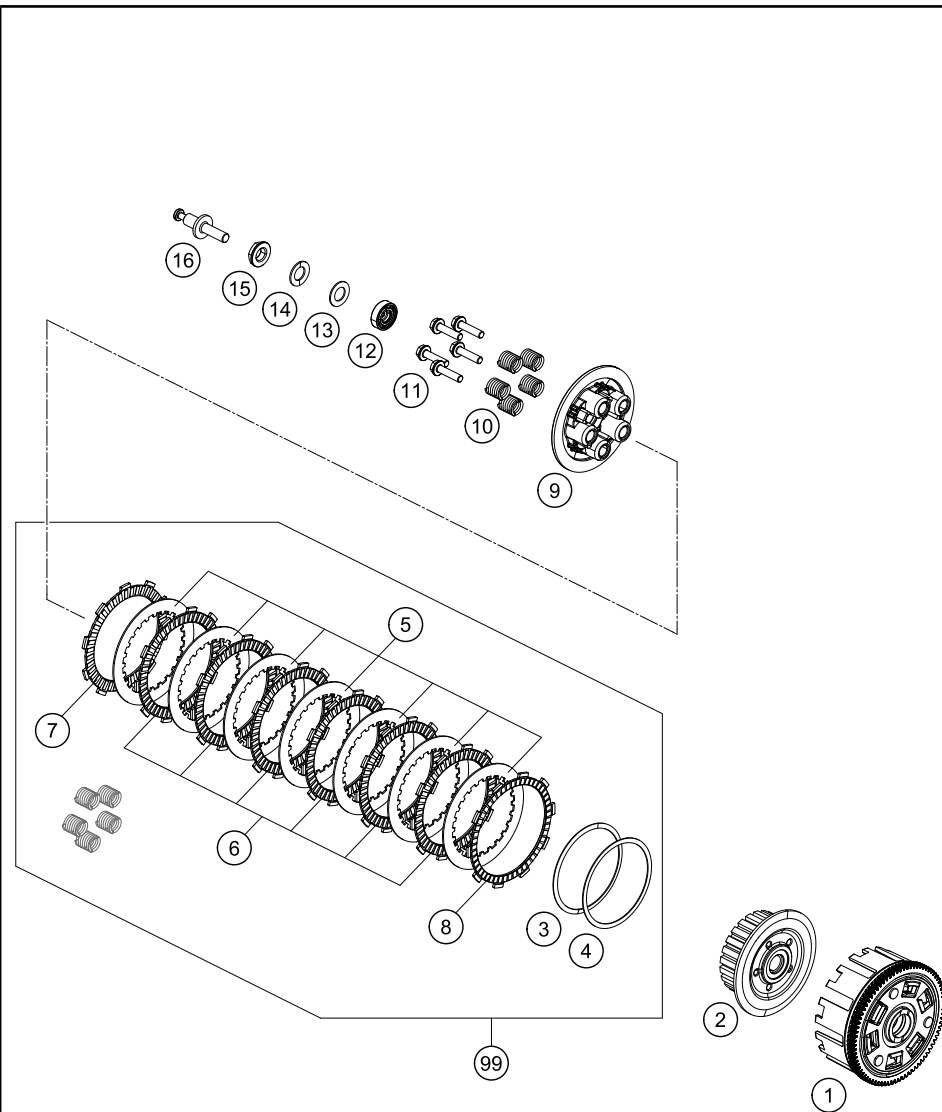
---

**CAUTION!**  
 New tightening torque!  
 See repair manual!

139023060

C149023060

\* NEW PART                      X ON DEMAND



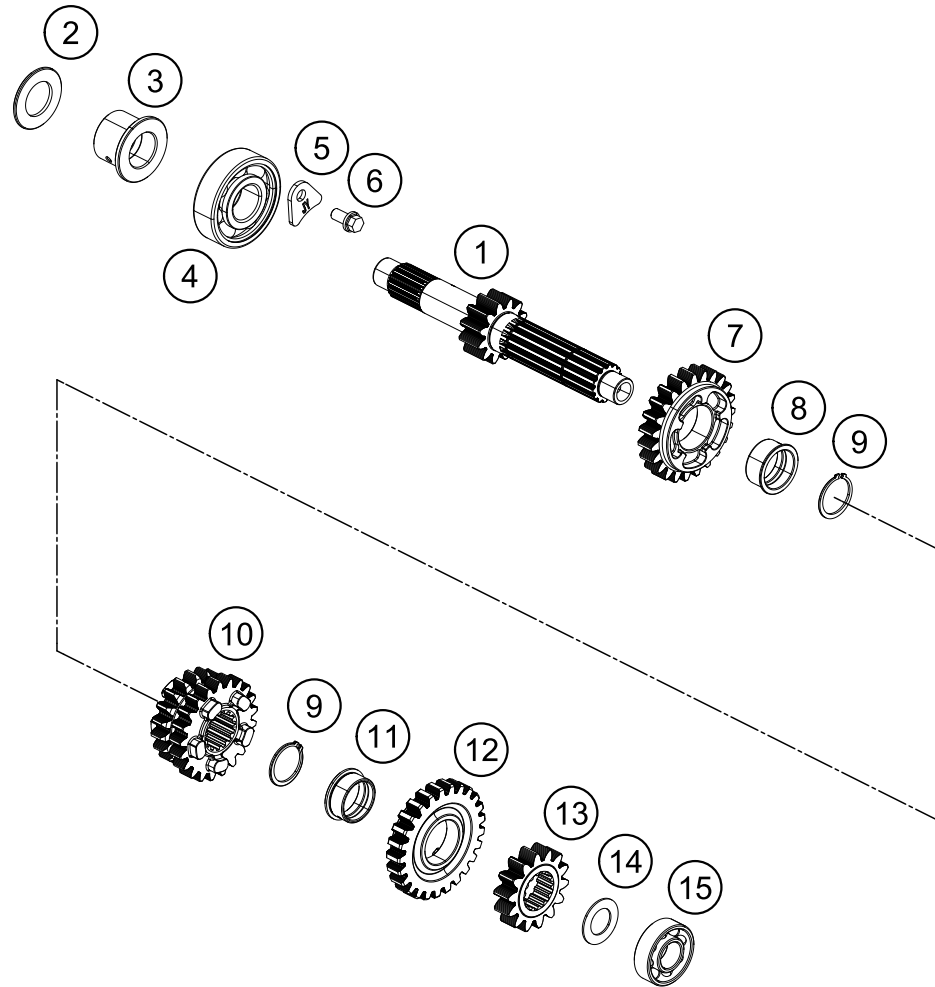
POS	PARTNUMBER	PARTNAME	PIECE
1	90232001044	CLUTCH CAGE CPL.	1
2	90232002000	INNER CLUTCH HUB	1
3	90232034000	BELLEVILLE SPRING	1
4	90232035000	SUPPORT RING	1
5	90232010000	INTERMEDI. DISC	7
6	90232011000	LINING DISC	6
7	90232111000	LINING DISK INSIDE	1
8	90232211000	LINING DISC TURNED OFF	1
9	90232003000	PRESSURE PLATE	1
10	90232005000	CLUTCH SPRING	5
11	90232001001	HH COLLAR SCREW M6X25	5
12	90232095000	BALL BEARING 15X32X9	1
13	90232017000	SHIM	1
14	90236015001	SPECIAL WASHER	1
15	90232019000	NUT F. CLUTCH	1
16	90232048004	PULL ROD	1
99	90232011010	CLUTCH KIT 390 DUKE	x

139023210

C139023210

\* NEW PART

X ON DEMAND



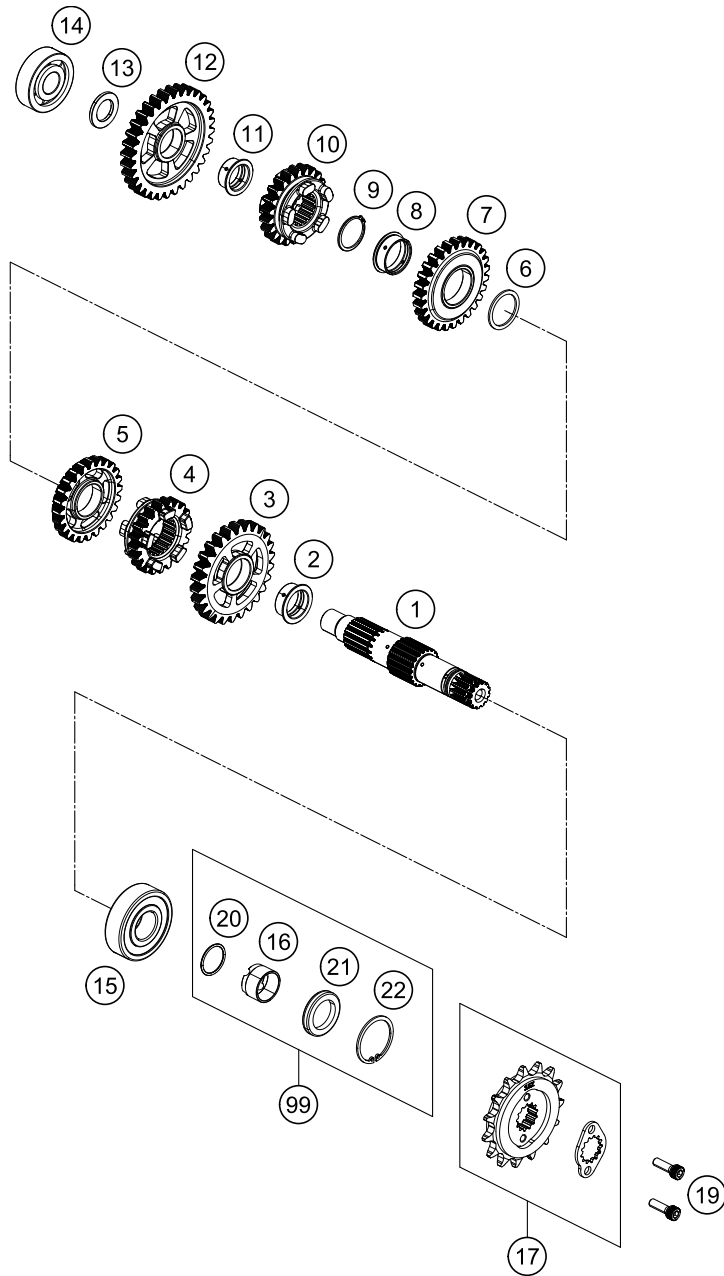
POS	PARTNUMBER	PARTNAME	PIECE
1	90233001000	MAIN SHAFT	1
2	90232020000	WASHER	1
3	90232016000	COLLAR BUSH	1
4	J625063040	DEEP GROOVE BALL BEARING 6304	1
5	90230079000	STOPPER BALANCER SHAFT BEARING	1
6	90130078001	FLANGED BOLT 6X12	1
7	90233005000	GEAR 5TH DRIVE	1
8	90233005001	COLLAR BUSH	1
9	J471020123	CIRCLIP 20,5X1,2	2
10	90233003000	GEAR 3RD/4TH DRIVE	1
11	90233006001	COLLAR BUSH	1
12	90233006000	GEAR 6TH DRIVE	1
13	90233002000	GEAR 2ND DRIVE	1
14	90233036000	WASHER TRUST 2ND DRIVE	1
15	90233001001	BALL BEARING	1

139023330

C139023330

\* NEW PART

X ON DEMAND



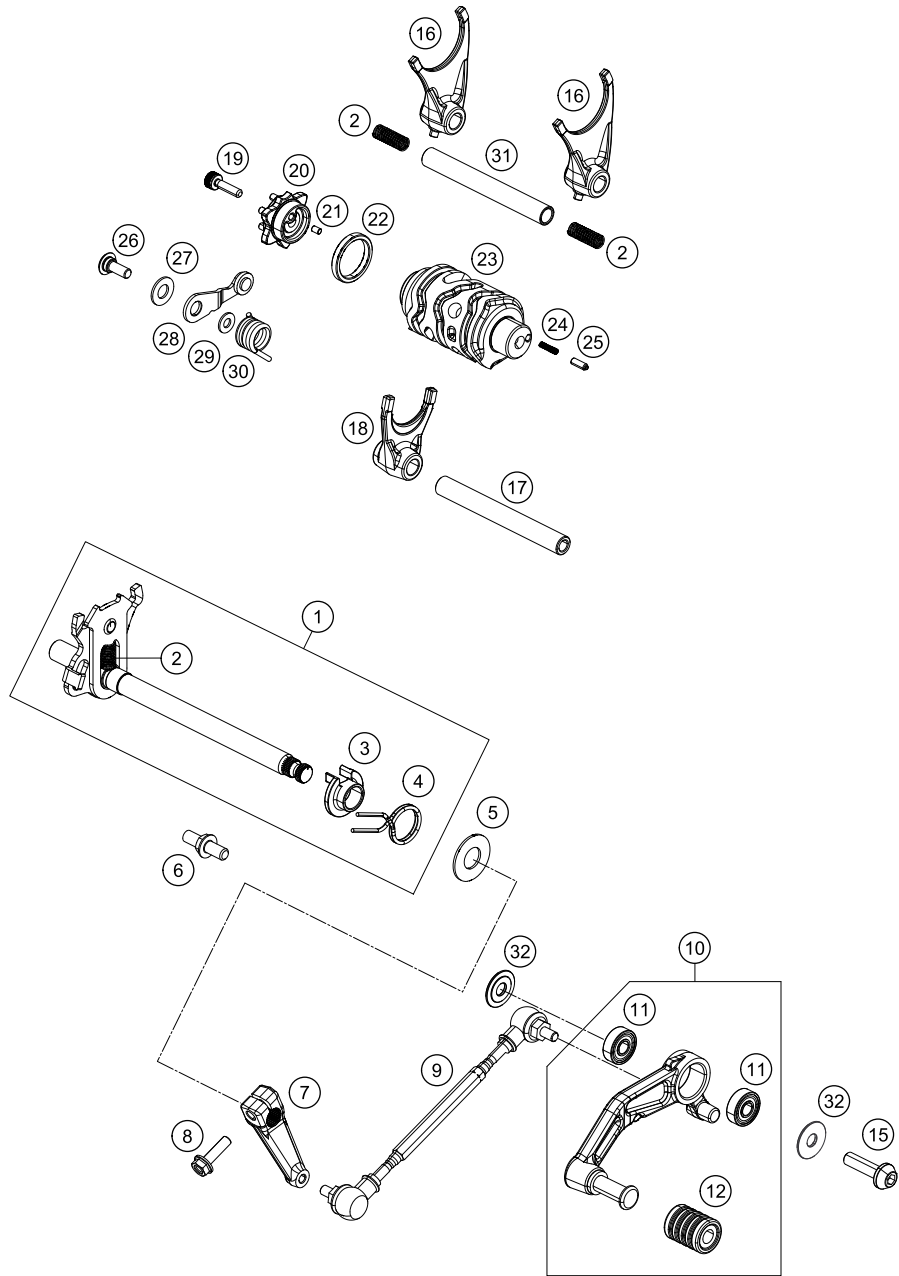
149023361

POS	PARTNUMBER	PARTNAME	PIECE
1	90233010010	COUNTERSHAFT CPL.	1
2	90233012001	COLLAR BUSH	1
3	90233012000	GEAR 2ND DRIVEN	1
4	90233016000	GEAR 6TH DRIVEN	1
5	90233014000	GEAR 4TH DRIVEN	1
6	90233037000	THRUST WASHER	1
7	90233013000	GEAR 3RD DRIVEN	1
8	90233013001	COLLAR BUSH	1
9	J472023120	CIRCLIP 23,5X1,2	1
10	90233015000	GEAR 5TH DRIVEN	1
11	90233011001	COLLAR BUSH	1
12	90233011000	GEAR 1ST DRIVEN	1
13	90233038000	THRUST WASHER	1
14	90233010001	DEEP GROOVE BALL BEARING	1
15	J625063220	DEEP GROOVE BALL BEARING 63/22	1
16	90233030000	BUSHING SPROCKET	1
17	90833029044	SPROCKET 15T W. LOCKING PLATE	1
19	90110057000	BOLT M6X10	2
20	J770019515	O-RING 19,5X1,5	1
21	90230077000	OIL SEAL OUTPUT SHAFT	1
22	J472037150	CIRCLIP 37X1,5	1
99	90233030044	SEALING KIT COUNTERSHAFT	x

C149023361

\* NEW PART

X ON DEMAND



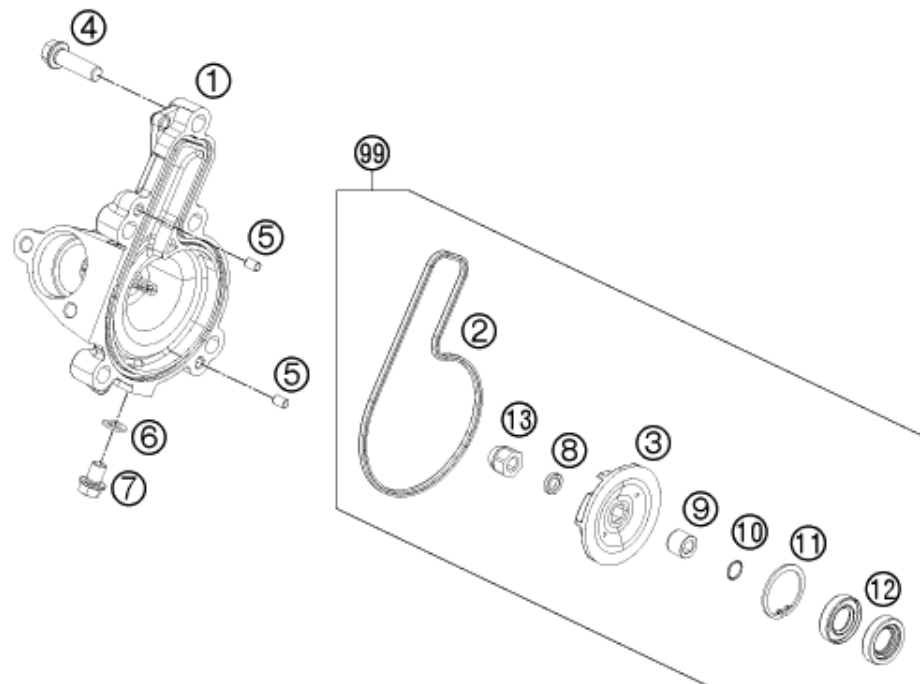
139023410

POS	PARTNUMBER	PARTNAME	PIECE
1	90234005033	SHIFT SHAFT CPL.	1
2	90234039000	SPRING SHIFT RAIL	3
3	90134022000	SPRING BUSHING	1
4	90134014000	RETURN SPRING	1
5	90134050000	STOP DISK 14X30X1,5	1
6	90134016000	SPRING GUIDE	1
7	90634031010	BAFFLE SHIFT LEVER	1
8	J025060223	HH COLLAR SCREW M6X22 SW10	1
9	90634040033	TENSION ROD CPL.	1
10	90134031133	SHIFTING LEVER CPL.	1
11	J625060800	BALL BEARING 608	2
12	90134035000	RUBBER	1
15	90134034300	BOLT SHIFT LEVER	1
16	90234002000	SHIFT FORK	2
17	90234019000	SHIFT RAIL	1
18	90234001000	SHIFT FORK	1
19	90134015003	AH SCREW M6X20 SELF LOCKING	1
20	90134015000	SHIFT DRUM LOCATING	1
21	90134013000	PARALLEL PIN	1
22	90134012002	SPACER	1
23	90234012000	SHIFTING DRUM	1
24	90634012003	CONTACT SPRING	1
25	90134012001	BOLT FOR GEAR INDICATOR	1
26	90134025000	SCREW LOCKING LEVER	1
27	90134030000	WASHER LOCKING LEVER	1
28	90134024033	LOCKING LEVER CPL.	1
29	90134039000	WASHER 6X12,8X1,2	1
30	90134023000	ARRESTING LEVER SPRING	1
31	90234020000	SHIFT RAIL	1
32	90134031020	WASHER SHIFTING LEVER	2

C139023410

\* NEW PART

X ON DEMAND



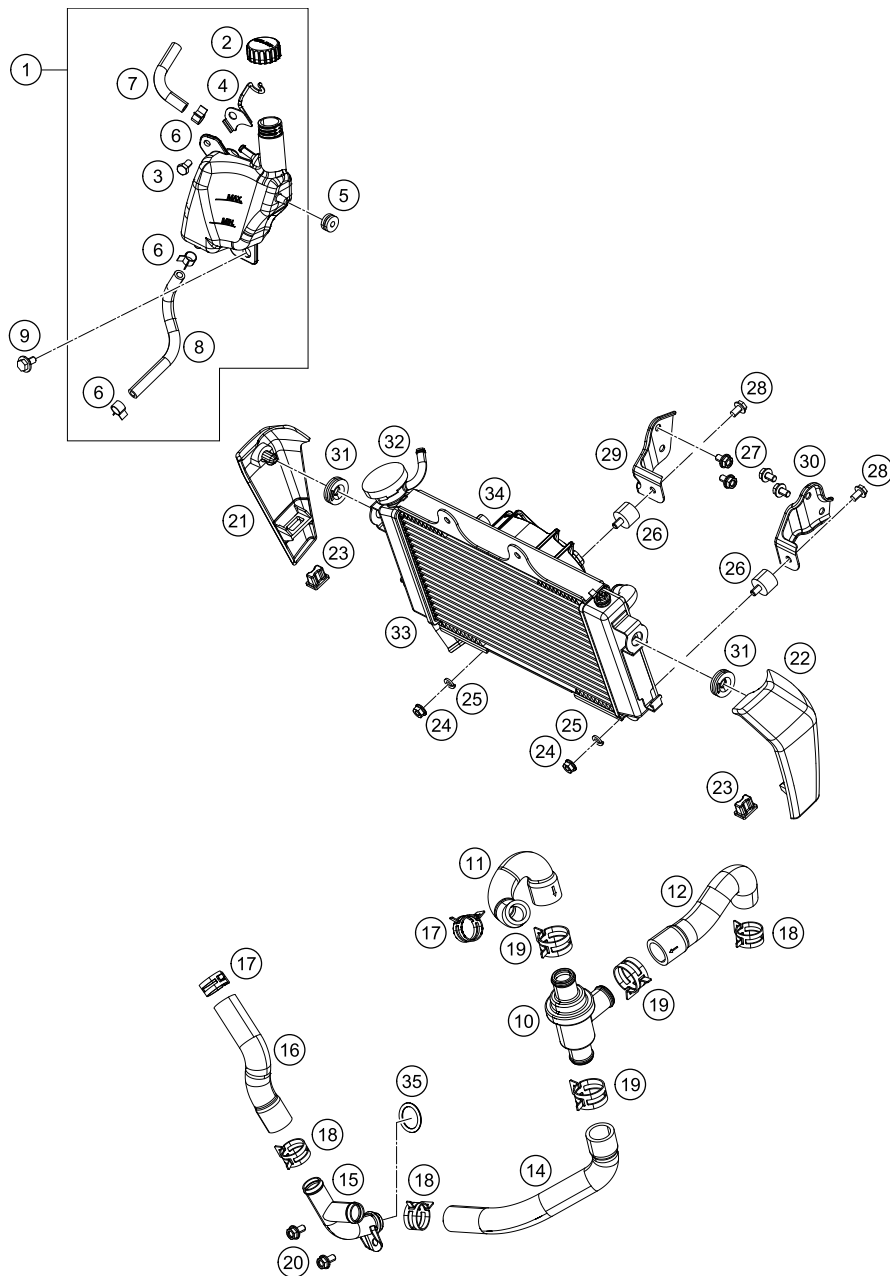
POS	PARTNUMBER	PARTNAME	PIECE
1	90135052000	WATERPUMP COVER	1
2	90135053000	WATER PUMP COVER GASKET	1
3	90135055000	WATER PUMP ROTOR	1
4	J025060206	HH COLLAR SCREW M6X20 SW10	5
5	90134013000	PARALLEL PIN	2
6	J603061001	COPPER GASKET	1
7	J025060066	HH COLLAR SCREW M6X6 SW10	1
8	90130055006	SPACER SHIM	1
9	90130055204	SLEEVE BALANCER DRIVEN	1
10	J770007075	O-RING 7X0,75	1
11	J472025120	CIRCLIP 25X1,2	1
12	J760122455	SHAFT SEALING RING 12X24X5,5	2
13	90135058000	DOME NUT WAPU-WHEEL	1
99	90135055010	WATER PUMP REP. KIT DUKE	x

119013510

C139023510

\* NEW PART

X ON DEMAND



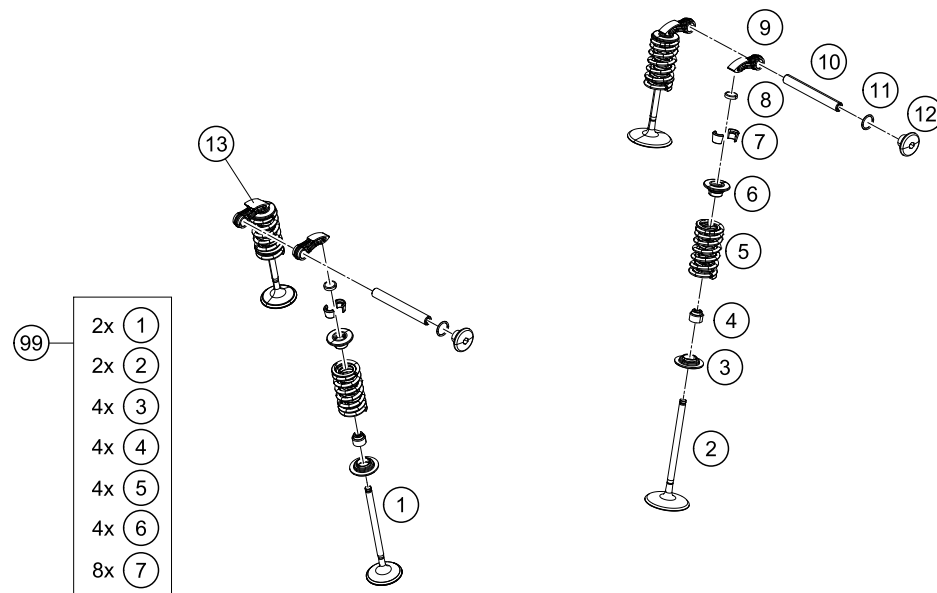
149023530

POS	PARTNUMBER	PARTNAME	PIECE
1	90135065033	EXPANSION RESERVOIR CPL.	1
2	90135066000	PLUG F. EXPANSION TANK	1
3	J025060126	HH COLLAR SCREW M6X12 SW10	1
4	90103001033	BRACKET TUBE DRAIN	1
5	90135065050	GROMMET EXPANSION TANK	1
6	90107018011	CLAMP 10MM	4
7	90135067000	HOSE 6X10,5X80 MM	1
8	90135067050	HOSE 6X10X154 MM	1
9	90135074000	SPECIAL SCREW M6X12 FLANGED	1
10	90135017000	THERMOSTAT	1
11	90235024020	HOSE COOLANT THERM. - RADIATOR	1
12	90235025000	HOSE COOLANT ENGINE - THERM.	1
14	90235024010	HOSE COOLANT THERM. TO T-PIPE	1
15	90135026000	COOLING PIPE "T" CPL.	1
16	90235024030	HOSE COOLANT RADIATOR - T-PIPE	1
17	90135020002	HOSE CLAMP D24	2
18	90135020001	HOSE CLAMP D26	3
19	90135020003	HOSE CLAMP D28	3
20	90135099000	COLLAR SCREW M6X12	2
21	90108061000	RADIATOR PROTECTOR R/S	1
22	90108060000	RADIATOR PROTECTOR L/S	1
23	90108060002	DAMP. RUBBER II RADIATOR PROT	2
24	J926060000	FLANGED NUT M6 WS10 SELF LOCK.	4
25	J127060003	WASHER SPRING B6	4
26	90235001001	SILENT BUSH M6	4
27	J025060103	HH COLLAR SCREW M6X10 SW10	4
28	J026060083	HH COLLAR SCREW M6X8 SW10	4
29	90203006001	RADIATOR SUPPORT R/S BELOW	1
30	90203005001	RADIATORSUPPORT L/S BELOW	1
31	90108060001	DAMPING RUBBER I RADIATOR PROT	2
32	90135016100	RADIATOR CAP	1
33	90235010000	RADIATOR CPL. WITH FAN	1
34	90135041133	FAN RADIATOR CPL.	1
35	J770018530	O-RING 18,5X3	1

C149023530

\* NEW PART

X ON DEMAND



POS	PARTNUMBER	PARTNAME	PIECE
1	90236031000	EXHAUST VALVE	2
2	90236030000	INTAKE VALVE	2
3	90236036000	VALVE SPRING HOLDER	4
4	90236027000	SEAL VALVE STEM	4
5	90236028010	VALVE SPRING SET	4
6	90236032000	VALVE SPRING RETAINER	4
7	90236033000	COTTER VALVE	8
8	60036035185	SHIM D=10/1,85 03	X
8	60036035190	SHIM D=10/1,90 03	X
8	60036035195	SHIM D=10/1,95 03	X
8	60036035200	SHIM D=10/2,00 03	X
8	60036035205	SHIM D=10/2,05 03	X
8	60036035210	SHIM D=10/2,10 03	X
8	60036035215	SHIM D=10/2,15 03	X
8	60036035220	SHIM D=10/2,20 03	X
8	60036035225	SHIM D=10/2,25 03	X
8	60036035230	SHIM D=10/2,30 03	X
8	60036035235	SHIM D=10/2,35 03	X
8	60036035240	SHIM D=10/2,40 03	X
8	60036035245	SHIM D=10/2,45 03	X
8	60036035250	SHIM D=10/2,50 03	X
8	60036035255	SHIM D=10/2,55 03	X
8	60036035260	SHIM D=10/2,60 03	X
8	60036035265	SHIM D=10/2,65 03	X
8	60036035270	SHIM D=10/2,70 03	X
8	60036035275	SHIM D=10/2,75 03	X
8	60036035280	SHIM D=10/2,80 03	X
8	60036035285	SHIM D=10/2,85 03	X
8	60036035290	SHIM D=10/2,90 03	X
8	60036035295	SHIM D=10/2,95 03	X
8	60036035300	SHIM D=10/3,00 03	X
8	60036035305	SHIM D=10/3,05 03	X
8	60036035310	SHIM D=10/3,10 03	X
8	60036035315	SHIM D=10/3,15 03	X
8	60036035320	SHIM D=10/3,20 03	X
8	60036035330	SHIM D=10/3,3	X
9	90136060000	VALVE LEVER	3
10	90236056000	VALVE LEVER SHAFT	2

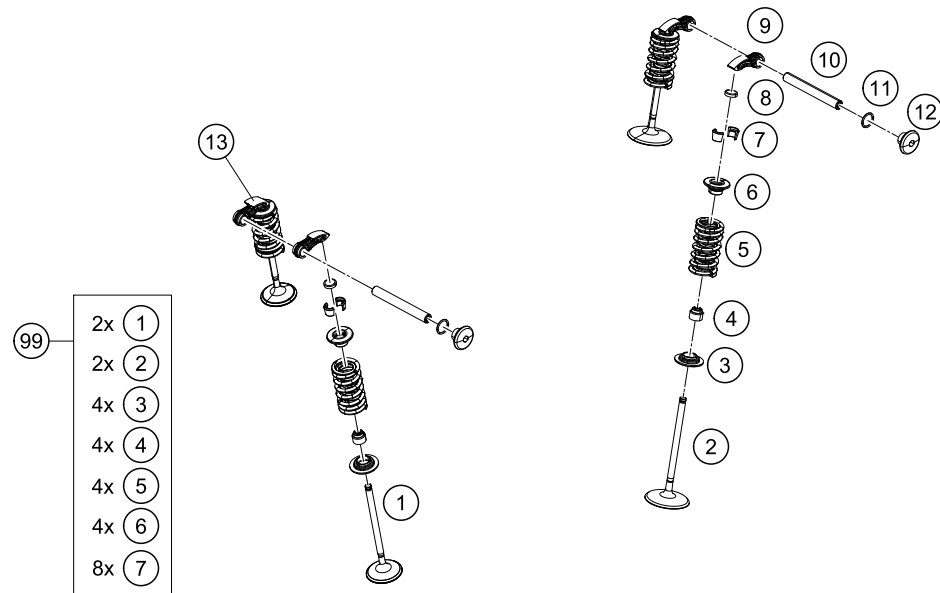
139023610

C139023610

\* NEW PART

X ON DEMAND





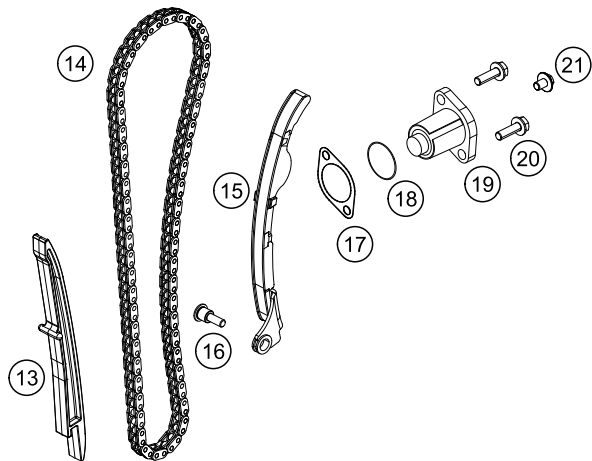
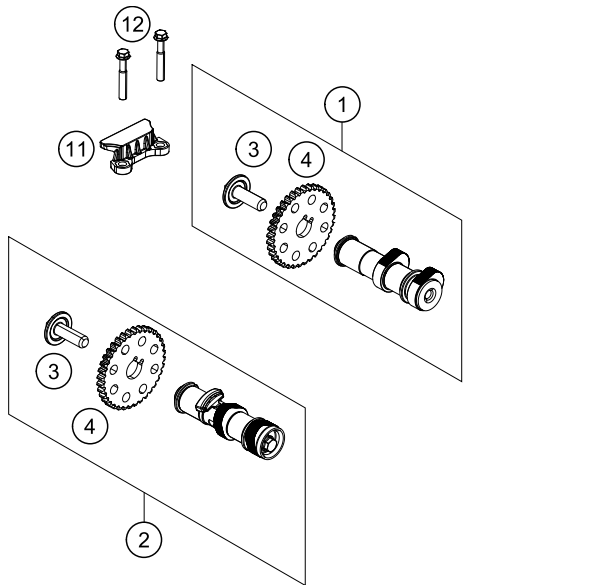
POS	PARTNUMBER	PARTNAME	PIECE
11	J770010312	O-RING 10,3X1,2 MM	2
12	90136056001	SCREW PLUG	2
13	90236060000	VALVE LEVER	1
99	90236030010	VALVE KIT 390 DUKE	x

139023610

C139023610

\* NEW PART

X ON DEMAND



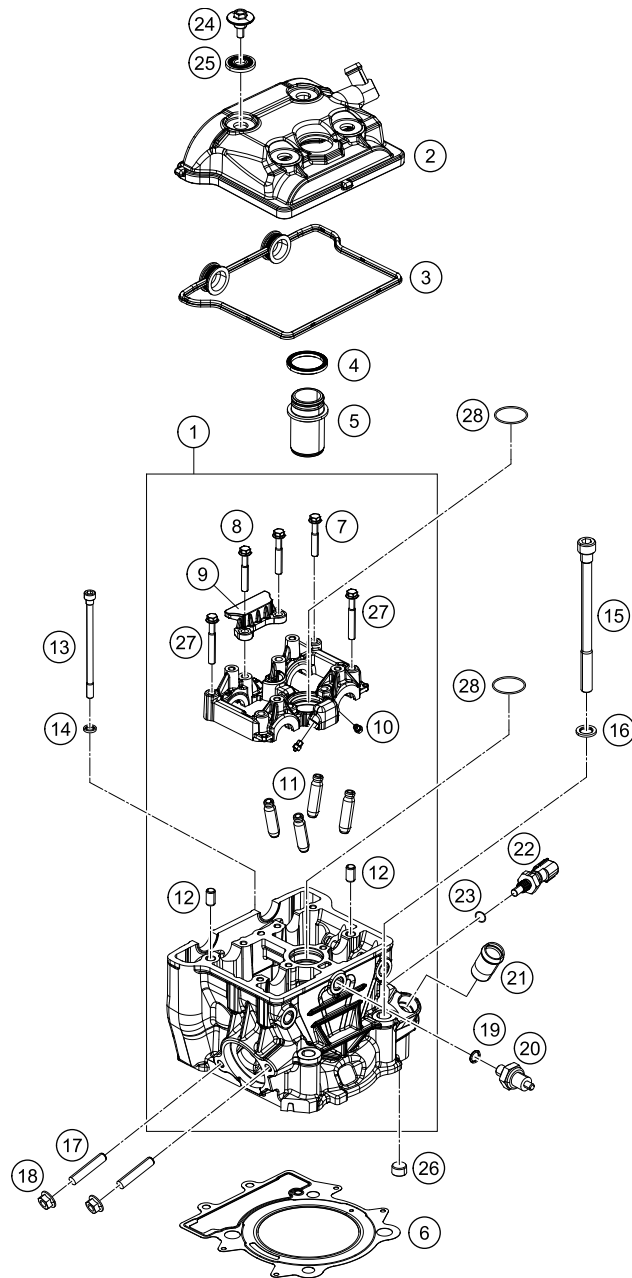
POS	PARTNUMBER	PARTNAME	PIECE
1	90236009033	CAMSHAFT INTAKE CPL.	1
2	90236010133	CAMSHAFT EXHAUST CPL.	1
3	90236037000	SCREW CAMSHAFT SPROCKET	2
4	90236009003	SPROCKET CAMSHAFT	2
11	90236018000	CHAIN GUIDE TOP	1
12	J025060401	HH COLLAR SCREW M6X40	2
13	90236001000	TIMING CHAIN GUIDE	1
14	90236013000	TIMING CHAIN	1
15	90236002000	TENSIONER RAIL CPL.	1
16	90236002004	SCREW TENSIONER RAIL	1
17	90136003003	GASKET CHAIN ADJUSTER	1
18	J770010015	O-RING 10,15X1,5	1
19	90236003044	CHAIN ADJUSTER	1
20	J025060206	HH COLLAR SCREW M6X20 SW10	2
21	90136003002	SPECIAL SCREW 6X6	1

139023620

C149023620

\* NEW PART

X ON DEMAND



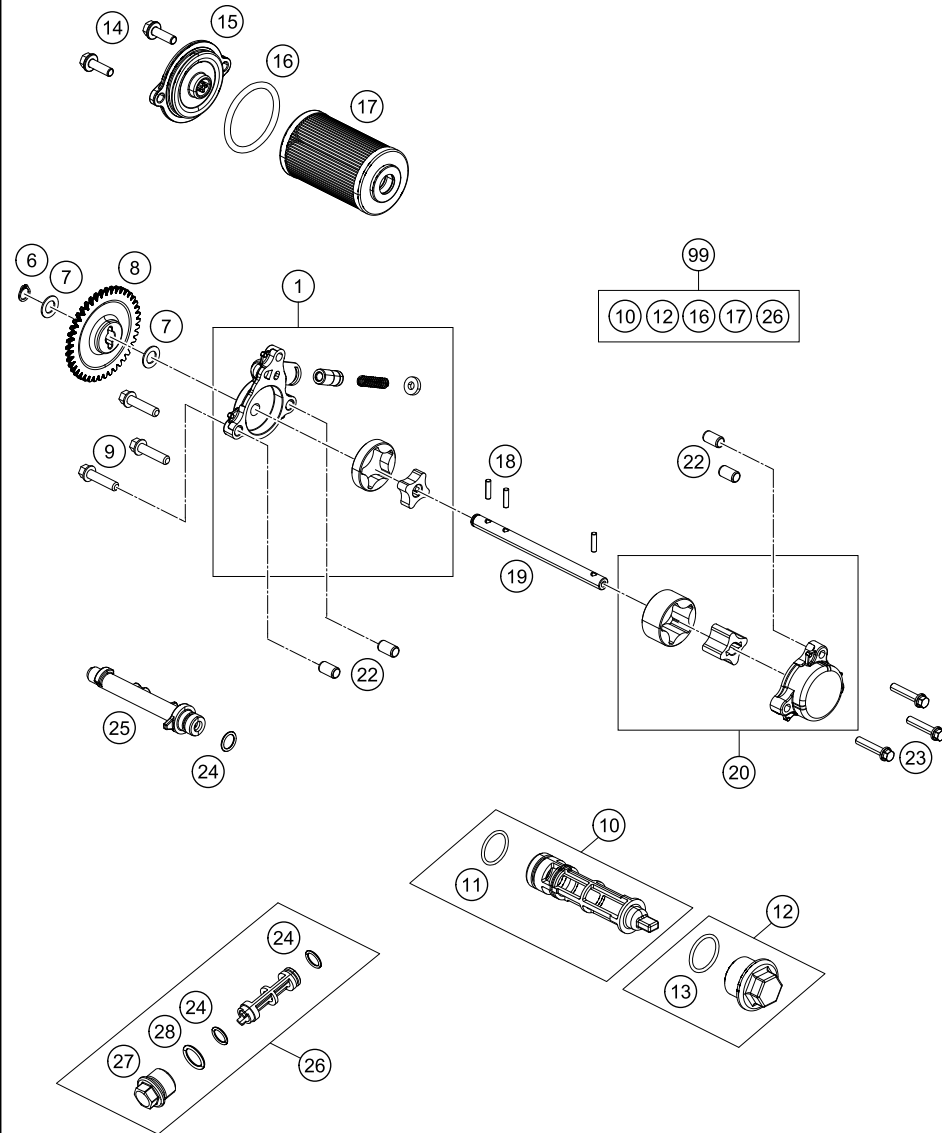
139023630

POS	PARTNUMBER	PARTNAME	PIECE
1	90236020033	CYLINDER HEAD CPL.	1
2	90236052000	VALVE COVER CPL.	1
3	90236053000	GASKET VALVE COVER	1
4	90236054000	GASKET SPARK PLUG SHAFT	1
5	90236074000	SPARK PLUG SHAFT	1
6	90230036000	CYLINDER HEAD GASKET	1
7	J025060356	HH-COLLAR SCREW M6X35 WS8	4
8	J025060401	HH COLLAR SCREW M6X40	2
9	90236018000	CHAIN GUIDE TOP	1
10	90130064000	OIL JET	4
11	90236025000	VALVE GUIDE	4
12	90130024000	PIN DOWEL 8X6,4X14MM	2
13	J912061023	SOCKET HEAD SCREW M6X102	2
14	J125070003	WASHER 7X11X2	2
15	J912101449	SOCKET HEAD SCREW M10X144	4
16	J125110003	WASHER 11,2X18X2	4
17	90136020001	STUD M8	2
18	90136038000	FLANGED NUT M8 H7,5 WS12	2
19	90138091001	O-RING	1
20	90138091000	OIL PRESSURE SENSOR	1
21	90235019000	PIPE COOLANT	1
22	90135047000	TEMPERATURE SENSOR	1
23	90135047001	O-RING	1
24	90136052020	VALVE COVER SCREW	4
25	90136052010	DECOUPLING ELEMENT	4
26	90236024000	PLUG	1
27	J025060453	HH COLLAR SCREW M6X45	2
28	J770029819	O-RING 29,8X1,9	2

C139023630

\* NEW PART

X ON DEMAND



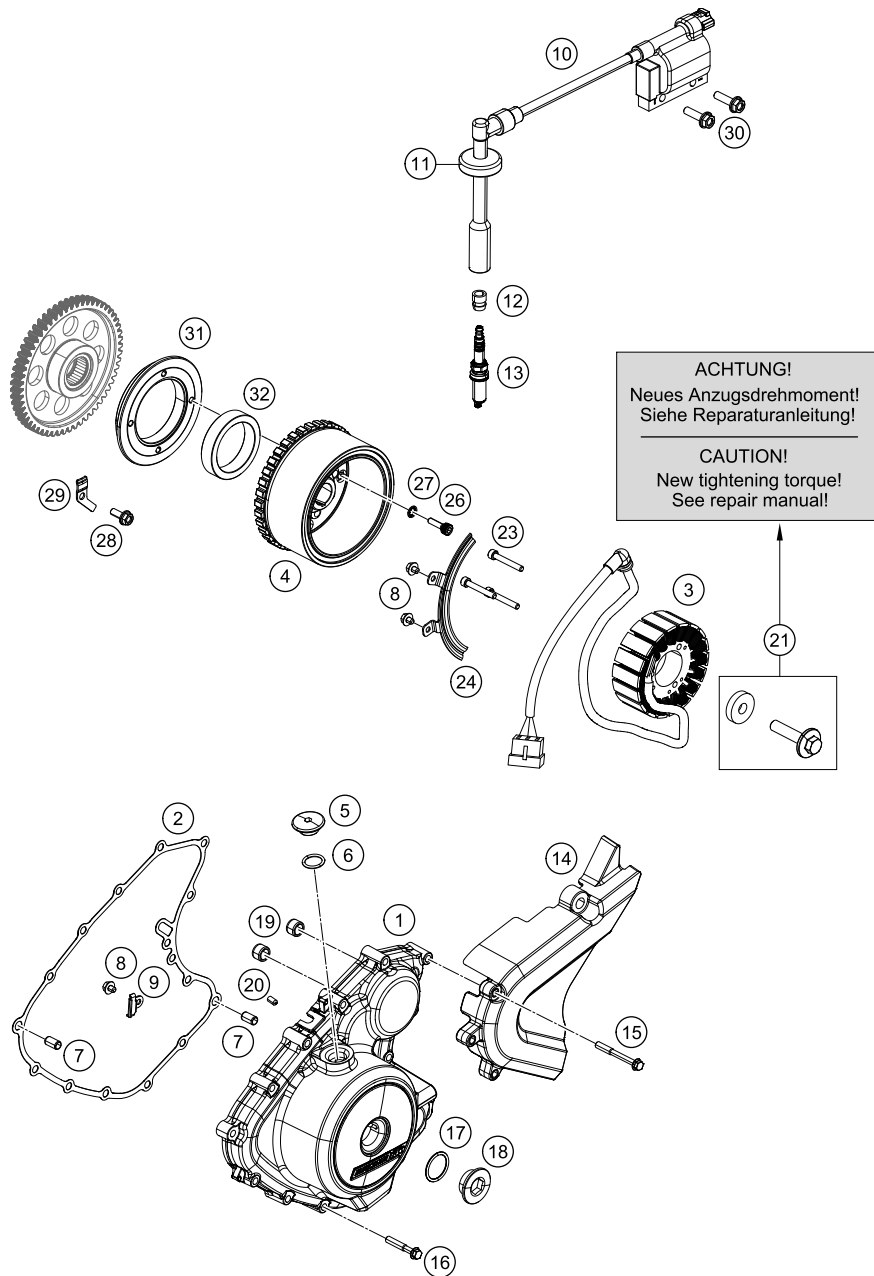
POS	PARTNUMBER	PARTNAME	PIECE
1	90238010044	OIL PUMP CPL.	1
6	J471010100	SEEGERRING 10X1,0	1
7	J125100006	WASHER 10,2X18X1	2
8	90238001000	GEAR OIL PUMP	1
9	J028060303S	HH COLLAR SCREW M6X30 WS8	3
10	90238015033	MESH STRAINER CPL.	1
11	J770017721	O-RING 17,7X2,1 MM	1
12	90138015050	CLOSURE CAP OIL SCREEN	1
13	90138015052	O-RING	1
14	J025050166	HH COLLAR SCREW M5X16 SW8	2
15	90138015060	OIL FILTER COVER	1
16	J770039326	O-RING 39,34X2,62	1
17	90138015000	OIL FILTER	1
18	90238003000	PARALLEL PIN	3
19	90238002000	SHAFT OIL PUMP	1
20	90238008044	OIL PUMP CPL.	1
22	90130024000	PIN DOWEL 8X6,4X14MM	4
23	J028060303S	HH COLLAR SCREW M6X30 WS8	3
24	J7700090151	O-RING 9X1,5	3
25	90238013000	OIL RAIL	1
26	90238016044	MESH STRAINER CPL.	1
27	90238017000	CAP STRAINER	1
28	J770012520	O-RING 12,5X2	1
99	90238015010	OILFILTER SERVICE KIT 390 DUKE	x

139023810

C139023810

\* NEW PART

X ON DEMAND



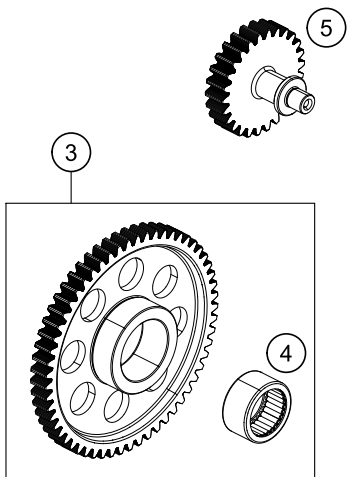
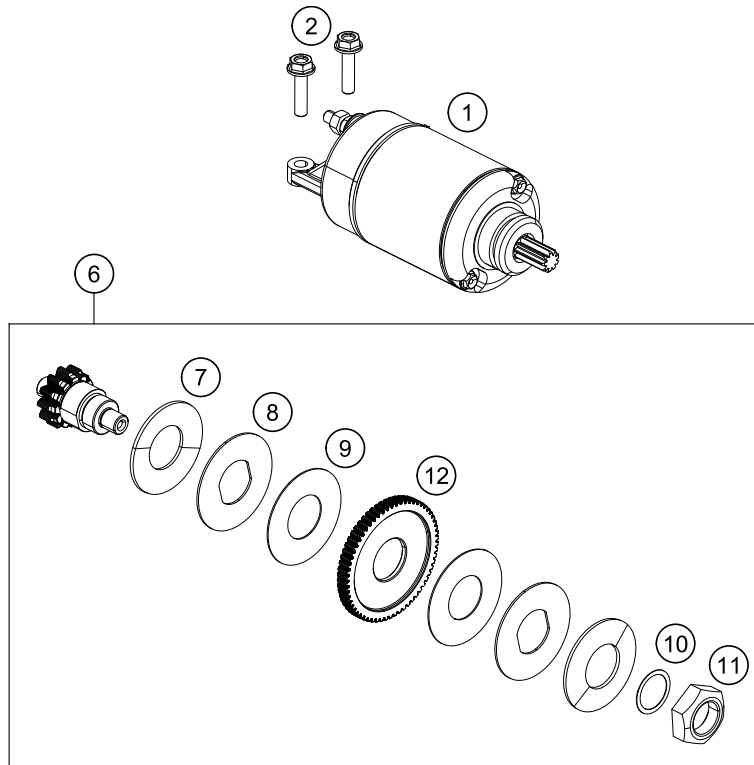
139023910

POS	PARTNUMBER	PARTNAME	PIECE
1	90230002133	IGNITION COVER WITH PLUG	1
2	90230040000	GASKET IGNITION COVER	1
3	90239004100	STATOR CPL.	1
4	90239005000	ROTOR CPL.	1
5	90139010000	PLUG	1
6	J770015824	O-RING 15,8X2,4	1
7	90130024000	PIN DOWEL 8X6,4X14MM	2
8	J025060083S	HH COLLAR SCREW M6X8	3
9	90230062000	BRACKET HARNESS MAGNETO	1
10	90239006044	IGNITION COIL CPL.	1
11	90239090001	RUBBER GASKET SPARK PLUG	1
12	90139093001	RUBBER GASKET SPARK PLUG	1
13	90139093100	SPARK PLUG VR5NE	1
14	90230060002	CHAIN SPROCKET GUARD	1
15	J025060500	FLANGED BOLT M6X50 WS8	3
16	J025060350	FLANGED BOLT M6X35 WS8	12
17	J770024015	O-RING 24X2,5	1
18	90230094000	PLUG SCREW M24X1,5	1
19	90240018000	BUSH STARTER SHAFT	2
20	90230066200	OIL NOZZLE	1
21	90239005050	ROTOR SCREW CPL.	1
23	90530002010	SOCKET HEAD BOLT M5X0,8X40	3
24	90230058000	PLATE HARNESS MAGNETO	1
26	90130001001	SOCKET HEAD SCREW M6X20	4
27	90130001002	TOOTHED LOCK WASHER	4
28	90130059000	HH COLLAR SCREW M6X16	1
29	90240020002	RETAINER GEAR STARTER	1
30	J025060209	HH COLLAR SCREW M6X20	2
31	90130001000	SUPPORT FREEWHEEL CLUTCH	1
32	90140026000	FREEWHEEL CLUTCH	1

C149023910

\* NEW PART

X ON DEMAND



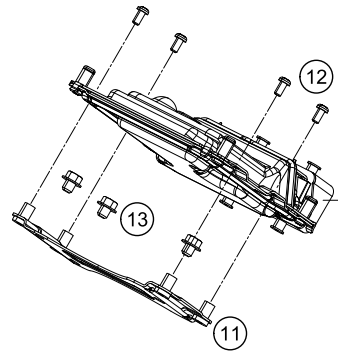
POS	PARTNUMBER	PARTNAME	PIECE
1	90240001044	E-STARTER CPL.	1
2	J025060256	HH COLLAR SCREW M6X25 SW10	2
3	90240020000	GEAR STARTER CLUTCH CPL.	1
4	J618253216	NEEDLE ROLLER BEARING HK2516	1
5	90240022000	GEAR STARTER COUNTER	1
6	90240023033	GEAR STARTER COUNTER CPL.	1
7	90240023006	CONICAL WASHER	2
8	90240023005	WASHER	2
9	90240023004	PAD FRICTION	2
10	90240023007	SHIM STARTER 0,30MM	x
10	90240023008	SHIM STARTER 0,45MM	x
10	90240023009	SHIM STARTER 0,60MM	x
10	90240023010	SHIM STARTER 0,75MM	x
11	90240023003	NUT STARTER COUNTER	1
12	90240023002	GEAR STARTER COUNTER	1

139024010

C139024010

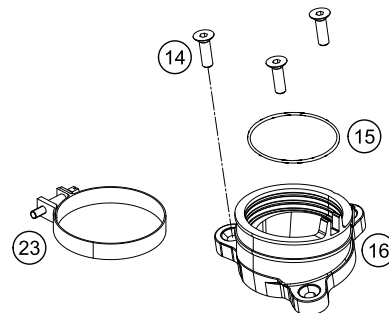
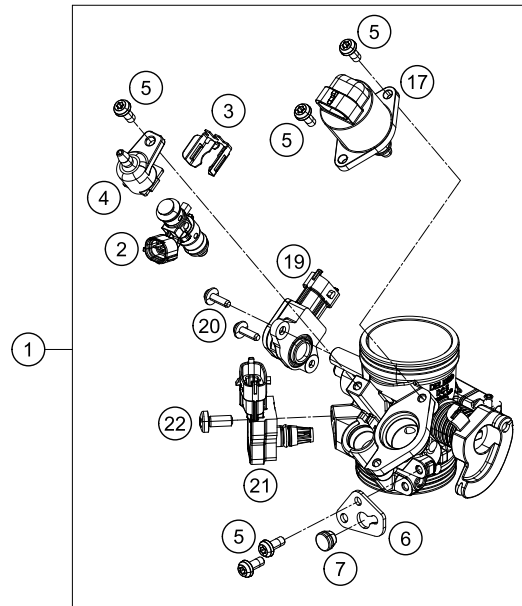
\* NEW PART

X ON DEMAND



**ACHTUNG !!!**  
Steuergerät ist nur über 'Spezial-  
bestellung' im Dealer.net erhältlich.

**CAUTION !!!**  
ECU is orderable in Dealer.net  
as 'special order' only.



139024110

POS	PARTNUMBER	PARTNAME	PIECE
1	90241001000	THROTTLE BODY CPL.	1
2	90241023000	FUEL INJECTOR	1
3	90141001001	INJECTOR CLIP	1
4	90141023004	CONNECTOR FUEL RAIL	1
5	90141023005	SPECIAL SCREW M5X12	5
6	90141023002	CABLE SUPPORT	1
7	90141023003	GROMMET	1
11	90141029000	BRACKET TIMING CHARGER	1
12	J005040081	FLAT HEAD SCREW M4X8 PH	4
13	J027050063	HH COLLAR SCREW M5X6 SW8	3
14	J991060203S	COUNTERSUNK SCREW M6X20	3
15	J770053024	O-RING 53X2,4	1
16	90241002000	PIPE INTAKE	1
17	90641072000	IDLE ADJUSTER	1
19	90141070000	THROTTLE POSITION SENSOR	1
20	90141070001	SPECIAL SCREW M4X13	2
21	90141071000	TMAP-SENSOR	1
22	90141071001	SPECIAL SCREW M6X14	1
23	90241002010	HOSE CLAMP	1

C139024110

\* NEW PART

X ON DEMAND

A large, empty rectangular box with a thin black border, occupying the majority of the page. It is intended for the student to write their notes during the lecture.



A large, empty rectangular box with a thin black border, occupying the majority of the page. It is intended for the user to write their notes.

A large, empty rectangular box with a thin black border, occupying the majority of the page. It is intended for the student to write their notes during the lecture.



WWW.KTM.COM



KTM Sportmotorcycle GmbH  
5230 Mattighofen, Austria  
[www.ktm.com](http://www.ktm.com)



**KTM**\_POWERPARTS

**KTM**\_POWERWEAR

**KTM**\_ORIGINAL SPARE PARTS



3CM081270NEN

Art. Nr.: 3CM081270NEN 27. Apr. 2015