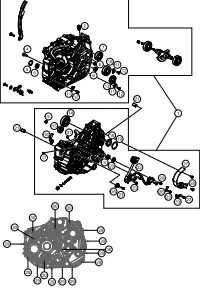
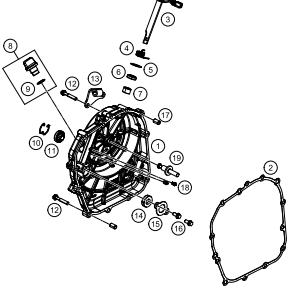
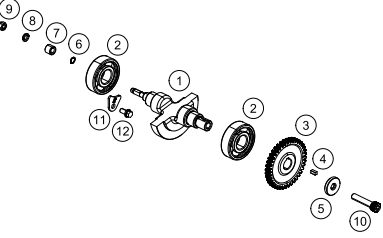
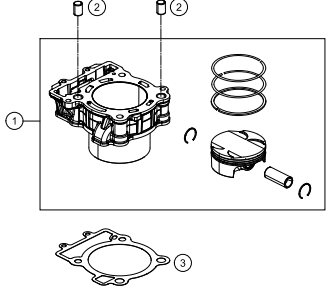
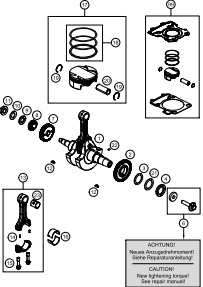
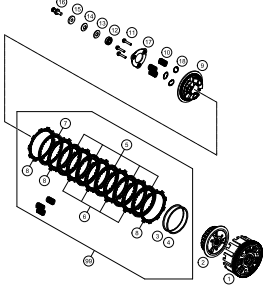
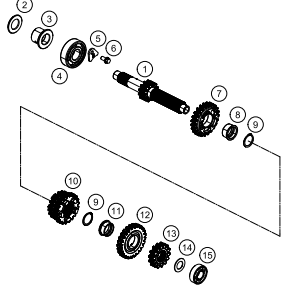
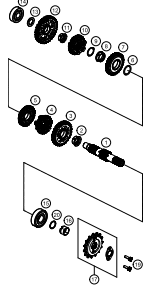
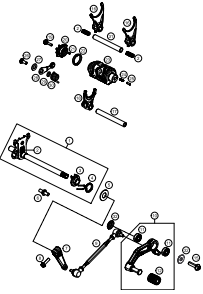
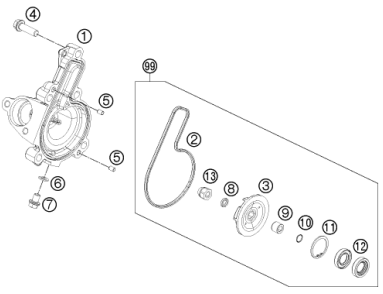
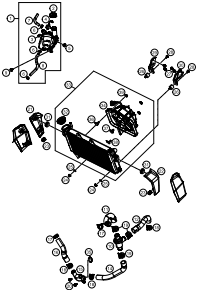
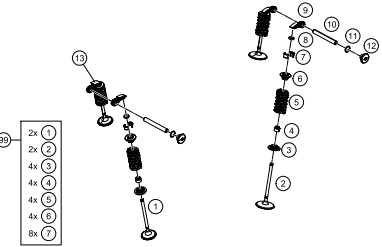
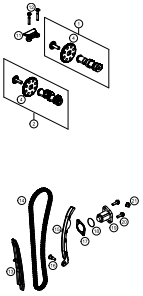
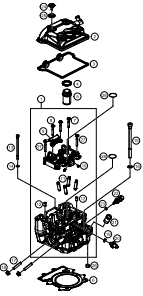
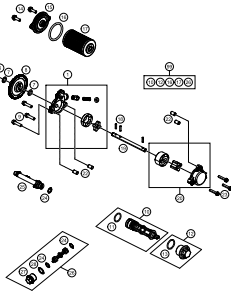
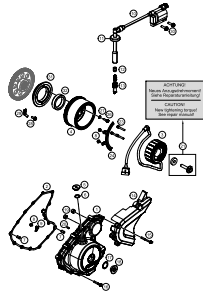
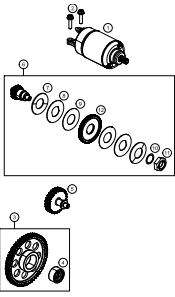
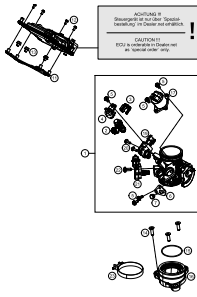


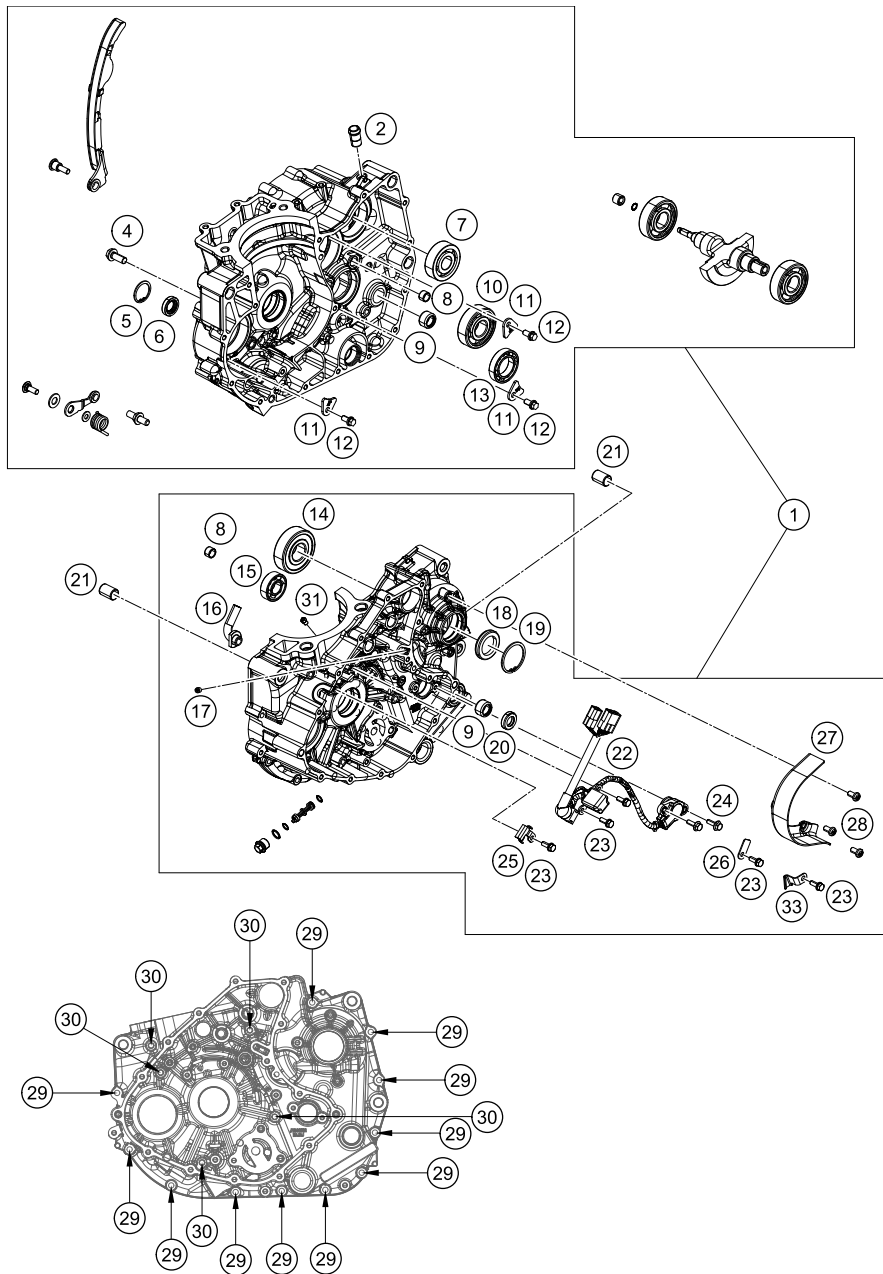
390 DUKE 2015

ART.-NR.: 3CM0812700EN



| | | | |
|--|---|--|--|
| <p>ENGINE CASE</p>  <p style="text-align: right;">3</p> | <p>CLUTCH COVER</p>  <p style="text-align: right;">4</p> | <p>BALANCER SHAFT</p>  <p style="text-align: right;">5</p> | <p>CYLINDER</p>  <p style="text-align: right;">6</p> |
| <p>CRANKSHAFT, PISTON</p>  <p style="text-align: right;">7</p> | <p>CLUTCH</p>  <p style="text-align: right;">8</p> | <p>TRANSMISSION I - MAIN SHAFT</p>  <p style="text-align: right;">9</p> | <p>TRANSMISSION II - COUNTERSHAFT</p>  <p style="text-align: right;">10</p> |
| <p>SHIFTING MECHANISM</p>  <p style="text-align: right;">11</p> | <p>WATER PUMP</p>  <p style="text-align: right;">12</p> | <p>COOLING SYSTEM</p>  <p style="text-align: right;">13</p> | <p>VALVE DRIVE</p>  <p style="text-align: right;">14</p> |

| | | | |
|---|--|---|--|
| <p>TIMING DRIVE</p>  <p>16</p> | <p>CYLINDER HEAD</p>  <p>17</p> | <p>LUBRICATING SYSTEM</p>  <p>18</p> | <p>IGNITION SYSTEM</p>  <p>19</p> |
| <p>ELECTRIC STARTER</p>  <p>20</p> | <p>THROTTLE BODY</p>  <p>21</p> | | |
| <div style="display: flex; align-items: center;"> <div style="background-color: #cccccc; width: 50px; height: 100px; display: flex; align-items: center; justify-content: center; margin-right: 20px;"> ! </div> <div> <p>All information contained is without obligation. KTM Sportmotorcycle GmbH particularly reserves the right to modify any equipment, technical specifications, prices, colors, shapes, materials, services, service work, constructions, equipment and the like so as to adapt them to local conditions or to cancel any of the above items, all without previous announcement and without giving reasons. KTM may stop manufacturing certain models without previous notice. KTM shall not be held liable for any deviations of availability and/or ability to deliver, illustrations, descriptions, printing and/or other errors. The illustrated models partly contain extra equipment, which is not applied to standard models.</p> <p>© by KTM Sportmotorcycle GmbH, Mattighofen AUSTRIA; All rights reserved; Reprint, also in extracts, with written allowance of KTM Sportmotorcycle GmbH, Mattighofen only.</p> </div> </div> | | | |



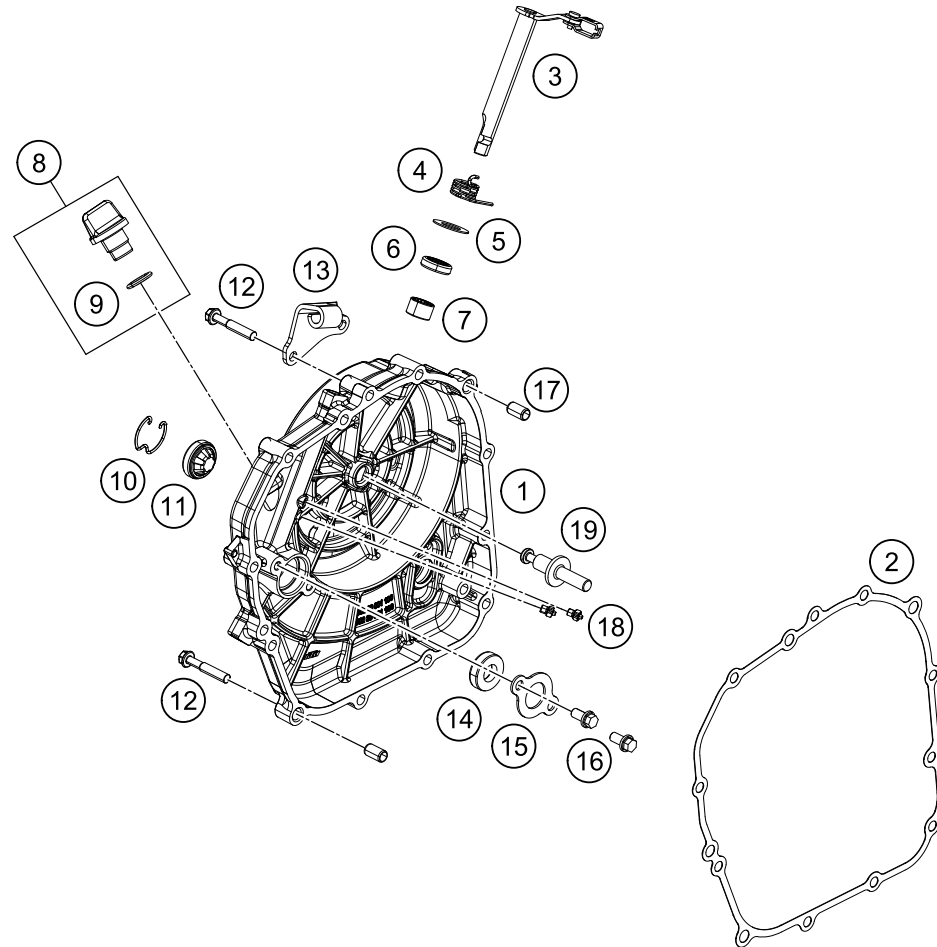
159023010

| POS | PARTNUMBER | PARTNAME | PIECE |
|-----|-------------|--------------------------------|-------|
| 1 | 90230000144 | ENGINE CASE CPL. | 1 |
| 2 | 90130022000 | VENTILATION CONNECTOR | 1 |
| 4 | J011080203S | FLANGED BOLT M8X20 | 1 |
| 5 | J472025120 | CIRCLIP 25X1,2 | 1 |
| 6 | J760122455 | SHAFT SEALING RING 12X24X5,5 | 1 |
| 7 | 90233010001 | DEEP GROOVE BALL BEARING | 1 |
| 8 | 90234030000 | BUSH SHIFT RAIL | 2 |
| 9 | J618131912 | NEEDLE ROLLER BEARING HK1312 | 2 |
| 10 | J625063040 | DEEP GROOVE BALL BEARING 6304 | 1 |
| 11 | 90230079000 | STOPPER BALANCER SHAFT BEARING | 3 |
| 12 | 90130078001 | FLANGED BOLT 6X12 | 3 |
| 13 | 90130004004 | BALL BEARING 25X42X9 | 1 |
| 14 | J625063320 | BALL BEARING 22X56X16-C3L- | 1 |
| 15 | J625062122 | BALL BEARING 15X35X11-C3-1 | 1 |
| 16 | 90238014000 | OIL PIPE | 1 |
| 17 | 90230066100 | OIL NOZZLE | 1 |
| 18 | 90230077000 | OIL SEAL OUTPUT SHAFT | 1 |
| 19 | J472037150 | CIRCLIP 37X1,5 | 1 |
| 20 | 90130003004 | SEAL RING 13X22X5,5 | 1 |
| 21 | 90130003007 | DOWEL D14 | 2 |
| 22 | 90211023000 | GEAR-POS.SENSOR INC.PULS. COIL | 1 |
| 23 | J011050133 | HH COLLAR SCREW M5X13 SW8 | 5 |
| 24 | J025050163S | % FLANGED BOLT M5X16 | 2 |
| 25 | 90230060000 | BRACKET | 1 |
| 26 | 90230042000 | BRACKET | 2 |
| 27 | 90230047000 | CHAIN GUARD | 1 |
| 28 | J005060123 | FLAT HEAD SCREW M6X12 PH | 3 |
| 29 | J025060350 | FLANGED BOLT M6X35 WS8 | 11 |
| 30 | J028060753S | FLANGED BOLT M6X75 | 5 |
| 31 | 90230066000 | OIL NOZZLE | 1 |
| 33 | 90230142000 | BRACKET GEAR-POSITION SENSOR | 1 |

C159023010

* NEW PART

X ON DEMAND



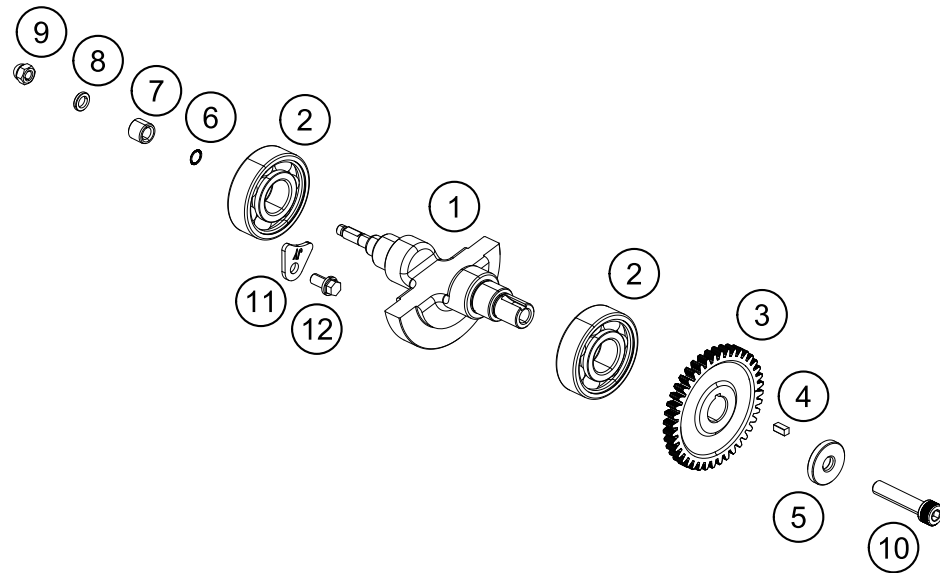
| POS | PARTNUMBER | PARTNAME | PIECE |
|-----|-------------|---------------------------|-------|
| 1 | 90230001144 | CLUTCH COVER WITH PLUG | 1 |
| 2 | 90230027000 | GASKET CLUTCH COVER | 1 |
| 3 | 90232048133 | CLUTCH RELEASE LEVER CPL. | 1 |
| 4 | 90232048003 | SPRING F. RELEASE LEVER | 1 |
| 5 | 90132048005 | WASHER 12,5X24X0,8MM | 1 |
| 6 | 90132051000 | OIL SEAL RING | 1 |
| 7 | 90132050000 | NEEDLE BEARING | 1 |
| 8 | 90130020000 | OIL PLUG CPL. | 1 |
| 9 | J770013824 | O-RING 13,8X2,4 | 1 |
| 10 | 90630095000 | % WIRE CIRCLIP 28X1,5 | 1 |
| 11 | 90130095100 | OIL GAUGE GLASS | 1 |
| 12 | J025060350 | FLANGED BOLT M6X35 WS8 | 12 |
| 13 | 90230059100 | BRACKET CLUTCH CABLE | 1 |
| 14 | 90134127000 | OIL SEAL RING | 1 |
| 15 | 90230060001 | STOPPER SHAFT SEAL RING | 1 |
| 16 | 90130078001 | FLANGED BOLT 6X12 | 2 |
| 17 | 90130024000 | PIN DOWEL 8X6,4X14MM | 2 |
| 18 | 90130064000 | OIL JET | 2 |
| 19 | 90232048004 | PULL ROD | 1 |

159023020

C159023020

* NEW PART

X ON DEMAND



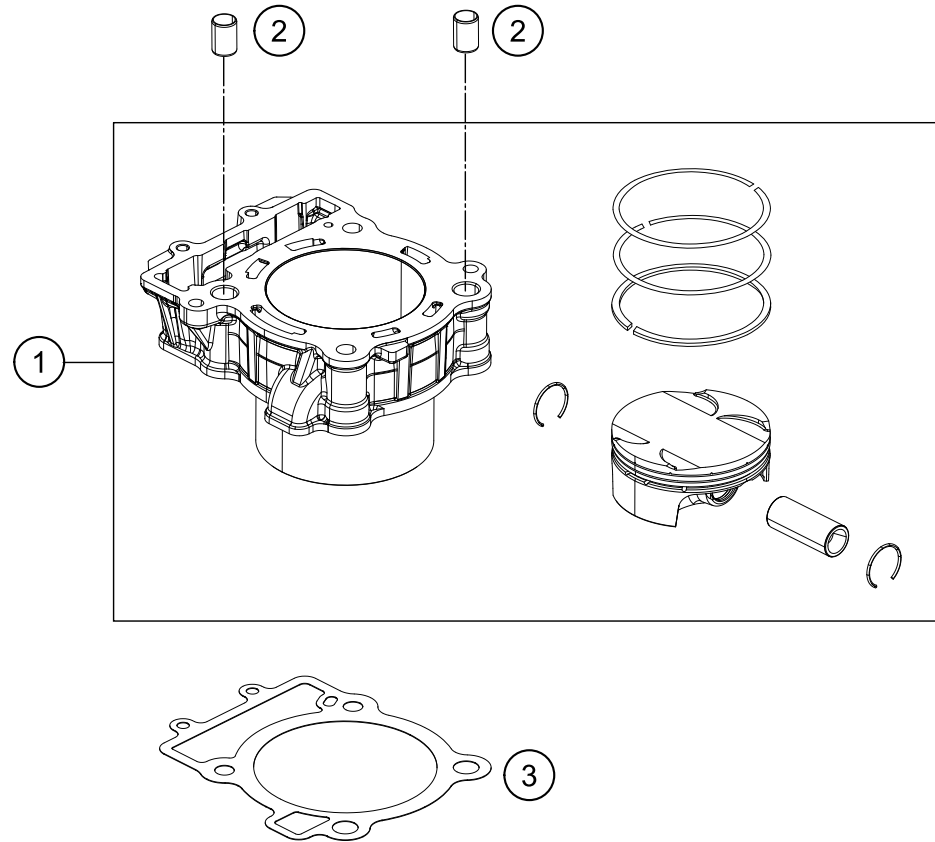
| POS | PARTNUMBER | PARTNAME | PIECE |
|-----|-------------|--------------------------------|-------|
| 1 | 90230057001 | BALANCER SHAFT | 1 |
| 2 | J625063041 | DEEP GR. BALL BEAR.6304 HN3 C3 | 2 |
| 3 | 90130055000 | DRIVE WHEEL BALANCER SHAFT | 1 |
| 4 | 90130055001 | CLUTCH HUB DRIVE WHEEL BAL.SHA | 1 |
| 5 | 90130057050 | WASHER 8,2X26X4,5 "0" | 1 |
| 6 | J770875008 | O-RING 8,75X0,8 | 1 |
| 7 | 90130055204 | SLEEVE BALANCER DRIVEN | 1 |
| 8 | 90130055006 | SPACER SHIM | 1 |
| 9 | 90135058000 | DOME NUT WAPU-WHEEL | 1 |
| 10 | 90130055003 | SPECIAL SCREW BALANCER SHAFT | 1 |
| 11 | 90230079000 | STOPPER BALANCER SHAFT BEARING | 1 |
| 12 | 90130078001 | FLANGED BOLT 6X12 | 1 |

139023030

C139023030

* NEW PART

X ON DEMAND



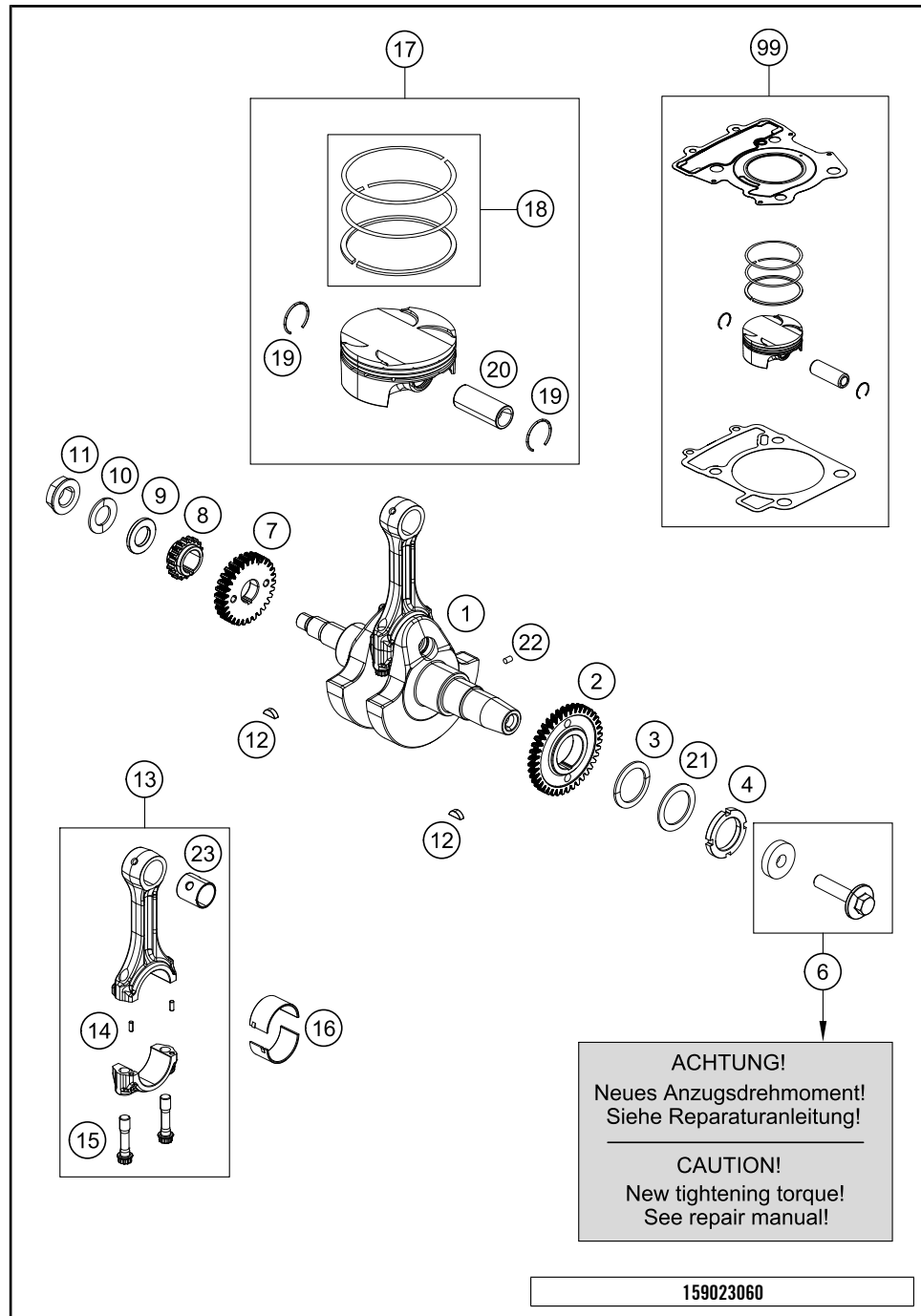
| POS | PARTNUMBER | PARTNAME | PIECE |
|-----|-------------|--------------------------|-------|
| 1 | 90230038000 | % CYLINDER + PISTON CPL. | 1 |
| 2 | 90130003007 | DOWEL D14 | 2 |
| 3 | 90230035000 | GASKET CYLINDER BLOCK | 1 |

139023040

C139023040

* NEW PART

X ON DEMAND

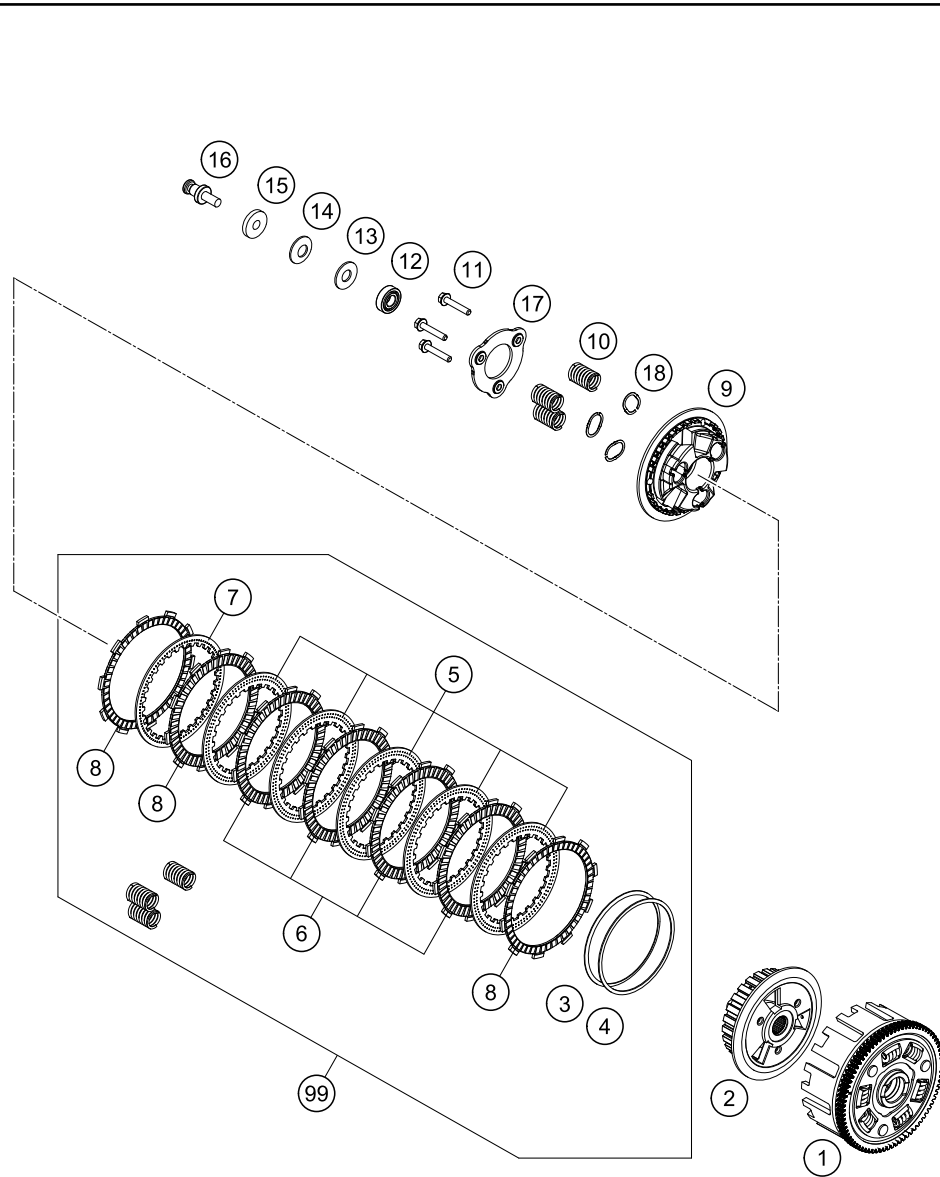


| POS | PARTNUMBER | PARTNAME | PIECE |
|-----|-------------|------------------------------|-------|
| 1 | 90230018100 | CRANKSHAFT CPL. | 1 |
| 2 | 90230055000 | GEAR BALANCER DRIVE | 1 |
| 3 | 90230069000 | CONICAL WASHER 28,35X38X1,75 | 1 |
| 4 | 90130018008 | NUT FOR DRIVE WHEEL AGW | 1 |
| 6 | 90239005050 | ROTOR SCREW CPL. | 1 |
| 7 | 90232023030 | PRIMARY GEAR 30T | 1 |
| 8 | 90236014000 | SPROCKET CRANKSHAFT | 1 |
| 9 | 90236015000 | WASHER PLAIN | 1 |
| 10 | 90236015001 | SPECIAL WASHER | 1 |
| 11 | 90230029000 | NUT M16X1,5 | 1 |
| 12 | J888040050 | WOODRUFF KEY 4X5X13 | 2 |
| 13 | 90230015100 | CON ROD CPL. | 1 |
| 14 | 90630015002 | PARALLEL PIN | 2 |
| 15 | 90230015013 | CON ROD SCREW | 2 |
| 16 | 90230015010 | CONROD BEARING SHELL | 1 |
| 16 | 90230015011 | CONROD BEARING SHELL (GREEN) | x |
| 16 | 90230015012 | CONROD BEARING SHELL (BLUE) | x |
| 17 | 90230007000 | PISTON CPL. | 1 |
| 18 | 90230030010 | PISTON RINGS CPL. | 1 |
| 19 | 90230074000 | RING SNAP | 2 |
| 20 | 90230033000 | PISTON PIN | 1 |
| 21 | 90230068000 | PLAIN WASHER 28,2X39X1,5 | 1 |
| 22 | 90134013000 | PARALLEL PIN | 1 |
| 23 | 90230033001 | BEARING BUSH PISTON PIN | 1 |
| 99 | 90230007010 | PISTON KIT 390 DUKE 2013 | 1 |

159023060

C159023060

* NEW PART X ON DEMAND



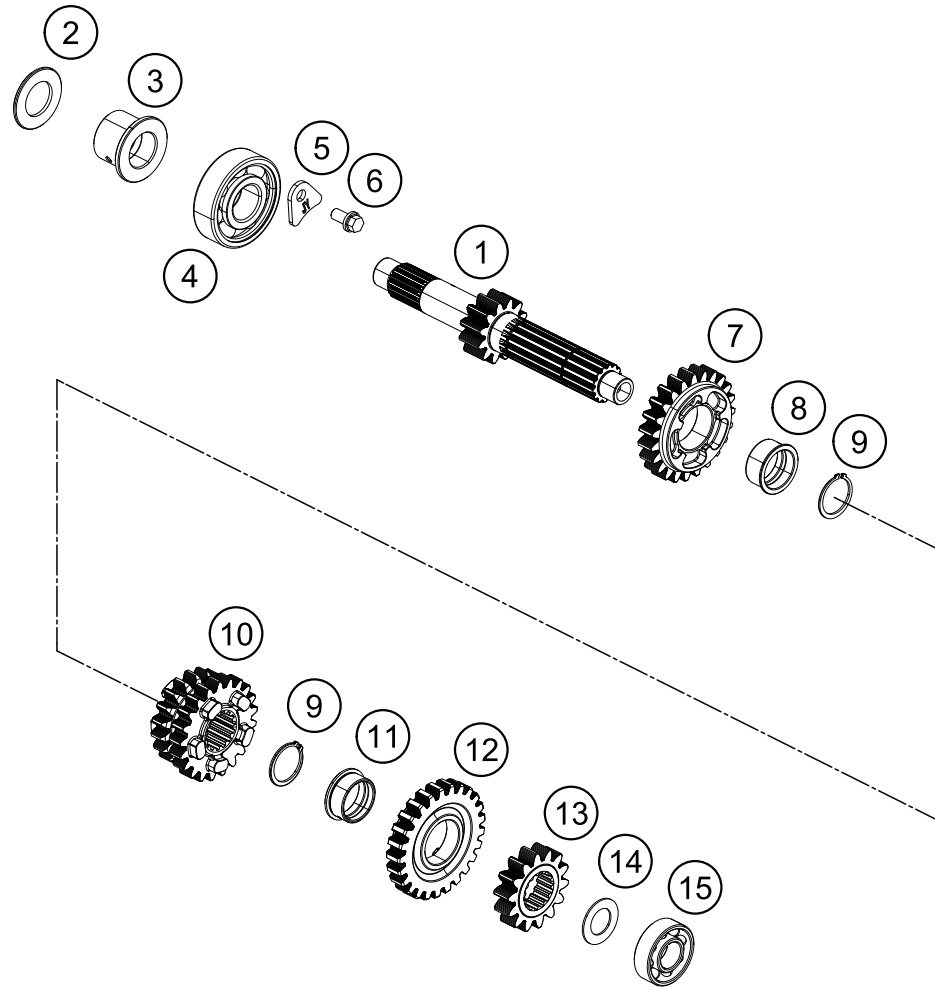
| POS | PARTNUMBER | PARTNAME | PIECE |
|-----|-------------|---------------------------|-------|
| 1 | 90232101044 | CLUTCH CAGE CPL. | 1 |
| 2 | 90232102000 | INNER CLUTCH HUB | 1 |
| 3 | 90232134000 | JUDDER SPRING | 1 |
| 4 | 90232135000 | SEAT JUDDER SPRING | 1 |
| 5 | 90232010100 | INTERMEDI. DISC A | 5 |
| 6 | 90232011000 | LINING DISC | 4 |
| 7 | 90232110000 | INTERMEDI. DISC B | 1 |
| 8 | 90232211000 | LINING DISC TURNED OFF | 3 |
| 9 | 90232103000 | PRESSURE PLATE | 1 |
| 10 | 90232105000 | CLUTCH SPRING | 3 |
| 11 | 90232101001 | HH COLLAR SCREW M6X35 | 3 |
| 12 | J625069020 | BALL BEARING 6902 15X28X7 | 1 |
| 13 | 90232017000 | SHIM | 1 |
| 14 | 90236015001 | SPECIAL WASHER | 1 |
| 15 | 90232019000 | NUT F. CLUTCH | 1 |
| 16 | 90232048004 | PULL ROD | 1 |
| 17 | 90232006000 | STOPPER PLATE | 1 |
| 18 | 90232004000 | SPRING SEAT | 3 |
| 99 | 90232111010 | CLUTCH KIT 390 DUKE 15 | x |

159023210

C159023210

* NEW PART

X ON DEMAND



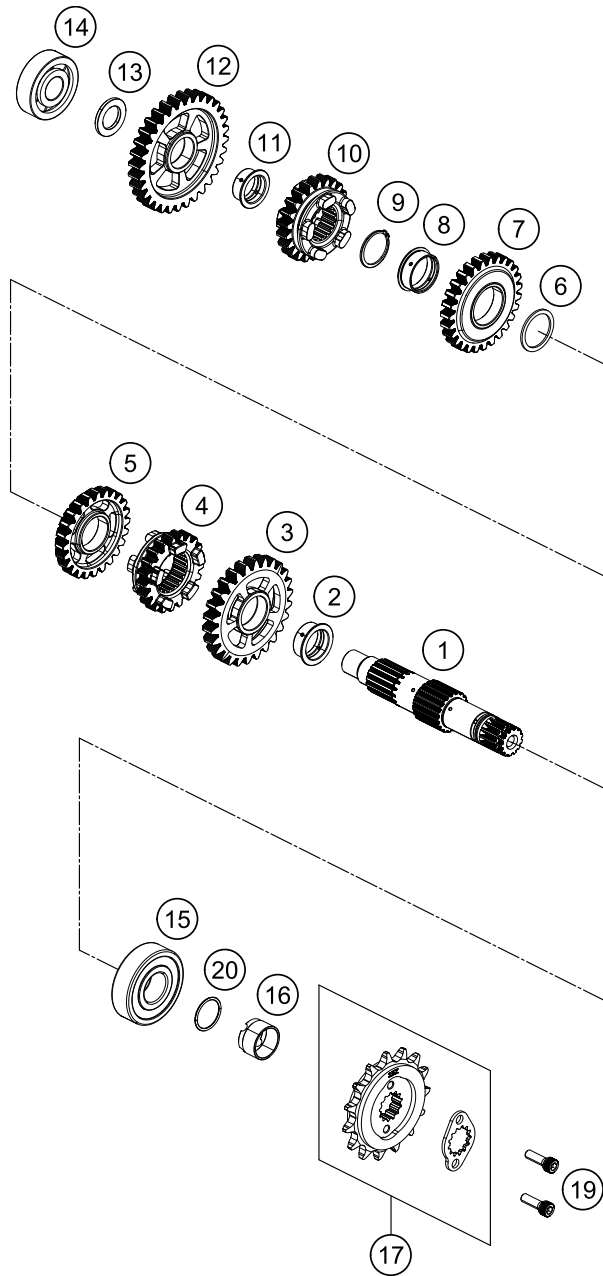
| POS | PARTNUMBER | PARTNAME | PIECE |
|-----|-------------|--------------------------------|-------|
| 1 | 90233001000 | MAIN SHAFT | 1 |
| 2 | 90232020000 | WASHER | 1 |
| 3 | 90232016000 | COLLAR BUSH | 1 |
| 4 | J625063040 | DEEP GROOVE BALL BEARING 6304 | 1 |
| 5 | 90230079000 | STOPPER BALANCER SHAFT BEARING | 1 |
| 6 | 90130078001 | FLANGED BOLT 6X12 | 1 |
| 7 | 90233005000 | GEAR 5TH DRIVE | 1 |
| 8 | 90233005001 | COLLAR BUSH | 1 |
| 9 | J471020123 | CIRCLIP 20,5X1,2 | 2 |
| 10 | 90233003000 | GEAR 3RD/4TH DRIVE | 1 |
| 11 | 90233006001 | COLLAR BUSH | 1 |
| 12 | 90233006000 | GEAR 6TH DRIVE | 1 |
| 13 | 90233002000 | GEAR 2ND DRIVE | 1 |
| 14 | 90233036000 | WASHER TRUST 2ND DRIVE | 1 |
| 15 | J625062122 | BALL BEARING 15X35X11-C3-1 | 1 |

139023330

C159023330

* NEW PART

X ON DEMAND



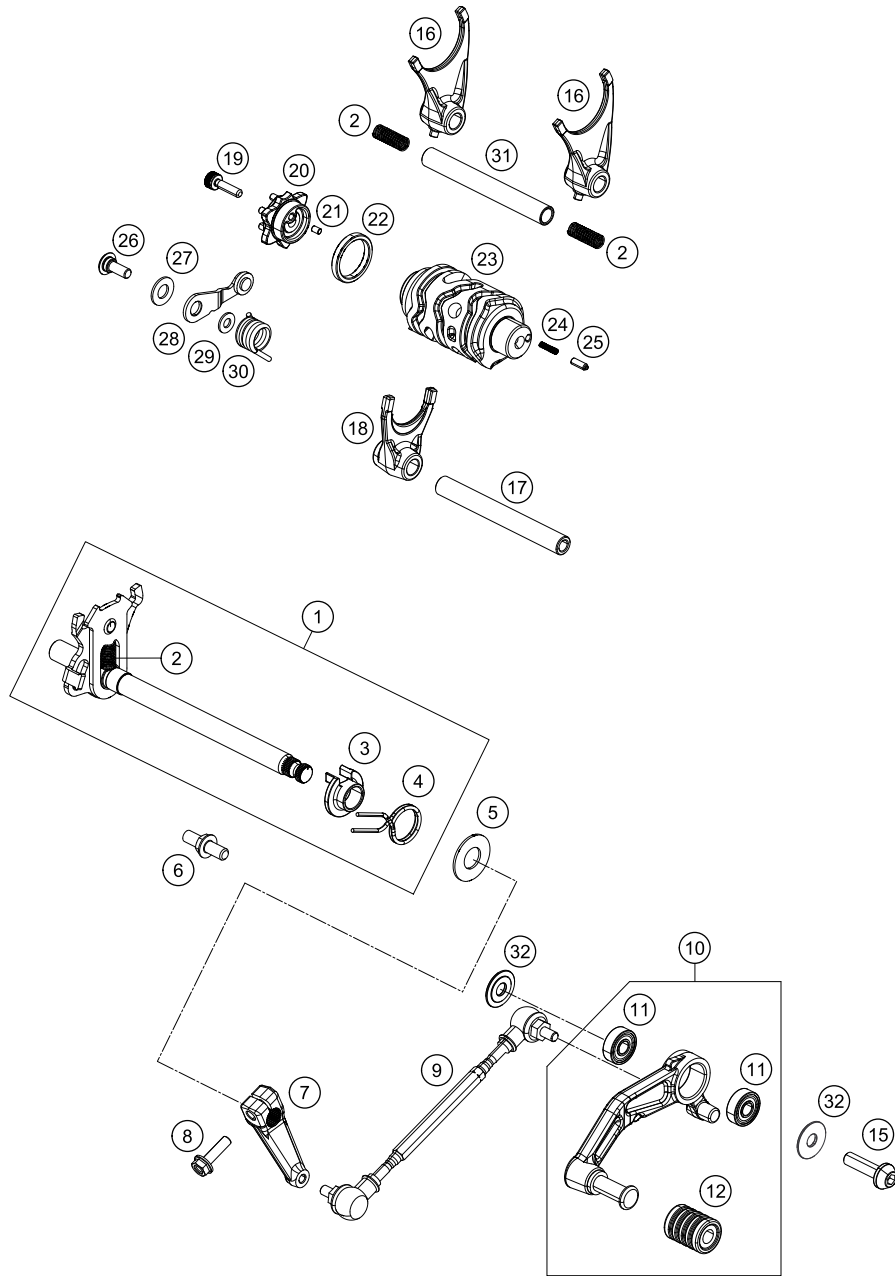
| POS | PARTNUMBER | PARTNAME | PIECE |
|-----|-------------|-------------------------------|-------|
| 1 | 90233010010 | COUNTERSHAFT CPL. | 1 |
| 2 | 90233012001 | COLLAR BUSH | 1 |
| 3 | 90233012000 | GEAR 2ND DRIVEN | 1 |
| 4 | 90233016000 | GEAR 6TH DRIVEN | 1 |
| 5 | 90233014000 | GEAR 4TH DRIVEN | 1 |
| 6 | 90233037000 | THRUST WASHER | 1 |
| 7 | 90233013000 | GEAR 3RD DRIVEN | 1 |
| 8 | 90233013001 | COLLAR BUSH | 1 |
| 9 | J472023120 | CIRCLIP 23,5X1,2 | 1 |
| 10 | 90233015000 | GEAR 5TH DRIVEN | 1 |
| 11 | 90233011001 | COLLAR BUSH | 1 |
| 12 | 90233011000 | GEAR 1ST DRIVEN | 1 |
| 13 | 90233038000 | THRUST WASHER | 1 |
| 14 | 90233010001 | DEEP GROOVE BALL BEARING | 1 |
| 15 | J625063320 | BALL BEARING 22X56X16-C3L- | 1 |
| 16 | 90233030000 | BUSHING SPROCKET | 1 |
| 17 | 90833029044 | SPROCKET 15T W. LOCKING PLATE | 1 |
| 19 | 90110057000 | BOLT M6X10 | 2 |
| 20 | J770019515 | O-RING 19,5X1,5 | 1 |

149023360

C159023360

* NEW PART

X ON DEMAND



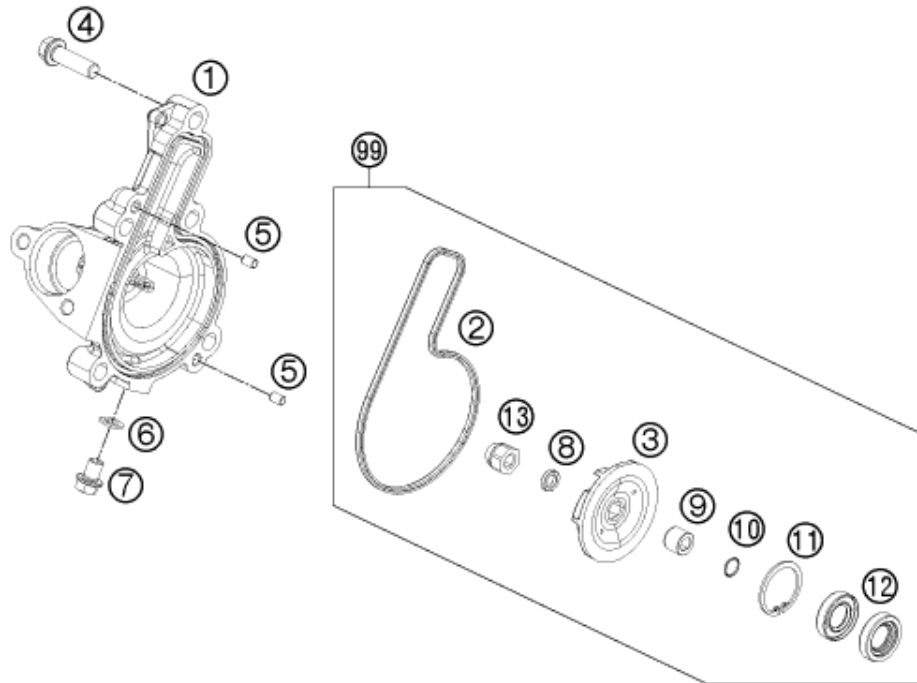
139023410

| POS | PARTNUMBER | PARTNAME | PIECE |
|-----|-------------|-----------------------------|-------|
| 1 | 90234005033 | SHIFT SHAFT CPL. | 1 |
| 2 | 90234039000 | SPRING SHIFT RAIL | 3 |
| 3 | 90134022000 | SPRING BUSHING | 1 |
| 4 | 90134014000 | RETURN SPRING | 1 |
| 5 | 90134050000 | STOP DISK 14X30X1,5 | 1 |
| 6 | 90134016000 | SPRING GUIDE | 1 |
| 7 | 90634031010 | BAFFLE SHIFT LEVER | 1 |
| 8 | J025060223 | HH COLLAR SCREW M6X22 SW10 | 1 |
| 9 | 90634040033 | TENSION ROD CPL. | 1 |
| 10 | 90134031133 | SHIFTING LEVER CPL. | 1 |
| 11 | J625060800 | BALL BEARING 608 | 2 |
| 12 | 90134035000 | RUBBER | 1 |
| 15 | 90134034300 | BOLT SHIFT LEVER | 1 |
| 16 | 90234002000 | SHIFT FORK | 2 |
| 17 | 90234019000 | SHIFT RAIL | 1 |
| 18 | 90234001000 | SHIFT FORK | 1 |
| 19 | 90134015003 | AH SCREW M6X20 SELF LOCKING | 1 |
| 20 | 90134015000 | SHIFT DRUM LOCATING | 1 |
| 21 | 90134013000 | PARALLEL PIN | 1 |
| 22 | 90134012002 | SPACER | 1 |
| 23 | 90234012000 | SHIFTING DRUM | 1 |
| 24 | 90634012003 | CONTACT SPRING | 1 |
| 25 | 90134012001 | BOLT FOR GEAR INDICATOR | 1 |
| 26 | 90134025000 | SCREW LOCKING LEVER | 1 |
| 27 | 90134030000 | WASHER LOCKING LEVER | 1 |
| 28 | 90134024033 | LOCKING LEVER CPL. | 1 |
| 29 | 90134039000 | WASHER 6X12,8X1,2 | 1 |
| 30 | 90134023000 | ARRESTING LEVER SPRING | 1 |
| 31 | 90234020000 | SHIFT RAIL | 1 |
| 32 | 90134031020 | WASHER SHIFTING LEVER | 2 |

C139023410

* NEW PART

X ON DEMAND



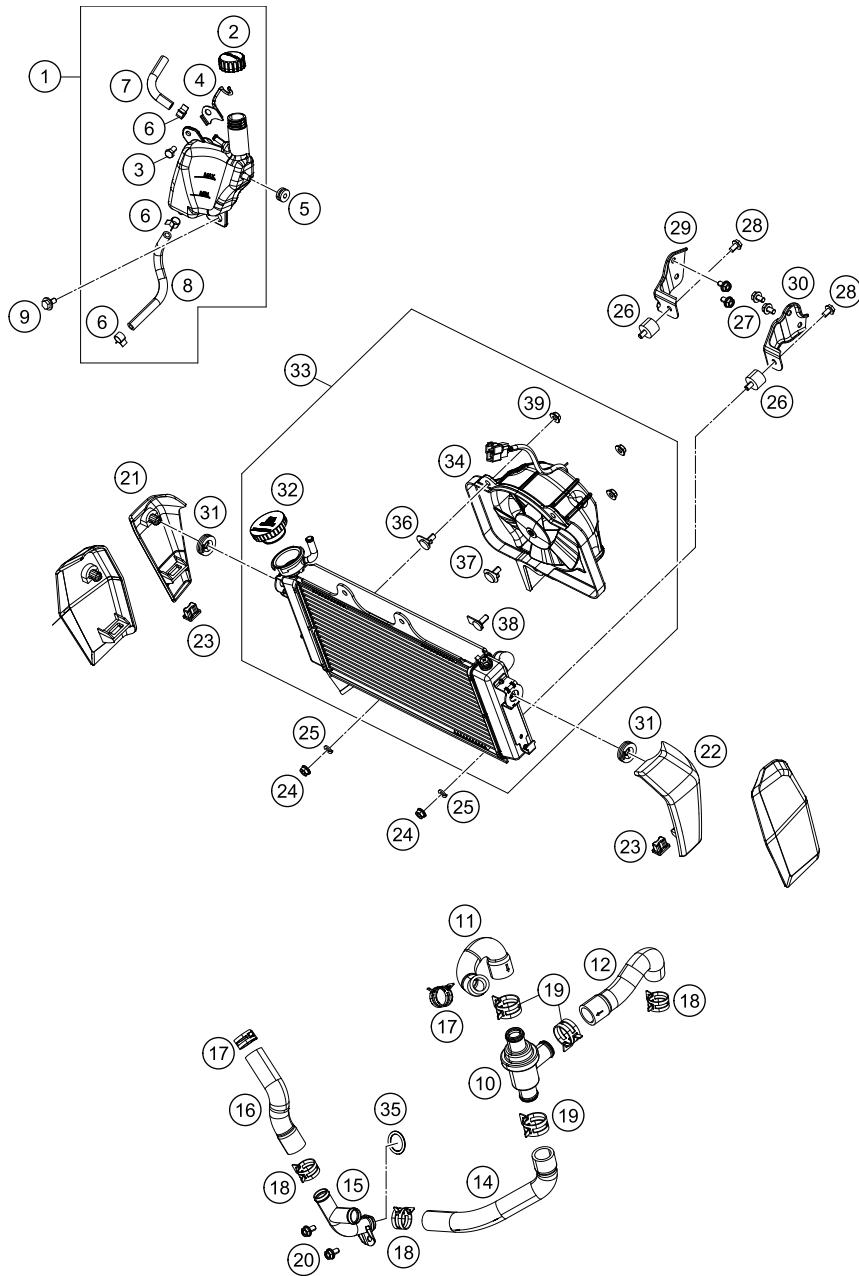
| POS | PARTNUMBER | PARTNAME | PIECE |
|-----|-------------|------------------------------|-------|
| 1 | 91235052000 | WATER PUMP COVER | 1 |
| 2 | 90135053000 | WATER PUMP COVER GASKET | 1 |
| 3 | 90135055000 | WATER PUMP ROTOR | 1 |
| 4 | J025060206 | HH COLLAR SCREW M6X20 SW10 | 5 |
| 5 | 90134013000 | PARALLEL PIN | 2 |
| 6 | J603061001 | COPPER GASKET | 1 |
| 7 | 90110057000 | BOLT M6X10 | 1 |
| 8 | 90130055006 | SPACER SHIM | 1 |
| 9 | 90130055204 | SLEEVE BALANCER DRIVEN | 1 |
| 10 | J770007075 | O-RING 7X0,75 | 1 |
| 11 | J472025120 | CIRCLIP 25X1,2 | 1 |
| 12 | J760122455 | SHAFT SEALING RING 12X24X5,5 | 2 |
| 13 | 90135058000 | DOME NUT WAPU-WHEEL | 1 |
| 99 | 90135055010 | WATER PUMP REP. KIT DUKE | x |

119013510

C159023510

* NEW PART

X ON DEMAND



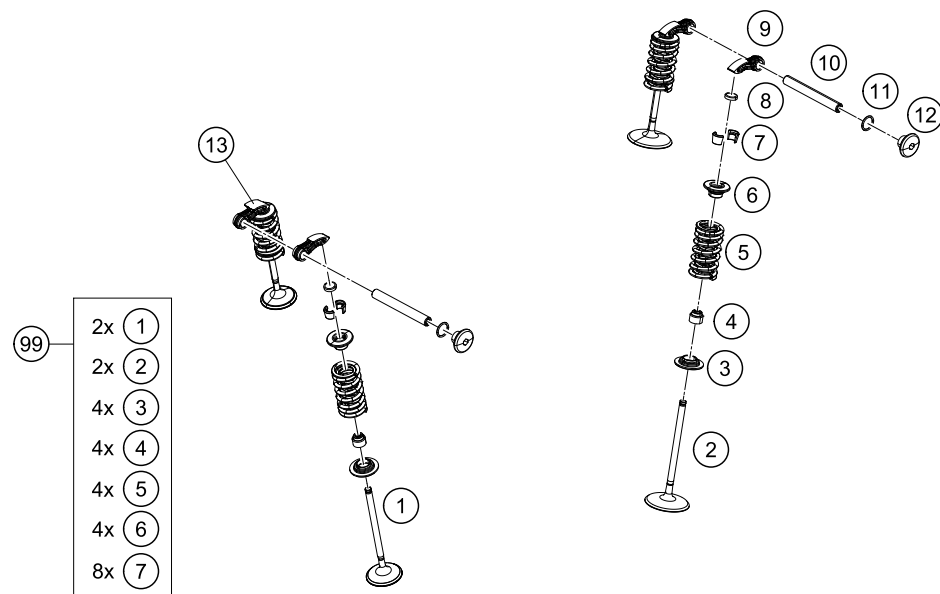
159023530

| POS | PARTNUMBER | PARTNAME | PIECE |
|-----|-------------|--------------------------------|-------|
| 1 | 90135065033 | EXPANSION RESERVOIR CPL. | 1 |
| 2 | 90135066000 | PLUG F. EXPANSION TANK | 1 |
| 3 | J025060126 | HH COLLAR SCREW M6X12 SW10 | 1 |
| 4 | 90103001033 | BRACKET TUBE DRAIN | 1 |
| 5 | 90135065050 | GROMMET EXPANSION TANK | 1 |
| 6 | 90107018011 | CLAMP 10MM | 4 |
| 7 | 90135067000 | HOSE 6X10,5X80 MM | 1 |
| 8 | 90135067050 | HOSE 6X10X154 MM | 1 |
| 9 | 90135074000 | SPECIAL SCREW M6X12 FLANGED | 1 |
| 10 | 90135017000 | THERMOSTAT | 1 |
| 11 | 90235024020 | HOSE COOLANT THERM. - RADIATOR | 1 |
| 12 | 90235025000 | HOSE COOLANT ENGINE - THERM. | 1 |
| 14 | 90235024010 | HOSE COOLANT THERM. TO T-PIPE | 1 |
| 15 | 90135026000 | COOLING PIPE "T" CPL. | 1 |
| 16 | 90235024030 | HOSE COOLANT RADIATOR - T-PIPE | 1 |
| 17 | 90135020002 | HOSE CLAMP D24 | 2 |
| 18 | 90135020001 | HOSE CLAMP D26 | 3 |
| 19 | 90135020003 | HOSE CLAMP D28 | 3 |
| 20 | 90135099000 | COLLAR SCREW M6X12 | 2 |
| 21 | 90108061000 | RADIATOR PROTECTOR R/S | 1 |
| 22 | 90108060000 | RADIATOR PROTECTOR L/S | 1 |
| 23 | 90108060002 | DAMP. RUBBER II RADIATOR PROT | 2 |
| 24 | J926060000 | FLANGED NUT M6 WS10 SELF LOCK. | 4 |
| 25 | J127060003 | WASHER SPRING B6 | 4 |
| 26 | 90235001001 | SILENT BUSH M6 | 4 |
| 27 | J025060103 | HH COLLAR SCREW M6X10 SW10 | 4 |
| 28 | J026060083 | HH COLLAR SCREW M6X8 SW10 | 4 |
| 29 | 90203006001 | RADIATOR SUPPORT R/S BELOW | 1 |
| 30 | 90203005001 | RADIATORSUPPORT L/S BELOW | 1 |
| 31 | 90108060001 | DAMPING RUBBER I RADIATOR PROT | 2 |
| 32 | 90135016100 | RADIATOR CAP | 1 |
| 33 | 90235010133 | RADIATOR CPL. WITH FAN | 1 |
| 34 | 90835041033 | FAN CPL. | 1 |
| 35 | J770018530 | O-RING 18,5X3 | 1 |
| 36 | 90835041001 | BRACKET FAN MOUNTING 1 | 1 |
| 37 | 90835041002 | BRACKET FAN MOUNTING 2 | 1 |
| 38 | 90835041003 | BRACKET FAN MOUNTING 3 | 1 |
| 39 | 90835041004 | FLANGED NUT | 4 |

C159023530

* NEW PART

X ON DEMAND



- | | |
|----|---|
| 2x | 1 |
| 2x | 2 |
| 4x | 3 |
| 4x | 4 |
| 4x | 5 |
| 4x | 6 |
| 8x | 7 |

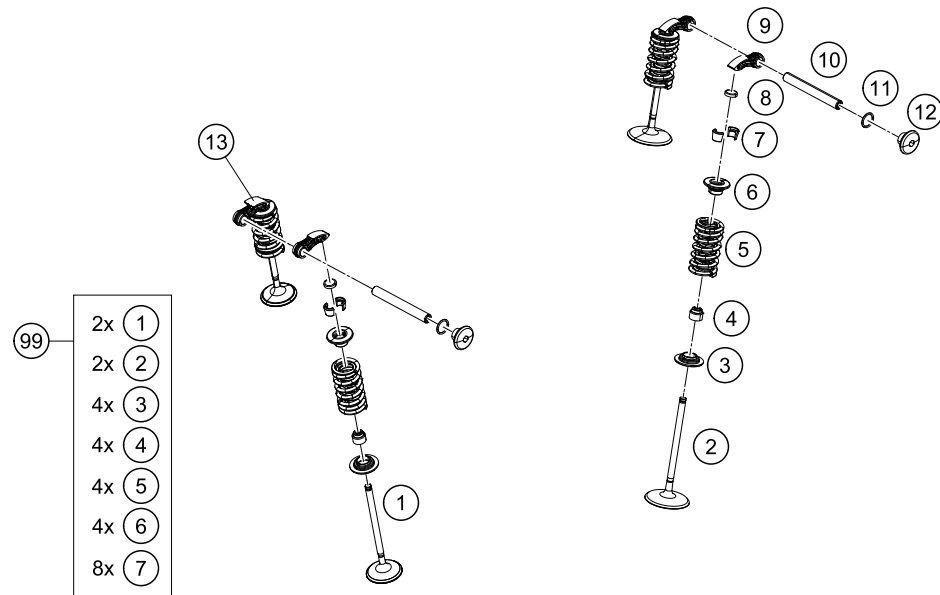
| POS | PARTNUMBER | PARTNAME | PIECE |
|-----|-------------|-----------------------|-------|
| 1 | 90236031000 | EXHAUST VALVE | 2 |
| 2 | 90236030000 | INTAKE VALVE | 2 |
| 3 | 90236036000 | VALVE SPRING HOLDER | 4 |
| 4 | 90236027000 | SEAL VALVE STEM | 4 |
| 5 | 90236028010 | VALVE SPRING SET | 4 |
| 6 | 90236032000 | VALVE SPRING RETAINER | 4 |
| 7 | 90236033000 | COTTER VALVE | 8 |
| 8 | 60036035185 | SHIM D=10/1,85 03 | X |
| 8 | 60036035190 | SHIM D=10/1,90 03 | X |
| 8 | 60036035195 | SHIM D=10/1,95 03 | X |
| 8 | 60036035200 | SHIM D=10/2,00 03 | X |
| 8 | 60036035205 | SHIM D=10/2,05 03 | X |
| 8 | 60036035210 | SHIM D=10/2,10 03 | X |
| 8 | 60036035215 | SHIM D=10/2,15 03 | X |
| 8 | 60036035220 | SHIM D=10/2,20 03 | X |
| 8 | 60036035225 | SHIM D=10/2,25 03 | X |
| 8 | 60036035230 | SHIM D=10/2,30 03 | X |
| 8 | 60036035235 | SHIM D=10/2,35 03 | X |
| 8 | 60036035240 | SHIM D=10/2,40 03 | X |
| 8 | 60036035245 | SHIM D=10/2,45 03 | X |
| 8 | 60036035250 | SHIM D=10/2,50 03 | X |
| 8 | 60036035255 | SHIM D=10/2,55 03 | X |
| 8 | 60036035260 | SHIM D=10/2,60 03 | X |
| 8 | 60036035265 | SHIM D=10/2,65 03 | X |
| 8 | 60036035270 | SHIM D=10/2,70 03 | X |
| 8 | 60036035275 | SHIM D=10/2,75 03 | X |
| 8 | 60036035280 | SHIM D=10/2,80 03 | X |
| 8 | 60036035285 | SHIM D=10/2,85 03 | X |
| 8 | 60036035290 | SHIM D=10/2,90 03 | X |
| 8 | 60036035295 | SHIM D=10/2,95 03 | X |
| 8 | 60036035300 | SHIM D=10/3,00 03 | X |
| 8 | 60036035305 | SHIM D=10/3,05 03 | X |
| 8 | 60036035310 | SHIM D=10/3,10 03 | X |
| 8 | 60036035315 | SHIM D=10/3,15 03 | X |
| 8 | 60036035320 | SHIM D=10/3,20 03 | X |
| 8 | 60036035330 | SHIM D=10/3,3 | X |
| 9 | 90136060000 | VALVE LEVER | 3 |
| 10 | 90236056000 | VALVE LEVER SHAFT | 2 |

139023610

C139023610

* NEW PART

X ON DEMAND



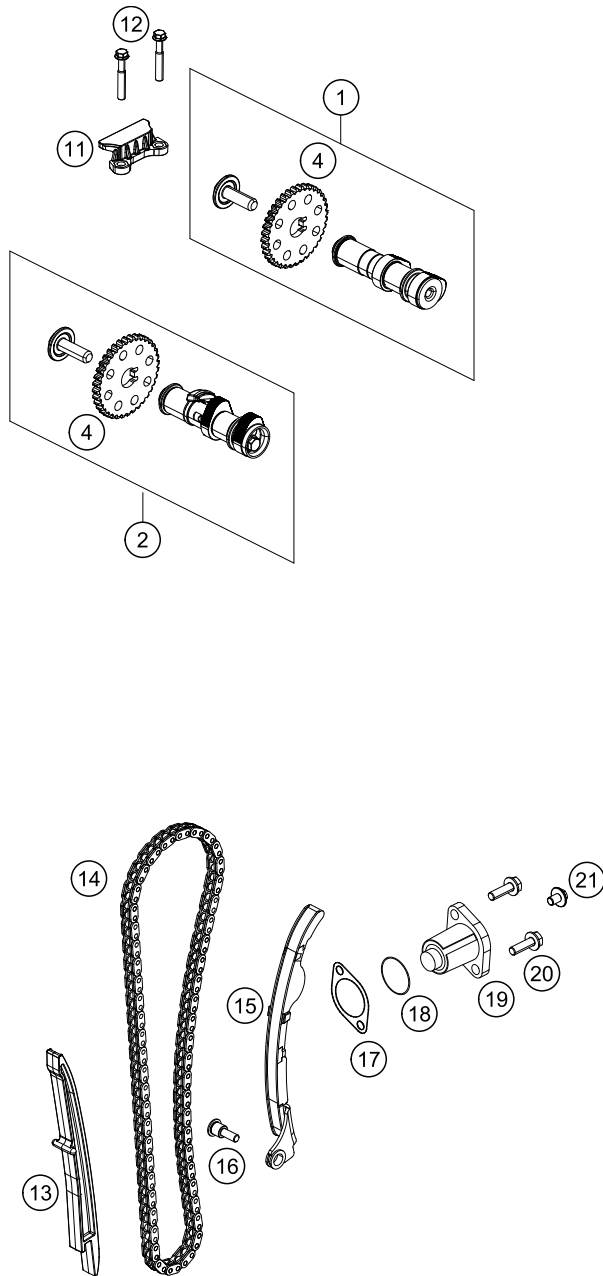
| POS | PARTNUMBER | PARTNAME | PIECE |
|-----|-------------|--------------------|-------|
| 11 | J770010312 | O-RING 10,3X1,2 MM | 2 |
| 12 | 90136056001 | SCREW PLUG | 2 |
| 13 | 90236060000 | VALVE LEVER | 1 |
| 99 | 90236030010 | VALVE KIT 390 DUKE | x |

139023610

C139023610

* NEW PART

X ON DEMAND



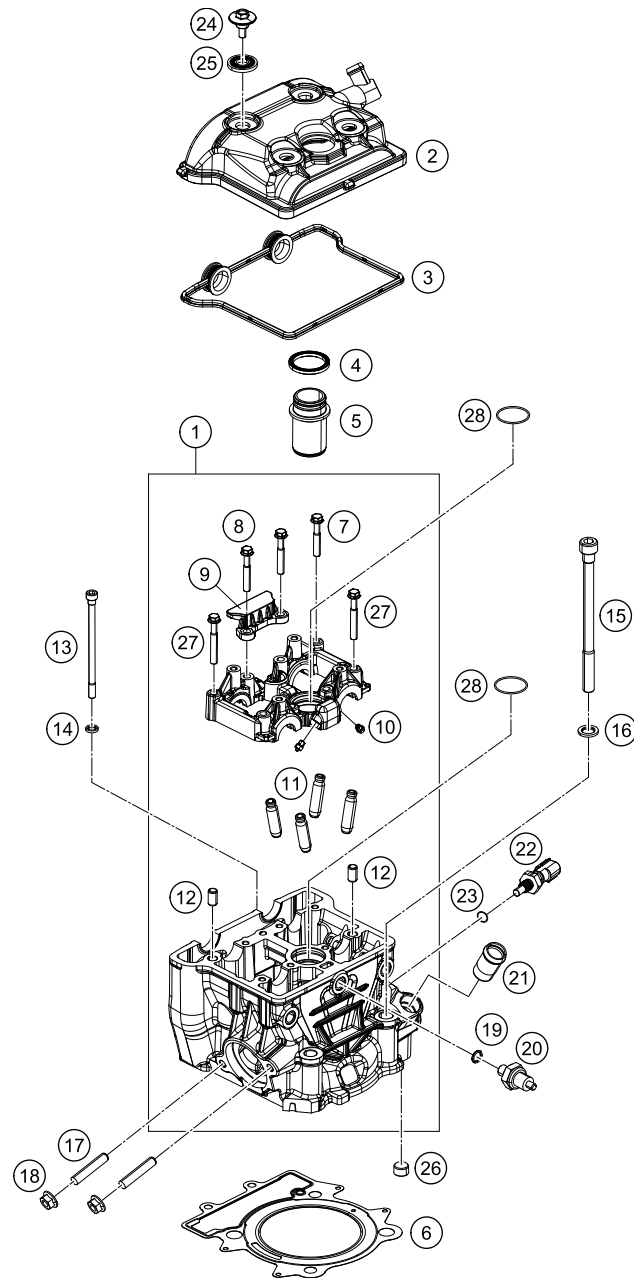
| POS | PARTNUMBER | PARTNAME | PIECE |
|-----|-------------|-----------------------|-------|
| 1 | 90236009133 | CAMSHAFT INTAKE CPL. | 1 |
| 2 | 90236010233 | CAMSHAFT EXHAUST CPL. | 1 |
| 4 | 90236009003 | SPROCKET CAMSHAFT | 2 |
| 11 | 90236018000 | CHAIN GUIDE TOP | 1 |
| 12 | J025060401 | HH COLLAR SCREW M6X40 | 2 |
| 13 | 90236001000 | TIMING CHAIN GUIDE | 1 |
| 14 | 90236013000 | TIMING CHAIN | 1 |
| 15 | 90236002000 | TENSIONER RAIL CPL. | 1 |
| 16 | 90236002004 | SCREW TENSIONER RAIL | 1 |
| 17 | 90136003003 | GASKET CHAIN ADJUSTER | 1 |
| 18 | J770010015 | O-RING 10,15X1,5 | 1 |
| 19 | 90236003044 | CHAIN ADJUSTER | 1 |
| 20 | J025060201 | HH COLLAR SCREW M6X20 | 2 |
| 21 | 90136003002 | SPECIAL SCREW 6X6 | 1 |

159023620

C159023620

* NEW PART

X ON DEMAND



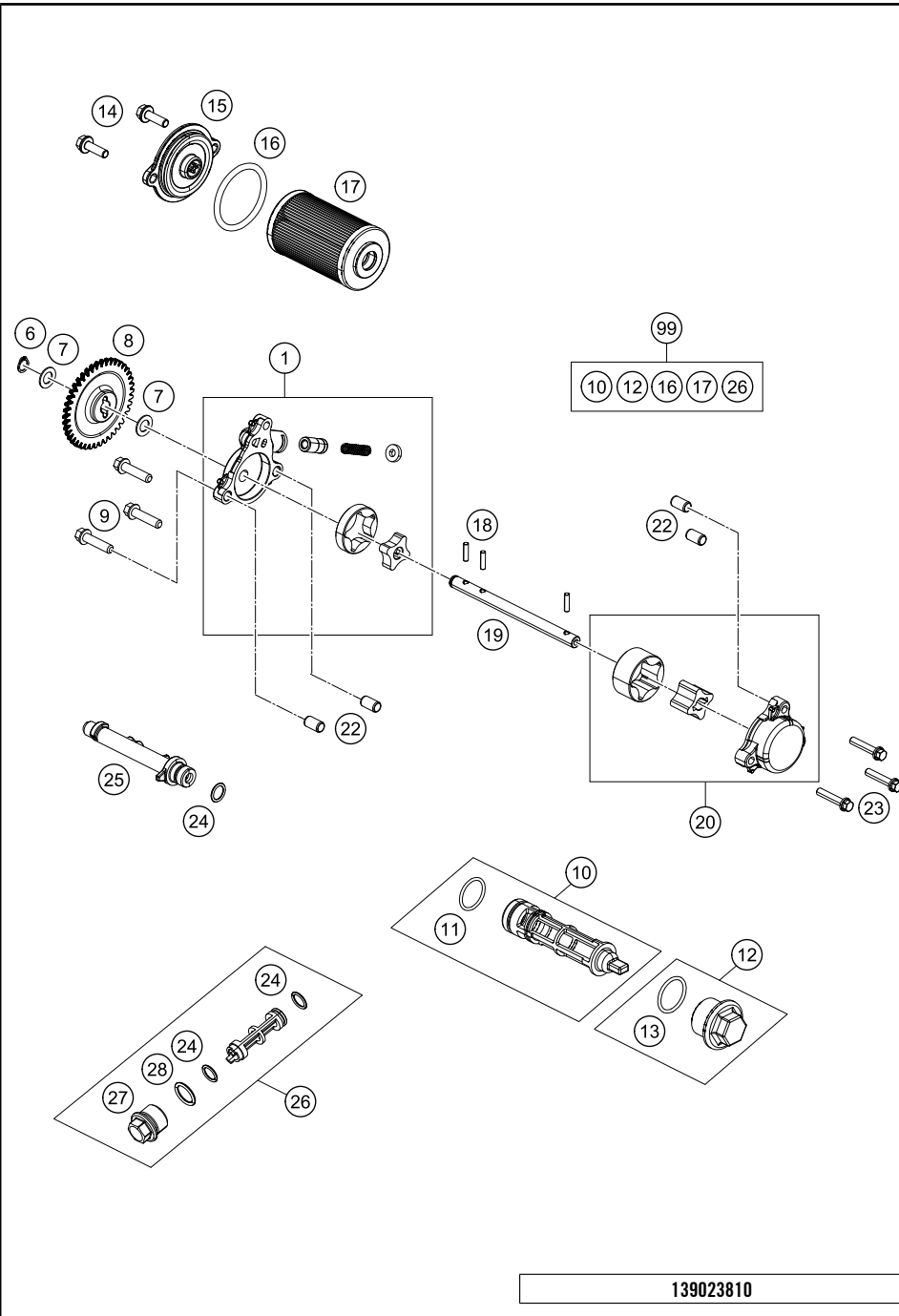
139023630

| POS | PARTNUMBER | PARTNAME | PIECE |
|-----|-------------|---------------------------|-------|
| 1 | 90236020033 | CYLINDER HEAD CPL. | 1 |
| 2 | 90236052000 | VALVE COVER CPL. | 1 |
| 3 | 90236053000 | GASKET VALVE COVER | 1 |
| 4 | 90236054000 | GASKET SPARK PLUG SHAFT | 1 |
| 5 | 90236074000 | SPARK PLUG SHAFT | 1 |
| 6 | 90230036000 | CYLINDER HEAD GASKET | 1 |
| 7 | J025060356 | HH-COLLAR SCREW M6X35 WS8 | 4 |
| 8 | J025060401 | HH COLLAR SCREW M6X40 | 2 |
| 9 | 90236018000 | CHAIN GUIDE TOP | 1 |
| 10 | 90130064000 | OIL JET | 4 |
| 11 | 90236025000 | VALVE GUIDE | 4 |
| 12 | 90130024000 | PIN DOWEL 8X6,4X14MM | 2 |
| 13 | J912061023 | SOCKET HEAD SCREW M6X102 | 2 |
| 14 | J125070003 | WASHER 7X11X2 | 2 |
| 15 | J912101449 | SOCKET HEAD SCREW M10X144 | 4 |
| 16 | J125110003 | WASHER 11,2X18X2 | 4 |
| 17 | 90136020001 | STUD M8 | 2 |
| 18 | 90136038000 | FLANGED NUT M8 H7,5 WS12 | 2 |
| 19 | 90138091001 | O-RING | 1 |
| 20 | 90138091000 | OIL PRESSURE SENSOR | 1 |
| 21 | 90235019000 | PIPE COOLANT | 1 |
| 22 | 90135047000 | TEMPERATURE SENSOR | 1 |
| 23 | 90135047001 | O-RING | 1 |
| 24 | 90136052020 | VALVE COVER SCREW | 4 |
| 25 | 90136052010 | DECOUPLING ELEMENT | 4 |
| 26 | 90236024000 | PLUG | 1 |
| 27 | J025060453 | HH COLLAR SCREW M6X45 | 2 |
| 28 | J770029819 | O-RING 29,8X1,9 | 2 |

C139023630

* NEW PART

X ON DEMAND



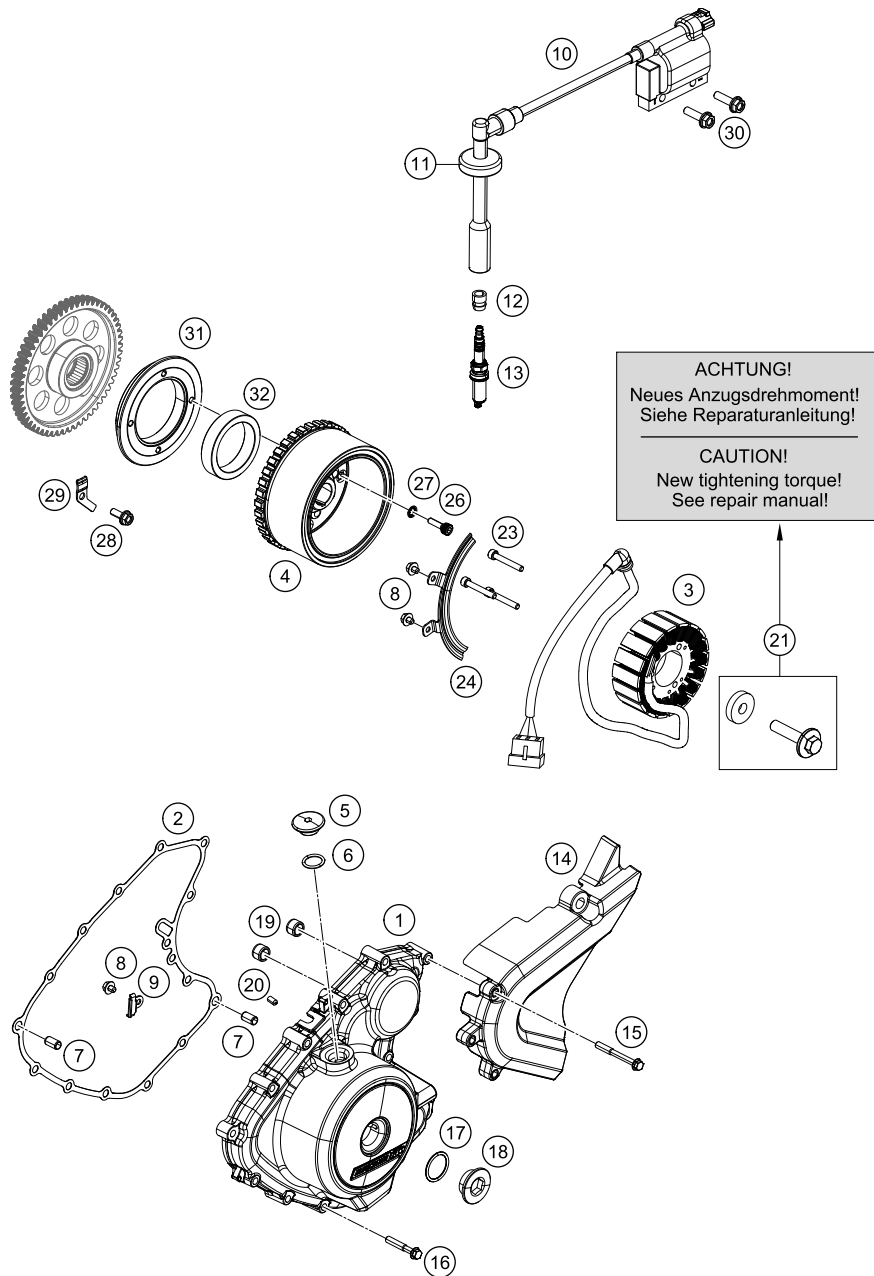
| POS | PARTNUMBER | PARTNAME | PIECE |
|-----|-------------|--------------------------------|-------|
| 1 | 90238010044 | OIL PUMP CPL. | 1 |
| 6 | J471010100 | SEEGERRING 10X1,0 | 1 |
| 7 | J125100006 | WASHER 10,2X18X1 | 2 |
| 8 | 90238001000 | GEAR OIL PUMP | 1 |
| 9 | J028060303S | HH COLLAR SCREW M6X30 WS8 | 3 |
| 10 | 90238015033 | MESH STRAINER CPL. | 1 |
| 11 | J770017721 | O-RING 17,7X2,1 MM | 1 |
| 12 | 90138015050 | CLOSURE CAP OIL SCREEN | 1 |
| 13 | 90138015052 | O-RING | 1 |
| 14 | J025050166 | HH COLLAR SCREW M5X16 SW8 | 2 |
| 15 | 90138015060 | OIL FILTER COVER | 1 |
| 16 | J770039326 | O-RING 39,34X2,62 | 1 |
| 17 | 90138015000 | OIL FILTER | 1 |
| 18 | 90238003000 | PARALLEL PIN | 3 |
| 19 | 90238002000 | SHAFT OIL PUMP | 1 |
| 20 | 90238008044 | OIL PUMP CPL. | 1 |
| 22 | 90130024000 | PIN DOWEL 8X6,4X14MM | 4 |
| 23 | J028060303S | HH COLLAR SCREW M6X30 WS8 | 3 |
| 24 | J7700090151 | O-RING 9X1,5 | 3 |
| 25 | 90238013000 | OIL RAIL | 1 |
| 26 | 90238016044 | MESH STRAINER CPL. | 1 |
| 27 | 90238017000 | CAP STRAINER | 1 |
| 28 | J770012520 | O-RING 12,5X2 | 1 |
| 99 | 90238015010 | OILFILTER SERVICE KIT 390 DUKE | x |

139023810

C139023810

* NEW PART

X ON DEMAND



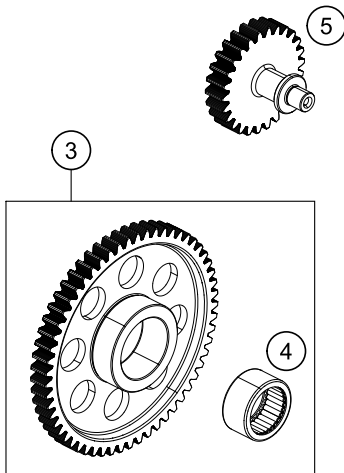
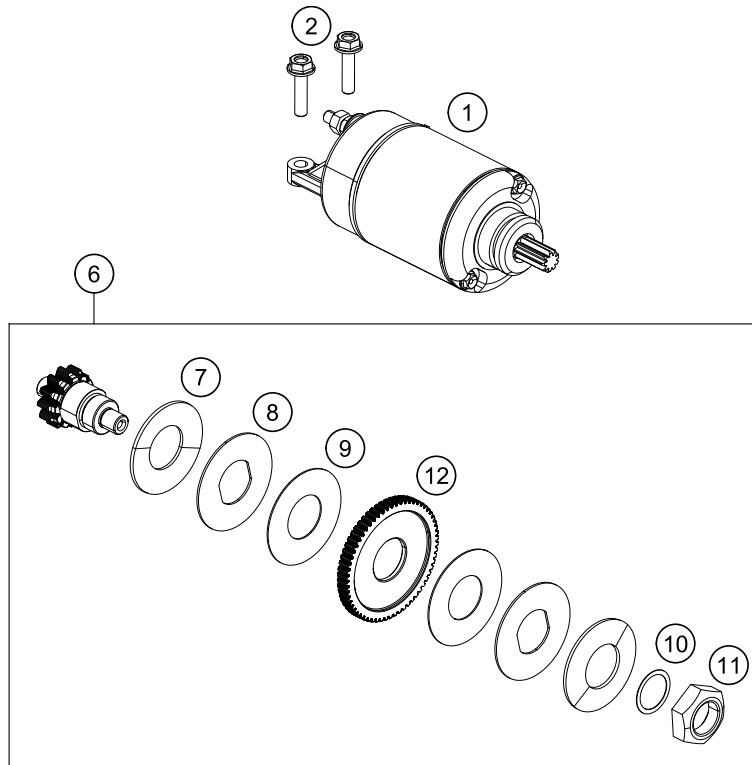
139023910

| POS | PARTNUMBER | PARTNAME | PIECE |
|-----|-------------|----------------------------|-------|
| 1 | 90230002133 | IGNITION COVER WITH PLUG | 1 |
| 2 | 90230040000 | GASKET IGNITION COVER | 1 |
| 3 | 90239004100 | STATOR CPL. | 1 |
| 4 | 90239005000 | ROTOR CPL. | 1 |
| 5 | 90139010000 | PLUG | 1 |
| 6 | J770015824 | O-RING 15,8X2,4 | 1 |
| 7 | 90130024000 | PIN DOWEL 8X6,4X14MM | 2 |
| 8 | J025060083S | HH COLLAR SCREW M6X8 | 3 |
| 9 | 90230062000 | BRACKET HARNESS MAGNETO | 1 |
| 10 | 90239006044 | IGNITION COIL CPL. | 1 |
| 11 | 90239090001 | RUBBER GASKET SPARK PLUG | 1 |
| 12 | 90139093001 | RUBBER GASKET SPARK PLUG | 1 |
| 13 | 90239093000 | SPARK PLUG M12X1,25 | 1 |
| 14 | 90230060002 | CHAIN SPROCKET GUARD | 1 |
| 15 | J025060500 | FLANGED BOLT M6X50 WS8 | 3 |
| 16 | J025060350 | FLANGED BOLT M6X35 WS8 | 12 |
| 17 | J770024015 | O-RING 24X2,5 | 1 |
| 18 | 90230094000 | PLUG SCREW M24X1,5 | 1 |
| 19 | 90240018000 | BUSH STARTER SHAFT | 2 |
| 20 | 90230066300 | OIL NOZZLE | 1 |
| 21 | 90239005050 | ROTOR SCREW CPL. | 1 |
| 23 | 90530002010 | SOCKET HEAD BOLT M5X0,8X40 | 3 |
| 24 | 90230058000 | PLATE HARNESS MAGNETO | 1 |
| 26 | 90130001001 | SOCKET HEAD SCREW M6X20 | 4 |
| 27 | 90130001002 | TOOTHED LOCK WASHER | 4 |
| 28 | 90130059000 | HH COLLAR SCREW M6X16 | 1 |
| 29 | 90240020002 | RETAINER GEAR STARTER | 1 |
| 30 | J025060209 | HH COLLAR SCREW M6X20 | 2 |
| 31 | 90130001000 | SUPPORT FREEWHEEL CLUTCH | 1 |
| 32 | 90140026000 | FREEWHEEL CLUTCH | 1 |

C159023910

* NEW PART

X ON DEMAND



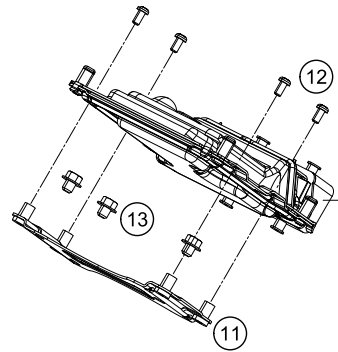
| POS | PARTNUMBER | PARTNAME | PIECE |
|-----|-------------|------------------------------|-------|
| 1 | 90240001044 | E-STARTER CPL. | 1 |
| 2 | J025060256 | HH COLLAR SCREW M6X25 SW10 | 2 |
| 3 | 90240020000 | GEAR STARTER CLUTCH CPL. | 1 |
| 4 | J618253216 | NEEDLE ROLLER BEARING HK2516 | 1 |
| 5 | 90240022000 | GEAR STARTER COUNTER | 1 |
| 6 | 90240023033 | GEAR STARTER COUNTER CPL. | 1 |
| 7 | 90240023006 | CONICAL WASHER | 2 |
| 8 | 90240023005 | WASHER | 2 |
| 9 | 90240023004 | PAD FRICTION | 2 |
| 10 | 90240023007 | SHIM STARTER 0,30MM | x |
| 10 | 90240023008 | SHIM STARTER 0,45MM | x |
| 10 | 90240023009 | SHIM STARTER 0,60MM | x |
| 10 | 90240023010 | SHIM STARTER 0,75MM | x |
| 11 | 90240023003 | NUT STARTER COUNTER | 1 |
| 12 | 90240023002 | GEAR STARTER COUNTER | 1 |

139024010

C139024010

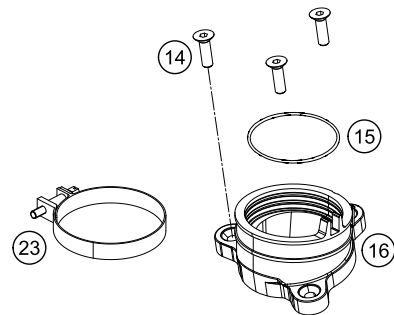
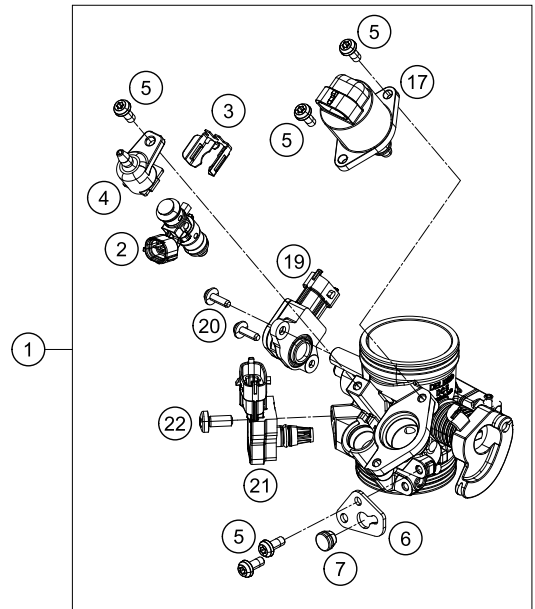
* NEW PART

X ON DEMAND



ACHTUNG !!!
 Steuergerät ist nur über 'Spezial-
 bestellung' im Dealer.net erhältlich. **!**

CAUTION !!!
 ECU is orderable in Dealer.net
 as 'special order' only.



139024110

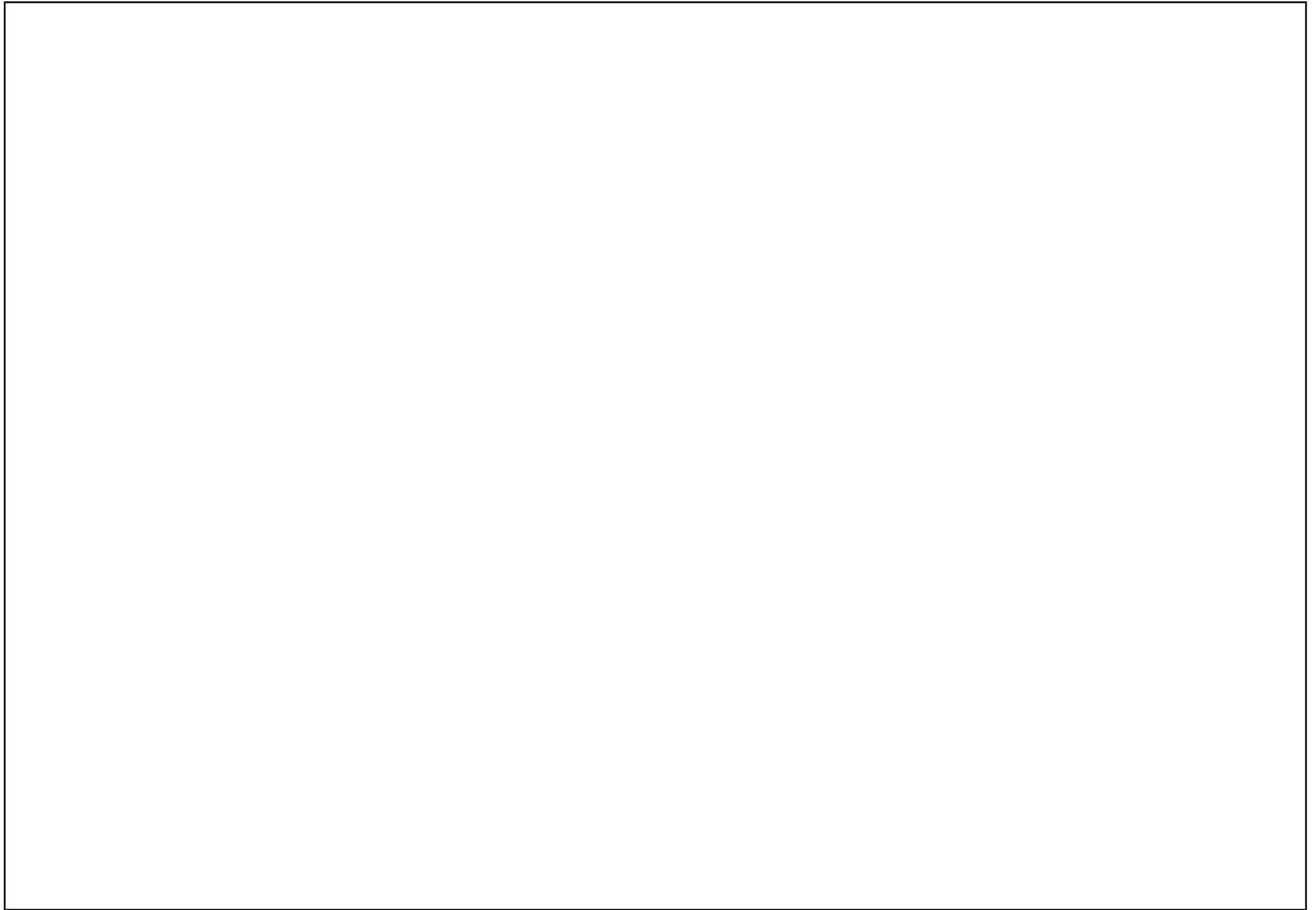
| POS | PARTNUMBER | PARTNAME | PIECE |
|-----|-------------|--------------------------|-------|
| 1 | 90241001000 | THROTTLE BODY CPL. | 1 |
| 2 | 90241023000 | FUEL INJECTOR | 1 |
| 3 | 90141001001 | INJECTOR CLIP | 1 |
| 4 | 90141023004 | CONNECTOR FUEL RAIL | 1 |
| 5 | 90141023005 | SPECIAL SCREW M5X12 | 5 |
| 6 | 90141023002 | CABLE SUPPORT | 1 |
| 7 | 90141023003 | GROMMET | 1 |
| 11 | 90141029000 | BRACKET TIMING CHARGER | 1 |
| 12 | J005040081 | FLAT HEAD SCREW M4X8 PH | 4 |
| 13 | J027050063 | HH COLLAR SCREW M5X6 SW8 | 3 |
| 14 | J991060203S | COUNTERSUNK SCREW M6X20 | 3 |
| 15 | J770053024 | O-RING 53X2,4 | 1 |
| 16 | 90241002000 | PIPE INTAKE | 1 |
| 17 | 90641072000 | IDLE ADJUSTER | 1 |
| 19 | 90141070000 | THROTTLE POSITION SENSOR | 1 |
| 20 | 90141070001 | SPECIAL SCREW M4X13 | 2 |
| 21 | 90141071000 | TMAP-SENSOR | 1 |
| 22 | 90141071001 | SPECIAL SCREW M6X14 | 1 |
| 23 | 90241002010 | HOSE CLAMP | 1 |

C139024110

* NEW PART

X ON DEMAND

A large, empty rectangular box with a thin black border, occupying the majority of the page. It is intended for the user to write their notes.





WWW.KTM.COM



KTM Sportmotorcycle GmbH
5230 Mattighofen, Austria
www.ktm.com



KTM_POWERPARTS

KTM_POWERWEAR

KTM_ORIGINAL SPARE PARTS



3CM0812700EN

Art. Nr.: 3CM0812700EN 27. Feb 2015