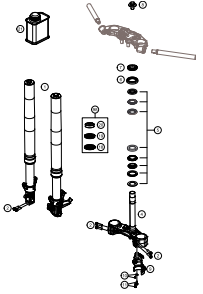
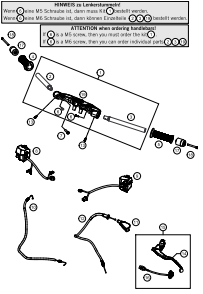
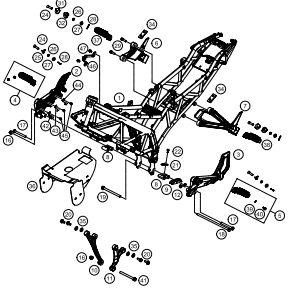
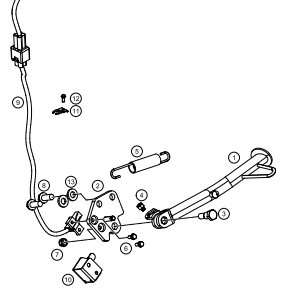
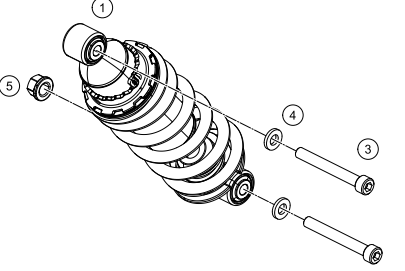
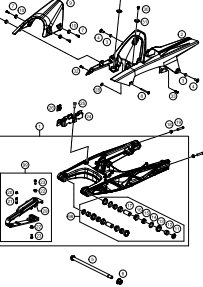
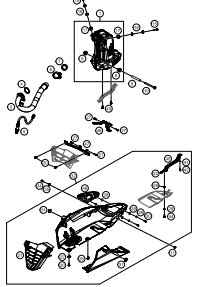
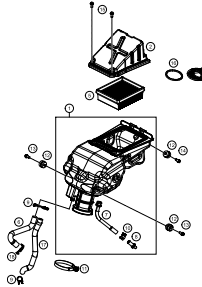
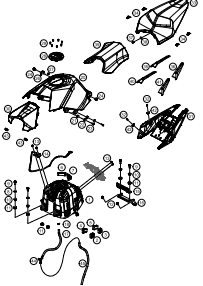
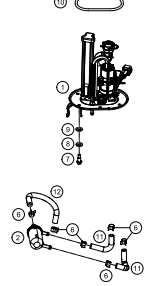
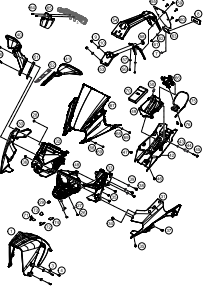
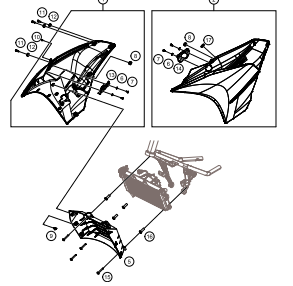
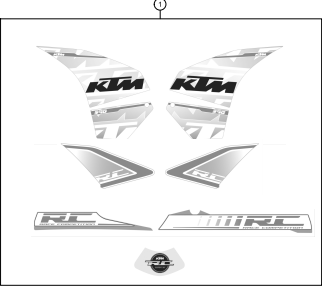
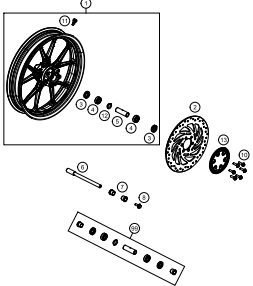
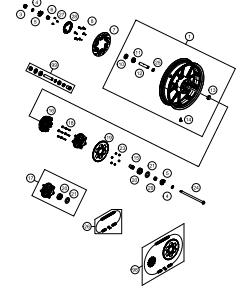
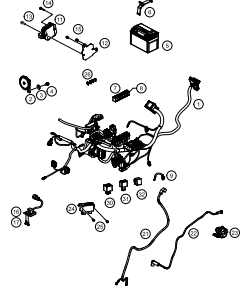
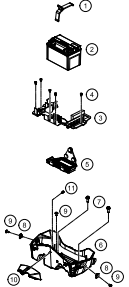
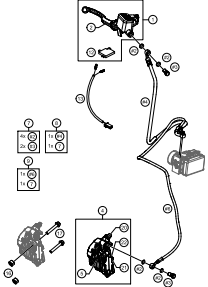
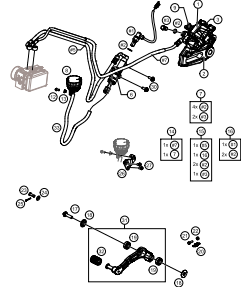
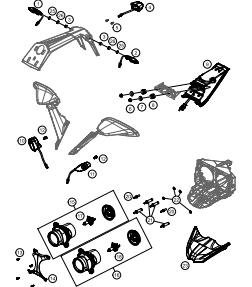
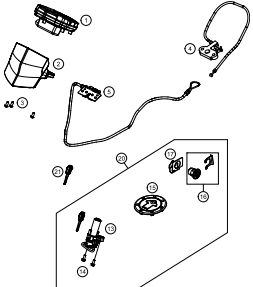
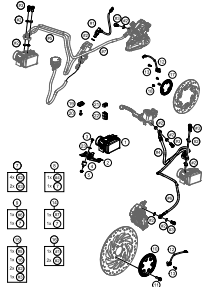
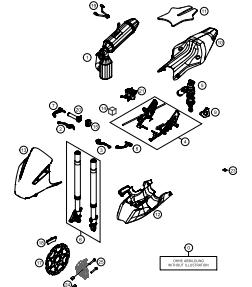


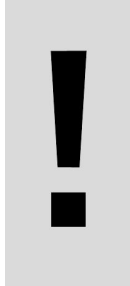
RC 390 ADAC CUP EU 2015

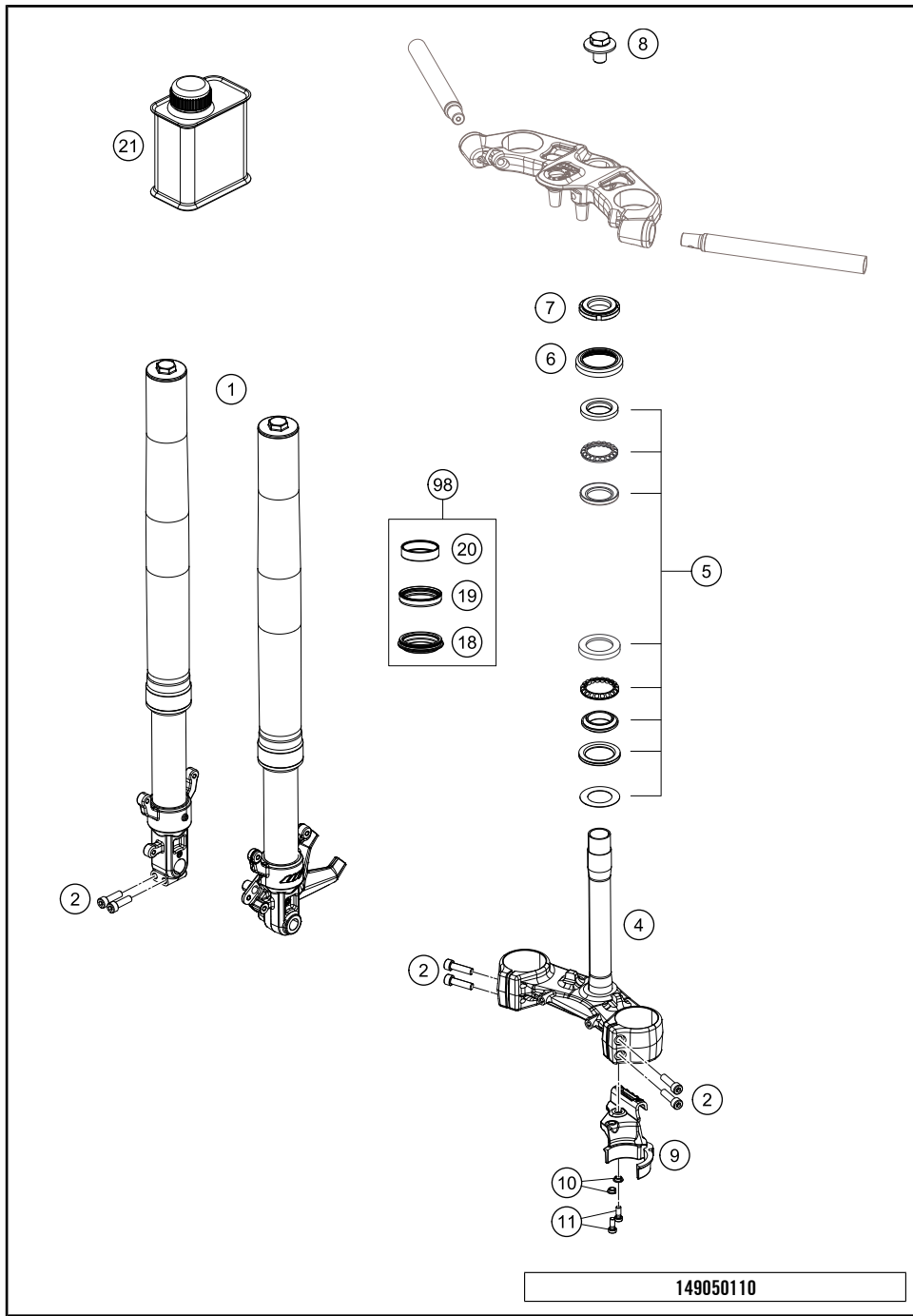
ART.-NR.: 3CFF539901EN



<p>FRONT FORK, TRIPLE CLAMP</p>  <p style="text-align: right;">4</p>	<p>HANDLEBAR, CONTROLS</p>  <p style="text-align: right;">5</p>	<p>FRAME</p>  <p style="text-align: right;">6</p>	<p>SIDE / CENTER STAND</p>  <p style="text-align: right;">8</p>
<p>SHOCK ABSORBER</p>  <p style="text-align: right;">9</p>	<p>SWING ARM</p>  <p style="text-align: right;">10</p>	<p>EXHAUST SYSTEM</p>  <p style="text-align: right;">11</p>	<p>AIR FILTER</p>  <p style="text-align: right;">12</p>
<p>TANK, SEAT, COVERS</p>  <p style="text-align: right;">13</p>	<p>FUEL PUMP</p>  <p style="text-align: right;">15</p>	<p>MASK, FENDERS</p>  <p style="text-align: right;">16</p>	<p>SIDE COVERS</p>  <p style="text-align: right;">18</p>

<p>DECAL</p>  <p>19</p>	<p>FRONT WHEEL</p>  <p>20</p>	<p>REAR WHEEL</p>  <p>21</p>	<p>WIRING HARNESS</p>  <p>22</p>
<p>BATTERY</p>  <p>23</p>	<p>BRAKE CALIPER FRONT</p>  <p>24</p>	<p>BRAKE CALIPER REAR</p>  <p>25</p>	<p>LIGHTING SYSTEM</p>  <p>26</p>
<p>INSTRUMENTS / LOCK SYSTEM</p>  <p>27</p>	<p>ANTIBLOCK SYSTEM ABS</p>  <p>28</p>	<p>CONVERSION KIT "CUP BIKE"</p>  <p>29</p>	

		<p>All information contained is without obligation. KTM Sportmotorcycle GmbH particularly reserves the right to modify any equipment, technical specifications, prices, colors, shapes, materials, services, service work, constructions, equipment and the like so as to adapt them to local conditions or to cancel any of the above items, all without previous announcement and without giving reasons. KTM may stop manufacturing certain models without previous notice. KTM shall not be held liable for any deviations of availability and/or ability to deliver, illustrations, descriptions, printing and/or other errors. The illustrated models partly contain extra equipment, which is not applied to standard models.</p> <p>© by KTM Sportmotorcycle GmbH, Mattighofen AUSTRIA; All rights reserved; Reprint, also in extracts, with written allowance of KTM Sportmotorcycle GmbH, Mattighofen only.</p>	



POS	PARTNUMBER	PARTNAME	PIECE
1	90801001000	FORK LEG L/S CPL.	1
1	90801002000	FORK LEG R/S CPL.	1
2	90501045000	AH SCREW M8X1.25X30	6
4	9010103210033	LOWER TRIPLE CLAMP CPL.	1
5	90101080044	STEERING HEAD BEARING-KIT	x
6	90101086000	PROTECTION CAP	1
7	90101036000	ADJUSTING RING STEERING HEAD	1
8	90501044000	SCREW STEERING HEAD	1
9	90113055000	HOSE CLAMP	1
10	90113055010	SLEEVE FOR HOSE CLAMP	2
11	J021060156	AH SCREW M6X15 10.9	2
18	43570624	DUST CAP 43X53,4X5,8	2
19	43570623	OIL SEAL RING 43X52,9X11,4	2
20	43570618	GUIDE BUSHING 43X47X12	2
21	48601166S1	FORK OIL SAE4 5L	1
98	90101000010	REP. KIT FORK KPL.	x

149050110

C149080110

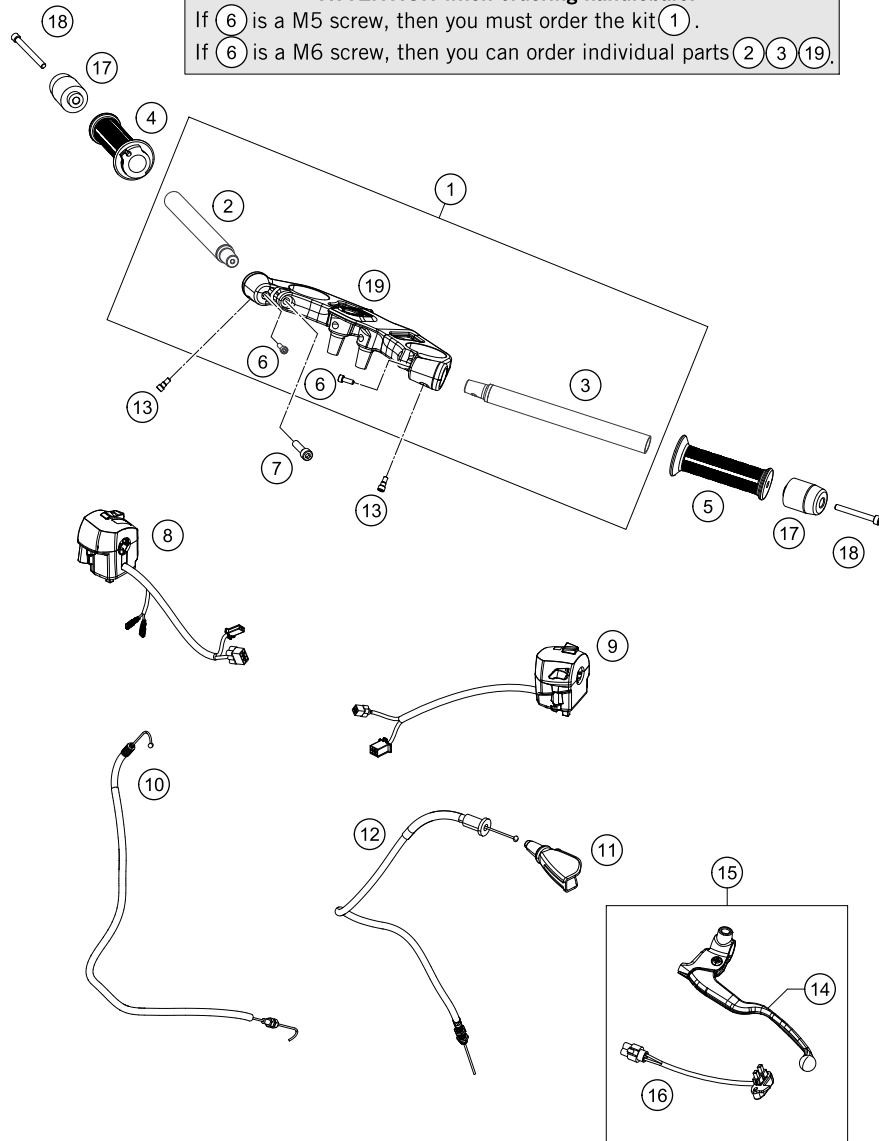
* NEW PART X ON DEMAND

HINWEIS zu Lenkerstummeln!

Wenn (6) eine M5 Schraube ist, dann muss Kit (1) bestellt werden.
 Wenn (6) eine M6 Schraube ist, dann können Einzelteile (2) (3) (19) bestellt werden.

ATTENTION when ordering handlebars!

If (6) is a M5 screw, then you must order the kit (1).
 If (6) is a M6 screw, then you can order individual parts (2) (3) (19).



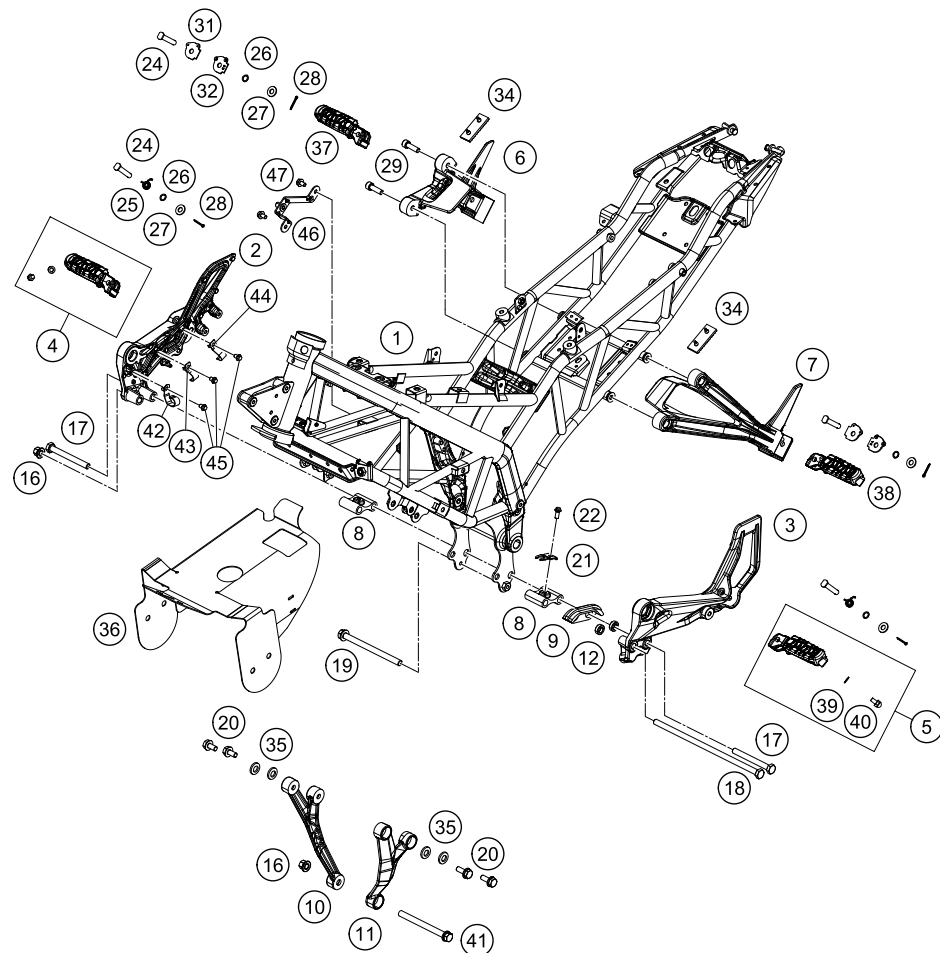
159080212

POS	PARTNUMBER	PARTNAME	PIECE
1	90801034044	UPPER TRIPLE CLAMP w HANDLEBAR	1
2	90802201100	HANDLEBAR RC390 RH	1
3	90802005000	HANDLEBAR L/S	1
4	90802010000	THROTTLE GRIP	1
5	90802039000	HAND GRIP L/S	1
6	90511006100	BOLT SOCKET M6X1X14	2
7	90501045000	AH SCREW M8X1.25X30	2
8	90511074000	START-EMERGENCY STOP SWITCH	1
9	90511070000	LIGHT SWITCH	1
10	90502091100	THROTTLE CABLE	1
11	90102016000	PROTECTION CAP THROTTLE CABLE	1
12	90802090000	CLUTCH CABLE	1
13	90511006000	SPECIAL SCREW M5x0,8X13	2
14	90502042000	CLUTCH LEVER	1
15	90502031000	CLUTCH LEVER CPL.	1
16	90511049000	CLUTCH SWITCH	1
17	90202004001	HANDLEBAR WEIGHT	2
18	J912060503	AH SCREW M6X50	2
19	90501034135	TOP TRIPLE CLAMP	1

C149080210

* NEW PART

X ON DEMAND



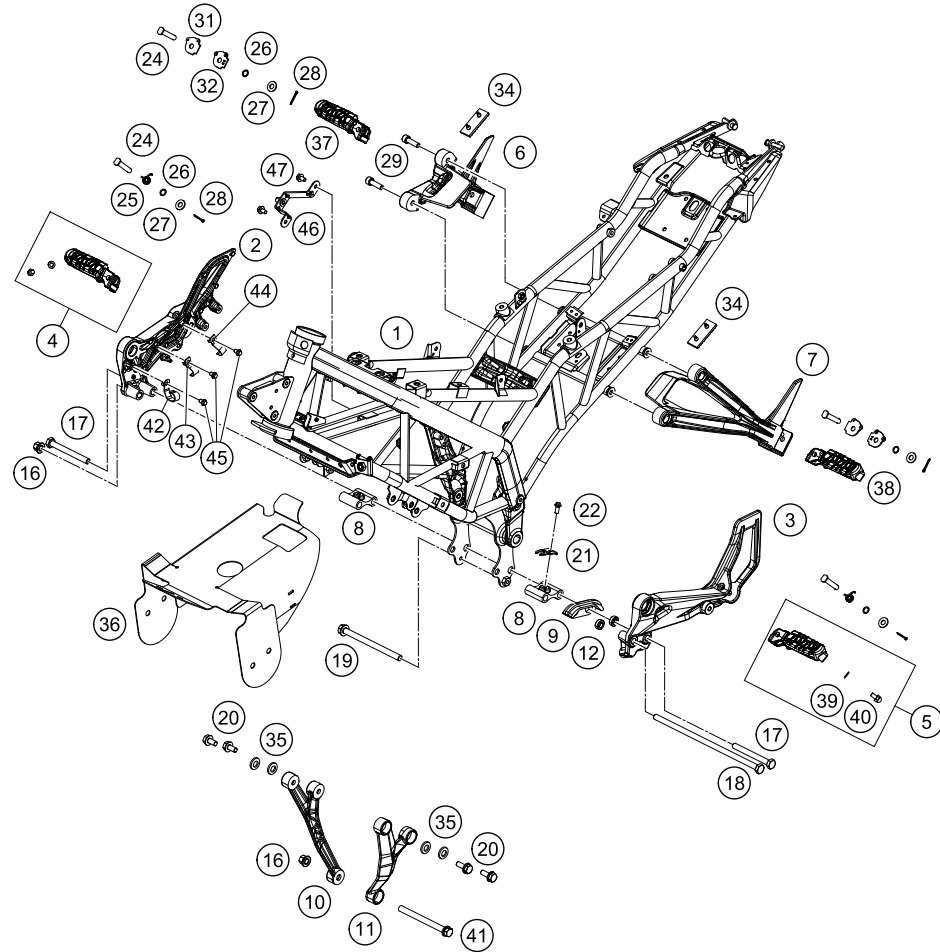
149050311

POS	PARTNUMBER	PARTNAME	PIECE
1	90503001100	FRAME	1
2	90503039000	FOOTREST BRACKET FRONT R/S	1
3	90503038000	FOOTREST BRACKET FRONT L/S	1
4	90103041033	FOOTREST FRONT R/S CPL.	x
5	90103040033	FOOTREST FRONT L/S CPL.	x
6	90503049000	FOOTREST BRACKET REAR R/S	1
7	90503048000	FOOTREST BRACKET REAR L/S	1
8	90103038001	TAP FOOTREST BRACKET FRONT	2
9	90104070000	CHAIN GUIDE	1
10	90203006000	ENGINE CARRIER R/S	1
11	90203005000	ENGINE CARRIER L/S	1
12	90104066010	SPACER CHAIN GUIDE	2
16	90103038002	FLANGED NUT M10X1,25 WS14	2
17	J025100926	HH COLLAR SCREW M10X1,25X92	2
18	J025102656	HH COLLAR SCREW M10X1,25X265	1
19	J027081103	HH COLLAR SCREW M8X110 SW12	1
20	J912080253	SOCKET HEAD SCREW M8X25 8.8	4
21	90111045050	CABLE BRACKET	1
22	90103032000	FLANGED BOLT M6X14	1
24	90503045000	BOLT FOR FOOTREST	4
25	90103042000	RETURN SPRING FOOTREST	2
26	J770009015	O-RING 9X1,5	4
27	90503048010	WASHER D=8,5	4
28	J094018250	PIN 25X1,8MM	4
29	90503098000	BOLT SOCKET M8X1.25XL	4
31	90503053000	LOCK PLATE LOWER	2
32	90503052000	LOCK PLATE UPPER	2
34	90503050000	RUBBER DAMPER FOR FOOTREST	2
35	J125080005	WASHER M8	4
36	90805090000	HEAT SHIELD	1
37	90103051033	FOOTREST REAR R/S CPL.	1
38	90103050033	FOOTREST REAR L/S CPL.	1
39	90103040001	PLAIN WASHER 6,4X12X1	2
40	J029060103S	CAP SCREW M6X10 SS	2
41	90103013000	ENGINE MOUNTING SCREW M8X132	1
42	90113025000	BRAKE HOSE GUIDE FRONT	1
43	90513046000	BRACKET HOSE CLAMP 2	1
44	90513045000	BRACKET HOSE CLAMP 1	1

C149080310

* NEW PART

X ON DEMAND



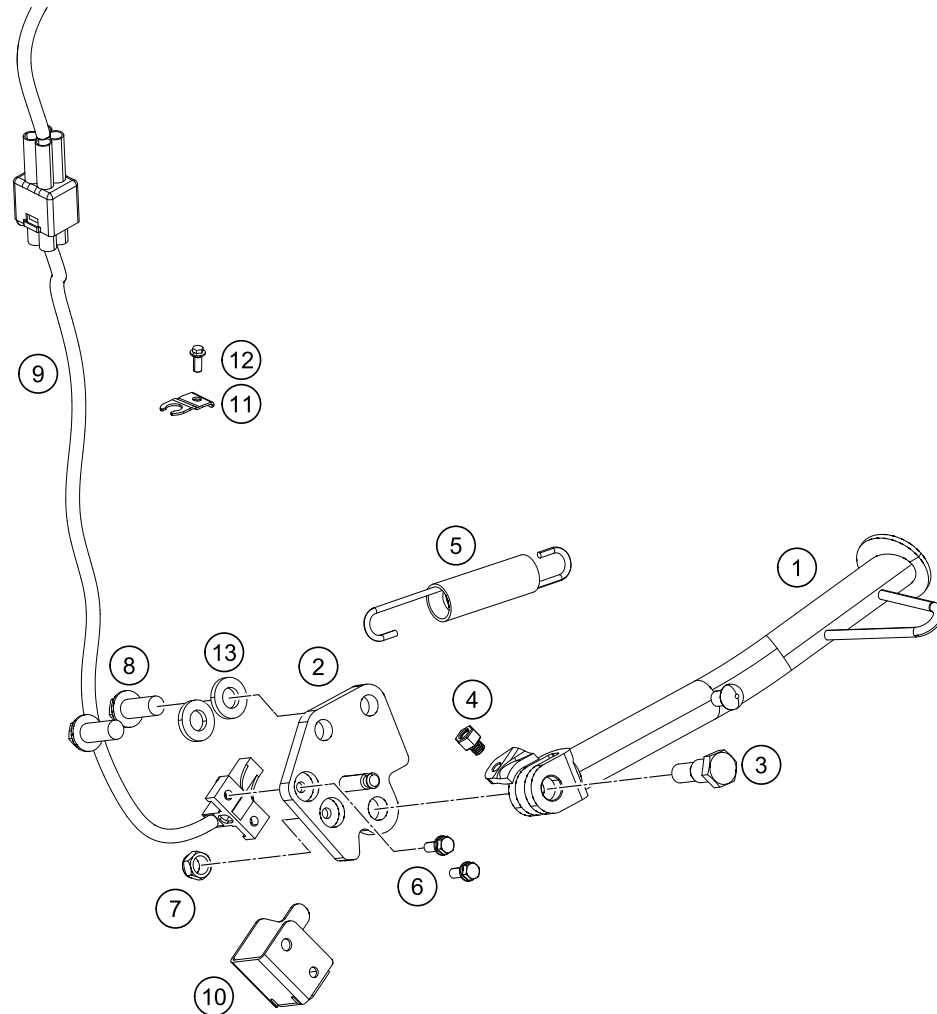
POS	PARTNUMBER	PARTNAME	PIECE
45	J025060083	HH COLLAR SCREW M6X8 SW8	3
46	90503034000	BRACKET SIDECOVER	2
47	J025060103	HH COLLAR SCREW M6X10 SW10	4

149050311

C149080310

* NEW PART

X ON DEMAND



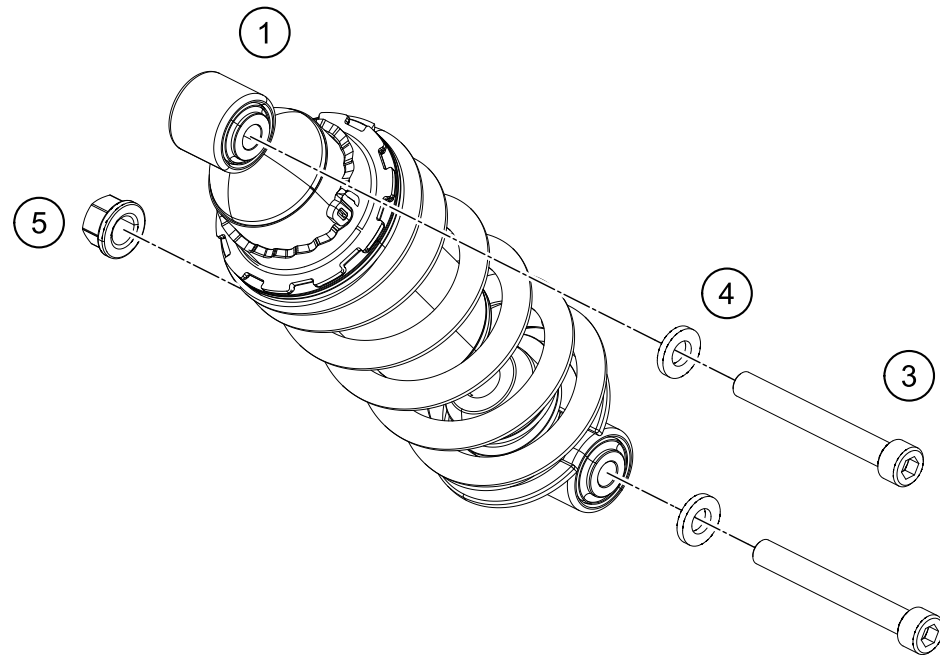
POS	PARTNUMBER	PARTNAME	PIECE
1	90103023000	SIDE STAND	1
2	90103026000	SIDE STAND BRACKET	1
3	90103027000	SCREW F. SIDE STAND	1
4	90103029000	MAGNET HOLDER	1
5	90103024000	SPRING FOR SIDE STAND	1
6	J011050133	HH COLLAR SCREW M5X13 SW8	2
7	J982101253	SELF L. NUT M10X1,25 H11 WS17	1
8	J012100253S	HH COLLAR SCREW M10X1X25 SS	2
9	90111045000	SIDE STAND SWITCH	1
10	90111045010	GUARD F. SIDE STAND SWITCH	1
11	90111045050	CABLE BRACKET	1
12	90103032000	FLANGED BOLT M6X14	1
13	90104010003	PLAIN WASHER 10,2X20X3MM	2

139020360

C149050360

* NEW PART

X ON DEMAND



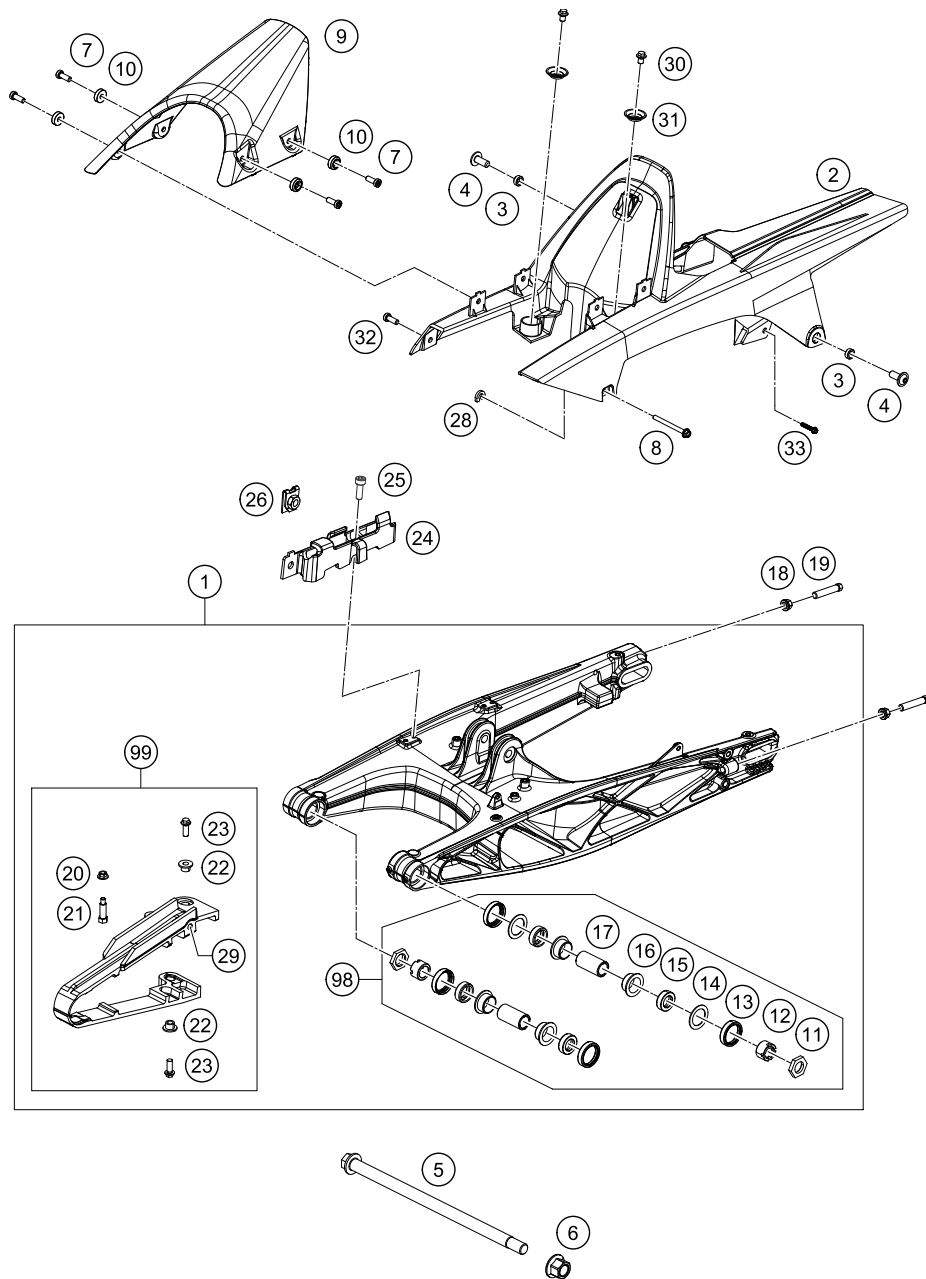
POS	PARTNUMBER	PARTNAME	PIECE
1	90804010000	SHOCK ABSORBER 390 RC	1
3	J020100806	AH SCREW M10x1,25X80 10.9	2
4	90104010003	PLAIN WASHER 10,2X20X3MM	2
5	90104010002	NUT FLANGED M10X1,25 WS13	1

149050410

C149080410

* NEW PART

X ON DEMAND



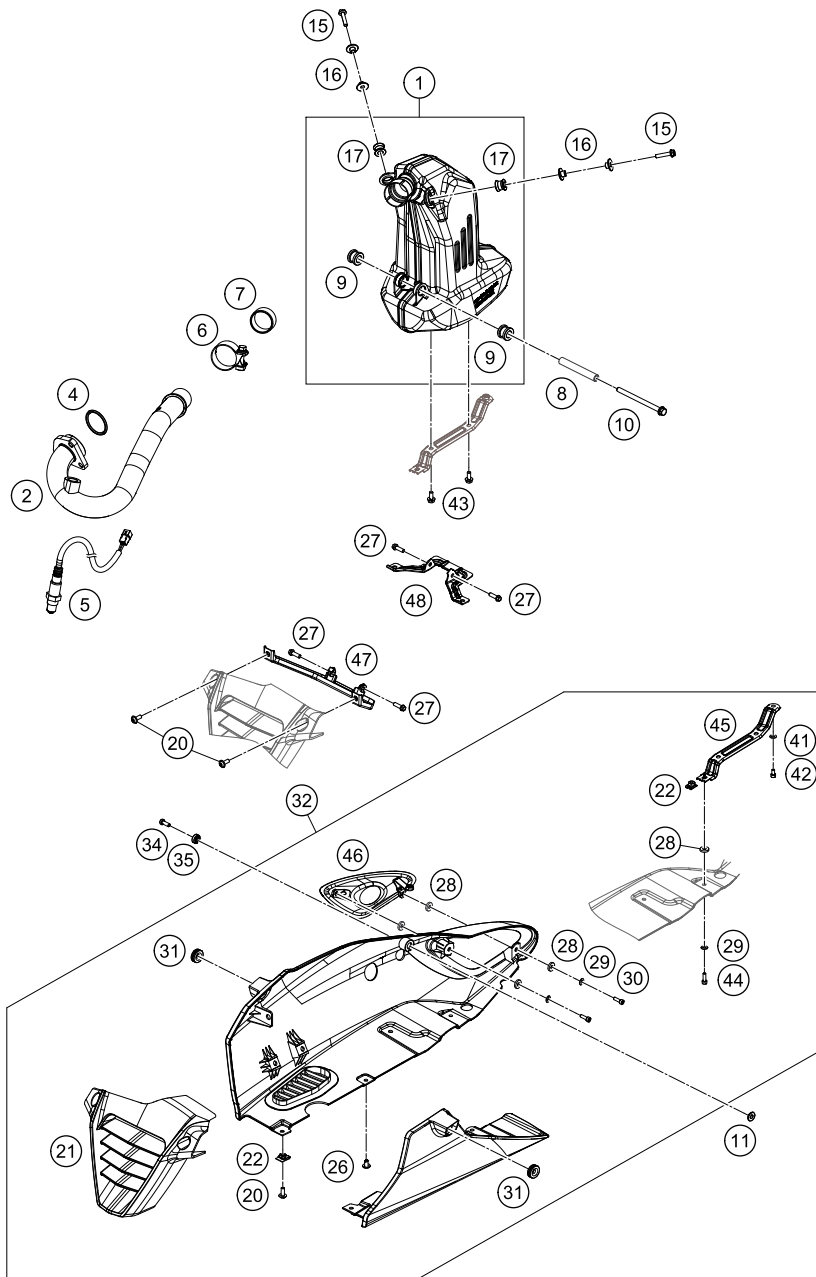
POS	PARTNUMBER	PARTNAME	PIECE
1	90904030000	SWING ARM	1
2	9050406000033	CHAIN COVER BLACK	1
3	90504060050	SLEEVE FOR CHAIN COVER	2
4	90508008001	AH SCREW M8X20	2
5	90104037000	SWING ARM BOLT L=298MM	1
6	90104038000	FLANGED NUT M14X1,5	1
7	90808043001	BOLT SOCKET M6X1XL	4
8	J025050504	BOLT FLANGED M5X0.8XL	1
9	9050405000033	HUGGER ENVELOPE BLACK	1
10	90508046000	SPECIAL WASHER	4
11	90104042000	HEXAGONAL WASHER	2
12	90104046000	ADJUSTING RING SWING ARM	2
13	90104034001	OIL SEAL RING 25X32X7	4
14	90104036000	STOP DISK 22.2X31.7X1	2
15	90104034000	BUCKET FOR SHAFT SEAL RING	4
16	90104031000	IGUS SLIDE BEARING	4
17	90104032000	BUSHING SLEEVE 15.1X20X38	2
18	90104010002	NUT FLANGED M10X1,25 WS13	2
19	90104040000	BOLT HEX M10X1,25X50 WS10	2
20	90204060001	HH COLLAR NUT	1
21	90104040100	SCREW M5X0,8X30	1
22	90604062000	BUSH CHAIN GUARD	2
23	J025060169	HH COLLAR SCREW M6X16 SW8	2
24	90513147000	BRAKE HOSE GUIDE	1
25	J912050151	AH SCREW M5X14 BLACK	1
26	90103097000	CLIP NUT	1
28	90504067000	WASHER CHAIN SLIDING GUARD	1
29	90904070020	SLEEVE CHAIN GUARD	1
30	J025060083	HH COLLAR SCREW M6X8 SW8	2
31	90104067000	BUCKET	2
32	90808043000	SPECIAL SCREW M6X1X16	1
33	90504060001	SCREW SELF TAP D=6	1
98	90104230010	SWINGARM REP. KIT 11-15	x
99	90104066210	CHAIN GUARD KIT 390 DUKE	x

149050490

C149080490

* NEW PART

X ON DEMAND



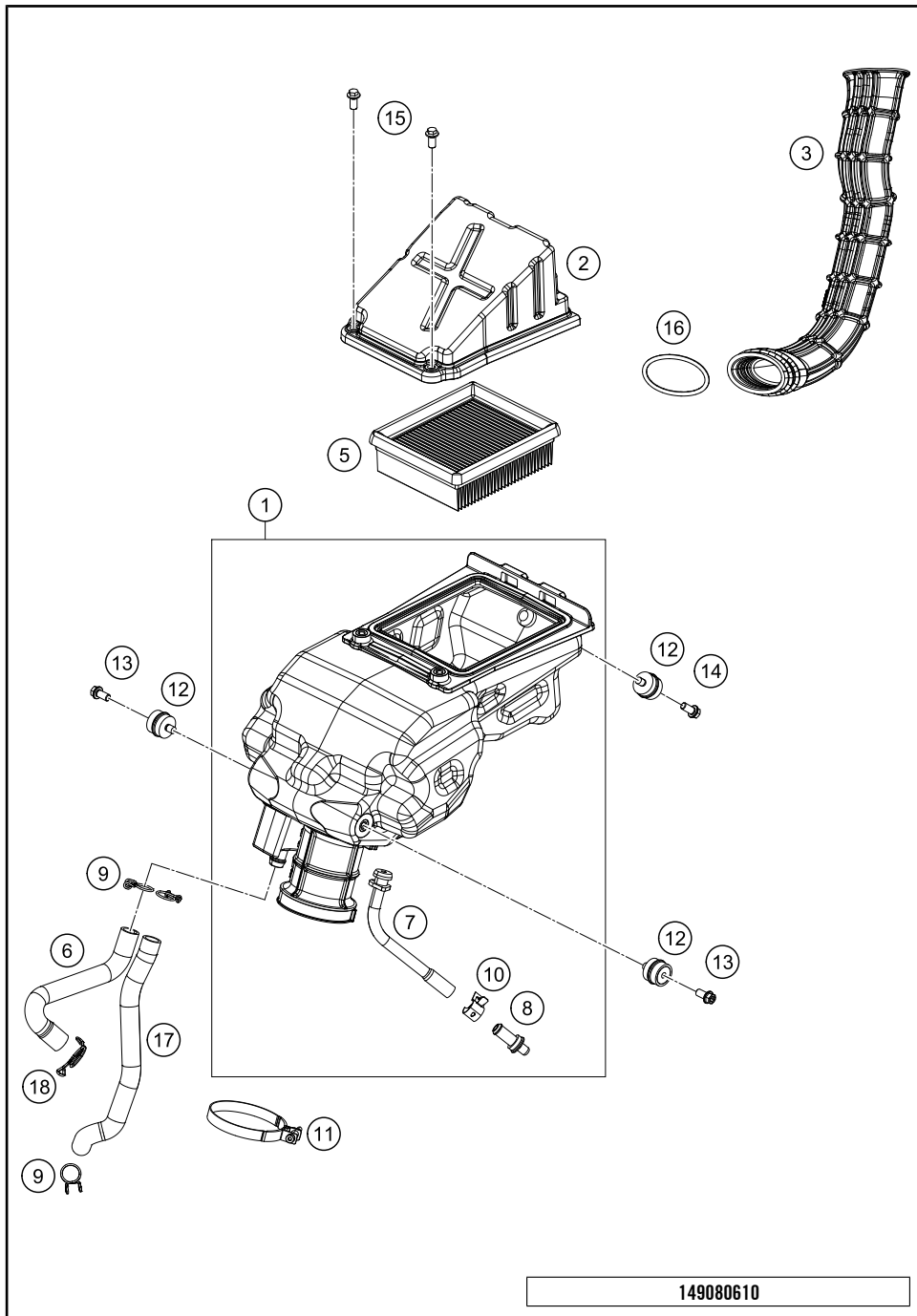
POS	PARTNUMBER	PARTNAME	PIECE
1	90805083033	SILENCER CPL.	1
2	90205007000	MUFFLER CPL.	1
4	90105004000	EXHAUST PIPE FLANGE GASKET	1
5	90141090000	LAMBDA SENSOR	1
6	90205050000	MUFFLER CLAMP	1
7	90205005005	GASKET MUFFLER	1
8	90105084000	MOUNTING TUBE ED	1
9	90105068100	DAMPING ELEMENT LOWER	2
10	J027081103	HH COLLAR SCREW M8X110 SW12	1
11	90508029000	COLLAR BELLY PAN	1
15	J026060356	HH COLLAR SCREW M6X35 SW10	2
16	90205086001	DISTANCE BUSHING SIL. MOUNTING	4
17	90105068200	DAMPING ELEMENT UPPER	2
20	90808043000	SPECIAL SCREW M6X1X16	3
21	9050802000033	RADIATOR SHROUD LOWER BLACK	1
22	90103097000	CLIP NUT	2
25	90508006001	SOCKET HEAD BOLT M6X12	2
26	90114062001	EXPANDING RIVET	1
27	J025060203	HH COLLAR SCREW M6X20 SW10	4
28	90505090050	WASHER ASBESTOS	5
29	90508015010	WASHER D=5,5	3
30	J912050163	AH SCREW M5X16	3
31	90508055010	GROMMET SIDE FAIRING	2
32	9080802003328	LOWER FAIRING CPL.	1
34	90808043001	BOLT SOCKET M6X1XL	1
35	90508046000	SPECIAL WASHER	1
41	90508015010	WASHER D=5,5	1
42	J912050103		1
43	J025060146	HH COLLAR SCREW M6X14 SW10	2
44	90508006003	AH SCREW M6X1X20	1
45	90508028000		1
46	90505090033		1
47	90808026001		1
48	90808027001		1

159080513

C149080510

* NEW PART

X ON DEMAND

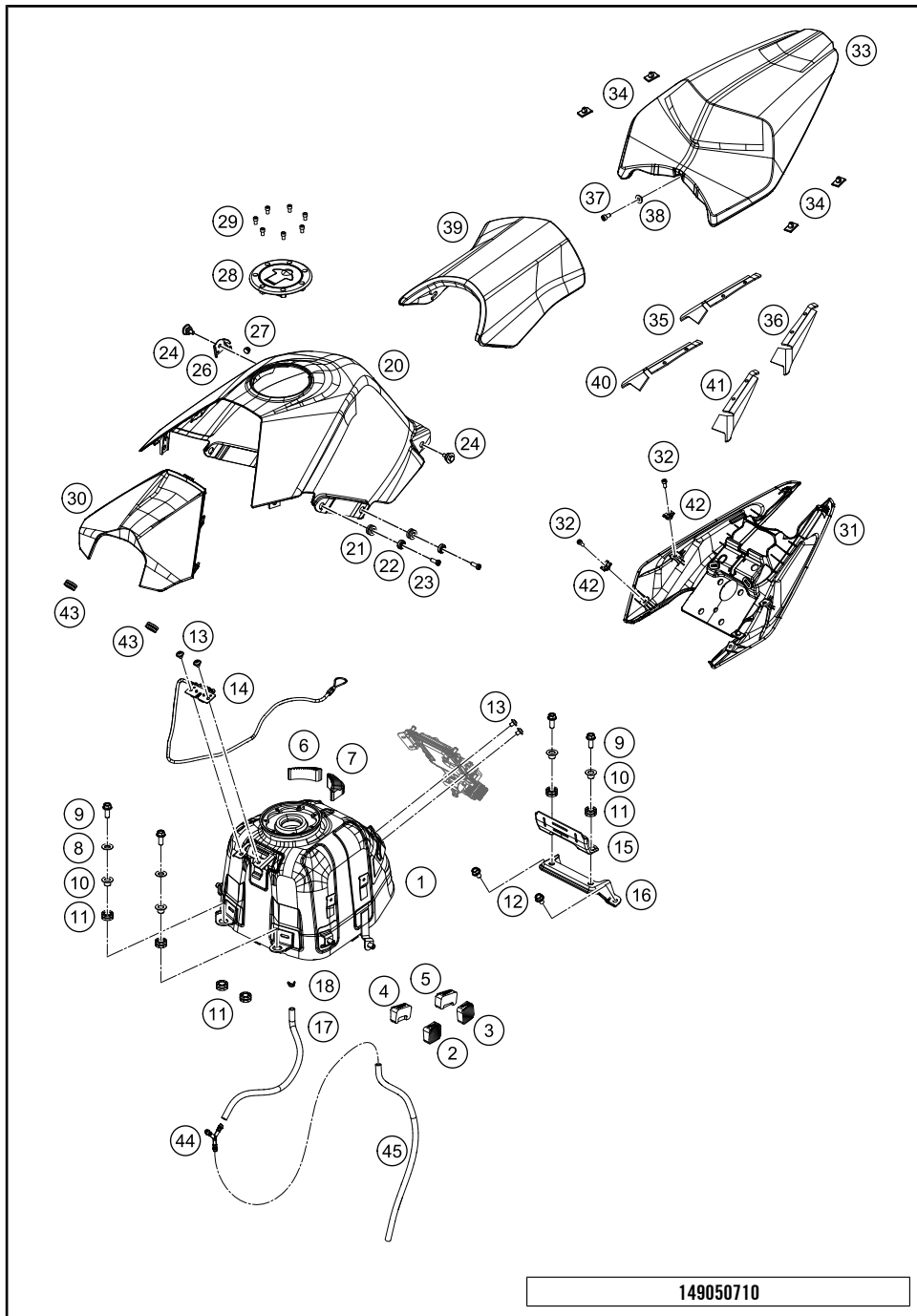


POS	PARTNUMBER	PARTNAME	PIECE
1	90806001033	AIR FILTER BOX CPL.	1
2	90506005033	FILTER COVER CPL.	1
3	90506040000	AIR INTAKE	1
5	90106015000	AIRFILTER	1
6	90230087000	BREATHER HOSE	1
7	90106000103	DRAINAGE HOSE	1
8	90106000001	PLUG DRAINAGE	1
9	90607017000	CLAMP 16MM	3
10	90106000004	HOSE CLAMP	1
11	90241002010	HOSE CLAMP	1
12	90106001007	SILENT BLOCK AIRFILTER	3
13	J025060086	HH COLLAR SCREW M6X8 SW10	3
14	J025060129	HH COLLAR SCREW M6X12	2
15	J025060123	HH COLLAR SCREW M6X12 SW8	2
16	90506028000	GARTER SPRING	2
17	90238034000	OIL PIPE (FLEXIBLE)	1
18	90206027000	CLAMP	1

149080610

C149080610

* NEW PART X ON DEMAND

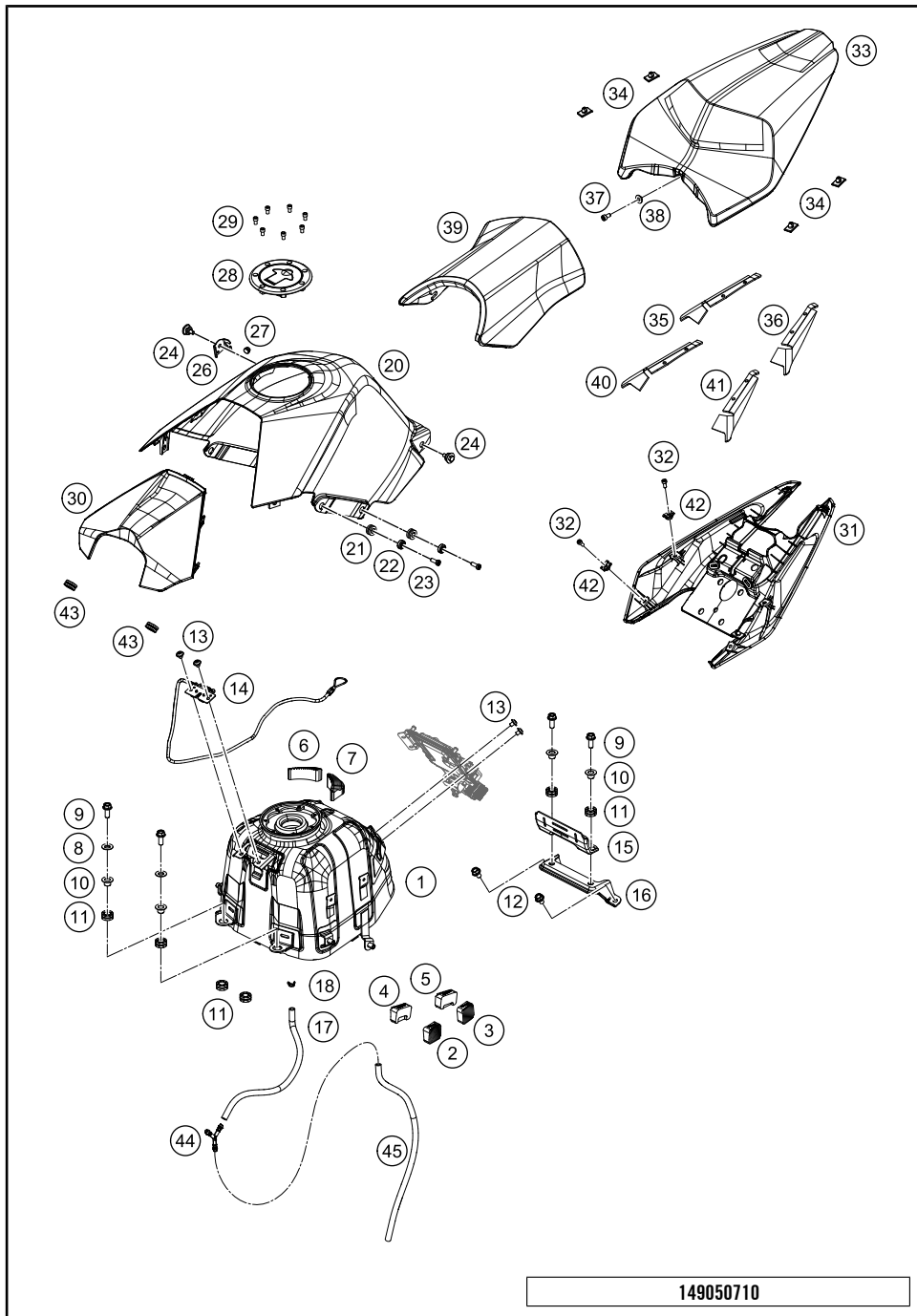


POS	PARTNUMBER	PARTNAME	PIECE
1	90507013100	FUEL TANK	1
2	90507011040	TANK PAD FRONT L/S	1
3	90507011060	TANK PAD REAR L/S	1
4	90507011050	TANK PAD FRONT R/S	1
5	90507011070	TANK PAD REAR R/S	1
6	90507011020	TANK PAD TOP R/S	1
7	90507011010	TANK PAD TOP L/S	1
8	90511055001	SLEEVE BATTERY MTG CASE	2
9	J025080203	HH COLLAR SCREW M8X20 SW12	4
10	90507013005	SLEEVE TANK MOUNTING	4
11	90507013006	GROMMET TANK MOUNTING	6
12	J025080123	HH COLLAR SCREW M8X12 SW12	2
13	90508006004	SOCKET HEAD BOLT M6X1X8	6
14	90508025033	LOCK BATTERY CASE CPL.	1
15	90507013098	TANK BRACKET REAR	1
16	90503071000	TANK MOUNTING REAR	1
17	90507013012	HOSE	1
18	90507017000	HOSE CLAMP	1
20	9050804900033	TANK COVER BLACK	1
21	90507040001	RUBBER SLEEVE	4
22	90508045000	WASHER GFN	4
23	90808043001	BOLT SOCKET M6X1XL	4
24	90107040003	SPECIAL SCREW	2
26	90508025070	BRACKET CABLE LID LOCK	1
27	90141023003	GROMMET	1
28	90507008000	TANK CAP	1
29	J912050151	AH SCREW M5X14 BLACK	7
30	9050802500033	LID BATTERY BLACK	1
31	9050801800033	UNDER TRAY BOTTOM BLACK	1
32	90508018001	SOCKET HEAD BOLT M5X12	4
33	90507047000CA	PILLION SEAT BLACK	1
34	90507047041	SEAT DUMPER SOZIUS SEAT	4
35	90507056000	PROTECTION SOZIUSSEAT TOP L/S	1
36	90507055000	PROTECTION SOZIUSSEAT TOP L/S	1
37	90507047001	AH SCREW M6X12	1
38	90508016060	COLLAR UNDER TRAY	1
39	90507040000	SEAT	1
40	90507058000	PROTECTION SOZIUSSEAT DOWN R/S	1

149050710

C149080710

* NEW PART X ON DEMAND

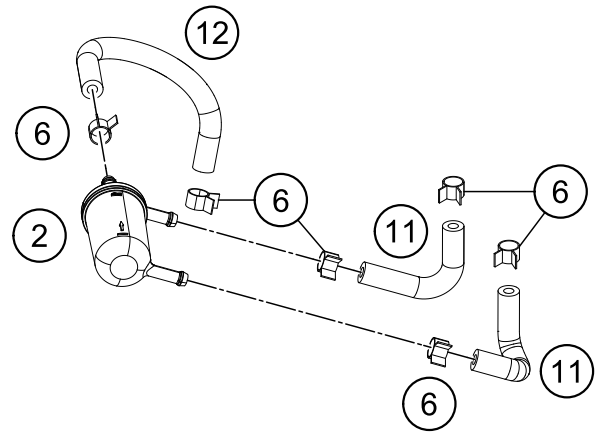
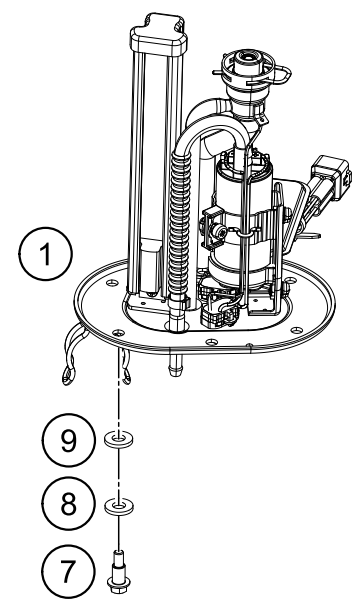
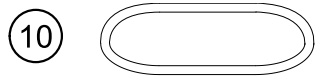


POS	PARTNUMBER	PARTNAME	PIECE
41	90507057000	PROTECTION SOZIUSSEAT DOWN L/S	1
42	90108050001	CLIP NUT M5	4
43	90508024050	GROMMET BATTERY BOX	2
44	90507015000	CONNECTOR Y SHAPE	1
45	90507013013	TUBE DRAIN 2	1

149050710

C149080710

* NEW PART X ON DEMAND



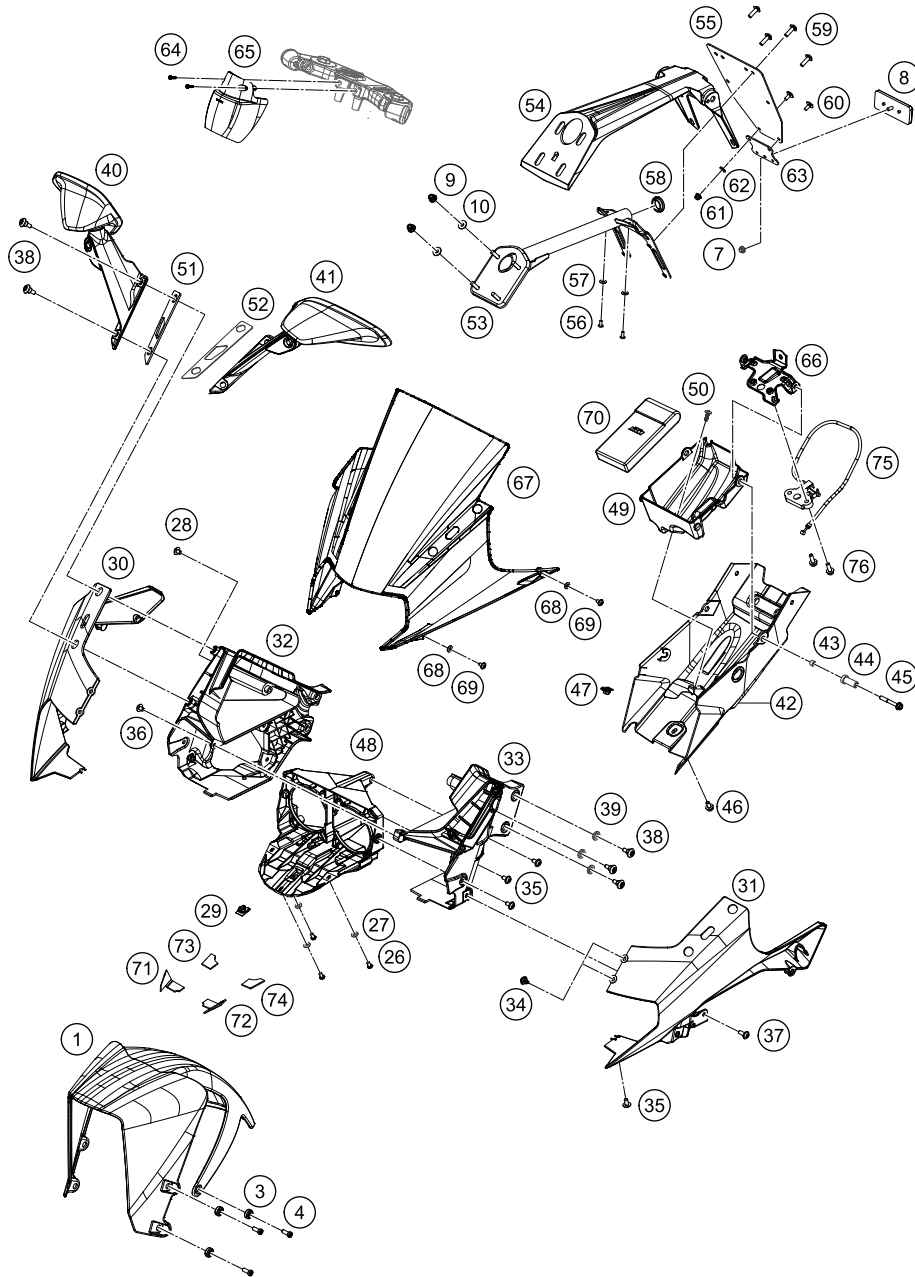
POS	PARTNUMBER	PARTNAME	PIECE
1	90807088000	FUEL PUMP	1
2	90107018000	FUEL FILTER	1
6	90107018011	CLAMP 10MM	6
7	90507089110	SPECIAL SCREW FUEL PUMP	6
8	90507088030	WASHER FUEL PUMP	6
9	90507088020	NYLON WASHER	6
10	J770081020	O-RING 81X4	1
11	90507018000	FUEL PIPE SHORT	2
12	90107018010	FUEL HOSE R9	1

149050730

C149080730

* NEW PART

X ON DEMAND



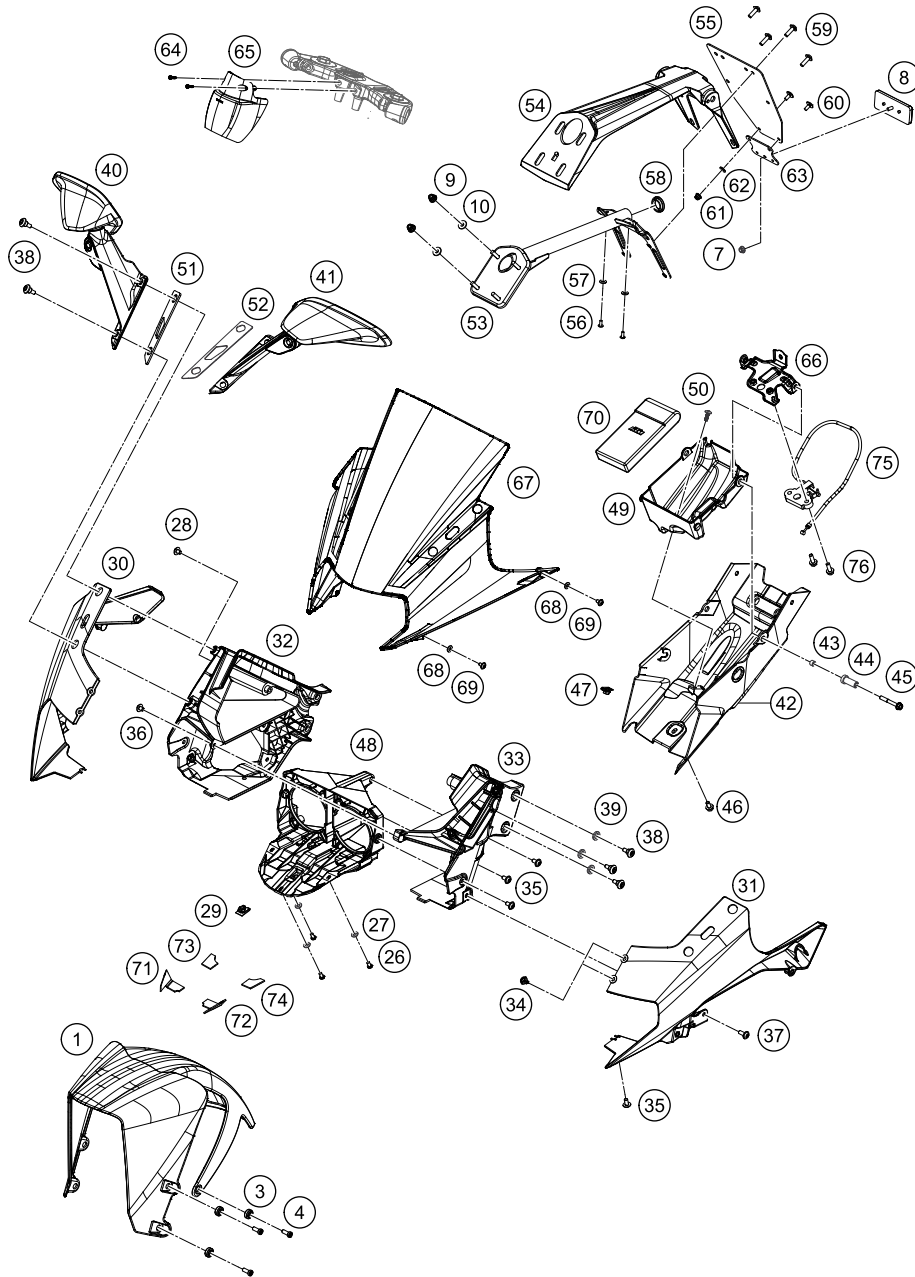
POS	PARTNUMBER	PARTNAME	PIECE
1	90508010033CA	FRONT FENDER CPL. BLACK	1
3	90808010050	BUSHING FRONT FENDER	6
4	90808043001	BOLT SOCKET M6X1XL	6
7	90204060001	HH COLLAR NUT	1
8	90514045000	REFLECTOR	1
9	90508016001	HH COLLAR NUT M6 9.1	4
10	90508016060	COLLAR UNDER TRAY	4
26	J005050103	FLAT HEAD SCREW M5X10	3
27	90514007010	WASHER D=5,5 BLACK	3
28	90808043000	SPECIAL SCREW M6X1X16	1
29	90103097000	CLIP NUT	3
30	9050800200033	FRONT MASK RH. BLACK	1
31	9050800100033	FRONT MASK LH. BLACK	1
32	90508004000	FAIRING STRUCTURE R/S	1
33	90508003000	FAIRING STRUCTURE L/S	1
34	90114062001	EXPANDING RIVET	2
35	90508006001	SOCKET HEAD BOLT M6X12	7
36	90508006004	SOCKET HEAD BOLT M6X1X8	1
38	90512042020	STEP BOLT M6	10
39	90508010010	WASHER 10X16X2,3	6
40	90512041044	MIRROR ARM RIGHT CPL.	1
41	90512040044	MIRROR ARM LEFT CPL.	1
42	90508019000	UNDER TRAY FRONT	1
43	90508016050	SLEEVE UNDER TRAY	2
44	90503001089	BUSH BRIDGE BRACKET	2
45	J025060454	HH COLLAR SCREW M6X45	2
46	J025060129	HH COLLAR SCREW M6X12	1
47	90108050001	CLIP NUT M5	1
48	90514013000	STRUCTURE HEAD LAMP	1
49	90508021000	UTILITY BOX	1
50	J031050163	CHEESE-HEAD SCREW M5X16	1
51	90808006000	RUBBER PAD R/S	1
52	90808005000	RUBBER PAD L/S	1
53	90508016000	NUMBER PLATE HOLDER STRUCTURE	1
54	90508015000	NUMBER PLATE HOLDER	1
55	90808016000	REAR FENDER EXT.	1
56	J981420133	SHEET MET.SCR. DIN 7981 4,2X13	2
57	J021040004	WASHER PLAIN SMALL 4,5X12X1	2

149050810

C149050810

* NEW PART

X ON DEMAND



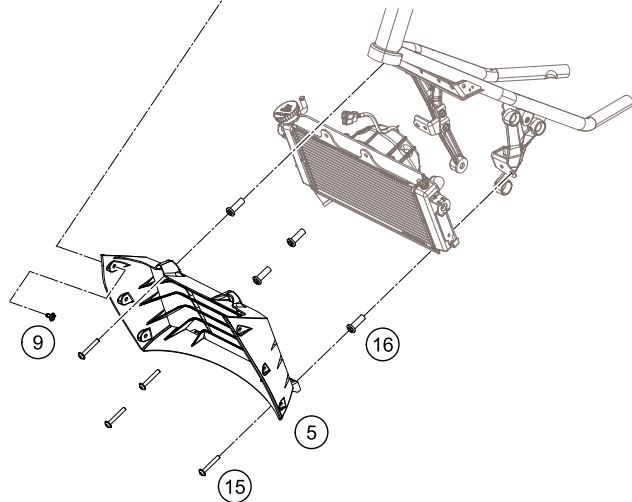
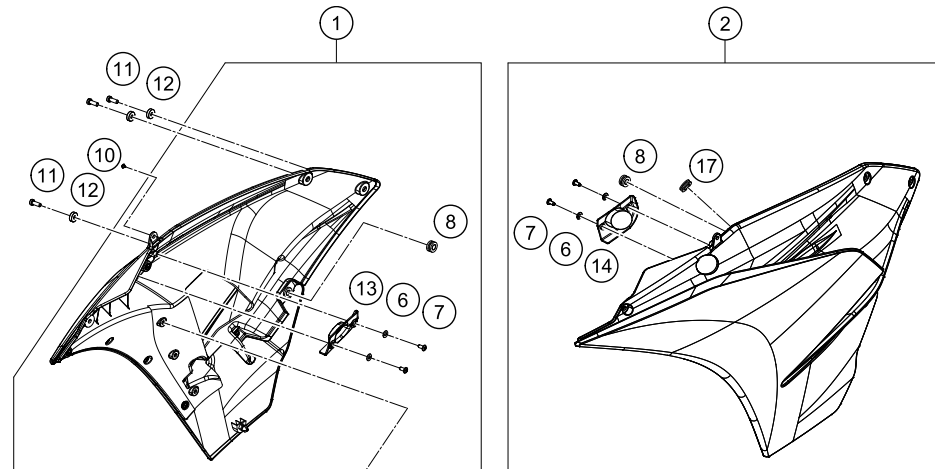
POS	PARTNUMBER	PARTNAME	PIECE
58	90508016010	GROMMET NUMBER PLATE STRUCTURE	1
59	90508006003	AH SCREW M6X1X20	4
60	J005050123	FLAT HEAD SCREW M6X12 PH	2
61	90102031010	HEX NUT M5 AF8	2
62	90508015010	WASHER D=5,5	2
63	90514044000	REFLECTOR MOUNTING	1
64	90511064000	SCREW SELF TAPING D=5X18	2
65	90508023000	COVER IGNITION SWITCH	1
66	90503002070	BRIDGE BRACKET SEAT MTG	1
67	90508008000	VISOR	1
68	90808045000	SPECIAL WASHER	4
69	90808073000	SPECIAL SCREW M6X1X10	4
70	90529099000	TOOLKIT	1
71	90508042002	PAD RUBBER SIDEMASK RH FR	1
72	90508041002	PAD RUBBER SIDEMASK LH FR	1
73	90508042003	PAD RUBBER SIDEMASK RH RR	1
74	90508041003	PAD RUBBER SIDEMASK LH RR	1
75	90507050033	SEAT LOCK CPL.	1
76	J025060183	HH COLLAR SCREW M6X18 SW10	2

149050810

C149050810

* NEW PART

X ON DEMAND



POS	PARTNUMBER	PARTNAME	PIECE
1	9050805104433	SIDE FAIRING RH CPL.	1
2	9050805004433	SIDE FAIRING LH CPL.	1
5	90508011000	AIR INTAKE	1
6	90514007010	WASHER D=5,5 BLACK	4
7	90508041010	SCREW K50X12 T20	4
8	90507040001	RUBBER SLEEVE	4
9	90114062001	EXPANDING RIVET	6
10	90508006004	SOCKET HEAD BOLT M6X1X8	2
11	90808043001	BOLT SOCKET M6X1XL	6
12	90508045000	WASHER GFN	6
13	90508054050	FLASHER BLIND COVER R/S	1
14	90508054000	FLASHER BLIND COVER L/S	1
15	90508006002	AH SCREW M6X42	4
16	90503007001	BUSH RADIATOR MTG	4
17	90508010060	GROMMET	1

149050821

C149050820

* NEW PART

X ON DEMAND

POS	PARTNUMBER	PARTNAME	PIECE
1	90808099000	DECAL KIT 390 RC	X

1

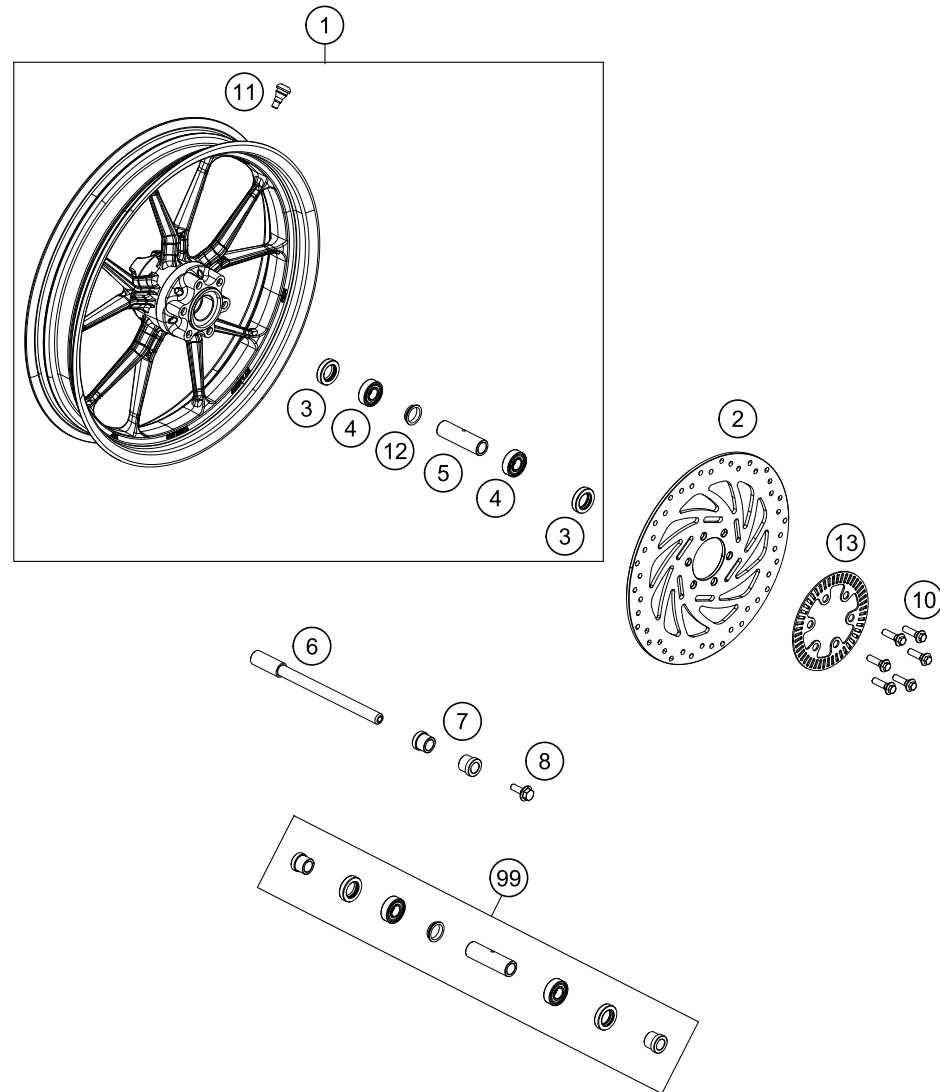


149080830

C149080830

* NEW PART

X ON DEMAND



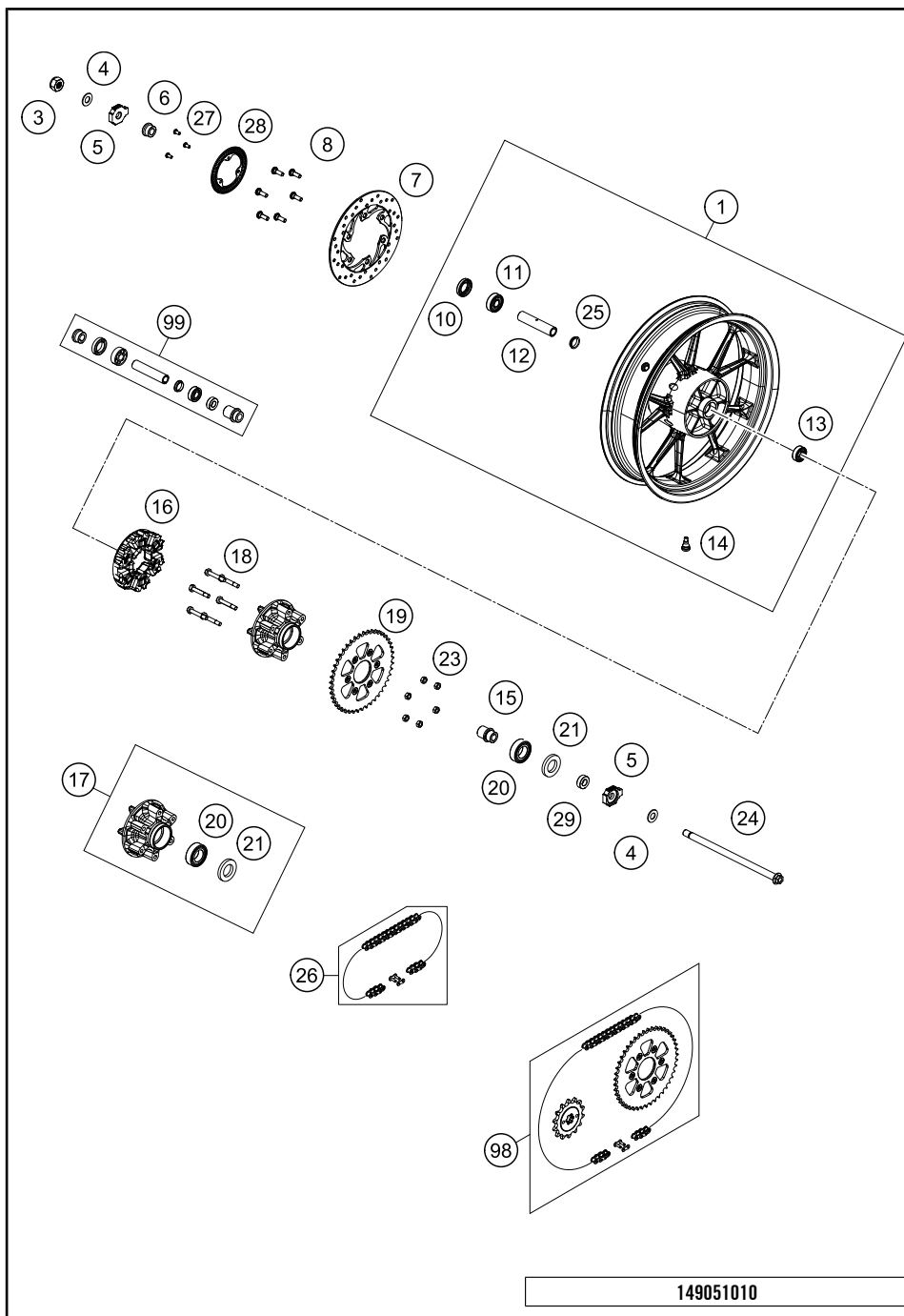
POS	PARTNUMBER	PARTNAME	PIECE
1	9020900104404	FRONT WHEEL CPL. - ORANGE	1
2	90109060100	BRAKE DISC FRONT	1
3	J760223508	SHAFT SEAL RING 22X35X8	2
4	J625062021	BALL BEARING 6202	2
5	90109011000	BEARING SPACER TUBE FRONT	1
6	90109081000	AXLE FRONT D=15MM	1
7	90109012000	SPACER BUSHING FRONT WHEEL	2
8	90109082000	AXLESCREW M8	1
10	90109062000	SPECIAL SCREW M8X30 SELF LOCK.	6
11	90109076000	VALVE CPL.	1
12	90109011001	FIXATION BEARING SPACER TUBE	1
13	90142020000	SENSOR DISC FRONT	1
99	90109015000	FRONT WHEEL REP. KIT	x

149050910

C149050910

* NEW PART

X ON DEMAND

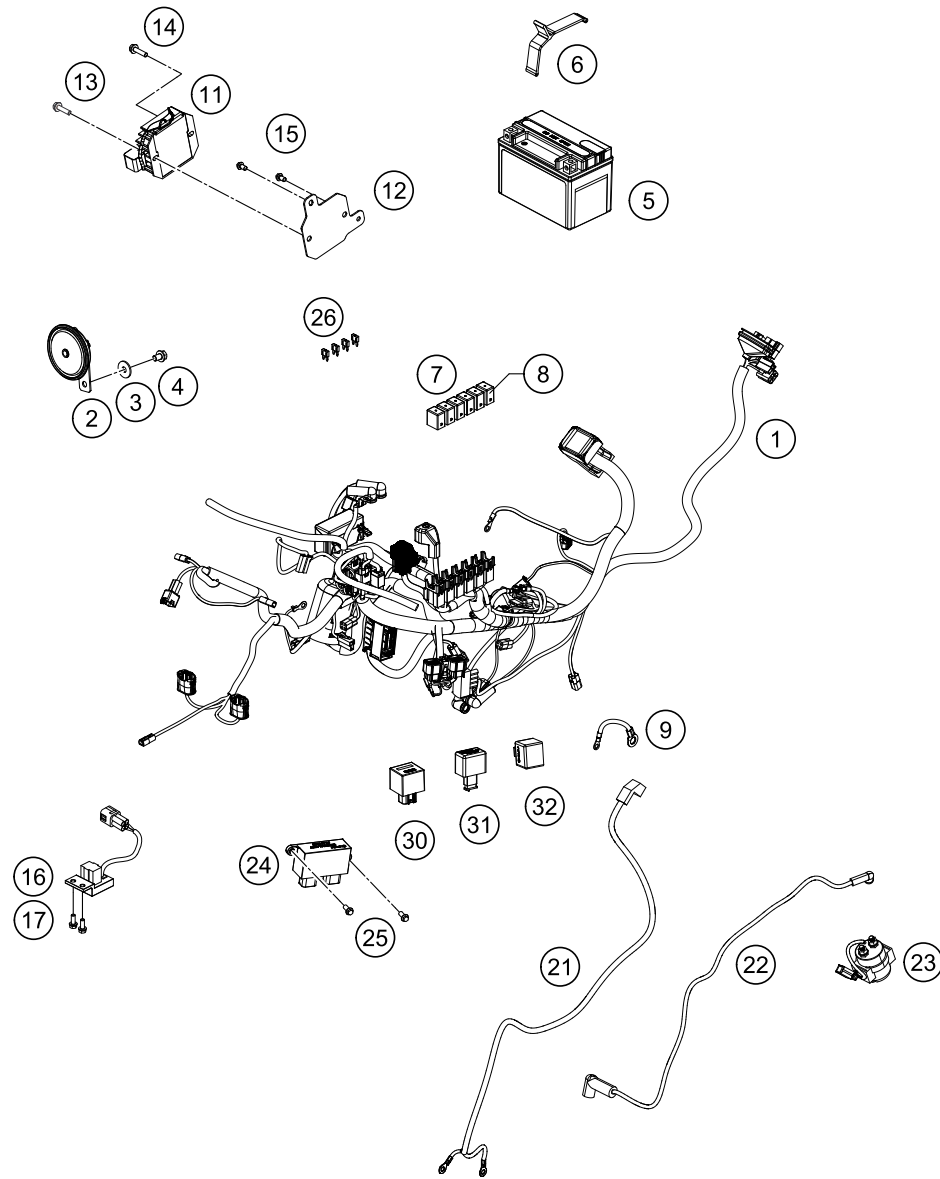


POS	PARTNUMBER	PARTNAME	PIECE
1	9021000104404	REAR WHEEL CPL. - ORANGE	1
3	90210086000	NUT REAR AXLE	1
4	90610087000	WASHER 15,2X30X2	2
5	90110084000	CHAIN TENSIONER R/S	2
6	90110013000	SPACER BUSHING REAR WHEEL R/S	1
7	90110060000	WAVE BRAKE DISC REAR	1
8	90110062000	SPECIAL SCREW M8X25 SELF LOCK.	6
10	J760264208	SHAFT SEAL RING 26X42X8	1
11	J625063020	BALL BEARING 6302	1
12	90110011000	BEARING SPACER TUBE REAR	1
13	J625062021	BALL BEARING 6202	1
14	90109076000	VALVE CPL.	1
15	90610054000	SPACER BUSHING KRT INSIDE	1
16	90210059100	DAMP RUBBER REAR WHEEL	6
17	90210050000	SPROCKET SUPPORT	1
18	90810052000	SPECIAL SCREW M8X48	6
19	90510051045	SPROCKET 45T	1
20	J625062050	BALL BEARING 6205	1
21	J760295207	SHAFT SEAL RING 29X52X7	1
23	90510052000	FLANGED NUT M8X1,25	6
24	90210085000	REAR AXLE	1
25	90109011001	FIXATION BEARING SPACER TUBE	1
26	78010167118	CHAIN DID 118 ROLLS	1
27	90142021001	SCREW FOR ABS	3
28	90142021000	SENSOR DISC REAR	1
29	90110053000	SPACER CHAIN WHEEL SUPPORT	1
98	00050002027	DRIVETRAIN KIT 390 DUKE 15/45	x
99	90110015100	REAR WHEEL REP. KIT 390 DUKE	x

149051010

C149081010

* NEW PART X ON DEMAND



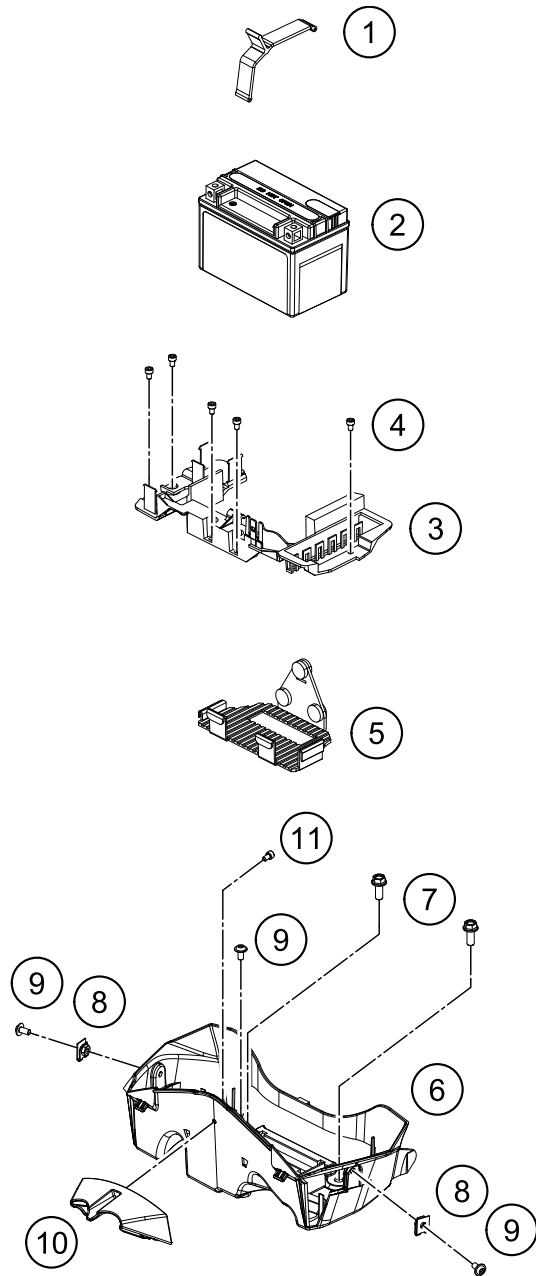
149051110

POS	PARTNUMBER	PARTNAME	PIECE
1	90511275000	WIRING HARNESS	1
2	90111060100	HORN 82 DIA	1
3	90111060010	WASHER PLAIN 8,4X25X2	1
4	J025080123	HH COLLAR SCREW M8X12 SW12	1
5	90611053000	BATTERIE 12V/8AH	1
6	90511054001	BRACKET RUBBER FOR BATTERY	1
7	90611057000	RELAY (INTERLOCK)	6
8	90611157000	RELAY (AUX1DIODE)	1
9	90211097000	EARTH CABLE	1
11	90511034000	VOLTAGE REGULATOR	1
12	90511134010	BRACKET VOLTAGE REGULATOR	1
13	J025060303	FLANGED BOLT M6X30 WS10	1
14	J025060253	HH COLLAR SCREW M6X25 SW10	1
15	J025060109	HH-COLLAR SCREW M6X10 SW8	2
16	90141088000	ROLL OVER SENSOR	1
17	J025050103	HH-COLLAR SCREW M5X10	2
21	90511097000	GROUND CABLE	1
22	90811059000	STARTER CABLE	1
23	90111058000	STARTER RELAY	1
24	90611035000	INTEGRAL UNIT	1
25	J025060143	HH COLLAR SCREW M6X14 SW8	2
26	75011088005	FUSE MINI 5A	1
26	75011088010	FUSE 10A 07	3
26	75011088015	FUSE 15A 07	5
26	75011088030	FUSE 30A	1
30	90539010000	IGNITION UNIT	1
31	90511030000	FLASHER RELAY	1
32	90511021000	CONTROL UNIT HEAD LIGHT	1

C149051110

* NEW PART

X ON DEMAND



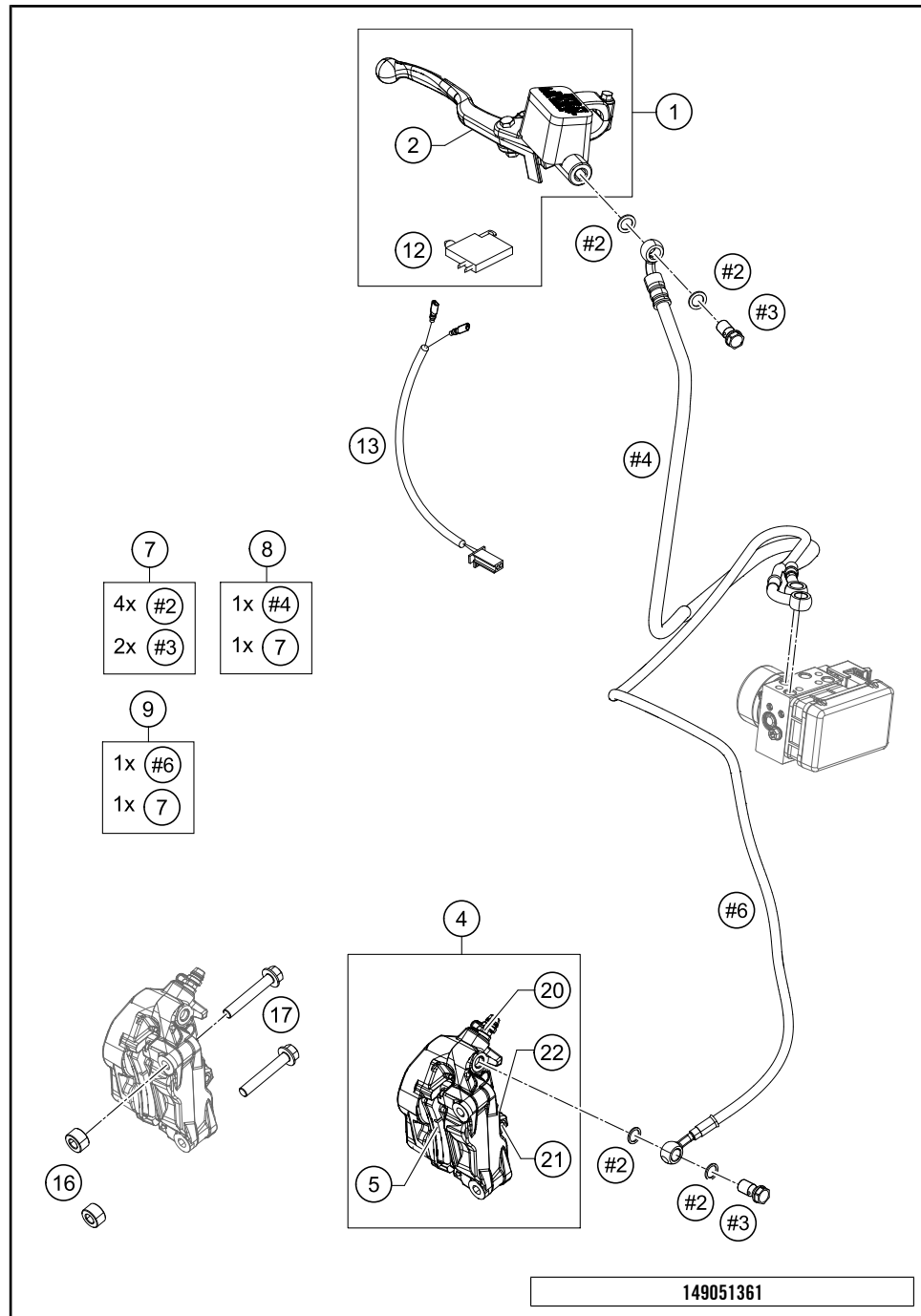
149051130

POS	PARTNUMBER	PARTNAME	PIECE
1	90511054001	BRACKET RUBBER FOR BATTERY	1
2	90611053000	BATTERIE 12V/8AH	1
3	90511055000	BATTERY BRACKET	1
4	90511054002	AH SCREW M5X8	5
5	90511054000	RUBBER BATTERY BRACKET	1
6	90508024000	BATTERY CASE	1
7	J025080203	HH COLLAR SCREW M8X20 SW12	2
8	90103097000	CLIP NUT	2
9	90508006001	SOCKET HEAD BOLT M6X12	3
10	90508048000	PLUG COVER	1
11	90511054002	AH SCREW M5X8	1

C149051130

* NEW PART

X ON DEMAND

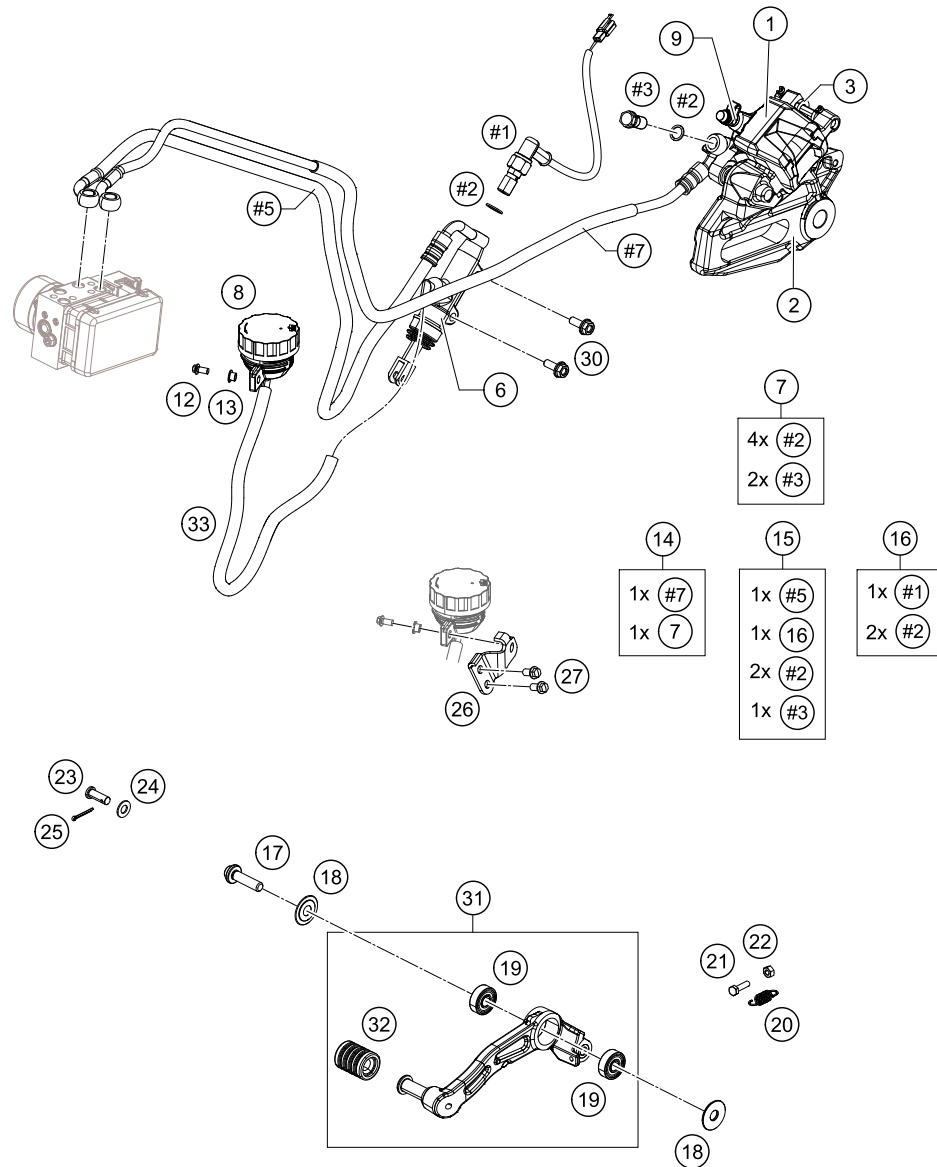


POS	PARTNUMBER	PARTNAME	PIECE
1	90513001000	HAND BRAKE CYLINDER	1
2	90113002100	HAND BRAKE LEVER	1
4	90113015000	BRAKE CALIPER RADIAL	1
5	90113030000	BRAKE PADS FRONT - SET	1
7	90113013044	BANJO BOLT KIT	x
8	90542001044	BRAKE HOSE KIT ABS-FRONT CYL.	x
9	90642004044	BRAKE HOSE KIT ABS-FRONT CAL.	x
12	90111050000	BRAKE LIGHT SWITCH FRONT	1
13	90111050050	WIRE BRAKE LIGHT SWITCH FRONT	1
16	90613098150	SPACER FRONT CALIPER	2
17	J01008060S	BOLT FLANGED M8X1X60	2
20	90113021000	BLEEDER SCREW	1
21	90113017000	BOLT F. BRAKE PADS	1
22	90113018000	SPRING CLIP	1

149051361

C149051360

* NEW PART X ON DEMAND



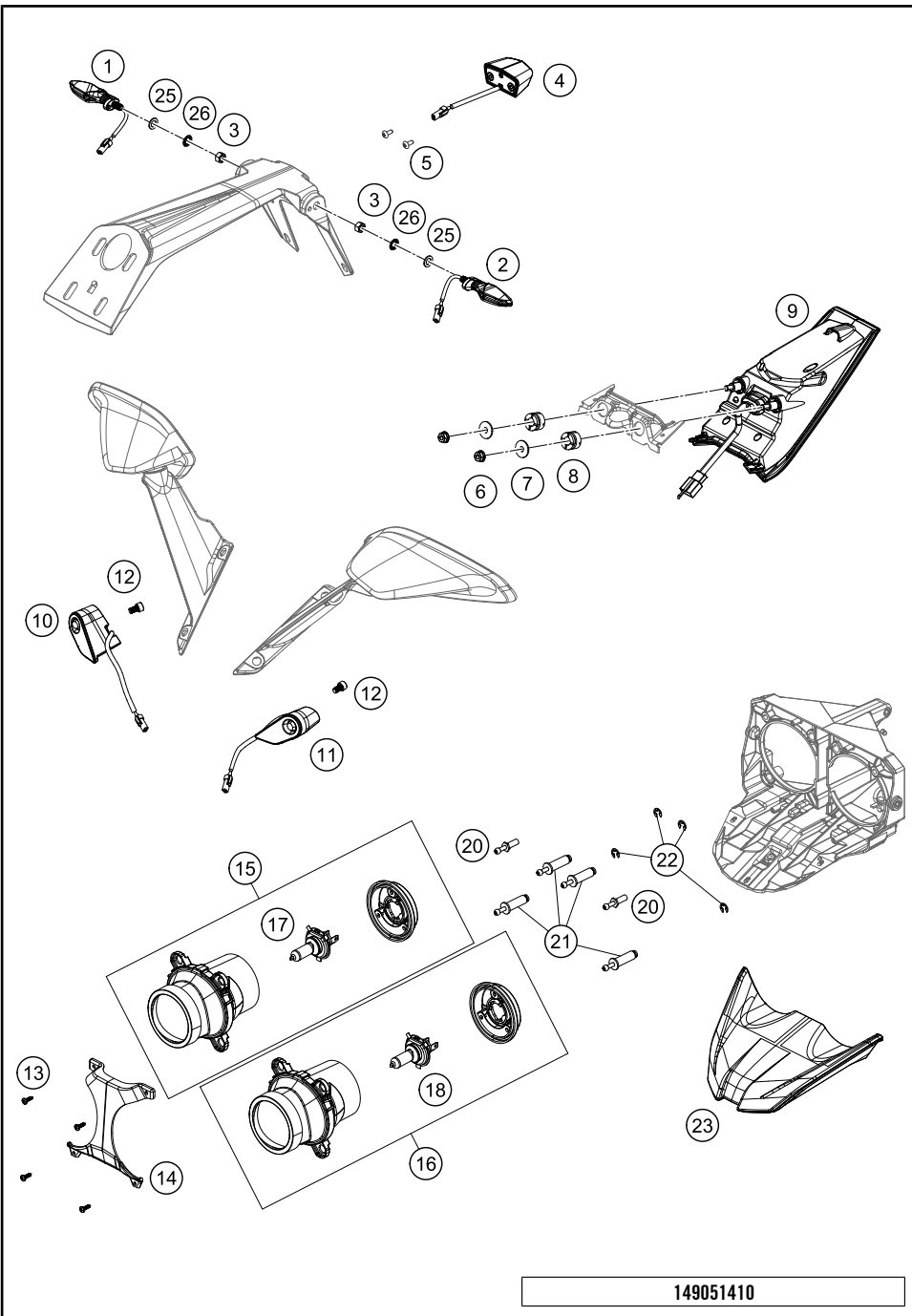
POS	PARTNUMBER	PARTNAME	PIECE
1	90113080000	BRAKE CALIPER REAR CPL.	1
2	90613075000	BRAKE CALIPER SUPPORT REAR ABS	1
3	90113090000	REAR BRAKE PADS - SET	1
6	90113060000	REAR BRAKE CYLINDER CPL.	1
7	90113013044	BANJO BOLT KIT	x
8	90113009000	BRAKE FLUID RESERVOIR CPL.	1
9	90113121000	BLEEDER SCREW	1
12	J025060143	HH COLLAR SCREW M6X14 SW8	1
13	90114060003	COLLAR BUSHING	1
14	90642001044	BRAKE HOSE KIT ABS-REAR CAL.	x
15	90542002044	BRAKE HOSE KIT ABS-REAR CYL.	x
16	90111051044	BREAK LIGHT SWITCH REAR KIT	x
17	90534034300	BOLT SHIFT LEVER	1
18	90534031020	WASHER SHIFTING LEVER	2
19	J625060800	BALL BEARING 608	2
20	90113052000	SPRING FOOT BRAKE LEVER	1
21	J933060253	HH COLLAR SCREW DIN 933 M6X25	1
22	J934060003	HEXAGON NUT M6	1
23	90113057000	PIN	1
24	J125060003	PLAIN WASHER 6,5X13X1	1
25	J094020153	PIN 2X15MM	1
26	90213068000	BRACKET RESERVOIR	1
27	J025060109	HH-COLLAR SCREW M6X10 SW8	2
30	J025060163	HH COLLAR SCREW M6X16 SW10	2
31	90513050033	FOOT BRAKE LEVER CPL.	1
32	90134035000	RUBBER	x
33	90513069000	HOSE FOR RESERVOIR	1

149081390

C149081390

* NEW PART

X ON DEMAND

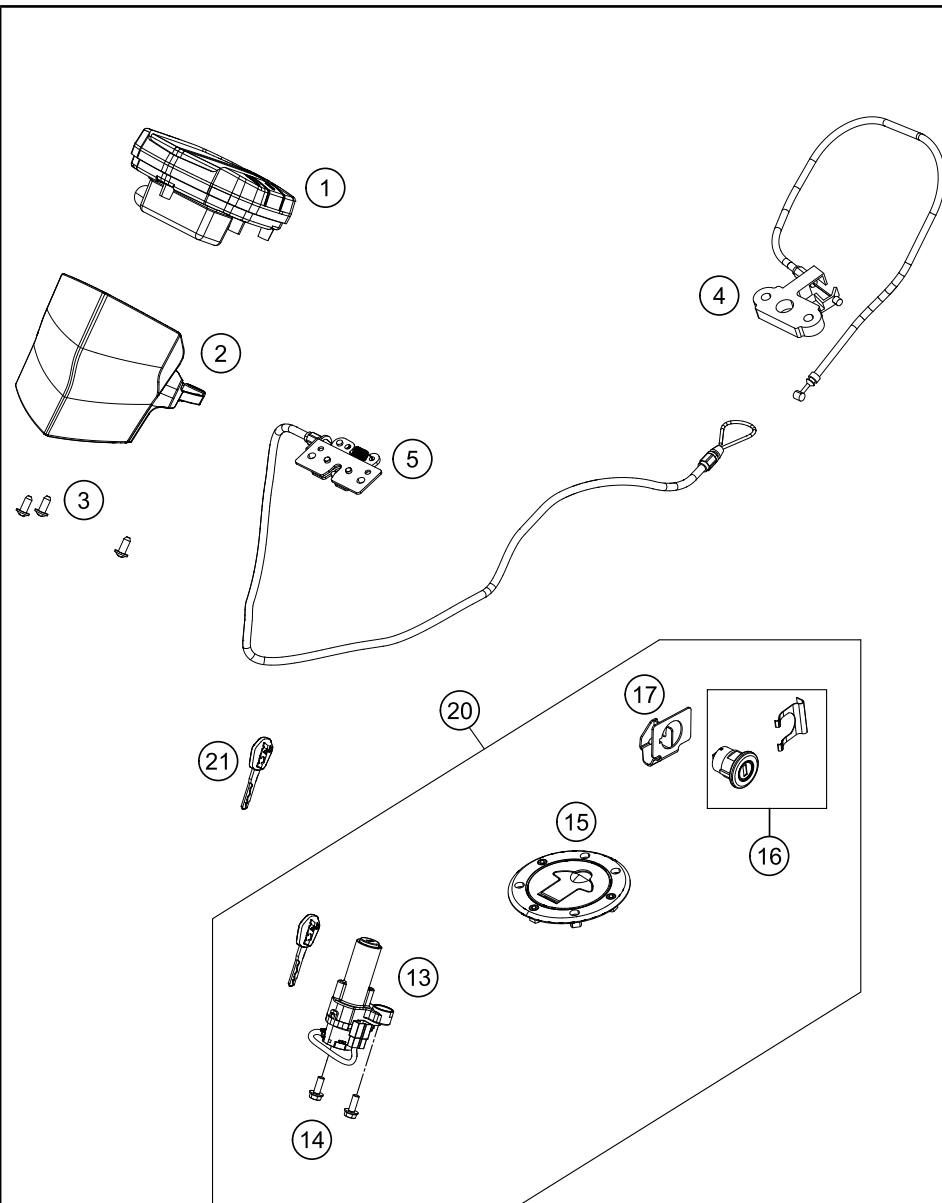


POS	PARTNUMBER	PARTNAME	PIECE
1	90514036000	% FLASHER REAR R/S	1
2	90514035000	% FLASHER REAR L/S	1
3	90103038002	FLANGED NUT M10X1,25 WS14	2
4	90114047000	LICENSE PLATE ILLUMINATION	1
5	J981350133	SHEET MET.SCR. DIN 7981 3,5X13	2
6	J926060000	FLANGED NUT M6 WS10 SELF LOCK.	2
7	90814044000	PLAIN WASHER	2
8	90107013004	GROMMET TOP COVER	2
9	90514040001	REAR LIGHT LED	1
10	90514026000	FLASHER FRONT R/S	1
11	90514025000	FLASHER FRONT L/S	1
13	J981350133	SHEET MET.SCR. DIN 7981 3,5X13	4
14	90514007000	COVER POSITION LAMP	1
15	90514003100	HEADLIGHT HIGH BEAM	1
16	90514001100	HEADLIGHT LOW BEAM	1
17	90514003060	BULB H9 65W	1
18	90514003050	BULB H11 55W	1
20	90514013010	FASTENING BOLT HEADLAMP	2
21	90514013020	ADJUSTING BOLT HEADLAMP	4
22	90514013030	CIRCLIP D=6	4
23	90514004000	LAMP PARKING LIGHT	1
25	J125100003	WASHER PLAIN 10,5	2
26	J797100003	TOOTHED WASHER M10	2

149051410

C149051410

* NEW PART X ON DEMAND



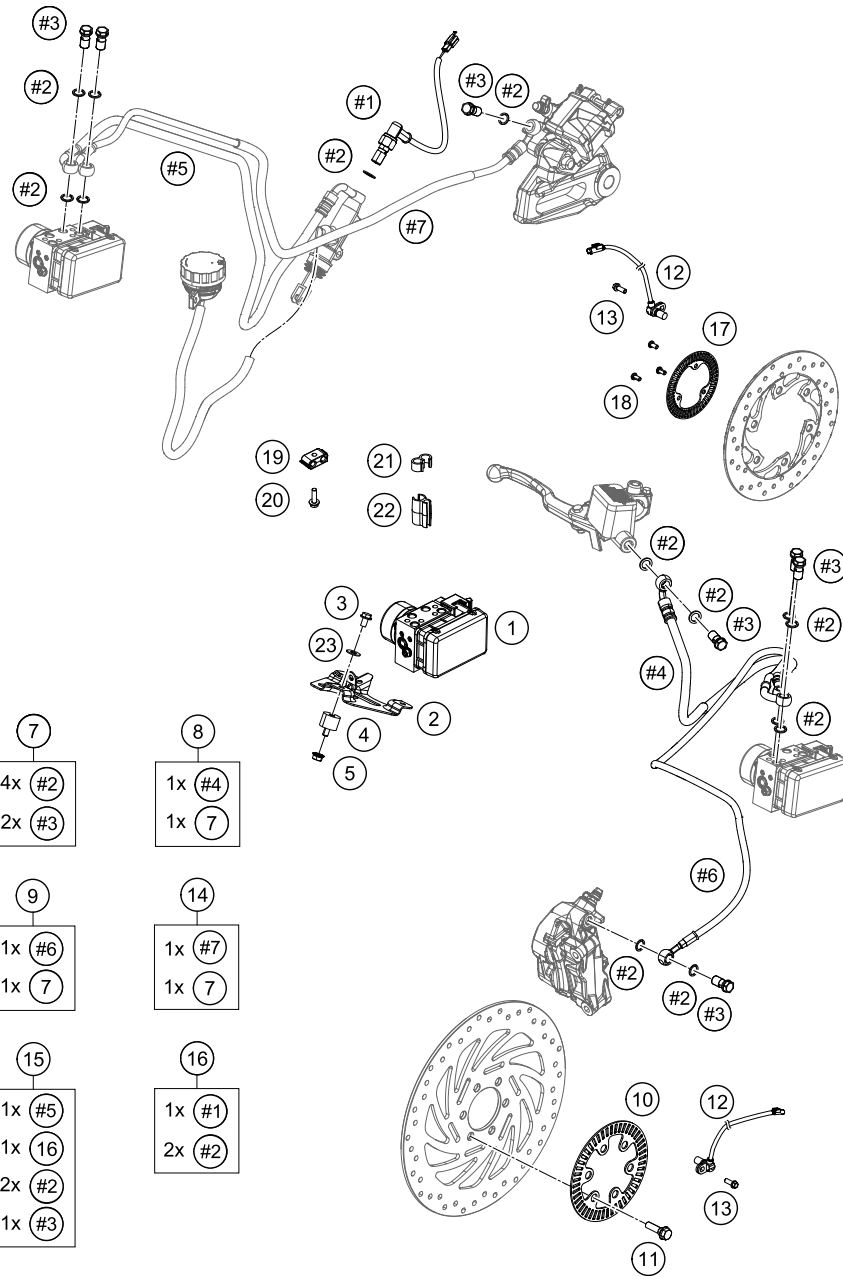
POS	PARTNUMBER	PARTNAME	PIECE
1	90514069000	SPEEDOMETER	1
2	90514006000	SPEEDOMETER BRACKET	1
3	0081050121	SCREW FOR PLASTIC K50X12 T20	3
4	90507050033	SEAT LOCK CPL.	1
5	90508025033	LOCK BATTERY CASE CPL.	1
13	90511066100	IGNITION SWITCH	1
14	90130059000	HH COLLAR SCREW M6X16	2
15	90507008000	TANK CAP	1
16	90107050050	SEAT LOCK	1
17	90107050051	BRACKET SEAT LOCK	1
20	90511066044	LOCK SET	x
21	90111067100	BLANK KEY 125/200 DUKE	1

149051430

C149051430

* NEW PART

X ON DEMAND

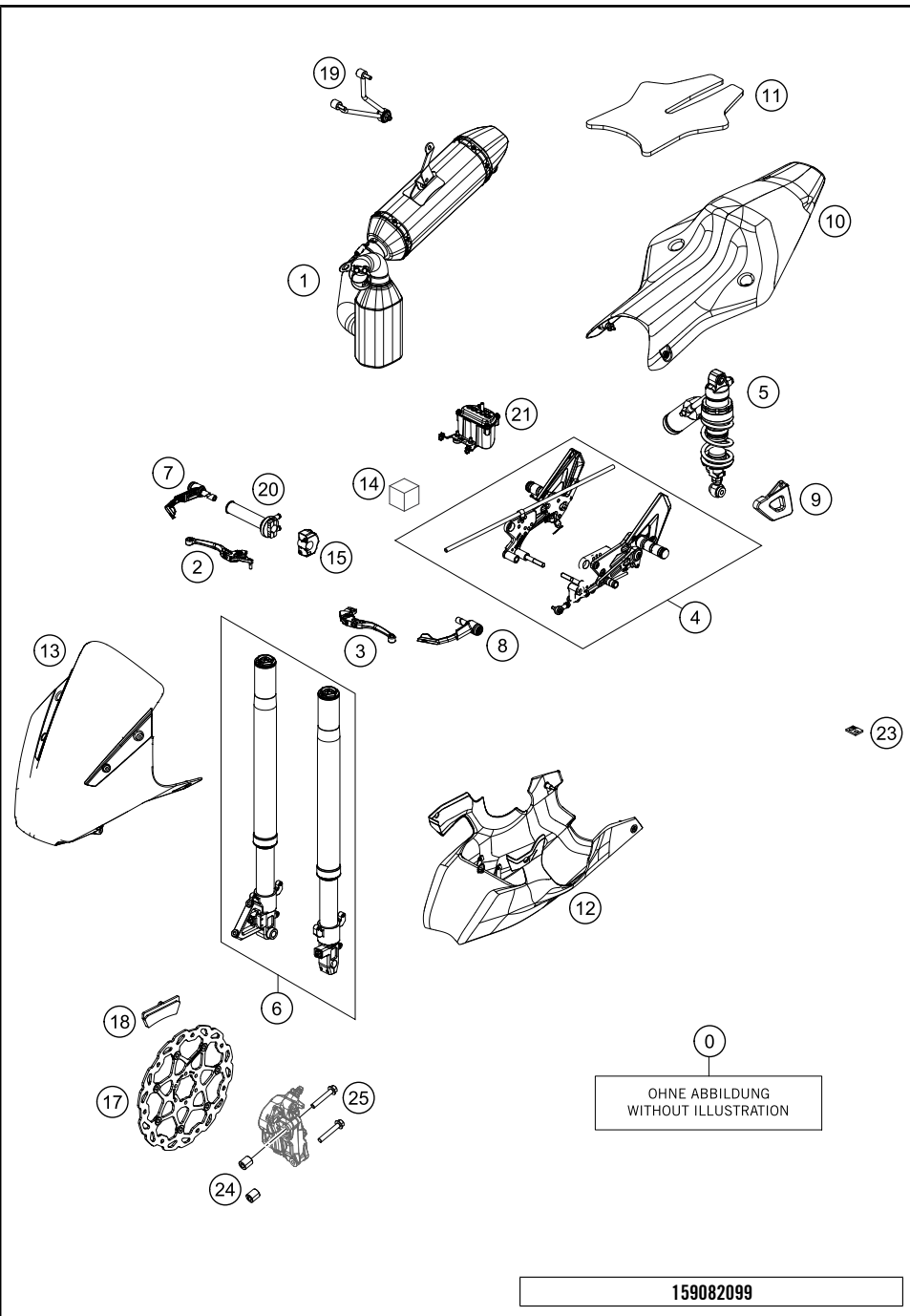


POS	PARTNUMBER	PARTNAME	PIECE
1	90542031000	ABS MODUL	1
2	90642040000	BRACKET ABS MOUNTING	1
3	J026060083	HH COLLAR SCREW M6X8 SW10	3
4	90135001001	RUBBER GROMMET	3
5	J926060000	FLANGED NUT M6 WS10 SELF LOCK.	3
7	90113013044	BANJO BOLT KIT	x
8	90542001044	BRAKE HOSE KIT ABS-FRONT CYL.	x
9	90642004044	BRAKE HOSE KIT ABS-FRONT CAL.	x
10	90142020000	SENSOR DISC FRONT	1
11	90109062000	SPECIAL SCREW M8X30 SELF LOCK.	6
12	90142025000	ABS-SENSOR	2
13	J028060166	BOLT M6X16	2
14	90642001044	BRAKE HOSE KIT ABS-REAR CAL.	x
15	90542002044	BRAKE HOSE KIT ABS-REAR CYL.	1
16	90111051044	BREAK LIGHT SWITCH REAR KIT	x
17	90142021000	SENSOR DISC REAR	1
18	90142021001	SCREW FOR ABS	3
19	90113024000	CLAMP FOR ABS HOSE	2
20	J025050183	BOLT M5X18	2
21	90113035000	CLAMP SENSOR CABLE HOLDING	4
22	90113055100	HOSE CLAMP	1
23	90108015020	WASHER	3

C149054210

* NEW PART

X ON DEMAND



POS	PARTNUMBER	PARTNAME	PIECE
0	90811946044	SIDESTAND DISMOUNTING KIT	1
0	9051095104304	SPROCKET ALU 43T	x
0	9051095104404	SPROCKET ALU 44T	x
0	9051095104604	SPROCKET ALU 46T	x
0	61029055500	FRONT HEADSTOCK STAND	1
0	61029955620	% PIN	1
0	69329955000	REAR WHEEL LIFTING DEVICE	1
0	78012006000	PIT MAT	1
0	69329955020	V-ADAPTER	1
0	90229955044	BUSHING KIT FOR LIFTING DEVICE	1
0	76314040044	ADDITIONAL REAR LIGHT CPL.	1
0	7723199700004	BREATHING HOSE ORANGE	1
0	55009086000	PLUG SFL13	1
1	90805999000	SLIP ON SYSTEM KTM RC/DUKE 390	1
2	90513950044	FOLDING LEVER BRAKE	1
3	90502931044	FOLDING LEVER CLUTCH	1
4	90803937144	FOOTREST CPL.	1
5	15180N0201	MONOSHOCK WP RC CUP	1
6	05182N0201	FORK WP RC CUP	1
7	61313932144	BRAKE LEVER GUARD	1
8	61313931144	CLUTCH LEVER GUARD CPL.	1
9	90504965000	CHAIN GUARD	1
10	90508918044	REAR FAIRING GRP CPL.	1
11	90507918120	SEAT REST	1
12	90508920044	BELLY PAN GRP CPL.	1
13	90508908044	WINDSCREEN RACING CPL	1
14	90807990000	TANK FOAM RACING 60X60X60	1
15	90811974000	START/KILLSWITCH	1
17	90809960000	WAVE BRAKEDISC FRONT D320	1
18	90813030000	BRAKE PAD FRONT TT2910HH	2
19	90805984044	BRACKET -AKRO SLIP ON SILENCER	1
20	69002010200	THROTTLE GRIP CPL.	1
21	90512936044	EXPANSION TANK CPL.	1
23	90241001006	POWER REDUCTION PLATE	1
24	90813998050	BUSHING 8.2X17X20	2
25	0912080709	ALLEN SCREW DIN 912 - M8X1X70	2

OHNE ABBILDUNG
WITHOUT ILLUSTRATION

159082099

C159082099

* NEW PART X ON DEMAND

A large, empty rectangular box with a thin black border, occupying the majority of the page. It is intended for handwritten notes.

A large, empty rectangular box with a thin black border, occupying most of the page. It is intended for handwritten notes.

A large, empty rectangular box with a thin black border, occupying the majority of the page. It is intended for the user to write their notes.

WWW.KTM.COM



KTM Sportmotorcycle GmbH
5230 Mattighofen, Austria
www.ktm.com



KTM_POWERPARTS

KTM_POWERWEAR

KTM_ORIGINAL SPARE PARTS



3CFF539901EN

Art. Nr.: 3CFF539901EN 20. Juli 2015