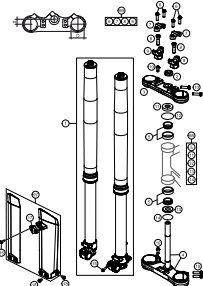
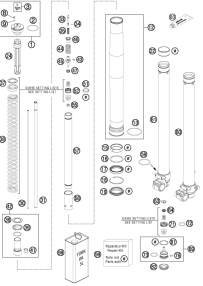
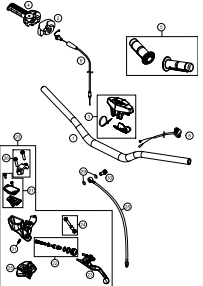
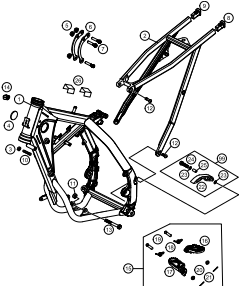
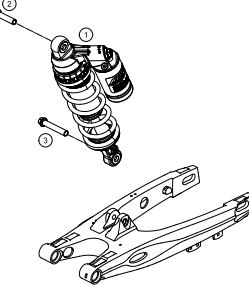
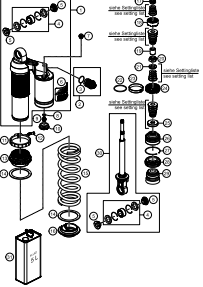
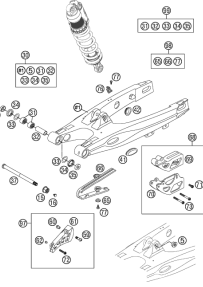
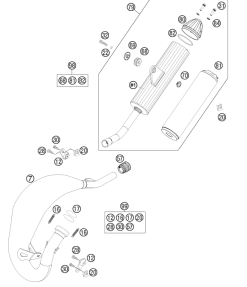
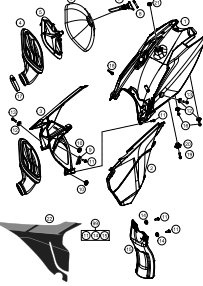
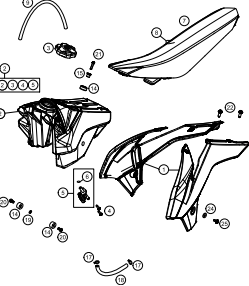
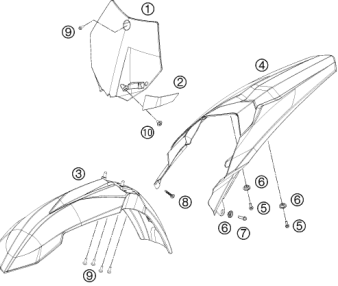
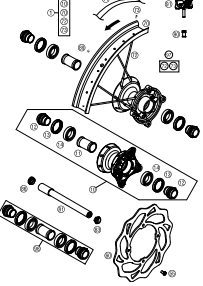


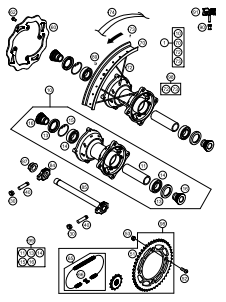
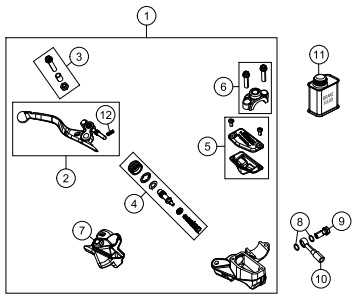
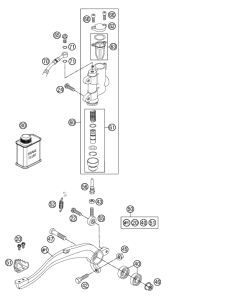
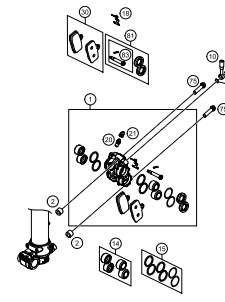
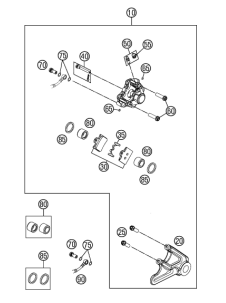
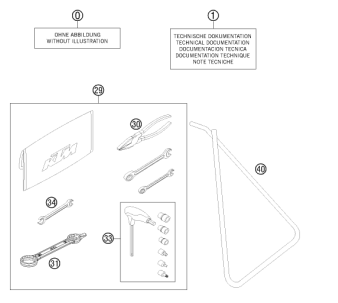
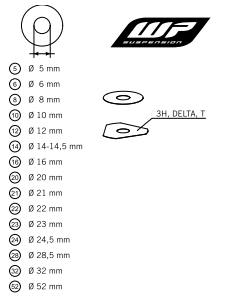

**85 SX 19/16 2014**

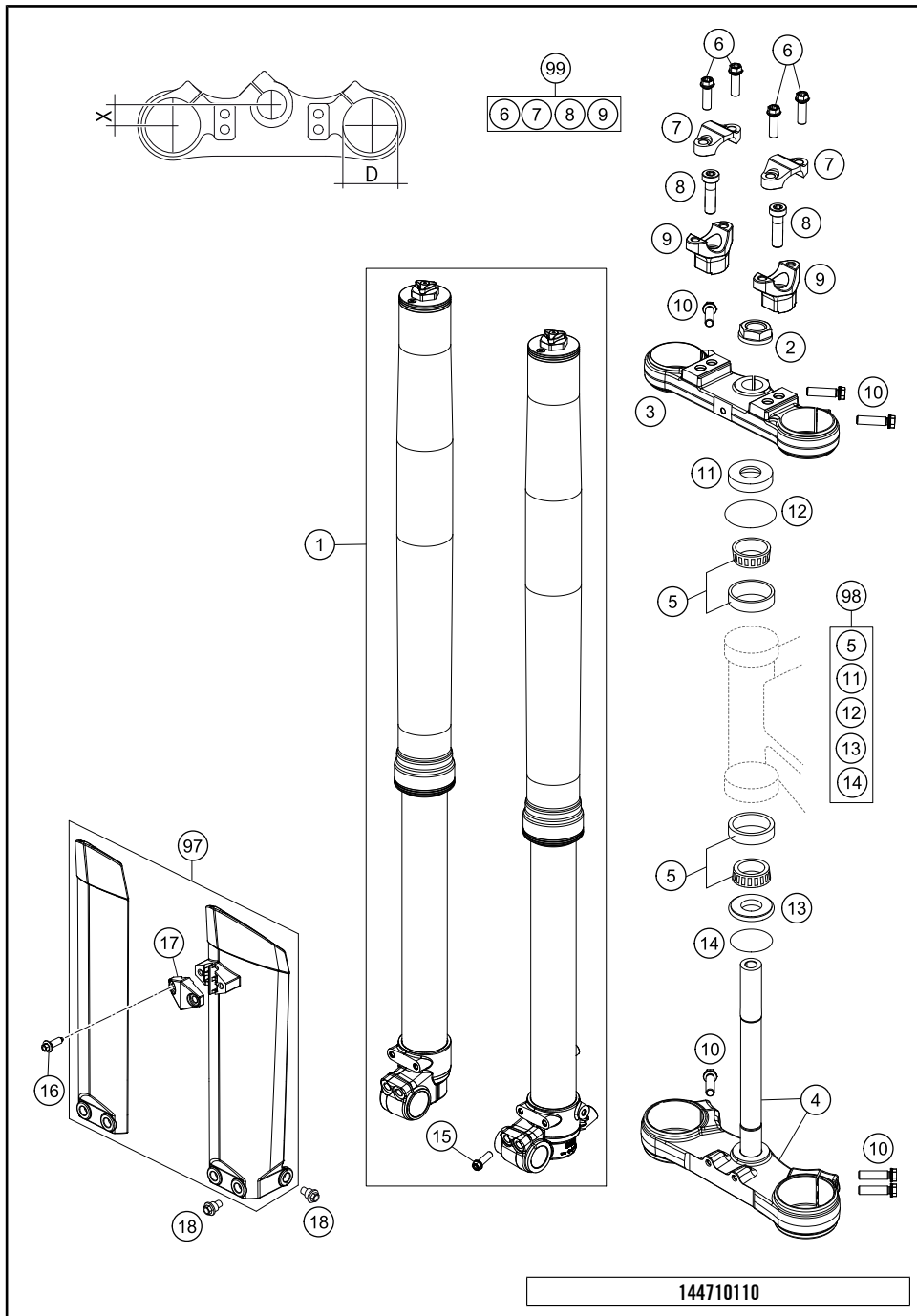
**ART.-NR.: 3CFF6001N9EN**





|  |  |   |  |
|--|--|---|--|
| <p><b>FRONT FORK, TRIPLE CLAMP</b></p>  <p><b>3</b></p> | <p><b>FRONT FORK DISSASSEMBLED</b></p>  <p><b>4</b></p>     | <p><b>HANDLEBAR, CONTROLS</b></p>  <p><b>6</b></p> | <p><b>FRAME, SUB FRAME</b></p>  <p><b>7</b></p> |
| <p><b>SHOCK ABSORBER</b></p>  <p><b>8</b></p>           | <p><b>SHOCK ABSORBER DISSASSEMBLED</b></p>  <p><b>9</b></p> | <p><b>SWING ARM</b></p>  <p><b>10</b></p>          | <p><b>EXHAUST SYSTEM</b></p>  <p><b>11</b></p>  |
| <p><b>AIR FILTER</b></p>  <p><b>12</b></p>            | <p><b>TANK, SEAT, COVER</b></p>  <p><b>13</b></p>         | <p><b>MASK, FENDER</b></p>  <p><b>14</b></p>     | <p><b>FRONT WHEEL</b></p>  <p><b>15</b></p>   |

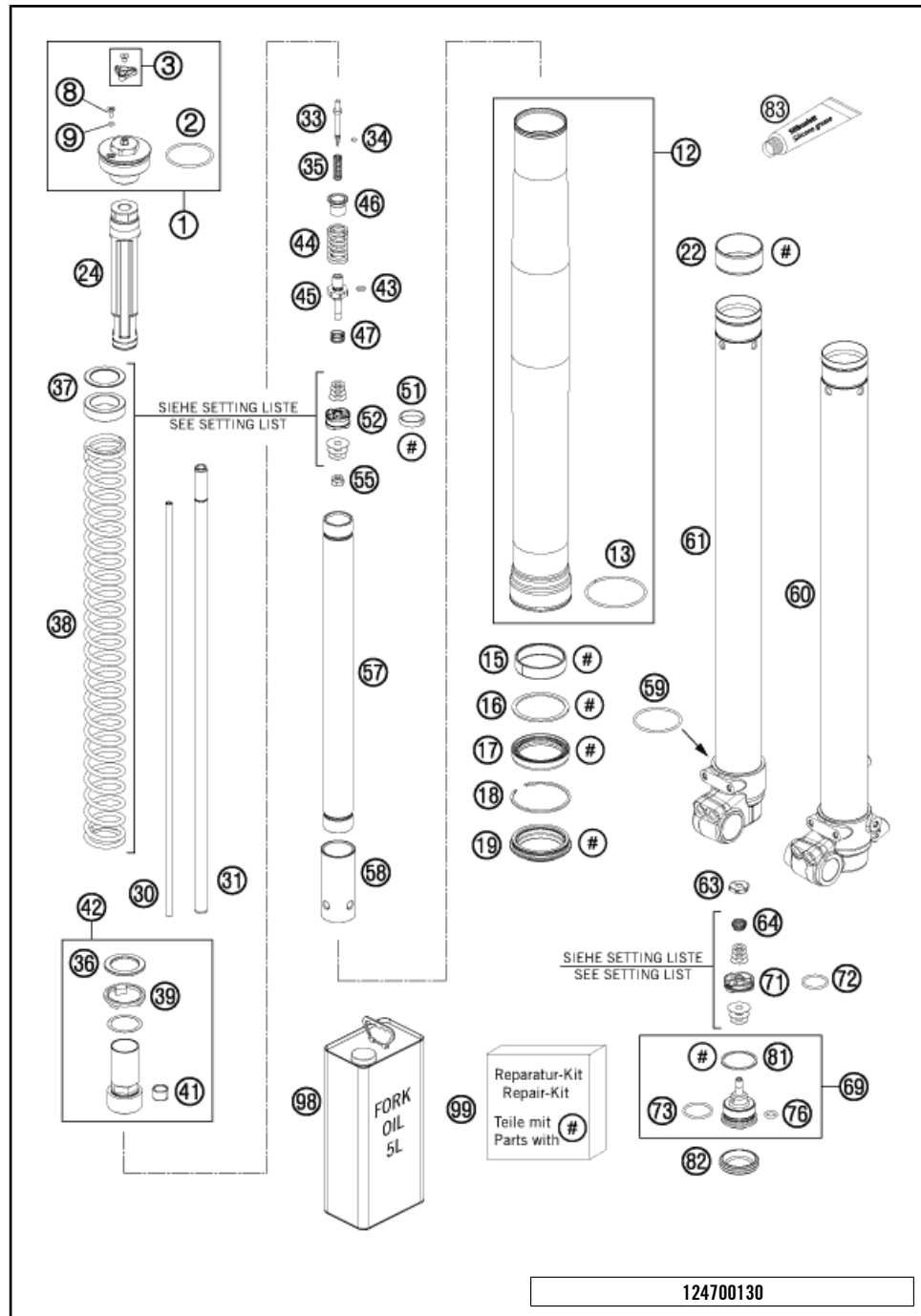
|  |   |  |   |
|--|---|--|---|
| <p><b>REAR WHEEL</b></p>  <p style="text-align: right;"><b>16</b></p>         | <p><b>HAND BRAKE CYLINDER</b></p>  <p style="text-align: right;"><b>17</b></p>  | <p><b>REAR BRAKE CONTROL</b></p>  <p style="text-align: right;"><b>18</b></p>   | <p><b>BRAKE CALIPER FRONT</b></p>  <p style="text-align: right;"><b>19</b></p> |
| <p><b>BRAKE CALIPER REAR</b></p>  <p style="text-align: right;"><b>20</b></p> | <p><b>ACCESSORIES KIT</b></p>  <p style="text-align: right;"><b>21</b></p>  | <p><b>WP SHIMS FOR SETTING</b></p>  <p style="text-align: right;"><b>22</b></p> |   |
|  | <div style="display: flex; align-items: center;">  <p>                     All information contained is without obligation. KTM Sportmotorcycle GmbH particularly reserves the right to modify any equipment, technical specifications, prices, colors, shapes, materials, services, service work, constructions, equipment and the like so as to adapt them to local conditions or to cancel any of the above items, all without previous announcement and without giving reasons. KTM may stop manufacturing certain models without previous notice. KTM shall not be held liable for any deviations of availability and/or ability to deliver, illustrations, descriptions, printing and/or other errors. The illustrated models partly contain extra equipment, which is not applied to standard models.<br/><br/>                     © by KTM Sportmotorcycle GmbH, Mattighofen AUSTRIA; All rights reserved; Reprint, also in extracts, with written allowance of KTM Sportmotorcycle GmbH, Mattighofen only.                 </p> </div> |  |   |



| POS | PARTNUMBER    | PARTNAME                       | PIECE |
|-----|---------------|--------------------------------|-------|
| 1   | 05187M0501    | FORK WP 85SX 2013              | 1     |
| 2   | 59030029000   | HH NUT M20X1,5 WS=27 RIGHT     | 1     |
| 3*  | 47101034114   | TOP TRIPLE CLAMP               | 1     |
| 4*  | 47101032114   | BOTTOM TRIPLE CLAMP CPL.       | 1     |
| 5   | 49001081000   | TAPERED ROLLER BEARING 32004X  | 2     |
| 6   | 0025080256    | HH COLLAR SCREW M8X25 TX40     | 4     |
| 7   | 77201038000   | HANDLEBAR CLAMP 28MM           | 2     |
| 8   | 0032100356S   | AH-COLLAR SCREW M10X35 ISA45   | 2     |
| 9   | 59401039037   | HANDLEB.SUPP. D=28MM H=37MM 05 | 2     |
| 10  | 0025080306    | HH COLLAR SCREW M8X30 TX40     | 6     |
| 11  | 49001086000   | COVERING CAP                   | 1     |
| 12  | 0770021300    | O-RING 40,94X2,62 NBR70        | 1     |
| 13  | 46001086000   | PROTECTION RING 20,1X39X5      | 1     |
| 15  | 0025080206    | HH COLLAR SCREW M8X20 TX40     | 4     |
| 16* | 0017060206    | SCREW F. PLASTIC K60X20AL SW6  | 2     |
| 17  | 7800108500028 | CLAMP F. SPEED. CABLE D=6MM 08 | 1     |
| 18  | 59001092050   | SPECIAL SCREW M6X12,5 WS=8     | 6     |
| 97  | 4710109400028 | FORK PROTECTOR SET 85SX WHITE  | 1     |
| 98  | 00050000931   | STEERING HEAD REP. KIT MINI    | x     |
| 99  | 00050000921   | HANDLEBAR SUPPORT KIT D28/H37  | x     |

C144710110

\* NEW PART X ON DEMAND

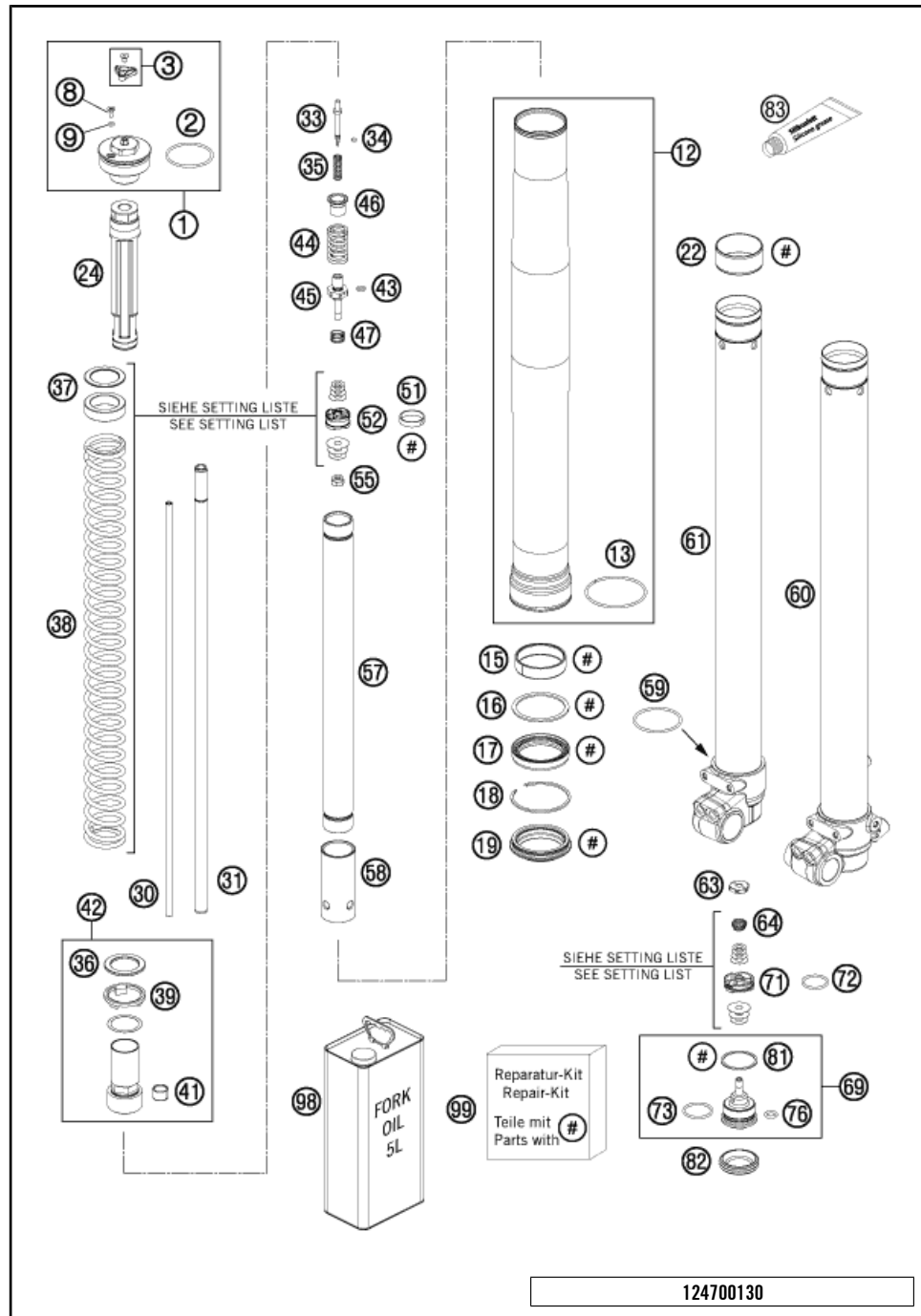


| POS | PARTNUMBER | PARTNAME                       | PIECE |
|-----|------------|--------------------------------|-------|
| 1   | 43570395S1 | SCREW CAP M4X1,5 CPL.          | 2     |
| 2   | 46811042   | O-RING 40,00X2,00 WP           | 2     |
| 3   | 48600812S  | ADJUSTING KNOB + SCREW         | 2     |
| 8   | 48600481   | VENT SCREW M4X8                | 2     |
| 9   | 48600046   | O-RING NBR 3X1,5               | 2     |
| 12  | 43570614E  | OUTER TUBE L510 D49/53         | 2     |
| 13  | 43570099   | GUIDING RING D=53MM            | 2     |
| 15  | 43570618   | GUIDE BUSHING 43X47X12         | 2     |
| 16  | 43570092   | SUPPORT RING 45 X 52,5 X 1,5   | 2     |
| 17  | 43570201   | OIL SEAL RING 43 X 52,9 X 9,5  | 2     |
| 18  | 43570008   | LOCK WASHER SB53               | 2     |
| 19  | 43570202   | DUST STRIPPER 43 X 53,4 X 11,8 | 2     |
| 22  | 43570617   | GUIDE BUSHING 42X44X20 R11     | 2     |
| 24  | 43570396S  | STOP L135MM D28,6MM D12MM CPL. | 2     |
| 30  | 48600695   | ADJUSTMENT TUBE L=442 MM       | 2     |
| 31  | 48600694   | PISTON ROD D=12MM L=476MM      | 2     |
| 33  | 48600277   | ADJUSTER NEEDLE 07             | 2     |
| 34  | 48600298   | O-RING 2X1,5 NBR               | 2     |
| 35  | 48600444   | REBOUND SPRING C=4N/MM         | 2     |
| 36  | 43570133   | SPACER 26X38X2,5               | 2     |
| 37  | 43570133   | SPACER 26X38X2,5               | 2     |
| 37  | 43570134   | SPACER 26X38X5                 | 2     |
| 37  | 43570135   | SPACER 26X38X10                | 2     |
| 37  | 43570136   | SPACER 26X38X1,5               | 2     |
| 38  | 95010032S  | SPRING 3,4 N/MM SET D=4,4MM    | x     |
| 38  | 95010033S  | SPRING 3,6 N/MM SET            | x     |
| 38  | 95010031S  | SPRING 3,2 N/MM SET D=4,2MM    | x     |
| 39  | 43570131   | INTERM. RING 26,2X38,5X3       | 2     |
| 41  | 48600430   | DU BUSH FOR PISTON ROD         | 2     |
| 42  | 48600830S2 | SCREW SLEEVE M27X0,8 CPL.      | 2     |
| 43  | 48600299   | O-RING 6X1,2 NBR               | 2     |
| 44  | 48600511   | REBOUND SPRING L=32 C=17       | 2     |
| 45  | 48600513   | TAP REBOUND 07                 | 2     |
| 46  | 48600525   | GUIDING BUSH REBOUND SPRING    | 2     |
| 47  | 48600382   | SHUTTLE VALVE SPRING C=0,4     | 2     |
| 51  | 48600455   | PISTON RING 5X1X68             | 2     |
| 52  | 48600575   | PISTON REBOUND SX 2007         | 2     |
| 55  | 40540486   | NUT M6X0,5 REBOUND             | 2     |

124700130

C144710130

\* NEW PART X ON DEMAND

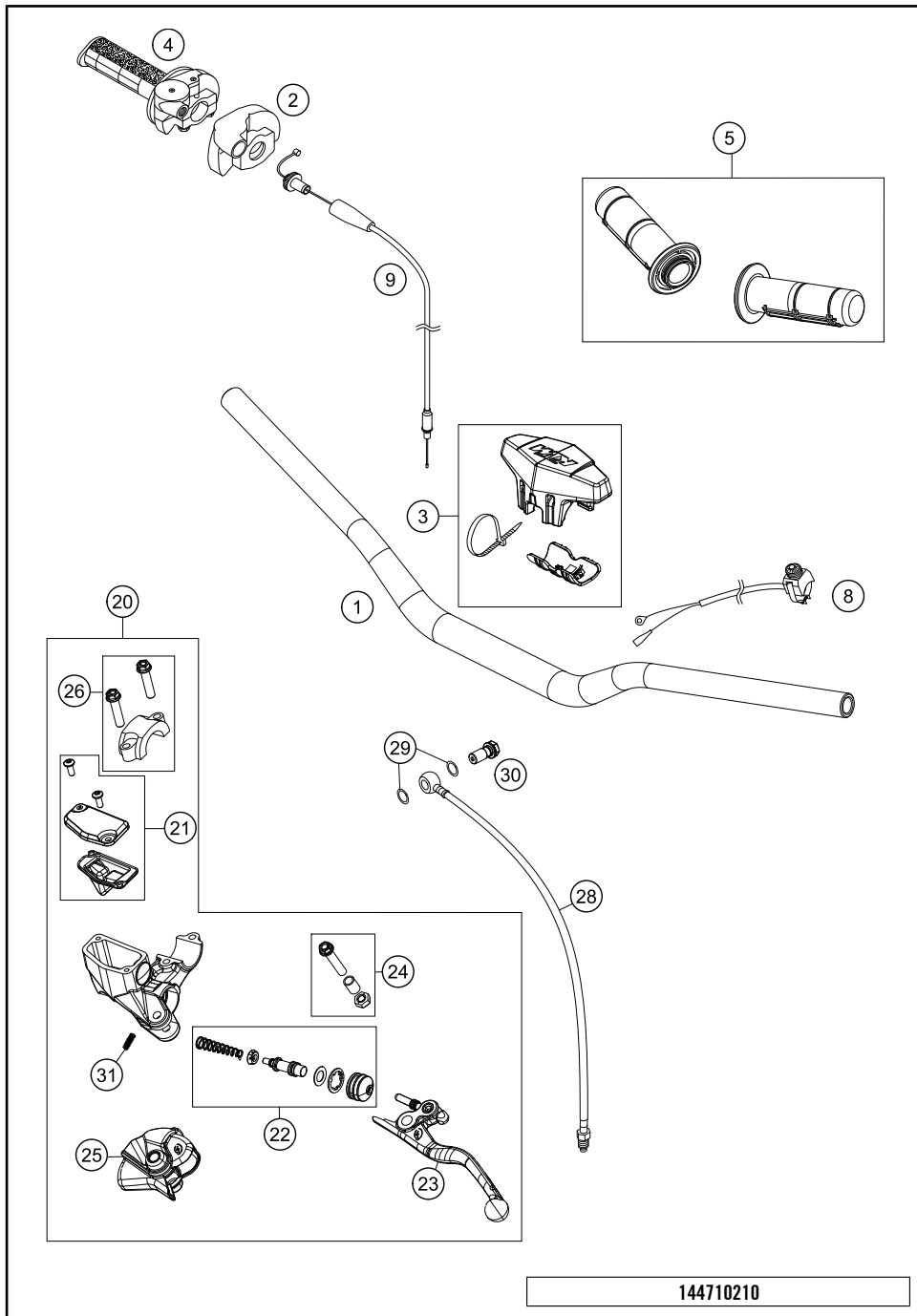


| POS | PARTNUMBER | PARTNAME                     | PIECE |
|-----|------------|------------------------------|-------|
| 57  | 48600870   | TUBE 23 L=330                | 2     |
| 58  | 48600764   | ADAPTER SLEEVE D23/D28       | 2     |
| 59  | 43570023   | O-RING NBR 41X2              | 2     |
| 60  | 43570559S1 | AXLE CLAMP L/S + TUBE CPL.   | 1     |
| 61  | 43570558S1 | AXLE CLAMP R/S + TUBE CPL.   | 1     |
| 63  | 48600885   | NUT VALVE M6X0,5 LH=1,2      | 2     |
| 64  | 48600202   | SPRING CHECK VALVE D=0,7     | 2     |
| 69  | 48600586S  | % TAP COMPRESSION CPL. 07    | 2     |
| 71  | 48600047   | PISTON COMPRESSION D=27,9    | 2     |
| 72  | 46811499   | O-RING NBR 21X2              | 2     |
| 73  | 35480320   | O-RING NBR 24X2              | 2     |
| 76  | 48600049   | O-RING NBR 8X2               | 2     |
| 81  | 48600004   | COPPER WASHER 29,5X33,5X1    | 2     |
| 82  | 48600141   | RUBBER CAP D=35MM            | 2     |
| 83  | T511       | SILICONE GREASE F. DUST STRI | 1     |
| 98  | 48601166S1 | FORK OIL SAE4 5L             | 1     |
| 99  | R511       | REPAIR-KIT                   | 1     |

124700130

C144710130

\* NEW PART X ON DEMAND



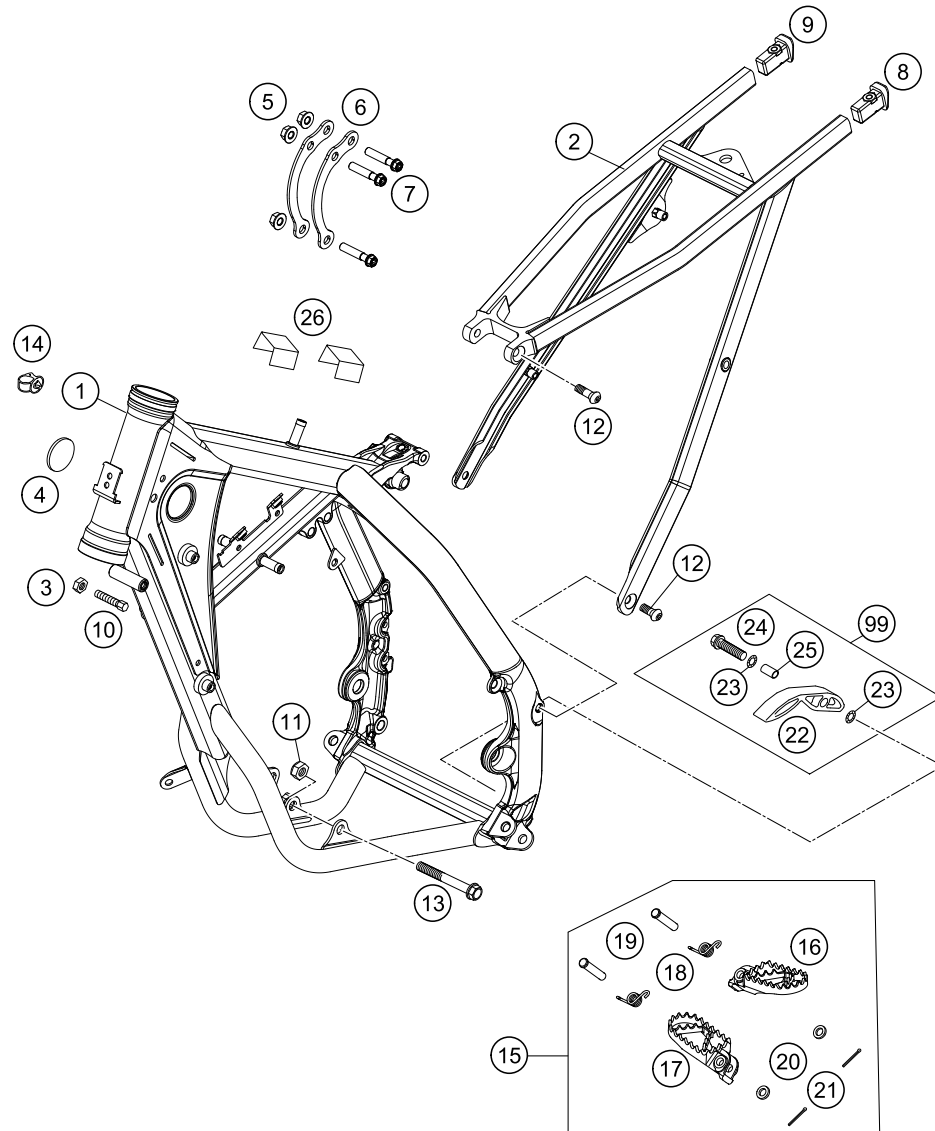
| POS | PARTNUMBER  | PARTNAME                       | PIECE |
|-----|-------------|--------------------------------|-------|
| 1   | 47102001000 | HANDLEBAR 85SX 2013            | 1     |
| 2   | 50302020000 | PROTECTION COVER '97           | 1     |
| 3   | 77202002144 | BAR PAD CPL.                   | 1     |
| 4   | 50302010000 | %THR.TWIST CRIP CPL. W.O C.'97 | 1     |
| 5   | 63002021100 | GRIP SET DUAL COMPOUND         | 1     |
| 8   | 50311089200 | SHORT CIRCUIT BUTTON 02        | 1     |
| 9   | 51502091100 | THROTTLE CABLE 2T.DOM/KEIH. 13 | 1     |
| 20* | 72002030100 | MASTER CYLINDER CPL. 10MM      | 1     |
| 21  | 72002003000 | COVER F. MASTER CYLINDER CPL.  | 1     |
| 22* | 72002032000 | REP. KIT PISTON 10MM           | 1     |
| 23* | 72013002000 | LEVER CPL.                     | 1     |
| 24  | 70002038000 | LEVER SCREW CPL.               | 1     |
| 25  | 72002037000 | MUDCOVER CLUTCH LEVER          | 1     |
| 26  | 72013005000 | CLAMP                          | 1     |
| 28  | 47132063000 | CLUTCH PIPE                    | 1     |
| 29  | 0770080019  | O-RING 8,00X1,00 FORMULA       | 2     |
| 30  | 47013025000 | HOLLOW SCREW BRAKE CYLINDER 03 | 1     |
| 31  | 72002035000 | SPRING FOR CLUTCH LEVER        | 1     |

144710210

C144710210

\* NEW PART X ON DEMAND





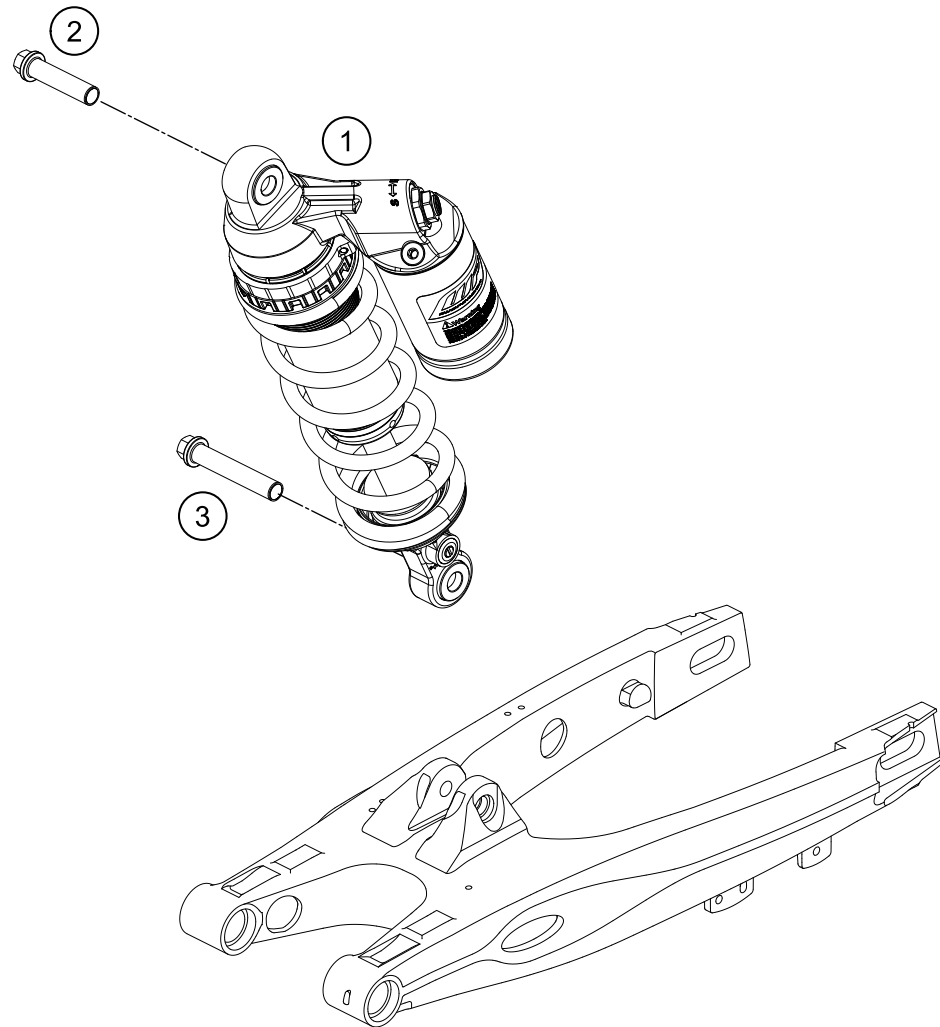
144710310

| POS | PARTNUMBER    | PARTNAME                       | PIECE |
|-----|---------------|--------------------------------|-------|
| 1   | 47103001000BE | FRAME "471M3" ANTHR.-MET.      | 1     |
| 2   | 47103002000   | SUB FRAME                      | 1     |
| 3   | 0934080003    | HEXAGON NUT DIN0934-M 8        | 2     |
| 4   | 54606004000   | PLUG 37MM                      | 2     |
| 5   | 54310086200   | SELF LOCKING NUT M8 10.9       | 3     |
| 6*  | 47103013100   | REINFORCING                    | 2     |
| 7   | 0025080356    | HH COLLAR SCREW M8X35 TX40     | 3     |
| 8*  | 78103002010   | SUB FRAME APPLICATION LEFT     | 1     |
| 9*  | 78103002020   | SUB FRAME APPLICATION RIGHT    | 1     |
| 10  | 59001037000   | SPECIAL SCREW M8X26 WS=10      | 1     |
| 11  | 54310086100   | SELF LOCKING NUT M10 CU WS=14  | 2     |
| 12  | 0019080206S   | FLAT HEAD SCREW M. ISA45 M8X20 | 4     |
| 13  | 47003013000   | ENGINE BRACKET SCREW 85 SX     | 2     |
| 14  | 58111076000   | CABLE SUPPORT KHS NR.150-47610 | 2     |
| 15* | 47103040033   | FOOTREST CPL. 14               | 1     |
| 16* | 47103040000   | FOOTREST L/S                   | 1     |
| 17* | 47103041000   | FOOTREST R/S                   | 1     |
| 18  | 54603041000   | FOOTREST SPRING L/S & R/S      | 2     |
| 19  | 54803044000   | PIN FOR FOOT PED 51.5X9.8 MM   | 2     |
| 20  | 0125100003    | WASHER DIN0125-A10,5           | 2     |
| 21  | 0094032253    | PIN DIN0094-3,2X25 STEEL       | 2     |
| 22  | 51103053000   | CHAIN SLIDING PIECE BELOW '97  | 1     |
| 23  | 36003014000   | LOCK WASHER 8MM                | 2     |
| 24  | 0025080306    | HH COLLAR SCREW M8X30 TX40     | 1     |
| 25  | 51103053051   | BUSHING 8,2X10X20              | 1     |
| 26  | 50307012000   | ADH. FOIL TRANSP. 80X80 MM 04  | 2     |
| 99  | 51103053110   | CHAIN SLIDING KIT BELOW MINI   | 1     |

C144710310

\* NEW PART

X ON DEMAND



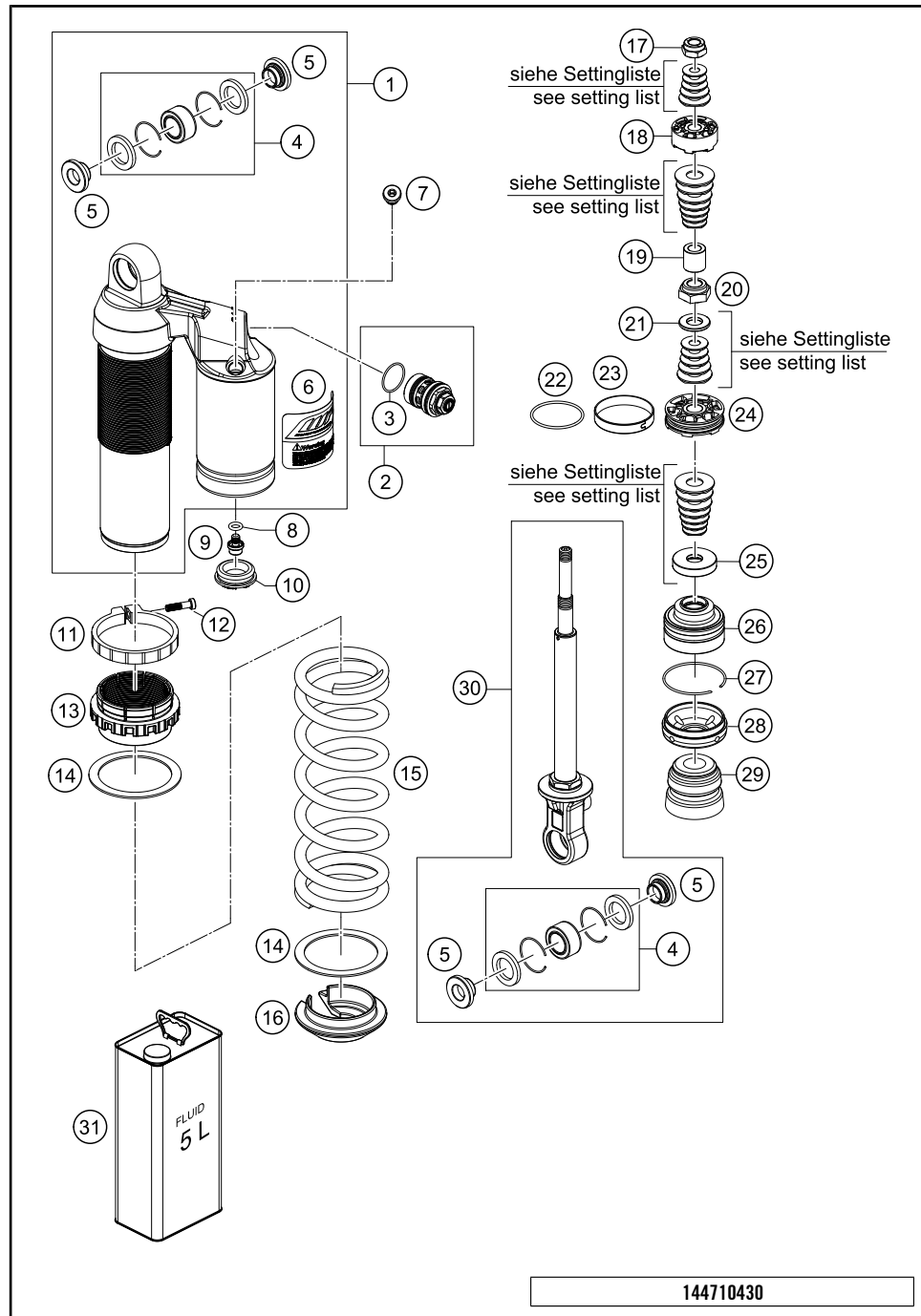
| POS | PARTNUMBER  | PARTNAME                    | PIECE |
|-----|-------------|-----------------------------|-------|
| 1*  | 15187N0201  | MONOSHOCK 85SX 2014         | 1     |
| 2   | 0025120506S | HH COLLAR SCREW M12X50 TX45 | 1     |
| 3   | 0015120556S | HH COLLAR M12X55 WS=13 06   | 1     |

144710410

C144710410

\* NEW PART

X ON DEMAND

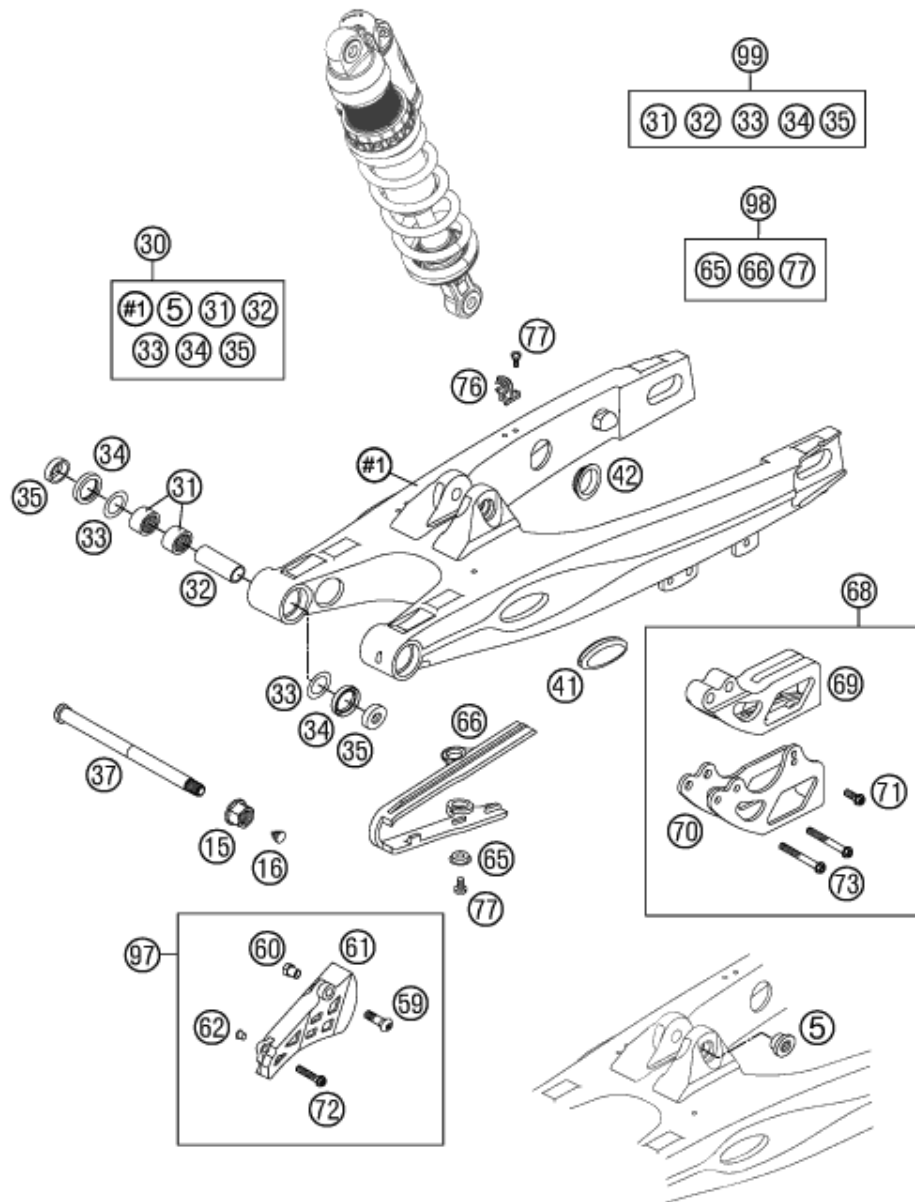


| POS | PARTNUMBER  | PARTNAME                       | PIECE |
|-----|-------------|--------------------------------|-------|
| 1*  | 46181019S1  | MONOSHOCK CASE CPL.            | 1     |
| 2*  | 50180213S10 | DCC-COMPR.DAMP.CONTROL CPL. 07 | 1     |
| 3*  | 50180218    | O-RING 25X1,5 VITON            | 1     |
| 4   | R12012      | REP. KIT BEAR./SEAL UP. 07     | 2     |
| 5   | 46180007    | ADAPTOR BUSH KGW 12X24         | 4     |
| 6   | 52000087    | STICKER WP MONOSHOCK           | 1     |
| 7   | 50180095    | BLEED PLUG R 1/8               | 1     |
| 8   | 46810893    | O-RING NBR 5,28X1,78           | 1     |
| 9   | 36120151    | SCREW PLUG M5X6                | 1     |
| 10  | 46811208    | RUBBER CAP "DO NOT OPEN"       | 1     |
| 11  | 46181014    | TENSIONING RING D64 H10        | 1     |
| 12  | 14460042    | %ALLENHEAD SCREW M5 L=20 STAIN | 1     |
| 13  | 46181013    | ADJUSTING NUT D46 PLASTIC      | 1     |
| 14  | 50180410    | INTERM.RING D=58               | 2     |
| 15  | 91010272    | SPRING 215 30 N/MM D=9,00 ORAN | x     |
| 15  | 91010273    | SPRING 215 35 N/MM D=9,25 ORAN | 1     |
| 15  | 91010274S   | SPRING 215 40 N/MM D=9,50 ORG  | x     |
| 16  | 46180349    | SPRING WASHER H=15 D=28        | 1     |
| 17  | 46180356    | PISTON ROD NUT M10X1           | 1     |
| 18  | 46180744    | PISTON D35,4 PDS 2             | 1     |
| 19* | 46181025    | SANDWICH BUSH 10X17X17         | 1     |
| 20  | 46810474    | PISTON ROD NUT                 | 1     |
| 21  | 46811258    | RING 12X24X2,5                 | 1     |
| 22  | 46810035    | O-RING VITON 37,82X1,78        | 1     |
| 23  | 46811206    | PISTON RING 8X46               | 1     |
| 24  | 46810560    | PISTON 6+6D7                   | 1     |
| 25* | 46180337    | REBOUND DISC H=4               | 1     |
| 26  | 46180669S   | ADAPTOR CPL. D=46 H=28 07      | 1     |
| 27  | 46810010    | CIRCLIP 49X1,5                 | 1     |
| 28  | 46180338    | CAP D=46 H=9,5                 | 1     |
| 29* | 50180276    | BUMP RUBBER WP60 D=18-26       | 1     |
| 30* | 46180520S5  | MONOSHOCK LOWER PART           | 1     |
| 31  | 50180751S1  | SHOCK ABSORBER FLUID 5 LT      | 1     |

C144710430

C144710430

\* NEW PART X ON DEMAND



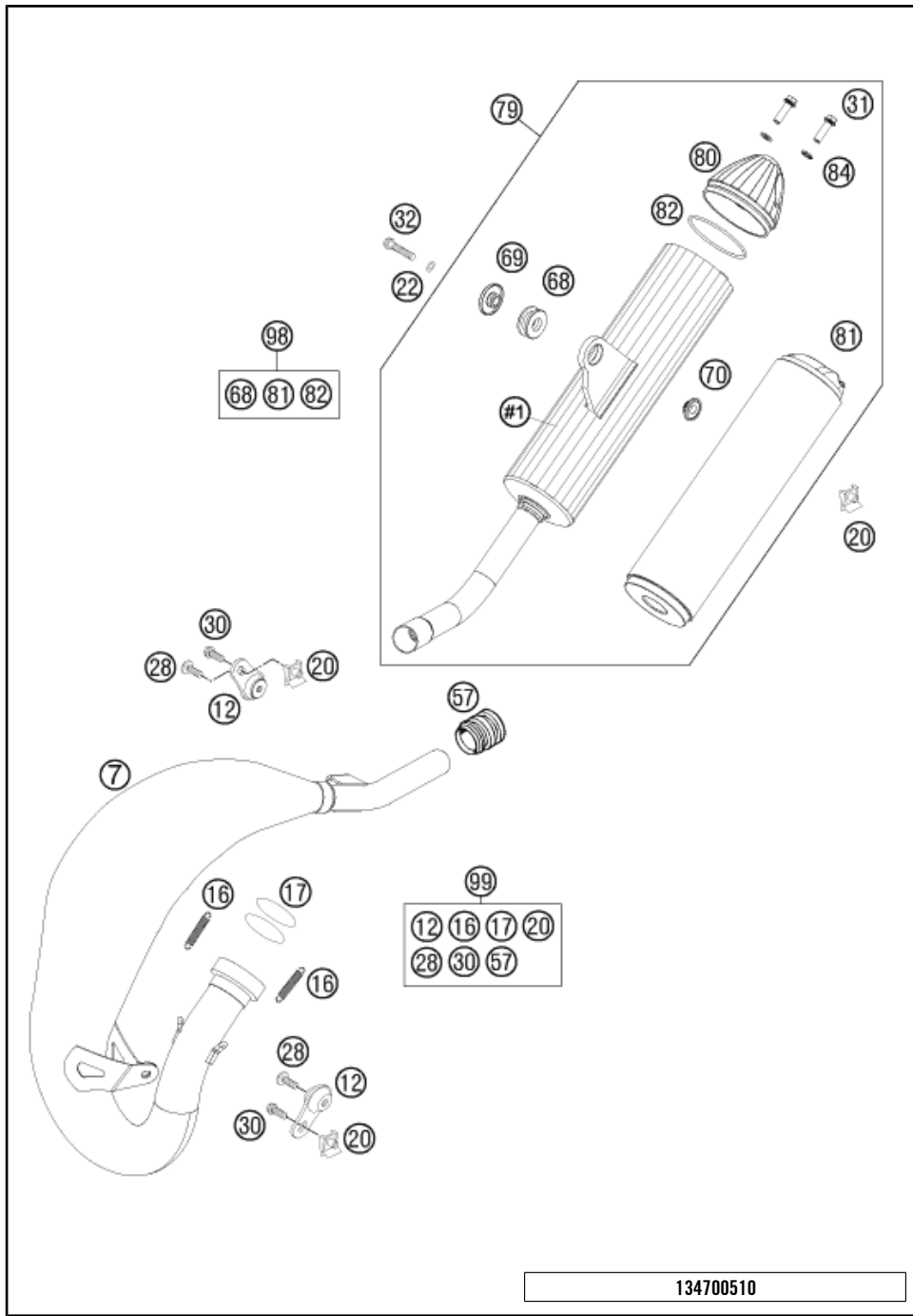
| POS | PARTNUMBER  | PARTNAME                       | PIECE |
|-----|-------------|--------------------------------|-------|
| 5   | 50180105    | THREADED BUSH M12 PDS          | 1     |
| 15  | 77204087000 | HEX NUT M14X1.5 SW17           | 1     |
| 16  | 54403135000 | PLASTIC CAP SFL10              | 1     |
| 30  | 47004030144 | SWINGARM 85SX CPL. 2004        | 1     |
| 31  | 59004031000 | NEEDLE BUSH HK2012V            | 4     |
| 32  | 50203081700 | BUSHING SLEEVE 15X20X38,75     | 2     |
| 33  | 59033080000 | SHIM 20X32X1                   | 4     |
| 34  | 0760253270  | SHAFT SEAL RING 25X32X7        | 4     |
| 35  | 54603090000 | BUCKET F.SHAFTSEALRING 15X25X9 | 4     |
| 37  | 47104037000 | SWING ARM BOLT 85 SX           | 1     |
| 41  | 58404041000 | CLOSING COVER SWINGARM SM 03   | 2     |
| 42  | 58404041100 | CLOSING COVER ROUND 03         | 4     |
| 59  | 0019080206  | COUNTER-SUNK SCREW ISA45 M8X20 | 1     |
| 60  | 47030060051 | THREADED BUSH FOR CHAIN GUARD  | 1     |
| 61  | 47007061000 | CHAIN GUARD 85 SX 2003         | 1     |
| 62  | 58314060050 | % SPACER BUSH. F. SPEEDOMET.B. | 1     |
| 65  | 72210079000 | BUCKET                         | 2     |
| 66  | 58404066000 | CHAIN SLIDING GUARD SM 03      | 1     |
| 68  | 54607069000 | CHAIN GUIDE KIT REAR CPL.      | x     |
| 69  | 54607066100 | CHAIN GUIDE REAR '94           | 1     |
| 70  | 54607070144 | RETAINING PLATE CPL.           | 1     |
| 71  | 0025060166  | HH COLLAR SCREW M6X16 TX30     | 1     |
| 72  | 0025060306  | HH COLLAR SCREW M6X30 TX30     | 1     |
| 73  | 0025060506  | HH COLLAR SCREW M6X50 TX30     | 2     |
| 76  | 54611076100 | RETAIN.CLAMP FOR BRAKE HOSE'96 | 2     |
| 77  | 0009050106  | EJOT SPIRAL SCREW SF M5X10-K   | 4     |
| 97  | 47007061010 | SPROCKET COVER KIT             | x     |
| 98  | 58404066010 | CHAIN GUARD KIT 105/85 SX      | 1     |
| 99  | 47004230010 | SWINGARM REP. KIT 105/85 SX    | 1     |

134700490

C144710490

\* NEW PART

X ON DEMAND

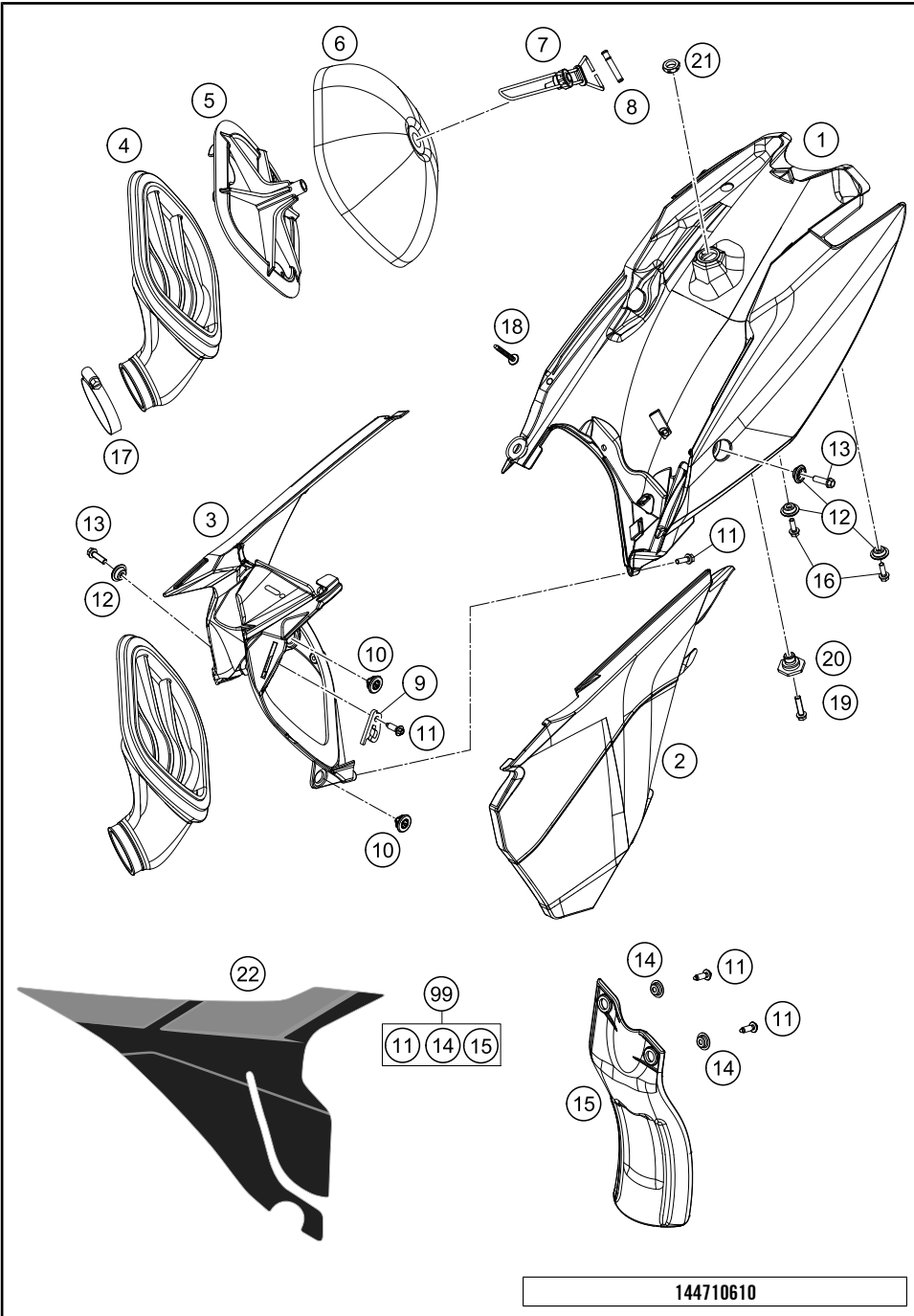


| POS | PARTNUMBER  | PARTNAME                      | PIECE |
|-----|-------------|-------------------------------|-------|
| 7   | 47005007100 | EXHAUST PIPE 85 SX 07         | 1     |
| 12  | 50305012000 | SWINGELEMENT FOR EXHAUST PIPE | 2     |
| 16  | 50305016000 | TEN.SPRING L=62MM EY.MOVEABLE | 2     |
| 17  | 0770380030  | O-RING 38,00X3,00 VITON       | 2     |
| 20  | 54603048100 | RANGE CHANGE METAL NUT M6     | 3     |
| 22  | 0137060003  | SPRING WASHER DIN0137-B 6     | 1     |
| 28  | 0024060106  | HH COLLAR SCREW M6X10 TX30    | 2     |
| 30  | 0025060166  | HH COLLAR SCREW M6X16 TX30    | 2     |
| 31  | 0025060206  | HH COLLAR SCREW M6X20 TX30    | 2     |
| 32  | 0025060306  | HH COLLAR SCREW M6X30 TX30    | 1     |
| 57  | 54605057000 | RUBBER SLEEVE D=21MM/23MM '93 | 1     |
| 68  | 77205068000 | DAMP. COMPON. BLACK           | 1     |
| 69  | 46205169000 | BUSHING 7.5X12X28X7.6         | 1     |
| 70  | 77205069000 | BUSHING 7.5x12x20x8.2 11      | 1     |
| 79  | 47005079100 | SILENCER 85 SX 06             | 1     |
| 80  | 50305079169 | SILENCER ENDCAP SX REAR       | 1     |
| 81  | 50305079160 | STUFFING YARN 160 GRAM        | 1     |
| 82  | 0770055020  | O-RING 55,00X2,00 NBR70       | 2     |
| 84  | 50233041000 | PAIR OF WASHERS M 6 NORDLOCK  | 2     |
| 98  | 00050000804 | SILENCER REP. KIT 160 GRAM    | 1     |
| 99  | 00050000812 | EXHAUST HARDWARE KIT MINI     | 1     |

134700510

C144710510

\* NEW PART X ON DEMAND

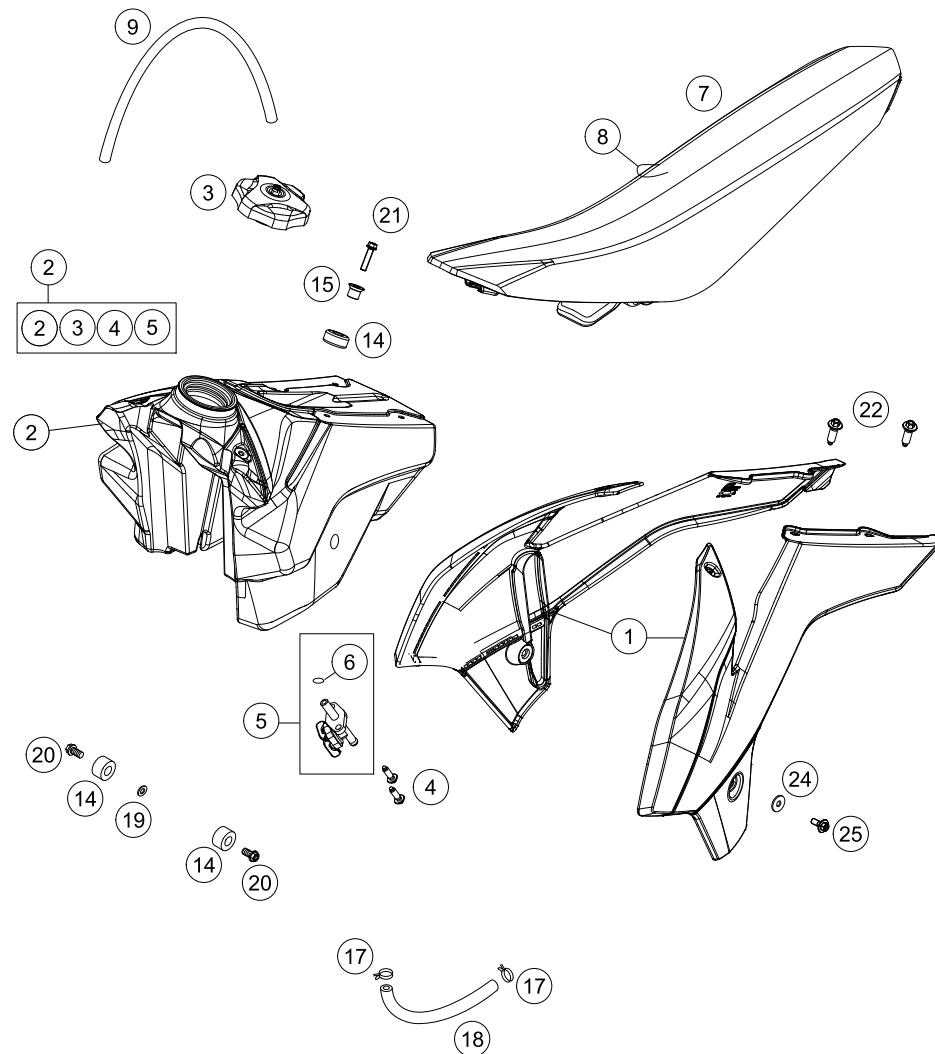


| POS | PARTNUMBER     | PARTNAME                            | PIECE |
|-----|----------------|-------------------------------------|-------|
| 1   | 4710600105228  | FILTER BOX PART REAR WHITE          | 1     |
| 2*  | 4710600300004B | FILTER COVER ORANGE 2014 WITH DECAL | 1     |
| 3   | 4710600101004  | AIR BOX PART ORANGE 2013            | 1     |
| 4   | 47106026000    | CARBURETOR CONNECTING               | 1     |
| 5   | 54806516000    | FILTER CARRIER                      | 1     |
| 6   | 77206015000    | AIR FILTER                          | 1     |
| 7   | 47106017000    | AIR FILTER SUPPORT BRACKET CPL      | 1     |
| 8   | 77306018000    | FILTER SUPPORT BUSH 07              | 1     |
| 9   | 47106019000    | FASTEN. DEVICE FILTER SUPPORT       | 1     |
| 10  | 47106003160    | QUICK CONNECTOR CLUTCH              | 2     |
| 11* | 0017060205     | SCREW FOR PLASTIC K6X20 SW6         | 4     |
| 12  | 77308013010    | COLLAR BUSH. F.REAR FENDER 07       | 4     |
| 13  | 0025060206     | HH COLLAR SCREW M6X20 TX30          | 2     |
| 14  | 46104066050    | BUSH FOR CHAINSLIDER GUARD 02       | 2     |
| 15  | 47106010000    | SPLASH PROTECTION                   | 1     |
| 16  | 0025050166     | HH COLLAR SCREW M5X16 TX30          | 2     |
| 17  | 78006027000    | HOSE CLAMP 45-65MM                  | 1     |
| 18* | 0017060405     | SPECIAL SCREW T60 6X40 WS=6         | 1     |
| 19  | 0025060256     | HH COLLAR SCREW M6X25 TX30          | 1     |
| 20  | 54807048000    | BUSHING FOR SEAT FASTENING 03       | 1     |
| 21  | 50314057050    | COLLAR NUT M12X1/WS17 H=5MM         | 1     |
| 22* | 47108096100    | STICKER AIRBOX 2014                 | 1     |
| 99  | 47106010010    | SPLASH PROTECTOR KIT 85 SX          | x     |

144710610

C144710610

\* NEW PART X ON DEMAND



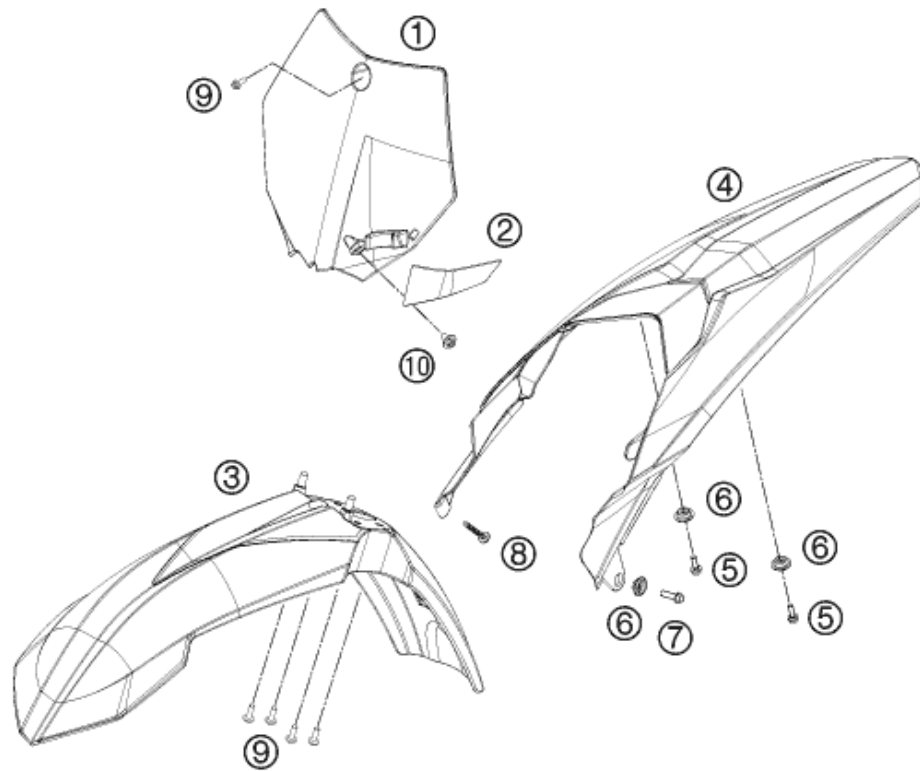
| POS | PARTNUMBER     | PARTNAME                          | PIECE |
|-----|----------------|-----------------------------------|-------|
| 1*  | 4710805400004B | SPOILER SET 85 SX 2014 WITH DECAL | 1     |
| 2*  | 4710701314430  | FUEL TANK CPL. 2014               | 1     |
| 3*  | 77707008144    | % TANK PLUG CPL. 2014             | 1     |
| 4   | 0017060253     | %EJOT PT SCREW K60X25-Z SW6       | 2     |
| 5   | 50307005000    | GAS COCK MIKUNI ON/OFF 2001       | 1     |
| 6   | 0770130023     | O-RING 13,00X2,30                 | 1     |
| 7   | 47107040000    | SEAT CPL.                         | 1     |
| 8   | 47107040050    | SEATCOVER 85 SX 2013              | 1     |
| 9   | 50332095200    | TUBE RUBBER 6X9 DVOH 200MM        | 1     |
| 14  | 50307014000    | TANK ROLLER 12X26X12 '98          | 3     |
| 15  | 77307026000    | TANK BUSHING 07                   | 1     |
| 17  | 45031005000    | YDNAC-CLAMP FUEL HOSE (8MM)       | 2     |
| 18  | 78007000270    | PVC-HOSE 5,6X10X270MM             | 1     |
| 19  | 12011016000    | WASHER 6 X 12 X 3                 | 1     |
| 20  | 0026060136     | COLLAR SCREW M6X13 ISA30          | 2     |
| 21  | 0024060273     | COLLAR SCREW M6X27 TX             | 1     |
| 22* | 0017060206     | SCREW F. PLASTIC K60X20AL SW6     | 6     |
| 24  | 0021060003     | WASHER DIN9021-A 6,4              | 2     |
| 25  | 0024060156     | HH COLLAR SCREW M6X15 TX30        | 2     |

144700710

C144710710

\* NEW PART

X ON DEMAND



| POS | PARTNUMBER     | PARTNAME                            | PIECE |
|-----|----------------|-------------------------------------|-------|
| 1   | 4710800700028  | NUMBER PLATE WHITE                  | 1     |
| 2   | 4620802200030  | BRAKE HOSE GUIDE                    | 1     |
| 3   | 4710801000004  | FRONT FENDER ORANGE                 | 1     |
| 4*  | 4710801300004A | REARPART 85 SX ORANGE 14 WITH DECAL | 1     |
| 5   | 0025050166     | HH COLLAR SCREW M5X16 TX30          | 2     |
| 6   | 77308013010    | COLLAR BUSH. F.REAR FENDER 07       | 4     |
| 7   | 0025060206     | HH COLLAR SCREW M6X20 TX30          | 1     |
| 8*  | 0017060405     | SPECIAL SCREW T60 6X40 WS=6         | 1     |
| 9   | 0024060156     | HH COLLAR SCREW M6X15 TX30          | 5     |
| 10  | 0024060106     | HH COLLAR SCREW M6X10 TX30          | 1     |

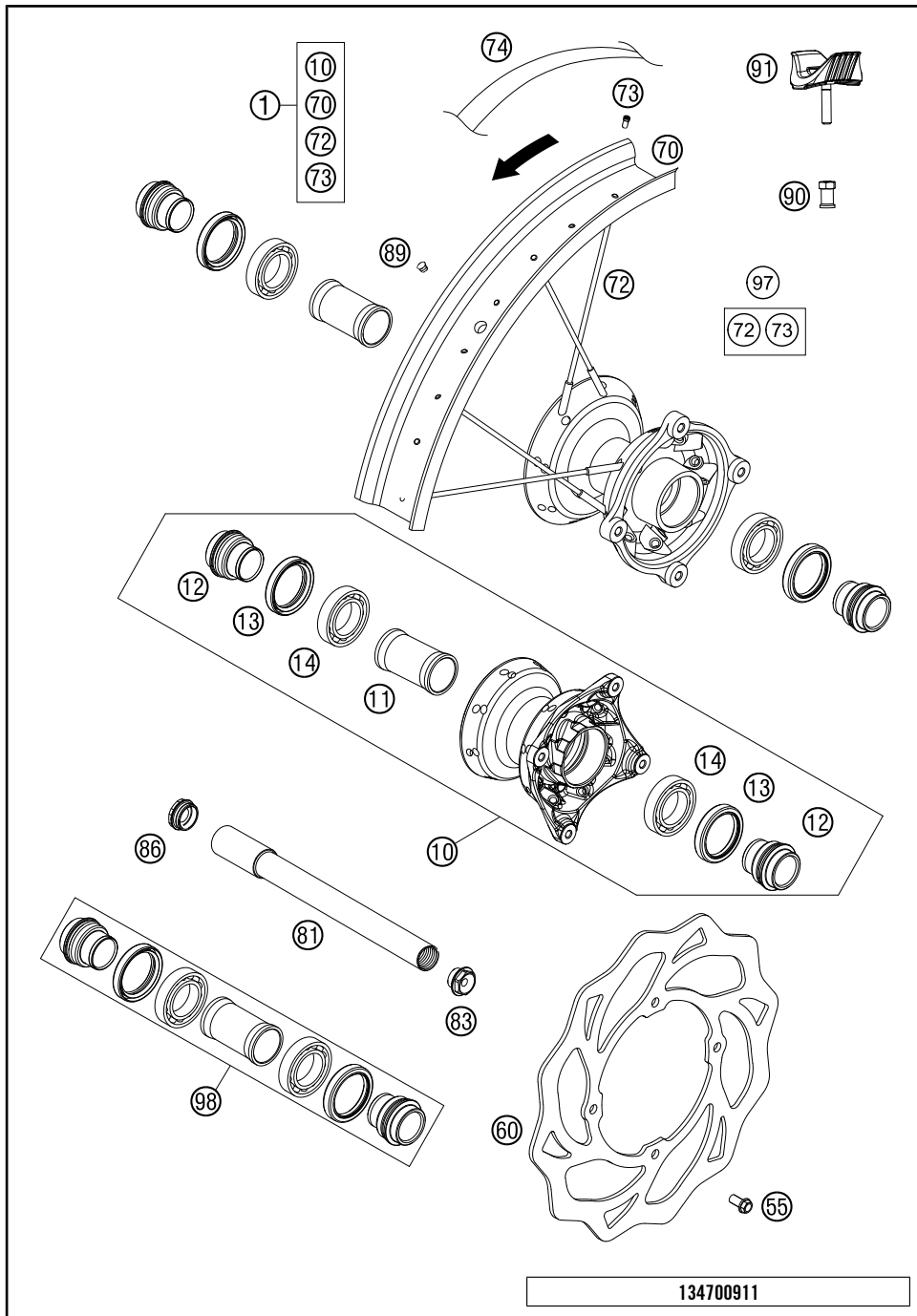
134700810

C144710810

\* NEW PART

X ON DEMAND



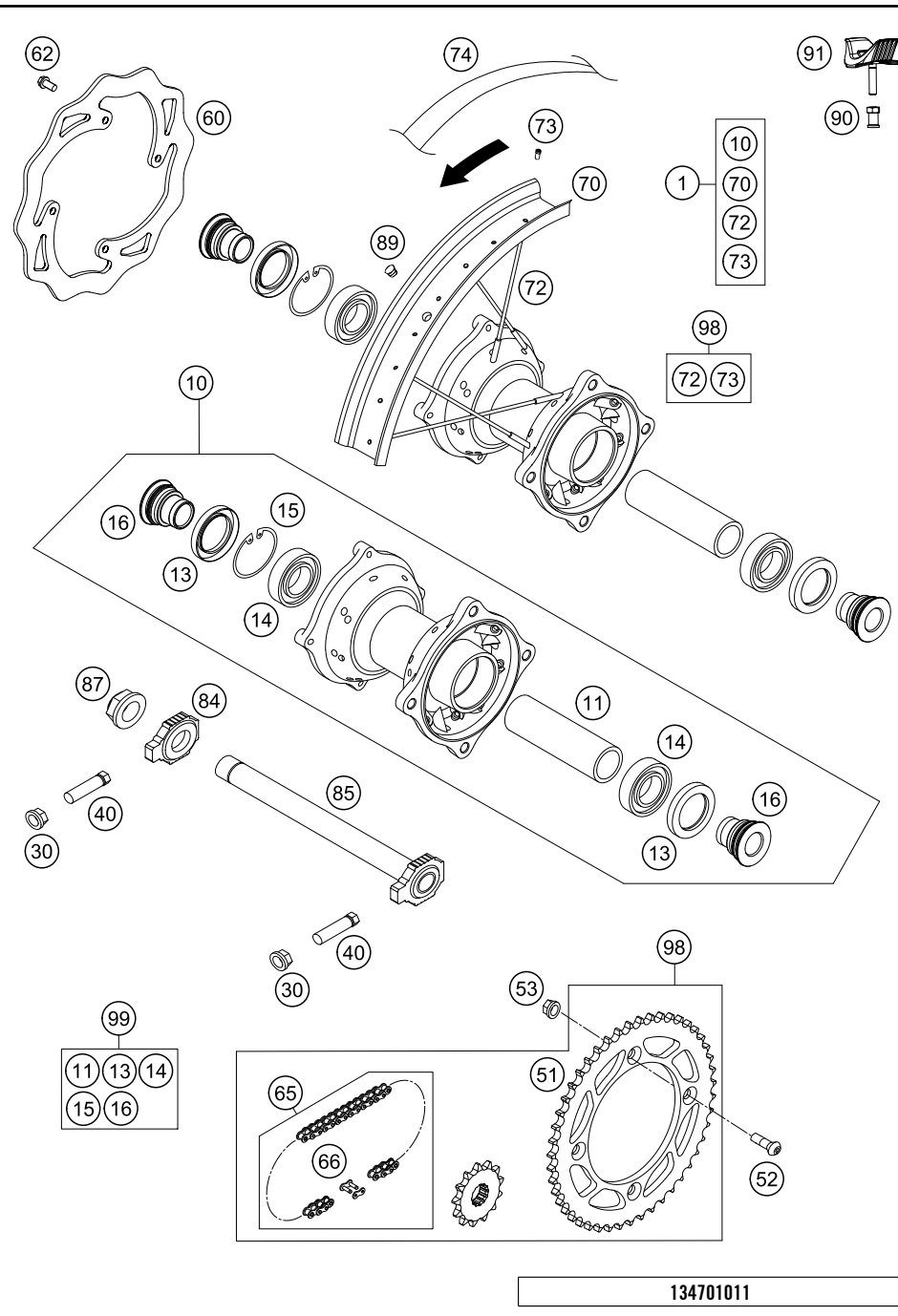


| POS | PARTNUMBER    | PARTNAME                      | PIECE |
|-----|---------------|-------------------------------|-------|
| 1   | 47109001144   | FRONT WHEEL CPL. 19" 2013     | 1     |
| 10  | 70009010044   | FRONT WHEEL HUB CPL. 12       | 1     |
| 11  | 70009011000   | BEAR.SPACER TUBE FRONT D22MM  | 1     |
| 12  | 70009012000   | SPACER BUSHING D=22MM         | 2     |
| 13  | 0760324271    | SHAFT SEAL RING 32X42X7 BSL   | 2     |
| 14  | 0625069050    | BALL BEARING 6905 J1LLUC3     | 2     |
| 55  | 59009062013   | SPECIAL SCREW M6X13 WS=8 10.9 | 4     |
| 60  | 70009060000   | BRAKE DISC FRONT              | 1     |
| 70  | 47109070100   | RIM FRONT AL4 19X1,60-32      | 1     |
| 72  | 4710907120630 | SPOKE M4,5X206-19" BLACK      | 32    |
| 73  | 77109072000   | SPOKE NIPPLE M4,5 AL 11       | 32    |
| 74  | 47009073100   | RIM BAND 85 SX 19" 2003       | 1     |
| 81  | 70009081000   | AXLE FRONT D=22 '12           | 1     |
| 83  | 70009082000   | AXLESCREW M20X1.5; SW17       | 1     |
| 86  | 70009081050   | PLUG BUSHING SW17 '12         | 1     |
| 89  | 55003135000   | PLUG FOR RIM                  | x     |
| 90  | 77110090050   | NUT FOR WHEEL HOLDER          | x     |
| 91  | 78109090000   | RIM LOCK 1,60"                | x     |
| 97  | 00050000967   | SPOKE KIT FRONT "19" 85 SX 13 | x     |
| 98  | 70009015000   | FRONT WHEEL REP. KIT          | x     |

134700911

C144710911

\* NEW PART X ON DEMAND

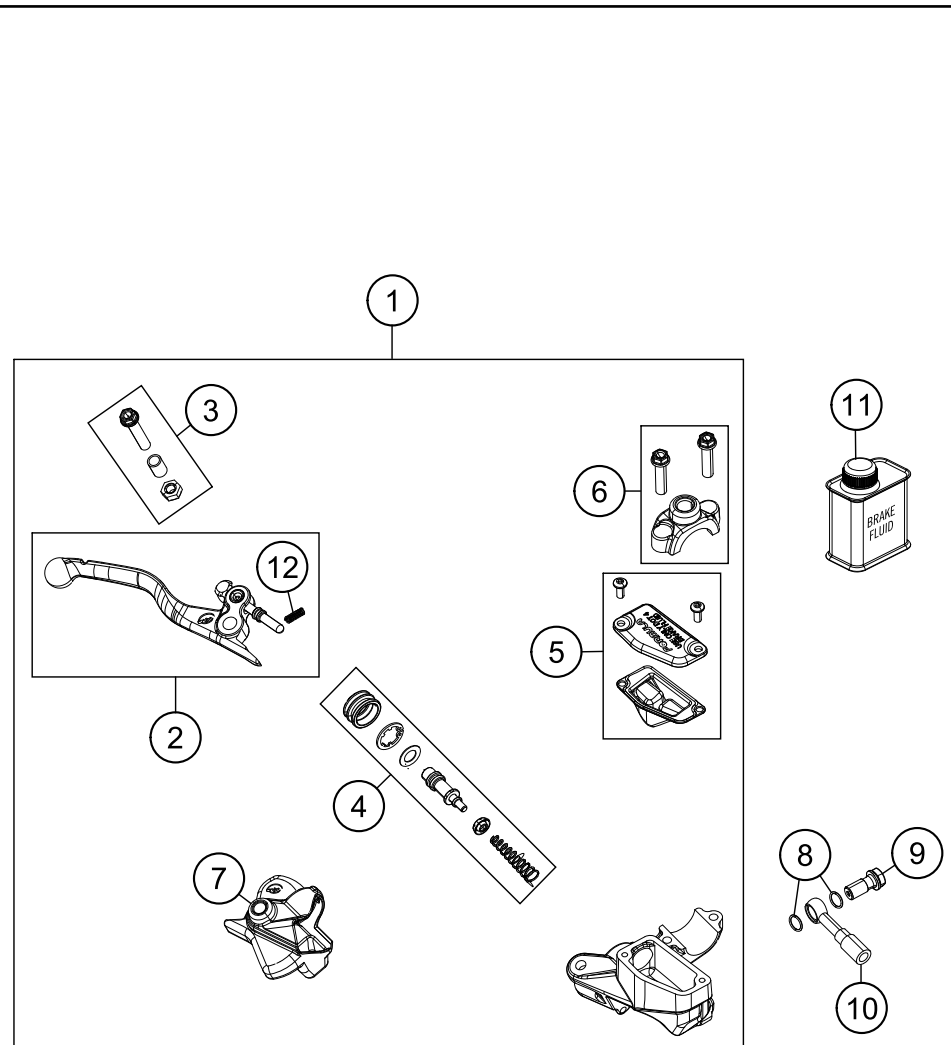


| POS | PARTNUMBER    | PARTNAME                       | PIECE |
|-----|---------------|--------------------------------|-------|
| 1   | 47110001144   | REAR WHEEL CPL. 16" 2013       | 1     |
| 10  | 70010010044   | REAR WHEEL HUB CPL. 12         | 1     |
| 11  | 70010011000   | BEAR.SPACER TUBE '12           | 1     |
| 13  | 0760324771    | SHAFT SEAL RING 32X47X7 BSL    | 2     |
| 14  | 0625060058    | GR.BALL BEAR.6005 DDU2CG23S6NM | 2     |
| 15  | 0472047175    | CIRCLIP DIN0472-47X1,75        | 1     |
| 16  | 78010016000   | BUSHING FOR HUB 08             | 2     |
| 30  | 58414030000   | HH COLLAR NUT M10X1,25 WS=13   | 2     |
| 40  | 50304040100   | SCREW M10X1,25X50 WS=10        | 2     |
| 51  | 47010051044   | REAR SPROCKET 44-T 85 SX 03    | x     |
| 51  | 47010051045   | REAR SPROCKET 45-T 85 SX 03    | x     |
| 51  | 47010051046   | REAR SPROCKET 46-T 85 SX 03    | x     |
| 51  | 47010051047   | REAR SPROCKET 47-T 85 SX 03    | x     |
| 51  | 47010051048   | REAR SPROCKET 48-T 85 SX 03    | x     |
| 51  | 47010051049   | REAR SPROCKET 49-T 85 SX 03    | 1     |
| 51  | 47010051050   | REAR SPROCKET 50-T 85 SX 03    | x     |
| 51  | 47010051051   | REAR SPROCKET 51-T 85 SX 06    | x     |
| 52  | 0019080266S   | COUNTER-SUNK SCREW ISA45 M8X26 | 4     |
| 53  | 54310086200   | SELF LOCKING NUT M8 10.9       | 4     |
| 60  | 47010060500   | REAR BRAKE DISC                | 1     |
| 62  | 59009062016   | SPECIAL SCREW M6X16 WS=8 10.9  | 4     |
| 65  | 47010165124   | CHAIN 124 ROLLS 85 SX          | 1     |
| 66  | 47010166000   | CONNECTING LINK 85 SX          | 1     |
| 70  | 47110070100   | RIM REAR AL4 16X1,85-32        | 1     |
| 72  | 4711007116830 | SPOKE M4,5X168-16" BLACK       | 32    |
| 73  | 77109072000   | SPOKE NIPPLE M4,5 AL 11        | 32    |
| 74  | 47010073200   | RIM BAND 85 SX 16" 2003        | 1     |
| 84  | 50310084000   | CHAIN TENSIONER R/S 2000       | 1     |
| 85  | 47010085044   | AXLE REAR CPL. 85 SX 2003      | 1     |
| 87  | 50310099000   | HEXAGON NUT M20X1,5 '98        | 1     |
| 89  | 55003135000   | PLUG FOR RIM                   | x     |
| 90  | 77110090050   | NUT FOR WHEEL HOLDER           | 1     |
| 91  | 70010090000   | RIM LOCK 1,85"                 | 1     |
| 97  | 00050000968   | SPOKE KIT REAR "16" 85 SX 13   | x     |
| 98  | 00050002003   | DRIVETRAIN KIT 105 SX 14T/49T  | 1     |
| 99  | 70010015000   | REAR WHEEL REP. KIT            | x     |

134701011

C144711011

\* NEW PART X ON DEMAND

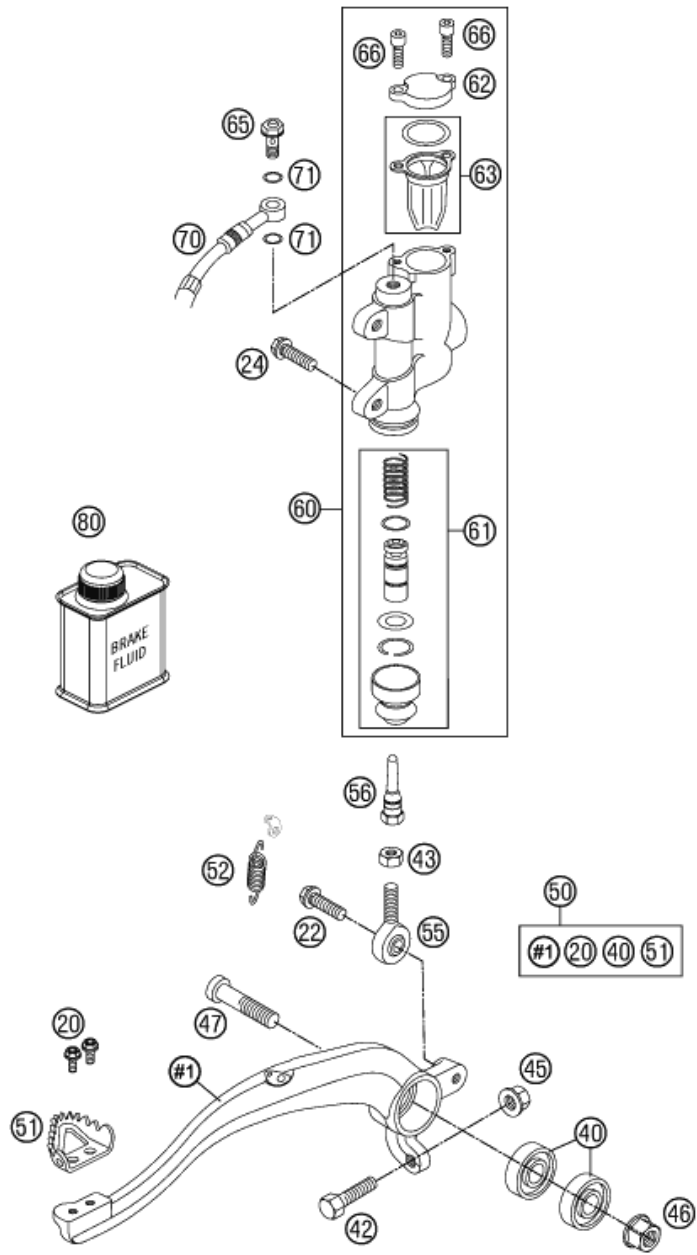


| POS | PARTNUMBER  | PARTNAME                       | PIECE |
|-----|-------------|--------------------------------|-------|
| 1*  | 47113001100 | HAND BRAKE CYLINDER CPL. 10 MM | 1     |
| 2*  | 72013002000 | LEVER CPL.                     | 1     |
| 3   | 70002038000 | LEVER SCREW CPL.               | 1     |
| 4*  | 72002032000 | REP. KIT PISTON 10MM           | 1     |
| 5   | 70013003000 | COVER HAND BRAKE CYLINDER CPL. | 1     |
| 6*  | 72013005000 | CLAMP                          | 1     |
| 7   | 70013004000 | MUDCOVER HANDBRAKE LEVER       | 1     |
| 8   | 0770080019  | O-RING 8,00X1,00 FORMULA       | 2     |
| 9   | 47013025000 | HOLLOW SCREW BRAKE CYLINDER 03 | 1     |
| 10  | 70013010100 | BRAKE HOSE FRONT 1065MM        | 1     |
| 11  | 00062030000 | BRAKE FLUID DOT5.1 0,25L       | 1     |
| 12* | 72002035000 | SPRING FOR CLUTCH LEVER        | 1     |

144711310

C144711310

\* NEW PART X ON DEMAND

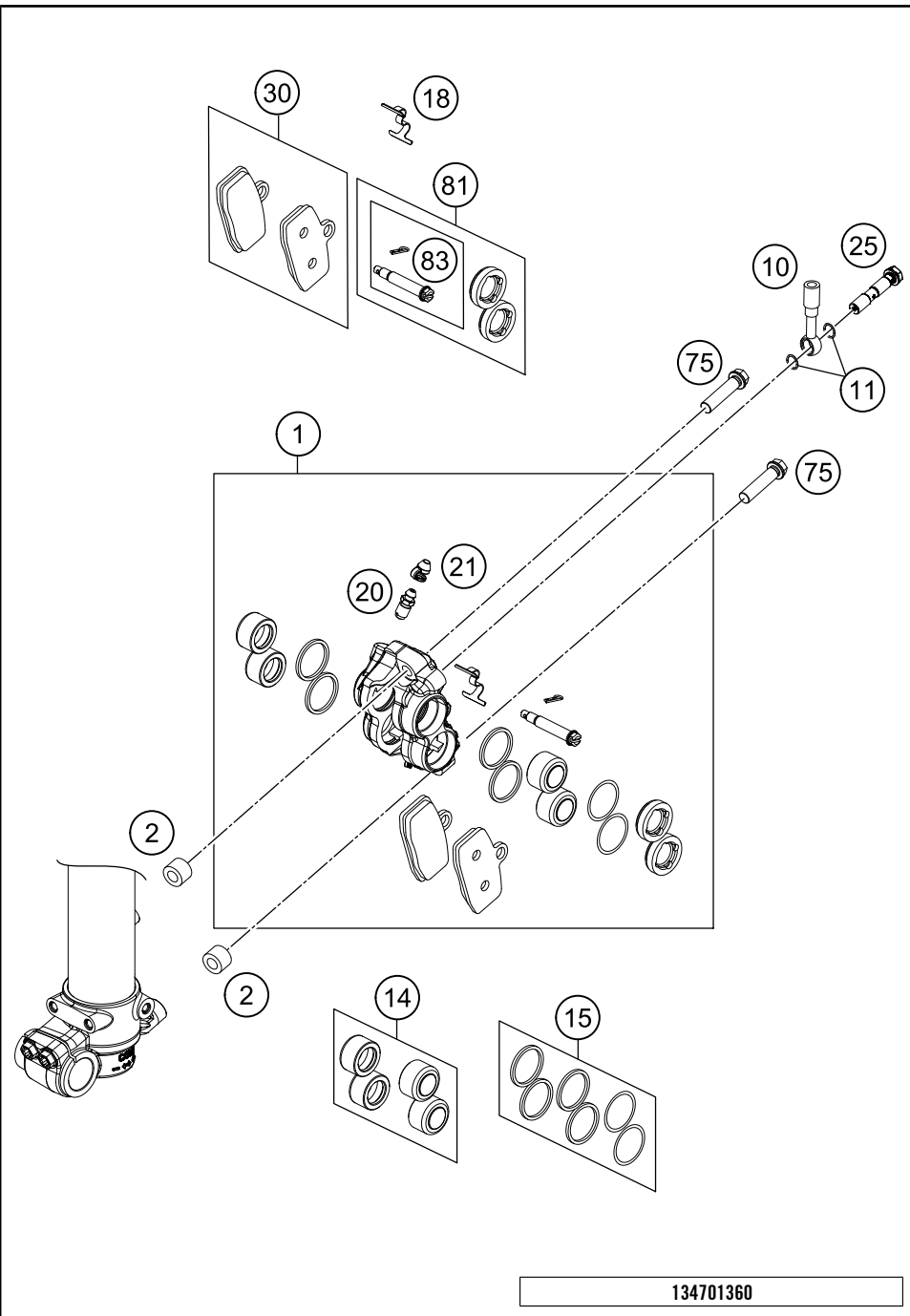


124701330

| POS | PARTNUMBER  | PARTNAME                       | PIECE |
|-----|-------------|--------------------------------|-------|
| 20  | 0025050126  | HH COLLAR SCREW M5X12 TX30     | 2     |
| 22  | 0025060206  | HH COLLAR SCREW M6X20 TX30     | 1     |
| 24  | 0025060126  | HH COLLAR SCREW M6X12 TX30     | 2     |
| 40  | 0625060002  | BALL BEARING SKF 6000-2RS1     | 2     |
| 42  | 59001037000 | SPECIAL SCREW M8X26 WS=10      | 1     |
| 43  | 0934060003  | HEXAGON NUT DIN0934-M 6        | 1     |
| 45  | 46030045000 | COLLAR NUT M8 WS=10            | 1     |
| 46  | 54630044000 | COLLAR NUT M10 WS=13           | 1     |
| 47  | 0032100406S | AH-COLLAR SCREW M10X40 ISA45   | 1     |
| 50  | 47013050044 | FOOT BRAKE LEVER CPL. 85 SX 03 | 1     |
| 51  | 54813051000 | STEP PLATE FOR BRAKE LEVER     | 1     |
| 52  | 54603062000 | % RETURN SPRING FOR BRAKELEVER | 1     |
| 55  | 54813055000 | SWIVEL HEAD KA6 03             | 1     |
| 56  | 47013056100 | PRESSURE ROD 85 SX 06          | 1     |
| 60  | 47013060200 | FOOT BRAKE CYL.R. CPL. D=11 05 | x     |
| 60  | 47013060300 | % FOOTBRAKECYL.R. CPL. D=12 05 | 1     |
| 61  | 47013061000 | REP. SET PISTON REAR D=11 2003 | x     |
| 61  | 47013061100 | REP. SET PISTON REAR D=12 2004 | 1     |
| 62  | 47013062000 | CYLINDER COVER REAR 85 SX 03   | 1     |
| 63  | 47013063000 | GASKET CYLINDER COVER REAR 03  | 1     |
| 65  | 47013025000 | HOLLOW SCREW BRAKE CYLINDER 03 | 1     |
| 66  | 0912040103  | AH.SCREW DIN0912-M 4X10        | 2     |
| 70  | 47013070000 | BRAKE HOSE REAR 85 SX 03       | 1     |
| 71  | 0770080019  | O-RING 8,00X1,00 FORMULA       | 2     |
| 80  | 00062030000 | BRAKE FLUID DOT5.1 0,25L       | 1     |

C124701330

\* NEW PART X ON DEMAND

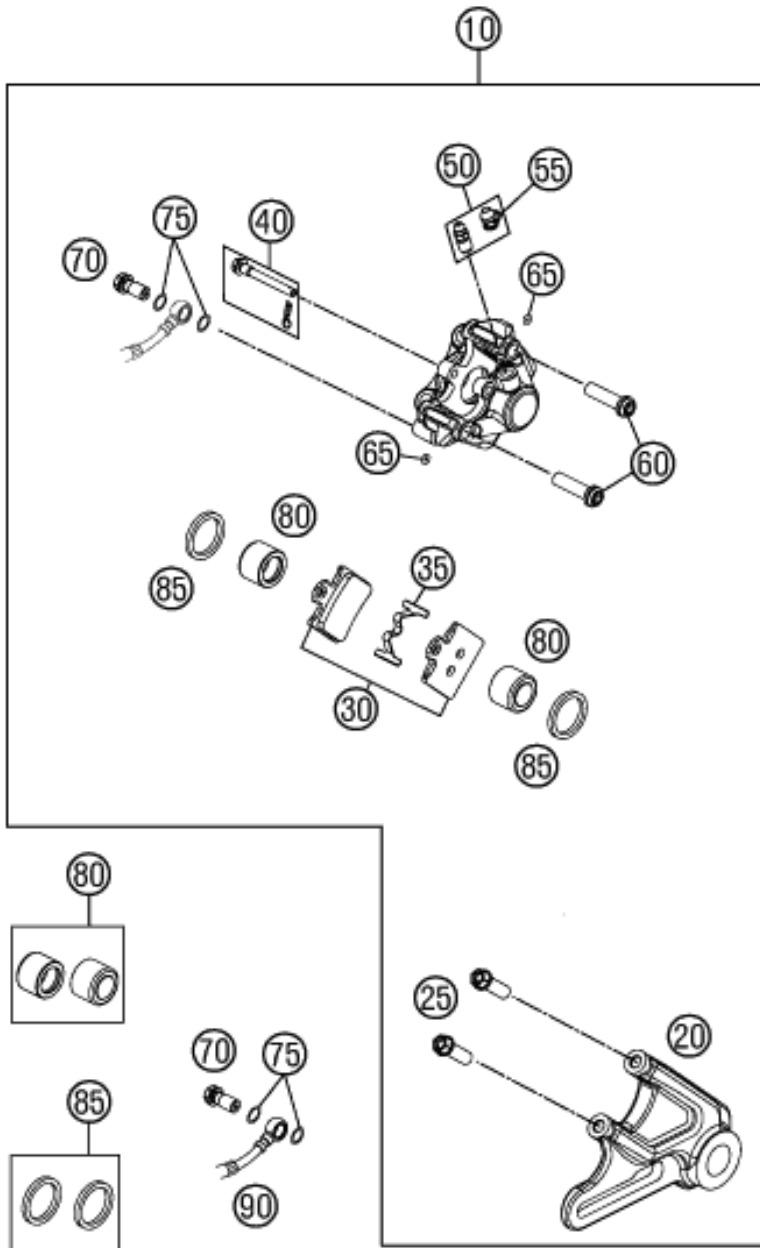


| POS | PARTNUMBER  | PARTNAME                       | PIECE |
|-----|-------------|--------------------------------|-------|
| 1   | 47013015100 | BRAKE CALIPER FRONT            | 1     |
| 2   | 70013098050 | SPACER SLEEVE F. BRAKE FRONT   | 2     |
| 10  | 70013010100 | BRAKE HOSE FRONT 1065MM        | 1     |
| 11  | 0770080019  | O-RING 8,00X1,00 FORMULA       | 2     |
| 14  | 47013019000 | REPAIR KIT BRAKEPISTON         | 1     |
| 15  | 47013022000 | REP. KIT SEALS                 | 1     |
| 18  | 47013018100 | RETAINING SPRING FRONT 85SX    | 1     |
| 20  | 47013020000 | BLEEDER SCREW M6               | 1     |
| 21  | 47013021000 | CAP FOR BLEEDER SCREW          | 1     |
| 25  | 47013025000 | HOLLOW SCREW BRAKE CYLINDER 03 | 1     |
| 30  | 47013030000 | BRAKE PAD SET FRONT 2012       | 1     |
| 75  | 0025080356  | HH COLLAR SCREW M8X35 TX40     | 2     |
| 81  | 47013023000 | PISTONCOVER 85SX 2012          | 1     |
| 83  | 47013030050 | PIN BRAKE PAD CPL. 2012        | 1     |

134701360

C144711360

\* NEW PART X ON DEMAND



| POS | PARTNUMBER  | PARTNAME                       | PIECE |
|-----|-------------|--------------------------------|-------|
| 10  | 47013080300 | BREAK CALIPER REAR CPL. 2011   | 1     |
| 20  | 47013075000 | BRAKE CALIPER SUPPORT CPL.     | 1     |
| 25  | 0025080256  | HH COLLAR SCREW M8X25 TX40     | 2     |
| 30  | 47013090300 | BRAKE PADS REAR 85 SX 2011     | 1     |
| 35  | 47013018000 | RETAINING SPRING 85 SX 2011    | 1     |
| 40  | 47013092000 | SPECIAL SCREW WITH SPLINT PIN  | 1     |
| 50  | 47013085000 | BLEEDER SCREW M8X1             | 1     |
| 55  | 47013021000 | CAP FOR BLEEDER SCREW          | 1     |
| 60  | 47013084000 | SPECIAL SCREW CALIPER M8X30    | 2     |
| 65  | 07700257178 | O-RING 2,57X1,78               | 2     |
| 70  | 47013025000 | HOLLOW SCREW BRAKE CYLINDER 03 | 1     |
| 75  | 0770080019  | O-RING 8,00X1,00 FORMULA       | 2     |
| 80  | 47013083200 | REPAIR KIT BRAKEPISTON 2011    | 1     |
| 85  | 47013081100 | REP. KIT SEAL. RINGS REAR 2011 | 2     |
| 90  | 47013070000 | BRAKE HOSE REAR 85 SX 03       | 1     |

124701390

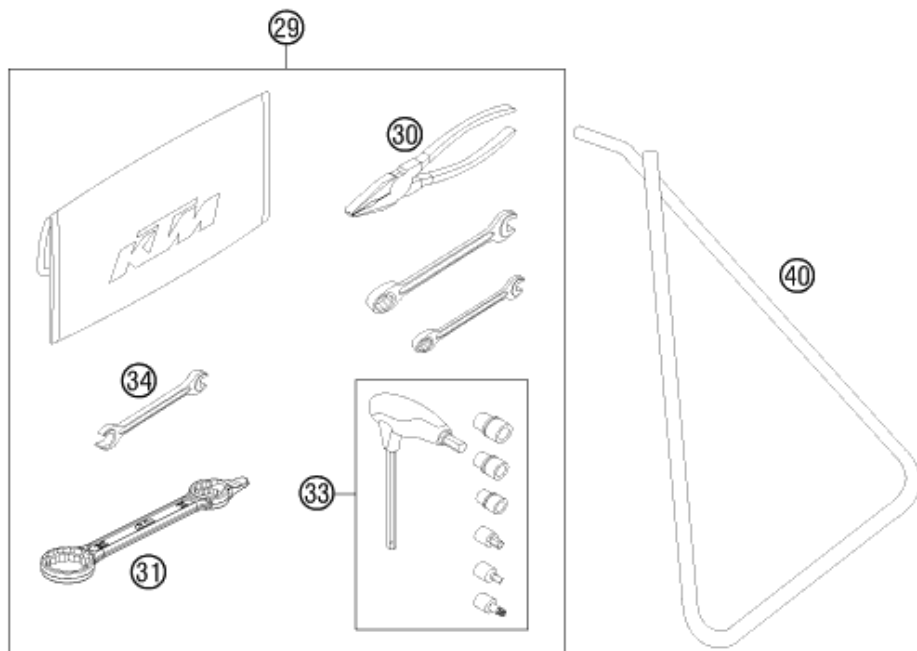
C124701390

\* NEW PART

X ON DEMAND

①  
OHNE ABBILDUNG  
WITHOUT ILLUSTRATION

①  
TECHNISCHE DOKUMENTATION  
TECHNICAL DOCUMENTATION  
DOCUMENTACION TECNICA  
DOCUMENTATION TECHNIQUE  
NOTE TECNICHE



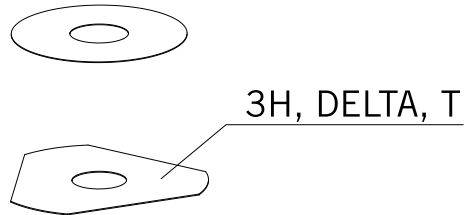
124702000

| POS | PARTNUMBER    | PARTNAME                       | PIECE |
|-----|---------------|--------------------------------|-------|
| 0   | 77202002144   | BAR PAD CPL.                   | 1     |
| 0   | 0024060136    | HH COLLAR SCREW M6X13 TX30     | 4     |
| 0   | 3210039       | * CUSTOMER WELCOME LETTER      | 1     |
| 0   | 4710801000004 | FRONT FENDER ORANGE            | 1     |
| 0   | 00063004202   | PRINT LABEL 60X51 MM           | 1     |
| 0   | 312313        | KTM BALLPOINT PEN ORANGE       | 1     |
| 0   | 00062030019   | AIR FILTER OIL 100ML           | 1     |
| 0   | 3212525DE/GB  | PP OFFROAD FOLDER 2014         | 1     |
| 0   | 3212521GB     | POWER WEAR FOLDER 2014         | 1     |
| 0   | 312305        | DOCUMENTS BAG 2006             | 1     |
| 1   | 3213029EN     | OWN. MAN. 85 SX 14             | 1     |
| 1   | 322000        | SAFETY BROCHURES SPORTMINICYC. | 1     |
| 29  | 54829099100   | TOOL KIT 2012                  | 1     |
| 30  | 53012028200   | GRIP ORANGE B&F                | 1     |
| 31  | 50329080100   | WRENCH SW=17/21/27/32 B&F      | 1     |
| 33  | 60029070300   | T-WRENCH WS=6/8/10/TX45/SK4X1  | 1     |
| 34  | 50329072000   | SPOKE-SPANNER WS 7/10          | 1     |
| 40  | 47003020000   | PLUG IN STAND SX 85 2003       | 1     |

C144712000

\* NEW PART

X ON DEMAND



- ⑤ Ø 5 mm
- ⑥ Ø 6 mm
- ⑧ Ø 8 mm
- ⑩ Ø 10 mm
- ⑫ Ø 12 mm
- ⑭ Ø 14-14,5 mm
- ⑯ Ø 16 mm
- ⑳ Ø 20 mm
- ㉑ Ø 21 mm
- ㉒ Ø 22 mm
- ㉓ Ø 23 mm
- ㉔ Ø 24,5 mm
- ㉘ Ø 28,5 mm
- ㉚ Ø 32 mm
- ㉜ Ø 52 mm

| POS | PARTNUMBER | PARTNAME            | PIECE |
|-----|------------|---------------------|-------|
| 5   | 44906890   | WASHER 5X15X2       | X     |
| 6   | 40540400   | SHIM 6X12X0,1       | X     |
| 6   | 40540401   | SHIM 6X14X0,1       | X     |
| 6   | 40540402   | SHIM 6X16X0,1       | X     |
| 6   | 40540403   | SHIM 6X18X0,1       | X     |
| 6   | 40540404   | SHIM 6X12X0,15      | X     |
| 6   | 40540405   | SHIM 6X14X0,15      | X     |
| 6   | 40540406   | SHIM 6X16X0,15      | X     |
| 6   | 40540407   | SHIM 6X18X0,15      | X     |
| 6   | 40540408   | SHIM 6X12X0,2       | X     |
| 6   | 40540409   | SHIM 6X14X0,2       | X     |
| 6   | 40540410   | SHIM 6X16X0,2       | X     |
| 6   | 40540411   | SHIM 6X18X0,2       | X     |
| 6   | 48600095   | * SHIM 6X20X0,20    | X     |
| 6   | 40540412   | SHIM 6X12X0,25      | X     |
| 6   | 40540413   | SHIM 6X14X0,25      | X     |
| 6   | 40540414   | SHIM 6X16X0,25      | X     |
| 6   | 40540415   | SHIM 6X18X0,25      | X     |
| 6   | 40540417   | SHIM 6X8,5X0,10     | X     |
| 6   | 40540418   | SHIM 6X9X0,10       | X     |
| 6   | 40540419   | SHIM 6X9,5X0,10     | X     |
| 6   | 40540423   | SHIM 6X9,5X0,15     | X     |
| 6   | 40540425   | SHIM 6X8,5X0,20     | X     |
| 6   | 40540426   | SHIM 6X9X0,20       | X     |
| 6   | 40540427   | SHIM 6X9,5X0,20     | X     |
| 6   | 40540447   | SHIM 6X10X0,3       | X     |
| 6   | 40540449   | SHIM 6X9X0,3        | X     |
| 6   | 40540450   | SHIM 6X9,5X0,3      | X     |
| 6   | 40540494   | SHIM 6X18X0,4       | X     |
| 6   | 40540774   | SHIM 6X18X0,1 DELTA | X     |
| 6   | 40541383   | SHIM 6X11X0,1       | X     |
| 6   | 40541391   | SHIM 6X11X0,3       | X     |
| 6   | 40541402   | SHIM 6X11X0,2       | X     |
| 6   | 40541403   | SHIM 6X10X0,20      | X     |
| 6   | 40541404   | SHIM 6X10X0,1       | X     |
| 6   | 40541405   | SHIM 6X10X0,15      | X     |
| 6   | 40541406   | SHIM 6X11X0,15      | X     |
| 6   | 40541408   | SHIM 6X8,0X0,30     | X     |

080000190

C130009090

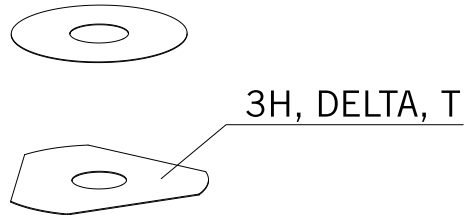
\* NEW PART

X ON DEMAND





- ⑤ Ø 5 mm
- ⑥ Ø 6 mm
- ⑧ Ø 8 mm
- ⑩ Ø 10 mm
- ⑫ Ø 12 mm
- ⑭ Ø 14-14,5 mm
- ⑯ Ø 16 mm
- ⑳ Ø 20 mm
- ㉑ Ø 21 mm
- ㉒ Ø 22 mm
- ㉓ Ø 23 mm
- ㉔ Ø 24,5 mm
- ㉘ Ø 28,5 mm
- ㉚ Ø 32 mm
- ㉜ Ø 52 mm



| POS | PARTNUMBER | PARTNAME             | PIECE |
|-----|------------|----------------------|-------|
| 6   | 40541414   | SHIM 6X8,0X0,10      | X     |
| 6   | 40541416   | SHIM 6X8X0,3         | X     |
| 6   | 40541417   | SHIM 6X11X0,25       | X     |
| 6   | 48600102   | * SHIM 6X24X0,25     | X     |
| 6   | 48600063   | SHIM 6X24X0,1        | X     |
| 6   | 48600064   | SHIM 6X22X0,1        | X     |
| 6   | 48600065   | SHIM 6X20X0,1        | X     |
| 6   | 48600069   | SHIM 6X20X0,15       | X     |
| 6   | 48600100   | SHIM 6X24X0,15       | X     |
| 6   | 48600116   | SHIM 6X24X0,1 DELTA  | X     |
| 6   | 48600139   | SHIM 6X22X0,1 DELTA  | X     |
| 6   | 48600217   | BACKPLATE 6X10X0,25  | X     |
| 6   | 48600325   | SHIM 6X13X0,1        | X     |
| 6   | 48600327   | SHIM 6X15X0,1        | X     |
| 6   | 48600329   | SHIM 6X17X0,1        | X     |
| 6   | 48600331   | SHIM 6X19X0,1        | X     |
| 6   | 48600096   | * SHIM 6X20X0,25     | X     |
| 6   | 48600097   | SHIM 6X22X0,15       | X     |
| 6   | 48600099   | * SHIM 6X22X0,25     | X     |
| 6   | 40540448   | BACKPLATE 6X8,5X0,30 | X     |
| 6   | 48600479   | SHIM 6X20X0,1 T/3H   | X     |
| 6   | 48600332   | SHIM 6X21X0,1        | X     |
| 6   | 48600333   | SHIM 6X23X0,1        | X     |
| 6   | 40541393   | * SHIM 6X12X0,3      | X     |
| 6   | 48600330   | SHIM 6X17X0,15       | X     |
| 6   | 48600988   | SHIM 6X28X0,10       | X     |
| 6   | 48600989   | SHIM 6X26X0,10       | X     |
| 6   | 48601091   | SHIM 6X28X0,15       | X     |
| 6   | 48601093   | SHIM 6X26X0,15       | X     |
| 8   | 40540477   | SHIM 8X18X0,4        | X     |
| 8   | 43570120   | SHIM 8X18X0,10       | X     |
| 8   | 44916098   | WASHER 8,4X16X0,8    | X     |
| 8   | 44916130   | WASHER 8,2X15X1      | X     |
| 8   | 44916180   | WASHER 8,2X11X1      | X     |
| 8   | 48600214   | SHIM 8X16X0,1        | X     |
| 8   | 48600385   | SHIM 8x14x0.25       | X     |
| 8   | 48600346   | SHIM 8X11X0,2        | X     |
| 8   | 48600215   | CHECK VALVE 8X20X0,1 | X     |

080000190

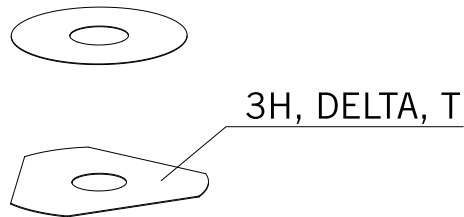
C130009090

\* NEW PART

X ON DEMAND



- ⑤ Ø 5 mm
- ⑥ Ø 6 mm
- ⑧ Ø 8 mm
- ⑩ Ø 10 mm
- ⑫ Ø 12 mm
- ⑭ Ø 14-14,5 mm
- ⑯ Ø 16 mm
- ⑳ Ø 20 mm
- ㉑ Ø 21 mm
- ㉒ Ø 22 mm
- ㉓ Ø 23 mm
- ㉔ Ø 24,5 mm
- ㉘ Ø 28,5 mm
- ㉚ Ø 32 mm
- ㉜ Ø 52 mm



| POS | PARTNUMBER | PARTNAME               | PIECE |
|-----|------------|------------------------|-------|
| 8   | 48600485   | SHIM 8X10X0,10         | X     |
| 8   | 48601402   | SHIM 8X13X0,10         | X     |
| 8   | 48600350   | CHECK VALVE 8X16X0,15  | X     |
| 8   | 48600061   | CHECK VALVE 8X24X0,4   | X     |
| 8   | 48600062   | CHECK VALVE 8X24X0,1   | X     |
| 8   | 48600216   | CHECK VALVE 8X22X0,1   | X     |
| 8   | 48600480   | SHIM 8X10X0,20         | X     |
| 8   | 48600555   | SHIM 8X16X0,20         | X     |
| 8   | 48600213   | SHIM 8X14X0,10         | X     |
| 8   | 48600357   | CHECK VALVE 8X11X0,1   | X     |
| 8   | 48600351   | CHECK VALVE 8X12X0,1   | X     |
| 8   | 48600607   | SHUTTLE VALVE 8X20X0,4 | X     |
| 8   | 48601095   | SHIM 8X17X0,10         | X     |
| 8   | 48600352   | CHECK VALVE 8X11X0,4   | X     |
| 10  | 36120284   | SHIM 10X16X0,10        | X     |
| 10  | 36120298   | SHIM 10X16X0,2         | X     |
| 10  | 36120312   | SHIM 10X16X0,30        | X     |
| 10  | 36120314   | SHIM 10X18X0,30        | X     |
| 10  | 36120325   | SHIM 10X19X0,15        | X     |
| 10  | 36120327   | SHIM 10X23X0,15        | X     |
| 10  | 36120328   | SHIM 10X25X0,15        | X     |
| 10  | 36120329   | SHIM 10X27X0,15        | X     |
| 10  | 36120330   | SHIM 10X29X0,15        | X     |
| 10  | 36120331   | SHIM 10X31X0,15        | X     |
| 10  | 36120332   | SHIM 10X33X0,15        | X     |
| 10  | 36120334   | SHIM 10X21X0,20        | X     |
| 10  | 36120335   | SHIM 10X23X0,20        | X     |
| 10  | 36120336   | SHIM 10X25X0,20        | X     |
| 10  | 36120337   | SHIM 10X27X0,20        | X     |
| 10  | 36120338   | SHIM 10X29X0,20        | X     |
| 10  | 36120339   | SHIM 10X31X0,20        | X     |
| 10  | 36120340   | SHIM 10X33X0,20        | X     |
| 10  | 36120342   | SHIM 10X21X0,25        | X     |
| 10  | 36120343   | SHIM 10X23X0,25        | X     |
| 10  | 36120344   | SHIM 10X25X0,25        | X     |
| 10  | 36120345   | SHIM 10X27X0,25        | X     |
| 10  | 36120349   | SHIM 10X19X0,30        | X     |
| 10  | 36120350   | SHIM 10X21X0,30        | X     |

080000190

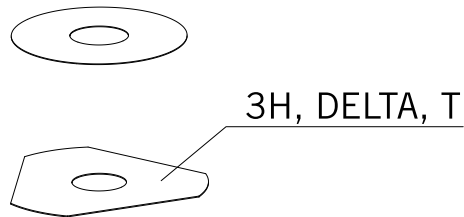
C130009090

\* NEW PART

X ON DEMAND



- ⑤ Ø 5 mm
- ⑥ Ø 6 mm
- ⑧ Ø 8 mm
- ⑩ Ø 10 mm
- ⑫ Ø 12 mm
- ⑭ Ø 14-14,5 mm
- ⑯ Ø 16 mm
- ⑳ Ø 20 mm
- ㉑ Ø 21 mm
- ㉒ Ø 22 mm
- ㉓ Ø 23 mm
- ㉔ Ø 24,5 mm
- ㉘ Ø 28,5 mm
- ㉚ Ø 32 mm
- ㉜ Ø 52 mm



| POS | PARTNUMBER | PARTNAME          | PIECE |
|-----|------------|-------------------|-------|
| 10  | 40140275   | WASHER 10X35X0,15 | X     |
| 10  | 36120346   | * SHIM 10X29X0,25 | X     |
| 10  | 50180010   | * SHIM 16X24X0,10 | X     |
| 10  | 36120604   | SHIM D10XD22X2,5  | X     |
| 12  | 46810490   | SHIM 12X24X0,20   | X     |
| 12  | 46810491   | SHIM 12X26X0,20   | X     |
| 12  | 46810492   | SHIM 12X28X0,20   | X     |
| 12  | 46810493   | SHIM 12X30X0,20   | X     |
| 12  | 46810494   | SHIM 12X32X0,20   | X     |
| 12  | 46810495   | SHIM 12X34X0,20   | X     |
| 12  | 46810496   | SHIM 12X36X0,20   | X     |
| 12  | 46810497   | SHIM 12X38X0,20   | X     |
| 12  | 46810498   | SHIM 12X40X0,20   | X     |
| 12  | 46810499   | SHIM 12X24X0,25   | X     |
| 12  | 46810500   | SHIM 12X26X0,25   | X     |
| 12  | 46810501   | SHIM 12X28X0,25   | X     |
| 12  | 46810502   | SHIM 12X30X0,25   | X     |
| 12  | 46810504   | SHIM 12X34X0,25   | X     |
| 12  | 46810505   | SHIM 12X36X0,25   | X     |
| 12  | 46810507   | SHIM 12X40X0,25   | X     |
| 12  | 46810508   | SHIM 12X24X0,30   | X     |
| 12  | 46810509   | SHIM 12X26X0,30   | X     |
| 12  | 46810510   | SHIM 12X28X0,30   | X     |
| 12  | 46810512   | SHIM 12X32X0,30   | X     |
| 12  | 46810513   | SHIM 12X34X0,30   | X     |
| 12  | 46810518   | SHIM 12X26X0,15   | X     |
| 12  | 46810519   | SHIM 12X28X0,15   | X     |
| 12  | 46810520   | SHIM 12X30X0,15   | X     |
| 12  | 46810521   | SHIM 12X32X0,15   | X     |
| 12  | 46810522   | SHIM 12X34X0,15   | X     |
| 12  | 46810523   | SHIM 12X36X0,15   | X     |
| 12  | 46810524   | SHIM 12X38X0,15   | X     |
| 12  | 46810525   | SHIM 12X40X0,15   | X     |
| 12  | 46810604   | SHIM 12X20X0,10   | X     |
| 12  | 46810606   | SHIM 12X22X0,10   | X     |
| 12  | 46810607   | SHIM 12X23X0,10   | X     |
| 12  | 46810608   | SHIM 12X24X0,10   | X     |
| 12  | 46810610   | SHIM 12X27X0,15   | X     |

080000190

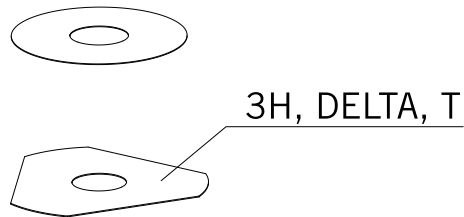
C130009090

\* NEW PART

X ON DEMAND



- ⑤ Ø 5 mm
- ⑥ Ø 6 mm
- ⑧ Ø 8 mm
- ⑩ Ø 10 mm
- ⑫ Ø 12 mm
- ⑭ Ø 14-14,5 mm
- ⑯ Ø 16 mm
- ⑳ Ø 20 mm
- ㉑ Ø 21 mm
- ㉒ Ø 22 mm
- ㉓ Ø 23 mm
- ㉔ Ø 24,5 mm
- ㉘ Ø 28,5 mm
- ㉚ Ø 32 mm
- ㉜ Ø 52 mm



| POS | PARTNUMBER | PARTNAME             | PIECE |
|-----|------------|----------------------|-------|
| 12  | 46810611   | SHIM 12X18X0,15      | X     |
| 12  | 46810612   | SHIM 12X19X0,15      | X     |
| 12  | 46810615   | SHIM 12X22X0,15      | X     |
| 12  | 46810636   | BACKPLATE 12X16X0,30 | X     |
| 12  | 46810637   | BACKPLATE 12X17X0,30 | X     |
| 12  | 46810638   | BACKPLATE 12X18X0,30 | X     |
| 12  | 46810639   | SHIM 12X19X0,30      | X     |
| 12  | 46810641   | BACKPLATE 12X21X0,30 | X     |
| 12  | 46811582   | BACKPLATE 12X30X0,10 | X     |
| 12  | 46810631   | SHIM 12X20X0,25      | X     |
| 12  | 46810633   | SHIM 12X22X0,25      | X     |
| 12  | 46811580   | SHIM 12X32X0,10      | X     |
| 12  | 46810503   | SHIM 12X32X0,25      | X     |
| 12  | 46810517   | * SHIM 12X24X0,15    | X     |
| 12  | 46810640   | SHIM 12X20X0,30      | X     |
| 12  | 46811258   | RING 12X24X2,5       | X     |
| 12  | 46812018   | SHIM 12X42X0,25      | X     |
| 12  | 46812015   | SHIM 12X44X0,20      | X     |
| 14  | 46811046   | SHIM 14,5X35,4X1,25  | X     |
| 16  | 50180023   | * SHIM 16X23X0,20    | X     |
| 16  | 50180030   | SHIM                 | X     |
| 16  | 50180006   | BACKPLATE 16X20X0,10 | X     |
| 16  | 50180007   | SHIM 16X21X0,10      | X     |
| 16  | 50180028   | SHIM 16X21X0,25      | X     |
| 16  | 50180210   | WASHER 16X21X1       | X     |
| 16  | 50180008   | SHIM 16X22X0,10      | X     |
| 16  | 50180022   | SHIM 16X22X0,20      | X     |
| 16  | 50180037   | SHIM 16X23X0,30      | X     |
| 16  | 50180038   | SHIM 16X24X0,30      | X     |
| 16  | 50180032   | SHIM 15X25X0,25      | X     |
| 16  | 50180039   | SHIM 16X25X0,30      | X     |
| 16  | 50180012   | SHIM 16X26X0,10      | X     |
| 16  | 50180019   | SHIM 16X26X0,15      | X     |
| 16  | 50180026   | SHIM 16X26X0,20      | X     |
| 16  | 50180040   | SHIM 16X26X0,30      | X     |
| 16  | 50180041   | SHIM 16X28X0,10      | X     |
| 16  | 50180045   | SHIM 16X28X0,15      | X     |
| 16  | 50180054   | SHIM 16X28X0,20      | X     |

080000190

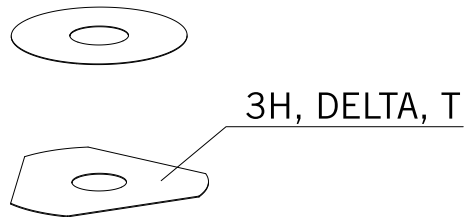
C130009090

\* NEW PART

X ON DEMAND



- ⑤ Ø 5 mm
- ⑥ Ø 6 mm
- ⑧ Ø 8 mm
- ⑩ Ø 10 mm
- ⑫ Ø 12 mm
- ⑭ Ø 14-14,5 mm
- ⑯ Ø 16 mm
- ⑳ Ø 20 mm
- ㉑ Ø 21 mm
- ㉒ Ø 22 mm
- ㉓ Ø 23 mm
- ㉔ Ø 24,5 mm
- ㉘ Ø 28,5 mm
- ㉚ Ø 32 mm
- ㉜ Ø 52 mm



| POS | PARTNUMBER | PARTNAME             | PIECE |
|-----|------------|----------------------|-------|
| 16  | 50180063   | SHIM 16X28X0,25      | X     |
| 16  | 50180072   | SHIM 16X28X0,30      | X     |
| 16  | 50180046   | SHIM 16X30X0,15      | X     |
| 16  | 50180055   | SHIM 16X30X0,20      | X     |
| 16  | 50180064   | SHIM 16X30X0,25      | X     |
| 16  | 50180073   | SHIM 16X30X0,30      | X     |
| 16  | 50180047   | SHIM 16X32X0,15      | X     |
| 16  | 50180056   | SHIM 16X32X0,20      | X     |
| 16  | 50180065   | SHIM 16X32X0,25      | X     |
| 16  | 50180074   | SHIM 16X32X0,30      | X     |
| 16  | 50180044   | SHIM 16X34X0,10      | X     |
| 16  | 50180048   | SHIM 16X34X0,15      | X     |
| 16  | 50180057   | SHIM 16X34X0,20      | X     |
| 16  | 50180066   | SHIM 16X34X0,25      | X     |
| 16  | 50180075   | SHIM 16X34X0,30      | X     |
| 16  | 50180049   | SHIM 16X36X0,15      | X     |
| 16  | 50180058   | SHIM 16X36X0,20      | X     |
| 16  | 50180067   | SHIM 16X36X0,25      | X     |
| 16  | 50180076   | SHIM 16X36X0,30      | X     |
| 16  | 50180050   | SHIM 16X38X0,15      | X     |
| 16  | 50180059   | SHIM 16X38X0,20      | X     |
| 16  | 50180068   | SHIM 16X38X0,25      | X     |
| 16  | 50180077   | SHIM 16X38X0,30      | X     |
| 16  | 50180051   | SHIM 16X40X0,15      | X     |
| 16  | 50180060   | SHIM 16X40X0,20      | X     |
| 16  | 50180069   | SHIM 16X40X0,25      | X     |
| 16  | 50180078   | SHIM 16X40X0,30      | X     |
| 16  | 50180052   | SHIM 16X42X0,15      | X     |
| 16  | 50180061   | SHIM 16X42X0,20      | X     |
| 16  | 50180070   | SHIM 16X42X0,25      | X     |
| 16  | 50180079   | SHIM 16X42X0,30      | X     |
| 16  | 50180053   | SHIM 16X44X0,15      | X     |
| 16  | 50180062   | SHIM 16X44X0,20      | X     |
| 16  | 50180071   | SHIM 16X44X0,25      | X     |
| 16  | 50180080   | SHIM 16X44X0,30      | X     |
| 16  | 50180177   | WASHER 16X8,2X0,6    | X     |
| 16  | 50180033   | SHIM 16X26X0,25      | X     |
| 16  | 50180034   | BACKPLATE 16X20X0,30 | X     |

080000190

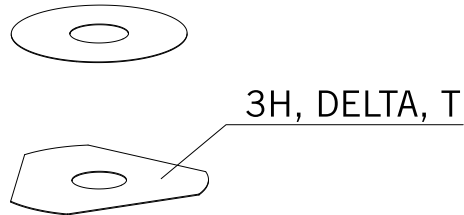
C130009090

\* NEW PART

X ON DEMAND



- ⑤ Ø 5 mm
- ⑥ Ø 6 mm
- ⑧ Ø 8 mm
- ⑩ Ø 10 mm
- ⑫ Ø 12 mm
- ⑭ Ø 14-14,5 mm
- ⑯ Ø 16 mm
- ⑳ Ø 20 mm
- ㉑ Ø 21 mm
- ㉒ Ø 22 mm
- ㉓ Ø 23 mm
- ㉔ Ø 24,5 mm
- ㉘ Ø 28,5 mm
- ㉚ Ø 32 mm
- ㉜ Ø 52 mm



| POS | PARTNUMBER | PARTNAME                    | PIECE |
|-----|------------|-----------------------------|-------|
| 16  | 50180035   | BACKPLATE 16X21X0,30        | X     |
| 16  | 50180036   | BACKPLATE 16X22X0,30        | X     |
| 16  | 50180043   | SHIM                        | X     |
| 16  | 50180024   | * SHIM 16X24X0,20           | X     |
| 16  | 50180027   | * SHIM 16X20X0,25           | X     |
| 16  | 50180031   | SHIM                        | X     |
| 16  | 50180029   | SHIM                        | X     |
| 20  | 48600212   | PRESSURE-RING 20X16,25X0,20 | X     |
| 20  | 50180666   | SHIM 20X24X0,30             | X     |
| 20  | 50180654   | SHIM 20X36X0,20             | X     |
| 20  | 50180655   | SHIM 20X38X0,20             | X     |
| 20  | 50180656   | SHIM 20X40X0,20             | X     |
| 20  | 50180665   | SHIM 20X40X0,25             | X     |
| 20  | 50180662   | SHIM 20X34X0,25             | X     |
| 20  | 50180657   | SHIM 20X24X0,25             | X     |
| 20  | 50180653   | SHIM 20X34X0,20             | X     |
| 20  | 50180634   | RING 20X22,9X1              | X     |
| 20  | 50180650   | SHIM 20,2X28X0,20           | X     |
| 20  | 50180663   | SHIM 20X36X0,25             | X     |
| 20  | 50180664   | SHIM 20X38X0,25             | X     |
| 20  | 50180659   | SHIM 20,2X28X0,25           | X     |
| 21  | 50180209   | WASHER 21X36X0,25           | X     |
| 22  | 50180330   | * PRESS. RING 22X18X0,30    | X     |
| 23  | 50180635   | SHUTTLE VALVE 23X38X0,25    | X     |
| 23  | 50180578   | SHIM D23XD16X2              | X     |
| 24  | 40541061   | WASHER 24,5X34X2            | X     |
| 28  | 36120469   | SHIM 28,5X14X2              | X     |
| 28  | 36120471   | SHIM 28,5X14X5              | X     |
| 32  | 48600460   | WASHER 32X42X2,5            | X     |
| 32  | 50600065   | SHIM 32X45X2                | X     |
| 32  | 46811637   | PRESSURE RING 36X32,25      | X     |
| 52  | 50600002   | SHIM 52X59X2,2              | X     |

080000190

C130009090

\* NEW PART

X ON DEMAND



WWW.KTM.COM



KTM Sportmotorcycle GmbH  
5230 Mattighofen, Austria  
[www.ktm.com](http://www.ktm.com)



**KTM**\_POWERPARTS

**KTM**\_POWERWEAR

**KTM**\_ORIGINAL SPARE PARTS



3CFF6001N9EN

Art. Nr.: 3CFF6001N9EN 11. Mai 2015