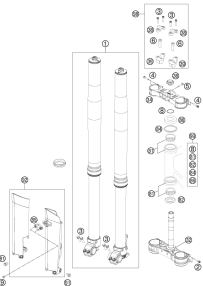
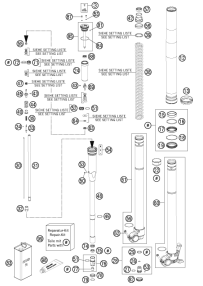
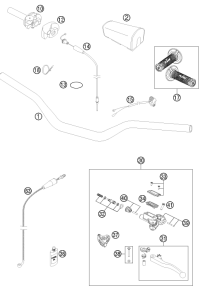
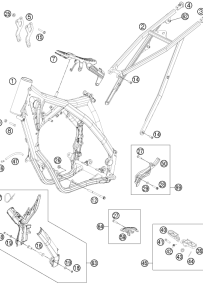
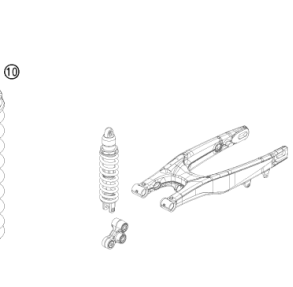
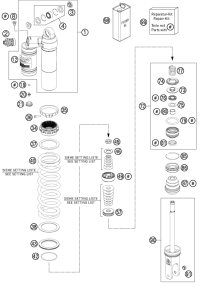
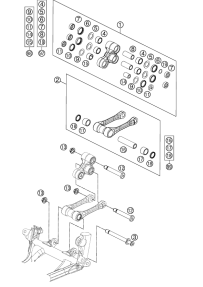
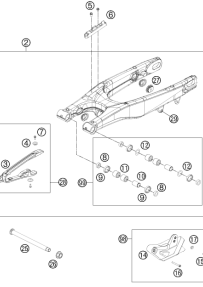
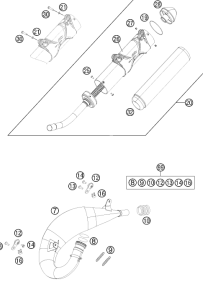
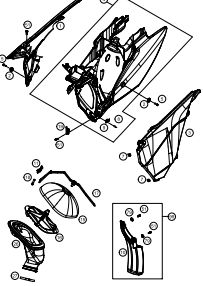
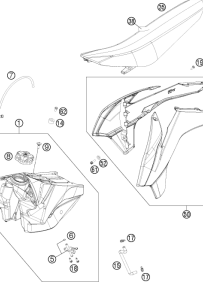
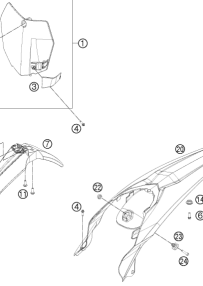
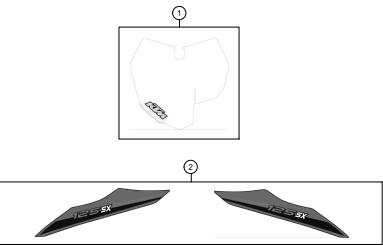
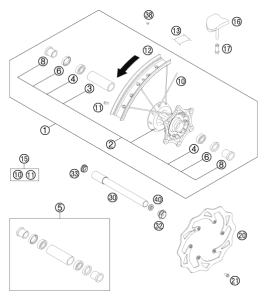
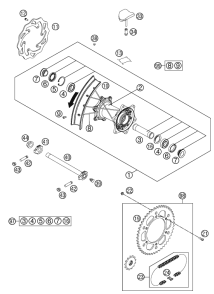
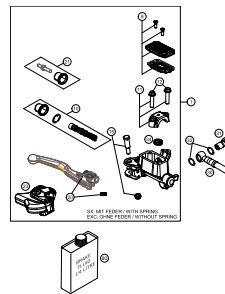
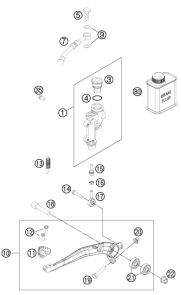
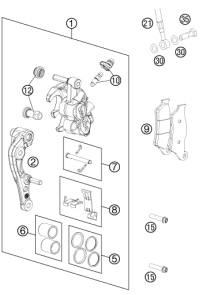
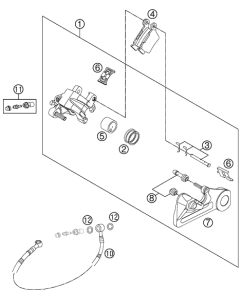
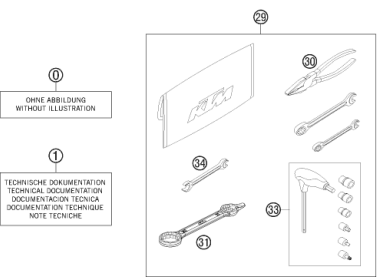
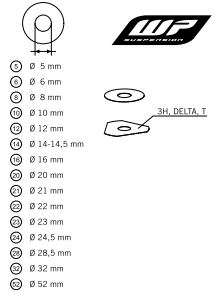



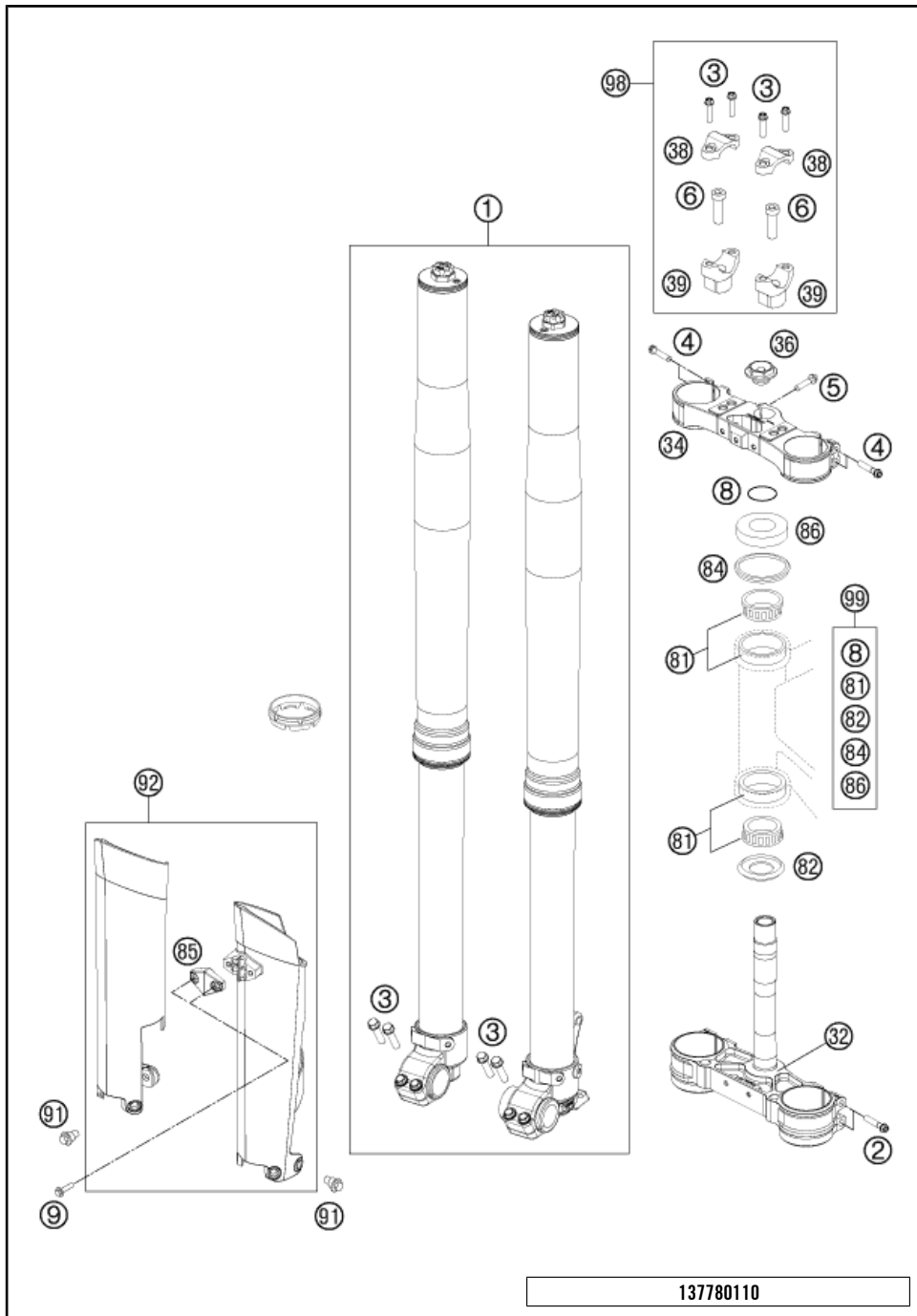
125 SX EU 2014

ART.-NR.: 3CFF6101N0EN



| | | | |
|--|---|--|--|
| <p>FRONT FORK, TRIPLE CLAMP</p>  <p>3</p> | <p>FRONT FORK DISASSEMBLED</p>  <p>4</p> | <p>HANDLEBAR, CONTROLS</p>  <p>6</p> | <p>FRAME</p>  <p>7</p> |
| <p>SHOCK ABSORBER</p>  <p>8</p> | <p>SHOCK ABSORBER DISASSEMBLED</p>  <p>9</p> | <p>PRO LEVER LINKING</p>  <p>11</p> | <p>SWING ARM</p>  <p>12</p> |
| <p>EXHAUST SYSTEM</p>  <p>13</p> | <p>AIR FILTER</p>  <p>14</p> | <p>TANK, SEAT, COVER</p>  <p>15</p> | <p>MASK, FENDERS</p>  <p>16</p> |

| | | | |
|--|--|--|---|
| <p>DECAL</p>  <p style="text-align: right;">17</p> | <p>FRONT WHEEL</p>  <p style="text-align: right;">18</p> | <p>REAR WHEEL</p>  <p style="text-align: right;">19</p> | <p>HAND BRAKE CYLINDER</p>  <p style="text-align: right;">21</p> |
| <p>REAR BRAKE CONTROL</p>  <p style="text-align: right;">22</p> | <p>BRAKE CALIPER FRONT</p>  <p style="text-align: right;">23</p> | <p>BRAKE CALIPER REAR</p>  <p style="text-align: right;">24</p> | <p>ACCESSORIES KIT</p>  <p style="text-align: right;">25</p> |
| <p>WP SHIMS FOR SETTING</p>  <p style="text-align: right;">26</p> | <div style="display: flex; align-items: center;">  <div> <p>All information contained is without obligation. KTM-Sportmotorcycle AG particularly reserves the right to modify any equipment, technical specifications, prices, colors, shapes, materials, services, service work, constructions, equipment and the like so as to adapt them to local conditions or to cancel any of the above items, all without previous announcement and without giving reasons. KTM may stop manufacturing certain models without previous notice. KTM shall not be held liable for any deviations of availability and/or ability to deliver, illustrations, descriptions, printing and/or other errors. The illustrated models partly contain extra equipment, which is not applied to standard models.</p> <p>© by KTM-SPORTMOTORCYCLE AG, Mattighofen AUSTRIA; All rights reserved; Reprint, also in extracts, with written allowance of KTMSPORTMOTORCYCLE AG, Mattighofen only.</p> </div> </div> | | |



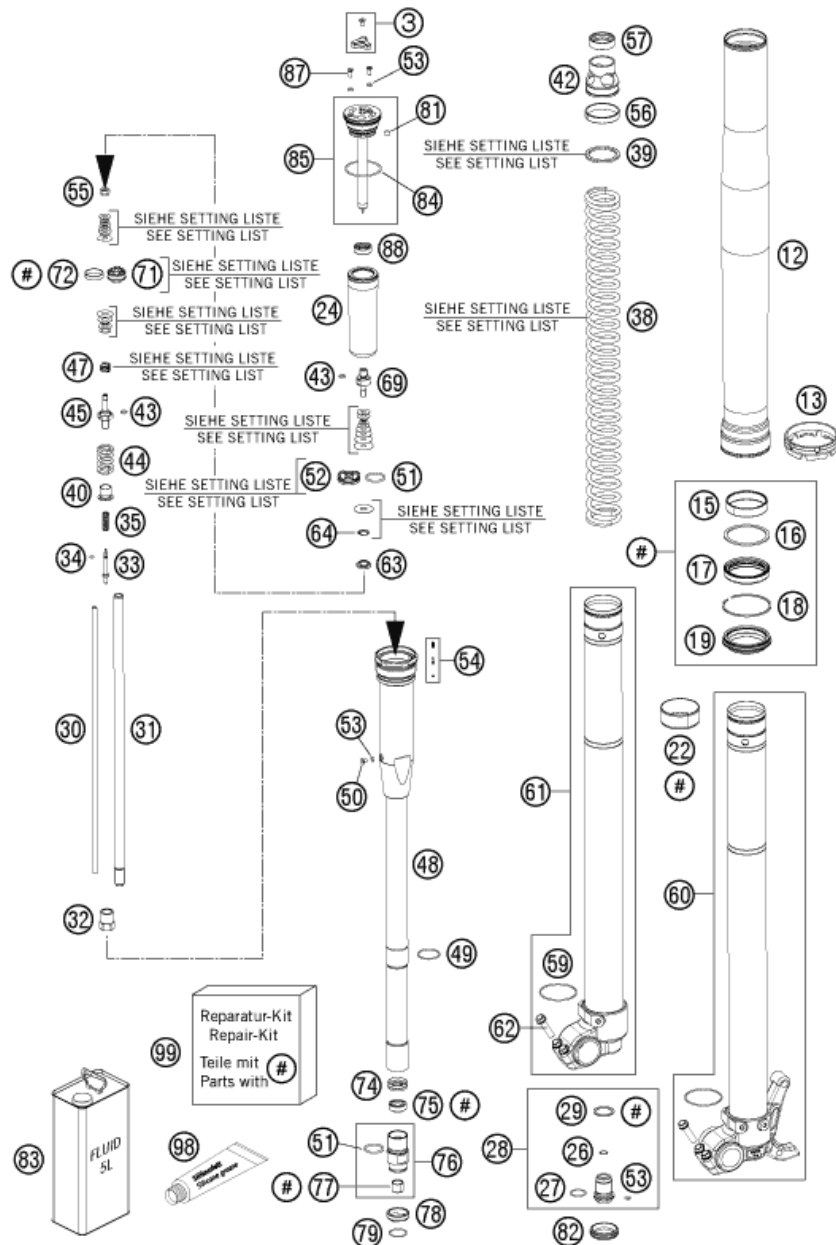
137780110

| POS | PARTNUMBER | PARTNAME | PIECE |
|-----|---------------|--------------------------------|-------|
| 1* | 14187N0101 | FORK WP 125/150 SX 14 | 1 |
| 2 | 0025080506 | HH COLLAR SCREW M8X50 TX40 | 4 |
| 3 | 0025080256 | HH COLLAR SCREW M8X25 TX40 | 8 |
| 4 | 0025080406 | HH COLLAR SCREW M8X40 TX40 | 4 |
| 5 | 0025080256S | HH COLLAR SCREW M8X25 TX40 | 1 |
| 6 | 0032100356S | AH-COLLAR SCREW M10X35 ISA45 | 2 |
| 8 | 0770025035 | O-RING 25X3,55 NBR70 05 | 1 |
| 9* | 0017060206 | SCREW F. PLASTIC K60X20AL SW6 | 2 |
| 32 | 7770103202230 | TRIPLE CL. BOTT. CPL. X=22 BL. | 1 |
| 34 | 7770103402230 | TRIPLE CLAMP TOP X=22 BLACK | 1 |
| 36 | 54801036000 | STEER.HEAD SCREW M20X1,5 WS=27 | 1 |
| 38 | 77201038000 | HANDLEBAR CLAMP 28MM | 2 |
| 39 | 59401039032 | HANDLEB.SUPP. D=28MM H=32MM 05 | x |
| 39 | 59401039037 | HANDLEB.SUPP. D=28MM H=37MM 05 | 2 |
| 39 | 59401039042 | HANDLEB.SUPP. D=28MM H=42MM 05 | x |
| 81 | 54201081100 | TAPERED ROLLER BEARING CPL. 06 | 2 |
| 82 | 54601084100 | O-RING SUPPORT W. SEALING LIP | 1 |
| 84 | 54601184000 | STEERING HEAD GASKET TOP | 1 |
| 85 | 7800108500028 | CLAMP F. SPEED. CABLE D=6MM 08 | 1 |
| 86 | 78101086000 | STEERING HEAD COVER | 1 |
| 91 | 59001092050 | SPECIAL SCREW M6X12,5 WS=8 | 6 |
| 92* | 7800109420028 | FORK PROTECT. L/S+R/S WHITE | 1 |
| 98 | 00050000921 | HANDLEBAR SUPPORT KIT D28/H37 | x |
| 99 | 00050000930 | STEERING HEAD REP. KIT 06-13 | x |

C145030110

* NEW PART

X ON DEMAND



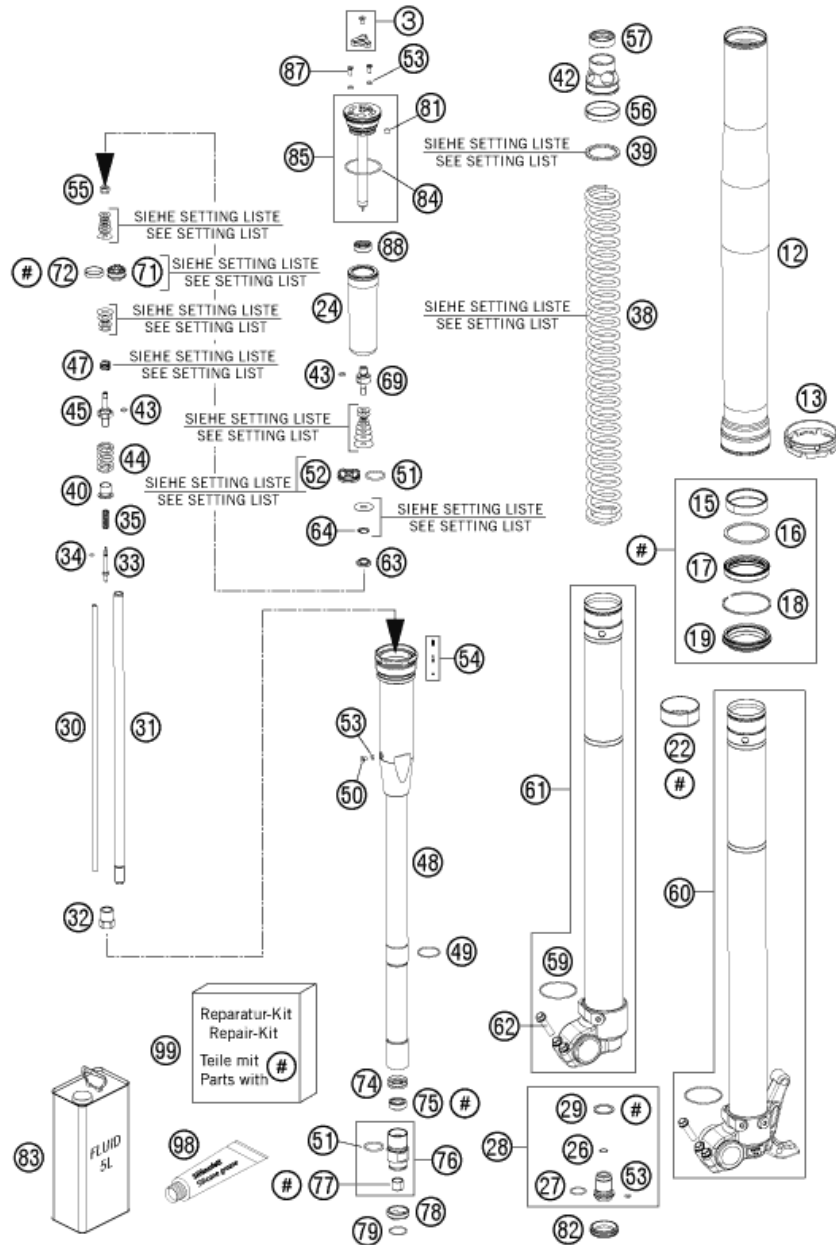
125030130

| POS | PARTNUMBER | PARTNAME | PIECE |
|-----|------------|-------------------------------|-------|
| 3 | 48600811S | ADJUSTING KNOB + SCREW | 2 |
| 12 | 48600736 | OUTER TUBE L577 D54/60MM 2L | 2 |
| 13 | 48600698 | FORK PROTECTION RING 08 | 2 |
| 15 | 48601009 | GUIDING BUSH 48X52X12 R11 | 2 |
| 16 | 48600013 | SUPPORT RING 50 X 57,6 X 1,5 | 2 |
| 17 | 48600969 | OIL SEAL RING D48 SKF | 2 |
| 18 | 48600070 | LOCK WASHER SB58 | 2 |
| 19 | 48600968 | DUST SEAL DL D48 SKF | 2 |
| 22 | 48601008 | GUIDING BUSH 47X49X20 R11 | 2 |
| 24 | 48600281 | MEMBRANE | 2 |
| 26 | 48600301 | O-RING NBR 9,5X1,5 | 2 |
| 27 | 46810811 | O-RING NBR 17X2 PA | 2 |
| 28 | 48600280S | SCREW BUSH M20X1 L=33 CPL. | 2 |
| 29 | 48600275 | COPPER WASHER 20,5X26X1 | 2 |
| 30 | 48600269 | ADJUSTING TUBE L=371 | 2 |
| 31 | 48600464 | PISTON ROD SXS 2005 | 2 |
| 32 | 48600459 | COUNTERNUT M12X1 WS17 | 2 |
| 33 | 48600887 | REBOUND NEEDLE SX | 2 |
| 34 | 48600298 | O-RING 2X1,5 NBR | 2 |
| 35 | 48600444 | REBOUND SPRING C=4N/MM | 2 |
| 38 | 91410010S | SPRING D43.2 L485 5.2N/MM | x |
| 38 | 91410027S | SPRING 4,4 N/MM SET D=5,1MM | x |
| 38 | 91410028S | SPRING 4,6 N/MM SET D=5,1MM | x |
| 38 | 91410029S | %POLISHED SPRING 4,8 N/MM | x |
| 38 | 91410030S | SPRING 5,0 N/MM | x |
| 38 | 91410059S | SPRING 4,0 N/MM SET | x |
| 38 | 91410060S | SPRING 4,2 N/MM SET D=5,0MM | x |
| 39 | 48600456 | SPACER 43X35X2,5 | x |
| 39 | 48600457 | SPACER 43X35X5 | x |
| 39 | 48600458 | SPACER 43X35X1,5 | x |
| 40 | 48600525 | GUIDING BUSH REBOUND SPRING | 2 |
| 42* | 48601298 | SPRING SUPPORT | 2 |
| 43 | 48600299 | O-RING 6X1,2 NBR | 4 |
| 44 | 48600578 | SPRING REB. L=32 C=37 DI=13,9 | 2 |
| 45 | 48600576 | PISTON ROD REBOUND | 2 |
| 47 | 48600382 | SHUTTLE VALVE SPRING C=0,4 | 2 |
| 48 | 48600519S3 | MEMBRANE HOLDER INKL. PIN SET | 2 |
| 49 | 48600512 | LOCK WASHER D=25,5 | 2 |

C145030130

* NEW PART

X ON DEMAND



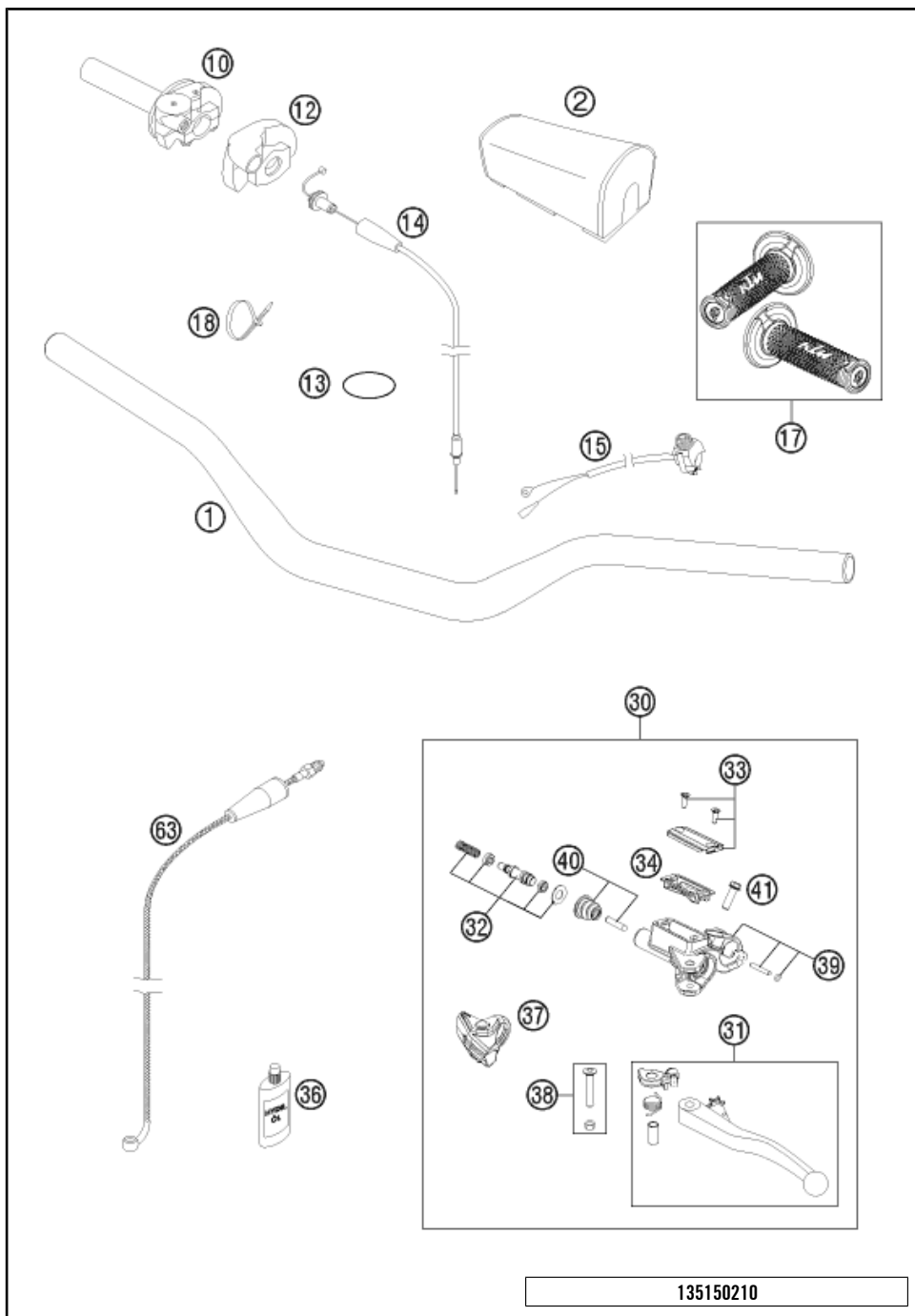
| POS | PARTNUMBER | PARTNAME | PIECE |
|-----|------------|------------------------------|-------|
| 50 | 48600542 | AH SCREW M4X6 | 2 |
| 51 | 46811499 | O-RING NBR 21X2 | 4 |
| 52 | 48600047 | PISTON COMPRESSION D=27,9 | 2 |
| 53 | 50180222 | O-RING NBR 4X1,5 | 8 |
| 54 | 48600977S | PIN KIT | 2 |
| 55 | 40540486 | NUT M6X0,5 REBOUND | 2 |
| 56 | 48600744 | GUIDE RING 44 X39 | 2 |
| 57 | 48600577 | RING SPRING-SUPPORT | 2 |
| 59 | 48600113 | WASHER 32X42X2,5 | 2 |
| 60 | 48600863SA | AXLE CLAMP LEFT + TUBE CPL. | 1 |
| 61 | 48600864SA | AXLE CLAMP RIGHT + TUBE CPL. | 1 |
| 62 | 0025080256 | HH COLLAR SCREW M8X25 TX40 | 4 |
| 63 | 48601169 | NUT VALVE M6X0,5 | 2 |
| 64 | 48600202 | SPRING CHECK VALVE D=0,7 | 2 |
| 69 | 48600509 | PISTON ROD COMPRESSION | 2 |
| 71 | 48600575 | PISTON REBOUND SX 2007 | 2 |
| 72 | 48600455 | PISTON RING 5X1X68 | 2 |
| 74 | 48601056 | RING 23,45X8,9 | 2 |
| 75 | 48600829 | SHAFT SEAL RING 12MM | 2 |
| 76 | 48601055S | SCREW SLEEVE M24,5X1 CPL. | 2 |
| 77 | 48600430 | DU BUSH FOR PISTON ROD | 2 |
| 78 | 48600709 | CHECK VALVE STOP | 2 |
| 79 | 48600446 | LOCK WASHER D=20 | 2 |
| 81 | 15080017 | SILICON CAP | 2 |
| 82 | 48600692 | RUBBER CAP D=26,4 | 2 |
| 83 | 48601166S1 | FORK OIL SAE4 5L | 1 |
| 84 | 40140024 | O-RING NBR 43X2 | 2 |
| 85 | 48600516S1 | SCREW CAP CPL. L=125 | 2 |
| 87 | 48600526 | SCREW M4X10 | 4 |
| 88 | 48600514 | MEMBRANE SLEEVE | 2 |
| 98 | T511 | SILICONE GREASE F. DUST STRI | 1 |
| 99 | R14020 | SXS SERVICE KIT | 1 |

125030130

C145030130

* NEW PART

X ON DEMAND

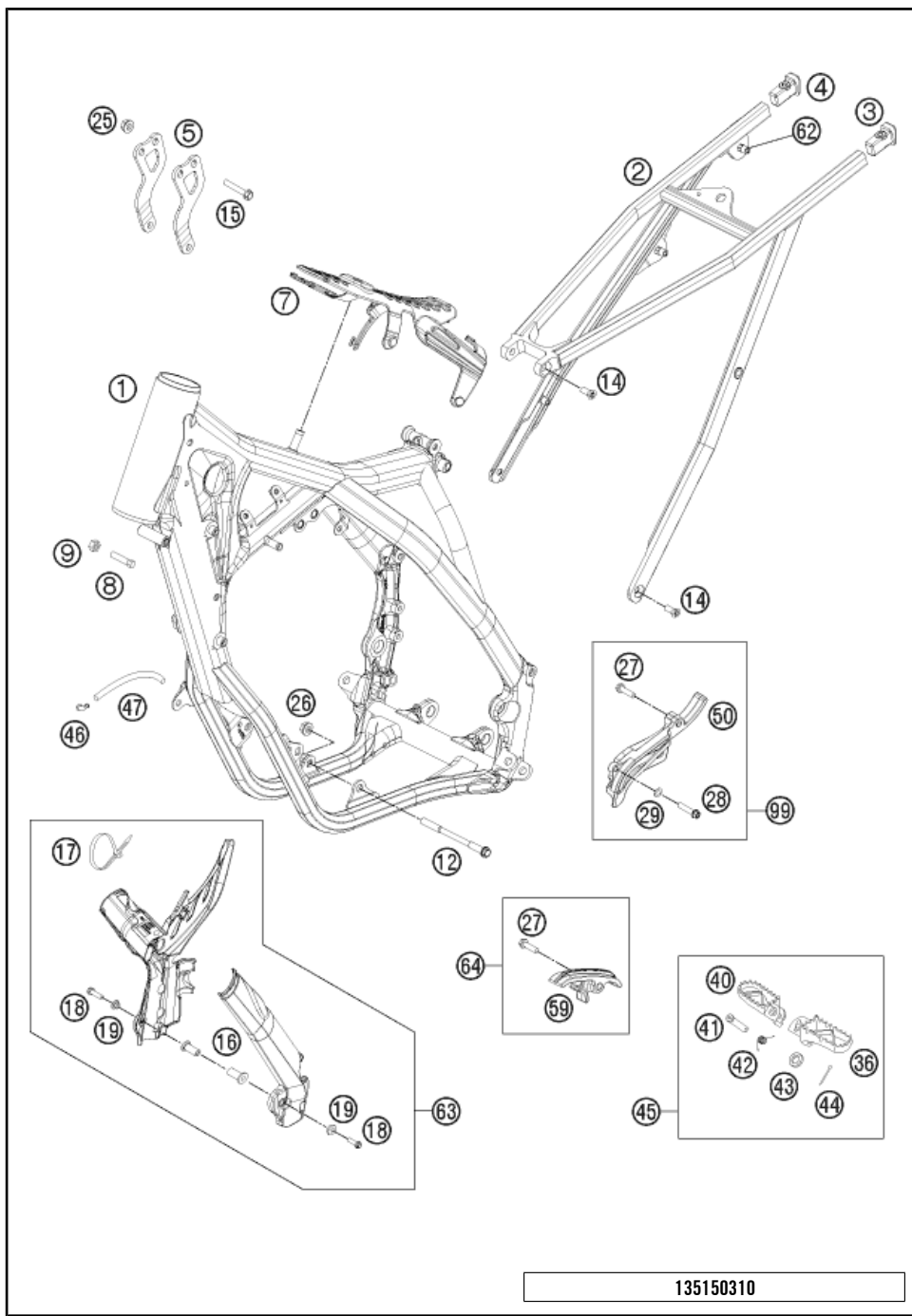


| POS | PARTNUMBER | PARTNAME | PIECE |
|-----|---------------|--------------------------------|-------|
| 1 | 7770200100030 | HANDLEBAR RENTHAL BLACK 13 | 1 |
| 2* | 77702002000 | BAR PAD RENTHAL | 1 |
| 10* | 51502010200 | THROTTLE GRIP CPL. 2ST. 13 | 1 |
| 12 | 50302020000 | PROTECTION COVER '97 | 1 |
| 13 | 0770021300 | O-RING 40,94X2,62 NBR70 | 1 |
| 14 | 51502091100 | THROTTLE CABLE 2T.DOM/KEIH. 13 | 1 |
| 15 | 50311089200 | SHORT CIRCUIT BUTTON 02 | 1 |
| 17 | 78102021000 | GRIP SET | 1 |
| 18 | 44011076200 | CABLE TIE 200/3,6MM BLACK | 1 |
| 30 | 50302030300 | MASTER CYLINDER CPL. 9,5MM 09 | 1 |
| 31 | 50302031300 | CLUTCH LEVER CPL. 2009 | 1 |
| 32 | 50302032100 | REP.KIT PISTON 9,5MM 09 | 1 |
| 33 | 50302033200 | COVER HYDR. CLUTCH CPL. 09 | 1 |
| 34 | 50302034100 | RUBBER FOR RESERVOIR 09 | 1 |
| 36 | 50302036200 | OIL FOR HYD. CLUTCH 100 ML | 1 |
| 37 | 50302037100 | MUD CAP 09 | 1 |
| 38 | 50302038200 | LEVER SCREW SHORT CPL. 09 | 1 |
| 39 | 83013005000 | CLAMP, CYL. PIN, O-RING | 1 |
| 40 | 50302046000 | PUSH ROD CPL. 09 | 1 |
| 41 | 0025060166 | HH COLLAR SCREW M6X16 TX30 | 1 |
| 63 | 50332063200 | CLUTCH PIPE L=970MM 04 | 1 |

135150210

C145030210

* NEW PART X ON DEMAND



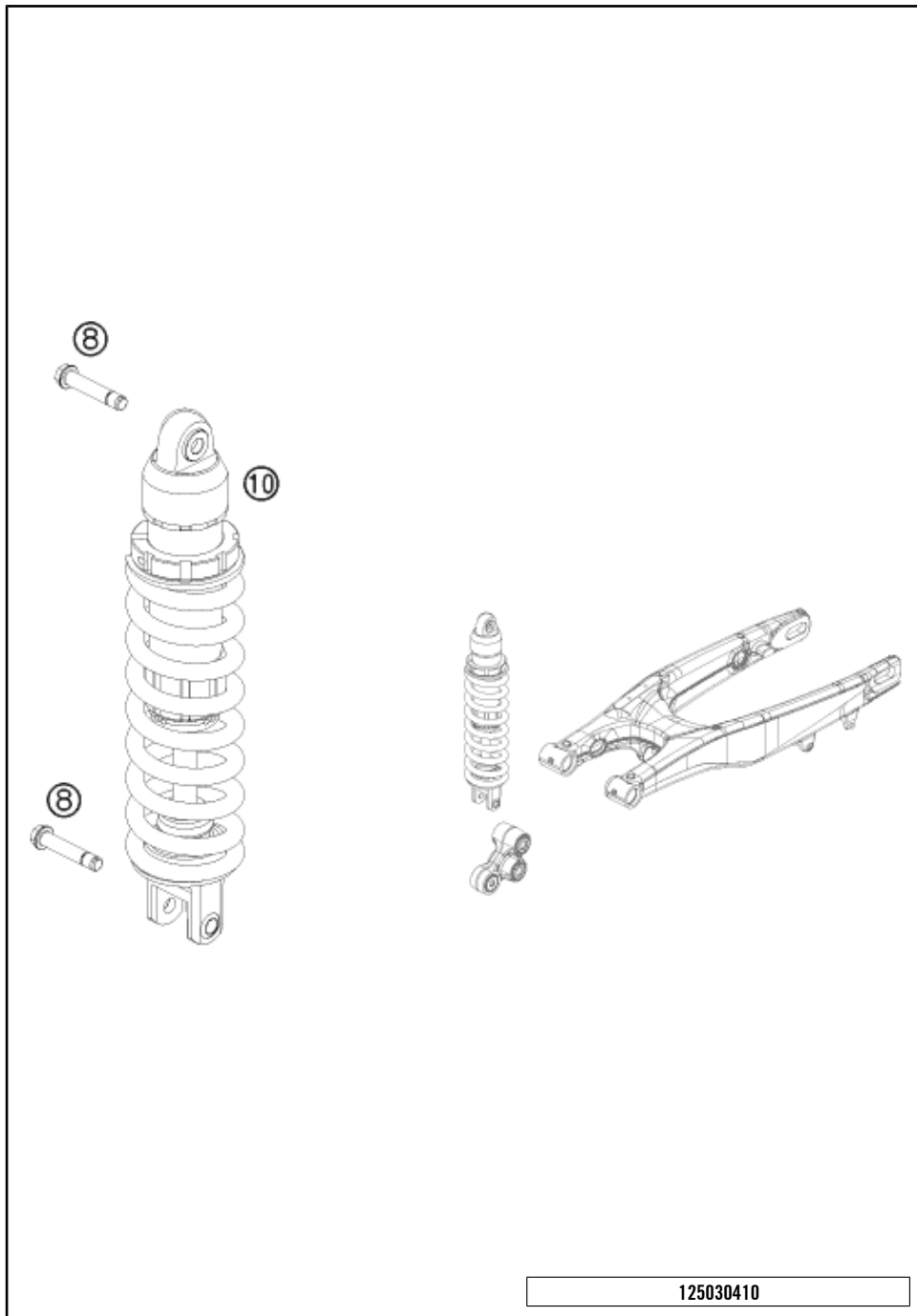
135150310

| POS | PARTNUMBER | PARTNAME | PIECE |
|-----|---------------|--------------------------------|-------|
| 1 | 51503101000BE | FRAME ANTHRACITE "515L3" | 1 |
| 2 | 77203002000 | SUB FRAME SX | 1 |
| 3* | 78103002010 | SUB FRAME APPLICATION LEFT | 1 |
| 4* | 78103002020 | SUB FRAME APPLICATION RIGHT | 1 |
| 5 | 51503113000 | ENGINE BRACE 125 SX | 2 |
| 7 | 77207012000 | TANK REST RUBBER | 1 |
| 8 | 59001037000 | SPECIAL SCREW M8X26 WS=10 | 2 |
| 9 | 0934080003 | HEXAGON NUT DIN0934-M 8 | 2 |
| 12 | 54603013000 | ENGINE BRAC.SCR. M10X105 WS=13 | 2 |
| 14 | 0019080206S | FLAT HEAD SCREW M. ISA45 M8X20 | 4 |
| 15 | 56530079000 | HH COLLAR SCREW M 8X44 WS13 | 3 |
| 16 | 54803092050 | BLIND PLUG-IN NUT M5 WN 22A 03 | 2 |
| 17 | 44011076140 | CABLE TIE 140/2,5MM BLACK | 1 |
| 17 | 44011076305 | CABLE TIE 300/4,8MM BLACK | 3 |
| 18 | 0738050250 | COU.SUNK SCR. AH ISO7380 M5X25 | 2 |
| 19 | 54803092060 | BUSH F. FRAME PROTECTION 03 | 2 |
| 25 | 54310086200 | SELF LOCKING NUT M8 10.9 | 3 |
| 26 | 54310086100 | SELF LOCKING NUT M10 CU WS=14 | 2 |
| 27 | 0025080306 | HH COLLAR SCREW M8X30 TX40 | 2 |
| 28 | 0025060406 | HH COLLAR SCREW M6X40 TX30 | 1 |
| 29 | 0125060003 | WASHER DIN0125-A 6,4 | 1 |
| 36 | 59003040250 | FOOT PEG L/S SILVER 02 | 1 |
| 40 | 59003041250 | FOOT PEG R/S SILVER 02 | 1 |
| 41 | 54803044000 | BOLT FOR FOOT PED 03 | 2 |
| 42 | 54603041000 | FOOTREST SPRING L/S & R/S | 2 |
| 43 | 0125100003 | WASHER DIN0125-A10,5 | 2 |
| 44 | 0094032253 | PIN DIN0094-3,2X25 STEEL | 2 |
| 45* | 78003040033 | FOOTREST L/S + R/S CPL. 09 | 1 |
| 46 | 50303089000 | ANGLE PIECE '97 | 2 |
| 47 | 55007016001 | PVC-HOSE 7X10 PER METER | 0 |
| 50 | 54803096000 | SPROCKET COVER 250 SX 07 | 1 |
| 59 | 77203053000 | CHAIN SLIDING PIECE BELOW | 1 |
| 62 | 77303139000 | BLIND RIVET NUT EM6-60LF/HX | 4 |
| 63 | 77203094000 | PLASTIC FRAME PROTECTION SET | 1 |
| 64 | 77203053010 | CHAIN SLIDING KIT BELOW CPL.11 | 1 |
| 99 | 54803096010 | SPROCKET COVER KIT | 1 |

C145030310

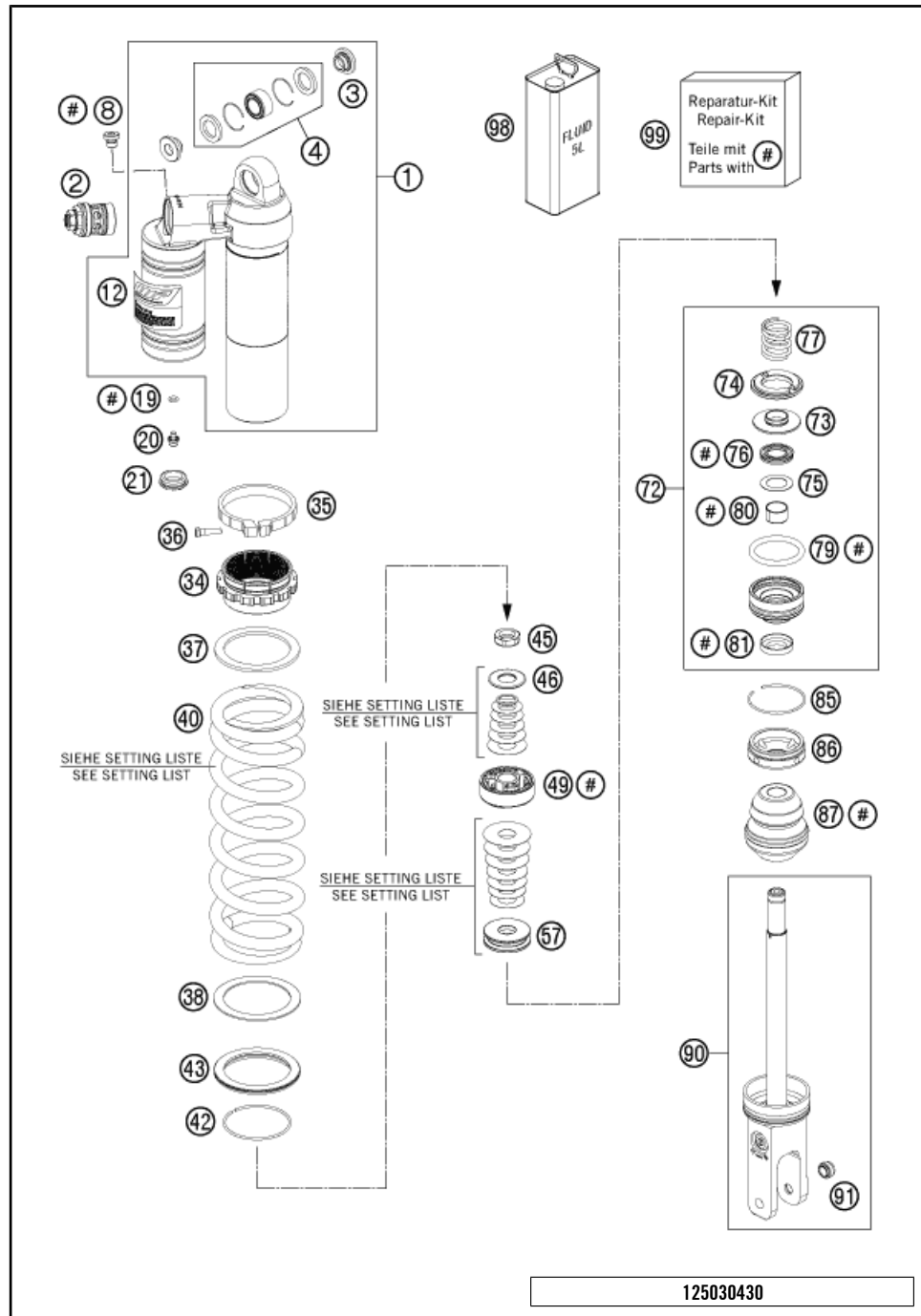
* NEW PART

X ON DEMAND



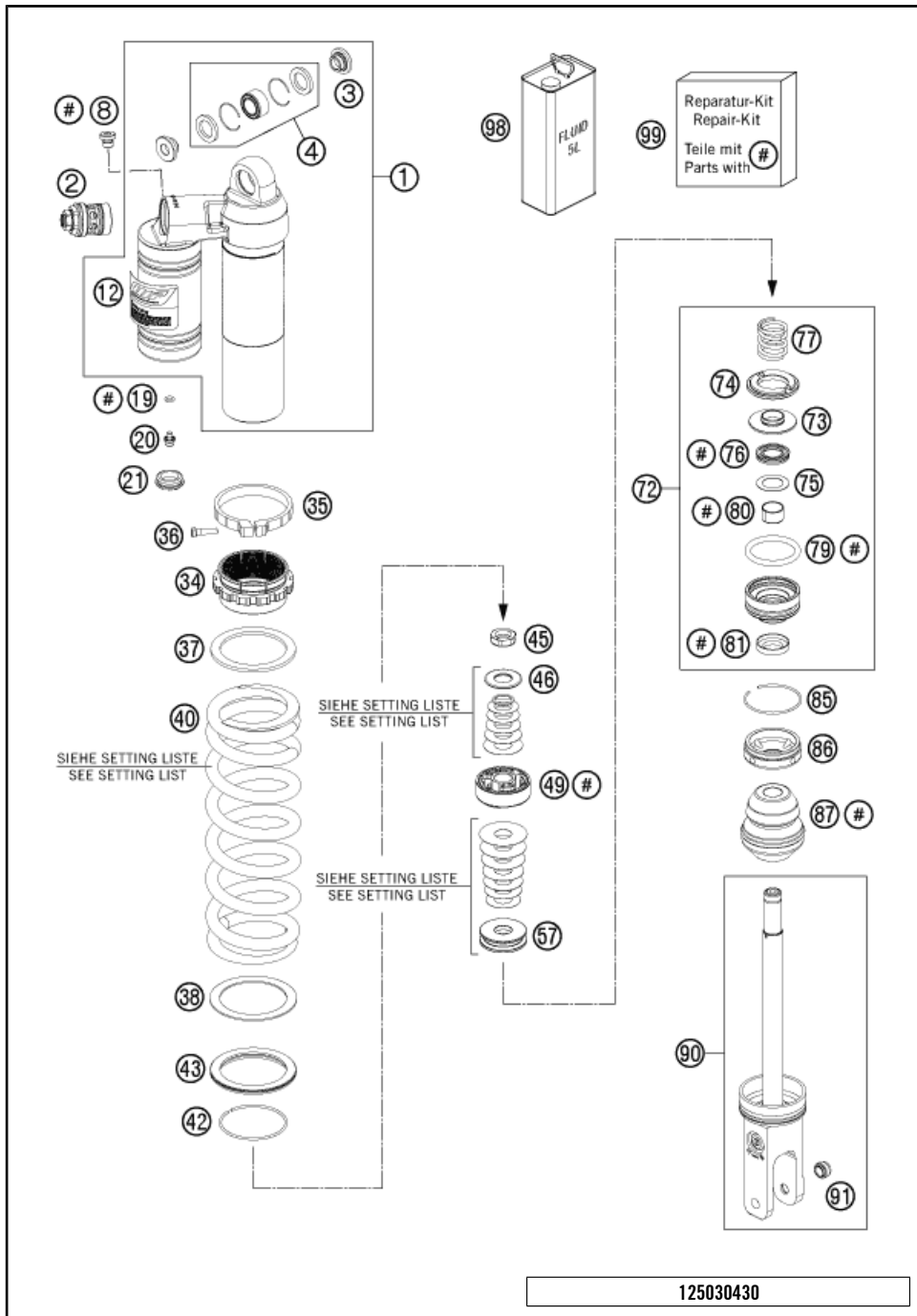
| POS | PARTNUMBER | PARTNAME | PIECE |
|-----|-------------|------------------------------|-------|
| 8 | 77204089000 | HH COLLAR SCREW M10X52 SW13 | 2 |
| 10 | 18187M0101 | MONOSHOCK LINK 125/150 SX 13 | 1 |

125030410
C145030410
* NEW PART
X ON DEMAND



| POS | PARTNUMBER | PARTNAME | PIECE |
|-----|-------------|--------------------------------|-------|
| 1 | 50180944S1 | MONOSHOCK UPPER PART CPL. | 1 |
| 2 | 50180213S15 | DCC COMPR.DAMP.CON. SX 12 LINK | 1 |
| 3 | 46180010 | BUSH KGW 10X24 | 2 |
| 4 | R12012 | REP. KIT BEAR./SEAL UP. 07 | 1 |
| 8 | 50180095 | BLEED PLUG R 1/8 | 1 |
| 12 | 52000087 | STICKER WP MONOSHOCK | 1 |
| 19 | 46810893 | O-RING NBR 5,28X1,78 | 1 |
| 20 | 36120151 | SCREW PLUG M5X6 | 1 |
| 21 | 46811208 | RUBBER CAP "DO NOT OPEN" | 1 |
| 34 | 50180938 | ADJUSTING NUT PLASTIC | 1 |
| 35 | 50180937 | TENSIONING RING D64 H10 | 1 |
| 36 | 14460042 | %ALLENHEAD SCREW M5 L=20 STAIN | 1 |
| 37 | 50180965 | SPACER RING SPRING 61,3X78X3 | 1 |
| 38 | 50180793 | SPACER RING ADJUSTING NUT | 1 |
| 40 | 91210081S | SPRING 260 48 N/MM ORANGE | x |
| 40 | 91210082S | SPRING 260 51N/MM D11,25 OR. | x |
| 40 | 91210083S | SPRING 260 54N/MM D11,5 OR. | x |
| 40 | 91210084S | SPRING 260 57N/MM D11,75 OR. | x |
| 40 | 91210089S | SPRING 260 60 N/MM ORANGE | x |
| 40 | 91210085SA | SPRING 45-260 d11 ORANGE CPL. | x |
| 42 | 50180273 | CIRCLIP 58,2X2 | 1 |
| 43 | 50180824 | VALVE SPRING D80 CLOSED | 1 |
| 45 | 50180141 | PISTON ROD NUT M16X1 | 1 |
| 46 | 50180989 | REBOUND DISC 16X34 T3 H0 | 1 |
| 49 | 50180786S | PISTON D50 | 1 |
| 57 | 50180801 | REBOUND DISC D16X43 H8 | 1 |
| 72 | 50180603SA | ADAPTER D50 H28 CPL. | 1 |
| 73 | 50180800 | SPRING RING | 1 |
| 74 | 50180798 | REBOUND RUBBER | 1 |
| 75 | 50180604 | SHIM D29,75 X D19 X T0,4 08 | 1 |
| 76 | 50180605S | SEAL D18X30X5 08 | 1 |
| 77 | 50180780 | REBOUND SPRING | 1 |
| 79 | 50180103 | O-RING 41X5 | 1 |
| 80 | 50180974 | DU-BUSHING 18X20X12 | 1 |
| 81 | 50180606 | DUST SEAL 1828 08 | 1 |
| 85 | 50180126 | CIRCLIP 53X1,75 | 1 |
| 86 | 50180626 | RESERVOIR CAP D=50 H=10 09 | 1 |
| 87 | 50180775 | BUMP RUBBER | 1 |

* NEW PART X ON DEMAND

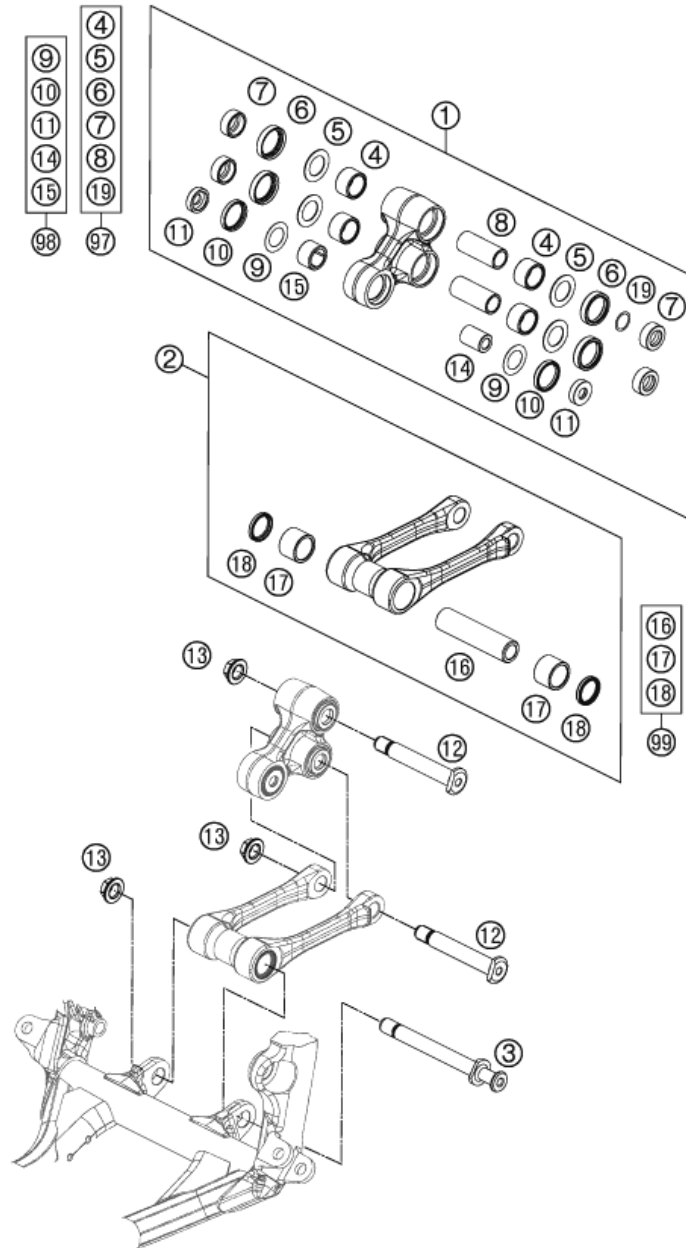


| POS | PARTNUMBER | PARTNAME | PIECE |
|-----|-------------|-----------------------------|-------|
| 90 | 50180773SA1 | MONOSHOCK BOTTOM PART CPL. | 1 |
| 91 | 46811205 | ADAPTOR-BUSH M10x1,50, D=15 | 1 |
| 98 | 50180751S1 | SHOCK ABSORBER FLUID 5 LT | 1 |
| 99 | R12020 | REPAIR KIT | 1 |

125030430

C145030430

* NEW PART X ON DEMAND



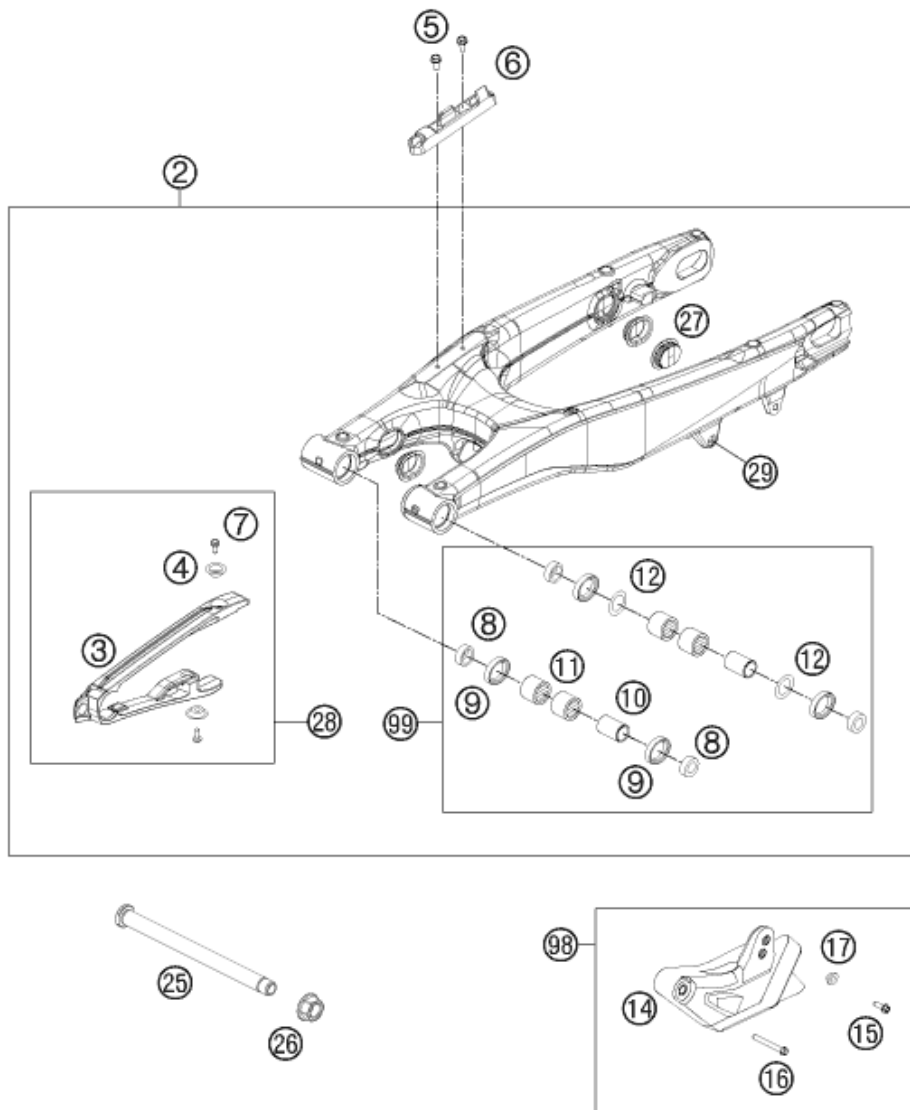
137780460

| POS | PARTNUMBER | PARTNAME | PIECE |
|-----|---------------|--------------------------------|-------|
| 1 | 7720408014401 | TRIANGLE LEVER CPL. SX 2013 | 1 |
| 2 | 7720408304401 | PULL ROD CPL. | 1 |
| 3 | 77204084000 | PULL ROD ANCHOR BOLT | 1 |
| 4 | 54603097000 | NEEDLE BUSH HK 2016 | 4 |
| 5 | 59033080000 | SHIM 20X32X1 | 4 |
| 6 | 0760253270 | SHAFT SEAL RING 25X32X7 | 4 |
| 7 | 77204080130 | BUCKET SHAFT SEAL RING 25X11 | 4 |
| 8 | 54603081000 | BUSHING SLEEVE 15 X 20 X 48 | 2 |
| 9 | 50180604 | SHIM D29,75 X D19 X T0,4 08 | 2 |
| 10 | 0760243050 | SHAFT SEAL RING 24X30X5 | 2 |
| 11 | 77204080020 | BUCKET FOR SHAFT SEAL RING | 2 |
| 12 | 77204085000 | BOLT FOR CANTILEVER M14 | 2 |
| 13 | 77204087000 | HEX NUT M14X1.5 SW17 | 3 |
| 14 | 77204080010 | BEARING SLEEVE 10X18X25,5 | 1 |
| 15 | 0618182416 | NEEDLE BUSH HN1816 RS 18/24/16 | 1 |
| 16 | 77204084010 | BEARING SLEEVE | 1 |
| 17 | 0618222820 | NEEDLE BEARING HK2220 22X28X20 | 2 |
| 18 | 0760222841 | SHAFT SEAL RING G22x28x4 | 2 |
| 19 | 54603090010 | STEEL WASHER 15,2X19X0,1 | x |
| 19 | 54603090020 | STEEL WASHER 15,2X19X0,2 | x |
| 19 | 54603090030 | STEEL WASHER 15,2X19X0,3 | x |
| 97 | 77204080110 | TRIANGLE LEVER REP. KIT REAR | x |
| 98 | 77204080090 | TRIANGLE LEVER REP. KIT FRONT | x |
| 99 | 77204083010 | PULL ROD REP. KIT SX/SX-F | x |

C147780460

* NEW PART

X ON DEMAND



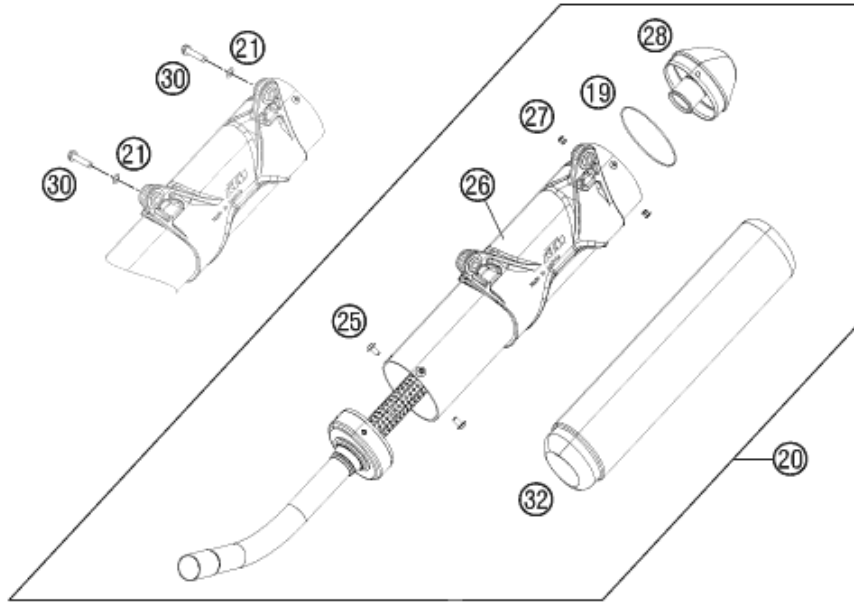
| POS | PARTNUMBER | PARTNAME | PIECE |
|-----|-------------|--------------------------------|-------|
| 2* | 77704030144 | SWINGARM CPL. 2014 | 1 |
| 3 | 77204066000 | CHAIN SLIDING PROTECTION | 1 |
| 4 | 77304066050 | BUSHING F. CHAIN SLIDING PR.07 | 2 |
| 5 | 0009050106 | EJOT SPIRAL SCREW SF M5X10-K | 2 |
| 6 | 76504042000 | BRAKE LINE GUIDE 08 | 1 |
| 7 | 59009062013 | SPECIAL SCREW M6X13 WS=8 10.9 | 2 |
| 8 | 54804034000 | BUCKET F. SHAFT SEAL RING 03 | 4 |
| 9 | 0760253270 | SHAFT SEAL RING 25X32X7 | 4 |
| 10 | 54804032000 | BUSHING SLEEVE F. SWING ARM 03 | 2 |
| 11 | 58033097000 | NEEDLE BEARING HK 2216 | 4 |
| 12 | 54603036000 | STOP DISK 22,2X31,7X1 | 2 |
| 14* | 77704070000 | CHAIN GUIDE REAR CPL. SX 2013 | 1 |
| 15 | 59009062019 | SPECIAL SCREW M6X19 WS=8 10.9 | 1 |
| 16 | 0025060456 | HH COLLAR SCREW M6X45 TX30 | 1 |
| 17 | 77304070130 | BUSH. F. CHAIN FAIL. PROT. 07 | 1 |
| 25 | 77304037000 | SWINGARM BOLT M16X1,5 07 | 1 |
| 26 | 54804038000 | SELF LOCK.NUT M16X1,5 WS=19 03 | 1 |
| 27 | 77204041000 | CLOSING COVER | 4 |
| 28 | 77204066010 | CHAIN GUARD CPL. 11-12 | 1 |
| 29 | 54603055051 | PRESS IN NUT M6 STEEL ZINC | 1 |
| 98* | 77704070210 | CHAIN GUIDE KIT REAR SX-F 14 | 1 |
| 99 | 54804230210 | SWINGARM REPAIR KIT 05-12 | x |

137780490

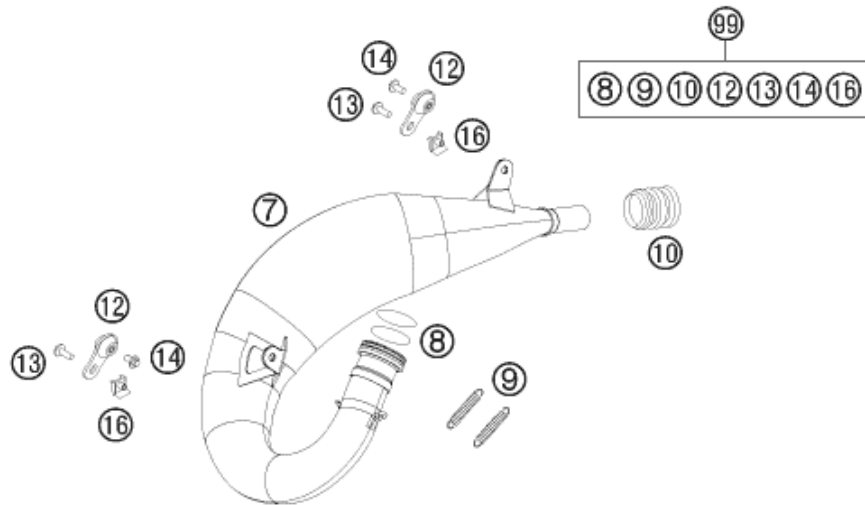
C147780490

* NEW PART

X ON DEMAND



| POS | PARTNUMBER | PARTNAME | PIECE |
|-----|-------------|--------------------------------|-------|
| 7 | 50305007300 | EXHAUST PIPE CPL. SX 2006 | 1 |
| 8 | 0770440030 | O-RING 44,00X3,00 VITON | 2 |
| 9 | 50305016000 | TEN.SPRING L=62MM EY.MOVEABLE | 2 |
| 10 | 54605057000 | RUBBER SLEEVE D=21MM/23MM '93 | 1 |
| 12 | 50305012000 | SWINGELEMENT FOR EXHAUST PIPE | 2 |
| 13 | 0024060156 | HH COLLAR SCREW M6X15 TX30 | 2 |
| 14 | 0024060106 | HH COLLAR SCREW M6X10 TX30 | 2 |
| 16 | 54603048100 | RANGE CHANGE METAL NUT M6 | 2 |
| 19 | 0770740015 | O-RING 74,00X1,50 FKM 75SH | 1 |
| 20 | 50305079500 | SILENCER 125-150 SX | 1 |
| 21 | 0137060003 | SPRING WASHER DIN0137-B 6 | 2 |
| 25 | 58605083010 | SCREW TORX M5X10 05 | 4 |
| 26 | 50305179085 | SILENCER CASING CPL.W.MOUNTING | 1 |
| 27 | 0011480800 | DUMMY RIVET 4,8X 8 NIRO | 4 |
| 28 | 50305083260 | END CAP CPL. | 1 |
| 30 | 0025060306 | HH COLLAR SCREW M6X30 TX30 | 2 |
| 32 | 50305078235 | ROCK WOOL 235G | 1 |
| 99 | 00050000810 | EXHAUST HARDWARE KIT 05-13 | x |

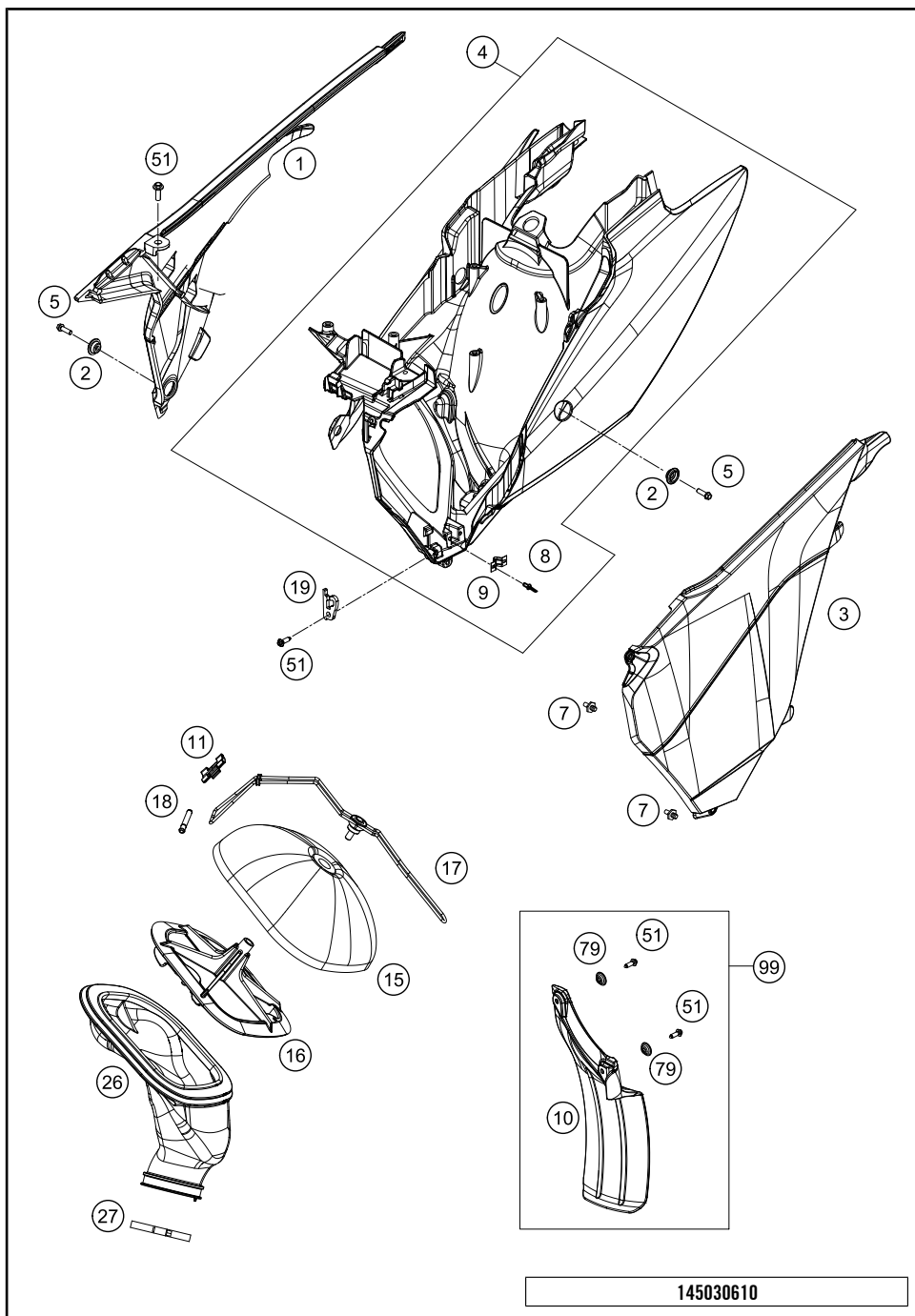


115150510

C145030510

* NEW PART

X ON DEMAND

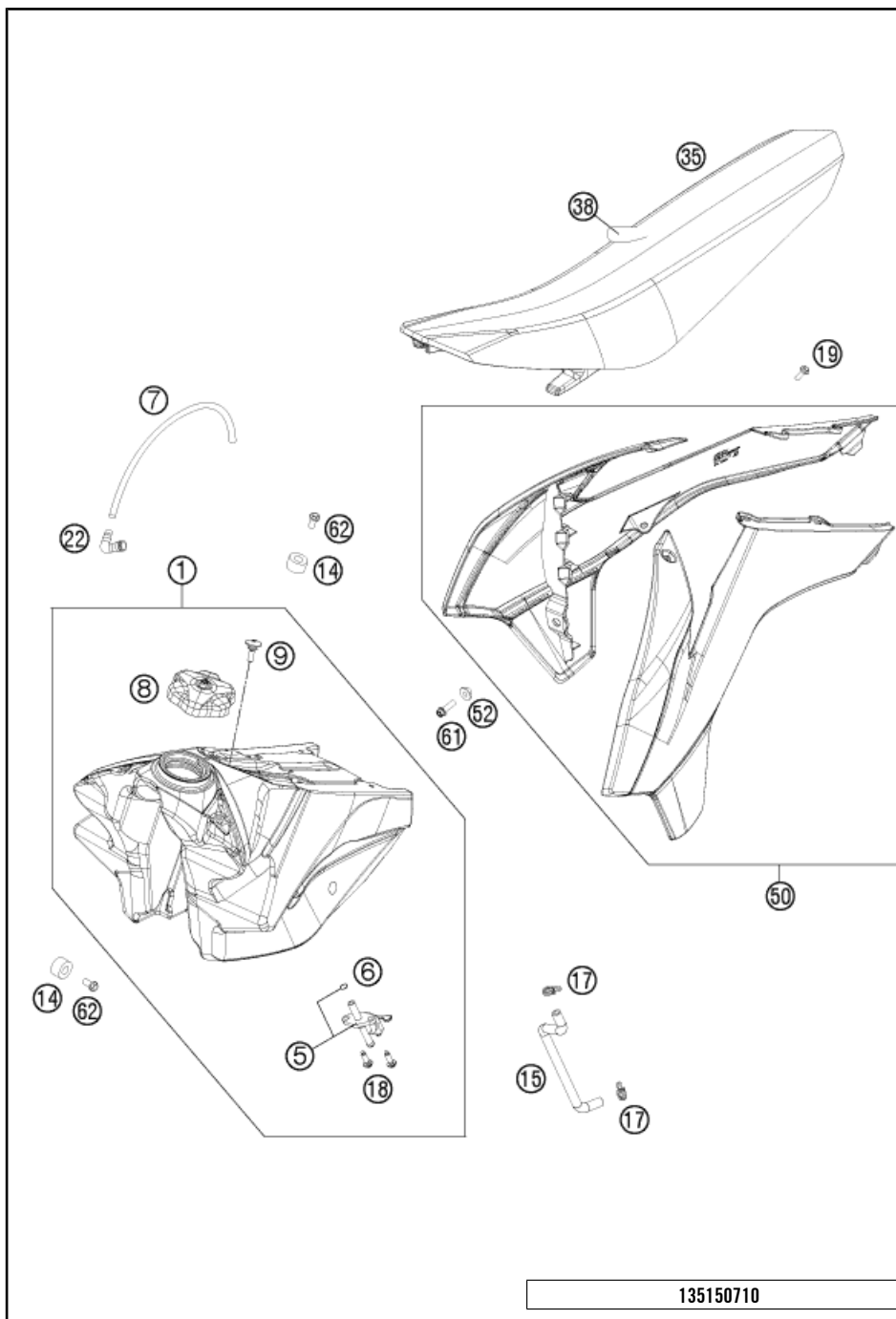


| POS | PARTNUMBER | PARTNAME | PIECE |
|-----|----------------|--------------------------------|-------|
| 1* | 7770600400004C | AIR BOX COVER R/S SX 14 | 1 |
| 2 | 77308013010 | COLLAR BUSH. F.REAR FENDER 07 | 2 |
| 3* | 7770600300004C | AIR BOX COVER L/S SX 14 | 1 |
| 4 | 7770600104428 | FILTER BOX CPL. WHITE 13 | 1 |
| 5 | 0025060206 | HH COLLAR SCREW M6X20 TX30 | 2 |
| 7 | 54806008051 | QUICK RELEASE-NIPPLE 03 | 2 |
| 8 | 54806108052 | BLIND RIVET 3,3X9,7 GROOVED 04 | 4 |
| 9 | 54806008050 | QUICK RELEASE-SPRING HANGER | 2 |
| 10 | 77306010000 | FENDER FOR FILTER BOX | 1 |
| 11* | 77706017052 | AIR BOX CLIP | 1 |
| 15 | 77206015000 | AIR FILTER | 1 |
| 16 | 54806516000 | FILTER CARRIER | 1 |
| 17 | 77206017000 | FILTER SUPPORT CPL. 11 | 1 |
| 18 | 77306018000 | FILTER SUPPORT BUSH 07 | 1 |
| 19 | 77206019000 | FASTEN. DEVICE FILTER S. SX 11 | 1 |
| 26 | 51506126000 | CABURETOR CONNECT. BOOT | 1 |
| 27 | 51006027000 | HOSE CLAMP 50-70MM | 1 |
| 51* | 0017060206 | SCREW F. PLASTIC K60X20AL SW6 | 4 |
| 79 | 77304066050 | BUSHING F. CHAIN SLIDING PR.07 | 2 |
| 99 | 77306010010 | SPLASH PROTECTOR KIT SX/EXC | x |

145030610

C145030610

* NEW PART X ON DEMAND



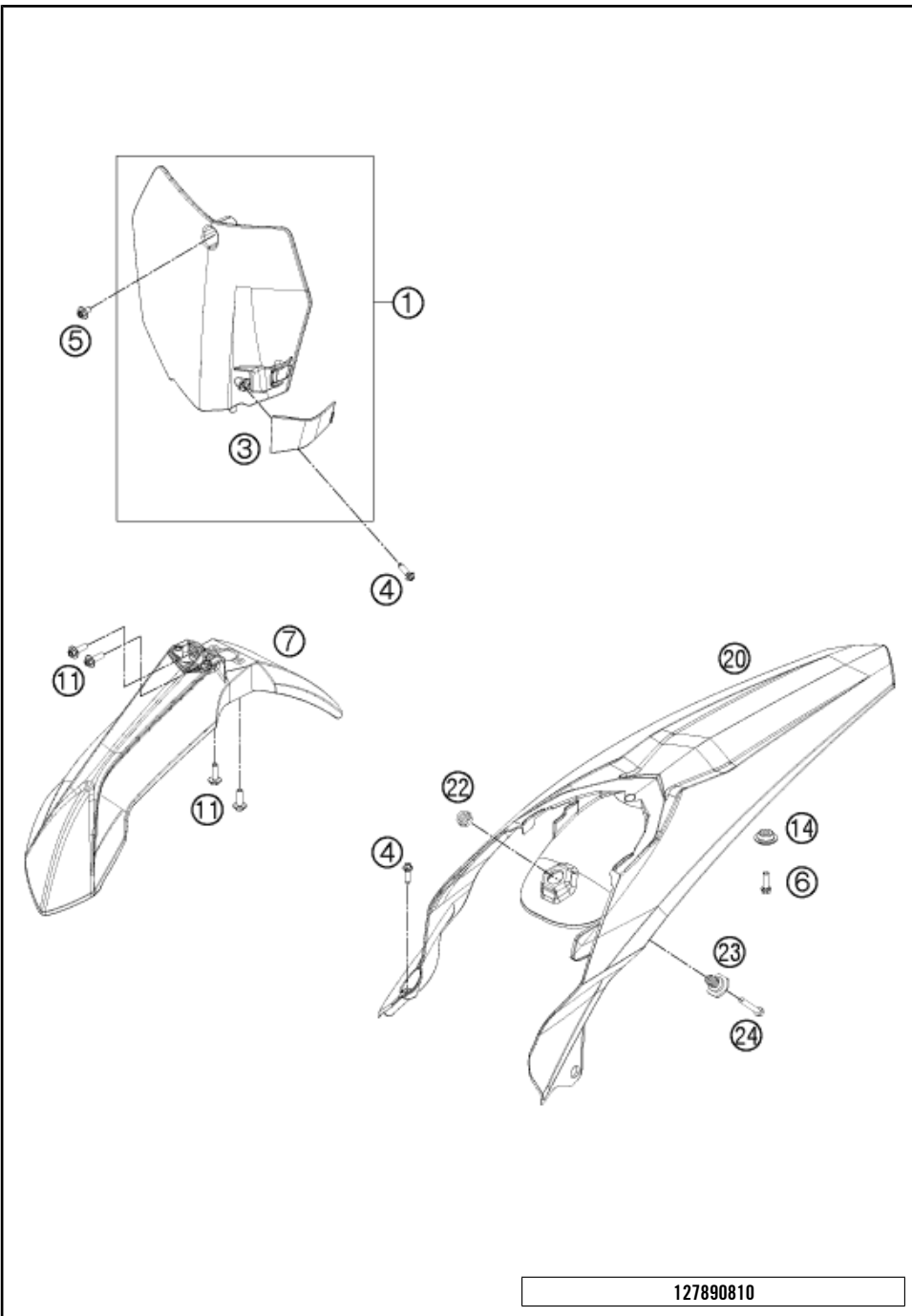
135150710

| POS | PARTNUMBER | PARTNAME | PIECE |
|-----|----------------|--------------------------------|-------|
| 1* | 5150701313330 | FUEL TANK CPL. 7,5L SX 14 | 1 |
| 5 | 50307005000 | GAS COCK MIKUNI ON/OFF 2001 | 1 |
| 6 | 0770130023 | O-RING 13,00X2,30 | 1 |
| 7 | 78007000270 | PVC-HOSE 5,6X10X270MM | 1 |
| 8* | 77707008144 | TANK PLUG CPL. 2014 | 1 |
| 9 | 50307011000 | SCREW SEAT FASTENING D=6X23/18 | 1 |
| 14 | 50307014000 | TANK ROLLER 12X26X12 '98 | 3 |
| 15 | 54807516000 | FUEL HOSE 6X2,5 | 1 |
| 17 | 58031005000 | CLAMP YDNAC 10128 12MM | 2 |
| 18 | 0017060203 | EJOT PT SCREW K60X20 WS=6 | 2 |
| 19* | 0017060206 | SCREW F. PLASTIC K60X20AL SW6 | 8 |
| 22 | 51030022000 | ANGLE PIECE 90 DEGREE M10X1 | 1 |
| 35* | 77207040200 | SEAT 2014 | 1 |
| 38 | 77207040050 | SEAT COVER | 1 |
| 50* | 7770805400004C | SPOILER KIT SX 2014 | 1 |
| 52 | 50308052000 | BUSH FOR SPOILER 6X11X16X5 MM | 2 |
| 61 | 0025060206 | HH COLLAR SCREW M6X20 TX30 | 2 |
| 62 | 0025060126 | HH COLLAR SCREW M6X12 TX30 | 3 |

C145030710

* NEW PART

X ON DEMAND



127890810

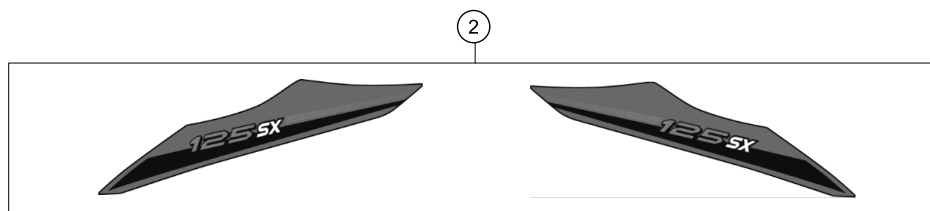
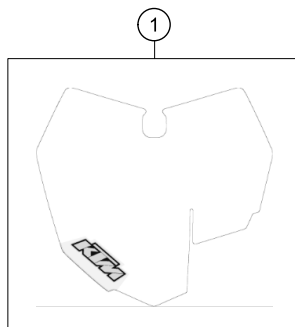
C147780810

| POS | PARTNUMBER | PARTNAME | PIECE |
|-----|---------------|--------------------------------|-------|
| 1 | 7770800704428 | START NUMBER PLATE WHITE SX 13 | 1 |
| 3 | 7770802200030 | BRAKE HOSE GUIDE BLACK 13 | 1 |
| 4* | 0017060206 | SCREW F. PLASTIC K60X20AL SW6 | 2 |
| 5 | 0024060106 | HH COLLAR SCREW M6X10 TX30 | 1 |
| 6* | 0025060166 | HH COLLAR SCREW M6X16 TX30 | 2 |
| 7 | 7770801000004 | FRONT FENDER ORANGE 13 | 1 |
| 11 | 0025060166 | HH COLLAR SCREW M6X16 TX30 | 4 |
| 14 | 77308013010 | COLLAR BUSH. F.REAR FENDER 07 | 2 |
| 20 | 7720801300004 | REARPART ORANGE SX 11 | 1 |
| 22 | 50314057050 | COLLAR NUT M12X1/WS17 H=5MM | 1 |
| 23 | 54807048000 | BUSHING FOR SEAT FASTENING 03 | 1 |
| 24 | 0025060256 | HH COLLAR SCREW M6X25 TX30 | 1 |

* NEW PART

X ON DEMAND

| POS | PARTNUMBER | PARTNAME | PIECE |
|-----|-------------|------------------------------|-------|
| 1* | 77708198000 | DECAL NUMBER PLATE SX/XC 14 | 1 |
| 2* | 50308598800 | DECAL SET REARPART 125 SX 14 | 1 |

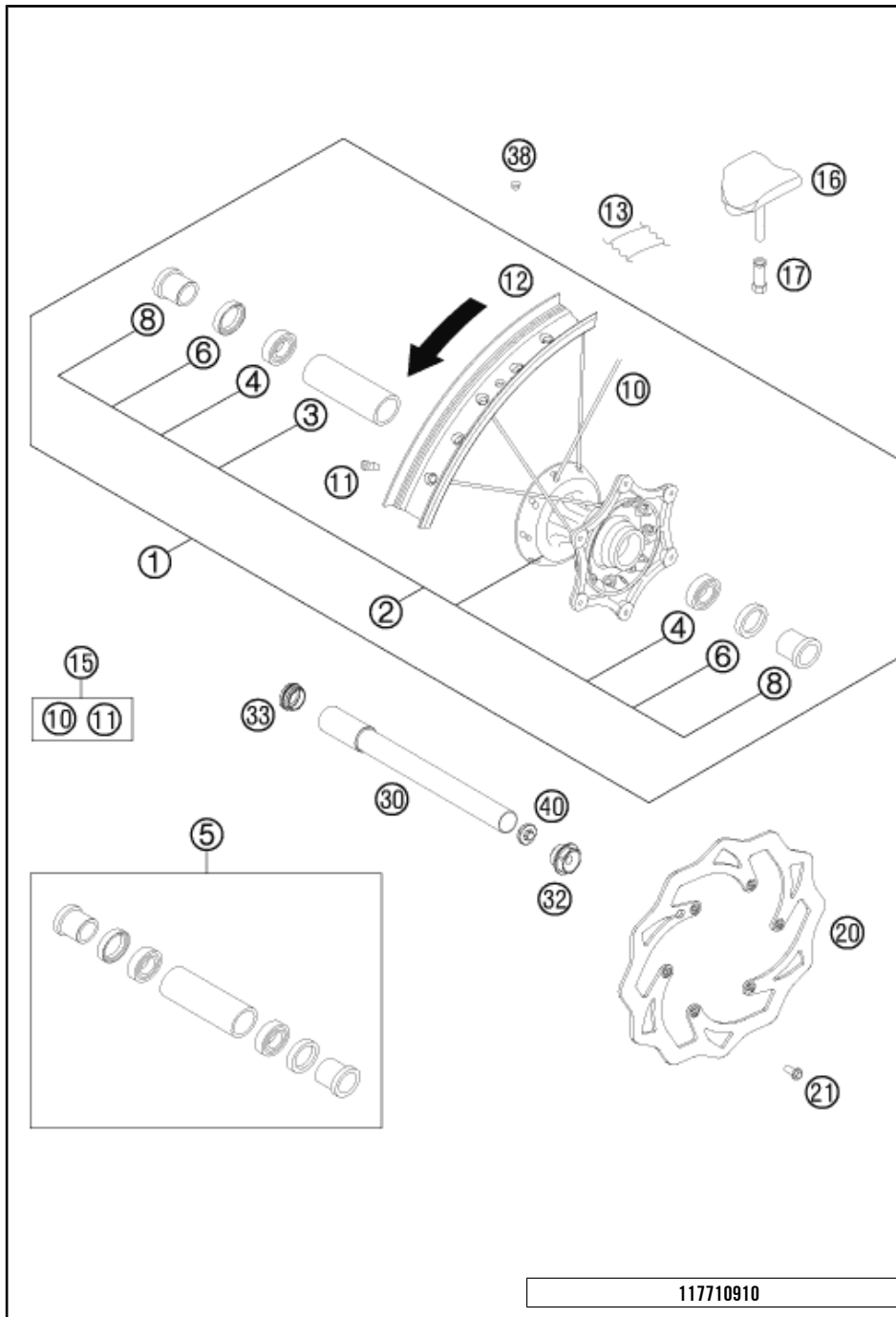


145030830

C145030830

* NEW PART

X ON DEMAND

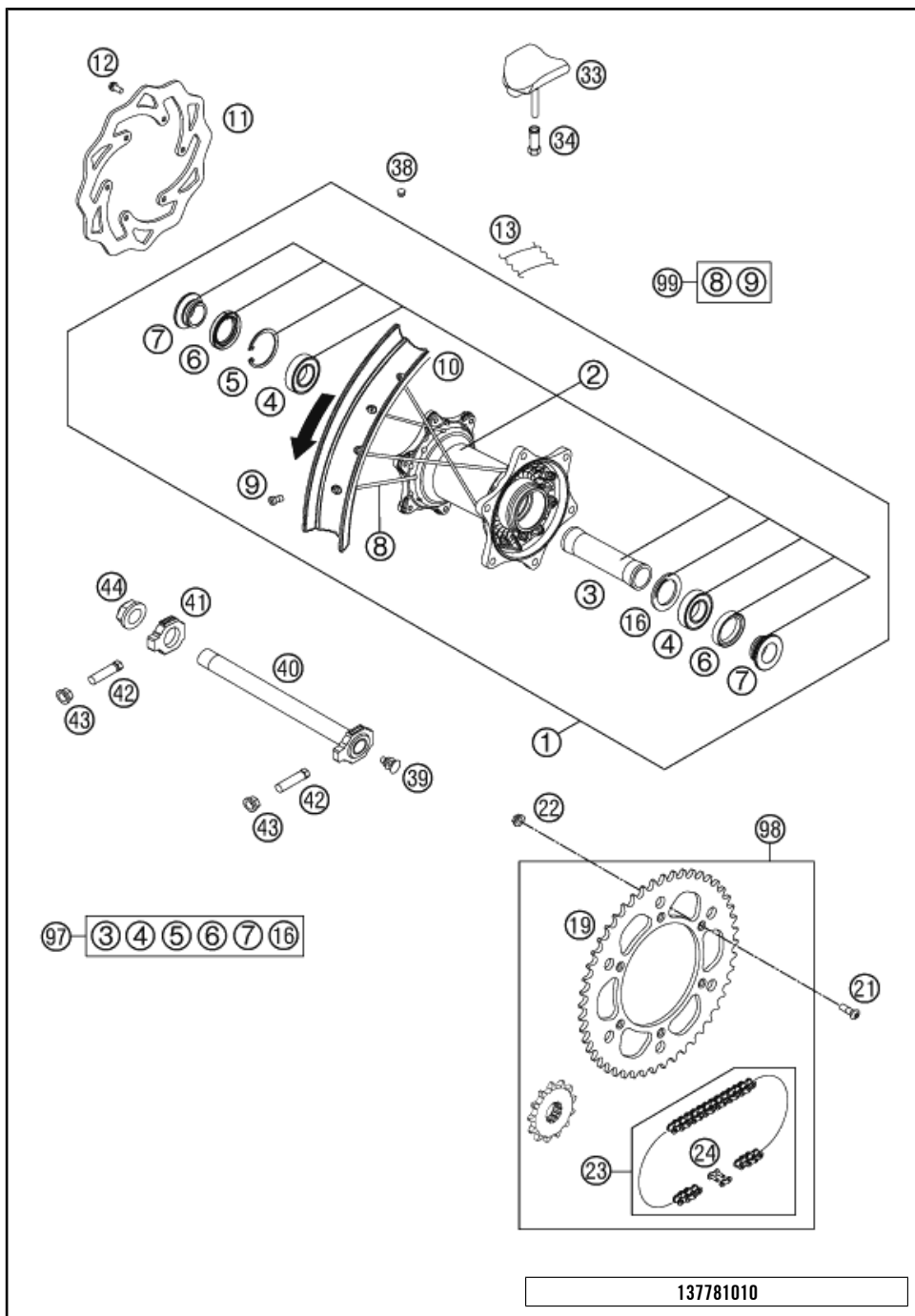


| POS | PARTNUMBER | PARTNAME | PIECE |
|-----|---------------|--------------------------------|-------|
| 1 | 77709001044 | FRONTWHEEL CPL.1,6X21EXCEL 13 | 1 |
| 2 | 77709010044 | FRONT WHEEL HUB CPL. | 1 |
| 3 | 54809011000 | BEA.SPACERTUBE 35X2 L=79,4 03 | 1 |
| 4 | 0625069068 | GR.BALL BEAR.6906 DDU2CG23S6NM | 2 |
| 5 | 78009015000 | FRONT WHEEL REP. KIT | 1 |
| 6 | 0760354771 | SHAFT SEAL RING 35X47X7 TC | 2 |
| 8 | 78009012000 | SPACER BUSHING F. FR. WHEEL 08 | 2 |
| 10 | 7710907122630 | SPOKE M4,5X226- 21" BLACK 12 | 36 |
| 11 | 77109072000 | SPOKE NIPPLE M4,5 AL 11 | 36 |
| 12 | 77109070000 | RIM 1,6"X21" EXCEL 11 | 1 |
| 13 | 50309073000 | RIM BAND 21" | 1 |
| 15 | 00050000954 | SPOKE KIT FRONT "21" BLACK | x |
| 16 | 78109090000 | RIM LOCK 1,60" | 1 |
| 17 | 77110090050 | NUT FOR WHEEL HOLDER | 1 |
| 20 | 77309060000 | BRAKE DISC FRONT 260 | 1 |
| 21 | 59009062013 | SPECIAL SCREW M6X13 WS=8 10.9 | 6 |
| 30 | 77309081000 | WHEEL SPIN.FR. D=26 M24x1,5 07 | 1 |
| 32 | 54809082000 | SPINDLE SCREW M24X1,5 WS=27 03 | 1 |
| 33 | 54809081050 | PLUG BUSHING WS=27 03 | 1 |
| 38 | 55003135000 | PLUG FOR RIM | x |
| 40 | 54809081070 | AUXILIARY SCREW FRONT 06 | 1 |

117710910

C147780910

* NEW PART X ON DEMAND

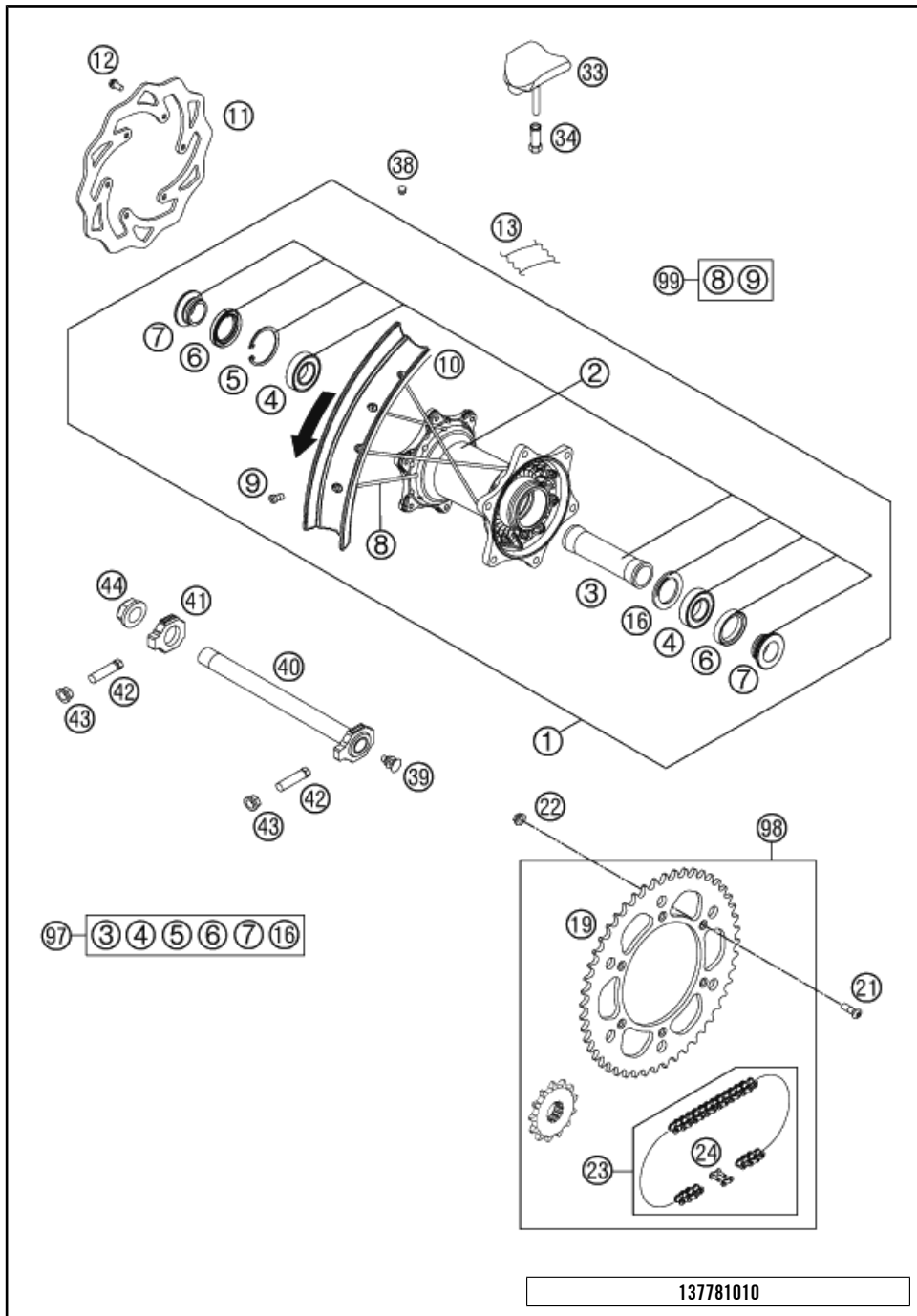


| POS | PARTNUMBER | PARTNAME | PIECE |
|-----|---------------|--------------------------------|-------|
| 1 | 77710001044 | REAR WHEEL CPL.2,15X19"EXC.13 | 1 |
| 2 | 78010010244 | REAR WHEEL HUB CPL. 2013 | 1 |
| 3 | 77710011000 | BEARING DISTANCE TUBE 121,5MM | 1 |
| 4 | 0625060058 | GR.BALL BEAR.6005 DDU2CG23S6NM | 2 |
| 5 | 0472047175 | CIRCLIP DIN0472-47X1,75 | 1 |
| 6 | 0760324771 | SHAFT SEAL RING 32X47X7 BSL | 2 |
| 7 | 77710016000 | DISTANCE BUSHING REAR WHEEL | 2 |
| 8 | 7711007120530 | SPOKE M4,5x205-19" BLACK | 36 |
| 9 | 77109072000 | SPOKE NIPPLE M4,5 AL 11 | 36 |
| 10 | 77110070000 | RIM 2,15"X19" EXCEL 11 | 1 |
| 11 | 77310060000 | BRAKE DISC REAR 220 | 1 |
| 12 | 59009062013 | SPECIAL SCREW M6X13 WS=8 10.9 | 6 |
| 13 | 50310073200 | RIM BAND 18" AND 19" | 1 |
| 16 | 77710015000 | DISTANCE RING | 1 |
| 19 | 58310051038 | REAR SPROCKET 38-T | x |
| 19 | 58310151040 | REAR SPROCKET 40-T | x |
| 19 | 58310051042 | REAR SPROCKET 42-T | x |
| 19 | 58310151045 | REAR SPROCKET 45-T | x |
| 19 | 58310151048 | REAR SPROCKET 48-T | x |
| 19 | 58310151049 | REAR SPROCKET 49-T | x |
| 19 | 58310151050 | REAR SPROCKET 50-T | 1 |
| 19 | 58310151051 | REAR SPROCKET 51-T | x |
| 19 | 58310151052 | REAR SPROCKET 52-T | x |
| 21 | 0019080266S | COUNTER-SUNK SCREW ISA45 M8X26 | 6 |
| 22 | 06923080003 | HEXAGON NUT DIN EN1661 M8 SW13 | 6 |
| 23 | 50310165118 | CHAIN 5/8X1/4" MX | 1 |
| 24 | 50310166000 | CONNECTING LINK F. 50310165118 | 1 |
| 33 | 78110090000 | RIM LOCK 2,15" | 1 |
| 34 | 77110090050 | NUT FOR WHEEL HOLDER | 1 |
| 38 | 55003135000 | PLUG FOR RIM | x |
| 39 | 50210086000 | COVERING CAP SFL16 | x |
| 40 | 77710085044 | WHEEL SPINDLE CPL. '13 | 1 |
| 41 | 77710084000 | CHAIN TENSIONER R/S | 1 |
| 42 | 50304040100 | SCREW M10X1,25X50 WS=10 | 2 |
| 43 | 58414030000 | HH COLLAR NUT M10X1,25 WS=13 | 2 |
| 44 | 61010086000 | COLLAR NUT M25X1,5 WS=32 05 | 1 |
| 97 | 77710015010 | REAR WHEEL REP. KIT | x |

137781010

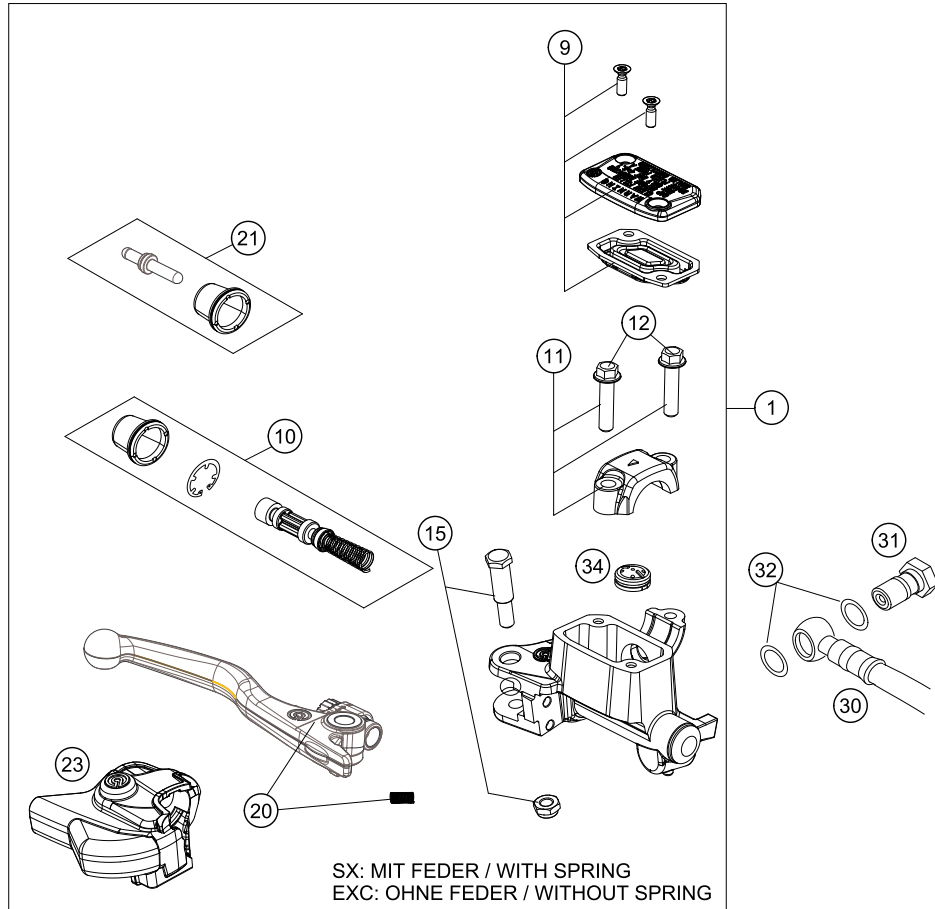
C147781010

* NEW PART X ON DEMAND

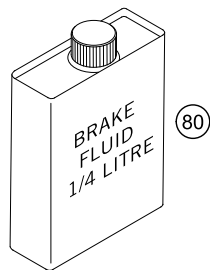


| POS | PARTNUMBER | PARTNAME | PIECE |
|-----|-------------|-------------------------------|-------|
| 98 | 00050002005 | DRIVETRAIN KIT 125 SX 13T/50T | X |
| 99 | 00050000963 | SPOKE KIT REAR '19' | X |

* NEW PART X ON DEMAND



| POS | PARTNUMBER | PARTNAME | PIECE |
|-----|-------------|--------------------------------|-------|
| 1* | 77713001044 | HAND BREAK CYLIND. CPL. X 2014 | 1 |
| 9* | 77713003000 | HAND BRAKE CYL. COVER | 1 |
| 10* | 77713008000 | REPAIR KIT PISTON SX 2014 | 1 |
| 11* | 54802005100 | CLAMP CPL. 06 | 1 |
| 12 | 0025060256 | HH COLLAR SCREW M6X25 TX30 | 2 |
| 15* | 77713006000 | LEVER SCREW | 1 |
| 20* | 77713002000 | HAND BRAKE LEVER +SPRING SX 14 | 1 |
| 21* | 77713007000 | PUSH ROD CPL. SX 2014 | 1 |
| 23* | 77713004000 | PROTECTION CAP HAND BRAKE CYL. | 1 |
| 30 | 59013010000 | BRAKEHO. FRONT 1235MM 2000 | 1 |
| 31 | 54813020100 | HOLLOW SCREW BLACK M10X1X19 | 1 |
| 32 | 0603100141 | COPPER GASKET DIN7603-10X14X1 | 2 |
| 34 | 54802051000 | VALVE | 1 |
| 80 | 00062030000 | BRAKE FLUID DOT5.1 0,25L | 1 |

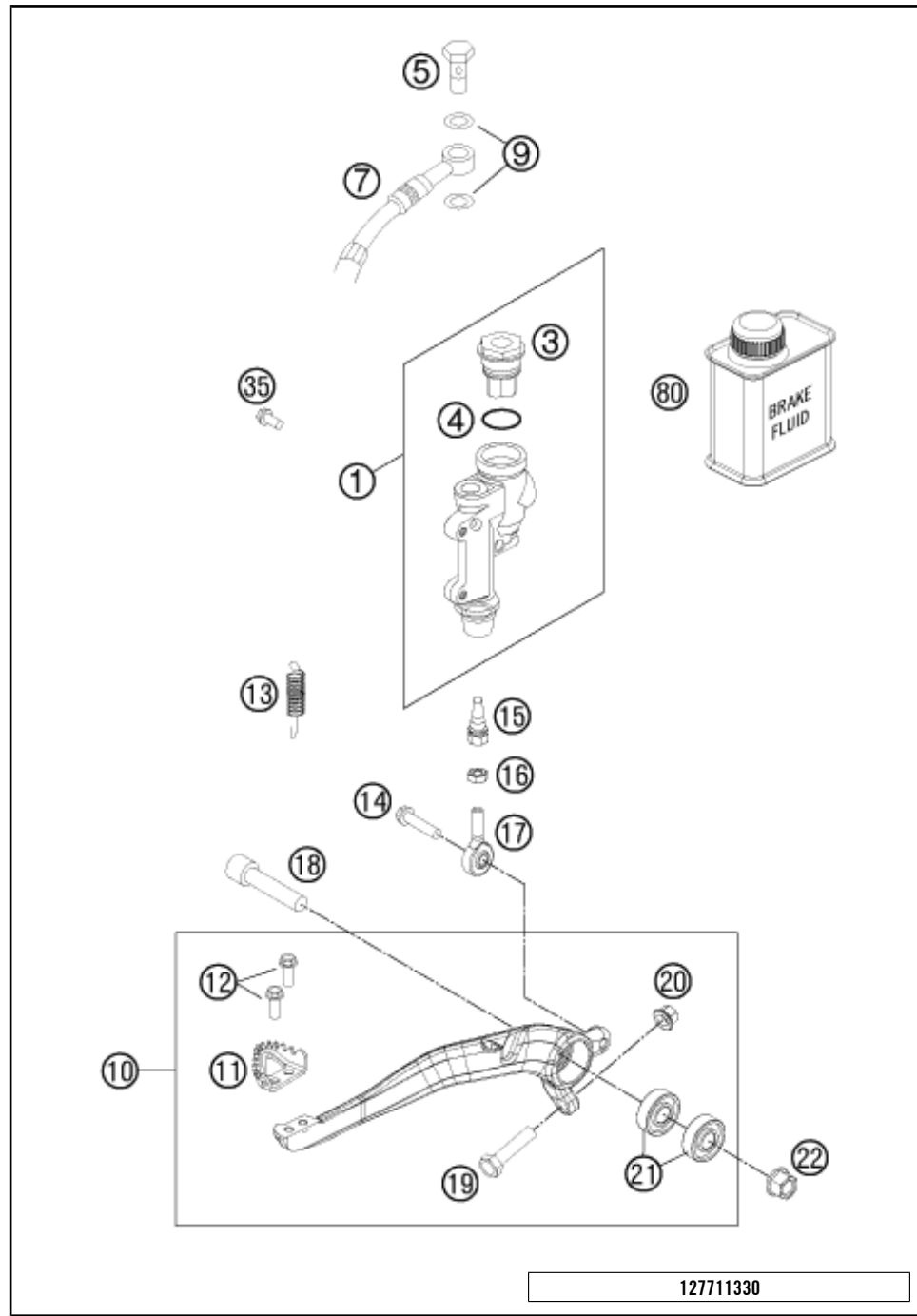


147781310

C147781310

* NEW PART

X ON DEMAND

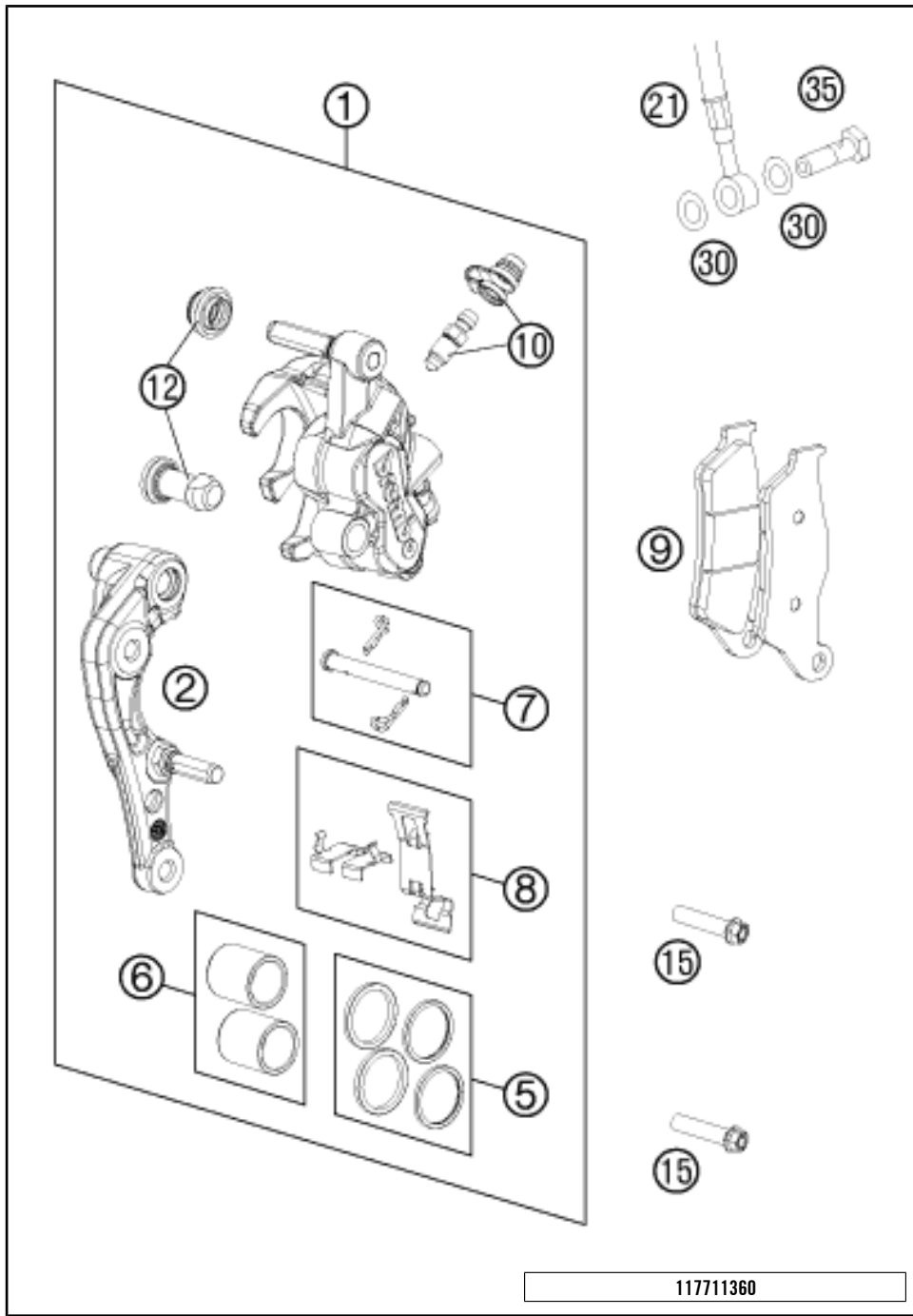


| POS | PARTNUMBER | PARTNAME | PIECE |
|-----|-------------|-------------------------------|-------|
| 1 | 77013060044 | REAR BRAKE CYLINDER CPL.SX 09 | 1 |
| 3 | 54813062100 | REAR BRAKE CYL. COVER CPL. 04 | 1 |
| 4 | 54813063000 | FOOT-BRAKE CYL. GASKET SX 03 | 1 |
| 5 | 54813020100 | HOLLOW SCREW BLACK M10X1X19 | 1 |
| 7 | 77213070000 | BRAKE HOSE REAR XXXMM 11 | 1 |
| 9 | 0603100141 | COPPER GASKET DIN7603-10X14X1 | 2 |
| 10 | 77213050044 | FOOT BRAKE LEVER CPL. | 1 |
| 11 | 54813051000 | STEP PLATE FOR BRAKE LEVER | 1 |
| 12 | 0025050126 | HH COLLAR SCREW M5X12 TX30 | 2 |
| 13 | 54603062000 | RETURN SPRING FOR BRAKE LEVER | 1 |
| 14 | 0025060206S | HH COLLAR SCREW M6X20 TX30 | 1 |
| 15 | 54813056000 | PUSH ROD L=28MM 03 | 1 |
| 16 | 0985060003 | SELF LOCK. NUT DIN0985-M 6 | 1 |
| 17 | 54813055000 | SWIVEL HEAD KA6 03 | 1 |
| 18 | 0032100406S | AH-COLLAR SCREW M10X40 ISA45 | 1 |
| 19 | 59001037000 | SPECIAL SCREW M8X26 WS=10 | 1 |
| 20 | 46030045000 | COLLAR NUT M8 WS=10 | 1 |
| 21 | 0625060002 | BALL BEARING SKF 6000-2RS1 | 2 |
| 22 | 54630044000 | COLLAR NUT M10 WS=13 | 1 |
| 35 | 0025060126 | HH COLLAR SCREW M6X12 TX30 | 2 |
| 80 | 00062030000 | BRAKE FLUID DOT5.1 0,25L | 1 |

127711330

C137781330

* NEW PART X ON DEMAND



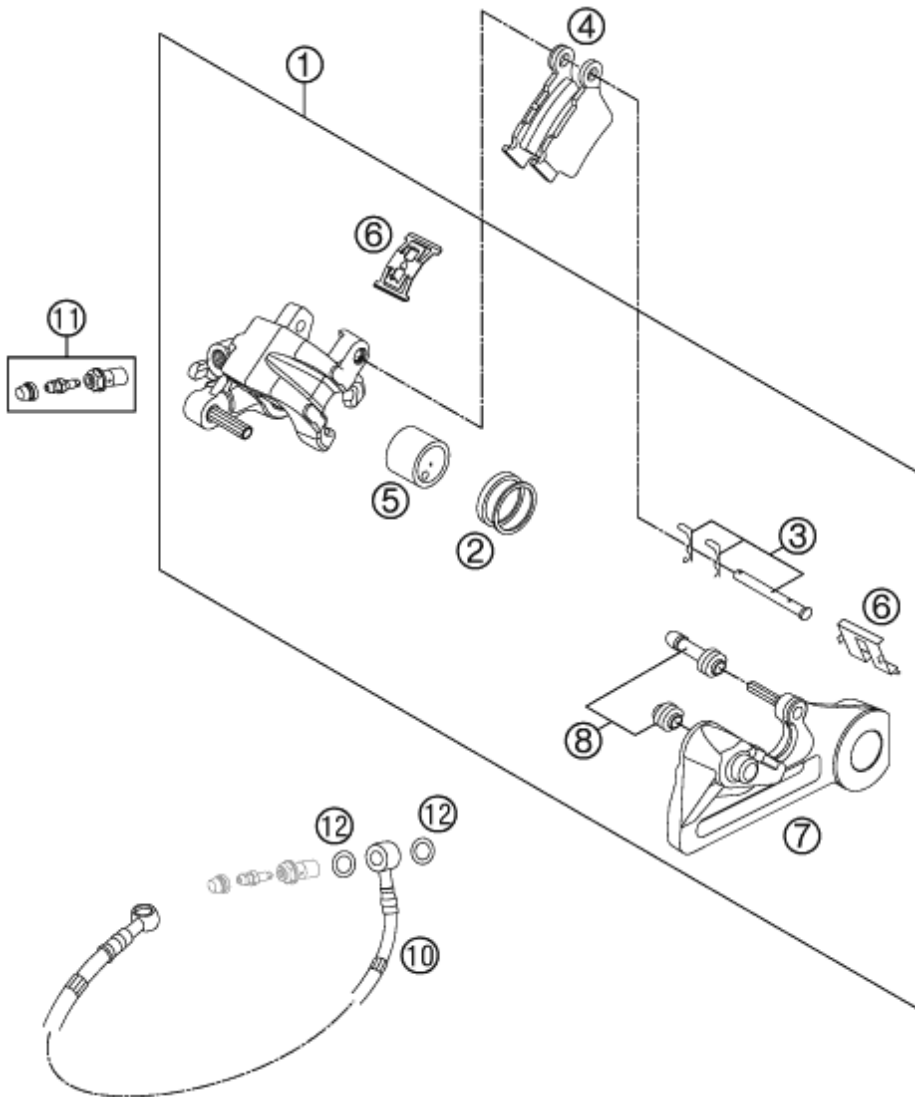
| POS | PARTNUMBER | PARTNAME | PIECE |
|-----|---------------|--------------------------------|-------|
| 1 | 7701301500101 | CALIPER NAT. WITHOUT PADS | 1 |
| 2 | 77013014000 | BRAKE CALIPER SUPPORT FRONT 09 | 1 |
| 5 | 77013021000 | REP. KIT SEALS 24MM | 1 |
| 6 | 77013019000 | REP. KIT PISTON 24MM | 1 |
| 7 | 77013017000 | BOLT CPL. 09 | 1 |
| 8 | 77013018000 | RETAINING PLATE SET BREMBO | 1 |
| 9* | 77713030000 | BRAKE PADS FRONT | 1 |
| 10 | 61013020100 | BLEEDER SCREW WITH CAP | 1 |
| 12 | 54613218000 | CUP SET SHORT | 1 |
| 15 | 0025080356S | HH COLLAR SCREW M8X35 TX40 | 2 |
| 21 | 59013010000 | BRAKEHO. FRONT 1235MM 2000 | 1 |
| 30 | 0603100141 | COPPER GASKET DIN7603-10X14X1 | 2 |
| 35 | 50213025000 | HOLLOW SCREW M10X1X19 | 1 |

117711360

C147781360

* NEW PART

X ON DEMAND



| POS | PARTNUMBER | PARTNAME | PIECE |
|-----|-------------|--------------------------------|-------|
| 1 | 77713080001 | BRAKE CAL. REAR - WITHOUT PADS | 1 |
| 2 | 50313081200 | REPAIR KIT SEALING RINGS 26MM | 1 |
| 3 | 54813082000 | BOLT SET FOR BRAKE CALIPER 03 | 1 |
| 4 | 54813090300 | BRAKE PAD SET REAR TOYO | 1 |
| 5 | 77713083000 | BRAKE PISTON 26MM 2013 | 1 |
| 6 | 54813018000 | RETAINING SPRING SET 2003 | 1 |
| 7 | 77713075000 | BRAKE CALIPER BRACKET REAR | 1 |
| 8 | 54613218000 | CUP SET SHORT | 1 |
| 10 | 77213070000 | BRAKE HOSE REAR XXXMM 11 | 1 |
| 11 | 62513020000 | BLEEDER SCREW CPL. 05 | 1 |
| 12 | 0603100141 | COPPER GASKET DIN7603-10X14X1 | 2 |

117711390

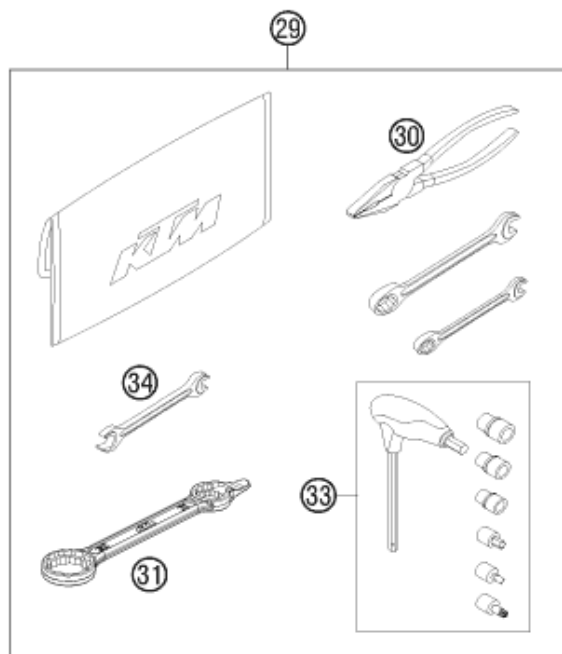
C147781390

* NEW PART

X ON DEMAND

①
OHNE ABBILDUNG
WITHOUT ILLUSTRATION

①
TECHNISCHE DOKUMENTATION
TECHNICAL DOCUMENTATION
DOCUMENTACION TECNICA
DOCUMENTATION TECHNIQUE
NOTE TECNICHE



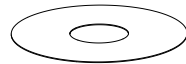
| POS | PARTNUMBER | PARTNAME | PIECE |
|-----|--------------|-------------------------------|-------|
| 0 | 312313 | KTM BALLPOINT PEN ORANGE | 1 |
| 0 | 3210039 | * CUSTOMER WELCOME LETTER | 1 |
| 0 | 312305 | DOCUMENTS BAG 2006 | 1 |
| 0 | 78003040033 | FOOTREST L/S + R/S CPL. 09 | 1 |
| 0 | 77203094000 | PLASTIC FRAME PROTECTION SET | 1 |
| 0 | 00062030019 | AIR FILTER OIL 100ML | 1 |
| 0 | 77702002000 | BAR PAD RENTHAL | 1 |
| 0 | 51535033050 | COVER FOR RADIATOR FULL | 1 |
| 0 | 51535033051 | COVER FOR RADIATOR HALF | 1 |
| 0 | 00063004202 | PRINT LABEL 60X51 MM | 1 |
| 0 | 77703020000 | PLUG-IN STAND | 1 |
| 0 | 3212457DE/GB | PP OFFROAD FOLDER 2013 | 1 |
| 0 | 3212455GB | POWER WEAR FOLDER 2013 | 1 |
| 1 | 3213030EN | O.M. 125-300 SX/XC 14 | 1 |
| 29 | 54829099100 | TOOL KIT 2012 | 1 |
| 30 | 53012028200 | GRIP ORANGE B&F | 1 |
| 31 | 50329080100 | WRENCH SW=17/21/27/32 B&F | 1 |
| 33 | 60029070300 | T-WRENCH WS=6/8/10/TX45/SK4X1 | 1 |
| 34 | 50329072000 | SPOKE-SPANNER WS 7/10 | 1 |

125482000

C145032000

* NEW PART

X ON DEMAND



3H, DELTA, T

- ⑤ Ø 5 mm
- ⑥ Ø 6 mm
- ⑧ Ø 8 mm
- ⑩ Ø 10 mm
- ⑫ Ø 12 mm
- ⑭ Ø 14-14,5 mm
- ⑯ Ø 16 mm
- ⑳ Ø 20 mm
- ㉑ Ø 21 mm
- ㉒ Ø 22 mm
- ㉓ Ø 23 mm
- ㉔ Ø 24,5 mm
- ㉘ Ø 28,5 mm
- ㉚ Ø 32 mm
- ㉜ Ø 52 mm

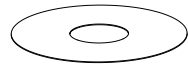
| POS | PARTNUMBER | PARTNAME | PIECE |
|-----|------------|---------------------|-------|
| 5 | 44906890 | WASHER 5X15X2 | X |
| 6 | 40540400 | SHIM 6X12X0,1 | X |
| 6 | 40540401 | SHIM 6X14X0,1 | X |
| 6 | 40540402 | SHIM 6X16X0,1 | X |
| 6 | 40540403 | SHIM 6X18X0,1 | X |
| 6 | 40540404 | SHIM 6X12X0,15 | X |
| 6 | 40540405 | SHIM 6X14X0,15 | X |
| 6 | 40540406 | SHIM 6X16X0,15 | X |
| 6 | 40540407 | SHIM 6X18X0,15 | X |
| 6 | 40540408 | SHIM 6X12X0,2 | X |
| 6 | 40540409 | SHIM 6X14X0,2 | X |
| 6 | 40540410 | SHIM 6X16X0,2 | X |
| 6 | 40540411 | SHIM 6X18X0,2 | X |
| 6 | 48600095 | * SHIM 6X20X0,20 | X |
| 6 | 40540412 | SHIM 6X12X0,25 | X |
| 6 | 40540413 | SHIM 6X14X0,25 | X |
| 6 | 40540414 | SHIM 6X16X0,25 | X |
| 6 | 40540415 | SHIM 6X18X0,25 | X |
| 6 | 40540417 | SHIM 6X8,5X0,10 | X |
| 6 | 40540418 | SHIM 6X9X0,10 | X |
| 6 | 40540419 | SHIM 6X9,5X0,10 | X |
| 6 | 40540423 | SHIM 6X9,5X0,15 | X |
| 6 | 40540425 | SHIM 6X8,5X0,20 | X |
| 6 | 40540426 | SHIM 6X9X0,20 | X |
| 6 | 40540427 | SHIM 6X9,5X0,20 | X |
| 6 | 40540447 | SHIM 6X10X0,3 | X |
| 6 | 40540449 | SHIM 6X9X0,3 | X |
| 6 | 40540450 | SHIM 6X9,5X0,3 | X |
| 6 | 40540494 | SHIM 6X18X0,4 | X |
| 6 | 40540774 | SHIM 6X18X0,1 DELTA | X |
| 6 | 40541383 | SHIM 6X11X0,1 | X |
| 6 | 40541391 | SHIM 6X11X0,3 | X |
| 6 | 40541402 | SHIM 6X11X0,2 | X |
| 6 | 40541403 | SHIM 6X10X0,20 | X |
| 6 | 40541404 | SHIM 6X10X0,1 | X |
| 6 | 40541405 | SHIM 6X10X0,15 | X |
| 6 | 40541406 | SHIM 6X11X0,15 | X |
| 6 | 40541408 | SHIM 6X8,0X0,30 | X |

080000190

C130009090

* NEW PART

X ON DEMAND



3H, DELTA, T

- ⑤ Ø 5 mm
- ⑥ Ø 6 mm
- ⑧ Ø 8 mm
- ⑩ Ø 10 mm
- ⑫ Ø 12 mm
- ⑭ Ø 14-14,5 mm
- ⑯ Ø 16 mm
- ⑳ Ø 20 mm
- ㉑ Ø 21 mm
- ㉒ Ø 22 mm
- ㉓ Ø 23 mm
- ㉔ Ø 24,5 mm
- ㉘ Ø 28,5 mm
- ㉚ Ø 32 mm
- ㉜ Ø 52 mm

| POS | PARTNUMBER | PARTNAME | PIECE |
|-----|------------|----------------------|-------|
| 6 | 40541414 | SHIM 6X8,0X0,10 | X |
| 6 | 40541416 | SHIM 6X8X0,3 | X |
| 6 | 40541417 | SHIM 6X11X0,25 | X |
| 6 | 48600102 | * SHIM 6X24X0,25 | X |
| 6 | 48600063 | SHIM 6X24X0,1 | X |
| 6 | 48600064 | SHIM 6X22X0,1 | X |
| 6 | 48600065 | SHIM 6X20X0,1 | X |
| 6 | 48600069 | SHIM 6X20X0,15 | X |
| 6 | 48600100 | SHIM 6X24X0,15 | X |
| 6 | 48600116 | SHIM 6X24X0,1 DELTA | X |
| 6 | 48600139 | SHIM 6X22X0,1 DELTA | X |
| 6 | 48600217 | BACKPLATE 6X10X0,25 | X |
| 6 | 48600325 | SHIM 6X13X0,1 | X |
| 6 | 48600327 | SHIM 6X15X0,1 | X |
| 6 | 48600329 | SHIM 6X17X0,1 | X |
| 6 | 48600331 | SHIM 6X19X0,1 | X |
| 6 | 48600096 | * SHIM 6X20X0,25 | X |
| 6 | 48600097 | SHIM 6X22X0,15 | X |
| 6 | 48600099 | * SHIM 6X22X0,25 | X |
| 6 | 40540448 | BACKPLATE 6X8,5X0,30 | X |
| 6 | 48600479 | SHIM 6X20X0,1 T/3H | X |
| 6 | 48600332 | SHIM 6X21X0,1 | X |
| 6 | 48600333 | SHIM 6X23X0,1 | X |
| 6 | 40541393 | * SHIM 6X12X0,3 | X |
| 6 | 48600330 | SHIM 6X17X0,15 | X |
| 6 | 48600988 | SHIM 6X28X0,10 | X |
| 6 | 48600989 | SHIM 6X26X0,10 | X |
| 6 | 48601091 | SHIM 6X28X0,15 | X |
| 6 | 48601093 | SHIM 6X26X0,15 | X |
| 8 | 40540477 | SHIM 8X18X0,4 | X |
| 8 | 43570120 | SHIM 8X18X0,10 | X |
| 8 | 44916098 | WASHER 8,4X16X0,8 | X |
| 8 | 44916130 | WASHER 8,2X15X1 | X |
| 8 | 44916180 | WASHER 8,2X11X1 | X |
| 8 | 48600214 | SHIM 8X16X0,1 | X |
| 8 | 48600346 | SHIM 8X11X0,2 | X |
| 8 | 48600215 | CHECK VALVE 8X20X0,1 | X |
| 8 | 48600061 | CHECK VALVE 8X24X0,4 | X |

080000190

C130009090

* NEW PART

X ON DEMAND



- ⑤ Ø 5 mm
- ⑥ Ø 6 mm
- ⑧ Ø 8 mm
- ⑩ Ø 10 mm
- ⑫ Ø 12 mm
- ⑭ Ø 14-14,5 mm
- ⑯ Ø 16 mm
- ⑳ Ø 20 mm
- ㉑ Ø 21 mm
- ㉒ Ø 22 mm
- ㉓ Ø 23 mm
- ㉔ Ø 24,5 mm
- ㉘ Ø 28,5 mm
- ㉚ Ø 32 mm
- ㉜ Ø 52 mm



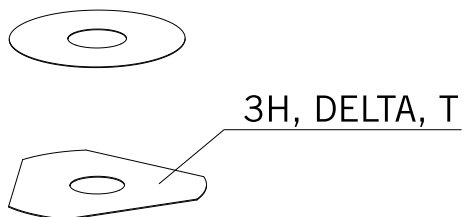
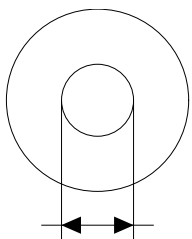
| POS | PARTNUMBER | PARTNAME | PIECE |
|-----|------------|------------------------|-------|
| 8 | 4860062 | CHECK VALVE 8X24X0,1 | X |
| 8 | 48600216 | CHECK VALVE 8X22X0,1 | X |
| 8 | 48600480 | SHIM 8X10X0,20 | X |
| 8 | 48600555 | SHIM 8X16X0,20 | X |
| 8 | 48600213 | SHIM 8X14X0,10 | X |
| 8 | 48600357 | CHECK VALVE 8X11X0,1 | X |
| 8 | 48600351 | CHECK VALVE 8X12X0,1 | X |
| 8 | 48600607 | SHUTTLE VALVE 8X20X0,4 | X |
| 8 | 48601095 | SHIM 8X17X0,10 | X |
| 10 | 36120284 | SHIM 10X16X0,10 | X |
| 10 | 36120298 | SHIM 10X16X0,2 | X |
| 10 | 36120312 | SHIM 10X16X0,30 | X |
| 10 | 36120314 | SHIM 10X18X0,30 | X |
| 10 | 36120325 | SHIM 10X19X0,15 | X |
| 10 | 36120327 | SHIM 10X23X0,15 | X |
| 10 | 36120328 | SHIM 10X25X0,15 | X |
| 10 | 36120329 | SHIM 10X27X0,15 | X |
| 10 | 36120330 | SHIM 10X29X0,15 | X |
| 10 | 36120331 | SHIM 10X31X0,15 | X |
| 10 | 36120332 | SHIM 10X33X0,15 | X |
| 10 | 36120334 | SHIM 10X21X0,20 | X |
| 10 | 36120335 | SHIM 10X23X0,20 | X |
| 10 | 36120336 | SHIM 10X25X0,20 | X |
| 10 | 36120337 | SHIM 10X27X0,20 | X |
| 10 | 36120338 | SHIM 10X29X0,20 | X |
| 10 | 36120339 | SHIM 10X31X0,20 | X |
| 10 | 36120340 | SHIM 10X33X0,20 | X |
| 10 | 36120342 | SHIM 10X21X0,25 | X |
| 10 | 36120343 | SHIM 10X23X0,25 | X |
| 10 | 36120344 | SHIM 10X25X0,25 | X |
| 10 | 36120345 | SHIM 10X27X0,25 | X |
| 10 | 36120349 | SHIM 10X19X0,30 | X |
| 10 | 36120350 | SHIM 10X21X0,30 | X |
| 10 | 40140275 | WASHER 10X35X0,15 | X |
| 10 | 36120346 | * SHIM 10X29X0,25 | X |
| 10 | 50180010 | * SHIM 16X24X0,10 | X |
| 10 | 36120604 | SHIM D10XD22X2,5 | X |
| 12 | 46810490 | SHIM 12X24X0,20 | X |

080000190

C130009090

* NEW PART

X ON DEMAND



- ⑤ Ø 5 mm
- ⑥ Ø 6 mm
- ⑧ Ø 8 mm
- ⑩ Ø 10 mm
- ⑫ Ø 12 mm
- ⑭ Ø 14-14,5 mm
- ⑯ Ø 16 mm
- ⑳ Ø 20 mm
- ㉑ Ø 21 mm
- ㉒ Ø 22 mm
- ㉓ Ø 23 mm
- ㉔ Ø 24,5 mm
- ㉘ Ø 28,5 mm
- ㉚ Ø 32 mm
- ㉜ Ø 52 mm

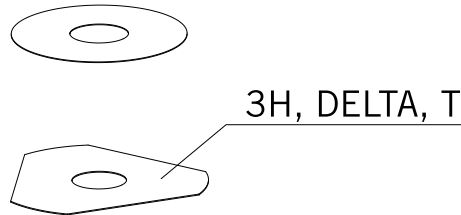
| POS | PARTNUMBER | PARTNAME | PIECE |
|-----|------------|----------------------|-------|
| 12 | 46810491 | SHIM 12X26X0,20 | X |
| 12 | 46810492 | SHIM 12X28X0,20 | X |
| 12 | 46810493 | SHIM 12X30X0,20 | X |
| 12 | 46810494 | SHIM 12X32X0,20 | X |
| 12 | 46810495 | SHIM 12X34X0,20 | X |
| 12 | 46810496 | SHIM 12X36X0,20 | X |
| 12 | 46810497 | SHIM 12X38X0,20 | X |
| 12 | 46810498 | SHIM 12X40X0,20 | X |
| 12 | 46810499 | SHIM 12X24X0,25 | X |
| 12 | 46810500 | SHIM 12X26X0,25 | X |
| 12 | 46810501 | SHIM 12X28X0,25 | X |
| 12 | 46810502 | SHIM 12X30X0,25 | X |
| 12 | 46810504 | SHIM 12X34X0,25 | X |
| 12 | 46810505 | SHIM 12X36X0,25 | X |
| 12 | 46810507 | SHIM 12X40X0,25 | X |
| 12 | 46810508 | SHIM 12X24X0,30 | X |
| 12 | 46810509 | SHIM 12X26X0,30 | X |
| 12 | 46810510 | SHIM 12X28X0,30 | X |
| 12 | 46810512 | SHIM 12X32X0,30 | X |
| 12 | 46810513 | SHIM 12X34X0,30 | X |
| 12 | 46810518 | SHIM 12X26X0,15 | X |
| 12 | 46810519 | SHIM 12X28X0,15 | X |
| 12 | 46810520 | SHIM 12X30X0,15 | X |
| 12 | 46810521 | SHIM 12X32X0,15 | X |
| 12 | 46810522 | SHIM 12X34X0,15 | X |
| 12 | 46810523 | SHIM 12X36X0,15 | X |
| 12 | 46810524 | SHIM 12X38X0,15 | X |
| 12 | 46810525 | SHIM 12X40X0,15 | X |
| 12 | 46810604 | SHIM 12X20X0,10 | X |
| 12 | 46810606 | SHIM 12X22X0,10 | X |
| 12 | 46810607 | SHIM 12X23X0,10 | X |
| 12 | 46810608 | SHIM 12X24X0,10 | X |
| 12 | 46810610 | SHIM 12X27X0,15 | X |
| 12 | 46810611 | SHIM 12X18X0,15 | X |
| 12 | 46810612 | SHIM 12X19X0,15 | X |
| 12 | 46810615 | SHIM 12X22X0,15 | X |
| 12 | 46810636 | BACKPLATE 12X16X0,30 | X |
| 12 | 46810637 | BACKPLATE 12X17X0,30 | X |

080000190

C130009090

* NEW PART

X ON DEMAND



- ⑤ Ø 5 mm
- ⑥ Ø 6 mm
- ⑧ Ø 8 mm
- ⑩ Ø 10 mm
- ⑫ Ø 12 mm
- ⑭ Ø 14-14,5 mm
- ⑯ Ø 16 mm
- ⑳ Ø 20 mm
- ㉑ Ø 21 mm
- ㉒ Ø 22 mm
- ㉓ Ø 23 mm
- ㉔ Ø 24,5 mm
- ㉘ Ø 28,5 mm
- ㉚ Ø 32 mm
- ㉜ Ø 52 mm

| POS | PARTNUMBER | PARTNAME | PIECE |
|-----|------------|----------------------|-------|
| 12 | 46810638 | BACKPLATE 12X18X0,30 | X |
| 12 | 46810639 | SHIM 12X19X0,30 | X |
| 12 | 46810641 | BACKPLATE 12X21X0,30 | X |
| 12 | 46811582 | BACKPLATE 12X30X0,10 | X |
| 12 | 46810631 | SHIM 12X20X0,25 | X |
| 12 | 46810633 | SHIM 12X22X0,25 | X |
| 12 | 46811580 | SHIM 12X32X0,10 | X |
| 12 | 46810503 | SHIM 12X32X0,25 | X |
| 12 | 46810517 | * SHIM 12X24X0,15 | X |
| 12 | 46810640 | SHIM 12X20X0,30 | X |
| 14 | 46811046 | SHIM 14,5X35,4X1,25 | X |
| 16 | 50180023 | * SHIM 16X23X0,20 | X |
| 16 | 50180030 | SHIM | X |
| 16 | 50180006 | BACKPLATE 16X20X0,10 | X |
| 16 | 50180007 | SHIM 16X21X0,10 | X |
| 16 | 50180028 | SHIM 16X21X0,25 | X |
| 16 | 50180210 | WASHER 16X21X1 | X |
| 16 | 50180008 | SHIM 16X22X0,10 | X |
| 16 | 50180022 | SHIM 16X22X0,20 | X |
| 16 | 50180037 | SHIM 16X23X0,30 | X |
| 16 | 50180038 | SHIM 16X24X0,30 | X |
| 16 | 50180032 | SHIM 15X25X0,25 | X |
| 16 | 50180039 | SHIM 16X25X0,30 | X |
| 16 | 50180012 | SHIM 16X26X0,10 | X |
| 16 | 50180019 | SHIM 16X26X0,15 | X |
| 16 | 50180026 | SHIM 16X26X0,20 | X |
| 16 | 50180040 | SHIM 16X26X0,30 | X |
| 16 | 50180041 | SHIM 16X28X0,10 | X |
| 16 | 50180045 | SHIM 16X28X0,15 | X |
| 16 | 50180054 | SHIM 16X28X0,20 | X |
| 16 | 50180063 | SHIM 16X28X0,25 | X |
| 16 | 50180072 | SHIM 16X28X0,30 | X |
| 16 | 50180046 | SHIM 16X30X0,15 | X |
| 16 | 50180055 | SHIM 16X30X0,20 | X |
| 16 | 50180064 | SHIM 16X30X0,25 | X |
| 16 | 50180073 | SHIM 16X30X0,30 | X |
| 16 | 50180047 | SHIM 16X32X0,15 | X |
| 16 | 50180056 | SHIM 16X32X0,20 | X |

080000190

C130009090

* NEW PART

X ON DEMAND



- ⑤ Ø 5 mm
- ⑥ Ø 6 mm
- ⑧ Ø 8 mm
- ⑩ Ø 10 mm
- ⑫ Ø 12 mm
- ⑭ Ø 14-14,5 mm
- ⑯ Ø 16 mm
- ⑳ Ø 20 mm
- ㉑ Ø 21 mm
- ㉒ Ø 22 mm
- ㉓ Ø 23 mm
- ㉔ Ø 24,5 mm
- ㉘ Ø 28,5 mm
- ㉚ Ø 32 mm
- ㉜ Ø 52 mm

| POS | PARTNUMBER | PARTNAME | PIECE |
|-----|------------|-----------------------------|-------|
| 16 | 50180065 | SHIM 16X32X0,25 | X |
| 16 | 50180074 | SHIM 16X32X0,30 | X |
| 16 | 50180044 | SHIM 16X34X0,10 | X |
| 16 | 50180048 | SHIM 16X34X0,15 | X |
| 16 | 50180057 | SHIM 16X34X0,20 | X |
| 16 | 50180066 | SHIM 16X34X0,25 | X |
| 16 | 50180075 | SHIM 16X34X0,30 | X |
| 16 | 50180049 | SHIM 16X36X0,15 | X |
| 16 | 50180058 | SHIM 16X36X0,20 | X |
| 16 | 50180067 | SHIM 16X36X0,25 | X |
| 16 | 50180076 | SHIM 16X36X0,30 | X |
| 16 | 50180050 | SHIM 16X38X0,15 | X |
| 16 | 50180059 | SHIM 16X38X0,20 | X |
| 16 | 50180068 | SHIM 16X38X0,25 | X |
| 16 | 50180077 | SHIM 16X38X0,30 | X |
| 16 | 50180051 | SHIM 16X40X0,15 | X |
| 16 | 50180060 | SHIM 16X40X0,20 | X |
| 16 | 50180069 | SHIM 16X40X0,25 | X |
| 16 | 50180078 | SHIM 16X40X0,30 | X |
| 16 | 50180052 | SHIM 16X42X0,15 | X |
| 16 | 50180061 | SHIM 16X42X0,20 | X |
| 16 | 50180070 | SHIM 16X42X0,25 | X |
| 16 | 50180079 | SHIM 16X42X0,30 | X |
| 16 | 50180053 | SHIM 16X44X0,15 | X |
| 16 | 50180062 | SHIM 16X44X0,20 | X |
| 16 | 50180071 | SHIM 16X44X0,25 | X |
| 16 | 50180080 | SHIM 16X44X0,30 | X |
| 16 | 50180177 | WASHER 16X8,2X0,6 | X |
| 16 | 50180033 | SHIM 16X26X0,25 | X |
| 16 | 50180034 | BACKPLATE 16X20X0,30 | X |
| 16 | 50180035 | BACKPLATE 16X21X0,30 | X |
| 16 | 50180036 | BACKPLATE 16X22X0,30 | X |
| 16 | 50180043 | SHIM | X |
| 16 | 50180024 | * SHIM 16X24X0,20 | X |
| 16 | 50180027 | * SHIM 16X20X0,25 | X |
| 16 | 50180031 | SHIM | X |
| 20 | 48600212 | PRESSURE-RING 20X16,25X0,20 | X |
| 20 | 50180666 | SHIM 20X24X0,30 | X |

080000190

C130009090

* NEW PART

X ON DEMAND



- ⑤ Ø 5 mm
- ⑥ Ø 6 mm
- ⑧ Ø 8 mm
- ⑩ Ø 10 mm
- ⑫ Ø 12 mm
- ⑭ Ø 14-14,5 mm
- ⑯ Ø 16 mm
- ⑳ Ø 20 mm
- ㉑ Ø 21 mm
- ㉒ Ø 22 mm
- ㉓ Ø 23 mm
- ㉔ Ø 24,5 mm
- ㉘ Ø 28,5 mm
- ㉚ Ø 32 mm
- ㉜ Ø 52 mm



| POS | PARTNUMBER | PARTNAME | PIECE |
|-----|------------|--------------------------|-------|
| 20 | 50180654 | SHIM 20X36X0,20 | X |
| 20 | 50180655 | SHIM 20X38X0,20 | X |
| 20 | 50180656 | SHIM 20X40X0,20 | X |
| 20 | 50180665 | SHIM 20X40X0,25 | X |
| 20 | 50180662 | SHIM 20X34X0,25 | X |
| 20 | 50180657 | SHIM 20X24X0,25 | X |
| 20 | 50180653 | SHIM 20X34X0,20 | X |
| 20 | 50180634 | RING 20X22,9X1 | X |
| 20 | 50180650 | SHIM 20,2X28X0,20 | X |
| 20 | 50180663 | SHIM 20X36X0,25 | X |
| 20 | 50180664 | SHIM 20X38X0,25 | X |
| 20 | 50180659 | SHIM 20,2X28X0,25 | X |
| 21 | 50180209 | WASHER 21X36X0,25 | X |
| 22 | 50180330 | * PRESS. RING 22X18X0,30 | X |
| 23 | 50180635 | SHUTTLE VALVE 23X38X0,25 | X |
| 23 | 50180578 | SHIM D23XD16X2 | X |
| 24 | 40541061 | WASHER 24,5X34X2 | X |
| 28 | 36120469 | SHIM 28,5X14X2 | X |
| 28 | 36120471 | SHIM 28,5X14X5 | X |
| 32 | 48600460 | WASHER 32X42X2,5 | X |
| 32 | 50600065 | SHIM 32X45X2 | X |
| 32 | 46811637 | PRESSURE RING 36X32,25 | X |
| 52 | 50600002 | SHIM 52X59X2,2 | X |

080000190

C130009090

* NEW PART

X ON DEMAND

WWW.KTM.COM



KTM-Sportmotorcycle AG
5230 Mattighofen, Austria
www.ktm.com



KTM_POWERPARTS

KTM_POWERWEAR

KTM_ORIGINAL SPARE PARTS



3CFF6101NOEN

Art. Nr.: 3CFF6101NOEN 11. Apr 2013