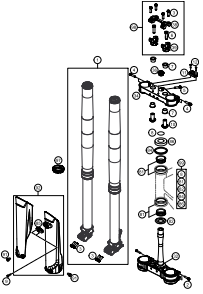
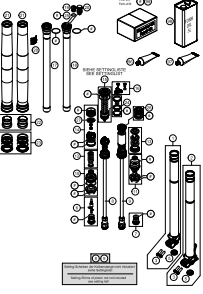
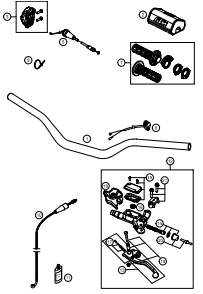
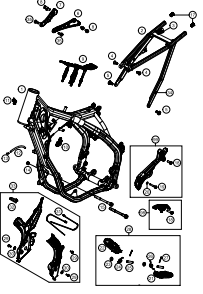
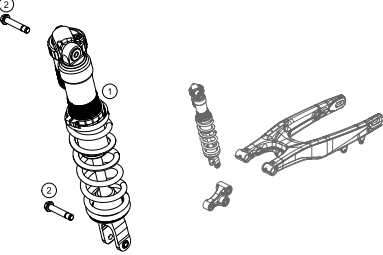
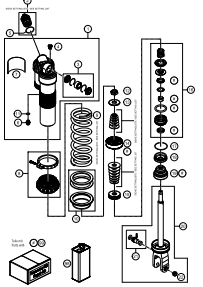
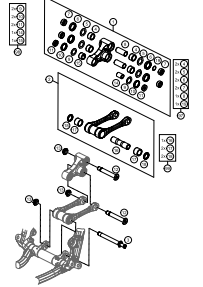
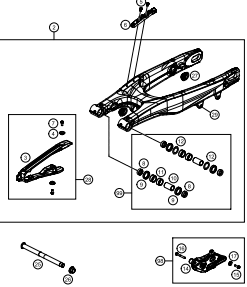
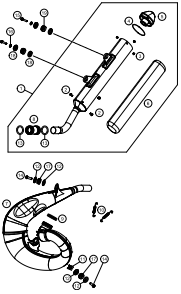
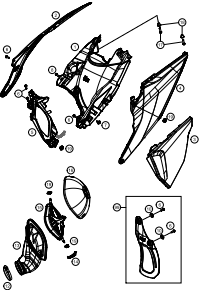
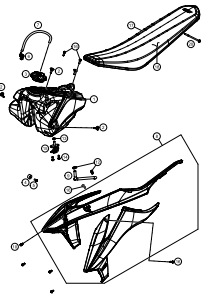
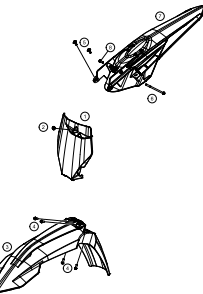


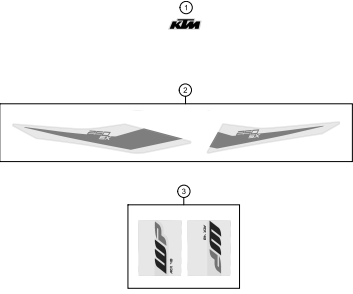
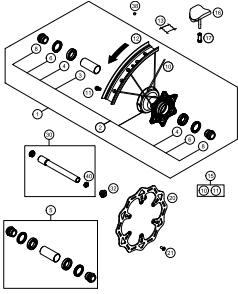
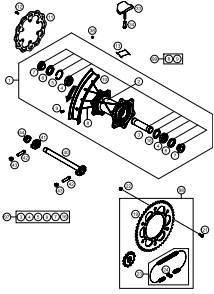
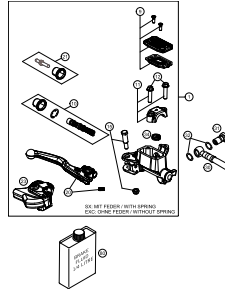
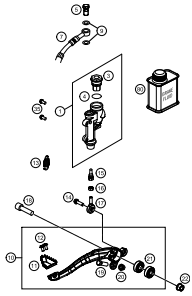
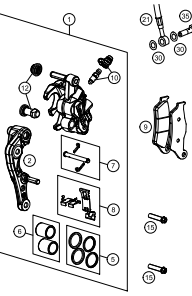
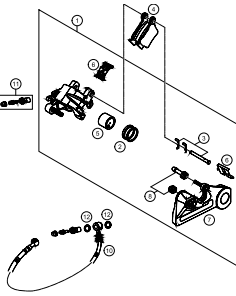
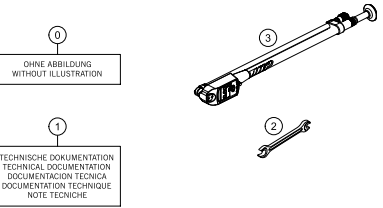
# 250 SX 2019 EU 2019

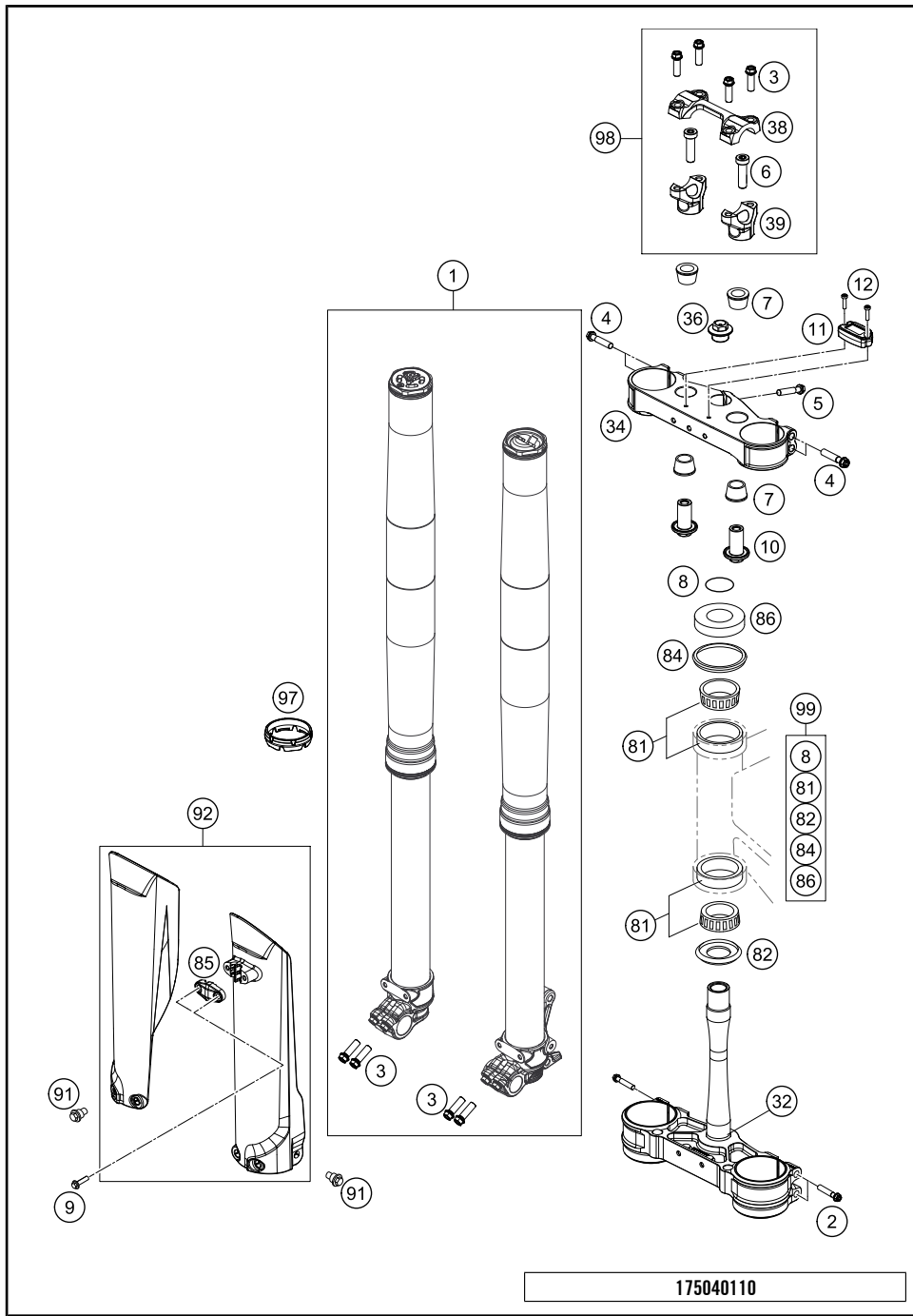
ART.-NR.: F6301S0EN





<p><b>FRONT FORK, TRIPLE CLAMP</b></p>  <p><b>3</b></p>	<p><b>FRONT FORK DISASSEMBLED</b></p>  <p><b>4</b></p>	<p><b>HANDLEBAR, CONTROLS</b></p>  <p><b>5</b></p>	<p><b>FRAME</b></p>  <p><b>6</b></p>
<p><b>SHOCK ABSORBER</b></p>  <p><b>7</b></p>	<p><b>SHOCK ABSORBER DISASSEMBLED</b></p>  <p><b>8</b></p>	<p><b>PRO LEVER LINKING</b></p>  <p><b>9</b></p>	<p><b>SWING ARM</b></p>  <p><b>10</b></p>
<p><b>EXHAUST SYSTEM</b></p>  <p><b>11</b></p>	<p><b>AIR FILTER</b></p>  <p><b>12</b></p>	<p><b>TANK, SEAT</b></p>  <p><b>13</b></p>	<p><b>MASK, FENDERS</b></p>  <p><b>14</b></p>

<p><b>DECAL</b></p>  <p><b>15</b></p>	<p><b>FRONT WHEEL</b></p>  <p><b>16</b></p>	<p><b>REAR WHEEL</b></p>  <p><b>17</b></p>	<p><b>FRONT BRAKE CONTROL</b></p>  <p><b>18</b></p>
<p><b>REAR BRAKE CONTROL</b></p>  <p><b>19</b></p>	<p><b>FRONT BRAKE CALIPER</b></p>  <p><b>20</b></p>	<p><b>REAR BRAKE CALIPER</b></p>  <p><b>21</b></p>	<p><b>SEPERATE ENCLOSURE</b></p>  <p><b>22</b></p>
<div style="display: flex; align-items: center;"> <div style="background-color: #cccccc; width: 50px; height: 100px; display: flex; align-items: center; justify-content: center; margin-right: 20px;"> <span style="font-size: 40px; font-weight: bold;">!</span> </div> <div> <p>All information contained is without obligation. KTM Sportmotorcycle GmbH particularly reserves the right to modify any equipment, technical specifications, prices, colors, shapes, materials, services, service work, constructions, equipment and the like so as to adapt them to local conditions or to cancel any of the above items, all without previous announcement and without giving reasons. KTM may stop manufacturing certain models without previous notice. KTM shall not be held liable for any deviations of availability and/or ability to deliver, illustrations, descriptions, printing and/or other errors. The illustrated models partly contain extra equipment, which is not applied to standard models.</p> <p>© by KTM Sportmotorcycle GmbH, Mattighofen AUSTRIA; All rights reserved; Reprint, also in extracts, with written allowance of KTM Sportmotorcycle GmbH, Mattighofen only.</p> </div> </div>			

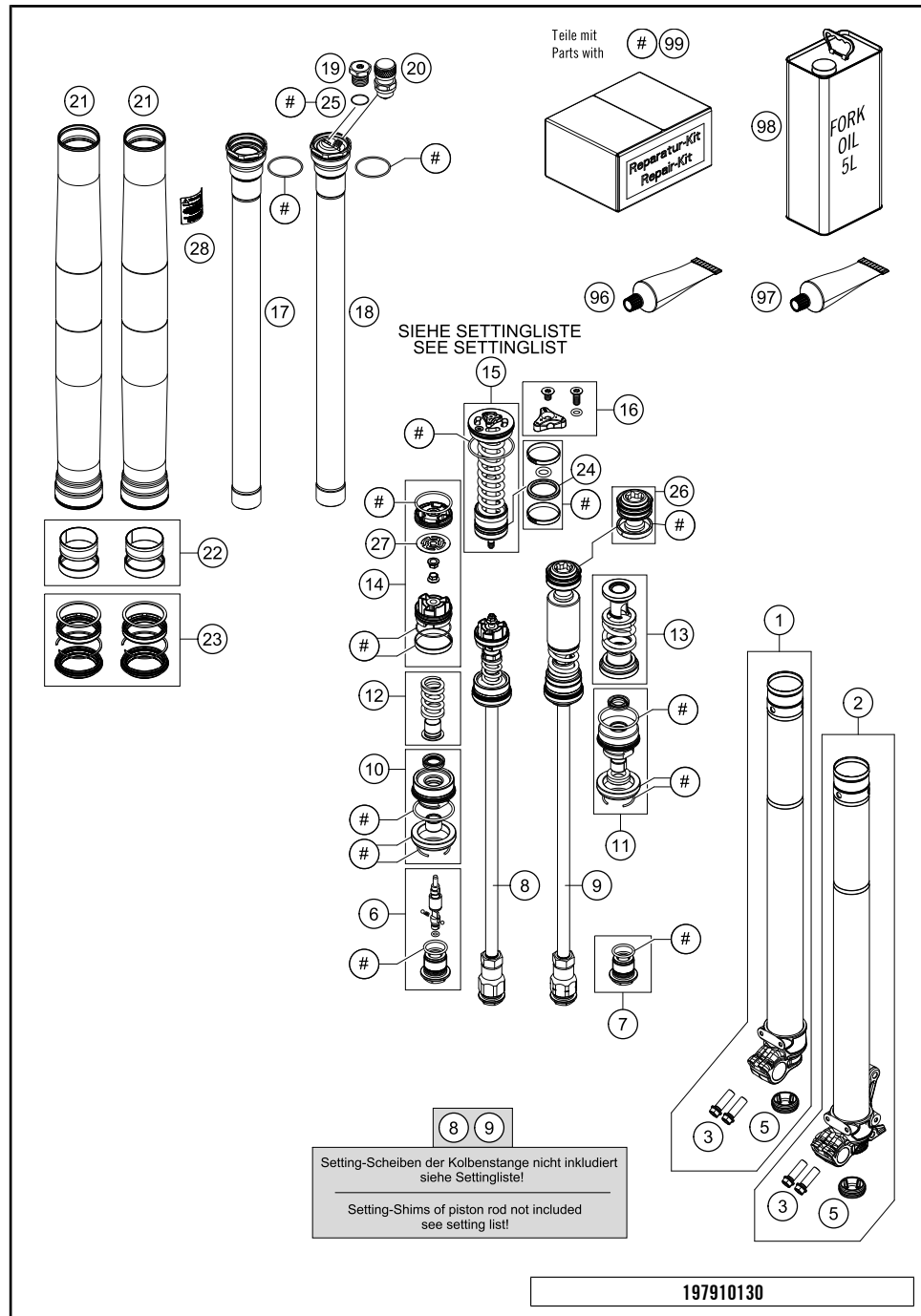


POS	PARTNUMBER	PARTNAME	PIECE
1*	34188S0301	Fork 250 SX 19	1
2	0025080506	HH collar screw M8x50 TX40	4
3	0025080256	HH collar screw M8x25 TX40	8
4	0025080406	HH COLLAR SCREW M8X40 TX40	4
5	0015080256S	HH COLLAR SCREW M8X25 WS=10	1
6	0032100356S	AH-COLLAR SCREW M10X35 ISA45	2
7	83001040000	RUBBER BUSH	4
8	0770025035	O-RING 25X3,55 NBR70 05	1
9	0017060206	SCREW F. PLASTIC K60X20AL SW6	2
10	79001037034	HANDLEBAR SUPPORT LOWER PART	2
11	78112020050	HOUR METER	1
12	0912040163	AH SCREW DIN0912-M 4X16	2
32	7900103202230	LOWER TRIPLE CLAMP CPL. 16	1
34*	7910103402230	Top triple clamp X=22 mm 2019	1
36	70009082000	AXLESCREW M20X1.5; SW17	1
38	79001038000	HANDLEBAR CLAMP 28MM	1
39	79001039136	HANDLEBAR SUPPORT D28MM-H36MM	2
81	54201081100	TAPERED ROLLER BEARING CPL. 06	2
82	77701084000	O-RING SUPPORT W. SEALING LIP	1
84	54601184000	STEERING HEAD GASKET TOP	1
85	7770108510028	CLAMP BRAKE HOSE	1
86	78101086000	STEERING HEAD COVER	1
91	59001092050	SPECIAL SCREW M6X12,5 WS=8	6
92*	7770109410028G	Fork Protection Kit SX 2019	1
97	48600698	FORK PROTECTION RING 08	2
98	00050000929	HANDLEBAR SUPPORT KIT D28/H36	x
99	00050000930	STEERING HEAD REP. KIT 06-15	x

175040110

50643

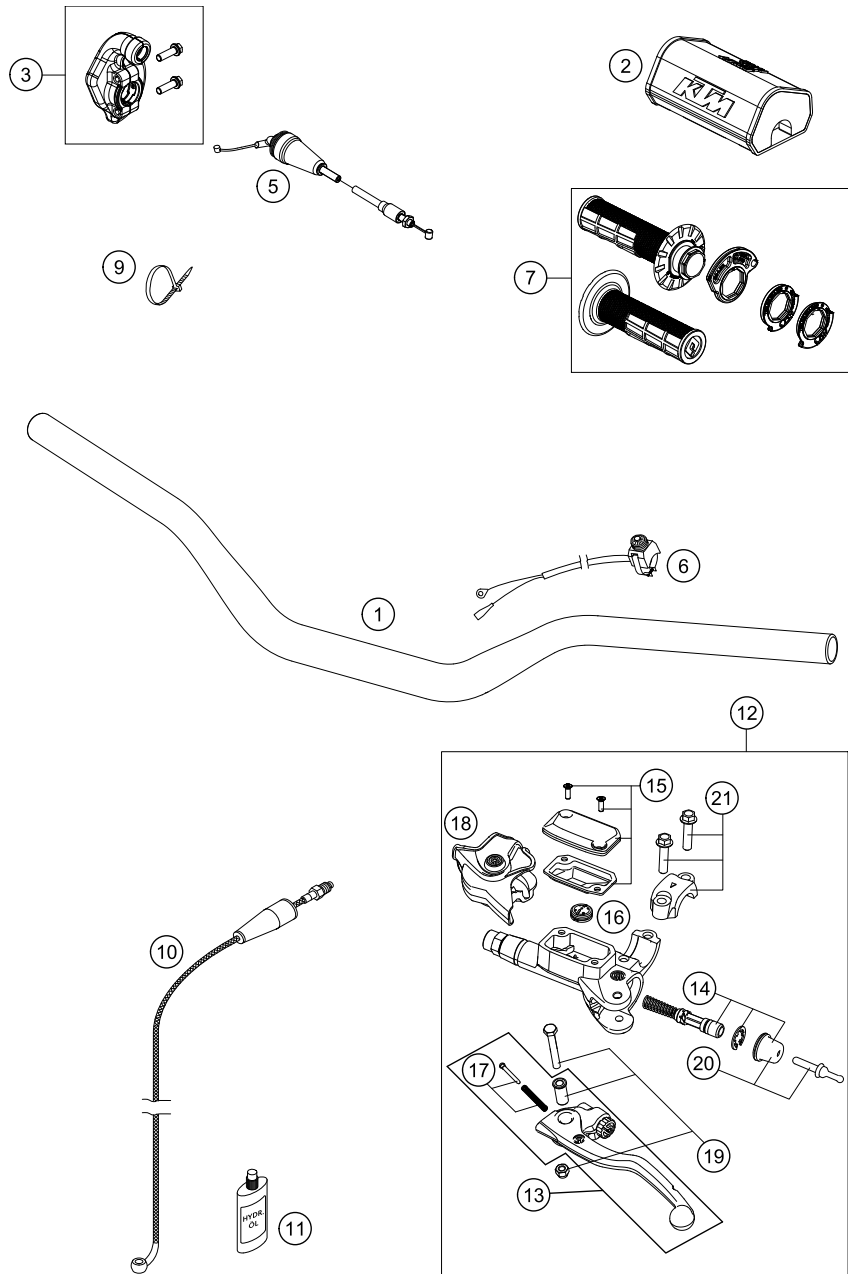
\* NEW PART X ON DEMAND



POS	PARTNUMBER	PARTNAME	PIECE
1	48601408S2	FORK LEG R/S + TUBE CPL.	1
2	48601407S2	FORK LEG L/S + TUBE CPL.	1
3	0025080256	HH collar screw M8x25 TX40	4
5	48600692	RUBBER CAP D=26,4	2
6	48601484S	ADJUSTING CAP M20 CPL.	1
7	48601533S	PLUG M20 CPL.	1
8*	48601574S3	Piston Rod D12 M9x1 L385 kpl.	1
9*	48601501S1	Piston Rod left kpl. M12x1	1
10	48601462S1	SCREW SLEEVE OIL CPL.	1
11	48601452S1	SCREW SLEEVE AIR CPL.	1
12	48600578S	SPRING REBOUND + SPRING GUIDE	1
13	48601820S	Spring rebound + spring guide	1
14	RP10015	Piston set air fork D34 MY18	1
15*	48601485S4	Druckstufeneinheit kpl.	x
15	48601485S3	Druckstufe kpl.	x
16	R14062	SMALL PARTS KIT SCREW CAP	1
17	48601454S1	SCREW CAP + TUBE CPL. R/S	1
18	48601453S1	SCREW CAP + TUBE CPL. L/S	1
19	48601495	PLUG SCREW M8X1 BN44	1
20	48601494S	VALVE M8X1 INCL. SCREW CAP	1
21	48601671	OUTER TUBE L577 D54/60MM 2L	2
22	R14047	REP. KIT GUIDE BUSHINGS	1
23	R14046	REPAIR KIT 4860 PACK	1
24	04100002	X-RING 26,57X3,53 FKM 80SH.	1
25	48600044	O-RING NBR 6X1,5	1
26	48601628S	Main piston Ø34 incl. gasket	1
27	48601459	Checkvalve shim	1
28	52000158	STICKER WARNINH 40X40	1
96	T14034	Fuchs grease IPR (250g)	1
97*	00062010053	Spezial Fett AER Fork 50g	1
98	48601166S1	FORK OIL SAE4 5L	1
99	R14060	SEALING KIT	1

50044

\* NEW PART X ON DEMAND



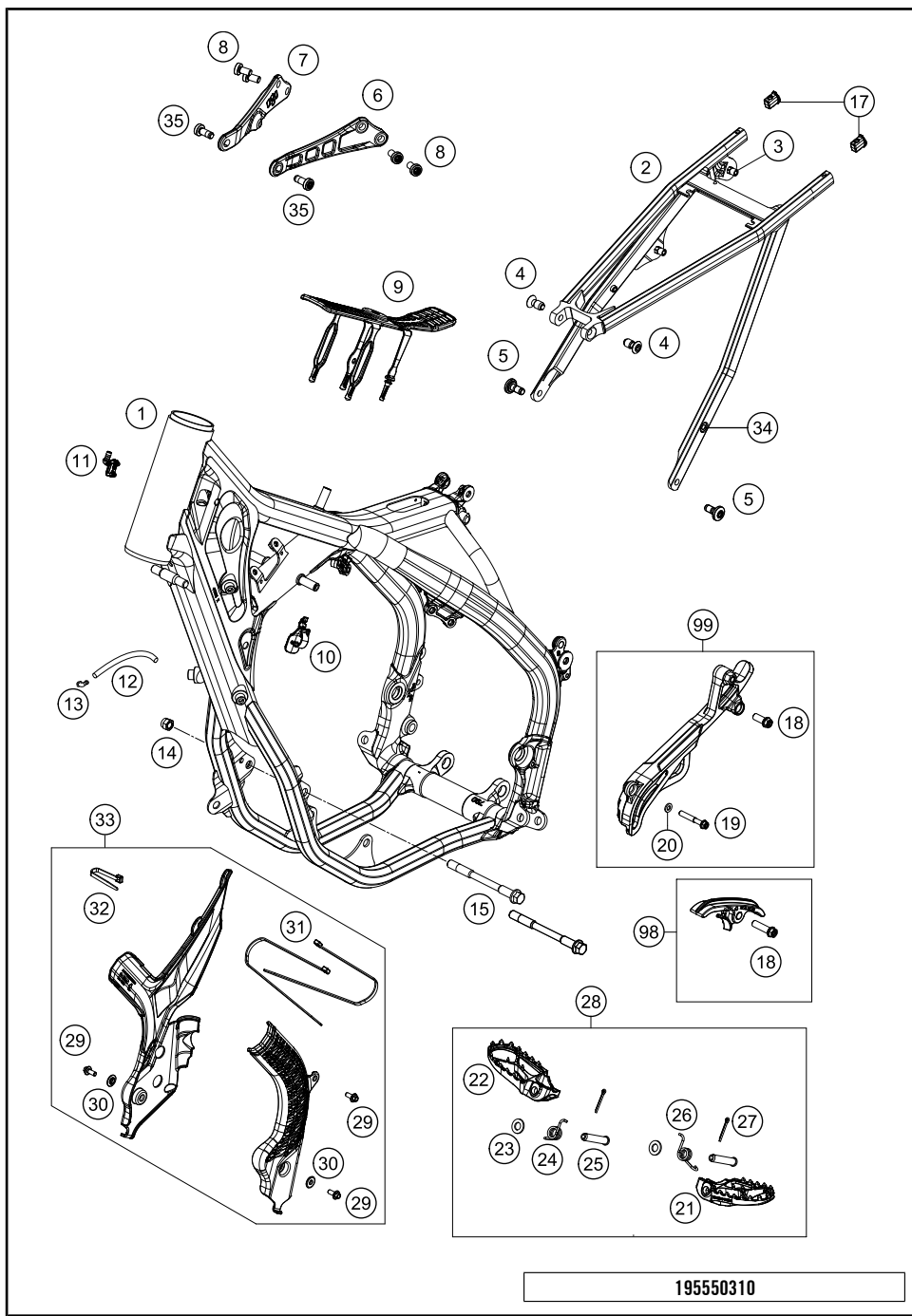
POS	PARTNUMBER	PARTNAME	PIECE
1	7900200100030	HANDLEBAR D=28MM	1
2*	79102002044	Handlebar pad compl.	1
3	50402010025	THROTTLE BODY CPL.	1
5*	50502091000	Throttle Cable 2T	1
6	50311089200	SHORT CIRCUIT BUTTON 02	1
7	79002021100	GRIP SET	1
9	44011076200	CABLE TIE 200/3,6MM BLACK	1
10	79232063000	CLUTCH PIPE	1
11	50302036200	OIL FOR HYD. CLUTCH 100 ML	1
12	54802030144	MASTER CYLINDER CPL.	1
13	54802031000	CLUTCH LEVER CPL. BREMBO 06	1
14	54802032000	REP. KIT PISTON 06	1
15	5480200310030	COVER HYD. CLUTCH CPL. 2014	1
16	54802051000	VALVE	1
17	54802052000	BOLT KPL.	1
18	54802037000	PROTECTION CAP 06	1
19	54802038100	LEVER SCREW CPL. 06	1
20	54802046000	PUSH ROD CPL.	1
21	54802005100	CLAMP CPL. 06	1

175040211

50646

\* NEW PART

X ON DEMAND



195550310

POS	PARTNUMBER	PARTNAME	PIECE
1*	5550300100033	Frame 555S3	1
2*	79103002000	Subframe	1
3	77303139000	BLIND RIVET NUT EM6-60LF/HX	2
4	0019080206S	FLAT HEAD SCREW M. ISA45 M8X20	2
5	79003003000	SPECIAL SCREW M8X18 TORX45 SS	2
6*	5550301300001S	Engine brace, left KTM 250 SX	1
7*	5550301400001S	Engine brace, right KTM 250 SX	1
8	0035080156S	AH-COLLAR SCREW M8X15 TORX45	4
9*	79607012000	TANK REST RUBBER	1
10*	79111093000	wire holder le 19	1
11*	79107013010	wire holder / fuel ventilation	1
12	50335030001	PVC-HOSE 6X9	x
13	50303089000	ANGLE PIECE '97	2
14	54310086100	SELF LOCKING NUT M10 CU WS=14	2
15	77203014000	engine brac.scr. M10x115	2
17	79103002010	Rear frame bit	2
18	0025080306	HH collar screw M8x30 TX40	2
19	0025060406	HH collar screw M6x40 TX30	1
20	0125060003	WASHER DIN0125-A 6,4	1
21	79003040000	FOOTREST L/S 2016	1
22	79003041000	FOOTREST R/S 2016	1
23	0125100003	washer DIN 125 A 10.5	2
24	79003044000	FOOTREST SPRING R/S 2016	1
25	54803044000	PIN FOR FOOT PED 51.5X9.8 MM	2
26	79003045000	FOOTREST SPRING L/S 2016	1
27	0094032253	PIN DIN0094-3,2X25 STEEL	2
28	79003040033	FOOT PEGS SET CPL. 2016	1
29	0014050123	HH COLLAR SCREW M 5X12 WS=6	4
30	54803092060	BUSH F. FRAME PROTECTION 03	2
31	44011076305	CABLE TIE 300/4,8MM BLACK	3
32	44011076140	CABLE TIE 140/2,5MM BLACK	1
33*	7910309400030	Frame protection set	1
34	79003002080	BLIND RIVET NUT M6 KNURLED	2
35	0035080206S	SHCS M8x20 TX45	2
98	79003053010	CHAIN SLIDING KIT BELOW CPL.16	1
99	55403096010	SPROCKET COVER KIT	1

50653

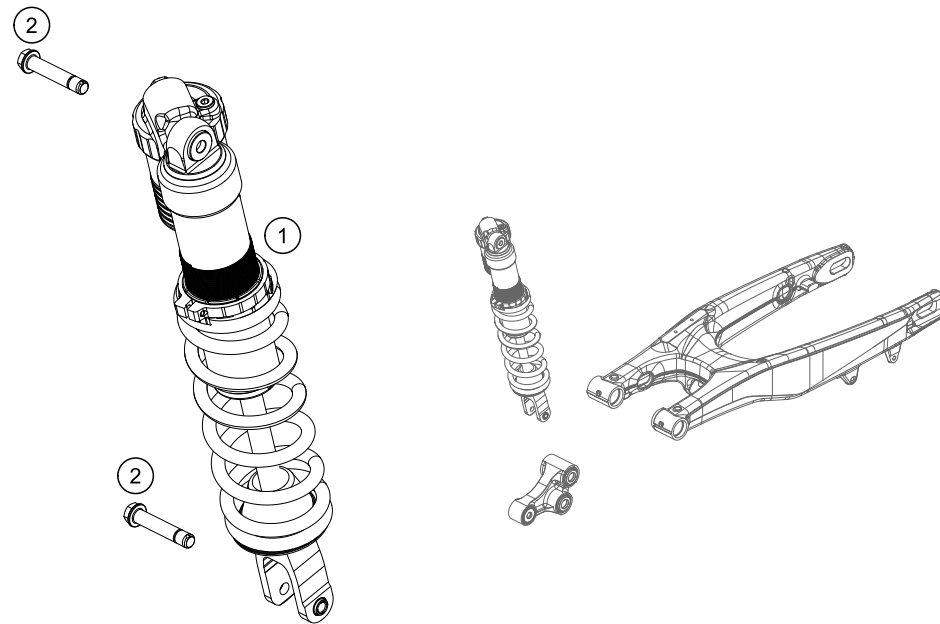
\* NEW PART

X ON DEMAND



# SHOCK ABSORBER

250 SX 2019 EU 2019



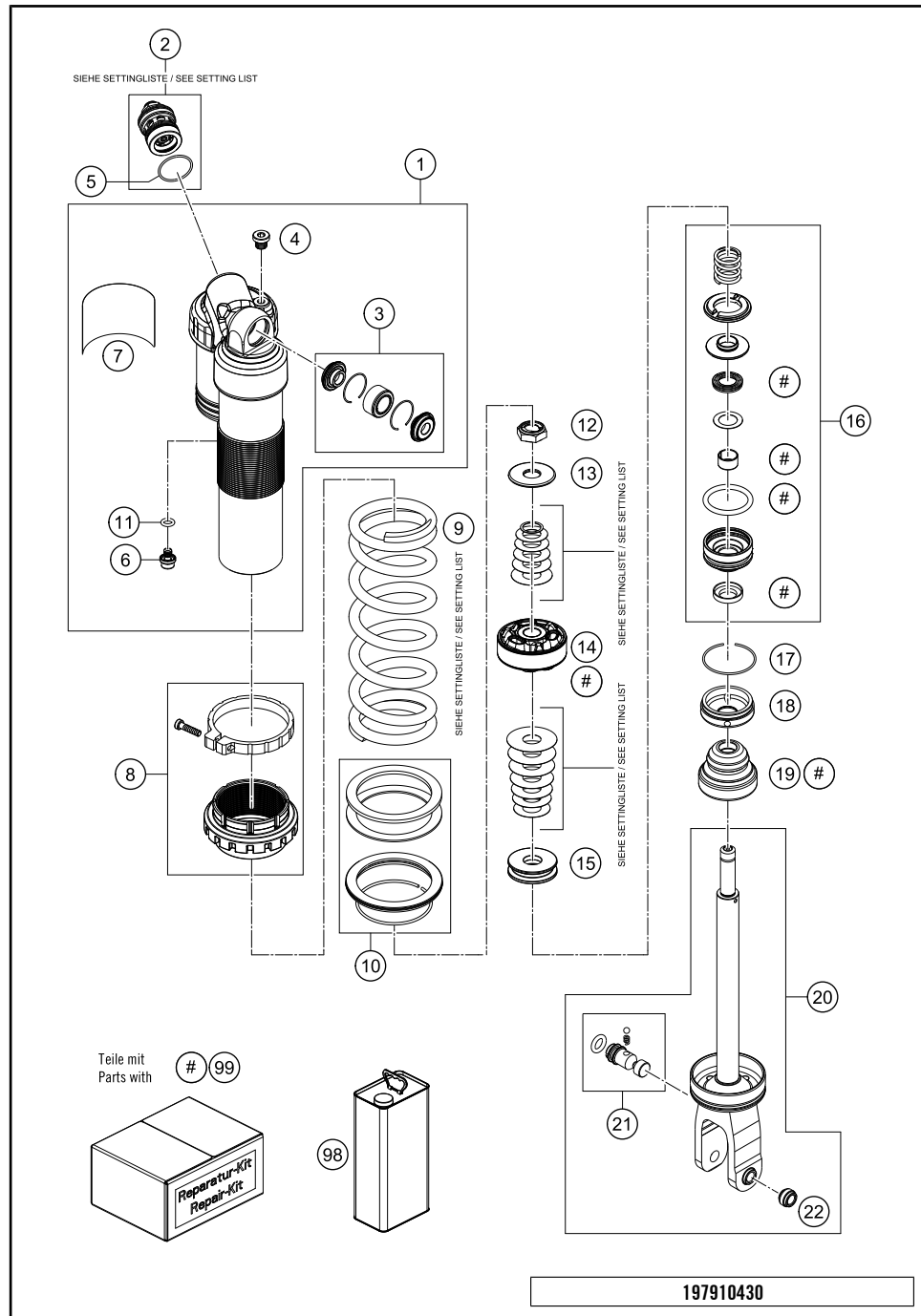
POS	PARTNUMBER	PARTNAME	PIECE
1*	18187S0301	Spring leg 250 SX 19	1
2	77204089000	HH COLLAR SCREW M10X52 SW13	2

165040410

50657

\* NEW PART

X ON DEMAND

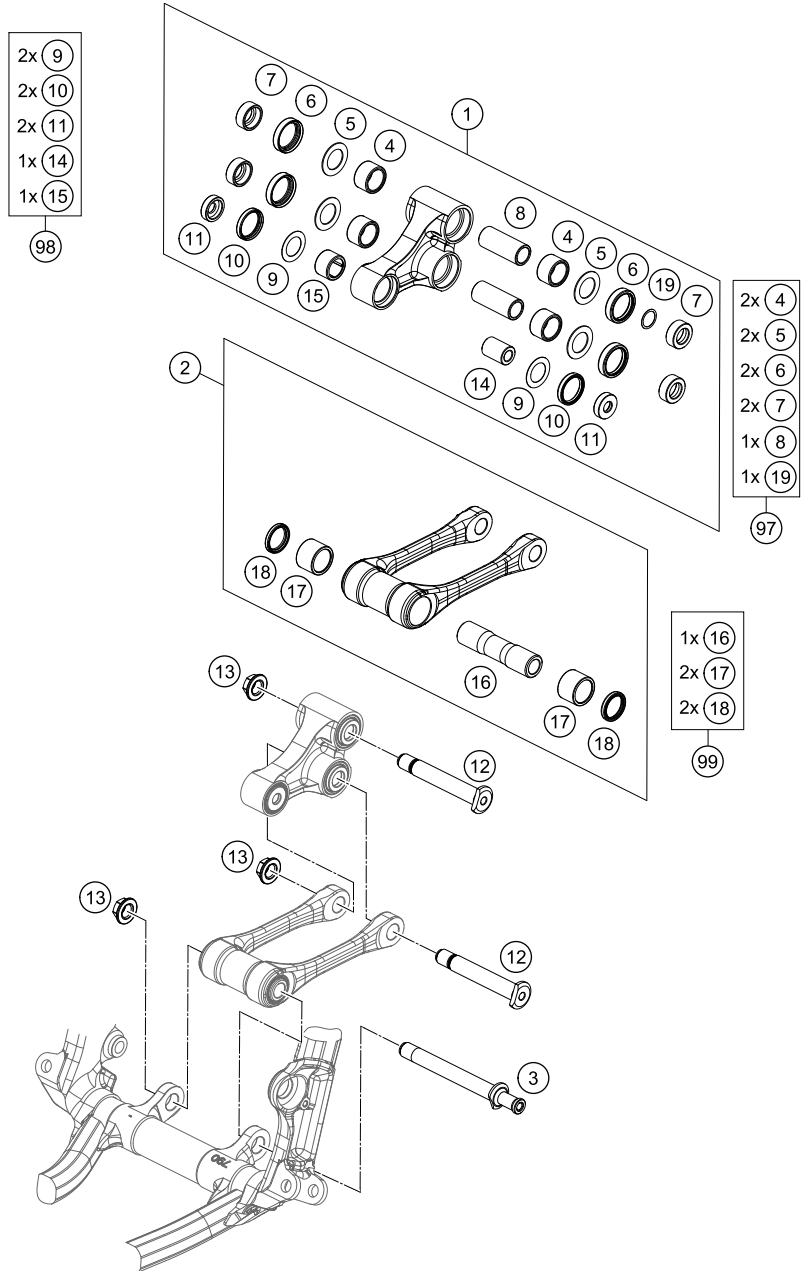


POS	PARTNUMBER	PARTNAME	PIECE
1	50181144S1	MONOSHOCK UPPER PART CPL.	1
2	50181101S23	DCC cpl.	x
2*	50181101S29	Druckstufe kpl.	x
2*	50181101S30	DCC Link 2019 US kpl.	x
2*	50181101S33	Druckstufe kpl.	x
3	R12025	REP.KIT BEAR./SEAL KGW 1525 HD	1
4	50180095	BLEED PLUG R 1/8	1
5	50180218	O-RING 25X1,5 VITON	1
6	36120151	SCREW PLUG M5X6	1
7	52000146	STICKER WP WARNING 92X53MM	1
8	50180991S	SPRING ADJUSTER PLASTIC CPL.	1
9	91210128S	Spring 255 36 N/MM	x
9	91210123S	SPRING 260 39 N/MM	x
9	91210124S	SPRING 260 42 N/MM	x
9	91210100S	SPRING 260 45 N/MM	x
9	91210101S	SPRING 260 48 N/MM	x
10	50180824S	SPRING PLATE SET	1
11	46810893	O-RING NBR 5,28X1,78	1
12*	50181207	Locking Nut M12x1 h9 SW19	1
13	50181092	REBOUND DISC 12X34 T2 H0	1
14*	50181255S	Kolben iØ12 aØ50 kpl. MY18	1
15	50181091	REBOUND DISC 12X43 H8	1
16	50180603SA	ADAPTER D50 H28 CPL.	1
17	50180126	CIRCLIP 53X1,75	1
18	50180626	RESERVOIR CAP D=50 H=10 09	1
19	50181100	BUMP RUBBER Ø57/18 H46	1
20	50181148S1	MONOSHOCK BOTTOM PART CPL.	1
21	50181094S	ADJUSTING SCREW M8X0,5 CPL.	1
22	46811205	ADAPTOR-BUSH M10x1,50, D=15	1
98	50180751S1	SHOCK ABSORBER FLUID 5 LT	1
99*	RP10019	Revisionskit 5018 Link 2019	1

50068

\* NEW PART

X ON DEMAND



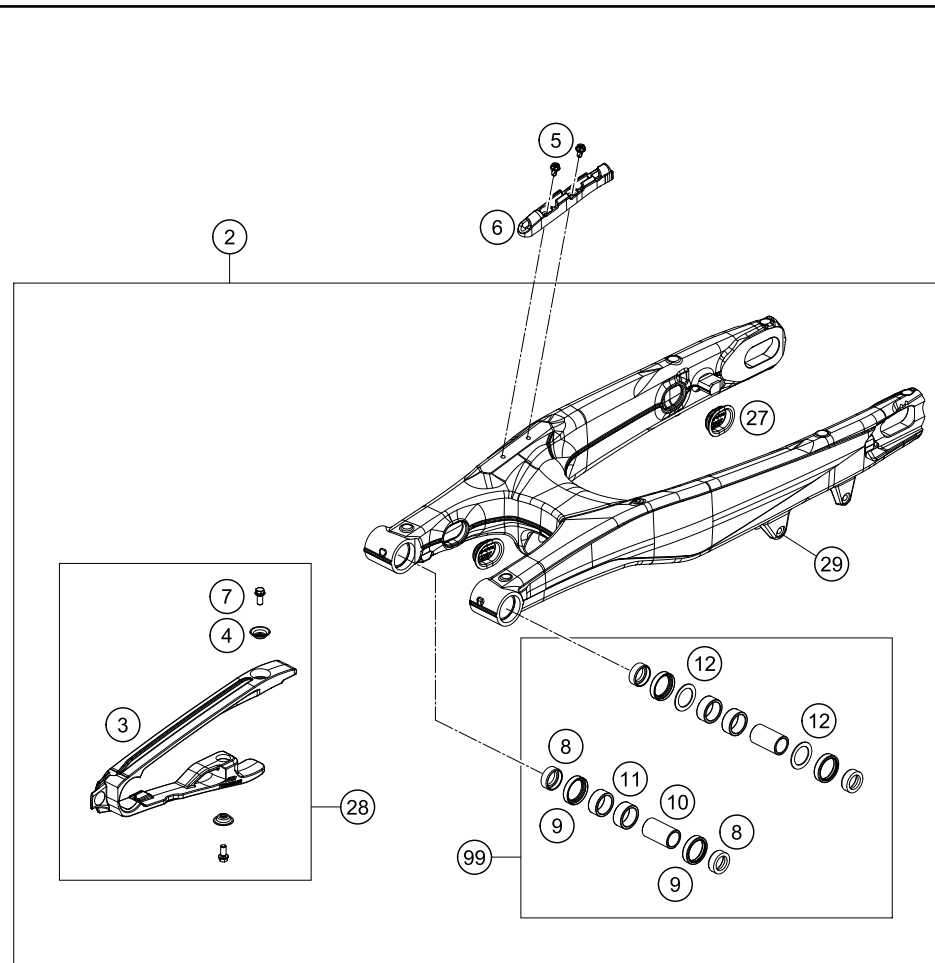
POS	PARTNUMBER	PARTNAME	PIECE
1	7900408014401	TRIANGLE LEVER CPL. SX 2017	1
2	7900408304401	PULLROD CPL. SX 2016	1
3	79004084000	BOLT TIE-ROD BEARING M14X1,5	1
4	54603097000	NEEDLE BUSH HK 2016	4
5	59033080000	SHIM 20X32X1	4
6	0760253270	radial shaft seal 25x32x7	4
7	77204080130	BUCKET SHAFT SEAL RING 25X11	4
8	54603081000	BUSHING SLEEVE 15 X 20 X 48	2
9	50180604	SHIM D29,75 X D19 X T0,4 08	2
10	0760243050	SHAFT SEAL RING 24X30X5	2
11	77204080020	BUCKET FOR SHAFT SEAL RING	2
12	77204085000	BOLT FOR CANTILEVER M14	2
13	77204087000	hex nut M14x1.5 WS17	3
14	77204080010	BEARING SLEEVE 10X18X25,5	1
15	0618182416	NEEDLE BUSH HN1816 RS 18/24/16	1
16	79004084010	BEARING SLEEVE F. TIE-ROD 16	1
17	0618222820	NEEDLE BEARING HK2220 22X28X20	2
18	0760222841	SHAFT SEAL RING G22x28x4	2
19	54603090010	STEEL WASHER 15,2X19X0,1	x
19	54603090020	STEEL WASHER 15,2X19X0,2	x
19	54603090030	STEEL WASHER 15,2X19X0,3	x
97	77204080110	TRIANGLE LEVER REP. KIT REAR	x
98	77204080090	TRIANGLE LEVER REP. KIT FRONT	x
99	79004083010	PULL ROD REP. KIT SX-F	x

157890460

19201

\* NEW PART

X ON DEMAND



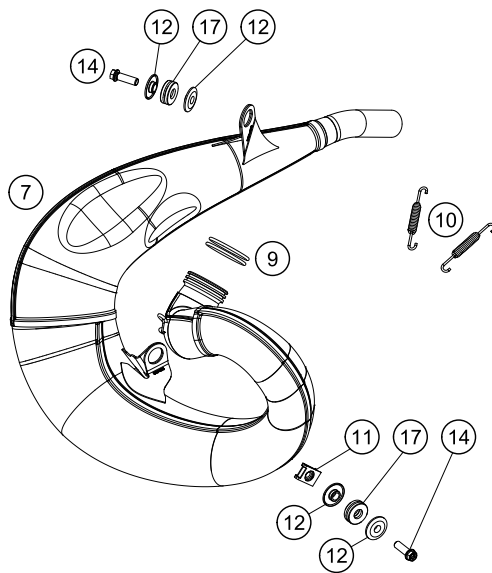
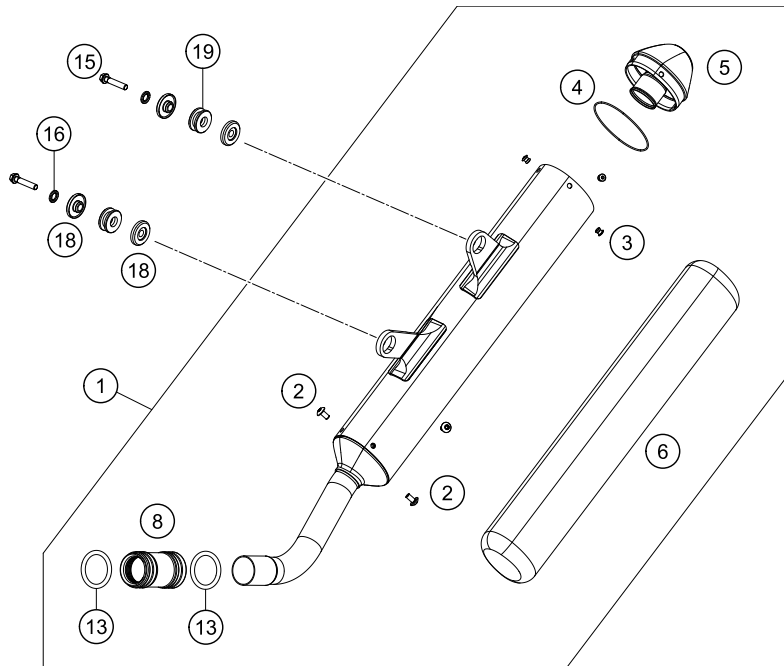
POS	PARTNUMBER	PARTNAME	PIECE
2*	79104030044	Swingarm cmpl. 2019	1
3	77204066100	CHAIN SLIDING PROTECTION	1
4	77304066050	chain slider bushing	2
5	0009050106	EJOT SPIRAL SCREW SF M5X10-K	2
6	79004042000	BRAKE HOSE GUIDE	1
7	59009062013	SPECIAL SCREW M6X13 WS=8 10.9	2
8	77704034000	SUPPORT F. SHAFT SEAL RING 16	4
9	0760253270	radial shaft seal 25x32x7	4
10	59404032000	BEARING SLEEVE 17X22X38,7 03	2
11	0618222812	NEEDLEBEAR HK2212V 22/28/12 MB	4
12	54603036000	STOP DISK 22,2X31,7X1	2
14	79004070000	CHAIN GUIDE	1
15	59009062019	SPECIAL SCREW M6X19 WS=8 10.9	1
16	0025060456	HH COLLAR SCREW M6X45 TX30	1
17	77304070130	BUSH. F. CHAIN FAIL. PROT. 07	1
25	79004037000	SWING ARM M16X1,5 2016	1
26	54804038000	SELF LOCK.NUT M16X1,5 WS=19 03	1
27	77204041000	CLOSING COVER	4
28	77204066010	CHAIN GUARD CPL. 11-15	1
29	54603055051	PRESS IN NUT M6 STEEL ZINC	1
98	77704070210	CHAIN GUIDE KIT REAR SX-F 14	1
99	79004030010	SWING ARM REPAIR KIT SX-F	x

195050490

50163

\* NEW PART

X ON DEMAND



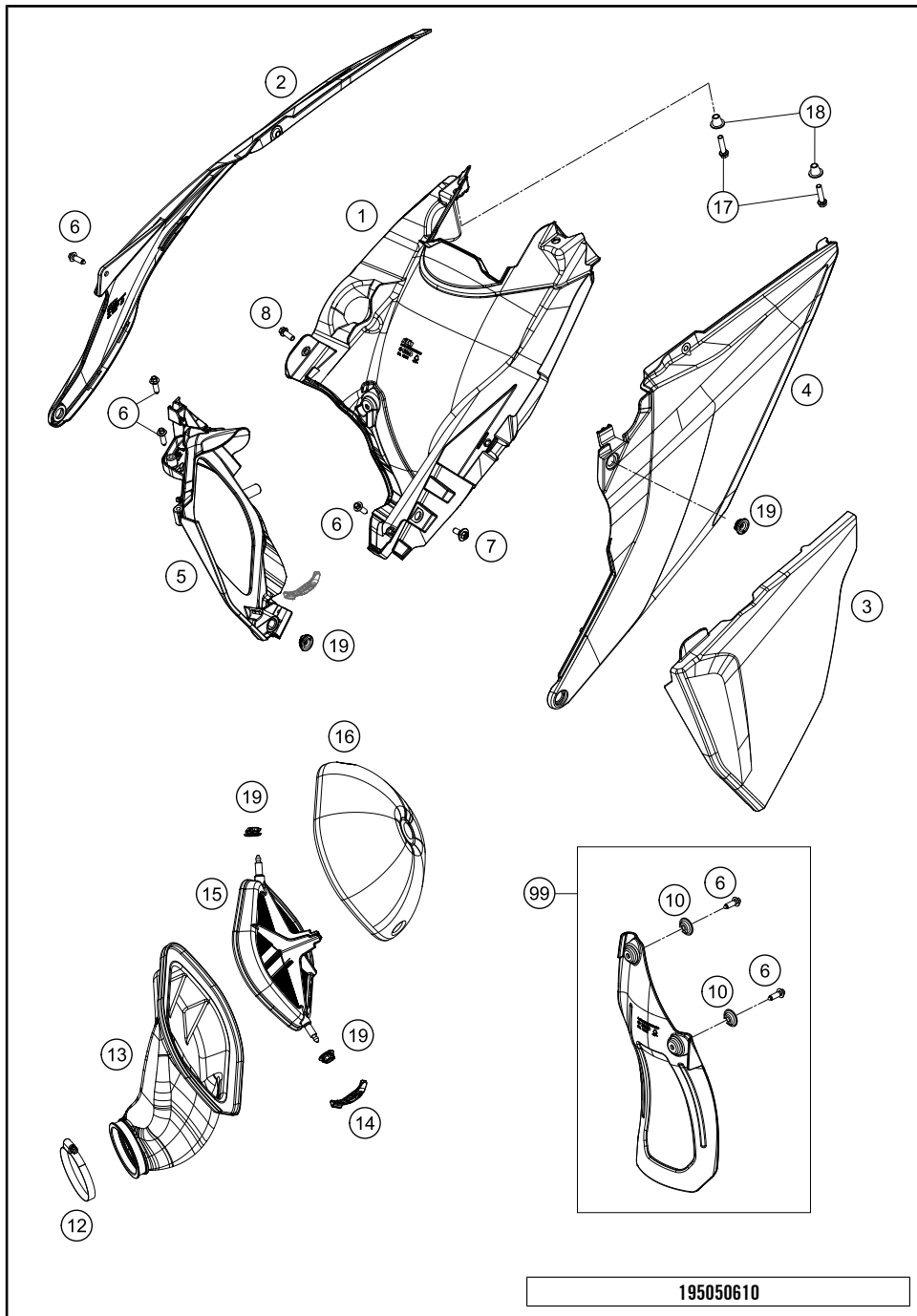
POS	PARTNUMBER	PARTNAME	PIECE
1*	55505079000	Silencer SX	1
2	78105081010	SCREW TORX M5X10	4
3	0011480800	DUMMY RIVET 4,8X 8 NIRO	4
4	0770740015	O-RING 74,00X1,50 FKM 75SH	1
5*	55505079060	End Cap cpl.	1
6*	55505078210	Damping material 210g	1
7*	55505007000	Manifold	1
8	55405057000	exhaust rubber	1
9	0770440030	O-RING 44,00X3,00 VITON	2
10	50305016000	TEN.SPRING L=62MM EY.MOVEABLE	2
11*	54603048000	RANGE CHANGE METAL NUT M8	2
12*	59405069000	BUSHING FOR EXHAUST SUPPORT 03	4
13	55405058000	hose spring	2
14*	0024060256	HH COLLAR SCREW M6X25 TX30	2
15*	0025060306	HH collar screw M6x30 TX30	2
16*	50233041000	PAIR OF WASHERS M 6 NORDLOCK	2
17*	79105068000	Damper gray	2
18*	77205169000	BUSHING 7.5x12x28x8.3 11	4
19*	77205068000	DAMP. COMPON. BLACK	2

195550510

50658

\* NEW PART

X ON DEMAND



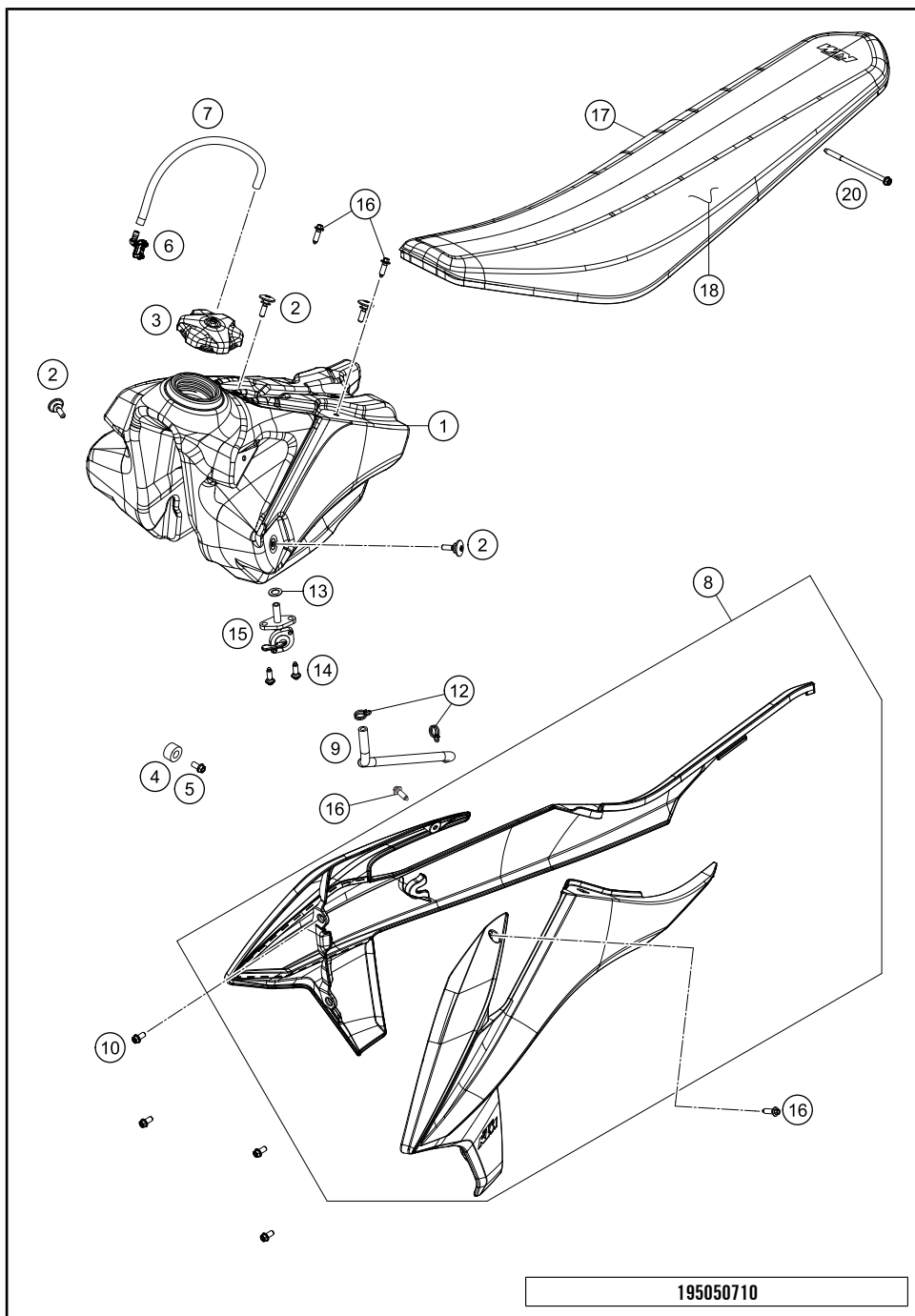
POS	PARTNUMBER	PARTNAME	PIECE
1*	7910600100028	Air box	1
2*	7910600400028	airbox cover right	1
3*	7910600300028B	Air filter box cover, left	1
4*	7910600500028	air box cover left white	1
5*	7910600101028	Air cleaner box front	1
6	0017060206	SCREW F. PLASTIC K60X20AL SW6	6
7*	83008000015	SPECIAL SCREW M6X15X3	1
8	0025080166	HH COLLAR SCREW M8X16 TX40	1
10	77304066050	chain slider bushing	2
12	51006027000	HOSE CLAMP 50-70MM	1
13	50406026000	AIRBOX RUBBER	1
14	79006017000	FILTER MOUNTING BRACKET	1
15	50406016000	AIR FILTER SUPPORT	1
16	79006015000	AIR FILTER	1
17*	0025060256	HH collar screw M6x25 TX30	2
18*	79103002020	Subframe bush	2
19	47106003160	quick release rubber grommet	4
99	79006010010	SPLASH PROTECTOR KIT	x

195050610

50325

\* NEW PART

X ON DEMAND



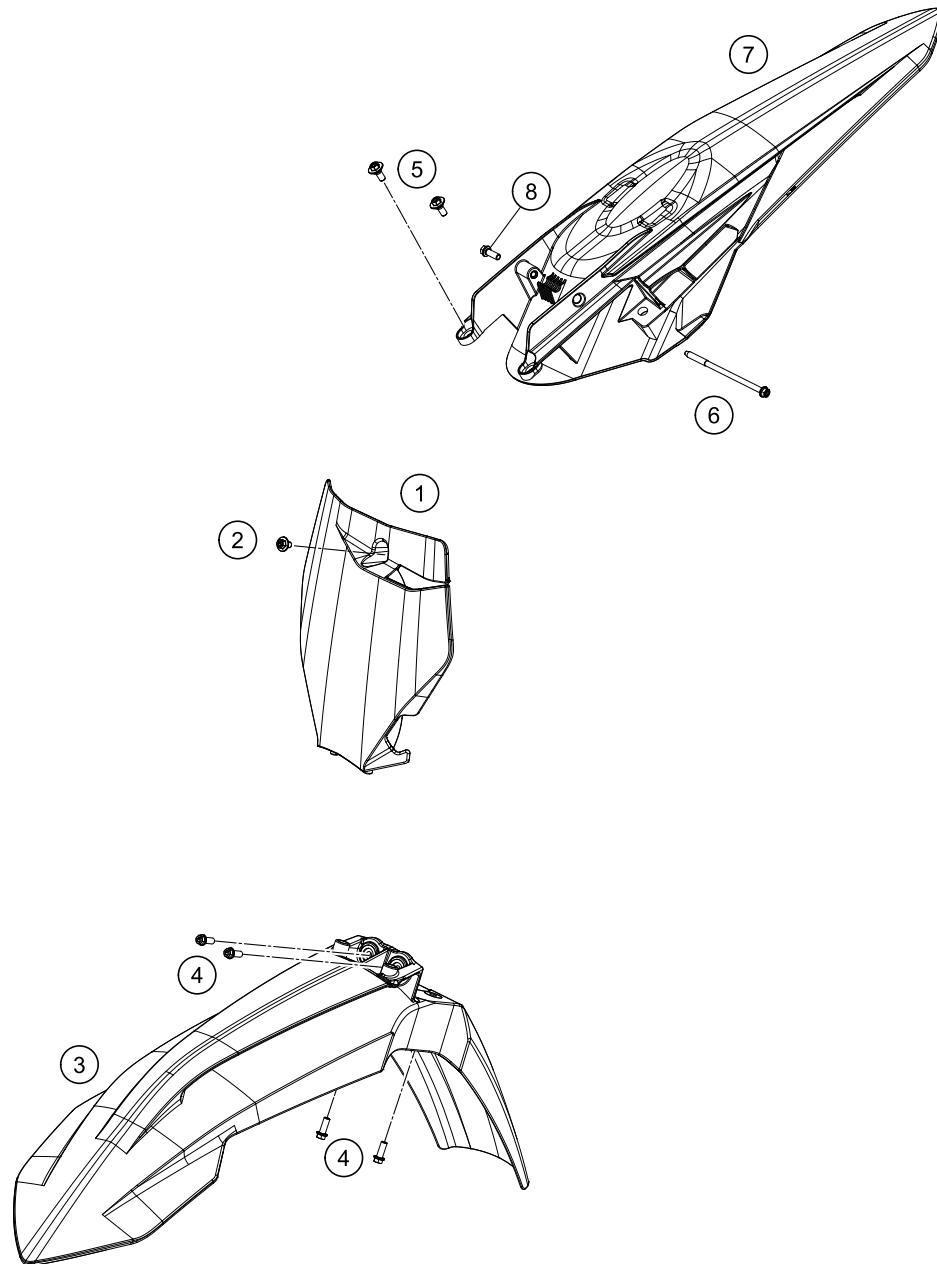
POS	PARTNUMBER	PARTNAME	PIECE
1*	5050701300030	fuel tank	1
2	79107011000	Seat holder screw	4
3	7770700814404	TANK PLUG CPL. 2014	1
4	50307014000	TANK ROLLER 12X26X12 '98	3
5	0026060136	COLLAR SCREW M6X13 ISA30	3
6	51030022000	ANGLE PIECE 90 DEGREE M10X1	1
7	78007000270	PVC-HOSE 5,6X10X270MM	1
8*	7910805400028A	Spoiler-Set SX 2019	1
9*	50507016000	Pre-formed fuel hose SX	1
10	0025060126	HH collar screw M6x12 TX30	4
12	58031005000	CLAMP YDNAC 10128 12MM	2
13	0770130023	O-RING 13,00X2,30	1
14	0017060205	SCREW FOR PLASTIC K60X20 SW6	2
15	50307005000	GAS COCK MIKUNI ON/OFF 2001	1
16	0017060206	SCREW F. PLASTIC K60X20AL SW6	4
17*	79107040000	Seat	1
18*	79107040060	seat cover	1
20*	79107040010	Seat screw	1

195050710

50330

\* NEW PART

X ON DEMAND



POS	PARTNUMBER	PARTNAME	PIECE
1*	7910800700028	Number Plate	1
2	0024060106	HH COLLAR SCREW M6X10 TX30	1
3	79008010000EB	FRONT FENDER ORANGE 15	1
4	0025060166	HH collar screw M6x16 TX30	4
5*	83008000015	SPECIAL SCREW M6X15X3	2
6*	79107040010	Seat screw	1
7*	7910801300028	Fender rear white	1
8*	0025060166	HH collar screw M6x16 TX30	1

195050810

50337

\* NEW PART

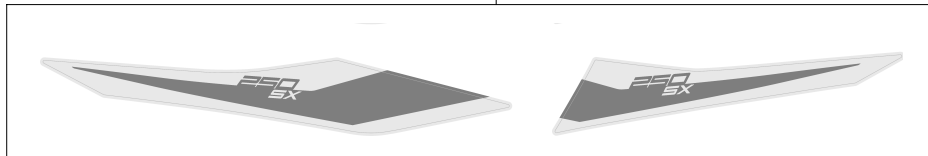
X ON DEMAND



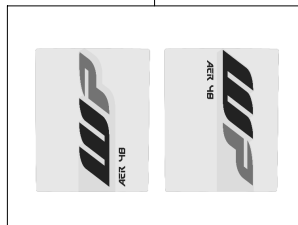
POS	PARTNUMBER	PARTNAME	PIECE
1*	79108095000	Decal Startnberplate (KTM)	1
2*	79108098003	Decal set 250 SX 2019	1
3	52000145	FORK DECAL-SET "AER48"	1



2



3

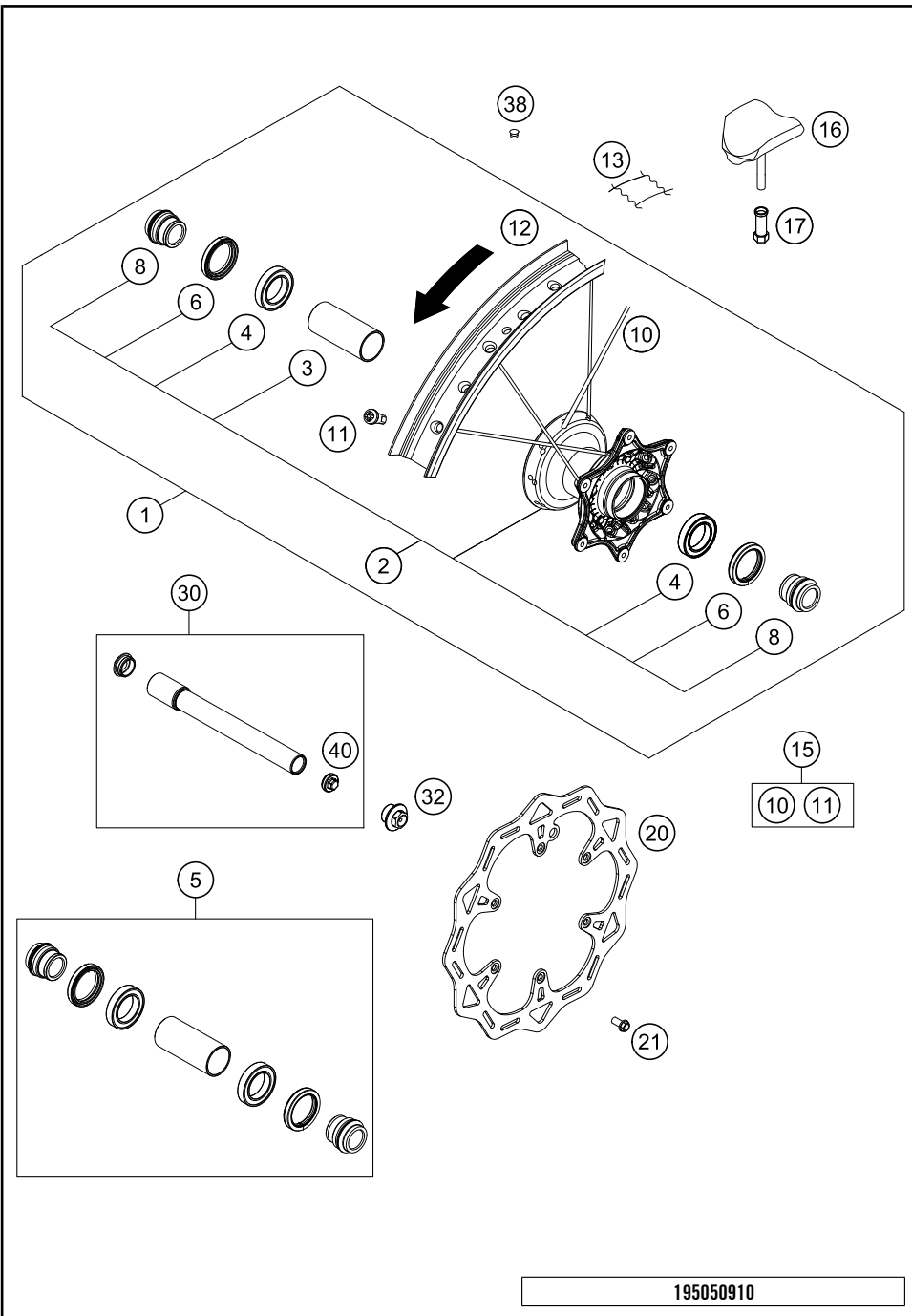


195550830

50662

\* NEW PART

X ON DEMAND

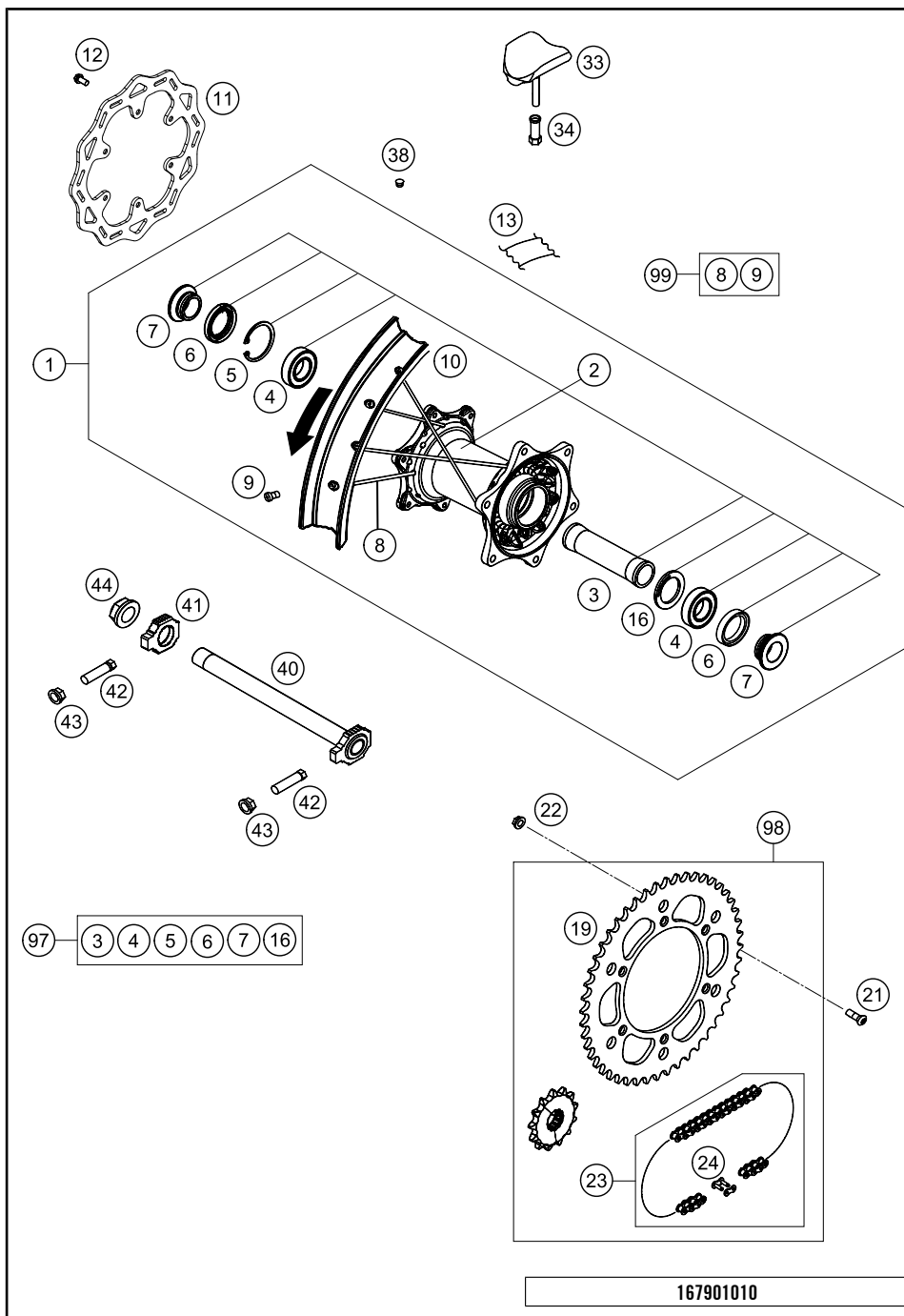


POS	PARTNUMBER	PARTNAME	PIECE
1*	7900900144430	FRONT WHEEL Cmpl. 1.6X21" DID	1
2	77709010144	FRONT WHEEL HUB CPL.	1
3	54809011000	BEA.SPACERTUBE 35X2 L=79,4 03	1
4	0625069068	GR.BALL BEAR.6906 DDU2CG23S6NM	2
5	77709015000	FRONT WHEEL REP. KIT SX-F USA	1
6	0760354771	SHAFT SEAL RING 35X47X7 TC	2
8	77709012000	SPACER BUSHING F. FR. WHEEL	2
10	7710907122630	SPOKE M4,5X226- 21" BLACK 12	36
11*	79109072000	Spoke nipple M4.5	36
12*	7910907000030	Front Rim 21x1.60	1
13	50309073000	RIM BAND 21"	1
15	00050000954	SPOKE KIT FRONT "21" BLACK	x
16	78109090000	RIM LOCK 1,60"	1
17	77110090050	NUT FOR WHEEL HOLDER	1
20	79009060000	BRAKE DISC FRONT 260MM 16	1
21	59009062013	SPECIAL SCREW M6X13 WS=8 10.9	6
30	79109081033	Wheel spindle front cmpl, 2019	1
32	70009082000	AXLESCREW M20X1.5; SW17	1
38	55003135000	PLUG FOR RIM	x
40	7770908107055	AUXILIARY SCREW FRONT	1

195050910

50164

\* NEW PART X ON DEMAND

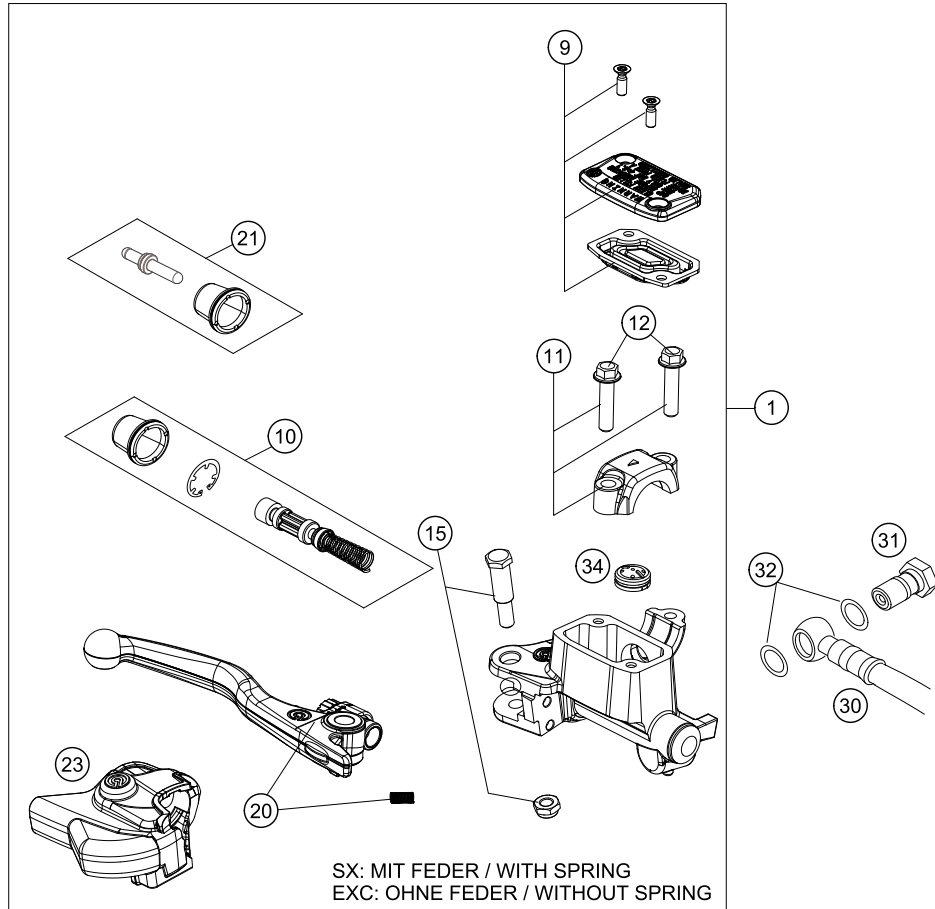


POS	PARTNUMBER	PARTNAME	PIECE
1*	7901000134430	REAR WHEEL Cmpl. 2.15X19" DID	1
2	78010010244	REAR WHEEL HUB Cpl. 2013	1
3	77710011000	BEARING DISTANCE TUBE 121,5MM	1
4	0625060058	GR. BALL BEAR. 6005 DDU2CG23S6NM	2
5	0472047175	CIRCLIP DIN0472-47X1,75	1
6	0760324771	SHAFT SEAL RING 32X47X7 BSL	2
7	77710016000	DISTANCE BUSHING REAR WHEEL	2
8	7901007120530	SPOKE M4,5X205-19" BLACK 16	36
9*	79109072000	Spoke nipple M4.5	36
10*	7911007000030	Rear rim 19x2.15	1
11	79010060000	BRAKE DISC REAR 220MM 16	1
12	59009062013	SPECIAL SCREW M6X13 WS=8 10.9	6
13	50310073200	RIM BAND 18" AND 19"	1
16	77710015000	DISTANCE RING	1
19	7771015104801	REAR SPROCKET 48-T	x
19	7771015105001	REAR SPROCKET 50-T	1
19	7771015105201	REAR SPROCKET 52-T	x
21	0019080266S	COUNTER-SUNK SCREW ISA45 M8X26	6
22	06923080003	hex nut EN 1661 M8 WS13	6
23	50310165118	CHAIN 5/8X1/4" MX	1
24	50310166000	CONNECTING LINK F. 50310165118	1
33	78110090000	RIM LOCK 2,15"	1
34	77110090050	NUT FOR WHEEL HOLDER	1
38	55003135000	PLUG FOR RIM	x
40	77710085044	WHEEL SPINDLE Cpl. '13	1
41	77710084000	CHAIN TENSIONER R/S	1
42	50304040100	screw M10x1.25x50 WS10	2
43	58414030000	HH COLLAR NUT M10X1,25 WS=13	2
44	61010086000	COLLAR NUT M25X1,5 WS=32 05	1
97	77710015010	REAR WHEEL REP. KIT	x
98	00050002077	DRIVETRAIN KIT SX 14Z/50Z	x
99	00050000975	SPOKE KIT REAR '19' BLACK	x

167901010

50501

\* NEW PART X ON DEMAND



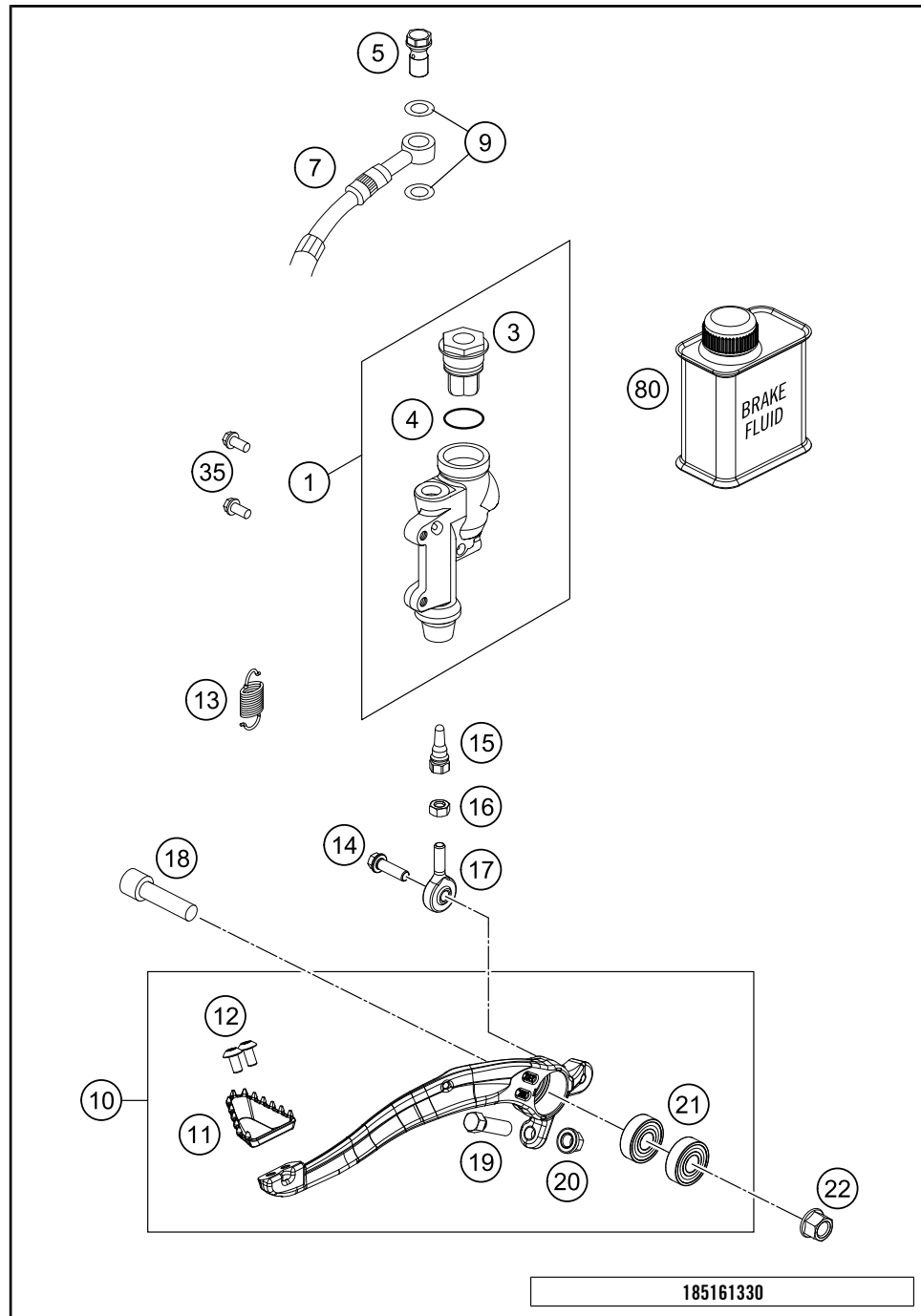
POS	PARTNUMBER	PARTNAME	PIECE
1	77713001044	HAND BRAKE CYLIND. CPL. SX 2014	1
9	77713003000	HAND BRAKE CYL. COVER	1
10	77713008000	REPAIR KIT PISTON SX 2014	1
11	54802005100	CLAMP CPL. 06	1
12	0025060256	HH collar screw M6x25 TX30	2
15	77713006000	LEVER SCREW	1
20	77713002000	HAND BRAKE LEVER +SPRING SX 14 SX WITH SPRING, EXC WITHOUT SP	1
21	77713007000	PUSH ROD CPL. SX 2014	1
23	77713004000	PROTECTION CAP HAND BRAKE CYL.	1
30	59013010000	BRAKEHO. FRONT 1235MM 2000	1
31	54813020100	banjo bolt M10x1x19 black	1
32	0603100141	sealing ring DIN 7603 10x14x1	2
34	54802051000	VALVE	1
80	00062030000	BRAKE FLUID DOT5.1 0,25L	1

147781310

15050

\* NEW PART

X ON DEMAND

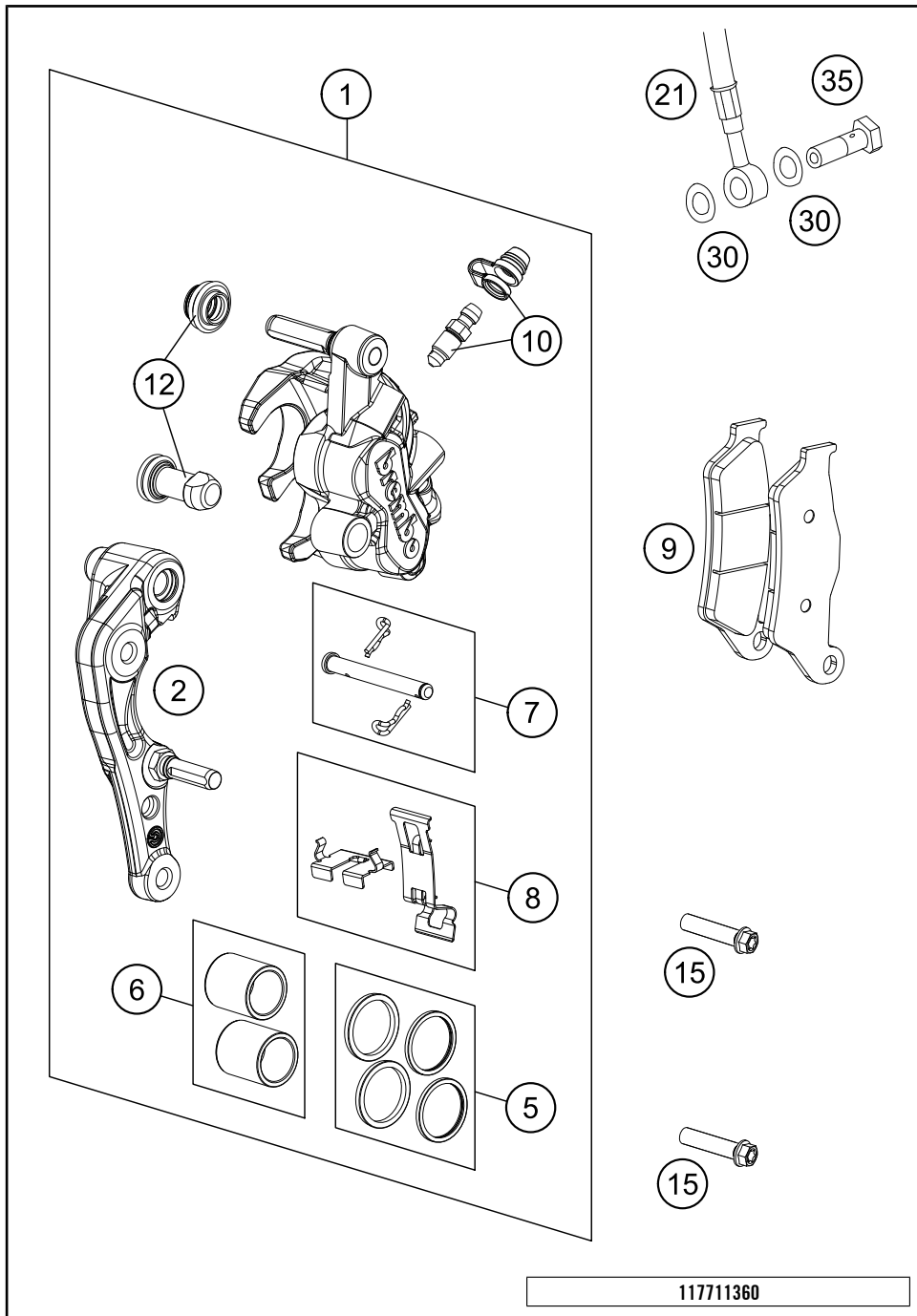


POS	PARTNUMBER	PARTNAME	PIECE
1	77013060044	REAR BRAKE CYLINDER CPL.SX 09	1
3	54813062100	REAR BRAKE CYL. COVER CPL. 04	1
4	54813063000	FOOT-BRAKE CYL. GASKET SX 03	1
5	54813020200	BANJO SCREW 08	1
7	77213070200	Brake hose rear	1
9	0603100141	sealing ring DIN 7603 10x14x1	2
10	79413050044	FOOT BRAKE LEVER CPL.	1
11	79413051000	STEP BRAKE LEVER 16	1
12	78105081010	SCREW TORX M5X10	2
13	79003062000	RETURN SPRING F. BRAKE LEVER	1
14	0025060206S	HH collar screw M6x20 TX30	1
15	54813056000	PUSH ROD L=28MM 03	1
16	0934060003	hex nut DIN 934 M6	1
17	54813055100	Joint head CMP6	1
18	0032100356S	AH-COLLAR SCREW M10X35 ISA45	1
19	59001037000	SPECIAL SCREW M8X26 WS=10	1
20	46030045000	flanged nut M8 WS10	1
21	0625060002	deep groove ball bearing SKF 6000-2RS1	2
22	54630044000	COLLAR NUT M10 WS=13	1
35	0025060126	HH collar screw M6x12 TX30	2
80	00062030000	BRAKE FLUID DOT5.1 0,25L	1

50395
\* NEW PART
X ON DEMAND

# FRONT BRAKE CALIPER

250 SX 2019 EU 2019

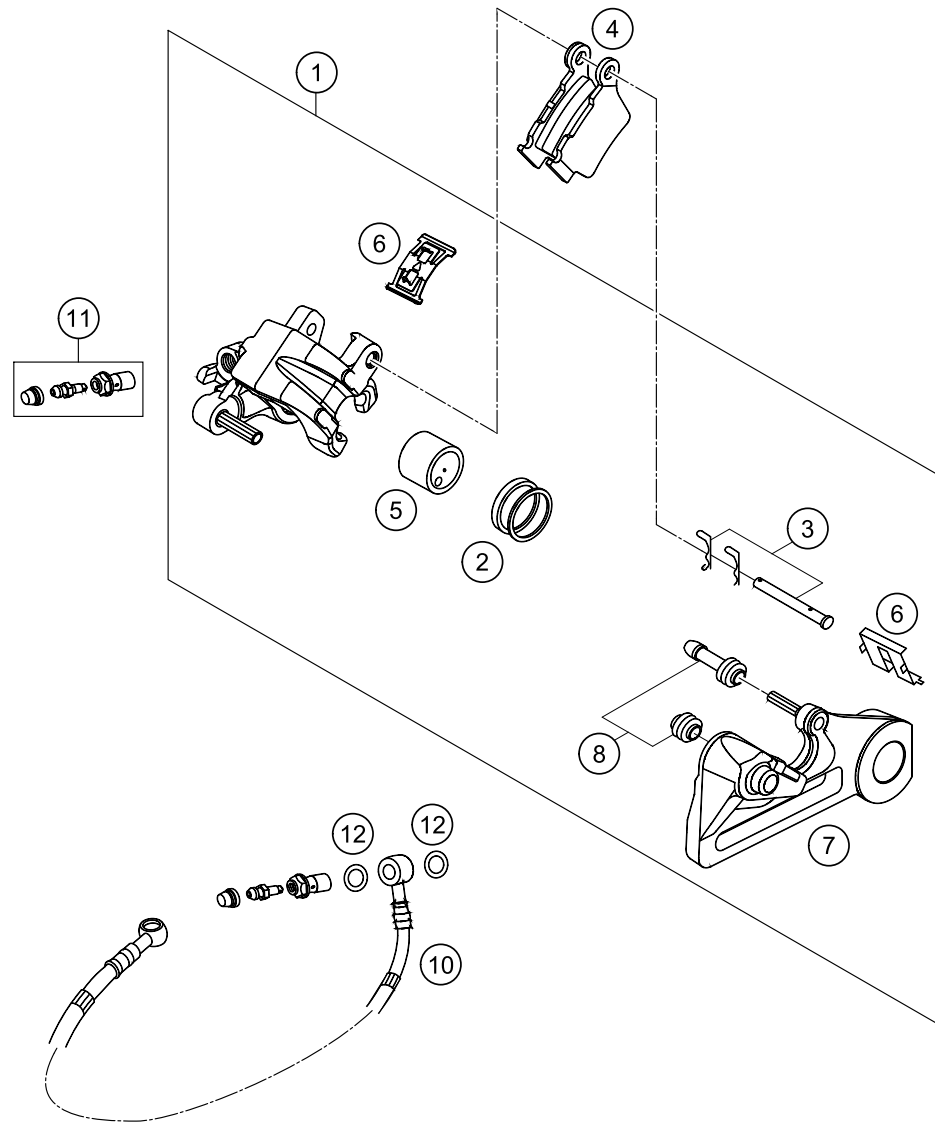


POS	PARTNUMBER	PARTNAME	PIECE
1	7701301500101	CALIPER NAT. WITHOUT PADS	1
2	77013014000	BRAKE CALIPER SUPPORT FRONT 09	1
5	77013021000	REP. KIT SEALS 24MM	1
6	77013019000	REP. KIT PISTON 24MM	1
7	77013017000	BOLT CPL. 09	1
8	77013018000	RETAINING PLATE SET BREMBO	1
9	77713030000	BRAKE PADS FRONT	1
10	61013020100	BLEEDER SCREW WITH CAP	1
12	54613218000	CUP SET SHORT	1
15	0025080306S	HH COLLAR SCREW M8X30 TX40	2
21	59013010000	BRAKEHO. FRONT 1235MM 2000	1
30	0603100141	sealing ring DIN 7603 10x14x1	2
35	50213025000	HOLLOW SCREW M10X1X19	1

117711360

10685

\* NEW PART X ON DEMAND



POS	PARTNUMBER	PARTNAME	PIECE
1	77713080001	BRAKE CAL. REAR - WITHOUT PADS	1
2	50313081200	REPAIR KIT SEALING RINGS 26MM	1
3	54813082000	BOLT SET FOR BRAKE CALIPER 03	1
4	54813090300	BRAKE PAD SET REAR TOYO	x
4	79013090000	BRAKE PAD REAR TOYO B204	1
5	77713083000	BRAKE PISTON 26MM 2013	1
6	54813018000	RETAINING SPRING SET 2003	1
7	77713075000	BRAKE CALIPER BRACKET REAR	1
8	54613218000	CUP SET SHORT	1
10*	77213070300	Rear Brakehose	1
11	62513020000	BLEEDER SCREW CPL. 05	1
12	0603100141	sealing ring DIN 7603 10x14x1	2

187901390

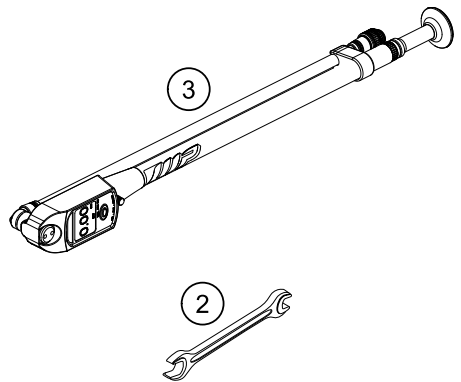
50394

\* NEW PART

X ON DEMAND

0  
OHNE ABBILDUNG  
WITHOUT ILLUSTRATION

1  
TECHNISCHE DOKUMENTATION  
TECHNICAL DOCUMENTATION  
DOCUMENTACION TECNICA  
DOCUMENTATION TECHNIQUE  
NOTE TECNICHE



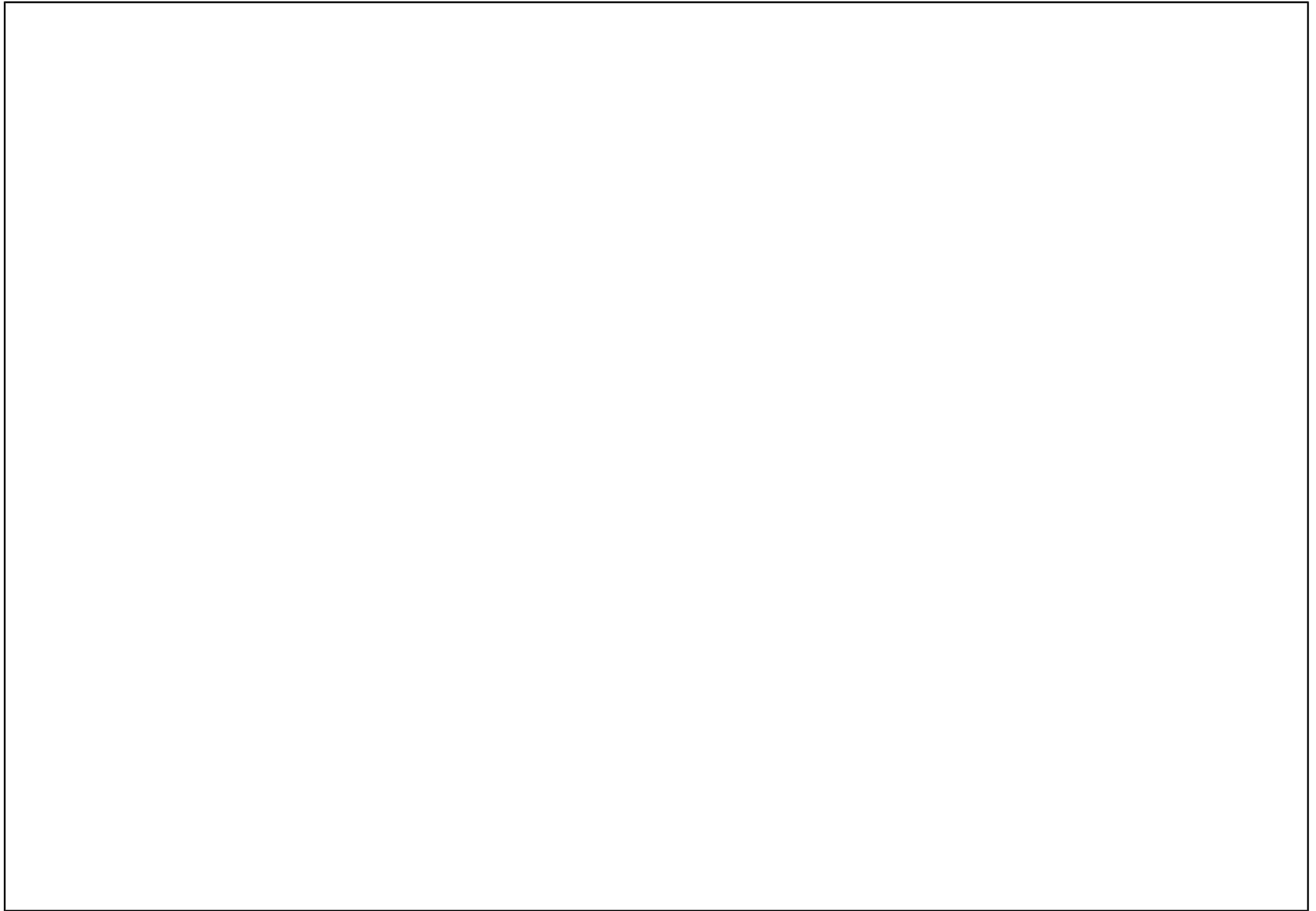
175042000

POS	PARTNUMBER	PARTNAME	PIECE
0	312313	KTM BALLPOINT PEN ORANGE	1
0	3210039	CUSTOMER WELCOME LETTER	1
0	312305	DOCUMENTS BAG 2006	1
0	79003040033	FOOT PEGS SET CPL. 2016	1
0	7910309400030	Frame protection set	1
0	79102002044	Handlebar pad compl.	1
0	50435033000	RADIATOR COVER FULL	1
0	50435033100	RADIATOR COVER HALF	1
0	00063004202	PRINT LABEL 60X51 MM	1
0	20180189INT	Sticker accessory kit	1
0	3212702DE/ENE	PP offroad folder 2017	1
0	3212704ENE	PW Offroad Folder 2017	1
0	52000145	FORK DECAL-SET "AER48"	1
0	00063004012	HEADLIGHT MASK BOX	1
0	50203098000	Sticker "Warning label 4"	1
1	3213424ENE	QUICK INFO KTM SX	1
1	3213848EN	Owner's Manual 250/300 SX/XC 2019	1
2	50329072000	SPOKE-SPANNER WS 7/10	1
3	79412966000	AIRPUMP FOR AIRFORK	1

50663

\* NEW PART X ON DEMAND









WWW.KTM.COM



KTM Sportmotorcycle GmbH  
5230 Mattighofen, Austria  
www.ktm.com



**KTM**\_POWERPARTS

**KTM**\_POWERWEAR

**KTM**\_ORIGINAL SPARE PARTS



F6301S0EN

Art. Nr.: F6301S0EN 27. Mär 2018