

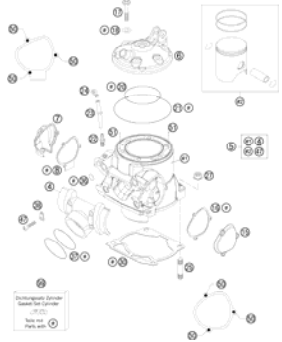
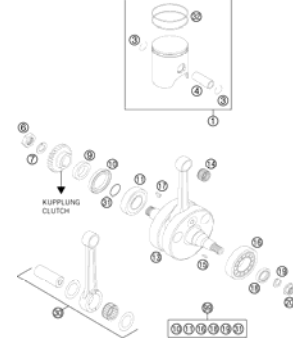
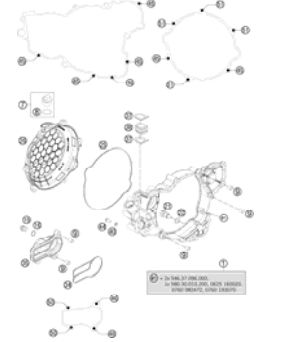
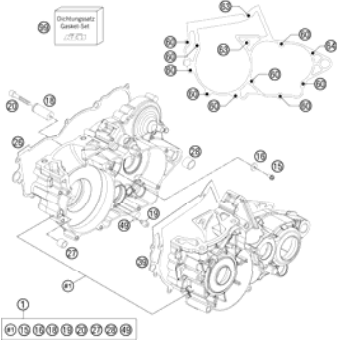
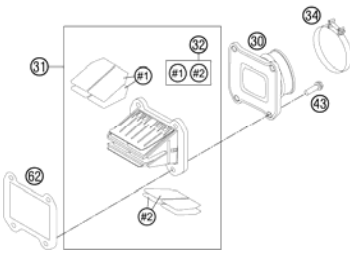

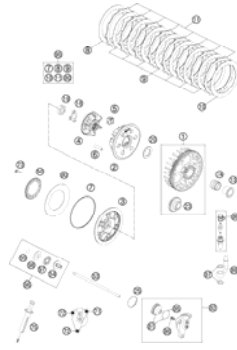
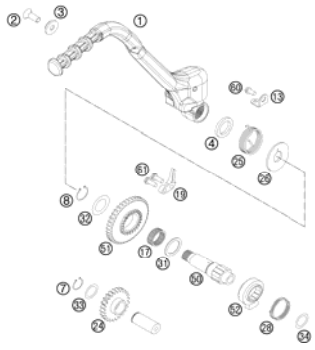
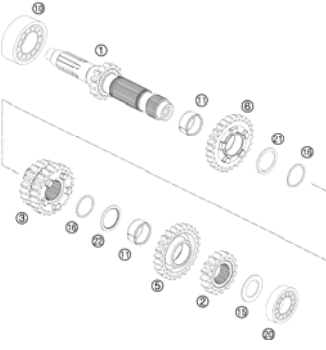
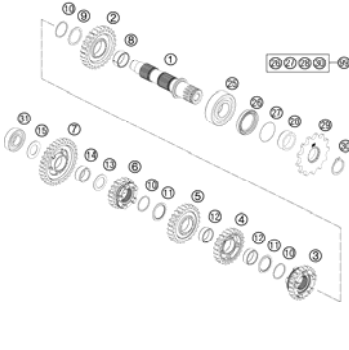
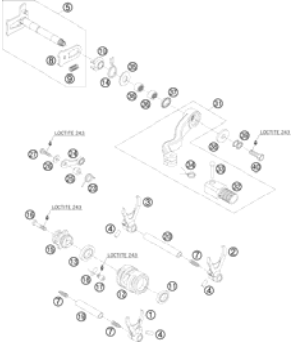
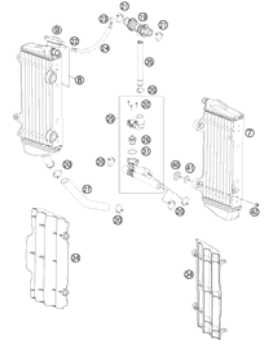
250 EXC 2013

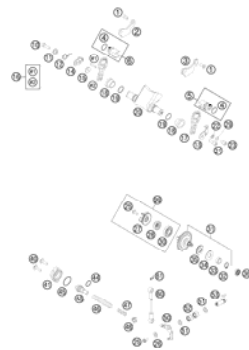
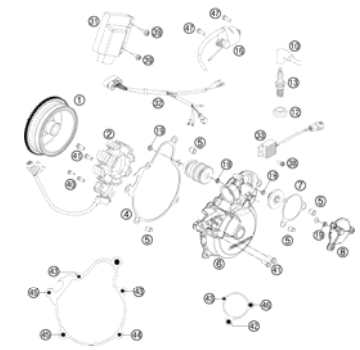
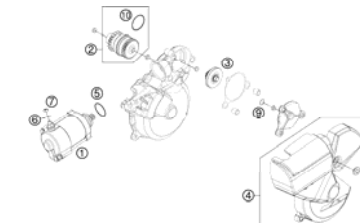
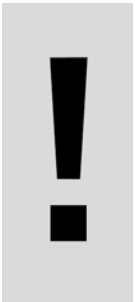
SPARE PARTS MANUAL: ENGINE

ART.NO.: 3CM083685MEN

ENGLISH



<p>CYLINDER, CYLINDER HEAD</p>  <p>3</p>	<p>CRANKSHAFT, PISTON</p>  <p>4</p>	<p>CLUTCH COVER</p>  <p>5</p>	<p>ENGINE CASE</p>  <p>6</p>
<p>REED VALVE CASE</p>  <p>7</p>	<p>CARBURETOR</p>  <p>8</p>	<p>CLUTCH</p>  <p>10</p>	<p>KICK STARTER</p>  <p>12</p>
<p>TRANSMISSION I - MAIN SHAFT</p>  <p>13</p>	<p>TRANSMISSION II - COUNTERSHAFT</p>  <p>14</p>	<p>SHIFTING MECHANISM</p>  <p>15</p>	<p>COOLING SYSTEM</p>  <p>16</p>

<p>EXHAUST CONTROL</p>  <p style="text-align: right;">17</p>	<p>IGNITION SYSTEM</p>  <p style="text-align: right;">19</p>	<p>ELECTRIC STARTER</p>  <p style="text-align: right;">20</p>	
	<div style="display: flex; align-items: center;">  <p>All information contained is without obligation. KTM-Sportmotorcycle AG particularly reserves the right to modify any equipment, technical specifications, prices, colors, shapes, materials, services, service work, constructions, equipment and the like so as to adapt them to local conditions or to cancel any of the above items, all without previous announcement and without giving reasons. KTM may stop manufacturing certain models without previous notice. KTM shall not be held liable for any deviations of availability and/or ability to deliver, illustrations, descriptions, printing and/or other errors. The illustrated models partly contain extra equipment, which is not applied to standard models. © by KTM-SPORTMOTORCYCLE AG, Mattighofen AUSTRIA; All rights reserved; Reprint, also in extracts, with written allowance of KTM-SPORTMOTORCYCLE AG, Mattighofen only.</p> </div>		

CYLINDER, CYLINDER HEAD

250 EXC 2013

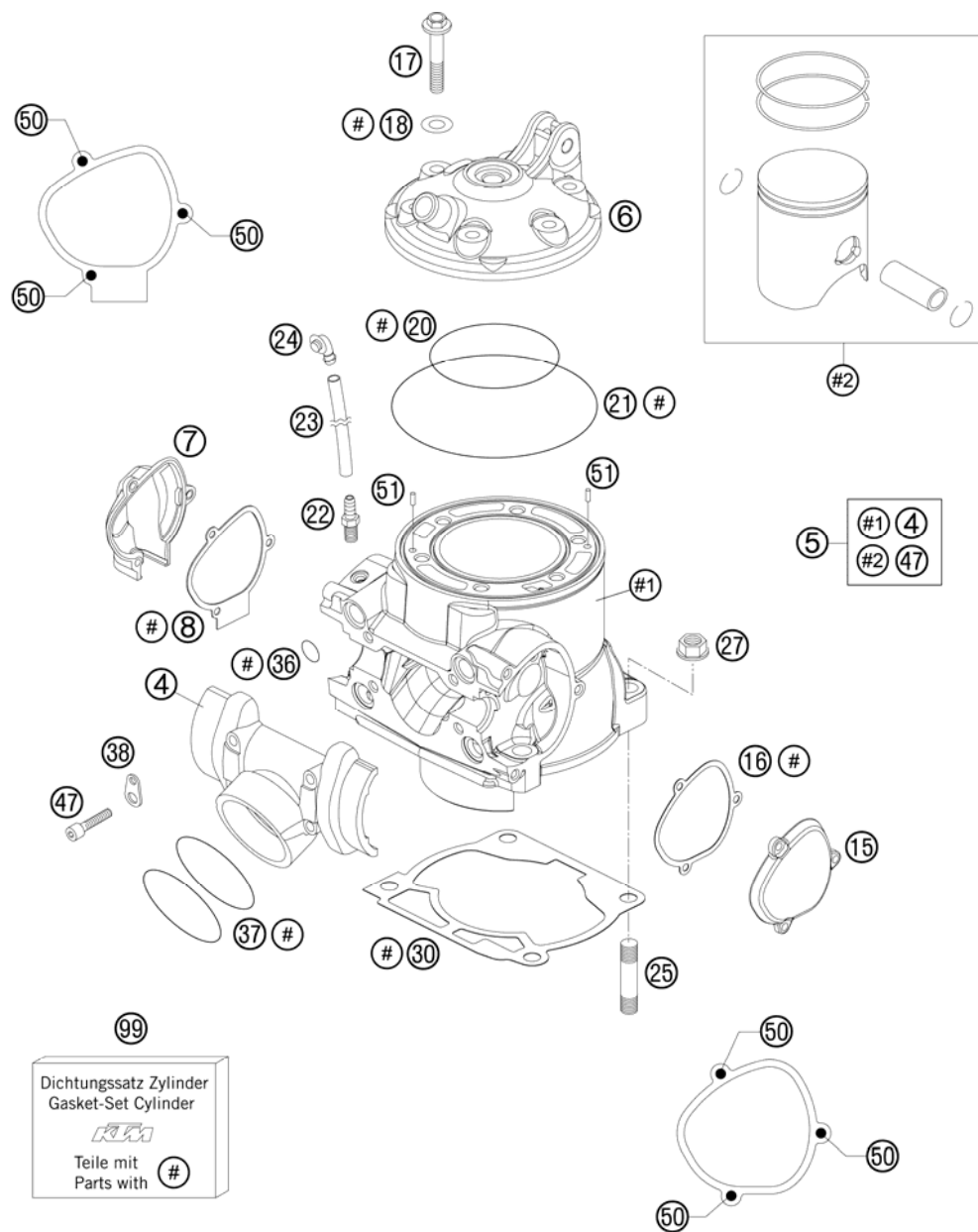


FIG	PART NUMBER	DESCRIPTION	QTY
4	54837001200	INTERMEDIATE FLANGE 250/300 07	1
5	54830038400	CYLINDER + PISTON KPL. 2011	1
6	54830106200	CYLINDER HEAD 250 EXC	1
7	5483700700015	CONTROL COVER R/S 09	1
8	54837008000	GASKET FOR CONTROL COVER R/S	1
15	5483700500015	CONTROL COVER L/S 09	1
16	54837006000	GASKET FOR CONTROL COVER L/S	1
17	54830079000	COLLAR SCREW M 8X35 WS=13	6
18	56530080000	CU-SEAL RING 8 X 16 X 1	6
20	0770730020	O-RING 73,00X2,00 VITON	1
21	0770105020	O-RING 105,00X2,00 07	1
22	58336020090	VACUUM CONNECTION M 6X1	1
23	50335030001	PVC-HOSE 6X9	x
24	50303089000	ANGLE PIECE '97	1
25	0835100351	STUD DIN0835-M10X35	4
27	54630044000	COLLAR NUT M10 WS=13	4
30	54830030002	GASKET CYLINDER BASE 0,2MM 03	x
30	54830030004	GASKET CYLINDER BASE 0,4MM 03	x
30	54830030005	GASKET CYLINDER BASE 0,5MM 03	x
30	54830030025	CYLINDER BASE GASKET 0.25MM	x
30	54830030075	GASKET CYLINDER BASE 0,75MM 03	x
36	0770116241	O-RING 11,3 X2,4 SILICON	4
37	0770440030	O-RING 44,00X3,00 VITON	2
38	51005074000	RETAINING PLATE	2
47	0912060303	AH SCREW DIN0912-M 6X30	4
50	58605083014	SCREW M5X14 TORX 25 07	6
51	0402040980	NEEDLE ROL.DIN5402 NRB 4X9,8	2
99	54830097100	GASKET SET CYL. 250 07-12	x

105483050 / C125483051

* NEW PART

X AS REQUIRED

CRANKSHAFT, PISTON

250 EXC 2013

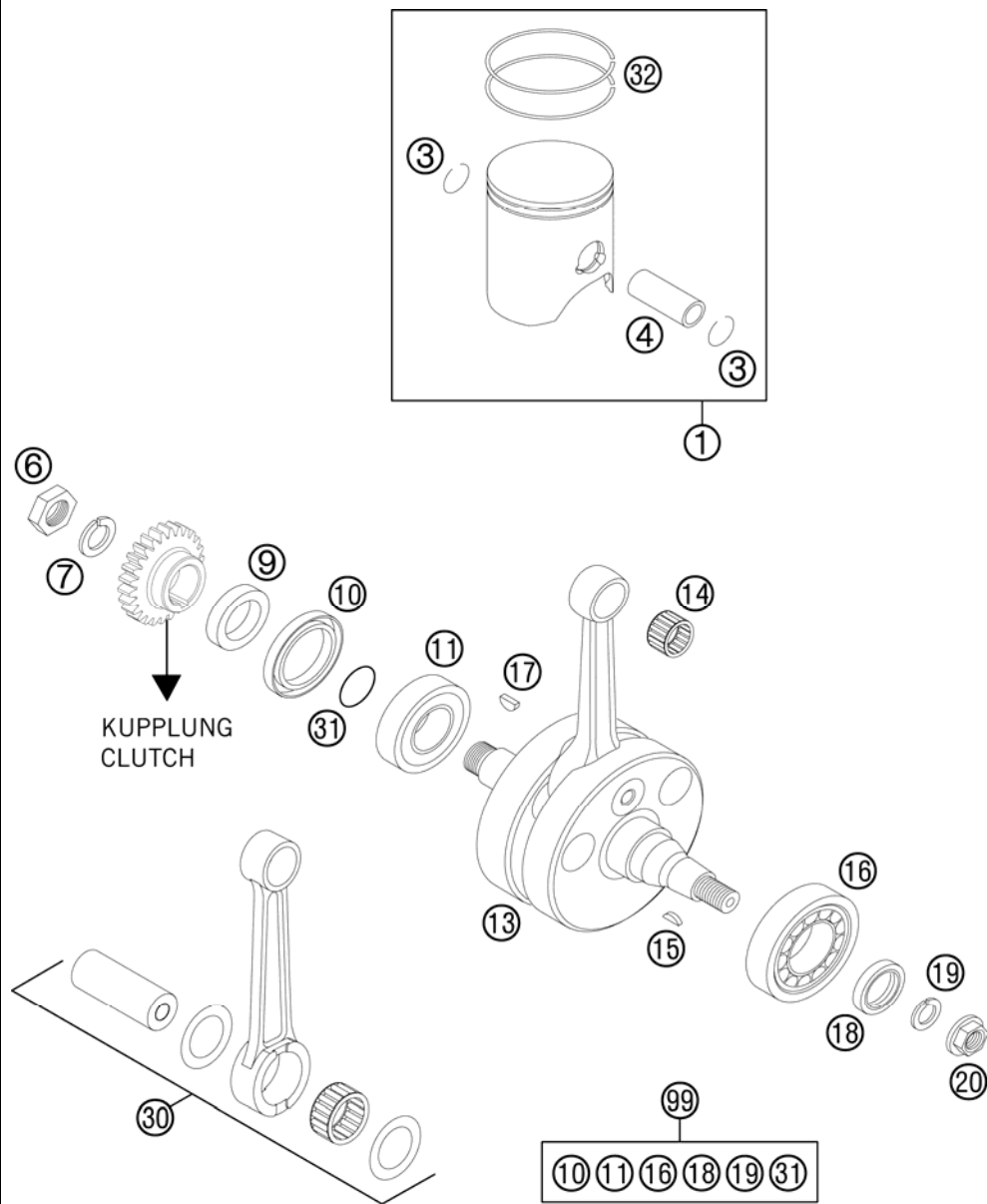


FIG	PART NUMBER	DESCRIPTION	QTY
1	54830007300 I	PISTON I 250 2011	1
1	54830007300 II	PISTON II 250 2011	1
3	54030074000	WIRE LOCK RING C18X1,5	2
4	54830233000	PISTON PIN	1
6	54630029000	HEX.NUT L/SH M18X1,5	1
7	58132072000	LOCK WASHER VSK 18	1
9	54830016000	SPACER SLEEVE 28X38X10 03	1
10	0760385273	SHAFT SEAL RING 38X52X7BTSL	1
11	0625623204	BALL BEARING 32X65X17 NTN	1
13	54830118200	CRANKSHAFT 250/300 EXC-MXC 08	1
14	54430034000	NEEDLE BEARING KBK 18X22X20	1
15	0888030050	WOODRUFF KEY DIN6888-3X5X13	1
16	56530123200	CYLIND.ROL.BEAR. NJ207ET2XCS42	1
17	6946005	WOODRUFF KEY 5X6,5 HARDED	1
18	0760253570	SHAFT SEAL RING 25X35X7 BTSL	1
19	50230029012	LOCKING RING VSK 12	1
20	49030021000	COLLAR NUT M12X1 R/S	1
30	54830015144	CONROD REP. KIT 250/300	1
31	0770250015	O-RING 25,00X1,50 NBR 70	1
32	54830232000	TRAPEZOID RING 250 66,4 MM	2
99	00050002301	CRANKSHAF REP. KIT 250-300	x

115483060 / C125483061

* NEW PART

X AS REQUIRED

CLUTCH COVER

250 EXC 2013

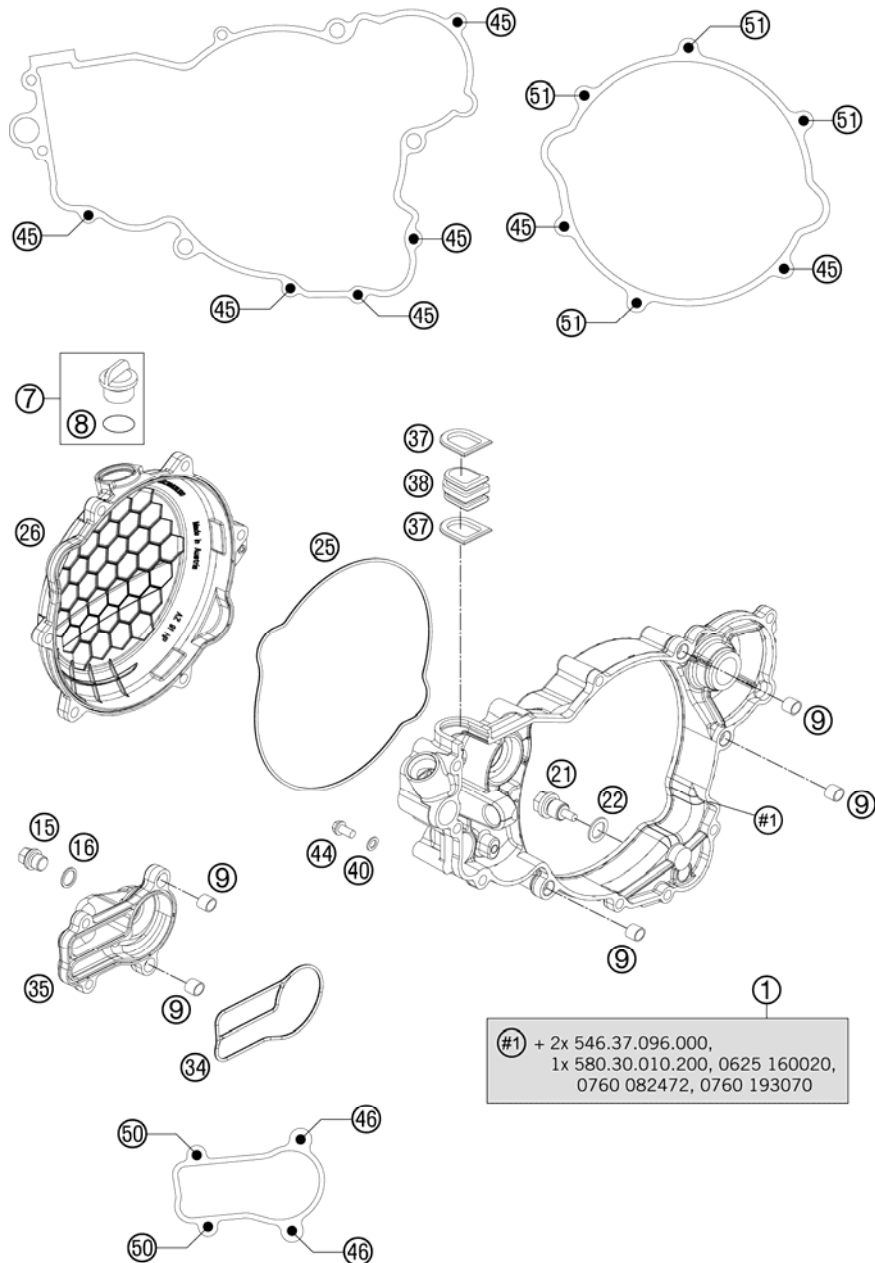


FIG	PART NUMBER	DESCRIPTION	QTY
1*	54830001244	INTERM. CLUTCH COVER CPL.	1
7	58030120000	OIL FILLER CAP M24x3 WITH O-R	1
8	0770191015	O-RING 19,00X3,00 NBR	1
9	49030090000	DOWEL 9,8 X 7 X 10	5
15	0910100003	PLUG DIN0910-M 10X1	1
16	0603100141	COPPER GASKET DIN7603-10X14X1	1
21	58030021000	OILDRAIN PLUG W.MAG. M 12X1,5	1
22	58038022000	CU-SEAL RING DIN7603-12X18X1,5	1
25	54830025000	GASKET F. CLU.COVER 250/300 03	1
26*	5513002610015	CLUTCH OUTSIDE COVER	1
34	54835003000	GASKET WAPU-COVER 250 2003	1
35*	54835001100	WATERPUMP COVER 250/300	1
37	54637107000	SEALING ELEMENT BOTTOM	2
38	54837091100	SEALING CARRIER 07	1
40	0603061001	CU-SEAL RING DIN7603-6X10X1	1
44	0025060126	HH COLLAR SCREW M6X12 TX30	1
45	0025060206	HH COLLAR SCREW M6X20 TX30	7
46	0025060256	HH COLLAR SCREW M6X25 TX30	2
50	0025060556	HH COLLAR SCREW M6X55 TX30	2
51	0025060606	HH COLLAR SCREW M6X60 TX30	4

135483020 / C135483020

* NEW PART

X AS REQUIRED

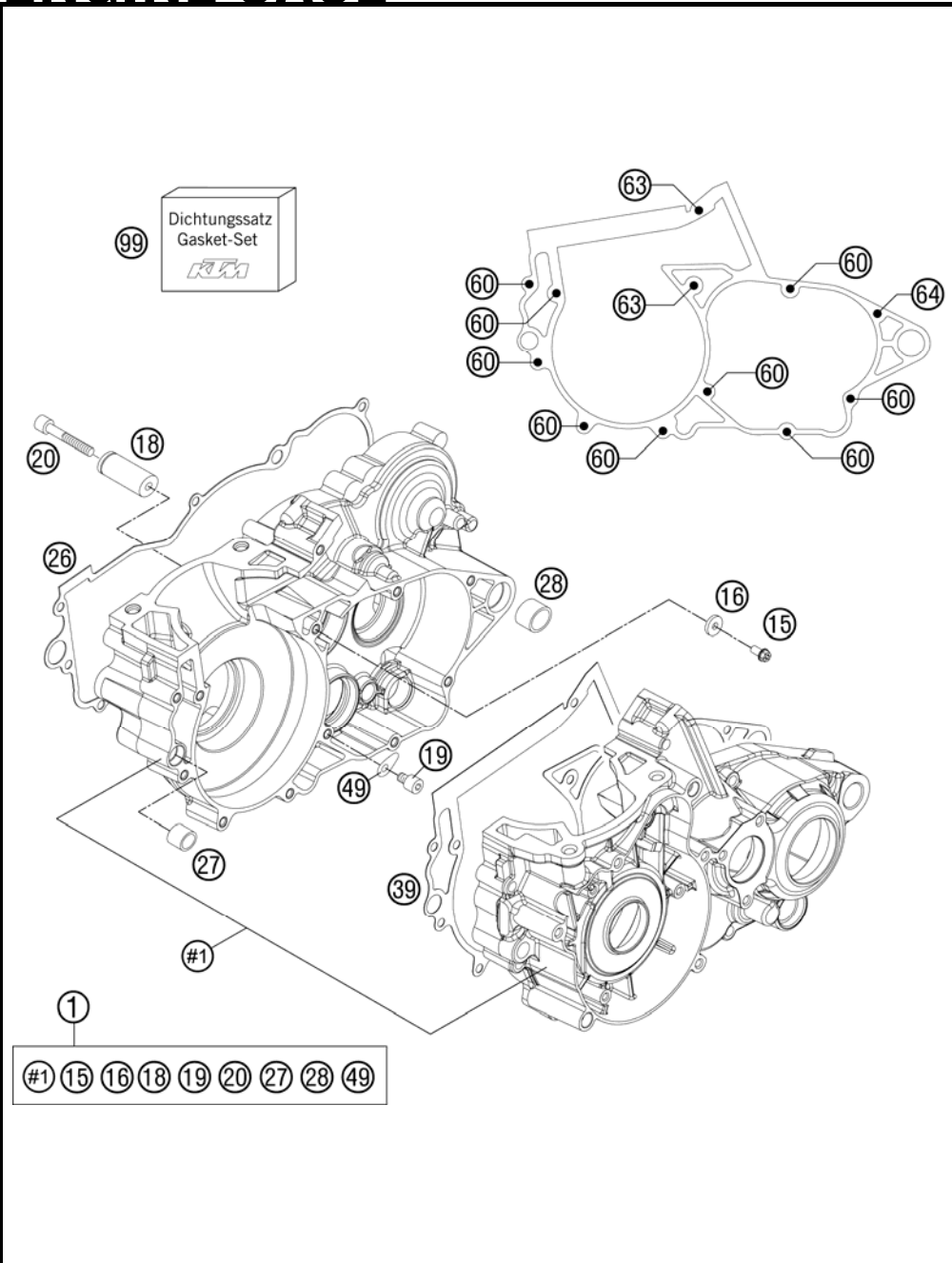


FIG	PART NUMBER	DESCRIPTION	QTY
1*	55130000333	ENGINE CASE CPL. 250/300 13	1
15*	0025060126	HH COLLAR SCREW M6X12 TX30	1
16*	50232050001	STEEL WASHER 6,4X17X3	1
18	59033018000	BUSHING PIN 2000	1
19	0912060123	AH SCREW DIN0912-M 6X12	1
20	0912060404	AH SCREW DIN0912-M 6X40 A2	1
26	54830024000	CLUTCH COVER GASKET 2003	1
27	54630027000	DOWEL BUSHING 13,8X11X12	1
28	54830027000	DOWEL 21X12 03	1
39	54830039000	ENGINE CASE GASKET 2003	1
49	54634049000	RETAINING PLATE	1
60	0025060406	HH COLLAR SCREW M6X40 TX30	9
63	0025060556	HH COLLAR SCREW M6X55 TX30	2
64	0025060606	HH COLLAR SCREW M6X60 TX30	1
99	55130099000	GASKET SET 250/300 08	x

135513010 / C135513010

* NEW PART

X AS REQUIRED

REED VALVE CASE

250 EXC 2013

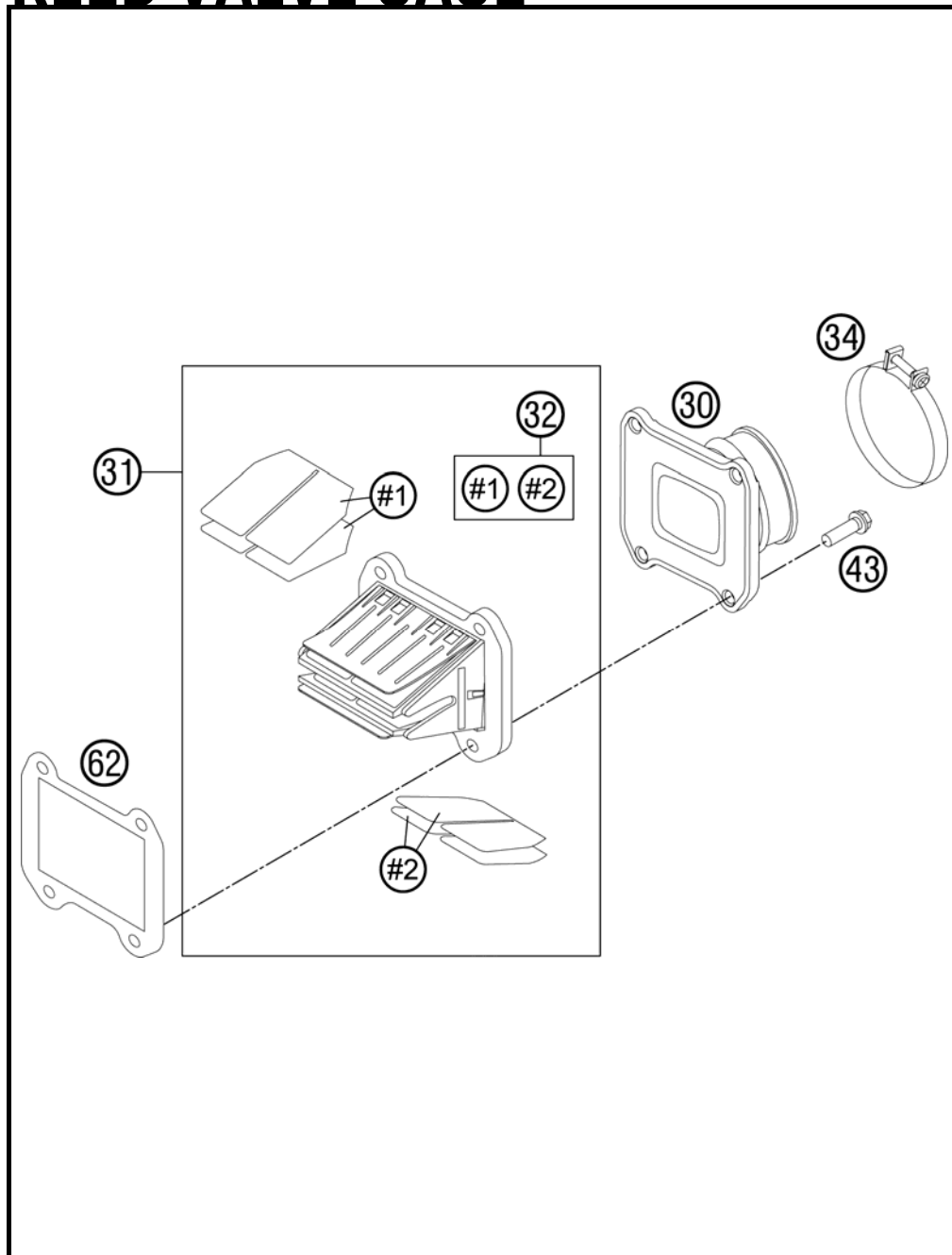


FIG	PART NUMBER	DESCRIPTION	QTY
30	54830050000	INTAKE FLANGE V-FORCE 04	1
31	54830051644	MEMBRAN V-FORCE CPL.	1
32	54830052200	REED VALVE SET V-FORCE 46X64MM	1
34	54330061000	CLAMP 52/12 GEMI	1
43	0025060256	HH COLLAR SCREW M6X25 TX30	4
62	54830062200	GASKET REED VALVE CASE	1

125483070 / C135513070

* NEW PART

X AS REQUIRED

ACHTUNG !!!
Vor dem Einbau des Vergasers,
Bedüsung kontrollieren.

CAUTION !!!
Before mounting the carburetor,
check the jetting.

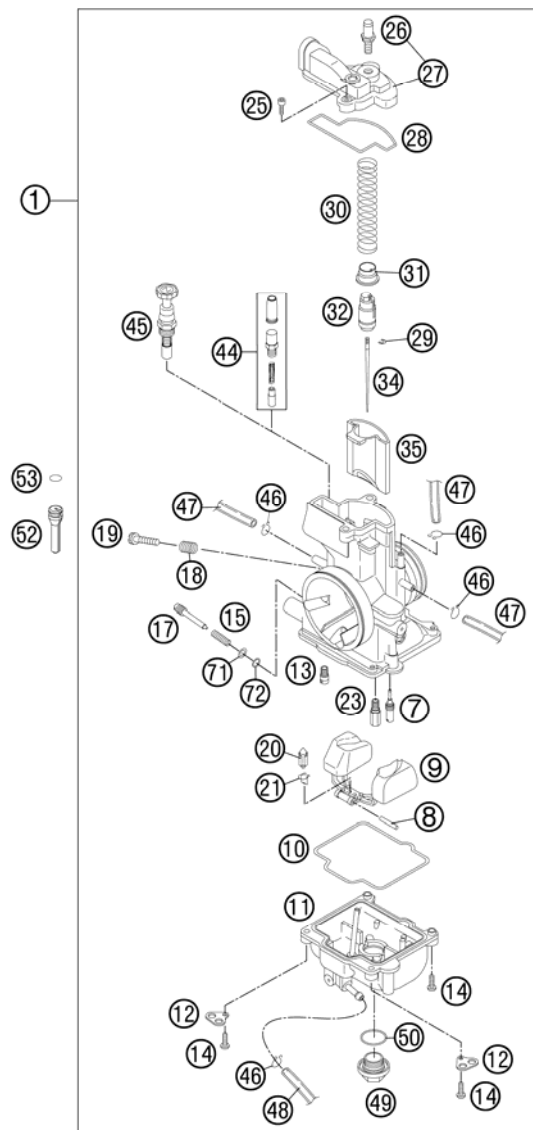


FIG	PART NUMBER	DESCRIPTION	QTY
1	54831201544	CARBURET.KEIH.PWK 36S AG BC5	X
7	54531607035	IDLE JET 35 KEIHIN	X
7	54531607038	IDLE JET 38 KEIHIN	X
7	54531607040	IDLE JET 40 KEIHIN	X
7	54531607042	IDLE JET 42 KEIHIN	X
7	54531607045	IDLE JET 45 KEIHIN	X
7	54531607048	IDLE JET 48 KEIHIN	X
7	54531607050	IDLE JET 50 KEIHIN	X
7	54831007138	IDLE JET SIZE 38X38 KEIHIN	X
8	57331008000	ARM PIN FLOAT	1
9	57331009000	FLOAT CPL.	1
10	54831010000	GASKET FLOAT CHAMBER	1
11	54831011000	FLOAT CHAMBER PWK38-S AG	1
12	54531612100	RETAINING PLATE FOR BLEEDER	2
13	54831051050	STARTER JET 50 KEIHIN	X
13	54831051085	STARTER JET 85 KEIHIN	X
14	0016040163	HH COLLAR SCREW M 4X16 WS=6	4
15	54531615000	SPRING FOR ADJUSTMENT SCREW	1
17	54831017000	STOP SCREW CPL.	1
18	54631118000	SPRING	1
19	54631219100	ADJUSTMENT SCREW M 5	1
20	54631220000	FLOAT NEEDLE	1
21	54531621000	CLAMP	1
23*	54531623110	MAIN JET 110 KEIHIN	X
23	54531623150	MAIN JET 150 KEIHIN	X
23	54531623152	MAIN JET 152 KEIHIN	X
23	54531623155	MAIN JET 155 KEIHIN	X
23	54531623158	MAIN JET 158 KEIHIN	X
23	54531623160	MAIN JET 160 KEIHIN	X
23	54531623162	MAIN JET 162 KEIHIN	X
23	54531623165	MAIN JET 165 KEIHIN	X
23	54531623168	MAIN JET 168 KEIHIN	X
23	54531623170	MAIN JET 170 KEIHIN	X
23	54531623172	MAIN JET 172 KEIHIN	X
23	54531623182	MAIN JET 182 KEIHIN	X

125233110 / C125483110

* NEW PART

X AS REQUIRED

CARBURETOR

250 EXC 2013

ACHTUNG !!! **CAUTION !!!**
 Vor dem Einbau des Vergasers, **!** Before mounting the carburetor,
 Bedüsung kontrollieren. **!** check the jetting.

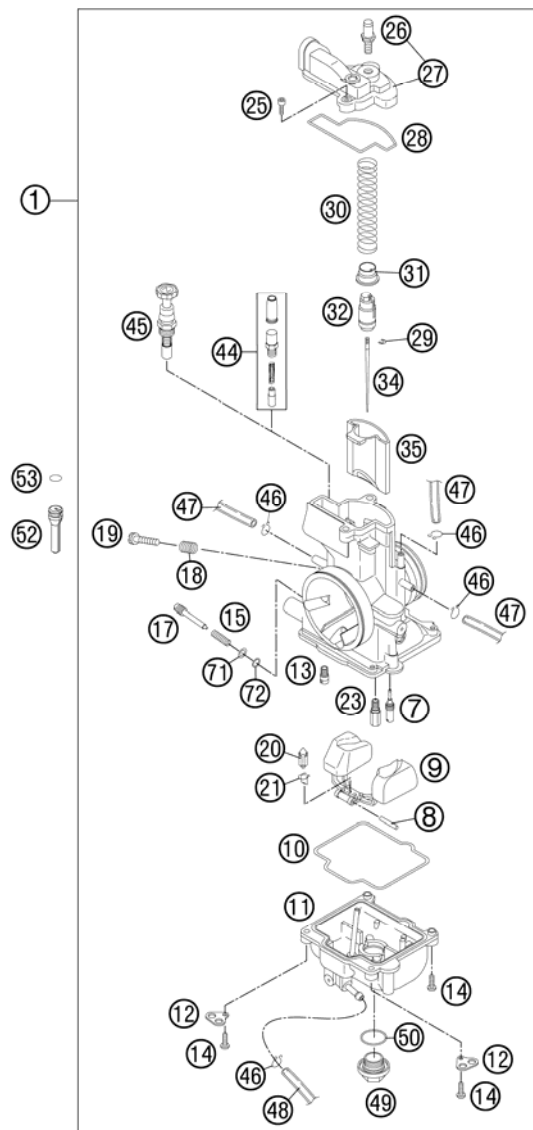


FIG	PART NUMBER	DESCRIPTION	QTY
23	54531623175	MAIN JET 175 KEIHIN	x
23	54531623178	MAIN JET 178 KEIHIN	x
23	54531623180	MAIN JET 180 KEIHIN	x
25	54831025000	SPECIAL-AH-SCREW M 4X12	2
26	54831029000	THROTTLE CALBE HOLDER M6X0,75	1
27	54831127000	CARBURETOR COVER PWK36-S AG	1
28	54831028000	GASKET FOR CARBURETOR COVER	1
29	54531629000	CLIP FOR JET NEEDLE	1
30	54831030000	SLIDING SPRING	1
31	54631231000	SPRING CAP	1
32	54631232000	NIPPLE	1
34	54831034100	JET NEEDLE KEIHIN N84K	x
34	54831035000	JET NEEDLE KEIHIN N8RF 06	x
34	54831035100	JET NEEDLE KEIHIN N8RG 06	x
34	54831035300	JET NEEDLE KEIHIN N8RE 06	x
34	54831035400	JET NEEDLE KEIHIN N8RH 06	x
34	54831035500	JET NEEDLE KEIHIN N8RW 07	x
34	54831035600	JET NEEDLE KEIHIN N8RJ 07	x
34	54831035700	JET NEEDLE KEIHIN N8RK 08	x
34	54831035800	JET NEEDLE KEIHIN N8RL	x
35	54631035000	THROTTLE VALVE 7 FOR 38 PJ '00	1
44	58502096044	CONNECT. COLD START CABLE CPL. ONLY FOR EU	1
45	54631245000	STARTER PISTON CPL.	1
46	54531696000	CLAMP 6 MM	5
47	31007007101	PVC-HOSE 4X6MM	2
48	52031137001	PVC-HOSE 3X5MM	x
49	54531699000	PLUG M 18X1	1
50	0770180230	O-RING 18,00X2,30 NBR 70	1
52	50331029038	SLIDE STOP L=38MM	x
52	52331029000	SLIDE STOP L=36 08	x
53	0770060018	O-RING 6,00X1,78	x
71	54831071000	WASHER ADJUSTING SCREW	1
72	54831072000	O-RING ADJUSTING SCREW	1

125233110 / C125483110

* NEW PART

X AS REQUIRED

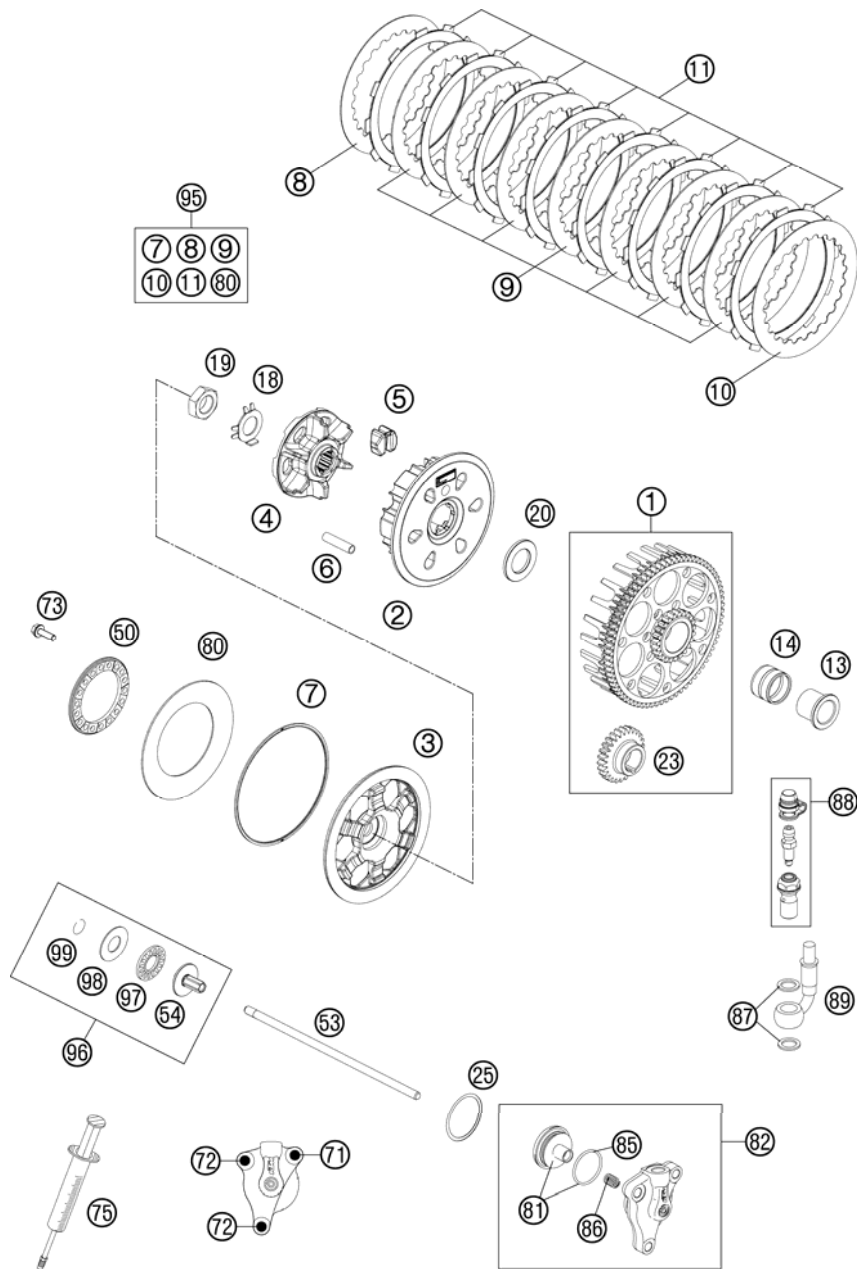


FIG	PART NUMBER	DESCRIPTION	QTY
1*	54832024044	CLUTCH CAGE INCL. PRIM. WHEEL	1
2*	54832002008	INNER CLUTCH HUB	1
3*	78132003000	PRESSURE PLATE	1
4*	54832002111	CLUTCH HUB	1
5*	78132025100	DAMPING RUBBER	6
6*	78132004000	SLEEVE 7,5X33.4	6
7*	78132013000	WASHER 112X118X1.5	1
8*	59032010100	INTERMEDIATE DISC 1MM 2002	1
9*	59032010200	INTERMEDIATE DISC 1,4MM 2002	7
10*	78932010000	INTERMEDIATE DISC 1,2MM	1
11*	54832011100	LINING DISC 1,95 MM	8
13*	54832015000	COLLARSLEEVE	1
14	56532095000	NEEDLE BEARING K26X30X22ZW.KSE	1
18*	78132018000	TAB WASHER	1
19	0936181505	HEXAGON NUT DIN0936-M18X1,5 R.	1
20*	54832009000	WASHER 21.7 X 37 X 2.5	1
23	54832000026	PRIMARY GEAR 26T 2003	1
25	0770300015	O-RING 30,00X1,50 NBR 70	1
50*	54832006000	SPRING RING	1
53*	54832054100	PUSH ROD	1
54*	78032057000	PRESSURE PIECE	1
71	0025060306	HH COLLAR SCREW M6X30 TX30	1
72	0025060206	HH COLLAR SCREW M6X20 TX30	2
73*	0025050166	HH COLLAR SCREW M5X16 TX30	6
75	50329050000	VENT INJEKTION HYDR. CLUTCH	1
80*	78132005000	BELLEVILLE SPRING 71X115X1,5 I	1
81	54832066000	PISTON CPL.	1
82	54832061044	OUTPUT CYLINDER CPL. 06	1
85	54832067000	O-RING	1
86	54832069000	PRESSURE SPRING	1
87	0603100141	COPPER GASKET DIN7603-10X14X1	2
88	62513020000	BLEEDER SCREW CPL. 05	1
89	54832063000	CLUTCH PIPE 06	1
95	54832011110	CLUTCH KIT 250/300 13	x
96*	78032057044	PRESSURE PIECE CPL. 08	1

135483210 / C135483210

* NEW PART

X AS REQUIRED

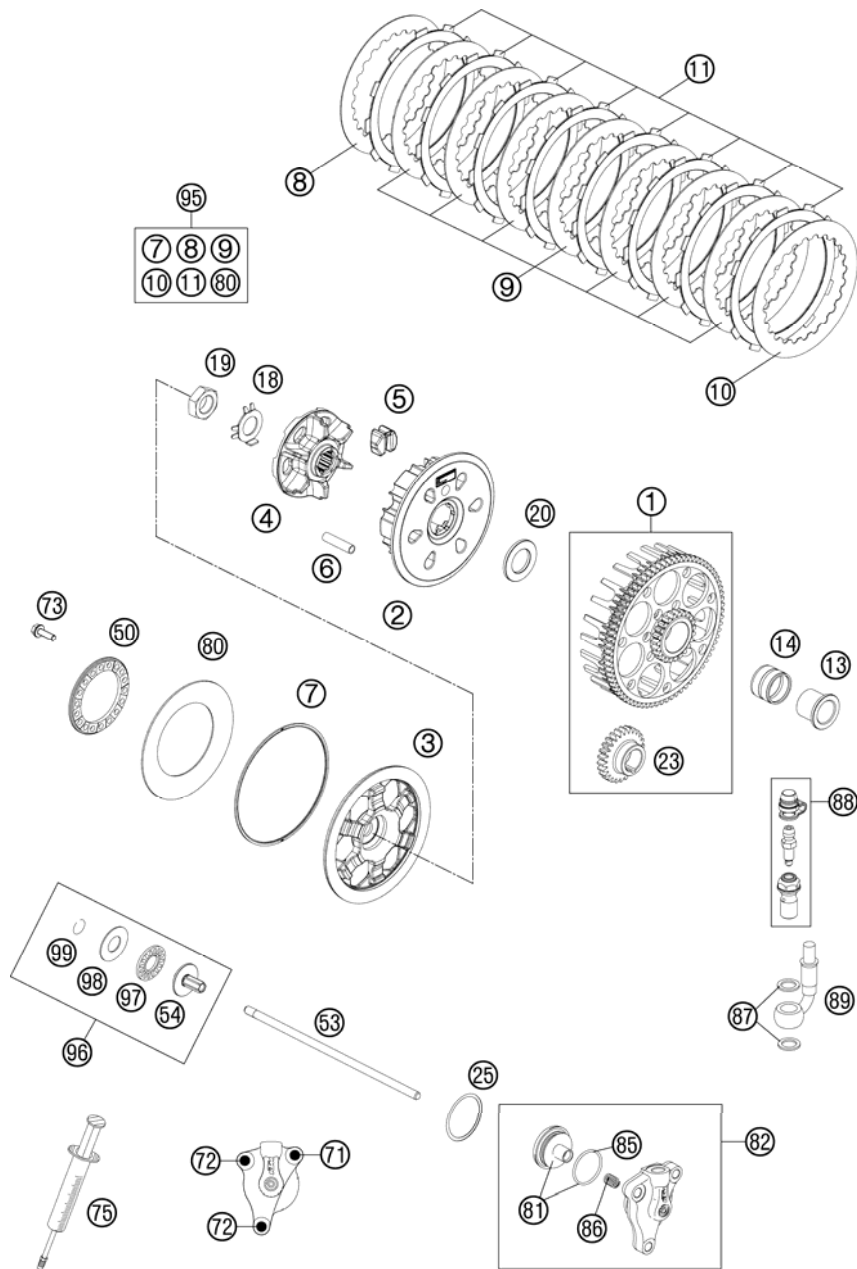


FIG	PART NUMBER	DESCRIPTION	QTY
97	54637097200	AXIAL NEEDLE BEARING AXK 1226	1
98	54637098200	AXIAL WASHER AS1226 12X26X1	1
99	0993012000	CIRCLIP DIN7993-RW12	1

135483210 / C135483210

* NEW PART

X AS REQUIRED

KICK STARTER

250 EXC 2013

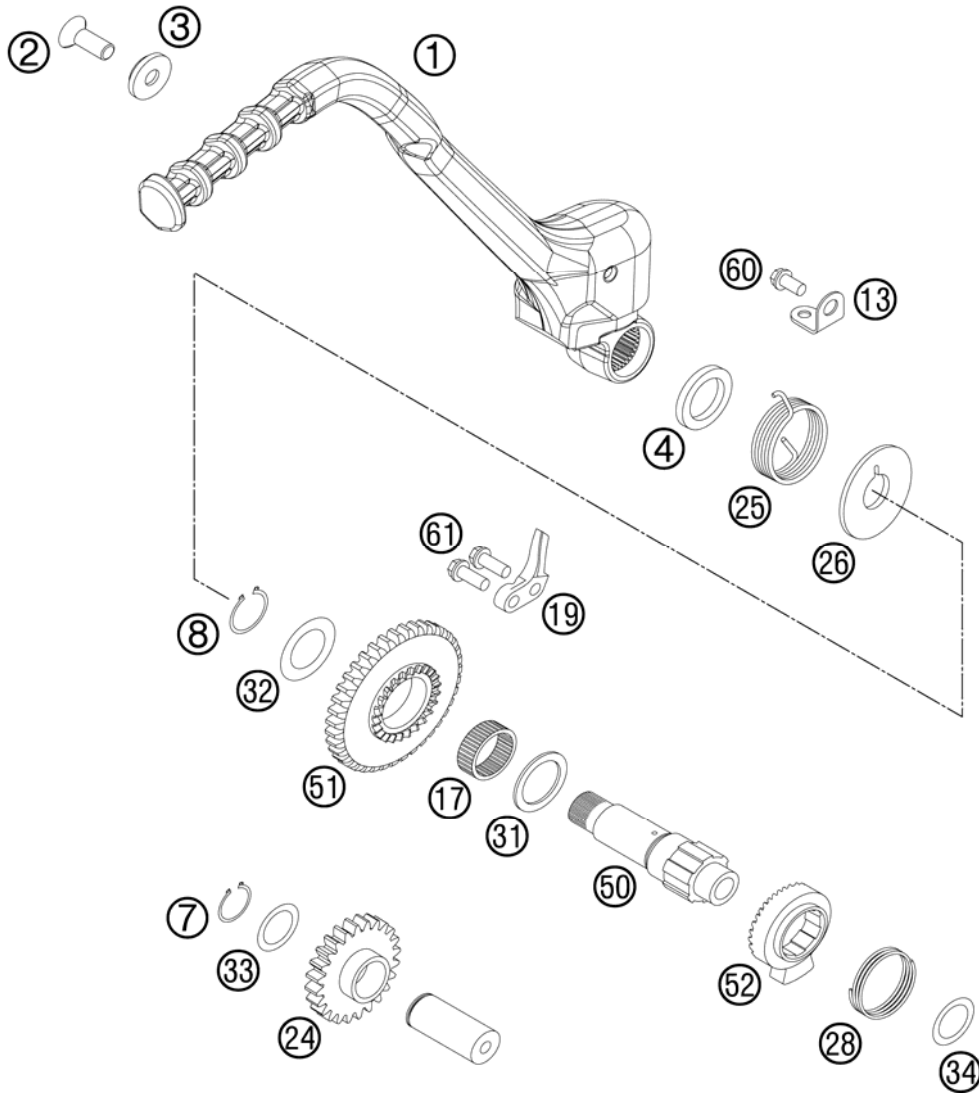


FIG	PART NUMBER	DESCRIPTION	QTY
1	77133070144	KICKSTARTER CPL.	1
2	0019080206S	FLAT HEAD SCREW M. ISA45 M8X20	1
3	54633037000	WASHER 8MM GALVANIZED	1
4	0760193070	SHAFT SEAL RING 19X30X7 B	1
7	0471170010	CIRCLIP DIN0471-17X1	1
8	0471190120	CIRCLIP DIN0471-19X1,2	1
13	54633074000	SPRING HANGER	1
17	0405222610	% NEEDLE BEARING K 22X26X10 A	1
19	59033069000	BUMP PART	1
24	54833024000	INTERMEDIATE GEAR 2003	1
25	54633025000	KICKSTARTER SPRING	1
26	54633026000	DRIVING HUB	1
28	58033028000	RATCHET GEAR SPRING 1,2 MM	1
31	58033031000	STOP DISK 22,2 X 30 X 1,5	1
32	59033080000	SHIM 20X32X1	1
33	54633090000	STOP DISK 17,2X25X1	1
34	0988172405	SHIM WASHER DIN0988-17X24X0,5	1
50	59033050100	KICKSTARTER SHAFT	1
51	54833051034	KICKSTARTER GEAR 34-T 03	1
52	59033052000	RATCHET GEAR KICKSTARTER	1
60	0025060106	HH COLLAR SCREW M6X10 TX30	1
61	0025060206	HH COLLAR SCREW M6X20 TX30	2

115483390 / C125483390

* NEW PART

X AS REQUIRED

TRANSMISSION I - MAIN SHAFT

250 EXC 2013

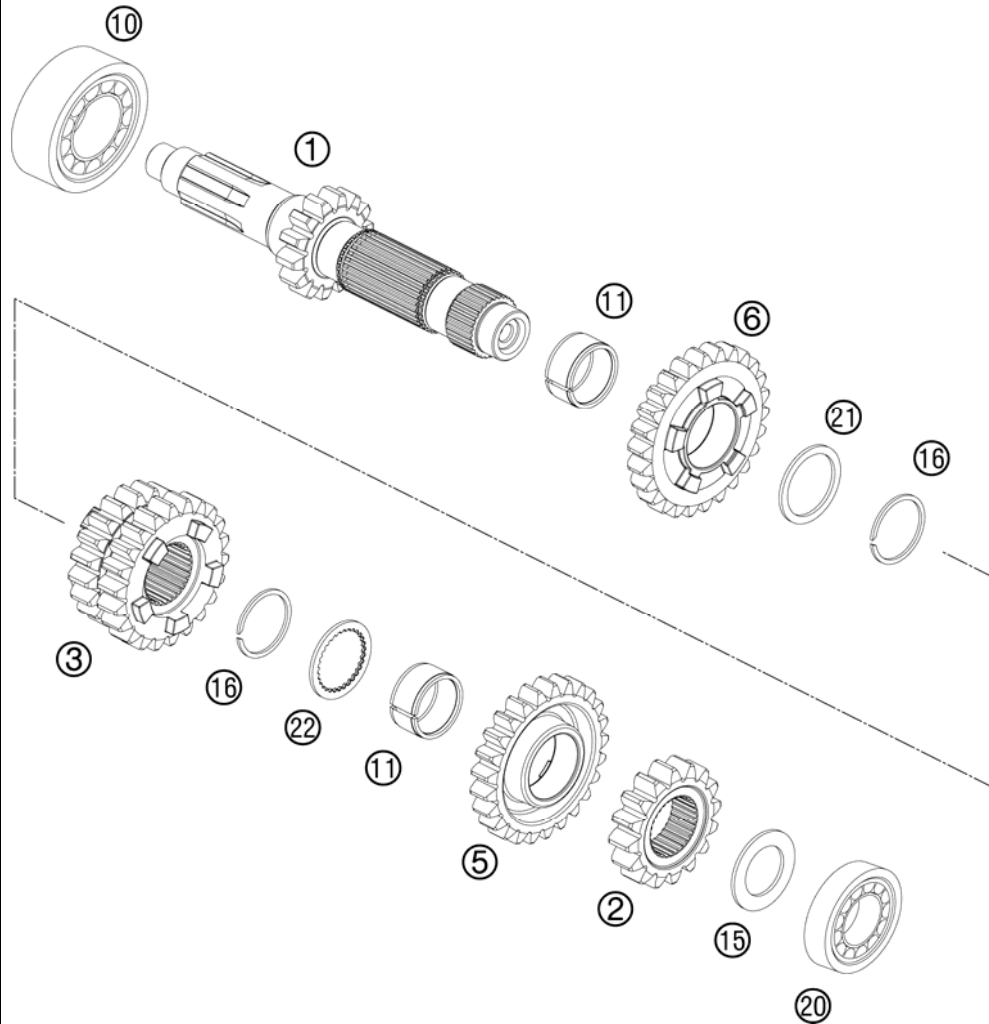


FIG	PART NUMBER	DESCRIPTION	QTY
1*	54833201100	MAIN SHAFT CPL. 14T	1
2	54833202000	SOLID GEAR	1
3	54833203000	SLIDING GEAR 3./4.GANG,Z=20/22	1
5	54833205000	IDLER GEAR 5.G, Z =25	1
6	54833206000	IDLER GEAR 6. G, Z=26	1
10	0625062054	BALL BEARING 6205 C3 NTN	1
11	0405222613	NEEDLE BEAR. K 22X26X13 TN	2
15	54633015000	STOP DISK 20,2X33X1,5	1
16*	0417024000	CIRCLIP WS24	2
20	0625160040	GROOVED BALL BEAR. TM 16004 C3	1
21	54833044000	STOP DISC 25X31X1,5	1
22	54833043000	STOP DISC 25X0,8X30X30X7H	1

125483330 / C135513330

* NEW PART

X AS REQUIRED

TRANSMISSION II - COUNTERSHAFT

250 EXC 2013

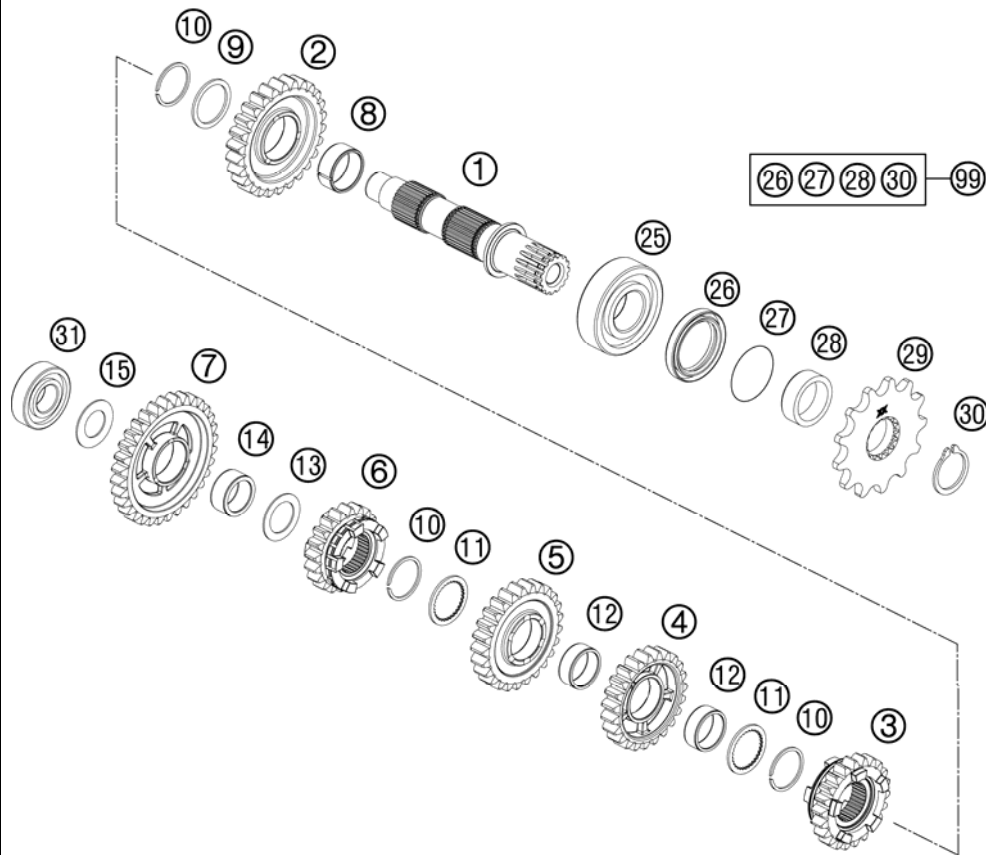


FIG	PART NUMBER	DESCRIPTION	QTY
1*	54833210100	COUNTER SHAFT CPL.	1
2	54833212000	IDLER GEAR 2. G., Z=26	1
3	54833215000	SLIDING GEAR 5.G., Z=22	1
4	54833214000	IDLER GEAR 4.G., Z=23	1
5	54833213000	IDLER GEAR 3.G., Z= 25	1
6	54833216000	SLIDING GEAR 6.G., Z=20	1
7	54833211000	IDLER GEAR 1. G, Z=32	1
8	0405242812	NEEDLE BEAR. K24X28X11,9 DIV.	1
9	54833044000	STOP DISC 25X31X1,5	1
10*	0417024000	CIRCLIP WS24	3
11	54833043000	STOP DISC 25X0,8X30X30X7H	2
12	0405222611	NEEDLE BEAR.K 22X26X10 DIVIDED	2
13	54833080000	STOP DISC 20,2X30X1	1
14	0405202612	NEEDLE BEARING K 20X26X12	1
15	56033030000	STOP DISC 17,2X30X1	1
25	54833025000	BALL BEARING TM-SC05C20C4 NTN	1
26	0760324571	SHAFT SEAL RING 32X45X7 BSLNBR	1
27	0770250020	O-RING 25,00X2,00 NBR 70	1
28	54833032011	SPACER SLEEVE DRIVE END 2003	1
29	50033029013	FRONT SPROCKET 13-T	x
29	50033029014	FRONT SPROCKET 14-T	x
30	52033096000	LOCK RING DIN0471-25X1,64SD	1
31	0625062035	BALL BEARING 6203 JR2 C3	1
99	00050000940	COUNTER SHAFT REP.KIT 2 STROKE	x

115483360 / C135513360

* NEW PART

X AS REQUIRED

SHIFTING MECHANISM

250 EXC 2013

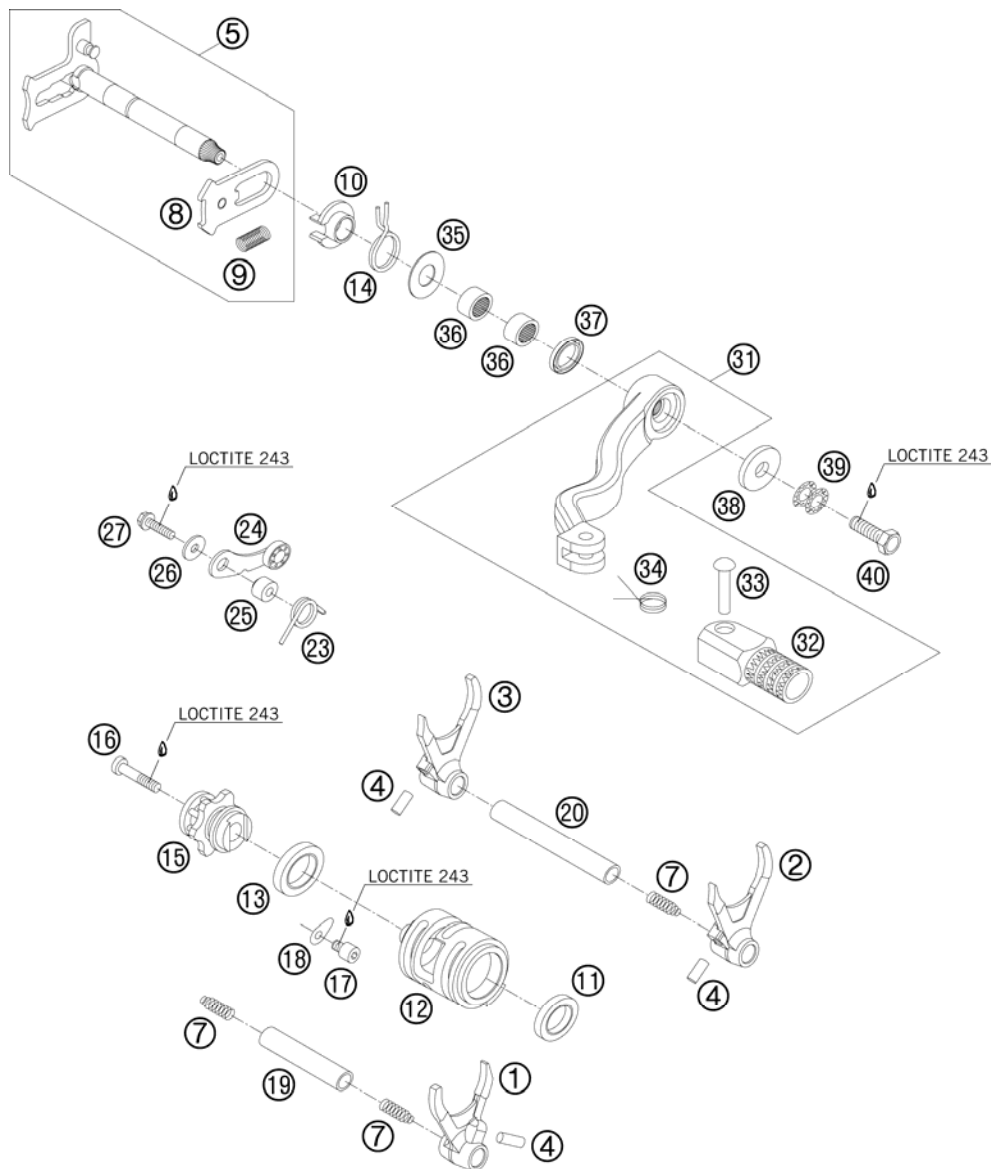


FIG	PART NUMBER	DESCRIPTION	QTY
1	54834001000	SHIFTING FORK 4TH/5TH GEAR 03	1
2	54834002000	SHIFTING FORK 2ND GEAR 03	1
3	54834003000	SHIFTING FORK 1ST/3RD GEAR 03	1
4	0402061480	NEEDLE ROLLER DIN5402 6X14,8	3
5	54834005044	SHIFTING SHAFT CPL. 03	1
7	58038023200	PRESSURE SPRING 0,9MM	3
8	54634008044	SLIDING PLATE CPL.	1
9	56534013100	TENSIONING SPRING 0,8MM	1
10	54634020000	SPRING GUIDE	1
11	0625069034	BALL BEARING 6903 C4	1
12	54834012000	SHIFT ROLLER 03	1
13	0625618050	BALL BEARING 61805 C3	1
14	54834014000	RETURN SPRING 03	1
15	54834015033	SHIFT DRUM LOC. CPL. 250/300	1
16	0912060303	AH SCREW DIN0912-M 6X30	1
17	0912060083	AH SCREW DIN0912-M 6X 8	1
18	54634049000	RETAINING PLATE	1
19	54834019000	SHIFT. RAIL MAIN SHAFT 250/300	1
20	54834020000	SHIFT. RAIL C. SHAFT 250/300	1
23	54834023000	LOCKING LEVER SPRING 03	1
24	50334024144	LOCATING LEVER CPL. 08	1
25	54634052300	SLEEVE FOR LOCKING LEVER	1
26	0349000050	WASHER DIN7349-5X15X2	1
27	0025050206	HH COLLAR SCREW M5X20 TX30	1
31	54834031000	SHIFT LEVER CPL. 250/300 05	1
32	54634131000	STEP PLATE FOR SHIFT LEVER 250	1
33	54634031050	BOLT 6X25 FOR SHIFT LEVER	1
34	54634032100	SHIFTING LEVER SPRING 250	1
35	54634050000	STOP DISK 14X30X1	1
36	54632095000	NEEDLE BEAR.HK 1412 14X20X12	2
37	0760142460	SHAFT SEAL RING 14X24X6 B	1
38	50232050001	STEEL WASHER 6,4X17X3	1
39	50233041000	PAIR OF WASHERS M 6 NORDLOCK	1
40	59009062016	SPECIAL SCREW M6X16 WS=8 10.9	1

085483410 / C135483410

* NEW PART

X AS REQUIRED

COOLING SYSTEM

250 EXC 2013

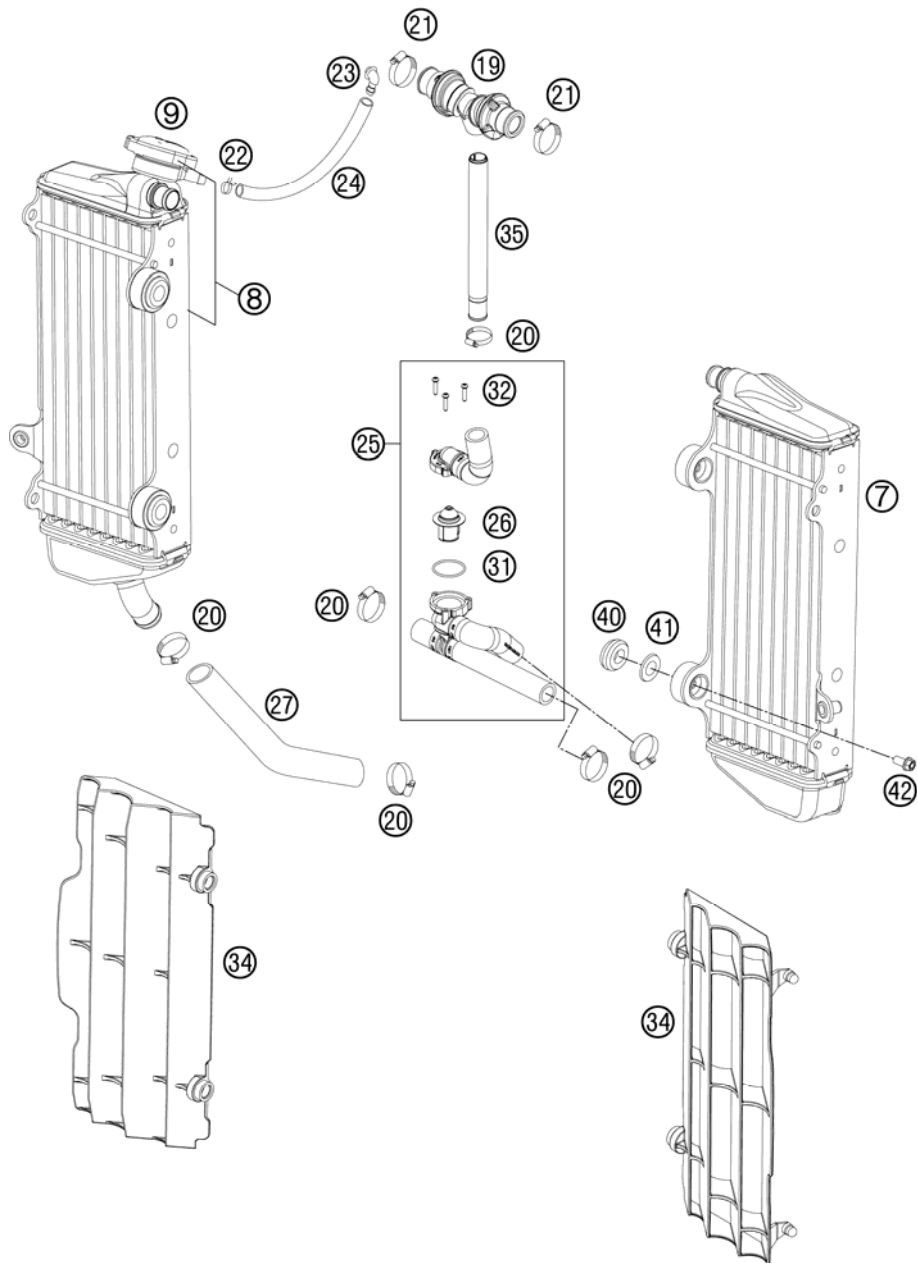


FIG	PART NUMBER	DESCRIPTION	QTY
7	54835007300	RADIATOR L/S "55562"	11
8	54835008400	RADIATOR R/S "55620"	11
9	77335016000	RADIATOR CAP SMALL 1,8 BAR	1
19	77235071044	Y-CONNECOTOR CPL.	1
20	10001020000	HOSE CLAMP GEMI 16-27	6
21	42013037400	HOSE CLAMP NORMA 12/24	2
22*	59007017000	CLAMP YDNAC 10096F (9,6MM)	1
23	50303089000	ANGLE PIECE '97	1
24	50335030001	PVC-HOSE 6X9	x
25	54835526033	RADIATOR HOSE W. THERMO. 12	1
26	54835017000	THERMOSTAT 55°C 2004	1
27	54835027000	RADIATOR HOSE 18X25X130 MM 03	1
31	0770320020	O-RING 32,00X2,00	1
32	0016040183	SCREW FOR PLASTIC D=4X18	3
34	7733503400004	RADIATOR PROTECTION L/S+R/S SX	x
34	7733503400030	RADIATOR PROTECTION BLACK 07	2
35	54835072000	HOSE CONNECTOR 2 STROKE 07	1
40	41001052000	RUBBER SLEEVE D=12MM	4
41	77335001000	WASHER FOR RADIATOR 08	4
42	0023060123	COLLAR SCREW M6X12 TX	4

125033531 / C135513530

* NEW PART

X AS REQUIRED

EXHAUST CONTROL

250 EXC 2013

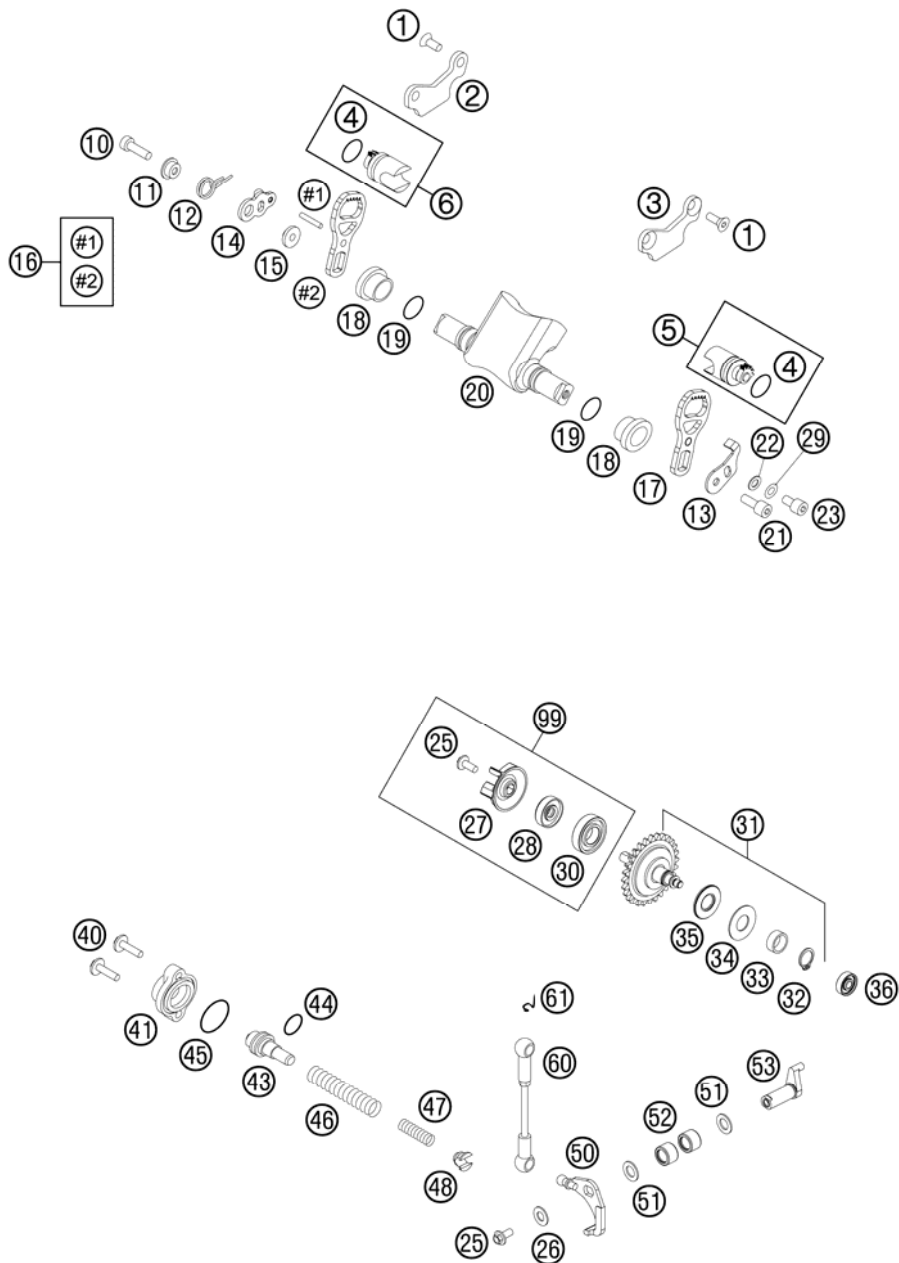


FIG	PART NUMBER	DESCRIPTION	QTY
1	0019050106	INT. TORX FLAT HEAD M5X10 10.9	4
2	54837062000	RETAINING PLATE R/S 07	1
3	54837063000	RETAINING PLATE L/S 07	1
4	0770160021	O-RING 16,00X2,00 VITON	2
5	54837061044	CONTR.VALVE L/S CPL. 07	1
6	54837061144	CONTR.VALVE R/S CPL. 07	1
10	0912060203	AH SCREW DIN0912-M 6X20	1
11	54637067000	SPRING SLEEVE	1
12	54637066000	OVERLOAD SPRING	1
13	54637085300	RETAIN.PLATE CONTROL FLAP '92	1
14	54637065000	CONTROL LEVER WITH BALL TYPE	1
15	54637068100	BUSHING SLEEVE	1
16	54837064144	GEAR SEGMENT CPL. RIGHT 07	1
17	54837064150	GEAR SEGMENT L/S 250 07	1
18	54737019000	BEAR. SLEEVE F.CONTROL FLAP'97	2
19	0770150151	O-RING 15,00X1,50 VITON	2
20	54837020200	CONTROL CLAP 250 07	1
21	0912060163	AH SCREW DIN0912-M 6X16	1
22	54637056100	WASHER 6,5X11X2	1
23	0912060083	AH SCREW DIN0912-M 6X 8	1
25	0014050123	HH COLLAR SCREW M 5X12 WS=6	2
26	0349000050	WASHER DIN7349-5X15X2	1
27	54835005000	WATER PUMP WHEEL 07	1
28	0760082472	SHAFT SEAL RING 8X24X7 A DUO	1
29	0137060003	SPRING WASHER DIN0137-B 6	x
30	0625160020	BALL BEARING 16002 C3	1
31	54837050044	CENTRIFUGAL TIMER CPL. 250/300	1
32	0471120010	CIRCLIP DIN0471-12X1	1
33	54837054000	DISTANCE BUSH. CENTRIFUG.TIMER	1
34	54637071010	AXIAL WASHER AS1226	1
35	54637097200	AXIAL NEEDLE BEARING AXK 1226	1
36	54637098100	BALL BEARING 626LLBC3/5K	1
40	0014050203	HH COLLAR SCREW M 5X20 WS=6	2
41	54637070100	COVER LID 250-380'98	1
43	54837075000	SPRING GUIDE 250/300	1

115483710 / C135483710

* NEW PART

X AS REQUIRED

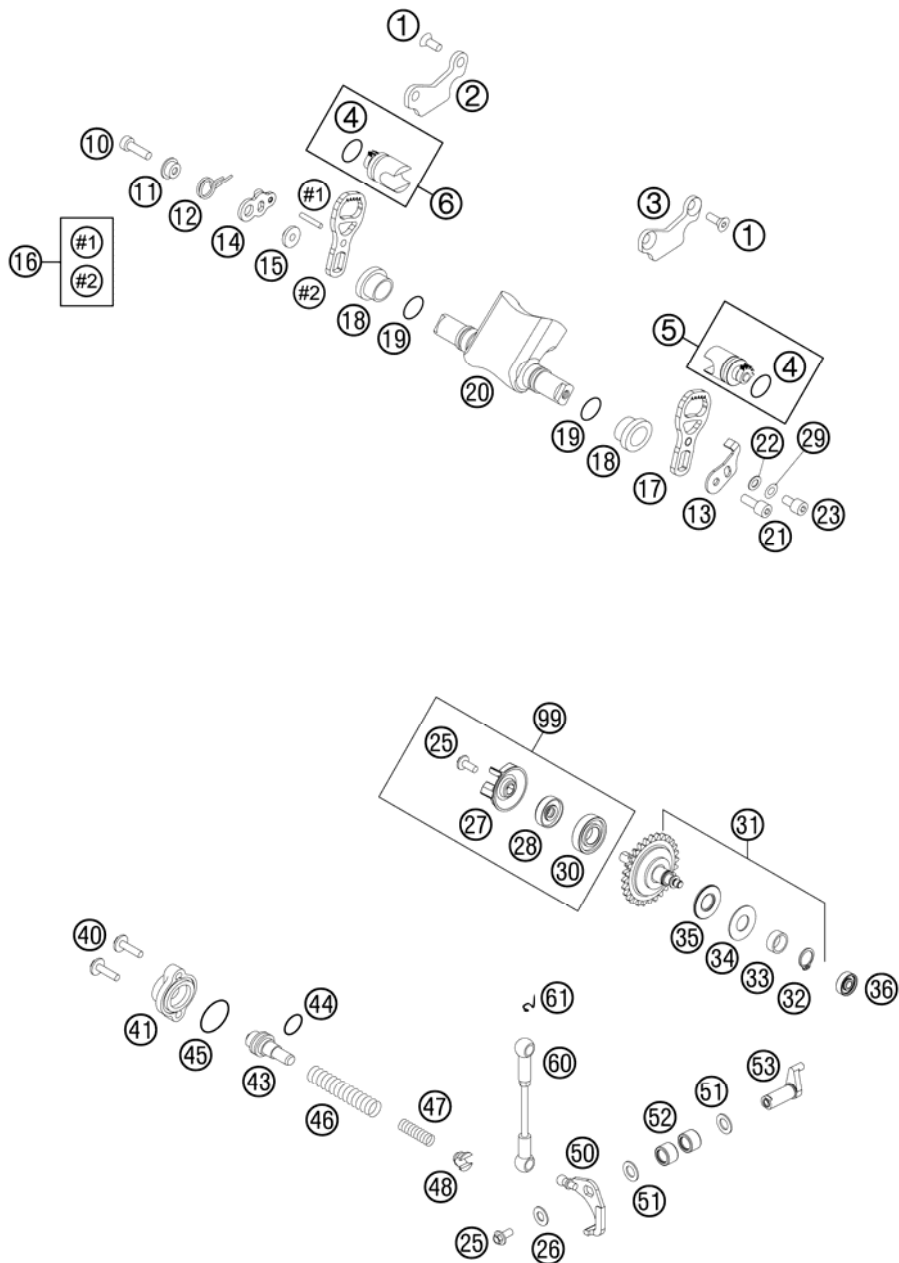


FIG	PART NUMBER	DESCRIPTION	QTY
44	0770021120	O-RING 12,37X2,62 NBR70	1
45	0770240020	O-RING 24,00X2,00 NBR70	1
46	54837069000	ADJUST. SPRING 2003	1
47	54637072300	AUXILIARY SPRING MID., YELLOW	1
47	54837072000	AUXILIARY SPRING SOFT, RED	x
47	54837072100	AUXILIARY SPRING HARD, GREEN	x
48	54637071200	SPRING INSERT	1
50	54637055244	ANGLE LEVER CPL. '91	1
51	0988101610	SHIM WASHER DIN988 10X16X1	2
52	54637096000	NEEDLE SLEEVE HK 1010	2
53	54837057000	CONTROL LEVER 03	1
60	54637095444	CONNECTING ROD CPL.	1
61	50237195055	SECURING DIN-71805-S-8	2
99	54835055110	WATER PUMP REP. KIT EXC	x

115483710 / C135483710

* NEW PART

X AS REQUIRED

IGNITION SYSTEM

250 EXC 2013

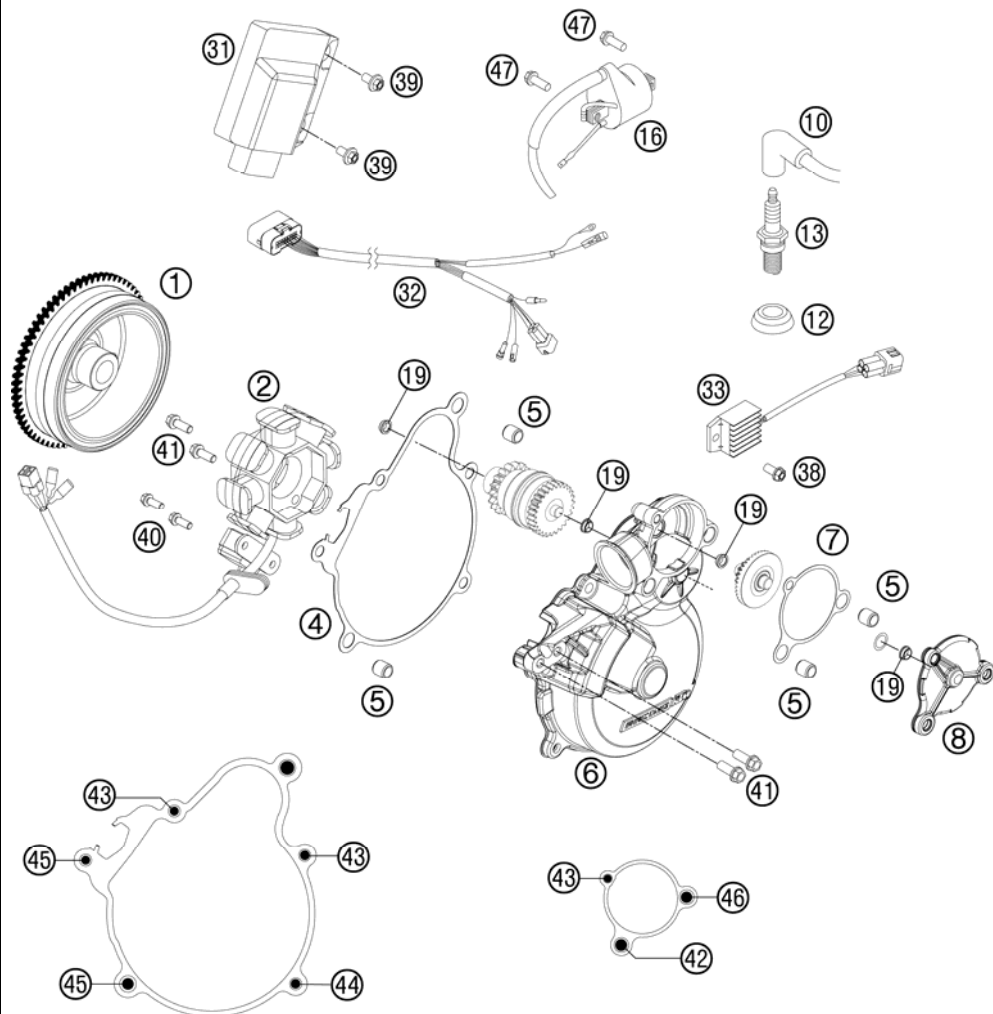


FIG	PART NUMBER	DESCRIPTION	QTY
1	55139005000	FLYWHEEL KOKUSAN	1
2	55139004000	STATOR KOKUSAN	1
4	55130040000	IGNITI.COVER GASKET	07 1
5	49030090000	DOWEL 9,8 X 7 X 10	4
6	5513000224433	IGNITION COVER CPL.	1
7	55130041100	IGN. OUT SIDE COV. GASKET	07 1
8	5513004524433	OUTER IGNITION COVER CPL.	1
10	47039090000	SPARK PLUG CAP NGK REINFORC.04	1
12	50231012000	SEALING CUP FOR SPARK PLUG	1
13	54739093000	SPARK PLUG NGK BR7ES	1
16	59039006000	IGNITIONCOIL "IG5128"	1
19	55140030100	COLLAR BUSHING	4
31	54839131300	CDI UNIT 250 EXC	11 1
32	54839032300	WIRING HARNESS F.CDI 2-ST.SX07	1
33	80011034000	VOLTAGE REGULATOR	04 1
38	0025060126	HH COLLAR SCREW M6X12 TX30	3
39*	0081645121	EJOT DELTA PT SCREW 45X12-Z	2
40	0014050123	HH COLLAR SCREW M 5X12 WS=6	2
41	0025060206	HH COLLAR SCREW M6X20 TX30	4
42	0025060256	HH COLLAR SCREW M6X25 TX30	1
43	0025060166	HH COLLAR SCREW M6X16 TX30	3
44	0025060306	HH COLLAR SCREW M6X30 TX30	1
45	0025060356	HH COLLAR SCREW M6X35 TX30	2
46	0025060706	HH COLLAR SCREW M6X70 TX30	1
47	0026060186	COLLAR SCREW M6X18 ISA30	2

135513910 / C135513910

* NEW PART

X AS REQUIRED

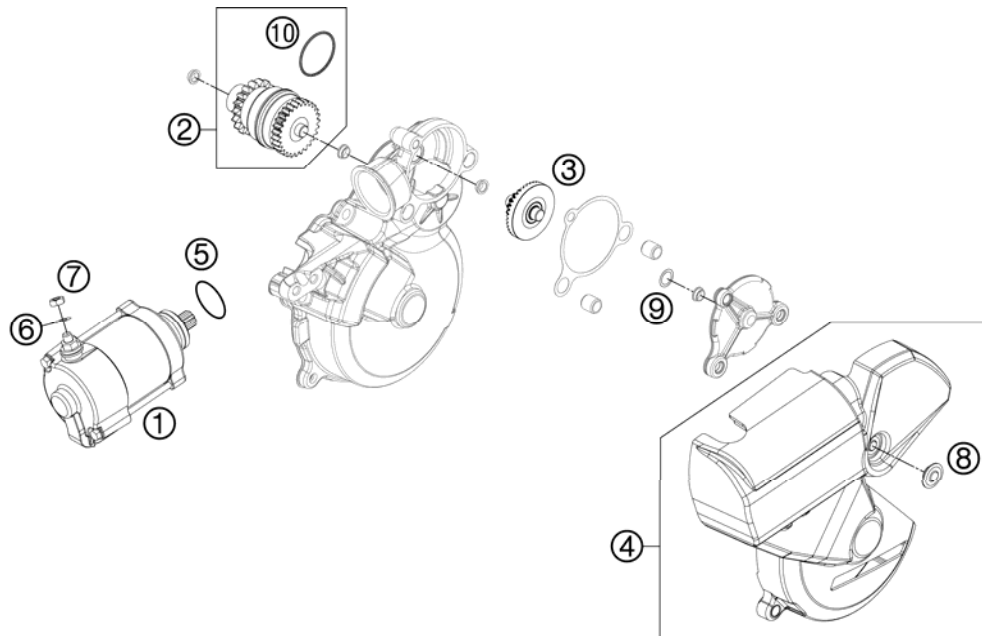


FIG	PART NUMBER	DESCRIPTION	QTY
1*	55140001100	STARTER MORIC	1
2	55140026100	BENDIX	1
3	55140022100	CROWN WHEEL E-STARTER	1
4	55140040144	STARTER DRIVE COVER CPL.	1
5	0770250030	O-RING 25,00X3,00 NBR 70	1
6	0125060003	WASHER DIN0125-A 6,4	1
7	0985060003	SELF LOCK. NUT DIN0985-M 6	1
8	50308052000	BUSH FOR SPOILER 6X11X16X5 MM	1
9	0988081401	THRUST WASHER 8X14X0,1	x
9	0988081402	THRUST WASHER 8X14X0,2	x
9	0988081403	THRUST WASHER 8X14X0,3	x
9	0988081405	THRUST WASHER 8X14X0,5	x
10	55140027000	BENDIXSPRING	1

135484010 / C135514010

* NEW PART

X AS REQUIRED



KTM-Sportmotorcycle AG
A-5230 Mattighofen
www.ktm.at

KTM Group Partner



3CM083685MEN



Art.Nr.: 3CM083685MEN 5/2012