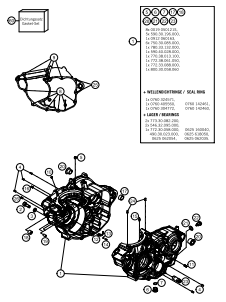
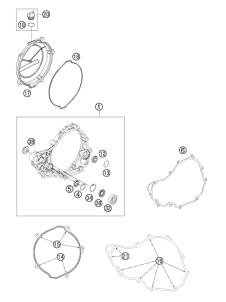
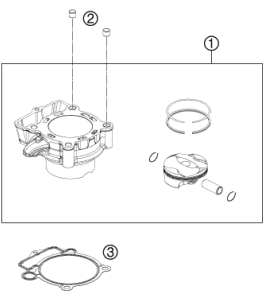
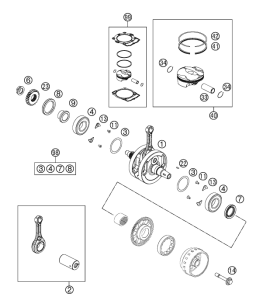
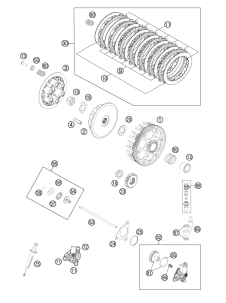
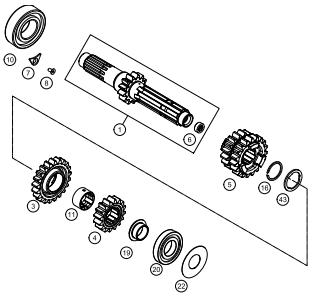
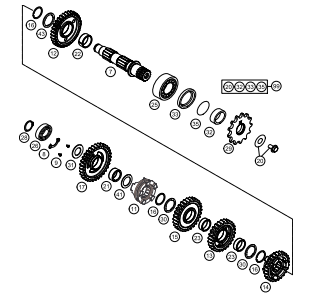
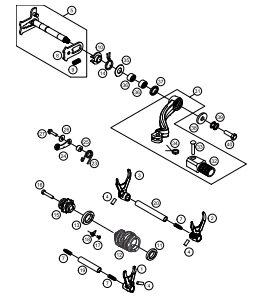
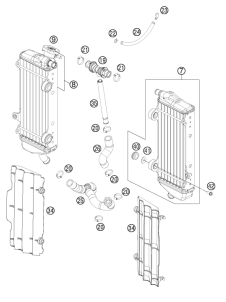
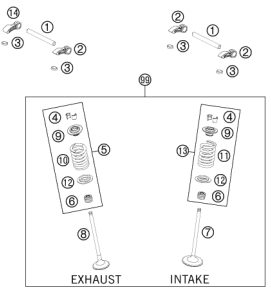
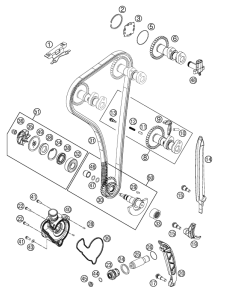
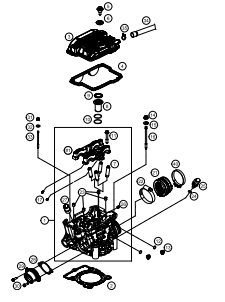
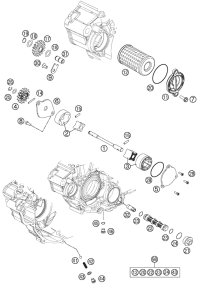
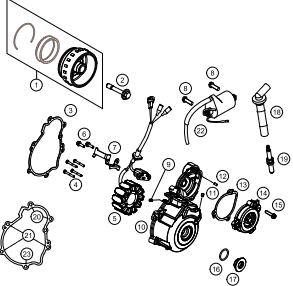
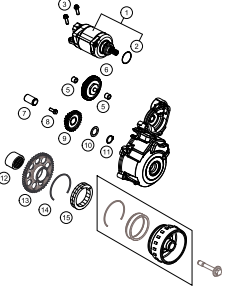
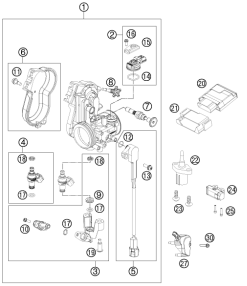



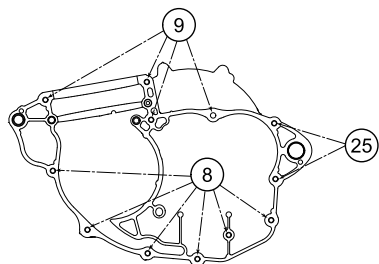
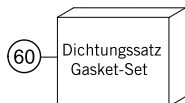
250 SX-F 2015

ART.-NR.: 3CM0893300EN



| | | | |
|---|--|--|---|
| <p>ENGINE CASE</p>  <p>3</p> | <p>CLUTCH COVER</p>  <p>4</p> | <p>CYLINDER</p>  <p>5</p> | <p>CRANKSHAFT, PISTON</p>  <p>6</p> |
| <p>CLUTCH</p>  <p>7</p> | <p>TRANSMISSION I - MAIN SHAFT</p>  <p>8</p> | <p>TRANSMISSION II - COUNTERSHAFT</p>  <p>9</p> | <p>SHIFTING MECHANISM</p>  <p>10</p> |
| <p>COOLING SYSTEM</p>  <p>11</p> | <p>VALVE DRIVE</p>  <p>EXHAUST INTAKE</p> <p>12</p> | <p>TIMING DRIVE</p>  <p>14</p> | <p>CYLINDER HEAD</p>  <p>16</p> |

| | | | |
|--|--|--|---|
| <p>LUBRICATING SYSTEM</p>  <p style="text-align: right;">17</p> | <p>IGNITION SYSTEM</p>  <p style="text-align: right;">18</p> | <p>ELECTRIC STARTER</p>  <p style="text-align: right;">19</p> | <p>THROTTLE BODY</p>  <p style="text-align: right;">20</p> |
| | | | |
| | <div style="display: flex; align-items: center;">  <p> All information contained is without obligation. KTM-Sportmotorcycle AG particularly reserves the right to modify any equipment, technical specifications, prices, colors, shapes, materials, services, service work, constructions, equipment and the like so as to adapt them to local conditions or to cancel any of the above items, all without previous announcement and without giving reasons. KTM may stop manufacturing certain models without previous notice. KTM shall not be held liable for any deviations of availability and/or ability to deliver, illustrations, descriptions, printing and/or other errors. The illustrated models partly contain extra equipment, which is not applied to standard models. © by KTM-SPORTMOTORCYCLE AG, Mattighofen AUSTRIA; All rights reserved; Reprint, also in extracts, with written allowance of KTMSPORTMOTORCYCLE AG, Mattighofen only. </p> </div> | | |



- 5 6 7 17 18
- 20 21 22 23

1

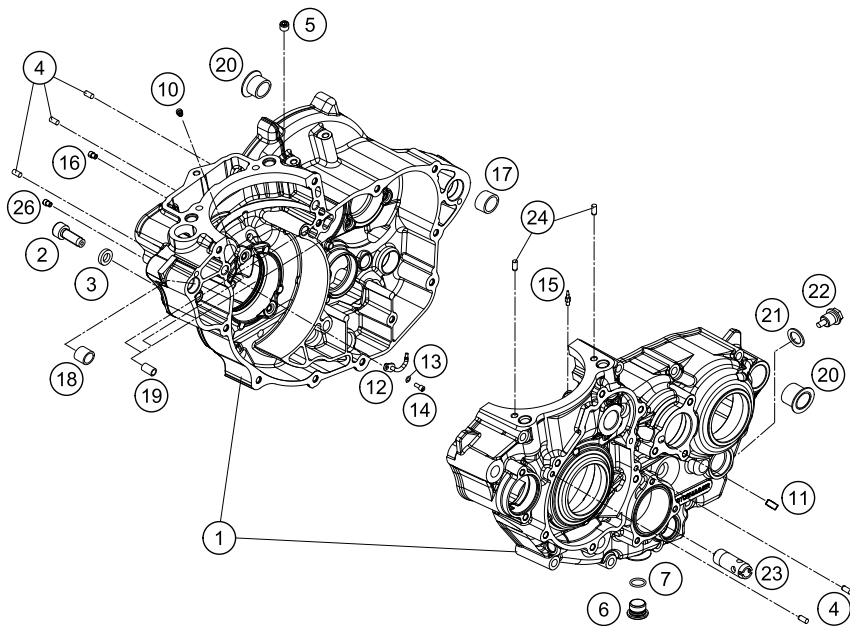
8x 0019 050121S,
5x 590.30.196.000,
1x 0912 060163,
6x 750.30.085.000,
1x 780.33.132.000,
1x 590.40.028.000,
1x 770.38.013.100,
1x 772.38.061.050,
1x 772.33.088.000,
1x 800.30.058.060

+ WELLENDICHTRINGE / SEAL RING

1x 0760 324571,
1x 0760 405560, 0760 142461,
1x 0760 304772, 0760 142460,

+ LAGER / BEARINGS

2x 773.30.082.200,
2x 546.32.095.000,
1x 772.30.058.000, 0625 160040,
490.30.023.000, 0625 618050,
0625 062054, 0625 062035.



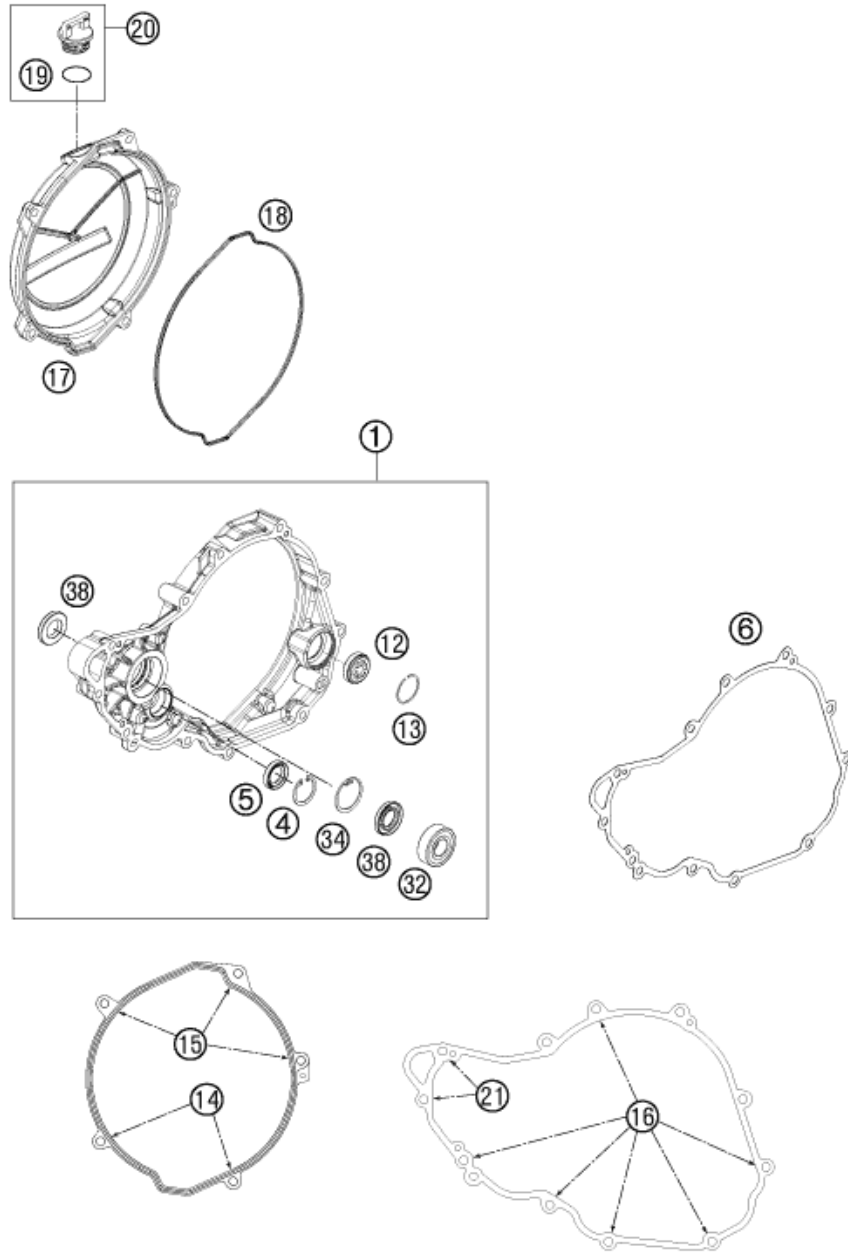
147773010

| POS | PARTNUMBER | PARTNAME | PIECE |
|-----|-------------|--------------------------------|-------|
| 1 | 77730100033 | ENGINE CASE CPL. | 1 |
| 2 | 77730080000 | LOCATING SCREW M8 L=25 | 1 |
| 3 | 58030081000 | CU-SEAL RING 8 X 14 X 3 | 1 |
| 4 | 0402040980 | NEEDLE ROL.DIN5402 NRB 4X9,8 | 5 |
| 5 | 0906100100 | PLUG DIN0906-M10X1 | 2 |
| 6 | 78036081000 | HOLDING BOLT M14X1,5 | 1 |
| 7 | 0770110015 | O-RING 1,5x11 SILICON | 1 |
| 8 | 0025060556 | HH COLLAR SCREW M6X55 TX30 | 6 |
| 9 | 0025060656 | HH COLLAR SCREW M6X65 TX30 | 4 |
| 10 | 80030058060 | OIL JET "60" M4 | 1 |
| 11 | 77230066000 | THROTTLE M5X10X0,5 | 1 |
| 12 | 81230164050 | OIL JET ANGLED 50 | 1 |
| 13 | 0770035020 | O-RING 3,5X2,00 NBR | 1 |
| 14 | 0912040103 | AH.SCREW DIN0912-M 4X10 | 1 |
| 15 | 60030063050 | OIL JET 50 05 | 1 |
| 16 | 59030058000 | JET 100 BING(44-031/180) M4 | 1 |
| 17 | 59030024000 | DOWEL 17 X 19 X 12 | 1 |
| 18 | 54630027000 | DOWEL BUSHING 13,8X11X12 | 1 |
| 19 | 59030023000 | DOWEL 6X8X11,5 | 3 |
| 20 | 75030010100 | CASE BUSH | 2 |
| 21 | 58038022000 | CU-SEAL RING DIN7603-12X18X1,5 | 1 |
| 22 | 58030021000 | OILDRAIN PLUG W.MAG. M 12X1,5 | 1 |
| 23 | 77038022000 | OIL INTAKEPIPE | 1 |
| 24 | 0402050080 | CYLINDER ROLLER ZRO 5X8 | 2 |
| 25 | 0025060856 | HH COLLAR SCREW M6X85 TX30 | 2 |
| 26 | 77030058150 | JET 44-031/150 | 1 |
| 60 | 77730099000 | GASKET SET 250 SX-F | 1 |

C147773011

* NEW PART

X ON DEMAND



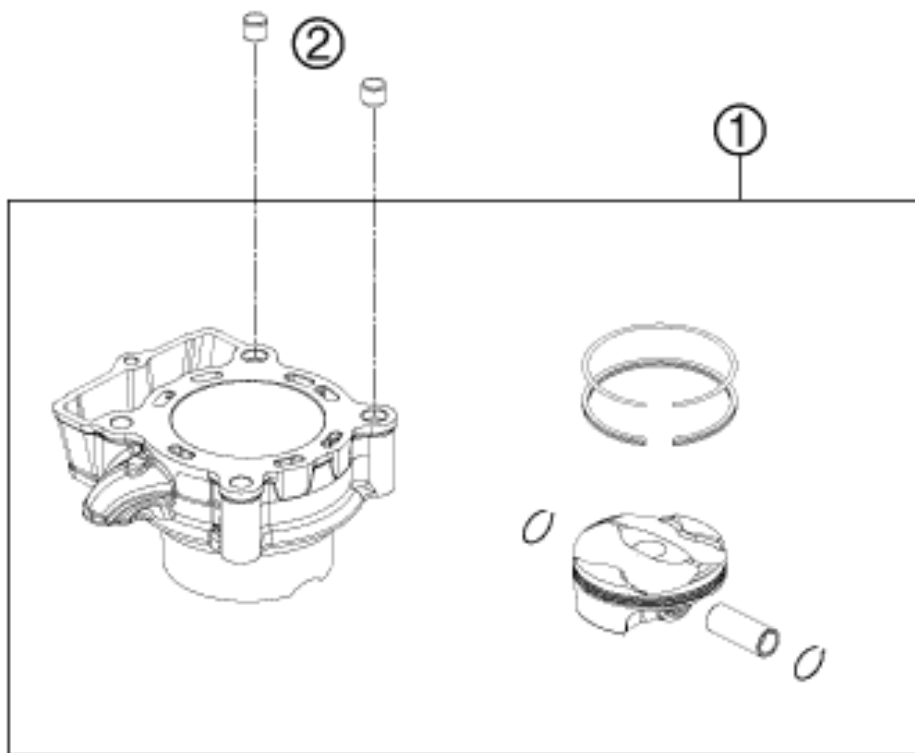
| POS | PARTNUMBER | PARTNAME | PIECE |
|-----|---------------|--------------------------------|-------|
| 1 | 77730001144 | CLUTCH COVER CPL. | 1 |
| 4 | 0472024120 | CIRCLIP DIN0472-24X1.2 | 1 |
| 5 | 0760142450 | SHAFT SEAL RING 14X24X5 VITON | 1 |
| 6 | 77730025000 | CLUTCH COVER GASKET | 1 |
| 12 | 59030019100 | OIL LEVEL GLASS | 1 |
| 13 | 61030019050 | CIRCLIP OIL LEVEL GLASS 03 | 1 |
| 14 | 0025060206 | HH COLLAR SCREW M6X20 TX30 | 2 |
| 15 | 0025060456 | HH COLLAR SCREW M6X45 TX30 | 3 |
| 16 | 0025060256 | HH COLLAR SCREW M6X25 TX30 | 8 |
| 17 | 7723002600015 | CLUTCH COVER OUTSIDE | 1 |
| 18 | 77230027000 | GASKET FOR OUTER CLUTCH COVER | 1 |
| 19 | 0770191015 | O-RING 19,00X3,00 NBR | 1 |
| 20 | 58030120000 | OIL FILLER CAP M24x3 WITH O-R | 1 |
| 21 | 0025060406 | HH COLLAR SCREW M6X40 TX30 | 2 |
| 32 | 0625062022 | BALL BEARING 6202 C0 2 | 1 |
| 34 | 0472300120 | CIRCLIP 30X1,2 | 1 |
| 38 | 07601530451 | SHAFT SEAL RING 15X30X4.5 BAUD | 2 |

137783020

C147773020

* NEW PART

X ON DEMAND



| POS | PARTNUMBER | PARTNAME | PIECE |
|-----|-------------|----------------------------|-------|
| 1 | 77730038000 | CYLINDER AND PISTON | 1 |
| 2 | 58530014100 | DOWEL BUSHING 10,2X12,5X10 | 2 |
| 3 | 77230035000 | CYLINDER BASE GASKET | 1 |

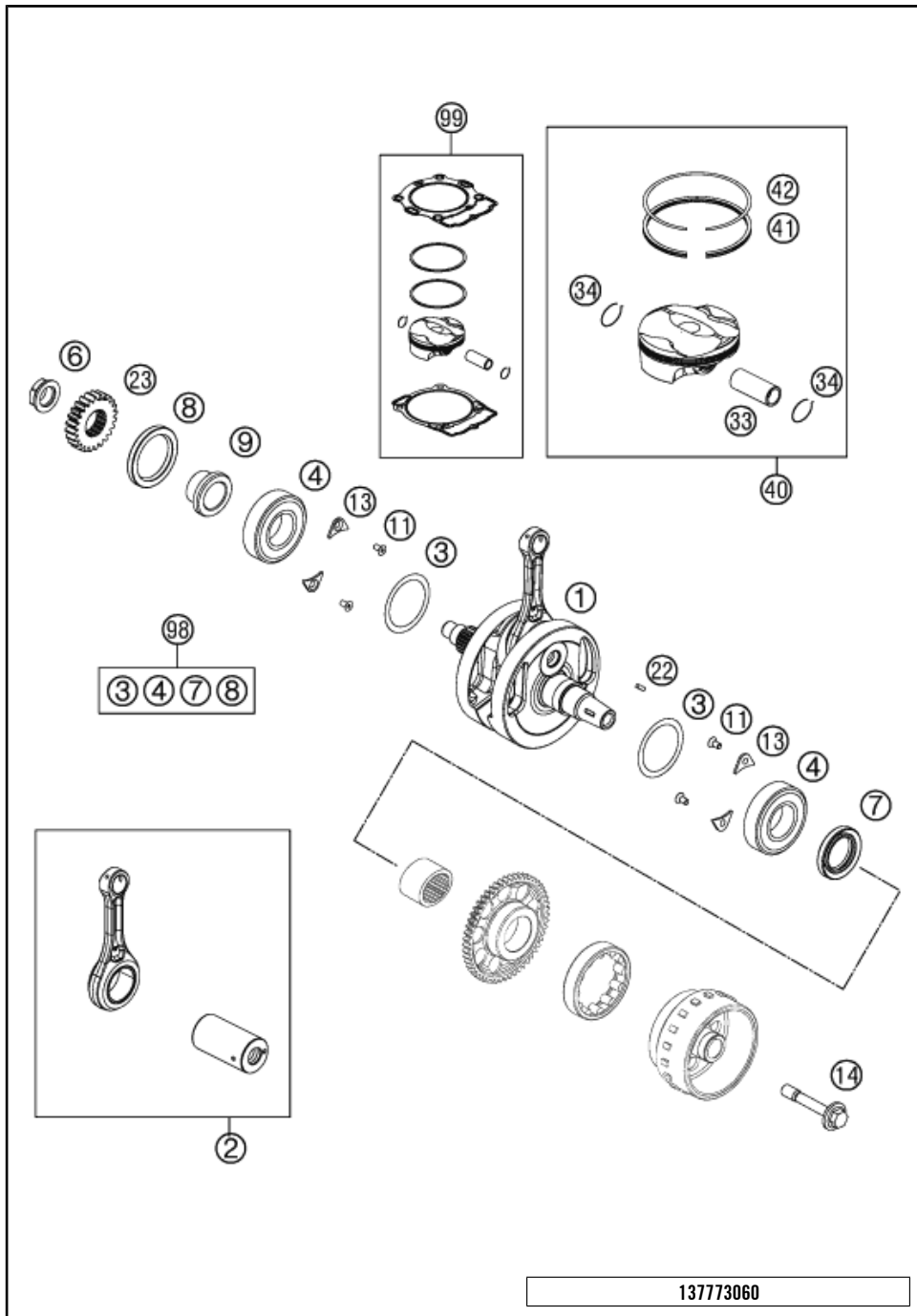


137773040

C147773041

* NEW PART

X ON DEMAND

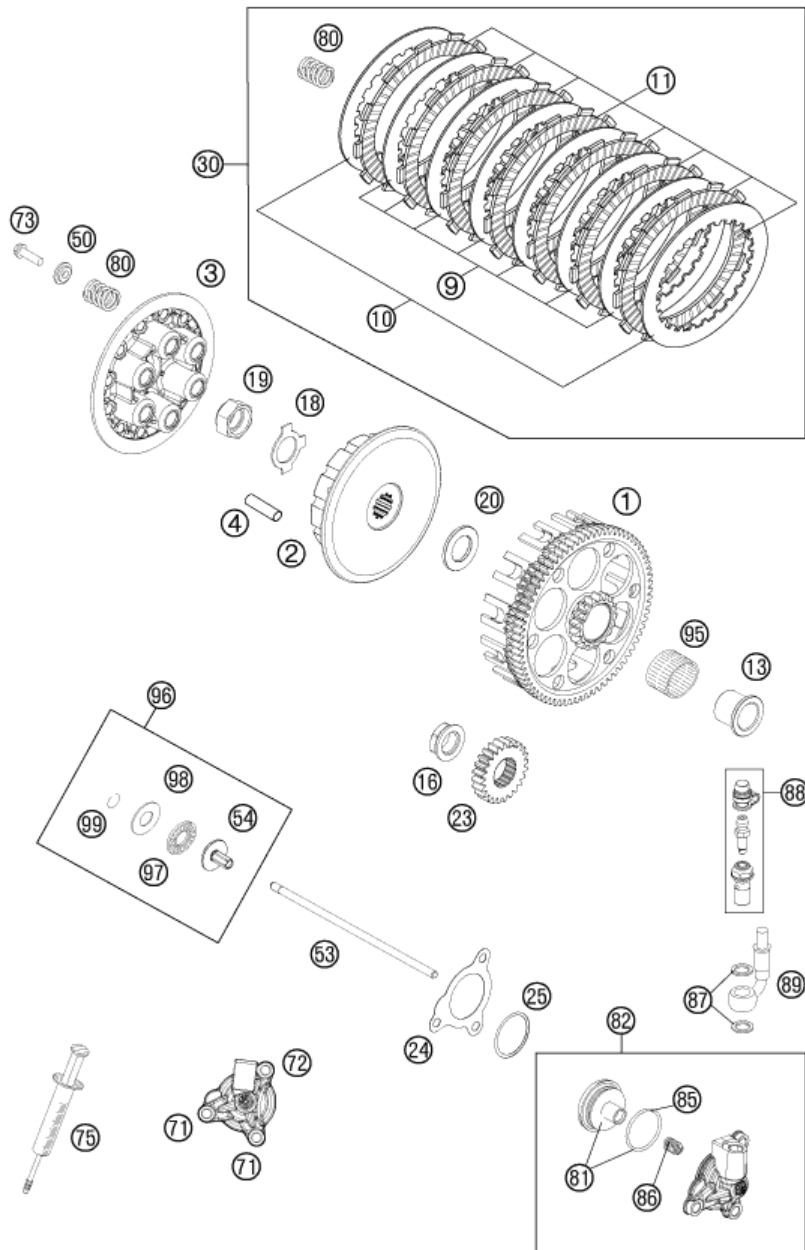


| POS | PARTNUMBER | PARTNAME | PIECE |
|-----|----------------|--------------------------------|-------|
| 1 | 77730018100 | CRANKSHAFT CPL. | 1 |
| 2 | 77730015144 | CONNECTING ROD REPAIR SET | 1 |
| 3 | 0988324510 | THRUST WASHER 988ST 32X0,1 | x |
| 3 | 0988324515 | THRUST WASHER 988ST 32X0,15 | x |
| 3 | 0988324530 | THRUST WASHER 988ST 32X0,30 | x |
| 4 | 77330082200 | BEARING NJ 206 ECP/HN3C4HVA624 | 2 |
| 6 | 77230029000 | NUT PRIMARY WHEEL | 1 |
| 7 | 0760304772 | SH.SEAL RING 30X47X7 BSL VITON | 1 |
| 8 | 0760405560 | SHAFT SEAL RING A40x55x6 VITON | 1 |
| 9 | 77232022000 | SPACER BUSHING PRIMARY GEAR | 1 |
| 11 | 0019050106S | INT. TORX FLAT HEAD M5X10 10.9 | 4 |
| 13 | 75030085000 | RETAINING PLATE F. CS BEARING | 4 |
| 14 | 77339010100 | FLYWHEEL SCREW | 1 |
| 22 | 0888030037 | WOODRUFF KEY DIN6888-3X3,7 | 1 |
| 23 | 77232023024 | PRIMARY GEAR 24T. | 1 |
| 33 | 77730033200 | PISTON PIN | 1 |
| 34 | 77730074000 | CIRCLIP | 2 |
| 40 | 77730007100 I | PISTON I CPL. 250 | x |
| 40 | 77730007100 II | PISTON II CPL. 250 | x |
| 41 | 77730032000 | SCRAPER RING 250 | 1 |
| 42 | 77730030000 | COMPRESSIONRING 250 | 1 |
| 98 | 00050002311 | CRANKSHAFT REP. KIT SX-F 13-14 | x |
| 99 | 00050000222 | PISTON KIT GR.I 250 SX-F13-14 | x |
| 99 | 00050000223 | PISTON KIT GR.II 250 SX-F 13 | x |

13773060

C14773061

* NEW PART X ON DEMAND



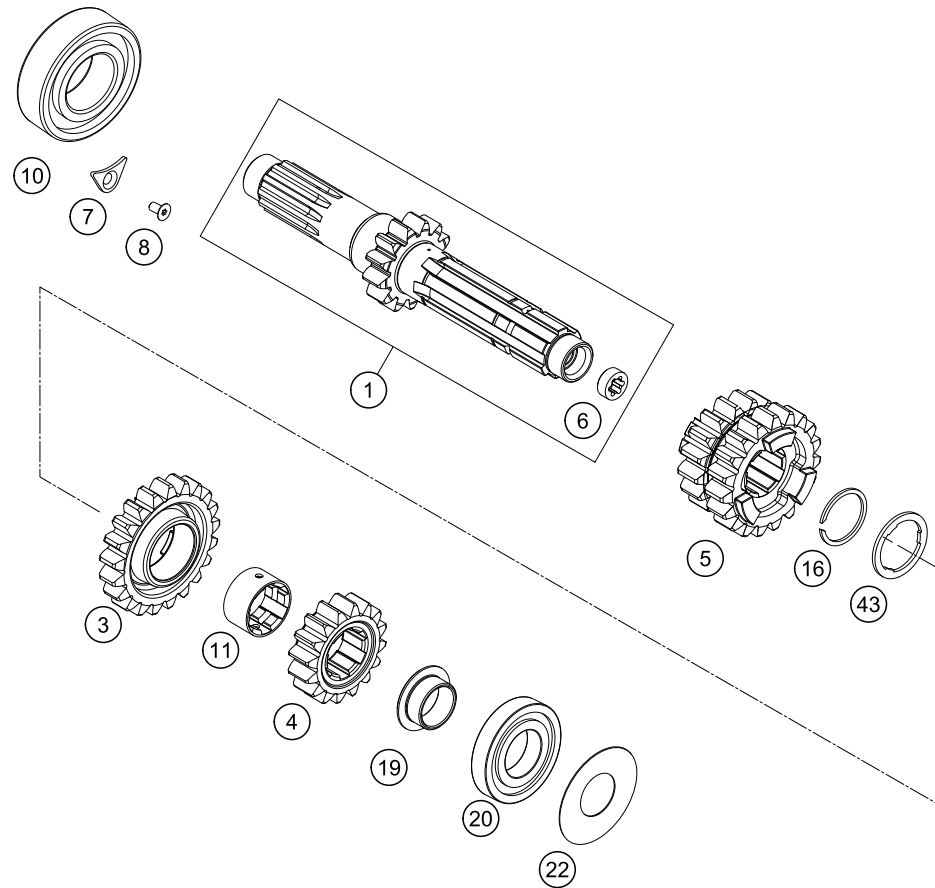
| POS | PARTNUMBER | PARTNAME | PIECE |
|-----|-------------|--------------------------------|-------|
| 1 | 77232001073 | OUTER CLUTCH CPL. | 1 |
| 2 | 77232002000 | INNER CLUTCH HUB | 1 |
| 3 | 77232003000 | PRESSURE PLATE | 1 |
| 4 | 77232004000 | DRIVING SLEEVE D=7,95 L=38 | 12 |
| 9 | 59032010200 | INTERMEDIATE DISC 1,4MM 2002 | 7 |
| 10 | 59032010100 | INTERMEDIATE DISC 1MM 2002 | 2 |
| 11 | 59032011100 | LINING DISC 2MM 04 | 8 |
| 13 | 77232015000 | INNER RING | 1 |
| 16 | 77230029000 | NUT PRIMARY WHEEL | 1 |
| 18 | 77232018000 | SHEET METAL LOCK | 1 |
| 19 | 77232019000 | HEXAGON NUT M18X1,5 | 1 |
| 20 | 77232009100 | WASHER 21,8 X 37 X 3 | 1 |
| 23 | 77232023024 | PRIMARY GEAR 24T. | 1 |
| 24 | 77232062000 | GASKET F. OUTPUT CYLINDER | 1 |
| 25 | 0770300015 | O-RING 30,00X1,50 NBR 70 | 1 |
| 30 | 78132010010 | CLUTCH KIT 350 SX-F 11-14 | 1 |
| 50 | 59032006000 | SPRING RETAINER 6,2X12X18X3,6 | 6 |
| 53 | 77232054000 | PUSH ROD | 1 |
| 54 | 78032057000 | PRESSURE PIECE | 1 |
| 71 | 0025060166 | HH COLLAR SCREW M6X16 TX30 | 2 |
| 72 | 0025060356 | HH COLLAR SCREW M6X35 TX30 | 1 |
| 73 | 0025060256 | HH COLLAR SCREW M6X25 TX30 | 6 |
| 75 | 50329050000 | VENT INJEKTION HYDR. CLUTCH | 1 |
| 80 | 52332005000 | CLUTCH SPRING 2,4X40 200'98 | 6 |
| 81 | 77232066000 | PISTON CPL. | 1 |
| 82 | 77232061044 | OUTPUT CYLINDER CPL. | 1 |
| 85 | 54832067000 | O-RING | 1 |
| 86 | 54832069000 | PRESSURE SPRING | 1 |
| 87 | 42013226000 | CU-SEAL RING DIN7603-10X16X1 | 2 |
| 88 | 62513020000 | BLEEDER SCREW CPL. 05 | 1 |
| 89 | 54832063000 | CLUTCH PIPE 06 | 1 |
| 95 | 56532095000 | NEEDLE BEARING K26X30X22ZW.KSE | 1 |
| 96 | 78032057044 | PRESSURE PIECE CPL. 08 | 1 |
| 97 | 54637097200 | AXIAL NEEDLE BEARING AXK 1226 | 1 |
| 98 | 54637098200 | AXIAL WASHER AS1226 12X26X1 | 1 |
| 99 | 0993012000 | CIRCLIP DIN7993-RW12 | 1 |

117723210

C127723210

* NEW PART

X ON DEMAND



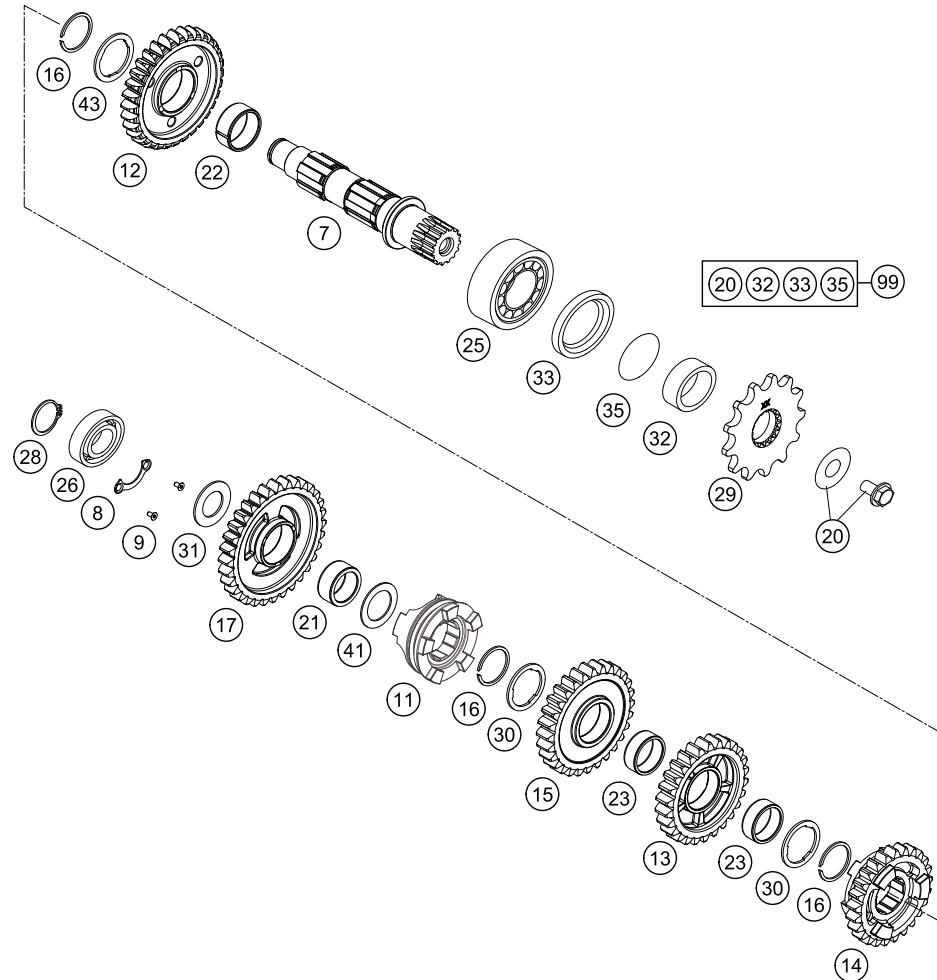
| POS | PARTNUMBER | PARTNAME | PIECE |
|-----|-------------|--------------------------------|-------|
| 1 | 77733301000 | MAIN SHAFT CPL. 13T. | 1 |
| 3 | 77733005000 | IDLER GEAR 5TH G. T=21 | 1 |
| 4 | 77733002000 | SOLID GEAR 2ND G. T=16 | 1 |
| 5 | 77733303000 | SLIDING GEAR 3./4.G Z=17/19 | 1 |
| 6 | 78033001110 | BUSHING | 1 |
| 7 | 75030085000 | RETAINING PLATE F. CS BEARING | 1 |
| 8 | 0019050106S | INT. TORX FLAT HEAD M5X10 10.9 | 1 |
| 10 | 0625062054 | BALL BEARING 6205 C3 NTN | 1 |
| 11 | 77733024000 | IDLER GEAR BUSHING | 1 |
| 16 | 50133090000 | LOCK RING 22X1,2 | 1 |
| 19 | 77733027000 | BUSHING | 1 |
| 20 | 0625160040 | GROOVED BALL BEAR. TM 16004 C3 | 1 |
| 22 | 77233088000 | SPACER SHIM 21X42X0.2 | 1 |
| 43 | 77733021000 | STOP DISC | 1 |

147773330

C157773330

* NEW PART

X ON DEMAND



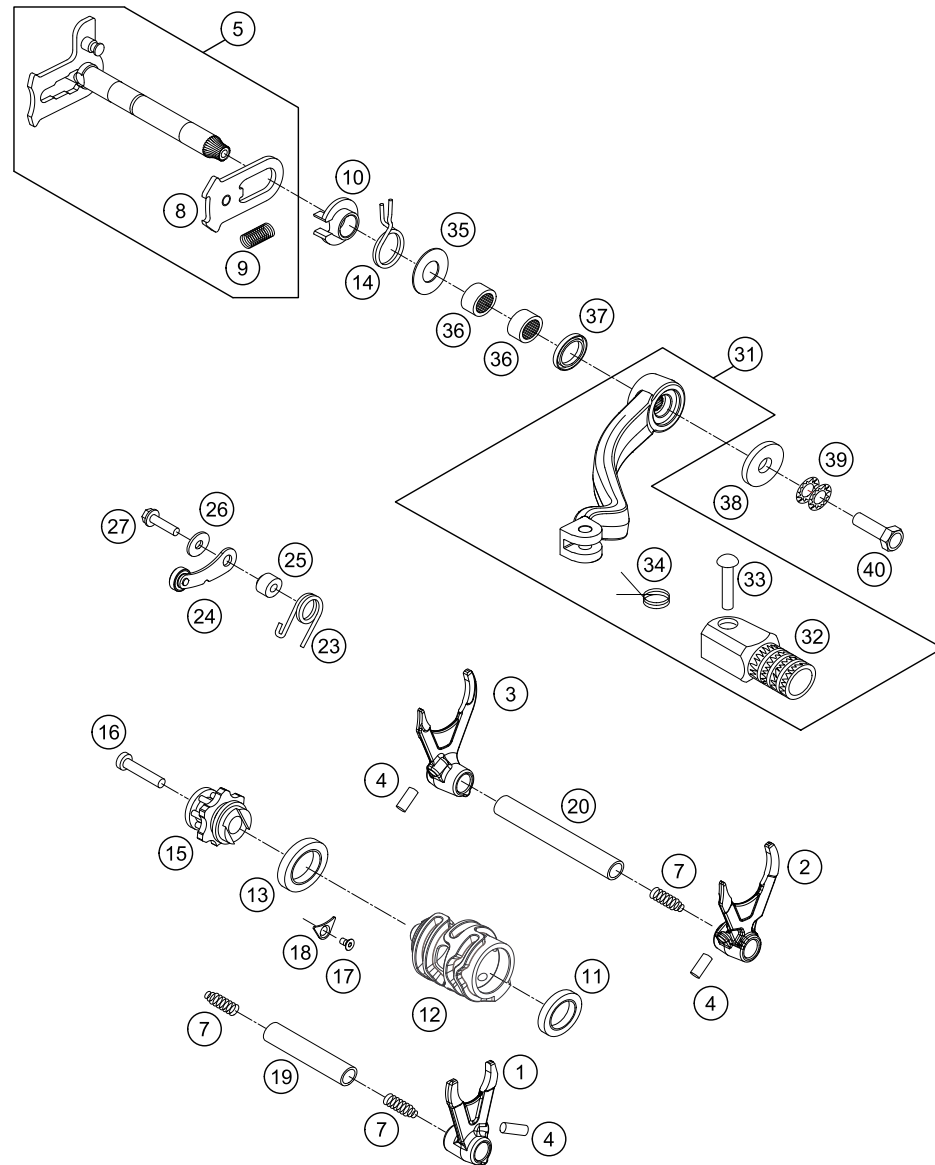
| POS | PARTNUMBER | PARTNAME | PIECE |
|-----|-------------|--------------------------------|-------|
| 7 | 77733110000 | COUNTERSHAFT | 1 |
| 8 | 78033132000 | TAB WASHER BEARING COUNT.SHAFT | 1 |
| 9 | 0019050106S | INT. TORX FLAT HEAD M5X10 10.9 | 2 |
| 11 | 77733316000 | SHIFT COLLAR | 1 |
| 12 | 77733012000 | IDLER GEAR 2ND G. T=32 | 1 |
| 13 | 77733214000 | IDLER GEAR 4.G. Z=26 | 1 |
| 14 | 77733215000 | SLIDING GEAR 5.G.,Z=25 | 1 |
| 15 | 77733213000 | IDLER GEAR 3.G. Z=28 | 1 |
| 16 | 0417024000 | CIRCLIP WS24 | 3 |
| 17 | 77733011000 | IDLER GEAR 1ST G. T=32 | 1 |
| 20 | 59033034044 | SCREW 10.9+SPRING WASHER | 1 |
| 21 | 0405202612 | NEEDLE BEARING K 20X26X12 | 1 |
| 22 | 0405242812 | NEEDLE BEAR. K24X28X11,9 DIV. | 1 |
| 23 | 0405222611 | NEEDLE BEAR.K 22X26X10 DIVIDED | 2 |
| 25 | 49030023000 | CYL.ROLL BEARING NJ205 | 1 |
| 26 | 0625062035 | BALL BEARING 6203 JR2 C3 | 1 |
| 28 | 0471170015 | CIRCLIP DIN 0471-17X1, 5 | 1 |
| 29 | 50033029013 | FRONT SPROCKET 13-T | 1 |
| 29 | 50033029014 | FRONT SPROCKET 14-T | x |
| 30 | 77733043000 | STOP DISC 23,4X31X1,5 | 2 |
| 31 | 77233020000 | STOP DISK 17,2X30X1,3 | 1 |
| 32 | 54633014100 | SPACER BUSHING 12MM | 1 |
| 33 | 0760324571 | SHAFT SEAL RING 32X45X7 BSLNBR | 1 |
| 35 | 0770020220 | O-RING 25,12X1,78 NBR70 | 1 |
| 41 | 54833080000 | STOP DISC 20,2X30X1 | 1 |
| 43 | 77733044000 | STOP DISC 24X32X1,5 | 1 |
| 99 | 00050000941 | COUNTER SHAFT REP.KIT 4 STROKE | x |

147773360

C157773361

* NEW PART

X ON DEMAND



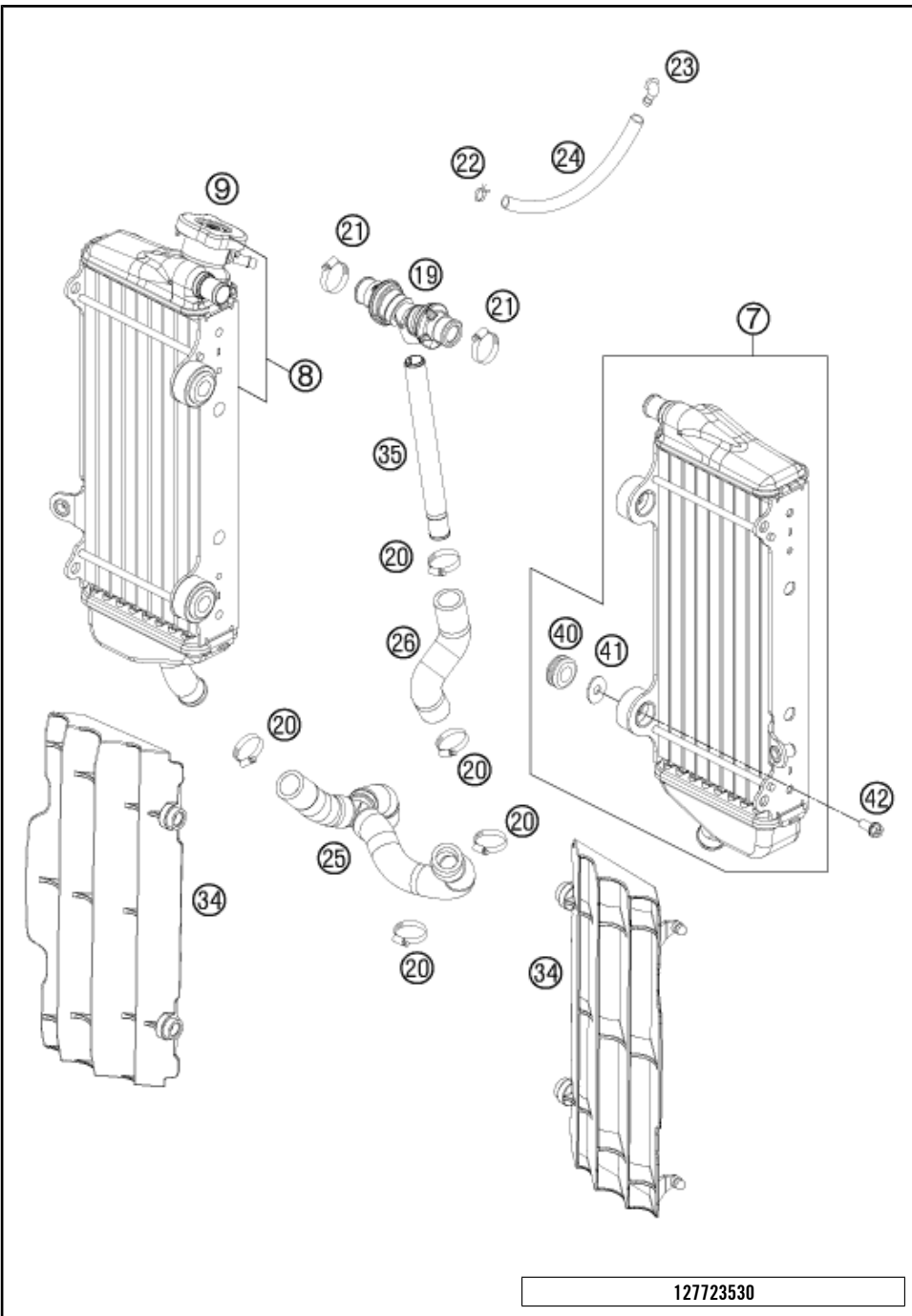
147773410

| POS | PARTNUMBER | PARTNAME | PIECE |
|-----|-------------|--------------------------------|-------|
| 1 | 77734001000 | SHIFTING FORK 5TH/6TH GEAR | 1 |
| 2 | 54834202000 | SHIFT FORK 2./4.G. | 1 |
| 3 | 54834203000 | SHIFT FORK 1./3. G. | 1 |
| 4 | 0402061480 | NEEDLE ROLLER DIN5402 6X14,8 | 3 |
| 5 | 54834005144 | SHIFT SHAFT CPL. | 1 |
| 7 | 58038023200 | PRESSURE SPRING 0,9MM | 3 |
| 8 | 54634008044 | SLIDING PLATE CPL. | 1 |
| 9 | 56534013100 | TENSIONING SPRING 0,8MM | 1 |
| 10 | 54634020000 | SPRING GUIDE | 1 |
| 11 | 0625069034 | BALL BEARING 6903 C4 | 1 |
| 12* | 77734112100 | SHIFT ROLLER 5G | 1 |
| 13 | 0625618050 | BALL BEARING 61805 C3 | 1 |
| 14 | 54834014000 | RETURN SPRING 03 | 1 |
| 15 | 77234015000 | SHIFT LOCATING DRUM CPL. | 1 |
| 16 | 0912060353 | AH SCREW DIN0912-M 6X35 | 1 |
| 17 | 0019050106S | INT. TORX FLAT HEAD M5X10 10.9 | 1 |
| 18 | 75030085000 | RETAINING PLATE F. CS BEARING | 1 |
| 19 | 54834019000 | SHIFT. RAIL MAIN SHAFT 250/300 | 1 |
| 20 | 54834020000 | SHIFT. RAIL C. SHAFT 250/300 | 1 |
| 23 | 60034023000 | ARRESTING LEVER SPRING 03 | 1 |
| 24 | 50334024144 | LOCATING LEVER CPL. 08 | 1 |
| 25 | 54634052300 | SLEEVE FOR LOCKING LEVER | 1 |
| 26 | 0021050003 | WASHER DIN9021-A 5,3 | 1 |
| 27 | 0025050206 | HH COLLAR SCREW M5X20 TX30 | 1 |
| 31 | 54734031000 | SHIFT LEVER CPL. 2-STROKE 2001 | 1 |
| 32 | 54634131000 | STEP PLATE FOR SHIFT LEVER 250 | 1 |
| 33 | 54634031050 | BOLT 6X25 FOR SHIFT LEVER | 1 |
| 34 | 54634032100 | SHIFTING LEVER SPRING 250 | 1 |
| 35 | 54634050000 | STOP DISK 14X30X1 | 1 |
| 36 | 54632095000 | NEEDLE BEAR.HK 1412 14X20X12 | 2 |
| 37 | 0760142460 | SHAFT SEAL RING 14X24X6 B | 1 |
| 38 | 50232050001 | STEEL WASHER 6,4X17X3 | 1 |
| 39 | 50233041000 | PAIR OF WASHERS M 6 NORDLOCK | 1 |
| 40* | 0025060166S | HH COLLAR SCREW M6X16 ISA 30 | 1 |

C157773411

* NEW PART

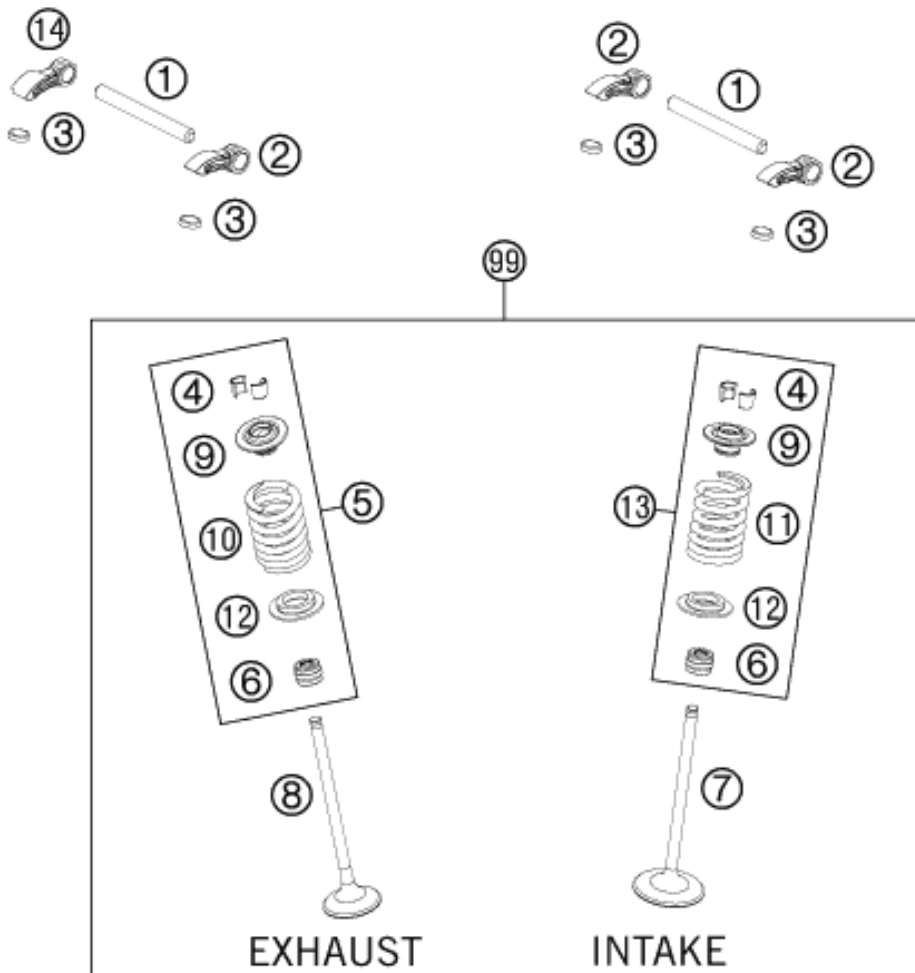
X ON DEMAND



| POS | PARTNUMBER | PARTNAME | PIECE |
|-----|---------------|--------------------------------|-------|
| 7 | 77035007300 | RADIATOR L/S "55623U" 12 | 1 |
| 8 | 77235008100 | RADIATOR R/S "55637U" 13 | 1 |
| 9 | 77335016000 | RADIATOR CAP SMALL 1,8 BAR | 1 |
| 19 | 77235071044 | Y-CONNECTOR CPL. | 1 |
| 20 | 10001020000 | HOSE CLAMP GEMI 18-29 | 5 |
| 21 | 42013037400 | HOSE CLAMP NORMA 12/24 | 2 |
| 22 | 59007017000 | CLAMP YDNAC 10096F (9,6MM) | 1 |
| 23 | 50303089000 | ANGLE PIECE '97 | 1 |
| 24 | 50335030001 | PVC-HOSE 6X9 | x |
| 25 | 77235025033 | RADIATOR HOSE CPL.+Y-CONNECT. | 1 |
| 26 | 77235024000 | PREFORMED HOSE ENG. Y-CONNECT. | 1 |
| 34 | 7733503400030 | RADIATOR PROTECTION BLACK 07 | x |
| 34 | 7733503400004 | RADIATOR PROTECTION L/S+R/S SX | x |
| 35 | 77235073000 | HOSE CONNECTOR L=172,5 | 1 |
| 40 | 41001052000 | RUBBER SLEEVE D=12MM | 4 |
| 41 | 77335001000 | WASHER FOR RADIATOR 08 | 4 |
| 42 | 0023060123 | COLLAR SCREW M6X12 TX | 4 |

* NEW PART

X ON DEMAND



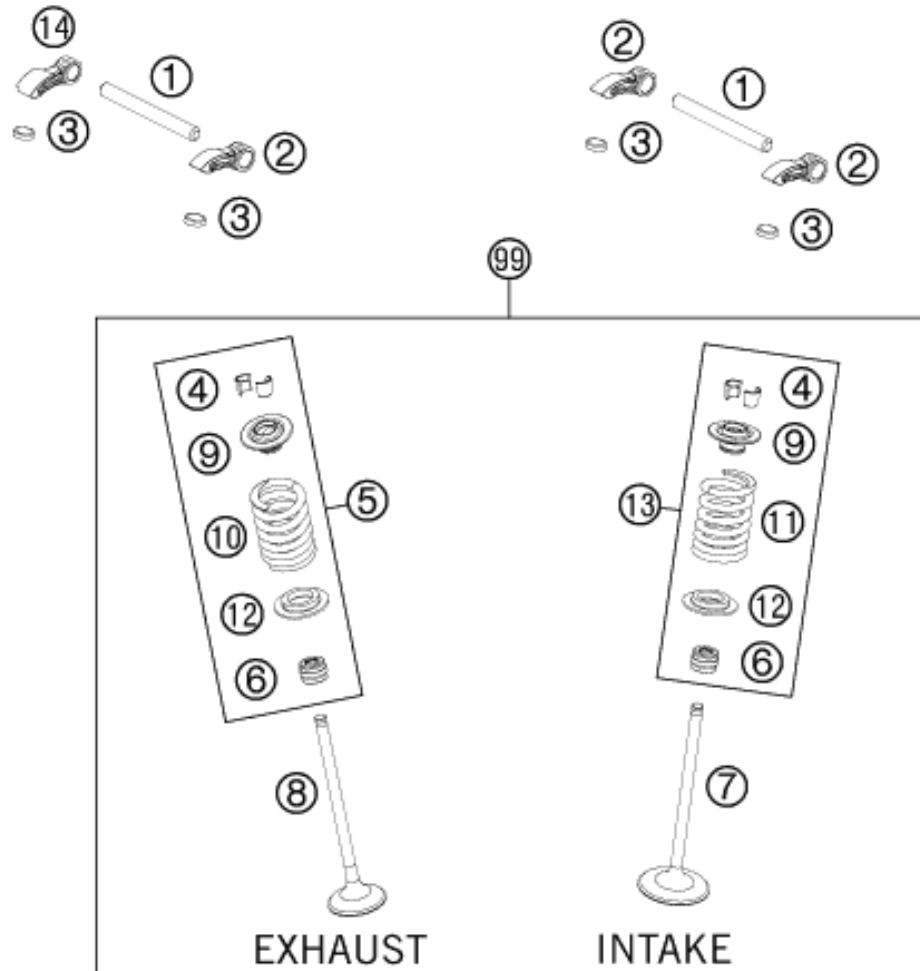
| POS | PARTNUMBER | PARTNAME | PIECE |
|-----|-------------|---|-------|
| 1 | 77236056000 | VALVE LEVER SHAFT | 2 |
| 2 | 77236060000 | VALVE LEVER | 3 |
| 3 | 77036035172 | SHIM D=8,9/1,72 | X |
| 3 | 77036035176 | SHIM D=8,9/1,76 | X |
| 3 | 77036035180 | SHIM D=8,9/1,80 | X |
| 3 | 77036035184 | SHIM D=8,9/1,84 | X |
| 3 | 77036035188 | SHIM D=8,9/1,88 | X |
| 3 | 77036035192 | SHIM D=8,9/1,92 | X |
| 3 | 77036035196 | SHIM D=8,9/1,96 | X |
| 3 | 77036035200 | SHIM D=8,9/2,00 | X |
| 3 | 77036035204 | SHIM D=8,9/2,04 | X |
| 3 | 77036035208 | SHIM D=8,9/2,08 | X |
| 3 | 77036035212 | SHIM D=8,9/2,12 | X |
| 3 | 77036035216 | SHIM D=8,9/2,16 | X |
| 3 | 77036035220 | SHIM D=8,9/2,20 | X |
| 3 | 77036035224 | SHIM D=8,9/2,24 | X |
| 3 | 77036035228 | SHIM D=8,9/2,28 | X |
| 3 | 77036035232 | SHIM D=8,9/2,32 | X |
| 3 | 77036035236 | SHIM D=8,9/2,36 | X |
| 3 | 77036035240 | SHIM D=8,9/2,40 | X |
| 3 | 77036035244 | SHIM D=8,9/2,44 | X |
| 3 | 77036035248 | SHIM D=8,9/2,48 | X |
| 3 | 77036035252 | SHIM D=8,9/2,52 | X |
| 3 | 77036035256 | SHIM D=8,9/2,56 | X |
| 3 | 77036035260 | SHIM D=8,9/2,60 | X |
| 4 | 77036033000 | VALVE COLLET 05 | 8 |
| 5 | 77736128144 | VALVE SPRING KIT EXHAUST | 1 |
| 6 | 77036027000 | VALVE-STEM SEALING 05 | 4 |
| 7 | 77736030000 | INTAKE VALVE | 2 |
| 8 | 77736031000 | EXHAUST VALVE | 2 |
| 9 | 77736032000 | VALVE SPRING PLATE | 4 |
| 10 | 77736028100 | VALVE SPRING NHK HUB 11MM AL YELLOW / ORANGE | 2 |
| 11 | 77736028200 | VALVE SPRING NHK HUB 11MM EL GREEN | 2 |
| 12 | 77736036000 | VALVE SPRING HOLDER | 4 |
| 13 | 77736128044 | VALVE SPRING KIT INTAKE | 1 |

137773610

C147773611

* NEW PART

X ON DEMAND



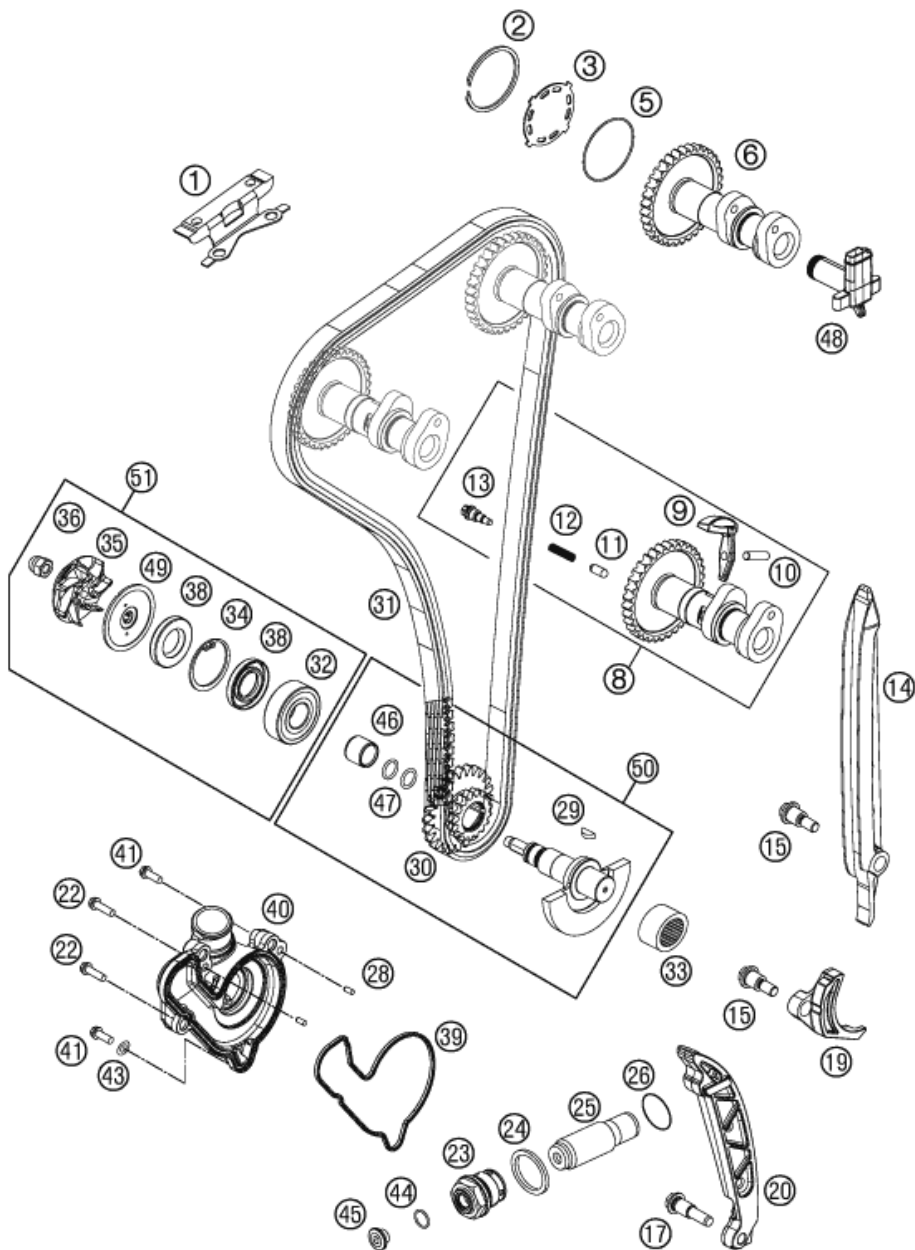
| POS | PARTNUMBER | PARTNAME | PIECE |
|-----|-------------|-----------------------|-------|
| 14 | 77736060000 | VALVE LEVER | 1 |
| 99 | 77736030010 | VALVE KIT 250 SX-F 13 | 1 |

137773610

C147773611

* NEW PART

X ON DEMAND



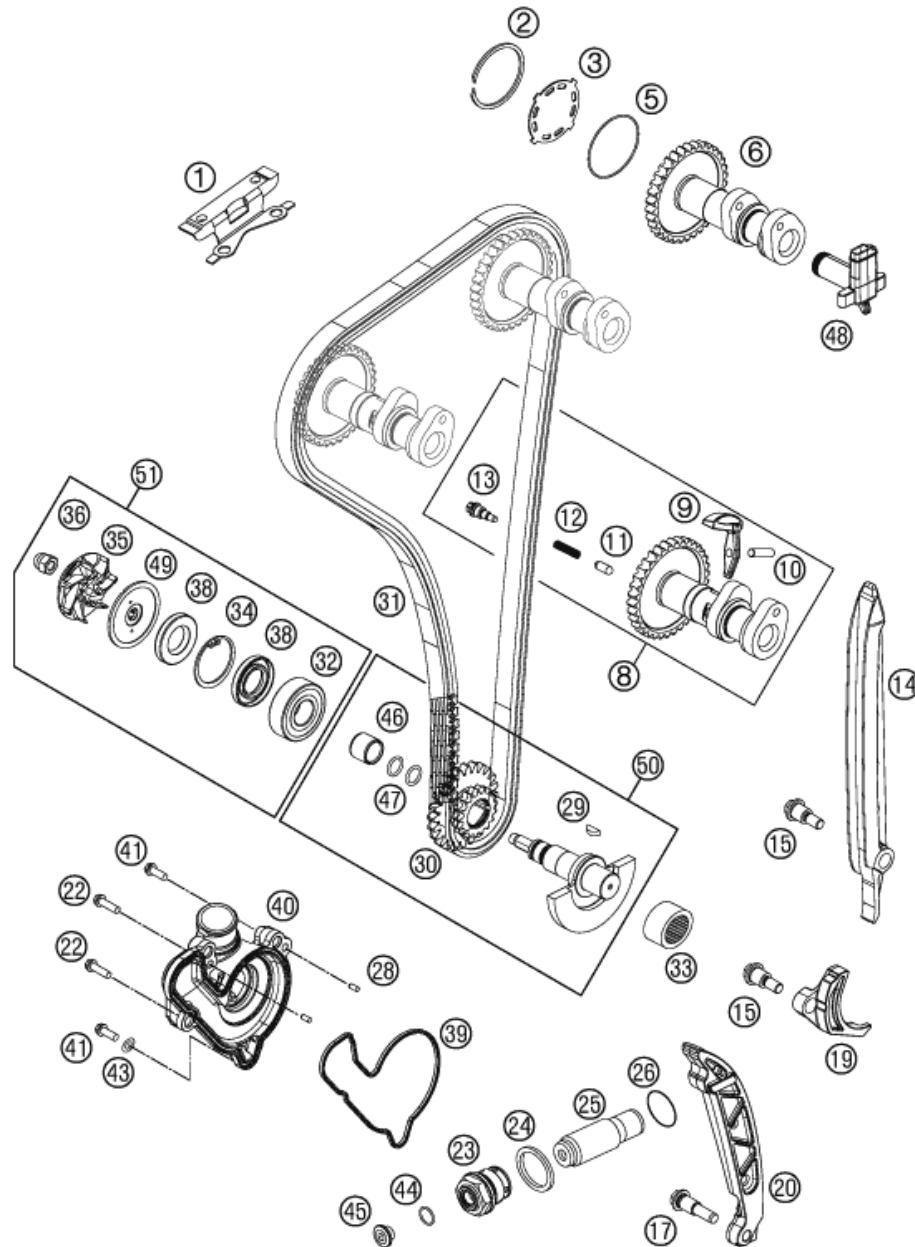
137773620

| POS | PARTNUMBER | PARTNAME | PIECE |
|-----|-------------|--------------------------------|-------|
| 1 | 77736004000 | TIMING CHAIN GUIDE TOP | 1 |
| 2 | 0472042150 | COPPER WASHER SB42 | 1 |
| 3 | 77736082000 | BREATHER PLATE | 1 |
| 5 | 0770400010 | O-RING 40,00X1,00 VITON | 1 |
| 6 | 77736009000 | CAMSHAFT INTAKE | 1 |
| 8 | 77736010044 | CAMSHAFT EXHAUST CPL. | 1 |
| 9 | 77736016000 | DECOMPRESSION LEVER CPL. | 1 |
| 10 | 0402051880 | NEEDLE ROLLER NRB 5X18,8 G2 | 1 |
| 11 | 77336016055 | DECO SPRING PIN L=10,6 07 | 1 |
| 12 | 77336017030 | SPRING FOR AUTO DECOMPR. | 1 |
| 13 | 77336017050 | DECO SCREW PLUG | 1 |
| 14 | 77236001000 | TIMING CHAIN GUIDE | 1 |
| 15 | 77236001160 | BUSHING SCREW M6 | 2 |
| 17 | 77236002160 | BUSHING SCREW M8 | 1 |
| 19 | 77236005000 | SECURING PROTECTION | 1 |
| 20 | 77236002000 | TENSIONING RAIL | 1 |
| 22 | 0025060406 | HH COLLAR SCREW M6X40 TX30 | 2 |
| 23 | 77336008000 | HOLDING BOLT M24X1,5 | 1 |
| 24 | 0603242920 | CU SEAL-RING DIN7603 A24X29X2 | 1 |
| 25 | 77036003000 | CHAIN ADJUSTER HYD. 05 | 1 |
| 26 | 0770180020 | O-RING 18,00X2,00 NBR 70 | 1 |
| 28 | 0402040980 | NEEDLE ROL.DIN5402 NRB 4X9,8 | 2 |
| 29 | 0888030037 | WOODRUFF KEY DIN6888-3X3,7 | 1 |
| 30 | 77236076000 | TIMING VALVE TWIN WHEEL | 1 |
| 31 | 77236013000 | TIMING CHAIN | 1 |
| 32 | 0625062022 | BALL BEARING 6202 C0 2 | 1 |
| 33 | 77230058000 | NEEDLE BEARING NK16/16 | 1 |
| 34 | 0472300120 | CIRCLIP 30X1,2 | 1 |
| 35 | 81235055020 | WATER PUMP ROTOR | 1 |
| 36 | 61230045000 | CAP NUT M6 STAINLESS STEEL | 1 |
| 38 | 07601530451 | SHAFT SEAL RING 15X30X4.5 BAUD | 2 |
| 39 | 77735053000 | WATER PUMP COVER GASKET | 1 |
| 40 | 77735052000 | WATERPUMP COVER | 1 |
| 41 | 0025060256 | HH COLLAR SCREW M6X25 TX30 | 2 |
| 43 | 0603061001 | CU-SEAL RING DIN7603-6X10X1 | 1 |
| 44 | 0770010010 | O-RING 10,00X1,00 NBR 70 SH | 1 |
| 45 | 77236080000 | SCREW PLUG | 1 |
| 46 | 77236072020 | WEAR BUSHING WAPU | 1 |

C157773620

* NEW PART

X ON DEMAND



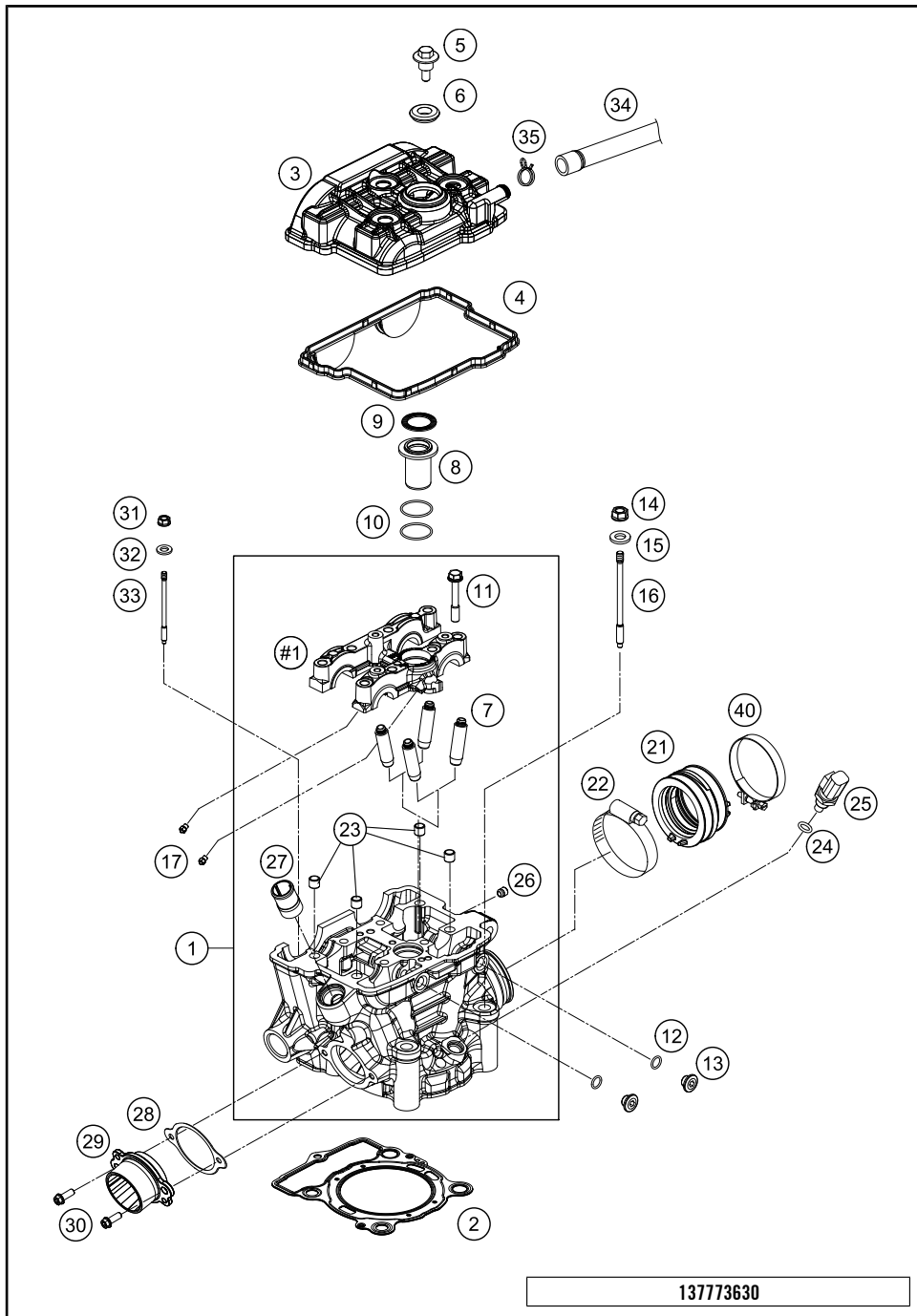
| POS | PARTNUMBER | PARTNAME | PIECE |
|-----|-------------|--------------------------------|-------|
| 47 | 07700900151 | O-RING 9x1,5 V80 SH | 2 |
| 48 | 77236081000 | ANGLE PIECE F. BREATHER SYSTEM | 1 |
| 49 | 81235055110 | DISC WATER PUMP | 1 |
| 50 | 77536072033 | BALANCER SHAFT CPL. | 1 |
| 51 | 77235055010 | WATER PUMP REP. KIT 11-14 | x |

137773620

C157773620

* NEW PART

X ON DEMAND



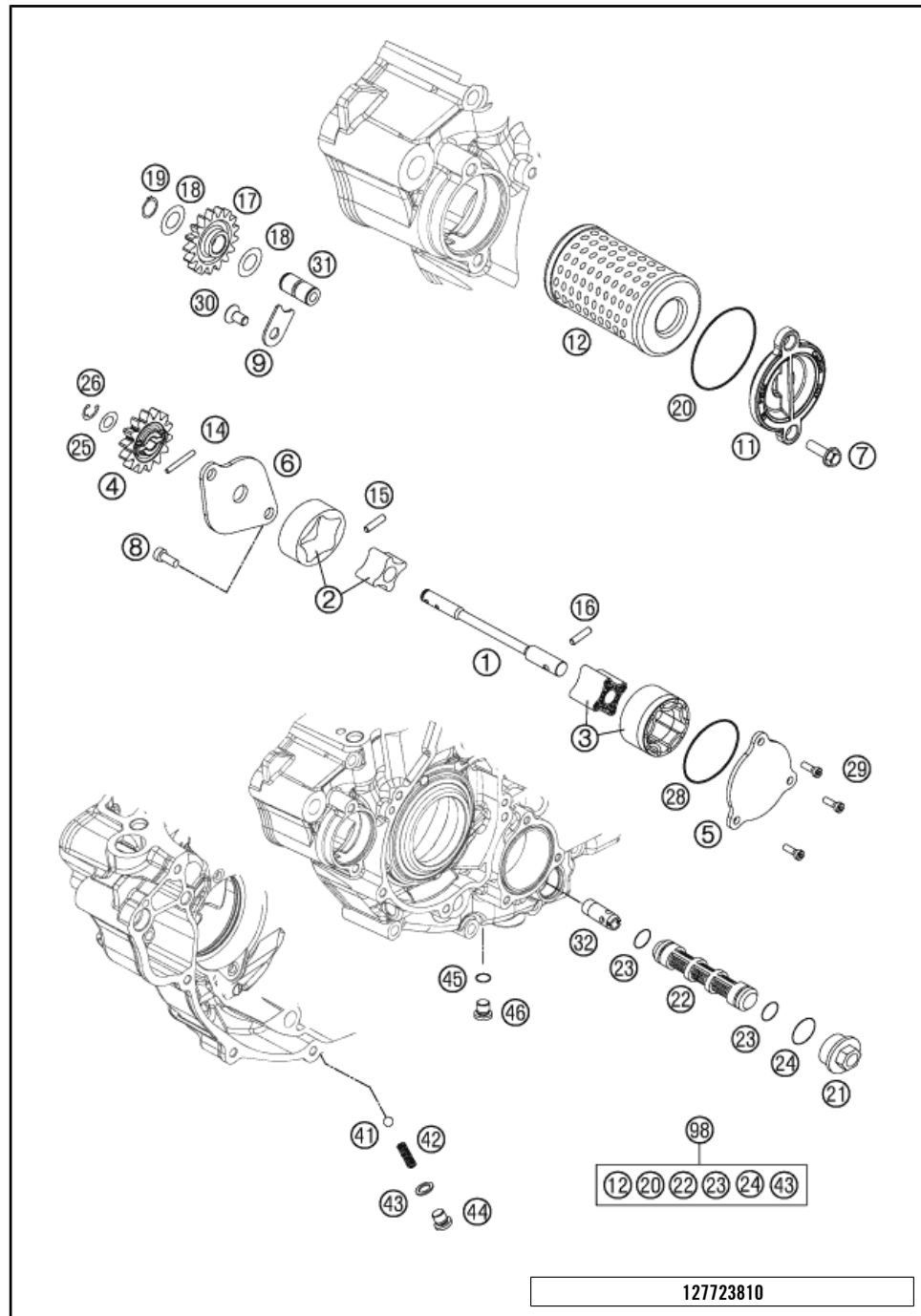
| POS | PARTNUMBER | PARTNAME | PIECE |
|-----|---------------|-------------------------------|-------|
| 1 | 77736020044 | CYLINDER HEAD CPL. | 1 |
| 2 | 77730036085 | CYLINDER HEAD GASKET | 1 |
| 3 | 7773605200033 | VALVE COVER | 1 |
| 4 | 77736053000 | VALVE COVER GASKET | 1 |
| 5 | 77336054150 | VALVE COVER SCREW | 3 |
| 6 | 77036054050 | RUBBER GASKET FOR SCREW 05 | 3 |
| 7 | 77136026001 | VALVE GUIDE OUTLET | 4 |
| 8 | 77736075000 | INSERT SPARK-PLUG SHAFT | 1 |
| 9 | 77336053050 | GASKET SPARK-PLUG SHAFT | 1 |
| 10 | 0770260015 | O-RING 1,5x26 | 2 |
| 11 | 77330067142 | HH COLLAR SCREW M7X1X42 | 8 |
| 12 | 07700900151 | O-RING 9x1,5 V80 SH | 2 |
| 13 | 77236080000 | SCREW PLUG | 2 |
| 14 | 77336088210 | COLLAR NUT M10X1,25 SW13 | 4 |
| 15 | 77336089010 | WASHER 19X10,5X2,5 | 4 |
| 16 | 77230044000 | STUD SCREW M10X1,25 | 4 |
| 17 | 60030063050 | OIL JET 50 05 | 4 |
| 21 | 77736044000 | RUBBER BOOT EFI | 1 |
| 22 | 61036047000 | HOSE CLAMP GEMI 63MM 05 | 1 |
| 23 | 77036090000 | DOWEL(BUSH BRIDGE)7/9/8 05 | 4 |
| 24 | 0770100020 | O-RING 10,00X2,00 SILCONE | 1 |
| 25 | 60011252000 | TEMPERAT.-SENSOR WATER LC8 02 | 1 |
| 26 | 59030296000 | SCREW PLUG | 1 |
| 27 | 58030010200 | SCREW IN NOZZLE M20X1,5 | 1 |
| 28 | 77236041000 | GASKET EXHAUST FLANGE | 1 |
| 29 | 77736039000 | ENGINEFLANGE | 1 |
| 30 | 0025060166S | HH COLLAR SCREW M6X16 ISA 30 | 2 |
| 31 | 77336088106 | COLLAR NUT M6X1 SW8 | 1 |
| 32 | 0125060003 | WASHER DIN0125-A 6,4 | 1 |
| 33 | 77330043000 | STUD SCREW M6 | 1 |
| 34 | 59031050100 | ENGINE BREATHER TUBE 00 | 1 |
| 35 | 58431082300 | CLAMP YDNAC 10173 (18MM) | 1 |
| 40 | 77236048000 | HOSE CLAMP GEMI 58MM | 1 |

137773630

C147773631

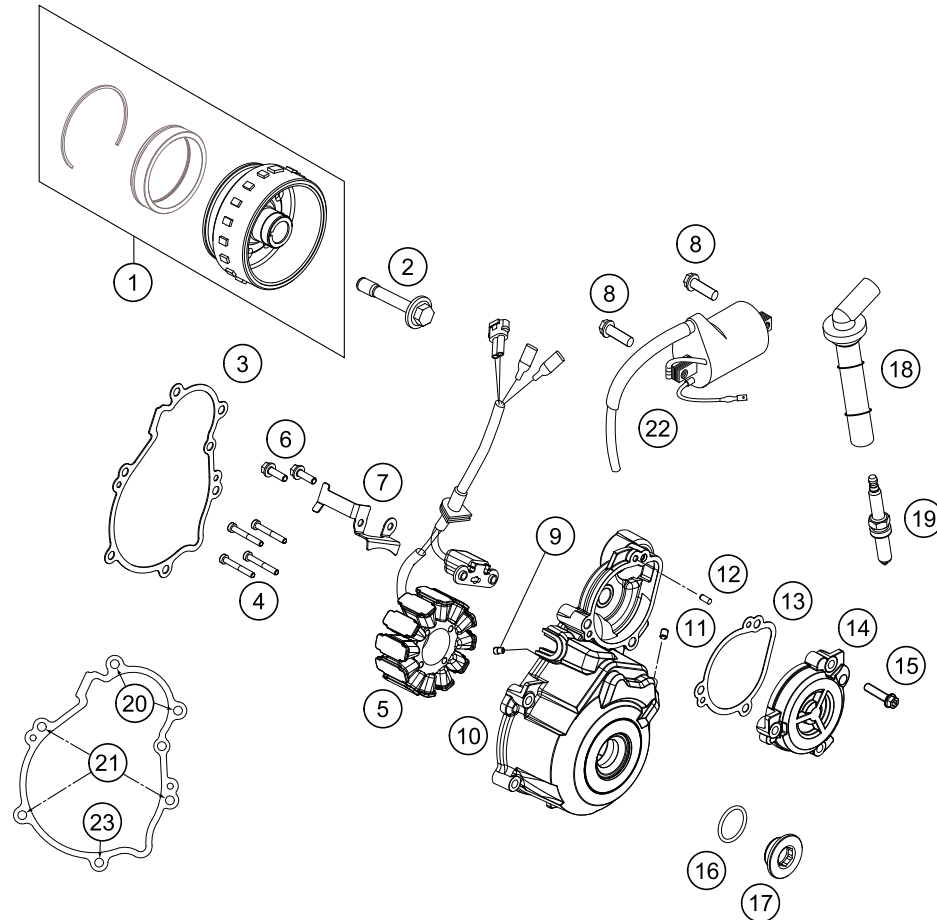
* NEW PART

X ON DEMAND



| POS | PARTNUMBER | PARTNAME | PIECE |
|-----|-------------|--------------------------------|-------|
| 1 | 77238102000 | OIL PUMP SHAFT | 1 |
| 2 | 59038011012 | OILPUMP ROTOR 12MM G-95R/003 | 1 |
| 3 | 61238111000 | ROTOR-SET CPL. 22MM | 1 |
| 4 | 77038001100 | OIL PUMP GEAR 14T 08 | 1 |
| 5 | 78038004000 | OIL PUMP COVER SUCTION PUMP | 1 |
| 6 | 77238003100 | OIL PUMP COVER R/S | 1 |
| 7 | 0025060166 | HH COLLAR SCREW M6X16 TX30 | 2 |
| 8 | 0984050123S | CYLIND. SCR. DIN6912 M5X12 8.8 | 2 |
| 9 | 77238061050 | AXIAL-CIRCLIP | 1 |
| 11 | 77338041200 | OIL FILTER COVER 08 | 1 |
| 12 | 77338005100 | OIL FILTER | 1 |
| 14 | 0402251980 | NEEDLEROL.DIN5402 NRA 2,5X19,8 | 1 |
| 15 | 0402251180 | NEEDLE ROLLER DIN5402 2,5X11,8 | 1 |
| 16 | 0402041580 | NEEDLE ROLLER NRB 4X15,8 G2 | 1 |
| 17 | 77038006100 | OILPUMP IDLER GEAR 08 | 1 |
| 18 | 0988121805 | SHIM WASHER DIN0988-12X18X0,50 | 2 |
| 19 | 0471120010 | CIRCLIP DIN0471-12X1 | 1 |
| 20 | 07703305178 | O-RING 33,05X1,78 | 1 |
| 21 | 59038017000 | PLUG M20X1,5 WS=13 | 1 |
| 22 | 59038016100 | OIL SCREEN | 1 |
| 23* | 07701250151 | O-RING 12,5X1,5 VITON V75 | 2 |
| 24 | 0770020170 | O-RING 17,17X1,78 GLO | 1 |
| 25 | 58038007755 | STOP DISK 8,1 X 15 X 0,5 | 1 |
| 26 | 0799060000 | TAB WASHER DIN6799-RS 6,0 | 1 |
| 28 | 0770440020 | O-RING 44,00X2,00 VITON | 1 |
| 29 | 0984050163S | CYL. SCREW DIN6912 M5X16 8.8 | 3 |
| 30 | 0018050103 | INT. TORX OVAL HEAD M 5X10 8.8 | 1 |
| 31 | 77038013100 | BUSHING PIN | 1 |
| 32 | 77038022000 | OIL INTAKEPIPE | 1 |
| 41 | 0401090003 | BALL DIN5401-9 | 1 |
| 42 | 58038023300 | PRESSURE SPRING L=25MM D=1MM | 1 |
| 43 | 58038022000 | CU-SEAL RING DIN7603-12X18X1,5 | 1 |
| 44 | 0908120153 | PLUG DIN0908-M12X1,5 | 1 |
| 45 | 0770110015 | O-RING 1,5X11 SILICON | 1 |
| 46 | 78036081000 | HOLDING BOLT M14X1,5 | 1 |
| 98 | 00050000083 | OILFILTER-GASKET SET 350 SX-F | x |

* NEW PART X ON DEMAND



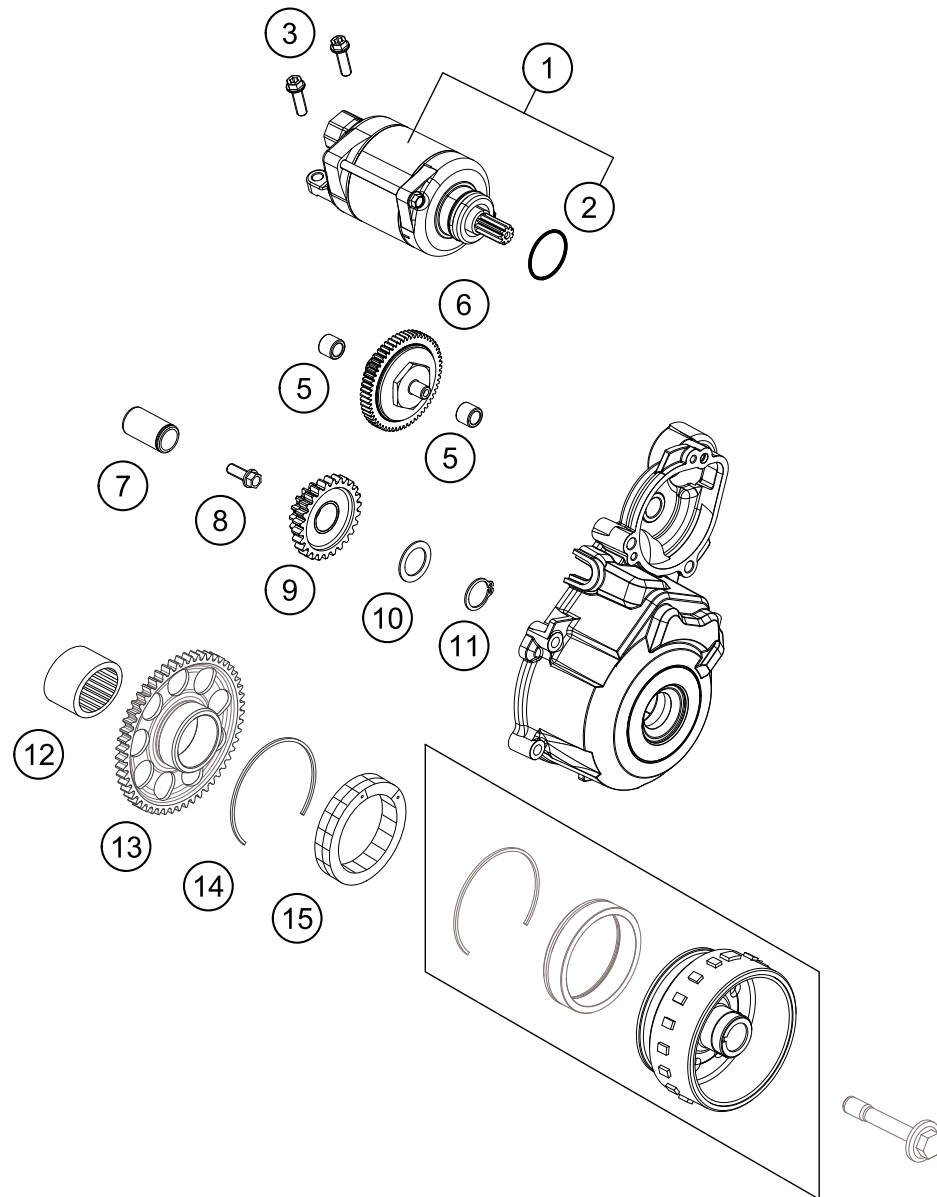
| POS | PARTNUMBER | PARTNAME | PIECE |
|-----|---------------|--------------------------------|-------|
| 1 | 77839005044 | ROTOR EFI CPL. | 1 |
| 2 | 77339010100 | FLYWHEEL SCREW | 1 |
| 3 | 77530040000 | IGNITION COVER GASKET | 1 |
| 4 | 0012040303 | AH SCREW DIN6912 M4x30 | 4 |
| 5 | 77239004000 | STATOR | 1 |
| 6 | 0025050166 | HH COLLAR SCREW M5X16 TX30 | 2 |
| 7 | 77230002050 | WIRING RETAINING BRACKET | 1 |
| 8 | 0025060166 | HH COLLAR SCREW M6X16 TX30 | 2 |
| 9 | 80030058060 | OIL JET "60" M4 | 1 |
| 10 | 7723000200015 | IGNITION COVER | 1 |
| 11 | 0913050063 | THREAD PIN DIN 913 M5X6 | 1 |
| 12 | 0402040980 | NEEDLE ROL.DIN5402 NRB 4X9,8 | 2 |
| 13 | 77240043000 | GASKET TORQUE LIMITER | 1 |
| 14 | 7723000201015 | COVER TORQUE LIMITER | 1 |
| 15 | 0025060256 | HH COLLAR SCREW M6X25 TX30 | 1 |
| 16 | 07700240251 | O-RING 24X2,5 VITON | 1 |
| 17 | 7723000206030 | FACTORY IGNITION COVER PLUG | 1 |
| 18 | 77739090000 | SPARK PLUG CONNECTOR | 1 |
| 19 | 77239093000 | PLUG NGK LMAR9AI - 8 | 1 |
| 20 | 0025060506 | HH COLLAR SCREW M6X50 TX30 | 2 |
| 21 | 0025060306 | HH COLLAR SCREW M6X30 TX30 | 3 |
| 22 | 58439006000 | IGNITIONCOIL IG3826 KOKUSAN'96 | 1 |
| 23 | 0025060406 | HH COLLAR SCREW M6X40 TX30 | 1 |

147773910

C157773911

* NEW PART

X ON DEMAND



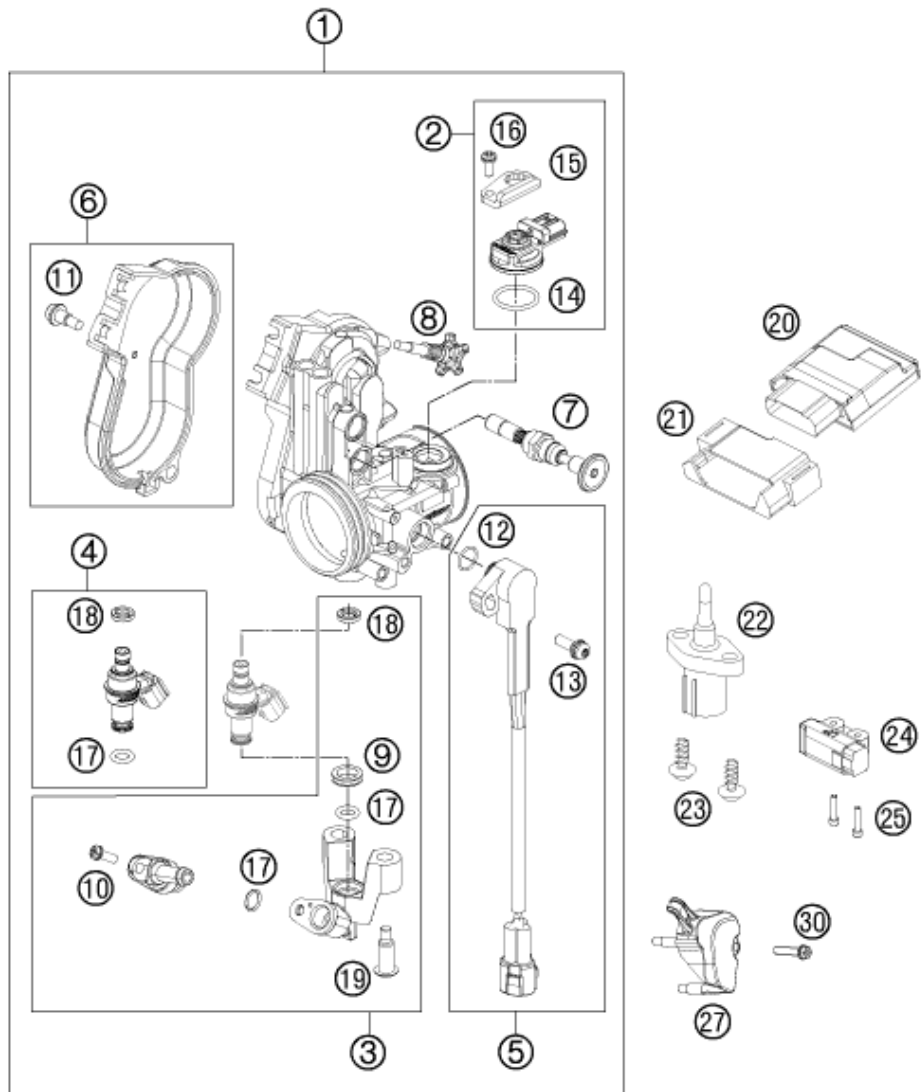
| POS | PARTNUMBER | PARTNAME | PIECE |
|-----|-------------|--------------------------------|-------|
| 1 | 77240001100 | E-STARTER ENGINE CPL. | 1 |
| 2 | 0770250030 | O-RING 25,00X3,00 NBR 70 | 1 |
| 3 | 0025060256 | HH COLLAR SCREW M6X25 TX30 | 2 |
| 5 | 0618081210 | NEEDLE BUSH HK 0810 DIN 618 | 2 |
| 6 | 77240016000 | TORQUE LIMITER | 1 |
| 7 | 59040028000 | BUSHING PIN | 1 |
| 8 | 0015060163 | HH COLLAR SCREW M 6X16 WS=8 | 1 |
| 9 | 77240022000 | INTERMEDIATE STARTING GEAR | 1 |
| 10 | 54633090000 | STOP DISK 17,2X25X1 | 1 |
| 11 | 0471170010 | CIRCLIP DIN0471-17X1 | 1 |
| 12 | 0618253216 | NEEDLE BUSH HK2516 25/32/16 02 | 1 |
| 13 | 77840020000 | FREEWHEEL GEAR | 1 |
| 14 | 0472057150 | CIRCLIP DIN0472-57X1,50 | 1 |
| 15 | 80040026000 | FREE WHEEL 03 | 1 |

147774010

C157774010

* NEW PART

X ON DEMAND



| POS | PARTNUMBER | PARTNAME | PIECE |
|-----|-------------|--------------------------------|-------|
| 1 | 77741001000 | THROTTLE BODY | 1 |
| 2 | 75041085044 | MAP SENSOR CPL. 07 | 1 |
| 3 | 77741013044 | FUEL RAIL CPL. | 1 |
| 4 | 77741023044 | INJECTOR KIT CPL. | 1 |
| 5 | 77741077044 | TPS CPL. | 1 |
| 6 | 81241056044 | THROTTLE COVER CPL. 09 | 1 |
| 7 | 77741070000 | STARTER VALVE COMP. | 1 |
| 8 | 77741060044 | IDLING ADJUSTING SCREW CPL. | 1 |
| 9 | 77741023030 | SEAL RING | 1 |
| 10 | 75041013010 | SCREW SHOULDER | 1 |
| 11 | 81241056020 | SPECIAL SCREW AH | 2 |
| 12 | 61041077010 | O-RING THROTTLE POS. SENSOR | 1 |
| 13 | 81241077030 | SPECIAL SCREW | 1 |
| 14 | 75041085010 | O-RING | 1 |
| 15 | 77741085020 | PLATE | 1 |
| 16 | 81241085030 | SPECIAL SCREW | 1 |
| 17 | 75041023020 | O-RING 7,2x2,2 | 2 |
| 18 | 75041023010 | SEAL RING | 1 |
| 19 | 75041013060 | SCREW SHOULDER | 2 |
| 20 | 81241031100 | ELECTRONIC CONTROL UNIT | 1 |
| 21 | 77241035050 | ECU SAFETY COVER | 1 |
| 22 | 61041080000 | AMBIENT-AIR TEMPERATURE SENSOR | 1 |
| 23 | 0025050166 | HH COLLAR SCREW M5X16 TX30 | 2 |
| 24 | 61041088000 | ROLLOVER SENSOR 05 | 1 |
| 25 | 0025060206 | HH COLLAR SCREW M6X20 TX30 | 2 |
| 27 | 77741077050 | PROTECTION CAP TPS | 1 |
| 30 | 0025050256 | HH COLLAR SCREW M5X25 ISA30 | 1 |

137894110

C157774110

* NEW PART

X ON DEMAND

WWW.KTM.COM



KTM-Sportmotorcycle AG
5230 Mattighofen, Austria
www.ktm.com



KTM_POWERPARTS

KTM_POWERWEAR

KTM_ORIGINAL SPARE PARTS



3CM0893300EN

Art. Nr.: 3CM0893300EN 2. Apr 2014