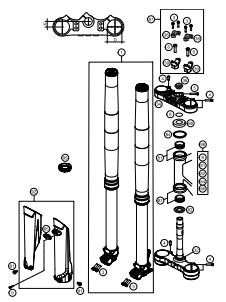
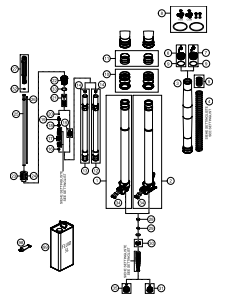
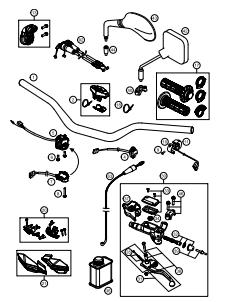
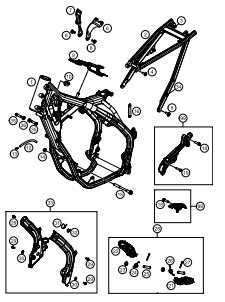
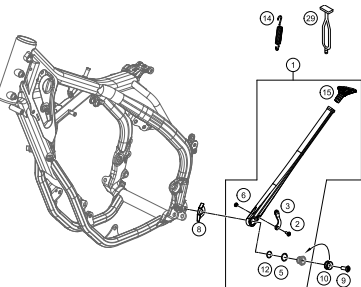
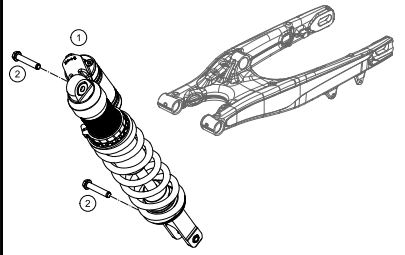
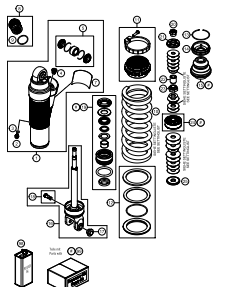
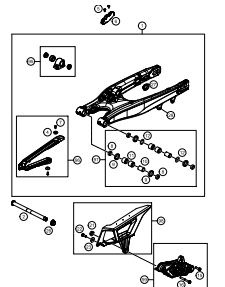
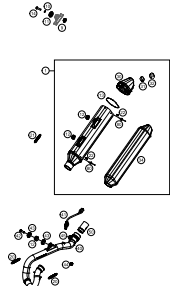
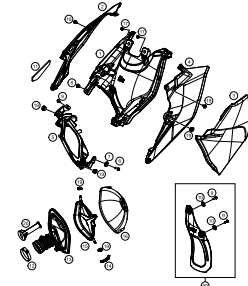
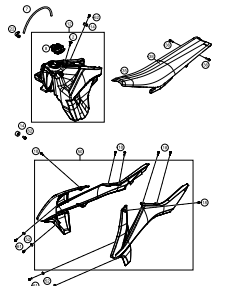
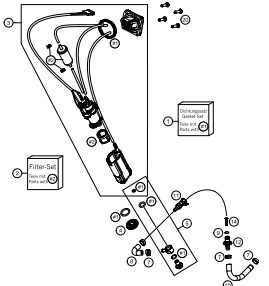
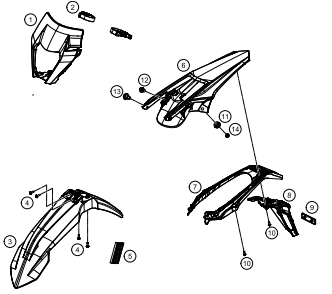
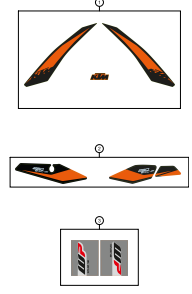
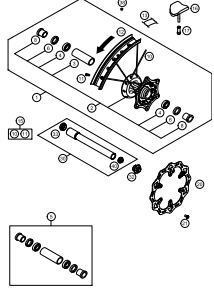
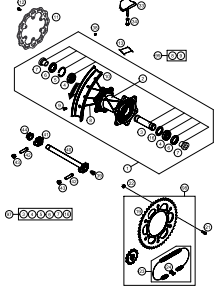
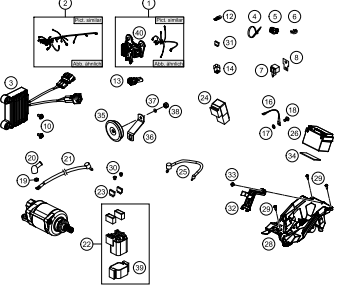
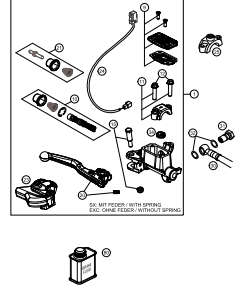
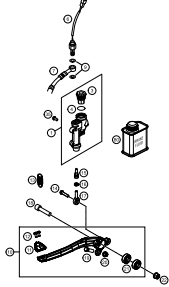
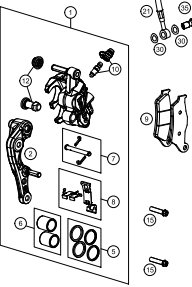
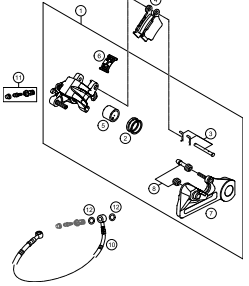
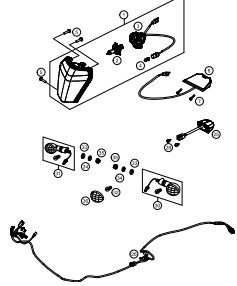
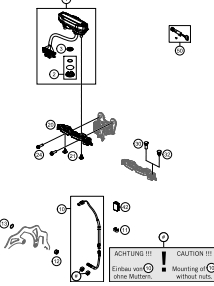
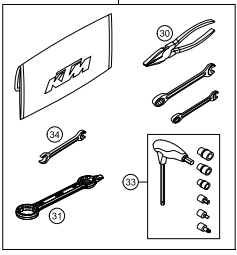


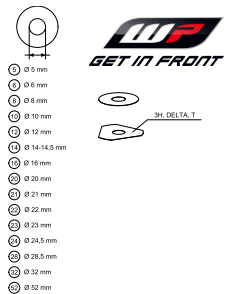

250 EXC-F 2019

ART.-NR.: F8103S9EN



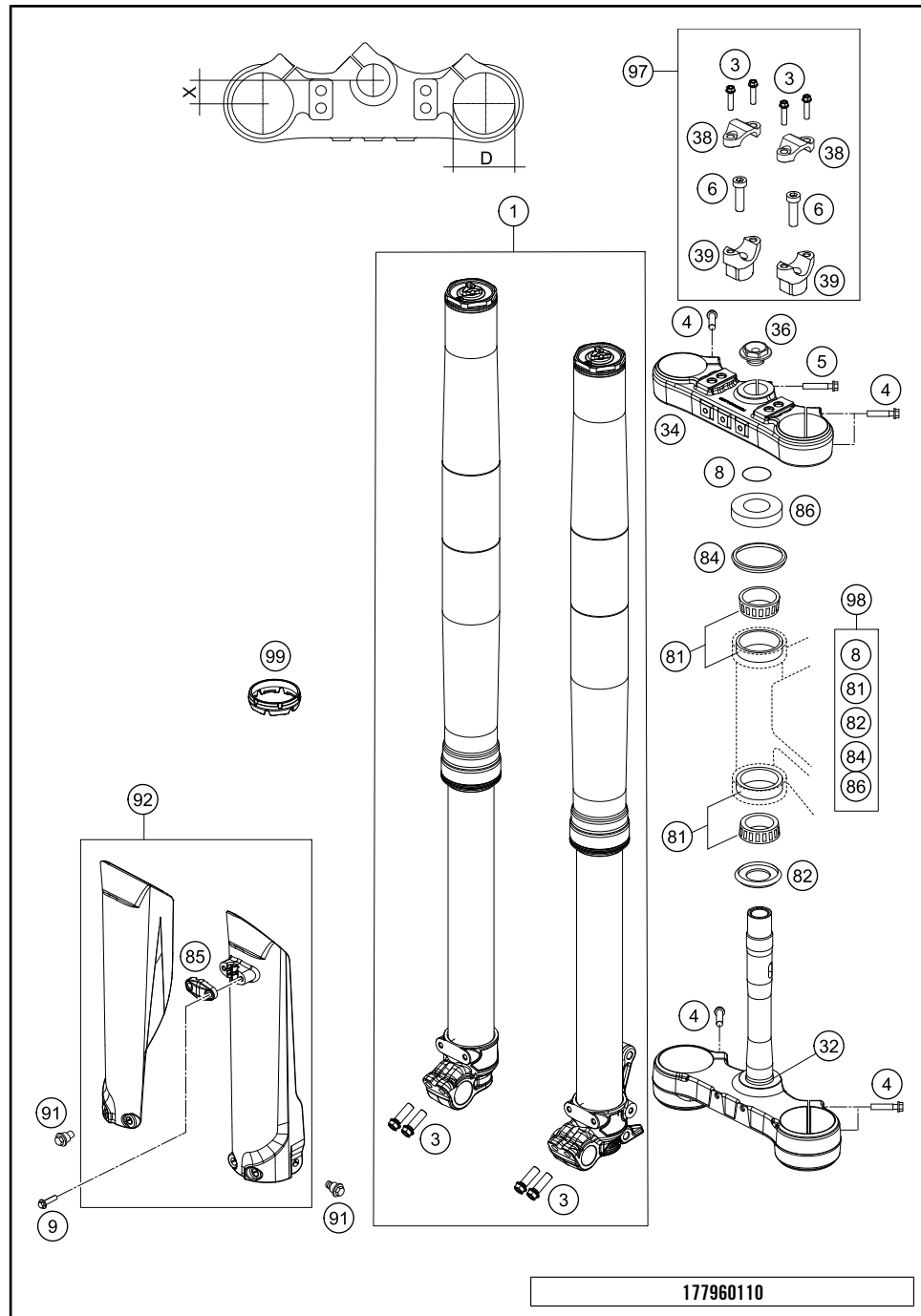
<p>FRONT FORK, TRIPLE CLAMP</p>  <p>4</p>	<p>FRONT FORK DISASSEMBLED</p>  <p>5</p>	<p>HANDLEBAR, CONTROLS</p>  <p>7</p>	<p>FRAME</p>  <p>8</p>
<p>SIDE / CENTER STAND</p>  <p>9</p>	<p>SHOCK ABSORBER</p>  <p>10</p>	<p>SHOCK ABSORBER DISASSEMBLED</p>  <p>11</p>	<p>SWING ARM</p>  <p>12</p>
<p>EXHAUST SYSTEM</p>  <p>13</p>	<p>AIR FILTER</p>  <p>14</p>	<p>TANK, SEAT</p>  <p>15</p>	<p>FUEL PUMP</p>  <p>16</p>

<p>MASK, FENDERS</p>  <p>17</p>	<p>DECAL</p>  <p>18</p>	<p>FRONT WHEEL</p>  <p>19</p>	<p>REAR WHEEL</p>  <p>20</p>
<p>WIRING HARNESS</p>  <p>21</p>	<p>FRONT BRAKE CONTROL</p>  <p>23</p>	<p>REAR BRAKE CONTROL</p>  <p>24</p>	<p>FRONT BRAKE CALIPER</p>  <p>25</p>
<p>REAR BRAKE CALIPER</p>  <p>26</p>	<p>LIGHTING SYSTEM</p>  <p>27</p>	<p>INSTRUMENTS / LOCK SYSTEM</p>  <p>28</p>	<p>SEPERATE ENCLOSURE</p>  <p>29</p>

<p>WP SHIMS FOR SETTING</p>  <p style="text-align: center; font-size: 2em;">30</p>			
	<div style="display: flex; align-items: center;">  <div> <p>All information contained is without obligation. KTM Sportmotorcycle GmbH particularly reserves the right to modify any equipment, technical specifications, prices, colors, shapes, materials, services, service work, constructions, equipment and the like so as to adapt them to local conditions or to cancel any of the above items, all without previous announcement and without giving reasons. KTM may stop manufacturing certain models without previous notice. KTM shall not be held liable for any deviations of availability and/or ability to deliver, illustrations, descriptions, printing and/or other errors. The illustrated models partly contain extra equipment, which is not applied to standard models.</p> <p>© by KTM Sportmotorcycle GmbH, Mattighofen AUSTRIA; All rights reserved; Reprint, also in extracts, with written allowance of KTM Sportmotorcycle GmbH, Mattighofen only.</p> </div> </div>		

FRONT FORK, TRIPLE CLAMP

250 EXC-F 2019

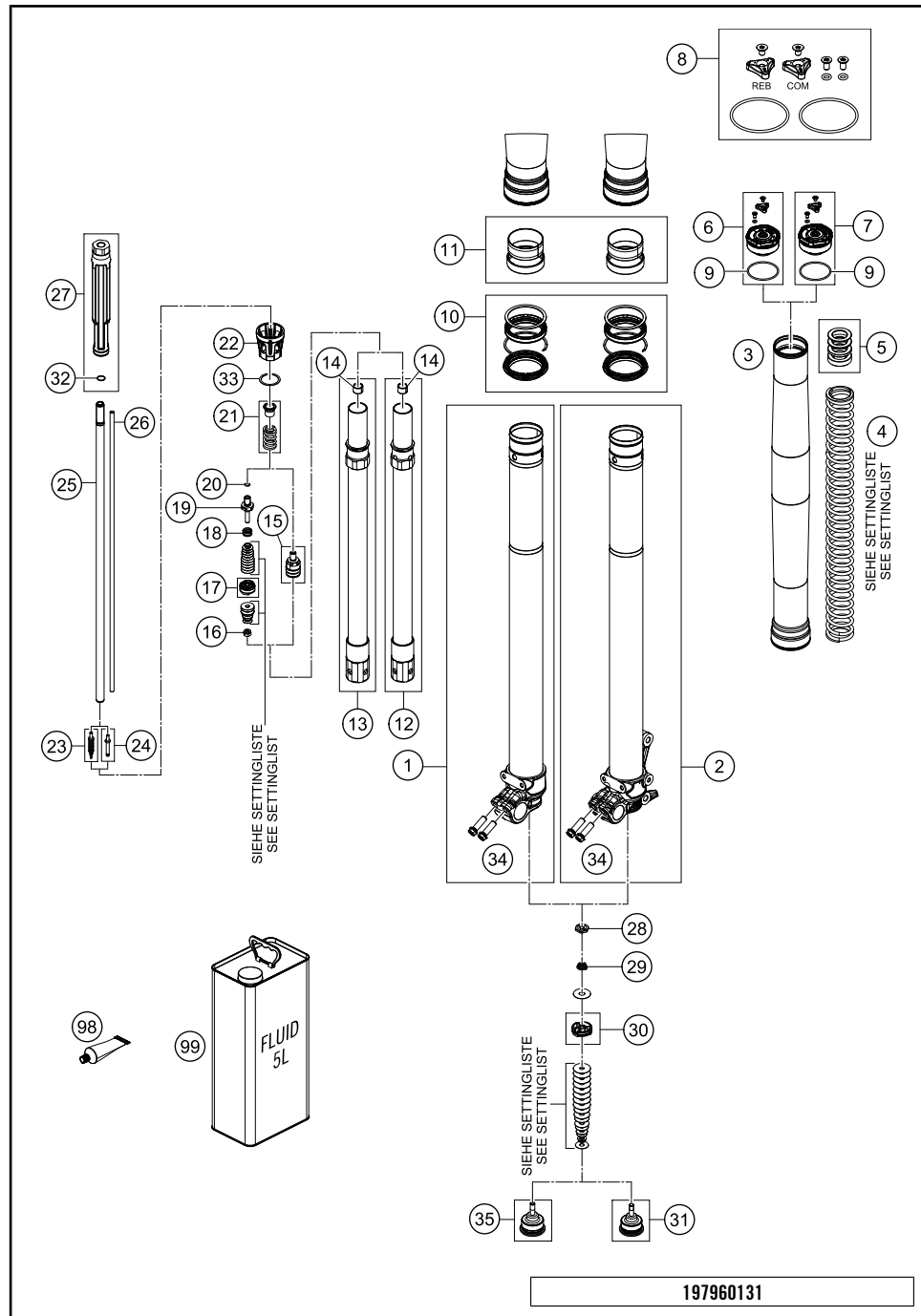


POS	PARTNUMBER	PARTNAME	PIECE
1*	14188S6701	Gabel Enduro 250 EXC-F	1
3	0025080256	HH collar screw M8x25 TX40	8
4	0025080306	HH collar screw M8x30 TX40	8
5	0025080356	HH collar screw M8x35 TX40	1
6	0032100356S	AH-COLLAR SCREW M10X35 ISA45	2
8	0770025035	O-RING 25X3,55 NBR70 05	1
9	0017060206	SCREW F. PLASTIC K60X20AL SW6	2
32	78101132122	BOTTOM TRIPLE CLAMP CPL.	1
34	78101034022	TOP TRIPLE CLAMP X=22MM	1
36	70009082000	AXLESCREW M20X1.5; SW17	1
38	77201038000	HANDLEBAR CLAMP 28MM	2
39	59401039032	HANDLEB.SUPP. D=28MM H=32MM 05	x
39	59401039037	HANDLEB.SUPP. D=28MM H=37MM 05	2
39	59401039042	HANDLEB.SUPP. D=28MM H=42MM 05	x
81	54201081100	TAPERED ROLLER BEARING CPL. 06	2
82	77701084000	O-RING SUPPORT W. SEALING LIP	1
84	54601184000	STEERING HEAD GASKET TOP	1
85	7770108510030	Clamp for brake hose, black	1
86	78101086000	STEERING HEAD COVER	1
91	59001092050	SPECIAL SCREW M6X12,5 WS=8	6
92*	7770109410030B	Fork Protection-Set EXC 19 WITH DECAL	1
97	00050000921	HANDLEBAR SUPPORT KIT D28/H37	x
98	00050000930	STEERING HEAD REP. KIT 06-15	x
99	486000698	FORK PROTECTION RING 08	2

177960110

50240

* NEW PART X ON DEMAND



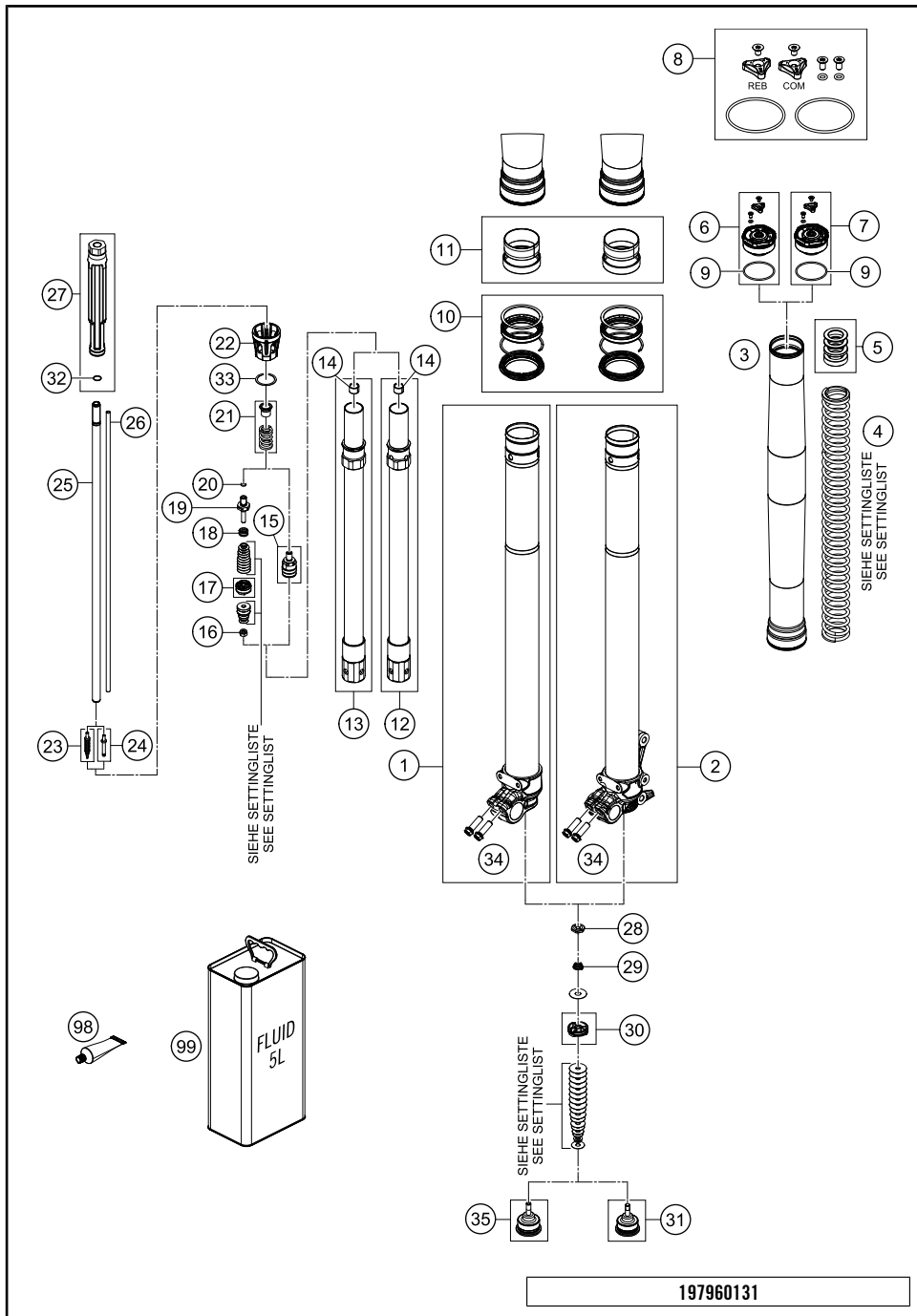
POS	PARTNUMBER	PARTNAME	PIECE
1*	48601933S1	Gabelfaust OC rechts kpl. mit Rohr	1
2*	48601932S1	Gabelfaust OC links kpl. mit Rohr	1
3	48601671	OUTER TUBE L577 D54/60MM 2L	2
4	91410099S	SPRING 3,8N/MM SET D=4,9MM	x
4	91410100S	SPRING 4,0N/MM SET D=4,9MM	x
4	91410101S	SPRING 4,2N/MM SET D=4,9MM	x
4	91410102S	SPRING 4,4N/MM SET D=4,9MM	x
4	91410103S	FORK SPRING L= 470 4,6 N/MM SET	x
4	91410104S	SPRING 4,8N/MM SET D=4,9MM	x
5	R14026	SPRING SPACER KIT	1
6	48601631S	SCREW CAP M51X 1,5 REB. CPL.	1
7	48601844S	Screw cap M51x1,5 compression cpl.	1
8	R14033	SCREW CAP SMALL PART KIT	1
9	48600048	O-RING NBR 46 X 2	2
10	R14046	REPAIR KIT 4860 PACK	1
11	R14047	REP. KIT GUIDE BUSHINGS	1
12*	48600763S5	Rohr inkl. Schraubhülse mit Bohrung	1
13*	48600763S6	Rohr inkl. Schraubhülse	1
14	48600430	DU BUSH FOR PISTON ROD	2
15*	48601843S3	Aufnahme Druckstufe kpl.	1
16	40540486	NUT M6X0,5 REBOUND	1
17*	48601817S	Kolben mit Kolbenband kpl.	1
18	48600382	SHUTTLE VALVE SPRING C=0,4	1
19	48600576	PISTON ROD REBOUND	1
20	48600299	O-RING 6X1,2 NBR	1
21	48600578S	SPRING REBOUND + SPRING GUIDE	2
22	48601298	SPRING SUPPORT	2
23	48600277S	ADJUSTING NEEDLE CPL.	1
24	48601558S	COMPRESSION ADJ. NEEDLE CPL.	1
25	48600568	PISTON ROD D=12 L=554 ALU	2
26	48601786	ADJUSTING PIPE	2
27	48601556S	HYDR. STOP L200 Ø31,9 CPL.07	2
28	48600163	CHECK VALVE NUT M6X0,5 D=2	2
29	48600202	SPRING CHECK VALVE D=0,7	2
30*	48601934S	Kolben Druckstufe kpl.	2
31	48601553S	SCREW CAP OC SPLIT CPL.	1
32	04500003	O-RING 11X2,5 NBR 70 SH PTFE	2
33	48601702	washer 27,5x33x0,3	2

197960131

49910

* NEW PART

X ON DEMAND

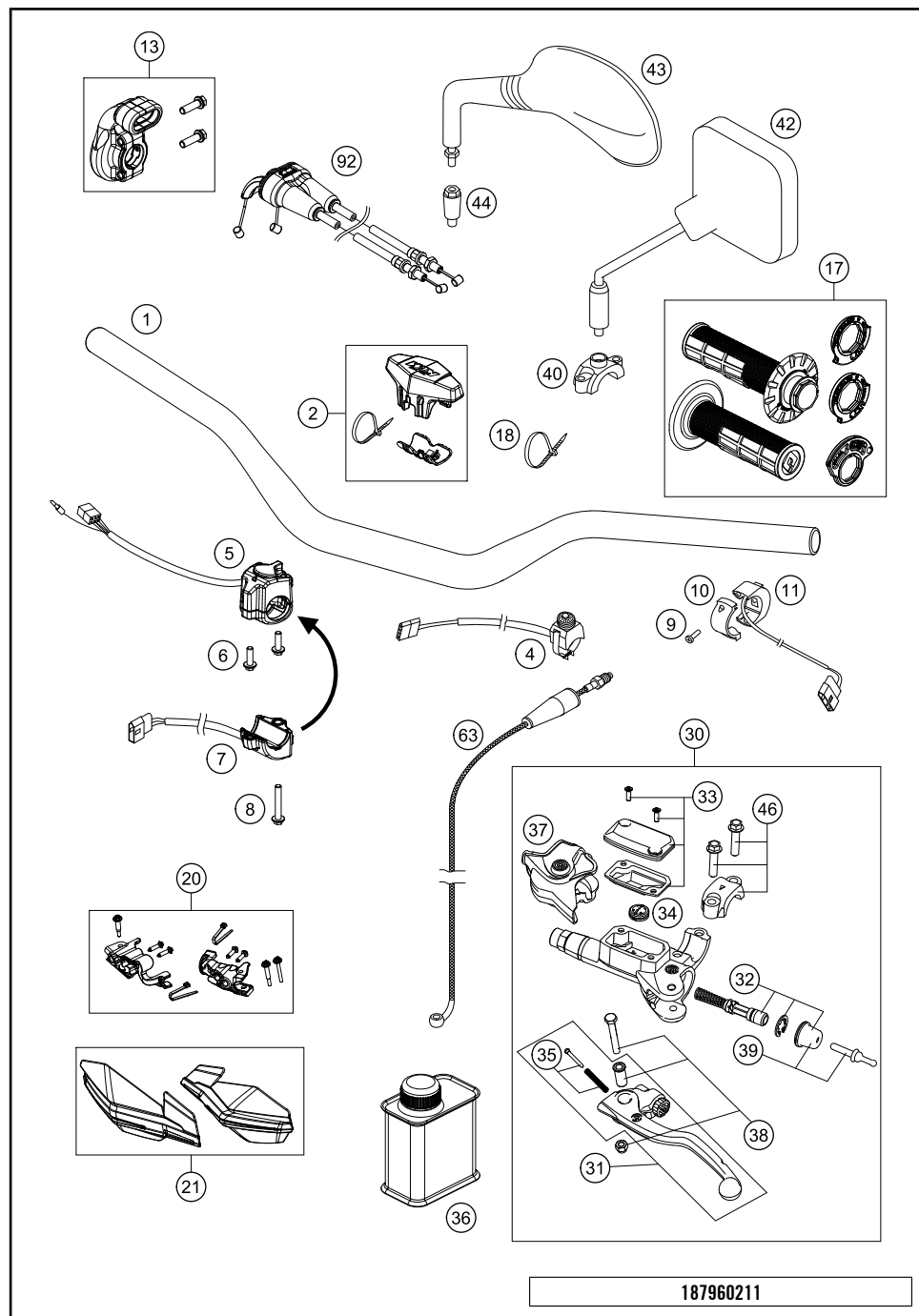


POS	PARTNUMBER	PARTNAME	PIECE
34	0025080256	HH collar screw M8x25 TX40	4
35*	48601980S	Schraubkappe OC Split	1
98	T14034	Fuchs grease IPR (250g)	1
99	48601166S1	FORK OIL SAE4 5L	1

49910

* NEW PART

X ON DEMAND



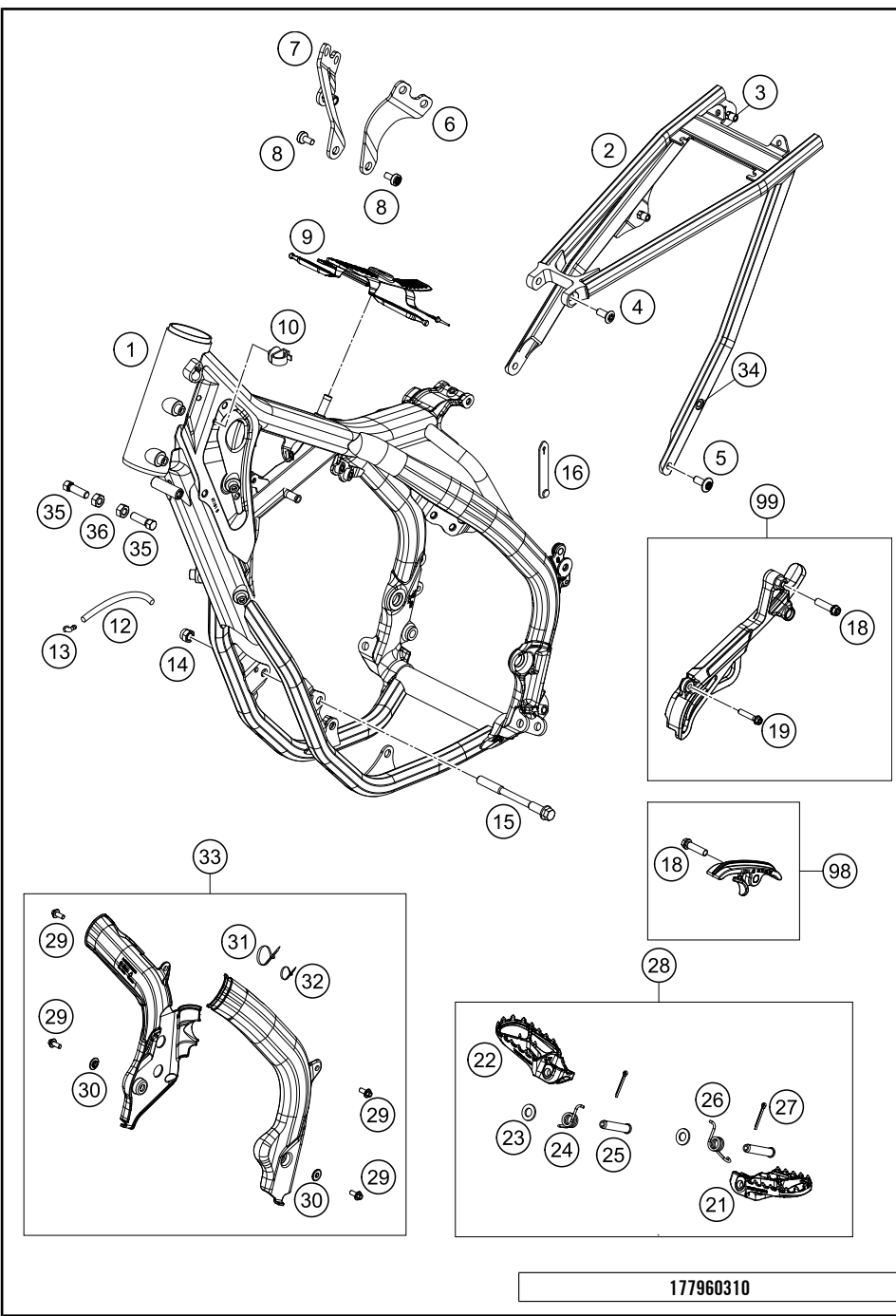
POS	PARTNUMBER	PARTNAME	PIECE
1	7800200100030	HANDLEBAR	1
2	77202002144	BAR PAD CPL.	1
4	78111074000	STARTER BUTTON GREY 13	1
5	78111070000	LIGHT SWITCH	1
6	0014050163	HH COLLAR SCREW M 5X16 WS=6	2
7	78111029000	FLASHER SWITCH	1
8	0014050303	HH COLLAR SCREW M5X30 SW=6	1
9	0985040203	FLAT HEAD SCREW DIN7985-M 4X20	2
10	50311074050	CLAMP ENGINE STOP SWITCH	1
11	50311074000	ENGINE STOP SWITCH CEV	1
13	79002010025	THROTTLE CONTROL CASING CPL.	1
17	79002021100	GRIP SET	1
18	44011076140	CABLE TIE 140/2,5MM BLACK	x
18	44011076200	CABLE TIE 200/3,6MM BLACK	x
20	79602084044	Handguard assembly kit	1
21*	79602182044EB	Handguard	1
30	54802030144	MASTER CYLINDER CPL.	1
31	54802031000	CLUTCH LEVER CPL. BREMBO 06	1
32	54802032000	REP. KIT PISTON 06	1
33	5480200310030	COVER HYD. CLUTCH CPL. 2014	1
34	54802051000	VALVE	1
35	54802052000	BOLT KPL.	1
36	00062030000	BRAKE FLUID DOT5.1 0,25L	1
37	54802037000	PROTECTION CAP 06	1
38	54802038100	LEVER SCREW CPL. 06	1
39	54802046000	PUSH ROD CPL.	1
40	58012040150	CLAMP FOR MIRROR '94	2
42	58012040000	REAR MIRROR L/S	1
42	58012140000	REAR MIRROR R/S	1
43	58412040000	MIRROR L/S 98	x
43	58412041000	MIRROR R/S 98	x
44	58412040050	SUPPORT FOR MIRROR LC4 '98	x
46	54802005100	CLAMP CPL. 06	1
63	79232063000	CLUTCH PIPE	1
92	79002091000	THROTTLE CABLE CPL. 4STROKE	1

187960211

50247

* NEW PART

X ON DEMAND



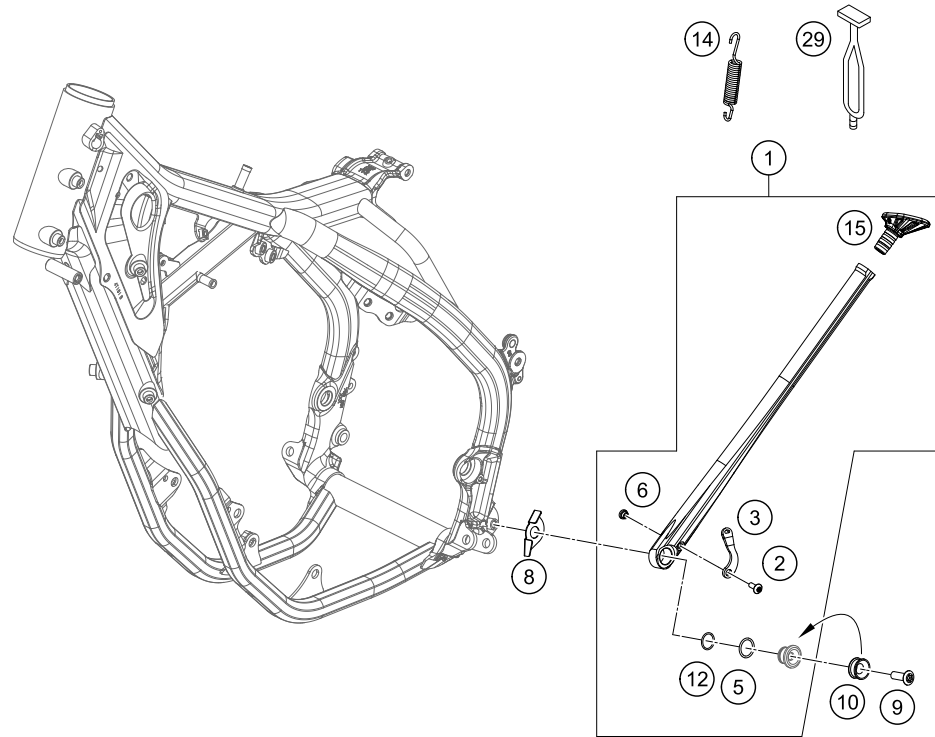
177960310

POS	PARTNUMBER	PARTNAME	PIECE
1*	79003101100EB	FRAME "790Q1" EL.ORANGE	1
2	79003002100	Subframe 2018	1
3	77303139000	BLIND RIVET NUT EM6-60LF/HX	2
4	0019080206S	FLAT HEAD SCREW M. ISA45 M8X20	2
5	79003003000	SPECIAL SCREW M8X18 TORX45 SS	2
6	79203113000	ENGINE BRACE LEFT	1
7	79203114044	ENGINE BRACE RIGHT CPL.	1
8	0035080156S	AH-COLLAR SCREW M8X15 TORX45	6
9	79607012000	TANK REST RUBBER	1
10	58111076000	CABLE SUPPORT KHS NR.150-47610	2
12	55007016001	PVC-HOSE 7X10 PER METER	x
13	50303089000	ANGLE PIECE '97	1
14	54310086100	SELF LOCKING NUT M10 CU WS=14	2
15	77203014000	engine brac.scr. M10x115	2
16	60011093075	RUBBER CABLE TIE 75MM 03	1
18	0025080306	HH collar screw M8x30 TX40	2
19	0025060356	HH collar screw M6x35 TX30	1
21	79603040000	FOOTREST L/S EXC 2017	1
22	79603041000	FOOTREST R/S EXC 2017	1
23	0125100003	washer DIN 125 A 10.5	2
24	79003044000	FOOTREST SPRING R/S 2016	1
25	54803044000	PIN FOR FOOT PED 51.5X9.8 MM	2
26	79003045000	FOOTREST SPRING L/S 2016	1
27	0094032253	PIN DIN0094-3,2X25 STEEL	2
28	79603040033	FOOTREST-SET	1
29	0014050123	HH COLLAR SCREW M 5X12 WS=6	4
30	54803092060	BUSH F. FRAME PROTECTION 03	2
31	44011076305	CABLE TIE 300/4,8MM BLACK	3
32	44011076140	CABLE TIE 140/2,5MM BLACK	1
33*	79003094000EB	FRAME PROTECTION SET ORANGE	1
34	79003002080	BLIND RIVET NUT M6 KNURLED	2
35	59001037000	SPECIAL SCREW M8X26 WS=10	2
36	0934080003	HEXAGON NUT DIN0934-M 8	2
98	79003053010	CHAIN SLIDING KIT BELOW CPL.16	1
99	79003096010	SPROCKET COVER KIT	1

50238

* NEW PART

X ON DEMAND



POS	PARTNUMBER	PARTNAME	PIECE
1	79003023044	SIDE STAND CPL. EXC 16	1
2	58605083014	SCREW M5X14 TORX 25 07	1
3	79003023090	SPRING BRACKET EXC 16	1
5	0770180020	o-ring 18.00x2.00 NBR70	1
6	78003023070	SPACER BUSH. SPRING BRACKET	1
8	79003023050	SIDE STAND STOP PLATE	1
9	0019080266S	COUNTER-SUNK SCREW ISA45 M8X26	1
10	78003023081	SIDE STAND BUSHING EXC-EU 08	1
12	0770125015	O-RING 12,5X1,5 NBR	1
14	79003024000	SIDESTAND SPRING EXC 16	1
15	78003023155	STAND BASE	1
29	50303018000	RUBBER L=145MM	1

187960360

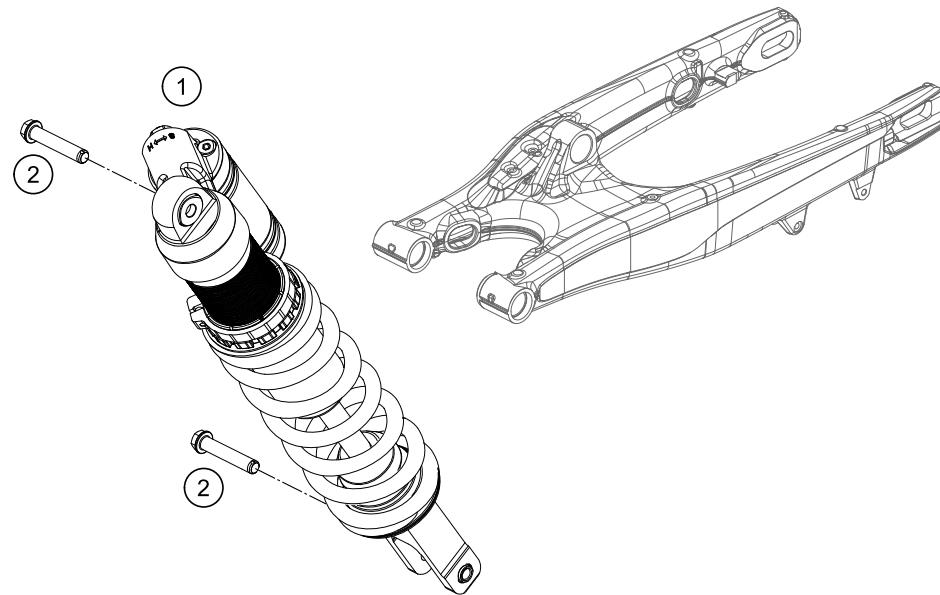
49783

* NEW PART

X ON DEMAND

SHOCK ABSORBER

250 EXC-F 2019



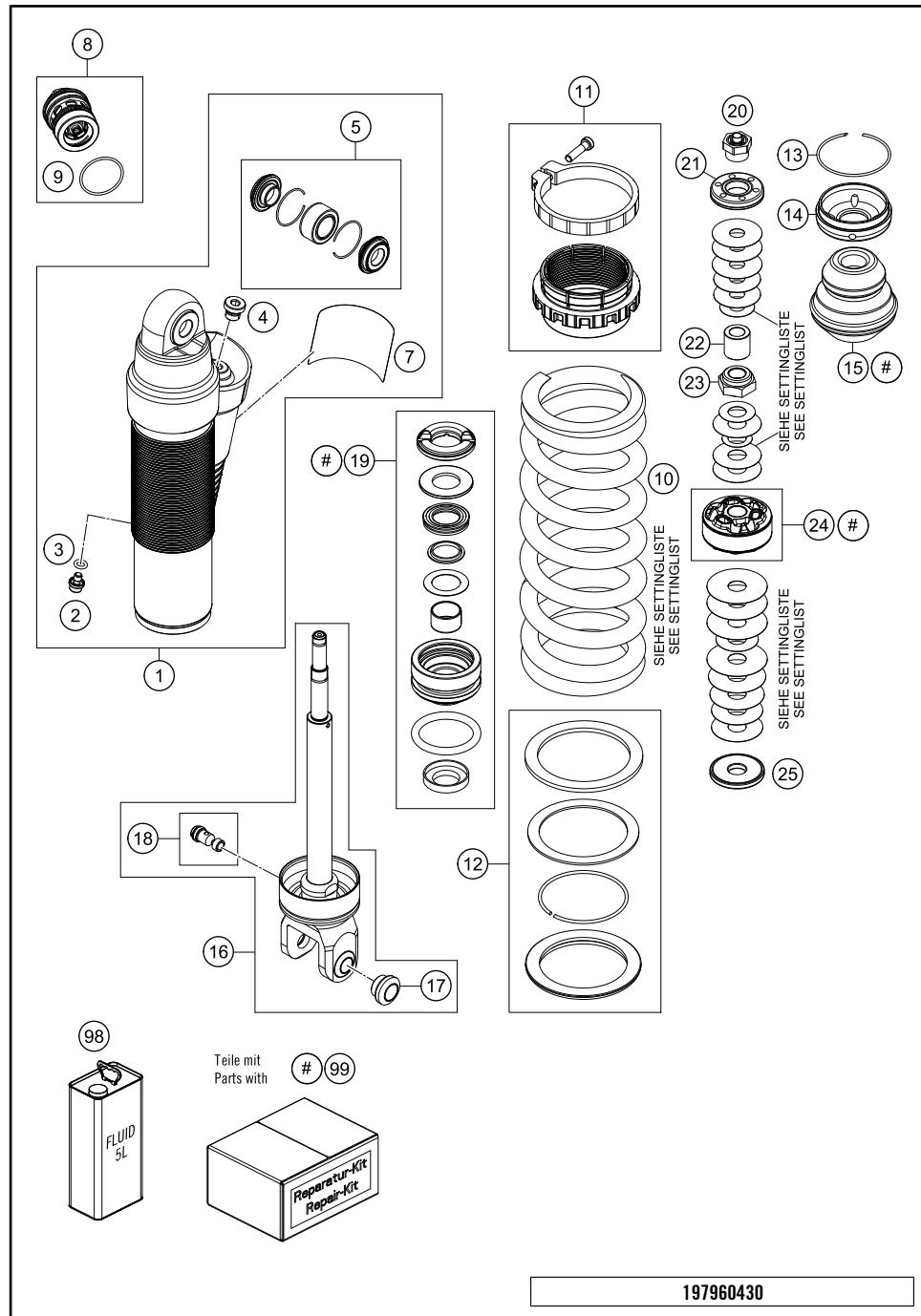
POS	PARTNUMBER	PARTNAME	PIECE
1*	12187S6301	Federbein Enduro 250/300	1
2	0025120506S	HH COLLAR SCREW M12X50 TX45	2

127750410

50239

* NEW PART

X ON DEMAND

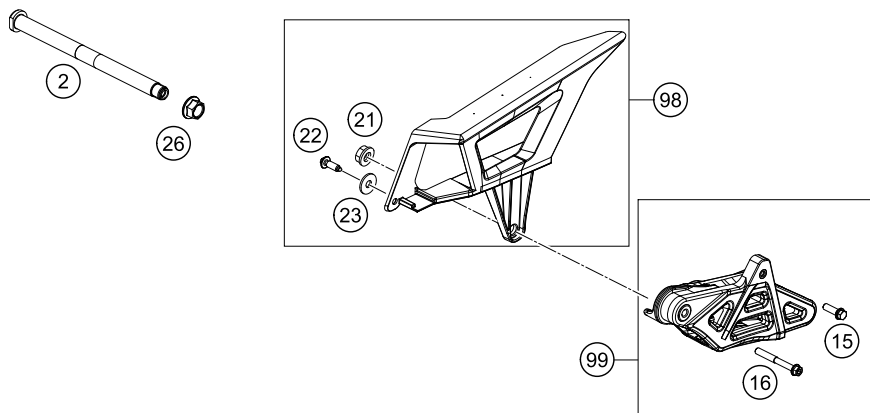
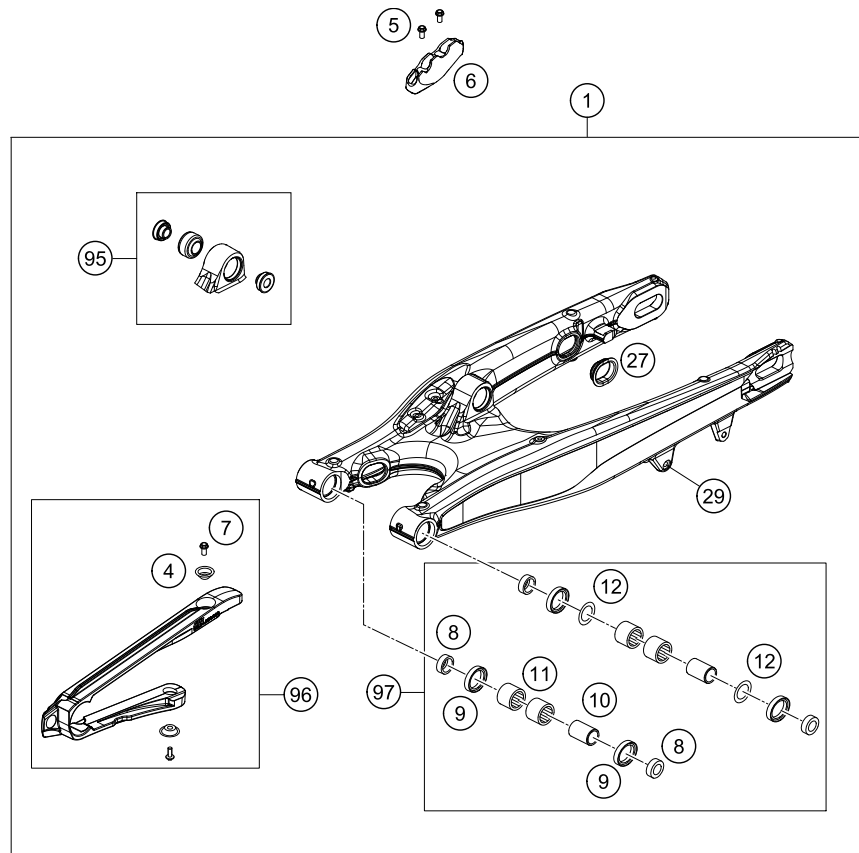


POS	PARTNUMBER	PARTNAME	PIECE
1	46181242S1	MONOSHOCK CASE M53X1 INC PIPE	1
2	36120151	SCREW PLUG M5X6	1
3	46810893	O-RING NBR 5,28X1,78	1
4	50180095	BLEED PLUG R 1/8	1
5	RP10011	BEARING KIT KGW D12	1
7	52000170	"STICKER WP WARNING ""XPLOR PDS"" "	1
8	50181101S5	DCC PDS 2017 CPL.	1
9	50180217	O-RING 27X1,5 VITON	1
10	91010348	SPRING 57-60-63 225MM WHITE	x
10	91010349	SPRING 60-63-66 225MM WHITE	x
10	91010350	SHOCK SPRING L= 225 63-66-69 N/MM WHITE	x
10	91010351	SPRING 66-69-72 225MM WHITE	x
10	91010353	SPRING 54-57-60 225MM WHITE	x
11	46181228S	SPRING SUPPORT PLASTIC 46 CPL.	1
12	RP10005	SPRING CUP SET PDS 17	1
13	46810010	CIRCLIP 49X1,5	1
14	46180338	CAP D=46 H=9,5	1
15	46181237	BUMP RUBBER Ø58 Ø17 H55 PDS 2017	1
16	46181236S1	MONOSHOCK LOWER PART CPL.	1
17	50180105	THREADED BUSH M12 PDS	1
18	50181094S	ADJUSTING SCREW M8X0,5 CPL.	1
19	46180669S	ADAPTOR CPL. D=46 H=28 07	1
20	46181183S	NUT M10X1 PDS	1
21	46181184	PISTON Ø35,5 PDS	1
22	46181025	SANDWICH BUSH 10X17X17	1
23	46810474	PISTON ROD NUT	1
24*	46181328S	Kolben Ø46mm H=20mm kpl.	1
25	46181194	REBOUND WASHER 12X36 T4 H0	1
98	50180751S1	SHOCK ABSORBER FLUID 5 LT	x
99*	RP10020	Reparaturkit Federbein PDS 19	1

197960430

49913

* NEW PART X ON DEMAND



175040490

POS	PARTNUMBER	PARTNAME	PIECE
1	79604030044	SWING ARM CPL. PDS 2017	1
2	79004037000	SWING ARM M16X1,5 2016	1
4	77304066050	chain slider bushing	2
5	0009050106	EJOT SPIRAL SCREW SF M5X10-K	2
6	77313047000	BRAKE HOSE GUIDE LOWER 07	1
7	59009062013	SPECIAL SCREW M6X13 WS=8 10.9	2
8	77704034000	SUPPORT F. SHAFT SEAL RING 16	4
9	0760253270	radial shaft seal 25x32x7	4
10	59404032000	BEARING SLEEVE 17X22X38,7 03	2
11	0618222812	NEEDLEBEAR HK2212V 22/28/12 MB	4
12	54603036000	STOP DISK 22,2X31,7X1	2
15	59009062019	SPECIAL SCREW M6X19 WS=8 10.9	1
16	0025060506	HH collar screw M6x50 TX30	1
21	56509064100	SELF LOCKING NUT M6 10.9	1
22	0017060205	SCREW FOR PLASTIC K60X20 SW6	1
23	0021060003	WASHER DIN9021-A 6,4	1
26	54804038000	SELF LOCK.NUT M16X1,5 WS=19 03	1
27	77204041000	CLOSING COVER	4
29	54603055051	PRESS IN NUT M6 STEEL ZINC	1
95	79604090044	PIVOT BEARING+BUSH. PDS '17	1
96	51504066044	CHAIN SLIDING GUARD KIT 11-15	1
97	78904230010	SWINGARM REPAIR KIT SX-F/XC-F	x
98	78104060010	CHAIN PROTECTION KIT EXC 12-14	x
99	78104070010	CHAIN GUIDE KIT EXC 14-15	x

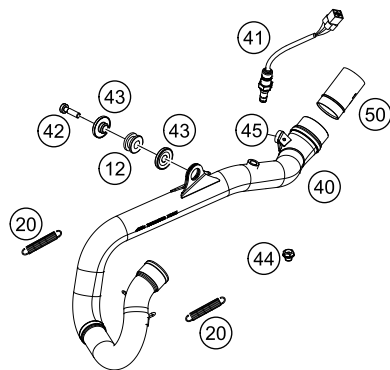
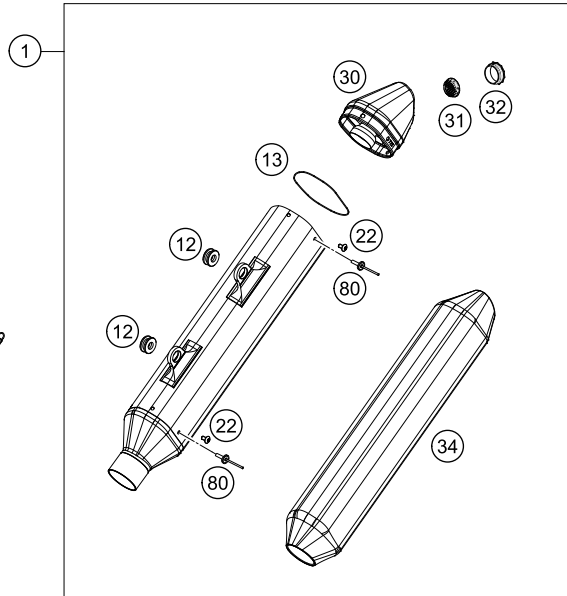
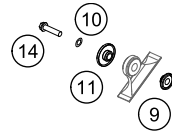
18012

* NEW PART

X ON DEMAND

EXHAUST SYSTEM

250 EXC-F 2019



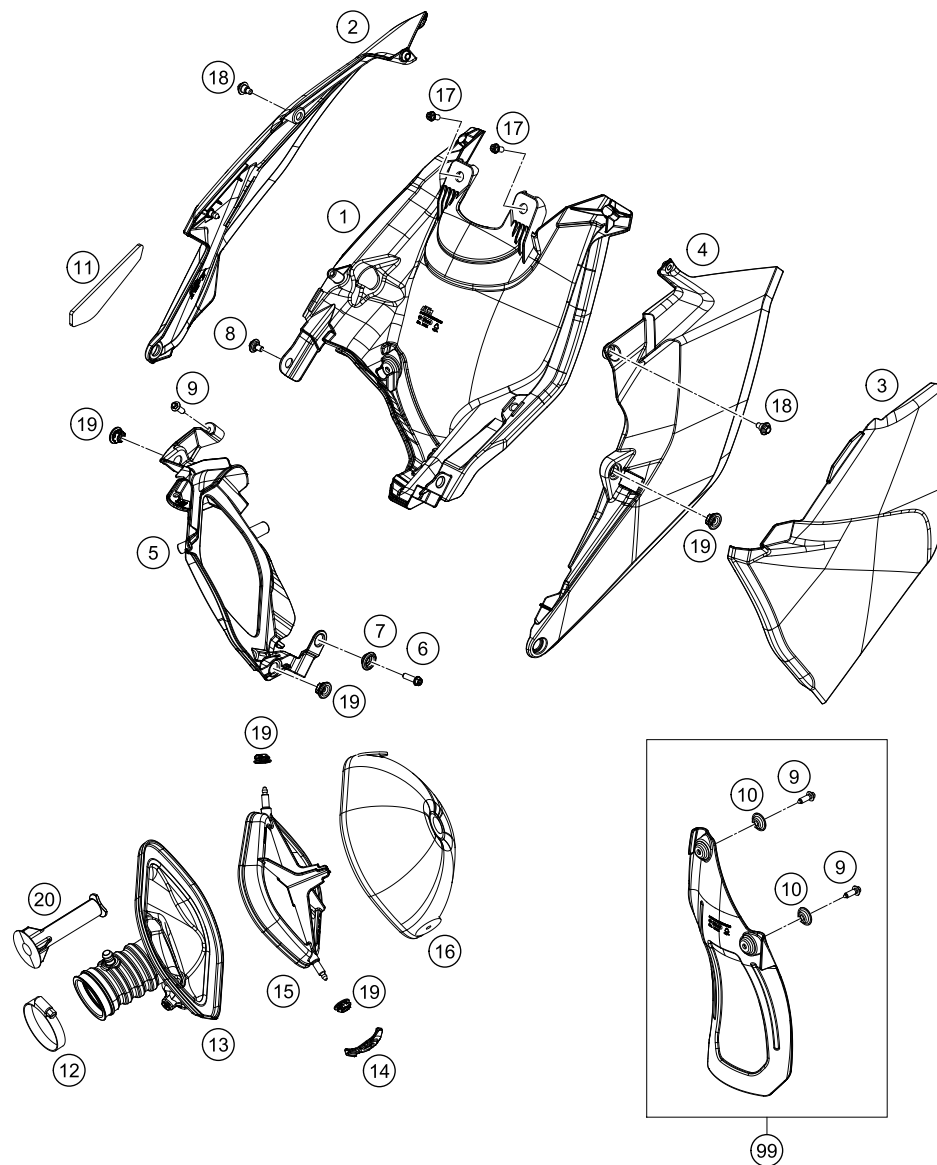
POS	PARTNUMBER	PARTNAME	PIECE
1	79005081000	MAIN SILENCER	1
9	77205069000	BUSHING 7.5x12x20x8.2 11	2
10	50233041000	PAIR OF WASHERS M 6 NORDLOCK	2
11	77205169000	BUSHING 7.5x12x28x8.3 11	2
12	77205068000	DAMP. COMPON. BLACK	3
13	0770740015	O-RING 74,00X1,50 FKM 75SH	2
14	0025060356	HH collar screw M6x35 TX30	2
20	50305016000	TEN.SPRING L=62MM EY.MOVEABLE	2
21	50305116000	TEN.SPRING L=75MM EY.MOVEABLE	1
22	78105081010	SCREW TORX M5X10	10
30	79005081060	END CAP CPL.	1
31	77005081065	THROTTLE ELEMENT CPL. EXC 07	1
32	77005081055	SIL. ELEMENT EXC-F 07	1
34	79005078640	ROCK WOOL SHAPED PART	1
40	79005009000	EXHAUST PIPE 250 EXC	1
41	75041090200	LAMBDA SENSOR	1
42	0035080306S	AH-COLLAR SCREW M8X30 ISA45	1
43	79005069000	BUSHING 8,5X12X28X8,3	2
44	77405009065	PLUG SCREW M12X1,25 WS17	1
45	54308042000	RUBBER BUFFER	1
50	79605091000	PLUG IN CATALYTIC CONVERTER	1
80	0011401200	DUMMY RIVET 4,0X12 ALU	x

177960510

18230

* NEW PART

X ON DEMAND



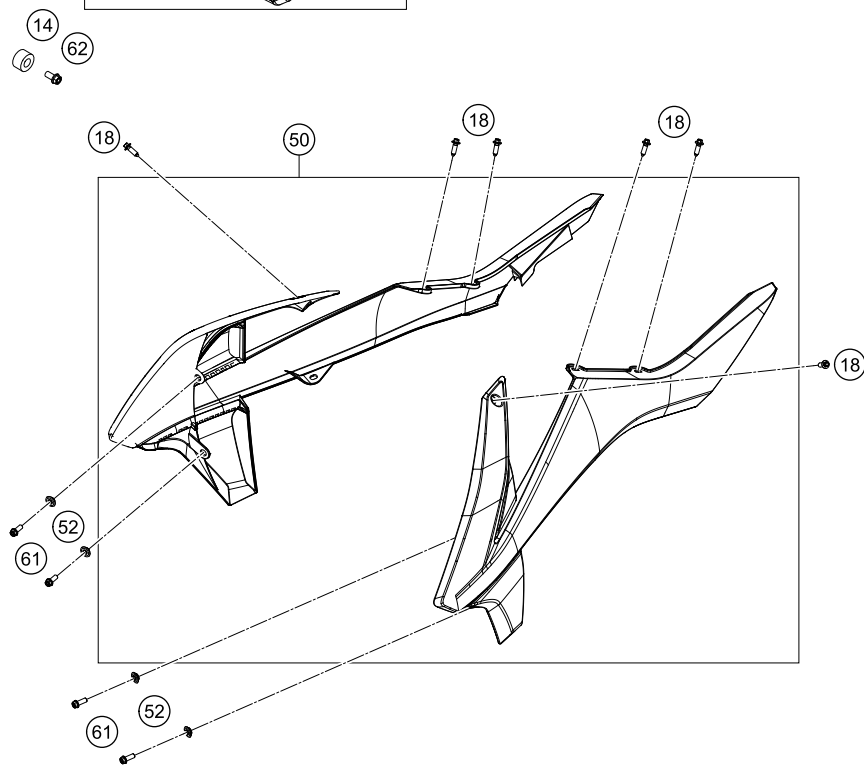
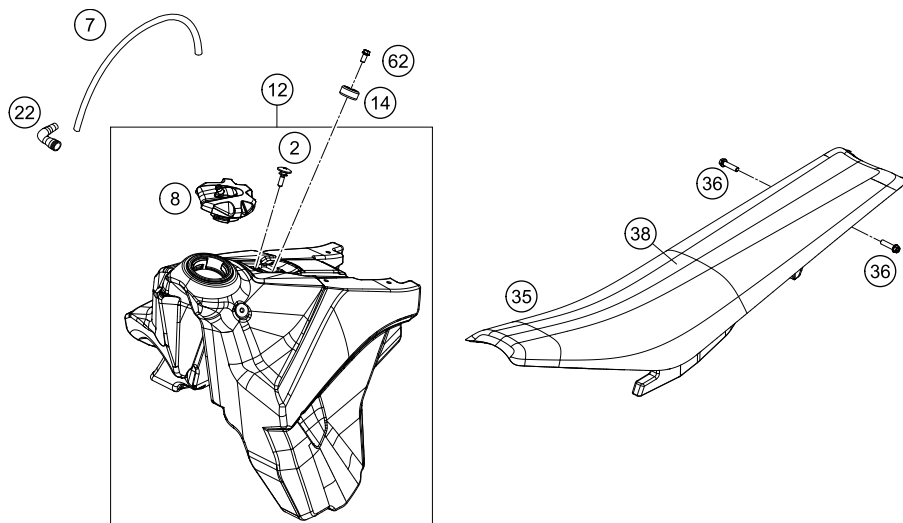
POS	PARTNUMBER	PARTNAME	PIECE
1	7900600100033	AIR BOX BOTTOM PART BLACK	1
2*	79006004000EB	AIRBOX COVER RIGHT	1
3*	79006003000EB	AIRBOX COVER LEFT	1
4*	79006007000EB	AIRBOX SIDE COVER	1
5	7900600101033	AIRBOX FRONT PART	1
6	0025060206	HH collar screw M6x20 TX30	1
7	77308013010	COLLAR BUSH. F.REAR FENDER 07	1
8	83008000015	SPECIAL SCREW M6X15X3	1
9	0017060206	SCREW F. PLASTIC K60X20AL SW6	3
10	77304066050	chain slider bushing	2
11	79008013050	THERMAL PROTECTION FOIL	1
12	78006027000	HOSE CLAMP 45-65MM	1
13	79206026000	INTAKE BELLOWS	1
14	79006017000	FILTER MOUNTING BRACKET	1
15	79006016000	AIR FILTER SUPPORT	1
16	79006015000	AIR FILTER	1
17	0025060126	HH collar screw M6x12 TX30	2
18	59001092050	SPECIAL SCREW M6X12,5 WS=8	2
19	47106003160	quick release rubber grommet	5
20	79406012050	INTAKE THROTTLE D=16	1
99	79006010010	SPLASH PROTECTOR KIT	1

177960610

50241

* NEW PART

X ON DEMAND



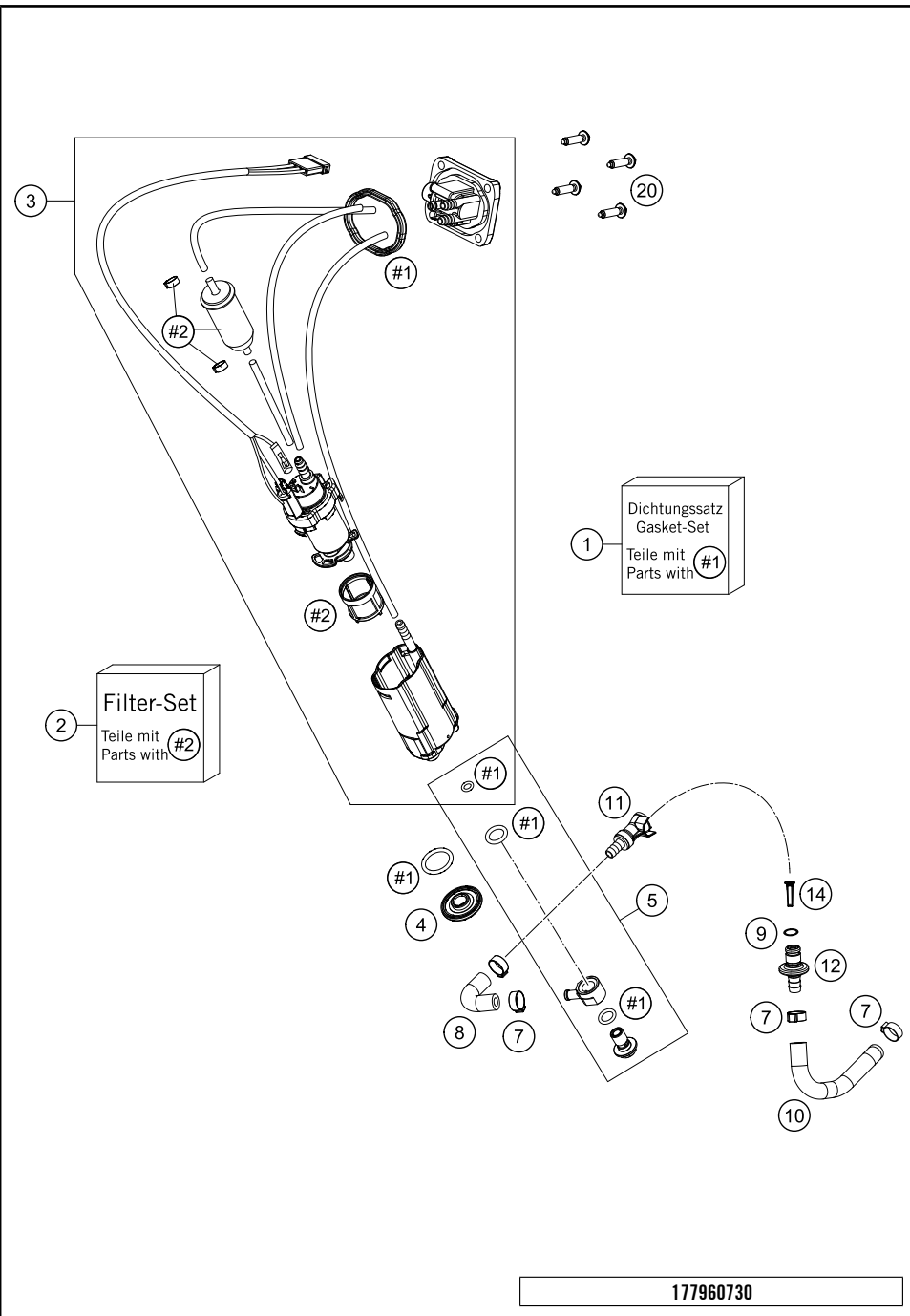
POS	PARTNUMBER	PARTNAME	PIECE
2	50307011000	SCREW SEAT FASTENING D=6X23/18	1
7	78007000270	PVC-HOSE 5,6X10X270MM	1
8	78107008044X4	TANK PLUG CPL. 14	1
12	7900711304499	FUEL TANK CPL. 8,5 L XC-F	1
14	50307014000	TANK ROLLER 12X26X12 '98	3
18	0017060206	SCREW F. PLASTIC K60X20AL SW6	x
22	51030022000	ANGLE PIECE 90 DEGREE M10X1	1
35	79007140000	SEAT	1
36	0025060206	HH collar screw M6x20 TX30	2
38	79007140050	SEAT COVER	1
50*	7900805400030B	Spoiler Kit EXC/XC-W 18 WITH DECAL	1
52	79608052000	BUSH 6X11X16X5 MM	4
61	0025060166	HH collar screw M6x16 TX30	4
62	0025060126	HH collar screw M6x12 TX30	3

167740710

44864

* NEW PART

X ON DEMAND

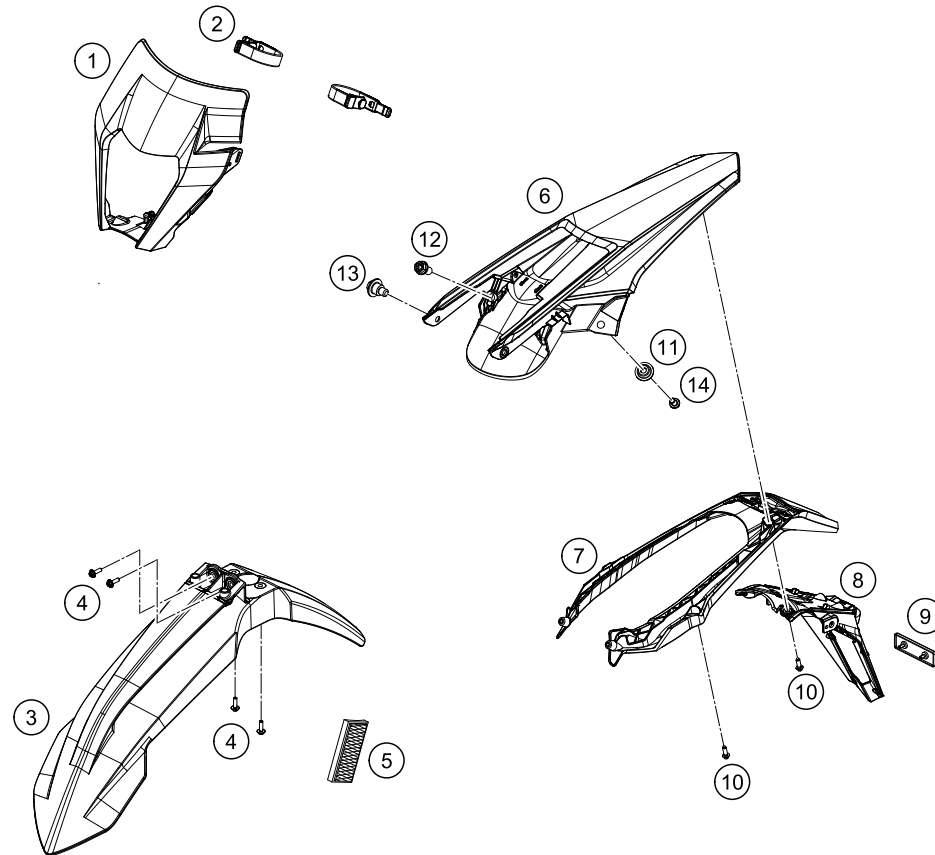


POS	PARTNUMBER	PARTNAME	PIECE
1	78107089100	GASKET KIT	1
2	81207090100	FILTER KIT	1
3	78107088100	FUEL PUMP CPL.	1
4	78107088014	NUT F. FUEL PUMP M12	1
5	79007090044	connection set	1
7	00050157706	VARIABLE ONE-EAR CLAMP 15,7MM	4
8	77407116000	FUEL HOSE TANK	1
9	58507012000	O-RING VITON F. PLUG CPC 05	1
10	79007216000	FUEL HOSE THROTTLE BODY	1
11	5850701050030	CLUTCH CPC BLACK 05	1
12	77707010000	CONNECTOR FUEL PUMP	1
14	78141013190	FUEL FILTER	1
20	0017060255	EJOT PT SCREW K60X25-Z SW6	4

177960730

18256

* NEW PART X ON DEMAND



POS	PARTNUMBER	PARTNAME	PIECE
1	79608001000EB	HEADLIGHT MASK	1
2	78108003000	MASK RUBBER	2
3	79008010000EB	FRONT FENDER ORANGE 15	1
4	0025060166	HH collar screw M6x16 TX30	4
5	58412080300	REFLECTOR YELLOW "CEV"	2
6	79608013000EB	REAR FENDER EXC ORANGE	1
7	79608015000	LICENSE PLATE HOLDER EU	1
8	79608016000	LICENSE PLATE HOLDER-EXTENSION	1
9	58412080200	reflector, red	1
10	0017060205	SCREW FOR PLASTIC K60X20 SW6	4
11	77308013010	COLLAR BUSH. F.REAR FENDER 07	2
12	0025060166	HH collar screw M6x16 TX30	2
13	59001092050	SPECIAL SCREW M6X12,5 WS=8	2
14	0025060126	HH collar screw M6x12 TX30	2

177960810

18260

* NEW PART

X ON DEMAND

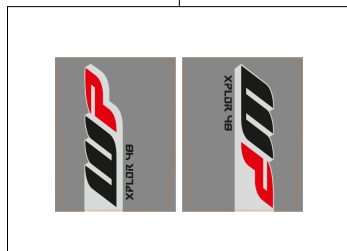
1



2



3



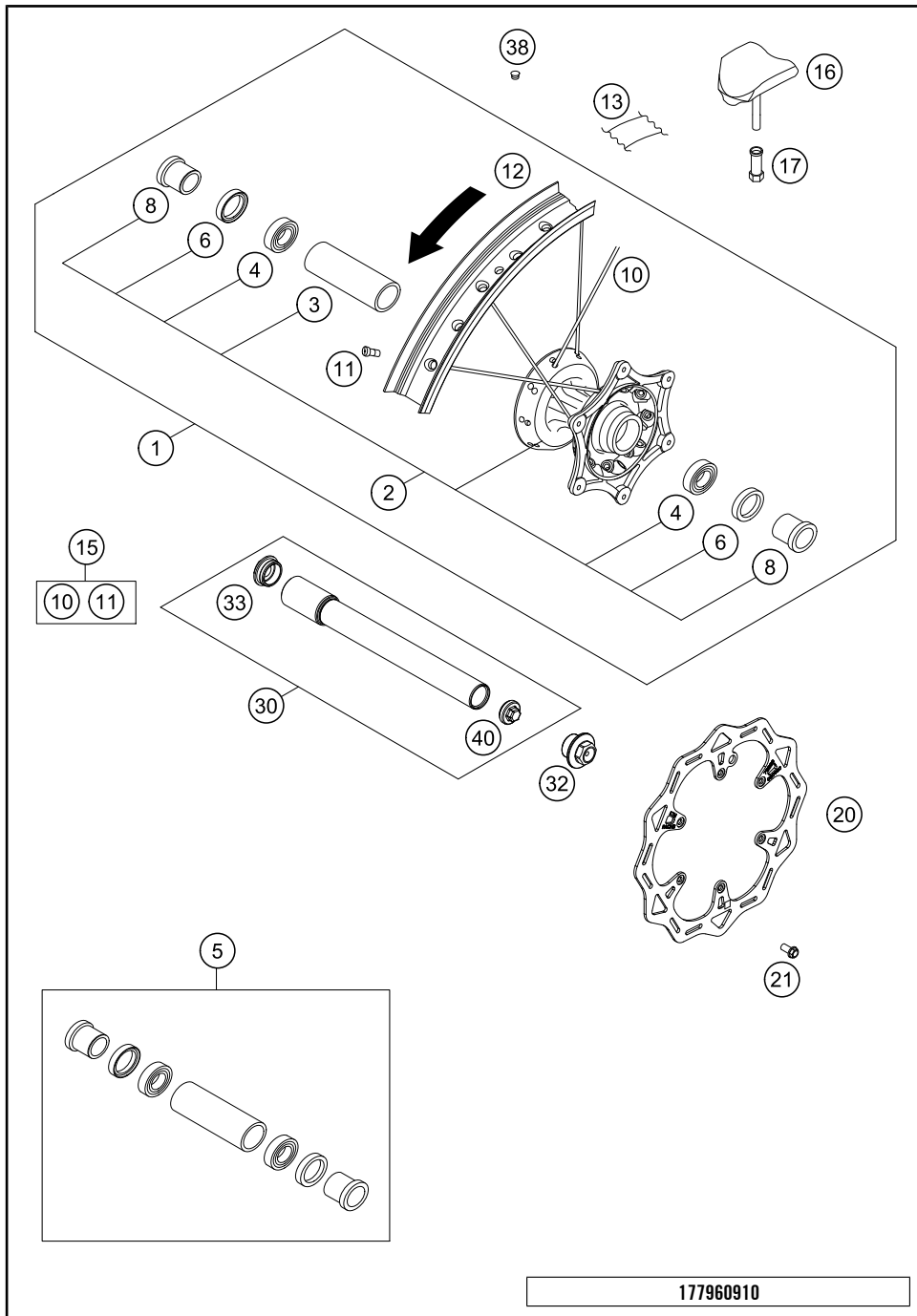
197960830

POS	PARTNUMBER	PARTNAME	PIECE
1*	79608099100	Decal Set EXC / XC-W 2019	1
2*	79608198018	Decal Set 250 EXC-F 2019	1
3	52000165	FORK DECAL SET "XPLOR48"	1

50290

* NEW PART

X ON DEMAND



POS	PARTNUMBER	PARTNAME	PIECE
1	7810900154430	FRONTWHEEL CPL.1,6X21"GIANT 22	1
2	77709010144	FRONT WHEEL HUB CPL.	1
3	54809011000	BEA.SPACERTUBE 35X2 L=79,4 03	1
4	0625069068	GR.BALL BEAR.6906 DDU2CG23S6NM	2
5	77709015000	FRONT WHEEL REP. KIT SX-F USA	1
6	0760354771	SHAFT SEAL RING 35X47X7 TC	2
8	77709012000	SPACER BUSHING F. FR. WHEEL	2
10	7710907122630	SPOKE M4,5X226- 21" BLACK 12	36
11	79109072000	Spoke nipple M4.5	36
12	7810907000030	RIM FRONT 1,6X21" BLACK	1
13	50309073000	RIM BAND 21"	1
15	00050000954	SPOKE KIT FRONT "21" BLACK	x
16	78109090000	RIM LOCK 1,60"	1
17	77110090050	NUT FOR WHEEL HOLDER	1
20	79009060000	BRAKE DISC FRONT 260MM 16	1
21	59009062013	SPECIAL SCREW M6X13 WS=8 10.9	6
30	77709081033	WHEEL SPIN.FR. CPL. D=22 15	1
32	70009082000	AXLESCREW M20X1.5; SW17	1
33	70009081050	PLUG BUSHING SW17 '12	1
38	55003135000	PLUG FOR RIM	x
40	7770908107055	AUXILIARY SCREW FRONT	1

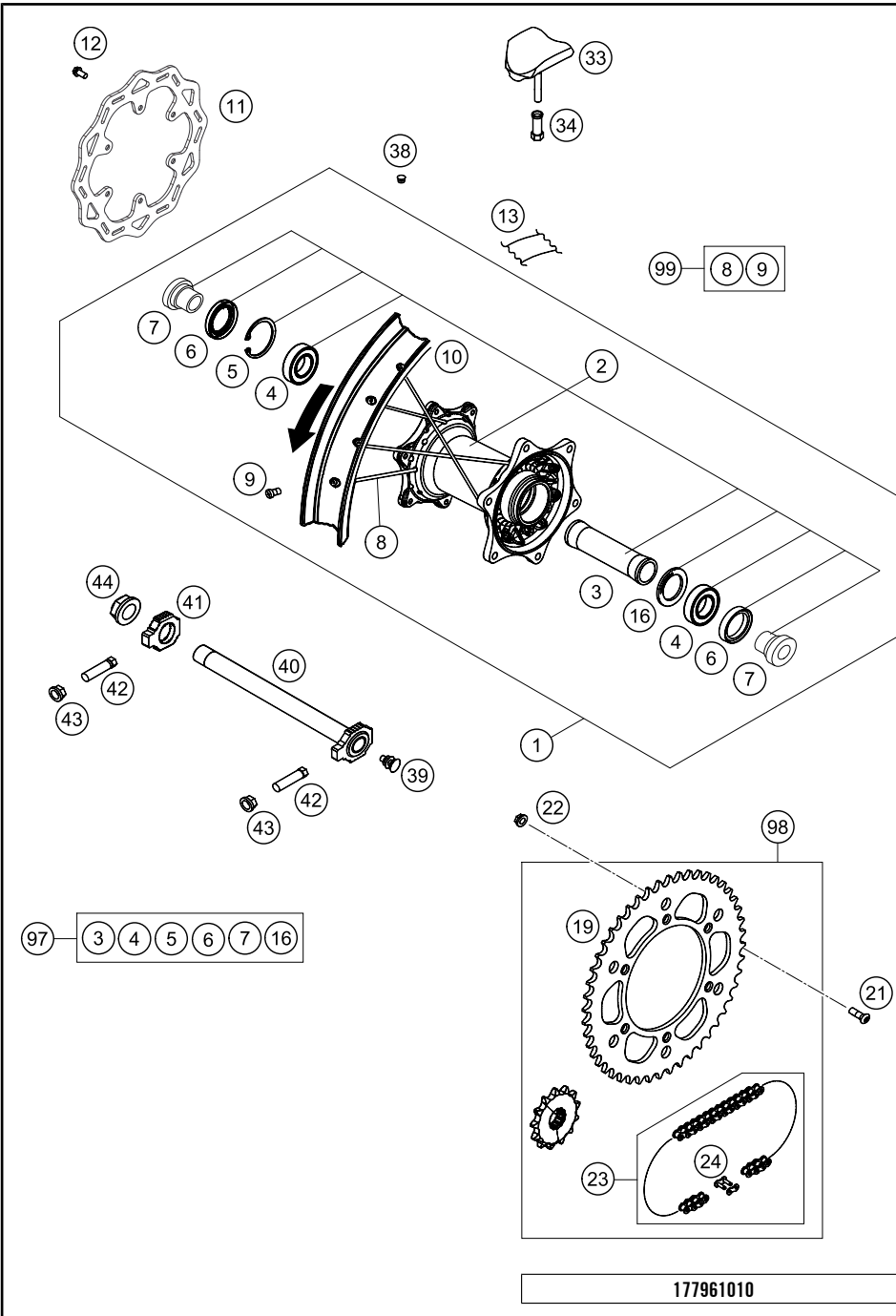
177960910

50232

* NEW PART X ON DEMAND

REAR WHEEL

250 EXC-F 2019



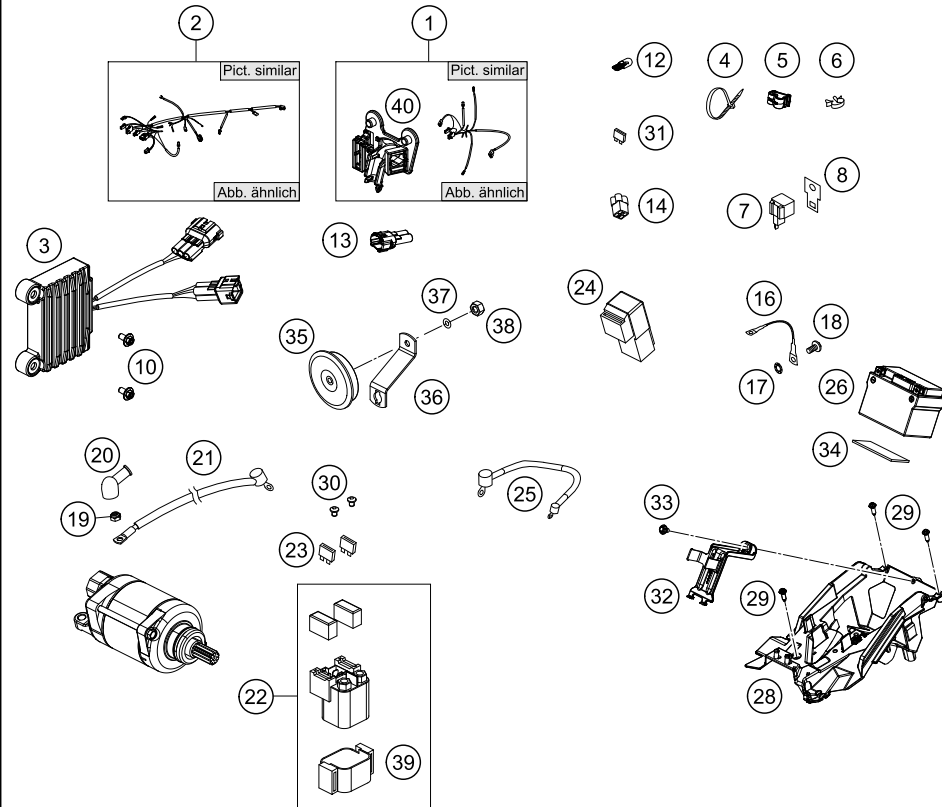
POS	PARTNUMBER	PARTNAME	PIECE
1	5041000104430	REAR WHEEL CPL. 2,15X18"BLACK	1
2	26510010144	REARHUB CPL.	1
3	77710011000	BEARING DISTANCE TUBE 121,5MM	1
4	0625060058	GR.BALL BEAR.6005 DDU2CG23S6NM	2
5	0472047175	CIRCLIP DIN0472-47X1,75	1
6	0760324771	SHAFT SEAL RING 32X47X7 BSL	2
7	78010016000	BUSHING FOR HUB 08	2
8	7901007119330	SPOKE M4,5X193-18" BLACK 16	36
9	79109072000	Spoke nipple M4.5	36
10	7811007000030	RIM REAR 2,15X18" BLACK	1
11	79010060000	BRAKE DISC REAR 220MM 16	1
12	59009062013	SPECIAL SCREW M6X13 WS=8 10.9	6
13	50310073200	RIM BAND 18" AND 19"	1
16	77710015000	DISTANCE RING	1
19	7771015104801	REAR SPROCKET 48-T	x
19	7771015105001	REAR SPROCKET 50-T	x
19	7771015105201	REAR SPROCKET 52-T	1
21	0019080266S	COUNTER-SUNK SCREW ISA45 M8X26	6
22	06923080003	hex nut EN 1661 M8 WS13	6
23	78010167118	CHAIN DID 118 LINKS	1
24	78010166000	CONNECTING LINK F. 78010167118	1
33	78110090000	RIM LOCK 2,15"	1
34	77110090050	NUT FOR WHEEL HOLDER	1
38	55003135000	PLUG FOR RIM	x
39	50210086000	COVERING CAP SFL16	x
40	77310085044	WHEEL SPINDLE RE. CPL.265MM 07	1
41	50310084000	CHAIN TENSIONER R/S 2000	1
42	50304040100	screw M10x1.25x50 WS10	2
43	58414030000	HH COLLAR NUT M10X1,25 WS=13	2
44	50310099000	HEXAGON NUT M20X1,5 '98	1
97	78010015010	REAR WHEEL REP. KIT	x
98	00050002078	DRIVETRAIN KIT EXC 14/52	x
99	00050000981	SPOKE KIT REAR 18" EXC 17	x

177961010

50233

* NEW PART

X ON DEMAND



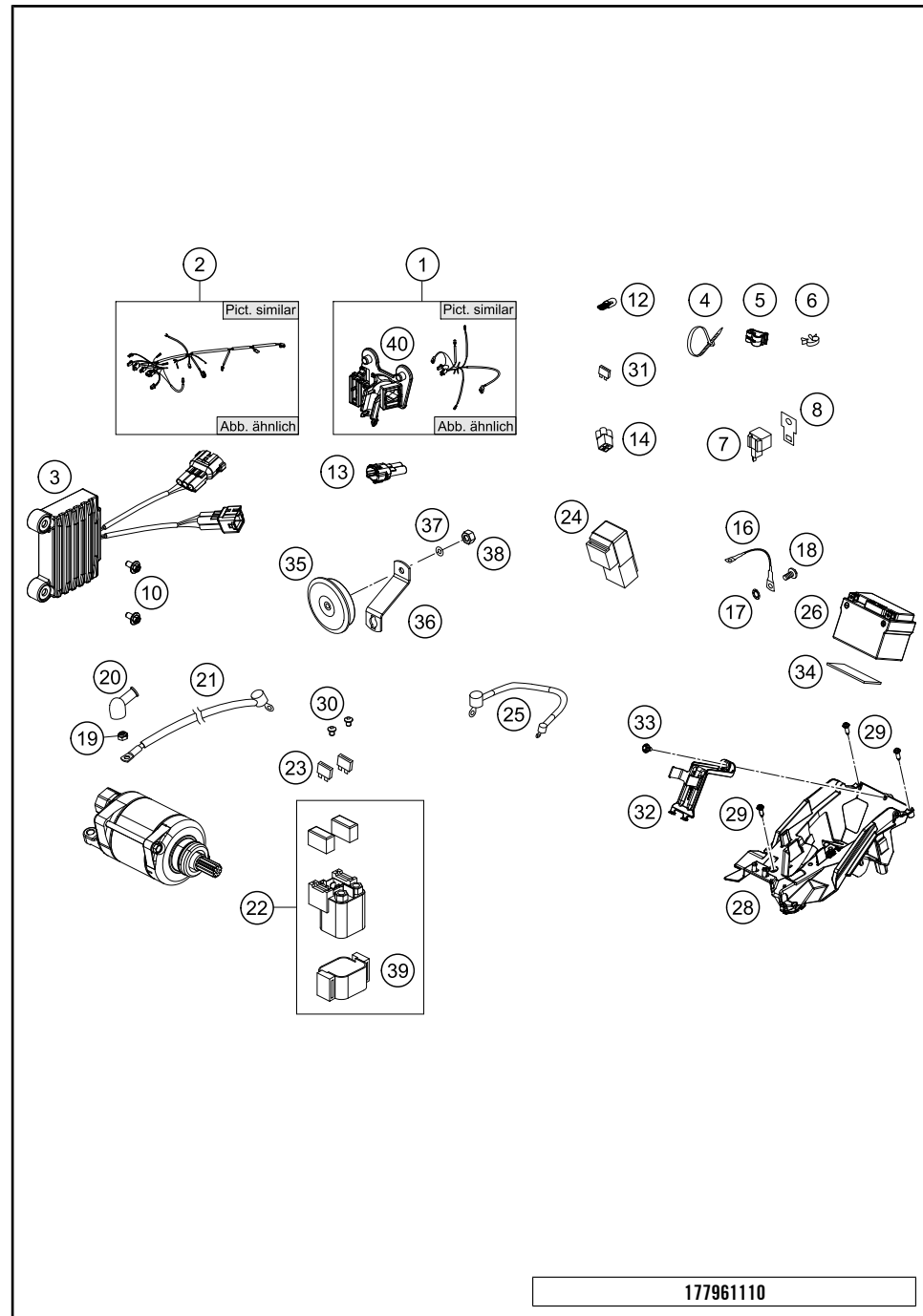
POS	PARTNUMBER	PARTNAME	PIECE
1	77711079000	WIRING HARNESS LIGHT CPL. EU	1
2	79611075100	MAIN WIRING HARNESS EXCAUS2017	1
3	79611034000	VOLTAGE REGULATOR	1
4	44011076140	CABLE TIE 140/2,5MM BLACK	x
4	44011076200	CABLE TIE 200/3,6MM BLACK	x
4	44011076305	CABLE TIE 300/4,8MM BLACK	x
5	83013026000	CABLE GUIDE	2
6	57013072100	WIRING HOLDER 16MM	1
7	76511030000	FLASHER UNIT	1
8	58211031100	BRACKET FOR FLASHER RELAY	1
10	0024060156	HH collar screw M6x15 TX30	2
12	49111425200	BULB 12V 2,3W (W2X4,6D)	1
13	69011040000	END PLUG CAN-BUS 08	1
14	81211096000	DUMMY PLUG AN 4-PIN	1
16	58411097100	GROUND CABLE D=6MM L=140MM '97	1
17	58411098100	CONTACT WASHER M6 VSV-K6	2
18	0025050126	HH collar screw M5x12 TX30	2
19	0985060003	SELF LOCK. NUT DIN0985-M 6	1
20	77240099000	PROTECTION CAP F. STARTER ENG.	1
21	58411059100	STARTERCABLE 700 MM '97	1
22	58211058000	STARTER RELAY 12V '99	1
23	58011109120	FUSE 20 A	2
24	61111057000	RELAY CM1A-R-12V-H80 07	2
25	58711086000	WIRING HARNESS BATTERY DUKE'99	1
26*	79111053000	battery 12V/24Wh	1
28	79011055100	BATTERY BOX	1
29	0017060205	SCREW FOR PLASTIC K60X20 SW6	3
30	0902060083	AH OVAL SCREW ISO 7380 M 6X8	2
31	75011088005	FUSE MINI 5A	x
31	75011088010	FUSE 10A 07	x
32	79011056100	BATTERY BOX SUPPORT	1
33	59001092050	SPECIAL SCREW M6X12,5 WS=8	1
34	59003001099	METAMOLL 90X45X3MM 03	1
35	50311060200	DC HORN 12V 07	1
36	78011061000	HORN BRACKET EXC 08	1
37	0125050003	WASHER DIN0125-A 5,3	1
38	0934050003	HEXAGON NUT DIN0934-M 5	1

177961110

50246

* NEW PART

X ON DEMAND

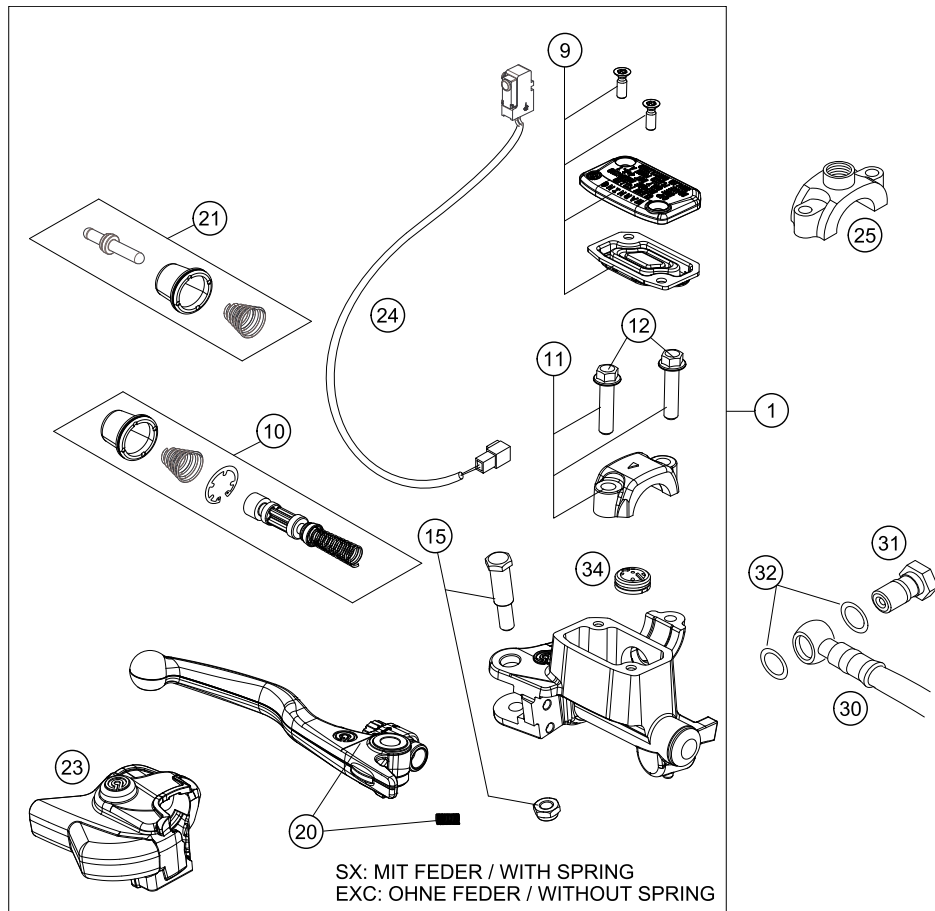


POS	PARTNUMBER	PARTNAME	PIECE
39	58211058050	BRACKET RUBBER F.STARTRELAY 07	1
40	77711083000	SUPPORT BRACKET	1

50246

* NEW PART

X ON DEMAND



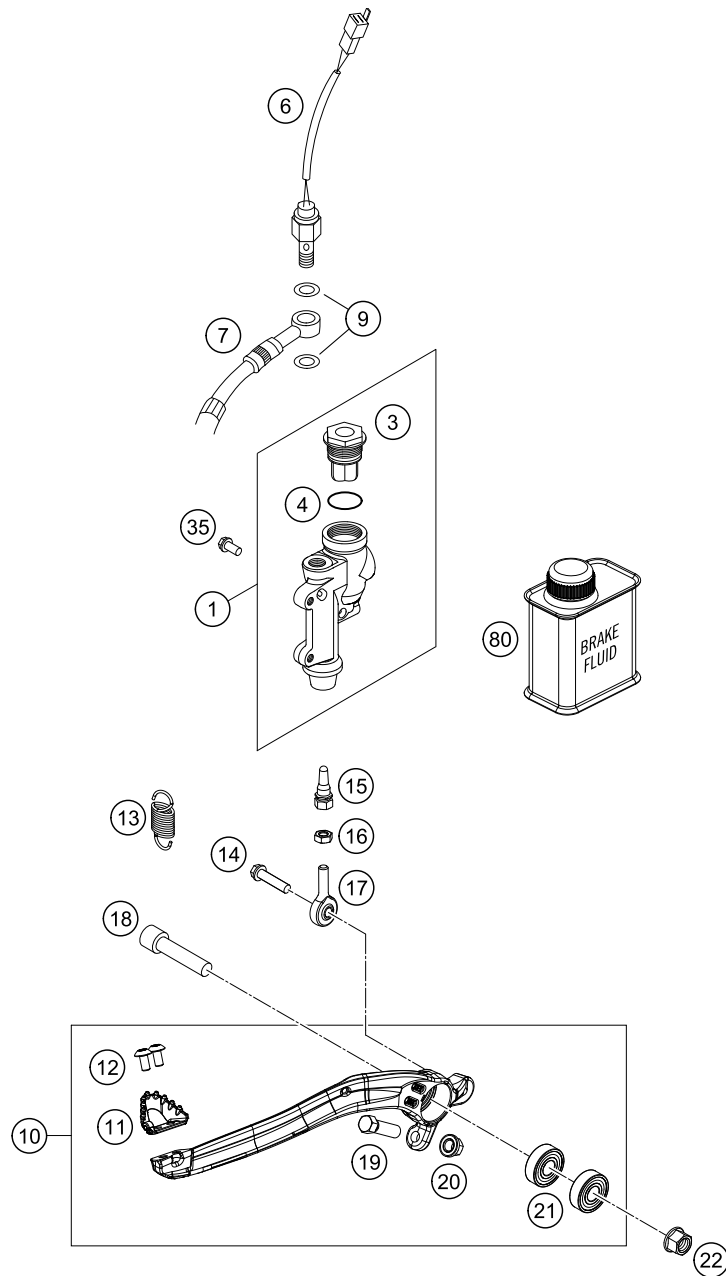
POS	PARTNUMBER	PARTNAME	PIECE
1	77713001144	HAND BREAK CYLIND. CPL. EXC 14	1
9	77713003000	HAND BRAKE CYL. COVER	1
10	77713008100	REPAIR KIT PISTON EXC 2014	1
11	50313005000	CLAMP CPL. NATURE	1
12	0025060256	HH collar screw M6x25 TX30	2
15	77713006000	LEVER SCREW	1
20	77713002000	HAND BRAKE LEVER +SPRING SX 14 SX WITH SPRING,EXC WITHOUT SP	1
21	77713007100	PUSH ROD CPL. EXC 2014	1
23	77713004000	PROTECTION CAP HAND BRAKE CYL.	1
24	77711050000	BREAK LIGHT SWITCH FRONT 2014	1
25	58012040150	CLAMP FOR MIRROR '94	1
30	77713010000	BRAKE PIPE	1
31	54813020100	banjo bolt M10x1x19 black	1
32	0603100141	sealing ring DIN 7603 10x14x1	2
34	54802051000	VALVE	1
80	00062030000	BRAKE FLUID DOT5.1 0,25L	1

145031310

14388

* NEW PART

X ON DEMAND



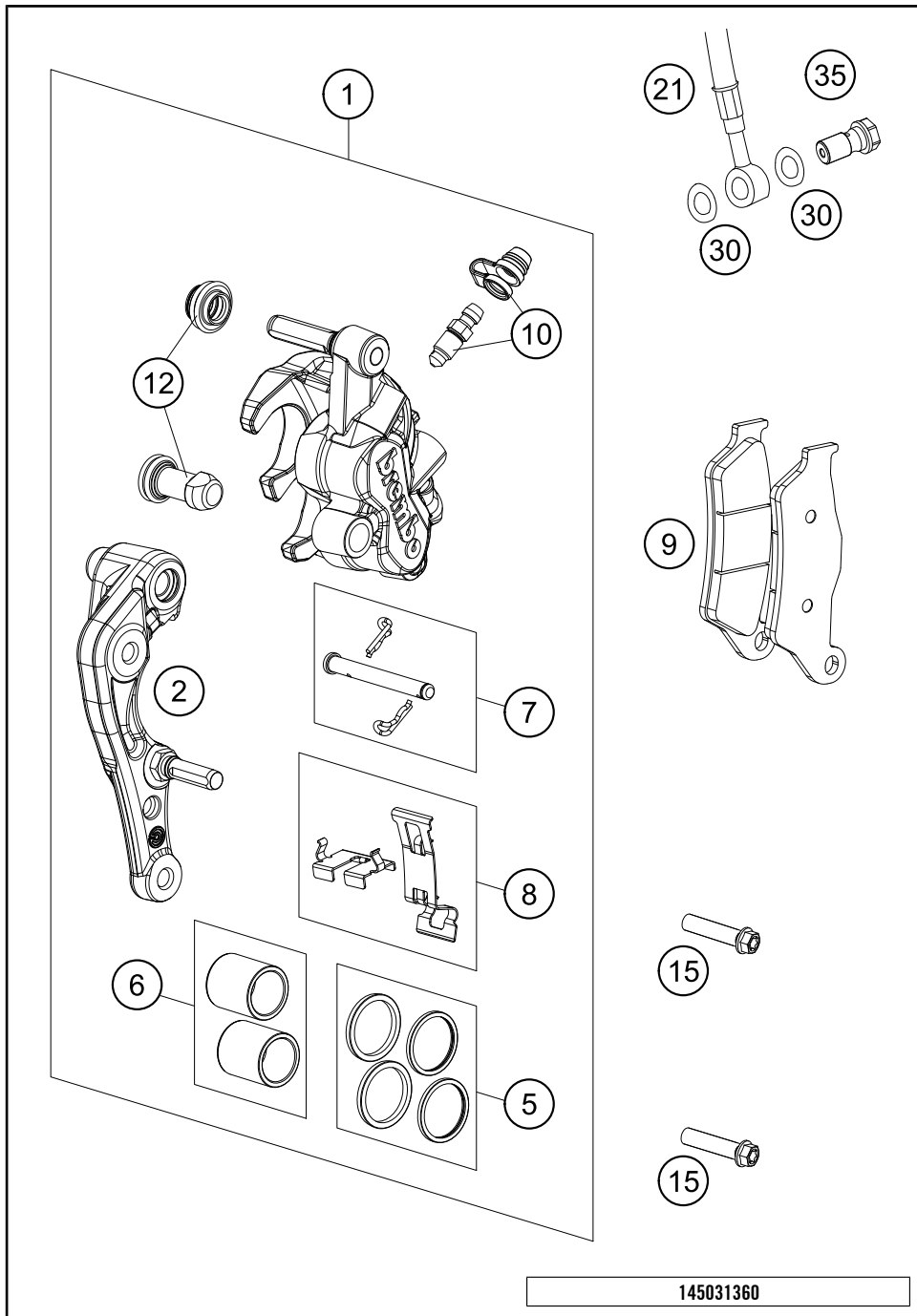
POS	PARTNUMBER	PARTNAME	PIECE
1	77013060044	REAR BRAKE CYLINDER CPL.SX 09	1
3	54813062100	REAR BRAKE CYL. COVER CPL. 04	1
4	54813063000	FOOT-BRAKE CYL. GASKET SX 03	1
6	50311051100	BRAKE LIGHT SWITCH REAR '98	1
7	54813070200	Brake hose rear 655 mm	1
9	0603100141	sealing ring DIN 7603 10x14x1	2
10	55413050044	FOOT BRAKE LEVER CPL.	1
11	55413051000	STEP PLATE FOOT BRAKE LEVER	1
12	78105081010	SCREW TORX M5X10	2
13	79003062000	RETURN SPRING F. BRAKE LEVER	1
14	0025060206S	HH collar screw M6x20 TX30	1
15	54813056000	PUSH ROD L=28MM 03	1
16	0934060003	hex nut DIN 934 M6	1
17	54813055000	SWIVEL HEAD KA6 03	1
18	0032100406S	AH-COLLAR SCREW M10X40 ISA45	1
19	59001037000	SPECIAL SCREW M8X26 WS=10	1
20	46030045000	flanged nut M8 WS10	1
21	0625060002	deep groove ball bearing SKF 6000-2RS1	2
22	54630044000	COLLAR NUT M10 WS=13	1
35	0025060126	HH collar screw M6x12 TX30	2
80	00062030000	BRAKE FLUID DOT5.1 0,25L	1

177961330

49340

* NEW PART

X ON DEMAND



POS	PARTNUMBER	PARTNAME	PIECE
1	7701301500101	CALIPER NAT. WITHOUT PADS	1
2	77013014000	BRAKE CALIPER SUPPORT FRONT 09	1
5	77013021000	REP. KIT SEALS 24MM	1
6	77013019000	REP. KIT PISTON 24MM	1
7	77013017000	BOLT CPL. 09	1
8	77013018000	RETAINING PLATE SET BREMBO	1
9	77713030000	BRAKE PADS FRONT	1
10	61013020100	BLEEDER SCREW WITH CAP	1
12	54613218000	CUP SET SHORT	1
15	0025080306S	HH COLLAR SCREW M8X30 TX40	2
21	77713010000	BRAKE PIPE	1
30	0603100141	sealing ring DIN 7603 10x14x1	2
35	54813020100	banjo bolt M10x1x19 black	1

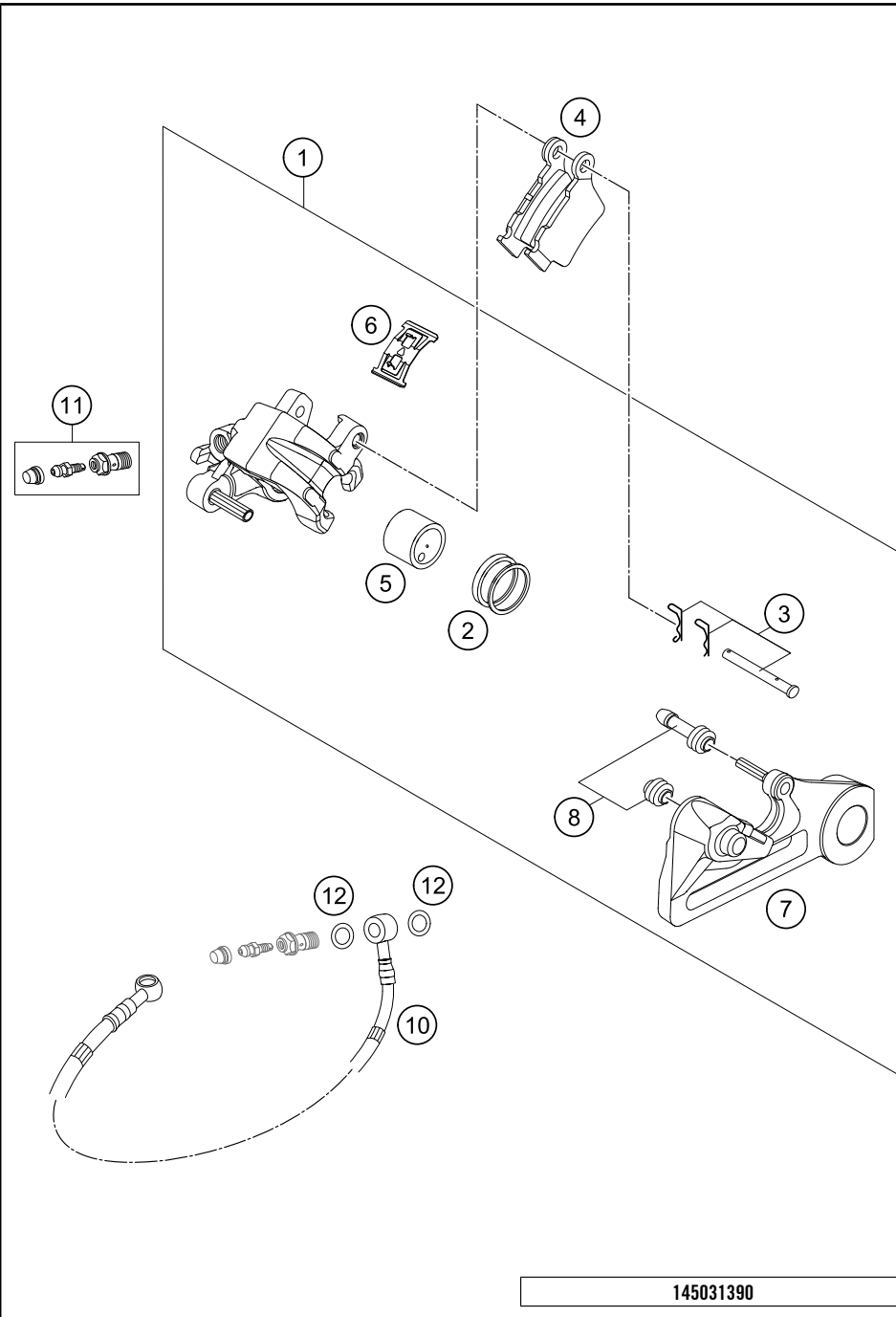
145031360

14399

* NEW PART X ON DEMAND

REAR BRAKE CALIPER

250 EXC-F 2019



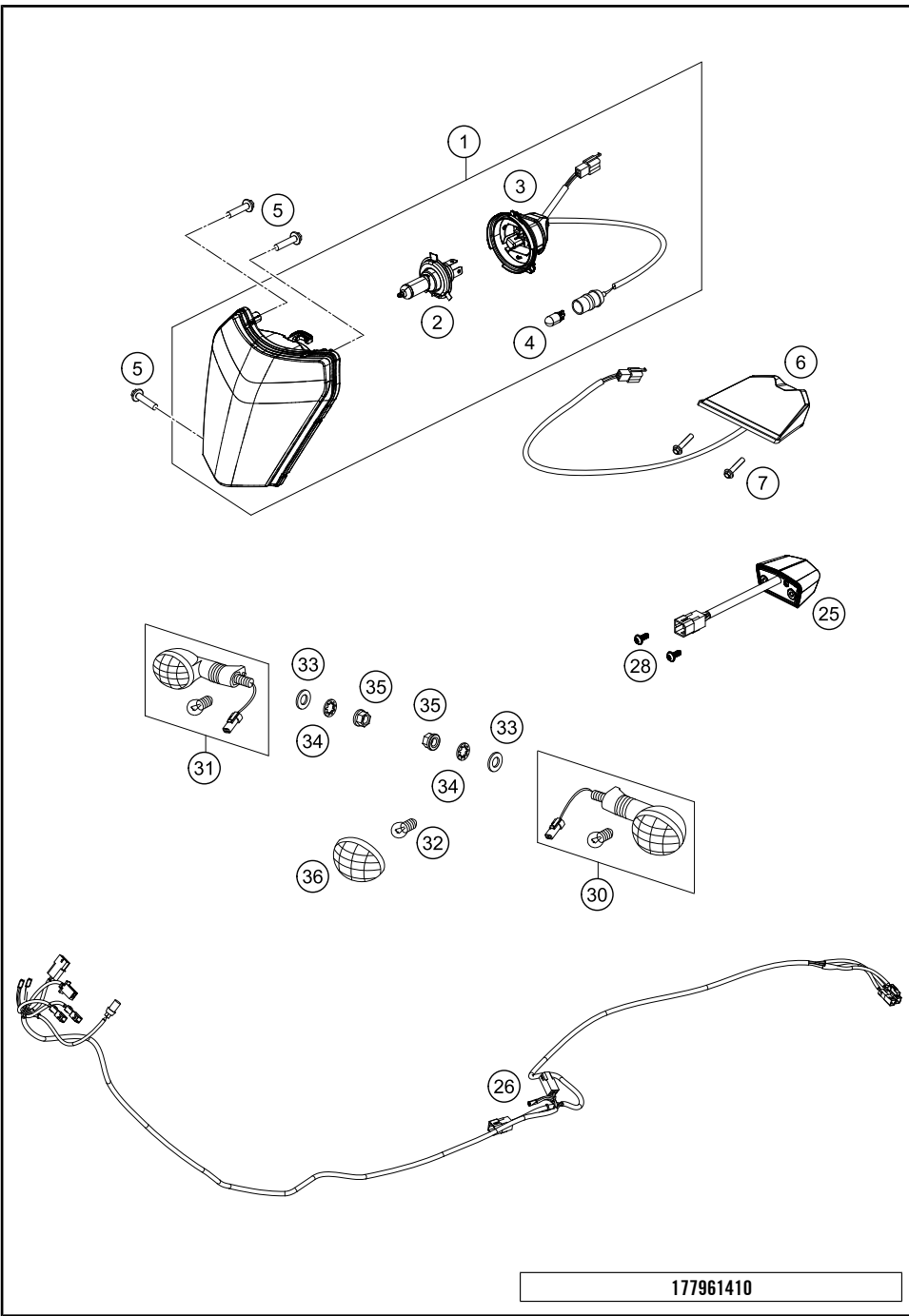
POS	PARTNUMBER	PARTNAME	PIECE
1	79613080001	BRAKE CALIPER REAR	1
2	79013081000	REPAIR KIT SEAL RING 24MM	1
3	54813082000	BOLT SET FOR BRAKE CALIPER 03	1
4	54813090300	BRAKE PAD SET REAR TOYO	1
5	79013083000	BRAKE PISTON 24MM	1
6	54813018000	RETAINING SPRING SET 2003	1
7	54813075000	BRAKE CALIPER SUPPORT REAR	1
8	54613218000	CUP SET SHORT	1
10	54813070200	Brake hose rear 655 mm	1
11	62513020000	BLEEDER SCREW CPL. 05	1
12	0603100141	sealing ring DIN 7603 10x14x1	2

145031390

49341

* NEW PART

X ON DEMAND

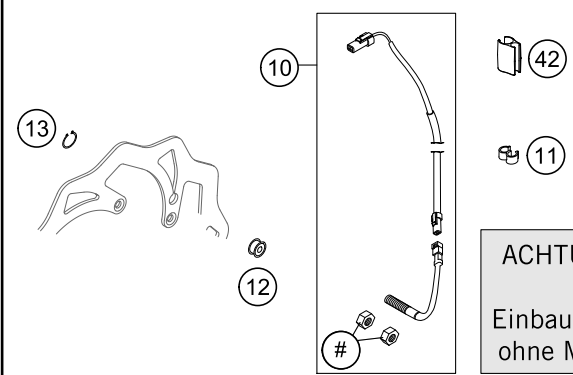
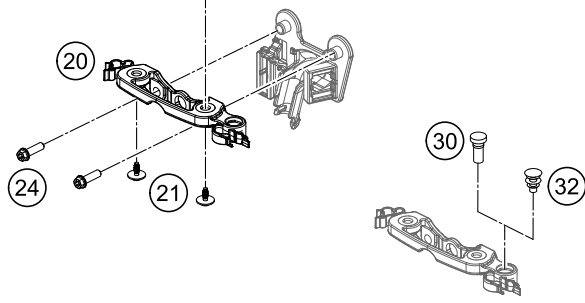
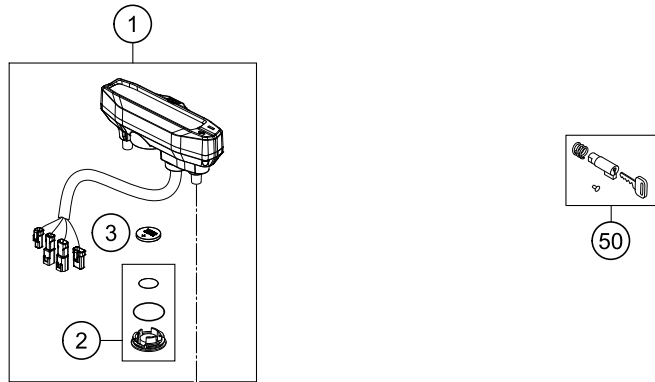


POS	PARTNUMBER	PARTNAME	PIECE
1	78114001000	HEAD LIGHT CPL. 2013	1
2	54611038012	BULB HS1 12V 35/35W WHITE	1
3	78114001050	LAMP BRACKET CPL. 2014	1
4	49011435100	BULB 12V 5W (W2,1X9,5D) PHIL.	1
5	0081050181	SCREW FOR PLASTIC K50X18 T20	3
6	78114040000	REAR LIGHT	1
7	0017060255	EJOT PT SCREW K60X25-Z SW6	2
25	60314047000	license plate lighting	1
26	77711081100	TURN SIGNAL WIRING HARNESS	1
28	0081050121	EJOT PT screw K50x12	2
30	54814025200	FLASHER CPL. FR.L/S RE.R/S 09	2
31	54814026200	FLASHER CPL. FR.R/S RE.L/S 09	2
32	44111015100	BULB 12V 10W (BA15S)	4
33	0125100003	washer DIN 125 A 10.5	4
34	0797100003	LOCK WASHER DIN6797-J10,5 ZI	4
35	58414030000	HH COLLAR NUT M10X1,25 WS=13	4
36	54814028000	FLASHER LENS L/S R/S 05	4

177961410

18288

* NEW PART X ON DEMAND



ACHTUNG !!! CAUTION !!!

Einbau von (10) ohne Muttern. **!** Mounting of (10) without nuts.

POS	PARTNUMBER	PARTNAME	PIECE
1	77714069400	TACHO DIGITAL KM/H F. 21" REPROGRAMMABLE: KM/H - MPH	1
2	77714069010	BATTERY COVER F. SPEEDOMETER	1
3	58314068000	BATTERY F. SPEEDOM. M.A.E. 02	1
10	54814068100	CABLE FOR DIGITAL SPEEDOM. 06	1
11	60111094000	CLIP 5/7 MM 06	2
12	54814069050	MAGNET FOR DIGITAL SPEEDOM. 03	1
13	0471009104	CIRCLIP DIN0471- 9X1 INOX	1
20	77714060000	SPEEDOMETER BRACKET EXC/XCW 14	1
21	0081645121	EJOT DELTA PT SCREW 45X12-Z	2
24	0024060206	HH collar screw M6x20 TX30	2
30	58011024300	FLASHER INDICAT.LIGHT GREEN'98	1
32	50210086000	COVERING CAP SFL16	1
42	54813026000	CABLE SUPPORT 10/6MM 06	2
50	78003035000	STEERING HEAD LOCK 08	1

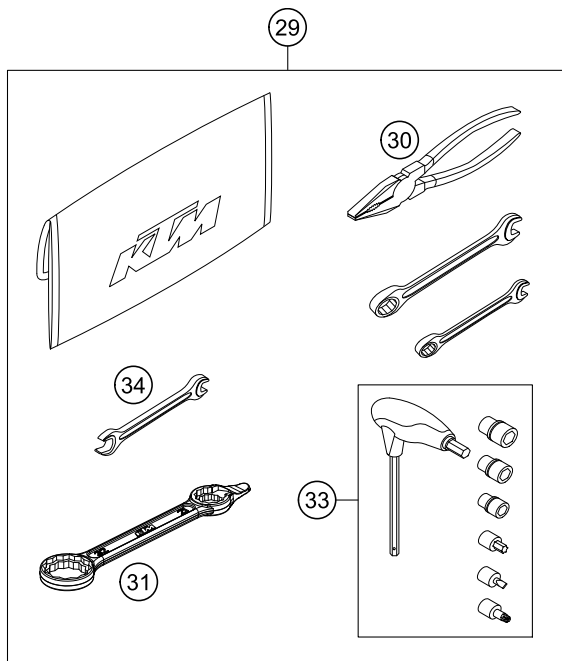
167751430

17487

* NEW PART X ON DEMAND

0
OHNE ABBILDUNG
WITHOUT ILLUSTRATION

1
TECHNISCHE DOKUMENTATION
TECHNICAL DOCUMENTATION
DOCUMENTACION TECNICA
DOCUMENTATION TECHNIQUE
NOTE TECNICHE



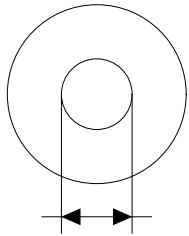
125482000

POS	PARTNUMBER	PARTNAME	PIECE
0	312313	KTM BALLPOINT PEN ORANGE	1
0	312305	DOCUMENTS BAG 2006	1
0	3210917	NOTEPAD	1
0	79603040033	FOOTREST-SET	1
0	58411098100	CONTACT WASHER M6 VSV-K6	2
0	0025050126	HH collar screw M5x12 TX30	2
0	79003094000EB	FRAME PROTECTION SET ORANGE	1
0	58412080400	Rear reflector red	1
0	0019080206S	FLAT HEAD SCREW M. ISA45 M8X20	1
0	77405009065	PLUG SCREW M12X1,25 WS17	1
0	58012040000	REAR MIRROR L/S	1
0	58012140000	REAR MIRROR R/S	1
0	58012040150	CLAMP FOR MIRROR '94	2
0	77229072000	SPARK PLUG WRENCH	1
0	00063004202	PRINT LABEL 60X51 MM	1
0	58412080300	REFLECTOR YELLOW "CEV"	2
0	20180189INT	Sticker accessory kit	1
0	79608016000	LICENSE PLATE HOLDER-EXTENSION	1
0	79612099000	BYPACK TURN SIGNAL 2017	1
0	79233029013	SPROCKET 13T	1
0	79602182044EB	Handguard	1
0	79602084044	Handguard assembly kit	1
0	77202002144	BAR PAD CPL.	1
0	00063004012	HEADLIGHT MASK BOX	1
0	79002014100	SETTING 4-T 39,5 MM 16	1
0	81212016100	WASH CAP SET	1
0	81211096000	DUMMY PLUG AN 4-PIN	1
0	52000165	FORK DECAL SET "XPLOR48"	1
0	78141013190	FUEL FILTER	3
1	3213855EN	Owner's Manual 250 EXC-F 2019	1
29	54829099100	TOOL KIT 2012	1
30	53012028200	GRIP ORANGE B&F	1
31	50329080100	WRENCH SW=17/21/27/32 B&F	1
33	60029070300	T-WRENCH WS=6/8/10/TX45/SK4X1	1
34	50329072000	SPOKE-SPANNER WS 7/10	1

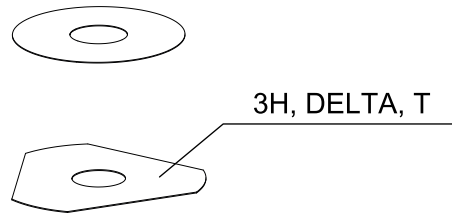
50248

* NEW PART

X ON DEMAND



- ⑤ Ø 5 mm
- ⑥ Ø 6 mm
- ⑧ Ø 8 mm
- ⑩ Ø 10 mm
- ⑫ Ø 12 mm
- ⑭ Ø 14-14,5 mm
- ⑯ Ø 16 mm
- ⑳ Ø 20 mm
- ㉑ Ø 21 mm
- ㉒ Ø 22 mm
- ㉓ Ø 23 mm
- ㉔ Ø 24,5 mm
- ㉘ Ø 28,5 mm
- ㉚ Ø 32 mm
- ㉜ Ø 52 mm



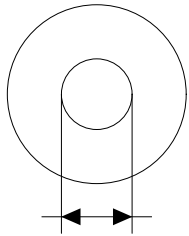
POS	PARTNUMBER	PARTNAME	PIECE
5	44906890	WASHER 5X15X2	X
6	40540400	SHIM 6X12X0,1	X
6	40540401	SHIM 6X14X0,1	X
6	40540402	SHIM 6X16X0,1	X
6	40540403	SHIM 6X18X0,1	X
6	40540404	SHIM 6X12X0,15	X
6	40540405	SHIM 6X14X0,15	X
6	40540406	SHIM 6X16X0,15	X
6	40540407	SHIM 6X18X0,15	X
6	40540408	SHIM 6X12X0,2	X
6	40540409	SHIM 6X14X0,2	X
6	40540410	SHIM 6X16X0,2	X
6	40540411	SHIM 6X18X0,2	X
6	48600095	SHIM 6X20X0,20	X
6	40540412	SHIM 6X12X0,25	X
6	40540413	SHIM 6X14X0,25	X
6	40540414	SHIM 6X16X0,25	X
6	40540415	SHIM 6X18X0,25	X
6	40540417	SHIM 6X8,5X0,10	X
6	40540418	SHIM 6X9X0,10	X
6	40540419	SHIM 6X9,5X0,10	X
6	40540423	SHIM 6X9,5X0,15	X
6	40540425	SHIM 6X8,5X0,20	X
6	40540426	SHIM 6X9X0,20	X
6	40540427	SHIM 6X9,5X0,20	X
6	40540447	SHIM 6X10X0,3	X
6	40540449	SHIM 6X9X0,3	X
6	40540450	SHIM 6X9,5X0,3	X
6	40540494	SHIM 6X18X0,4	X
6	40540774	SHIM 6X18X0,1 DELTA	X
6	40541383	SHIM 6X11X0,1	X
6	40541391	SHIM 6X11X0,3	X
6	40541402	SHIM 6X11X0,2	X
6	40541403	SHIM 6X10X0,20	X
6	40541404	SHIM 6X10X0,1	X
6	40541405	SHIM 6X10X0,15	X
6	40541406	SHIM 6X11X0,15	X
6	40541408	SHIM 6X8,0X0,30	X

080000190

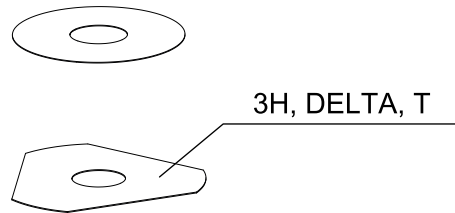
4668

* NEW PART

X ON DEMAND



- ⑤ Ø 5 mm
- ⑥ Ø 6 mm
- ⑧ Ø 8 mm
- ⑩ Ø 10 mm
- ⑫ Ø 12 mm
- ⑭ Ø 14-14,5 mm
- ⑯ Ø 16 mm
- ⑳ Ø 20 mm
- ㉑ Ø 21 mm
- ㉒ Ø 22 mm
- ㉓ Ø 23 mm
- ㉔ Ø 24,5 mm
- ㉘ Ø 28,5 mm
- ㉚ Ø 32 mm
- ㉜ Ø 52 mm



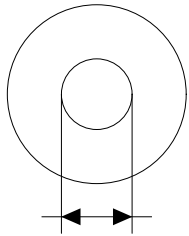
POS	PARTNUMBER	PARTNAME	PIECE
6	40541414	SHIM 6X8,0X0,10	X
6	40541416	SHIM 6X8X0,3	X
6	40541417	SHIM 6X11X0,25	X
6	48600102	SHIM 6X24X0,25	X
6	48600063	SHIM 6X24X0,1	X
6	48600064	SHIM 6X22X0,1	X
6	48600065	SHIM 6X20X0,1	X
6	48600069	SHIM 6X20X0,15	X
6	48600100	SHIM 6X24X0,15	X
6	48600116	SHIM 6X24X0,1 DELTA	X
6	48600139	SHIM 6X22X0,1 DELTA	X
6	48600217	BACKPLATE 6X10X0,25	X
6	48600325	SHIM 6X13X0,1	X
6	48600327	SHIM 6X15X0,1	X
6	48600329	SHIM 6X17X0,1	X
6	48600331	SHIM 6X19X0,1	X
6	48600096	SHIM 6X20X0,25	X
6	48600097	SHIM 6X22X0,15	X
6	48600099	SHIM 6X22X0,25	X
6	40540448	BACKPLATE 6X8,5X0,30	X
6	48600479	SHIM 6X20X0,1 T/3H	X
6	48600332	SHIM 6X21X0,1	X
6	48600333	SHIM 6X23X0,1	X
6	40541393	SHIM 6X12X0,3	X
6	48600330	SHIM 6X17X0,15	X
6	48600988	SHIM 6X28X0,10	X
6	48600989	SHIM 6X26X0,10	X
6	48601091	SHIM 6X28X0,15	X
6	48601093	SHIM 6X26X0,15	X
6	48600328	SHIM 6X15X0,15	X
6	48600326	SHIM 6X13X0,15	X
6	48601548	SHIM 6X17X1,5	X
6	48601693	SHIM 6X18X3	X
6	48600098	SHIM 6X22X0,20	X
6	48601300	WASHER 6X25X1,5	X
6	48601692	SHIM 6X30X0,15	X
6	48601550	SHIM 6X30X0,10	X
6	40541392	SHIM 6X8X0,20	X

080000190

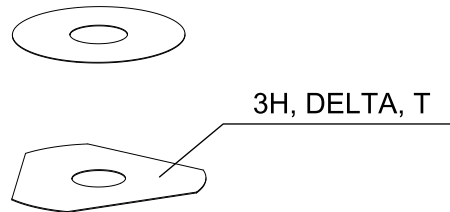
4668

* NEW PART

X ON DEMAND



- ⑤ Ø 5 mm
- ⑥ Ø 6 mm
- ⑧ Ø 8 mm
- ⑩ Ø 10 mm
- ⑫ Ø 12 mm
- ⑭ Ø 14-14,5 mm
- ⑯ Ø 16 mm
- ⑰ Ø 20 mm
- ⑱ Ø 21 mm
- ⑳ Ø 22 mm
- ㉑ Ø 23 mm
- ㉒ Ø 24,5 mm
- ㉔ Ø 28,5 mm
- ㉖ Ø 32 mm
- ㉘ Ø 52 mm



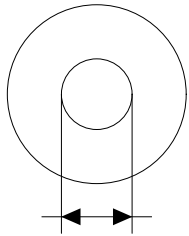
POS	PARTNUMBER	PARTNAME	PIECE
6	50180009	DISTANCER PLATE 16X23X0,10	X
6	48601917	Scheibe 6x25x4	X
6	48601916	Scheibe 6x18x4	X
6	40540399	SHIM 6X16X0,30	X
6	48601584	Spring washer Ø30	X
6	48601459	Checkvalve shim	X
6	48601849	Backplate 2,5mm liftheight	X
8	40540477	SHIM 8X18X0,4	X
8	43570120	SHIM 8X18X0,10	X
8	44916098	WASHER 8,4X16X0,8	X
8	44916130	WASHER 8,2X15X1	X
8	44916180	WASHER 8,2X11X1	X
8	48600214	SHIM 8X16X0,1	X
8	48600385	SHIM 8x14x0,25	X
8	48600346	SHIM 8X11X0,2	X
8	48600215	CHECK VALVE 8X20X0,1	X
8	48600485	SHIM 8X10X0,10	X
8	48601402	SHIM 8X13X0,10	X
8	48600350	CHECK VALVE 8X16X0,15	X
8	48600061	CHECK VALVE 8X24X0,4	X
8	48600062	CHECK VALVE 8X24X0,1	X
8	48600216	CHECK VALVE 8X22X0,1	X
8	48600480	SHIM 8X10X0,20	X
8	48600555	SHIM 8X16X0,20	X
8	48600213	SHIM 8X14X0,10	X
8	48600357	CHECK VALVE 8X11X0,1	X
8	48600351	CHECK VALVE 8X12X0,1	X
8	48600607	Steering damper washer	X
8	48601095	SHIM 8X17X0,10	X
8	48600352	CHECK VALVE 8X11X0,4	X
8	48601860	Washer 8x11x0,15	X
10	36120284	SHIM 10X16X0,10	X
10	36120298	SHIM 10X16X0,2	X
10	36120312	SHIM 10X16X0,30	X
10	36120314	SHIM 10X18X0,30	X
10	36120325	SHIM 10X19X0,15	X
10	36120327	SHIM 10X23X0,15	X
10	36120328	SHIM 10X25X0,15	X

080000190

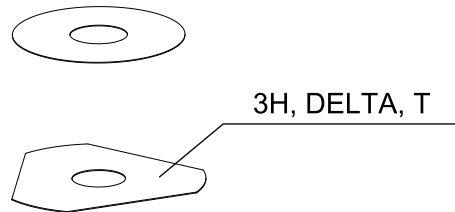
4668

* NEW PART

X ON DEMAND



- ⑤ Ø 5 mm
- ⑥ Ø 6 mm
- ⑧ Ø 8 mm
- ⑩ Ø 10 mm
- ⑫ Ø 12 mm
- ⑭ Ø 14-14,5 mm
- ⑯ Ø 16 mm
- ⑳ Ø 20 mm
- ㉑ Ø 21 mm
- ㉒ Ø 22 mm
- ㉓ Ø 23 mm
- ㉔ Ø 24,5 mm
- ㉘ Ø 28,5 mm
- ㉚ Ø 32 mm
- ㉜ Ø 52 mm



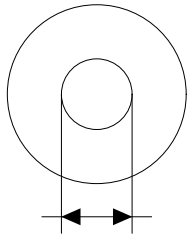
POS	PARTNUMBER	PARTNAME	PIECE
10	36120329	SHIM 10X27X0,15	X
10	36120330	SHIM 10X29X0,15	X
10	36120331	SHIM 10X31X0,15	X
10	36120332	SHIM 10X33X0,15	X
10	36120334	SHIM 10X21X0,20	X
10	36120335	SHIM 10X23X0,20	X
10	36120336	SHIM 10X25X0,20	X
10	36120337	SHIM 10X27X0,20	X
10	36120338	SHIM 10X29X0,20	X
10	36120339	SHIM 10X31X0,20	X
10	36120340	SHIM 10X33X0,20	X
10	36120342	SHIM 10X21X0,25	X
10	36120343	SHIM 10X23X0,25	X
10	36120344	SHIM 10X25X0,25	X
10	36120345	SHIM 10X27X0,25	X
10	36120349	SHIM 10X19X0,30	X
10	36120350	SHIM 10X21X0,30	X
10	36120313	SHIM 10X17X0,30	X
10	36120354	SHIM 10X29X0,30	X
10	40140275	WASHER 10X35X0,15	X
10	48601708	SHIM 10X30X0,40	X
10	36120346	SHIM 10X29X0,25	X
10	36120355	SHIM 10X31X0,30	X
10	36120348	SHIM 10X33X0,25	X
10	36120604	SHIM D10XD22X2,5	X
12	46810490	SHIM 12X24X0,20	X
12	46810491	SHIM 12X26X0,20	X
12	46810492	SHIM 12X28X0,20	X
12	46810493	SHIM 12X30X0,20	X
12	46810494	SHIM 12X32X0,20	X
12	46810495	SHIM 12X34X0,20	X
12	46810496	SHIM 12X36X0,20	X
12	46810497	SHIM 12X38X0,20	X
12	46810498	SHIM 12X40X0,20	X
12	46810499	SHIM 12X24X0,25	X
12	46810500	SHIM 12X26X0,25	X
12	46810501	SHIM 12X28X0,25	X
12	46810502	SHIM 12X30X0,25	X

080000190

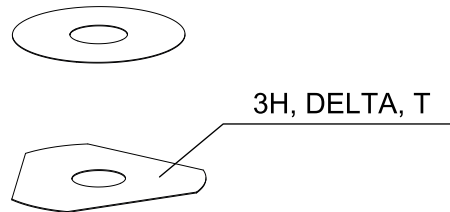
4668

* NEW PART

X ON DEMAND



- ⑤ Ø 5 mm
- ⑥ Ø 6 mm
- ⑧ Ø 8 mm
- ⑩ Ø 10 mm
- ⑫ Ø 12 mm
- ⑭ Ø 14-14,5 mm
- ⑯ Ø 16 mm
- ⑳ Ø 20 mm
- ㉑ Ø 21 mm
- ㉒ Ø 22 mm
- ㉓ Ø 23 mm
- ㉔ Ø 24,5 mm
- ㉘ Ø 28,5 mm
- ㉚ Ø 32 mm
- ㉜ Ø 52 mm



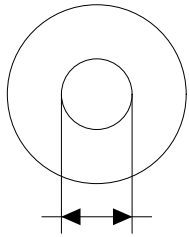
POS	PARTNUMBER	PARTNAME	PIECE
12	46810504	SHIM 12X34X0,25	X
12	46810505	SHIM 12X36X0,25	X
12	46810507	SHIM 12X40X0,25	X
12	46810508	SHIM 12X24X0,30	X
12	46810509	SHIM 12X26X0,30	X
12	46810510	SHIM 12X28X0,30	X
12	46810512	SHIM 12X32X0,30	X
12	46810513	SHIM 12X34X0,30	X
12	46810518	SHIM 12X26X0,15	X
12	46810519	SHIM 12X28X0,15	X
12	46810520	SHIM 12X30X0,15	X
12	46810521	SHIM 12X32X0,15	X
12	46810522	SHIM 12X34X0,15	X
12	46810523	SHIM 12X36X0,15	X
12	46810524	SHIM 12X38X0,15	X
12	46810525	SHIM 12X40X0,15	X
12	46810604	SHIM 12X20X0,10	X
12	46810606	SHIM 12X22X0,10	X
12	46810607	SHIM 12X23X0,10	X
12	46810608	SHIM 12X24X0,10	X
12	46810610	SHIM 12X27X0,15	X
12	46810611	SHIM 12X18X0,15	X
12	46810612	SHIM 12X19X0,15	X
12	46810615	SHIM 12X22X0,15	X
12	46810636	BACKPLATE 12X16X0,30	X
12	46810637	BACKPLATE 12X17X0,30	X
12	46810638	BACKPLATE 12X18X0,30	X
12	46810639	SHIM 12X19X0,30	X
12	46810641	BACKPLATE 12X21X0,30	X
12	46811582	BACKPLATE 12X30X0,10	X
12	46810631	SHIM 12X20X0,25	X
12	46810633	SHIM 12X22X0,25	X
12	46811580	SHIM 12X32X0,10	X
12	46810503	SHIM 12X32X0,25	X
12	46810517	SHIM 12X24X0,15	X
12	46810856	SHIM 12X20X0,3 CC	X
12	46811258	RING 12X24X2,5	X
12	46812018	SHIM 12X42X0,25	X

080000190

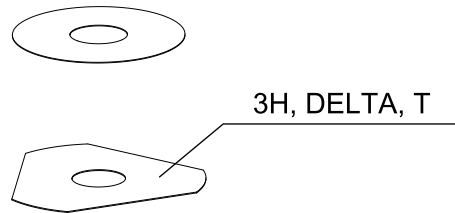
4668

* NEW PART

X ON DEMAND



- ⑤ Ø 5 mm
- ⑥ Ø 6 mm
- ⑧ Ø 8 mm
- ⑩ Ø 10 mm
- ⑫ Ø 12 mm
- ⑭ Ø 14-14,5 mm
- ⑯ Ø 16 mm
- ⑳ Ø 20 mm
- ㉑ Ø 21 mm
- ㉒ Ø 22 mm
- ㉓ Ø 23 mm
- ㉔ Ø 24,5 mm
- ㉘ Ø 28,5 mm
- ㉚ Ø 32 mm
- ㉜ Ø 52 mm



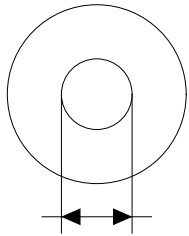
POS	PARTNUMBER	PARTNAME	PIECE
12	46812015	SHIM 12X44X0,20	X
12	46810613	SHIM 12X20X0,15	X
12	46810623	SHIM 12X21X0,20	X
12	46810624	SHIM 12X22X0,20	X
12	46810642	SHIM 12X22X0,30	X
12	46810643	SHIM 12X23X0,30	X
12	46811629	SHIM 12X28X0,10	X
12	46810511	SHIM 12X30X0,30	X
12	46810514	SHIM 12X36X0,30	X
12	46810506	SHIM 12X38X0,25	X
12	46810515	SHIM 12X38X0,30	X
12	46812017	SHIM 12X42X0,20	X
12	46812016	SHIM 12X44X0,25	X
12	46810622	SHIM 12X20X0,20	X
12	46811635	BENDING DISK 12X26X0,10	X
14	46811046	SHIM 14,5X35,4X1,25	X
16	50180023	SHIM 16X23X0,20	X
16	50180030	SHIM	X
16	50180006	BACKPLATE 16X20X0,10	X
16	50180007	SHIM 16X21X0,10	X
16	50180028	SHIM 16X21X0,25	X
16	50180210	WASHER 16X21X1	X
16	50180008	SHIM 16X22X0,10	X
16	50180022	SHIM 16X22X0,20	X
16	50180037	SHIM 16X23X0,30	X
16	50180038	SHIM 16X24X0,30	X
16	50180032	SHIM 15X25X0,25	X
16	50180039	SHIM 16X25X0,30	X
16	50180012	SHIM 16X26X0,10	X
16	50180019	SHIM 16X26X0,15	X
16	50180026	SHIM 16X26X0,20	X
16	50180040	SHIM 16X26X0,30	X
16	50180041	SHIM 16X28X0,10	X
16	50180045	SHIM 16X28X0,15	X
16	50180054	SHIM 16X28X0,20	X
16	50180063	SHIM 16X28X0,25	X
16	50180072	SHIM 16X28X0,30	X
16	50180046	SHIM 16X30X0,15	X

080000190

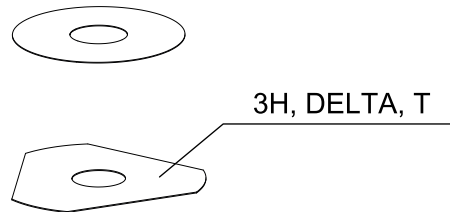
4668

* NEW PART

X ON DEMAND



- ⑤ Ø 5 mm
- ⑥ Ø 6 mm
- ⑧ Ø 8 mm
- ⑩ Ø 10 mm
- ⑫ Ø 12 mm
- ⑭ Ø 14-14,5 mm
- ⑯ Ø 16 mm
- ⑳ Ø 20 mm
- ㉑ Ø 21 mm
- ㉒ Ø 22 mm
- ㉓ Ø 23 mm
- ㉔ Ø 24,5 mm
- ㉘ Ø 28,5 mm
- ㉚ Ø 32 mm
- ㉜ Ø 52 mm



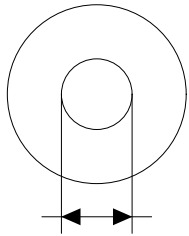
POS	PARTNUMBER	PARTNAME	PIECE
16	50180055	SHIM 16X30X0,20	X
16	50180064	SHIM 16X30X0,25	X
16	50180073	SHIM 16X30X0,30	X
16	50180047	SHIM 16X32X0,15	X
16	50180056	SHIM 16X32X0,20	X
16	50180065	SHIM 16X32X0,25	X
16	50180074	SHIM 16X32X0,30	X
16	50180044	SHIM 16X34X0,10	X
16	50180048	SHIM 16X34X0,15	X
16	50180057	SHIM 16X34X0,20	X
16	50180066	SHIM 16X34X0,25	X
16	50180075	SHIM 16X34X0,30	X
16	50180049	SHIM 16X36X0,15	X
16	50180058	SHIM 16X36X0,20	X
16	50180067	SHIM 16X36X0,25	X
16	50180076	SHIM 16X36X0,30	X
16	50180050	SHIM 16X38X0,15	X
16	50180059	SHIM 16X38X0,20	X
16	50180068	SHIM 16X38X0,25	X
16	50180077	SHIM 16X38X0,30	X
16	50180051	SHIM 16X40X0,15	X
16	50180060	SHIM 16X40X0,20	X
16	50180069	SHIM 16X40X0,25	X
16	50180078	SHIM 16X40X0,30	X
16	50180052	SHIM 16X42X0,15	X
16	50180061	SHIM 16X42X0,20	X
16	50180070	SHIM 16X42X0,25	X
16	50180079	SHIM 16X42X0,30	X
16	50180053	SHIM 16X44X0,15	X
16	50180062	SHIM 16X44X0,20	X
16	50180071	SHIM 16X44X0,25	X
16	50180080	SHIM 16X44X0,30	X
16	50180177	WASHER 16X8,2X0,6	X
16	50180033	SHIM 16X26X0,25	X
16	50180034	BACKPLATE 16X20X0,30	X
16	50180035	BACKPLATE 16X21X0,30	X
16	50180036	BACKPLATE 16X22X0,30	X
16	50180043	SHIM 16X32X0,10	X

080000190

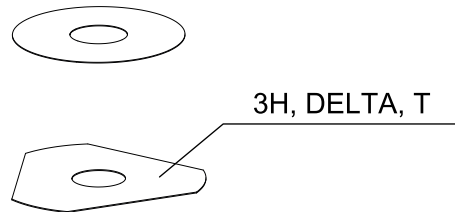
4668

* NEW PART

X ON DEMAND



- ⑤ Ø 5 mm
- ⑥ Ø 6 mm
- ⑧ Ø 8 mm
- ⑩ Ø 10 mm
- ⑫ Ø 12 mm
- ⑭ Ø 14-14,5 mm
- ⑯ Ø 16 mm
- ⑳ Ø 20 mm
- ㉑ Ø 21 mm
- ㉒ Ø 22 mm
- ㉓ Ø 23 mm
- ㉔ Ø 24,5 mm
- ㉘ Ø 28,5 mm
- ㉚ Ø 32 mm
- ㉜ Ø 52 mm



POS	PARTNUMBER	PARTNAME	PIECE
16	50180024	SHIM 16X24X0,20	X
16	50180027	SHIM 16X20X0,25	X
16	50180031	SHIM	X
16	50180029	SHIM	X
16	50180010	SHIM 16X24X0,10	X
20	48600212	PRESSURE-RING 20X16,25X0,20	X
20	50180666	SHIM 20X24X0,30	X
20	50180654	SHIM 20X36X0,20	X
20	50180655	SHIM 20X38X0,20	X
20	50180656	SHIM 20X40X0,20	X
20	50180665	SHIM 20X40X0,25	X
20	50180662	SHIM 20X34X0,25	X
20	50180657	SHIM 20X24X0,25	X
20	50180653	SHIM 20X34X0,20	X
20	50180634	RING 20X22,9X1	X
20	50180650	SHIM 20,2X28X0,20	X
20	50180663	SHIM 20X36X0,25	X
20	50180664	SHIM 20X38X0,25	X
20	50180659	SHIM 20,2X28X0,25	X
21	50180209	WASHER 21X36X0,25	X
22	50180330	PRESS. RING 22X18X0,30	X
23	50180635	SHUTTLE VALVE 23X38X0,25	X
23	50180578	SHIM D23XD16X2	X
24	40541061	WASHER 24,5X34X2	X
28	36120469	SHIM 28,5X14X2	X
28	36120471	SHIM 28,5X14X5	X
32	48600460	WASHER 32X42X2,5	X
32	50600065	SHIM 32X45X2	X
32	46811637	PRESSURE RING 36X32,25	X
52	50600002	SHIM 52X59X2,2	X

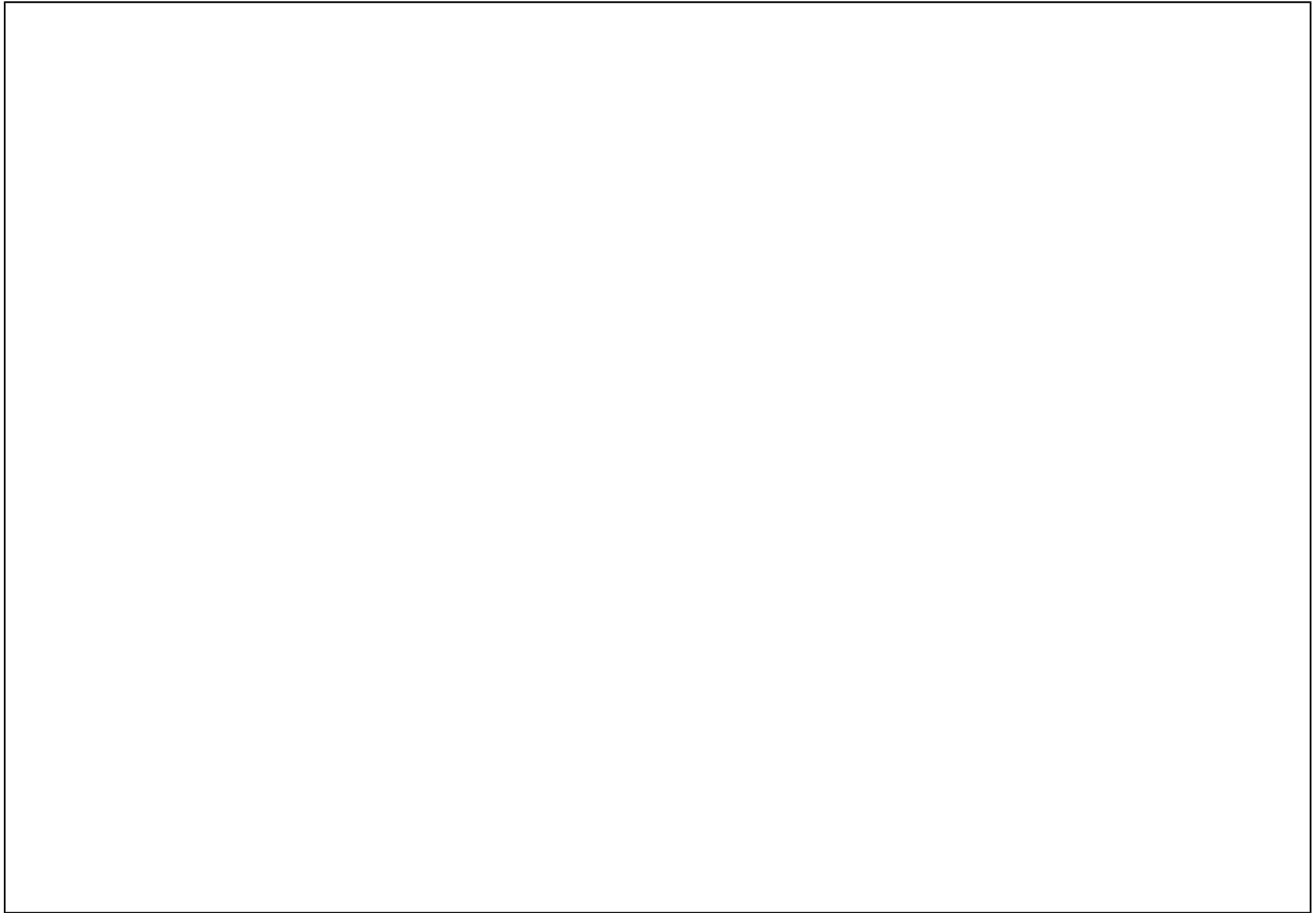
080000190

4668

* NEW PART

X ON DEMAND

A large, empty rectangular box with a thin black border, occupying the majority of the page. It is intended for handwritten notes.



A large, empty rectangular box with a thin black border, occupying the majority of the page. It is intended for handwritten notes.

WWW.KTM.COM



KTM Sportmotorcycle GmbH
5230 Mattighofen, Austria
www.ktm.com



KTM_POWERPARTS

KTM_POWERWEAR

KTM_ORIGINAL SPARE PARTS



F8103S9EN

Art. Nr.: F8103S9EN 26. Feb 2018