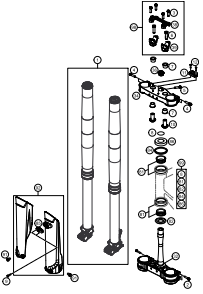
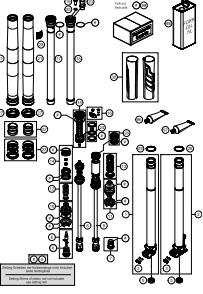
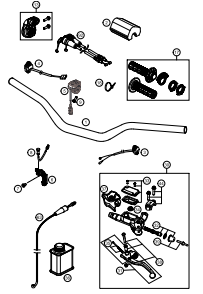
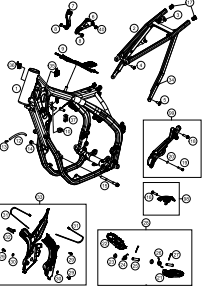
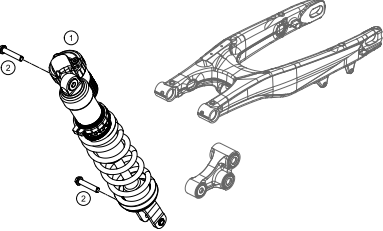
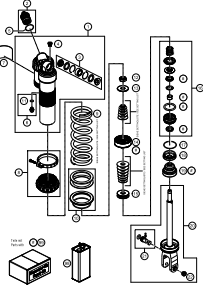
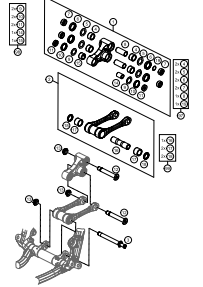
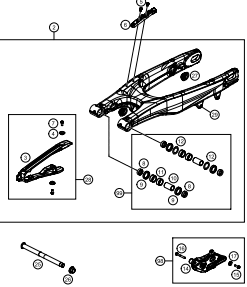
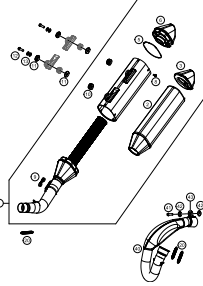
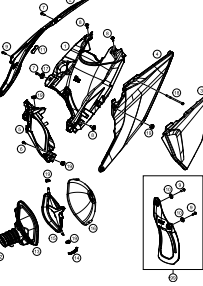
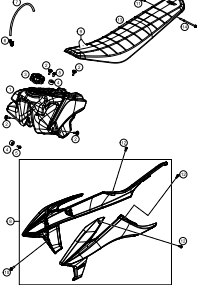
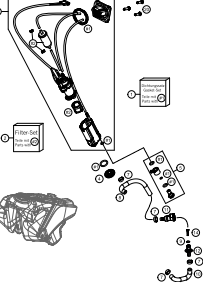
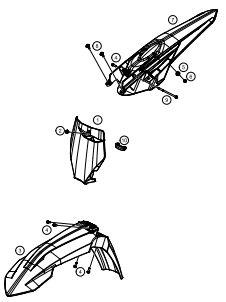
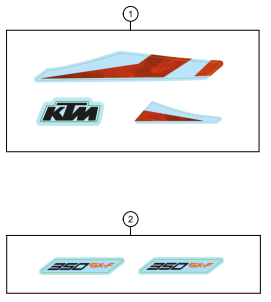
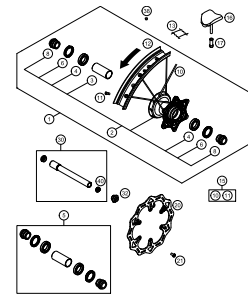
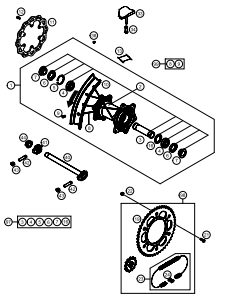
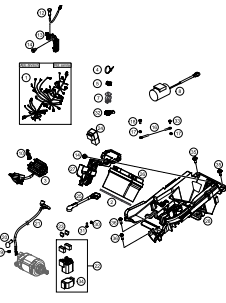
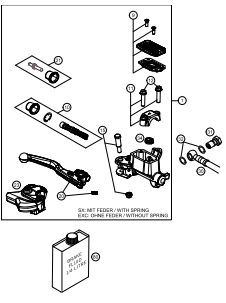
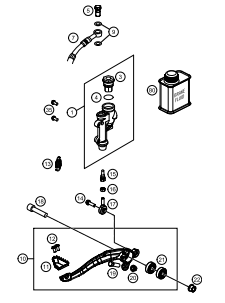
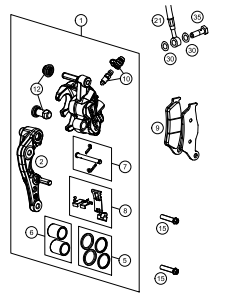
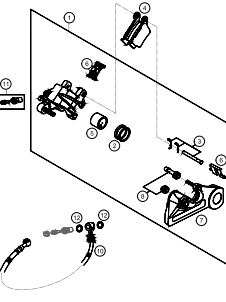
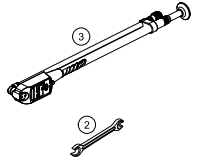



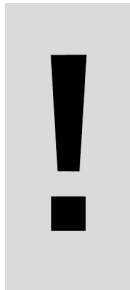
350 SX-F 2020 2020

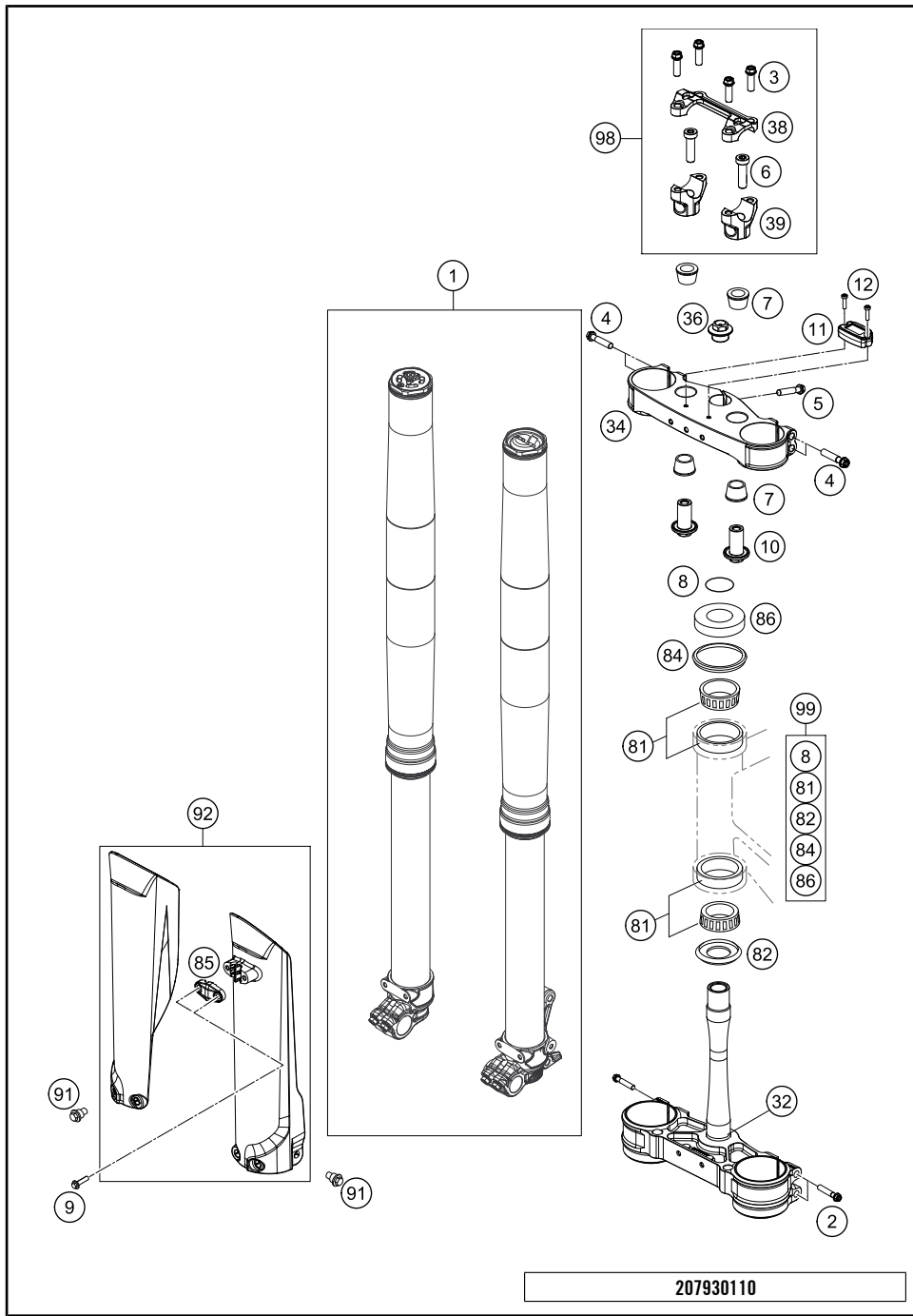
ART.-NR.: F8201T5EN



<p>FRONT FORK, TRIPLE CLAMP</p>  <p>4</p>	<p>FRONT FORK DISASSEMBLED</p>  <p>5</p>	<p>HANDLEBAR, CONTROLS</p>  <p>6</p>	<p>FRAME</p>  <p>7</p>
<p>SHOCK ABSORBER</p>  <p>8</p>	<p>SHOCK ABSORBER DISASSEMBLED</p>  <p>9</p>	<p>PRO LEVER LINKING</p>  <p>10</p>	<p>SWING ARM</p>  <p>11</p>
<p>EXHAUST SYSTEM</p>  <p>12</p>	<p>AIR FILTER</p>  <p>13</p>	<p>TANK, SEAT</p>  <p>14</p>	<p>FUEL PUMP</p>  <p>15</p>

<p>MASK, FENDERS</p>  <p style="text-align: right;">16</p>	<p>DECAL</p>  <p style="text-align: right;">17</p>	<p>FRONT WHEEL</p>  <p style="text-align: right;">18</p>	<p>REAR WHEEL</p>  <p style="text-align: right;">19</p>
<p>WIRING HARNESS</p>  <p style="text-align: right;">20</p>	<p>FRONT BRAKE CONTROL</p>  <p style="text-align: right;">21</p>	<p>REAR BRAKE CONTROL</p>  <p style="text-align: right;">22</p>	<p>FRONT BRAKE CALIPER</p>  <p style="text-align: right;">23</p>
<p>REAR BRAKE CALIPER</p>  <p style="text-align: right;">24</p>	<p>SEPERATE ENCLOSURE</p>  <p style="text-align: right;">25</p>	<p>WP SHIMS FOR SETTING</p>  <p style="text-align: right;">26</p>	

	 <p>All information contained is without obligation. KTM Sportmotorcycle GmbH particularly reserves the right to modify any equipment, technical specifications, prices, colors, shapes, materials, services, service work, constructions, equipment and the like so as to adapt them to local conditions or to cancel any of the above items, all without previous announcement and without giving reasons. KTM may stop manufacturing certain models without previous notice. KTM shall not be held liable for any deviations of availability and/or ability to deliver, illustrations, descriptions, printing and/or other errors. The illustrated models partly contain extra equipment, which is not applied to standard models.</p> <p>© by KTM Sportmotorcycle GmbH, Mattighofen AUSTRIA; All rights reserved; Reprint, also in extracts, with written allowance of KTM Sportmotorcycle GmbH, Mattighofen only.</p>		



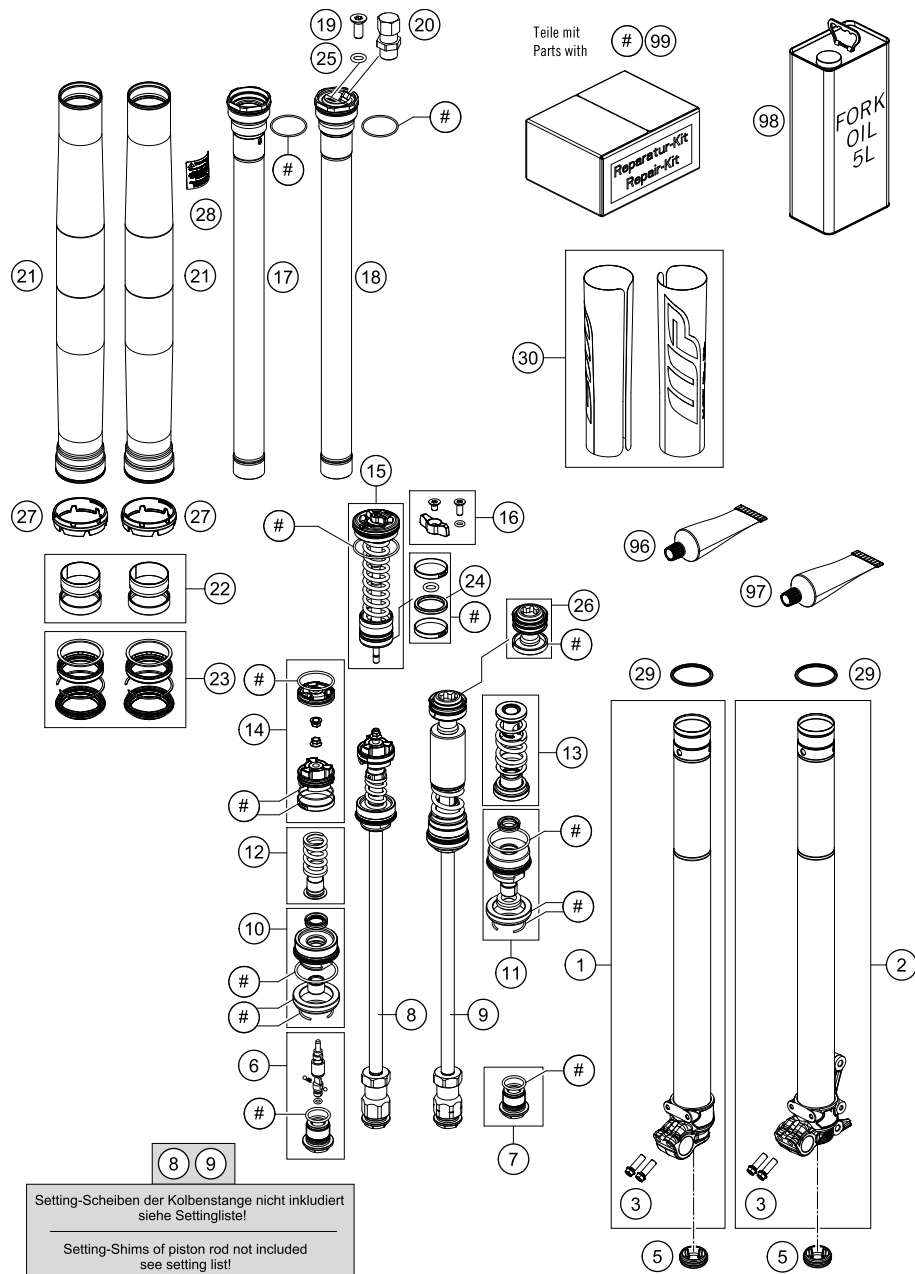
POS	PARTNUMBER	PARTNAME	PIECE
1	34188T0701	Fork 350 SX-F 2020	1
2	0025080506	HH collar screw M8x50 TX40	4
3	0025080256	HH collar screw M8x25	4
4	0025080406	HH COLLAR SCREW M8X40 TX40	4
5	0015080256S	HH COLLAR SCREW M8X25 WS=10	1
6	0032100356S	AH-COLLAR SCREW M10X35 ISA45	2
7	83001040000	RUBBER BUSH	4
8	0770025035	O-RING 25X3,55 NBR70 05	1
9	0017060206	SCREW F. PLASTIC K60X20AL SW6	2
10	79001037034	HANDLEBAR SUPPORT LOWER PART	2
11	78112020050	HOUR METER	1
12	0912040163	AH SCREW DIN0912-M 4X16	2
32	7900103202230	LOWER TRIPLE CLAMP CPL. 16	1
34	7910103402230	Top triple clamp X=22 mm 2019	1
36	70009082000	AXLESCREW M20X1.5 SW17	1
38	79001038000	HANDLEBAR CLAMP 28MM	1
39	79001039036	HANDLEBAR SUPPORT D28MM-H36MM	2
81	54201081100	TAPERED ROLLER BEARING CPL. 06	2
82	77701084000	O-RING SUPPORT W. SEALING LIP	1
84	54601184000	STEERING HEAD GASKET TOP	1
85	77701085100AB	Clamp for brake hose	1
86	78101086000	STEERING HEAD COVER	1
91	59001092050	SPECIAL SCREW M6X12,5 WS=8	6
92	77701094100ABA	Fork Protector kit SX/XC 2020	1
98	00050000929	HANDLEBAR SUPPORT KIT D28/H36	x
99	00050000930	STEERING HEAD REP. KIT 06-15	x

207930110

52657

* NEW PART

X ON DEMAND



POS	PARTNUMBER	PARTNAME	PIECE
1	48601408S2	FORK LEG R/S + TUBE CPL.	1
2	48601407S2	FORK LEG L/S + TUBE CPL.	1
3	0025080256	HH collar screw M8x25	4
5	48600692	Rubber cap 26,4x11	2
6	48601484S	Adjustment screw slot M20x1 cpl.	1
7	48601533S	HH collar screw M20x1x18 cpl.	1
8	48601574S4	Pistonrod D12 M9x1 L385 cpl.	1
9	48601501S1	Piston Rod left kpl. M12x1	1
10	48601462S1	SCREW SLEEVE OIL CPL.	1
11	48601452S1	Screw sleeve M35,5x0,8	1
12	48600578S	Spring (13,9) 37-32 rebound cpl.	1
13	48601820S	Spring (22) 60-30 rebound cpl.	1
14	RP10024	Repair kit piston air fork	x
15	48602049S	Basevalve cpl.	1
16	RP10025	Adjuster kit screw cap compression	x
17	48602048S1	screw cap M51x1,5 cpl.	1
18	48602047S1	screw cap M51x1,5 cpl.	1
19	00600003	ISA countersunk head screw M4x10 DIN7991	1
20	48601494S	VALVE M8X1 INCL. SCREW CAP	1
21	48601671	Fork outer tube 49,13x577 dt54 db60 natu	2
22	R14047	Guide bushing set fork 48mm	x
23	RP10012	Sealkit 48mm SKF black	x
24	04100002	X-ring 26,57x3,53 FKM80	1
25	50180222	O-ring 4x1,5 NBR70	1
26	48601628S	Piston 34x35,4 mainpiston Freudenb cpl.	1
27	48601948	Fork protection ring 60,1mm	2
28	52000158	Sticker warning 40x40	1
29	48602007	Stroke indicator 48mm red	2
30	52000235SET	Sticker set XACT 5 AER CC 182.5x238	1
96	T14034	Fuchs grease IPR (250g)	x
97	00062010053	spezial grease AER Fork 50g	x
98	48601166S1	FORK OIL SAE4 5L	x
99	R14060	SEALING KIT	x

197950130

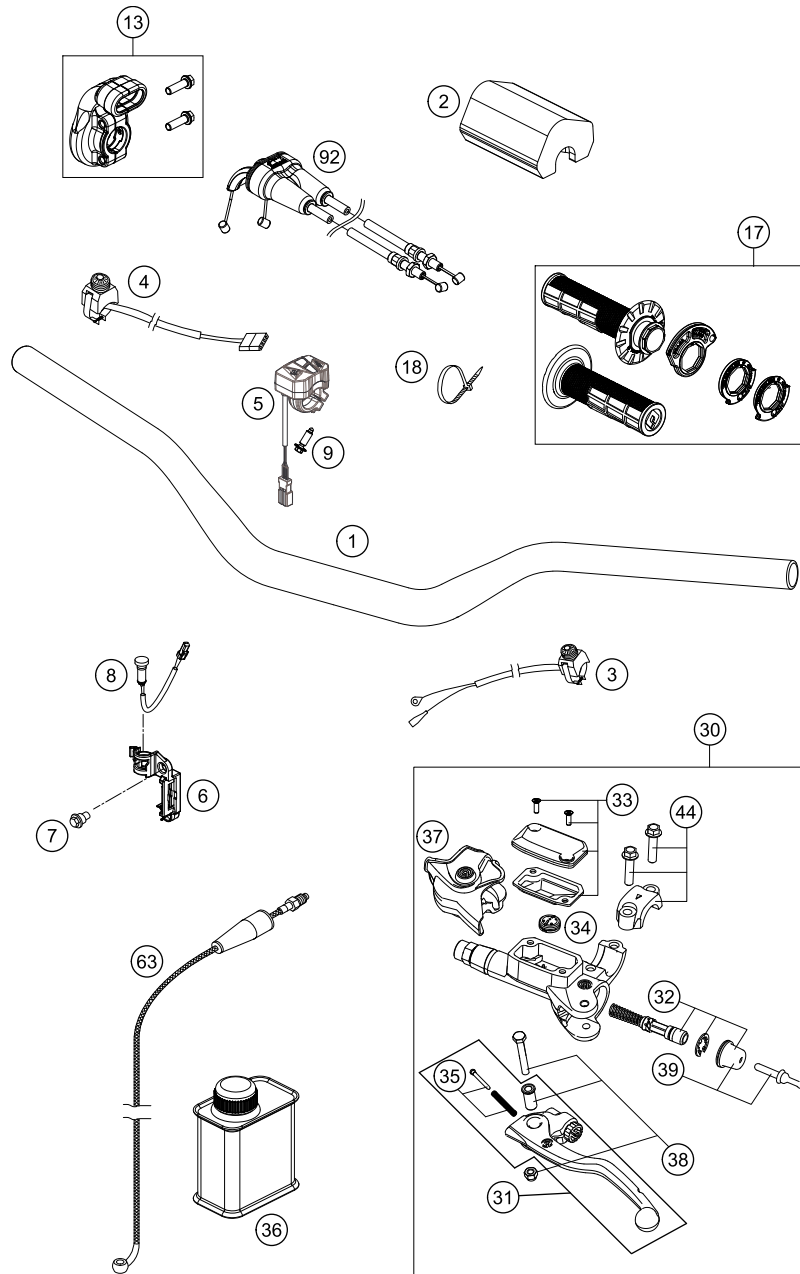
51746

* NEW PART

X ON DEMAND

HANDLEBAR, CONTROLS

350 SX-F 2020 2020



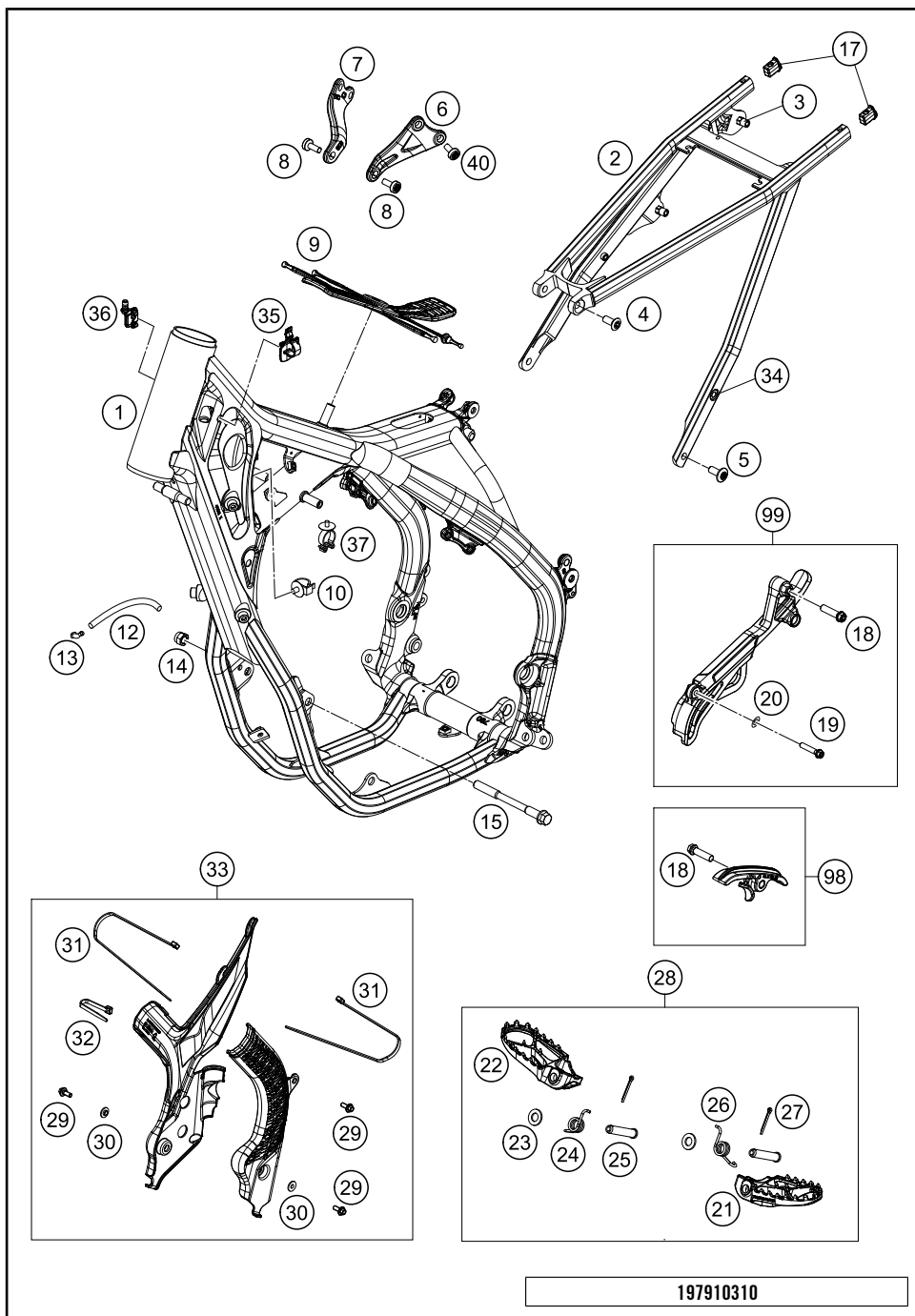
POS	PARTNUMBER	PARTNAME	PIECE
1	7900200100030	HANDLEBAR D=28MM	1
2	79102002044	Handlebar pad cpl.	1
3	50311089200	SHORT CIRCUIT BUTTON 02	1
4	78111074000	STARTER BUTTON GREY 13	1
5	79039074100	Map switch	1
6	77214098000	HOLDER INDICATOR LIGHT SX	1
7	59001092050	SPECIAL SCREW M6X12,5 WS=8	1
8	81214083000	INDICATOR LIGHT LED YELLOW FI	1
9	0081050181	SCREW FOR PLASTIC K50X18 T20	1
13	79002010125	Throttle control casing cpl.	1
17	79002021100	GRIP SET	1
18	44011076200	CABLE TIE 200/3,6MM BLACK	x
18	44011076140	CABLE TIE 140/2,5MM BLACK	x
30	54802030144	MASTER CYLINDER CPL.	1
31	54802031000	CLUTCH LEVER CPL. BREMBO 8	1
32	54802032000	REP. KIT PISTON 06	1
33	5480200310030	COVER HYD. CLUTCH CPL. 2014	1
34	54802051000	VALVE	1
35	54802052000	BOLT KPL.	1
36	00062030000	BRAKE FLUID DOT5.1 0,25L	1
37	54802037000	PROTECTION CAP 06	1
38	54802038100	LEVER SCREW CPL. 06	1
39	54802046000	PUSH ROD CPL.	1
44	54802005100	CLAMP CPL. 06	1
63	78132063000	CLUTCH PIPE	1
92	79102091000	Throttle cable wire	1

187940210

52314

* NEW PART

X ON DEMAND



POS	PARTNUMBER	PARTNAME	PIECE
1	7910300120033	Frame, T791T3	1
2	79103002000	Subframe	1
3	77303139000	BLIND RIVET NUT EM6-60LF/HX	2
4	0019080206S	FLAT HEAD SCREW M. ISA45 M8X20	2
5	79003003000	SPECIAL SCREW M8X18 TORX45 SS	2
6	7910301300001S	Engine brace, left	1
7	7910301400001S	Engine brace, right	1
8	0035080206S	SHCS M8x20 TX45	2
9	79607012000	TANK REST RUBBER	1
10	58111076000	CABLE SUPPORT KHS NR.150-47610	1
12	55007016001	PVC-HOSE 7X10 PER METER	x
13	50303089000	ANGLE PIECE '97	1
14	54310086100	SELF LOCKING NUT M10 CU WS=14	2
15	77203014000	engine brac.scr. M10x115	2
17	79103002010	Rear frame bit	2
18	0025080306	HH collar screw M8x30	2
19	0025060406	HH collar screw M6x40 TX30	1
20	0125060003	WASHER DIN0125-A 6,4	1
21	79003040000	FOOTREST L/S 2016	1
22	79003041000	FOOTREST R/S 2016	1
23	0125100003	washer DIN 125 A 10.5	2
24	79003044000	FOOTREST SPRING R/S 2016	1
25	54803044000	PIN FOR FOOT PED 51.5X9.8 MM	2
26	79003045000	FOOTREST SPRING L/S 2016	1
27	0094032253	PIN DIN0094-3,2X25 STEEL	2
28	79003040033	FOOT PEGS SET CPL. 2016	1
29	0014050123	HH COLLAR SCREW M 5X12 WS=6	3
30	54803092060	BUSH F. FRAME PROTECTION 03	2
31	44011076305	CABLE TIE 300/4,8MM BLACK	2
32	44011076140	CABLE TIE 140/2,5MM BLACK	1
33	7910309400030	Frame protection set	1
34	79003002080	BLIND RIVET NUT M6 KNURLED	2
35	79111093000	wire holder le 19	1
36	79107013010	wire holder / fuel ventilation	1
37	61111041000	CABLE SUPPORT 07	1
40	0035080156S	AH-COLLAR SCREW M8X15 TORX45	4
98	79003053010	CHAIN SLIDING KIT BELOW CPL.16	1
99	79003096010	SPROCKET COVER KIT	1

197910310

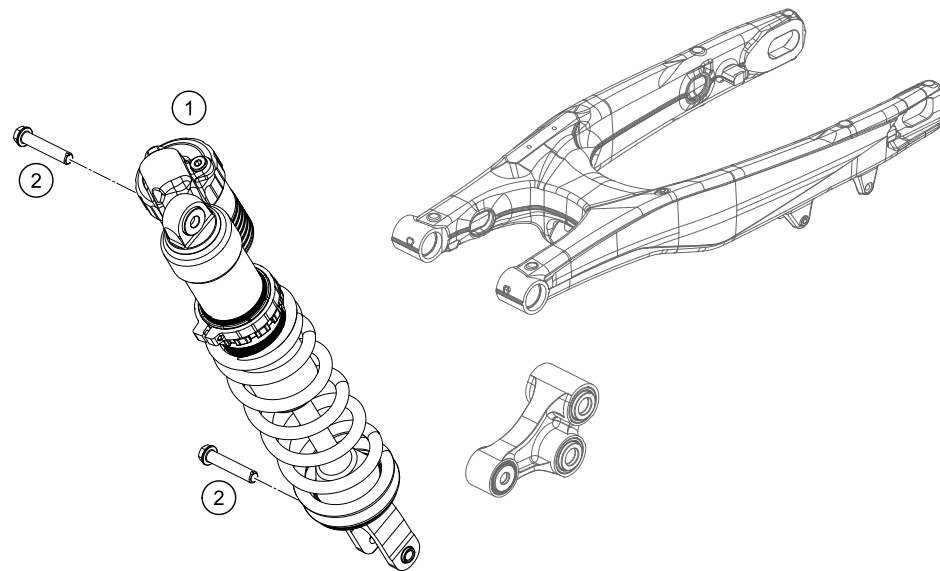
52315

* NEW PART

X ON DEMAND

SHOCK ABSORBER

350 SX-F 2020 2020



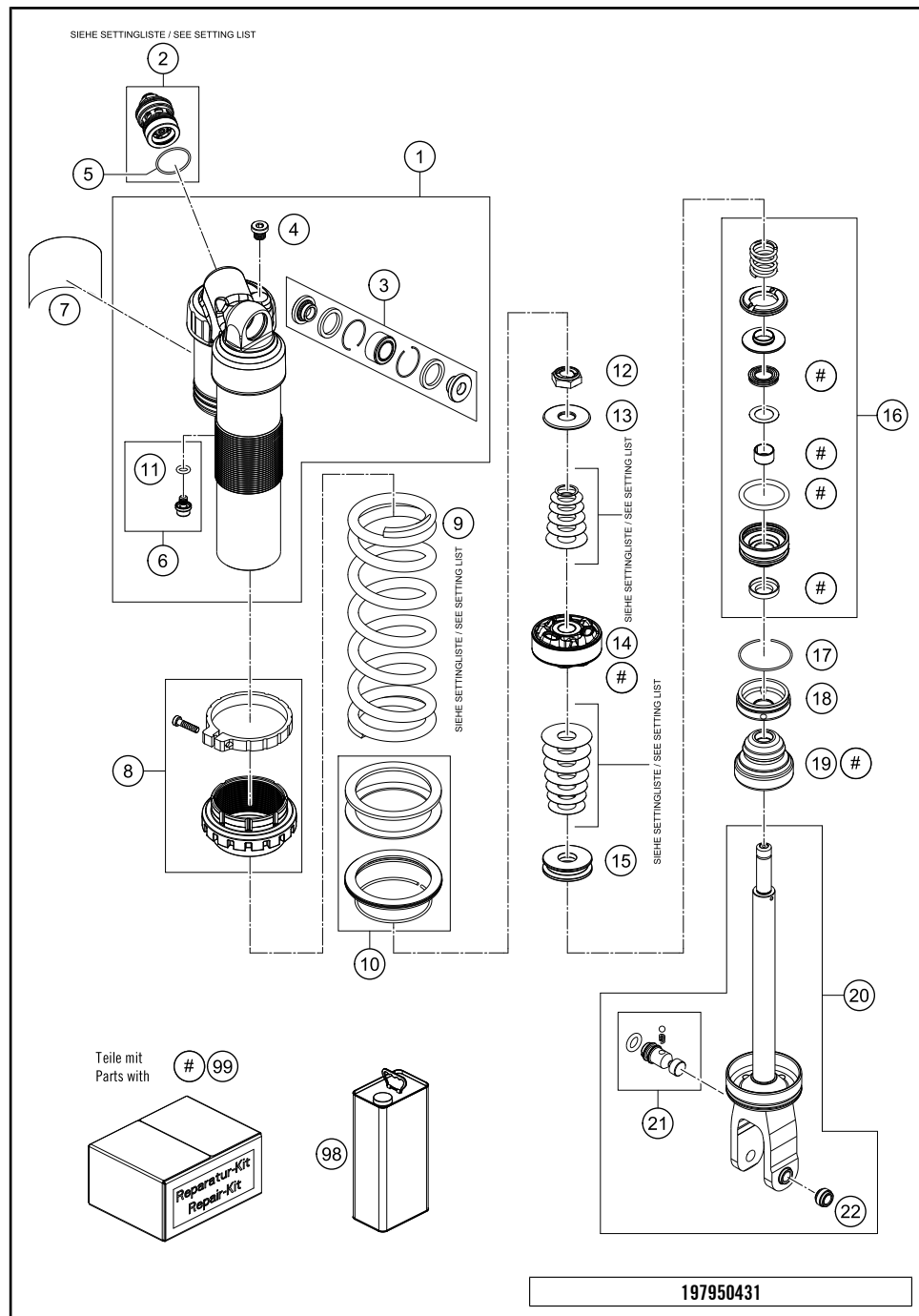
POS	PARTNUMBER	PARTNAME	PIECE
1	18187T0701	Shock absorber 350 SX-F 2020	1
2	77204089000	HH COLLAR SCREW M10X52 SW13	2

157890410

52492

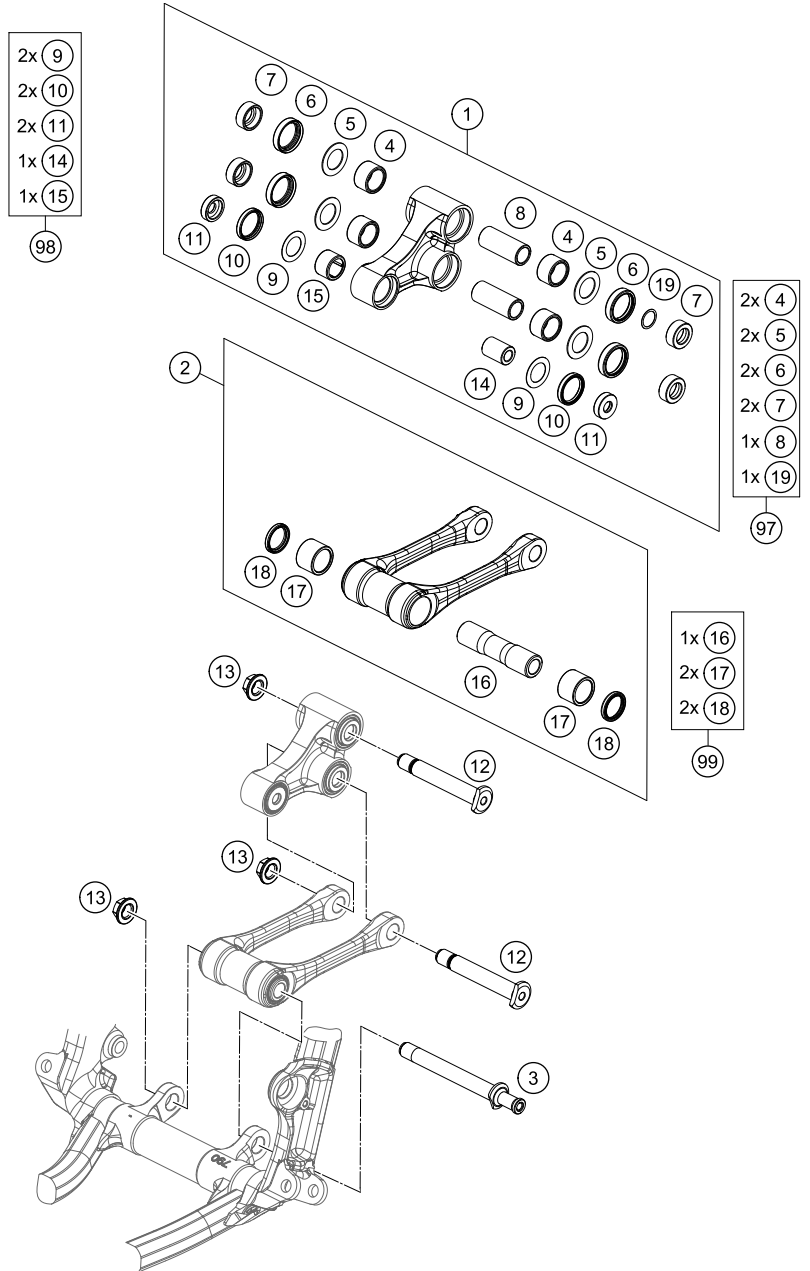
* NEW PART

X ON DEMAND



POS	PARTNUMBER	PARTNAME	PIECE
1	50181144S3	Shock housing M57,5x1 h30,5 cpl.	1
2	50181101S47	Basevalve cpl.	x
2	50181101S46	compression cpl.	x
2	50181101S45	compression cpl.	x
2	50181101S37	compression cpl.	x
3	R15006	REPAIR KIT BEARINGS 07	x
4	50180095	HS cylinder-head screw R1/8 l8	1
5	50180217	O-ring 27x1,5 Viton70 green ISO 3601-3S	1
6	36120151S	PLUG SCREW M5X6 CPL.	1
7	52000239	sticker XACT 90x54	1
8	50181347S	Plastic Spring Retainer cpl.	1
9	91210128S	Spring 255 36 N/MM	x
9	91210123S	SPRING 260 39 N/MM	x
9	91210124S	SPRING 260 42 N/MM	x
9	91210100S	SPRING 260 45 N/MM	x
9	91210101S	SPRING 260 48 N/MM	x
9	91210102S	SPRING 260 51 N/MM	x
9	91210103S	SPRING 260 54 N/MM	x
9	91210104S	SPRING 260 57 N/MM	x
9	91210105S	SPRING 260 60 N/MM	x
10	50180824S	SPRING PLATE SET	1
11	46810893	O-ring 5,28x1,78 NBR70 black	1
12	50181207	Locking nut M12x1 h9 WAF19	1
13	50181092	Rebound disc 12x34x2 h0	1
14	50181255S	Piston 12x50x20 cpl.	1
15	50181091	Rebound disc 12x43x12,5 h8	1
16	50180603SA	Sealholder 50x28 cpl.	1
17	50180126	Round-wire snap ring 53x1,75	1
18	50181349	Cap 50,12x16 h6	1
19	50181100	Rubber pad 18x58x46 black	1
20	50181148S1	MONOSHOCK BOTTOM PART CPL.	1
21	50181094S	ADJUSTING SCREW M8X0,5 CPL.	1
22	46811205	Bush M10x12/15/13x9,5	1
98	50180751S1	SHOCK ABSORBER FLUID 5 LT	x
99	RP10019	Rebuild kit 5018 Link 2019	x

* NEW PART X ON DEMAND

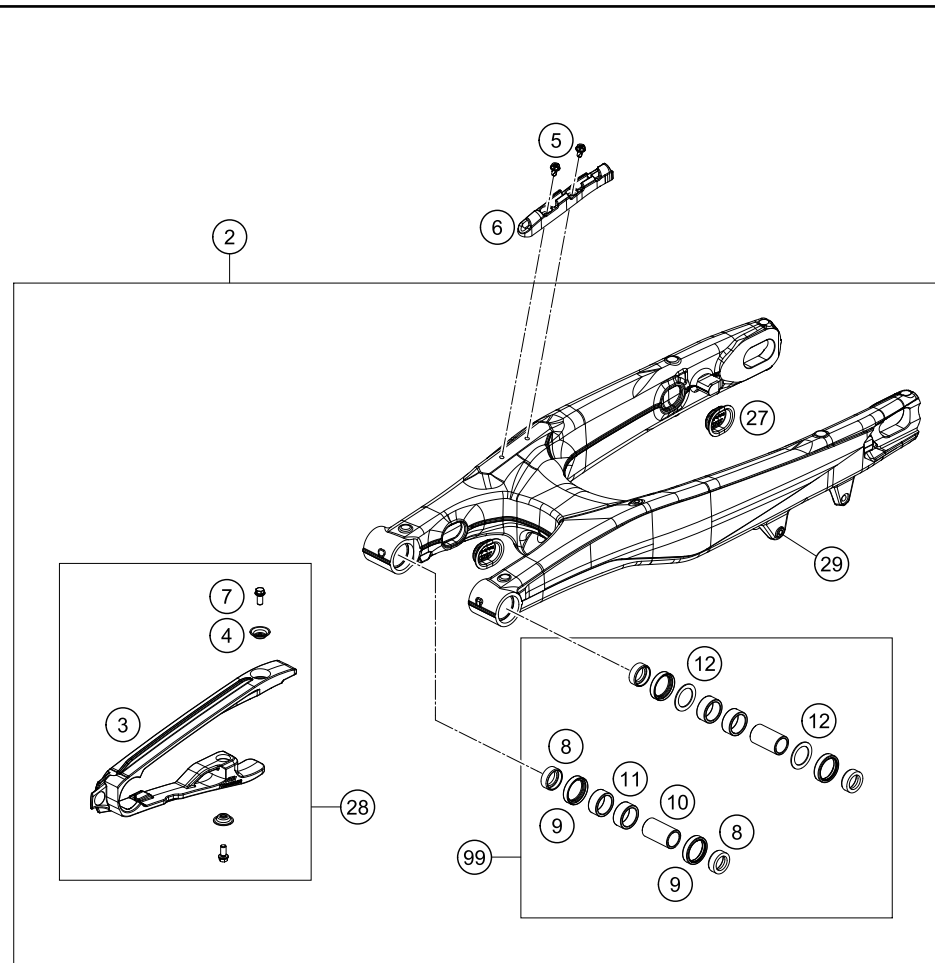


POS	PARTNUMBER	PARTNAME	PIECE
1	7900408014401	TRIANGLE LEVER CPL. SX 2017	1
2	7900408304401	PULLROD CPL. SX 2016	1
3	79004084000	BOLT TIE-ROD BEARING M14X1,5	1
4	54603097000	NEEDLE BUSH HK 2016	4
5	59033080000	SHIM 20X32X1	4
6	0760253270	radial shaft seal 25x32x7	4
7	77204080130	BUCKET SHAFT SEAL RING 25X11	4
8	54603081000	BUSHING SLEEVE 15 X 20 X 48	2
9	50180604	Shim 29,75x19x0,4	2
10	0760243050	SHAFT SEAL RING 24X30X5	2
11	77204080020	BUCKET FOR SHAFT SEAL RING	2
12	77204085000	BOLT FOR CANTILEVER M14	2
13	77204087000	hex nut M14x1.5 WS17	3
14	77204080010	BEARING SLEEVE 10X18X25,5	1
15	0618182416	NEEDLE BUSH HN1816 RS 18/24/16	1
16	79004084010	BEARING SLEEVE F. TIE-ROD 16	1
17	0618222820	NEEDLE BEARING HK2220 22X28X20	2
18	0760222841	SHAFT SEAL RING G22x28x4	2
19	54603090010	STEEL WASHER 15,2X19X0,1	x
19	54603090020	STEEL WASHER 15,2X19X0,2	x
19	54603090030	STEEL WASHER 15,2X19X0,3	x
97	77204080110	TRIANGLE LEVER REP. KIT REAR	x
98	77204080090	TRIANGLE LEVER REP. KIT FRONT	x
99	79004083010	PULL ROD REP. KIT SX-F	x

157890460

49585

* NEW PART X ON DEMAND



POS	PARTNUMBER	PARTNAME	PIECE
2	79104030044	Swingarm cmpl. 2019	1
3	77204066100	CHAIN SLIDING PROTECTION	1
4	77304066050	chain slider bushing	2
5	0009050106	EJOT SPIRAL SCREW SF M5X10-K	2
6	79004042000	BRAKE HOSE GUIDE	1
7	59009062013	SPECIAL SCREW M6X13 WS=8 10.9	2
8	77704034000	SUPPORT F. SHAFT SEAL RING 16	4
9	0760253270	radial shaft seal 25x32x7	4
10	59404032000	BEARING SLEEVE 17X22X38,7 03	2
11	0618222812	NEEDLEBEAR HK2212V 22/28/12 MB	4
12	54603036000	STOP DISK 22,2X31,7X1	2
14	79004070000	CHAIN GUIDE	1
15	59009062019	SPECIAL SCREW M6X19 WS=8 10.9	1
16	0025060456	HH COLLAR SCREW M6X45 TX30	1
17	77304070130	BUSH. F. CHAIN FAIL. PROT. 07	1
25	79004037000	SWING ARM M16X1,5 2016	1
26	54804038000	SELF LOCK.NUT M16X1,5 WS=19 03	1
27	77204041000	CLOSING COVER	4
28	77204066010	CHAIN GUARD CPL. 11-15	1
29	54603055051	PRESS IN NUT M6 STEEL ZINC	1
98	77704070210	CHAIN GUIDE KIT REAR SX-F 14	1
99	79004030010	SWING ARM REPAIR KIT SX-F	x

167940490

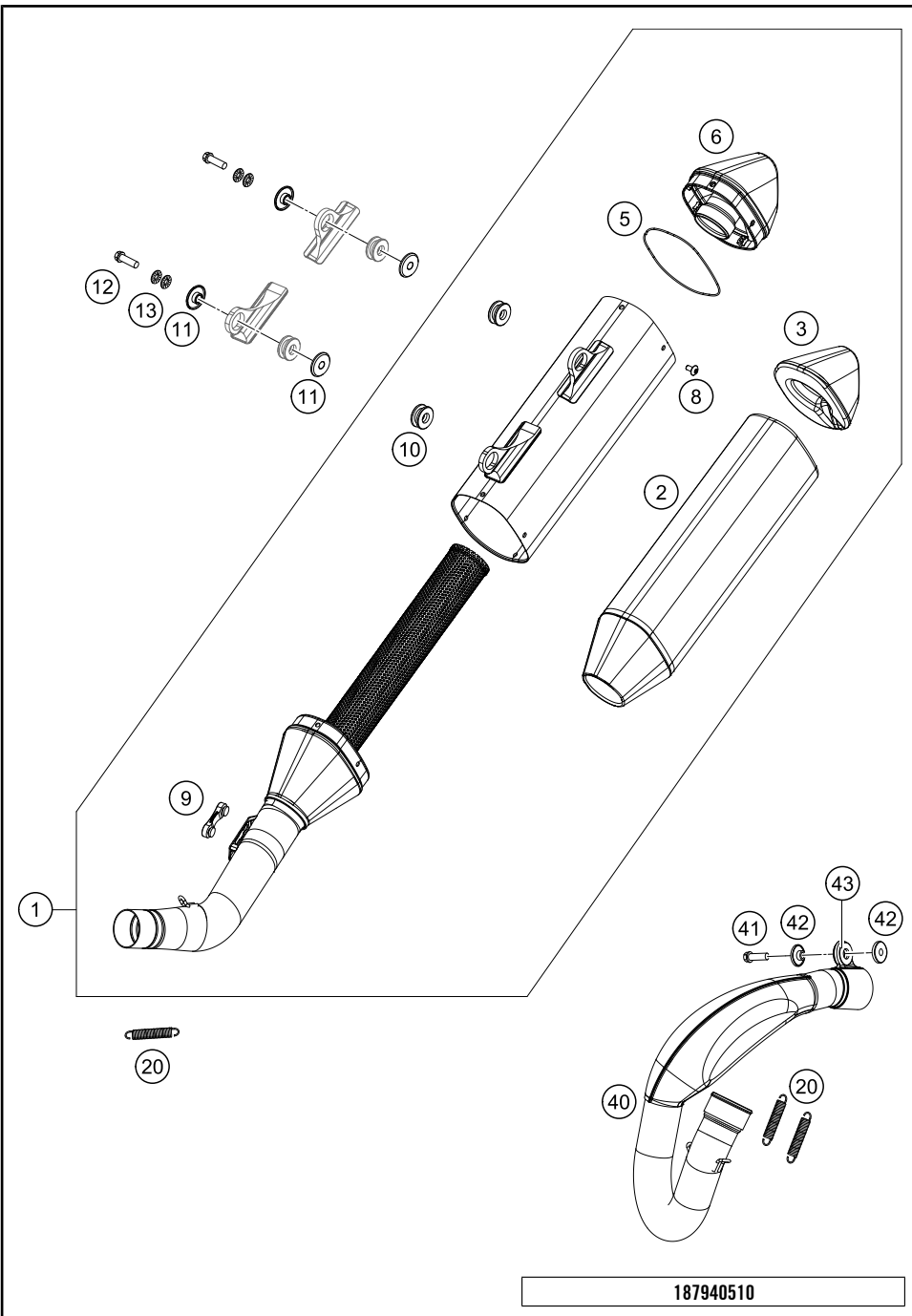
52317

* NEW PART

X ON DEMAND

EXHAUST SYSTEM

350 SX-F 2020 2020

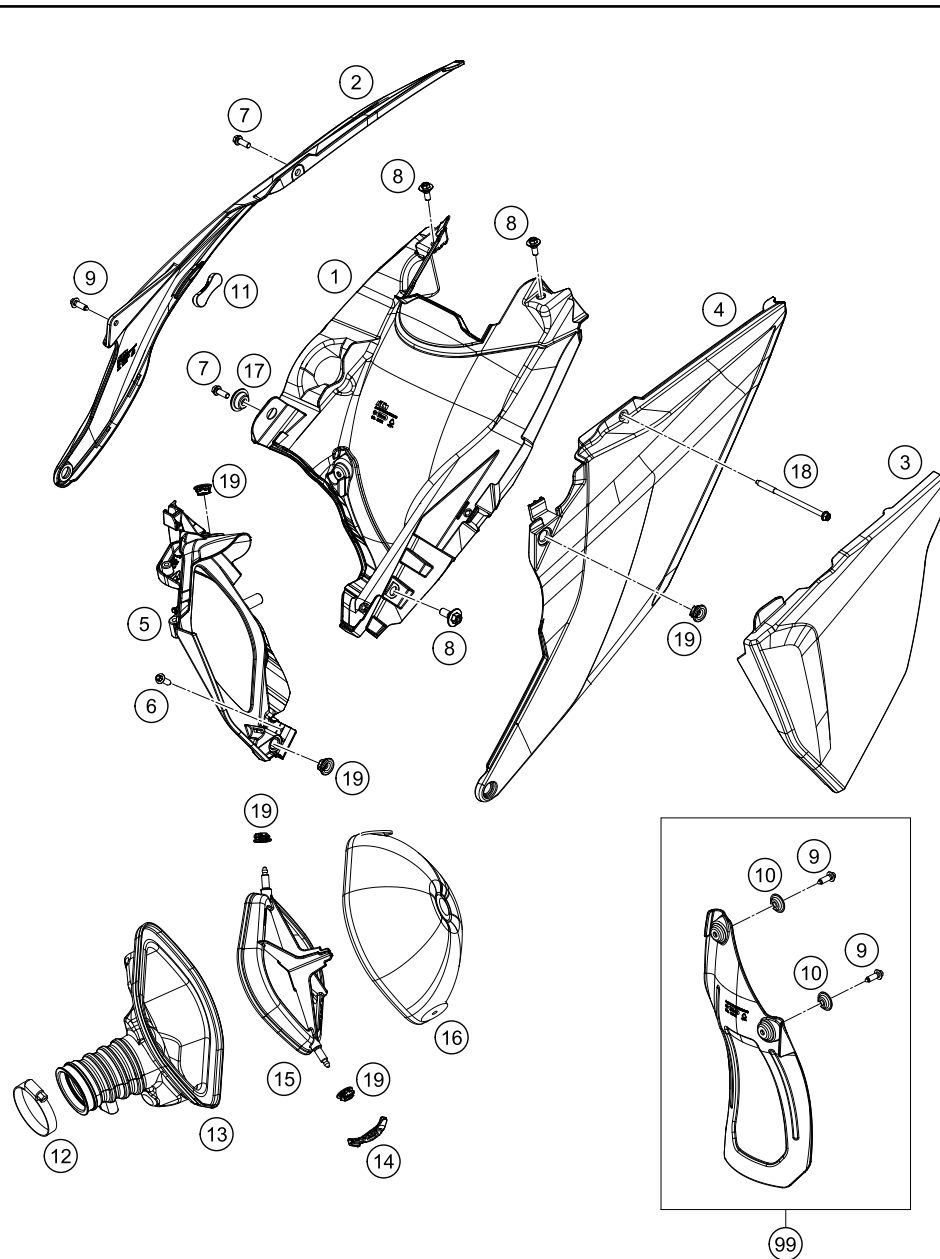


POS	PARTNUMBER	PARTNAME	PIECE
1	79305079000	Silencer	1
2	79305078520	Rockwool preformed	1
3	79105078080	Rockwool preformed	1
5	0770800021	O-RING 80,00X2,00 VITON	1
6	79305079060	Endcap cmpl.	1
8	78105081010	SCREW TORX M5X10	5
9	79105098000	exhaust spacer	1
10	77205068000	DAMP. COMPON. BLACK	2
11	77205169000	BUSHING 7.5x12x28x8.3 11	4
12	0025060306	HH collar screw M6x30 TX30	2
13	50233041000	PAIR OF WASHERS M 6 NORDLOCK	2
20	50305016000	TEN.SPRING L=62MM EY.MOVEABLE	3
40	79305007000	Header KTM 350 SX-F	1
41	0025080256	HH collar screw M8x25	2
42	77805069000	BUSHING 8.5x12x28x8.3	2
43	79105068000	Damper gray	1

187940510

52660

* NEW PART X ON DEMAND



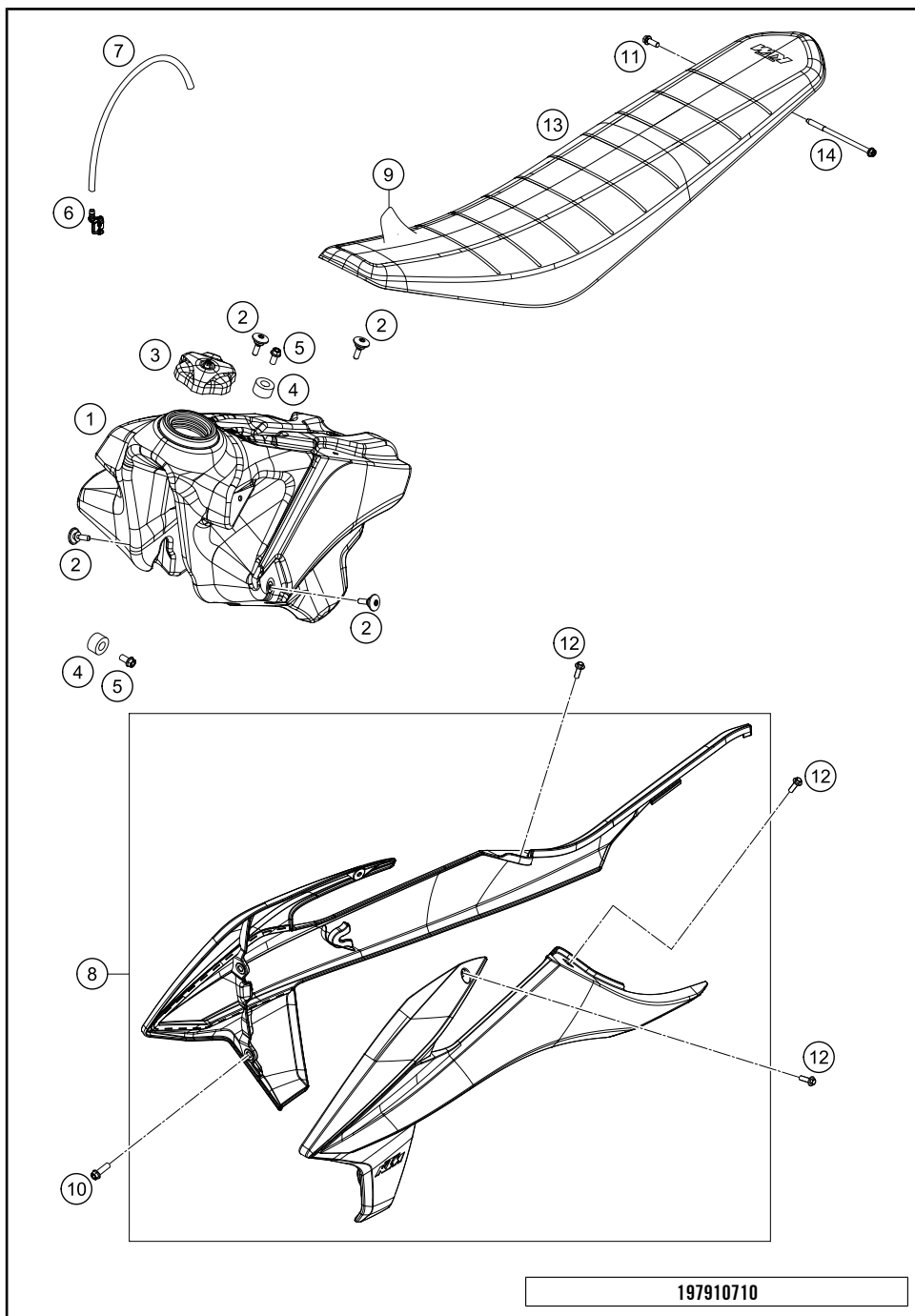
187940610

POS	PARTNUMBER	PARTNAME	PIECE
1	79106001000AB	Air filter box	1
2	79106004000AB	Filter box cover right	1
3	79106003000ABA	Air filter cover left	1
4	79106005000AB	Filter box cover left	1
5	79106001010AB	Air filter box front part	1
6	0017060205	SCREW FOR PLASTIC K60X20 SW6	1
7	0025060166	HH collar screw M6x16 TX30	2
8	83008000015	SPECIAL SCREW M6X15X3	2
9	0017060206	SCREW F. PLASTIC K60X20AL SW6	3
10	77304066050	chain slider bushing	2
11	79105098000	exhaust spacer	1
12	78006027000	HOSE CLAMP 45-65MM	1
13	79106026000	Airbox Rubber	1
14	79006017000	FILTER MOUNTING BRACKET	1
15	79006016000	AIR FILTER SUPPORT	1
16	79006015000	AIR FILTER	1
17	77308013010	COLLAR BUSH. F.REAR FENDER 07	1
18	79107040010	Seat screw	1
19	47106003160	quick release rubber grommet	5
99	79006010010	SPLASH PROTECTOR KIT	1

52319

* NEW PART

X ON DEMAND



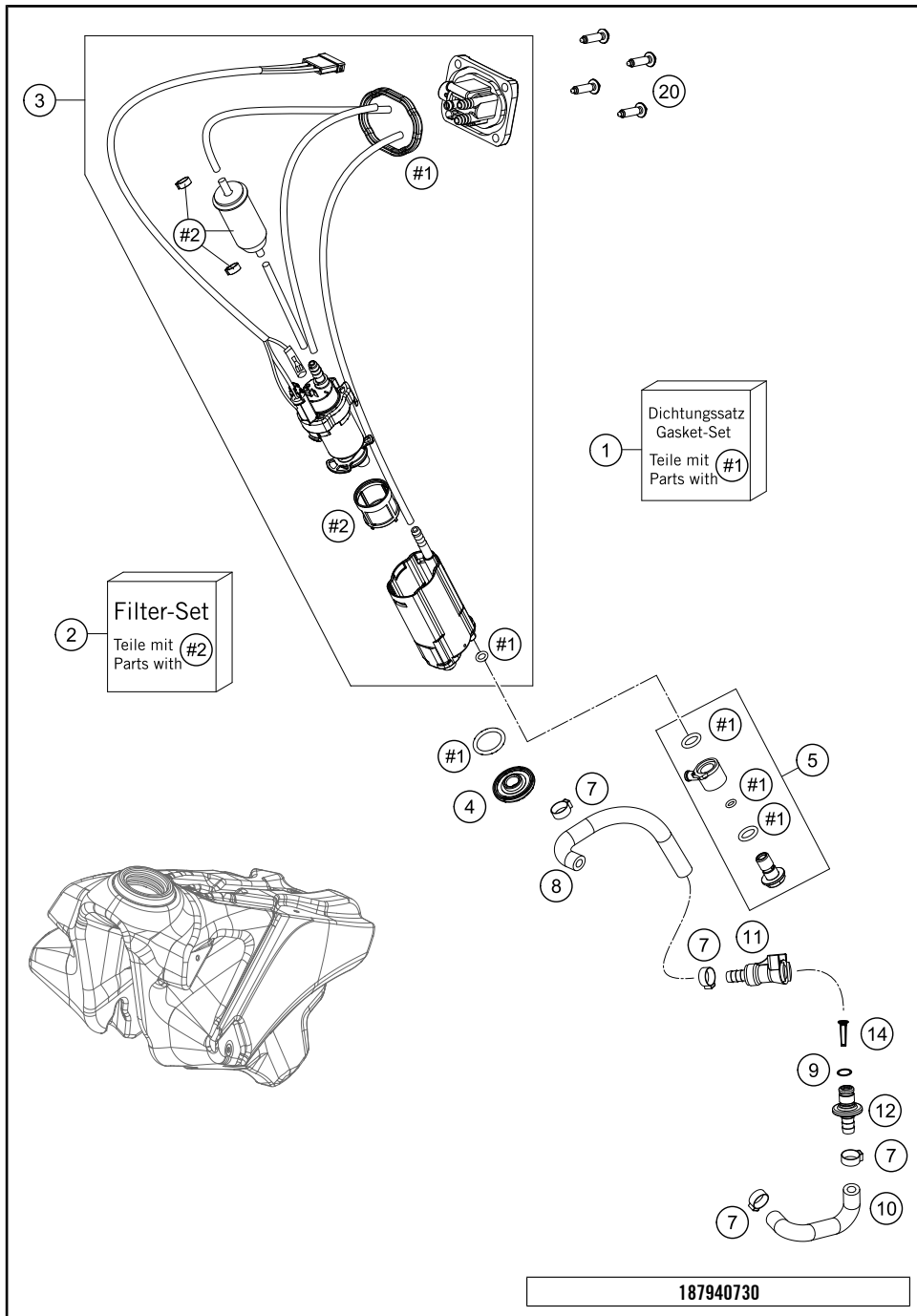
POS	PARTNUMBER	PARTNAME	PIECE
1	7910701300030	Fuel tank	1
2	79107011000	Seat holder screw	4
3	7770700814404	TANK PLUG CPL. 2014	1
4	50307014000	TANK ROLLER 12X26X12 '98	3
5	0026060136	COLLAR SCREW M6X13 ISA30	3
6	79107013010	wire holder / fuel ventilation	1
7	78007000270	PVC-HOSE 5,6X10X270MM	1
8	79108054000ABA	Spoiler set SX/XC 2020	1
9	79107040060	seat cover	1
10	0025060126	HH collar screw M6x12 TX30	4
11	0025060166	HH collar screw M6x16 TX30	1
12	0017060206	SCREW F. PLASTIC K60X20AL SW6	4
13	79107040000	Seat	1
14	79107040010	Seat screw	1

197910710

52320

* NEW PART

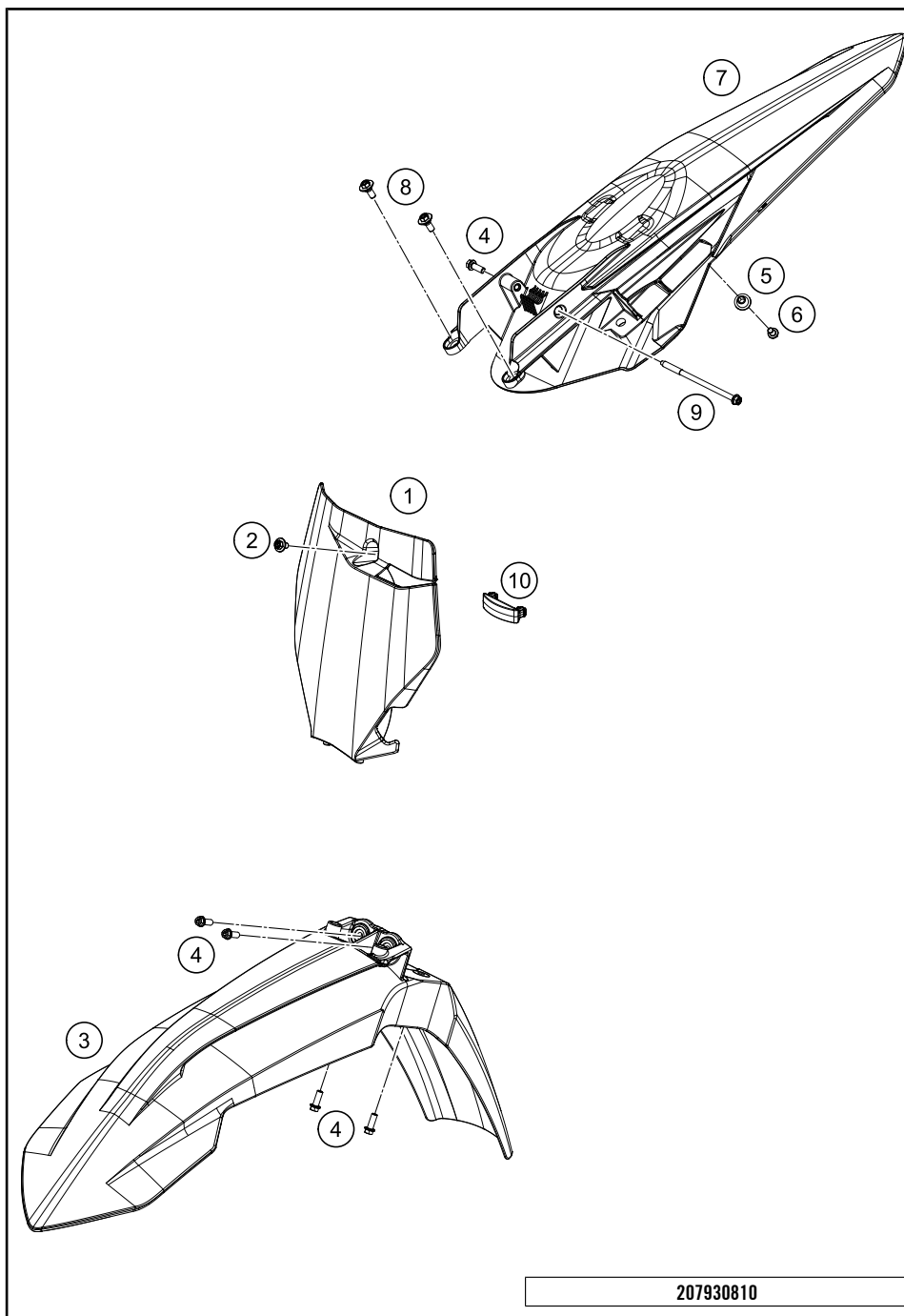
X ON DEMAND



POS	PARTNUMBER	PARTNAME	PIECE
1	78107089000	GASKET KIT	1
2	81207090100	FILTER KIT	1
3	79107088000	fuel pump	1
4	78107088014	NUT F. FUEL PUMP M12	1
5	79107090044	Fuel connection cmpl.	1
7	00050157706	VARIABLE ONE-EAR CLAMP 15,7MM	4
8	79107017000	fuel hose cpl.	1
9	58507012000	O-RING VITON F. PLUG CPC 05	1
10	79007018100	FUEL HOSE THROTTLE BODY	1
11	5850701050030	CLUTCH CPC BLACK 05	1
12	77707010000	CONNECTOR FUEL PUMP	1
14	78141013190	FUEL FILTER	1
20	0017060255	EJOT PT SCREW K60X25-Z SW6	4

52321

* NEW PART X ON DEMAND



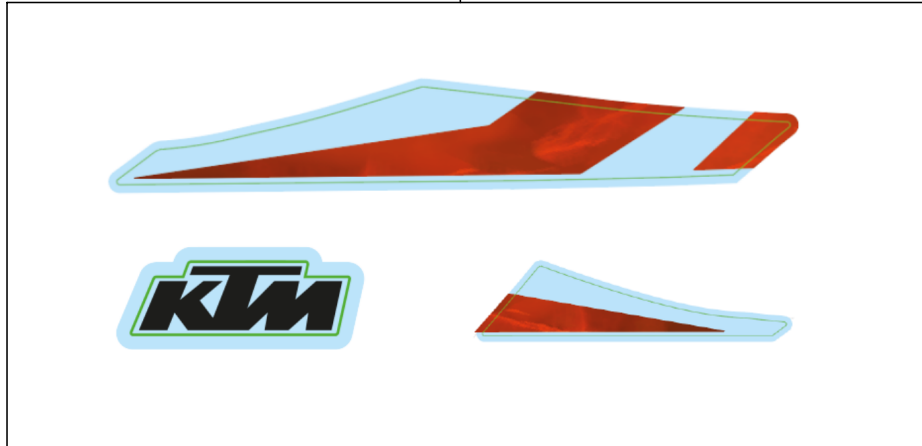
POS	PARTNUMBER	PARTNAME	PIECE
1	79108007100AB	Start number plate	1
2	0024060106	HH COLLAR SCREW M6X10 TX30	1
3	79008010000EB	FRONT FENDER ORANGE 15	1
4	0025060166	HH collar screw M6x16 TX30	5
5	79103002020	Subframe bush	2
6	0025060256	HH collar screw M6x25 TX30	2
7	79108013000AB	Tail section SX	1
8	83008000015	SPECIAL SCREW M6X15X3	2
9	79107040010	Seat screw	1
10	26608005010	Abrasion protection	1

207930810

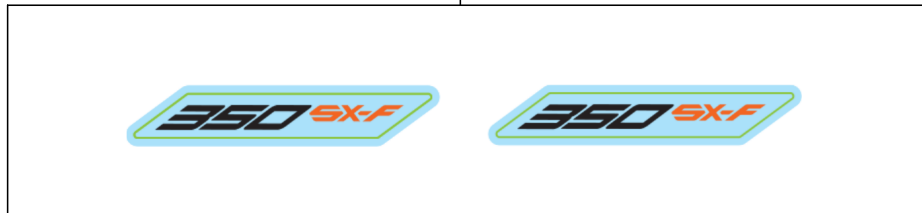
52322

* NEW PART X ON DEMAND

1



2



POS	PARTNUMBER	PARTNAME	PIECE
1	79108099000	Graphics kit SX/XC 2020	1
2	79108098016	Decal set 350 SX-F 2020	1

207930831

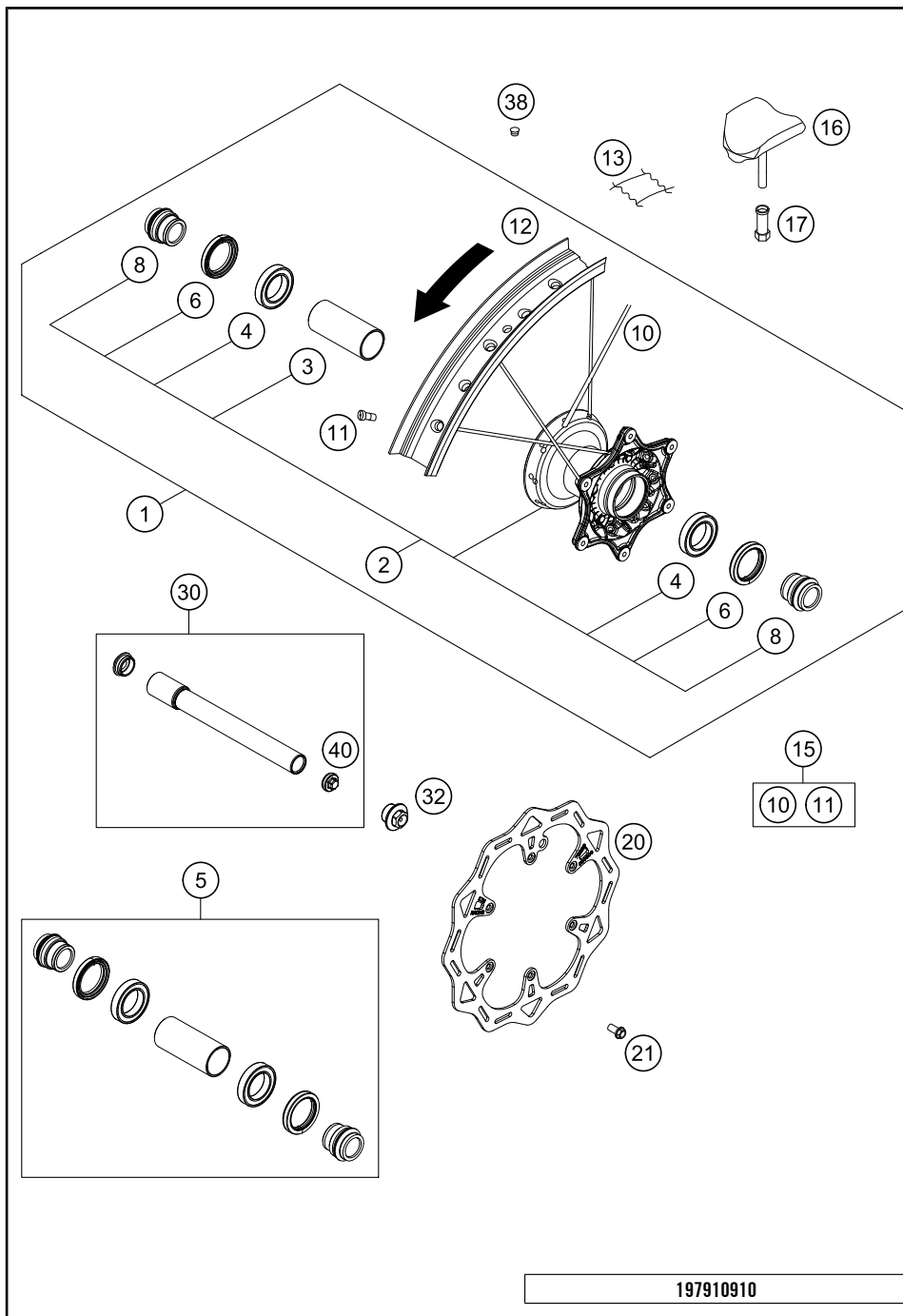
52323

* NEW PART

X ON DEMAND

FRONT WHEEL

350 SX-F 2020 2020



POS	PARTNUMBER	PARTNAME	PIECE
1	7900900144430	FRONT WHEEL Cmpl. 1.6X21"EXCEL	1
2	77709010144	FRONT WHEEL HUB CPL.	1
3	54809011000	BEA.SPACERTUBE 35X2 L=79,4 03	1
4	0625069068	GR.BALL BEAR.6906 DDU2CG23S6NM	2
5	77709015000	FRONT WHEEL REP. KIT SX-F USA	1
6	0760354771	SHAFT SEAL RING 35X47X7 TC	2
8	77709012000	SPACER BUSHING F. FR. WHEEL	2
10	7710907122630	SPOKE M4,5X226- 21" BLACK 12	36
11	79109072000	Spoke nipple M4.5	36
12	7910907000030	Front Rim 21x1.60	1
13	50309073000	RIM BAND 21"	1
15	00050000954	SPOKE KIT FRONT "21" BLACK	x
16	78109090000	RIM LOCK 1,60"	1
17	77110090050	NUT FOR WHEEL HOLDER	1
20	79009060000	BRAKE DISC FRONT 260MM 16	1
21	59009062013	SPECIAL SCREW M6X13 WS=8 10.9	6
30	79109081033	Wheel spindle front cmpl, 2019	1
32	70009082000	AXLESCREW M20X1.5 SW17	1
38	55003135000	PLUG FOR RIM	x
40	7770908107055	AUXILIARY SCREW FRONT	1

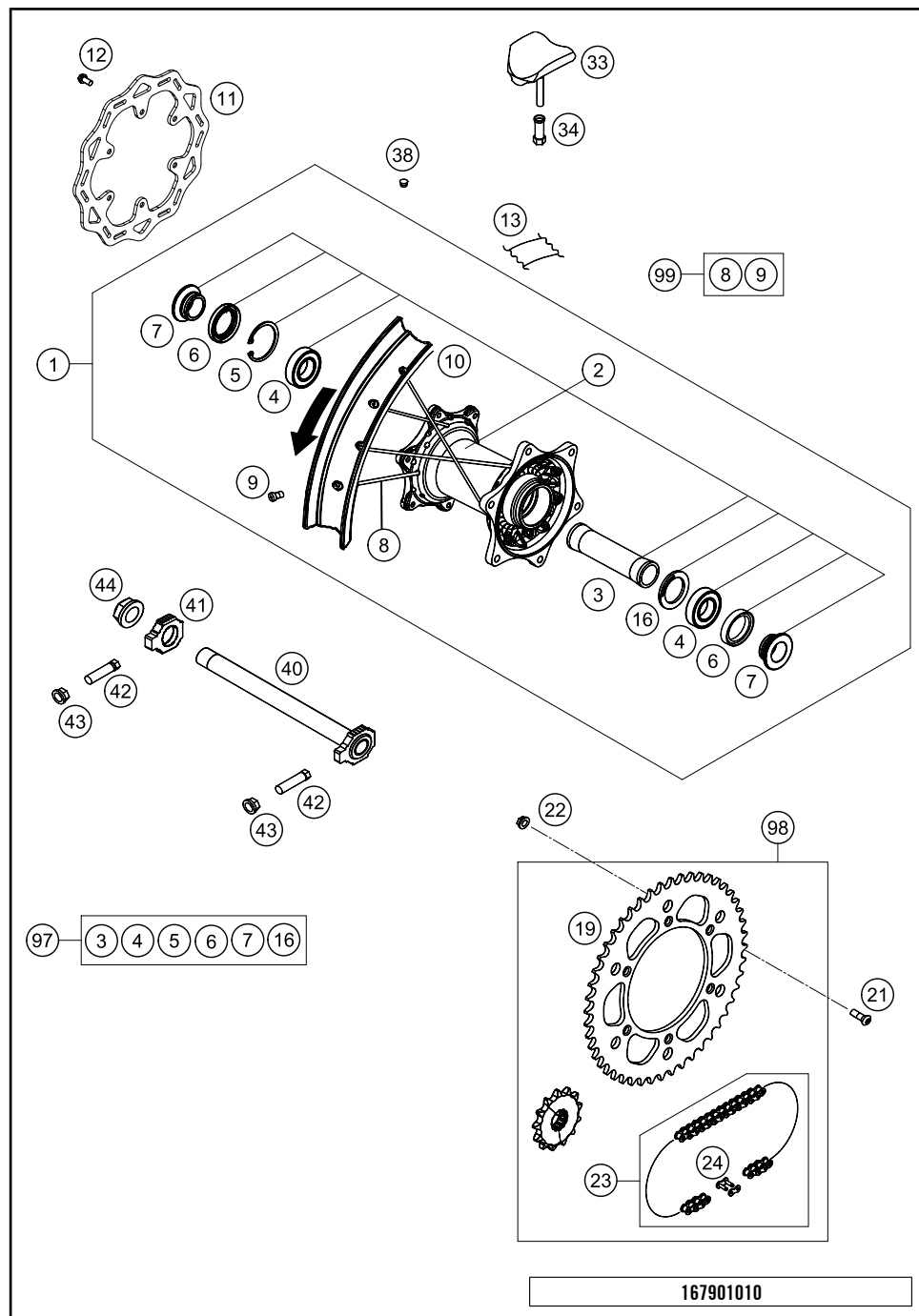
197910910

52324

* NEW PART X ON DEMAND

REAR WHEEL

350 SX-F 2020 2020

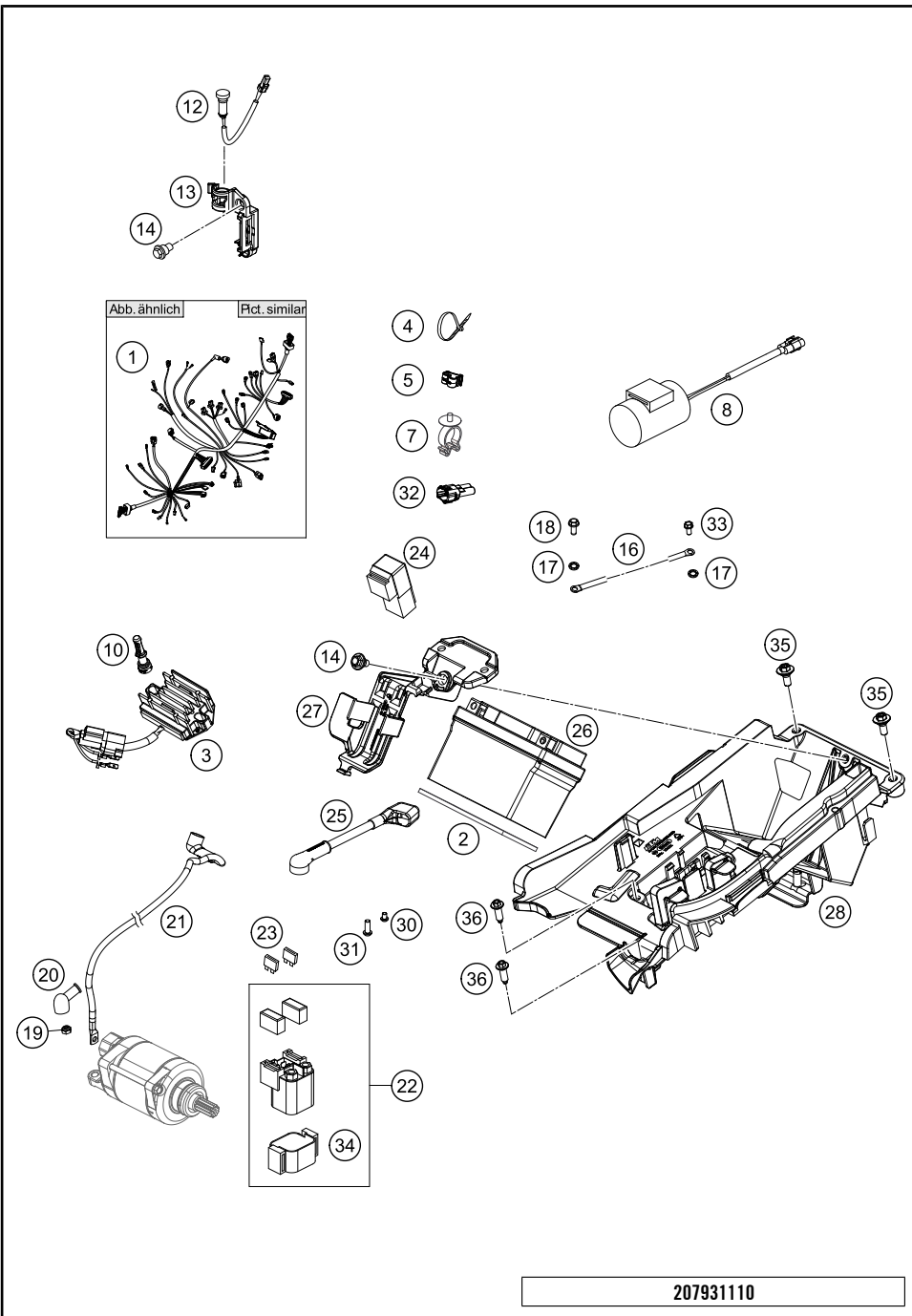


POS	PARTNUMBER	PARTNAME	PIECE
1	7901000134430	REAR WHEEL Cmpl. 2.15X19"EXCEL	1
2	78010010244	REAR WHEEL HUB CPL. 2013	1
3	77710011000	BEARING DISTANCE TUBE 121,5MM	1
4	0625060058	GR.BALL BEAR.6005 DDU2CG23S6NM	2
5	0472047175	CIRCLIP DIN0472-47X1,75	1
6	0760324771	SHAFT SEAL RING 32X47X7 BSL	2
7	77710016000	DISTANCE BUSHING REAR WHEEL	2
8	7901007120530	SPOKE M4,5X205-19" BLACK 16	36
9	79109072000	Spoke nipple M4.5	36
10	7911007000030	Rear rim 19x2.15	1
11	79010060000	BRAKE DISC REAR 220MM 16	1
12	59009062013	SPECIAL SCREW M6X13 WS=8 10.9	6
13	50310073200	RIM BAND 18" AND 19"	1
16	77710015000	DISTANCE RING	1
19	7771015104801	REAR SPROCKET 48-T	x
19	7771015105001	REAR SPROCKET 50-T	x
19	7771015105101	SPROCKET 51-Z NATURE	1
19	7771015105201	REAR SPROCKET 52-T	x
21	0019080266S	COUNTER-SUNK SCREW ISA45 M8X26	6
22	06923080003	hex nut EN 1661 M8 WS13	6
23	50310165118	CHAIN 5/8X1/4" MX	1
24	50310166000	CONNECTING LINK F. 50310165118	1
33	78110090000	RIM LOCK 2,15"	1
34	77110090050	NUT FOR WHEEL HOLDER	1
38	55003135000	PLUG FOR RIM	x
40	77710085044	WHEEL SPINDLE CPL. '13	1
41	77710084000	CHAIN TENSIONER R/S	1
42	50304040100	screw M10x1.25x50 WS10	2
43	58414030000	HH COLLAR NUT M10X1,25 WS=13	2
44	61010086000	COLLAR NUT M25X1,5 WS=32 05	1
97	77710015010	REAR WHEEL REP. KIT	x
98	00050002080	DRIVETRAIN KIT SX 14Z/51Z	x
99	00050000975	SPOKE KIT REAR '19' BLACK	x

167901010

52327

* NEW PART X ON DEMAND

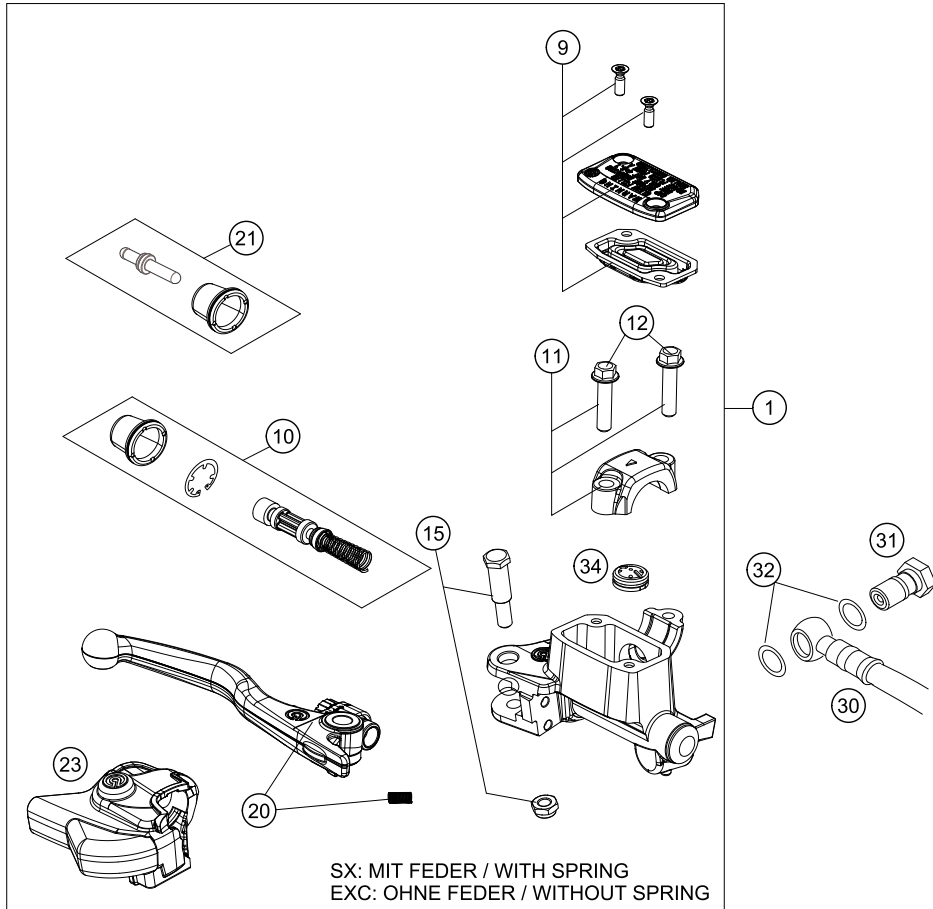


POS	PARTNUMBER	PARTNAME	PIECE
1	79111075000	wiring harness EFI SXF	1
2	59003001099	METAMOLL 90X45X3MM 03	1
3	77211034000	VOLTAGE REGULATOR 09	1
4	44011076140	CABLE TIE 140/2,5MM BLACK	x
4	44011076200	CABLE TIE 200/3,6MM BLACK	x
4	44011076305	CABLE TIE 300/4,8MM BLACK	x
5	83013026000	CABLE GUIDE	2
7	61111041000	CABLE SUPPORT 07	1
8	77711035000	CONDENSATOR	1
10	55641030000	Holder control unit	2
12	81214083000	INDICATOR LIGHT LED YELLOW FI	1
13	77214098000	HOLDER INDICATOR LIGHT SX	1
14	59001092050	SPECIAL SCREW M6X12,5 WS=8	1
16	58411097100	GROUND CABLE D=6MM L=140MM '97	1
17	58411098100	CONTACT WASHER M6 VSV-K6	3
18	0009050106	EJOT SPIRAL SCREW SF M5X10-K	1
19	0985060003	SELF LOCK. NUT DIN0985-M 6	1
20	77240099000	PROTECTION CAP F. STARTER ENG.	1
21	25111059000	Starterkabel	1
22	58211058000	STARTER RELAY 12V '99	1
23	58011109110	FUSE 10 A 2000	2
24	61111057000	RELAY CM1A-R-12V-H80 07	1
25	25111059050	Batteriekabel	1
26	79111053000	battery 12V/24Wh	1
27	79111056000	battery support	1
28	79111055000	Battery box	1
30	0902060083	AH OVAL SCREW ISO 7380 M 6X8	1
31	0738060167	Oval head screw AH socket M6x16 A2-70	1
32	000700000AL001	Endconnector Can-Bus 2017	1
33	0025050126	HH collar screw M5x12 TX30	2
34	58211058050	BRACKET RUBBER F.STARTRELAY 07	1
35	83008000015	SPECIAL SCREW M6X15X3	2
36	0017060206	SCREW F. PLASTIC K60X20AL SW6	2

207931110

52328

* NEW PART X ON DEMAND



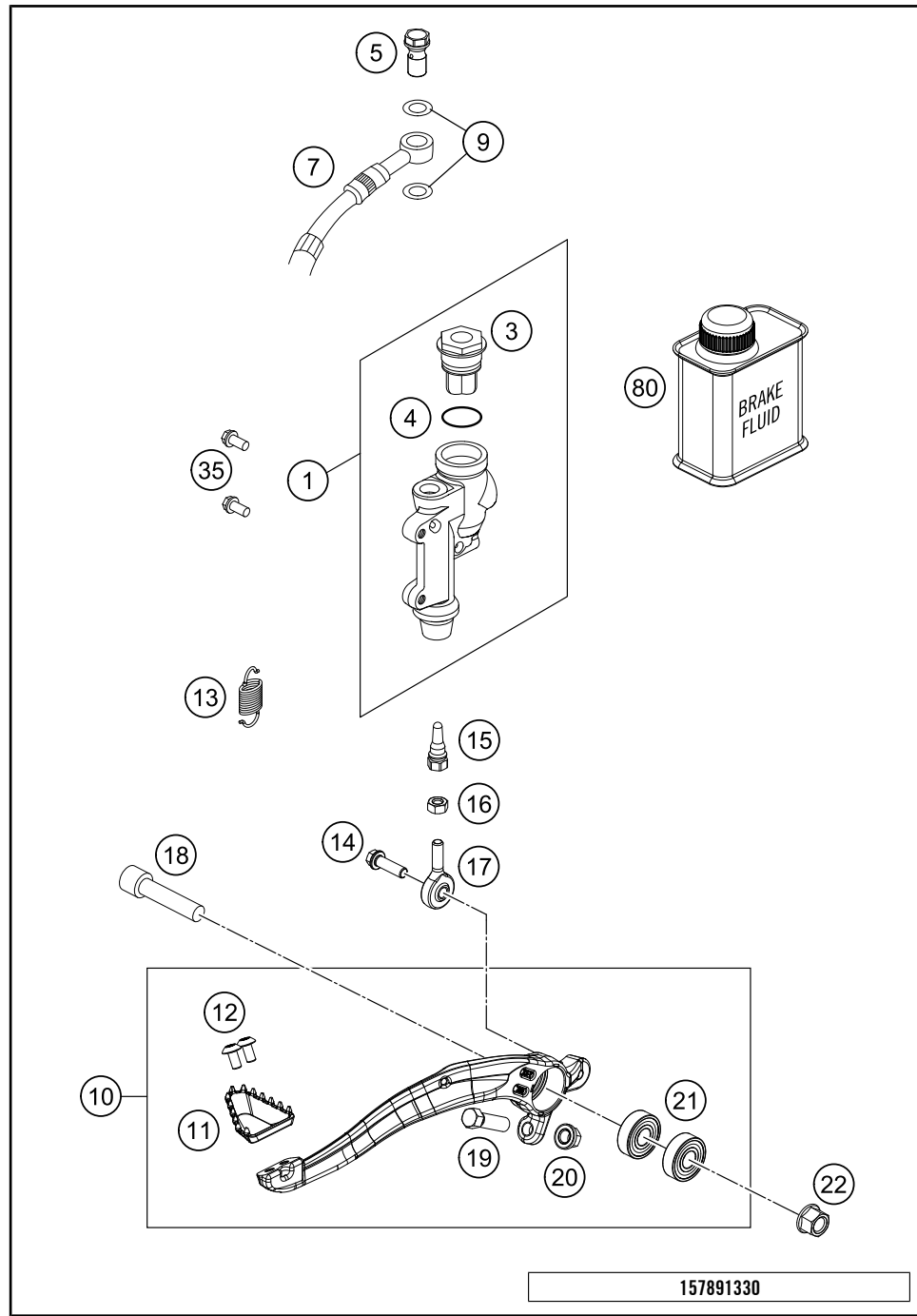
POS	PARTNUMBER	PARTNAME	PIECE
1	77713001044	HAND BRAKE CYLIND. CPL. SX 2014	1
9	77713003000	HAND BRAKE CYL. COVER	1
10	77713008000	REPAIR KIT PISTON SX 2014	1
11	54802005100	CLAMP CPL. 06	1
12	0025060256	HH collar screw M6x25 TX30	2
15	77713006000	LEVER SCREW	1
20	77713002000	HAND BRAKE LEVER +SPRING SX 14 SX WITH SPRING, EXC WITHOUT SP	1
21	77713007000	PUSH ROD CPL. SX 2014	1
23	77713004000	PROTECTION CAP HAND BRAKE CYL.	1
30	59013010000	BRAKEHO. FRONT 1235MM 2000	1
31	54813020100	banjo bolt M10x1x19 black	1
32	0603100141	sealing ring DIN 7603 10x14x1	2
34	54802051000	VALVE	1
80	00062030000	BRAKE FLUID DOT5.1 0,25L	1

147781310

15055

* NEW PART

X ON DEMAND



POS	PARTNUMBER	PARTNAME	PIECE
1	77013060044	REAR BRAKE CYLINDER CPL.SX 09	1
3	54813062100	REAR BRAKE CYL. COVER CPL. 04	1
4	54813063000	FOOT-BRAKE CYL. GASKET SX 03	1
5	54813020200	BANJO SCREW 08	1
7	77213070300	Rear Brakehose	1
9	0603100141	sealing ring DIN 7603 10x14x1	2
10	79413050044	FOOT BRAKE LEVER CPL.	1
11	79413051000	STEP BRAKE LEVER 16	1
12	78105081010	SCREW TORX M5X10	2
13	79003062000	RETURN SPRING F. BRAKE LEVER	1
14	0025060206S	HH collar screw M6x20 TX30	1
15	54813056000	PUSH ROD L=28MM 03	1
16	0934060003	hex nut DIN 934 M6	1
17	54813055000	SWIVEL HEAD KA6 03	1
18	0032100356S	AH-COLLAR SCREW M10X35 ISA45	1
19	59001037000	SPECIAL SCREW M8X26 WS=10	1
20	46030045000	flanged nut M8 WS10	1
21	0625060002	deep groove ball bearing SKF 6000-2RS1	2
22	54630044000	COLLAR NUT M10 WS=13	1
35	0025060126	HH collar screw M6x12 TX30	2
80	00062030000	BRAKE FLUID DOT5.1 0,25L	1

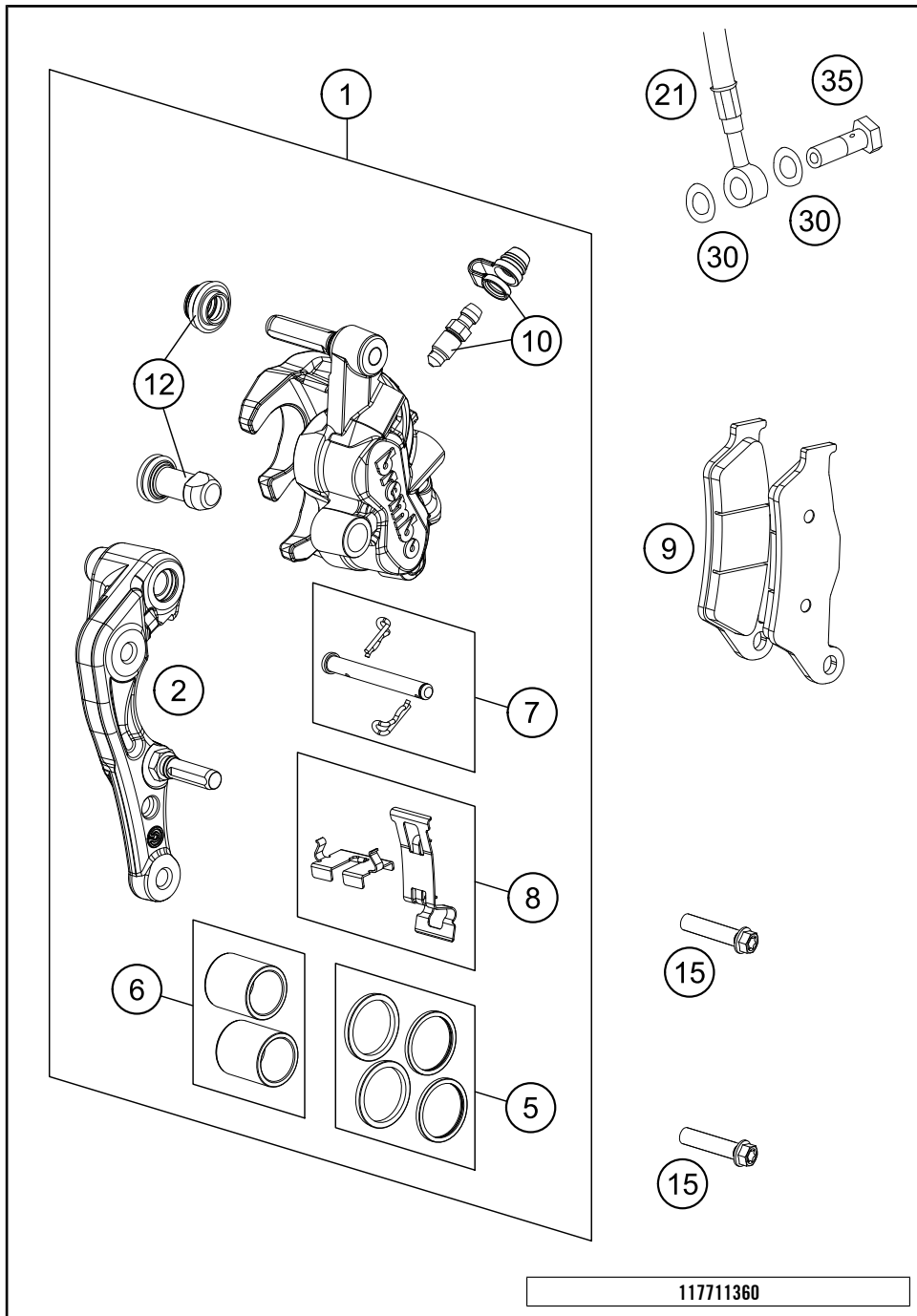
157891330

52330

* NEW PART X ON DEMAND

FRONT BRAKE CALIPER

350 SX-F 2020 2020



POS	PARTNUMBER	PARTNAME	PIECE
1	7701301500101	CALIPER NAT. WITHOUT PADS	1
2	77013014000	BRAKE CALIPER SUPPORT FRONT 09	1
5	77013021000	REP. KIT SEALS 24MM	1
6	77013019000	REP. KIT PISTON 24MM	1
7	77013017000	BOLT CPL. 09	1
8	77013018000	RETAINING PLATE SET BREMBO	1
9	77713030000	BRAKE PADS FRONT	1
10	61013020100	BLEEDER SCREW WITH CAP	1
12	54613218000	CUP SET SHORT	1
15	0025080306S	HH COLLAR SCREW M8X30 TX40	2
21	59013010000	BRAKEHO. FRONT 1235MM 2000	1
30	0603100141	sealing ring DIN 7603 10x14x1	2
35	50213025000	HOLLOW SCREW M10X1X19	1

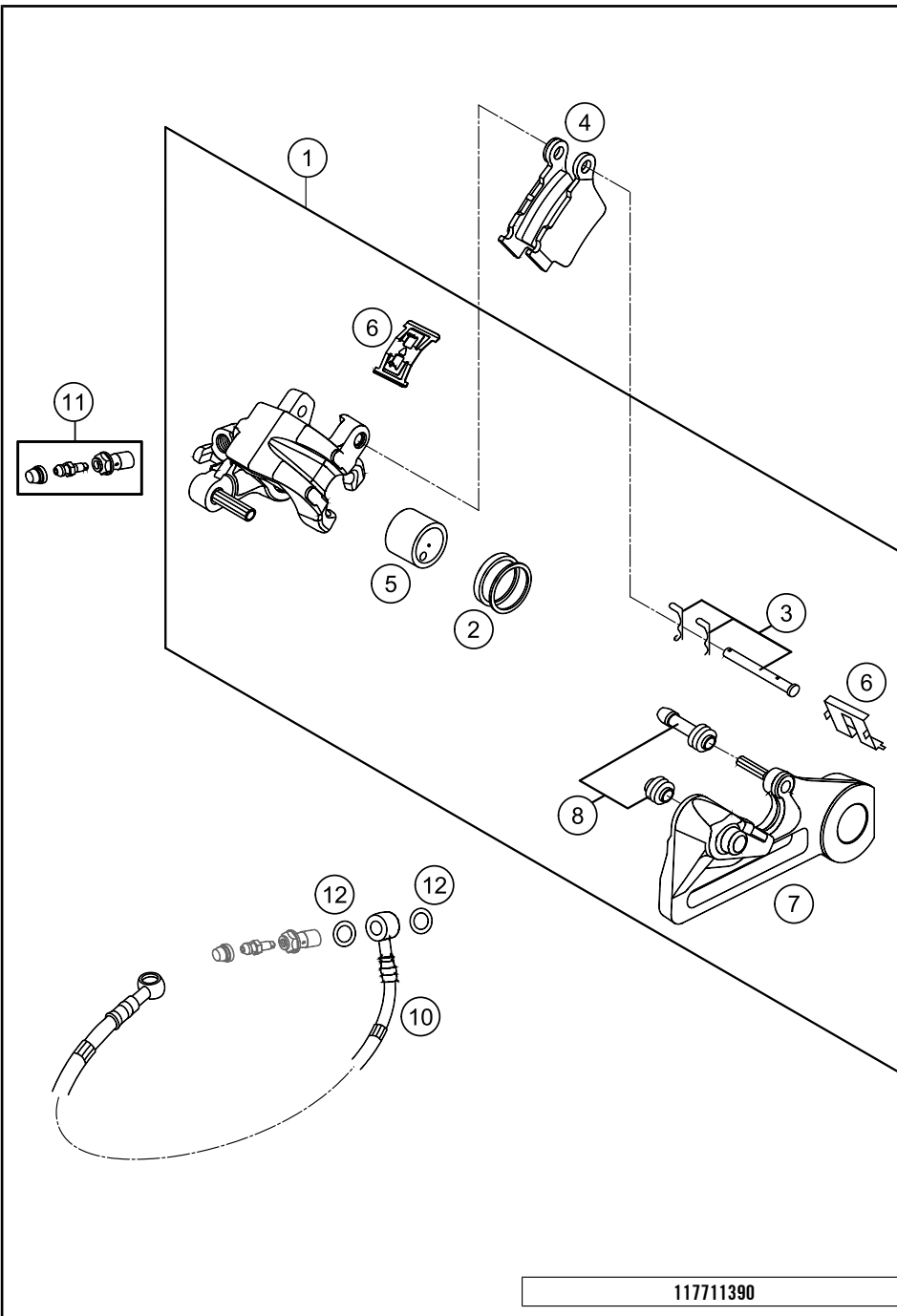
117711360

10680

* NEW PART X ON DEMAND

REAR BRAKE CALIPER

350 SX-F 2020 2020



POS	PARTNUMBER	PARTNAME	PIECE
1	77713080001	BRAKE CAL. REAR - WITHOUT PADS	1
2	50313081200	REPAIR KIT SEALING RINGS 26MM	1
3	54813082000	BOLT SET FOR BRAKE CALIPER 03	1
4	54813090300	BRAKE PAD SET REAR TOYO	x
4	79013090000	BRAKE PAD REAR TOYO B204	1
5	77713083000	BRAKE PISTON 26MM 2013	1
6	54813018000	RETAINING SPRING SET 2003	1
7	77713075000	BRAKE CALIPER BRACKET REAR	1
8	54613218000	CUP SET SHORT	1
10	77213070300	Rear Brakehose	1
11	62513020000	BLEEDER SCREW CPL. 05	1
12	0603100141	sealing ring DIN 7603 10x14x1	2

117711390

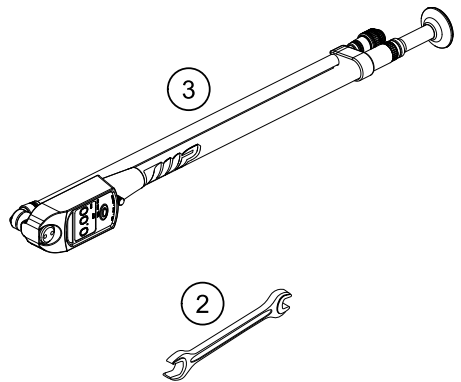
52331

* NEW PART

X ON DEMAND

0
OHNE ABBILDUNG
WITHOUT ILLUSTRATION

1
TECHNISCHE DOKUMENTATION
TECHNICAL DOCUMENTATION
DOCUMENTACION TECNICA
DOCUMENTATION TECHNIQUE
NOTE TECNICHE

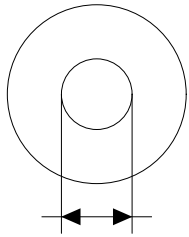


175042000

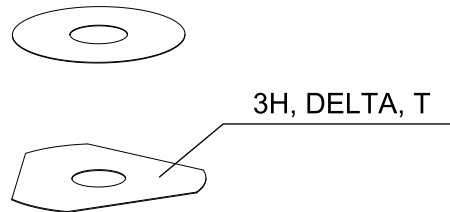
POS	PARTNUMBER	PARTNAME	PIECE
0	312313	KTM BALLPOINT PEN ORANGE	1
0	3210917	NOTEPAD	1
0	312305	DOCUMENTS BAG 2006	1
0	79003040033	FOOT PEGS SET CPL. 2016	1
0	81212016100	WASH CAP SET	1
0	79002014100	SETTING 4-T 39,5 MM 16	1
0	7910309400030	Frame protection set	1
0	79102002044	Handlebar pad compl.	1
0	0025050126	HH collar screw M5x12 TX30	2
0	58411098100	CONTACT WASHER M6 VSV-K6	2
0	78141013190	FUEL FILTER	3
0	20180189INT	Sticker accessory kit	1
0	52000145	Sticker set air fork 2017 182,5x238	1
0	00063004202	PRINT LABEL 60X51 MM	1
0	77229072000	SPARK PLUG WRENCH	1
0	79008010000EB	FRONT FENDER ORANGE 15	1
0	0025060166	HH collar screw M6x16 TX30	4
0	00063004012	HEADLIGHT MASK BOX	1
0	79029094000	Stand / fork support	1
1	3214004EN	Owner's manual	1
2	50329072000	SPOKE-SPANNER WS 7/10	1
3	79412966100	Fork pump	1

52662

* NEW PART X ON DEMAND



- ⑤ Ø 5 mm
- ⑥ Ø 6 mm
- ⑧ Ø 8 mm
- ⑩ Ø 10 mm
- ⑫ Ø 12 mm
- ⑭ Ø 14-14,5 mm
- ⑯ Ø 16 mm
- ⑳ Ø 20 mm
- ㉑ Ø 21 mm
- ㉒ Ø 22 mm
- ㉓ Ø 23 mm
- ㉔ Ø 24,5 mm
- ㉘ Ø 28,5 mm
- ㉚ Ø 32 mm
- ㉜ Ø 52 mm



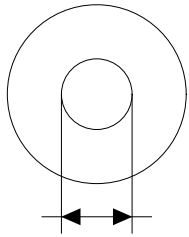
POS	PARTNUMBER	PARTNAME	PIECE
5	44906890	WASHER 5X15X2	X
6	40540400	Shim 6x12x0,10	X
6	40540401	Shim 6x14x0,10	X
6	40540402	Shim 6x16x0,10	X
6	40540403	Shim 6x18x0,10	X
6	40540404	Shim 6x12x0,15	X
6	40540405	Shim 6x14x0,15	X
6	40540406	Shim 6x16x0,15	X
6	40540407	SHIM 6X18X0,15	X
6	40540408	Shim 6x12x0,20	X
6	40540409	Shim 6x14x0,20	X
6	40540410	Shim 6x16x0,20	X
6	40540411	Shim 6x18x0,20	X
6	48600095	SHIM 6X20X0,20	X
6	40540412	Shim 6x12x0,25	X
6	40540413	Shim 6x14x0,25	X
6	40540414	Shim 6x16x0,25	X
6	40540415	Shim 6x18x0,25	X
6	40540417	SHIM 6X8,5X0,10	X
6	40540418	SHIM 6X9X0,10	X
6	40540419	SHIM 6X9,5X0,10	X
6	40540423	SHIM 6X9,5X0,15	X
6	40540425	SHIM 6X8,5X0,20	X
6	40540426	SHIM 6X9X0,20	X
6	40540427	SHIM 6X9,5X0,20	X
6	40540447	Shim 6x10x0,30	X
6	40540449	Shim 6x9x0,30	X
6	40540450	Shim 6x9,5x0,30	X
6	40540494	Shim 6x18x0,40	X
6	40540774	Shim 6x18x0,10	X
6	40541383	Shim 6X11X0,10	X
6	40541391	Shim 6x11x0,30	X
6	40541402	Shim 6x11x0,20	X
6	40541403	SHIM 6X10X0,20	X
6	40541404	Shim 6x10x0,10	X
6	40541405	Shim 6x10x0,15	X
6	40541406	SHIM 6X11X0,15	X
6	40541408	SHIM 6X8,0X0,30	X

080000190

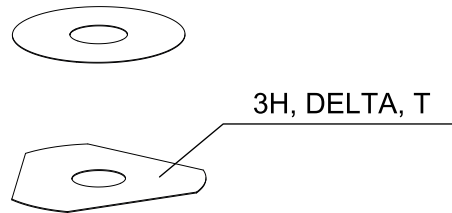
4668

* NEW PART

X ON DEMAND



- ⑤ Ø 5 mm
- ⑥ Ø 6 mm
- ⑧ Ø 8 mm
- ⑩ Ø 10 mm
- ⑫ Ø 12 mm
- ⑭ Ø 14-14,5 mm
- ⑯ Ø 16 mm
- ⑰ Ø 20 mm
- ⑱ Ø 21 mm
- ⑳ Ø 22 mm
- ㉑ Ø 23 mm
- ㉒ Ø 24,5 mm
- ㉔ Ø 28,5 mm
- ㉖ Ø 32 mm
- ㉘ Ø 52 mm



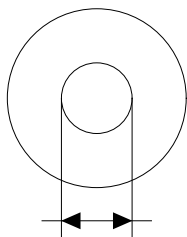
POS	PARTNUMBER	PARTNAME	PIECE
6	40541414	Shim 6x8x0,1	X
6	40541416	SHIM 6X8X0,3	X
6	40541417	SHIM 6X11X0,25	X
6	48600102	SHIM 6X24X0,25	X
6	48600063	Shim 6x24x0,10	X
6	48600064	Shim 6x22x0,10	X
6	48600065	Shim 6x20x0,10	X
6	48600069	Shim 6x20x0,15	X
6	48600100	Shim 6x24x0,15	X
6	48600116	Shim 6x24x0,10 delta	X
6	48600139	Shim 6x22x0,1 delta	X
6	48600217	Shim 6x10x0,25	X
6	48600325	Shim 6x13x0,10	X
6	48600327	SHIM 6X15X0,1	X
6	48600329	Shim 6x17x0,10	X
6	48600331	Shim 6x19x0,10	X
6	48600096	Shim 6x20x0,25	X
6	48600097	Shim 6x22x0,15	X
6	48600099	Shim 6x22x0,25	X
6	40540448	Shim 6x8,5x0,30	X
6	48600479	Shim 6x20x0,10 DELTA	X
6	48600332	SHIM 6X21X0,1	X
6	48600333	SHIM 6X23X0,1	X
6	40541393	Shim 6x12x0,30	X
6	48600330	SHIM 6X17X0,15	X
6	48600988	Shim 6x28x0,10	X
6	48600989	Shim 6x26x0,10	X
6	48601091	Shim 6x28x0,15	X
6	48601093	Shim 6x26x0,15	X
6	48600328	Shim 6x15x0,15	X
6	48600326	Shim 6x13x0,15	X
6	48601548	Shim 6x17x1,5	X
6	48601693	Washer 6x18x3	X
6	48600098	Shim 6x22x0,20	X
6	48601300	Washer 6x25x1,5	X
6	48601692	Shim 6x30x0,15	X
6	48601550	Shim 6x30x0,10	X
6	40541392	Shim 6x8x0,2	X

080000190

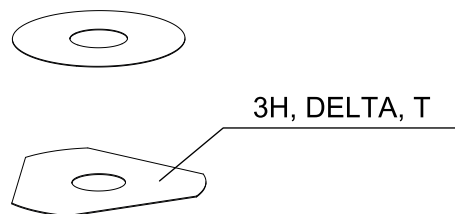
4668

* NEW PART

X ON DEMAND



- ⑤ Ø 5 mm
- ⑥ Ø 6 mm
- ⑧ Ø 8 mm
- ⑩ Ø 10 mm
- ⑫ Ø 12 mm
- ⑭ Ø 14-14,5 mm
- ⑯ Ø 16 mm
- ⑳ Ø 20 mm
- ㉑ Ø 21 mm
- ㉒ Ø 22 mm
- ㉓ Ø 23 mm
- ㉔ Ø 24,5 mm
- ㉘ Ø 28,5 mm
- ㉚ Ø 32 mm
- ㉜ Ø 52 mm



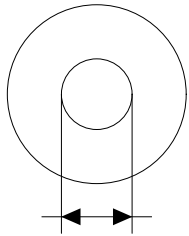
POS	PARTNUMBER	PARTNAME	PIECE
6	50180009	DISTANCER PLATE 16X23X0,10	X
6	48601917	Washer 6x18x4	X
6	48601916	Washer 6x18x4	X
6	40540399	Shim 6x16x0,30	X
6	48601584	Shim 6x30x0,4 spring shim	X
6	48601459	Washer check valve 6x31x0,4	X
6	48601849	Check valve plate 2,5mm hub	X
6	48600101	SHIM 6X24X0,20	X
6	48601094	Shim 6x26x0,20	X
6	40540422	Shim 6X9X0,15	X
6	48601841	Washer check valve 6x31x0,4	X
6	48601850	Shim 6x30x0,4 spring shim	X
8	40540477	Shim 8x18x0,40	X
8	43570120	Shim 8x18x0,10	X
8	44916098	WASHER 8,4X16X0,8	X
8	44916130	WASHER 8,2X15X1	X
8	44916180	WASHER 8,2X11X1	X
8	48600214	Shim 8x16x0,10	X
8	48600385	SHIM 8x14x0,25	X
8	48600346	Shim 8x11x0,20	X
8	48600215	Shim 8x20x0,10	X
8	48600485	SHIM 8X10X0,10	X
8	48601402	SHIM 8X13X0,10	X
8	48600350	Shim 8x16x0,15	X
8	48600061	Shim 8x24x0,40	X
8	48600062	CHECK VALVE 8X24X0,1	X
8	48600216	Shim 8x22x0,10	X
8	48600480	Shim 8x10x0,20	X
8	48600555	SHIM 8X16X0,20	X
8	48600213	SHIM 8X14X0,10	X
8	48600357	Shim 8x11x0,10	X
8	48600351	Shim 8x12x0,10	X
8	48600607	Shim 8x20x0,40	X
8	48601095	Shim 8x17x0,10	X
8	48600352	CHECK VALVE 8X11X0,4	X
8	48601860	Washer 8x11x0,15	X
8	48601266	Shim 8x26x0,40	X
8	46180640	Shim 8x16x0,3	X

080000190

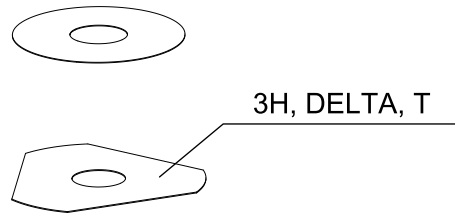
4668

* NEW PART

X ON DEMAND



- ⑤ Ø 5 mm
- ⑥ Ø 6 mm
- ⑧ Ø 8 mm
- ⑩ Ø 10 mm
- ⑫ Ø 12 mm
- ⑭ Ø 14-14,5 mm
- ⑯ Ø 16 mm
- ⑳ Ø 20 mm
- ㉑ Ø 21 mm
- ㉒ Ø 22 mm
- ㉓ Ø 23 mm
- ㉔ Ø 24,5 mm
- ㉘ Ø 28,5 mm
- ㉚ Ø 32 mm
- ㉜ Ø 52 mm



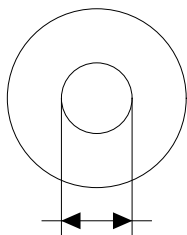
POS	PARTNUMBER	PARTNAME	PIECE
8	43578166	Washer 8x20x1	X
10	36120284	SHIM 10X16X0,10	X
10	36120298	SHIM 10X16X0,2	X
10	36120312	SHIM 10X16X0,30	X
10	36120314	SHIM 10X18X0,30	X
10	36120325	SHIM 10X19X0,15	X
10	36120327	SHIM 10X23X0,15	X
10	36120328	SHIM 10X25X0,15	X
10	36120329	SHIM 10X27X0,15	X
10	36120330	SHIM 10X29X0,15	X
10	36120331	SHIM 10X31X0,15	X
10	36120332	SHIM 10X33X0,15	X
10	36120334	SHIM 10X21X0,20	X
10	36120335	SHIM 10X23X0,20	X
10	36120336	SHIM 10X25X0,20	X
10	36120337	SHIM 10X27X0,20	X
10	36120338	SHIM 10X29X0,20	X
10	36120339	SHIM 10X31X0,20	X
10	36120340	SHIM 10X33X0,20	X
10	36120342	SHIM 10X21X0,25	X
10	36120343	SHIM 10X23X0,25	X
10	36120344	SHIM 10X25X0,25	X
10	36120345	SHIM 10X27X0,25	X
10	36120349	SHIM 10X19X0,30	X
10	36120350	SHIM 10X21X0,30	X
10	36120313	SHIM 10X17X0,30	X
10	36120354	SHIM 10X29X0,30	X
10	40140275	WASHER 10X35X0,15	X
10	48601708	Shim 10x30x0,40	X
10	36120346	SHIM 10X29X0,25	X
10	36120355	SHIM 10X31X0,30	X
10	36120348	SHIM 10X33X0,25	X
10	36120311	SHIM 10X15X0,30	X
10	36120292	SHIM 10X17X0,15	X
10	36120326	SHIM 10X21X0,15	X
10	36120286	SHIM 10X18X0,10	X
10	36120347	SHIM 10X31X0,25	X
10	36120333	SHIM 10X19X0,20	X

080000190

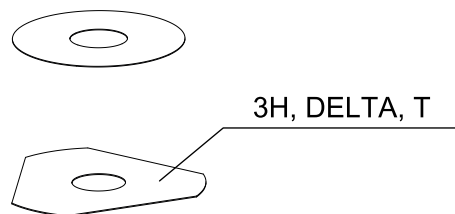
4668

* NEW PART

X ON DEMAND



- ⑤ Ø 5 mm
- ⑥ Ø 6 mm
- ⑧ Ø 8 mm
- ⑩ Ø 10 mm
- ⑫ Ø 12 mm
- ⑭ Ø 14-14,5 mm
- ⑯ Ø 16 mm
- ⑳ Ø 20 mm
- ㉑ Ø 21 mm
- ㉒ Ø 22 mm
- ㉓ Ø 23 mm
- ㉔ Ø 24,5 mm
- ㉘ Ø 28,5 mm
- ㉚ Ø 32 mm
- ㉜ Ø 52 mm



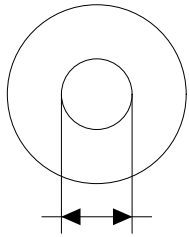
POS	PARTNUMBER	PARTNAME	PIECE
10	36120604	Washer 10x22x2,5	X
12	46810490	SHIM 12X24X0,20	X
12	46810491	Shim 12x26x0,20	X
12	46810492	Shim 12x28x0,20	X
12	46810493	SHIM 12X30X0,20	X
12	46810494	Shim 12x32x0,20	X
12	46810495	Shim 12x34x0,20	X
12	46810496	SHIM 12X36X0,20	X
12	46810497	SHIM 12X38X0,20	X
12	46810498	Shim 12x40x0,20	X
12	46810499	Shim 12x24x0,25	X
12	46810500	SHIM 12X26X0,25	X
12	46810501	SHIM 12X28X0,25	X
12	46810502	Shim 12x30x0,25	X
12	46810504	SHIM 12X34X0,25	X
12	46810505	SHIM 12X36X0,25	X
12	46810507	Shim 12x40x0,25	X
12	46810508	SHIM 12X24X0,30	X
12	46810509	SHIM 12X26X0,30	X
12	46810510	SHIM 12X28X0,30	X
12	46810512	SHIM 12X32X0,30	X
12	46810513	SHIM 12X34X0,30	X
12	46810518	SHIM 12X26X0,15	X
12	46810519	SHIM 12X28X0,15	X
12	46810520	SHIM 12X30X0,15	X
12	46810521	SHIM 12X32X0,15	X
12	46810522	SHIM 12X34X0,15	X
12	46810523	SHIM 12X36X0,15	X
12	46810524	SHIM 12X38X0,15	X
12	46810525	SHIM 12X40X0,15	X
12	46810604	SHIM 12X20X0,10	X
12	46810606	SHIM 12X22X0,10	X
12	46810607	SHIM 12X23X0,10	X
12	46810608	SHIM 12X24X0,10	X
12	46810610	Shim 12x17x0,15	X
12	46810611	SHIM 12X18X0,15	X
12	46810612	SHIM 12X19X0,15	X
12	46810615	SHIM 12X22X0,15	X

080000190

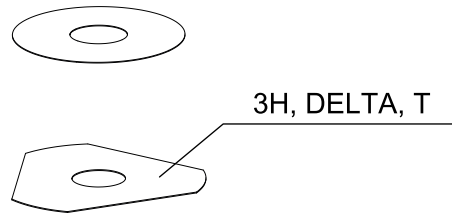
4668

* NEW PART

X ON DEMAND



- ⑤ Ø 5 mm
- ⑥ Ø 6 mm
- ⑧ Ø 8 mm
- ⑩ Ø 10 mm
- ⑫ Ø 12 mm
- ⑭ Ø 14-14,5 mm
- ⑯ Ø 16 mm
- ⑳ Ø 20 mm
- ㉑ Ø 21 mm
- ㉒ Ø 22 mm
- ㉓ Ø 23 mm
- ㉔ Ø 24,5 mm
- ㉘ Ø 28,5 mm
- ㉚ Ø 32 mm
- ㉜ Ø 52 mm



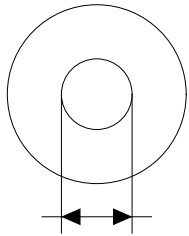
POS	PARTNUMBER	PARTNAME	PIECE
12	46810636	BACKPLATE 12X16X0,30	X
12	46810637	Shim 12x17x0,30	X
12	46810638	Shim 12x18x0,30	X
12	46810639	SHIM 12X19X0,30	X
12	46810641	Shim 12X21X0,30	X
12	46811582	Shim 12x30x0,10	X
12	46810631	SHIM 12X20X0,25	X
12	46810633	SHIM 12X22X0,25	X
12	46811580	Shim 12x32x0,10	X
12	46810503	SHIM 12X32X0,25	X
12	46810517	SHIM 12X24X0,15	X
12	46810856	Shim 12x20x0,30	X
12	46811258	Washer 12x24x2,5	X
12	46812018	Shim 12x42x0,25	X
12	46812015	Shim 12x44x0,20	X
12	46810613	SHIM 12X20X0,15	X
12	46810623	SHIM 12X21X0,20	X
12	46810624	SHIM 12X22X0,20	X
12	46810642	SHIM 12X22X0,30	X
12	46810643	SHIM 12X23X0,30	X
12	46811629	Shim 12x28x0,10	X
12	46810511	SHIM 12X30X0,30	X
12	46810514	SHIM 12X36X0,30	X
12	46810506	SHIM 12X38X0,25	X
12	46810515	SHIM 12X38X0,30	X
12	46812017	Shim 12x42x0,20	X
12	46812016	Shim 12x44x0,25	X
12	46810622	SHIM 12X20X0,20	X
12	46811635	Shim 12x26x0,10	X
12	50181296	Shim 12x45x0,20	X
12	46810620	Shim 12x18x0,2	X
12	46810616	Shim 12x32x0,15	X
14	35480479	Shim 14x26x0,40	X
14	46811046	Washer 14,5x35,4x1,25	X
16	50180023	SHIM 16X23X0,20	X
16	50180030	Shim 16x23x0,25	X
16	50180006	Shim 16x20x0,10	X
16	50180007	SHIM 16X21X0,10	X

080000190

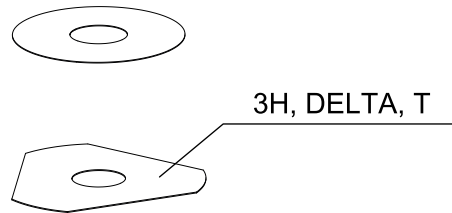
4668

* NEW PART

X ON DEMAND



- ⑤ Ø 5 mm
- ⑥ Ø 6 mm
- ⑧ Ø 8 mm
- ⑩ Ø 10 mm
- ⑫ Ø 12 mm
- ⑭ Ø 14-14,5 mm
- ⑯ Ø 16 mm
- ⑳ Ø 20 mm
- ㉑ Ø 21 mm
- ㉒ Ø 22 mm
- ㉓ Ø 23 mm
- ㉔ Ø 24,5 mm
- ㉘ Ø 28,5 mm
- ㉚ Ø 32 mm
- ㉜ Ø 52 mm



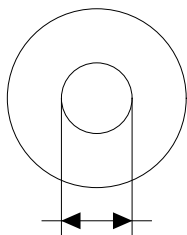
POS	PARTNUMBER	PARTNAME	PIECE
16	50180028	SHIM 16X21X0,25	X
16	50180210	Washer 16x21x1	X
16	50180008	SHIM 16X22X0,10	X
16	50180022	Shim 16x22x0,20	X
16	50180037	SHIM 16X23X0,30	X
16	50180038	SHIM 16X24X0,30	X
16	50180032	Shim 16x25x0,25	X
16	50180039	SHIM 16X25X0,30	X
16	50180012	SHIM 16X26X0,10	X
16	50180019	SHIM 16X26X0,15	X
16	50180026	SHIM 16X26X0,20	X
16	50180040	SHIM 16X26X0,30	X
16	50180041	SHIM 16X28X0,10	X
16	50180045	Shim 16x28x0,15	X
16	50180054	Shim 16x28x0,2	X
16	50180063	SHIM 16X28X0,25	X
16	50180072	SHIM 16X28X0,30	X
16	50180046	SHIM 16X30X0,15	X
16	50180055	SHIM 16X30X0,20	X
16	50180064	Shim 16x30x0,25	X
16	50180073	SHIM 16X30X0,30	X
16	50180047	Shim 16X32X0,15	X
16	50180056	Shim 16x32x0,2	X
16	50180065	SHIM 16X32X0,25	X
16	50180074	SHIM 16X32X0,30	X
16	50180044	SHIM 16X34X0,10	X
16	50180048	SHIM 16X34X0,15	X
16	50180057	Shim 16x34x0,2 y5	X
16	50180066	SHIM 16X34X0,25	X
16	50180075	SHIM 16X34X0,30	X
16	50180049	Shim 16x36x0,15	X
16	50180058	Shim 16x36x0,20	X
16	50180067	SHIM 16X36X0,25	X
16	50180076	SHIM 16X36X0,30	X
16	50180050	SHIM 16X38X0,15	X
16	50180059	SHIM 16X38X0,20	X
16	50180068	SHIM 16X38X0,25	X
16	50180077	SHIM 16X38X0,30	X

080000190

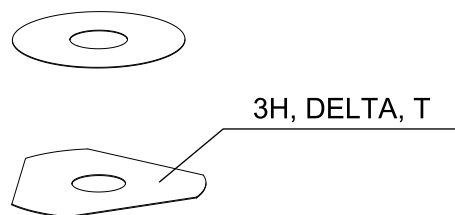
4668

* NEW PART

X ON DEMAND



- ⑤ Ø 5 mm
- ⑥ Ø 6 mm
- ⑧ Ø 8 mm
- ⑩ Ø 10 mm
- ⑫ Ø 12 mm
- ⑭ Ø 14-14,5 mm
- ⑯ Ø 16 mm
- ⑳ Ø 20 mm
- ㉑ Ø 21 mm
- ㉒ Ø 22 mm
- ㉓ Ø 23 mm
- ㉔ Ø 24,5 mm
- ㉘ Ø 28,5 mm
- ㉚ Ø 32 mm
- ㉜ Ø 52 mm



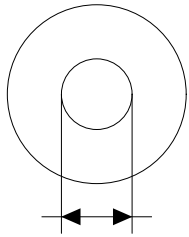
POS	PARTNUMBER	PARTNAME	PIECE
16	50180051	Shim 16x40x0,15	X
16	50180060	Shim 16x40x0,2	X
16	50180069	SHIM 16X40X0,25	X
16	50180078	SHIM 16X40X0,30	X
16	50180052	SHIM 16X42X0,15	X
16	50180061	Shim 16x52x0,2	X
16	50180070	SHIM 16X42X0,25	X
16	50180079	SHIM 16X42X0,30	X
16	50180053	SHIM 16X44X0,15	X
16	50180062	Shim 16X44X0,20	X
16	50180071	SHIM 16X44X0,25	X
16	50180080	SHIM 16X44X0,30	X
16	50180177	Springwasher 8,2x16x0,6	X
16	50180033	Shim 16x26x0,25	X
16	50180034	Shim 16x20x0,30	X
16	50180035	Shim 16x21x0,30	X
16	50180036	Shim 16x22x0,30	X
16	50180043	SHIM 16X32X0,10	X
16	50180024	Shim 16x24x0,20	X
16	50180027	SHIM 16X20X0,25	X
16	50180031	Shim 16x24x0,25	X
16	50180029	SHIM	X
16	50180010	SHIM 16X24X0,10	X
16	50180021	SHIM 16X21X0,20	X
16	50180025	SHIM 16X25X0,20	X
16	50180383	Washer 16x19x0,9	X
20	48600212	PRESSURE-RING 20X16,25X0,20	X
20	50180666	SHIM 20X24X0,30	X
20	50180654	SHIM 20X36X0,20	X
20	50180655	SHIM 20X38X0,20	X
20	50180656	SHIM 20X40X0,20	X
20	50180665	SHIM 20X40X0,25	X
20	50180662	SHIM 20X34X0,25	X
20	50180657	SHIM 20X24X0,25	X
20	50180653	SHIM 20X34X0,20	X
20	50180634	RING 20X22,9X1	X
20	50180650	SHIM 20,2X28X0,20	X
20	50180663	SHIM 20X36X0,25	X

080000190

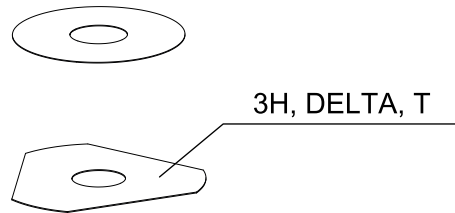
4668

* NEW PART

X ON DEMAND



- ⑤ Ø 5 mm
- ⑥ Ø 6 mm
- ⑧ Ø 8 mm
- ⑩ Ø 10 mm
- ⑫ Ø 12 mm
- ⑭ Ø 14-14,5 mm
- ⑯ Ø 16 mm
- ⑳ Ø 20 mm
- ㉑ Ø 21 mm
- ㉒ Ø 22 mm
- ㉓ Ø 23 mm
- ㉔ Ø 24,5 mm
- ㉘ Ø 28,5 mm
- ㉚ Ø 32 mm
- ㉜ Ø 52 mm



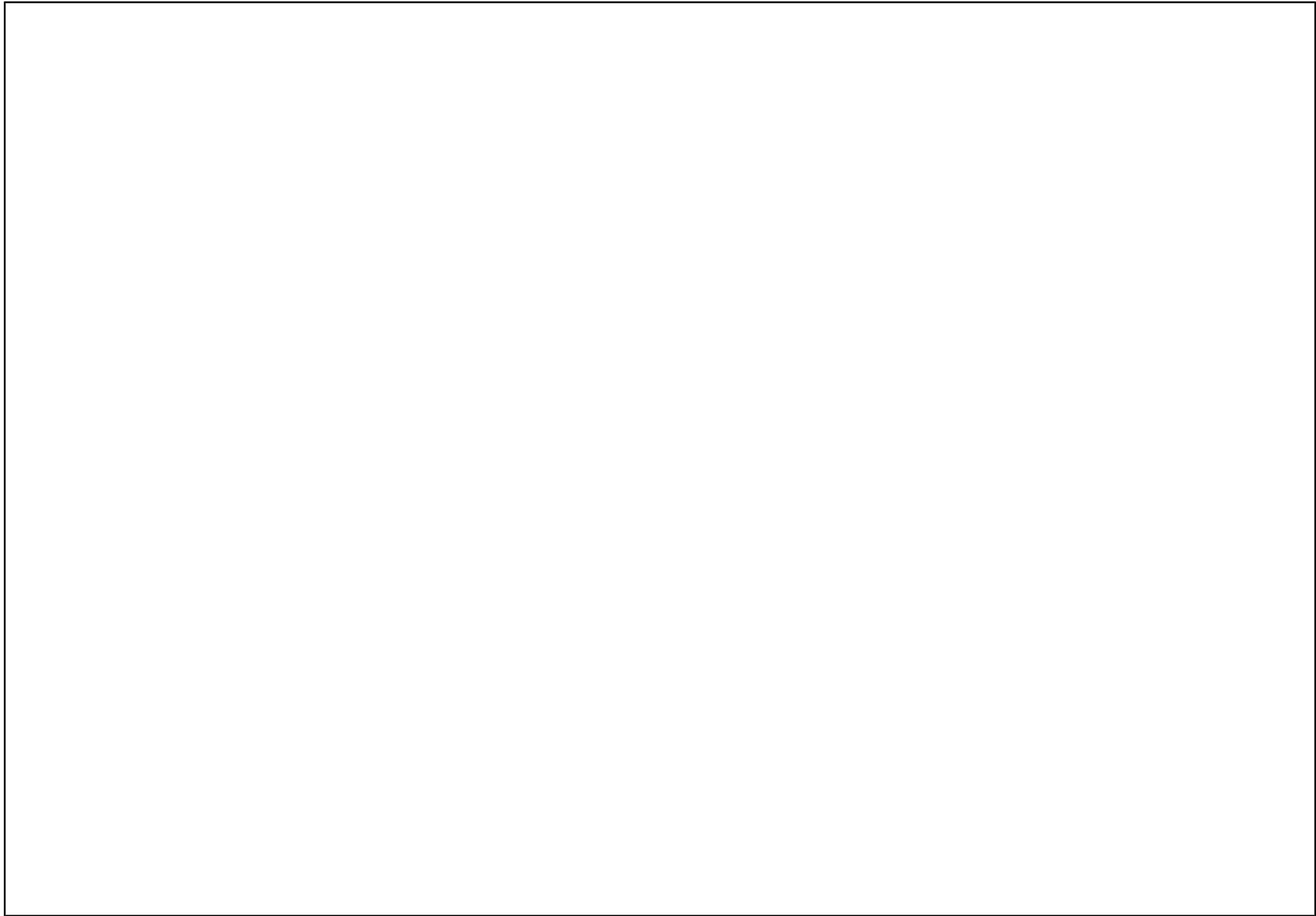
POS	PARTNUMBER	PARTNAME	PIECE
20	50180664	SHIM 20X38X0,25	X
20	50180659	SHIM 20,2X28X0,25	X
21	50180209	Shim 21x36x0,25	X
22	50180330	Shim 18x22x0,3	X
23	50180635	SHUTTLE VALVE 23X38X0,25	X
23	50180578	SHIM D23XD16X2	X
24	40541061	WASHER 24,5X34X2	X
28	36120469	SHIM 28,5X14X2	X
28	36120471	SHIM 28,5X14X5	X
32	48600460	WASHER 32X42X2,5	X
32	50600065	SHIM 32X45X2	X
32	46811637	Shim 32,25x36x0,30	X
52	50600002	Washer 52x59x2,2	X

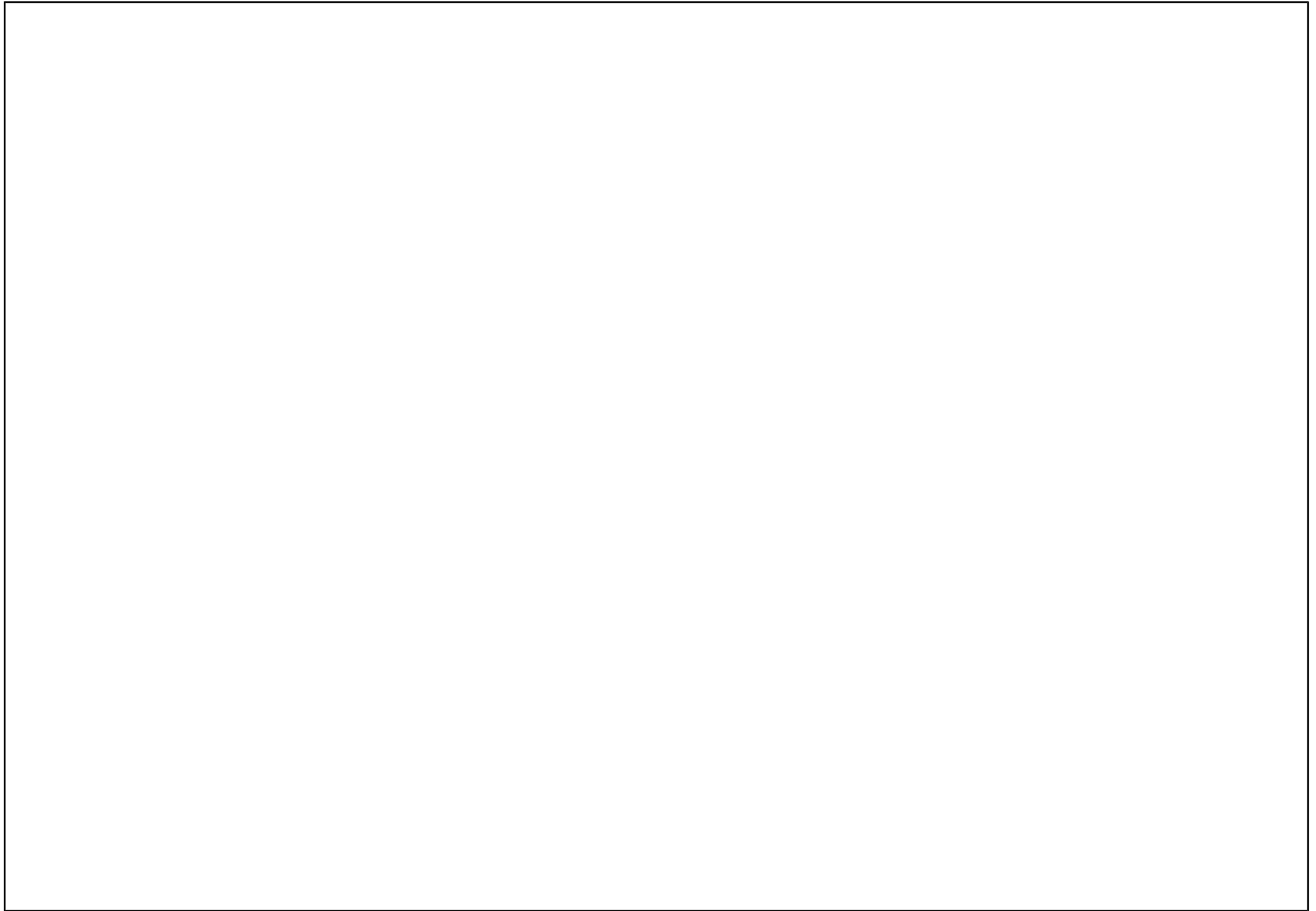
080000190

4668

* NEW PART

X ON DEMAND





WWW.KTM.COM



KTM Sportmotorcycle GmbH
5230 Mattighofen, Austria
www.ktm.com



KTM_POWERPARTS

KTM_POWERWEAR

KTM_ORIGINAL SPARE PARTS



F8201T5EN

Art. Nr.: F8201T5EN 2. Apr 2019