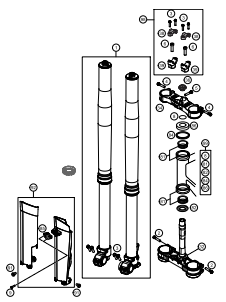
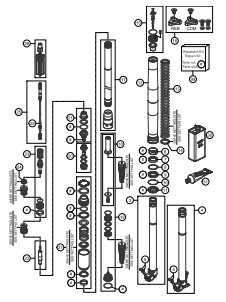
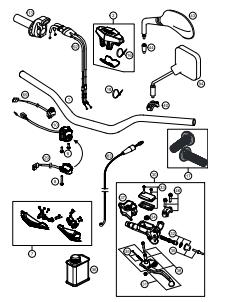
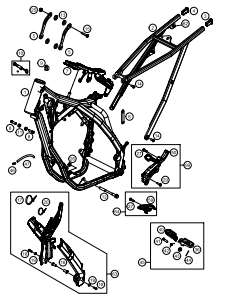
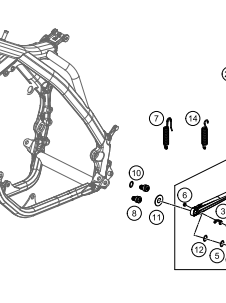
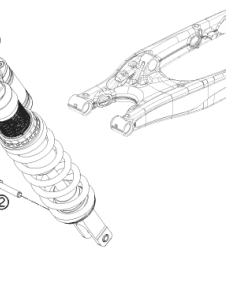
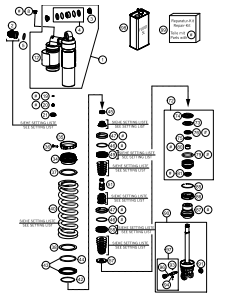
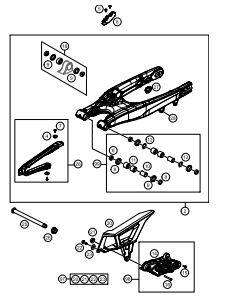
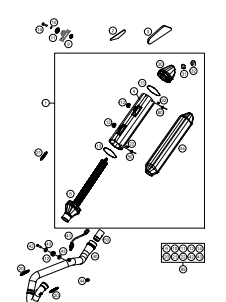
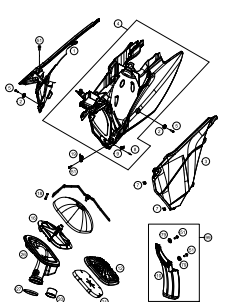
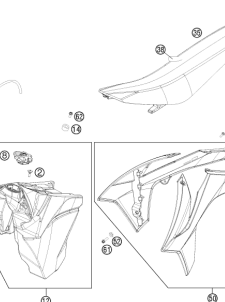
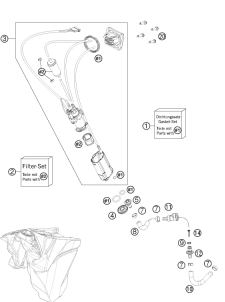
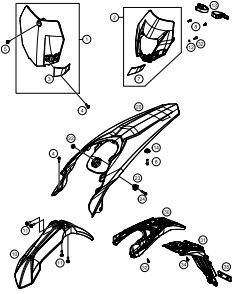
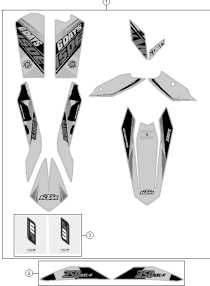
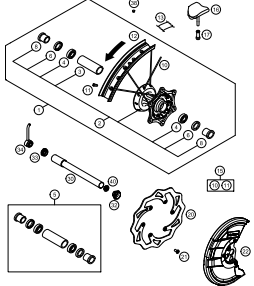
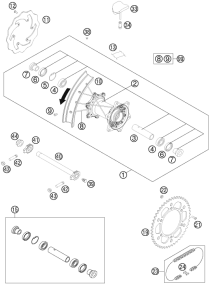
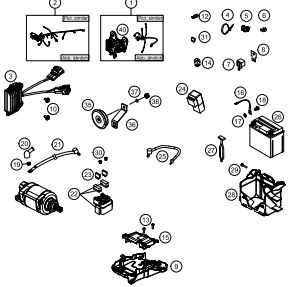
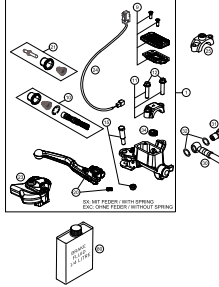
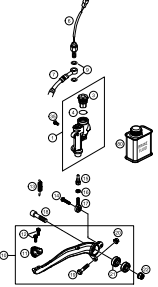
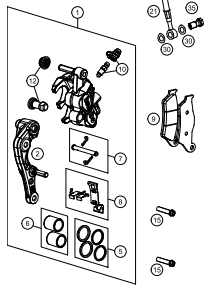
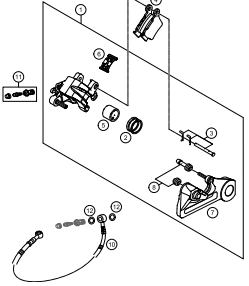
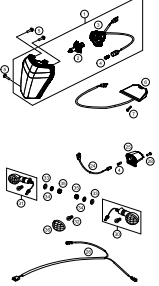
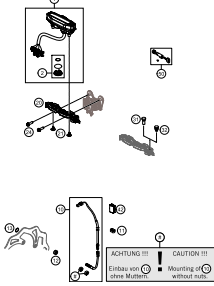
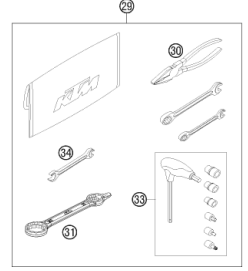


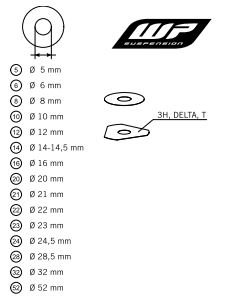

350 EXC-F SIXDAYS EU 2015

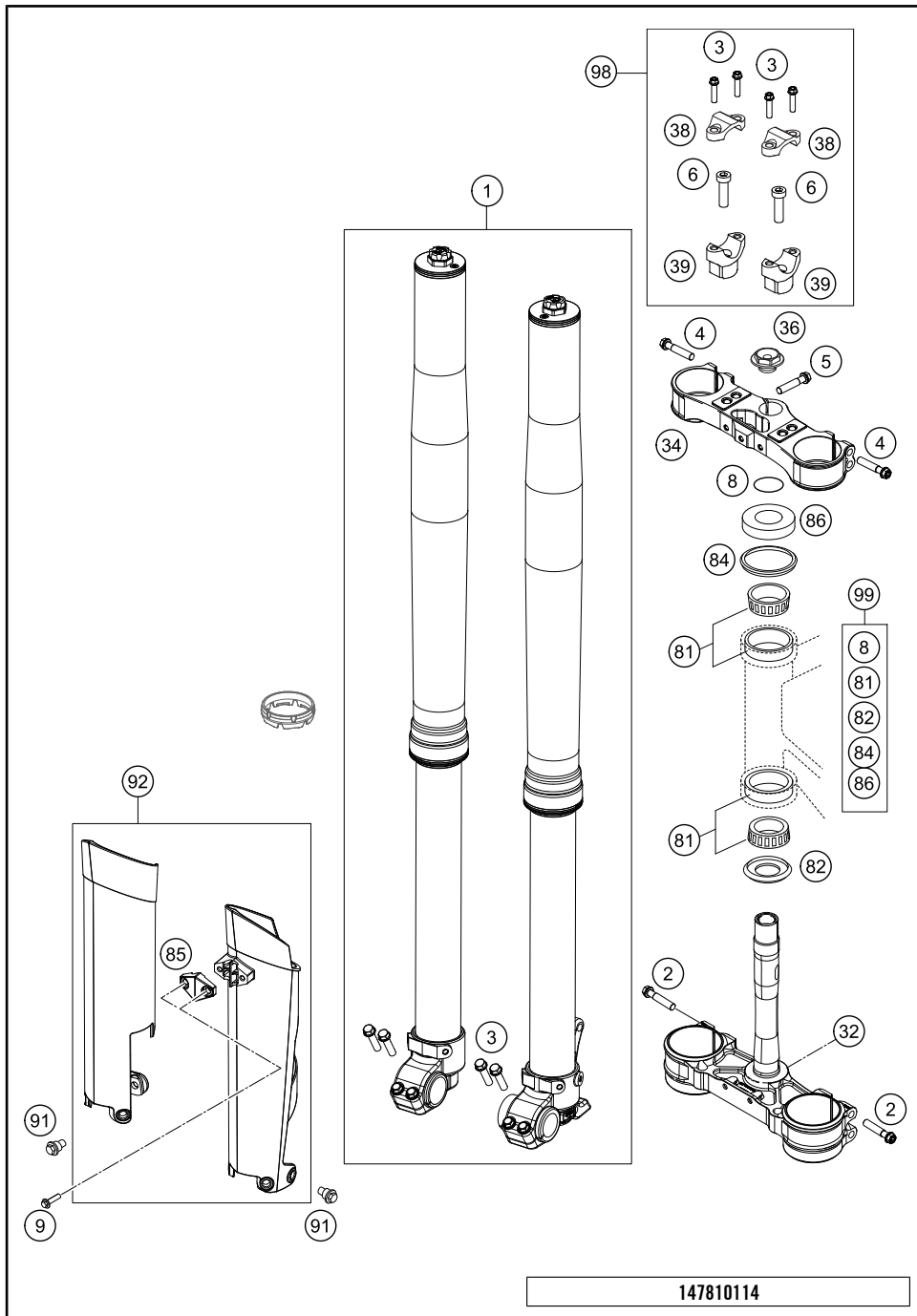
ART.-NR.: 3CFF820302EN



<p>FRONT FORK, TRIPLE CLAMP</p>  <p>4</p>	<p>FRONT FORK DISASSEMBLED</p>  <p>5</p>	<p>HANDLEBAR, CONTROLS</p>  <p>7</p>	<p>FRAME</p>  <p>8</p>
<p>SIDE / CENTER STAND</p>  <p>10</p>	<p>SHOCK ABSORBER</p>  <p>11</p>	<p>SHOCK ABSORBER DISASSEMBLED</p>  <p>12</p>	<p>SWINGARM</p>  <p>14</p>
<p>EXHAUST SYSTEM</p>  <p>15</p>	<p>AIR BOX</p>  <p>16</p>	<p>TANK, SEAT, COVER</p>  <p>17</p>	<p>FUEL PUMP</p>  <p>18</p>

<p>MASK, FENDERS</p>  <p>19</p>	<p>DECAL</p>  <p>20</p>	<p>FRONT WHEEL</p>  <p>21</p>	<p>REAR WHEEL</p>  <p>22</p>
<p>WIRING HARNESS</p>  <p>23</p>	<p>HAND BRAKE CYLINDER</p>  <p>24</p>	<p>REAR BRAKE CONTROL</p>  <p>25</p>	<p>BRAKE CALIPER FRONT</p>  <p>26</p>
<p>BRAKE CALIPER REAR</p>  <p>27</p>	<p>LIGHTING SYSTEM</p>  <p>28</p>	<p>INSTRUMENTS / LOCK SYSTEM</p>  <p>29</p>	<p>ACCESSORIES KIT</p>  <p>30</p>

<p>WP SHIMS FOR SETTING</p>  <p style="text-align: center; font-size: 2em;">32</p>			
	<div style="display: flex; align-items: center;">  <div> <p>All information contained is without obligation. KTM Sportmotorcycle GmbH particularly reserves the right to modify any equipment, technical specifications, prices, colors, shapes, materials, services, service work, constructions, equipment and the like so as to adapt them to local conditions or to cancel any of the above items, all without previous announcement and without giving reasons. KTM may stop manufacturing certain models without previous notice. KTM shall not be held liable for any deviations of availability and/or ability to deliver, illustrations, descriptions, printing and/or other errors. The illustrated models partly contain extra equipment, which is not applied to standard models.</p> <p>© by KTM Sportmotorcycle GmbH, Mattighofen AUSTRIA; All rights reserved; Reprint, also in extracts, with written allowance of KTM Sportmotorcycle GmbH, Mattighofen only.</p> </div> </div>		



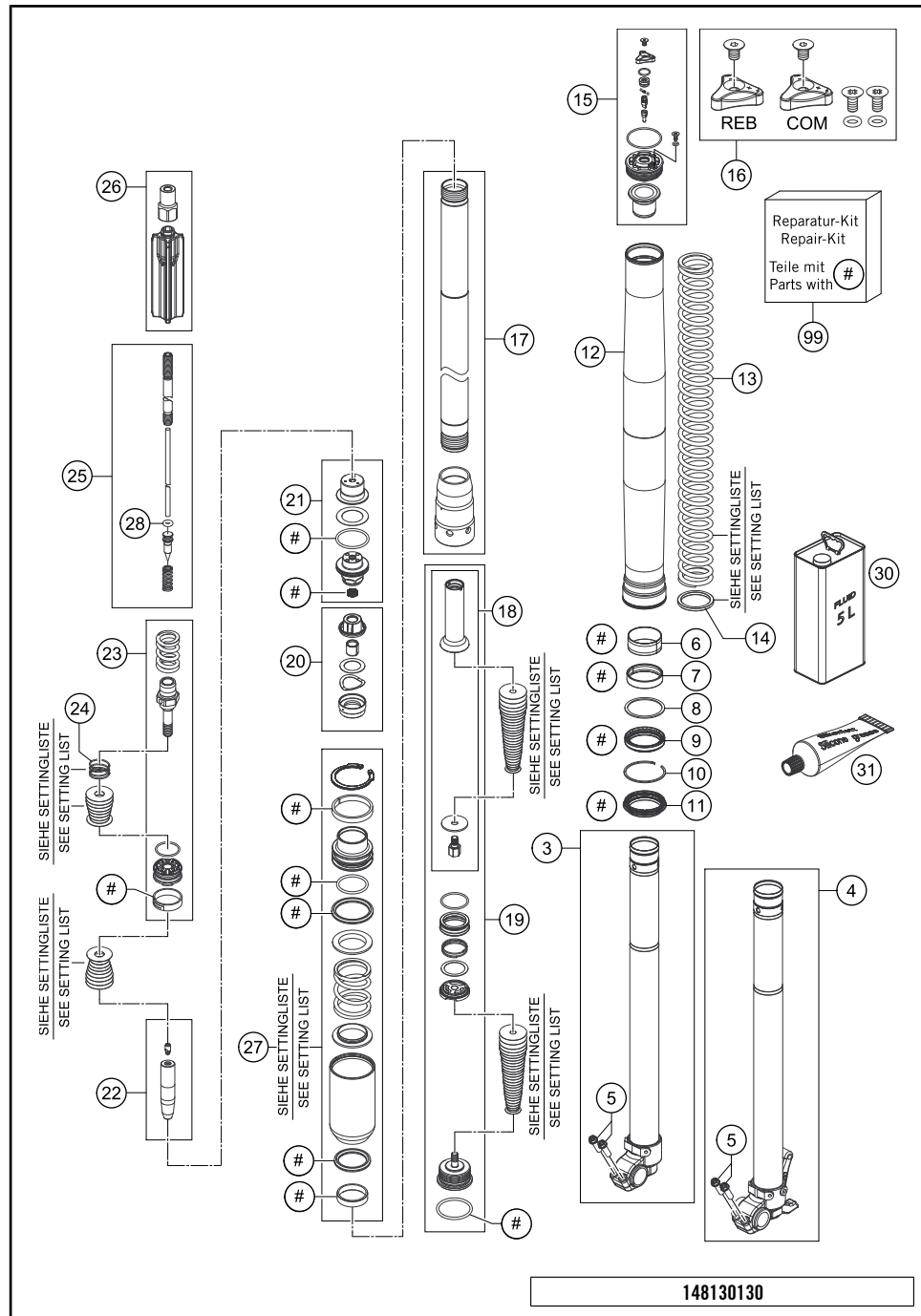
147810114

POS	PARTNUMBER	PARTNAME	PIECE
1	24187N6701	FORK 250/300 2014	1
2	0025080506	HH COLLAR SCREW M8X50 TX40	4
3	0025080256	HH COLLAR SCREW M8X25 TX40	8
4	0025080406	HH COLLAR SCREW M8X40 TX40	4
5	0025080256S	HH COLLAR SCREW M8X25 TX40	1
6	0032100356S	AH-COLLAR SCREW M10X35 ISA45	2
8	0770025035	O-RING 25X3,55 NBR70 05	1
9	0017060206	SCREW F. PLASTIC K60X20AL SW6	2
32	7770113202004	BOTTOM TRIPLE CLAMP CPL.	1
34	7720103402004	TOP TRIPLE CLAMP X=20MM ORANGE	1
36*	70009082000	AXLESCREW M20X1.5; SW17	1
38	77201038000	HANDLEBAR CLAMP 28MM	2
39	59401039032	HANDLEB.SUPP. D=28MM H=32MM 05	x
39	59401039037	HANDLEB.SUPP. D=28MM H=37MM 05	2
39	59401039042	HANDLEB.SUPP. D=28MM H=42MM 05	x
81	54201081100	TAPERED ROLLER BEARING CPL. 06	2
82*	77701084000	O-RING SUPPORT W. SEALING LIP	1
84	54601184000	STEERING HEAD GASKET TOP	1
85	7800108500028	CLAMP F. SPEED. CABLE D=6MM 08	1
86	78101086000	STEERING HEAD COVER	1
91	59001092050	SPECIAL SCREW M6X12,5 WS=8	6
92	7800109420028	FORK PROTECT. L/S+R/S WHITE	1
98	00050000921	HANDLEBAR SUPPORT KIT D28/H37	x
99	00050000930	STEERING HEAD REP. KIT 06-15	x

C157750110

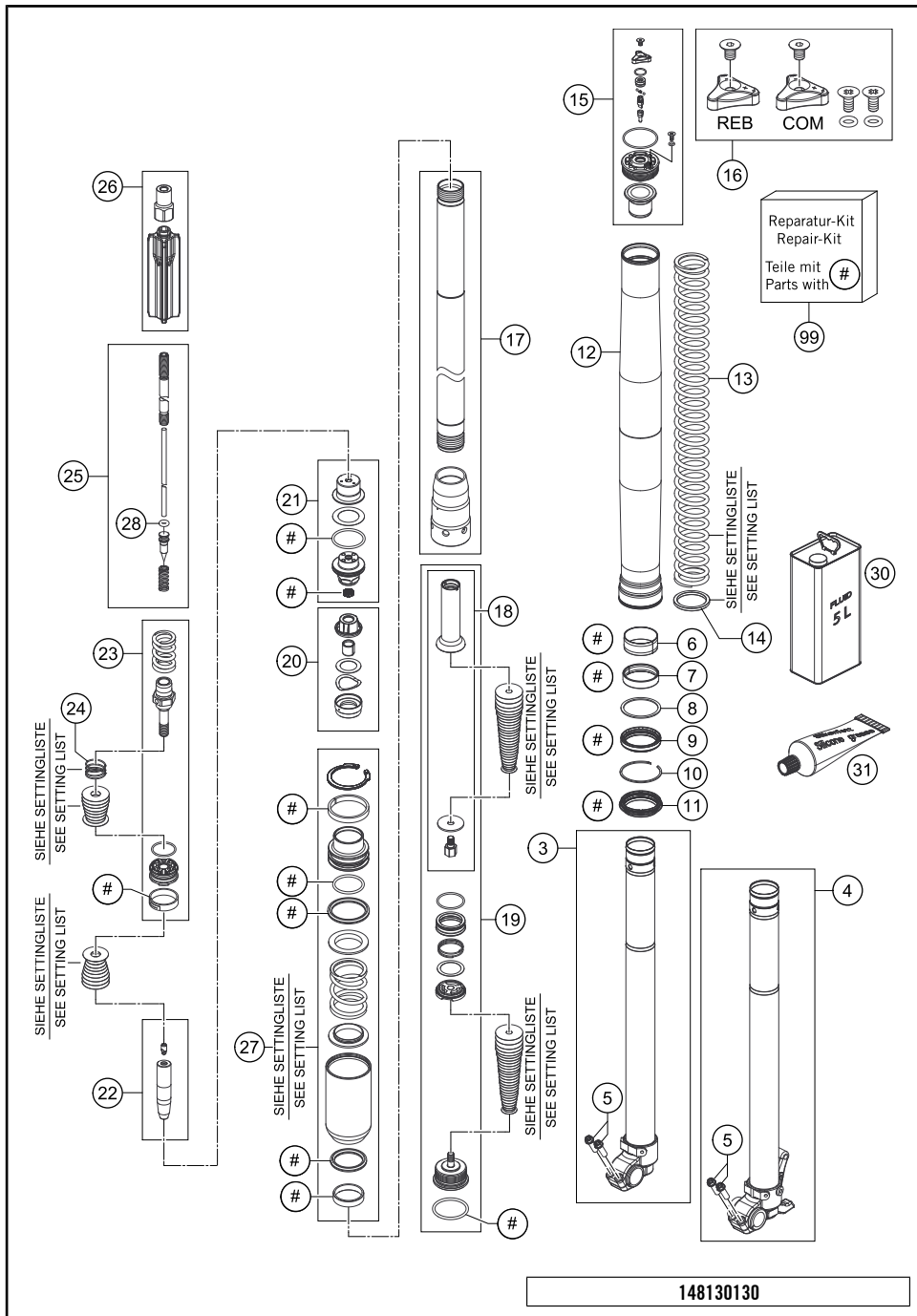
* NEW PART

X ON DEMAND



POS	PARTNUMBER	PARTNAME	PIECE
3	48601029S1	AXLE CLAMP R/S WITH INNER TUBE	1
4	48601028S1	AXLE CLAMP L/S WITH INNER TUBE	1
5	76009062000	SPECIAL SCREW M8X25 SS TX40	4
6	48601008	GUIDING BUSH 47X49X20 R11	2
7	48601009	GUIDING BUSH 48X52X12 R11	2
8	48600013	SUPPORT RING 50 X 57,6 X 1,5	2
9	48601179	OIL SEALRING D48X57,9X11,4 RED	2
10	48600070	LOCK WASHER SB58	2
11	48601178	DUST SEAL DL48X58,4X5,7 RED	2
12	48600736	OUTER TUBE L577 D54/60MM 2L	2
13	91410081S	SPRING D43,8 L465 3,6N/MM SET	x
13	91410082S	SPRING D43,8 L465 3,8N/MM SET	x
13	91410083S	SPRING D43,8 L465 4,0N/MM SET	x
13	91410084S	SPRING D43,8 L465 4,2N/MM SET	x
13	91410085S	SPRING D43,8 L465 4,4N/MM SET	x
13	91410086S	SPRING D43,8 L465 4,6N/MM SET	x
13	91410092S	SPRING D43,8 L465 4,8N/MM SET	x
14	48600456	SPACER 43X35X2,5	x
14	48600458	SPACER 43X35X1,5	x
15	48601116E	SCREW CAP M51X1,5 CPL.	1
15	48601050E	SCREW CAP M51X1,5 REB. KPL.	1
16	R14033	SCREW CAP SMALL PART KIT	1
17	48601031S	CARTRIDGE KIT	2
18	R14034	HYDROSTOP KIT	2
19	48601279S	BASE VALVE KIT	2
20	48601025S1	CHECK VALVE D21 CPL.	2
21	R14035	SCREW SLEEVE KIT	2
22	48601123S	NEEDLE KIT	2
23	R14036	TAP KIT	2
24	48600382	SHUTTLE VALVE SPRING C=0,4	2
25	48601054S	PISTON ROD CPL.	2
26	48601035S	SPRING GUIDE CPL.	2
27	48601021S	PRESSURE TANK L74,5 D36 S CPL.	x
27	48601021S2	PRESSURE TANK L74,5 D36 S2 CPL	x
27	48601021S3	PRESSURE TANK L74,5 D36 S3 CPL	x
27	48601021S4	PRESSURE TANK L74,5 D36 S4 CPL	x
28	46811265	O-RING VITON 2,2X1,6	2
30	48601166S1	FORK OIL SAE4 5L	1

* NEW PART X ON DEMAND

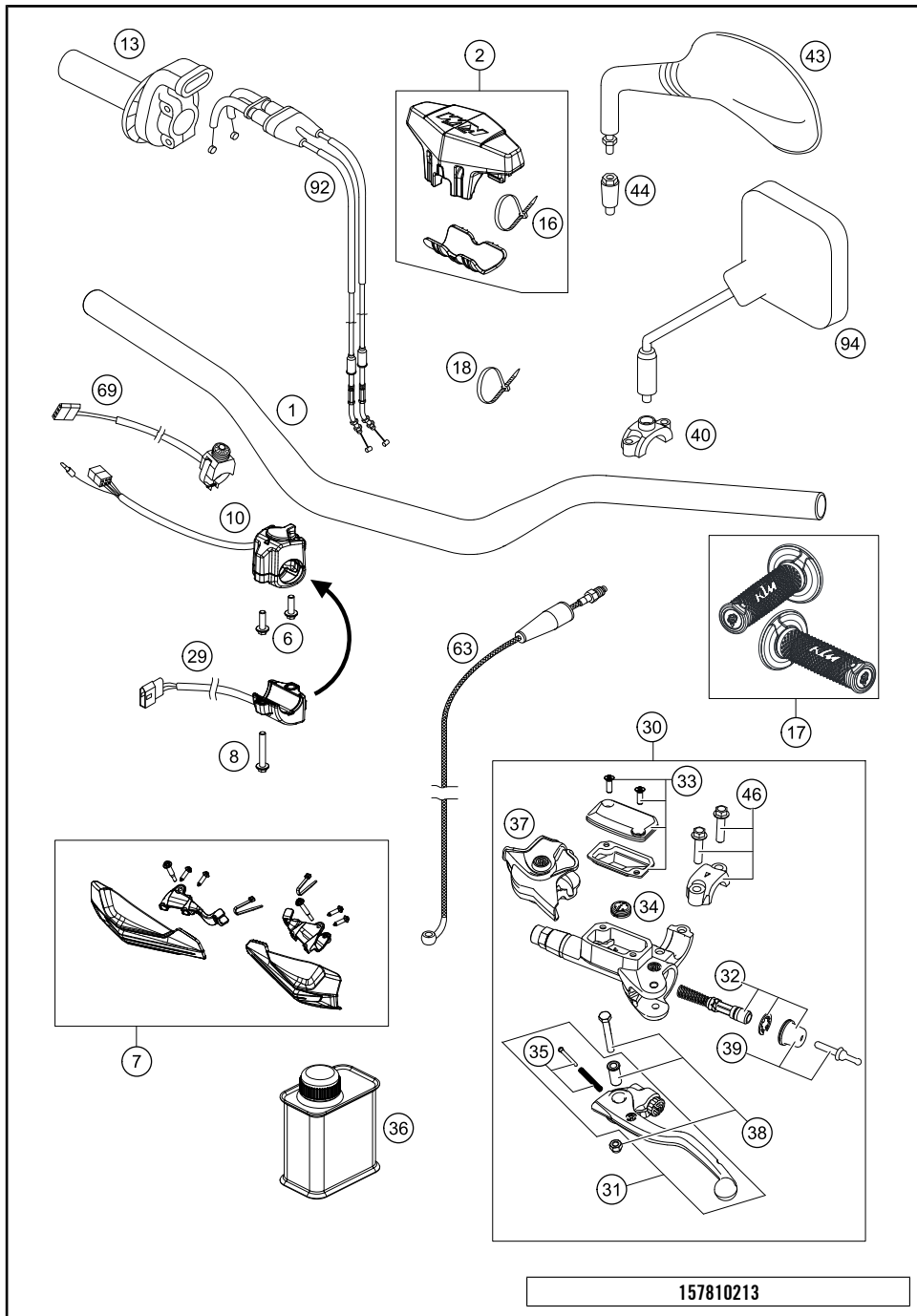


POS	PARTNUMBER	PARTNAME	PIECE
31	T511	SILICONE GREASE F. DUST STRI	1
99	R24001	REPAIR - KIT	X

148130130

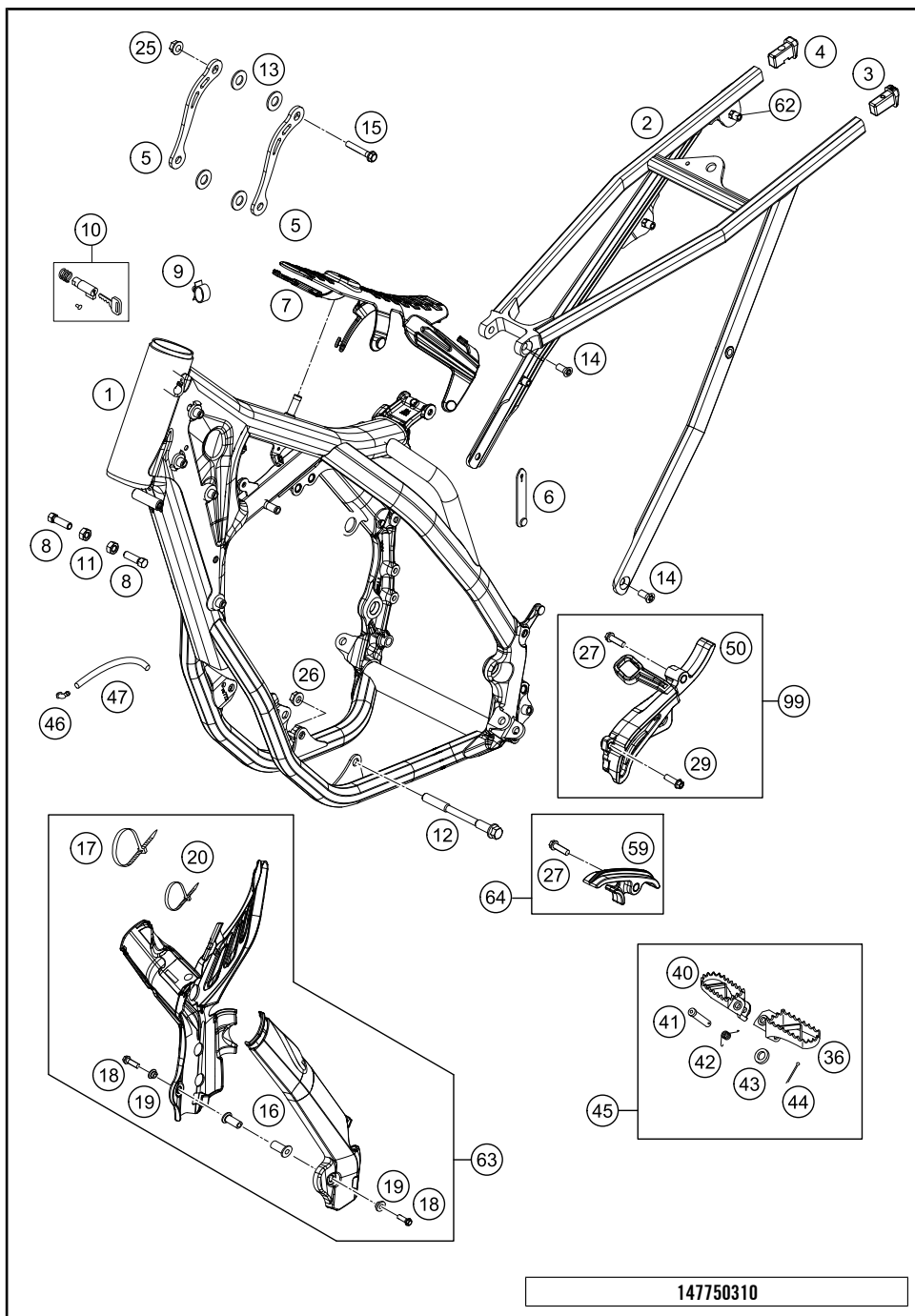
C148130131

* NEW PART X ON DEMAND



POS	PARTNUMBER	PARTNAME	PIECE
1	5480200130030	HANDLEBAR D=28MM SX/EXC BLACK	1
2	77202002144	BAR PAD CPL.	1
6*	0014050163	HH COLLAR SCREW M 5X16 WS=6	2
7*	7770217900028	HAND GUARDS CPL. L/S+R/S WHITE	1
8	0014050303	HH COLLAR SCREW M5X30 SW=6	2
10*	78111070000	LIGHT SWITCH	1
13	78102010000	THROTTLE GRIP CPL.	1
16	44011076305	CABLE TIE 300/4,8MM BLACK	x
17	78102021000	GRIP SET	1
18	44011076200	CABLE TIE 200/3,6MM BLACK	x
18	44011076140	CABLE TIE 140/2,5MM BLACK	x
29*	78111029000	FLASHER SWITCH	1
30	54802030144	MASTER CYLINDER CPL.	1
31	54802031000	CLUTCH LEVER CPL. BREMBO 06	1
32	54802032000	REP. KIT PISTON 06	1
33	5480200310030	COVER HYD. CLUTCH CPL. 2014	1
34	54802051000	VALVE	1
35	54802052000	BOLT KPL.	1
36	00062030000	BRAKE FLUID DOT5.1 0,25L	1
37	54802037000	PROTECTION CAP 06	1
38	54802038100	LEVER SCREW CPL. 06	1
39	54802046000	PUSH ROD CPL.	1
40	58012040150	CLAMP FOR MIRROR '94	2
43	58412040000	MIRROR L/S 98	x
43	58412041000	MIRROR R/S 98	x
44	58412040050	SUPPORT FOR MIRROR LC4 '98	x
46	54802005100	CLAMP CPL. 06	1
63	54832063000	CLUTCH PIPE 06	1
69	78111074000	STARTER BUTTON GREY 13	1
92	78102091000	THROTTLE CABLE 4ST. 13	1
94	58012040000	REAR MIRROR L/S	1
94	58012140000	REAR MIRROR R/S	1

* NEW PART X ON DEMAND

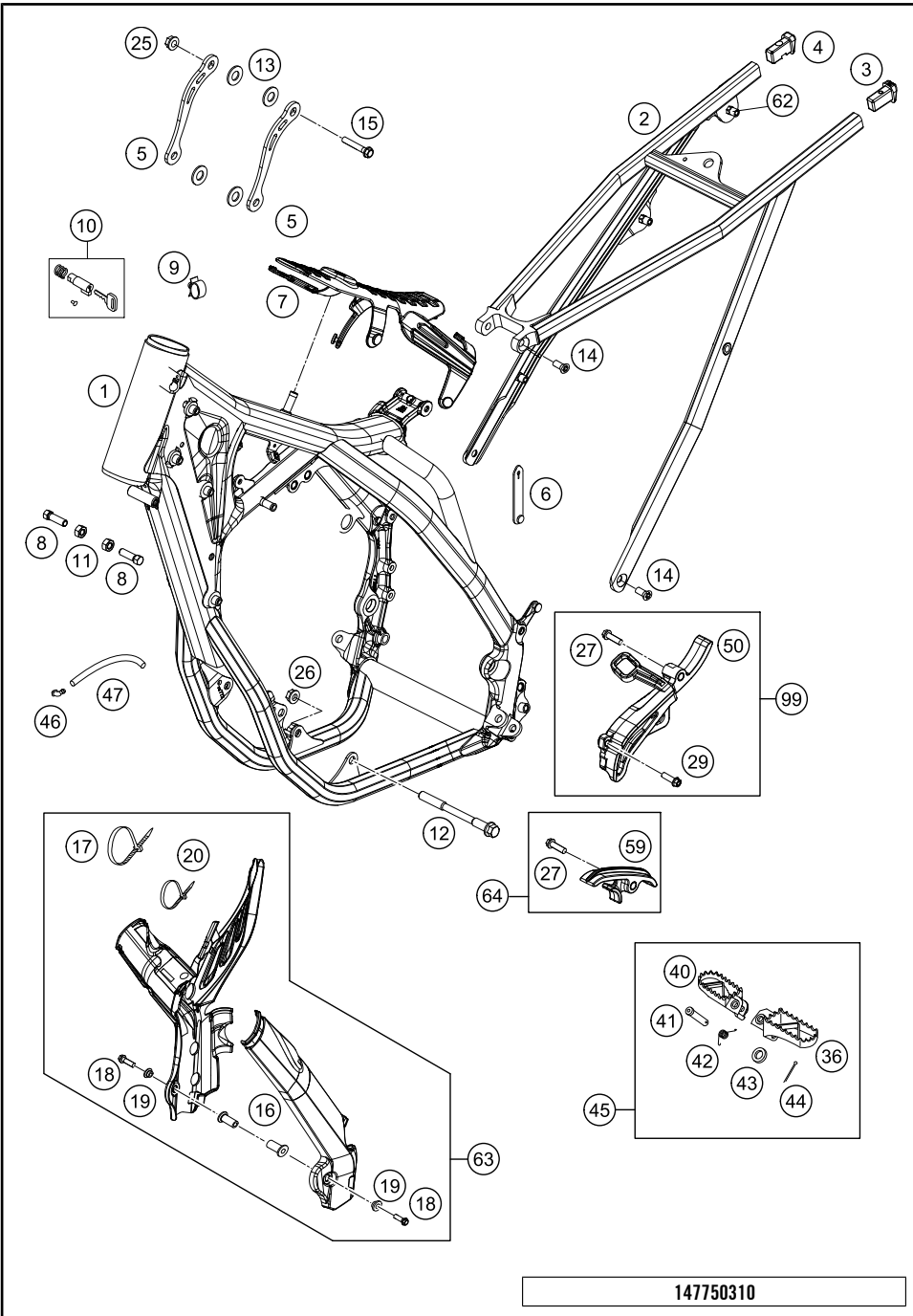


POS	PARTNUMBER	PARTNAME	PIECE
1*	7750310110004	FRAME "775N1" ORANGE	1
2	77203002000	SUB FRAME SX	1
3*	78103002010	SUB FRAME APPLICATION LEFT	1
4*	78103002020	SUB FRAME APPLICATION RIGHT	1
5*	77503113000	ENGINE BRACE 14	2
6	60011093075	RUBBER CABLE TIE 75MM Ø3	1
7	77207012000	TANK REST RUBBER	1
8	59001037000	SPECIAL SCREW M8X26 WS=10	2
9	57013072100	WIRING HOLDER 16MM	1
10	78003035000	STEERING HEAD LOCK Ø8	1
11	0934080003	HEXAGON NUT DINØ934-M 8	2
12	77203014000	ENGINE BRAC.SCR. M10X115	2
13	77003013050	WASHER 8,5X18X1 INOX	6
14	0019080206S	FLAT HEAD SCREW M. ISA45 M8X20	4
15	56530079000S	HH COLLAR SCREW M8X44 WS13	2
16	54803092050	BLIND PLUG-IN NUT M5 WN 22A Ø3	2
17	44011076305	CABLE TIE 300/4,8MM BLACK	3
18	0738050250	COU.SUNK SCR. AH ISO7380 M5X25	2
19	54803092060	BUSH F. FRAME PROTECTION Ø3	2
20	44011076140	CABLE TIE 140/2,5MM BLACK	2
25	06923080003	HEXAGON NUT DIN EN1661 M8 SW13	2
26	54310086100	SELF LOCKING NUT M10 CU WS=14	2
27	0025080306	HH COLLAR SCREW M8X30 TX40	2
29	0025060256	HH COLLAR SCREW M6X25 TX30	1
36	78003040050	FOOTREST L/S Ø8	1
40	78003041050	FOOTREST R/S Ø8	1
41	54803044000	PIN FOR FOOT PED 51.5X9.8 MM	2
42	54603041000	FOOTREST SPRING L/S & R/S	2
43	0125100003	WASHER DINØ125-A10,5	2
44	0094032253	PIN DINØ094-3,2X25 STEEL	2
45	78003040033	FOOTREST L/S + R/S CPL. Ø9	1
46	50303089000	ANGLE PIECE '97	2
47	55007016001	PVC-HOSE 7X10 PER METER	0
50	77203096000	SPROCKET COVER 350 SX-F	1
59	77203053000	CHAIN SLIDER LOWER PART CPL.	1
62	77303139000	BLIND RIVET NUT EM6-60LF/HX	x
63	77203094000	PLASTIC FRAME PROTECTION SET	1

147750310

C147750312

* NEW PART X ON DEMAND

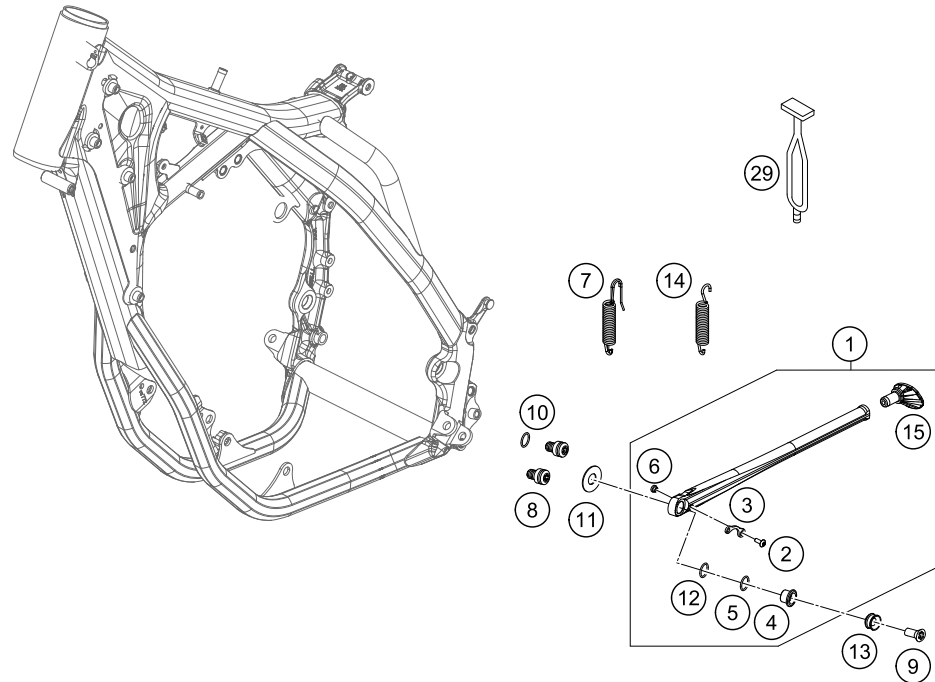


POS	PARTNUMBER	PARTNAME	PIECE
64	77203053010	CHAIN SLIDING KIT BELOW CPL.11	1
99	77203096010	SPROCKET COVER KIT	X

147750310

C147750312

* NEW PART X ON DEMAND



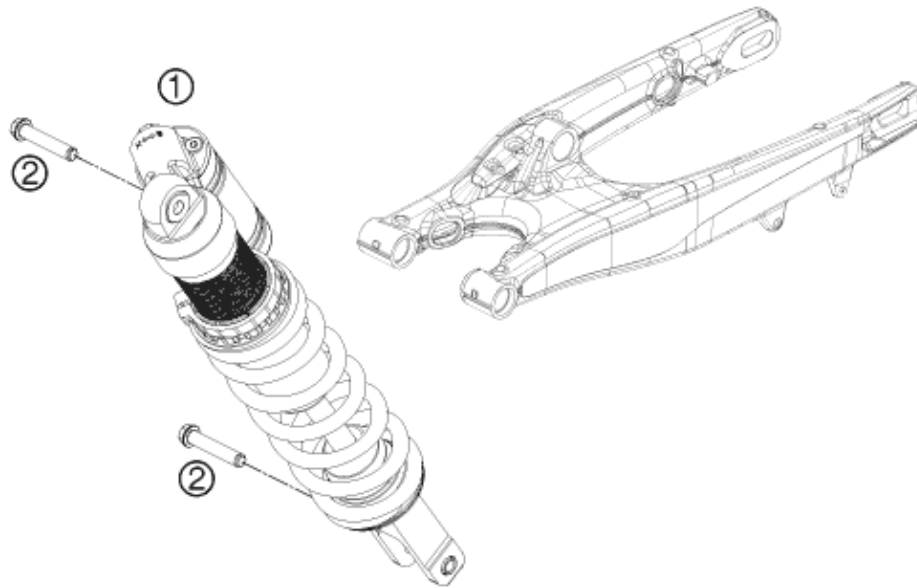
POS	PARTNUMBER	PARTNAME	PIECE
1	78003023044	SIDE STAND CPL. 08	1
2	58605083014	SCREW M5X14 TORX 25 07	1
3	78003023090	SPRING BRACKET F. SIDE ST. 08	1
4	78003023080	SIDE STAND BUSHING EXC USA 08	1
5	0770180020	O-RING 18,00X2,00 NBR 70	1
6	78003023070	SPACER BUSH. SPRING BRACKET	1
7	81203024000	SIDE STAND SPRING EYE MOVEABLE ONLY FOR EXC	1
8	78003023182	SIDE STAND STOP SCREW M10X12	2
9	0019080266S	COUNTER-SUNK SCREW ISA45 M8X26 ONLY FOR 78003023081	1
9	0019080206S	FLAT HEAD SCREW M. ISA45 M8X20	1
10	0770120020	O-RING 12,00X2,00 NBR 70	1
11	78003023083	WASHER F. SIDE STAND 12,2X29,5	1
12	0770125015	O-RING 12,5X1,5 NBR	1
13	78003023081	SIDE STAND BUSHING EXC-EU 08	1
14	78003024100	SIDE STAND SPRING 08 ONLY FOR XC	1
15	78003023155	STAND BASE	1
29	50303018000	RUBBER L=145MM	1

147750360

C147750360

* NEW PART

X ON DEMAND



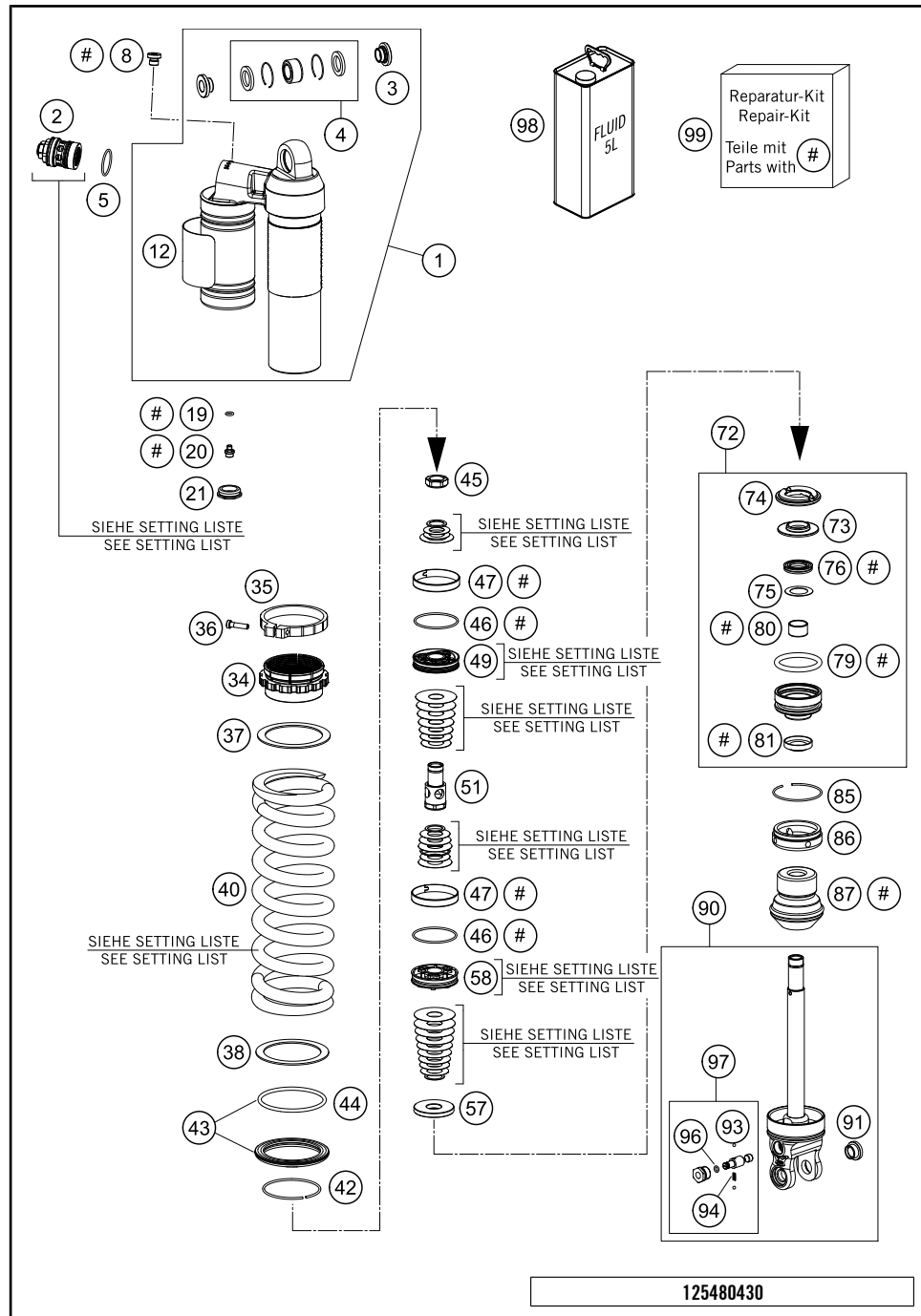
POS	PARTNUMBER	PARTNAME	PIECE
1	12187L6701	MONOSH. 5018 PDS 350 EXC/XC-W	1
2	0025120506S	HH COLLAR SCREW M12X50 TX45	2

127750410

C127750410

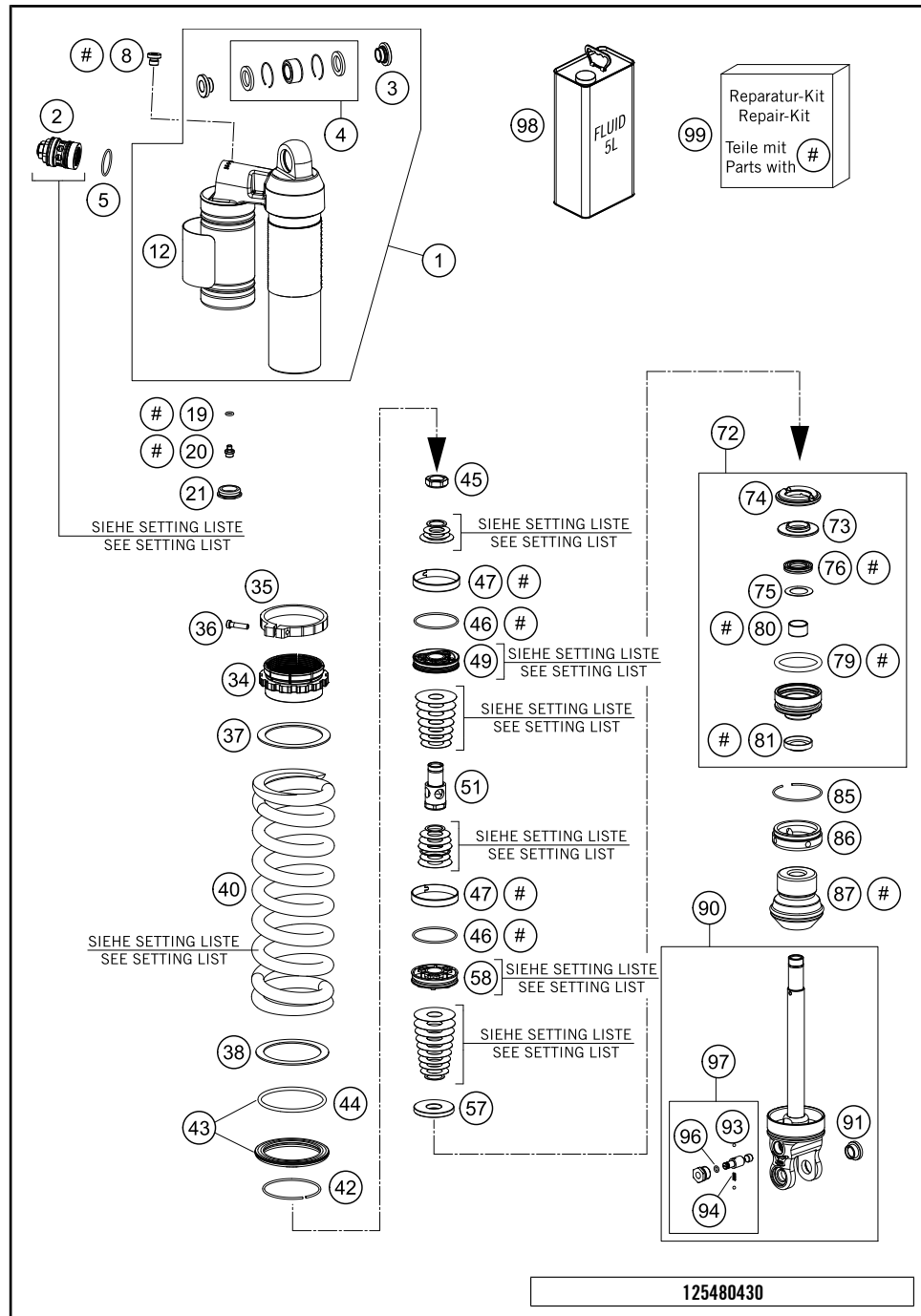
* NEW PART

X ON DEMAND



POS	PARTNUMBER	PARTNAME	PIECE
1	50180833SA2	MONOSHOCK UPPER PART CPL.	1
2	50180213S10	DCC-COMPR.DAMP.CONTROL CPL. 07	1
3	46180007	ADAPTOR BUSH KGW 12X24	2
4	R12012	REP. KIT BEAR./SEAL UP. 07	1
5	50180217	O-RING 27X1,5 VITON	1
8	50180095	BLEED PLUG R 1/8	1
12	52000085	WP CAUTION (PDS KTM)	1
19	46810893	O-RING NBR 5,28X1,78	1
20	36120151	SCREW PLUG M5X6	1
21	46811208	RUBBER CAP "DO NOT OPEN"	1
34	50180938	ADJUSTING NUT PLASTIC	1
35	50180937	TENSIONING RING D64 H10	1
36	14460042	%ALLENHEAD SCREW M5 L=20 STAIN	1
37	50180965	SPACER RING SPRING 61,3X78X3	1
38	50180114	SPACER RING FOR SPRING	1
40	91210053S	SPRING 250 63N/MM ORANGE	x
40	91210054S	SPRING 250 66N/MM ORANGE	x
40	91210068S	SPRING 250 69N/MM ORANGE	x
40	91210069S	SPRING 250 72N/MM ORANGE	x
40	91210070S	SPRING 250 76N/MM	x
42	50180273	CIRCLIP 58,2X2	1
43	50180463S	SPRING RET. D=80 W. O-RING 05	1
44	50180352	O-RING VITON 66,27X3,53	1
45	50180627	PISTON ROD NUT M20X1	1
46	50180099	O-RING VITON 44,17X1,78	2
47	50180135	PISTON RING 50-8	2
49	50180675	PISTON D=20	1
51	50180973	SUPPORT D20 M20X1 L51,3 PDS	1
57	50180970	REBOUND DISC D43	1
58	50180197	PISTON 6+6X7/4,5	1
72	50180603S	ADAPTOR CPL. D=50 H=28 08	1
73	50180113	STEEL DISC 18X,5X43,7X6	1
74	50180107	REBOUND RUBBER	1
75	50180604	SHIM D29,75 X D19 X T0,4 08	1
76	50180605S	SEAL D18X30X5 08	1
79	50180103	O-RING 41X5	1
80	46180119	DU-BUSH 18X20X12	1
81	50180606	DUST SEAL 1828 08	1

* NEW PART X ON DEMAND

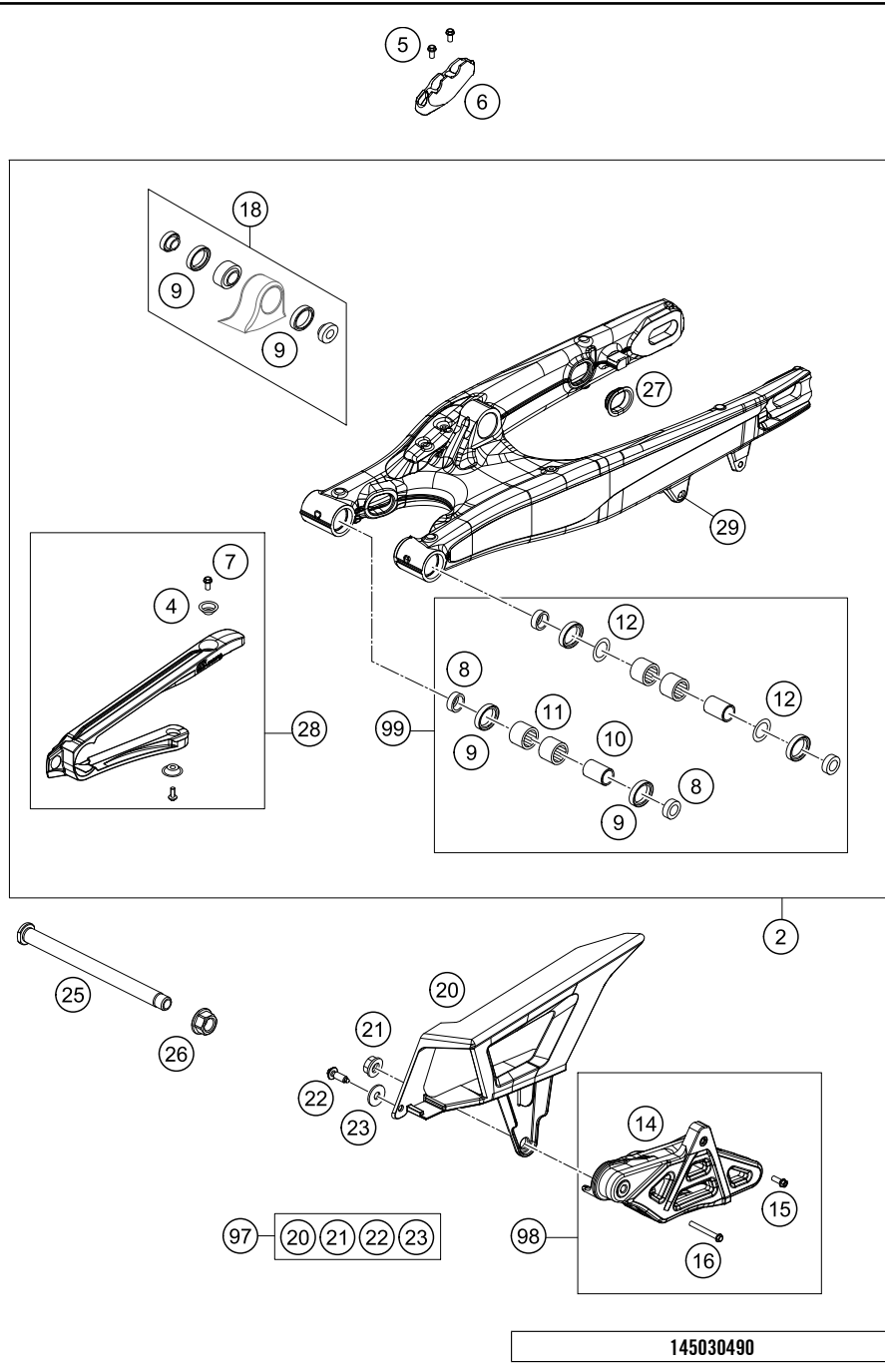


POS	PARTNUMBER	PARTNAME	PIECE
85	50180126	CIRCLIP 53X1,75	1
86	50180626	RESERVOIR CAP D=50 H=10 09	1
87	50180600	BUMP RUBBER D58 D17 H59 2008	1
90	50180512SA4	SHOCK ABS. LOWER PART CPL. 12	1
91	50180105	THREADED BUSH M12 PDS	1
93	40540603	STEEL BALL D=3MM	2
94	48600028	SPRING D=2,9 L=7,9	1
96	50180222	O-RING NBR 4X1,5	1
97	50180434S	ADJUSTING SCREW REBOUND TRAVEL	1
98	50180751S1	SHOCK ABSORBER FLUID 5 LT	1
99	R12015	REPAIR KIT 5018 PDS 08	1

C127740430

* NEW PART

X ON DEMAND

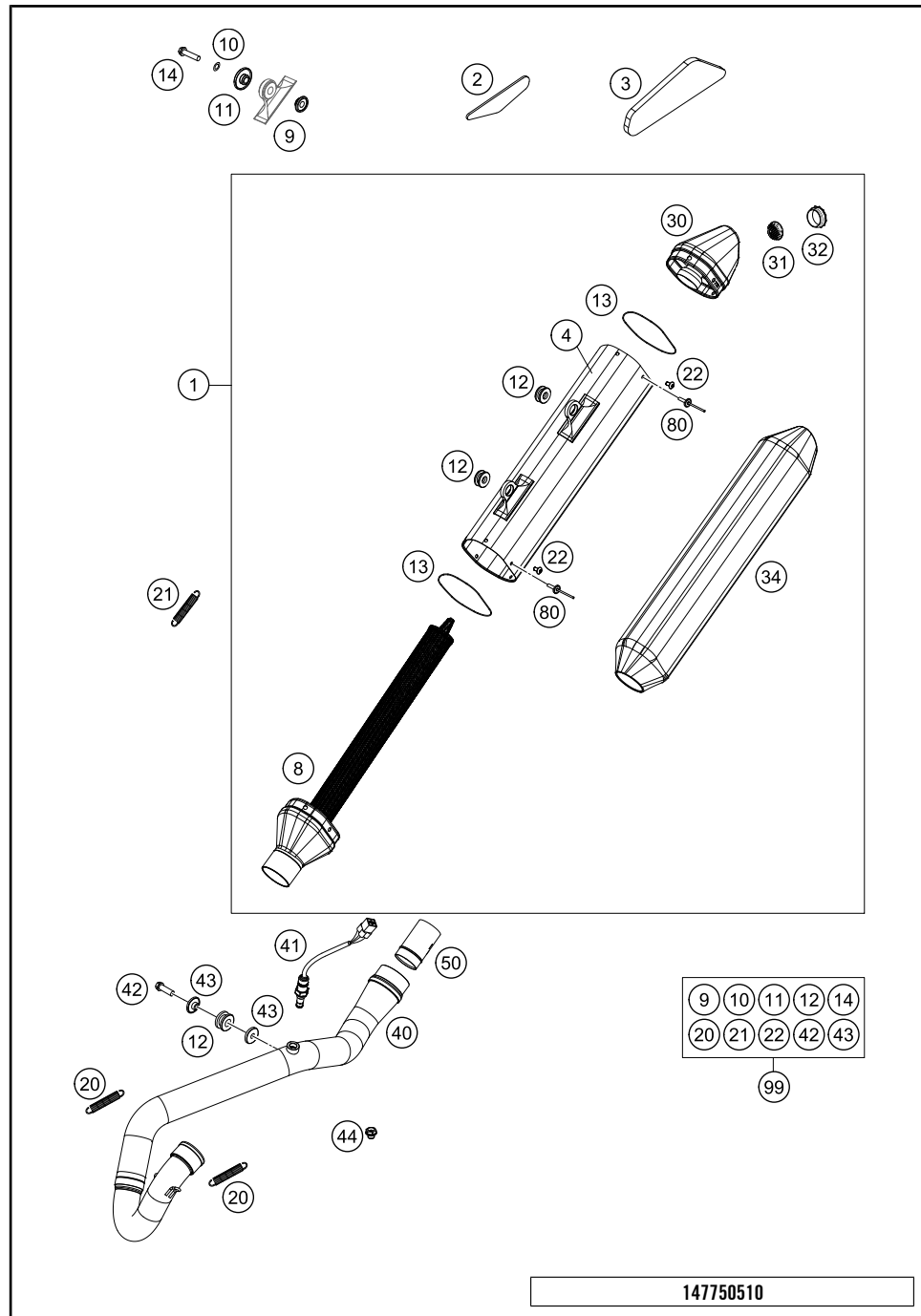


POS	PARTNUMBER	PARTNAME	PIECE
2	51504030044	SWING ARM CPL. PDS 2011	1
4	77304066050	BUSHING F. CHAIN SLIDING PR.07	2
5	0009050106	EJOT SPIRAL SCREW SF M5X10-K	2
6	77313047000	BRAKE HOSE GUIDE LOWER 07	1
7	59009062013	SPECIAL SCREW M6X13 WS=8 10.9	2
8	54804034000	BUCKET F. SHAFT SEAL RING 03	4
9	0760253270	SHAFT SEAL RING 25X32X7	6
10	54804032000	BUSHING SLEEVE F. SWING ARM 03	2
11	58033097000	NEEDLE BEARING HK 2216	4
12	54603036000	STOP DISK 22,2X31,7X1	2
14	78104070100	CHAIN GUIDE EXC	1
15	59009062019	SPECIAL SCREW M6X19 WS=8 10.9	1
16	0025060506	HH COLLAR SCREW M6X50 TX30	1
18	50304090144	PIVOT BEARING+BUSH. PDS '11	1
20	78104060000	CHAINGUARD	1
21	56509064100	SELF LOCKING NUT M6 10.9	1
22	0017060205	SCREW FOR PLASTIC K60X20 SW6	1
23	0021060003	WASHER DIN9021-A 6,4	1
25	77304037000	SWINGARM BOLT M16X1,5 07	1
26	54804038000	SELF LOCK.NUT M16X1,5 WS=19 03	1
27	77204041000	CLOSING COVER	4
28	51504066044	CHAIN SLIDING GUARD KIT 11-15	1
29	54603055051	PRESS IN NUT M6 STEEL ZINC	1
97	78104060010	CHAIN PROTECTION KIT EXC 12-14	x
98	78104070010	CHAIN GUIDE KIT EXC 14-15	x
99	54804230210	SWINGARM REPAIR KIT 05-15	x

145030490

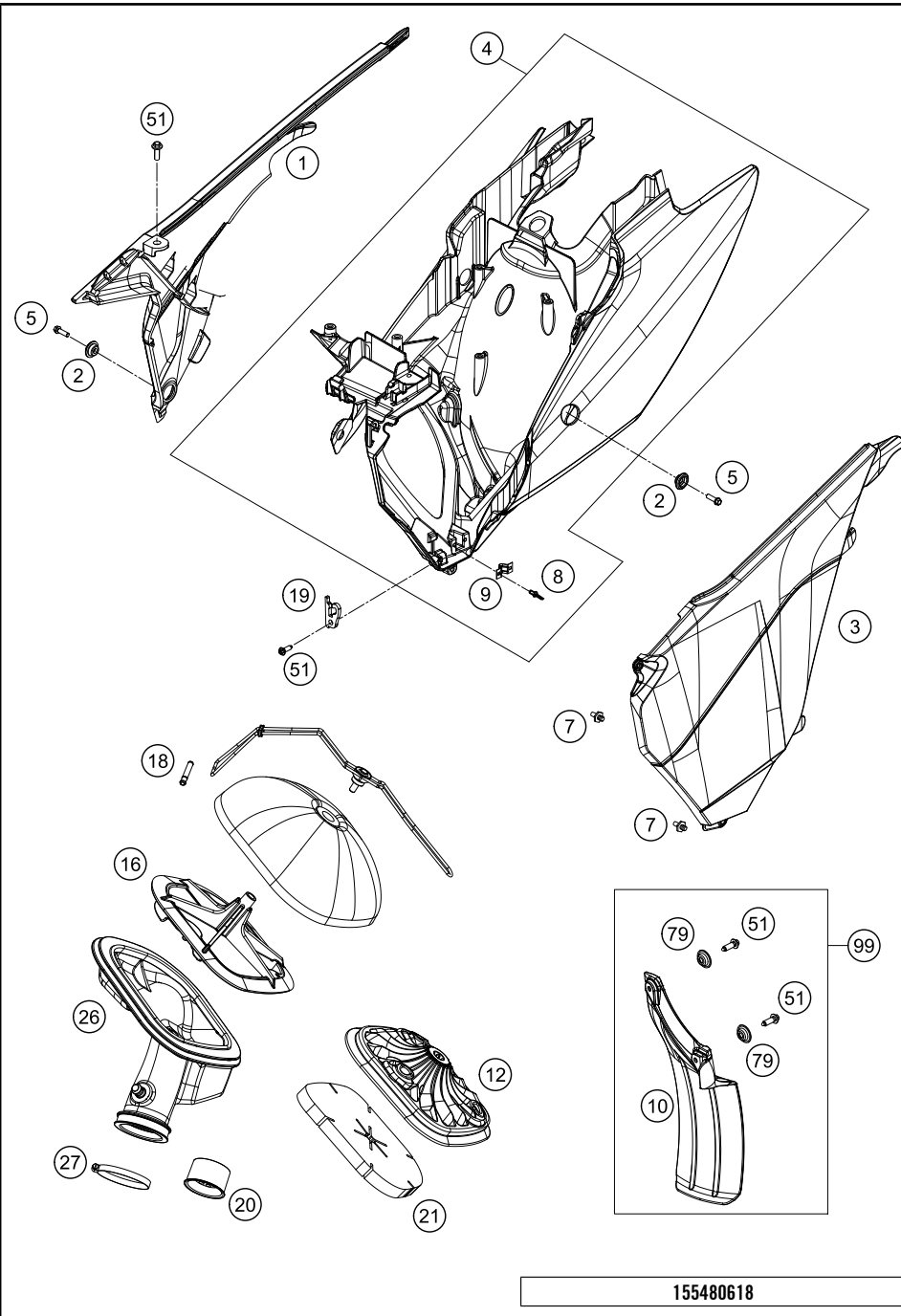
C155480494

* NEW PART X ON DEMAND



POS	PARTNUMBER	PARTNAME	PIECE
1*	7870508100059	SILENCER EXC SD	1
2	77308013050	THERMAL PROTECTION FOIL 07	1
3	77208013050	THERMAL PROTECTION FOIL	1
4*	7870508108059	SILENCER HOUSING EXC-F	1
8	77705081050	CONNECTING CAP CPL.	1
9	77205069000	BUSHING 7.5x12x20x8.2 11	2
10	0137060003	SPRING WASHER DIN0137-B 6	2
11	77205169000	BUSHING 7.5x12x28x8.3 11	2
12	77205068000	DAMP. COMPON. BLACK	3
13	0770740015	O-RING 74,00X1,50 FKM 75SH	2
14	0025060306	HH COLLAR SCREW M6X30 TX30	2
20	50305016000	TEN.SPRING L=62MM EY.MOVEABLE	2
21	50305116000	TEN.SPRING L=75MM EY.MOVEABLE	1
22	78105081010	SCREW TORX M5X10	10
30*	78705081060	END CAP CPL.	1
31	77005081065	THROTTLE ELEMENT CPL. EXC 07	1
32	77005081055	SIL. ELEMENT EXC-F 07	1
34	78905078700	ROCKWOOL PREFORMED	1
40	77505009000	AP MANIFOLD EXC WITH LAMBDA	1
41	75041090100	LAMBDA SENSOR	1
42	0025080256	HH COLLAR SCREW M8X25 TX40	1
43	59405069000	BUSHING FOR EXHAUST SUPPORT 03	2
44	77405009065	PLUG SCREW M12X1,25 WS17	1
50	78105091000	PLUG IN CAT 2012	1
80	0011401200	DUMMY RIVET 4,0X12 ALU	x
99	00050000815	EXHAUST PARTS KIT 12-14	x

C157810514 * NEW PART X ON DEMAND



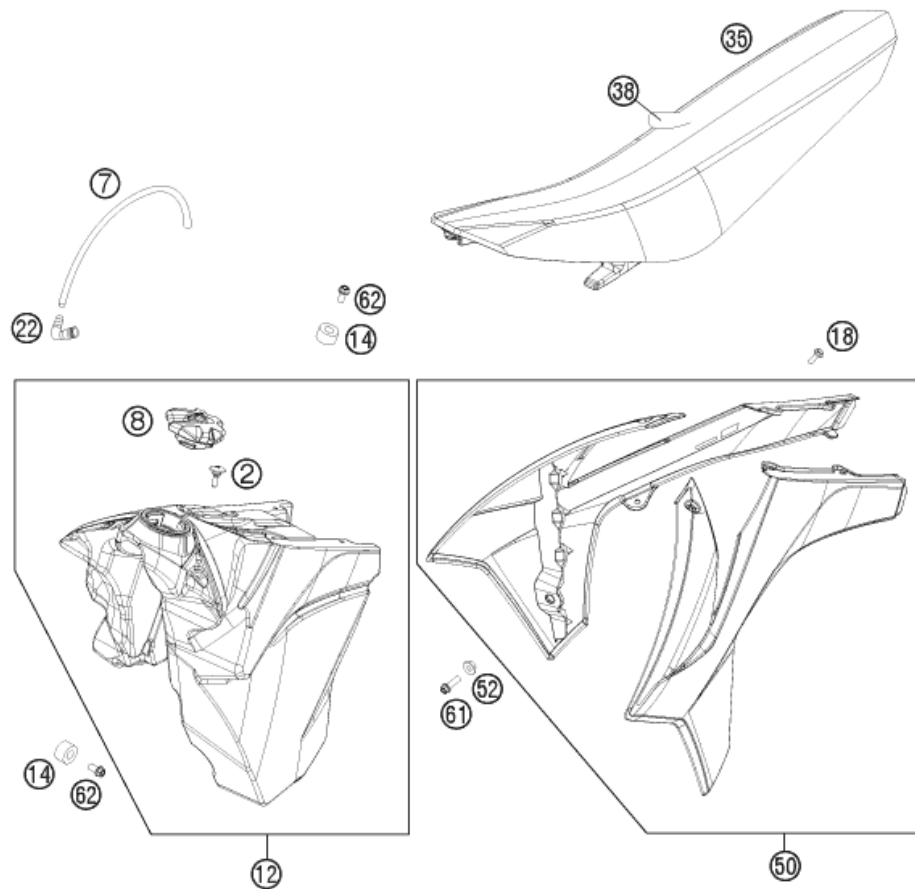
155480618

POS	PARTNUMBER	PARTNAME	PIECE
1*	7770600410028B	AIR BOX COVER R/S SIX DAYS 15	1
2	77308013010	COLLAR BUSH. F.REAR FENDER 07	2
3*	7770600300028D	AIR BOX COVER L/S SIX DAYS 15	1
4	7770600104428	FILTER BOX CPL. WHITE 13	1
5	0025060206	HH COLLAR SCREW M6X20 TX30	2
7	54806008051	QUICK RELEASE-NIPPLE 03	2
8	54806108052	BLIND RIVET 3,3X9,7 GROOVED 04	4
9	54806008050	QUICK RELEASE-SPRING HANGER	2
10	77306010000	FENDER FOR FILTER BOX	1
11*	50306017055	RUBBER SLEEVE 15X22X26	1
12	78106012000	THROTTLE VALVE CAP ONLY FOR EU+AUS	1
15	77206015000	AIR FILTER	1
16	77206016000	FILTER CARRIER 11	1
17	77206017000	FILTER SUPPORT CPL. 11	1
18	77306018000	FILTER SUPPORT BUSH 07	1
19	77206019000	FASTEN. DEVICE FILTER S. SX 11	1
20	78106012050	THROTTLE VALVE	1
21	78106014000	THROTTLE VALVE CAP FILTER	1
26	77506026000	AIRBOXRUBBER 350 EFI	1
27	51006027000	HOSE CLAMP 50-70MM	1
51	0017060206	SCREW F. PLASTIC K60X20AL SW6	4
79	77304066050	BUSHING F. CHAIN SLIDING PR.07	2
99	77306010010	SPLASH PROTECTOR KIT SX/EXC	x

C155480618

* NEW PART

X ON DEMAND

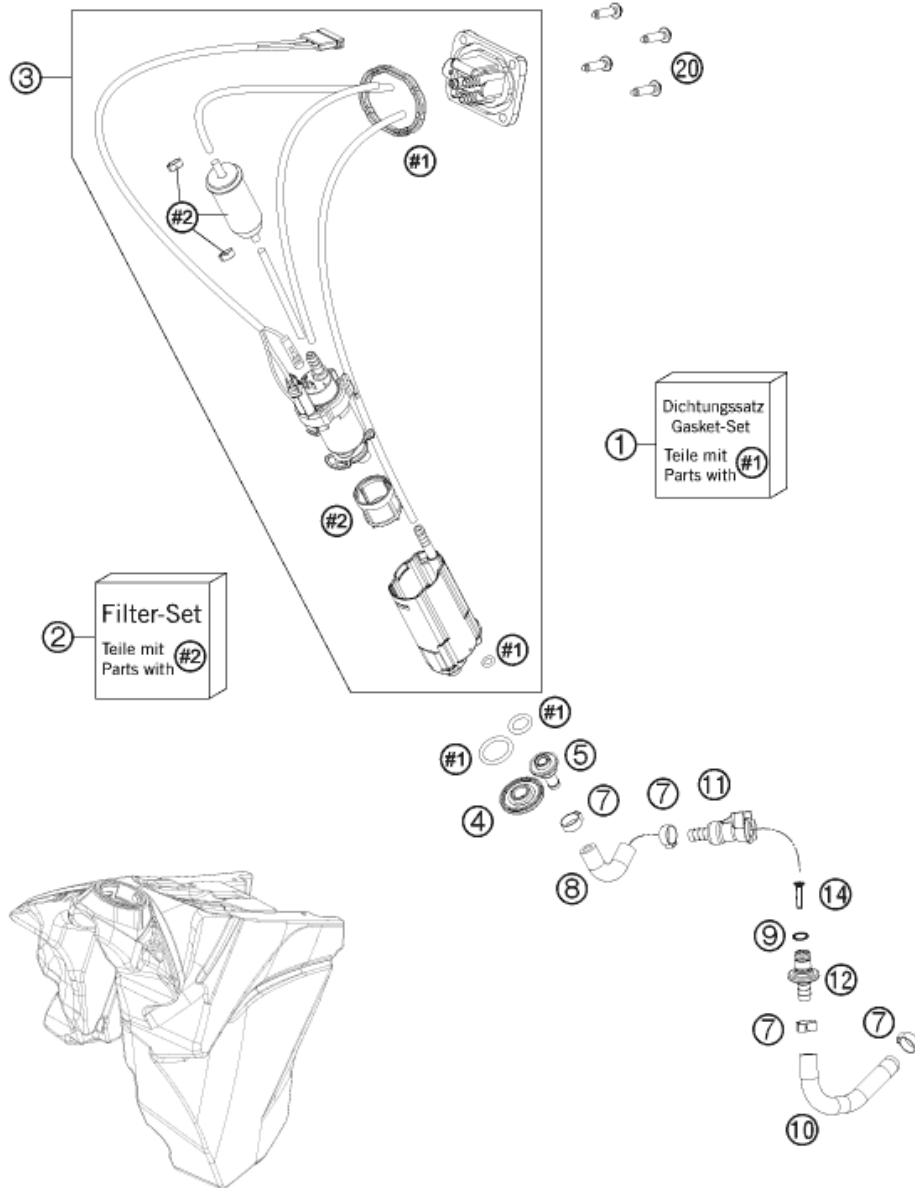


POS	PARTNUMBER	PARTNAME	PIECE
2	50307011000	SCREW SEAT FASTENING D=6X23/18	1
7	78007000270	PVC-HOSE 5,6X10X270MM	1
8	78107008044X4	TANK PLUG CPL. 14	1
12	7740701304499	FUEL TANK CPL. 9L EFI EXC	1
14	50307014000	TANK ROLLER 12X26X12 '98	3
18	0017060206	SCREW F. PLASTIC K60X20AL SW6	8
22	51030022000	ANGLE PIECE 90 DEGREE M10X1	1
35	77207040300	SEAT "SIXDAYS" 2014	1
38	77207940550	SEAT COVER	1
50*	7770805400028D	SPOILER KIT SIX DAYS 2015 WITH DECAL	1
52	50308052000	BUSH FOR SPOILER 6X11X16X5 MM	2
61	0025060206	HH COLLAR SCREW M6X20 TX30	2
62	0026060136	COLLAR SCREW M6X13 ISA30	3

127750710

C157770713

* NEW PART X ON DEMAND



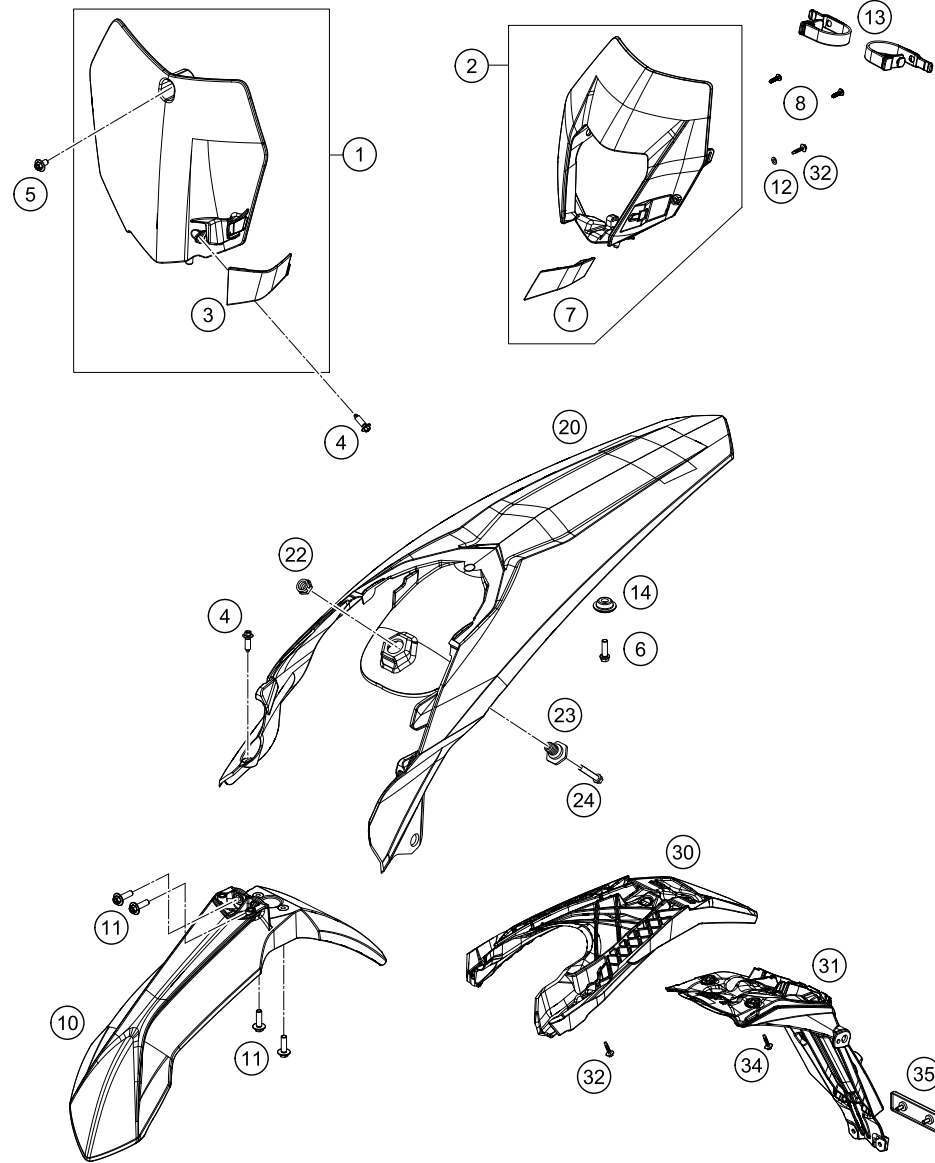
POS	PARTNUMBER	PARTNAME	PIECE
1	78107089000	GASKET KIT	1
2	81207090000	FILTER KIT	1
3	78107088000	FUEL PUMP CPL. EXC	1
4	78107088014	NUT F. FUEL PUMP M12	1
5	78107088017	FUEL CONNECTOR M8	1
7	00050157706	VARIABLE ONE-EAR CLAMP 15,7MM	4
8	77407116100	FUEL HOSE TANK	1
9	58507012000	O-RING VITON F. PLUG CPC 05	1
10	77407016100	FUEL HOSE PREFORMED DKK	1
11	5850701050030	CLUTCH CPC BLACK 05	1
12	77707010000	CONNECTOR FUEL PUMP	1
14	78141013190	FUEL FILTER	1
20	0017060255	EJOT PT SCREW K60X25-Z SW6	4

137740730

C157740730

* NEW PART

X ON DEMAND



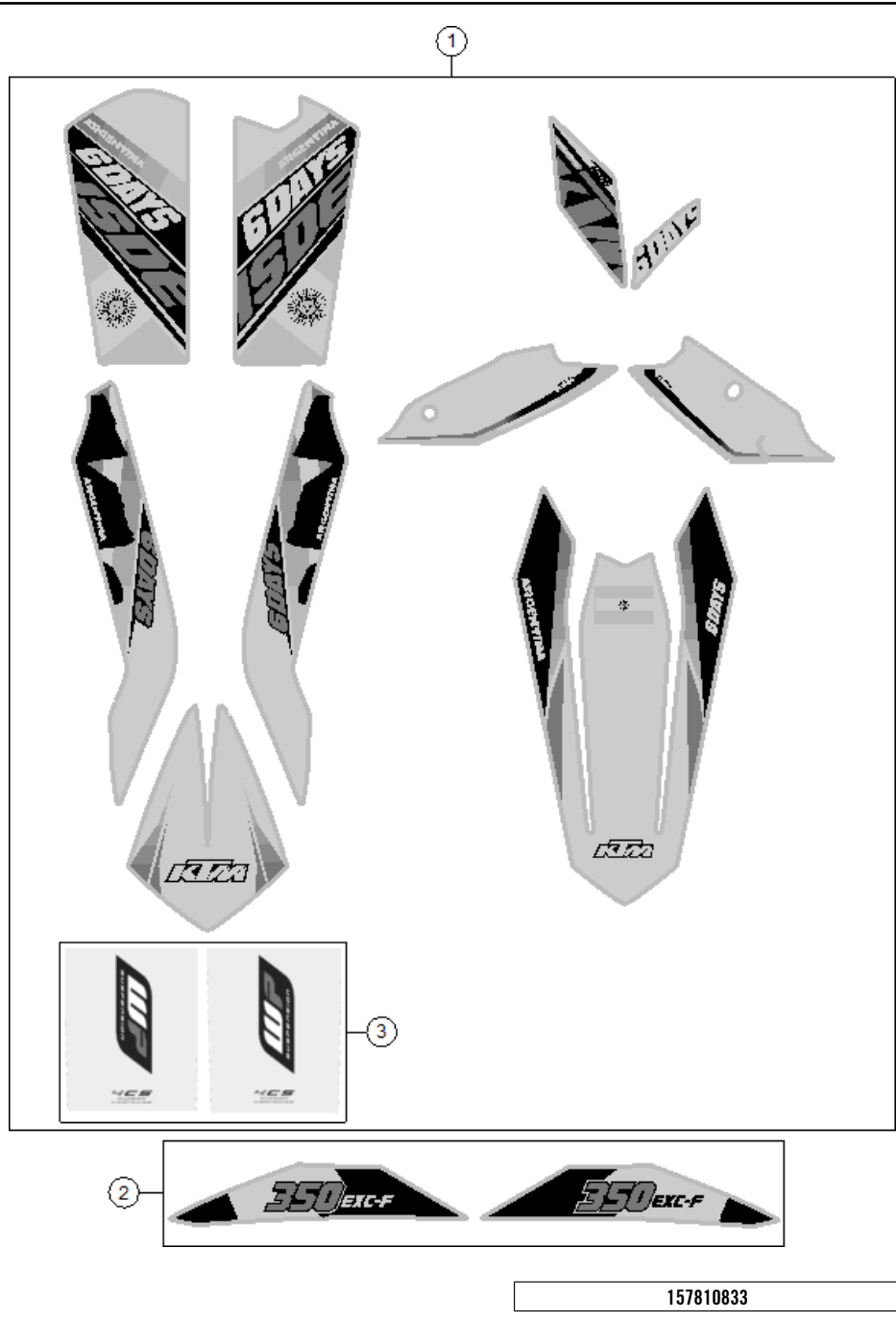
POS	PARTNUMBER	PARTNAME	PIECE
1	7770800704428	START NUMBER PLATE WHITE SX 13	1
2	7810800100028	HEAD LIGHT MASK WHITE 2014	1
3	7770802200030	BRAKE HOSE GUIDE BLACK 13	1
4	0017060206	SCREW F. PLASTIC K60X20AL SW6	2
5	0024060106	HH COLLAR SCREW M6X10 TX30	1
6	0025060206	HH COLLAR SCREW M6X20 TX30	2
7	7810802200028	BRAKE HOSE GUIDE WHITE	1
8	0081050181	SCREW FOR PLASTIC K50X18 T20	3
10	7770801000028	FRONT FENDER WHITE	1
11	0025060166	HH COLLAR SCREW M6X16 TX30	4
12	0125060003	WASHER DIN0125-A 6,4	1
13	78108003000	MASK RUBBER	2
14	77308013010	COLLAR BUSH. F.REAR FENDER 07	2
20	7810801300028	REAR FENDER WHITE	1
22	50314057050	COLLAR NUT M12X1/WS17 H=5MM	1
23	54807048000	BUSHING FOR SEAT FASTENING 03	1
24	0025060256	HH COLLAR SCREW M6X25 TX30	1
30	78108016000	NUMBER PLATE CARRIER TOP	1
31	78108016050	NUMB.PLATE CARRIER BOTTOM	1
32	0017060205	SCREW FOR PLASTIC K60X20 SW6	3
34	0017060305	SPECIAL SCREW K60X30 WS=6	2
35	58412080000	REFLECTOR RED	1

145030810

C155030812

* NEW PART

X ON DEMAND



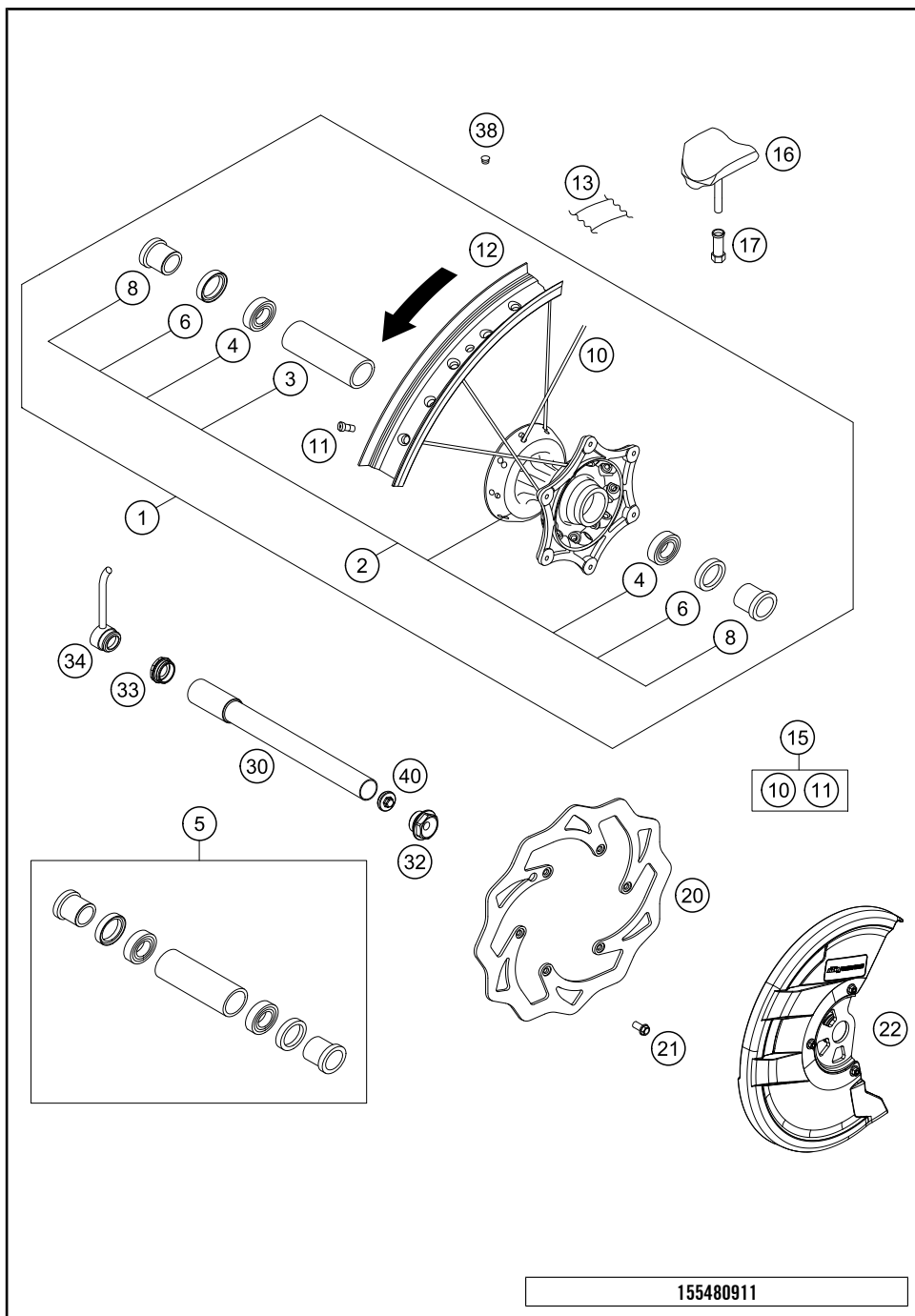
157810833

POS	PARTNUMBER	PARTNAME	PIECE
1*	78708990400	DECAL KIT SIX DAYS ARGENTINIA	1
2*	78108196400	DECAL REARPART 350 EXC-F SD 15	1
3	52000115	STICKER FRONT FORK-SET WP"4CS"	1

C157810833

* NEW PART

X ON DEMAND

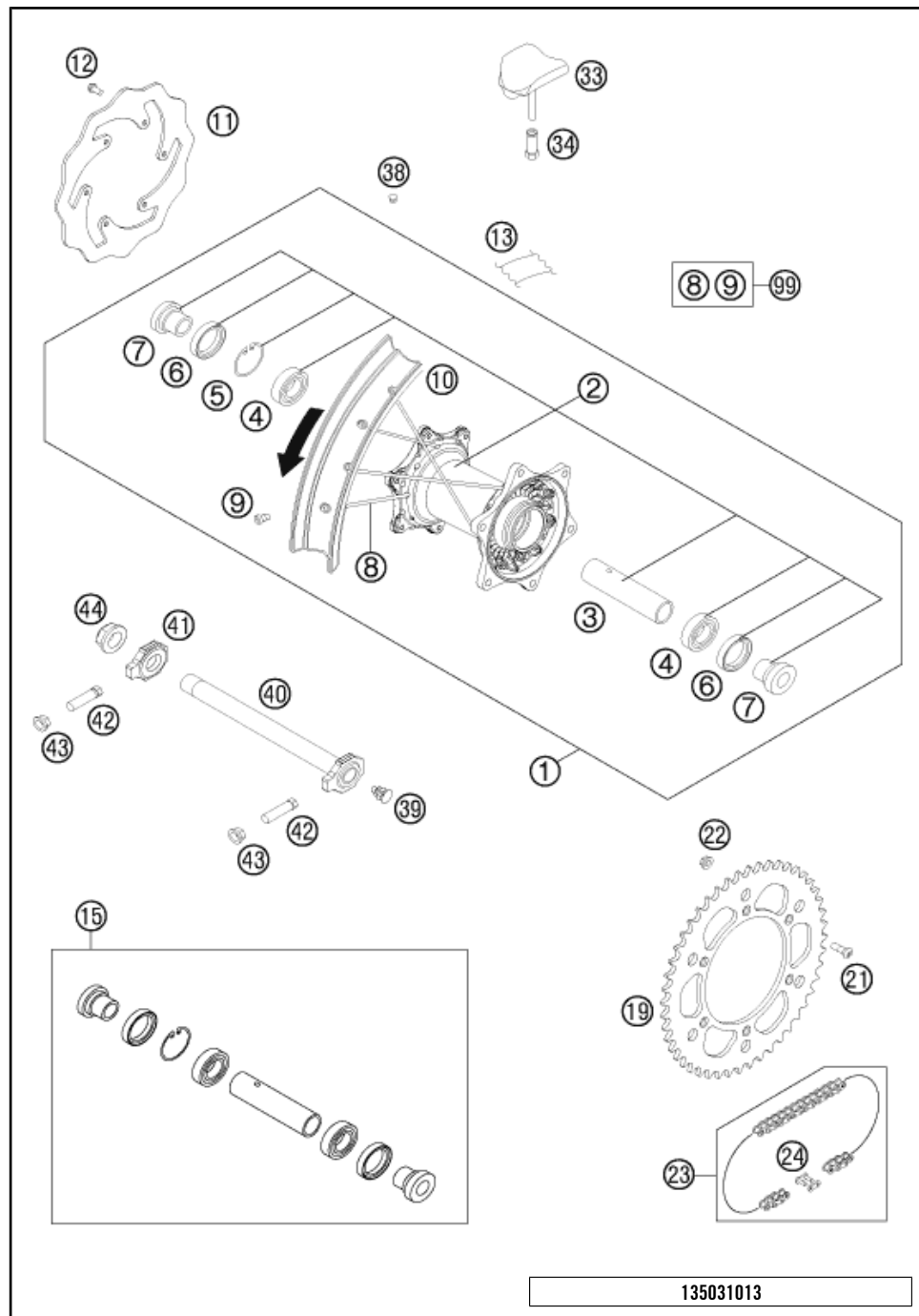


POS	PARTNUMBER	PARTNAME	PIECE
1*	7810900144430	FRONT WHEEL CPL.1.6X21"GIANT6D	1
2*	77709010044	FRONT WHEEL HUB CPL.	1
3	54809011000	BEA.SPACERTUBE 35X2 L=79,4 03	1
4	0625069068	GR.BALL BEAR.6906 DDU2CG23S6NM	2
5	78009015000	FRONT WHEEL REP. KIT	1
6	0760354771	SHAFT SEAL RING 35X47X7 TC	2
8	78009012000	SPACER BUSHING F. FR. WHEEL 08	2
10	7710907122630	SPOKE M4,5X226- 21" BLACK 12	36
11	77109072000	SPOKE NIPPLE M4,5 AL 11	36
12	7810907010030	RIM FRONT 1,6X21" BLACK	1
13	50309073000	RIM BAND 21"	1
15	00050000954	SPOKE KIT FRONT "21" BLACK	x
16	78109090000	RIM LOCK 1,60"	1
17	77110090050	NUT FOR WHEEL HOLDER	1
20*	77709160000	BRAKE DISC FRONT D=260MM	1
21	59009062013	SPECIAL SCREW M6X13 WS=8 10.9	6
22*	7800906110030	BRAKE DISC GUARD CPL.	1
30	77309081000	WHEEL SPIN.FR. D=26 M24x1,5 07	1
32	54809082000	SPINDLE SCREW M24X1,5 WS=27 03	1
33	54809081050	PLUG BUSHING WS=27 03	1
34	54809081060	FRONT AXLE PULL 26MM 04	1
38	55003135000	PLUG FOR RIM	x
40	54809081070	AUXILIARY SCREW FRONT 06	1

155480911

C155480912

* NEW PART X ON DEMAND



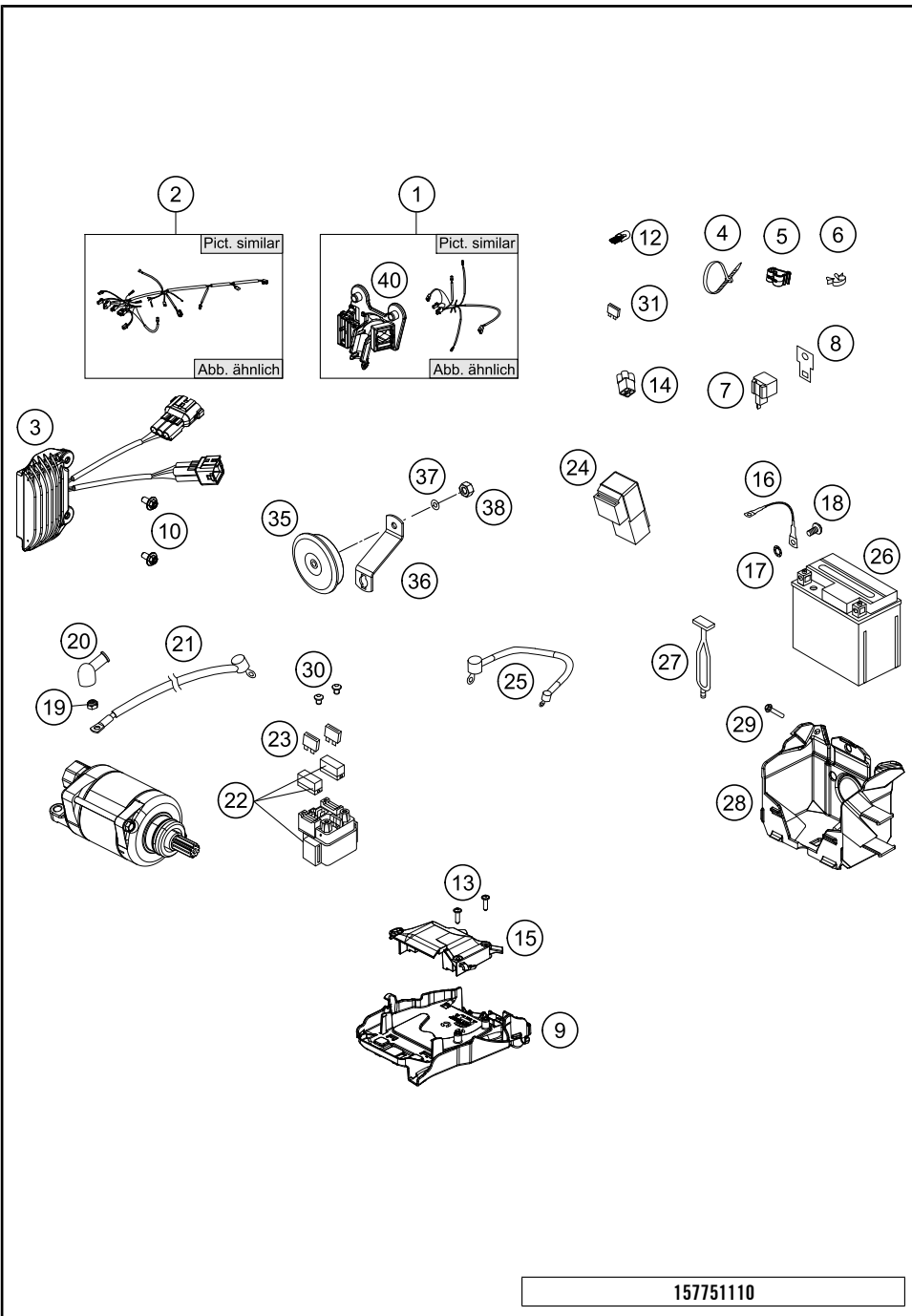
135031013

POS	PARTNUMBER	PARTNAME	PIECE
1	7811000114430	RE.WHEEL CPL.2,15X18"BLK.SD 13	1
2	78010010144	REAR WHEEL HUB CPL.	1
3	59010011000	% BUSH. SPACER TUBE 121,5MM 01	1
4	0625060058	GR.BALL BEAR.6005 DDU2CG23S6NM	2
5	0472047175	CIRCLIP DIN0472-47X1,75	1
6	0760324771	SHAFT SEAL RING 32X47X7 BSL	2
7	78010016000	BUSHING FOR HUB 08	2
8	7711007119330	SPOKE M4,5X193- 18" BLACK 12	36
9	77109072000	SPOKE NIPPLE M4,5 AL 11	36
10	7811007010030	RIM REAR 2,15X18" BLACK	1
11	78010960000	REAR BRAKE DISK	1
12	59009062013	SPECIAL SCREW M6X13 WS=8 10.9	6
13	50310073200	RIM BAND 18" AND 19"	1
15	78010015000	REAR WHEEL REP. KIT	x
19	5841005103804	REAR SPROCKET ORANGE 38-T	x
19	5841005104004	REAR SPROCKET ORANGE 40-T	x
19	5841005104204	REAR SPROCKET ORANGE 42-T	x
19	5841005104404	REAR SPROCKET ORANGE 44-T	x
19	5841005104804	REAR SPROCKET ORANGE 48-T	x
19	5841005104904	REAR SPROCKET ORANGE 49-T	x
19	5841005105004	REAR SPROCKET ORANGE 50-T	1
19	5841005105104	REAR SPROCKET ORANGE 51-T	x
19	5841005105204	REAR SPROCKET ORANGE 52-T	x
21	0019080266S	COUNTER-SUNK SCREW ISA45 M8X26	6
22	06923080003	HEXAGON NUT DIN EN1661 M8 SW13	6
23	78010167118	CHAIN DID 118 ROLLS	1
24	78010166000	CONNECTING LINK F. 78010167118	1
33	78110090000	RIM LOCK 2,15"	1
34	77110090050	NUT FOR WHEEL HOLDER	1
38	55003135000	PLUG FOR RIM	x
39	50210086000	COVERING CAP SFL16	x
40	77310085044	WHEEL SPINDLE RE. CPL.265MM 07	1
41	50310084000	CHAIN TENSIONER R/S 2000	1
42	50304040100	SCREW M10X1,25X50 WS=10	2
43	58414030000	HH COLLAR NUT M10X1,25 WS=13	2
44	50310099000	HEXAGON NUT M20X1,5 '98	1
99	00050000958	SPOKE KIT REAR 18" BLACK	x

C145031013

* NEW PART

X ON DEMAND

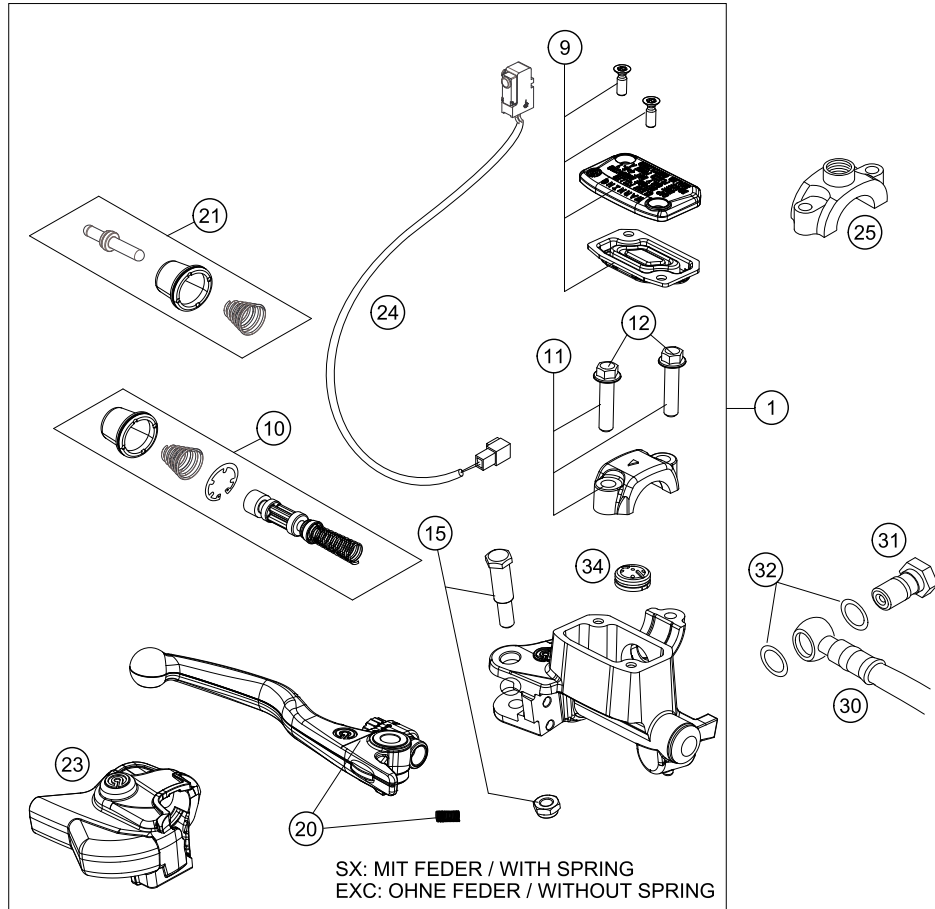


POS	PARTNUMBER	PARTNAME	PIECE
1	77711079000	WIRING HARNESS LIGHT CPL. EU	1
2	78111075133	WIRING HARN.EFI VMT. EU/AUS 14	1
3	78111034000	VOLTAGE REGULATOR	1
4	44011076140	CABLE TIE 140/2,5MM BLACK	x
4	44011076200	CABLE TIE 200/3,6MM BLACK	x
4	44011076305	CABLE TIE 300/4,8MM BLACK	x
5	83013026000	CABLE GUIDE	2
6	57013072100	WIRING HOLDER 16MM	1
7*	76511030000	FLASHER UNIT	1
8	58211031100	BRACKET FOR FLASHER RELAY	1
9	77711094000	ELECTRIC BOX	1
10	0023060123	COLLAR SCREW M6X12 TX	2
12	49111425200	BULB 12V 2,3W (W2X4,6D)	2
13	0081050181	SCREW FOR PLASTIC K50X18 T20	2
14	81211096000	DUMMY PLUG AN 4-PIN	1
15	77711094050	ECU SPLASH PROTECT.	1
16	58411097100	GROUND CABLE D=6MM L=140MM '97	1
17	58411098100	CONTACT WASHER M6 VSV-K6	1
18	0009050106	EJOT SPIRAL SCREW SF M5X10-K	1
19	0985060003	SELF LOCK. NUT DIN0985-M 6	1
20	77240099000	PROTECTION CAP F. STARTER ENG.	1
21	58411059100	STARTERCABLE 700 MM '97	1
22	58211058000	STARTER RELAY 12V '99	1
23	58011109120	FUSE 20 A	2
24	61111057000	RELAY CM1A-R-12V-H80 07	2
25	58711086000	WIRING HARNESS BATTERY DUKE'99	1
26	77311053000	BATTERY 12V 3AH YTX4L-BS	1
27	50303018000	RUBBER L=145MM	1
28	77211055000	BATTERY BOX	1
29	0017060205	SCREW FOR PLASTIC K60X20 SW6	3
30	0902060083	AH OVAL SCREW ISO 7380 M 6X8	2
31	75011088005	FUSE MINI 5A	x
31	75011088010	FUSE 10A 07	x
35	50311060200	DC HORN 12V 07	1
36	78011061000	HORN BRACKET EXC 08	1
37	0125050003	WASHER DIN0125-A 5,3	1
38	0934050003	HEXAGON NUT DIN0934-M 5	1
40	77711083000	SUPPORT BRACKET	1

157751110

C157751112

* NEW PART X ON DEMAND



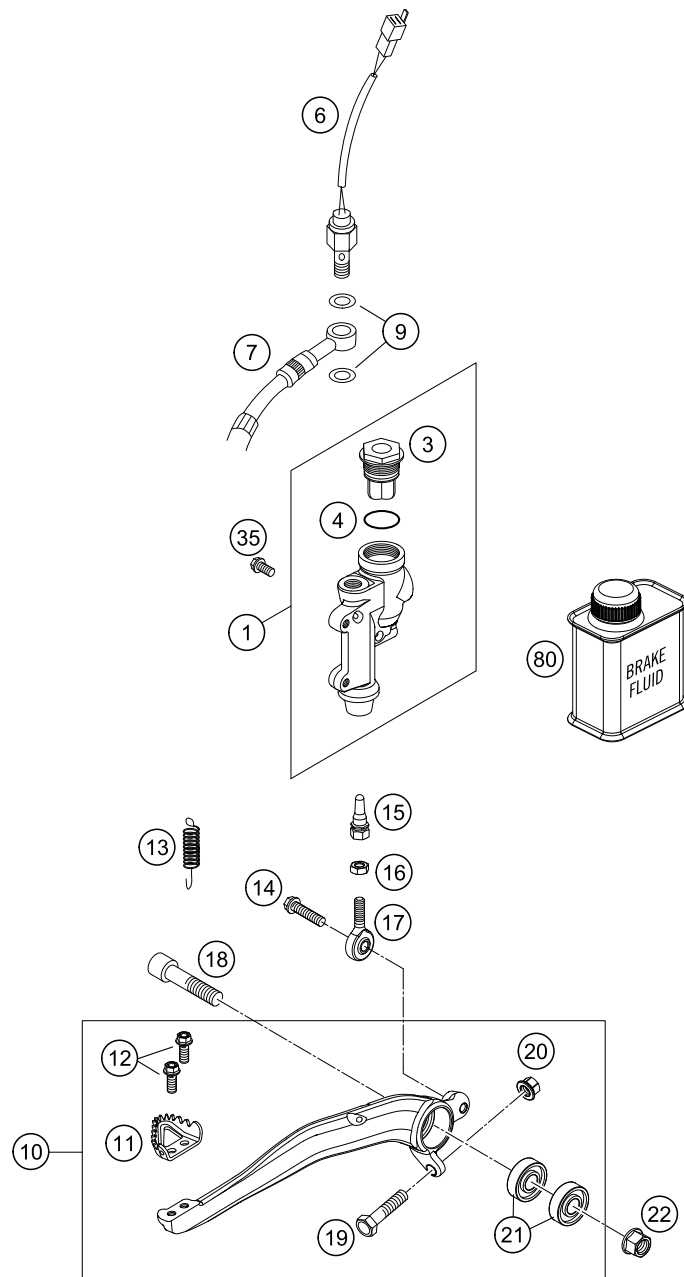
POS	PARTNUMBER	PARTNAME	PIECE
1	77713001144	HAND BREAK CYLIND. CPL. EXC 14	1
9	77713003000	HAND BRAKE CYL. COVER	1
10	77713008100	REPAIR KIT PISTON EXC 2014	1
11	50313005000	CLAMP CPL. NATURE	1
12	0025060256	HH COLLAR SCREW M6X25 TX30	2
15	77713006000	LEVER SCREW	1
20	77713002000	HAND BRAKE LEVER +SPRING SX 14 SX WITH SPRING,EXC WITHOUT SP	1
21	77713007100	PUSH ROD CPL. EXC 2014	1
23	77713004000	PROTECTION CAP HAND BRAKE CYL.	1
24	77711050000	BREAK LIGHT SWITCH FRONT 2014	1
25	58012040150	CLAMP FOR MIRROR '94	1
30	59013011000	BRAKEHO. FRONT 1300MM 2000	1
31	54813020100	HOLLOW SCREW BLACK M10X1X19	1
32	0603100141	COPPER GASKET DIN7603-10X14X1	2
34	54802051000	VALVE	1
80	00062030000	BRAKE FLUID DOT5.1 0,25L	1

145031310

C148131310

* NEW PART

X ON DEMAND



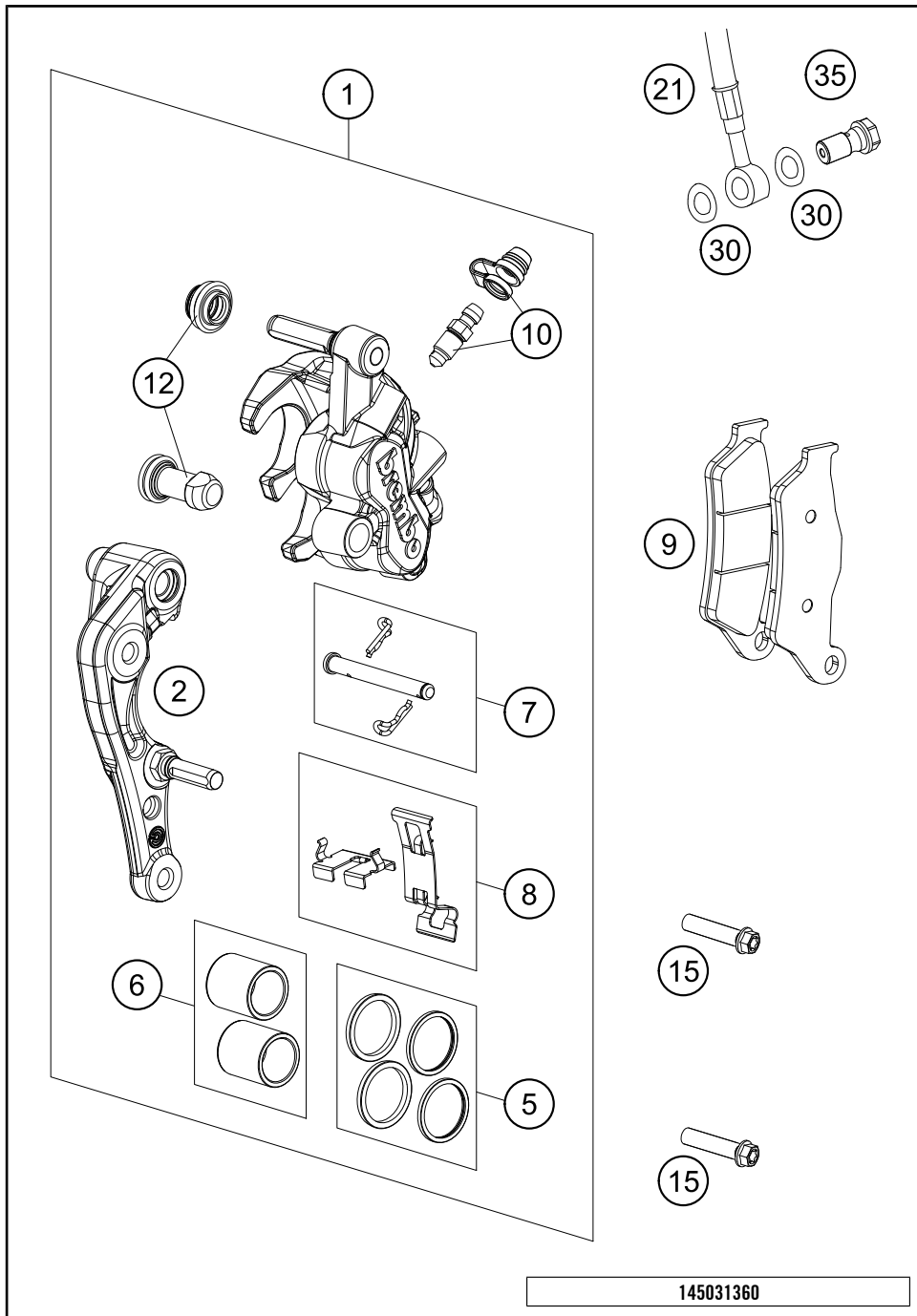
POS	PARTNUMBER	PARTNAME	PIECE
1	77013060044	REAR BRAKE CYLINDER CPL.SX 09	1
3	54813062100	REAR BRAKE CYL. COVER CPL. 04	1
4	54813063000	FOOT-BRAKE CYL. GASKET SX 03	1
5	50311051100	BRAKE LIGHT SWITCH REAR '98	1
7*	54813070100	BRAKE HOSE REAR 655MM 15	1
9	0603100141	COPPER GASKET DIN7603-10X14X1	2
10	77213050044	FOOT BRAKE LEVER CPL.	1
11	54813051000	STEP PLATE FOR BRAKE LEVER	1
12	0025050126	HH COLLAR SCREW M5X12 TX30	2
13	54603062000	% RETURN SPRING FOR BRAKELEVER	1
14	0025060206S	HH COLLAR SCREW M6X20 TX30	1
15	54813056000	PUSH ROD L=28MM 03	1
16	0985060003	SELF LOCK. NUT DIN0985-M 6	1
17	54813055000	SWIVEL HEAD KA6 03	1
18	0032100406S	AH-COLLAR SCREW M10X40 ISA45	1
19	59001037000	SPECIAL SCREW M8X26 WS=10	1
20	46030045000	COLLAR NUT M8 WS=10	1
21	0625060002	BALL BEARING SKF 6000-2RS1	2
22	54630044000	COLLAR NUT M10 WS=13	1
35	0025060126	HH COLLAR SCREW M6X12 TX30	2
80	00062030000	BRAKE FLUID DOT5.1 0,25L	1

155031330

C155031331

* NEW PART

X ON DEMAND

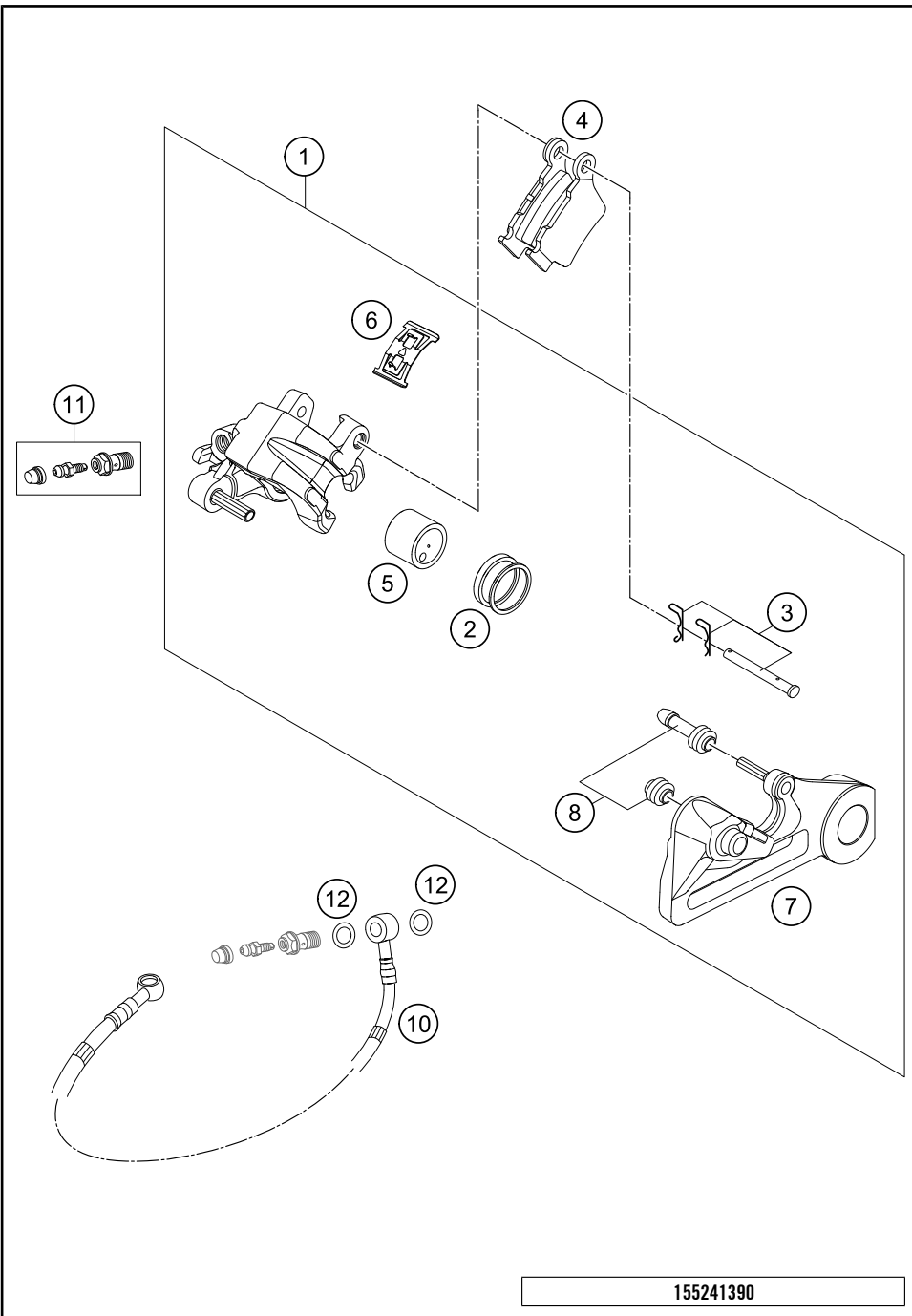


POS	PARTNUMBER	PARTNAME	PIECE
1	7701301500101	CALIPER NAT. WITHOUT PADS	1
2	77013014000	BRAKE CALIPER SUPPORT FRONT 09	1
5	77013021000	REP. KIT SEALS 24MM	1
6	77013019000	REP. KIT PISTON 24MM	1
7	77013017000	BOLT CPL. 09	1
8	77013018000	RETAINING PLATE SET BREMBO	1
9	77713030000	BRAKE PADS FRONT	1
10	61013020100	BLEEDER SCREW WITH CAP	1
12	54613218000	CUP SET SHORT	1
15	0025080356S	HH COLLAR SCREW M8X35 TX40	2
21	59013011000	BRAKEHO. FRONT 1300MM 2000	1
30	0603100141	COPPER GASKET DIN7603-10X14X1	2
35	50213025000	HOLLOW SCREW M10X1X19	1

145031360

C155031361

* NEW PART X ON DEMAND

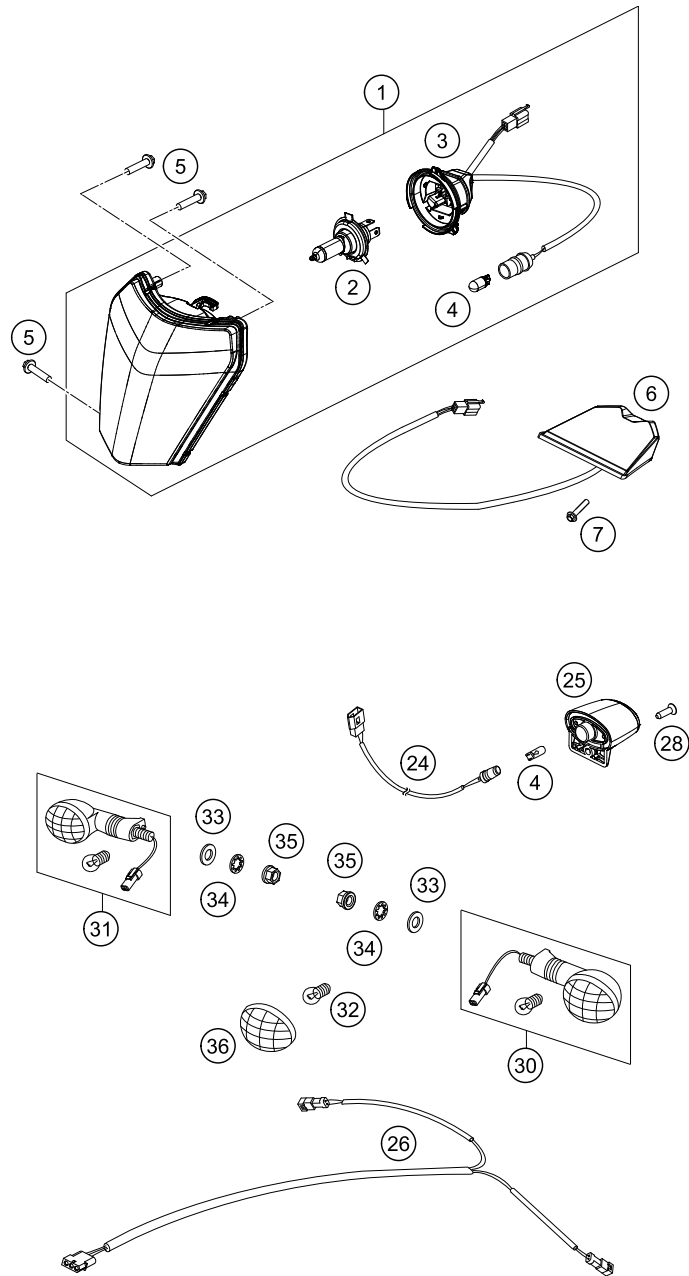


POS	PARTNUMBER	PARTNAME	PIECE
1	54813080101	BRAKE CAL. RE. - WITHOUT PADS	1
2	50313081200	REPAIR KIT SEALING RINGS 26MM	1
3	54813082000	BOLT SET FOR BRAKE CALIPER 03	1
4	54813090300	BRAKE PAD SET REAR TOYO	1
5*	77713083000	BRAKE PISTON 26MM 2013	1
6	54813018000	RETAINING SPRING SET 2003	1
7	54813075000	BRAKE CALIPER SUPPORT REAR	1
8	54613218000	CUP SET SHORT	1
10*	54813070100	BRAKE HOSE REAR 655MM 15	1
11	62513020000	BLEEDER SCREW CPL. 05	1
12	0603100141	COPPER GASKET DIN7603-10X14X1	2

155241390

C155241390

* NEW PART X ON DEMAND



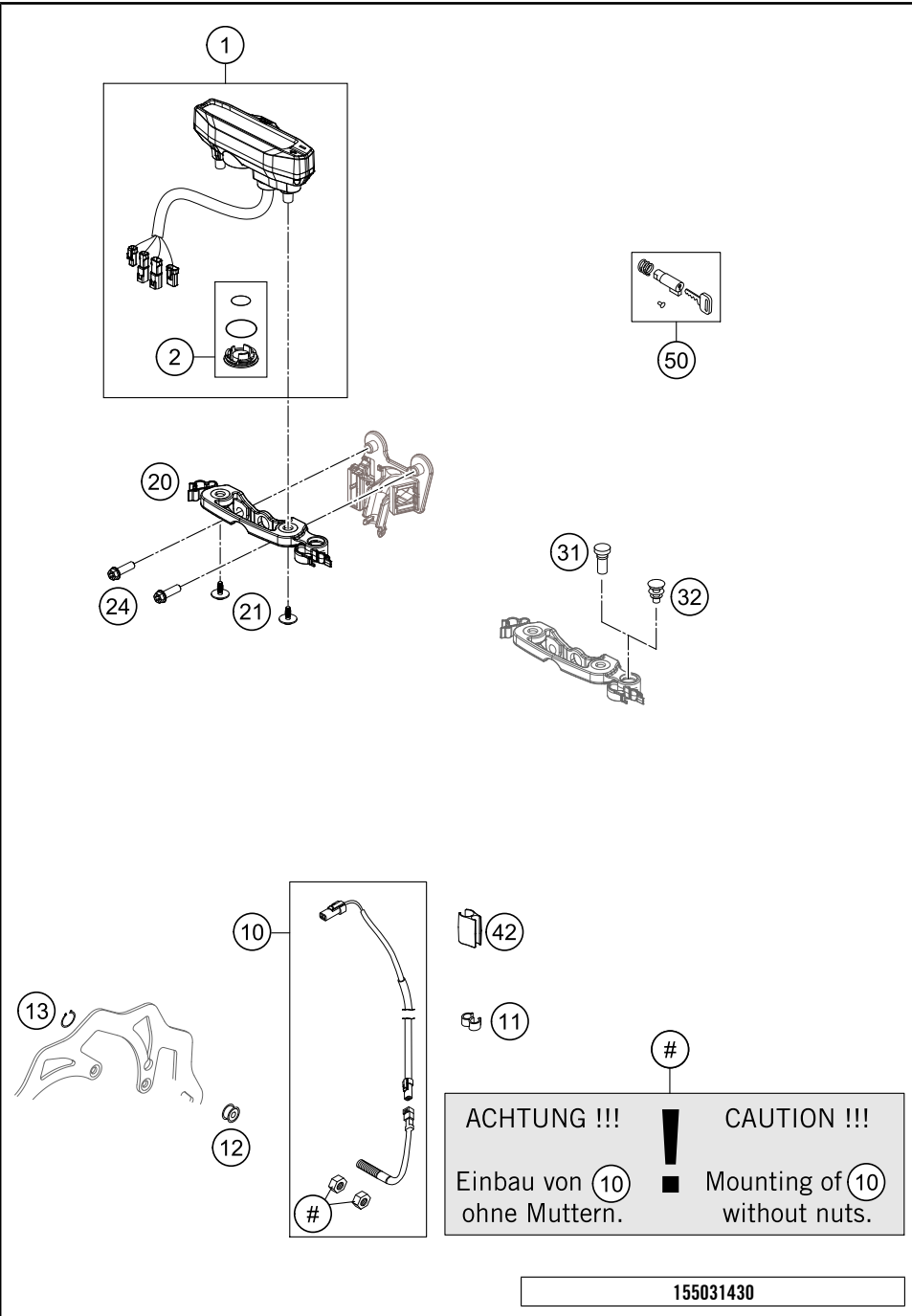
147751410

POS	PARTNUMBER	PARTNAME	PIECE
1	78114001000	HEAD LIGHT CPL. 2013	1
2	54611038012	BULB HS1 12V 35/35W WHITE	1
3	78114001050	LAMP BRACKET CPL. 2014	1
4	49011435100	BULB 12V 5W (W2,1X9,5D) PHIL.	2
5	0081050181	SCREW FOR PLASTIC K50X18 T20	3
6	78114040000	REAR LIGHT	1
7	0017060255	EJOT PT SCREW K60X25-Z SW6	2
24	76511078000	WIRING HARN. LIC. PLATE ILLUM.	1
25	75014047000	LICENSE PLATE ILLUMINATION 07	1
26	77711081000	FLASHER WIR. HARNESS 14	1
28	0081250181	SCREW FOR PLASTIC 50X18 T20	1
29	0017060253	%EJOT PT SCREW K60X25-Z SW6	2
30	54814025200	FLASHER CPL. FR.L/S RE.R/S 09	2
31	54814026200	FLASHER CPL. FR.R/S RE.L/S 09	2
32	44111015100	BULB 12V 10W (BA15S)	4
33	0125100003	WASHER DIN0125-A10,5	4
34	0797100003	LOCK WASHER DIN6797-J10,5 ZI	4
35	58414030000	HH COLLAR NUT M10X1,25 WS=13	4
36	54814028000	FLASHER LENS L/S R/S 05	4

C157751413

* NEW PART

X ON DEMAND



POS	PARTNUMBER	PARTNAME	PIECE
1*	77714069200	SPEEDOMETER REPROGRAMMABLE: KM/H - MPH	1
2*	77714069010	BATTERY COVER F. SPEEDOMETER	1
10	54814068100	CABLE FOR DIGITAL SPEEDOM. 06	1
11	60111094000	CLIP 5/7 MM 06	3
12	54814069050	MAGNET FOR DIGITAL SPEEDOM. 03	1
13	0471009104	CIRCLIP DIN0471- 9X1 INOX	1
20	77714060000	SPEEDOMETER BRACKET EXC/XCW 14	1
21	0081645121	EJOT DELTA PT SCREW 45X12-Z	2
24	0024060206	HH COLLAR SCREW M6X20 TX30	2
31	58011024300	FLASHER INDICAT.LIGHT GREEN'98	1
32	50210086000	COVERING CAP SFL16	1
42	54813026000	CABLE SUPPORT 10/6MM 06	2
50	78003035000	STEERING HEAD LOCK 08	1

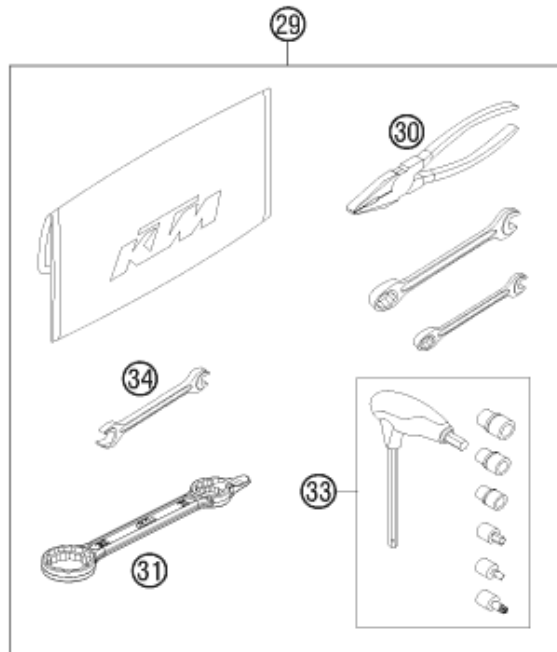
155031430

C155031431

* NEW PART X ON DEMAND

0
OHNE ABBILDUNG
WITHOUT ILLUSTRATION

1
TECHNISCHE DOKUMENTATION
TECHNICAL DOCUMENTATION
DOCUMENTACION TECNICA
DOCUMENTATION TECHNIQUE
NOTE TECNICHE



POS	PARTNUMBER	PARTNAME	PIECE
0	312313	KTM BALLPOINT PEN ORANGE	1
0	3210039	* CUSTOMER WELCOME LETTER	1
0	312305	DOCUMENTS BAG 2006	1
0	78003040033	FOOTREST L/S + R/S CPL. 09	1
0	77311053000	BATTERY 12V 3AH YTX4L-BS	1
0	58411098100	CONTACT WASHER M6 VSV-K6	2
0	0025050126	HH COLLAR SCREW M5X12 TX30	2
0	0025060306	HH COLLAR SCREW M6X30 TX30	2
0	50208020000	SPACER BUSHING 7X10X7,5	2
0	77203094000	PLASTIC FRAME PROTECTION SET	1
0	77235936100	% RADIATOR PROTECTOR CPL.	1
0	77503190000	SKID PLATE CPL.	1
0	00062030019	AIR FILTER OIL 100ML	1
0	58412080000	REFLECTOR RED	1
0	0019080206S	FLAT HEAD SCREW M. ISA45 M8X20	1
0	77405009065	PLUG SCREW M12X1,25 WS17	1
0	58012040000	REAR MIRROR L/S	1
0	58012140000	REAR MIRROR R/S	1
0	58012040150	CLAMP FOR MIRROR '94	2
0	77229072000	SPARK PLUG WRENCH	1
0	00063004202	PRINT LABEL 60X51 MM	1
0	52000115	STICKER FRONT FORK-SET WP"4CS"	1
0	78108016050	NUMB.Plate CARRIER BOTTOM	1
0	77712099300	ACCESSORIES FLASHER SD 2015	1
0	54809081060	FRONT AXLE PULL 26MM 04	1
0	50033029013	FRONT SPROCKET 13-T	1
0	7770217900028	HAND GUARDS CPL. L/S+R/S WHITE	1
0	77202002144	BAR PAD CPL.	1
0	3212455GB	POWER WEAR FOLDER 2013	1
0	3212457DE/GB	PP OFFROAD FOLDER 2013	1
0	81212016100	WASH CAP SET	1
0	81211096000	DUMMY PLUG AN 4-PIN	1
0	78107990100	FUEL FILTER	1
0	78141013190	FUEL FILTER	3
0	77203996000	SPROCKET COVER 350 CPL.	1
0	7800906110030	BRAKE DISC GUARD CPL.	1
0	77532975000	CASE GUARD	1
0	54812063044	REAR BRAKE PEDAL SAFETY WIRE	1

125482000

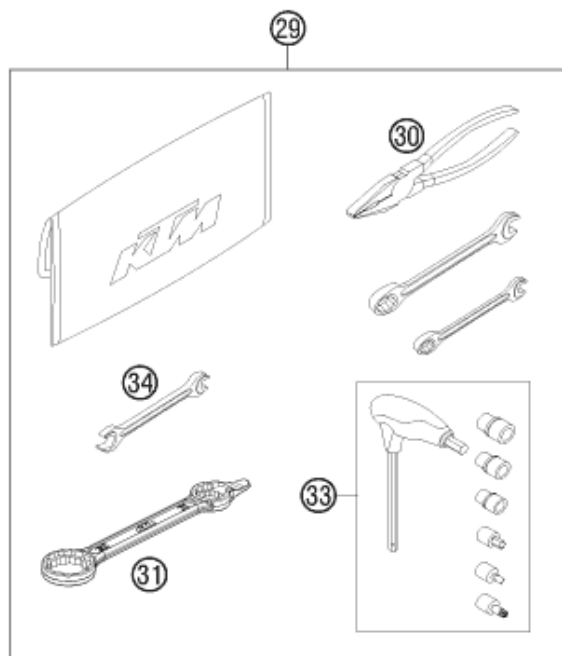
C157752006

* NEW PART

X ON DEMAND

0
OHNE ABBILDUNG
WITHOUT ILLUSTRATION

1
TECHNISCHE DOKUMENTATION
TECHNICAL DOCUMENTATION
DOCUMENTACION TECNICA
DOCUMENTATION TECHNIQUE
NOTE TECNICHE



POS	PARTNUMBER	PARTNAME	PIECE
0	5021204000030	MIRROR L/S BLACK ACERBIS '97	1
1	3213179EN	OWN. MAN. 350 XCF-W/EXC-F 15	1
29	54829099100	TOOL KIT 2012	1
30	53012028200	GRIP ORANGE B&F	1
31	50329080100	WRENCH SW=17/21/27/32 B&F	1
33	60029070300	T-WRENCH WS=6/8/10/TX45/SK4X1	1
34	50329072000	SPOKE-SPANNER WS 7/10	1

125482000

C157752006

* NEW PART

X ON DEMAND



- ⑤ Ø 5 mm
- ⑥ Ø 6 mm
- ⑧ Ø 8 mm
- ⑩ Ø 10 mm
- ⑫ Ø 12 mm
- ⑭ Ø 14-14,5 mm
- ⑯ Ø 16 mm
- ⑳ Ø 20 mm
- ㉑ Ø 21 mm
- ㉒ Ø 22 mm
- ㉓ Ø 23 mm
- ㉔ Ø 24,5 mm
- ㉘ Ø 28,5 mm
- ㉚ Ø 32 mm
- ㉜ Ø 52 mm

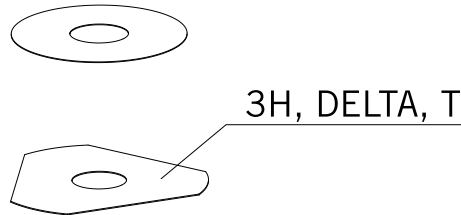
POS	PARTNUMBER	PARTNAME	PIECE
5	44906890	WASHER 5X15X2	X
6	40540400	SHIM 6X12X0,1	X
6	40540401	SHIM 6X14X0,1	X
6	40540402	SHIM 6X16X0,1	X
6	40540403	SHIM 6X18X0,1	X
6	40540404	SHIM 6X12X0,15	X
6	40540405	SHIM 6X14X0,15	X
6	40540406	SHIM 6X16X0,15	X
6	40540407	SHIM 6X18X0,15	X
6	40540408	SHIM 6X12X0,2	X
6	40540409	SHIM 6X14X0,2	X
6	40540410	SHIM 6X16X0,2	X
6	40540411	SHIM 6X18X0,2	X
6	48600095	* SHIM 6X20X0,20	X
6	40540412	SHIM 6X12X0,25	X
6	40540413	SHIM 6X14X0,25	X
6	40540414	SHIM 6X16X0,25	X
6	40540415	SHIM 6X18X0,25	X
6	40540417	SHIM 6X8,5X0,10	X
6	40540418	SHIM 6X9X0,10	X
6	40540419	SHIM 6X9,5X0,10	X
6	40540423	SHIM 6X9,5X0,15	X
6	40540425	SHIM 6X8,5X0,20	X
6	40540426	SHIM 6X9X0,20	X
6	40540427	SHIM 6X9,5X0,20	X
6	40540447	SHIM 6X10X0,3	X
6	40540449	SHIM 6X9X0,3	X
6	40540450	SHIM 6X9,5X0,3	X
6	40540494	SHIM 6X18X0,4	X
6	40540774	SHIM 6X18X0,1 DELTA	X
6	40541383	SHIM 6X11X0,1	X
6	40541391	SHIM 6X11X0,3	X
6	40541402	SHIM 6X11X0,2	X
6	40541403	SHIM 6X10X0,20	X
6	40541404	SHIM 6X10X0,1	X
6	40541405	SHIM 6X10X0,15	X
6	40541406	SHIM 6X11X0,15	X
6	40541408	SHIM 6X8,0X0,30	X

080000190

C130009090

* NEW PART

X ON DEMAND



- ⑤ Ø 5 mm
- ⑥ Ø 6 mm
- ⑧ Ø 8 mm
- ⑩ Ø 10 mm
- ⑫ Ø 12 mm
- ⑭ Ø 14-14,5 mm
- ⑯ Ø 16 mm
- ⑳ Ø 20 mm
- ㉑ Ø 21 mm
- ㉒ Ø 22 mm
- ㉓ Ø 23 mm
- ㉔ Ø 24,5 mm
- ㉘ Ø 28,5 mm
- ㉚ Ø 32 mm
- ㉜ Ø 52 mm

POS	PARTNUMBER	PARTNAME	PIECE
6	40541414	SHIM 6X8,0X0,10	X
6	40541416	SHIM 6X8X0,3	X
6	40541417	SHIM 6X11X0,25	X
6	48600102	* SHIM 6X24X0,25	X
6	48600063	SHIM 6X24X0,1	X
6	48600064	SHIM 6X22X0,1	X
6	48600065	SHIM 6X20X0,1	X
6	48600069	SHIM 6X20X0,15	X
6	48600100	SHIM 6X24X0,15	X
6	48600116	SHIM 6X24X0,1 DELTA	X
6	48600139	SHIM 6X22X0,1 DELTA	X
6	48600217	BACKPLATE 6X10X0,25	X
6	48600325	SHIM 6X13X0,1	X
6	48600327	SHIM 6X15X0,1	X
6	48600329	SHIM 6X17X0,1	X
6	48600331	SHIM 6X19X0,1	X
6	48600096	* SHIM 6X20X0,25	X
6	48600097	SHIM 6X22X0,15	X
6	48600099	* SHIM 6X22X0,25	X
6	40540448	BACKPLATE 6X8,5X0,30	X
6	48600479	SHIM 6X20X0,1 T/3H	X
6	48600332	SHIM 6X21X0,1	X
6	48600333	SHIM 6X23X0,1	X
6	40541393	* SHIM 6X12X0,3	X
6	48600330	SHIM 6X17X0,15	X
6	48600988	SHIM 6X28X0,10	X
6	48600989	SHIM 6X26X0,10	X
6	48601091	SHIM 6X28X0,15	X
6	48601093	SHIM 6X26X0,15	X
6	48600328		X
6	48600326		X
6	48601548		X
8	40540477	SHIM 8X18X0,4	X
8	43570120	SHIM 8X18X0,10	X
8	44916098	WASHER 8,4X16X0,8	X
8	44916130	WASHER 8,2X15X1	X
8	44916180	WASHER 8,2X11X1	X
8	48600214	SHIM 8X16X0,1	X

080000190

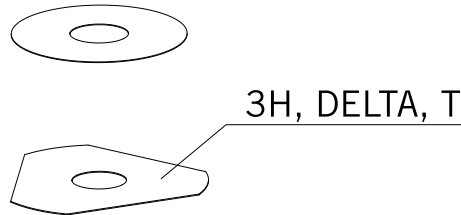
C130009090

* NEW PART

X ON DEMAND



- ⑤ Ø 5 mm
- ⑥ Ø 6 mm
- ⑧ Ø 8 mm
- ⑩ Ø 10 mm
- ⑫ Ø 12 mm
- ⑭ Ø 14-14,5 mm
- ⑯ Ø 16 mm
- ⑳ Ø 20 mm
- ㉑ Ø 21 mm
- ㉒ Ø 22 mm
- ㉓ Ø 23 mm
- ㉔ Ø 24,5 mm
- ㉘ Ø 28,5 mm
- ㉚ Ø 32 mm
- ㉜ Ø 52 mm



POS	PARTNUMBER	PARTNAME	PIECE
8	48600385	SHIM 8x14x0.25	X
8	48600346	SHIM 8X11X0,2	X
8	48600215	CHECK VALVE 8X20X0,1	X
8	48600485	SHIM 8X10X0,10	X
8	48601402	SHIM 8X13X0,10	X
8	48600350	CHECK VALVE 8X16X0,15	X
8	48600061	CHECK VALVE 8X24X0,4	X
8	48600062	CHECK VALVE 8X24X0,1	X
8	48600216	CHECK VALVE 8X22X0,1	X
8	48600480	SHIM 8X10X0,20	X
8	48600555	SHIM 8X16X0,20	X
8	48600213	SHIM 8X14X0,10	X
8	48600357	CHECK VALVE 8X11X0,1	X
8	48600351	CHECK VALVE 8X12X0,1	X
8	48600607	SHUTTLE VALVE 8X20X0,4	X
8	48601095	SHIM 8X17X0,10	X
8	48600352	CHECK VALVE 8X11X0,4	X
10	36120284	SHIM 10X16X0,10	X
10	36120298	SHIM 10X16X0,2	X
10	36120312	SHIM 10X16X0,30	X
10	36120314	SHIM 10X18X0,30	X
10	36120325	SHIM 10X19X0,15	X
10	36120327	SHIM 10X23X0,15	X
10	36120328	SHIM 10X25X0,15	X
10	36120329	SHIM 10X27X0,15	X
10	36120330	SHIM 10X29X0,15	X
10	36120331	SHIM 10X31X0,15	X
10	36120332	SHIM 10X33X0,15	X
10	36120334	SHIM 10X21X0,20	X
10	36120335	SHIM 10X23X0,20	X
10	36120336	SHIM 10X25X0,20	X
10	36120337	SHIM 10X27X0,20	X
10	36120338	SHIM 10X29X0,20	X
10	36120339	SHIM 10X31X0,20	X
10	36120340	SHIM 10X33X0,20	X
10	36120342	SHIM 10X21X0,25	X
10	36120343	SHIM 10X23X0,25	X
10	36120344	SHIM 10X25X0,25	X

080000190

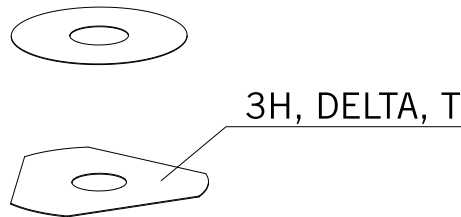
C130009090

* NEW PART

X ON DEMAND



- ⑤ Ø 5 mm
- ⑥ Ø 6 mm
- ⑧ Ø 8 mm
- ⑩ Ø 10 mm
- ⑫ Ø 12 mm
- ⑭ Ø 14-14,5 mm
- ⑯ Ø 16 mm
- ⑳ Ø 20 mm
- ㉑ Ø 21 mm
- ㉒ Ø 22 mm
- ㉓ Ø 23 mm
- ㉔ Ø 24,5 mm
- ㉘ Ø 28,5 mm
- ㉚ Ø 32 mm
- ㉜ Ø 52 mm



POS	PARTNUMBER	PARTNAME	PIECE
10	36120345	SHIM 10X27X0,25	X
10	36120349	SHIM 10X19X0,30	X
10	36120350	SHIM 10X21X0,30	X
10	40140275	WASHER 10X35X0,15	X
10	36120346	* SHIM 10X29X0,25	X
10	50180010	* SHIM 16X24X0,10	X
10	36120604	SHIM D10XD22X2,5	X
12	46810490	SHIM 12X24X0,20	X
12	46810491	SHIM 12X26X0,20	X
12	46810492	SHIM 12X28X0,20	X
12	46810493	SHIM 12X30X0,20	X
12	46810494	SHIM 12X32X0,20	X
12	46810495	SHIM 12X34X0,20	X
12	46810496	SHIM 12X36X0,20	X
12	46810497	SHIM 12X38X0,20	X
12	46810498	SHIM 12X40X0,20	X
12	46810499	SHIM 12X24X0,25	X
12	46810500	SHIM 12X26X0,25	X
12	46810501	SHIM 12X28X0,25	X
12	46810502	SHIM 12X30X0,25	X
12	46810504	SHIM 12X34X0,25	X
12	46810505	SHIM 12X36X0,25	X
12	46810507	SHIM 12X40X0,25	X
12	46810508	SHIM 12X24X0,30	X
12	46810509	SHIM 12X26X0,30	X
12	46810510	SHIM 12X28X0,30	X
12	46810512	SHIM 12X32X0,30	X
12	46810513	SHIM 12X34X0,30	X
12	46810518	SHIM 12X26X0,15	X
12	46810519	SHIM 12X28X0,15	X
12	46810520	SHIM 12X30X0,15	X
12	46810521	SHIM 12X32X0,15	X
12	46810522	SHIM 12X34X0,15	X
12	46810523	SHIM 12X36X0,15	X
12	46810524	SHIM 12X38X0,15	X
12	46810525	SHIM 12X40X0,15	X
12	46810604	SHIM 12X20X0,10	X
12	46810606	SHIM 12X22X0,10	X

080000190

C130009090

* NEW PART

X ON DEMAND



- ⑤ Ø 5 mm
- ⑥ Ø 6 mm
- ⑧ Ø 8 mm
- ⑩ Ø 10 mm
- ⑫ Ø 12 mm
- ⑭ Ø 14-14,5 mm
- ⑯ Ø 16 mm
- ⑳ Ø 20 mm
- ㉑ Ø 21 mm
- ㉒ Ø 22 mm
- ㉓ Ø 23 mm
- ㉔ Ø 24,5 mm
- ㉘ Ø 28,5 mm
- ㉚ Ø 32 mm
- ㉜ Ø 52 mm



POS	PARTNUMBER	PARTNAME	PIECE
12	46810607	SHIM 12X23X0,10	X
12	46810608	SHIM 12X24X0,10	X
12	46810610	SHIM 12X27X0,15	X
12	46810611	SHIM 12X18X0,15	X
12	46810612	SHIM 12X19X0,15	X
12	46810615	SHIM 12X22X0,15	X
12	46810636	BACKPLATE 12X16X0,30	X
12	46810637	BACKPLATE 12X17X0,30	X
12	46810638	BACKPLATE 12X18X0,30	X
12	46810639	SHIM 12X19X0,30	X
12	46810641	BACKPLATE 12X21X0,30	X
12	46811582	BACKPLATE 12X30X0,10	X
12	46810631	SHIM 12X20X0,25	X
12	46810633	SHIM 12X22X0,25	X
12	46811580	SHIM 12X32X0,10	X
12	46810503	SHIM 12X32X0,25	X
12	46810517	* SHIM 12X24X0,15	X
12	46810640	SHIM 12X20X0,30	X
12	46811258	RING 12X24X2,5	X
12	46812018	SHIM 12X42X0,25	X
12	46812015	SHIM 12X44X0,20	X
14	46811046	SHIM 14,5X35,4X1,25	X
16	50180023	* SHIM 16X23X0,20	X
16	50180030	SHIM	X
16	50180006	BACKPLATE 16X20X0,10	X
16	50180007	SHIM 16X21X0,10	X
16	50180028	SHIM 16X21X0,25	X
16	50180210	WASHER 16X21X1	X
16	50180008	SHIM 16X22X0,10	X
16	50180022	SHIM 16X22X0,20	X
16	50180037	SHIM 16X23X0,30	X
16	50180038	SHIM 16X24X0,30	X
16	50180032	SHIM 15X25X0,25	X
16	50180039	SHIM 16X25X0,30	X
16	50180012	SHIM 16X26X0,10	X
16	50180019	SHIM 16X26X0,15	X
16	50180026	SHIM 16X26X0,20	X
16	50180040	SHIM 16X26X0,30	X

080000190

C130009090

* NEW PART

X ON DEMAND



- ⑤ Ø 5 mm
- ⑥ Ø 6 mm
- ⑧ Ø 8 mm
- ⑩ Ø 10 mm
- ⑫ Ø 12 mm
- ⑭ Ø 14-14,5 mm
- ⑯ Ø 16 mm
- ⑳ Ø 20 mm
- ㉑ Ø 21 mm
- ㉒ Ø 22 mm
- ㉓ Ø 23 mm
- ㉔ Ø 24,5 mm
- ㉘ Ø 28,5 mm
- ㉚ Ø 32 mm
- ㉜ Ø 52 mm



POS	PARTNUMBER	PARTNAME	PIECE
16	50180041	SHIM 16X28X0,10	X
16	50180045	SHIM 16X28X0,15	X
16	50180054	SHIM 16X28X0,20	X
16	50180063	SHIM 16X28X0,25	X
16	50180072	SHIM 16X28X0,30	X
16	50180046	SHIM 16X30X0,15	X
16	50180055	SHIM 16X30X0,20	X
16	50180064	SHIM 16X30X0,25	X
16	50180073	SHIM 16X30X0,30	X
16	50180047	SHIM 16X32X0,15	X
16	50180056	SHIM 16X32X0,20	X
16	50180065	SHIM 16X32X0,25	X
16	50180074	SHIM 16X32X0,30	X
16	50180044	SHIM 16X34X0,10	X
16	50180048	SHIM 16X34X0,15	X
16	50180057	SHIM 16X34X0,20	X
16	50180066	SHIM 16X34X0,25	X
16	50180075	SHIM 16X34X0,30	X
16	50180049	SHIM 16X36X0,15	X
16	50180058	SHIM 16X36X0,20	X
16	50180067	SHIM 16X36X0,25	X
16	50180076	SHIM 16X36X0,30	X
16	50180050	SHIM 16X38X0,15	X
16	50180059	SHIM 16X38X0,20	X
16	50180068	SHIM 16X38X0,25	X
16	50180077	SHIM 16X38X0,30	X
16	50180051	SHIM 16X40X0,15	X
16	50180060	SHIM 16X40X0,20	X
16	50180069	SHIM 16X40X0,25	X
16	50180078	SHIM 16X40X0,30	X
16	50180052	SHIM 16X42X0,15	X
16	50180061	SHIM 16X42X0,20	X
16	50180070	SHIM 16X42X0,25	X
16	50180079	SHIM 16X42X0,30	X
16	50180053	SHIM 16X44X0,15	X
16	50180062	SHIM 16X44X0,20	X
16	50180071	SHIM 16X44X0,25	X
16	50180080	SHIM 16X44X0,30	X

080000190

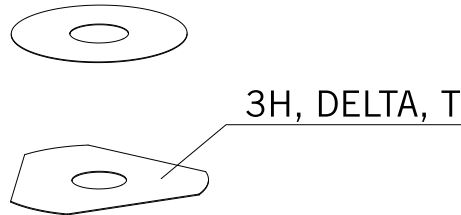
C130009090

* NEW PART

X ON DEMAND



- ⑤ Ø 5 mm
- ⑥ Ø 6 mm
- ⑧ Ø 8 mm
- ⑩ Ø 10 mm
- ⑫ Ø 12 mm
- ⑭ Ø 14-14,5 mm
- ⑯ Ø 16 mm
- ⑳ Ø 20 mm
- ㉑ Ø 21 mm
- ㉒ Ø 22 mm
- ㉓ Ø 23 mm
- ㉔ Ø 24,5 mm
- ㉘ Ø 28,5 mm
- ㉚ Ø 32 mm
- ㉜ Ø 52 mm



POS	PARTNUMBER	PARTNAME	PIECE
16	50180177	WASHER 16X8,2X0,6	X
16	50180033	SHIM 16X26X0,25	X
16	50180034	BACKPLATE 16X20X0,30	X
16	50180035	BACKPLATE 16X21X0,30	X
16	50180036	BACKPLATE 16X22X0,30	X
16	50180043	SHIM	X
16	50180024	* SHIM 16X24X0,20	X
16	50180027	* SHIM 16X20X0,25	X
16	50180031	SHIM	X
16	50180029	SHIM	X
20	48600212	PRESSURE-RING 20X16,25X0,20	X
20	50180666	SHIM 20X24X0,30	X
20	50180654	SHIM 20X36X0,20	X
20	50180655	SHIM 20X38X0,20	X
20	50180656	SHIM 20X40X0,20	X
20	50180665	SHIM 20X40X0,25	X
20	50180662	SHIM 20X34X0,25	X
20	50180657	SHIM 20X24X0,25	X
20	50180653	SHIM 20X34X0,20	X
20	50180634	RING 20X22,9X1	X
20	50180650	SHIM 20,2X28X0,20	X
20	50180663	SHIM 20X36X0,25	X
20	50180664	SHIM 20X38X0,25	X
20	50180659	SHIM 20,2X28X0,25	X
21	50180209	WASHER 21X36X0,25	X
22	50180330	* PRESS. RING 22X18X0,30	X
23	50180635	SHUTTLE VALVE 23X38X0,25	X
23	50180578	SHIM D23XD16X2	X
24	40541061	WASHER 24,5X34X2	X
28	36120469	SHIM 28,5X14X2	X
28	36120471	SHIM 28,5X14X5	X
32	48600460	WASHER 32X42X2,5	X
32	50600065	SHIM 32X45X2	X
32	46811637	PRESSURE RING 36X32,25	X
52	50600002	SHIM 52X59X2,2	X

080000190

C130009090

* NEW PART

X ON DEMAND

A large, empty rectangular box with a thin black border, occupying the majority of the page. It is intended for handwritten notes.



WWW.KTM.COM



KTM Sportmotorcycle GmbH
5230 Mattighofen, Austria
www.ktm.com



KTM_POWERPARTS

KTM_POWERWEAR

KTM_ORIGINAL SPARE PARTS



3CFF820302EN

Art. Nr.: 3CFF820302EN 20. Mai 2015