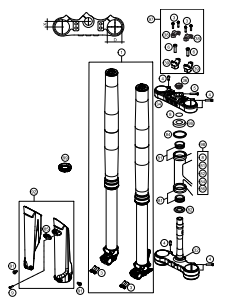
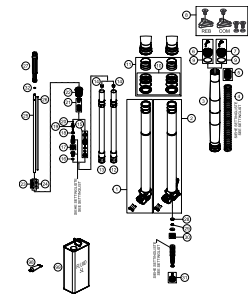
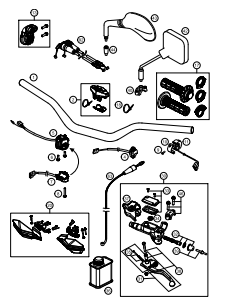
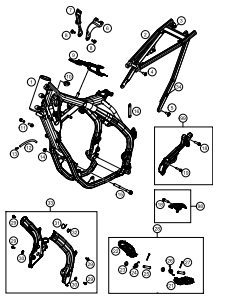
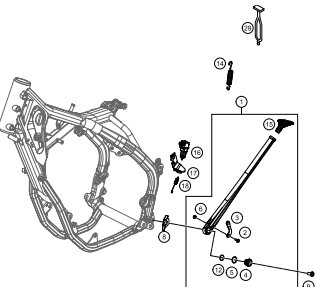
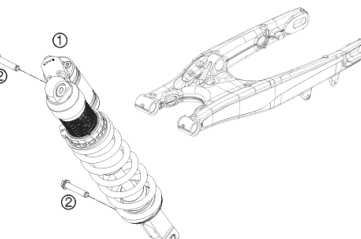
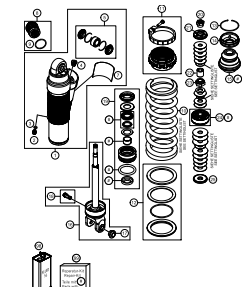
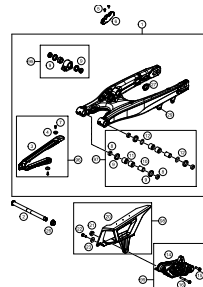
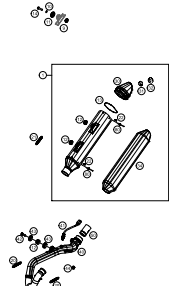
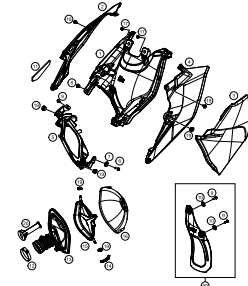
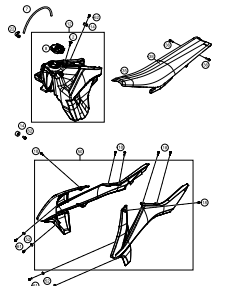
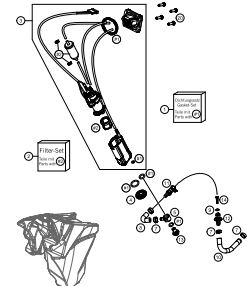
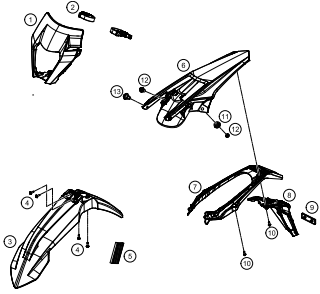
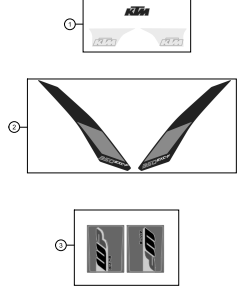
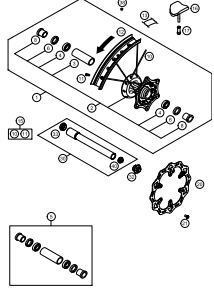
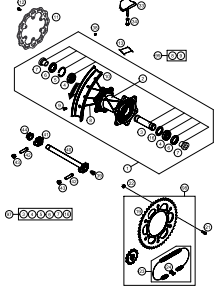
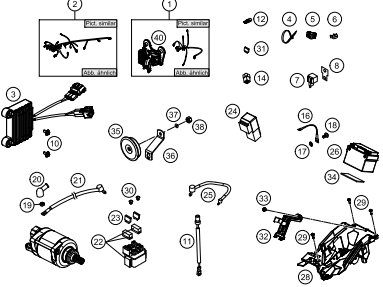
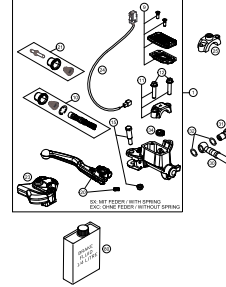
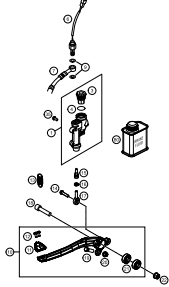
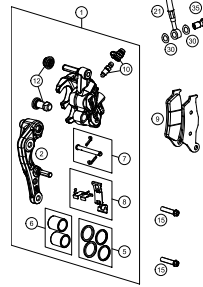
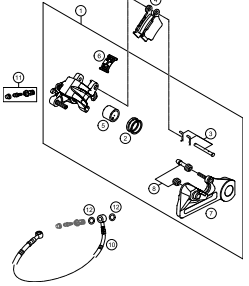
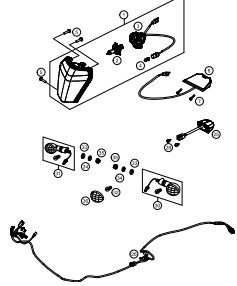
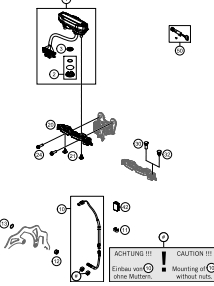
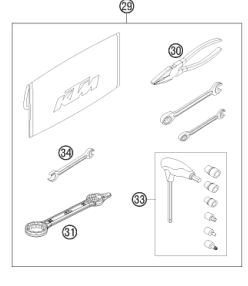


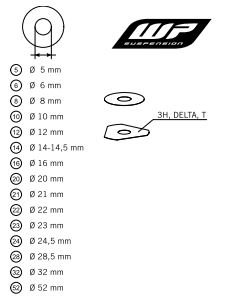

350 EXC-F EU 2017

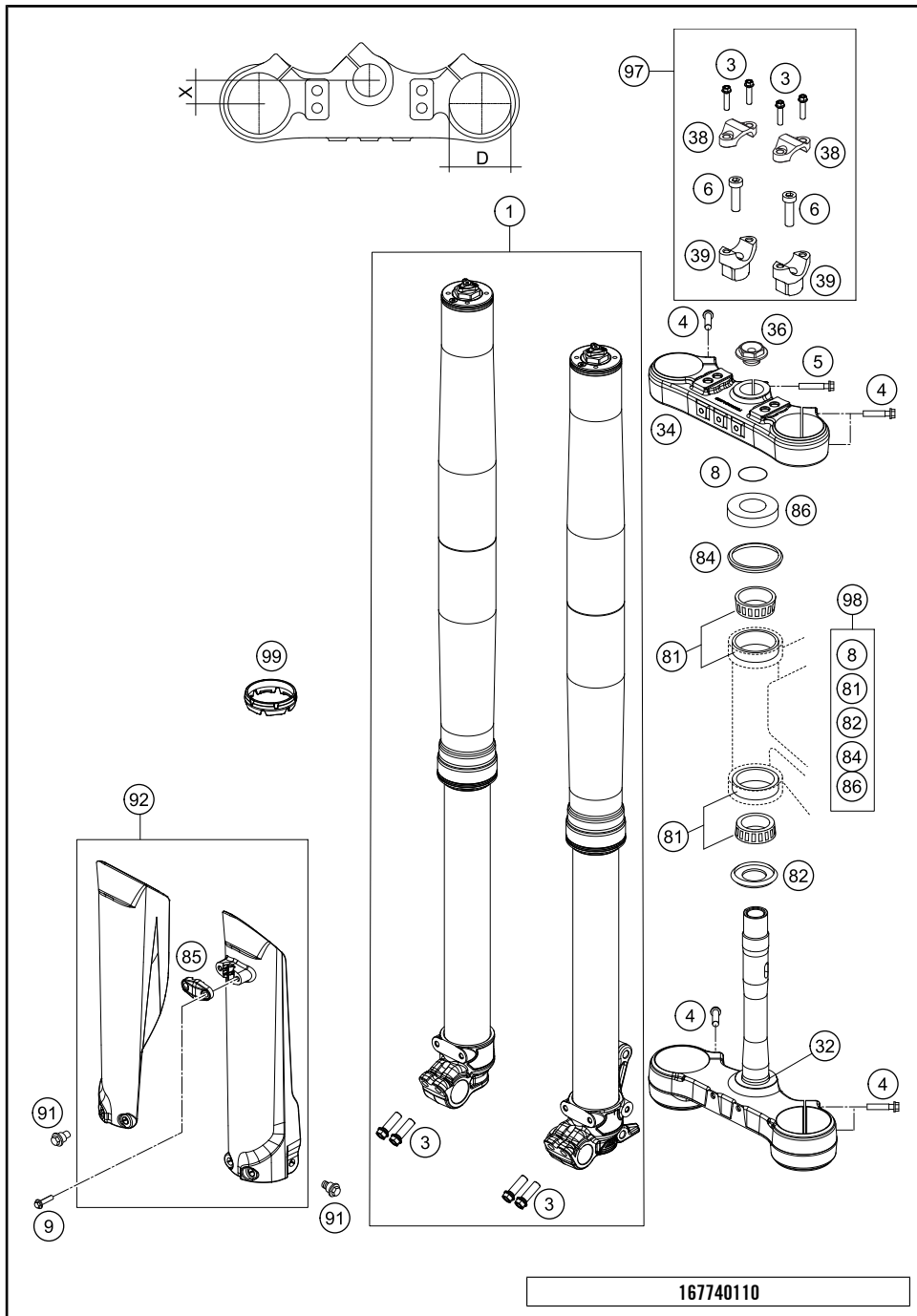
ART.-NR.: 3CFF8203Q9EN



| | | | |
|---|--|---|---|
| <p>FRONT FORK, TRIPLE CLAMP</p>  <p style="text-align: right;">4</p> | <p>FRONT FORK DISASSEMBLED</p>  <p style="text-align: right;">5</p> | <p>HANDLEBAR, CONTROLS</p>  <p style="text-align: right;">7</p> | <p>FRAME</p>  <p style="text-align: right;">8</p> |
| <p>SIDE / CENTER STAND</p>  <p style="text-align: right;">9</p> | <p>SHOCK ABSORBER</p>  <p style="text-align: right;">10</p> | <p>SHOCK ABSORBER DISASSEMBLED</p>  <p style="text-align: right;">11</p> | <p>SWING ARM</p>  <p style="text-align: right;">12</p> |
| <p>EXHAUST SYSTEM</p>  <p style="text-align: right;">13</p> | <p>AIR FILTER</p>  <p style="text-align: right;">14</p> | <p>TANK, SEAT, COVER</p>  <p style="text-align: right;">15</p> | <p>FUEL PUMP</p>  <p style="text-align: right;">16</p> |

| | | | |
|---|--|--|--|
| <p>MASK, FENDERS</p>  <p>17</p> | <p>DECAL</p>  <p>18</p> | <p>FRONT WHEEL</p>  <p>19</p> | <p>REAR WHEEL</p>  <p>20</p> |
| <p>WIRING HARNESS</p>  <p>21</p> | <p>HAND BRAKE CYLINDER</p>  <p>22</p> | <p>REAR BRAKE CONTROL</p>  <p>23</p> | <p>BRAKE CALIPER FRONT</p>  <p>24</p> |
| <p>BRAKE CALIPER REAR</p>  <p>25</p> | <p>LIGHTING SYSTEM</p>  <p>26</p> | <p>INSTRUMENTS / LOCK SYSTEM</p>  <p>27</p> | <p>ACCESSORIES KIT</p>  <p>28</p> |

| | | | |
|---|--|--|--|
| <p>WP SHIMS FOR SETTING</p>  <p style="text-align: center; font-size: 2em;">29</p> | | | |
| | | | |
| | <div style="display: flex; align-items: center;">  <p> All information contained is without obligation. KTM Sportmotorcycle GmbH particularly reserves the right to modify any equipment, technical specifications, prices, colors, shapes, materials, services, service work, constructions, equipment and the like so as to adapt them to local conditions or to cancel any of the above items, all without previous announcement and without giving reasons. KTM may stop manufacturing certain models without previous notice. KTM shall not be held liable for any deviations of availability and/or ability to deliver, illustrations, descriptions, printing and/or other errors. The illustrated models partly contain extra equipment, which is not applied to standard models. </p> <p> © by KTM Sportmotorcycle GmbH, Mattighofen AUSTRIA; All rights reserved; Reprint, also in extracts, with written allowance of KTM Sportmotorcycle GmbH, Mattighofen only. </p> </div> | | |

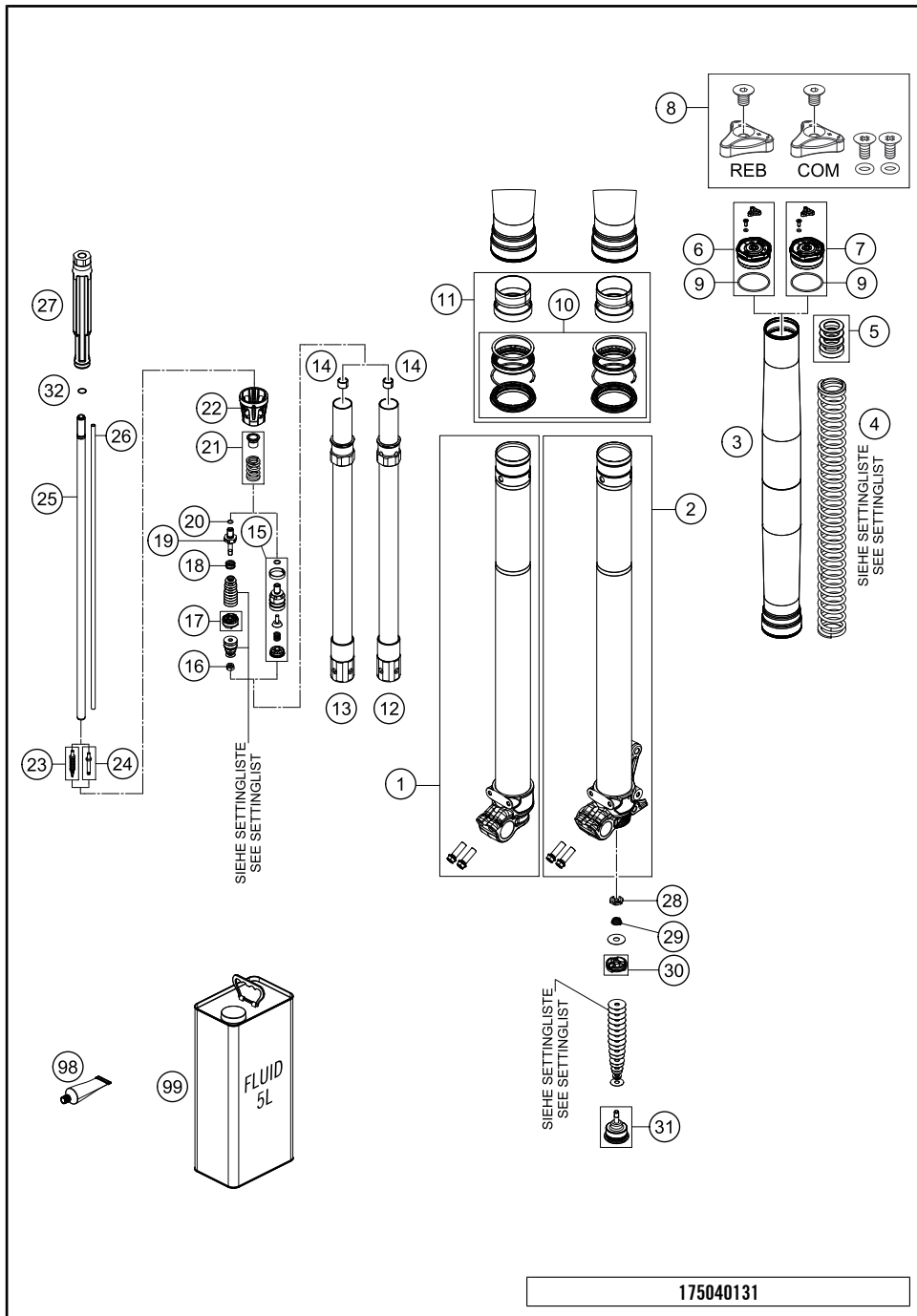


| POS | PARTNUMBER | PARTNAME | PIECE |
|-----|---------------|--------------------------------|-------|
| 1 | 14188Q6701 | FORK 250/350 EXC-F 17 | 1 |
| 3 | 0025080256 | HH COLLAR SCREW M8X25 TX40 | 8 |
| 4 | 0025080306 | HH COLLAR SCREW M8X30 TX40 | 8 |
| 5 | 0025080356 | HH COLLAR SCREW M8X35 TX40 | 1 |
| 6 | 0032100356S | AH-COLLAR SCREW M10X35 ISA45 | 2 |
| 8 | 0770025035 | O-RING 25X3,55 NBR70 05 | 1 |
| 9 | 0017060206 | SCREW F. PLASTIC K60X20AL SW6 | 2 |
| 32 | 78101132122 | BOTTOM TRIPLE CLAMP CPL. | 1 |
| 34 | 78101034022 | TOP TRIPLE CLAMP X=22MM | 1 |
| 36 | 70009082000 | AXLESCREW M20X1.5; SW17 | 1 |
| 38 | 77201038000 | HANDLEBAR CLAMP 28MM | 2 |
| 39 | 59401039032 | HANDLEB.SUPP. D=28MM H=32MM 05 | x |
| 39 | 59401039037 | HANDLEB.SUPP. D=28MM H=37MM 05 | 2 |
| 39 | 59401039042 | HANDLEB.SUPP. D=28MM H=42MM 05 | x |
| 81 | 54201081100 | TAPERED ROLLER BEARING CPL. 06 | 2 |
| 82 | 77701084000 | O-RING SUPPORT W. SEALING LIP | 1 |
| 84 | 54601184000 | STEERING HEAD GASKET TOP | 1 |
| 85 | 77701085100EB | CLAMP FOR BRAKEHOSE | 1 |
| 86 | 78101086000 | STEERING HEAD COVER | 1 |
| 91 | 59001092050 | SPECIAL SCREW M6X12,5 WS=8 | 6 |
| 92 | 77701094100EB | FORK PROTECTION SET | 1 |
| 97 | 00050000921 | HANDLEBAR SUPPORT KIT D28/H37 | x |
| 98 | 00050000930 | STEERING HEAD REP. KIT 06-15 | x |
| 99 | 48600698 | FORK PROTECTION RING 08 | 2 |

167740110

C177960110

* NEW PART X ON DEMAND

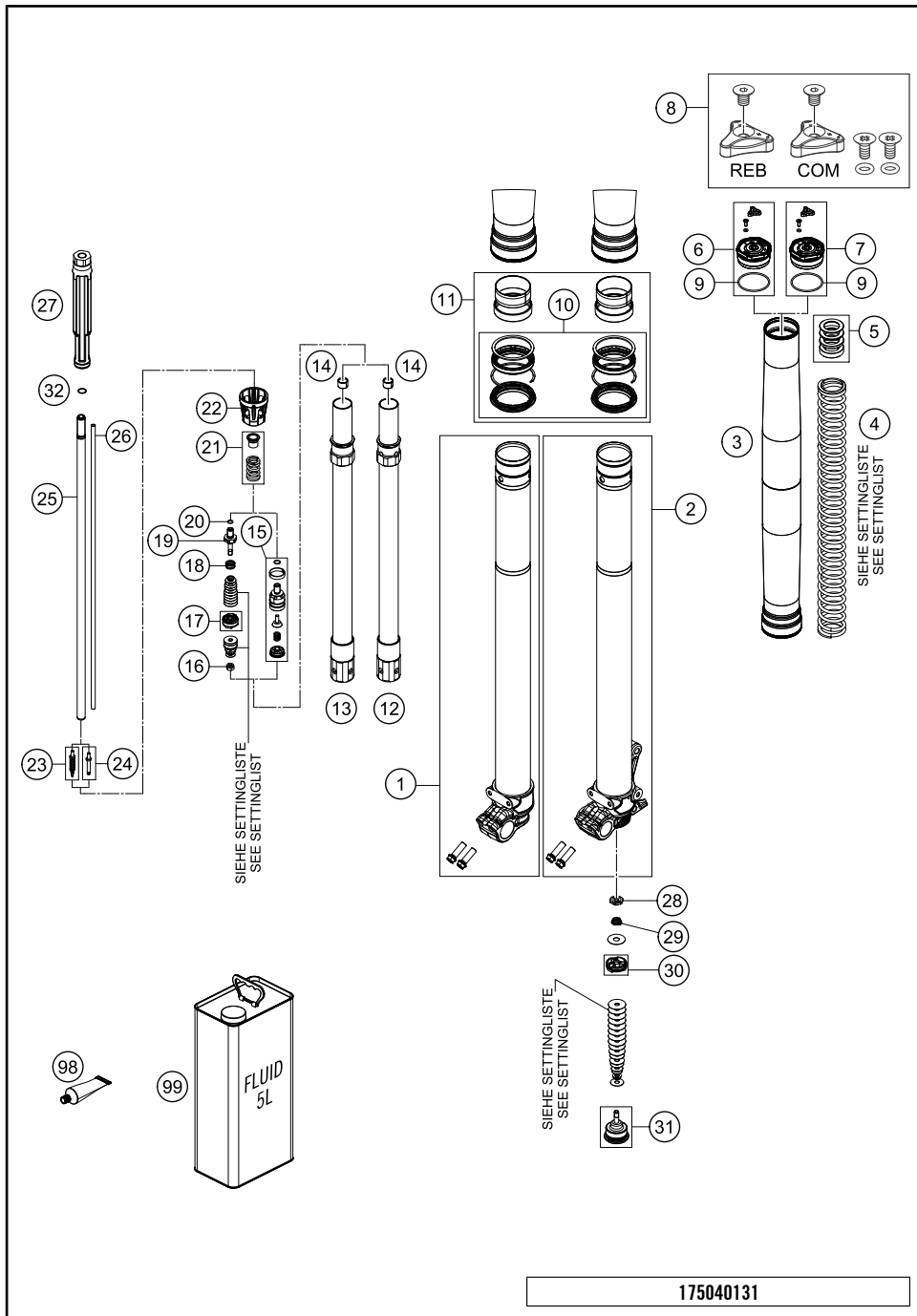


| POS | PARTNUMBER | PARTNAME | PIECE |
|-----|------------|--------------------------------|-------|
| 1 | 48601633S1 | AXLE CLAMP OC R/S CPL. & TUBE | 1 |
| 2 | 48601632S1 | AXLE CLAMP OC L/S CPL. & TUBE | 1 |
| 3 | 48600736 | OUTER TUBE L577 D54/60MM 2L | 2 |
| 4 | 91410099S | SPRING 3,8N/MM SET D=4,9MM | x |
| 4 | 91410100S | SPRING 4,0N/MM SET D=4,9MM | x |
| 4 | 91410101S | SPRING 4,2N/MM SET D=4,9MM | x |
| 4 | 91410102S | SPRING 4,4N/MM SET D=4,9MM | x |
| 4 | 91410103S | SPRING 4,6N/MM SET D=4,9MM | x |
| 4 | 91410104S | SPRING 4,8N/MM SET D=4,9MM | x |
| 5 | R14026 | SPRING SPACER KIT | 1 |
| 6 | 48601631S | SCREW CAP M51X 1,5 REB. CPL. | 1 |
| 7 | 48601630S | SCREW CAP M51X1,5 COMP. CPL. | 1 |
| 8 | R14033 | SCREW CAP SMALL PART KIT | 1 |
| 9 | 48600048 | O-RING NBR 46 X 2 | 2 |
| 10 | R14046 | SEALING KIT | 1 |
| 11 | R14063 | FORK REP. KIT 48MM OFFROAD | 1 |
| 12 | 48600763S1 | PIPE&THREADED SLEEVE WITH HOLE | 1 |
| 13 | 48600763S2 | PIPE & THREADED SLEEVE | 1 |
| 14 | 48600430 | DU BUSH FOR PISTON ROD | 2 |
| 15 | 48601554S | PISTON ROD REBOUND CPL. | 1 |
| 16 | 40540486 | NUT M6X0,5 REBOUND | 1 |
| 17 | 48600575S | PISTON REBOUND + PISTON RING | 1 |
| 18 | 48600382 | SHUTTLE VALVE SPRING C=0,4 | 1 |
| 19 | 48600576 | PISTON ROD REBOUND | 1 |
| 20 | 48600299 | O-RING 6X1,2 NBR | 1 |
| 21 | 48600578S | SPRING REBOUND + SPRING GUIDE | 2 |
| 22 | 48601298 | SPRING SUPPORT | 2 |
| 23 | 48600277S | ADJUSTING NEEDLE CPL. | 1 |
| 24 | 48601558S | COMPRESSION ADJ. NEEDLE CPL. | 1 |
| 25 | 48600568 | PISTON ROD D=12 L=554 ALU | 2 |
| 26 | 48601786 | ADJUSTING PIPE | 2 |
| 27 | 48601556S | HYDR. STOP L200 Ø31,9 CPL.07 | 2 |
| 28 | 48600163 | CHECK VALVE NUT M6X0,5 D=2 | 2 |
| 29 | 48600202 | SPRING CHECK VALVE D=0,7 | 2 |
| 30 | 48600047S | PISTON + O-RING | 2 |
| 31 | 48601553S | SCREW CAP OC SPLIT CPL. | 2 |
| 32 | 04500003 | O-RING 11X2,5 NBR 70 SH PTFE | 2 |

175040131

C175040131

* NEW PART X ON DEMAND

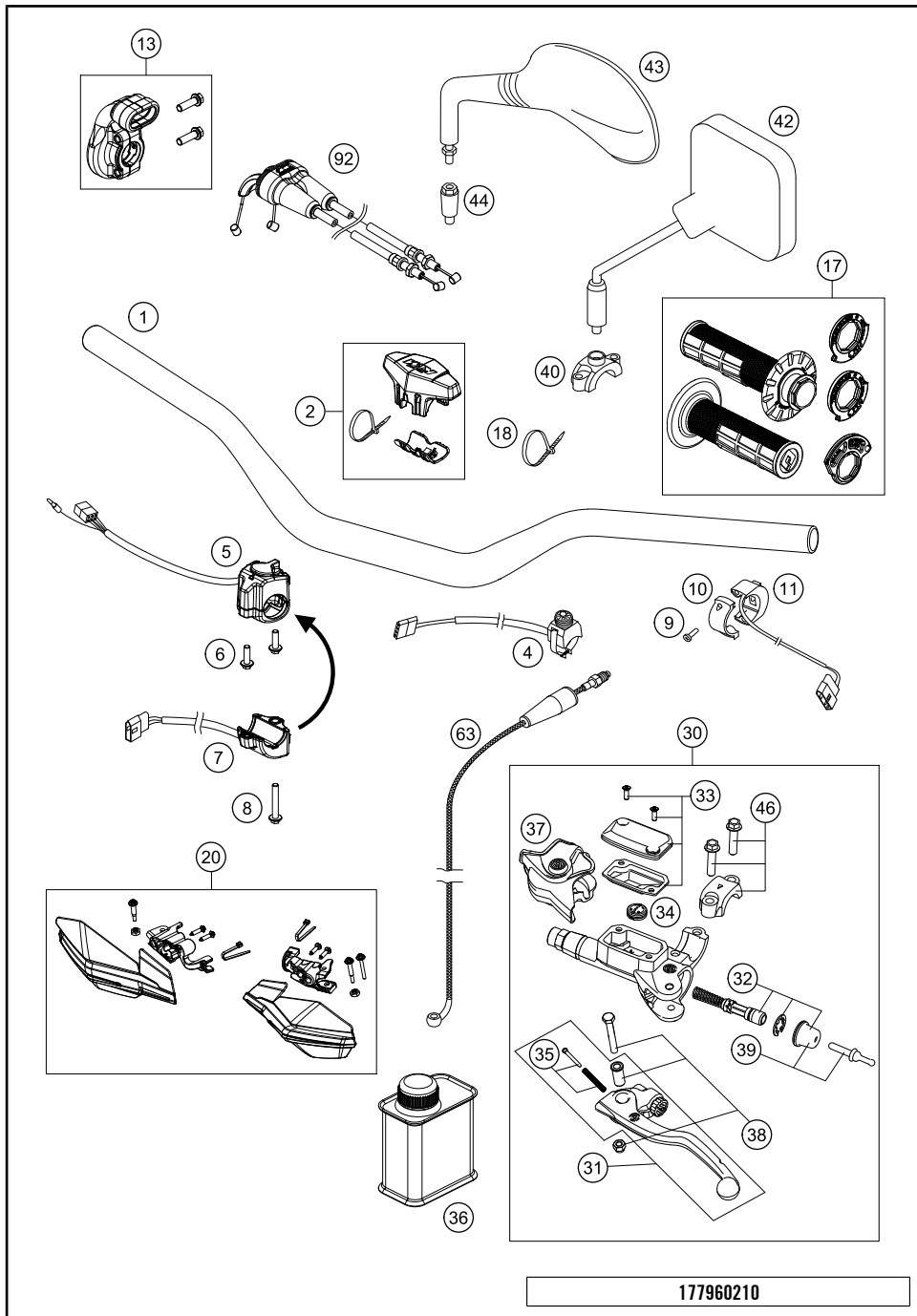


| POS | PARTNUMBER | PARTNAME | PIECE |
|-----|------------|------------------------------|-------|
| 98 | T511 | SILICONE GREASE F. DUST STRI | 1 |
| 99 | 48601166S1 | FORK OIL SAE4 5L | 1 |

C175040131

* NEW PART

X ON DEMAND



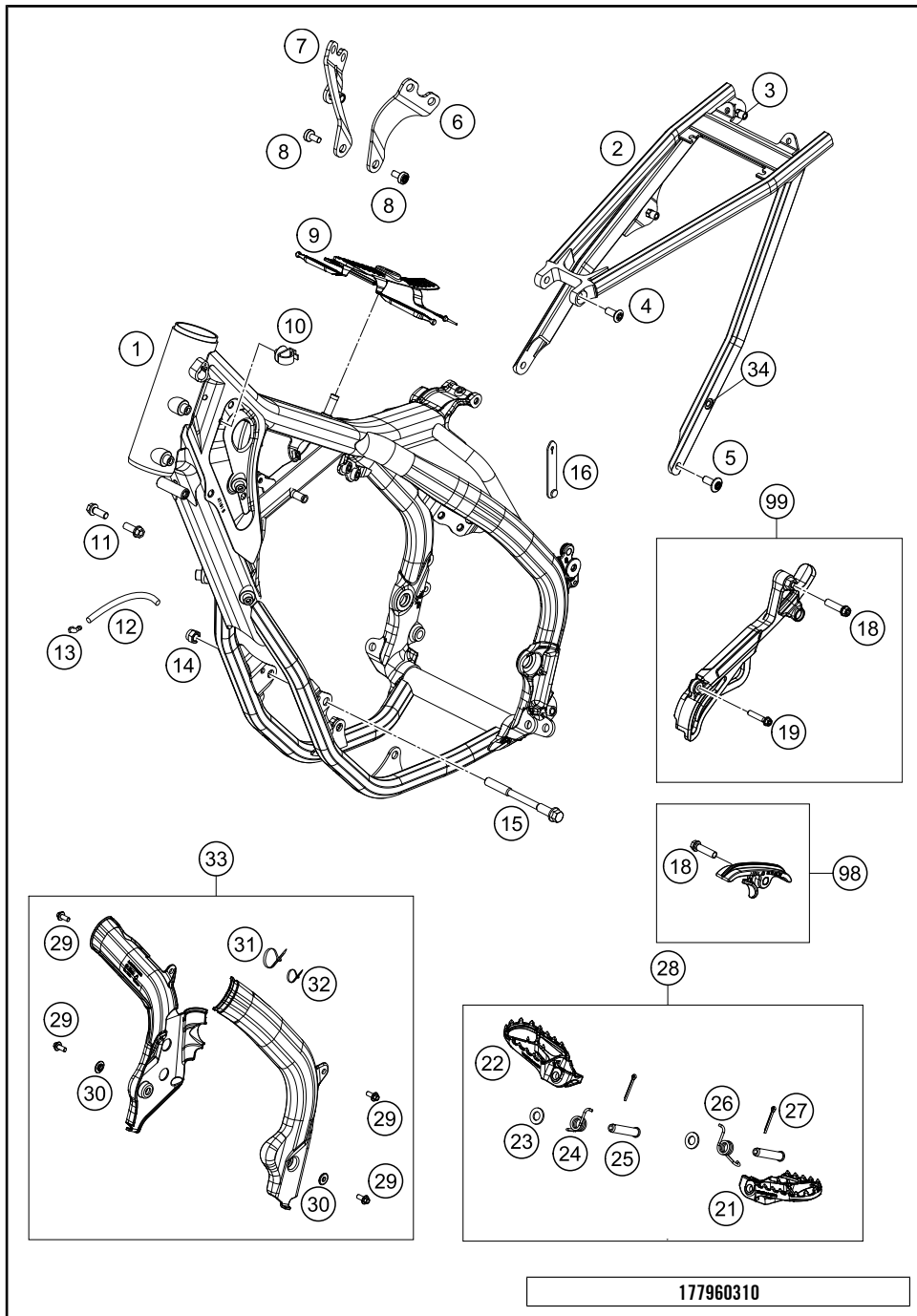
| POS | PARTNUMBER | PARTNAME | PIECE |
|-----|---------------|--------------------------------|-------|
| 1 | 7800200100030 | HANDLEBAR | 1 |
| 2 | 77202002144 | BAR PAD CPL. | 1 |
| 4 | 78111074000 | STARTER BUTTON GREY 13 | 1 |
| 5 | 78111070000 | LIGHT SWITCH | 1 |
| 6 | 0014050163 | HH COLLAR SCREW M 5X16 WS=6 | 2 |
| 7 | 78111029000 | FLASHER SWITCH | 1 |
| 8 | 0014050303 | HH COLLAR SCREW M5X30 SW=6 | 1 |
| 9 | 0985040203 | FLAT HEAD SCREW DIN7985-M 4X20 | 2 |
| 10 | 50311074050 | CLAMP ENGINE STOP SWITCH | 1 |
| 11 | 50311074000 | ENGINE STOP SWITCH CEV | 1 |
| 13 | 79002010025 | THROTTLE CONTROL CASING CPL. | 1 |
| 17 | 79002021100 | GRIP SET | 1 |
| 18 | 44011076140 | CABLE TIE 140/2,5MM BLACK | x |
| 18 | 44011076200 | CABLE TIE 200/3,6MM BLACK | x |
| 20 | 77702179000EB | HAND GUARDS CPL.L/S+R/S ORANGE | 1 |
| 30 | 54802030144 | MASTER CYLINDER CPL. | 1 |
| 31 | 54802031000 | CLUTCH LEVER CPL. BREMBO 06 | 1 |
| 32 | 54802032000 | REP. KIT PISTON 06 | 1 |
| 33 | 5480200310030 | COVER HYD. CLUTCH CPL. 2014 | 1 |
| 34 | 54802051000 | VALVE | 1 |
| 35 | 54802052000 | BOLT KPL. | 1 |
| 36 | 00062030000 | BRAKE FLUID DOT5.1 0,25L | 1 |
| 37 | 54802037000 | PROTECTION CAP 06 | 1 |
| 38 | 54802038100 | LEVER SCREW CPL. 06 | 1 |
| 39 | 54802046000 | PUSH ROD CPL. | 1 |
| 40 | 58012040150 | CLAMP FOR MIRROR '94 | 2 |
| 42 | 58012040000 | REAR MIRROR L/S | 1 |
| 42 | 58012140000 | REAR MIRROR R/S | 1 |
| 43 | 58412040000 | MIRROR L/S 98 | x |
| 43 | 58412041000 | MIRROR R/S 98 | x |
| 44 | 58412040050 | SUPPORT FOR MIRROR LC4 '98 | x |
| 46 | 54802005100 | CLAMP CPL. 06 | 1 |
| 63 | 79232063000 | CLUTCH PIPE | 1 |
| 92 | 79002091000 | THROTTLE CABLE CPL. 4STROKE | 1 |

177960210

C177960210

* NEW PART

X ON DEMAND



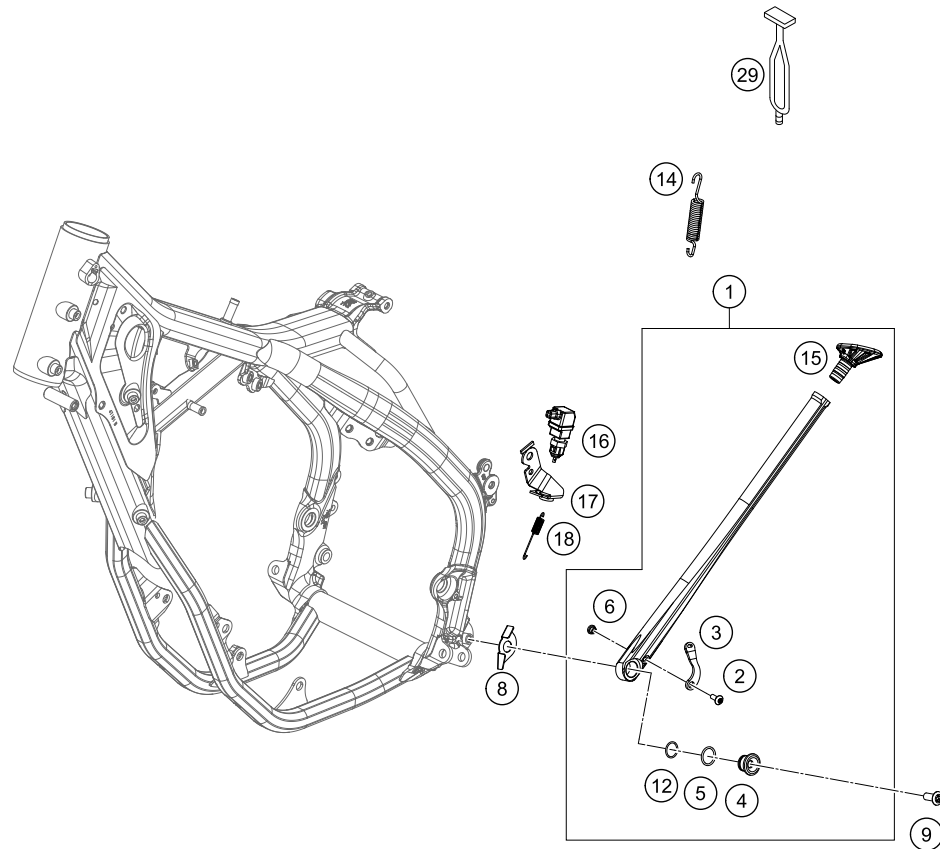
177960310

| POS | PARTNUMBER | PARTNAME | PIECE |
|-----|---------------|--------------------------------|-------|
| 1 | 7900310110033 | FRAME "790Q1" 17 | 1 |
| 2 | 79003002000 | SUBFRAME 2016 | 1 |
| 3 | 77303139000 | BLIND RIVET NUT EM6-60LF/HX | 2 |
| 4 | 0019080206S | FLAT HEAD SCREW M. ISA45 M8X20 | 2 |
| 5 | 79003003000 | SPECIAL SCREW M8X18 TORX45 SS | 2 |
| 6 | 79203113000 | ENGINE BRACE LEFT | 1 |
| 7 | 79203114044 | ENGINE BRACE RIGHT CPL. | 1 |
| 8 | 0035080156S | AH-COLLAR SCREW M8X15 TORX45 | 6 |
| 9 | 79007012000 | TANK REST RUBBER | 1 |
| 10 | 58111076000 | CABLE SUPPORT KHS NR.150-47610 | 2 |
| 11 | 0025080166S | HH COLLAR SCREW M8X16 TX40 | 2 |
| 12 | 55007016001 | PVC-HOSE 7X10 PER METER | x |
| 13 | 50303089000 | ANGLE PIECE '97 | 1 |
| 14 | 54310086100 | SELF LOCKING NUT M10 CU WS=14 | 2 |
| 15 | 77203014000 | ENGINE BRAC.SCR. M10X115 | 2 |
| 16 | 60011093075 | RUBBER CABLE TIE 75MM Ø3 | 1 |
| 18 | 0025080306 | HH COLLAR SCREW M8X30 TX40 | 2 |
| 19 | 0025060356 | HH COLLAR SCREW M6X35 TX30 | 1 |
| 21 | 79603040000 | FOOTREST L/S EXC 2017 | 1 |
| 22 | 79603041000 | FOOTREST R/S EXC 2017 | 1 |
| 23 | 0125100003 | WASHER DIN0125-A10,5 | 2 |
| 24 | 79003044000 | FOOTREST SPRING R/S 2016 | 1 |
| 25 | 54803044000 | PIN FOR FOOT PED 51.5X9.8 MM | 2 |
| 26 | 79003045000 | FOOTREST SPRING L/S 2016 | 1 |
| 27 | 0094032253 | PIN DIN0094-3,2X25 STEEL | 2 |
| 28 | 79603040033 | FOOTREST-SET | 1 |
| 29 | 0014050123 | HH COLLAR SCREW M 5X12 WS=6 | 4 |
| 30 | 54803092060 | BUSH F. FRAME PROTECTION Ø3 | 2 |
| 31 | 44011076305 | CABLE TIE 300/4,8MM BLACK | 3 |
| 32 | 44011076140 | CABLE TIE 140/2,5MM BLACK | 1 |
| 33 | 7900309400033 | FRAME PROTECTION SET BLACK | 1 |
| 34 | 79003002080 | BLIND RIVET NUT M6 KNURLED | 2 |
| 98 | 79003053010 | CHAIN SLIDING KIT BELOW CPL.16 | 1 |
| 99 | 79003096010 | SPROCKET COVER KIT | 1 |

C177960310

* NEW PART

X ON DEMAND



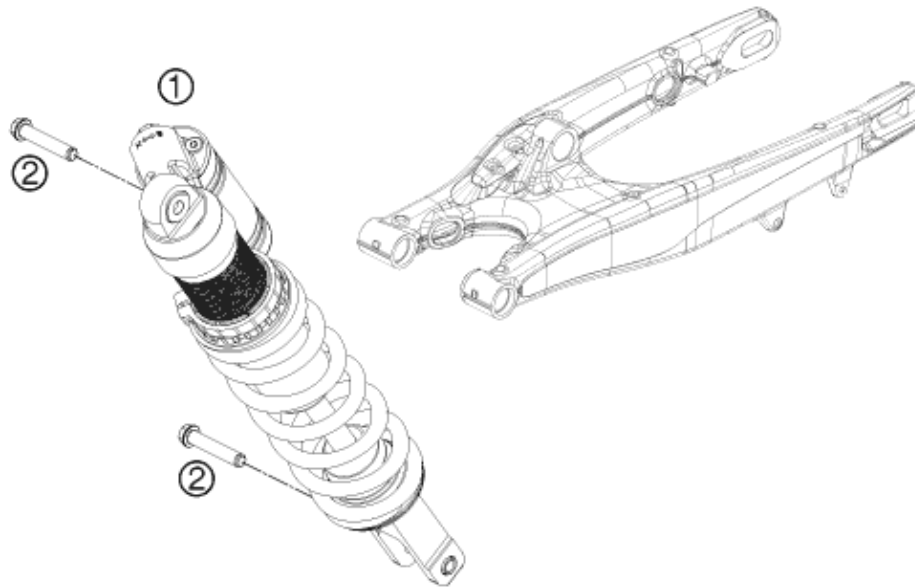
| POS | PARTNUMBER | PARTNAME | PIECE |
|-----|-------------|--------------------------------|-------|
| 1 | 79003023044 | SIDE STAND CPL. EXC 16 | 1 |
| 2 | 58605083014 | SCREW M5X14 TORX 25 07 | 1 |
| 3 | 79003023090 | SPRING BRACKET EXC 16 | 1 |
| 4 | 78003023080 | SIDE STAND BUSHING EXC USA 08 | 1 |
| 5 | 0770180020 | O-RING 18,00X2,00 NBR 70 | 1 |
| 6 | 78003023070 | SPACER BUSH. SPRING BRACKET | 1 |
| 8 | 79003023050 | SIDE STAND STOP PLATE | 1 |
| 9 | 0019080206S | FLAT HEAD SCREW M. ISA45 M8X20 | 1 |
| 12 | 0770125015 | O-RING 12,5X1,5 NBR | 1 |
| 14 | 79003024000 | SIDESTAND SPRING EXC 16 | 1 |
| 15 | 78003023155 | STAND BASE | 1 |
| 16 | 79611045000 | SIDE STAND SWITCH | 1 |
| 17 | 79611046000 | SIDE STAND SWITCH BRACKET | 1 |
| 18 | 79611047000 | SPRING | 1 |
| 29 | 50303018000 | RUBBER L=145MM | 1 |

177960360

C177960360

* NEW PART

X ON DEMAND



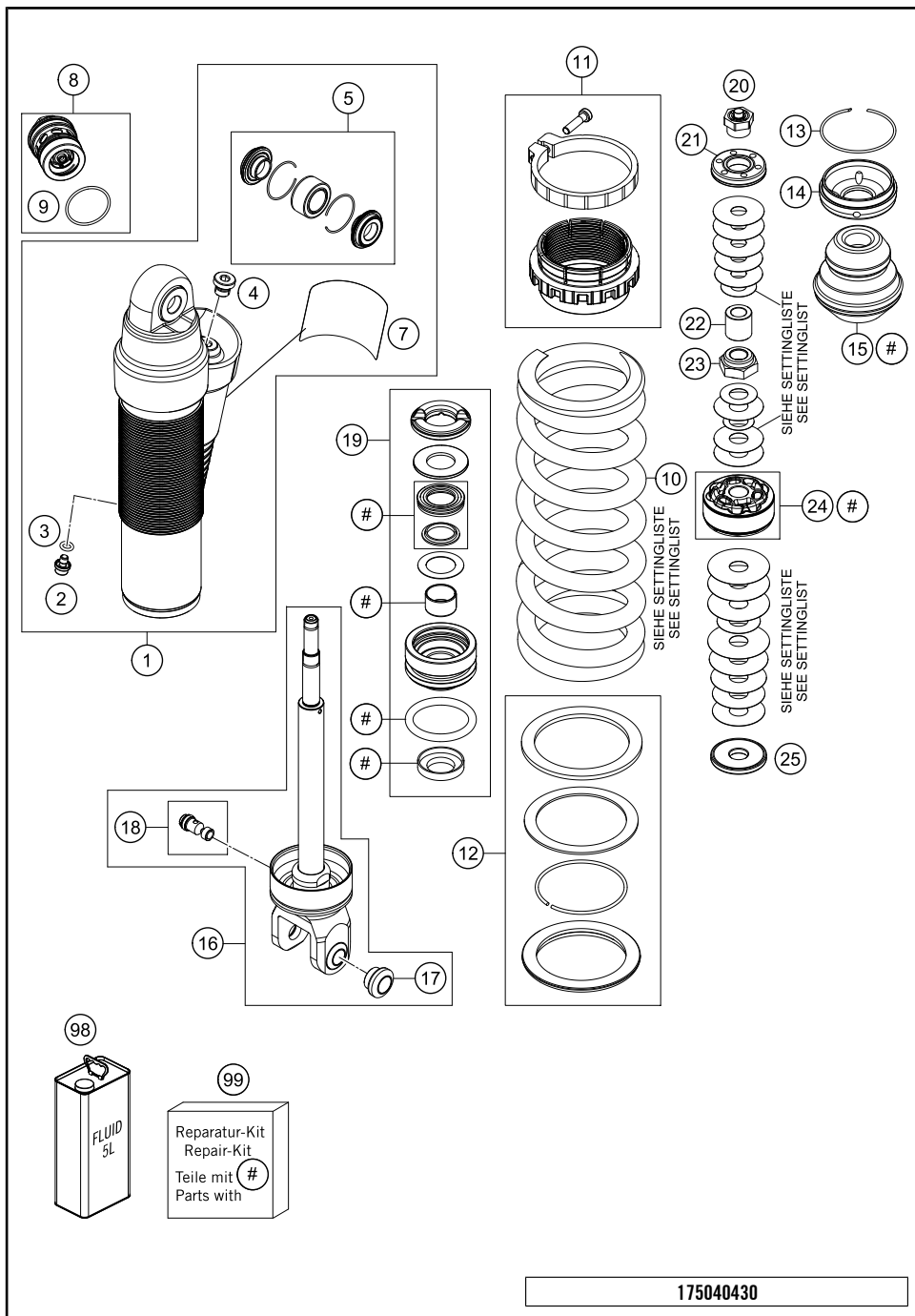
| POS | PARTNUMBER | PARTNAME | PIECE |
|-----|-------------|-----------------------------|-------|
| 1 | 12187Q6301 | MONOSHOCK 250/300 EXC 17 | 1 |
| 2 | 0025120506S | HH COLLAR SCREW M12X50 TX45 | 2 |

127750410

C177960410

* NEW PART

X ON DEMAND

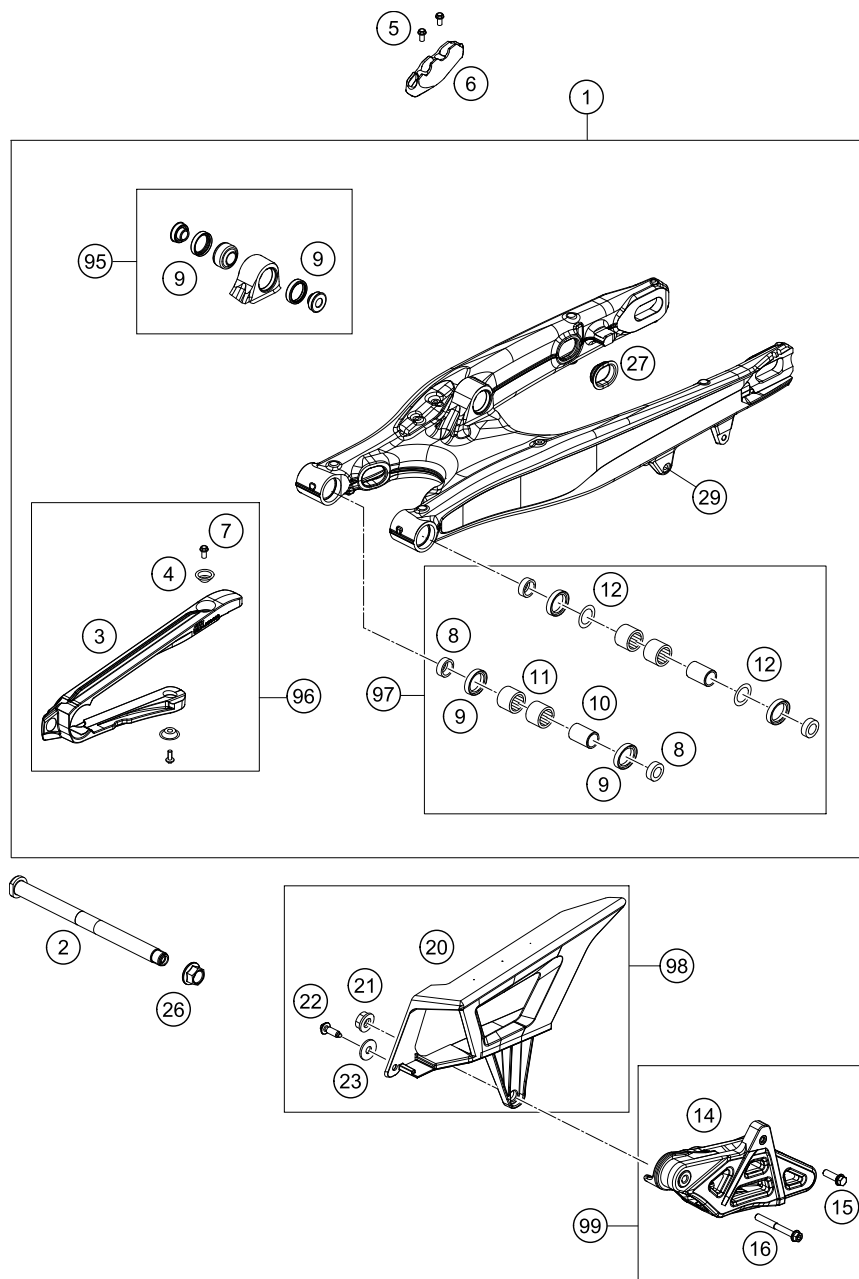


| POS | PARTNUMBER | PARTNAME | PIECE |
|-----|------------|--------------------------------|-------|
| 1 | 46181242S1 | MONOSHOCK CASE M53X1 INC PIPE | 1 |
| 2 | 36120151 | SCREW PLUG M5X6 | 1 |
| 3 | 46810893 | O-RING NBR 5,28X1,78 | 1 |
| 4 | 50180095 | BLEED PLUG R 1/8 | 1 |
| 5 | RP10011 | BEARING KIT KGW D12 | 1 |
| 7 | 52000143 | STICKER WP WARNING 65X40 | 1 |
| 8 | 50181101S5 | DCC PDS 2017 CPL. | 1 |
| 9 | 50180217 | O-RING 27X1,5 VITON | 1 |
| 10 | 91010348 | SPRING (59/61) NT8,9 WHITE | x |
| 10 | 91010349 | SPRING (59/61) NT8,53 WHITE | x |
| 10 | 91010350 | SPRING (59/61) NT8,75 WHITE | x |
| 10 | 91010351 | SPRING (59/61) NT8,95 WHITE | x |
| 10 | 91010353 | SPRING (59/61) NT9,3 WHITE | x |
| 11 | 46181228S | SPRING SUPPORT PLASTIC 46 CPL. | 1 |
| 12 | RP10005 | SPRING CUP SET PDS 17 | 1 |
| 13 | 46810010 | CIRCLIP 49X1,5 | 1 |
| 14 | 46180338 | CAP D=46 H=9,5 | 1 |
| 15 | 46181237 | BUMP RUBBER Ø58 Ø17 H55 PDS 17 | 1 |
| 16 | 46181236S1 | MONOSHOCK LOWER PART CPL. | 1 |
| 17 | 50180105 | THREADED BUSH M12 PDS | 1 |
| 18 | 50181094S | ADJUSTING SCREW M8X0,5 CPL. | 1 |
| 19 | 46180669S | ADAPTOR CPL. D=46 H=28 07 | 1 |
| 20 | 46181183S | NUT M10X1 PDS | 1 |
| 21 | 46181184 | PISTON Ø35,5 PDS | 1 |
| 22 | 46181025 | SANDWICH BUSH 10X17X17 | 1 |
| 23 | 46810474 | PISTON ROD NUT | 1 |
| 24 | 46181153ES | PISTON CPL. Ø12 Ø42 BLEED HOLE | 1 |
| 25 | 46181194 | REBOUND WASHER 12X36 T4 H0 | 1 |
| 98 | 50180751S1 | SHOCK ABSORBER FLUID 5 LT | x |
| 99 | RP10004 | REVISION KIT MONOSHOCK MINI 17 | 1 |

175040430

C175040430

* NEW PART X ON DEMAND



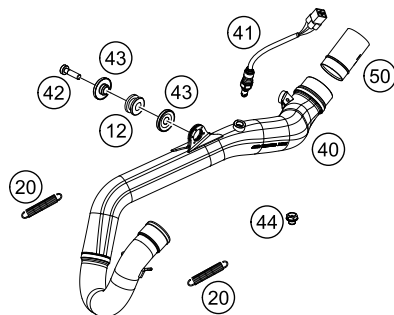
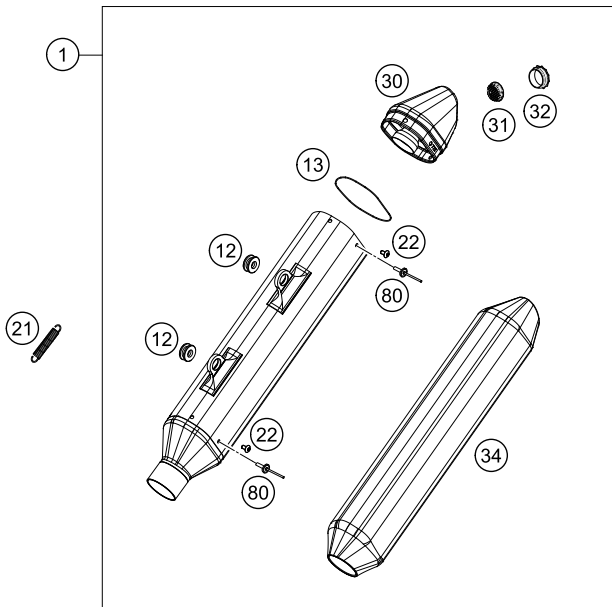
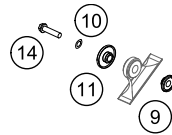
175040490

| POS | PARTNUMBER | PARTNAME | PIECE |
|-----|-------------|--------------------------------|-------|
| 1 | 79604030044 | SWING ARM CPL. PDS 2017 | 1 |
| 2 | 79004037000 | SWING ARM M16X1,5 2016 | 1 |
| 3 | 51504066000 | CHAIN SLID.GUARD PDS | 1 |
| 4 | 77304066050 | BUSHING F. CHAIN SLIDING PR.07 | 2 |
| 5 | 0009050106 | EJOT SPIRAL SCREW SF M5X10-K | 2 |
| 6 | 77313047000 | BRAKE HOSE GUIDE LOWER 07 | 1 |
| 7 | 59009062013 | SPECIAL SCREW M6X13 WS=8 10.9 | 2 |
| 8 | 77704034000 | SUPPORT F. SHAFT SEAL RING 16 | 4 |
| 9 | 0760253270 | SHAFT SEAL RING 25X32X7 | 6 |
| 10 | 59404032000 | BEARING SLEEVE 17X22X38,7 03 | 2 |
| 11 | 0618222812 | NEEDLEBEAR HK2212V 22/28/12 MB | 4 |
| 12 | 54603036000 | STOP DISK 22,2X31,7X1 | 2 |
| 14 | 78104070100 | CHAIN GUIDE EXC | 1 |
| 15 | 59009062019 | SPECIAL SCREW M6X19 WS=8 10.9 | 1 |
| 16 | 0025060506 | HH COLLAR SCREW M6X50 TX30 | 1 |
| 20 | 78104060000 | CHAINGUARD | 1 |
| 21 | 56509064100 | SELF LOCKING NUT M6 10.9 | 1 |
| 22 | 0017060205 | SCREW FOR PLASTIC K60X20 SW6 | 1 |
| 23 | 0021060003 | WASHER DIN9021-A 6,4 | 1 |
| 26 | 54804038000 | SELF LOCK.NUT M16X1,5 WS=19 03 | 1 |
| 27 | 77204041000 | CLOSING COVER | 4 |
| 29 | 54603055051 | PRESS IN NUT M6 STEEL ZINC | 1 |
| 95 | 79604090044 | PIVOT BEARING+BUSH. PDS '17 | 1 |
| 96 | 51504066044 | CHAIN SLIDING GUARD KIT 11-15 | 1 |
| 97 | 78904230010 | SWINGARM REPAIR KIT SX-F/XC-F | x |
| 98 | 78104060010 | CHAIN PROTECTION KIT EXC 12-14 | x |
| 99 | 78104070010 | CHAIN GUIDE KIT EXC 14-15 | x |

C175040490

* NEW PART

X ON DEMAND



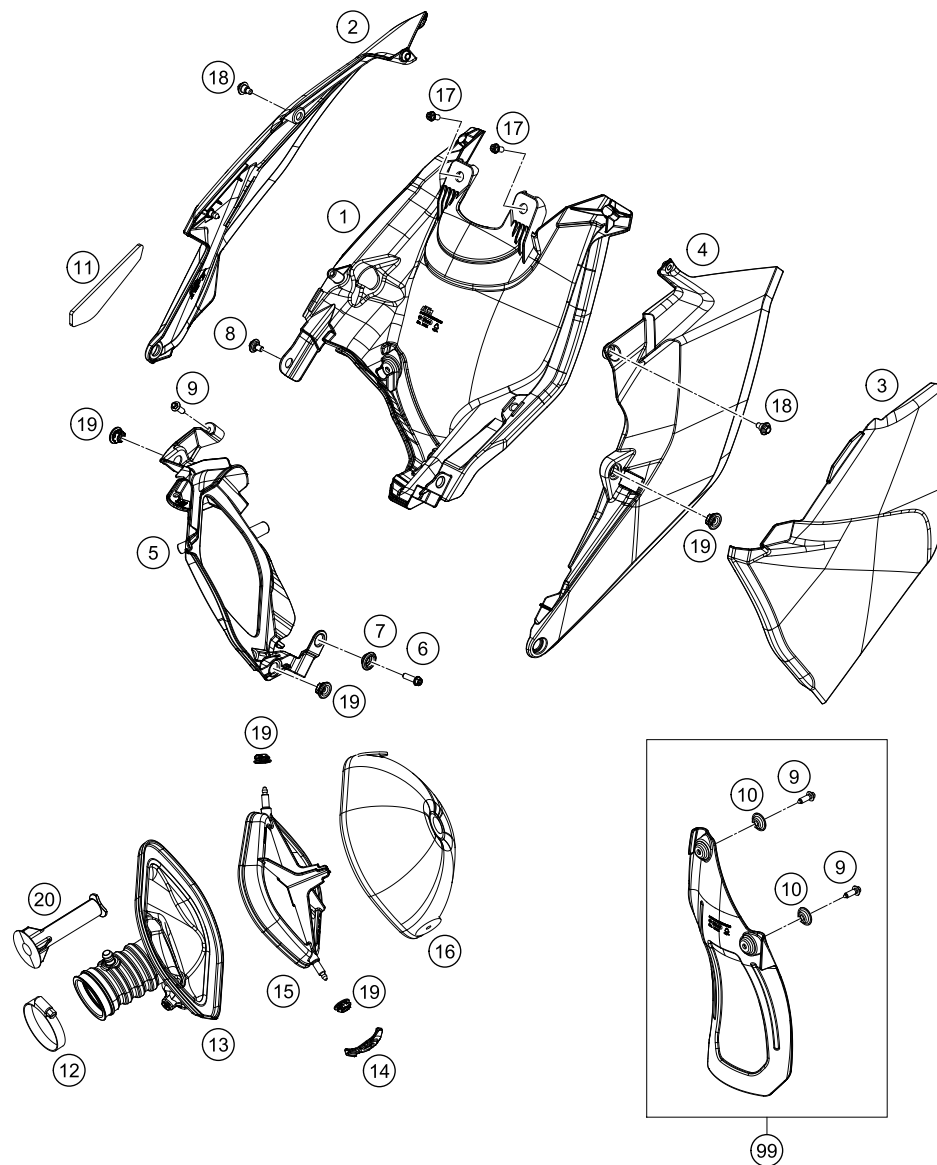
| POS | PARTNUMBER | PARTNAME | PIECE |
|-----|-------------|-------------------------------|-------|
| 1 | 79005081000 | MAIN SILENCER | 1 |
| 9 | 77205069000 | BUSHING 7.5x12x20x8.2 11 | 2 |
| 10 | 0137060003 | SPRING WASHER DIN0137-B 6 | 2 |
| 11 | 77205169000 | BUSHING 7.5x12x28x8.3 11 | 2 |
| 12 | 77205068000 | DAMP. COMPON. BLACK | 3 |
| 13 | 0770740015 | O-RING 74,00X1,50 FKM 75SH | 2 |
| 14 | 0025060356 | HH COLLAR SCREW M6X35 TX30 | 2 |
| 20 | 50305016000 | TEN.SPRING L=62MM EY.MOVEABLE | 2 |
| 21 | 50305116000 | TEN.SPRING L=75MM EY.MOVEABLE | 1 |
| 22 | 78105081010 | SCREW TORX M5X10 | 10 |
| 30 | 79005081060 | END CAP CPL. | 1 |
| 31 | 77005081065 | THROTTLE ELEMENT CPL. EXC 07 | 1 |
| 32 | 77005081055 | SIL. ELEMENT EXC-F 07 | 1 |
| 34 | 79005078640 | ROCK WOOL SHAPED PART | 1 |
| 40 | 79205009000 | EXHAUST MANIFOLD EXC | 1 |
| 41 | 75041090200 | LAMBDA SENSOR | 1 |
| 42 | 0035080306S | AH-COLLAR SCREW M8X30 ISA45 | 1 |
| 43 | 79005069000 | BUSHING 8,5X12X28X8,3 | 2 |
| 44 | 77405009065 | PLUG SCREW M12X1,25 WS17 | 1 |
| 50 | 79605091000 | PLUG IN CATALYTIC CONVERTER | 1 |
| 80 | 0011401200 | DUMMY RIVET 4,0X12 ALU | x |

177960511

C177960511

* NEW PART

X ON DEMAND



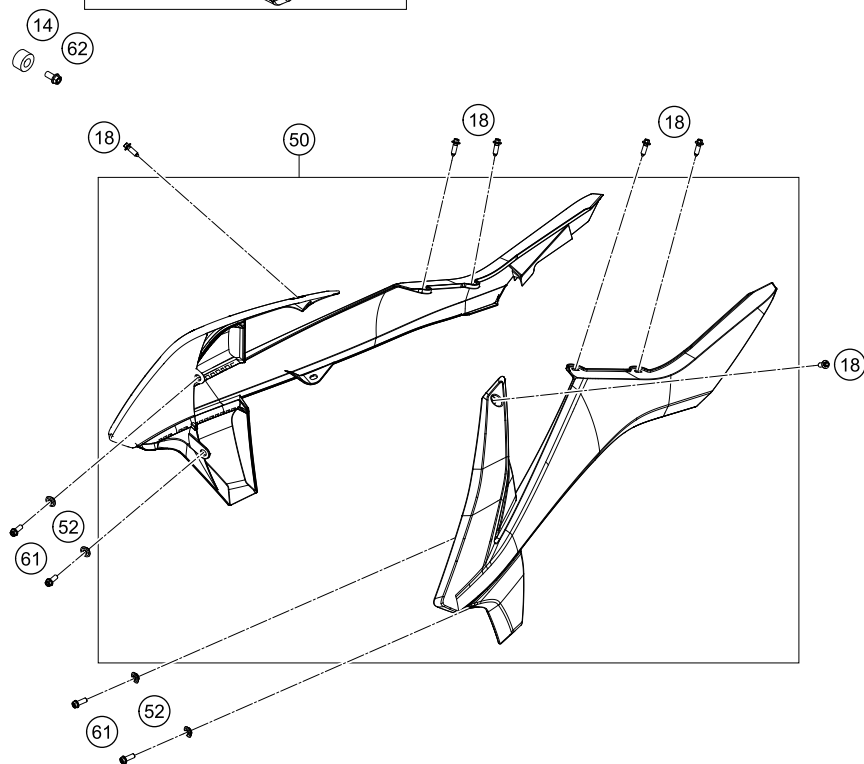
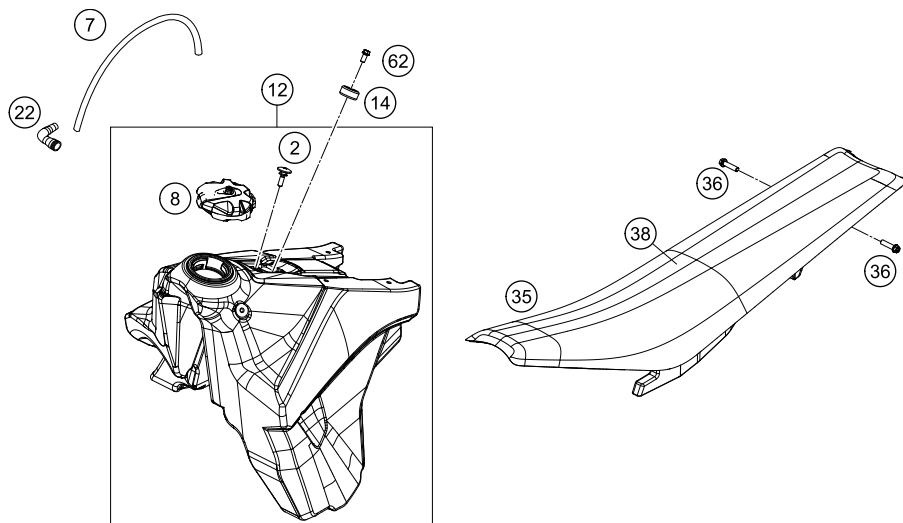
177960610

| POS | PARTNUMBER | PARTNAME | PIECE |
|-----|----------------|--------------------------------|-------|
| 1 | 7900600100033 | AIR BOX BOTTOM PART BLACK | 1 |
| 2 | 79006004000EBA | AIRBOX COVER RIGHT WITH DECAL | 1 |
| 3 | 79006003000EBA | AIRBOX COVER LEFT WITH DECAL | 1 |
| 4 | 7900600700028 | FILTERBOX SIDE | 1 |
| 5 | 7900600101033 | AIRBOX FRONT PART | 1 |
| 6 | 0025060206 | HH COLLAR SCREW M6X20 TX30 | 1 |
| 7 | 77308013010 | COLLAR BUSH. F.REAR FENDER 07 | 1 |
| 8 | 83008000015 | SPECIAL SCREW M6X15X3 | 1 |
| 9 | 0017060206 | SCREW F. PLASTIC K60X20AL SW6 | 3 |
| 10 | 77304066050 | BUSHING F. CHAIN SLIDING PR.07 | 2 |
| 11 | 79008013050 | THERMAL PROTECTION FOIL | 1 |
| 12 | 78006027000 | HOSE CLAMP 45-65MM | 1 |
| 13 | 79206026000 | INTAKE BELLOWS | 1 |
| 14 | 79006017000 | FILTER MOUNTING BRACKET | 1 |
| 15 | 79006016000 | AIR FILTER SUPPORT | 1 |
| 16 | 79006015000 | AIR FILTER | 1 |
| 17 | 0025060126 | HH COLLAR SCREW M6X12 TX30 | 2 |
| 18 | 59001092050 | SPECIAL SCREW M6X12,5 WS=8 | 2 |
| 19 | 47106003160 | QUICK CONNECTOR CLUTCH | 5 |
| 20 | 79406012050 | INTAKE THROTTLE D=16 | 1 |
| 99 | 79006010010 | SPLASH PROTECTOR KIT | 1 |

C177960610

* NEW PART

X ON DEMAND



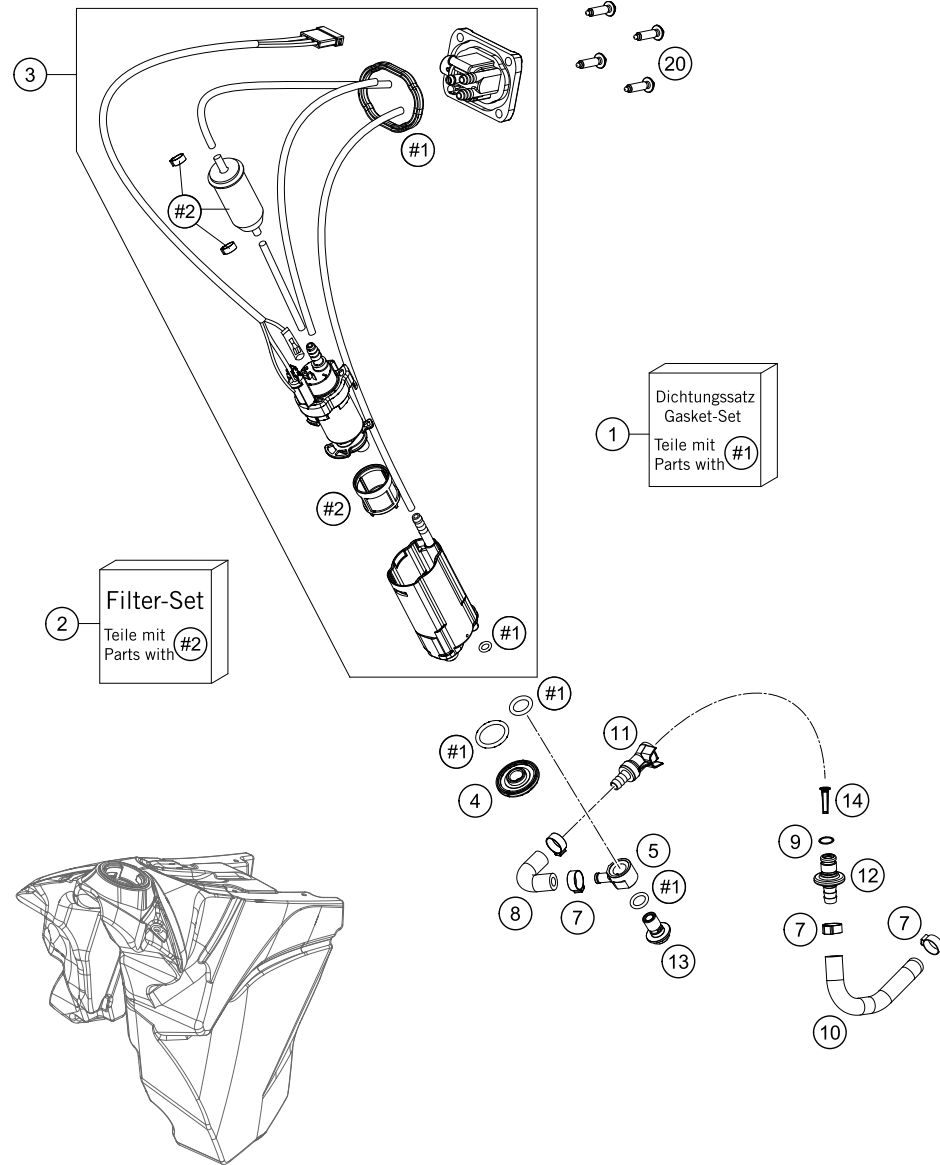
| POS | PARTNUMBER | PARTNAME | PIECE |
|-----|----------------|------------------------------------|-------|
| 2 | 50307011000 | SCREW SEAT FASTENING D=6X23/18 | 1 |
| 7 | 78007000270 | PVC-HOSE 5,6X10X270MM | 1 |
| 8 | 78107008044X4 | TANK PLUG CPL. 14 | 1 |
| 12 | 7900711304499 | FUEL TANK CPL. 8,5 L XC-F | 1 |
| 14 | 50307014000 | TANK ROLLER 12X26X12 '98 | 3 |
| 18 | 0017060206 | SCREW F. PLASTIC K60X20AL SW6 | x |
| 22 | 51030022000 | ANGLE PIECE 90 DEGREE M10X1 | 1 |
| 35 | 79007140000 | SEAT | 1 |
| 36 | 0025060206 | HH COLLAR SCREW M6X20 TX30 | 2 |
| 38 | 79007140050 | SEAT COVER | 1 |
| 50 | 7900805400030A | SPOILER KIT WXC/XC-W 17 WITH DECAL | 1 |
| 52 | 79608052000 | BUSH 6X11X16X5 MM | 4 |
| 61 | 0025060166 | HH COLLAR SCREW M6X16 TX30 | 4 |
| 62 | 0025060126 | HH COLLAR SCREW M6X12 TX30 | 3 |

167740710

C177960710

* NEW PART

X ON DEMAND



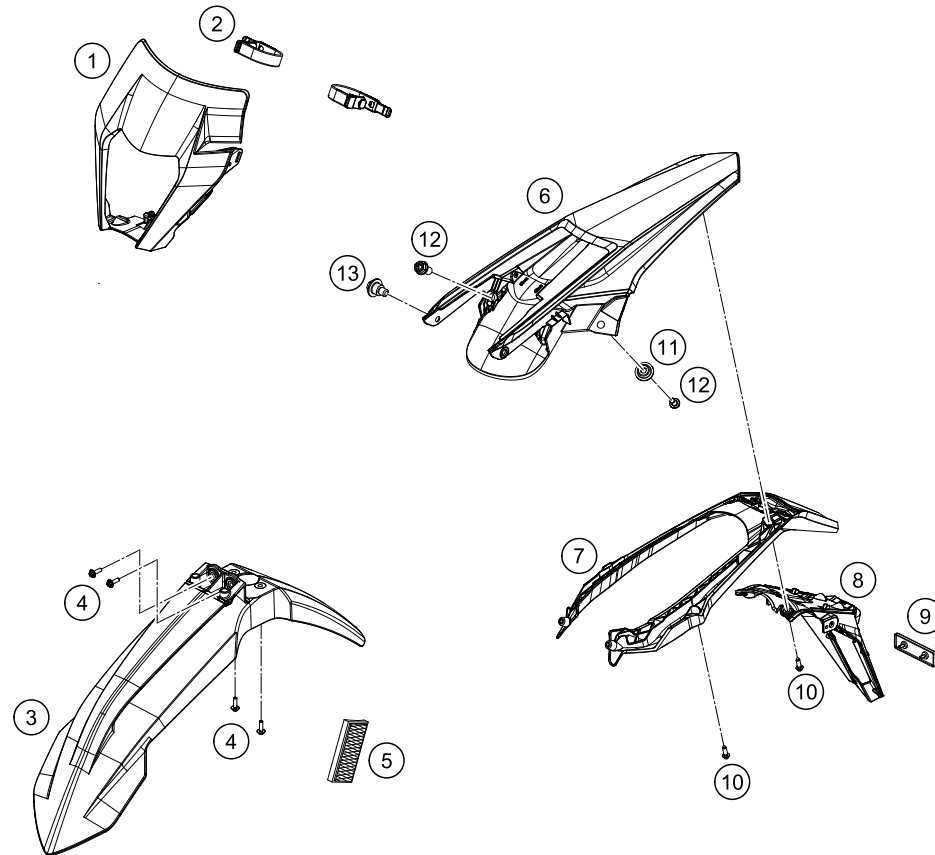
| POS | PARTNUMBER | PARTNAME | PIECE |
|-----|---------------|-------------------------------|-------|
| 1 | 78107089100 | GASKET KIT | 1 |
| 2 | 81207090100 | FILTER KIT | 1 |
| 3 | 78107088100 | FUEL PUMP CPL. | 1 |
| 4 | 78107088014 | NUT F. FUEL PUMP M12 | 1 |
| 5 | 79007089100 | FUEL CONNECTOR | 1 |
| 7 | 00050157706 | VARIABLE ONE-EAR CLAMP 15,7MM | 4 |
| 8 | 77407116000 | FUEL HOSE TANK | 1 |
| 9 | 58507012000 | O-RING VITON F. PLUG CPC 05 | 1 |
| 10 | 79007216000 | FUEL HOSE THROTTLE BODY | 1 |
| 11 | 5850701050030 | CLUTCH CPC BLACK 05 | 1 |
| 12 | 77707010000 | CONNECTOR FUEL PUMP | 1 |
| 13 | 79007090000 | FITTING FOR XPW-TANK | 1 |
| 14 | 78141013190 | FUEL FILTER | 1 |
| 20 | 0017060255 | EJOT PT SCREW K6X25-Z SW6 | 4 |

177960730

C177960730

* NEW PART

X ON DEMAND



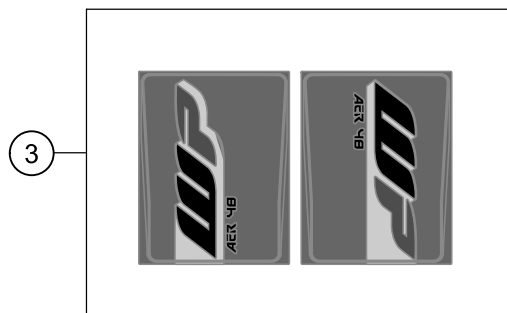
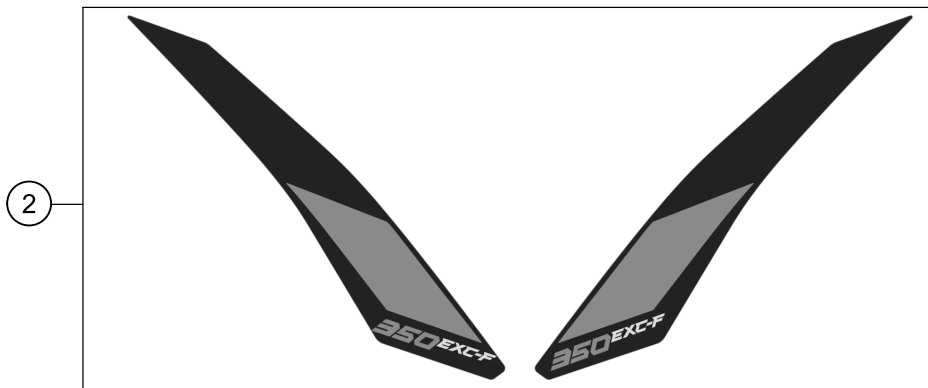
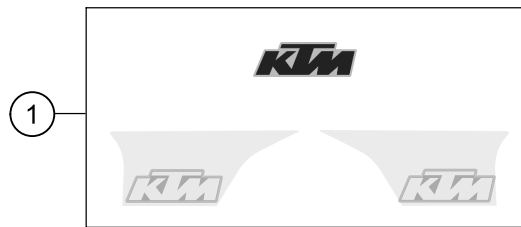
| POS | PARTNUMBER | PARTNAME | PIECE |
|-----|---------------|--------------------------------|-------|
| 1 | 79608001000EB | HEADLIGHT MASK | 1 |
| 2 | 78108003000 | MASK RUBBER | 2 |
| 3 | 79008010000EB | FRONT FENDER ORANGE 15 | 1 |
| 4 | 0025060166 | HH COLLAR SCREW M6X16 TX30 | 4 |
| 5 | 58412080300 | REFLECTOR YELLOW "CEV" | 2 |
| 6 | 79608013000EB | REAR FENDER EXC ORANGE | 1 |
| 7 | 79608015000 | LICENSE PLATE HOLDER EU | 1 |
| 8 | 79608016000 | LICENSE PLATE HOLDER-EXTENSION | 1 |
| 9 | 58412080200 | REFLECTOR RED "CEV" | 1 |
| 10 | 0017060205 | SCREW FOR PLASTIC K60X20 SW6 | 4 |
| 11 | 77308013010 | COLLAR BUSH. F.REAR FENDER 07 | 2 |
| 12 | 0025060126 | HH COLLAR SCREW M6X12 TX30 | 4 |
| 13 | 59001092050 | SPECIAL SCREW M6X12,5 WS=8 | 2 |

177960810

C177960810

* NEW PART

X ON DEMAND



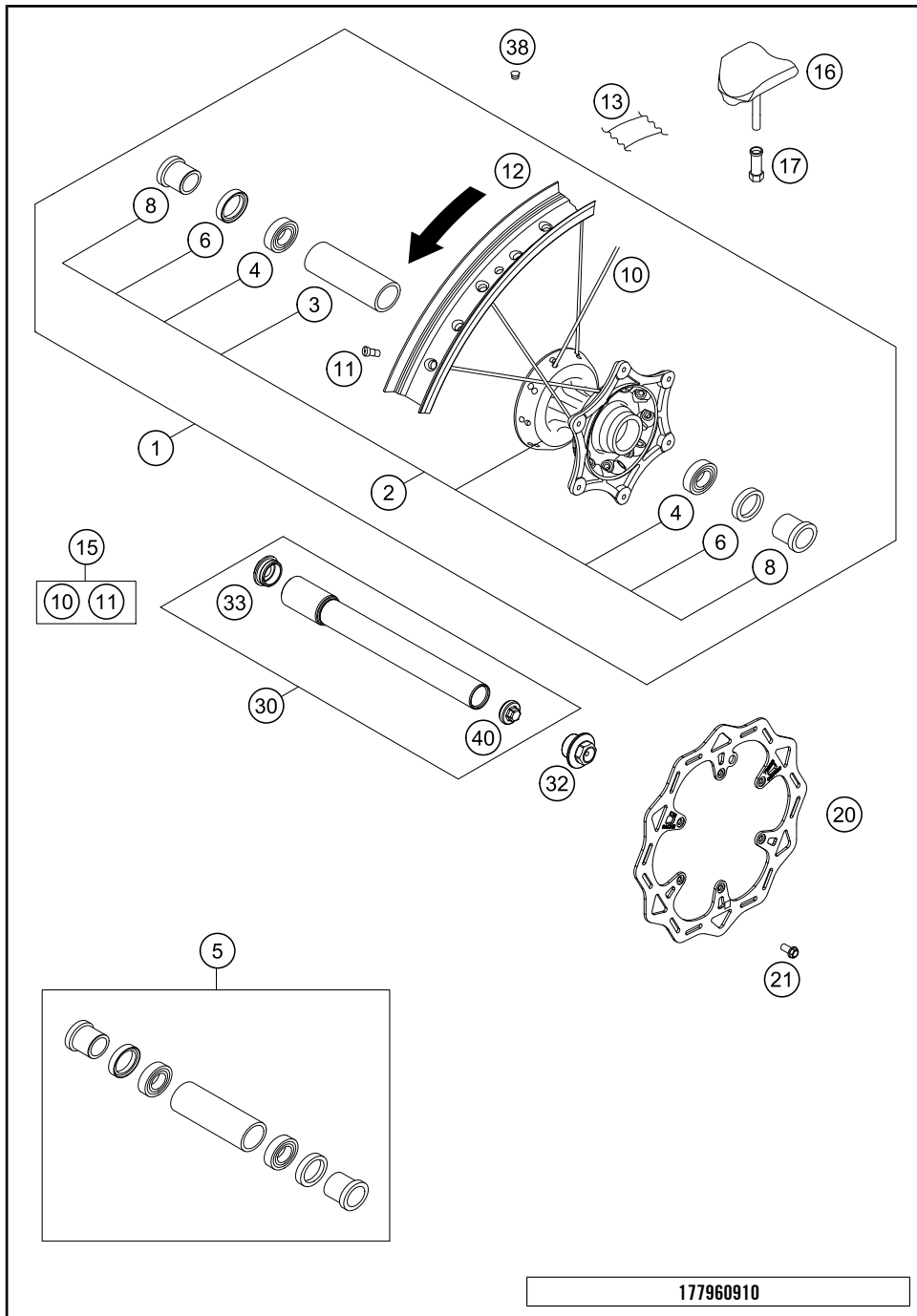
| POS | PARTNUMBER | PARTNAME | PIECE |
|-----|-------------|--------------------------------|-------|
| 1 | 79008099500 | DECAL SET EXC/XC-W 17 | 1 |
| 2 | 79008155005 | DECAL SET SPOILER 350 EXC-F 17 | 1 |
| 3 | 52000165 | FORK DECAL SET "XPLOR48" | 1 |

177960831

C177960831

* NEW PART

X ON DEMAND

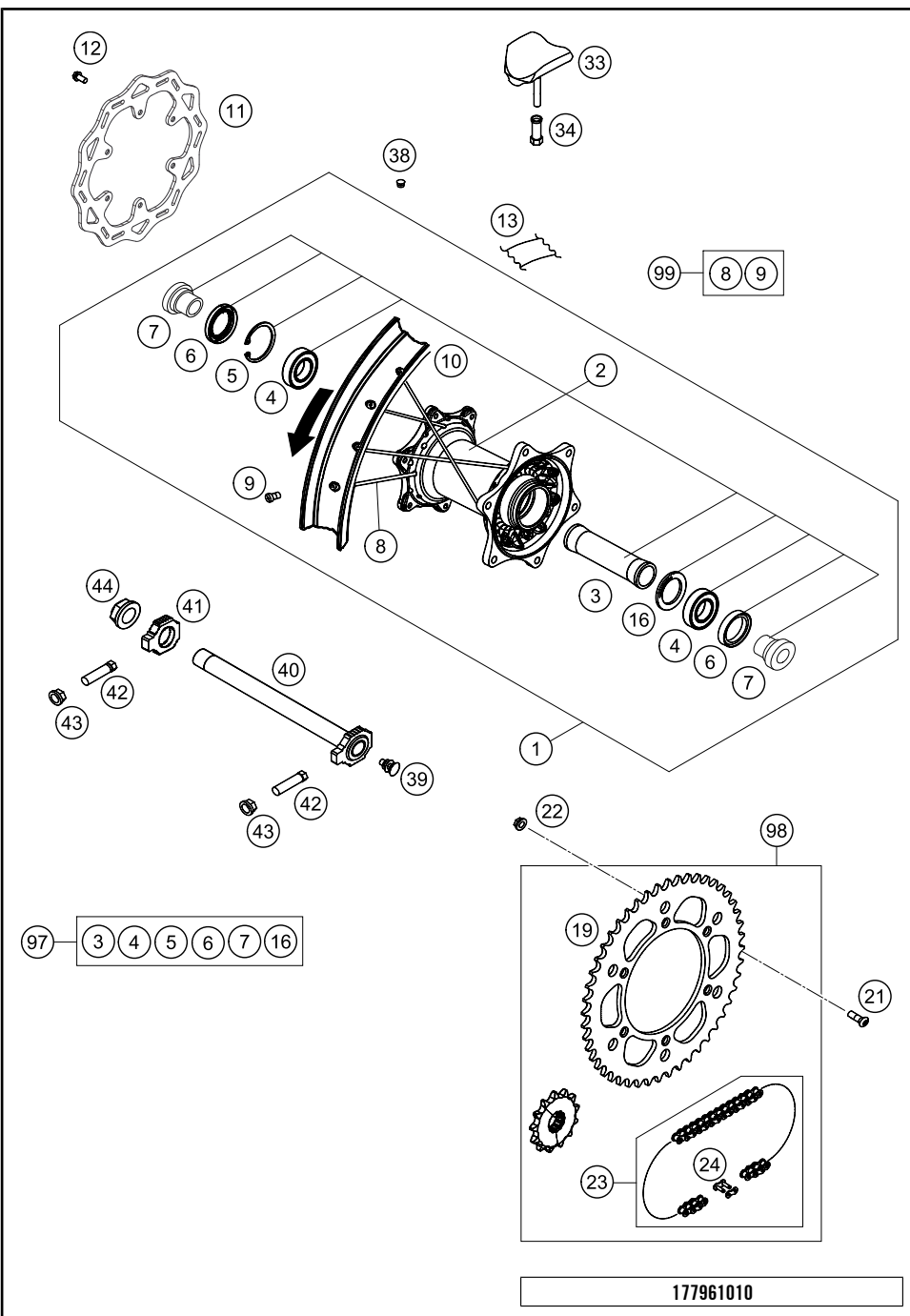


| POS | PARTNUMBER | PARTNAME | PIECE |
|-----|---------------|--------------------------------|-------|
| 1 | 7810900154430 | FRONTWHEEL CPL.1,6X21"GIANT 22 | 1 |
| 2 | 77709010144 | FRONT WHEEL HUB CPL. | 1 |
| 3 | 54809011000 | BEA.SPACERTUBE 35X2 L=79,4 03 | 1 |
| 4 | 0625069068 | GR.BALL BEAR.6906 DDU2CG23S6NM | 2 |
| 5 | 77709015000 | FRONT WHEEL REP. KIT SX-F USA | 1 |
| 6 | 0760354771 | SHAFT SEAL RING 35X47X7 TC | 2 |
| 8 | 77709012000 | SPACER BUSHING F. FR. WHEEL | 2 |
| 10 | 7710907122630 | SPOKE M4,5X226- 21" BLACK 12 | 36 |
| 11 | 77109072000 | SPOKE NIPPLE M4,5 AL 11 | 36 |
| 12 | 7810907000030 | % RIM FRONT 1,6X21" BLACK | 1 |
| 13 | 50309073000 | RIM BAND 21" | 1 |
| 15 | 00050000954 | SPOKE KIT FRONT "21" BLACK | x |
| 16 | 78109090000 | RIM LOCK 1,60" | 1 |
| 17 | 77110090050 | NUT FOR WHEEL HOLDER | 1 |
| 20 | 79009060000 | BRAKE DISC FRONT 260MM 16 | 1 |
| 21 | 59009062013 | SPECIAL SCREW M6X13 WS=8 10.9 | 6 |
| 30 | 77709081033 | WHEEL SPIN.FR. CPL. D=22 15 | 1 |
| 32 | 70009082000 | AXLESCREW M20X1.5; SW17 | 1 |
| 33 | 70009081050 | PLUG BUSHING SW17 '12 | 1 |
| 38 | 55003135000 | PLUG FOR RIM | x |
| 40 | 7770908107055 | AUXILIARY SCREW FRONT | 1 |

177960910

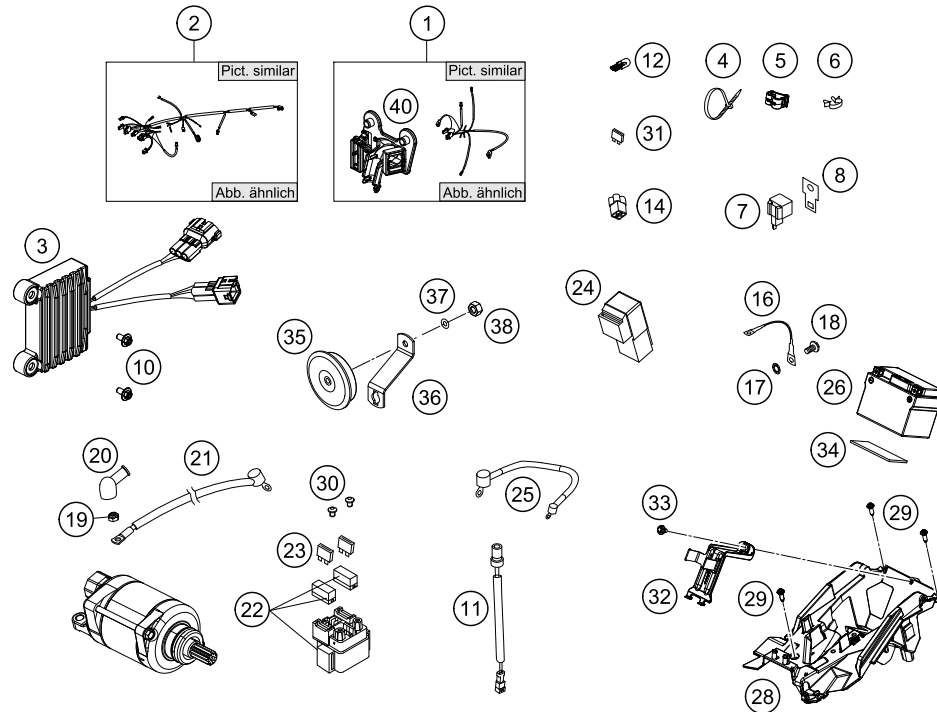
C177960910

* NEW PART X ON DEMAND



| POS | PARTNUMBER | PARTNAME | PIECE |
|-----|---------------|--------------------------------|-------|
| 1 | 5041000104430 | REAR WHEEL CPL. 2,15X18"BLACK | 1 |
| 2 | 26510010144 | REARHUB CPL. | 1 |
| 3 | 77710011000 | BEARING DISTANCE TUBE 121,5MM | 1 |
| 4 | 0625060058 | GR.BALL BEAR.6005 DDU2CG23S6NM | 2 |
| 5 | 0472047175 | CIRCLIP DIN0472-47X1,75 | 1 |
| 6 | 0760324771 | SHAFT SEAL RING 32X47X7 BSL | 2 |
| 7 | 78010016000 | BUSHING FOR HUB 08 | 2 |
| 8 | 7901007119330 | SPOKE M4,5X193-18" BLACK 16 | 36 |
| 9 | 77109072000 | SPOKE NIPPLE M4,5 AL 11 | 36 |
| 10 | 7811007000030 | % RIM REAR 2,15X18" BLACK | 1 |
| 11 | 79010060000 | BRAKE DISC REAR 220MM 16 | 1 |
| 12 | 59009062013 | SPECIAL SCREW M6X13 WS=8 10.9 | 6 |
| 13 | 50310073200 | RIM BAND 18" AND 19" | 1 |
| 16 | 77710015000 | DISTANCE RING | 1 |
| 19 | 7771015104801 | REAR SPROCKET 48-T | x |
| 19 | 7771015105001 | REAR SPROCKET 50-T | x |
| 19 | 7771015105201 | REAR SPROCKET 52-T | 1 |
| 21 | 0019080266S | COUNTER-SUNK SCREW ISA45 M8X26 | 6 |
| 22 | 06923080003 | HEXAGON NUT DIN EN1661 M8 SW13 | 6 |
| 23 | 78010167118 | CHAIN DID 118 LINKS | 1 |
| 24 | 78010166000 | CONNECTING LINK F. 78010167118 | 1 |
| 33 | 78110090000 | RIM LOCK 2,15" | 1 |
| 34 | 77110090050 | NUT FOR WHEEL HOLDER | 1 |
| 38 | 55003135000 | PLUG FOR RIM | x |
| 39 | 50210086000 | COVERING CAP SFL16 | x |
| 40 | 77310085044 | WHEEL SPINDLE RE. CPL.265MM 07 | 1 |
| 41 | 50310084000 | CHAIN TENSIONER R/S 2000 | 1 |
| 42 | 50304040100 | SCREW M10X1,25X50 WS=10 | 2 |
| 43 | 58414030000 | HH COLLAR NUT M10X1,25 WS=13 | 2 |
| 44 | 50310099000 | HEXAGON NUT M20X1,5 '98 | 1 |
| 97 | 78010015010 | REAR WHEEL REP. KIT | x |
| 98 | 00050002078 | DRIVETRAIN KIT EXC 14/52 | x |
| 99 | 00050000981 | SPOKE KIT REAR 18" EXC 17 | x |

* NEW PART X ON DEMAND



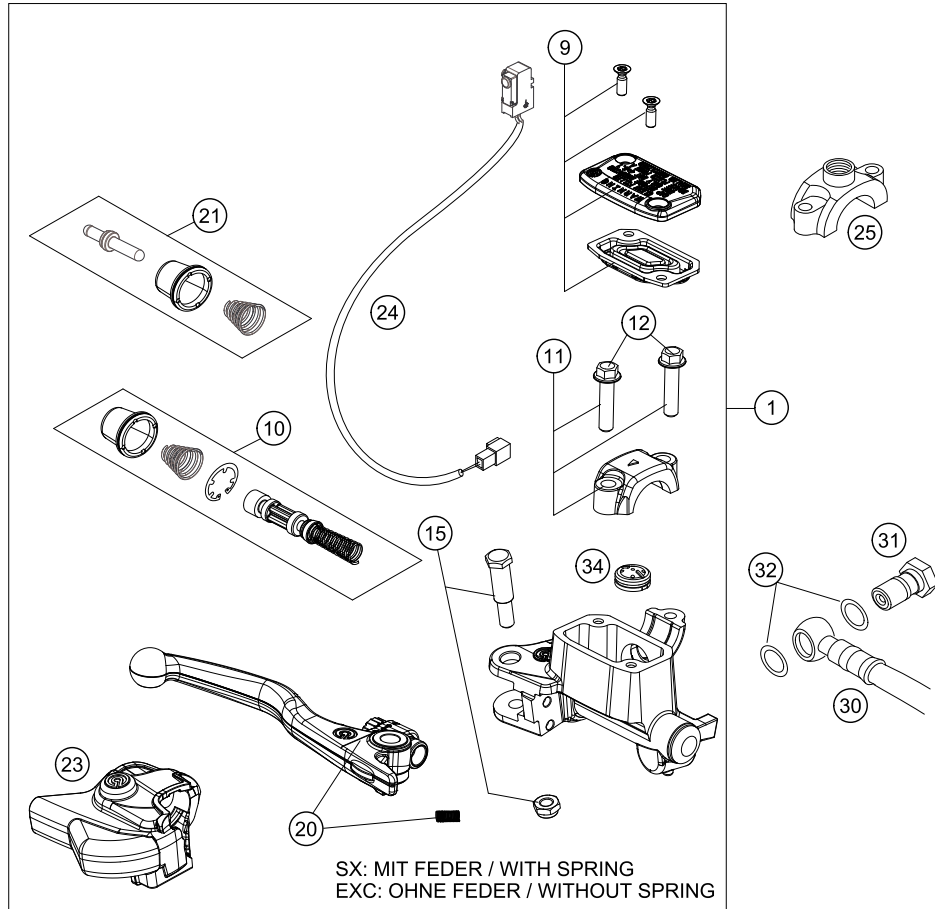
| POS | PARTNUMBER | PARTNAME | PIECE |
|-----|-------------|--------------------------------|-------|
| 1 | 77711079000 | WIRING HARNESS LIGHT CPL. EU | 1 |
| 2 | 79611075000 | MAIN WIRING HARNESS | 1 |
| 3 | 79611034000 | VOLTAGE REGULATOR | 1 |
| 4 | 44011076140 | CABLE TIE 140/2,5MM BLACK | x |
| 4 | 44011076200 | CABLE TIE 200/3,6MM BLACK | x |
| 4 | 44011076305 | CABLE TIE 300/4,8MM BLACK | x |
| 5 | 83013026000 | CABLE GUIDE | 2 |
| 6 | 57013072100 | WIRING HOLDER 16MM | 1 |
| 7 | 76511030000 | FLASHER UNIT | 1 |
| 8 | 58211031100 | BRACKET FOR FLASHER RELAY | 1 |
| 10 | 0024060156 | HH COLLAR SCREW M6X15 TX30 | 2 |
| 12 | 49111425200 | BULB 12V 2,3W (W2X4,6D) | 1 |
| 14 | 81211096000 | DUMMY PLUG AN 4-PIN | 1 |
| 16 | 58411097100 | GROUND CABLE D=6MM L=140MM '97 | 1 |
| 17 | 58411098100 | CONTACT WASHER M6 VSV-K6 | 1 |
| 18 | 0009050106 | EJOT SPIRAL SCREW SF M5X10-K | 1 |
| 19 | 0985060003 | SELF LOCK. NUT DIN0985-M 6 | 1 |
| 20 | 77240099000 | PROTECTION CAP F. STARTER ENG. | 1 |
| 21 | 58411059100 | STARTERCABLE 700 MM '97 | 1 |
| 22 | 58211058000 | STARTER RELAY 12V '99 | 1 |
| 23 | 58011109120 | FUSE 20 A | 2 |
| 24 | 61111057000 | RELAY CM1A-R-12V-H80 07 | 2 |
| 25 | 58711086000 | WIRING HARNESS BATTERY DUKE'99 | 1 |
| 26 | 77311953000 | LITHIUM ION BATTERY 5S | 1 |
| 28 | 79011055100 | BATTERY BOX | 1 |
| 29 | 0017060205 | SCREW FOR PLASTIC K60X20 SW6 | 3 |
| 30 | 0902060083 | AH OVAL SCREW ISO 7380 M 6X8 | 2 |
| 31 | 75011088005 | FUSE MINI 5A | x |
| 31 | 75011088010 | FUSE 10A 07 | x |
| 32 | 79011056100 | BATTERY BOX SUPPORT | 1 |
| 33 | 59001092050 | SPECIAL SCREW M6X12,5 WS=8 | 1 |
| 34 | 59003001099 | METAMOLL 90X45X3MM 03 | 1 |
| 35 | 50311060200 | DC HORN 12V 07 | 1 |
| 36 | 78011061000 | HORN BRACKET EXC 08 | 1 |
| 37 | 0125050003 | WASHER DIN0125-A 5,3 | 1 |
| 38 | 0934050003 | HEXAGON NUT DIN0934-M 5 | 1 |
| 40 | 77711083000 | SUPPORT BRACKET | 1 |

177961110

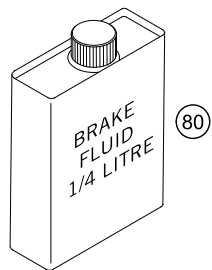
C177961110

* NEW PART

X ON DEMAND



| POS | PARTNUMBER | PARTNAME | PIECE |
|-----|-------------|---|-------|
| 1 | 77713001144 | HAND BREAK CYLIND. CPL. EXC 14 | 1 |
| 9 | 77713003000 | HAND BRAKE CYL. COVER | 1 |
| 10 | 77713008100 | REPAIR KIT PISTON EXC 2014 | 1 |
| 11 | 50313005000 | CLAMP CPL. NATURE | 1 |
| 12 | 0025060256 | HH COLLAR SCREW M6X25 TX30 | 2 |
| 15 | 77713006000 | LEVER SCREW | 1 |
| 20 | 77713002000 | HAND BRAKE LEVER +SPRING SX 14 SX WITH SPRING,EXC WITHOUT SP | 1 |
| 21 | 77713007100 | PUSH ROD CPL. EXC 2014 | 1 |
| 23 | 77713004000 | PROTECTION CAP HAND BRAKE CYL. | 1 |
| 24 | 77711050000 | BREAK LIGHT SWITCH FRONT 2014 | 1 |
| 25 | 58012040150 | CLAMP FOR MIRROR '94 | 1 |
| 30 | 77713010000 | BRAKE PIPE | 1 |
| 31 | 54813020100 | HOLLOW SCREW BLACK M10X1X19 | 1 |
| 32 | 0603100141 | COPPER GASKET DIN7603-10X14X1 | 2 |
| 34 | 54802051000 | VALVE | 1 |
| 80 | 00062030000 | BRAKE FLUID DOT5.1 0,25L | 1 |

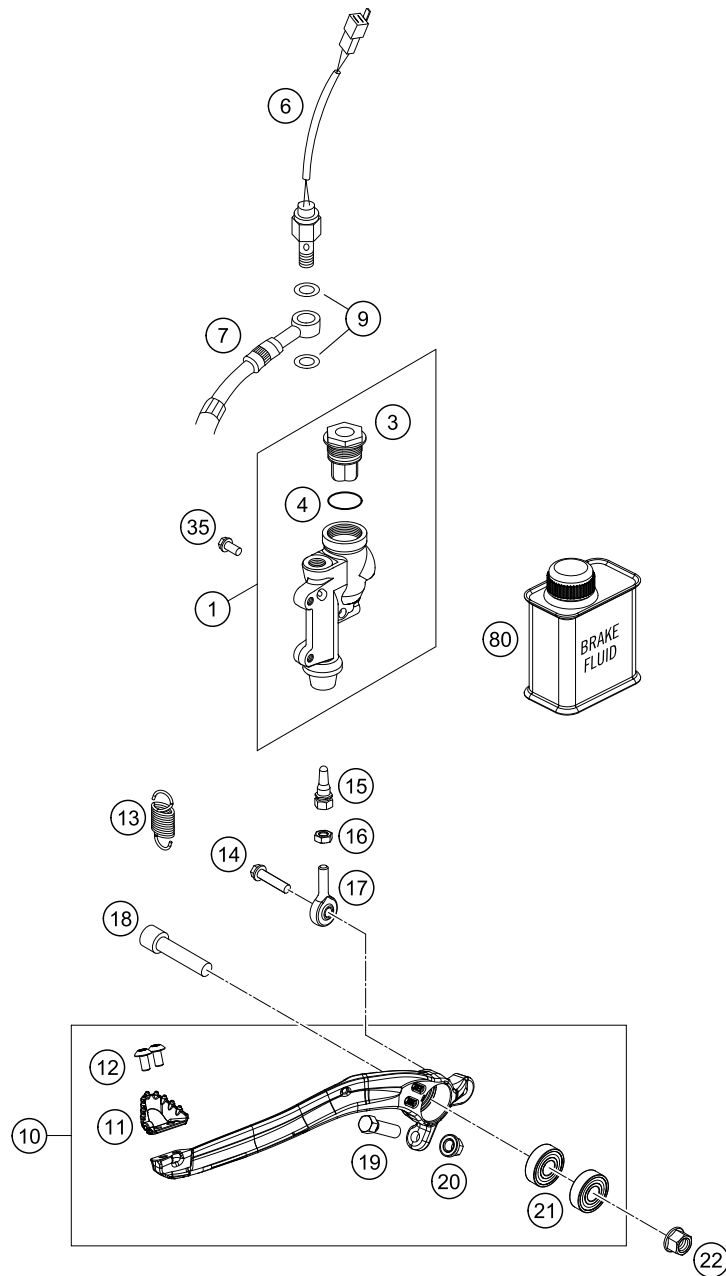


145031310

C177961310

* NEW PART

X ON DEMAND



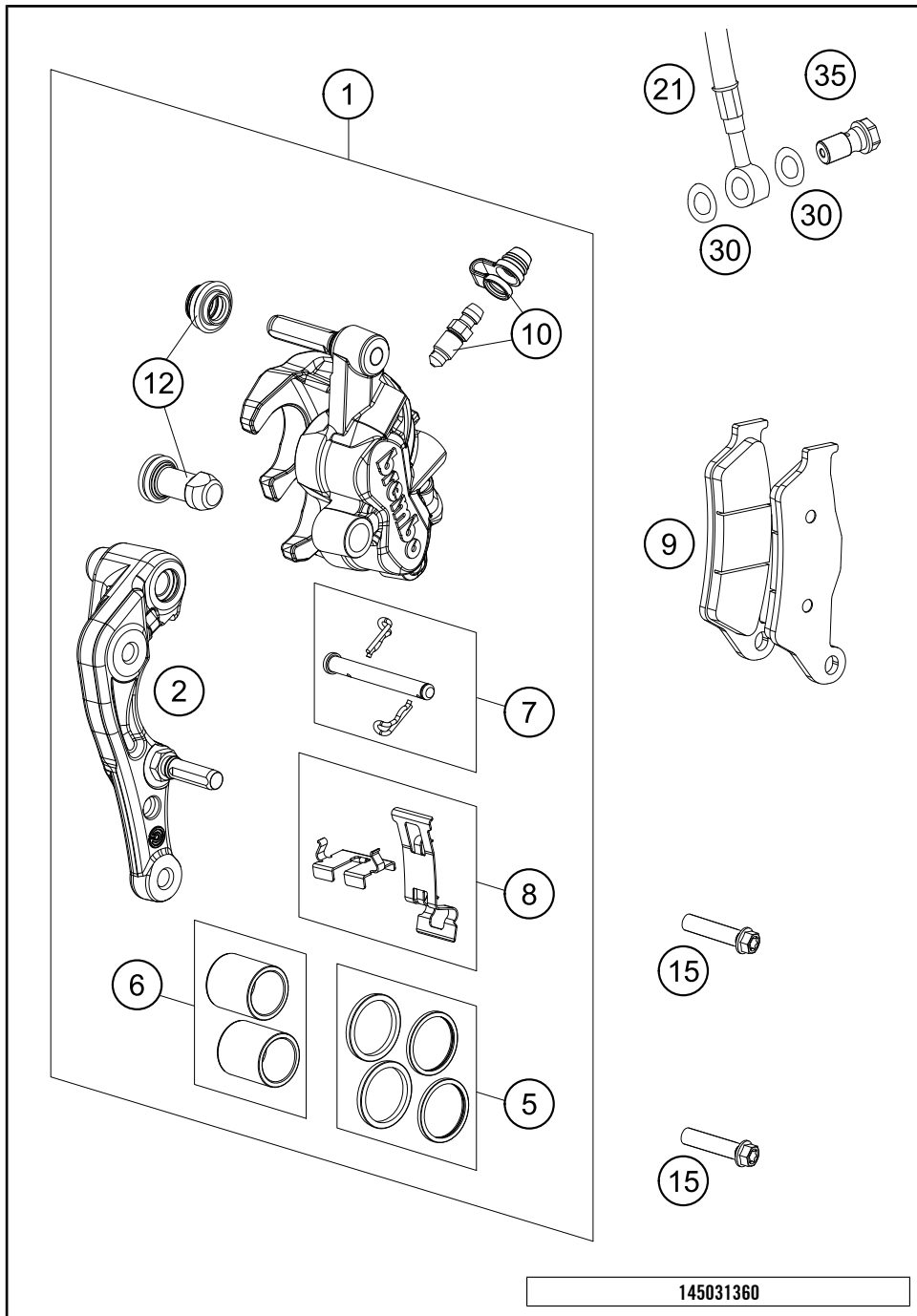
| POS | PARTNUMBER | PARTNAME | PIECE |
|-----|-------------|-------------------------------|-------|
| 1 | 77013060044 | REAR BRAKE CYLINDER CPL.SX 09 | 1 |
| 3 | 54813062100 | REAR BRAKE CYL. COVER CPL. 04 | 1 |
| 4 | 54813063000 | FOOT-BRAKE CYL. GASKET SX 03 | 1 |
| 6 | 50311051100 | BRAKE LIGHT SWITCH REAR '98 | 1 |
| 7 | 54813070100 | BRAKE HOSE REAR 655MM 15 | 1 |
| 9 | 0603100141 | COPPER GASKET DIN7603-10X14X1 | 2 |
| 10 | 55413050044 | FOOT BRAKE LEVER CPL. | 1 |
| 11 | 55413051000 | STEP PLATE FOOT BRAKE LEVER | 1 |
| 12 | 78105081010 | SCREW TORX M5X10 | 2 |
| 13 | 79003062000 | RETURN SPRING F. BRAKE LEVER | 1 |
| 14 | 0025060206 | HH COLLAR SCREW M6X20 TX30 | 1 |
| 15 | 54813056000 | PUSH ROD L=28MM 03 | 1 |
| 16 | 0934060003 | HEXAGON NUT DIN0934-M 6 | 1 |
| 17 | 54813055000 | SWIVEL HEAD KA6 03 | 1 |
| 18 | 0032100406S | AH-COLLAR SCREW M10X40 ISA45 | 1 |
| 19 | 59001037000 | SPECIAL SCREW M8X26 WS=10 | 1 |
| 20 | 46030045000 | COLLAR NUT M8 WS=10 | 1 |
| 21 | 0625060002 | BALL BEARING SKF 6000-2RS1 | 2 |
| 22 | 54630044000 | COLLAR NUT M10 WS=13 | 1 |
| 35 | 0025060126 | HH COLLAR SCREW M6X12 TX30 | 2 |
| 80 | 00062030000 | BRAKE FLUID DOT5.1 0,25L | 1 |

177961330

C177961330

* NEW PART

X ON DEMAND

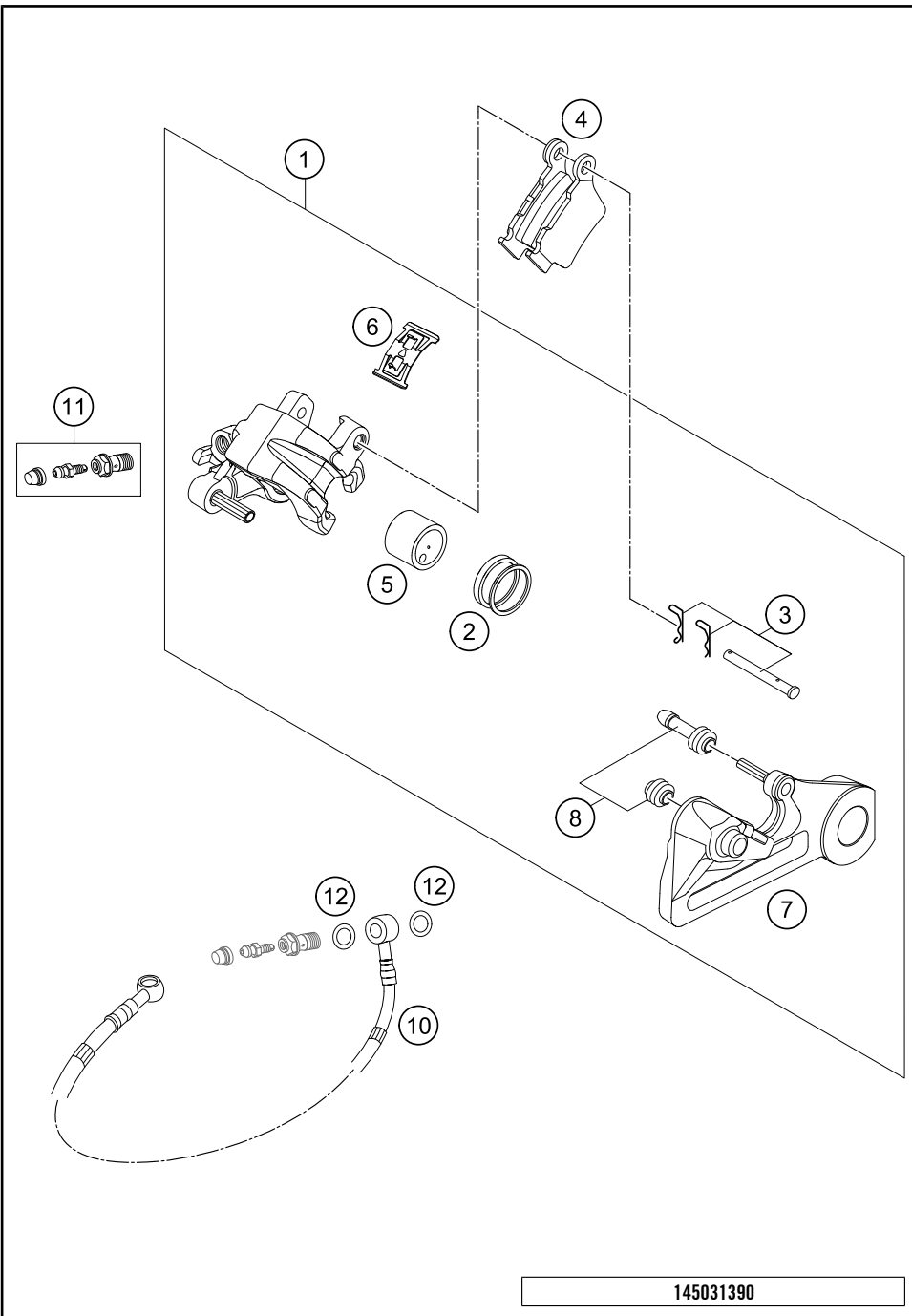


| POS | PARTNUMBER | PARTNAME | PIECE |
|-----|---------------|--------------------------------|-------|
| 1 | 7701301500101 | CALIPER NAT. WITHOUT PADS | 1 |
| 2 | 77013014000 | BRAKE CALIPER SUPPORT FRONT 09 | 1 |
| 5 | 77013021000 | REP. KIT SEALS 24MM | 1 |
| 6 | 77013019000 | REP. KIT PISTON 24MM | 1 |
| 7 | 77013017000 | BOLT CPL. 09 | 1 |
| 8 | 77013018000 | RETAINING PLATE SET BREMBO | 1 |
| 9 | 77713030000 | BRAKE PADS FRONT | 1 |
| 10 | 61013020100 | BLEEDER SCREW WITH CAP | 1 |
| 12 | 54613218000 | CUP SET SHORT | 1 |
| 15 | 0025080306S | HH COLLAR SCREW M8X30 TX40 | 2 |
| 21 | 77713010000 | BRAKE PIPE | 1 |
| 30 | 0603100141 | COPPER GASKET DIN7603-10X14X1 | 2 |
| 35 | 54813020100 | HOLLOW SCREW BLACK M10X1X19 | 1 |

145031360

C177961360

* NEW PART X ON DEMAND

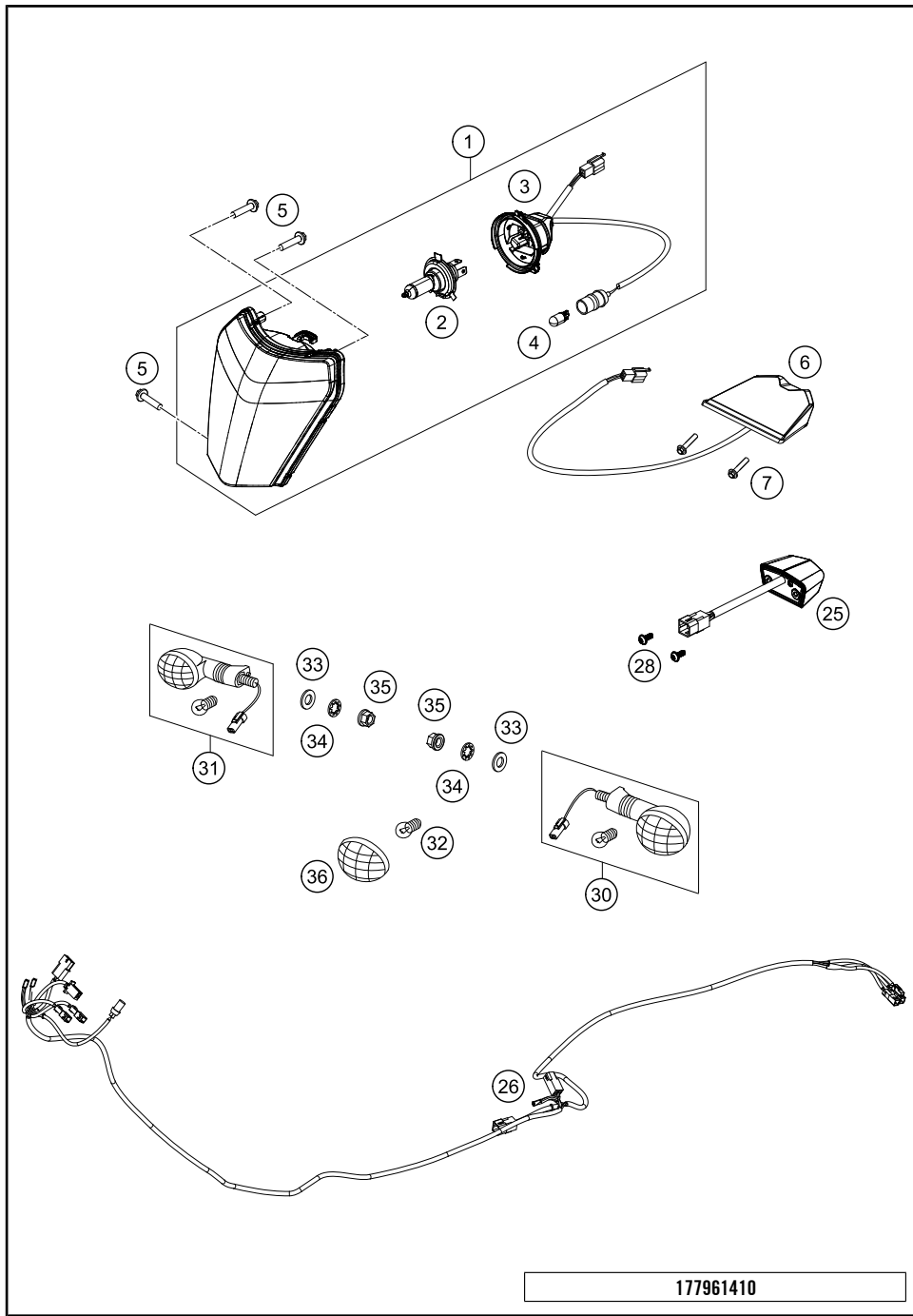


| POS | PARTNUMBER | PARTNAME | PIECE |
|-----|-------------|-------------------------------|-------|
| 1 | 79613080001 | BRAKE CALIPER REAR | 1 |
| 2 | 79013081000 | REPAIR KIT SEAL RING 24MM | 1 |
| 3 | 54813082000 | BOLT SET FOR BRAKE CALIPER 03 | 1 |
| 4 | 54813090300 | BRAKE PAD SET REAR TOYO | 1 |
| 5 | 79013083000 | BRAKE PISTON 24MM | 1 |
| 6 | 54813018000 | RETAINING SPRING SET 2003 | 1 |
| 7 | 54813075000 | BRAKE CALIPER SUPPORT REAR | 1 |
| 8 | 54613218000 | CUP SET SHORT | 1 |
| 10 | 54813070100 | BRAKE HOSE REAR 655MM 15 | 1 |
| 11 | 62513020000 | BLEEDER SCREW CPL. 05 | 1 |
| 12 | 0603100141 | COPPER GASKET DIN7603-10X14X1 | 2 |

145031390

C177961390

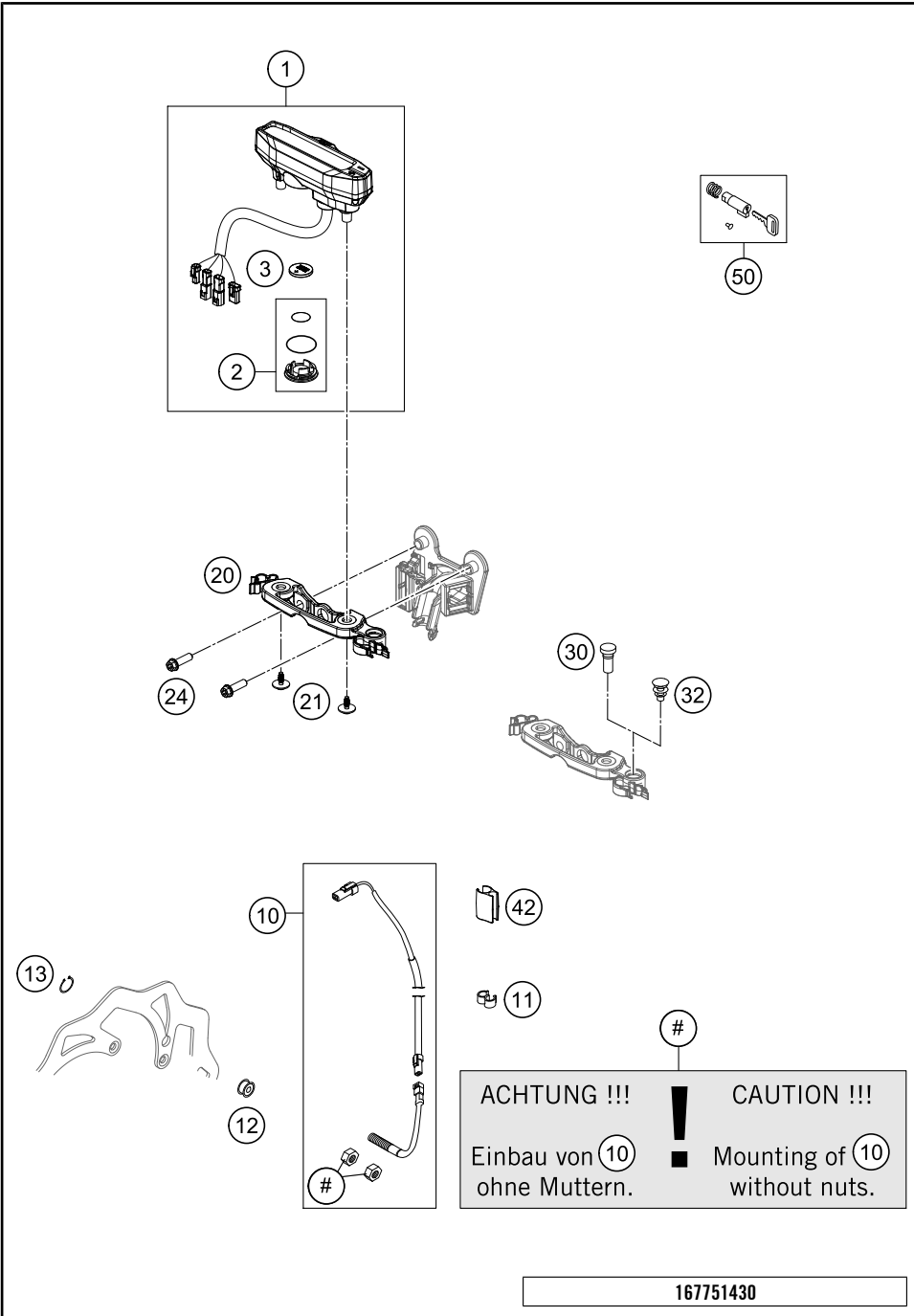
* NEW PART X ON DEMAND



| POS | PARTNUMBER | PARTNAME | PIECE |
|-----|-------------|-------------------------------|-------|
| 1 | 78114001000 | HEAD LIGHT CPL. 2013 | 1 |
| 2 | 54611038012 | BULB HS1 12V 35/35W WHITE | 1 |
| 3 | 78114001050 | LAMP BRACKET CPL. 2014 | 1 |
| 4 | 49011435100 | BULB 12V 5W (W2,1X9,5D) PHIL. | 1 |
| 5 | 0081050181 | SCREW FOR PLASTIC K50X18 T20 | 3 |
| 6 | 78114040000 | REAR LIGHT | 1 |
| 7 | 0017060255 | EJOT PT SCREW K60X25-Z SW6 | 2 |
| 25 | 60314047000 | NUMBER PLATE LIGHT | 1 |
| 26 | 77711081100 | TURN SIGNAL WIRING HARNESS | 1 |
| 28 | 0081050121 | SCREW FOR PLASTIC K50X12 T20 | 2 |
| 30 | 54814025200 | FLASHER CPL. FR.L/S RE.R/S 09 | 2 |
| 31 | 54814026200 | FLASHER CPL. FR.R/S RE.L/S 09 | 2 |
| 32 | 44111015100 | BULB 12V 10W (BA15S) | 4 |
| 33 | 0125100003 | WASHER DIN0125-A10,5 | 4 |
| 34 | 0797100003 | LOCK WASHER DIN6797-J10,5 ZI | 4 |
| 35 | 58414030000 | HH COLLAR NUT M10X1,25 WS=13 | 4 |
| 36 | 54814028000 | FLASHER LENS L/S R/S 05 | 4 |

* NEW PART

X ON DEMAND



| POS | PARTNUMBER | PARTNAME | PIECE |
|-----|-------------|---|-------|
| 1 | 77714069400 | TACHO DIGITAL KM/H F. 21" REPROGRAMMABLE: KM/H - MPH | 1 |
| 2 | 77714069010 | BATTERY COVER F. SPEEDOMETER | 1 |
| 3 | 58314068000 | BATTERY F. SPEEDOM. M.A.E. 02 | 1 |
| 10 | 54814068100 | CABLE FOR DIGITAL SPEEDOM. 06 | 1 |
| 11 | 60111094000 | CLIP 5/7 MM 06 | 2 |
| 12 | 54814069050 | MAGNET FOR DIGITAL SPEEDOM. 03 | 1 |
| 13 | 0471009104 | CIRCLIP DIN0471- 9X1 INOX | 1 |
| 20 | 77714060000 | SPEEDOMETER BRACKET EXC/XCW 14 | 1 |
| 21 | 0081645121 | EJOT DELTA PT SCREW 45X12-Z | 2 |
| 24 | 0024060206 | HH COLLAR SCREW M6X20 TX30 | 2 |
| 30 | 58011024300 | FLASHER INDICAT.LIGHT GREEN'98 | 1 |
| 32 | 50210086000 | COVERING CAP SFL16 | 1 |
| 42 | 54813026000 | CABLE SUPPORT 10/6MM 06 | 2 |
| 50 | 78003035000 | STEERING HEAD LOCK 08 | 1 |

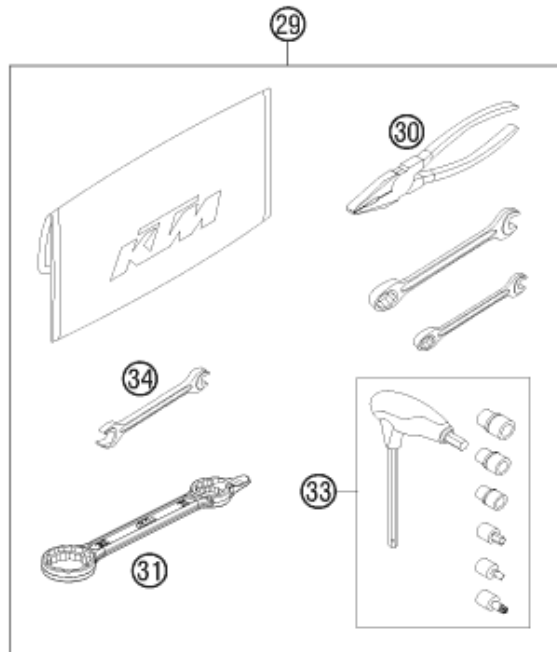
167751430

C177961430

* NEW PART X ON DEMAND

0
OHNE ABBILDUNG
WITHOUT ILLUSTRATION

1
TECHNISCHE DOKUMENTATION
TECHNICAL DOCUMENTATION
DOCUMENTACION TECNICA
DOCUMENTATION TECHNIQUE
NOTE TECNICHE



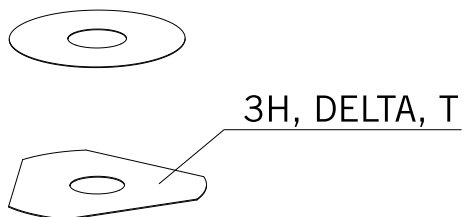
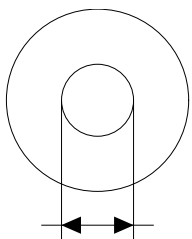
125482000

| POS | PARTNUMBER | PARTNAME | PIECE |
|-----|---------------|--------------------------------|-------|
| 0 | 312313 | KTM BALLPOINT PEN ORANGE | 1 |
| 0 | 3210039 | * CUSTOMER WELCOME LETTER | 1 |
| 0 | 312305 | DOCUMENTS BAG 2006 | 1 |
| 0 | 79603040033 | FOOTREST-SET | 1 |
| 0 | 58411098100 | CONTACT WASHER M6 VSV-K6 | 2 |
| 0 | 0025050126 | HH COLLAR SCREW M5X12 TX30 | 2 |
| 0 | 7900309400033 | FRAME PROTECTION SET BLACK | 1 |
| 0 | 58412080200 | REFLECTOR RED "CEV" | 1 |
| 0 | 0019080206S | FLAT HEAD SCREW M. ISA45 M8X20 | 1 |
| 0 | 77405009065 | PLUG SCREW M12X1,25 WS17 | 1 |
| 0 | 58012040000 | REAR MIRROR L/S | 1 |
| 0 | 58012140000 | REAR MIRROR R/S | 1 |
| 0 | 58012040150 | CLAMP FOR MIRROR '94 | 2 |
| 0 | 77229072000 | SPARK PLUG WRENCH | 1 |
| 0 | 00063004202 | PRINT LABEL 60X51 MM | 1 |
| 0 | 79608016000 | LICENSE PLATE HOLDER-EXTENSION | 1 |
| 0 | 79612099000 | BYPACK TURN SIGNAL 2017 | 1 |
| 0 | 79233029013 | SPROCKET 13T | 1 |
| 0 | 77702179000EB | HAND GUARDS CPL.L/S+R/S ORANGE | 1 |
| 0 | 77202002144 | BAR PAD CPL. | 1 |
| 0 | 00063004012 | HEADLIGHT MASK BOX | 1 |
| 0 | 79002014100 | SETTING 4-T 39,5 MM 16 | 1 |
| 0 | 81212016100 | WASH CAP SET | 1 |
| 0 | 81211096000 | DUMMY PLUG AN 4-PIN | 1 |
| 0 | 52000165 | FORK DECAL SET "XPLOR48" | 1 |
| 0 | 78141013190 | FUEL FILTER | 3 |
| 1 | 3213480EN | OWNERS MANUAL 350 EXC-F 2017 | 1 |
| 29 | 54829099100 | TOOL KIT 2012 | 1 |
| 30 | 53012028200 | GRIP ORANGE B&F | 1 |
| 31 | 50329080100 | WRENCH SW=17/21/27/32 B&F | 1 |
| 33 | 60029070300 | T-WRENCH WS=6/8/10/TX45/SK4X1 | 1 |
| 34 | 50329072000 | SPOKE-SPANNER WS 7/10 | 1 |

C177962001

* NEW PART

X ON DEMAND



- ⑤ Ø 5 mm
- ⑥ Ø 6 mm
- ⑧ Ø 8 mm
- ⑩ Ø 10 mm
- ⑫ Ø 12 mm
- ⑭ Ø 14-14,5 mm
- ⑯ Ø 16 mm
- ⑳ Ø 20 mm
- ㉑ Ø 21 mm
- ㉒ Ø 22 mm
- ㉓ Ø 23 mm
- ㉔ Ø 24,5 mm
- ㉘ Ø 28,5 mm
- ㉚ Ø 32 mm
- ㉜ Ø 52 mm

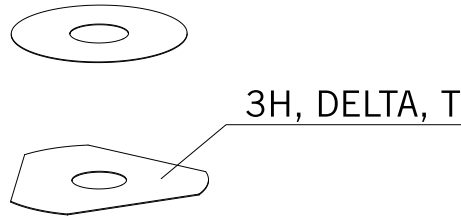
| POS | PARTNUMBER | PARTNAME | PIECE |
|-----|------------|---------------------|-------|
| 5 | 44906890 | WASHER 5X15X2 | X |
| 6 | 40540400 | SHIM 6X12X0,1 | X |
| 6 | 40540401 | SHIM 6X14X0,1 | X |
| 6 | 40540402 | SHIM 6X16X0,1 | X |
| 6 | 40540403 | SHIM 6X18X0,1 | X |
| 6 | 40540404 | SHIM 6X12X0,15 | X |
| 6 | 40540405 | SHIM 6X14X0,15 | X |
| 6 | 40540406 | SHIM 6X16X0,15 | X |
| 6 | 40540407 | SHIM 6X18X0,15 | X |
| 6 | 40540408 | SHIM 6X12X0,2 | X |
| 6 | 40540409 | SHIM 6X14X0,2 | X |
| 6 | 40540410 | SHIM 6X16X0,2 | X |
| 6 | 40540411 | SHIM 6X18X0,2 | X |
| 6 | 48600095 | * SHIM 6X20X0,20 | X |
| 6 | 40540412 | SHIM 6X12X0,25 | X |
| 6 | 40540413 | SHIM 6X14X0,25 | X |
| 6 | 40540414 | SHIM 6X16X0,25 | X |
| 6 | 40540415 | SHIM 6X18X0,25 | X |
| 6 | 40540417 | SHIM 6X8,5X0,10 | X |
| 6 | 40540418 | SHIM 6X9X0,10 | X |
| 6 | 40540419 | SHIM 6X9,5X0,10 | X |
| 6 | 40540423 | SHIM 6X9,5X0,15 | X |
| 6 | 40540425 | SHIM 6X8,5X0,20 | X |
| 6 | 40540426 | SHIM 6X9X0,20 | X |
| 6 | 40540427 | SHIM 6X9,5X0,20 | X |
| 6 | 40540447 | SHIM 6X10X0,3 | X |
| 6 | 40540449 | SHIM 6X9X0,3 | X |
| 6 | 40540450 | SHIM 6X9,5X0,3 | X |
| 6 | 40540494 | SHIM 6X18X0,4 | X |
| 6 | 40540774 | SHIM 6X18X0,1 DELTA | X |
| 6 | 40541383 | SHIM 6X11X0,1 | X |
| 6 | 40541391 | SHIM 6X11X0,3 | X |
| 6 | 40541402 | SHIM 6X11X0,2 | X |
| 6 | 40541403 | SHIM 6X10X0,20 | X |
| 6 | 40541404 | SHIM 6X10X0,1 | X |
| 6 | 40541405 | SHIM 6X10X0,15 | X |
| 6 | 40541406 | SHIM 6X11X0,15 | X |
| 6 | 40541408 | SHIM 6X8,0X0,30 | X |

080000190

C130009090

* NEW PART

X ON DEMAND



- ⑤ Ø 5 mm
- ⑥ Ø 6 mm
- ⑧ Ø 8 mm
- ⑩ Ø 10 mm
- ⑫ Ø 12 mm
- ⑭ Ø 14-14,5 mm
- ⑯ Ø 16 mm
- ⑳ Ø 20 mm
- ㉑ Ø 21 mm
- ㉒ Ø 22 mm
- ㉓ Ø 23 mm
- ㉔ Ø 24,5 mm
- ㉘ Ø 28,5 mm
- ㉚ Ø 32 mm
- ㉜ Ø 52 mm

| POS | PARTNUMBER | PARTNAME | PIECE |
|-----|------------|----------------------|-------|
| 6 | 40541414 | SHIM 6X8,0X0,10 | X |
| 6 | 40541416 | SHIM 6X8X0,3 | X |
| 6 | 40541417 | SHIM 6X11X0,25 | X |
| 6 | 48600102 | * SHIM 6X24X0,25 | X |
| 6 | 48600063 | SHIM 6X24X0,1 | X |
| 6 | 48600064 | SHIM 6X22X0,1 | X |
| 6 | 48600065 | SHIM 6X20X0,1 | X |
| 6 | 48600069 | SHIM 6X20X0,15 | X |
| 6 | 48600100 | SHIM 6X24X0,15 | X |
| 6 | 48600116 | SHIM 6X24X0,1 DELTA | X |
| 6 | 48600139 | SHIM 6X22X0,1 DELTA | X |
| 6 | 48600217 | BACKPLATE 6X10X0,25 | X |
| 6 | 48600325 | SHIM 6X13X0,1 | X |
| 6 | 48600327 | SHIM 6X15X0,1 | X |
| 6 | 48600329 | SHIM 6X17X0,1 | X |
| 6 | 48600331 | SHIM 6X19X0,1 | X |
| 6 | 48600096 | * SHIM 6X20X0,25 | X |
| 6 | 48600097 | SHIM 6X22X0,15 | X |
| 6 | 48600099 | * SHIM 6X22X0,25 | X |
| 6 | 40540448 | BACKPLATE 6X8,5X0,30 | X |
| 6 | 48600479 | SHIM 6X20X0,1 T/3H | X |
| 6 | 48600332 | SHIM 6X21X0,1 | X |
| 6 | 48600333 | SHIM 6X23X0,1 | X |
| 6 | 40541393 | * SHIM 6X12X0,3 | X |
| 6 | 48600330 | SHIM 6X17X0,15 | X |
| 6 | 48600988 | SHIM 6X28X0,10 | X |
| 6 | 48600989 | SHIM 6X26X0,10 | X |
| 6 | 48601091 | SHIM 6X28X0,15 | X |
| 6 | 48601093 | SHIM 6X26X0,15 | X |
| 6 | 48600328 | SHIM 6X15X0,15 | X |
| 6 | 48600326 | SHIM 6X13X0,15 | X |
| 6 | 48601548 | SHIM 6X17X1,5 | X |
| 6 | 48601693 | SHIM 6X18X3 | X |
| 6 | 48600098 | * SHIM 6X22X0,20 | X |
| 6 | 48601300 | WASHER 6X25X1,5 | X |
| 6 | 48601692 | SHIM 6X30X0,15 | X |
| 6 | 48601550 | SHIM 6X30X0,10 | X |
| 8 | 40540477 | SHIM 8X18X0,4 | X |

080000190

C130009090

* NEW PART

X ON DEMAND



- ⑤ Ø 5 mm
- ⑥ Ø 6 mm
- ⑧ Ø 8 mm
- ⑩ Ø 10 mm
- ⑫ Ø 12 mm
- ⑭ Ø 14-14,5 mm
- ⑯ Ø 16 mm
- ⑳ Ø 20 mm
- ㉑ Ø 21 mm
- ㉒ Ø 22 mm
- ㉓ Ø 23 mm
- ㉔ Ø 24,5 mm
- ㉘ Ø 28,5 mm
- ㉚ Ø 32 mm
- ㉜ Ø 52 mm

| POS | PARTNUMBER | PARTNAME | PIECE |
|-----|------------|------------------------|-------|
| 8 | 43570120 | SHIM 8X18X0,10 | X |
| 8 | 44916098 | WASHER 8,4X16X0,8 | X |
| 8 | 44916130 | WASHER 8,2X15X1 | X |
| 8 | 44916180 | WASHER 8,2X11X1 | X |
| 8 | 48600214 | SHIM 8X16X0,1 | X |
| 8 | 48600385 | SHIM 8x14x0.25 | X |
| 8 | 48600346 | SHIM 8X11X0,2 | X |
| 8 | 48600215 | CHECK VALVE 8X20X0,1 | X |
| 8 | 48600485 | SHIM 8X10X0,10 | X |
| 8 | 48601402 | SHIM 8X13X0,10 | X |
| 8 | 48600350 | CHECK VALVE 8X16X0,15 | X |
| 8 | 48600061 | CHECK VALVE 8X24X0,4 | X |
| 8 | 48600062 | CHECK VALVE 8X24X0,1 | X |
| 8 | 48600216 | CHECK VALVE 8X22X0,1 | X |
| 8 | 48600480 | SHIM 8X10X0,20 | X |
| 8 | 48600555 | SHIM 8X16X0,20 | X |
| 8 | 48600213 | SHIM 8X14X0,10 | X |
| 8 | 48600357 | CHECK VALVE 8X11X0,1 | X |
| 8 | 48600351 | CHECK VALVE 8X12X0,1 | X |
| 8 | 48600607 | Steering damper washer | X |
| 8 | 48601095 | SHIM 8X17X0,10 | X |
| 8 | 48600352 | CHECK VALVE 8X11X0,4 | X |
| 10 | 36120284 | SHIM 10X16X0,10 | X |
| 10 | 36120298 | SHIM 10X16X0,2 | X |
| 10 | 36120312 | SHIM 10X16X0,30 | X |
| 10 | 36120314 | SHIM 10X18X0,30 | X |
| 10 | 36120325 | SHIM 10X19X0,15 | X |
| 10 | 36120327 | SHIM 10X23X0,15 | X |
| 10 | 36120328 | SHIM 10X25X0,15 | X |
| 10 | 36120329 | SHIM 10X27X0,15 | X |
| 10 | 36120330 | SHIM 10X29X0,15 | X |
| 10 | 36120331 | SHIM 10X31X0,15 | X |
| 10 | 36120332 | SHIM 10X33X0,15 | X |
| 10 | 36120334 | SHIM 10X21X0,20 | X |
| 10 | 36120335 | SHIM 10X23X0,20 | X |
| 10 | 36120336 | SHIM 10X25X0,20 | X |
| 10 | 36120337 | SHIM 10X27X0,20 | X |
| 10 | 36120338 | SHIM 10X29X0,20 | X |

080000190

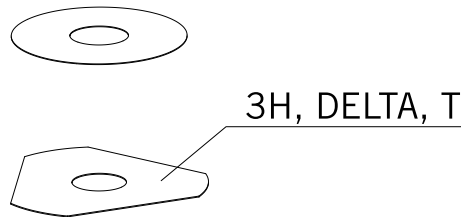
C130009090

* NEW PART

X ON DEMAND



- ⑤ Ø 5 mm
- ⑥ Ø 6 mm
- ⑧ Ø 8 mm
- ⑩ Ø 10 mm
- ⑫ Ø 12 mm
- ⑭ Ø 14-14,5 mm
- ⑯ Ø 16 mm
- ⑳ Ø 20 mm
- ㉑ Ø 21 mm
- ㉒ Ø 22 mm
- ㉓ Ø 23 mm
- ㉔ Ø 24,5 mm
- ㉘ Ø 28,5 mm
- ㉚ Ø 32 mm
- ㉜ Ø 52 mm



| POS | PARTNUMBER | PARTNAME | PIECE |
|-----|------------|-------------------|-------|
| 10 | 36120339 | SHIM 10X31X0,20 | X |
| 10 | 36120340 | SHIM 10X33X0,20 | X |
| 10 | 36120342 | SHIM 10X21X0,25 | X |
| 10 | 36120343 | SHIM 10X23X0,25 | X |
| 10 | 36120344 | SHIM 10X25X0,25 | X |
| 10 | 36120345 | SHIM 10X27X0,25 | X |
| 10 | 36120349 | SHIM 10X19X0,30 | X |
| 10 | 36120350 | SHIM 10X21X0,30 | X |
| 10 | 36120313 | * SHIM 10X17X0,30 | X |
| 10 | 36120354 | * SHIM 10X29X0,30 | X |
| 10 | 40140275 | WASHER 10X35X0,15 | X |
| 10 | 48601708 | SHIM 10X30X0,40 | X |
| 10 | 36120346 | * SHIM 10X29X0,25 | X |
| 10 | 36120355 | * SHIM 10X31X0,30 | X |
| 10 | 36120348 | * SHIM 10X33X0,25 | X |
| 10 | 36120604 | SHIM D10XD22X2,5 | X |
| 12 | 46810490 | SHIM 12X24X0,20 | X |
| 12 | 46810491 | SHIM 12X26X0,20 | X |
| 12 | 46810492 | SHIM 12X28X0,20 | X |
| 12 | 46810493 | SHIM 12X30X0,20 | X |
| 12 | 46810494 | SHIM 12X32X0,20 | X |
| 12 | 46810495 | SHIM 12X34X0,20 | X |
| 12 | 46810496 | SHIM 12X36X0,20 | X |
| 12 | 46810497 | SHIM 12X38X0,20 | X |
| 12 | 46810498 | SHIM 12X40X0,20 | X |
| 12 | 46810499 | SHIM 12X24X0,25 | X |
| 12 | 46810500 | SHIM 12X26X0,25 | X |
| 12 | 46810501 | SHIM 12X28X0,25 | X |
| 12 | 46810502 | SHIM 12X30X0,25 | X |
| 12 | 46810504 | SHIM 12X34X0,25 | X |
| 12 | 46810505 | SHIM 12X36X0,25 | X |
| 12 | 46810507 | SHIM 12X40X0,25 | X |
| 12 | 46810508 | SHIM 12X24X0,30 | X |
| 12 | 46810509 | SHIM 12X26X0,30 | X |
| 12 | 46810510 | SHIM 12X28X0,30 | X |
| 12 | 46810512 | SHIM 12X32X0,30 | X |
| 12 | 46810513 | SHIM 12X34X0,30 | X |
| 12 | 46810518 | SHIM 12X26X0,15 | X |

080000190

C130009090

* NEW PART

X ON DEMAND



- ⑤ Ø 5 mm
- ⑥ Ø 6 mm
- ⑧ Ø 8 mm
- ⑩ Ø 10 mm
- ⑫ Ø 12 mm
- ⑭ Ø 14-14,5 mm
- ⑯ Ø 16 mm
- ⑳ Ø 20 mm
- ㉑ Ø 21 mm
- ㉒ Ø 22 mm
- ㉓ Ø 23 mm
- ㉔ Ø 24,5 mm
- ㉘ Ø 28,5 mm
- ㉚ Ø 32 mm
- ㉜ Ø 52 mm



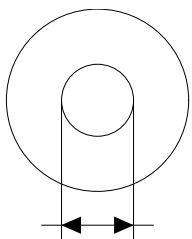
| POS | PARTNUMBER | PARTNAME | PIECE |
|-----|------------|----------------------|-------|
| 12 | 46810519 | SHIM 12X28X0,15 | X |
| 12 | 46810520 | SHIM 12X30X0,15 | X |
| 12 | 46810521 | SHIM 12X32X0,15 | X |
| 12 | 46810522 | SHIM 12X34X0,15 | X |
| 12 | 46810523 | SHIM 12X36X0,15 | X |
| 12 | 46810524 | SHIM 12X38X0,15 | X |
| 12 | 46810525 | SHIM 12X40X0,15 | X |
| 12 | 46810604 | SHIM 12X20X0,10 | X |
| 12 | 46810606 | SHIM 12X22X0,10 | X |
| 12 | 46810607 | SHIM 12X23X0,10 | X |
| 12 | 46810608 | SHIM 12X24X0,10 | X |
| 12 | 46810610 | SHIM 12X27X0,15 | X |
| 12 | 46810611 | SHIM 12X18X0,15 | X |
| 12 | 46810612 | SHIM 12X19X0,15 | X |
| 12 | 46810615 | SHIM 12X22X0,15 | X |
| 12 | 46810636 | BACKPLATE 12X16X0,30 | X |
| 12 | 46810637 | BACKPLATE 12X17X0,30 | X |
| 12 | 46810638 | BACKPLATE 12X18X0,30 | X |
| 12 | 46810639 | SHIM 12X19X0,30 | X |
| 12 | 46810641 | BACKPLATE 12X21X0,30 | X |
| 12 | 46811582 | BACKPLATE 12X30X0,10 | X |
| 12 | 46810631 | SHIM 12X20X0,25 | X |
| 12 | 46810633 | SHIM 12X22X0,25 | X |
| 12 | 46811580 | SHIM 12X32X0,10 | X |
| 12 | 46810503 | SHIM 12X32X0,25 | X |
| 12 | 46810517 | * SHIM 12X24X0,15 | X |
| 12 | 46810856 | * SHIM 12X20X0,3 CC | X |
| 12 | 46811258 | RING 12X24X2,5 | X |
| 12 | 46812018 | SHIM 12X42X0,25 | X |
| 12 | 46812015 | SHIM 12X44X0,20 | X |
| 12 | 46810613 | * SHIM 12X20X0,15 | X |
| 12 | 46810623 | * SHIM 12X21X0,20 | X |
| 12 | 46810624 | * SHIM 12X22X0,20 | X |
| 12 | 46810642 | * SHIM 12X22X0,30 | X |
| 12 | 46810643 | * SHIM 12X23X0,30 | X |
| 12 | 46811629 | * SHIM 12X28X0,10 | X |
| 12 | 46810511 | * SHIM 12X30X0,30 | X |
| 12 | 46810514 | * SHIM 12X36X0,30 | X |

080000190

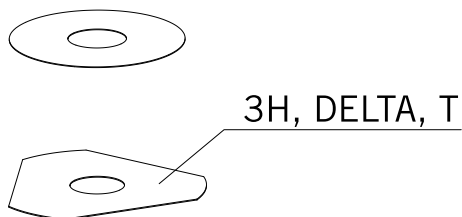
C130009090

* NEW PART

X ON DEMAND



- ⑤ Ø 5 mm
- ⑥ Ø 6 mm
- ⑧ Ø 8 mm
- ⑩ Ø 10 mm
- ⑫ Ø 12 mm
- ⑭ Ø 14-14,5 mm
- ⑯ Ø 16 mm
- ⑳ Ø 20 mm
- ㉑ Ø 21 mm
- ㉒ Ø 22 mm
- ㉓ Ø 23 mm
- ㉔ Ø 24,5 mm
- ㉘ Ø 28,5 mm
- ㉚ Ø 32 mm
- ㉜ Ø 52 mm



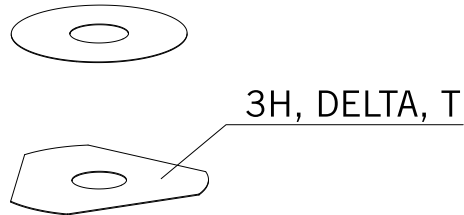
| POS | PARTNUMBER | PARTNAME | PIECE |
|-----|------------|----------------------|-------|
| 12 | 46810506 | * SHIM 12X38X0,25 | X |
| 12 | 46810515 | * SHIM 12X38X0,30 | X |
| 12 | 46812017 | SHIM 12X42X0,20 | X |
| 12 | 46812016 | SHIM 12X44X0,25 | X |
| 14 | 46811046 | SHIM 14,5X35,4X1,25 | X |
| 16 | 50180023 | * SHIM 16X23X0,20 | X |
| 16 | 50180030 | SHIM | X |
| 16 | 50180006 | BACKPLATE 16X20X0,10 | X |
| 16 | 50180007 | SHIM 16X21X0,10 | X |
| 16 | 50180028 | SHIM 16X21X0,25 | X |
| 16 | 50180210 | WASHER 16X21X1 | X |
| 16 | 50180008 | SHIM 16X22X0,10 | X |
| 16 | 50180022 | SHIM 16X22X0,20 | X |
| 16 | 50180037 | SHIM 16X23X0,30 | X |
| 16 | 50180038 | SHIM 16X24X0,30 | X |
| 16 | 50180032 | SHIM 15X25X0,25 | X |
| 16 | 50180039 | SHIM 16X25X0,30 | X |
| 16 | 50180012 | SHIM 16X26X0,10 | X |
| 16 | 50180019 | SHIM 16X26X0,15 | X |
| 16 | 50180026 | SHIM 16X26X0,20 | X |
| 16 | 50180040 | SHIM 16X26X0,30 | X |
| 16 | 50180041 | SHIM 16X28X0,10 | X |
| 16 | 50180045 | SHIM 16X28X0,15 | X |
| 16 | 50180054 | SHIM 16X28X0,20 | X |
| 16 | 50180063 | SHIM 16X28X0,25 | X |
| 16 | 50180072 | SHIM 16X28X0,30 | X |
| 16 | 50180046 | SHIM 16X30X0,15 | X |
| 16 | 50180055 | SHIM 16X30X0,20 | X |
| 16 | 50180064 | SHIM 16X30X0,25 | X |
| 16 | 50180073 | SHIM 16X30X0,30 | X |
| 16 | 50180047 | SHIM 16X32X0,15 | X |
| 16 | 50180056 | SHIM 16X32X0,20 | X |
| 16 | 50180065 | SHIM 16X32X0,25 | X |
| 16 | 50180074 | SHIM 16X32X0,30 | X |
| 16 | 50180044 | SHIM 16X34X0,10 | X |
| 16 | 50180048 | SHIM 16X34X0,15 | X |
| 16 | 50180057 | SHIM 16X34X0,20 | X |
| 16 | 50180066 | SHIM 16X34X0,25 | X |

080000190

C130009090

* NEW PART

X ON DEMAND



- ⑤ Ø 5 mm
- ⑥ Ø 6 mm
- ⑧ Ø 8 mm
- ⑩ Ø 10 mm
- ⑫ Ø 12 mm
- ⑭ Ø 14-14,5 mm
- ⑯ Ø 16 mm
- ⑳ Ø 20 mm
- ㉑ Ø 21 mm
- ㉒ Ø 22 mm
- ㉓ Ø 23 mm
- ㉔ Ø 24,5 mm
- ㉘ Ø 28,5 mm
- ㉚ Ø 32 mm
- ㉜ Ø 52 mm

| POS | PARTNUMBER | PARTNAME | PIECE |
|-----|------------|-----------------------------|-------|
| 16 | 50180075 | SHIM 16X34X0,30 | X |
| 16 | 50180049 | SHIM 16X36X0,15 | X |
| 16 | 50180058 | SHIM 16X36X0,20 | X |
| 16 | 50180067 | SHIM 16X36X0,25 | X |
| 16 | 50180076 | SHIM 16X36X0,30 | X |
| 16 | 50180050 | SHIM 16X38X0,15 | X |
| 16 | 50180059 | SHIM 16X38X0,20 | X |
| 16 | 50180068 | SHIM 16X38X0,25 | X |
| 16 | 50180077 | SHIM 16X38X0,30 | X |
| 16 | 50180051 | SHIM 16X40X0,15 | X |
| 16 | 50180060 | SHIM 16X40X0,20 | X |
| 16 | 50180069 | SHIM 16X40X0,25 | X |
| 16 | 50180078 | SHIM 16X40X0,30 | X |
| 16 | 50180052 | SHIM 16X42X0,15 | X |
| 16 | 50180061 | SHIM 16X42X0,20 | X |
| 16 | 50180070 | SHIM 16X42X0,25 | X |
| 16 | 50180079 | SHIM 16X42X0,30 | X |
| 16 | 50180053 | SHIM 16X44X0,15 | X |
| 16 | 50180062 | SHIM 16X44X0,20 | X |
| 16 | 50180071 | SHIM 16X44X0,25 | X |
| 16 | 50180080 | SHIM 16X44X0,30 | X |
| 16 | 50180177 | WASHER 16X8,2X0,6 | X |
| 16 | 50180033 | SHIM 16X26X0,25 | X |
| 16 | 50180034 | BACKPLATE 16X20X0,30 | X |
| 16 | 50180035 | BACKPLATE 16X21X0,30 | X |
| 16 | 50180036 | BACKPLATE 16X22X0,30 | X |
| 16 | 50180043 | SHIM | X |
| 16 | 50180024 | * SHIM 16X24X0,20 | X |
| 16 | 50180027 | * SHIM 16X20X0,25 | X |
| 16 | 50180031 | SHIM | X |
| 16 | 50180029 | SHIM | X |
| 16 | 50180010 | * SHIM 16X24X0,10 | X |
| 20 | 48600212 | PRESSURE-RING 20X16,25X0,20 | X |
| 20 | 50180666 | SHIM 20X24X0,30 | X |
| 20 | 50180654 | SHIM 20X36X0,20 | X |
| 20 | 50180655 | SHIM 20X38X0,20 | X |
| 20 | 50180656 | SHIM 20X40X0,20 | X |
| 20 | 50180665 | SHIM 20X40X0,25 | X |

080000190

C130009090

* NEW PART

X ON DEMAND



- ⑤ Ø 5 mm
- ⑥ Ø 6 mm
- ⑧ Ø 8 mm
- ⑩ Ø 10 mm
- ⑫ Ø 12 mm
- ⑭ Ø 14-14,5 mm
- ⑯ Ø 16 mm
- ⑳ Ø 20 mm
- ㉑ Ø 21 mm
- ㉒ Ø 22 mm
- ㉓ Ø 23 mm
- ㉔ Ø 24,5 mm
- ㉘ Ø 28,5 mm
- ㉚ Ø 32 mm
- ㉜ Ø 52 mm



| POS | PARTNUMBER | PARTNAME | PIECE |
|-----|------------|--------------------------|-------|
| 20 | 50180662 | SHIM 20X34X0,25 | X |
| 20 | 50180657 | SHIM 20X24X0,25 | X |
| 20 | 50180653 | SHIM 20X34X0,20 | X |
| 20 | 50180634 | RING 20X22,9X1 | X |
| 20 | 50180650 | SHIM 20,2X28X0,20 | X |
| 20 | 50180663 | SHIM 20X36X0,25 | X |
| 20 | 50180664 | SHIM 20X38X0,25 | X |
| 20 | 50180659 | SHIM 20,2X28X0,25 | X |
| 21 | 50180209 | WASHER 21X36X0,25 | X |
| 22 | 50180330 | * PRESS. RING 22X18X0,30 | X |
| 23 | 50180635 | SHUTTLE VALVE 23X38X0,25 | X |
| 23 | 50180578 | SHIM D23XD16X2 | X |
| 24 | 40541061 | WASHER 24,5X34X2 | X |
| 28 | 36120469 | SHIM 28,5X14X2 | X |
| 28 | 36120471 | SHIM 28,5X14X5 | X |
| 32 | 48600460 | WASHER 32X42X2,5 | X |
| 32 | 50600065 | SHIM 32X45X2 | X |
| 32 | 46811637 | PRESSURE RING 36X32,25 | X |
| 52 | 50600002 | SHIM 52X59X2,2 | X |

080000190

C130009090

* NEW PART

X ON DEMAND

WWW.KTM.COM



KTM Sportmotorcycle GmbH
5230 Mattighofen, Austria
www.ktm.com



KTM_POWERPARTS

KTM_POWERWEAR

KTM_ORIGINAL SPARE PARTS



3CFF8203Q9EN

Art. Nr.: 3CFF8203Q9EN 26. Apr 2016