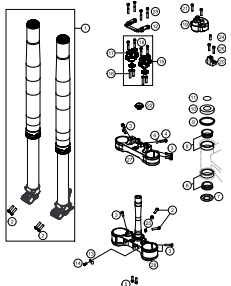
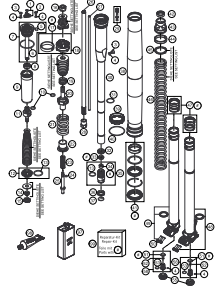
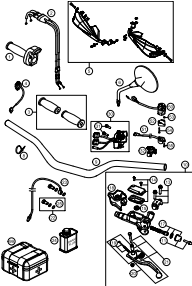
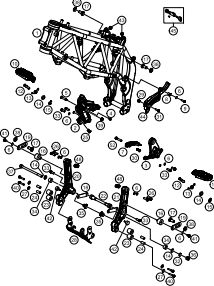
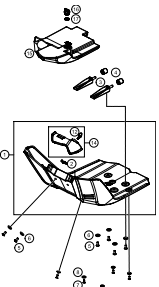
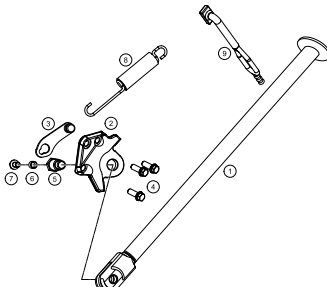
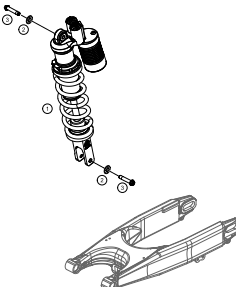
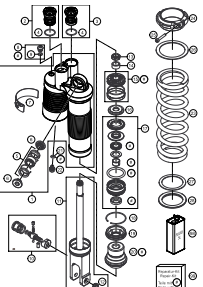
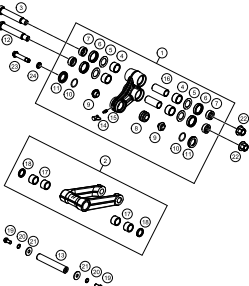
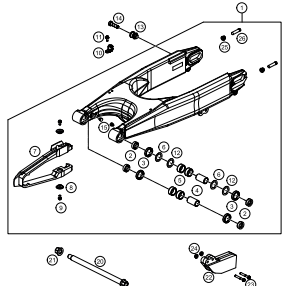
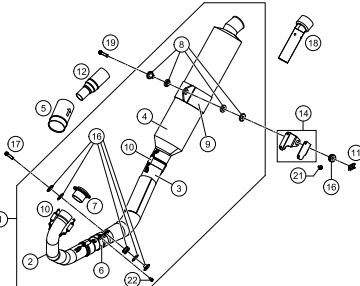
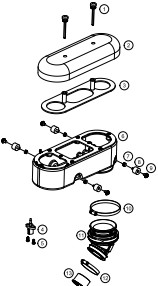


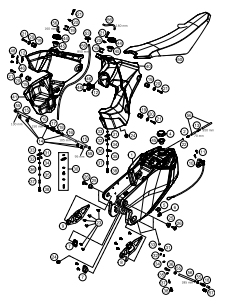
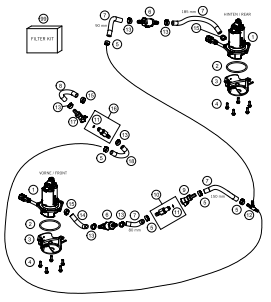
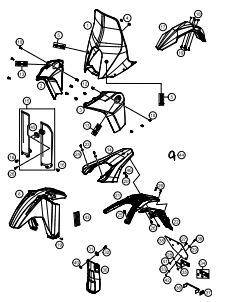
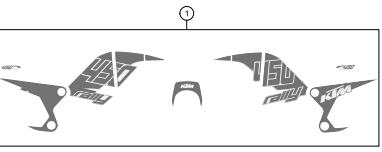
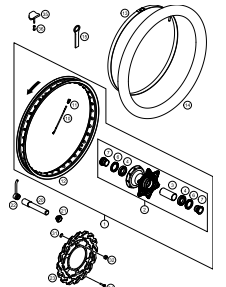
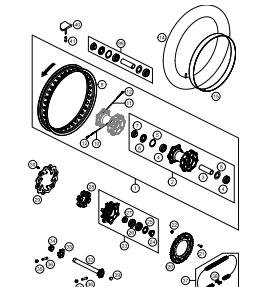
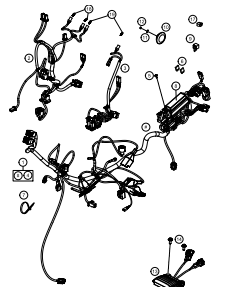
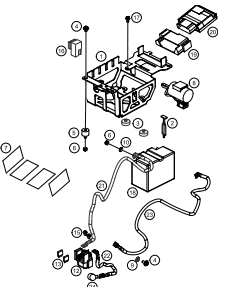
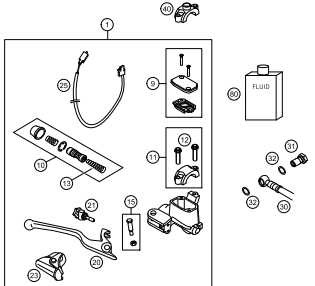
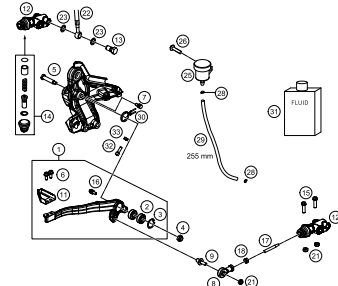
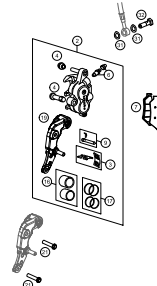
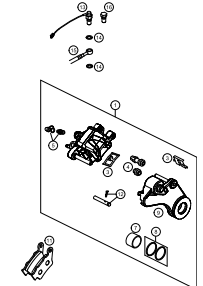
# 450 RALLY FACTORY REPLICA 2016

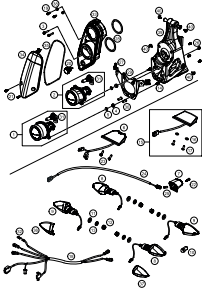
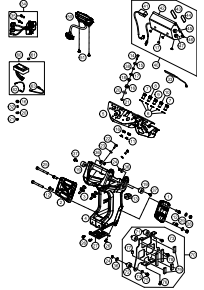
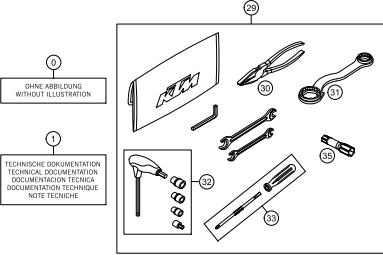
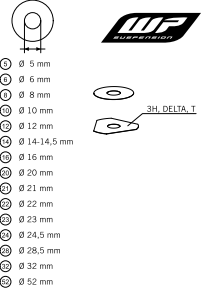
ART.-NR.: 3CFF9399P8EN





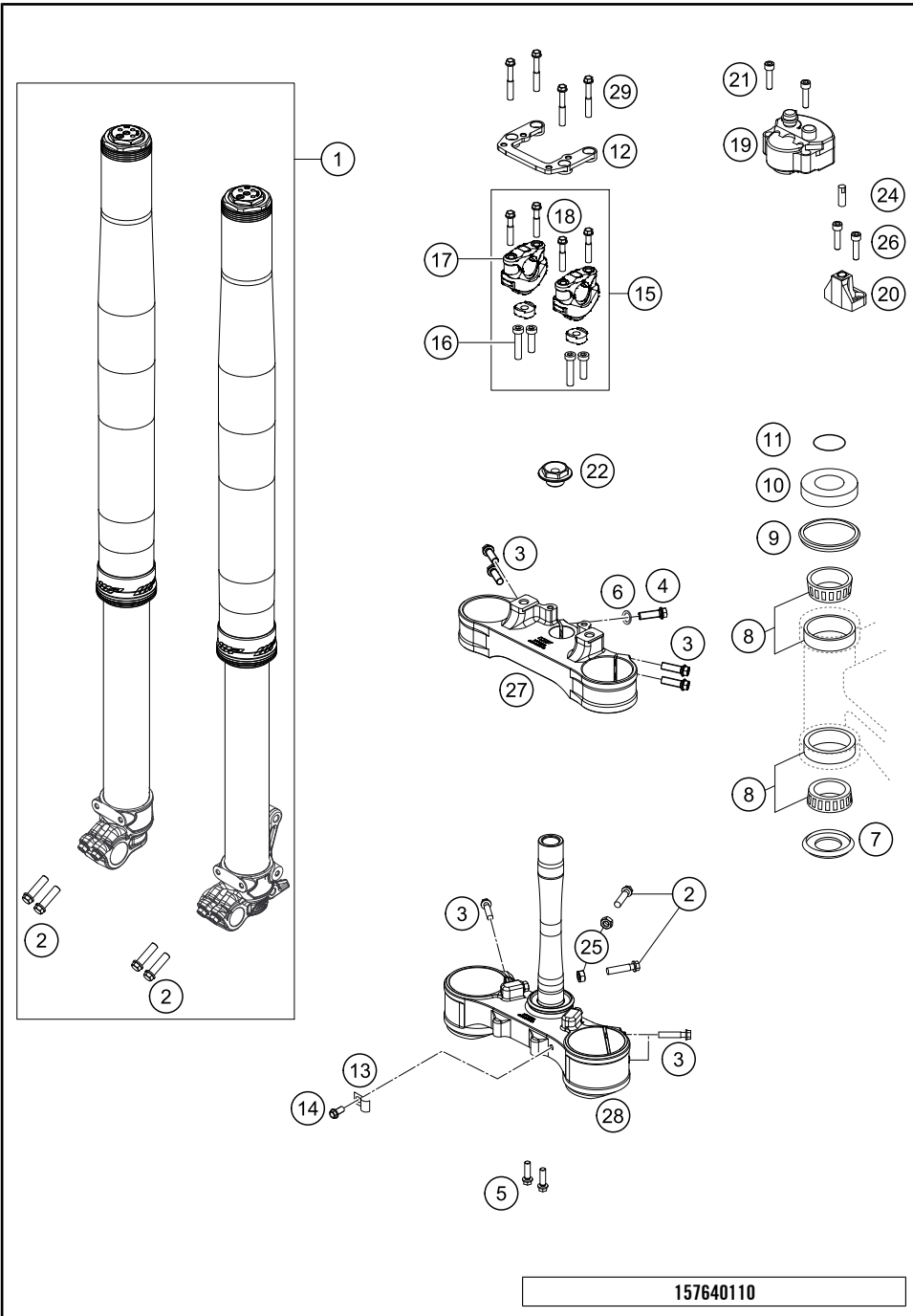
<p><b>FRONT FORK, TRIPLE CLAMP</b></p>  <p><b>4</b></p>	<p><b>FRONT FORK DISASSEMBLED</b></p>  <p><b>5</b></p>	<p><b>HANDLEBAR, CONTROLS</b></p>  <p><b>7</b></p>	<p><b>FRAME</b></p>  <p><b>8</b></p>
<p><b>ENGINE GUARD</b></p>  <p><b>10</b></p>	<p><b>SIDE / CENTER STAND</b></p>  <p><b>11</b></p>	<p><b>SHOCK ABSORBER</b></p>  <p><b>12</b></p>	<p><b>SHOCK ABSORBER DISASSEMBLED</b></p>  <p><b>13</b></p>
<p><b>PRO LEVER LINKING</b></p>  <p><b>14</b></p>	<p><b>SWING ARM</b></p>  <p><b>15</b></p>	<p><b>EXHAUST SYSTEM</b></p>  <p><b>16</b></p>	<p><b>AIR FILTER</b></p>  <p><b>17</b></p>

<p><b>TANK, SEAT</b></p>  <p><b>18</b></p>	<p><b>FUEL PUMP</b></p>  <p><b>20</b></p>	<p><b>MASK, FENDERS</b></p>  <p><b>21</b></p>	<p><b>DECAL</b></p>  <p><b>23</b></p>
<p><b>FRONT WHEEL</b></p>  <p><b>24</b></p>	<p><b>REAR WHEEL</b></p>  <p><b>25</b></p>	<p><b>WIRING HARNESS</b></p>  <p><b>27</b></p>	<p><b>BATTERY</b></p>  <p><b>28</b></p>
<p><b>HAND BRAKE CYLINDER</b></p>  <p><b>29</b></p>	<p><b>REAR BRAKE CONTROL</b></p>  <p><b>30</b></p>	<p><b>BRAKE CALIPER FRONT</b></p>  <p><b>31</b></p>	<p><b>BRAKE CALIPER REAR</b></p>  <p><b>32</b></p>

<p><b>LIGHTING SYSTEM</b></p>  <p style="text-align: right;"><b>33</b></p>	<p><b>INSTRUMENTS / LOCK SYSTEM</b></p>  <p style="text-align: right;"><b>35</b></p>	<p><b>ACCESSORIES KIT</b></p>  <p style="text-align: right;"><b>37</b></p>	<p><b>WP SHIMS FOR SETTING</b></p>  <p style="text-align: right;"><b>39</b></p>
<div style="display: flex; align-items: center;"> <div style="background-color: #cccccc; width: 50px; height: 100px; display: flex; align-items: center; justify-content: center; margin-right: 20px;"> <span style="font-size: 40px; font-weight: bold;">!</span> </div> <div> <p>All information contained is without obligation. KTM Sportmotorcycle GmbH particularly reserves the right to modify any equipment, technical specifications, prices, colors, shapes, materials, services, service work, constructions, equipment and the like so as to adapt them to local conditions or to cancel any of the above items, all without previous announcement and without giving reasons. KTM may stop manufacturing certain models without previous notice. KTM shall not be held liable for any deviations of availability and/or ability to deliver, illustrations, descriptions, printing and/or other errors. The illustrated models partly contain extra equipment, which is not applied to standard models.</p> <p>© by KTM Sportmotorcycle GmbH, Mattighofen AUSTRIA; All rights reserved; Reprint, also in extracts, with written allowance of KTM Sportmotorcycle GmbH, Mattighofen only.</p> </div> </div>			

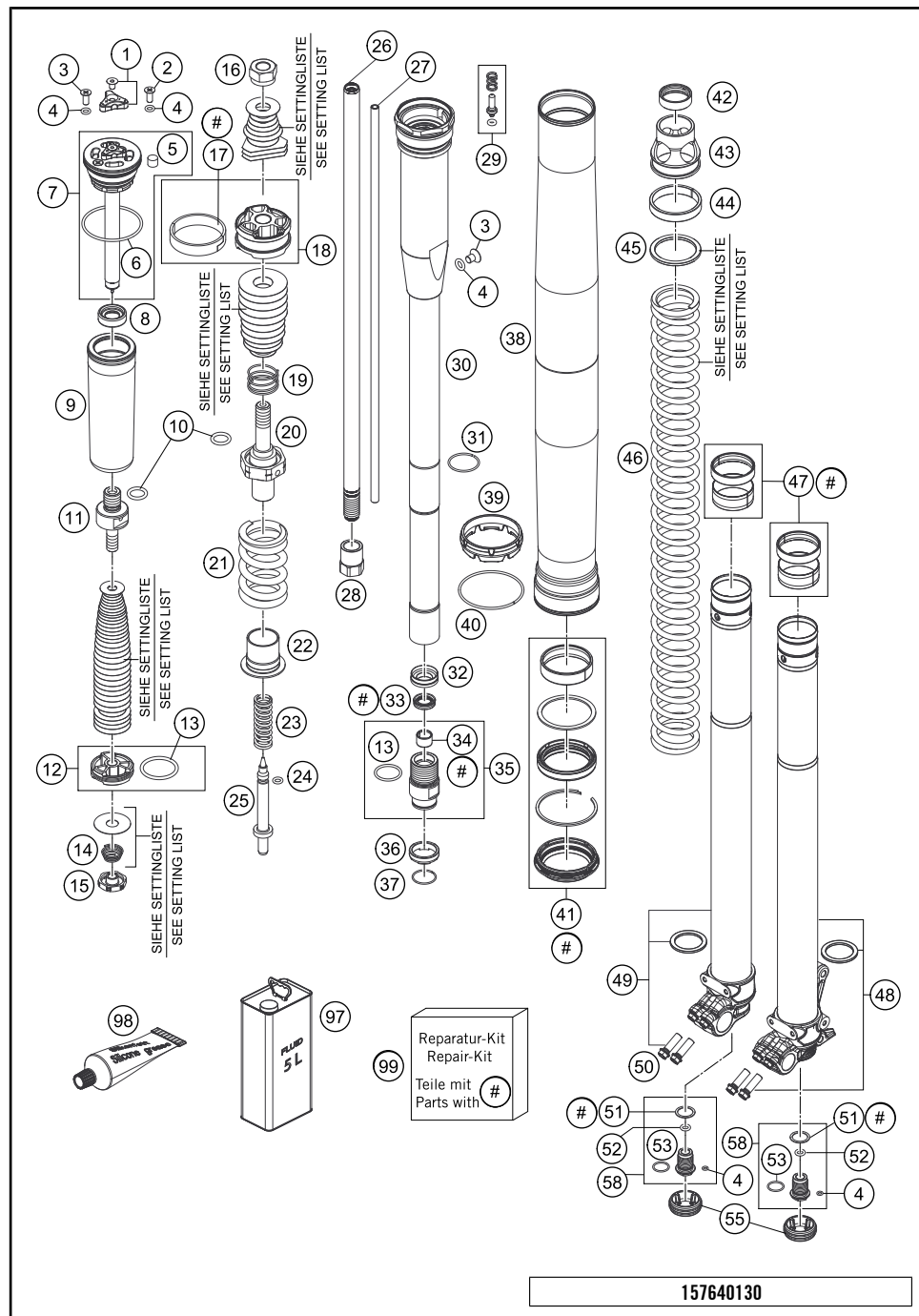
# FRONT FORK, TRIPLE CLAMP

# 450 RALLY FACTORY REPLICA 2016



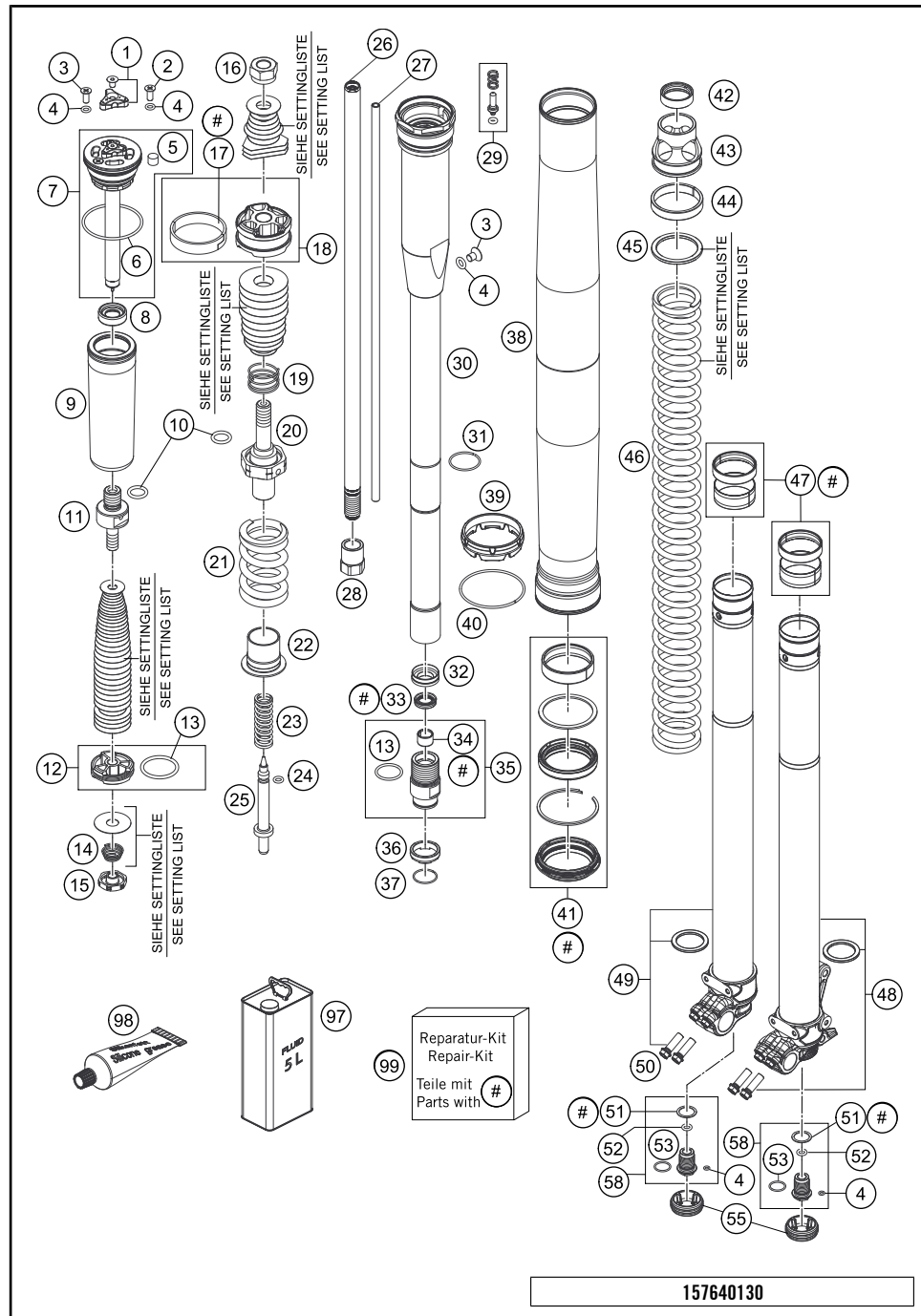
POS	PARTNUMBER	PARTNAME	PIECE
1	14182N40E	FORK 450 RALLY	1
2	0025080256	HH COLLAR SCREW M8X25 TX40	6
3	0025080306	HH COLLAR SCREW M8X30 TX40	8
4	0025080256S	HH COLLAR SCREW M8X25 TX40	1
5	0025080206	HH COLLAR SCREW M8X20 TX40	2
6	36003014000	LOCK WASHER 8MM	1
7	77701084000	O-RING SUPPORT W. SEALING LIP	1
8	54201081100	TAPERED ROLLER BEARING CPL. 06	2
9	54601184000	STEERING HEAD GASKET TOP	1
10	7620108600030	STEER HEAD COV SHORTENED BLK	1
11	0770025035	O-RING 25X3,55 NBR70 05	1
12	R0502003000	GPS SUPPORT MILLED 07	1
13	50211096000	CLAMP FOR WIRING HARNESS	1
14	0025050166	HH COLLAR SCREW M5X16 TX30	1
15	SXS07125200	PHDS PROGRESSIVE H-BAR DAMPING	1
16	0912100256	AH SCREW DIN0912-M10X25 10.9	2
16	0032100356S	AH-COLLAR SCREW M10X35 ISA45	2
17	SXS05125203	ELASTOMER GREEN/SOFT	x
17	SXS05125204	ELASTOMER YELLOW/MEDIUM	4
17	SXS05125205	ELASTOMER RED/HARD	x
18	0025080456	HH COLLAR SCREW M8X45 TX40	4
19	58512050100	STEERING DAMPER	1
20	76403001079	STEERING DAMPER BRACKET CPL.	1
21	0912060253	AH SCREW DIN0912-M 6X25	2
22	54801036000	STEER.HEAD SCREW M20X1,5 WS=27	1
24	58502006100	PIN F.STEERING STAB. 8MM 05	1
25	46030045000	COLLAR NUT M8 WS=10	2
26	0012060164	AH SCREW DIN6912 M6X16 SL	2
27	7640103422204	TOP TRIPLE CLAMP X=22MM	1
28	7640103222204	BOT. TRIPLE CLAMP CPL.	1
29	0025080506	HH COLLAR SCREW M8X50 TX40	4

\* NEW PART X ON DEMAND



POS	PARTNUMBER	PARTNAME	PIECE
1	48600811S	ADJUSTING KNOB + SCREW	2
2	48600526	SCREW M4X10	2
3	48600542	AH SCREW M4X6	4
4	50180222	O-RING NBR 4X1,5	8
5	15080017	SILICON CAP	2
6	40140024	O-RING NBR 43X2	2
7	48600516E1	SCREW CAP L=125	2
8	48600514	MEMBRANE SLEEVE	2
9	48600281	MEMBRANE	2
10	48600299	O-RING 6X1,2 NBR	4
11	48600509	PISTON ROD COMPRESSION	2
12	48600047S	PISTON + O-RING	2
13	46811499	O-RING NBR 21X2	4
14	48600202	SPRING CHECK VALVE D=0,7	2
15	48600163	CHECK VALVE NUT M6X0,5 D=2	2
16	40540486	NUT M6X0,5 REBOUND	2
17	48600455	PISTON RING 5X1X68	2
18	48600575S	PISTON REBOUND + PISTON RING	2
19	48600382	SHUTTLE VALVE SPRING C=0,4	2
20	48600576	PISTON ROD REBOUND	2
21	48600578	SPRING REB. L=32 C=37 DI=13,9	2
22	48600525	GUIDING BUSH REBOUND SPRING	2
23	48600444	REBOUND SPRING C=4N/MM	2
24	48600298	O-RING 2X1,5 NBR	2
25	48600277	ADJUSTER NEEDLE 07	2
26	48600464	PISTON ROD SXS 2005	2
27	48600269	ADJUSTING TUBE L=371	2
28	48600459	COUNTERNUT M12X1 WS17	2
29	48600977S	PIN KIT	2
30	48600519E4	MEMBRANE HOLDER INKL. PIPE	2
31	48600512	LOCK WASHER D=25,5	2
32	48601056	RING 23,45X8,9	3
33	48600829	SHAFT SEAL RING 12MM	2
34	48600430	DU BUSH FOR PISTON ROD	2
35	48601055S	SCREW SLEEVE M24,5X1 CPL.	2
36	48600297	CHECK VALVE STOP	2
37	48600446	LOCK WASHER D=20	2
38	48600761	OUTER TUBE L577 D54/60MM	2

\* NEW PART X ON DEMAND



POS	PARTNUMBER	PARTNAME	PIECE
39	48600698	FORK PROTECTION RING 08	2
40	48600016	GUIDING RING D=58MM	2
41	R14040	GASKET KIT CPL.	1
42	48600577	RING SPRING-SUPPORT	2
43	48600520	SPRING SUPPORT	2
44	48600744	GUIDE RING 44 X39	2
45	48600456	SPACER 43X35X2,5	2
45	48600457	SPACER 43X35X5	2
45	48600458	SPACER 43X35X1,5	2
46	91410030S	SPRING 5,0 N/MM	2
47	R14047	REP. KIT GUIDE BUSHINGS	1
48	48601540S1	AXLE-CL. MA DISC BR+INNERT. LF	1
49	48601541S1	AXLE-CL. MA DISC BR+INNERT. RE	1
50	0025080256	HH COLLAR SCREW M8X25 TX40	4
51	48600275	COPPER WASHER 20,5X26X1	2
52	48600301	O-RING NBR 9,5X1,5	2
53	46810811	O-RING NBR 17X2 PA	2
54	48600280E	SCREW BUSH M20X1 L=33 CPL.	2
55	48600141	RUBBER CAP D=35MM	2
97	48601166S1	FORK OIL SAE4 5L	1
98	T511	SILICONE GREASE F. DUST STRI	1
99	R14053	REPAIR KIT FORK	1

157640130

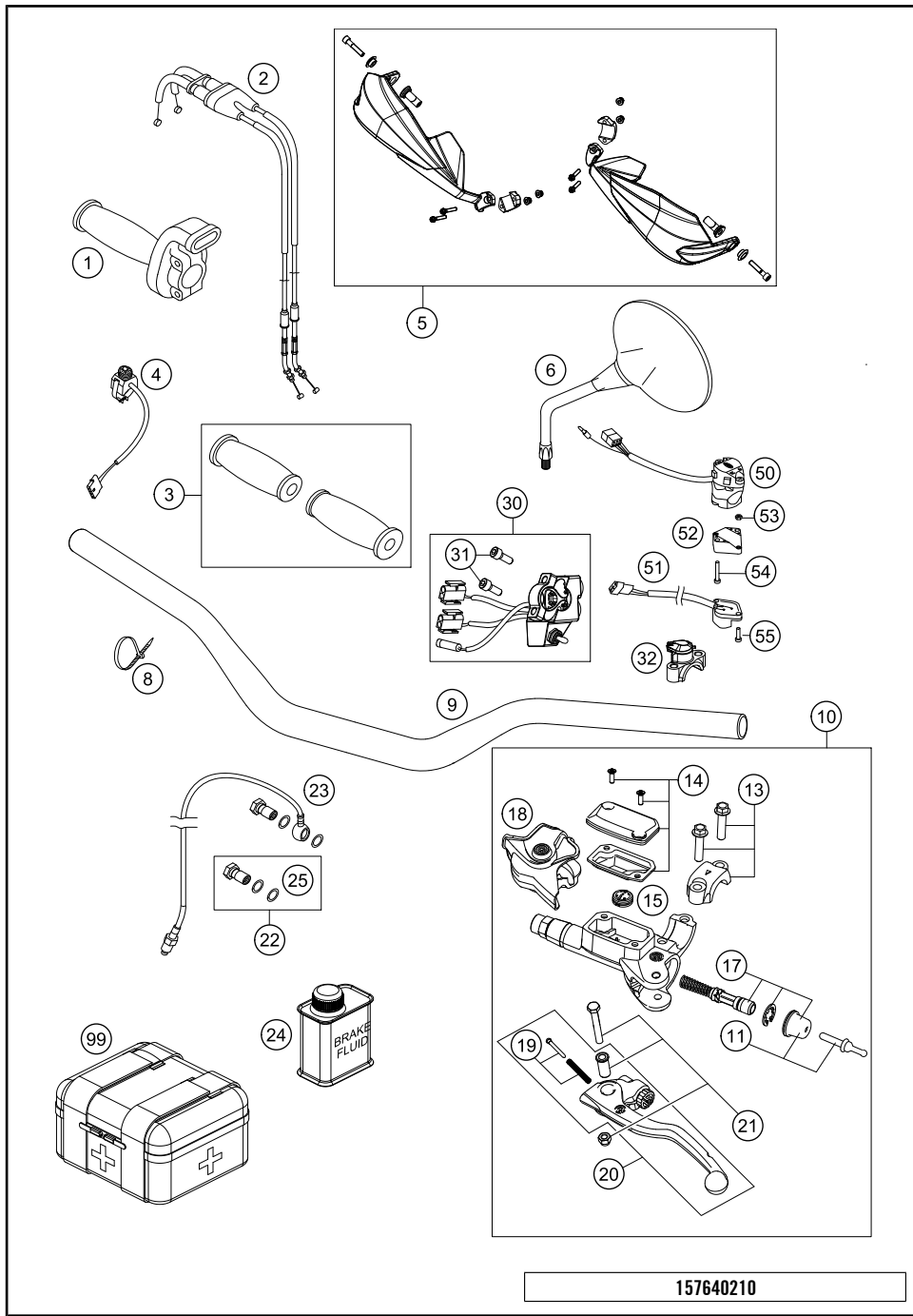
C157640130

\* NEW PART X ON DEMAND



# HANDLEBAR, CONTROLS

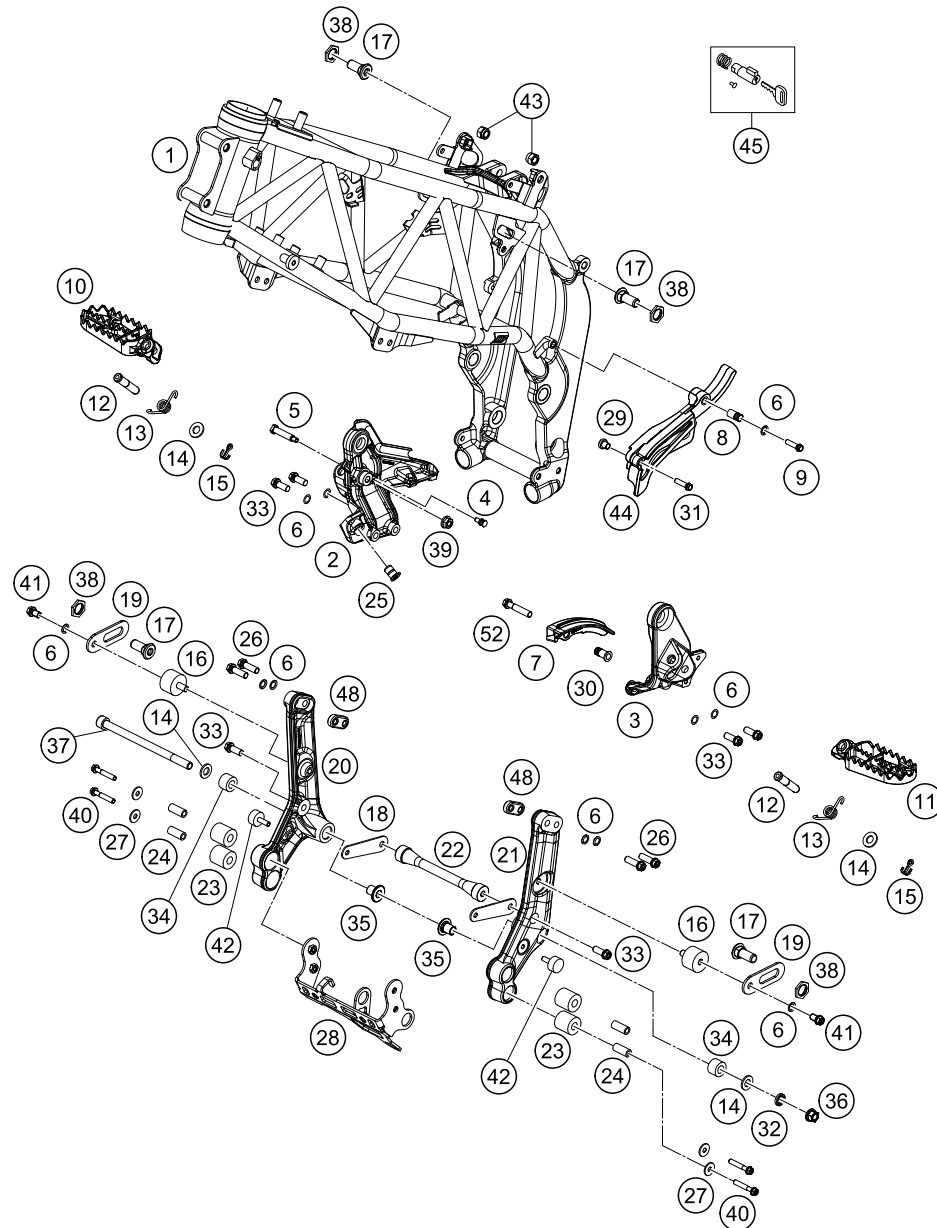
# 450 RALLY FACTORY REPLICA 2016



POS	PARTNUMBER	PARTNAME	PIECE
1	76402010000	THROTTLE GRIP	1
2	77302091200	THROTTLE CABLE 4T.	1
3	58502139044	RUBBER GR. PRO GRIP 06	1
4	63011074000	STARTER BUTTON 06	1
5	7800207910004	HANDGUARDS CLOSED ORANGE	1
6	58412040100	REAR MIRROR L/S+R/S LC4 2001	2
8	44011076200	CABLE TIE 200/3,6MM BLACK	1
9	7640210100030	HANDLEBAR BLACK	1
10	54802030144	MASTER CYLINDER CPL.	1
11	54802046000	PUSH ROD CPL.	1
13	54802005100	CLAMP CPL. 06	1
14	5480200310030	COVER HYD. CLUTCH CPL. 2014	1
15	54802051000	VALVE	1
17	54802032000	REP. KIT PISTON 06	1
18	54802037000	PROTECTION CAP 06	1
19	54802052000	BOLT KPL.	1
20	54802031000	CLUTCH LEVER CPL. BREMBO 06	1
21	54802038100	LEVER SCREW CPL. 06	1
22	59032062000	HOLLOW SCREW + COPPER GASKET	1
23	78132063000	CLUTCH PIPE	1
24	00062030000	BRAKE FLUID DOT5.1 0,25L	1
25	59413013050	COPPER GASKET	2
30	76412175044	ROADBOOK SWITCH CPL.	1
31	0912060163	AH SCREW DIN0912-M 6X16	2
32	76411006044	FUEL PUMP SWITCH	1
50	76411070100	H.LIGHT SWITCH	1
51	50311029000	FLASHER SWITCH CEV '98	1
52	13011070060	ADAPTER FOR FLASHER SWITCH '98	1
53	0934040003	HEXAGON NUT DIN0934-M 4	2
54	0084040223	CYL.HEAD SCREW DIN0084-M 4X22A	2
55	0985040163	FLAT HEAD SCREW DIN7985-M 4X16	2
99	76212002000	FIRST AID CASE	1

\* NEW PART

X ON DEMAND



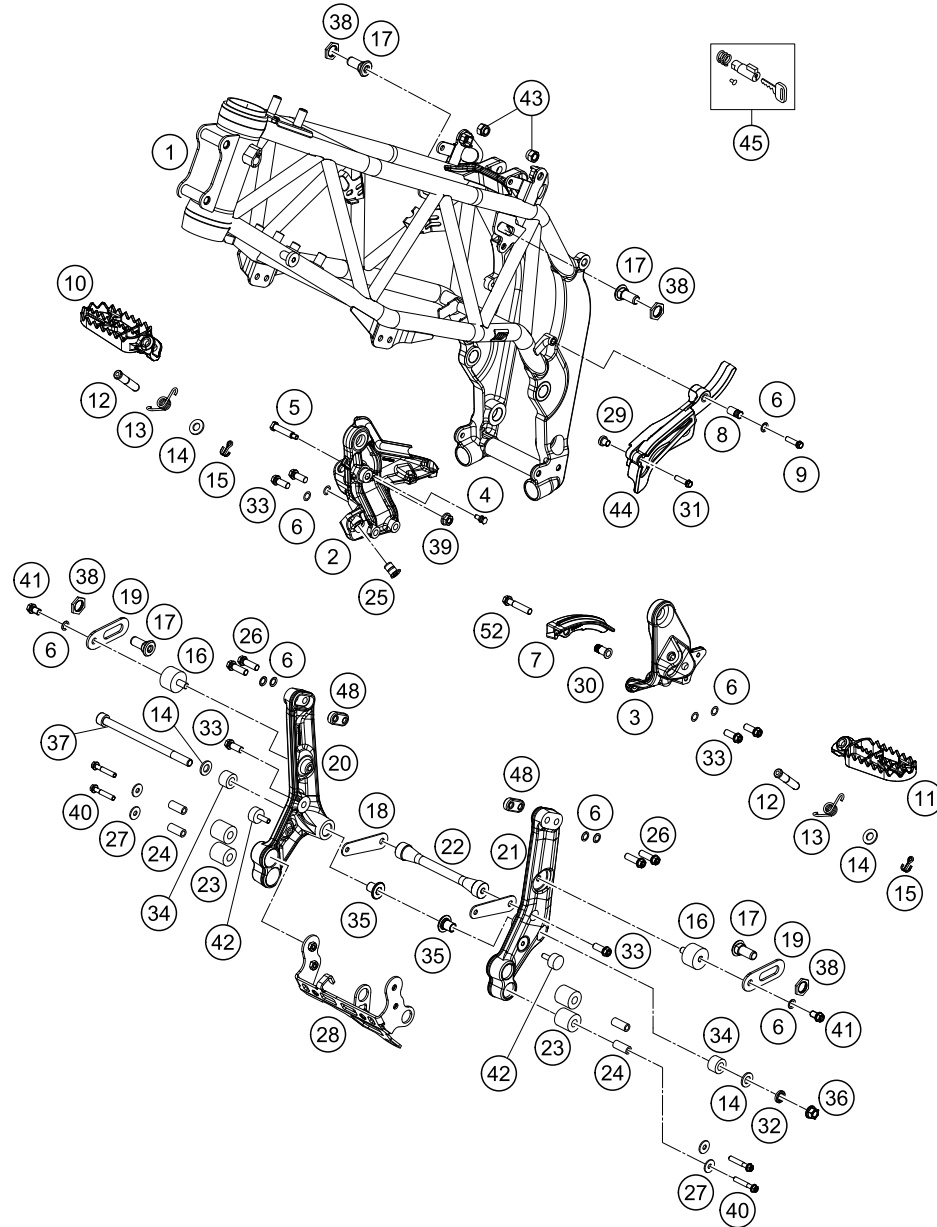
167640310

POS	PARTNUMBER	PARTNAME	PIECE
1	7640310100004	FRAME 450 RALLY ORANGE	1
2	76403139000	FOOTREST BRACKET RIGHT	1
3	76403138000	FOOTREST BRACKET LEFT	1
4	76413050010	ARRESTOR	2
5	76413050030	BOLT	2
6	36003014000	LOCK WASHER 8MM	11
7	76404066000	CHAIN SLIDING PART	1
8	51103053051	BUSHING 8,2X10X20	1
9	0025080356S	HH COLLAR SCREW M8X35 TX40	2
10	76203041250	FOOTREST RIGHT RALLY 07	1
11	76203040250	FOOTREST LEFT RALLY 07	1
12	54603044000	BOLT FOR FOOTREST 9,8 X 50	2
13	54603041000	FOOTREST SPRING L/S & R/S	2
14	0125100003	WASHER DIN0125-A10,5	4
15	0094032253	PIN DIN0094-3,2X25 STEEL	2
16	76305062000	RUBBER GROMMET 30X20-M8X20	2
17	76407063000	FIXING SCREW TANK	4
18	76403005030	RADIATOR STRUT	2
19	76403034000	FUEL TANK SUPPORT PLATE	2
20	76403106000	ENGINE SUPPORT RIGHT	1
21	76403105000	ENGINE SUPPORT LEFT	1
22	76403005040	CROSS MEMBER	1
23	76203005031	RUBBER INSERT	4
24	76203005050	BUSH ENGINE SUPPORT	4
25	76403044000	PRESS IN NUT	2
26	0025080256	HH COLLAR SCREW M8X25 TX40	4
27	0021060003	WASHER DIN9021-A 6,4	4
28	76412099024	ENGINE GUARD BRACKET CPL.	1
29	76430047005	SPACER BUSHING CHAIN GUARD	1
30	76304266001	BUSHING	1
31	0025060306	HH COLLAR SCREW M6X30 TX30	1
32	50233041100	PAIR OF WASHERS M10 NORDLOCK	1
33	0025080206	HH COLLAR SCREW M8X20 TX40	6
34	76203018000	ELASTOMER BEARING	2
35	76203019000	COLLAR BUSH FOR ELAST.BEARING	2
36	54630044000	COLLAR NUT M10 WS=13	1
37	0912101603	AH SCREW DIN0912-M10X160	1
38	60512063050	NUT F.TANK BRAKET REAR	4

C167640310

\* NEW PART

X ON DEMAND



167640310

POS	PARTNUMBER	PARTNAME	PIECE
39	56509064100	SELF LOCKING NUT M6 10.9	1
40	0025060356	HH COLLAR SCREW M6X35 TX30	4
41	0933080103	HH SCREW DIN0933-M 8X10	2
42	58538010000	RUBBER GROMMET 20X11/M6X18 01	2
43	54310086100	SELF LOCKING NUT M10 CU WS=14	2
44	76403096000	CHAIN SPROCKET COVER	1
45	78003035000	STEERING HEAD LOCK 08	1
48	76403007000	NUT PLATE	2
52	0025080406	HH COLLAR SCREW M8X40 TX40	1

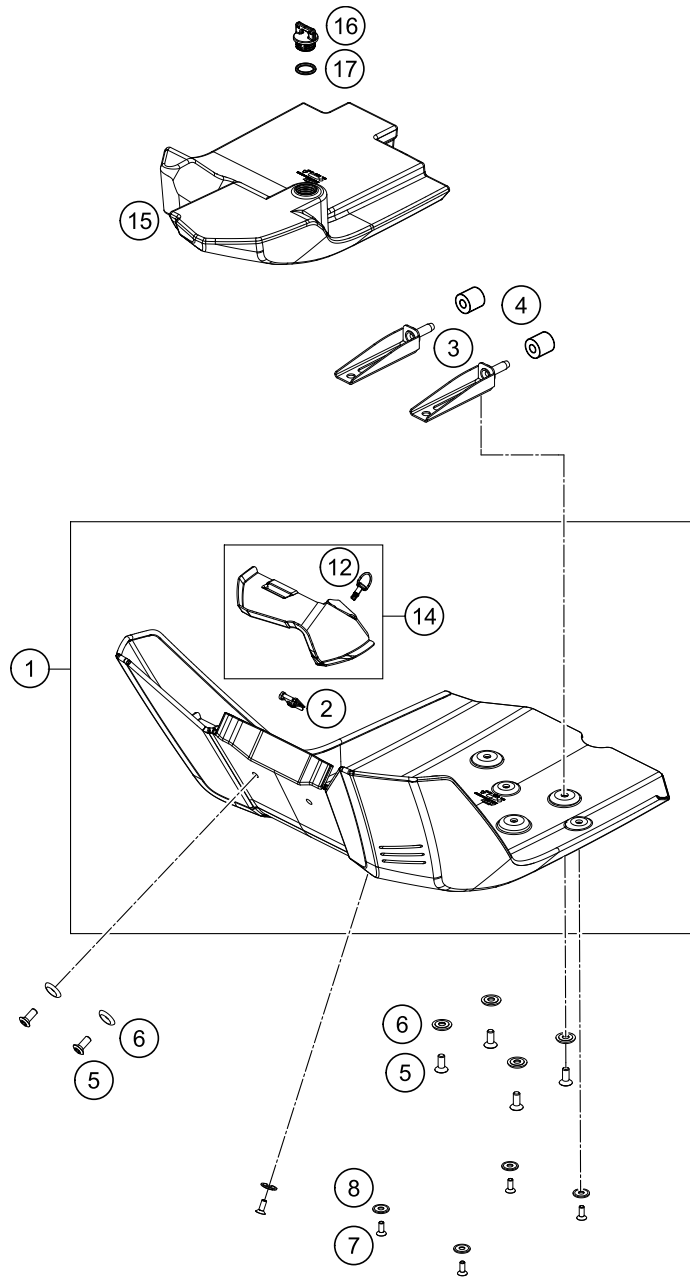
C167640310

\* NEW PART

X ON DEMAND

# ENGINE GUARD

# 450 RALLY FACTORY REPLICA 2016



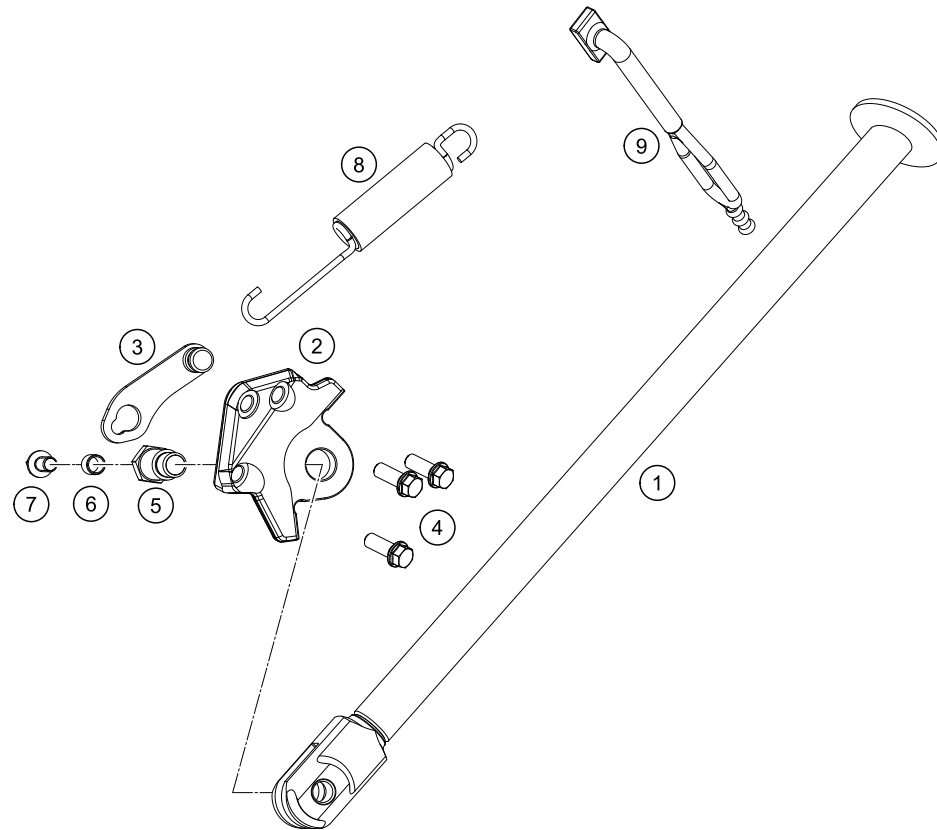
157640330

POS	PARTNUMBER	PARTNAME	PIECE
1	76412099140	ENGINE GUARD WITH TOOL CASE	1
2	45007040052	CLIP	1
3	76412099010	ENGINE GUARD BRACKET REAR CPL.	2
4	76203005031	RUBBER INSERT	2
5	0019080206S	FLAT HEAD SCREW M. ISA45 M8X20	6
6	58303061000	SPECIAL WASHER ALU 8 X 24 MM	6
7	0991060163	FLAT HEAD SCR. DIN7991-M 6X16	5
8	58308045000	SPECIAL WASHER 7X12,5X20 BLACK	5
12	45007040051	QUICK RELEASE CPL. 50 SXR '97	1
14	76412099142	COVER TOOL CASE CPL.	1
15	76412099000	WATER CANISTER	1
16	79430020033	OIL FILLER CAP M24x3 WITH O-R	1
17	0770191015	O-RING 19,00X3,00 NBR	1

C157640330

\* NEW PART

X ON DEMAND



POS	PARTNUMBER	PARTNAME	PIECE
1	76403023000	SIDE STAND	1
2	76403126000	SIDE STAND BRACKET	1
3	76403031000	SPRING CLIP SIDE STAND	1
4	0025060166	HH COLLAR SCREW M6X16 TX30	3
5	58203027200	SCREW FOR SIDE STAND M10X26,7	1
6	58011039000	SPACER BUSHING 6,5 X 8 X 7	1
7	0015060123	HH COLLAR SCREW M 6X12 WS=8	1
8	58403030100	SIDE ST.SPRING LO. W.RUBBER 03	1
9	76503025000	RUBBER SIDE STAND	1

157640360

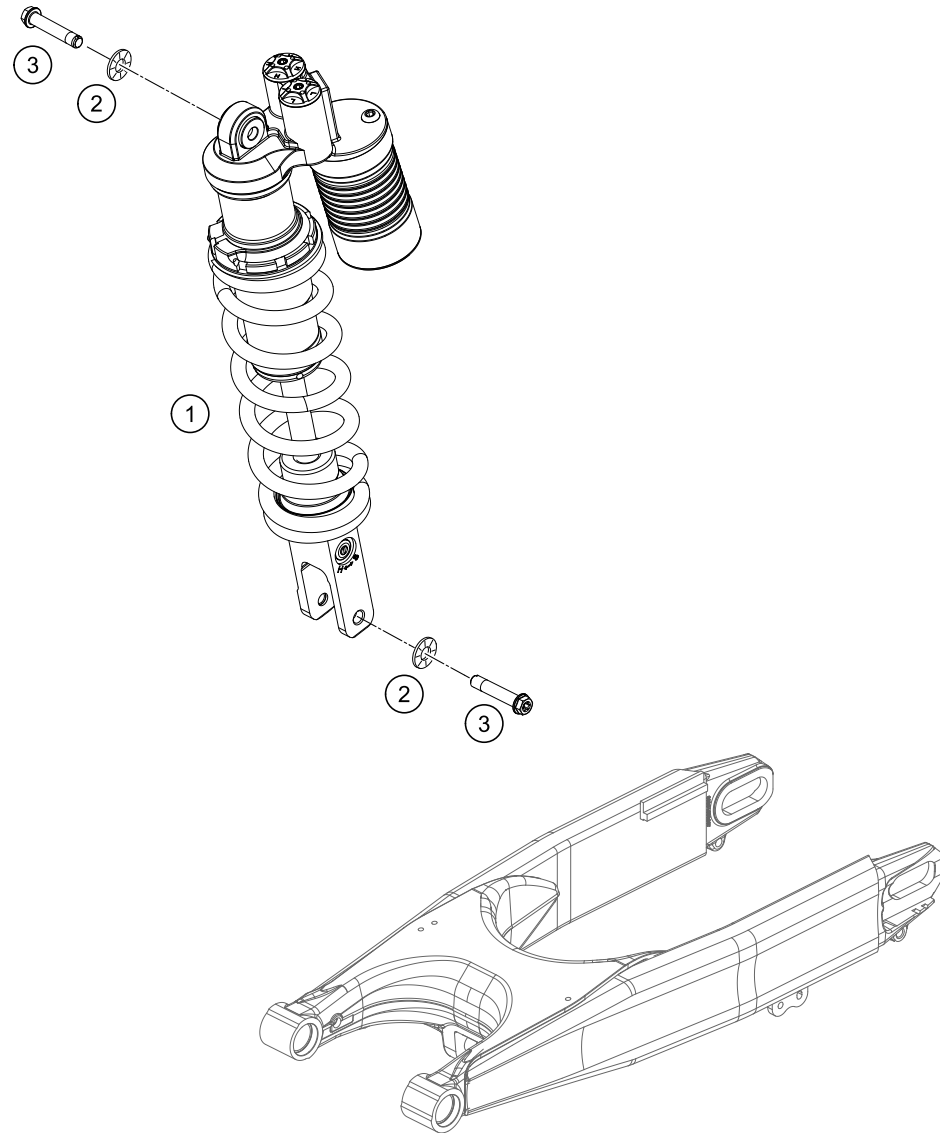
C157640360

\* NEW PART

X ON DEMAND

# SHOCK ABSORBER

# 450 RALLY FACTORY REPLICA 2016



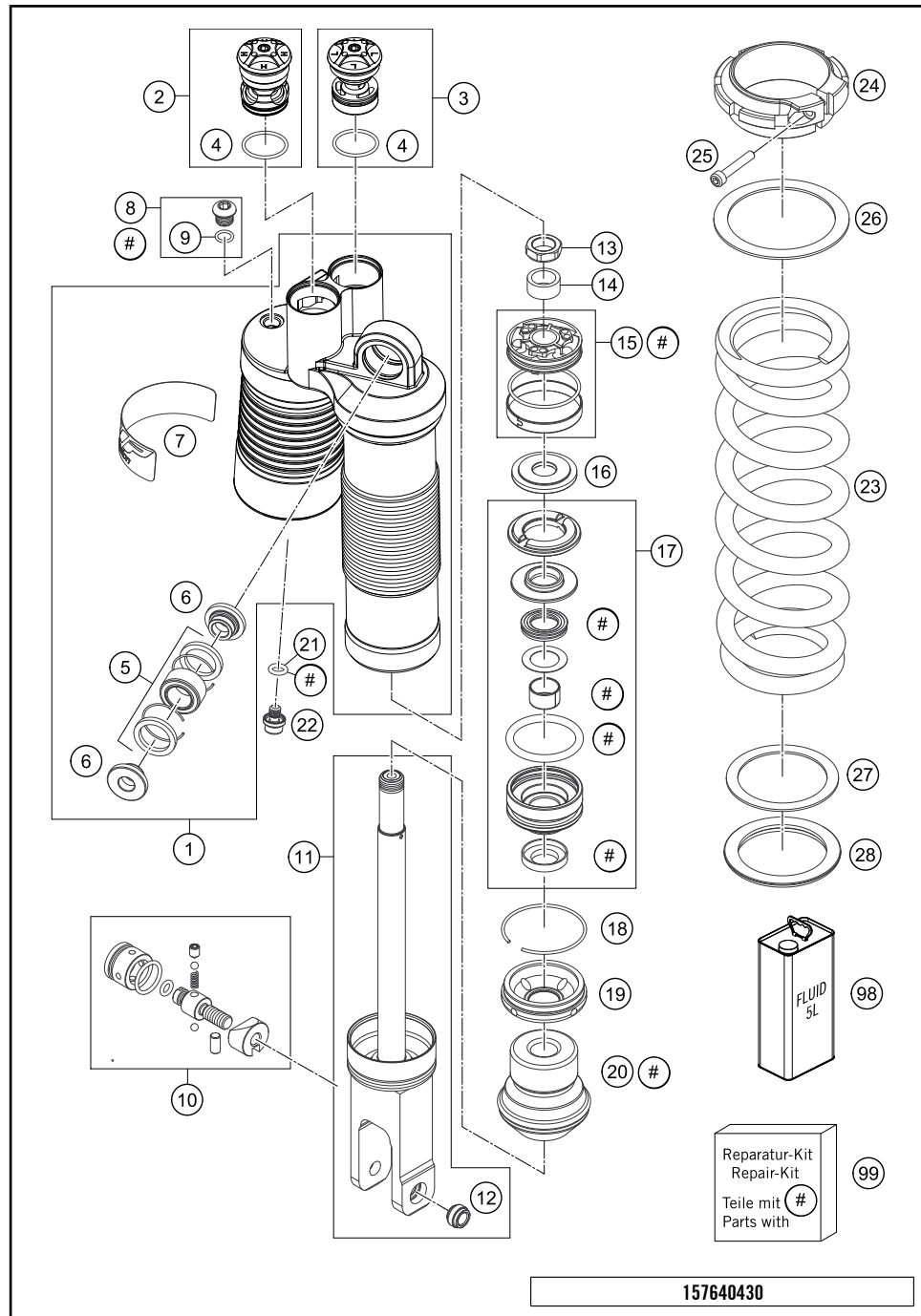
POS	PARTNUMBER	PARTNAME	PIECE
1	18180N40E	MONOSHOCK RALLY 450	1
2	50233041100	PAIR OF WASHERS M10 NORDLOCK	2
3	77204089000	HH COLLAR SCREW M10X52 SW13	2

157640410

C157640410

\* NEW PART

X ON DEMAND

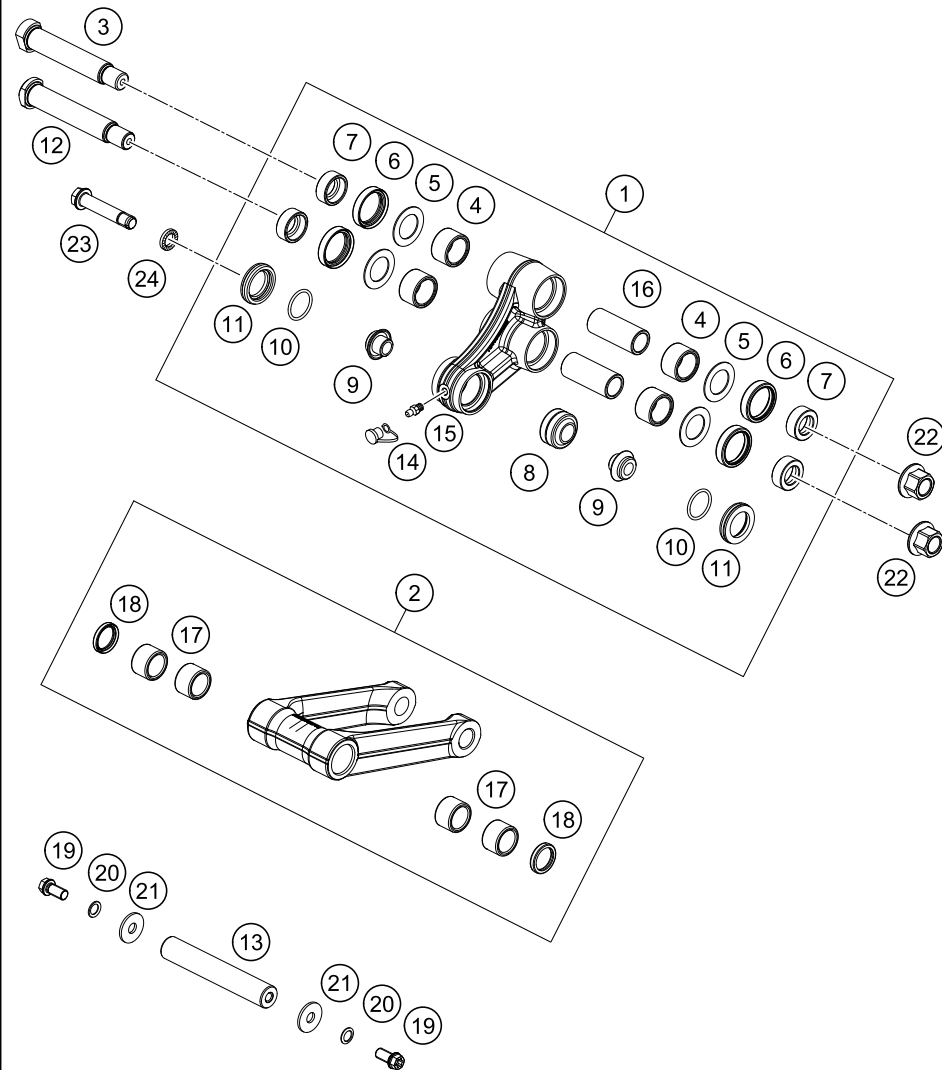


POS	PARTNUMBER	PARTNAME	PIECE
1	50181064S	MONOSOCK UPPER PART CPL.	1
2	50181009S	DCC COMPR.DAMP.ADJ. HS LINK	1
3	50181008S	DCC COMPR.DAMP.ADJ. LS 10	1
4	50180524	O-RING VITON 23,52X1,78	2
5	R12012	REP. KIT BEAR./SEAL UP. 07	1
6	46180010	BUSH KGW 10X24	2
7	52000128	STICKER WP WARNING	1
8	40140014S	PLUG ALU M10X1 CPL.	1
9	50180100	O-RING 8X1,5 VITON	1
10	46180522S1	TAP ADJ. REBOUND	1
11	50180773SA2	MONOSHOCK BOTTOM PART CPL.	1
12	46811205	ADAPTOR-BUSH M10x1,50, D=15	1
13	50180529	PISTON ROD NUT M16X1	1
14	50181114	SPACER BUSHING	1
15	50180311S	PISTON CPL.	1
16	50180233	REBOUND DISC D=34, H=2	1
17	50180603S	ADAPTOR CPL. D=50 H=28 08	1
18	50180126	CIRCLIP 53X1,75	1
19	50181061	COVER D50H8	1
20	50180480	BUMP RUBBER D58 D17 H59 SXS 05	1
21	46810893	O-RING NBR 5,28X1,78	1
22	36120151	SCREW PLUG M5X6	1
23	91310067S	SPRING (64/58) 54-260 D11,25	1
24	50180678	SPRING RET. M57,5X1	1
25	50180327	AH SCREW M5X30 DIN912	1
26	50180746	INTERMEDIATE RING 64,1X80,5	1
27	50180410	INTERM.RING D=58	1
28	50180552	VALVE SPRING D58 WP500 CLOSED	1
98	50180751S1	SHOCK ABSORBER FLUID 5 LT	1
99	R14055	REPAIR-KIT	1

157640430

C157640430

\* NEW PART X ON DEMAND



POS	PARTNUMBER	PARTNAME	PIECE
1	76403132044	CANTILEVER CPL.	1
2	76403183044	PULL ROD CPL.	1
3	76403032010	BOLT FOR CANTILEVER	1
4	54603097000	NEEDLE BUSH HK 2016	4
5	59033080000	SHIM 20X32X1	4
6	0760253270	SHAFT SEAL RING 25X32X7	4
7	77204080130	BUCKET SHAFT SEAL RING 25X11	4
8	76203083050	SPHERICAL BEARING INA GE14BW	1
9	76403085000	COLLAR BUSHING	2
10	0770021020	O-RING 21,00X2,00 NBR70	2
11	76203032020	SUPPORT FOR SEAL RING	2
12	76403032015	BOLT FOR CANTILEVER	1
13	76203083010	PULL ROD ANCHOR BOLT	1
14	53003099000	CAP WITH LOOP RED	1
15	72003035000	GREASE FITTING M6 STRAIGHT	1
16	54603081000	BUSHING SLEEVE 15 X 20 X 48	2
17	56503195100	NEEDLE BEARING HK 1816	4
18	0760182442	SHAFT SEAL RING 18X24X4	2
19	0025080166S	HH COLLAR SCREW M8X16 TX40	2
20	36003014000	LOCK WASHER 8MM	2
21	0021080003	WASHER DIN9021-A 8,4	2
22	54603015000	SELF LOCKING NUT M14X1,5 WS=19	2
23	77204089000	HH COLLAR SCREW M10X52 SW13	1
24	50233041100	PAIR OF WASHERS M10 NORDLOCK	1

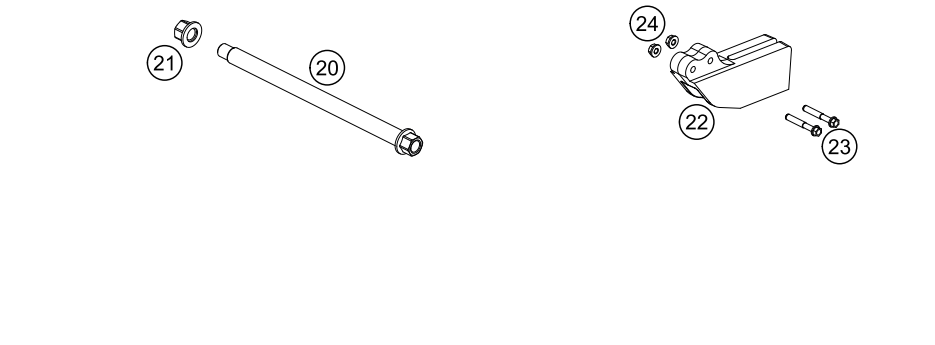
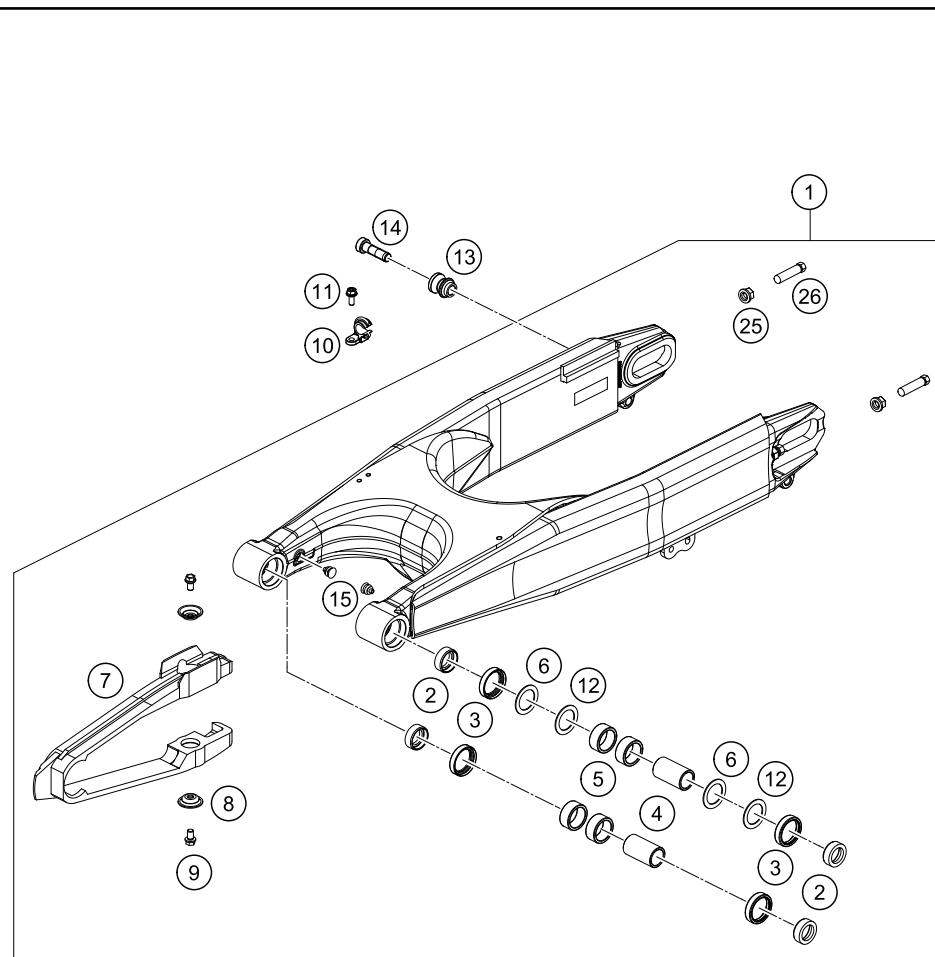
157640460

C157640460

\* NEW PART

X ON DEMAND





POS	PARTNUMBER	PARTNAME	PIECE
1	76404030044	SWINGARM RALLY CPL.	1
2	76204034000	SPACER F. SHAFT SEALRING 07	4
3	0760253270	SHAFT SEAL RING 25X32X7	4
4	59404032000	BEARING SLEEVE 17X22X38,7 03	2
5	0618222812	NEEDLEBEAR HK2212V 22/28/12 MB	4
6	76203037100	STOP DISK 22X32X1,0	2
7	50304066100	CHAIN GUARD 05	1
8	72210079000	BUCKET	2
9	0025060106	HH COLLAR SCREW M6X10 TX30	2
10	54611076100	RETAIN.CLAMP FOR BRAKE HOSE'96	1
11	0010050103	SPECIAL SCREW M 5,0X10	1
12	76203037000	STOP DISK 22,2X31,7X0,5	2
13	76404059000	SUPPORT F. LIFTING DEVICE	2
14	0032100356S	AH-COLLAR SCREW M10X35 ISA45	2
15	60004042000	PLUG SFL12 GREY 05	2
20	76204037044	SWINGARM BOLT CPL. 07	1
21	54603015000	SELF LOCKING NUT M14X1,5 WS=19	1
22	54607066100	CHAIN GUIDE REAR '94	1
23	0025060406	HH COLLAR SCREW M6X40 TX30	2
24	56509064100	SELF LOCKING NUT M6 10.9	2
25	58414030000	HH COLLAR NUT M10X1,25 WS=13	2
26	50304040100	SCREW M10X1,25X50 WS=10	2

157640490

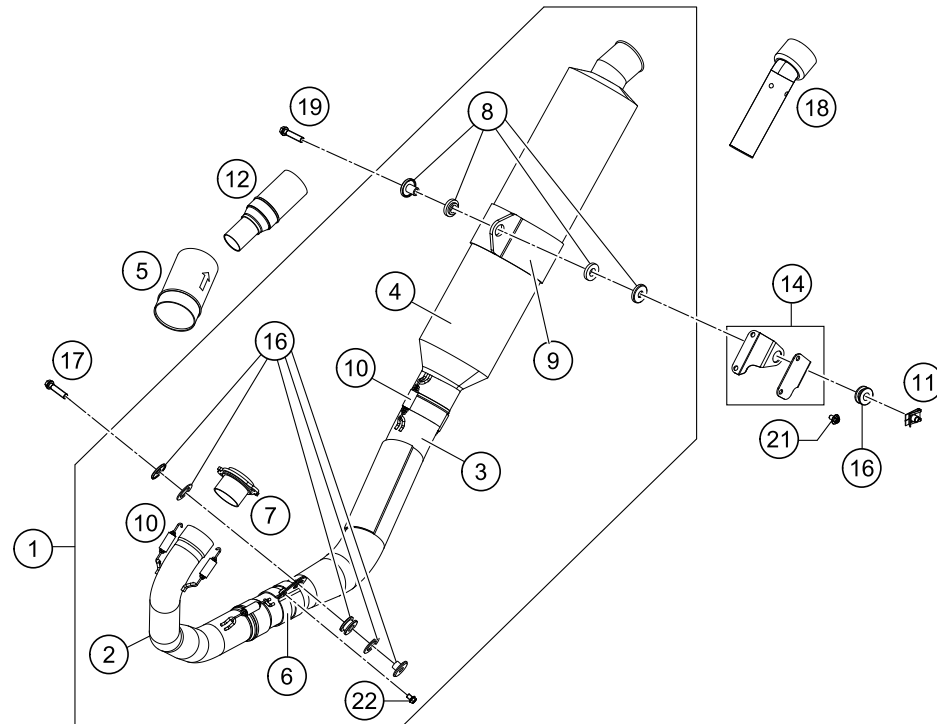
C157640490

\* NEW PART

X ON DEMAND

# EXHAUST SYSTEM

# 450 RALLY FACTORY REPLICA 2016



POS	PARTNUMBER	PARTNAME	PIECE
1	76405000000	EXHAUST SYSTEM CPL. AKRAPOVIC	1
2	76405007000	EXHAUST MANIFOLD	1
3	76405008000	EXHAUST TAIL PIPE	1
4	76405083000	SILENCER	1
5	78105091000	PLUG IN CAT 2012	1
6	76405053000	EXHAUST BRACKET	1
7	76436039000	EXHAUST FLANGE	1
8	76405096033	MONTAGEKIT SILENCER	1
9	76405084000	CLAMP FOR SILENCER	1
10	57305016100	EXHAUST-SPRING SMALL W. RUBBER	6
11	54603048000	RANGE CHANGE METAL NUT M8	1
12	77005009033	CATALYST WELDED EXC 08	1
14	76405052044	EXHAUST FIXING PLATE SET REAR	1
16	76405095033	MONTAGEKIT EXHAUST PIPE	1
17	0025080306	HH COLLAR SCREW M8X30 TX40	1
18	76305001000	DB-KILLER	1
19	0025080406	HH COLLAR SCREW M8X40 TX40	1
21	0024060106	HH COLLAR SCREW M6X10 TX30	4
22	0025060086	HH COLLAR SCREW M6X8 TX30	1

167640510

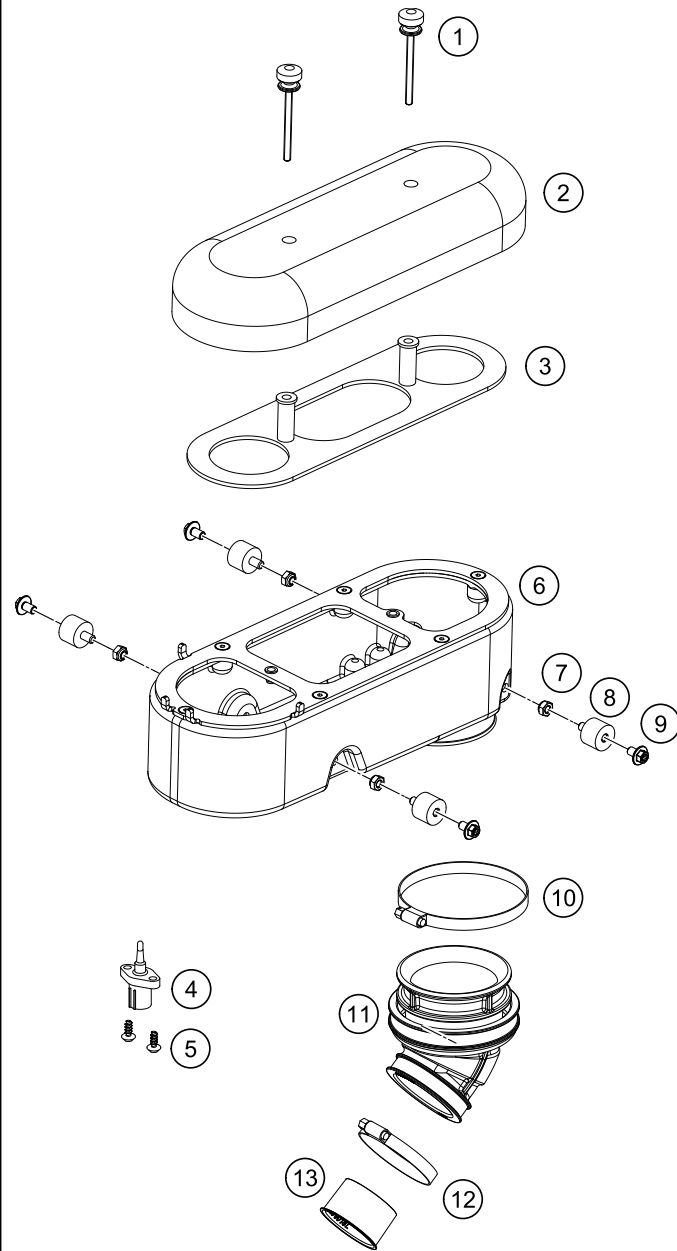
C167640510

\* NEW PART

X ON DEMAND

# AIR FILTER

# 450 RALLY FACTORY REPLICA 2016



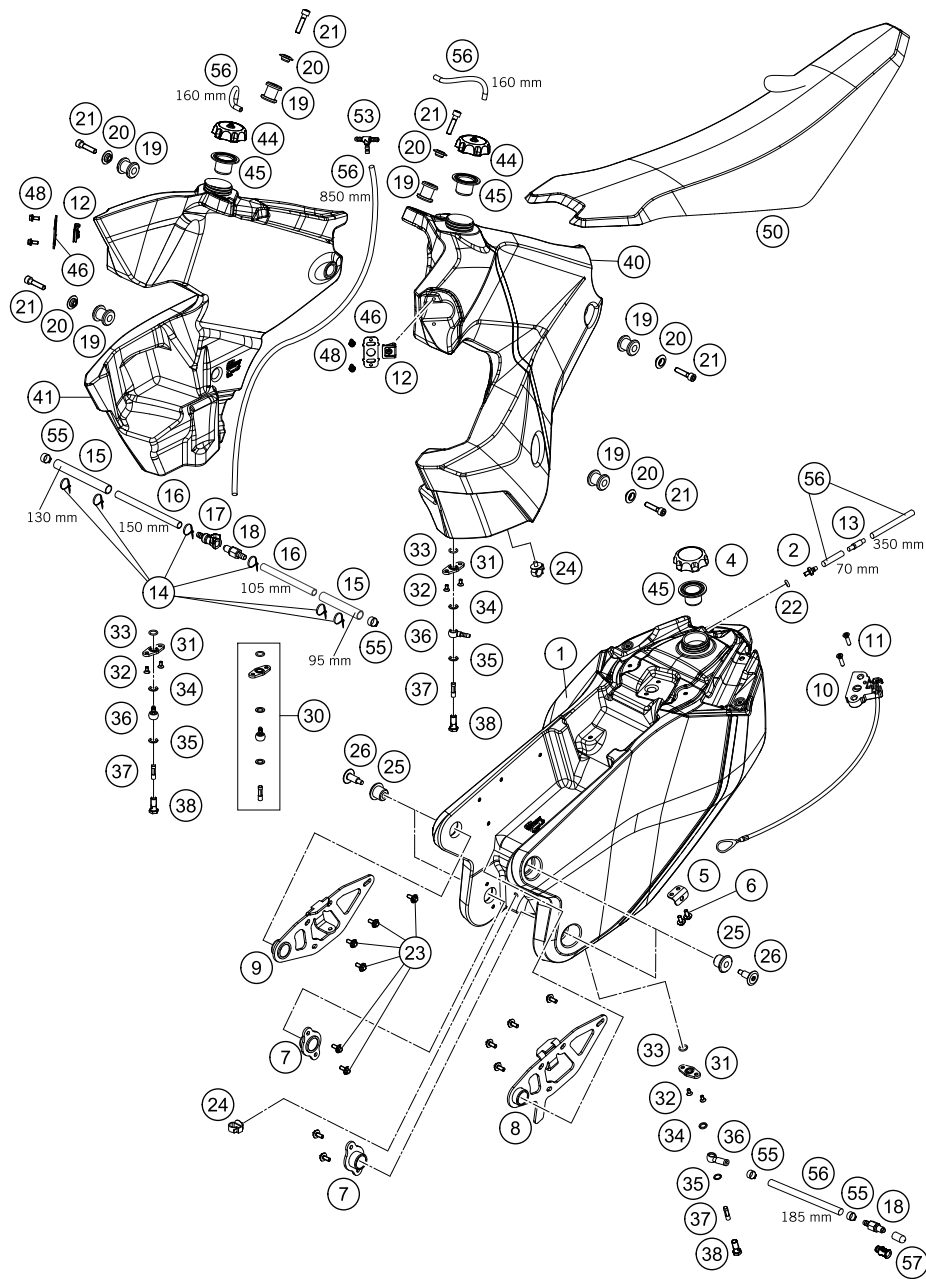
POS	PARTNUMBER	PARTNAME	PIECE
1	76406006000	SPECIAL SCREW	2
2	58506015000	AIR FILTER TWIN AIR 01	1
3	58506001000	FILTER CARRIER	1
4	61041080000	AMBIENT-AIR TEMPERATURE SENSOR	1
5	0912050123	AH SCREW DIN0912-M 5X12	2
6	76406101000	AIR FILTER BOX	1
7	0985060003	SELF LOCK. NUT DIN0985-M 6	4
8	43205062100	RUBBER GROMMET 20X15-M6X10 (1)	4
9	0024060106	HH COLLAR SCREW M6X10 TX30	4
10	76406027000	CLAMP DIN3017-80-100X9-W1-2	1
11	76406124000	INTAKE BOOT	1
12	78006027000	HOSE CLAMP 45-65MM	1
13	78106012050	THROTTLE VALVE	1

157640610

C157640610

\* NEW PART

X ON DEMAND



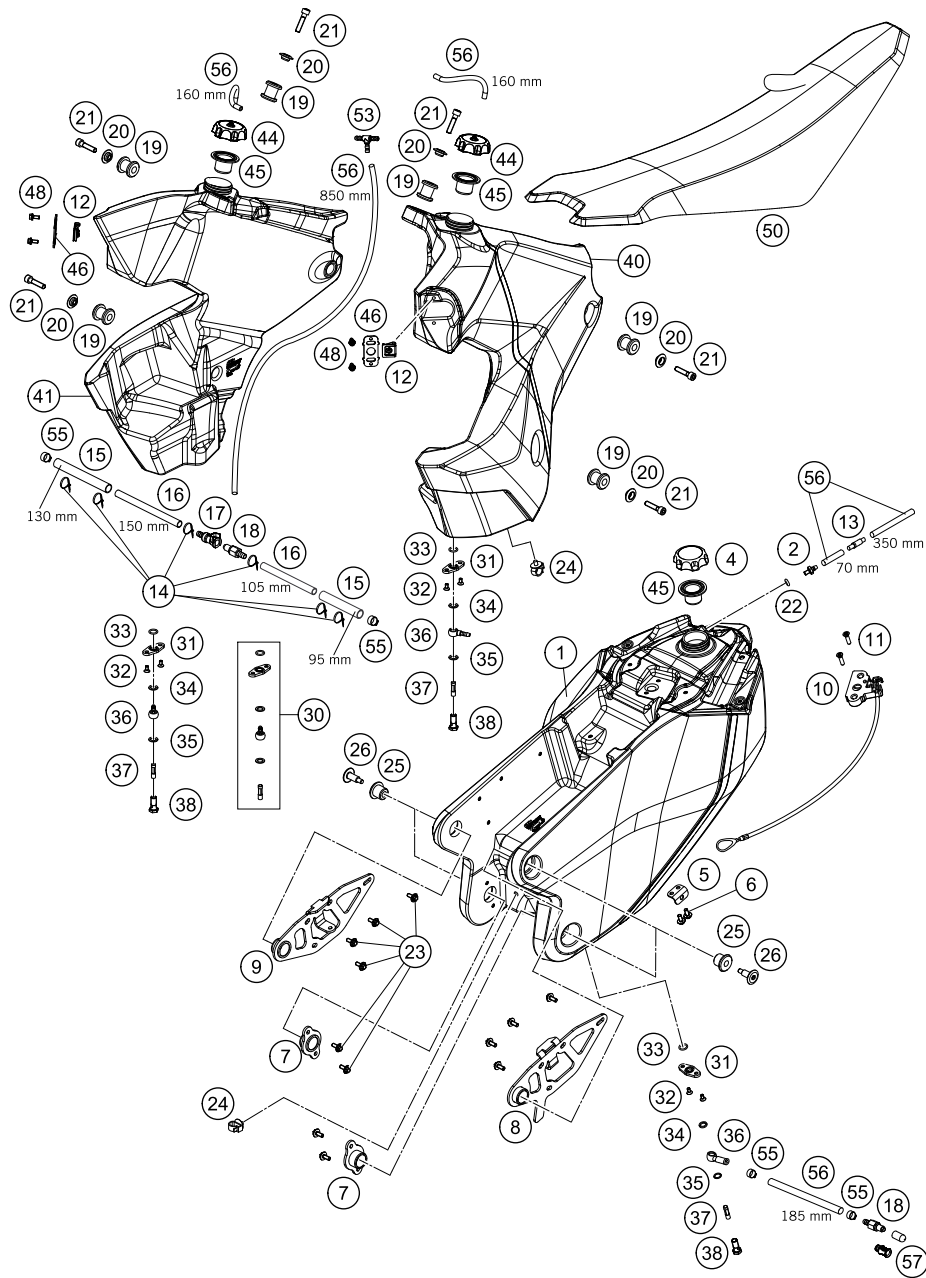
167640710

POS	PARTNUMBER	PARTNAME	PIECE
1	7640701500028A	REARTANK WHITE	1
2	76407029000	BLEEDER SCREW M6	1
4	76307108000	FILLER CAP TANK RALLY	1
5	76407031000	STRAP SIDE STAND RUBBER	1
6	0024060136	HH COLLAR SCREW M6X13 TX30	2
7	76407032000	STIFFENERS REARTANK CPL.	2
8	76407027000	SUPPORT REARTANK LEFT CPL.	1
9	76407028000	SUPPORT REARTANK RIGHT CPL.	1
10	76407050000	SEAT LOCK	1
11	0991060202	FLAT HEAD DIN7991-M 6X20	2
12	45007040052	CLIP	2
13	57307019000	VALVE FOR TANK BREATHING 02	1
14	76311093280	CABLE TIE 280MM	6
15	76407030000	HEAT PROTECTION HOSE	1
16	58507116100	HOSE OG.ECO 1TBSE 7X13MM	x
17	58507010500	CLUTCH F. FUEL HOSE CPC 03	1
18	58507010300	PLUG F. FUEL HOSE CPC 2003	3
19	76407061000	RUBBER BUSHING	6
20	76407064000	BUSHING SLEEVE	6
21	0912080303	AH SCREW DIN0912-M 8X30	6
22	0770035020	O-RING 3,5X2,00 NBR	1
23	0024060156	HH COLLAR SCREW M6X15 TX30	12
24	58111076000	CABLE SUPPORT KHS NR.150-47610	2
25	76407066000	RUBB.BEAR.BOX 14x24x35 L=24,5	4
26	76407060000	BEARING SKREW	4
30	58507008000	FUEL CONNECTION CPL. 01	3
31	58507008050	FUEL FLANGE SHEET 01	2
32	0991050102	FLAT H.SCEW DIN7991-M5X10 10.9	6
33	0770120020	O-RING 12,00X2,00 NBR 70	3
34	0603101420	COPPER GASKET 10,2X14X2 MM 01	3
35	42013226000	CU-SEAL RING DIN7603-10X16X1	3
36	49138493000	RING COMPONENT 10/6MM	3
37	58507008010	FUEL FLANGE-STRAINER 03	3
38	58507025000	HOLLOW SCREW M10X1X24 RALLY 02	3
40	7640701300028A	FUEL TANK CPL. FRONT L/S	1
41	7640701400028A	FUEL TANK CPL. FRONT R/S	1
44	76407108000	TANK CAP	2
45	59007009000	GASKET FOR FILLER CAP HIGH	3

C167640710

\* NEW PART

X ON DEMAND



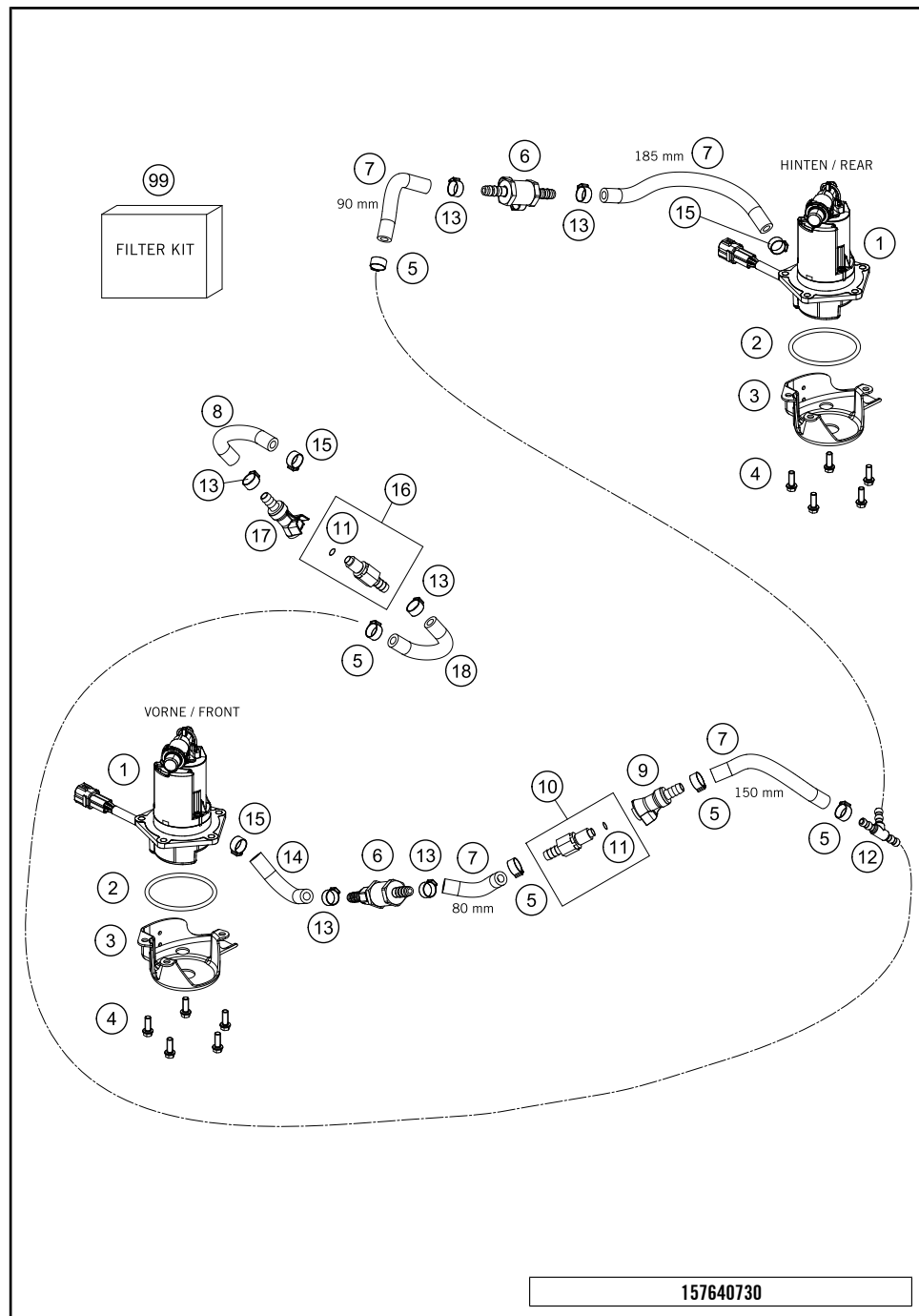
POS	PARTNUMBER	PARTNAME	PIECE
46	76407013041	CLIP HOLDING PLATE	2
48	0025050126	HH COLLAR SCREW M5X12 TX30	4
50	76407040000	SEAT RALLY CPL.	1
53	58007015000	T-CONNECTOR FOR FUEL LINE	1
55	58007117200	OETIKER HOSE CLAMP 13,3MM	6
56	58507007001	HOSE 8X5MM RALLYE 03	X
57	81212016000	% WASH CAP SET	X
57	81212016100	WASH CAP SET	X

167640710

C167640710

\* NEW PART

X ON DEMAND



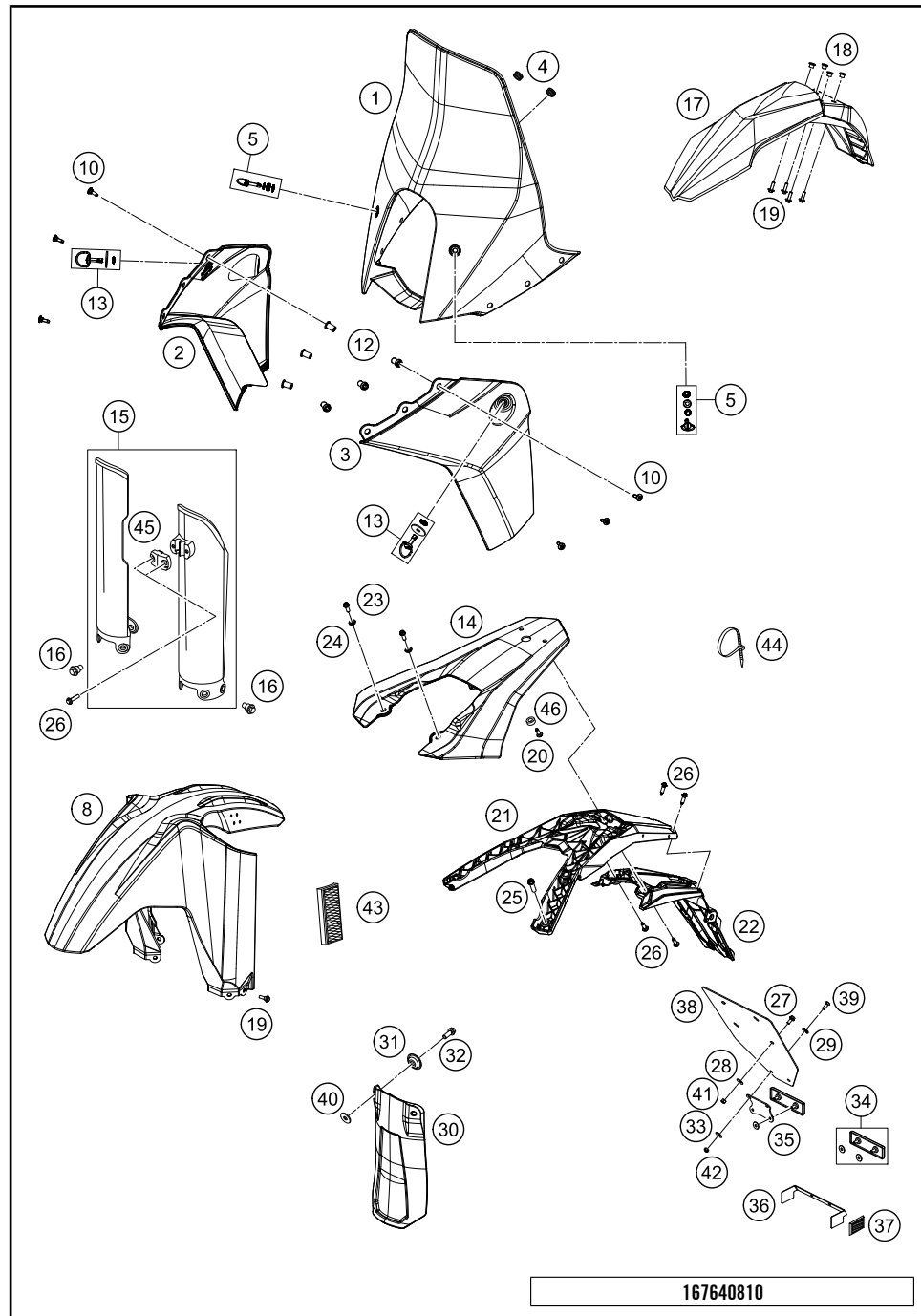
157640730

C167640730

POS	PARTNUMBER	PARTNAME	PIECE
1	76407088000	FUEL PUMP	2
2	0770646057	O-RING 64.6X5.7 NBR 70 SHORE	2
3	76407125000	FUEL PUMP PROTECTION	2
4	0025060166	HH COLLAR SCREW M6X16 TX30	10
5	58007117200	OETIKER HOSE CLAMP 13,3MM	5
6	76441010100	FLAP VALVE	2
7	58507116100	HOSE OG.ECO 1TBSE 7X13MM	x
8	77407016100	FUEL HOSE PREFORMED DKK	1
9	58507010500	CLUTCH F. FUEL HOSE CPC 03	1
10	58507010300	PLUG F. FUEL HOSE CPC 2003	1
11	58507012000	O-RING VITON F. PLUG CPC 05	2
12	58007015000	T-CONNECTOR FOR FUEL LINE	1
13	00050157706	VARIABLE ONE-EAR CLAMP 15,7MM	6
14	77407116000	FUEL HOSE TANK	1
15	76207037000	CLAMP MINI	3
16	5850701030030	PLUG CPC BLACK 05	1
17	5850701050030	CLUTCH CPC BLACK 05	1
18	76407116000	FUEL STRUCTURAL HOSE	1
99	76407088100	FILTER KIT	x

\* NEW PART

X ON DEMAND



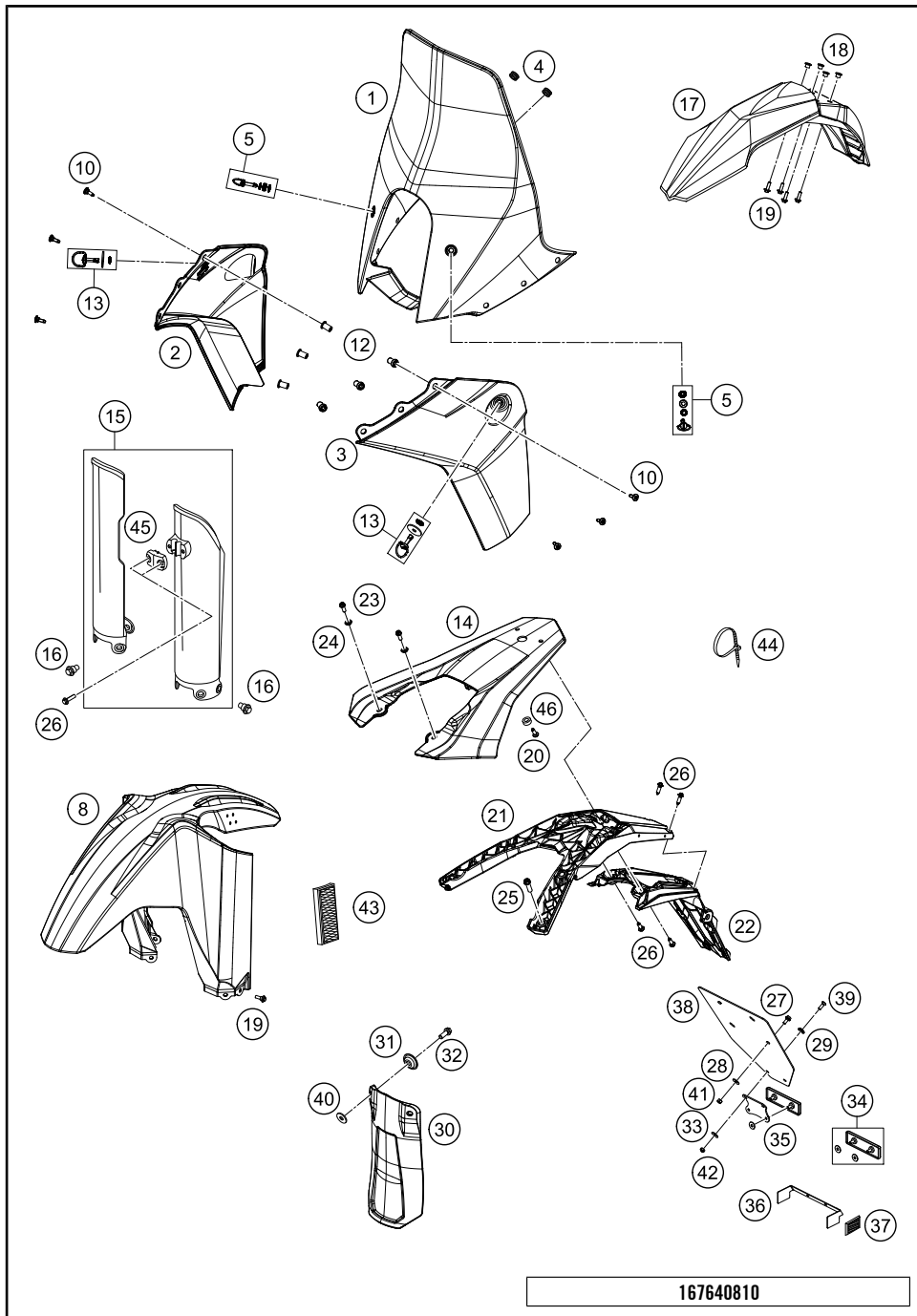
167640810

POS	PARTNUMBER	PARTNAME	PIECE
1	76408008000	WINDSHIELD	1
2	7640805100028A	SPOILER R/S WHITE	1
3	7640805000028A	SPOILER L/S WHITE	1
4	31008060000	RUBBER SLEEVE D=8MM OPEN	2
5	76408008030	QUICK RELEASE CONNECTOR CPL.	2
8	76408010000	FRONT FENDER CPL.	1
10	69008021060	SPECIAL SCREW M5X17	6
12	60008008050	BLIND PLUG-IN NUT M5 WN 16A 03	6
13	76408008130	QUICK RELEASE CONNECTOR CPL.	2
14	7640801300028A	REAR PART WHITE	1
15	5900109410028	FORK PROTECT. L/S+R/S WHITE 12	1
16	59001092050	SPECIAL SCREW M6X12,5 WS=8	8
17	7730821000028	FRONT FENDER WHITE	x
18	54808020000	SPACER BUSHING 03	4
19	0024060206	HH COLLAR SCREW M6X20 TX30	4
20	0017060305	SPECIAL SCREW K60X30 WS=6	1
21	76408016000	NUMBER PLATE CARRIER	1
22	76508016050	NUMBER PLATE LO. PART 08	1
23	0025060126	HH COLLAR SCREW M6X12 TX30	4
24	76508043050	COLLAR BUSHING	4
25	0025080306	HH COLLAR SCREW M8X30 TX40	4
26	0017060205	SCREW FOR PLASTIC K60X20 SW6	6
27	0024060156	HH COLLAR SCREW M6X15 TX30	4
28	0125060003	WASHER DIN0125-A 6,4	4
29	40006006000	WASHER 6MM	2
30	76506010100	SPLASH PROTECTOR	1
31	72210079000	BUCKET	2
32	0025060166	HH COLLAR SCREW M6X16 TX30	2
33	0125050003	WASHER DIN0125-A 5,3	2
34	58412080000	REFLECTOR RED	1
35	58412080050	BRACKET FOR REFLECTOR	1
36	62512081000	BRACKET SIDE REFLECTOR 06	1
37	16512180100	SIDE REFLECTOR RED REAR	2
38	60012081200	LICENCE FITTING 06	1
39	0966050163	OVAL HEAD SCREW DIN0966-M 5X16	2
40	0021060003	WASHER DIN021-A 6,4	2
41	0985060003	SELF LOCK. NUT DIN0985-M 6	2
42	0985050003	SELF LOCKING NUT DIN0985-M 5	4

C167640810

\* NEW PART

X ON DEMAND



POS	PARTNUMBER	PARTNAME	PIECE
43	58412080100	REFLECTOR YELLOW '99	2
44	44011076140	CABLE TIE 140/2,5MM BLACK	x
44	76311093200	CABLE TIE 200MM	x
45	5900108510028	CLAMP F.SPEED.CABLE D=6MM 12	1
46	76408013010	SLEEVE	1

167640810

C167640810

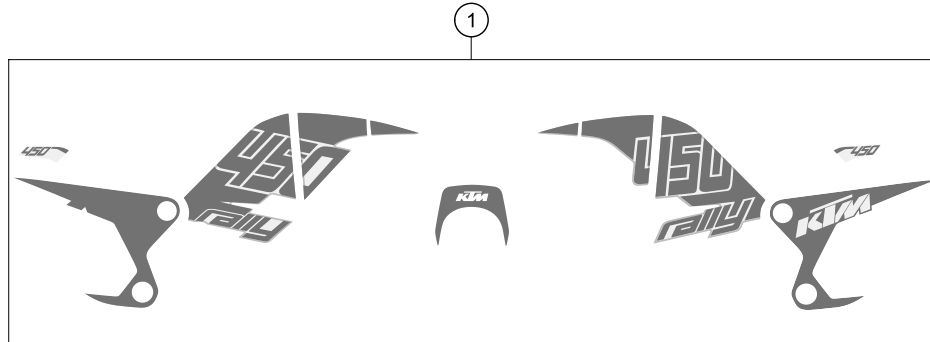
\* NEW PART X ON DEMAND



DECAL

450 RALLY FACTORY REPLICA 2016

POS	PARTNUMBER	PARTNAME	PIECE
1	76408099000	DECALSET	1



157640830

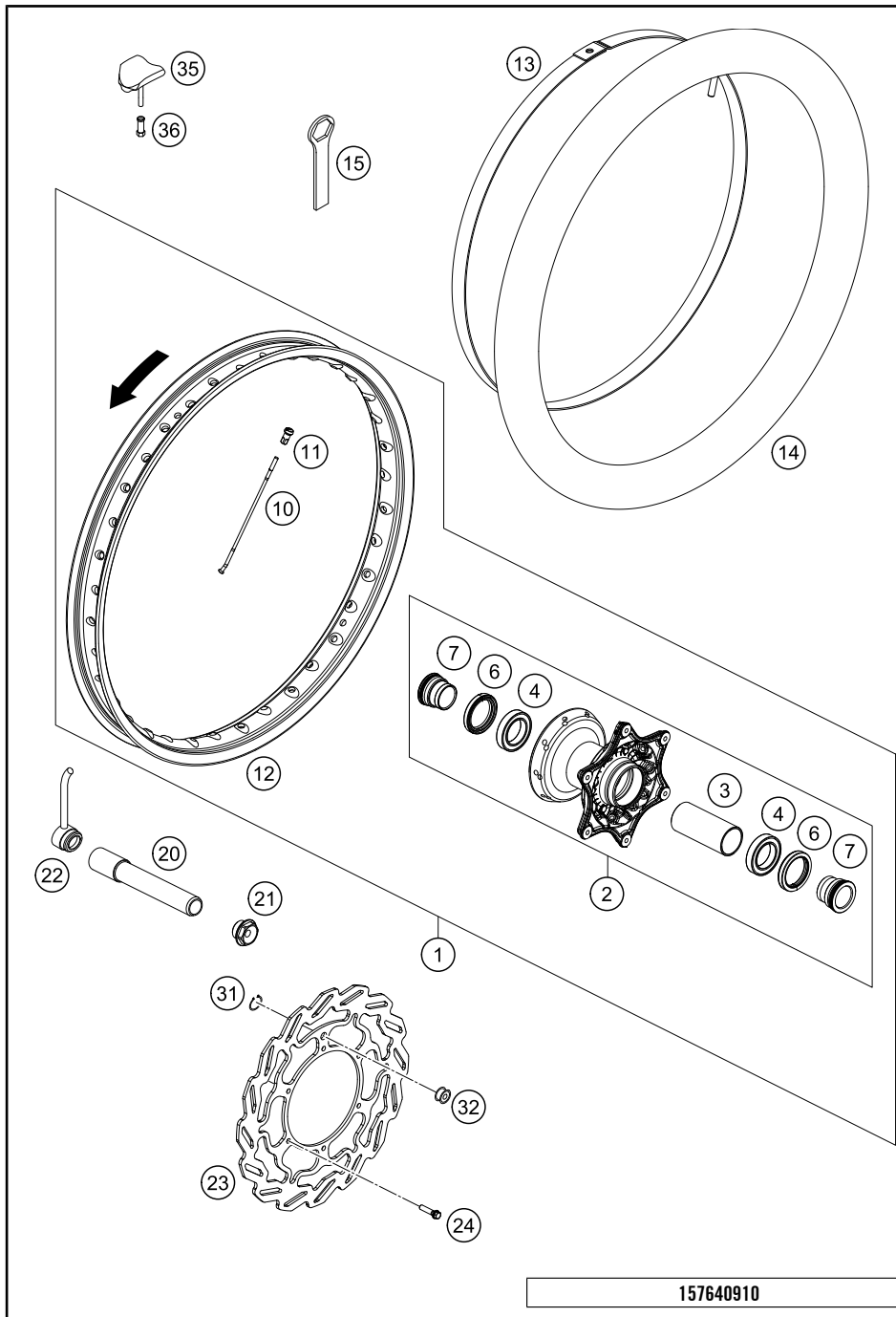
C157640830

\* NEW PART

X ON DEMAND

# FRONT WHEEL

# 450 RALLY FACTORY REPLICA 2016



POS	PARTNUMBER	PARTNAME	PIECE
1	7640900104430	FRONTWHEEL CPL.1,6X21EXCEL	1
2	75309010044	FRONT HUB CPL. 08	1
3	54809011000	BEA.SPACERTUBE 35X2 L=79,4 03	1
4	0625069068	GR.BALL BEAR.6906 DDU2CG23S6NM	2
6	0760354771	SHAFT SEAL RING 35X47X7 TC	2
7	78009012000	SPACER BUSHING F. FR. WHEEL 08	2
10	76409071240	SPOKE	36
11	76409072000	SPOKE NIPPLE QUADRAX M4,5	36
12	7730907000030	RIM 1,6"X21" EXCEL SXS 08	1
13	50309073000	RIM BAND 21"	1
14	50309075000	TUBE 21"	1
15	76212060032	RING WRENCH 32MM	1
20	77309081000	WHEEL SPIN.FR. D=26 M24x1,5 07	1
21	76209082000	COLLAR SCREW FRONT AXLE WS32	1
22	54809081060	FRONT AXLE PULL 26MM 04	1
23	58509060000	BRAKE DISC FRONT 07	1
24	59009062013	SPECIAL SCREW M6X13 WS=8 10.9	6
31	0471009104	CIRCLIP DIN0471- 9X1 INOX	1
32	54814069050	MAGNET FOR DIGITAL SPEEDOM. 03	1
35	78109090000	RIM LOCK 1,60"	x
36	77110090050	NUT FOR WHEEL HOLDER	x

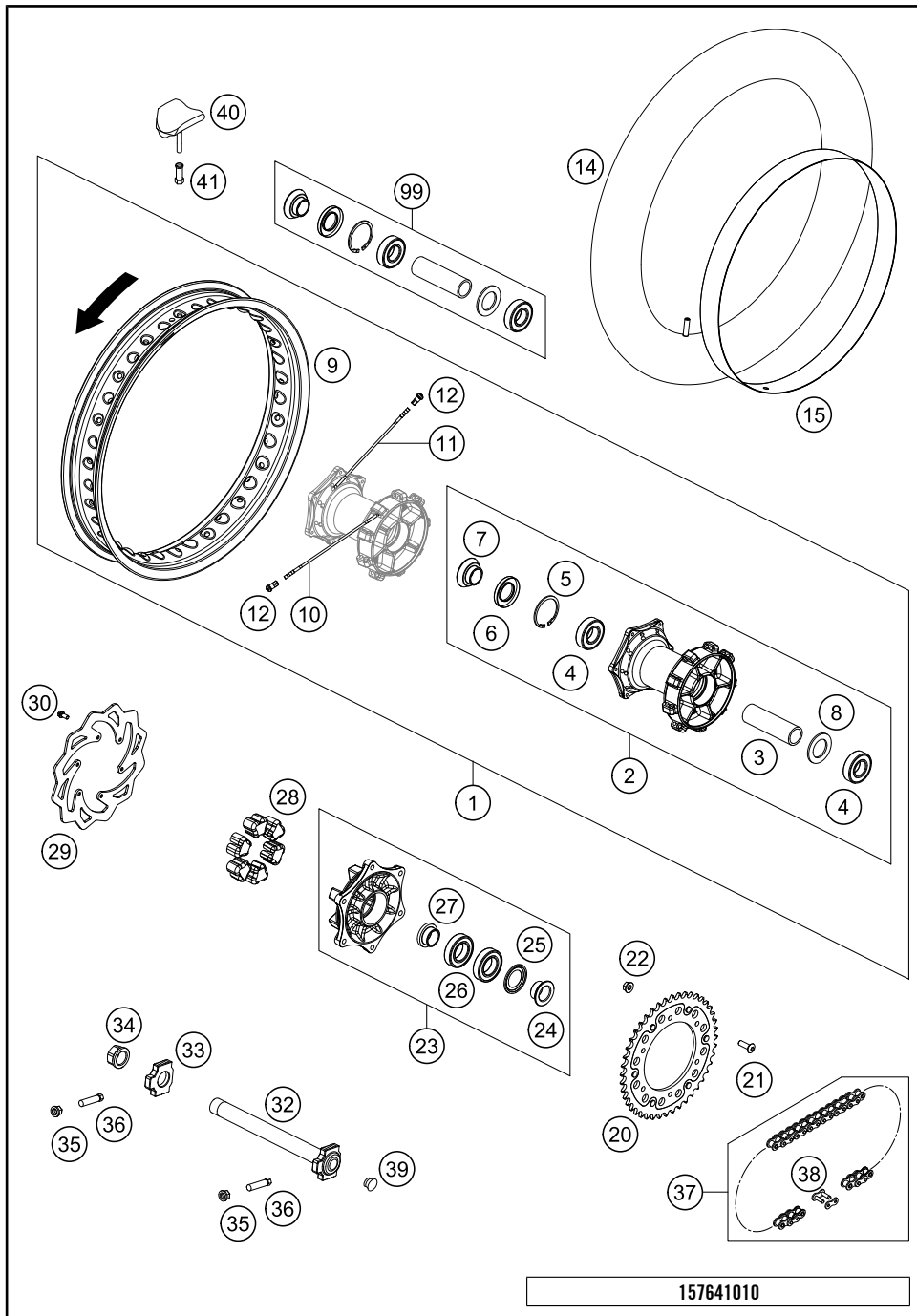
157640910

C157640910

\* NEW PART X ON DEMAND

# REAR WHEEL

# 450 RALLY FACTORY REPLICA 2016



157641010

POS	PARTNUMBER	PARTNAME	PIECE
1	76410001044	REAR WHEEL RALLY CPL.	1
2	7531001004491	REAR WHEEL HUB CPL.	1
3	75310011000	BEARING SPACER TUBE L=106MM 07	1
4	0625062052	GR.BALL BEAR. 6205-2RSHC3HMTF7	2
5	0472052200	CIRCLIP DIN0472-52X2	1
6	0760305271	SHAFT SEAL RING 30X52X7	1
7	60110013000	SPACER BUSH. REAR WHEEL R/S 06	1
8	60010015000	SPACER RING 03	1
9	7621007000030	RIM 2.50X18"	1
10	76410071215	SPOKE M5X215	18
11	76410071205	SPOKE M5X205	18
12	60310072100	SPOKE SIPPLE QUADRAX M5	36
14	50310075100	TUBE 110/100C-18	x
15	50310073200	RIM BAND 18" AND 19"	x
20	5841005104404	REAR SPROCKET ORANGE 44-T	x
20	5841005104604	REAR SPROCKET ORANGE 46 T.	x
20	5841005104804	REAR SPROCKET ORANGE 48-T	x
20	5841005104904	REAR SPROCKET ORANGE 49-T	x
20	5841005105004	REAR SPROCKET ORANGE 50-T	x
20	5841005105104	REAR SPROCKET ORANGE 51-T	1
21	0019080266S	COUNTER-SUNK SCREW ISA45 M8X26	6
22	54310086200	SELF LOCKING NUT M8 10.9	6
23	7501005004491	SPROCKET SUPPORT CPL. SILVER	1
24	60110012000	SPACER BUSH. SPROCKET SUPP. 06	1
25	60110016000	NILOS RING 6006AV	1
26	0625060060	BALL BEARING 6006 DDU2CG23S6NM	2
27	60110014000	SPACER BUSH. SPR. SUPP. IN. 06	1
28	54610459000	RUBBER DAMPING BLOCK '91	6
29	76510060100	REAR BRAKE DISK D=240X4MM	1
30	59009062013	SPECIAL SCREW M6X13 WS=8 10.9	6
32	76210081044	WHEEL SPINDLE REAR CPL.	1
33	60010084000	CHAIN TENSIONER R/S LC8 03	1
34	60010086000	COLLAR NUT WH. SPINDLE REAR 03	1
35	58414030000	HH COLLAR NUT M10X1,25 WS=13	2
36	50304040100	SCREW M10X1,25X50 WS=10	2
37	78010167118	CHAIN DID 118 LINKS	1
38	78010166100	RIVETING LINK FOR 78010167118	1
39	50210086000	COVERING CAP SFL16	1

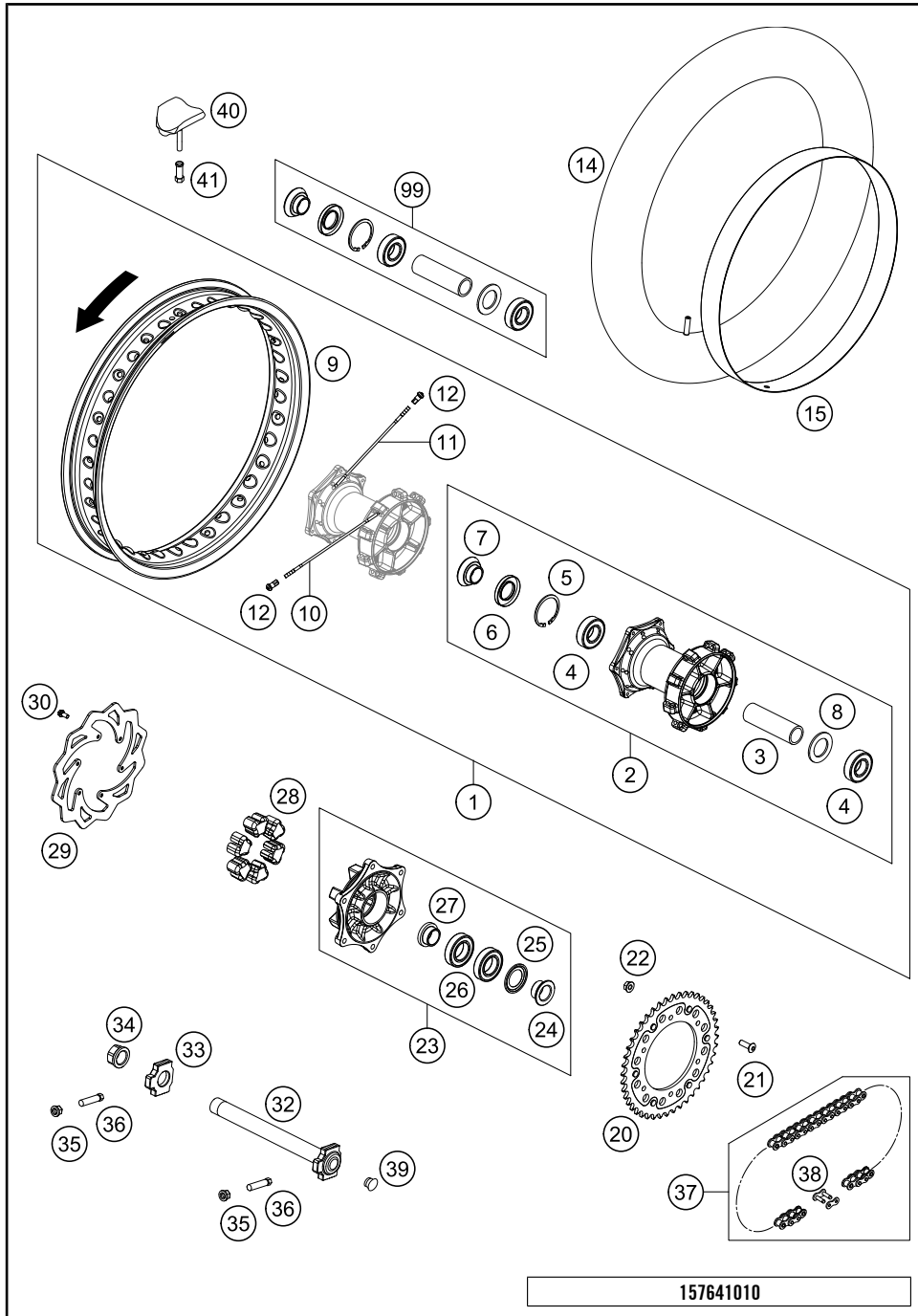
C157641010

\* NEW PART

X ON DEMAND

# REAR WHEEL

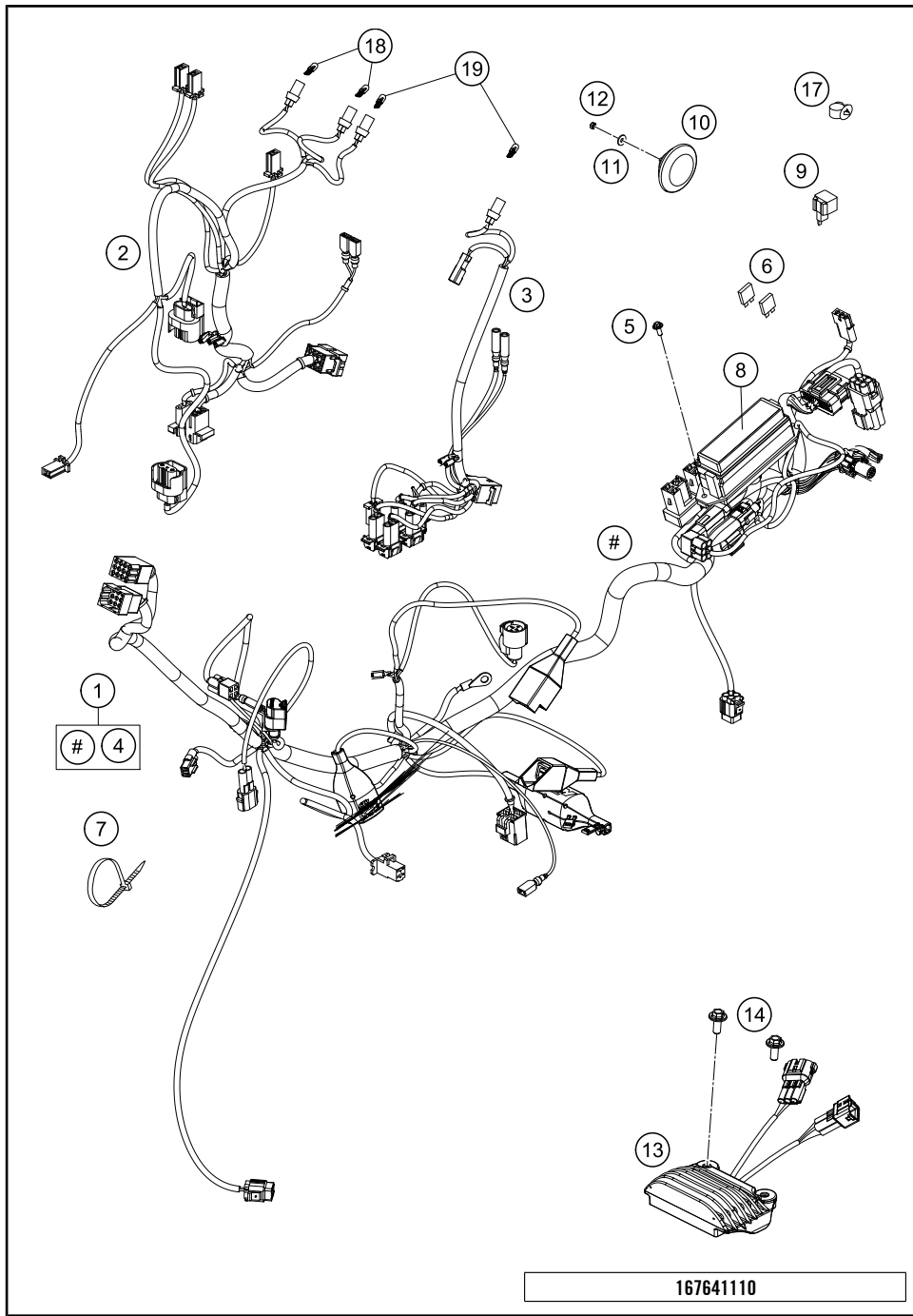
# 450 RALLY FACTORY REPLICA 2016



POS	PARTNUMBER	PARTNAME	PIECE
40	56410100100	RIM LOCK VM4 (2.50")	X
41	77110090050	NUT FOR WHEEL HOLDER	X
99	75010015000	REAR WHEEL REP. KIT	X

C157641010

\* NEW PART X ON DEMAND

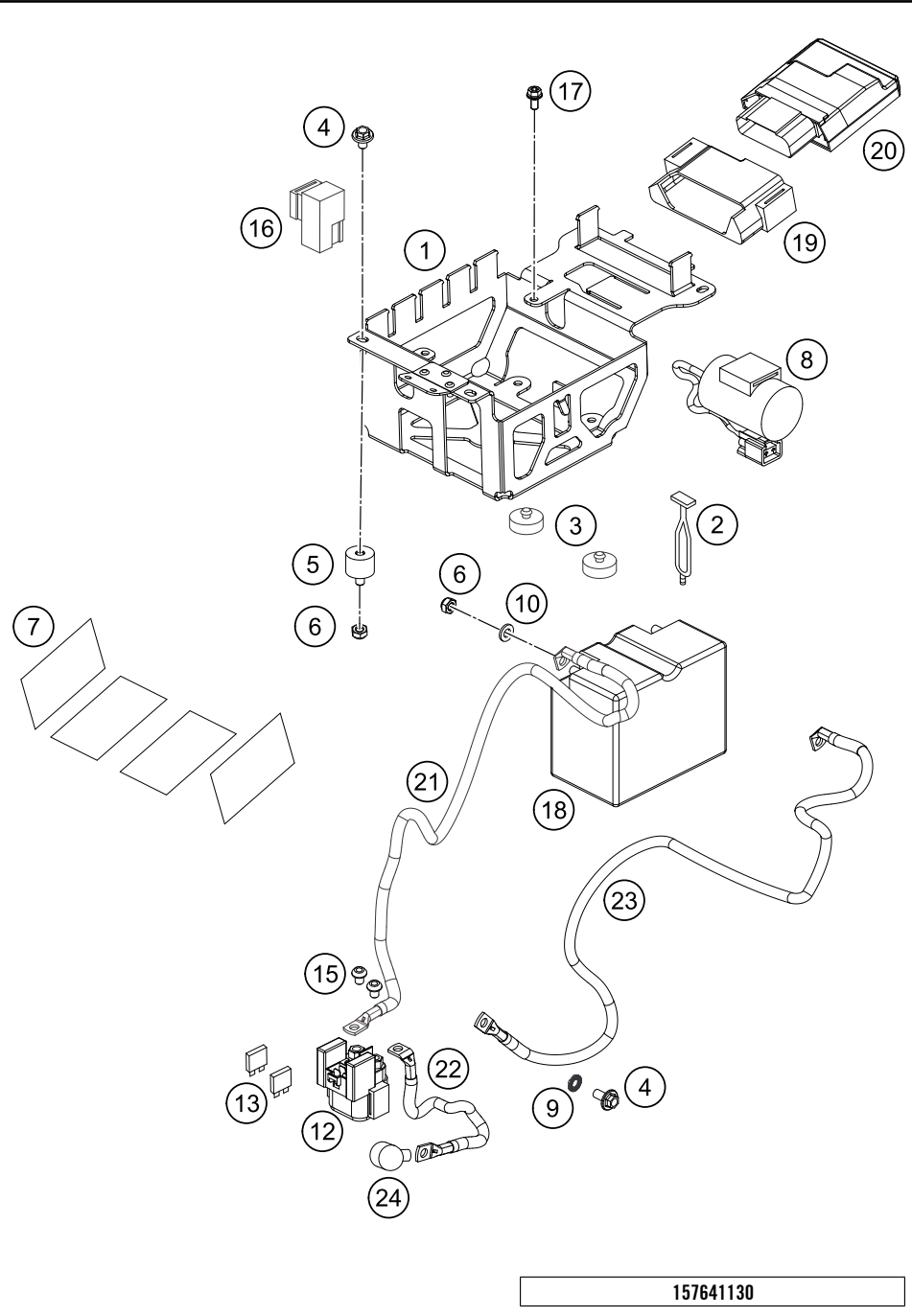


POS	PARTNUMBER	PARTNAME	PIECE
1	76411075100	WIRING HARNESS	1
2	76411082000	WIRING HARNESS LIGHT FRONT	1
3	76411078100	WIRING HARNESS INSTRUMENTS	1
5	0025050106	COLLAR SCREW M5X10 ISA30	2
6	58011109110	FUSE 10 A 2000	7
6	58011109115	FUSE 15 A	1
7	44011076140	CABLE TIE 140/2,5MM BLACK	x
7	44011076200	CABLE TIE 200/3,6MM BLACK	x
7	76311093200	CABLE TIE 200MM	x
7	76311093280	CABLE TIE 280MM	x
8	58511075510	FUSE-BOX COVER	1
9	44611207200	FLASHER UNIT 97	1
10	50311060100	DC HORN L.E.B. 03	1
11	0021050003	WASHER DIN9021-A 5,3	1
12	0985050003	SELF LOCKING NUT DIN0985-M 5	1
13	78111034000	VOLTAGE REGULATOR	1
14	0025060206	HH COLLAR SCREW M6X20 TX30	2
17	58111076000	CABLE SUPPORT KHS NR.150-47610	2
18	49111425200	BULB 12V 2,3W (W2X4,6D)	4
19	49011435100	BULB 12V 5W (W2,1X9,5D) PHIL.	2

167641110

C167641110

\* NEW PART X ON DEMAND



POS	PARTNUMBER	PARTNAME	PIECE
1	76411154000	ELECTRONIC BOX	1
2	50303018000	RUBBER L=145MM	1
3	50307020000	RUBBER BUFFER FOR TANK '98	2
4	0024060106	HH COLLAR SCREW M6X10 TX30	5
5	43205062100	RUBBER GROMMET 20X15-M6X10 (1)	4
6	0985060003	SELF LOCK. NUT DIN0985-M 6	6
7	59003001099	METAMOLL 90X45X3MM 03	4
8	77711035000	CONDENSATOR	1
9	58411098100	CONTACT WASHER M6 VSV-K6	1
10	0125060003	WASHER DIN0125-A 6,4	2
12	58211058000	STARTER RELAY 12V '99	1
13	58011109130	FUSE 30 A	2
15	0902060083	AH OVAL SCREW ISO 7380 M 6X8	2
16	61111057000	RELAY CM1A-R-12V-H80 07	5
17	0025050106	COLLAR SCREW M5X10 ISA30	2
18	77311953000	LITHIUM ION BATTERY 5S	1
19	77741031050	RUBBER BRACKET ECU	1
20	77741031000	ELECTRONIC CONTROL UNIT	1
21	76411059050	BATTERY CABLE	1
22	76411059000	STARTER CABLE 10MM	1
23	76411097000	GROUND CABLE 10MM	1
24	77240099000	PROTECTION CAP F. STARTER ENG.	1

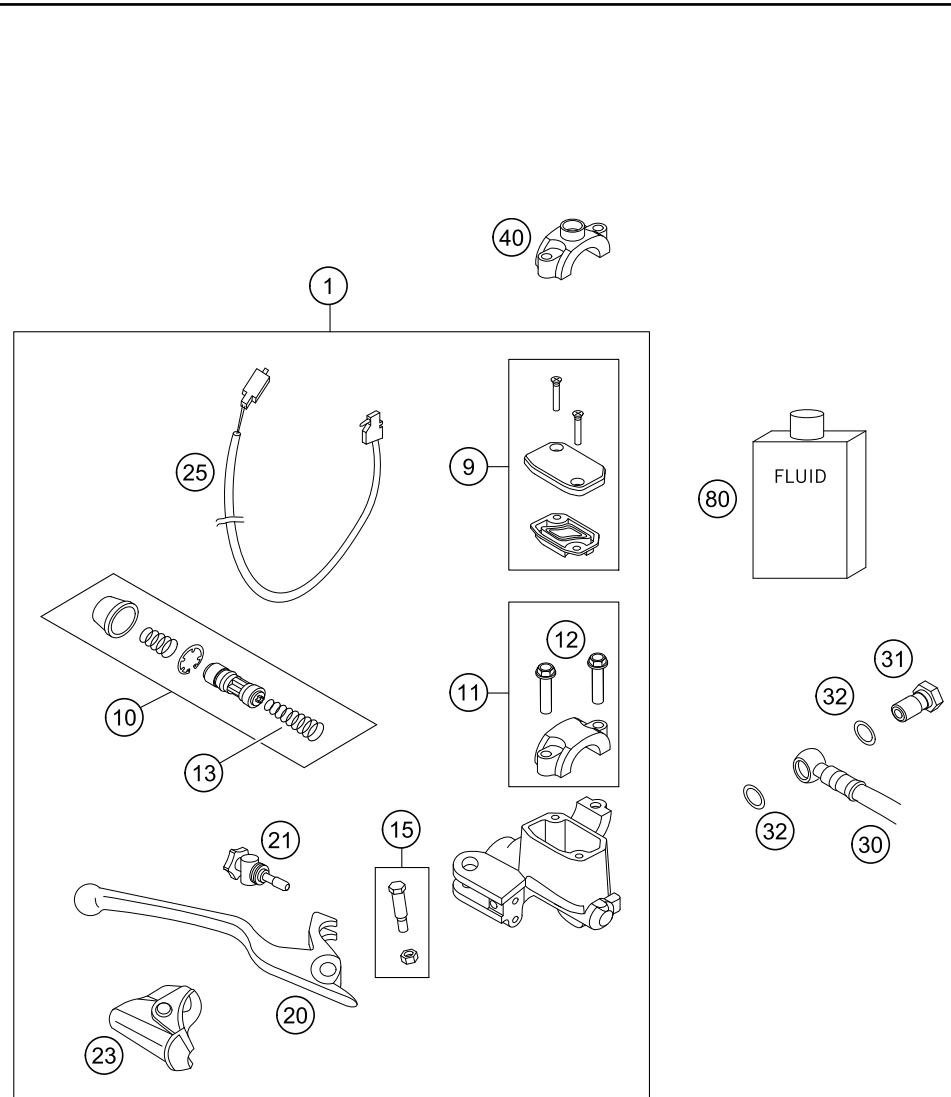
157641130

C157641130

\* NEW PART X ON DEMAND

# HAND BRAKE CYLINDER

# 450 RALLY FACTORY REPLICA 2016



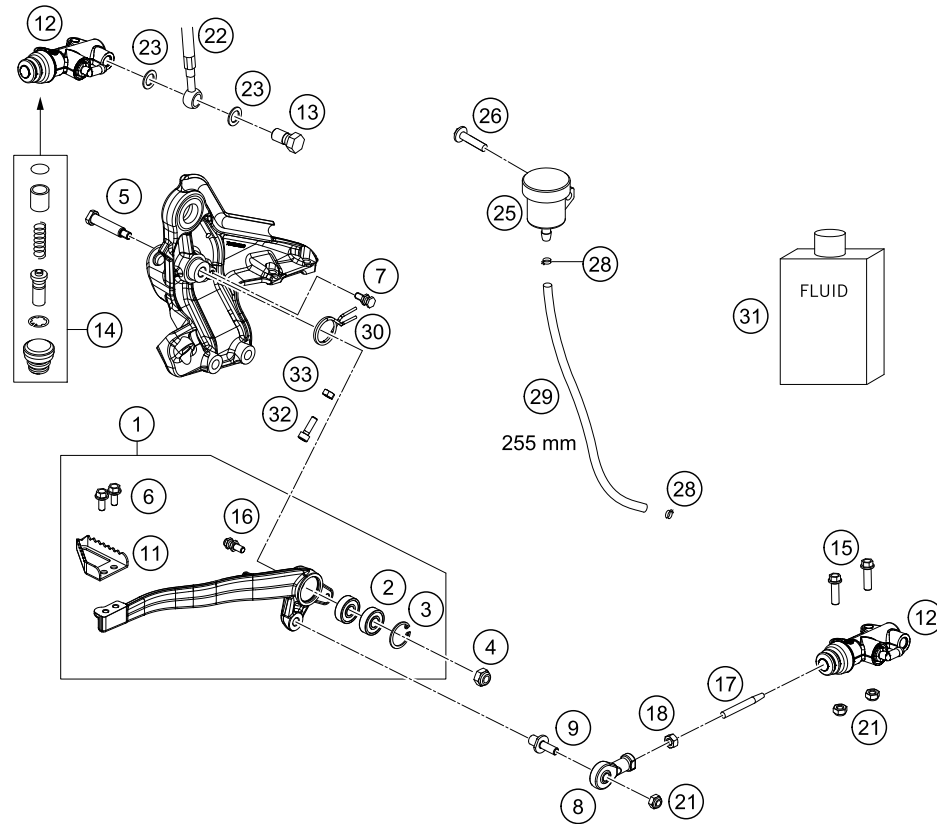
POS	PARTNUMBER	PARTNAME	PIECE
1	50313001200	HANDBRAKE CYL. NAT. SMALL 2004	1
9	50313003000	HANDBRAKE CYL. COVER CPL. NATURE	1
10	50313008300	REP.SET PISTON D=11 EXC 2001	1
11	50313005000	CLAMP CPL. NATURE	x
12	0025060256	HH COLLAR SCREW M6X25 TX30	2
13	50213050050	SPRING PISTON BRAKE FRONT 11MM	1
15	50313006100	LEVER SCREW CPL. 2001	1
20	50313002100	HANDBRAKE LEVER SHORT 2001	1
20	50313002000	HANDBRAKE LEVER 18MM 2000	x
21	50313007000	ADJUSTING SCREW CPL. SX 2000	1
23	50313004000	PROTECTION CAP HAND BRAKE CYL.	1
25	50311050100	BRAKE LIGHT SWITCH FRONT 2002	1
30	76213011000	BRAKE HOSE FRONT 1300MM	1
31	54813020100	HOLLOW SCREW BLACK M10X1X19	1
32	0603100141	COPPER GASKET DIN7603-10X14X1	2
40	58012040150	CLAMP FOR MIRROR '94	1
80	00062030000	BRAKE FLUID DOT5.1 0,25L	1

157641310

C157641310

\* NEW PART

X ON DEMAND



POS	PARTNUMBER	PARTNAME	PIECE
1	76413150044	FOOT BRAKE LEVER CPL.	1
2	0625006087	GROOVED BALL BEAR. 608 2RS C3	2
3	0472022100	CIRCLIP DIN0472-22X1	1
4	56509064100	SELF LOCKING NUT M6 10.9	1
5	76413050030	BOLT	1
6	0015050123	HH COLLAR SCREW M 5X12 WS=8	2
7	76413050010	ARRESTOR	1
8	54603069000	SWIVEL HEAD M6 FOOT BRAKE LEV.	1
9	76413050020	THREADED BOLT	1
11	76213051010	BRAKE LEVER PEDAL LARGE RALLY	1
12	76213060000	FOOT BRAKE CYLINDER REAR	1
13	54813020100	HOLLOW SCREW BLACK M10X1X19	1
14	54513150000	REPAIR KIT PISTON 13MM	1
15	0025060256	HH COLLAR SCREW M6X25 TX30	2
16	76413050110	STOP PIN	1
17	76203068000	PUSH ROD MAIN BRAKE CYLINDER	1
18	0934060003	HEXAGON NUT DIN0934-M 6	1
21	0985060003	SELF LOCK. NUT DIN0985-M 6	3
22	76213070000	BRAKE HOSE REAR	1
23	0603100141	COPPER GASKET DIN7603-10X14X1	2
24	0125060003	WASHER DIN0125-A 6,4	4
25	54513030044	BRAKE FLUID RESERVOIR '89	1
26	0024060106	HH COLLAR SCREW M6X10 TX30	2
28	58007017000	YDNAC CLAMP 10101 (10,4MM)	2
29	76213061000	HOSE FOR BRAKE FLUID RESERVOIR	1
30	61234014000	RETURNSPRING 2MM	1
31	00062030000	BRAKE FLUID DOT5.1 0,25L	1
32	0025050256	HH COLLAR SCREW M5X25 ISA30	1
33	0934050003	HEXAGON NUT DIN0934-M 5	1

157641330

C157641330

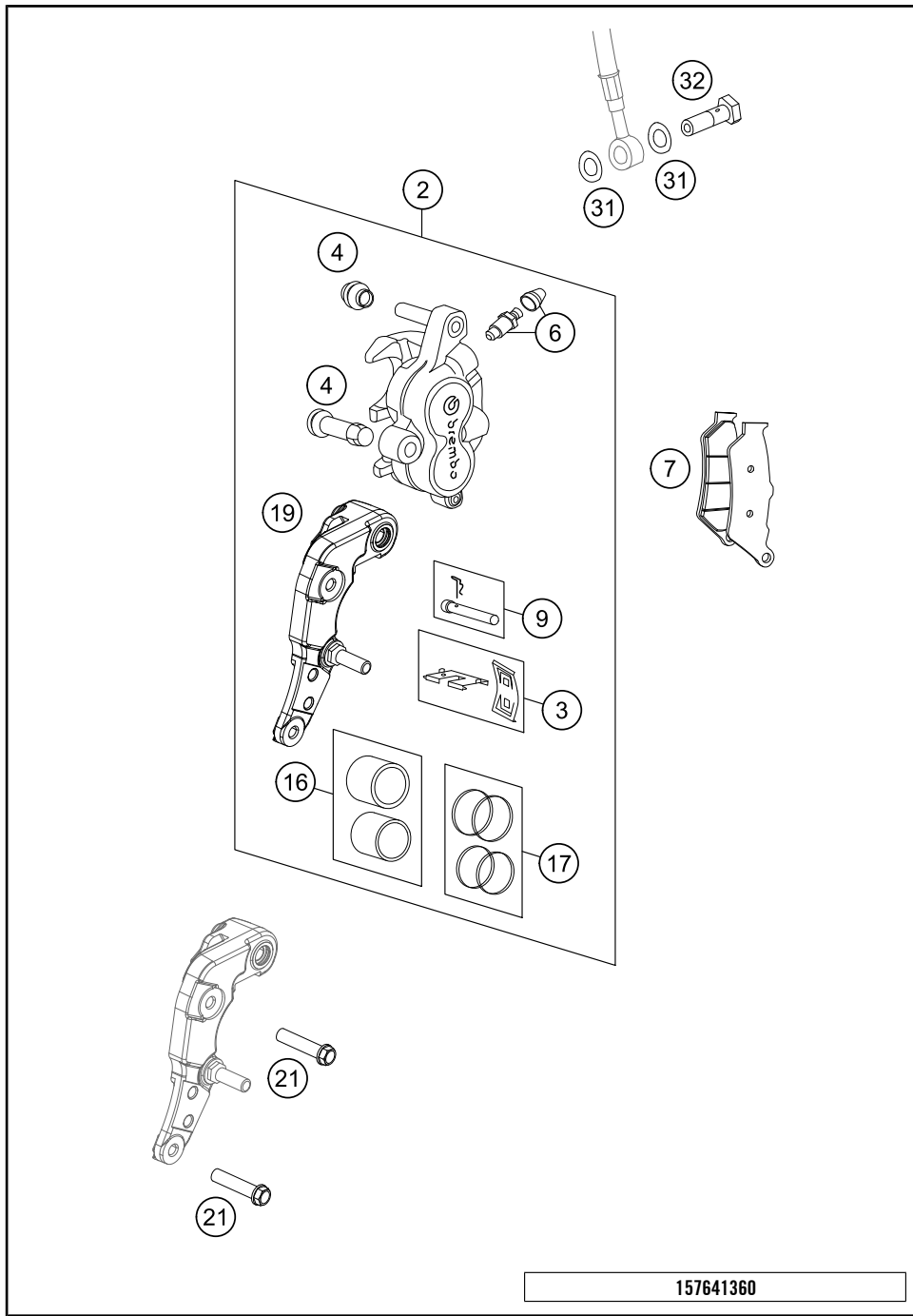
\* NEW PART

X ON DEMAND



# BRAKE CALIPER FRONT

# 450 RALLY FACTORY REPLICA 2016



POS	PARTNUMBER	PARTNAME	PIECE
2	7621301500101	BRAKE CAL. FR. - WITHOUT PADS	1
3	60013018000	RETAINING PLATE SET FRONT 03	1
4	54613218000	CUP SET SHORT	1
6	60013020000	BLEEDER SCREW WITH CAP	1
7	60013030000	BRAKE PADS TOSHIBA TT 2172 HHA	1
9	60013017000	BOLT SET L/S	1
16	60013083000	BRAKE PISTONS 30/32MM	2
17	60013019000	REP.KIT SEALING RINGS 30/32MM	2
19	76213049000	BRAKE CALIPER SUPPORT FR. L/S	1
21	0025080356	HH COLLAR SCREW M8X35 TX40	2
31	0603100141	COPPER GASKET DIN7603-10X14X1	1
32	54813020100	HOLLOW SCREW BLACK M10X1X19	1

157641360

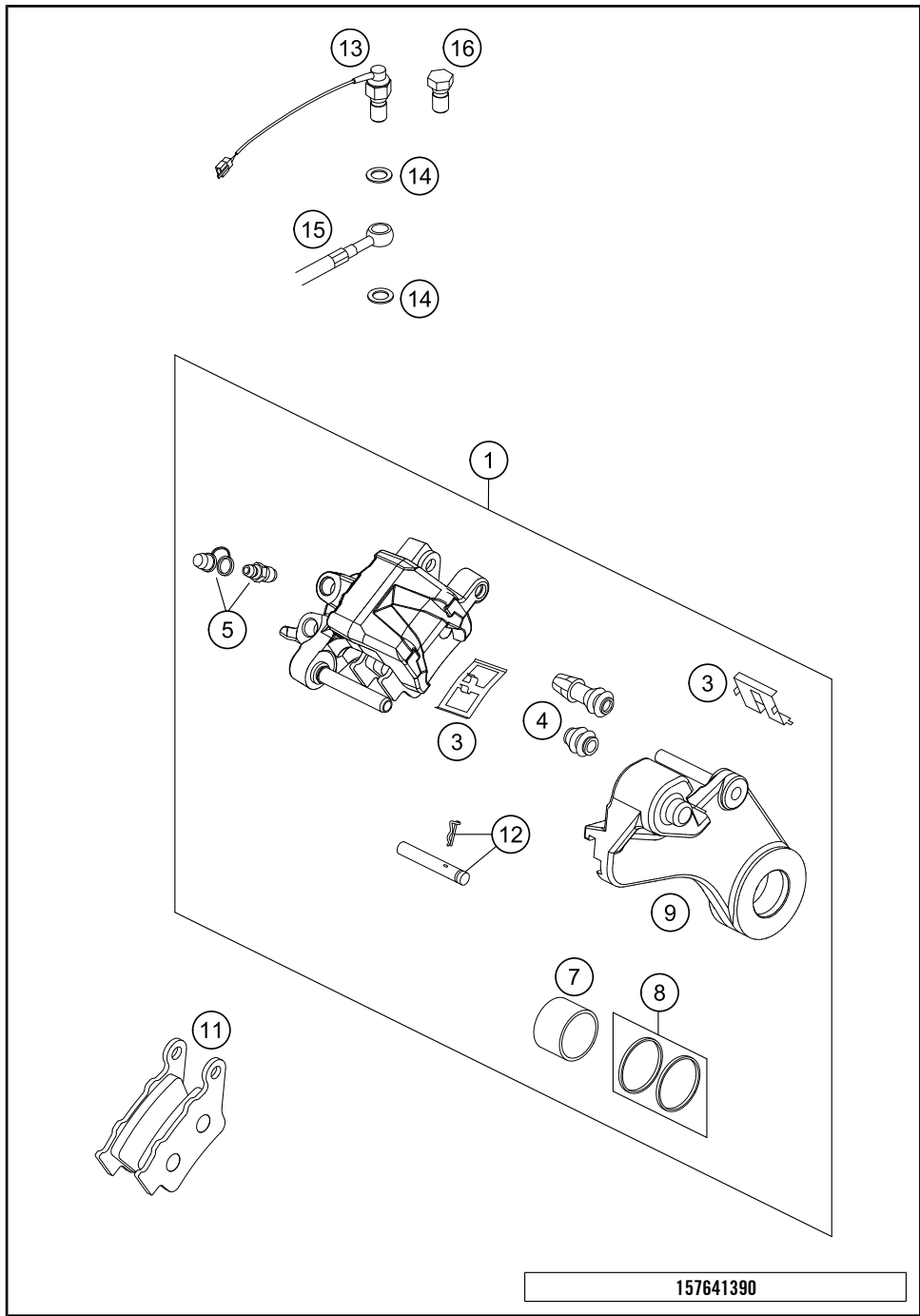
C157641360

\* NEW PART

X ON DEMAND

# BRAKE CALIPER REAR

# 450 RALLY FACTORY REPLICA 2016

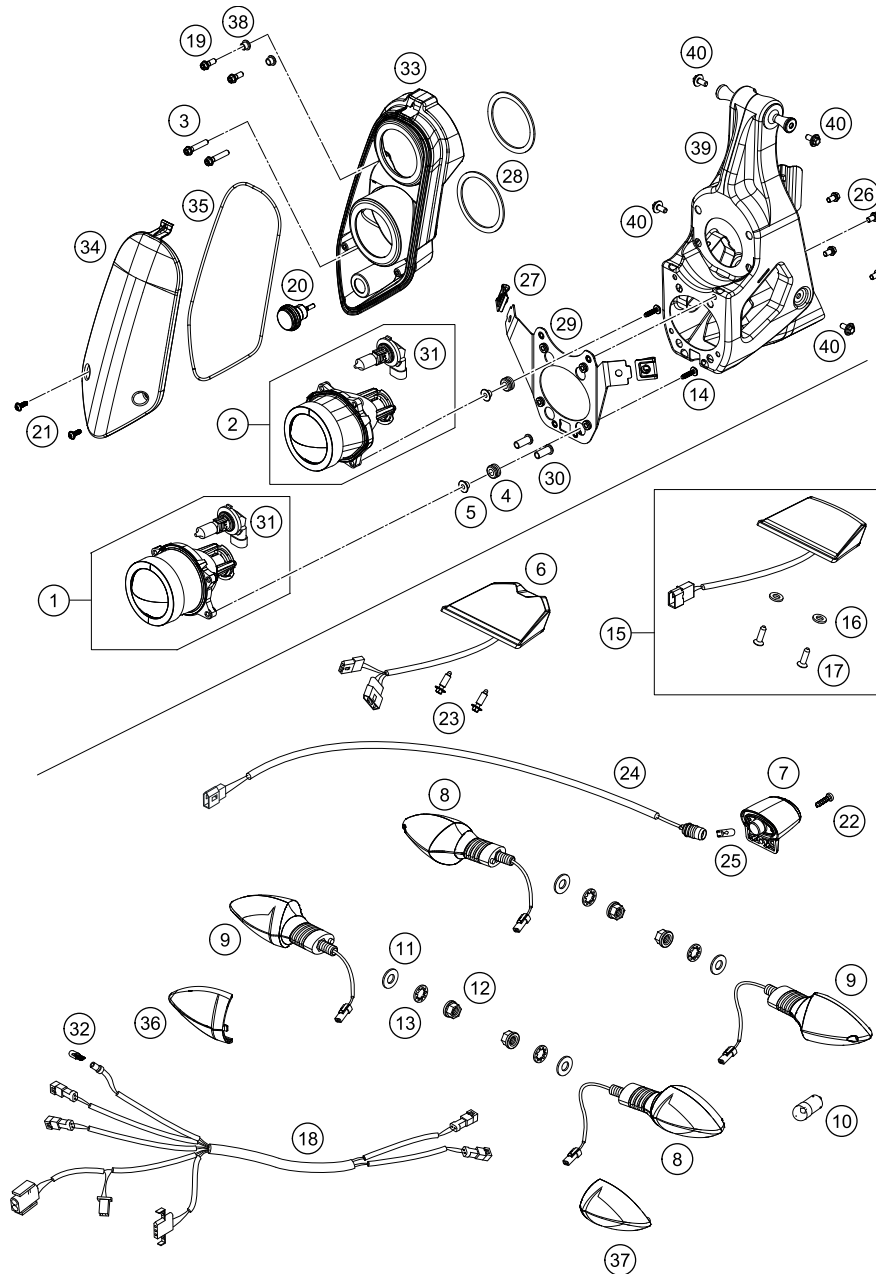


POS	PARTNUMBER	PARTNAME	PIECE
1	7651308000101	BRAKE CALIPER - WITHOUT PADS	1
3	54613311200	RETAINING SPRING SET	1
4	54613218000	CUP SET SHORT	1
5	61013020200	BLEEDER SCREW WITH CAP	1
7	50313083000	BRAKE PISTON 32MM	1
8	50313081000	REPAIR KIT SEALING RINGS 32MM	1
9	76513075000	BRAKE CALIPER SUPPORT REAR 08	1
11	54613309200	BRAKE PAD SET FERIT ID450FF	1
12	61013082000	BOLT SET 05	1
13	58511051100	BRAKE LIGHT SWITCH LONG	1
14	0603100141	COPPER GASKET DIN7603-10X14X1	2
15	76213070000	BRAKE HOSE REAR	1
16	54813020100	HOLLOW SCREW BLACK M10X1X19	x

C157641390

\* NEW PART

X ON DEMAND



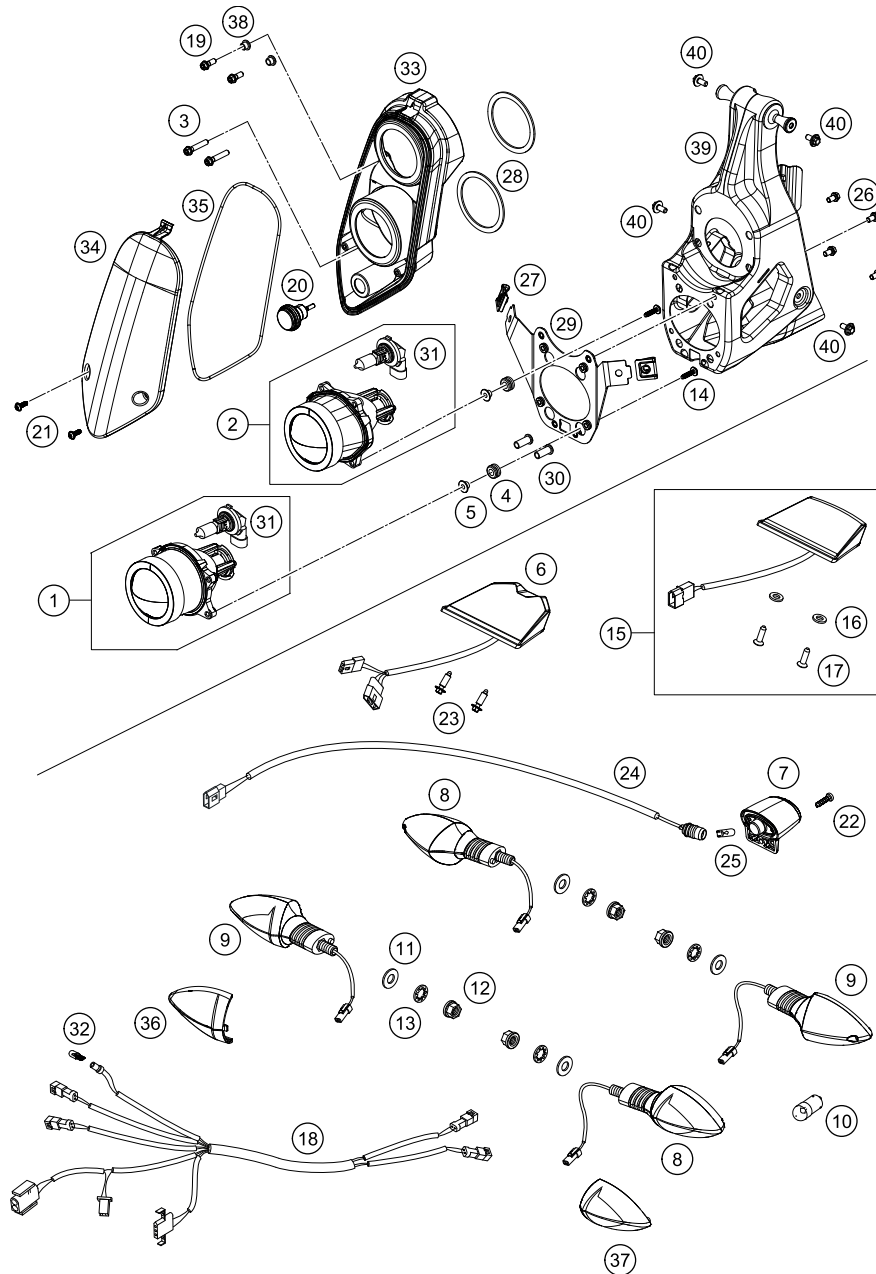
157641410

POS	PARTNUMBER	PARTNAME	PIECE
1	76414001000	HEADLIGHT HIGH BEAM	1
2	76214002000	HEADLIGHT LOW BEAM 07	1
3	0025060306	HH COLLAR SCREW M6X30 TX30	2
4	31008060000	RUBBER SLEEVE D=8MM OPEN	8
5	76408001004	BUSHING	8
6	76514040000	REAR LIGHT	1
7	75014047000	LICENSE PLATE ILLUMINATION 07	1
8	78114025000	FLASHER CPL.FRONT L/S REAR R/S	2
9	78114026000	FLASHER CPL.FRONT R/S REAR L/S	2
10	60114027000	BULB 12V ORANGE (RY10W)	4
11	0125100003	WASHER DIN0125-A10,5	4
12	58414030000	HH COLLAR NUT M10X1,25 WS=13	4
13	0797100003	LOCK WASHER DIN6797-J10,5 ZI	4
14	76414003002	EJOMAT PT SCREW 50X20	8
15	76314040044	ADDITIONAL REAR LIGHT CPL.	1
16	77332036004	WASHER 5,3X12X0,5	2
17	0985050103	OVAL HEAD SCR. DIN7985-M 5X10	2
18	76411080000	WIRING HARNESS FLASHER	1
19	0025060126	HH COLLAR SCREW M6X12 TX30	2
20	76414004000	POSITION LIGHT	1
21	0081050141	EJOT PT SCREW 50X14 WN 1451	2
22	0081250181	SCREW FOR PLASTIC 50X18 T20	1
23	0017060205	SCREW FOR PLASTIC K60X20 SW6	2
24	76511078000	WIRING HARN. LIC. PLATE ILLUM.	1
25	49011435100	BULB 12V 5W (W2,1X9,5D) PHIL.	2
26	0025060106	HH COLLAR SCREW M6X10 TX30	4
27	45007040052	CLIP	2
28	76408001005	CELLULAR RUBBER	2
29	76408004010	FRONTLIGHT MASK HOLDER ASSY	1
30	76408001003	BUSH	2
31	76414003001	BULB HB3	2
32	49111425200	BULB 12V 2,3W (W2X4,6D)	1
33	76408001000	FRONTLIGHT MASK	1
34	76412079000	STONE GUARD	1
35	69006001060	GASKET F. AIRBOX	1
36	78114028000	FLASHER LENS L/S R/S TRANSP.	2
37	78114027000	FLASHER LENS FRO.L/S-REAR R/S	2
38	76408001002	SLEEVE	2

C157641410

\* NEW PART

X ON DEMAND

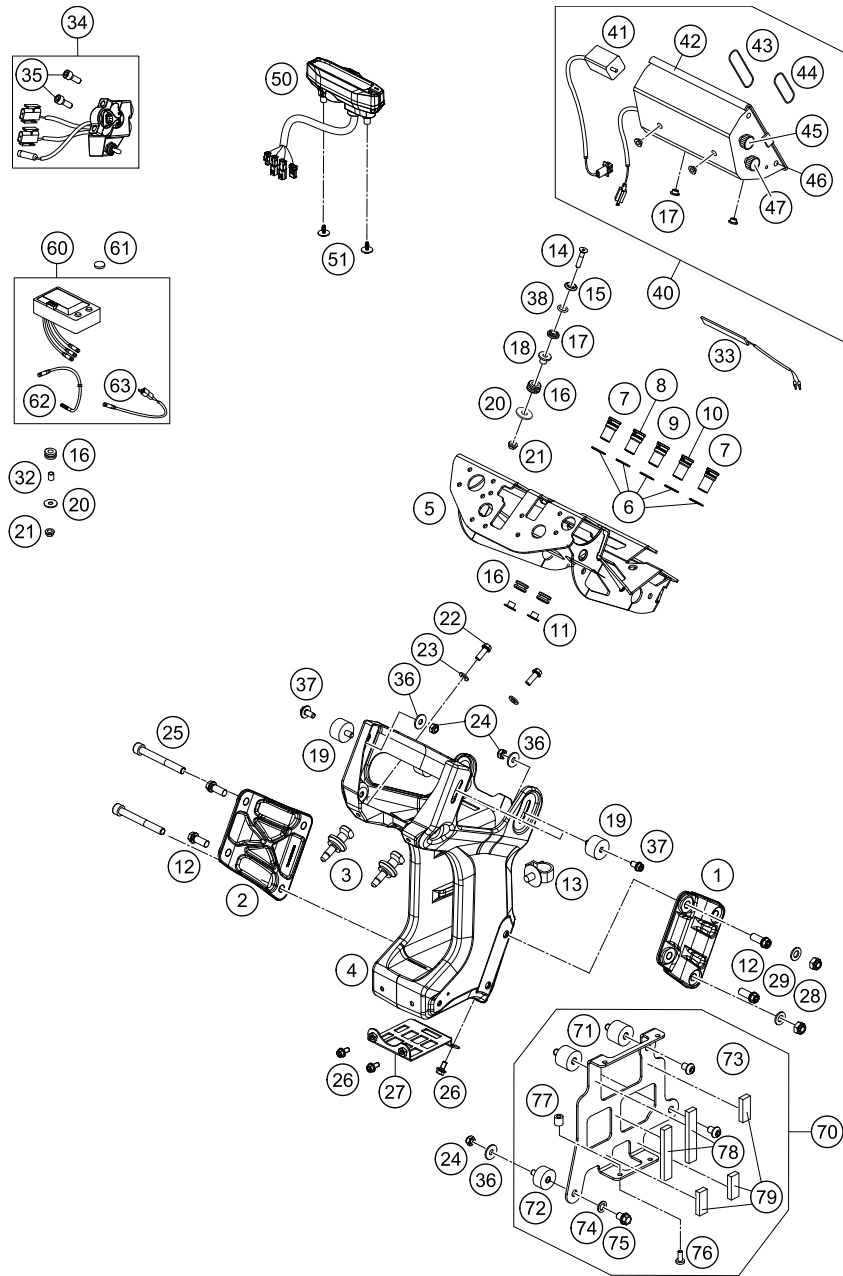


POS	PARTNUMBER	PARTNAME	PIECE
39	76408003000	LIGHT SUPPORT STRUCTURE ASSY	1
40	0024060136	HH COLLAR SCREW M6X13 TX30	4

157641410

C157641410

\* NEW PART X ON DEMAND



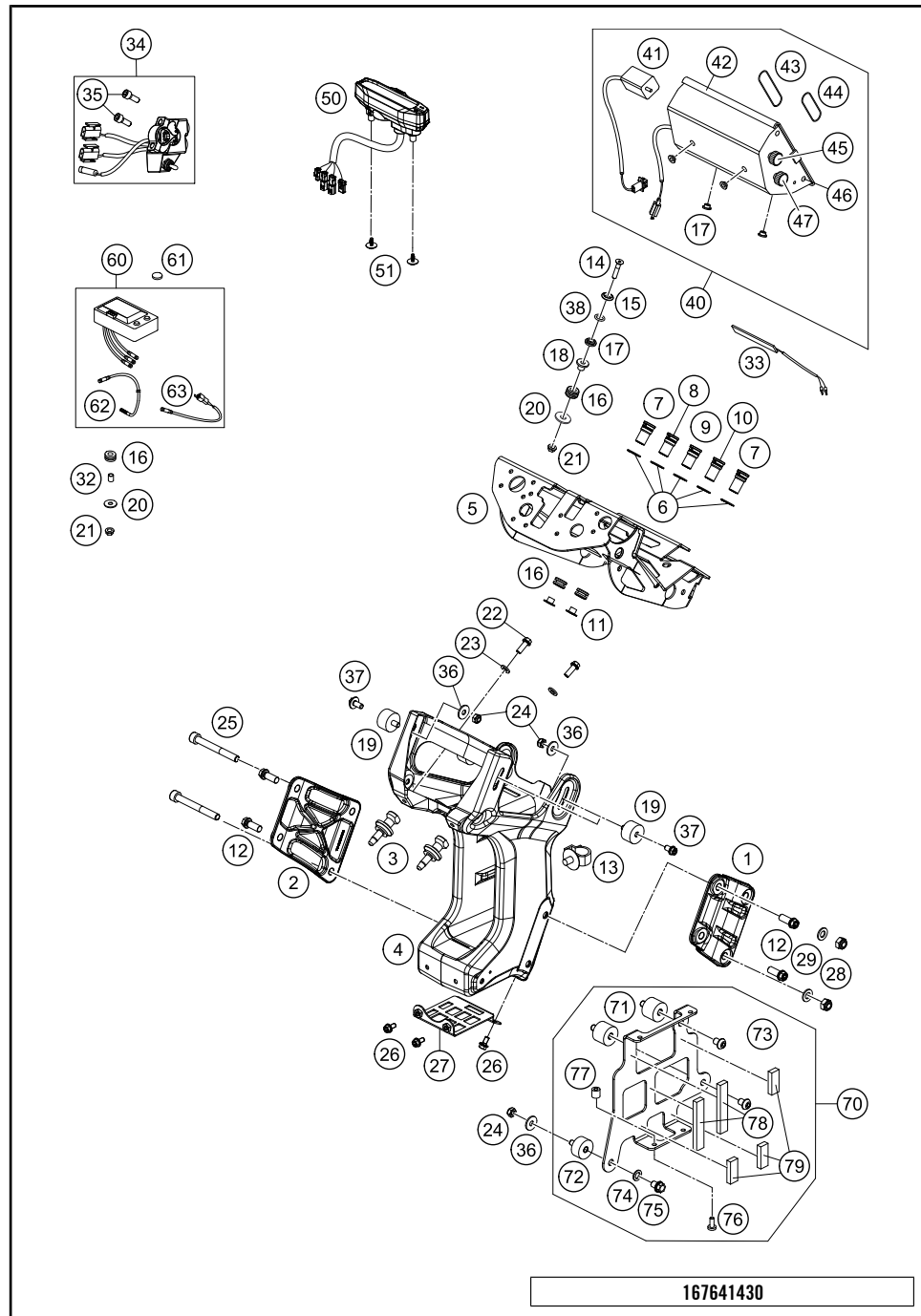
167641430

POS	PARTNUMBER	PARTNAME	PIECE
1	76412098190	ATTACHMENT FOR NAVI SUPP. L/S	1
2	76412098180	ATTACHMENT FOR NAVI SUPP. R/S	1
3	76412098043	POSITION PIN	2
4	76412098040	ROADBOOK SUPPORT	1
5	76412091000	ROAD BOOK CARRIER CPL.	1
6	0471140100	LOCK WASHER DINO471-14X1	5
7	81214086000	INDICATOR LIGHT RESERVE	2
8	58011021300	H.BEAM INDICATOR LIGHT BLUE'98	1
9	81214083000	INDICATOR LIGHT LED YELLOW FI	1
10	58011025000	OIL INDICATOR LIGHT RED	1
11	76408001004	BUSHING	2
12	0025080206	HH COLLAR SCREW M8X20 TX40	4
13	58111076000	CABLE SUPPORT KHS NR.150-47610	1
14	0991050253	FLAT HEAD SCREW DIN7991-M 5X25	4
15	40006006000	WASHER 6MM	4
16	31008060000	RUBBER SLEEVE D=8MM OPEN	8
17	50213161000	COLLAR BUSHING	7
18	76412091043	BUSHING	4
19	76212092031	RUB. GROM. 25X15XTYP B CPL.	4
20	0021050003	WASHER DIN9021-A 5,3	6
21	0985050003	SELF LOCKING NUT DIN0985-M 5	6
22	0025060166	HH COLLAR SCREW M6X16 TX30	2
23	0125060003	WASHER DIN0125-A 6,4	2
24	0985060003	SELF LOCK. NUT DIN0985-M 6	5
25	0912080706	CYL-SCREW DIN 912-M8X70	2
26	0025050106	COLLAR SCREW M5X10 ISA30	4
27	76412098050	PLUG BOARD ZSB	1
28	0985080003	SELF LOCKING NUT DIN0985-M 8	2
29	0125080003	WASHER DIN0125-A 8,4	2
32	58011039000	SPACER BUSHING 6,5 X 8 X 7	2
33	76212098000	LIGHT DIODE CPL.RALLYE	1
34	76412175044	ROADBOOK SWITCH CPL.	1
35	0912060163	AH SCREW DIN0912-M 6X16	4
36	0021060003	WASHER DIN9021-A 6,4	5
37	0024060106	HH COLLAR SCREW M6X10 TX30	4
38	0770090021	O-RING 9X2 VITON	4
40	76212098044	ROADBOOK CPL. 2008	1
41	58512074044	ROADBOOK ENGINE CPL. 03	1

C167641430

\* NEW PART

X ON DEMAND



167641430

POS	PARTNUMBER	PARTNAME	PIECE
42	58512074020	PLASTIC COVER FOR ROADBOOK 03	1
43	58512074070	O-RING FOR ROADBOOK LONG 03	1
44	58512074060	O-RING FOR ROADBOOK SHORT 03	1
45	58512074030	ALU-BUTTON TOP FOR ROADBOOK 03	1
46	58512074050	PLASTIC BUSHING F. ROADBOOK 03	7
47	58512074040	ALU-BUTTON BASE F. ROADBOOK 03	1
50	77714069400	TACHO DIGITAL KM/H F. 21"	1
51	0081645121	EJOT DELTA PT SCREW 45X12-Z	2
60	76412085000	TRIPMASTER	1
61	58512085160	BATTERY FOR ICO TRIPMASTER 04	2
62	76412085010	WHEEL SENSOR TRIPMASTER RNS	1
63	76412085020	ELECTRIC CABLE TRIPMASTER RNS	1
70	76412084033M01	EMERGENCY SENDER CPL.	1
71	43205062100	RUBBER GROMMET 20X15-M6X10 (1)	2
72	76412084006M01	RUBBER GROMMET 20X10-M6X10	1
73	0902060083	AH OVAL SCREW ISO 7380 M 6X8	2
74	50233041000	PAIR OF WASHERS M 6 NORDLOCK	1
75	0015060083	HH COLLAR SCREW M 6X8 WS=8	1
76	07985040103	FLAT HEAD SCREW DIN7985 M4X10	2
77	76412084002M01	SLEEVE EMERGENCY SENDER	2
78	76412084003M01	FOAM RUBBER 55MM	2
79	76412084004M01	FOAM RUBBER 27MM	3

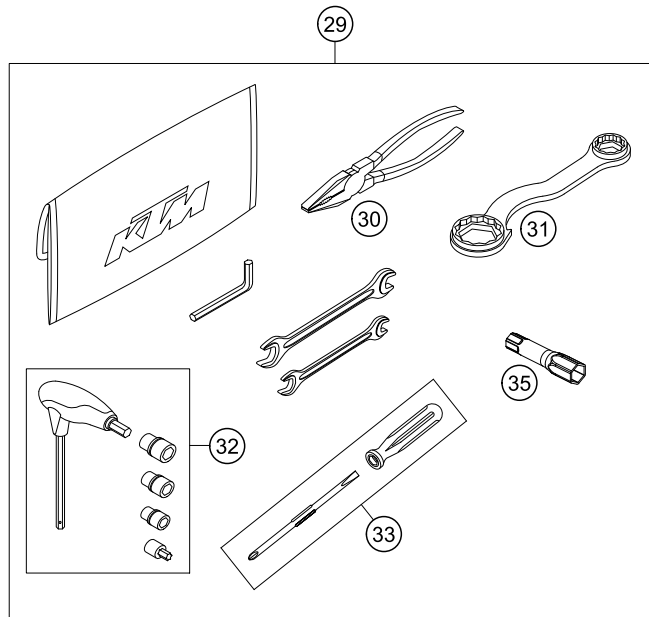
C167641430

\* NEW PART

X ON DEMAND

0  
OHNE ABBILDUNG  
WITHOUT ILLUSTRATION

1  
TECHNISCHE DOKUMENTATION  
TECHNICAL DOCUMENTATION  
DOCUMENTACION TECNICA  
DOCUMENTATION TECHNIQUE  
NOTE TECNICHE



157642000

POS	PARTNUMBER	PARTNAME	PIECE
0	58412040100	REAR MIRROR L/S+R/S LC4 2001	2
0	76408099000	DECALSET	1
0	312305	DOCUMENTS BAG 2006	1
0	312313	KTM BALLPOINT PEN ORANGE	1
0	3210039	* CUSTOMER WELCOME LETTER	1
0	0024060156	HH COLLAR SCREW M6X15 TX30	4
0	0024060206	HH COLLAR SCREW M6X20 TX30	4
0	0985050003	SELF LOCKING NUT DIN0985-M 5	4
0	0985060003	SELF LOCK. NUT DIN0985-M 6	4
0	0125060003	WASHER DIN0125-A 6,4	4
0	81212016000	% WASH CAP SET	1
0	0017060205	SCREW FOR PLASTIC K60X20 SW6	4
0	50311029000	FLASHER SWITCH CEV '98	1
0	13011070060	ADAPTER FOR FLASHER SWITCH '98	1
0	0084040223	CYL.HEAD SCREW DIN0084-M 4X22A	2
0	54808020000	SPACER BUSHING 03	4
0	76508016050	NUMBER PLATE LO. PART 08	1
0	77005009033	CATALYST WELDED EXC 08	1
0	78114026000	FLASHER CPL.FRONT R/S REAR L/S	2
0	78114025000	FLASHER CPL.FRONT L/S REAR R/S	2
0	58414030000	HH COLLAR NUT M10X1,25 WS=13	4
0	0797100003	LOCK WASHER DIN6797-J10,5 ZI	4
0	0125100003	WASHER DIN0125-A10,5	4
0	44611207200	FLASHER UNIT 97	1
0	76411080000	WIRING HARNESS FLASHER	1
0	62512081000	BRACKET SIDE REFLECTOR 06	1
0	16512180100	SIDE REFLECTOR RED REAR	2
0	40006006000	WASHER 6MM	2
0	0125050003	WASHER DIN0125-A 5,3	2
0	58412080000	REFLECTOR RED	1
0	58412080050	BRACKET FOR REFLECTOR	1
0	60012081200	LICENCE FITTING 06	1
0	49111425200	BULB 12V 2,3W (W2X4,6D)	2
0	0934040003	HEXAGON NUT DIN0934-M 4	2
0	0081050121	SCREW FOR PLASTIC K50X12 T20	2
0	77714069200	% SPEEDOMETER	1
0	58214069051	RUBBER GROMMET 16X10,8X3 02	2
0	75014047000	LICENSE PLATE ILLUMINATION 07	1

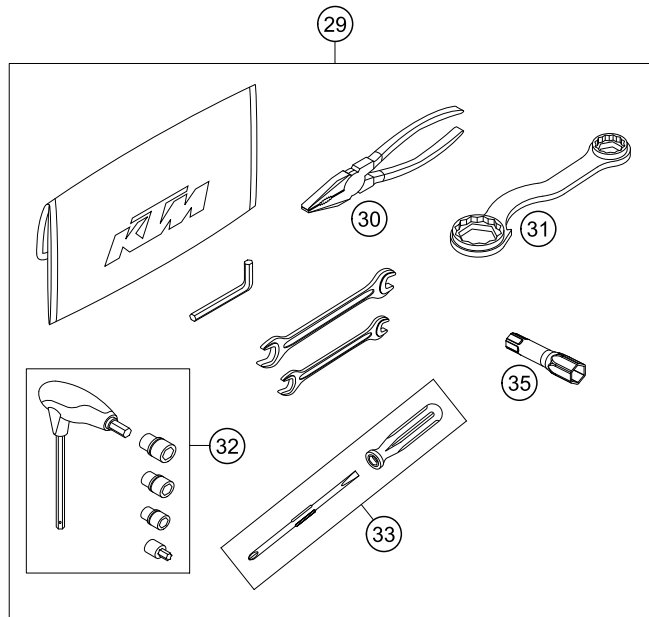
C167642000

\* NEW PART

X ON DEMAND

0  
OHNE ABBILDUNG  
WITHOUT ILLUSTRATION

1  
TECHNISCHE DOKUMENTATION  
TECHNICAL DOCUMENTATION  
DOCUMENTACION TECNICA  
DOCUMENTATION TECHNIQUE  
NOTE TECNICHE



POS	PARTNUMBER	PARTNAME	PIECE
0	0081250181	SCREW FOR PLASTIC 50X18 T20	1
0	76511078000	WIRING HARN. LIC. PLATE ILLUM.	1
0	49011435100	BULB 12V 5W (W2,1X9,5D) PHIL.	2
0	0966050163	OVAL HEAD SCREW DIN0966-M 5X16	4
0	0985040163	FLAT HEAD SCREW DIN7985-M 4X16	2
0	7730821000028	FRONT FENDER WHITE	1
0	77308010099	MOUNTING KIT FRONT FENDER	1
0	5900109410028	FORK PROTECT. L/S+R/S WHITE 12	1
0	59001092050	SPECIAL SCREW M6X12,5 WS=8	8
1	3213343EN	OWN.MAN. 450 RALLY REPLICA 16	1
29	76429099000	TOOL SET RALLY	1
30	53012028200	GRIP ORANGE B&F	1
31	50329080100	WRENCH SW=17/21/27/32 B&F	1
32	60029070300	T-WRENCH WS=6/8/10/TX45/SK4X1	1
33	53012024100	SCREW DRIVER L=105MM	1
35	78029072000	SPARK PLUG SOCKET	1

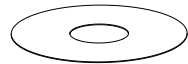
157642000

C167642000

\* NEW PART

X ON DEMAND





3H, DELTA, T

- ⑤ Ø 5 mm
- ⑥ Ø 6 mm
- ⑧ Ø 8 mm
- ⑩ Ø 10 mm
- ⑫ Ø 12 mm
- ⑭ Ø 14-14,5 mm
- ⑯ Ø 16 mm
- ⑳ Ø 20 mm
- ㉑ Ø 21 mm
- ㉒ Ø 22 mm
- ㉓ Ø 23 mm
- ㉔ Ø 24,5 mm
- ㉘ Ø 28,5 mm
- ㉚ Ø 32 mm
- ㉜ Ø 52 mm

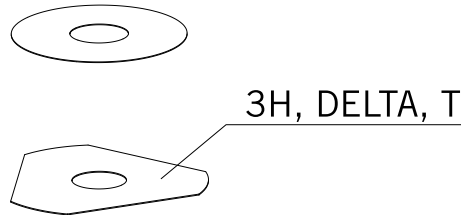
POS	PARTNUMBER	PARTNAME	PIECE
5	44906890	WASHER 5X15X2	X
6	40540400	SHIM 6X12X0,1	X
6	40540401	SHIM 6X14X0,1	X
6	40540402	SHIM 6X16X0,1	X
6	40540403	SHIM 6X18X0,1	X
6	40540404	SHIM 6X12X0,15	X
6	40540405	SHIM 6X14X0,15	X
6	40540406	SHIM 6X16X0,15	X
6	40540407	SHIM 6X18X0,15	X
6	40540408	SHIM 6X12X0,2	X
6	40540409	SHIM 6X14X0,2	X
6	40540410	SHIM 6X16X0,2	X
6	40540411	SHIM 6X18X0,2	X
6	48600095	* SHIM 6X20X0,20	X
6	40540412	SHIM 6X12X0,25	X
6	40540413	SHIM 6X14X0,25	X
6	40540414	SHIM 6X16X0,25	X
6	40540415	SHIM 6X18X0,25	X
6	40540417	SHIM 6X8,5X0,10	X
6	40540418	SHIM 6X9X0,10	X
6	40540419	SHIM 6X9,5X0,10	X
6	40540423	SHIM 6X9,5X0,15	X
6	40540425	SHIM 6X8,5X0,20	X
6	40540426	SHIM 6X9X0,20	X
6	40540427	SHIM 6X9,5X0,20	X
6	40540447	SHIM 6X10X0,3	X
6	40540449	SHIM 6X9X0,3	X
6	40540450	SHIM 6X9,5X0,3	X
6	40540494	SHIM 6X18X0,4	X
6	40540774	SHIM 6X18X0,1 DELTA	X
6	40541383	SHIM 6X11X0,1	X
6	40541391	SHIM 6X11X0,3	X
6	40541402	SHIM 6X11X0,2	X
6	40541403	SHIM 6X10X0,20	X
6	40541404	SHIM 6X10X0,1	X
6	40541405	SHIM 6X10X0,15	X
6	40541406	SHIM 6X11X0,15	X
6	40541408	SHIM 6X8,0X0,30	X

080000190

C130009090

\* NEW PART

X ON DEMAND



- ⑤ Ø 5 mm
- ⑥ Ø 6 mm
- ⑧ Ø 8 mm
- ⑩ Ø 10 mm
- ⑫ Ø 12 mm
- ⑭ Ø 14-14,5 mm
- ⑯ Ø 16 mm
- ⑳ Ø 20 mm
- ㉑ Ø 21 mm
- ㉒ Ø 22 mm
- ㉓ Ø 23 mm
- ㉔ Ø 24,5 mm
- ㉘ Ø 28,5 mm
- ㉚ Ø 32 mm
- ㉜ Ø 52 mm

POS	PARTNUMBER	PARTNAME	PIECE
6	40541414	SHIM 6X8,0X0,10	X
6	40541416	SHIM 6X8X0,3	X
6	40541417	SHIM 6X11X0,25	X
6	48600102	* SHIM 6X24X0,25	X
6	48600063	SHIM 6X24X0,1	X
6	48600064	SHIM 6X22X0,1	X
6	48600065	SHIM 6X20X0,1	X
6	48600069	SHIM 6X20X0,15	X
6	48600100	SHIM 6X24X0,15	X
6	48600116	SHIM 6X24X0,1 DELTA	X
6	48600139	SHIM 6X22X0,1 DELTA	X
6	48600217	BACKPLATE 6X10X0,25	X
6	48600325	SHIM 6X13X0,1	X
6	48600327	SHIM 6X15X0,1	X
6	48600329	SHIM 6X17X0,1	X
6	48600331	SHIM 6X19X0,1	X
6	48600096	* SHIM 6X20X0,25	X
6	48600097	SHIM 6X22X0,15	X
6	48600099	* SHIM 6X22X0,25	X
6	40540448	BACKPLATE 6X8,5X0,30	X
6	48600479	SHIM 6X20X0,1 T/3H	X
6	48600332	SHIM 6X21X0,1	X
6	48600333	SHIM 6X23X0,1	X
6	40541393	* SHIM 6X12X0,3	X
6	48600330	SHIM 6X17X0,15	X
6	48600988	SHIM 6X28X0,10	X
6	48600989	SHIM 6X26X0,10	X
6	48601091	SHIM 6X28X0,15	X
6	48601093	SHIM 6X26X0,15	X
6	48600328	SHIM 6X15X0,15	X
6	48600326	SHIM 6X13X0,15	X
6	48601548	SHIM 6X17X1,5	X
6	48601693	SHIM 6X18X3	X
6	48600098	* SHIM 6X22X0,20	X
6	48601300	WASHER 6X25X1,5	X
6	48601692	SHIM 6X30X0,15	X
6	48601550	SHIM 6X30X0,10	X
8	40540477	SHIM 8X18X0,4	X

080000190

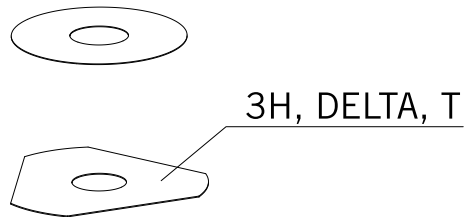
C130009090

\* NEW PART

X ON DEMAND



- ⑤ Ø 5 mm
- ⑥ Ø 6 mm
- ⑧ Ø 8 mm
- ⑩ Ø 10 mm
- ⑫ Ø 12 mm
- ⑭ Ø 14-14,5 mm
- ⑯ Ø 16 mm
- ⑳ Ø 20 mm
- ㉑ Ø 21 mm
- ㉒ Ø 22 mm
- ㉓ Ø 23 mm
- ㉔ Ø 24,5 mm
- ㉘ Ø 28,5 mm
- ㉚ Ø 32 mm
- ㉜ Ø 52 mm



POS	PARTNUMBER	PARTNAME	PIECE
8	43570120	SHIM 8X18X0,10	X
8	44916098	WASHER 8,4X16X0,8	X
8	44916130	WASHER 8,2X15X1	X
8	44916180	WASHER 8,2X11X1	X
8	48600214	SHIM 8X16X0,1	X
8	48600385	SHIM 8x14x0.25	X
8	48600346	SHIM 8X11X0,2	X
8	48600215	CHECK VALVE 8X20X0,1	X
8	48600485	SHIM 8X10X0,10	X
8	48601402	SHIM 8X13X0,10	X
8	48600350	CHECK VALVE 8X16X0,15	X
8	48600061	CHECK VALVE 8X24X0,4	X
8	48600062	CHECK VALVE 8X24X0,1	X
8	48600216	CHECK VALVE 8X22X0,1	X
8	48600480	SHIM 8X10X0,20	X
8	48600555	SHIM 8X16X0,20	X
8	48600213	SHIM 8X14X0,10	X
8	48600357	CHECK VALVE 8X11X0,1	X
8	48600351	CHECK VALVE 8X12X0,1	X
8	48600607	Steering damper washer	X
8	48601095	SHIM 8X17X0,10	X
8	48600352	CHECK VALVE 8X11X0,4	X
10	36120284	SHIM 10X16X0,10	X
10	36120298	SHIM 10X16X0,2	X
10	36120312	SHIM 10X16X0,30	X
10	36120314	SHIM 10X18X0,30	X
10	36120325	SHIM 10X19X0,15	X
10	36120327	SHIM 10X23X0,15	X
10	36120328	SHIM 10X25X0,15	X
10	36120329	SHIM 10X27X0,15	X
10	36120330	SHIM 10X29X0,15	X
10	36120331	SHIM 10X31X0,15	X
10	36120332	SHIM 10X33X0,15	X
10	36120334	SHIM 10X21X0,20	X
10	36120335	SHIM 10X23X0,20	X
10	36120336	SHIM 10X25X0,20	X
10	36120337	SHIM 10X27X0,20	X
10	36120338	SHIM 10X29X0,20	X

080000190

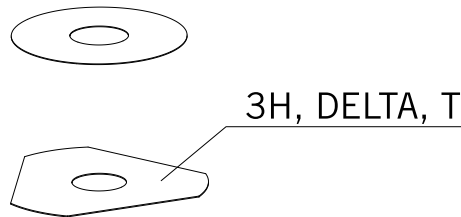
C130009090

\* NEW PART

X ON DEMAND



- ⑤ Ø 5 mm
- ⑥ Ø 6 mm
- ⑧ Ø 8 mm
- ⑩ Ø 10 mm
- ⑫ Ø 12 mm
- ⑭ Ø 14-14,5 mm
- ⑯ Ø 16 mm
- ⑳ Ø 20 mm
- ㉑ Ø 21 mm
- ㉒ Ø 22 mm
- ㉓ Ø 23 mm
- ㉔ Ø 24,5 mm
- ㉘ Ø 28,5 mm
- ㉚ Ø 32 mm
- ㉜ Ø 52 mm



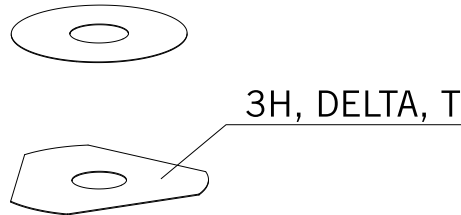
POS	PARTNUMBER	PARTNAME	PIECE
10	36120339	SHIM 10X31X0,20	X
10	36120340	SHIM 10X33X0,20	X
10	36120342	SHIM 10X21X0,25	X
10	36120343	SHIM 10X23X0,25	X
10	36120344	SHIM 10X25X0,25	X
10	36120345	SHIM 10X27X0,25	X
10	36120349	SHIM 10X19X0,30	X
10	36120350	SHIM 10X21X0,30	X
10	36120313	* SHIM 10X17X0,30	X
10	36120354	* SHIM 10X29X0,30	X
10	40140275	WASHER 10X35X0,15	X
10	48601708	SHIM 10X30X0,40	X
10	36120346	* SHIM 10X29X0,25	X
10	36120355	* SHIM 10X31X0,30	X
10	36120348	* SHIM 10X33X0,25	X
10	36120604	SHIM D10XD22X2,5	X
12	46810490	SHIM 12X24X0,20	X
12	46810491	SHIM 12X26X0,20	X
12	46810492	SHIM 12X28X0,20	X
12	46810493	SHIM 12X30X0,20	X
12	46810494	SHIM 12X32X0,20	X
12	46810495	SHIM 12X34X0,20	X
12	46810496	SHIM 12X36X0,20	X
12	46810497	SHIM 12X38X0,20	X
12	46810498	SHIM 12X40X0,20	X
12	46810499	SHIM 12X24X0,25	X
12	46810500	SHIM 12X26X0,25	X
12	46810501	SHIM 12X28X0,25	X
12	46810502	SHIM 12X30X0,25	X
12	46810504	SHIM 12X34X0,25	X
12	46810505	SHIM 12X36X0,25	X
12	46810507	SHIM 12X40X0,25	X
12	46810508	SHIM 12X24X0,30	X
12	46810509	SHIM 12X26X0,30	X
12	46810510	SHIM 12X28X0,30	X
12	46810512	SHIM 12X32X0,30	X
12	46810513	SHIM 12X34X0,30	X
12	46810518	SHIM 12X26X0,15	X

080000190

C130009090

\* NEW PART

X ON DEMAND



- ⑤ Ø 5 mm
- ⑥ Ø 6 mm
- ⑧ Ø 8 mm
- ⑩ Ø 10 mm
- ⑫ Ø 12 mm
- ⑭ Ø 14-14,5 mm
- ⑯ Ø 16 mm
- ⑳ Ø 20 mm
- ㉑ Ø 21 mm
- ㉒ Ø 22 mm
- ㉓ Ø 23 mm
- ㉔ Ø 24,5 mm
- ㉘ Ø 28,5 mm
- ㉚ Ø 32 mm
- ㉜ Ø 52 mm

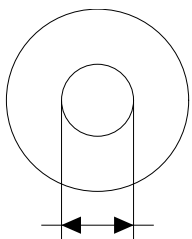
POS	PARTNUMBER	PARTNAME	PIECE
12	46810519	SHIM 12X28X0,15	X
12	46810520	SHIM 12X30X0,15	X
12	46810521	SHIM 12X32X0,15	X
12	46810522	SHIM 12X34X0,15	X
12	46810523	SHIM 12X36X0,15	X
12	46810524	SHIM 12X38X0,15	X
12	46810525	SHIM 12X40X0,15	X
12	46810604	SHIM 12X20X0,10	X
12	46810606	SHIM 12X22X0,10	X
12	46810607	SHIM 12X23X0,10	X
12	46810608	SHIM 12X24X0,10	X
12	46810610	SHIM 12X27X0,15	X
12	46810611	SHIM 12X18X0,15	X
12	46810612	SHIM 12X19X0,15	X
12	46810615	SHIM 12X22X0,15	X
12	46810636	BACKPLATE 12X16X0,30	X
12	46810637	BACKPLATE 12X17X0,30	X
12	46810638	BACKPLATE 12X18X0,30	X
12	46810639	SHIM 12X19X0,30	X
12	46810641	BACKPLATE 12X21X0,30	X
12	46811582	BACKPLATE 12X30X0,10	X
12	46810631	SHIM 12X20X0,25	X
12	46810633	SHIM 12X22X0,25	X
12	46811580	SHIM 12X32X0,10	X
12	46810503	SHIM 12X32X0,25	X
12	46810517	* SHIM 12X24X0,15	X
12	46810856	* SHIM 12X20X0,3 CC	X
12	46811258	RING 12X24X2,5	X
12	46812018	SHIM 12X42X0,25	X
12	46812015	SHIM 12X44X0,20	X
12	46810613	* SHIM 12X20X0,15	X
12	46810623	* SHIM 12X21X0,20	X
12	46810624	* SHIM 12X22X0,20	X
12	46810642	* SHIM 12X22X0,30	X
12	46810643	* SHIM 12X23X0,30	X
12	46811629	* SHIM 12X28X0,10	X
12	46810511	* SHIM 12X30X0,30	X
12	46810514	* SHIM 12X36X0,30	X

080000190

C130009090

\* NEW PART

X ON DEMAND



3H, DELTA, T

- ⑤ Ø 5 mm
- ⑥ Ø 6 mm
- ⑧ Ø 8 mm
- ⑩ Ø 10 mm
- ⑫ Ø 12 mm
- ⑭ Ø 14-14,5 mm
- ⑯ Ø 16 mm
- ⑳ Ø 20 mm
- ㉑ Ø 21 mm
- ㉒ Ø 22 mm
- ㉓ Ø 23 mm
- ㉔ Ø 24,5 mm
- ㉘ Ø 28,5 mm
- ㉚ Ø 32 mm
- ㉜ Ø 52 mm

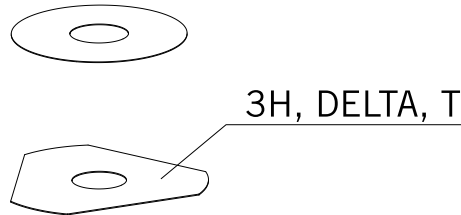
POS	PARTNUMBER	PARTNAME	PIECE
12	46810506	* SHIM 12X38X0,25	X
12	46810515	* SHIM 12X38X0,30	X
12	46812017	SHIM 12X42X0,20	X
12	46812016	SHIM 12X44X0,25	X
14	46811046	SHIM 14,5X35,4X1,25	X
16	50180023	* SHIM 16X23X0,20	X
16	50180030	SHIM	X
16	50180006	BACKPLATE 16X20X0,10	X
16	50180007	SHIM 16X21X0,10	X
16	50180028	SHIM 16X21X0,25	X
16	50180210	WASHER 16X21X1	X
16	50180008	SHIM 16X22X0,10	X
16	50180022	SHIM 16X22X0,20	X
16	50180037	SHIM 16X23X0,30	X
16	50180038	SHIM 16X24X0,30	X
16	50180032	SHIM 15X25X0,25	X
16	50180039	SHIM 16X25X0,30	X
16	50180012	SHIM 16X26X0,10	X
16	50180019	SHIM 16X26X0,15	X
16	50180026	SHIM 16X26X0,20	X
16	50180040	SHIM 16X26X0,30	X
16	50180041	SHIM 16X28X0,10	X
16	50180045	SHIM 16X28X0,15	X
16	50180054	SHIM 16X28X0,20	X
16	50180063	SHIM 16X28X0,25	X
16	50180072	SHIM 16X28X0,30	X
16	50180046	SHIM 16X30X0,15	X
16	50180055	SHIM 16X30X0,20	X
16	50180064	SHIM 16X30X0,25	X
16	50180073	SHIM 16X30X0,30	X
16	50180047	SHIM 16X32X0,15	X
16	50180056	SHIM 16X32X0,20	X
16	50180065	SHIM 16X32X0,25	X
16	50180074	SHIM 16X32X0,30	X
16	50180044	SHIM 16X34X0,10	X
16	50180048	SHIM 16X34X0,15	X
16	50180057	SHIM 16X34X0,20	X
16	50180066	SHIM 16X34X0,25	X

080000190

C130009090

\* NEW PART

X ON DEMAND



- ⑤ Ø 5 mm
- ⑥ Ø 6 mm
- ⑧ Ø 8 mm
- ⑩ Ø 10 mm
- ⑫ Ø 12 mm
- ⑭ Ø 14-14,5 mm
- ⑯ Ø 16 mm
- ⑳ Ø 20 mm
- ㉑ Ø 21 mm
- ㉒ Ø 22 mm
- ㉓ Ø 23 mm
- ㉔ Ø 24,5 mm
- ㉘ Ø 28,5 mm
- ㉚ Ø 32 mm
- ㉜ Ø 52 mm

POS	PARTNUMBER	PARTNAME	PIECE
16	50180075	SHIM 16X34X0,30	X
16	50180049	SHIM 16X36X0,15	X
16	50180058	SHIM 16X36X0,20	X
16	50180067	SHIM 16X36X0,25	X
16	50180076	SHIM 16X36X0,30	X
16	50180050	SHIM 16X38X0,15	X
16	50180059	SHIM 16X38X0,20	X
16	50180068	SHIM 16X38X0,25	X
16	50180077	SHIM 16X38X0,30	X
16	50180051	SHIM 16X40X0,15	X
16	50180060	SHIM 16X40X0,20	X
16	50180069	SHIM 16X40X0,25	X
16	50180078	SHIM 16X40X0,30	X
16	50180052	SHIM 16X42X0,15	X
16	50180061	SHIM 16X42X0,20	X
16	50180070	SHIM 16X42X0,25	X
16	50180079	SHIM 16X42X0,30	X
16	50180053	SHIM 16X44X0,15	X
16	50180062	SHIM 16X44X0,20	X
16	50180071	SHIM 16X44X0,25	X
16	50180080	SHIM 16X44X0,30	X
16	50180177	WASHER 16X8,2X0,6	X
16	50180033	SHIM 16X26X0,25	X
16	50180034	BACKPLATE 16X20X0,30	X
16	50180035	BACKPLATE 16X21X0,30	X
16	50180036	BACKPLATE 16X22X0,30	X
16	50180043	SHIM	X
16	50180024	* SHIM 16X24X0,20	X
16	50180027	* SHIM 16X20X0,25	X
16	50180031	SHIM	X
16	50180029	SHIM	X
16	50180010	* SHIM 16X24X0,10	X
20	48600212	PRESSURE-RING 20X16,25X0,20	X
20	50180666	SHIM 20X24X0,30	X
20	50180654	SHIM 20X36X0,20	X
20	50180655	SHIM 20X38X0,20	X
20	50180656	SHIM 20X40X0,20	X
20	50180665	SHIM 20X40X0,25	X

080000190

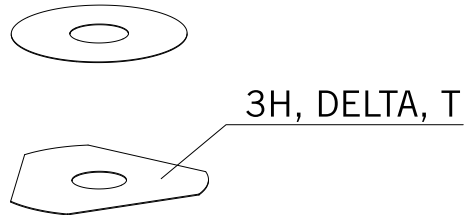
C130009090

\* NEW PART

X ON DEMAND



- ⑤ Ø 5 mm
- ⑥ Ø 6 mm
- ⑧ Ø 8 mm
- ⑩ Ø 10 mm
- ⑫ Ø 12 mm
- ⑭ Ø 14-14,5 mm
- ⑯ Ø 16 mm
- ⑳ Ø 20 mm
- ㉑ Ø 21 mm
- ㉒ Ø 22 mm
- ㉓ Ø 23 mm
- ㉔ Ø 24,5 mm
- ㉘ Ø 28,5 mm
- ㉚ Ø 32 mm
- ㉜ Ø 52 mm



POS	PARTNUMBER	PARTNAME	PIECE
20	50180662	SHIM 20X34X0,25	X
20	50180657	SHIM 20X24X0,25	X
20	50180653	SHIM 20X34X0,20	X
20	50180634	RING 20X22,9X1	X
20	50180650	SHIM 20,2X28X0,20	X
20	50180663	SHIM 20X36X0,25	X
20	50180664	SHIM 20X38X0,25	X
20	50180659	SHIM 20,2X28X0,25	X
21	50180209	WASHER 21X36X0,25	X
22	50180330	* PRESS. RING 22X18X0,30	X
23	50180635	SHUTTLE VALVE 23X38X0,25	X
23	50180578	SHIM D23XD16X2	X
24	40541061	WASHER 24,5X34X2	X
28	36120469	SHIM 28,5X14X2	X
28	36120471	SHIM 28,5X14X5	X
32	48600460	WASHER 32X42X2,5	X
32	50600065	SHIM 32X45X2	X
32	46811637	PRESSURE RING 36X32,25	X
52	50600002	SHIM 52X59X2,2	X

080000190

C130009090

\* NEW PART

X ON DEMAND



A large, empty rectangular box with a thin black border, occupying the majority of the page. It is intended for handwritten notes.

A large, empty rectangular box with a thin black border, occupying the majority of the page. It is intended for handwritten or typed notes.



WWW.KTM.COM



KTM Sportmotorcycle GmbH  
5230 Mattighofen, Austria  
www.ktm.com



**KTM**\_POWERPARTS

**KTM**\_POWERWEAR

**KTM**\_ORIGINAL SPARE PARTS



3CFF9399P8EN

Art. Nr.: 3CFF9399P8EN 23. Mai 2016