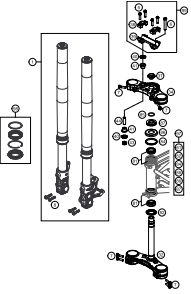
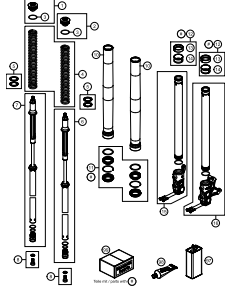
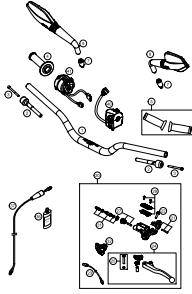
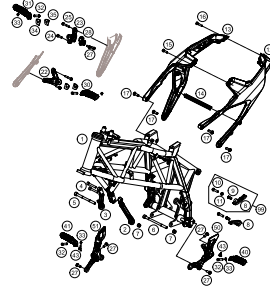
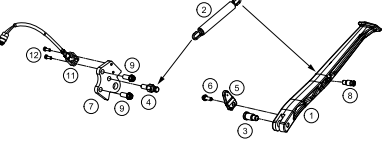
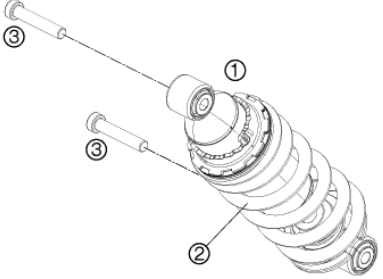
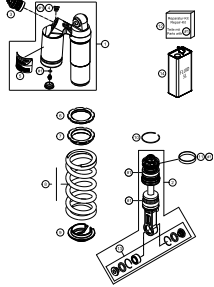
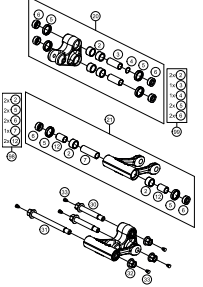
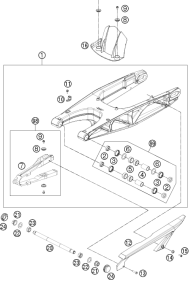
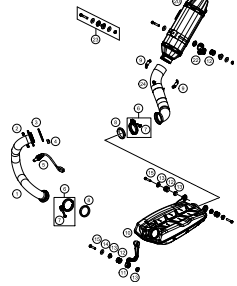
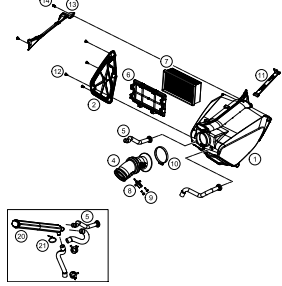
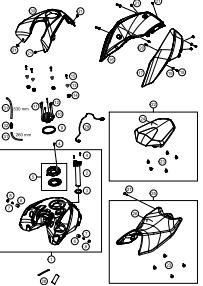
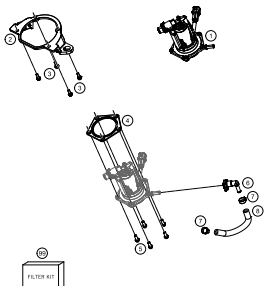
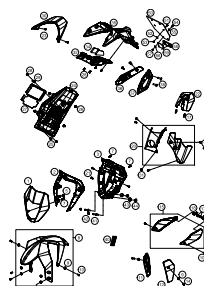
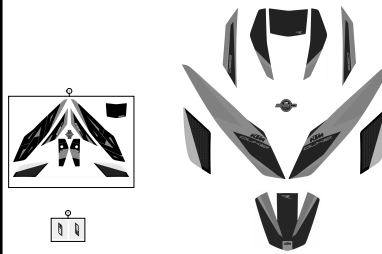
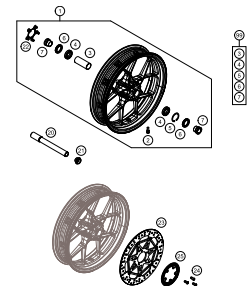
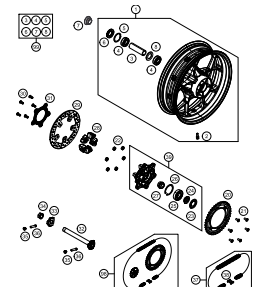
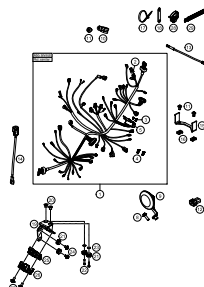
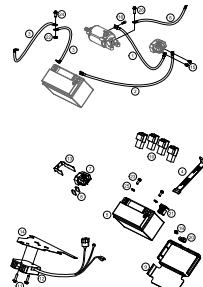
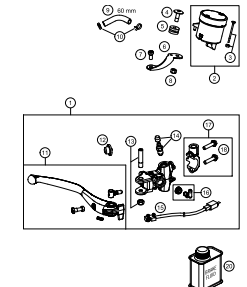
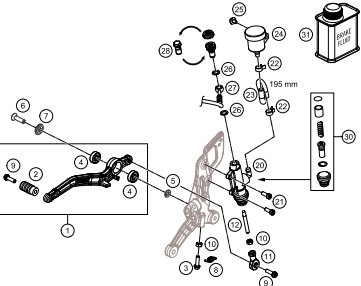
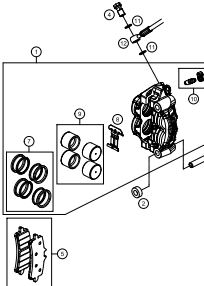
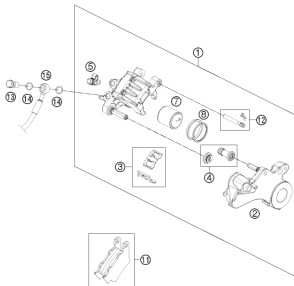
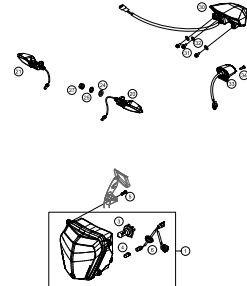


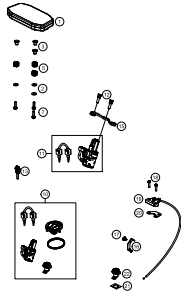
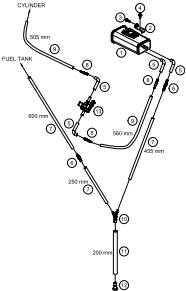
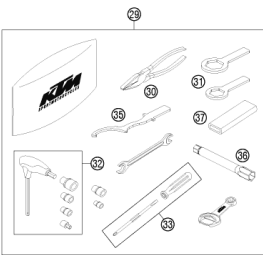
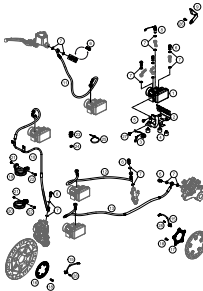
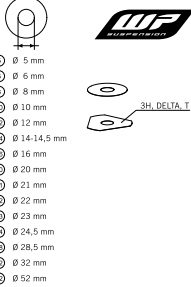
690 DUKE R ABS EU 2016

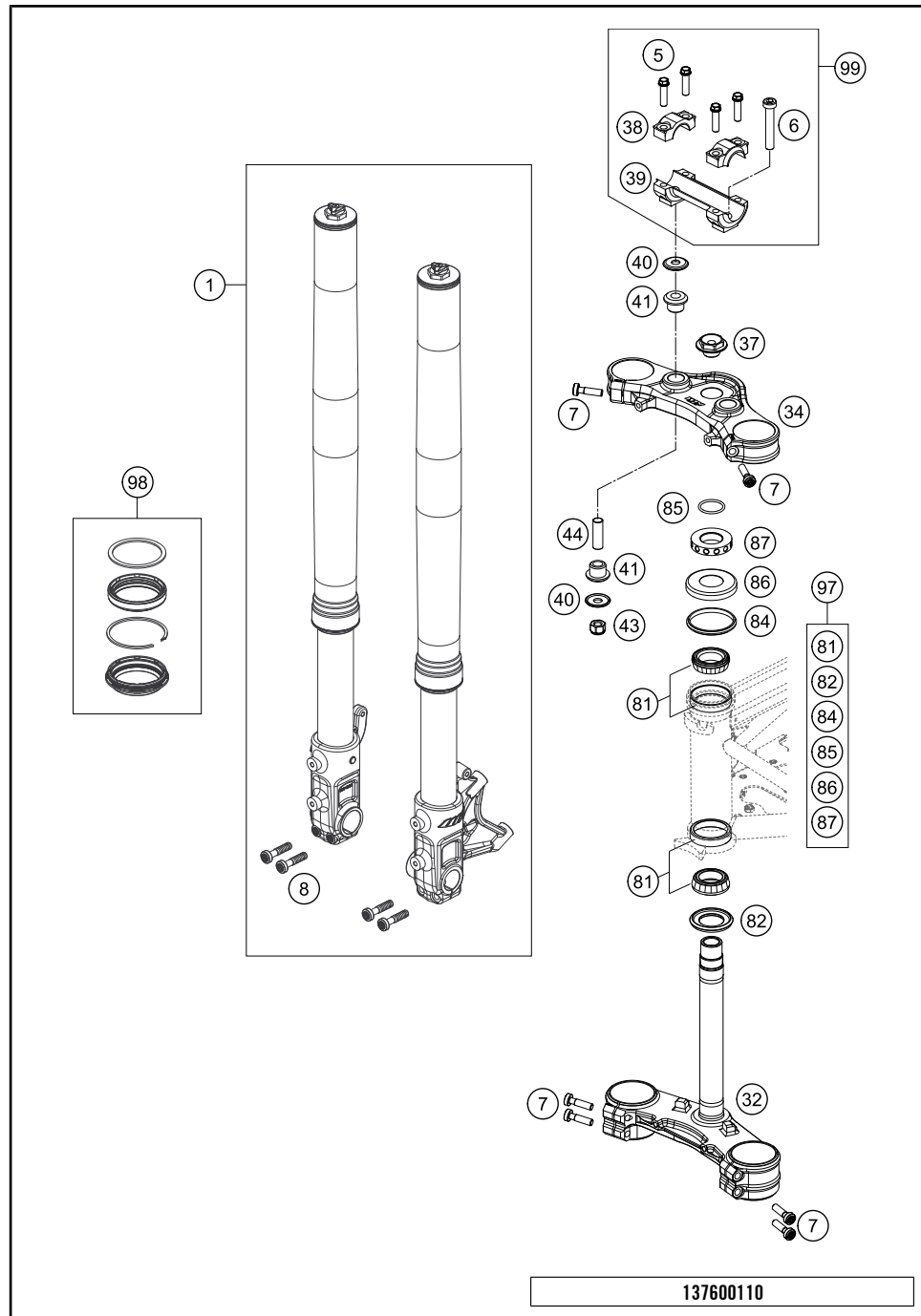
ART.-NR.: 3CFF9703P1EN



| | | | |
|--|---|--|--|
| <p>FRONT FORK, TRIPLE CLAMP</p>  <p>4</p> | <p>FRONT FORK DISASSEMBLED</p>  <p>5</p> | <p>HANDLEBAR, CONTROLS</p>  <p>6</p> | <p>FRAME</p>  <p>7</p> |
| <p>SIDE / CENTER STAND</p>  <p>8</p> | <p>SHOCK ABSORBER</p>  <p>9</p> | <p>SHOCK ABSORBER DISASSEMBLED</p>  <p>10</p> | <p>PRO LEVER LINKING</p>  <p>11</p> |
| <p>SWING ARM</p>  <p>12</p> | <p>EXHAUST SYSTEM</p>  <p>13</p> | <p>AIR FILTER</p>  <p>14</p> | <p>TANK, SEAT, COVER</p>  <p>15</p> |

| | | | |
|---|--|---|--|
| <p>FUEL PUMP</p>  <p>16</p> | <p>MASK, FENDERS</p>  <p>17</p> | <p>DECAL</p>  <p>19</p> | <p>FRONT WHEEL</p>  <p>20</p> |
| <p>REAR WHEEL</p>  <p>21</p> | <p>WIRING HARNESS</p>  <p>22</p> | <p>BATTERY</p>  <p>23</p> | <p>HAND BRAKE CYLINDER</p>  <p>24</p> |
| <p>REAR BRAKE CONTROL</p>  <p>25</p> | <p>BRAKE CALIPER FRONT</p>  <p>26</p> | <p>BRAKE CALIPER REAR</p>  <p>27</p> | <p>LIGHTING SYSTEM</p>  <p>28</p> |

| | | | |
|---|---|---|--|
| <p>INSTRUMENTS / LOCK SYSTEM</p>  <p style="text-align: right;">29</p> | <p>EVAPORATIVE CANISTER</p>  <p style="text-align: right;">30</p> | <p>ACCESSORIES KIT</p>  <p style="text-align: right;">31</p> | <p>ANTIBLOCK SYSTEM</p>  <p style="text-align: right;">33</p> |
| <p>WP SHIMS FOR SETTING</p>  <p style="text-align: right;">34</p> | <div style="display: flex; align-items: center;"> <div style="background-color: #cccccc; width: 50px; height: 100px; display: flex; align-items: center; justify-content: center; margin-right: 20px;"> ! </div> <div> <p>All information contained is without obligation. KTM Sportmotorcycle GmbH particularly reserves the right to modify any equipment, technical specifications, prices, colors, shapes, materials, services, service work, constructions, equipment and the like so as to adapt them to local conditions or to cancel any of the above items, all without previous announcement and without giving reasons. KTM may stop manufacturing certain models without previous notice. KTM shall not be held liable for any deviations of availability and/or ability to deliver, illustrations, descriptions, printing and/or other errors. The illustrated models partly contain extra equipment, which is not applied to standard models.</p> <p>© by KTM Sportmotorcycle GmbH, Mattighofen AUSTRIA; All rights reserved; Reprint, also in extracts, with written allowance of KTM Sportmotorcycle GmbH, Mattighofen only.</p> </div> </div> | | |

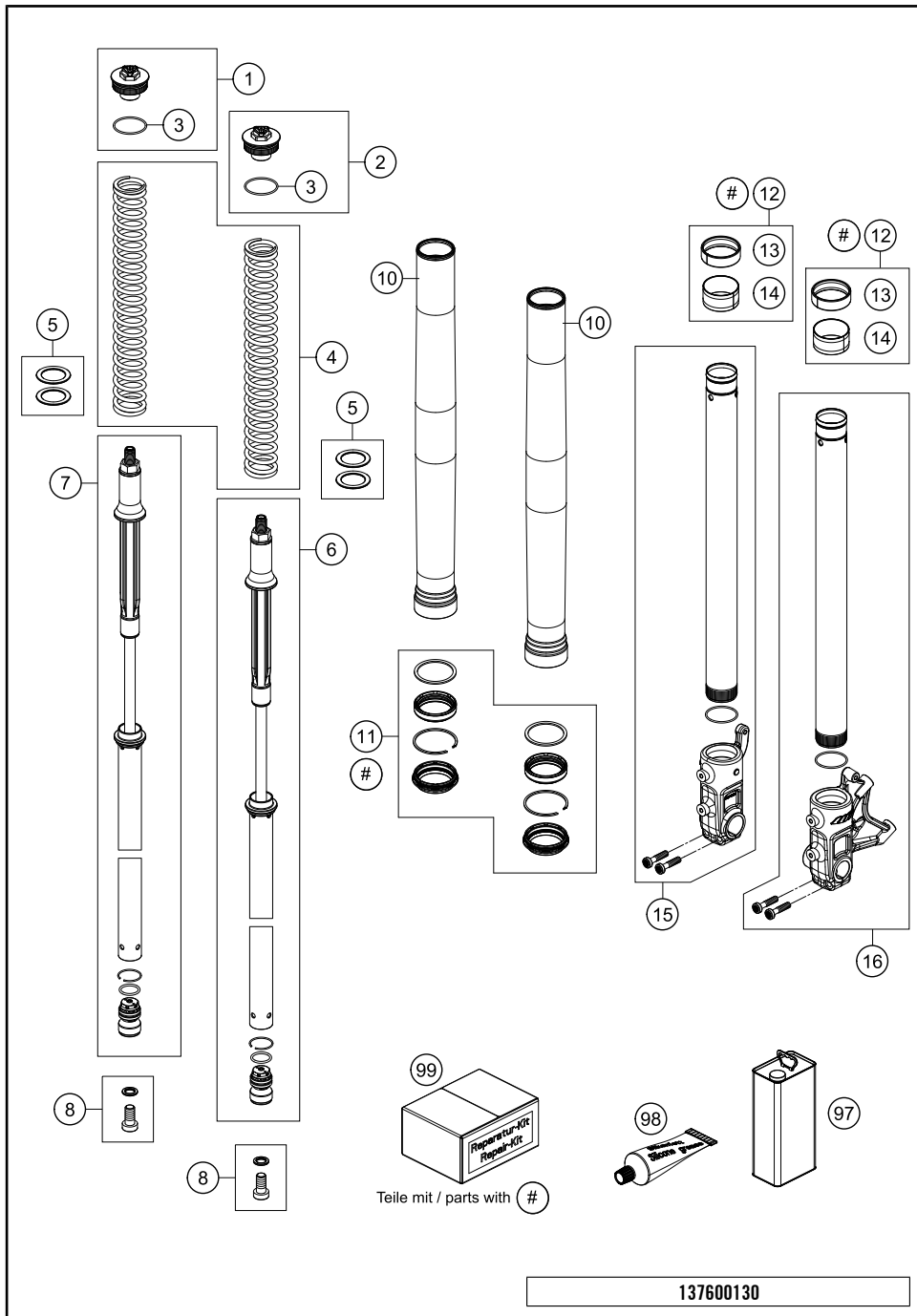


| POS | PARTNUMBER | PARTNAME | PIECE |
|-----|----------------|--------------------------------|-------|
| 1 | 05188M1101 | FORK WP 690 DUKE-R | 1 |
| 5 | 0025080306 | HH COLLAR SCREW M8X30 TX40 | 4 |
| 6 | 0012100603 | AH SCREW DIN6912-M10X60 | 2 |
| 7 | 0035080306 | AH-COLLAR SCREW M8X30 ISA45 | 6 |
| 8 | 0035080356 | AH-COLLAR SCREW M8X35 ISA45 | 4 |
| 32 | 7600193202830 | CPL. LOWER TRIPLE CLAMP | 1 |
| 34 | 7600193402830 | UPPER TRIPLE CLAMP | 1 |
| 37 | 54801036000 | STEER.HEAD SCREW M20X1,5 WS=27 | 1 |
| 38 | 5900103830001S | HANDLEBAR CLAMP 28MM 07 | 1 |
| 39 | 5900103920001S | HANDLEBAR SUPPORT 28MM 07 | 1 |
| 40 | 56401042000 | WASHER 10,5X32X2 | 4 |
| 41 | 56401040000 | RUBBER BUSHING | 4 |
| 43 | 49009082000 | SELF LOCKING NUT M10 FK8 | 2 |
| 44 | 61001041000 | SPACER TUBE 10,2X12X38 05 | 2 |
| 81 | 54201081100 | TAPERED ROLLER BEARING CPL. 06 | 2 |
| 82 | 77701084000 | O-RING SUPPORT W. SEALING LIP | 1 |
| 84 | 54601184000 | STEERING HEAD GASKET TOP | 1 |
| 85 | 0770275025 | O-RING 27,5X2,5 NBR | 1 |
| 86 | 78101086000 | STEERING HEAD COVER | 1 |
| 87 | 57301036000 | STEER.HEAD NUT 660SM 02 | 1 |
| 97 | 76001080044 | STEERING HEAD REP. KIT | x |
| 98 | R515 | REPAIR KIT FORK | x |
| 99 | 00050000922 | HANDLEBAR SUPPORT KIT | x |

137600110

C167600111

* NEW PART X ON DEMAND

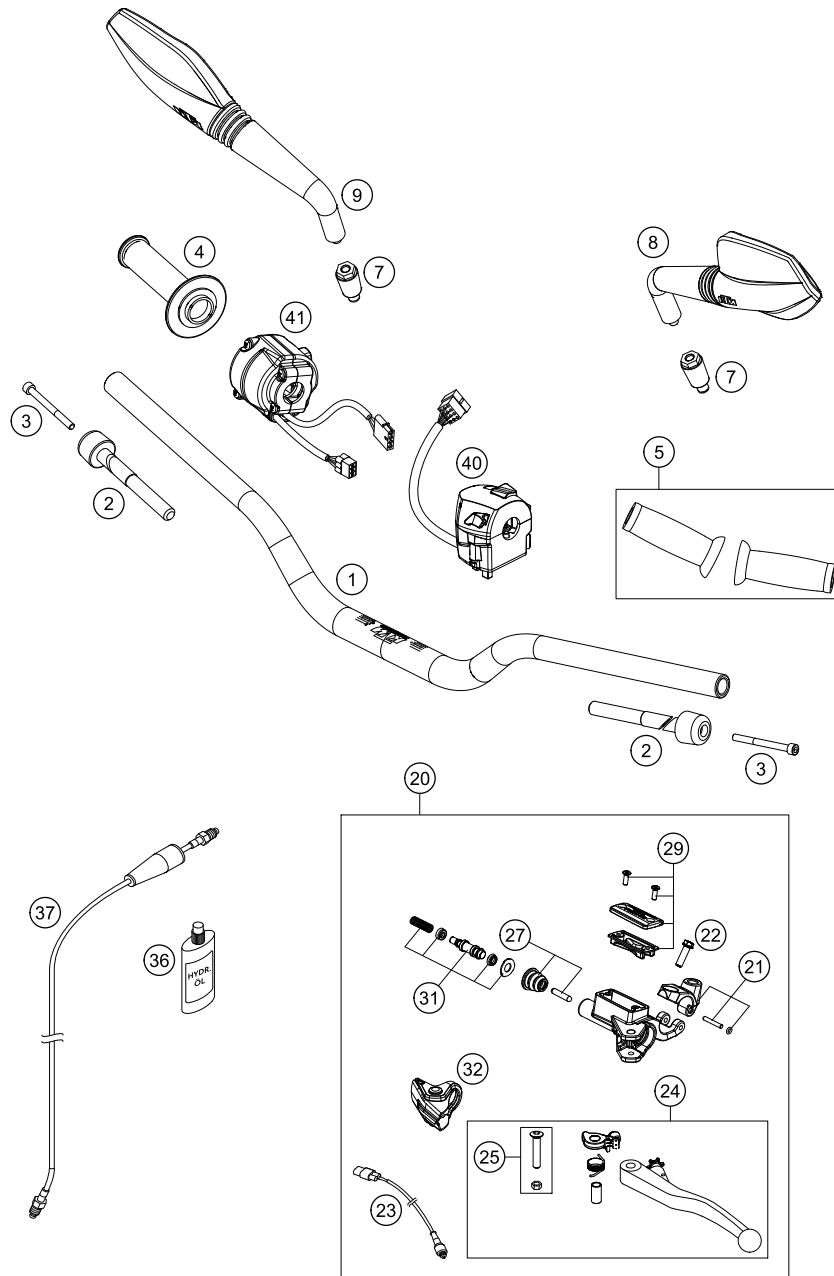


| POS | PARTNUMBER | PARTNAME | PIECE |
|-----|------------|--------------------------------|-------|
| 1 | 43570709S1 | SCREW CAP M16X1,5 CPL. RED | 1 |
| 2 | 43570709S2 | SCREW CAP M16X1,5 CPL. WHITE | 1 |
| 3 | 43570023 | O-RING NBR 41X2 | 2 |
| 4 | 95010062S | SPRING SET 6,5N/MM | 1 |
| 5 | R514 | SPRING SPACER KIT | 2 |
| 6 | 57430008S | CARTRIDGE CPL. L/S | 1 |
| 7 | 57430006S3 | CARTRIDGE CPL. R/S | 1 |
| 8 | 00501020S1 | AH SCREW M10X20 SET | 2 |
| 10 | 43570721 | OUTER TUBE L560 D51/D54 BLACK | 2 |
| 11 | R515 | REPAIR KIT FORK | 1 |
| 12 | R14029 | % GUIDING BUSH SET | 2 |
| 13 | 43570618 | GUIDE BUSHING 43X47X12 | 2 |
| 14 | 43570617 | GUIDE BUSHING 42X44X20 R11 | 2 |
| 15 | 43570688S1 | AXLE CLAMP WITH INNER TUBE R/S | 1 |
| 16 | 43570689S1 | AXLE CLAMP WITH INNER TUBE L/S | 1 |
| 97 | 48601166S1 | FORK OIL SAE4 5L | 1 |
| 98 | T511 | SILICONE GREASE F. DUST STRI | 1 |
| 99 | R14027 | REPAIR KIT F. 690 DUKE R | 1 |

137600130

C137600130

* NEW PART X ON DEMAND



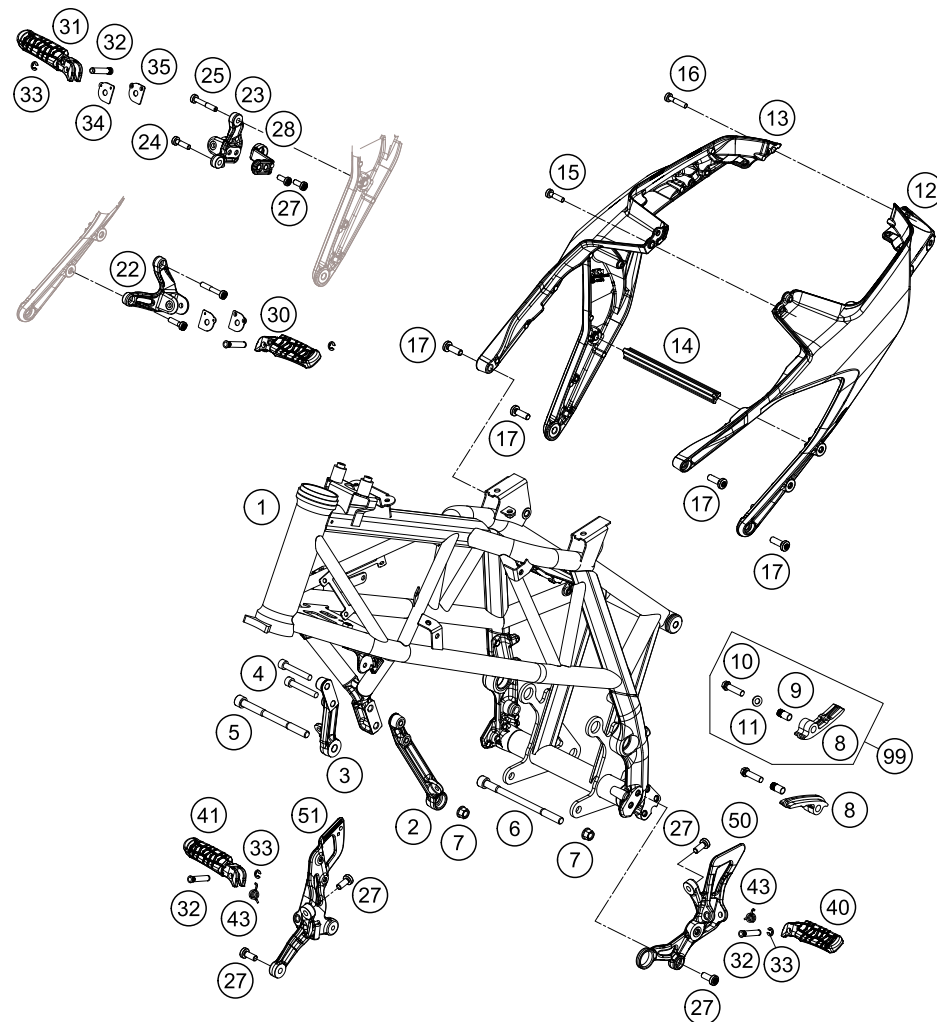
| POS | PARTNUMBER | PARTNAME | PIECE |
|-----|----------------|--------------------------------|-------|
| 1 | 7600210100033S | HANDLEBAR | 1 |
| 2 | 61002004000 | VIBRATIONS ABSORBER 05 | 2 |
| 3 | 0912060653 | AH SCREW DIN0912-M 6X65 | 2 |
| 4 | 76002010000 | THROTTLE GRIP | 1 |
| 5 | 76002021000 | GRIP SET OPEN END | 1 |
| 7 | 58412040050 | SUPPORT FOR MIRROR LC4 '98 | 2 |
| 8 | 61112040000 | REVIEW MIRROR L/S 07 | 1 |
| 9 | 61112041000 | REVIEW MIRROR R/S 07 | 1 |
| 20 | 76502030144 | MASTER CYLINDER DOT CPL. 11MM | 1 |
| 21 | 76513005000 | CLAMP, CYL. PIN, O-RING | 1 |
| 22 | 0025060206 | HH COLLAR SCREW M6X20 TX30 | 1 |
| 23 | 83111049000 | CLUTCH SWITCH ATV | 1 |
| 24 | 76502031000 | CLUTCH LEVER CPL. LONG 13 | 1 |
| 25 | 50302038200 | LEVER SCREW SHORT CPL. 09 | 1 |
| 27 | 76502046000 | PUSH ROD CPL. 13 | 1 |
| 29 | 25002033000 | COVER HYDR. CLUTCH DOT CPL. | 1 |
| 31 | 27002032000 | REP. KIT PISTON DOT 11MM | 1 |
| 32 | 76502037000 | PROTECT.CAP FOR LEVER PERCH 13 | 1 |
| 36 | 00062030000 | BRAKE FLUID DOT5.1 0,25L | 1 |
| 37 | 76032063000 | CLUTCH PIPE 1100MM | 1 |
| 40 | 76011170000 | LIGHT SWITCH LC4 | 1 |
| 41 | 76011073100 | START-STOP/E-GAS | 1 |

167600210

C167600211

* NEW PART

X ON DEMAND



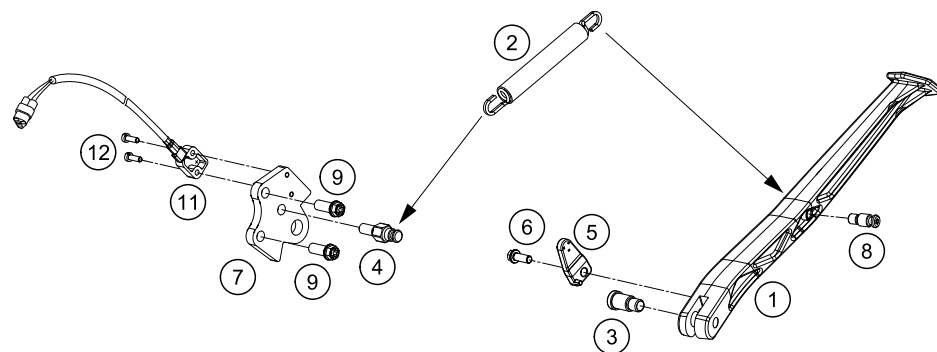
167600310

| POS | PARTNUMBER | PARTNAME | PIECE |
|-----|----------------|--------------------------------|-------|
| 1 | 76003001100EB | FRAME "760PA" | 1 |
| 2 | 7500300104901 | CONNECTION BRACKET ENG. L/S 07 | 1 |
| 3 | 7500310104901 | CONNECTION BRACKET ENG. R/S 07 | 1 |
| 4 | 014579080506S | CYL. SCREW DIN14579 M8X50 SS | 2 |
| 5 | 75603015000 | SPECIAL SCREW M10X129 HEX8 08 | 1 |
| 6 | 75003014000 | SPECIAL SCREW M10X152 ISK8 07 | 1 |
| 7 | 54630044000 | COLLAR NUT M10 WS=13 | 2 |
| 8 | 54804067000 | CHAIN SLIDING PIECE 03 | 2 |
| 9 | 51103053051 | BUSHING 8,2X10X20 | 2 |
| 10 | 0025080306S | HH COLLAR SCREW M8X30 TX40 | 2 |
| 11 | 0125080003 | WASHER DIN0125-A 8,4 | 1 |
| 12 | 7600300200130 | TAILBOOM L/S | 1 |
| 13 | 7600300200230 | TAILBOOM R/S | 1 |
| 14 | 76003002010 | BRACE SUBFRAME | 1 |
| 15 | 0035080256 | AH-COLLAR SCREW M8X25 ISA45 | 2 |
| 16 | 0035080406 | AH-COLLAR SCREW M8X40 ISA45 | 1 |
| 17 | 0035100309S | AH-COLLAR SCREW M10X30 ISA45 | 4 |
| 22 | 7600304800033S | FOOTREST BRACKET REAR L/S | 1 |
| 23 | 7600304900033S | FOOTREST BRACKET REAR R/S | 1 |
| 24 | 0035080306S | AH-COLLAR SCREW M8X30 ISA45 | 2 |
| 25 | 0035080506S | AH-COLLAR SCREW M8X50 ISA45 | 2 |
| 27 | 0035080206S | AH-COLLAR SCREW M8X20 ISA45 | 6 |
| 28 | 7600508400033S | BRACKET F. SILENCER | 1 |
| 30 | 60003050000 | FOOTREST CPL. L/S REAR 03 | 1 |
| 31 | 60003051000 | FOOTREST CPL. R/S REAR 03 | 1 |
| 32 | 60003044000 | BOLT FOR FOOTREST REAR 03 | 4 |
| 33 | 0799060003 | TAB WASHER DIN6799-RS 6,0 | 4 |
| 34 | 60003052000 | ENGAGE PANEL FOOTREST R/S 03 | 2 |
| 35 | 60003152000 | ENGAGE PANEL FOOTREST L/S 03 | 2 |
| 40 | 61003050000 | FOOTREST FRONT L/S CPL. 05 | 1 |
| 41 | 61003051000 | FOOTREST FRONT R/S CPL. 05 | 1 |
| 43 | 61003042000 | SPRING FOOTREST FRONT 05 | 2 |
| 50 | 7600303800033S | FOOTREST BRACKET FRONT L/S | 1 |
| 51 | 7600303900033S | FOOTREST BRACKET FRONT R/S | 1 |
| 99 | 54804067010 | CHAIN SLIDING KIT UPPER CPL. | 1 |

C167600312

* NEW PART

X ON DEMAND



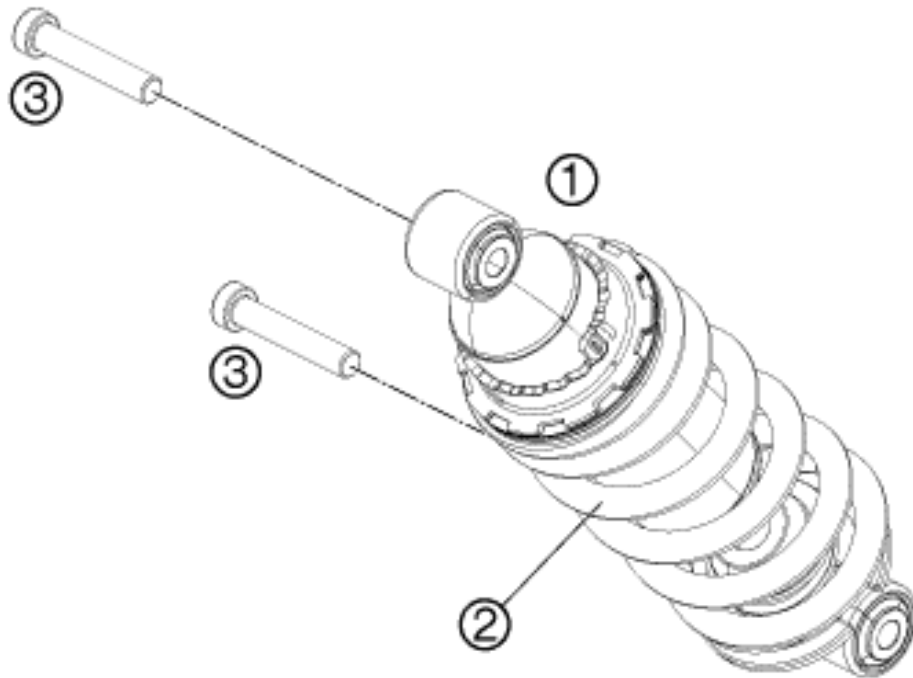
| POS | PARTNUMBER | PARTNAME | PIECE |
|-----|----------------|--------------------------------|-------|
| 1 | 7600312300033S | SIDE STAND CPL. | 1 |
| 2 | 61003024000 | SPRING L=116 MM 05 | 1 |
| 3 | 62503027200 | SCREW FOR SIDE STAND M10X31,2 | 1 |
| 4 | 76503028001 | SPECIAL SCR. SIDE STAND SPRING | 1 |
| 5 | 76003029000 | MAGNET HOLDER | 1 |
| 6 | 0025060126 | HH COLLAR SCREW M6X12 TX30 | 1 |
| 7 | 76003026000 | SIDE STAND BRACKET | 1 |
| 8 | 75603023011 | % BOLT F. SIDE STAND SPRING | 1 |
| 9 | 0025080206S | HH COLLAR SCREW M8X20 ISA40 | 2 |
| 11 | 60411045000 | SIDE STAND SENSOR | 1 |
| 12 | 0084040123 | CYL.HEAD SCREW DIN84A M4x12 | 2 |

137600360

C167600361

* NEW PART

X ON DEMAND



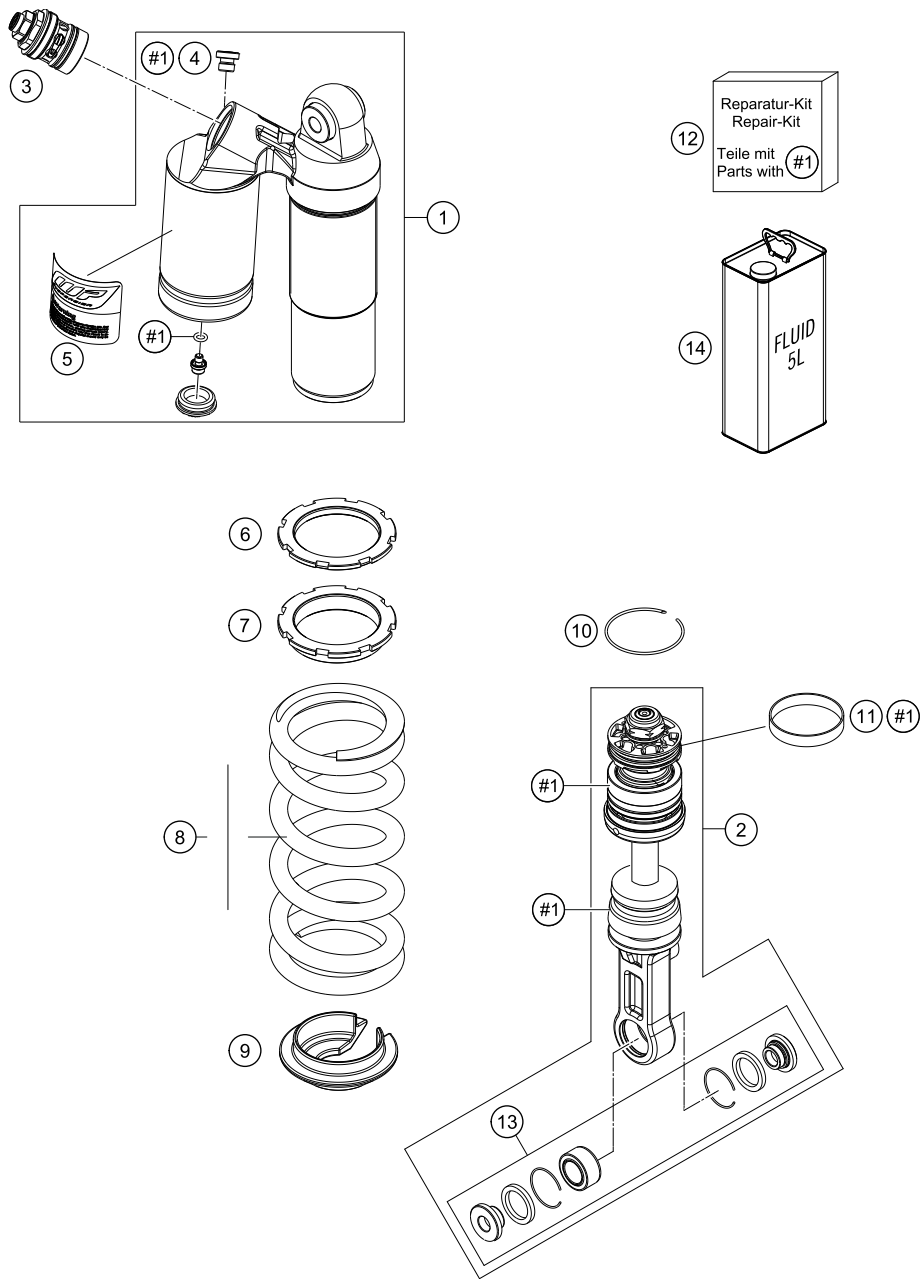
| POS | PARTNUMBER | PARTNAME | PIECE |
|-----|-------------|-----------------------------------|-------|
| 1 | 15187P1101 | MONOSHOCK 690 DUKE R 2016 | 1 |
| 2 | 91110012S | SPRING 185MM 70N/MM (61) WHITE | x |
| 2 | 91110017S | SPRING 185MM 75N/MM WHITE | 1 |
| 2 | 91110018S | SPRING 185MM 80N/MM WHITE | x |
| 3 | 76504016000 | CYL. SCREW M10X1,25 L=53 | 2 |

127600410

C167600410

* NEW PART

X ON DEMAND



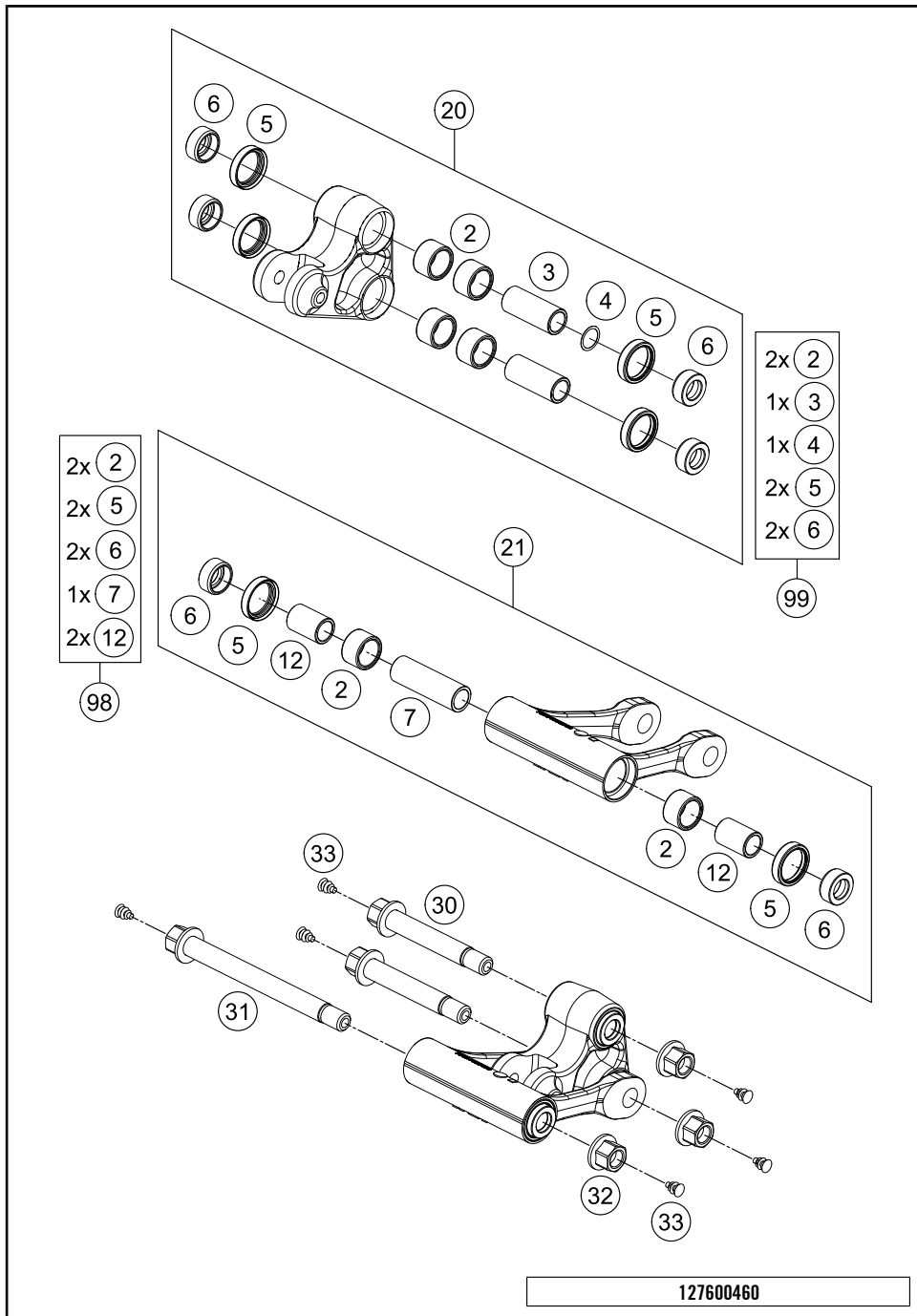
| POS | PARTNUMBER | PARTNAME | PIECE |
|-----|-------------|-------------------------------|-------|
| 1 | 46180807S2 | MONOSHOCK UPPER PART | 1 |
| 2 | 46180654S18 | MONOSHOCK LOWER PART | 1 |
| 3 | 50180213S18 | DCC-COMPR. DAMP. CONTROL CPL. | 1 |
| 4 | 50180095 | BLEED PLUG R 1/8 | 1 |
| 5 | 52000087 | STICKER WP MONOSHOCK | 1 |
| 6 | 46180766 | COUNTERNUT | 1 |
| 7 | 46180855 | ADJUSTING NUT | 1 |
| 8 | 91110012S | SPRING 185MM 70N/MM (61) | x |
| 8 | 91110017S | SPRING 185MM 75N/MM | 1 |
| 8 | 91110018S | SPRING 185MM 80N/MM | x |
| 9 | 46180396 | SPRING RETAINER H=15 D=28 | 1 |
| 10 | 46810010 | CIRCLIP 49X1,5 | 1 |
| 11 | 46812011 | PISTONRING | 1 |
| 12 | R15002 | REPAIR-KIT GASKET 05 | 1 |
| 13 | R15006 | REPAIR KIT BEARINGS 07 | 1 |
| 14 | 50180751S1 | SHOCK ABSORBER FLUID 5 LT | 1 |

137600430

C167600430

* NEW PART

X ON DEMAND

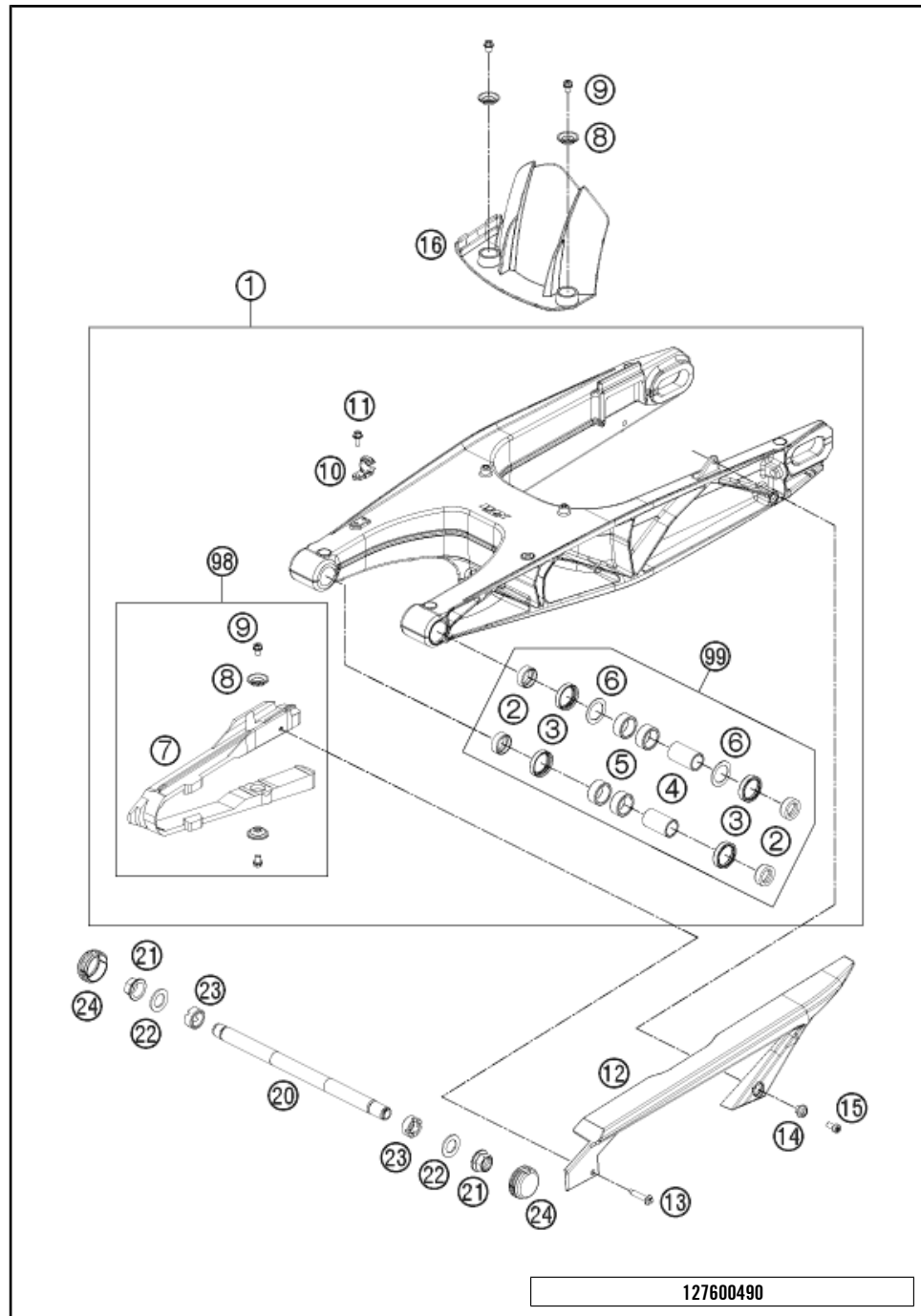


| POS | PARTNUMBER | PARTNAME | PIECE |
|-----|---------------|--------------------------------|-------|
| 2 | 54603097000 | NEEDLE BUSH HK 2016 | 6 |
| 3 | 54603081000 | BUSHING SLEEVE 15 X 20 X 48 | 2 |
| 4 | 54603090010 | STEEL WASHER 15,2X19X0,1 | x |
| 4 | 54603090020 | STEEL WASHER 15,2X19X0,2 | 1 |
| 4 | 54603090030 | STEEL WASHER 15,2X19X0,3 | x |
| 5 | 0760253270 | SHAFT SEAL RING 25X32X7 | 6 |
| 6 | 58303090000 | SPAC.F.SHAFT SEALRING 15X25X11 | 6 |
| 7 | 75004084000 | SPACER SLEEVE 15X20X63 07 | 1 |
| 12 | 50203081800 | BEARING BUSHING | 2 |
| 20 | 7600408004401 | SETTING LEVER CPL. | 1 |
| 21 | 7500408304401 | INTERMEDIATE LEVER CPL. 07 | 1 |
| 30 | 54603182000 | BOLT LINKAGE ARM CPL. | 2 |
| 31 | 75004085044 | BOLT CPL. M14X1,5 L=175MM 07 | 1 |
| 32 | 54603015000 | SELF LOCKING NUT M14X1,5 WS=19 | 3 |
| 33 | 54403135000 | PLASTIC CAP SFL10 | 6 |
| 98 | 75004083010 | PULL ROD REP. KIT 690 DUKE | x |
| 99 | 75004080100 | TRIANGLE LEVER REP. KIT REAR | x |

127600460

C127600460

* NEW PART X ON DEMAND

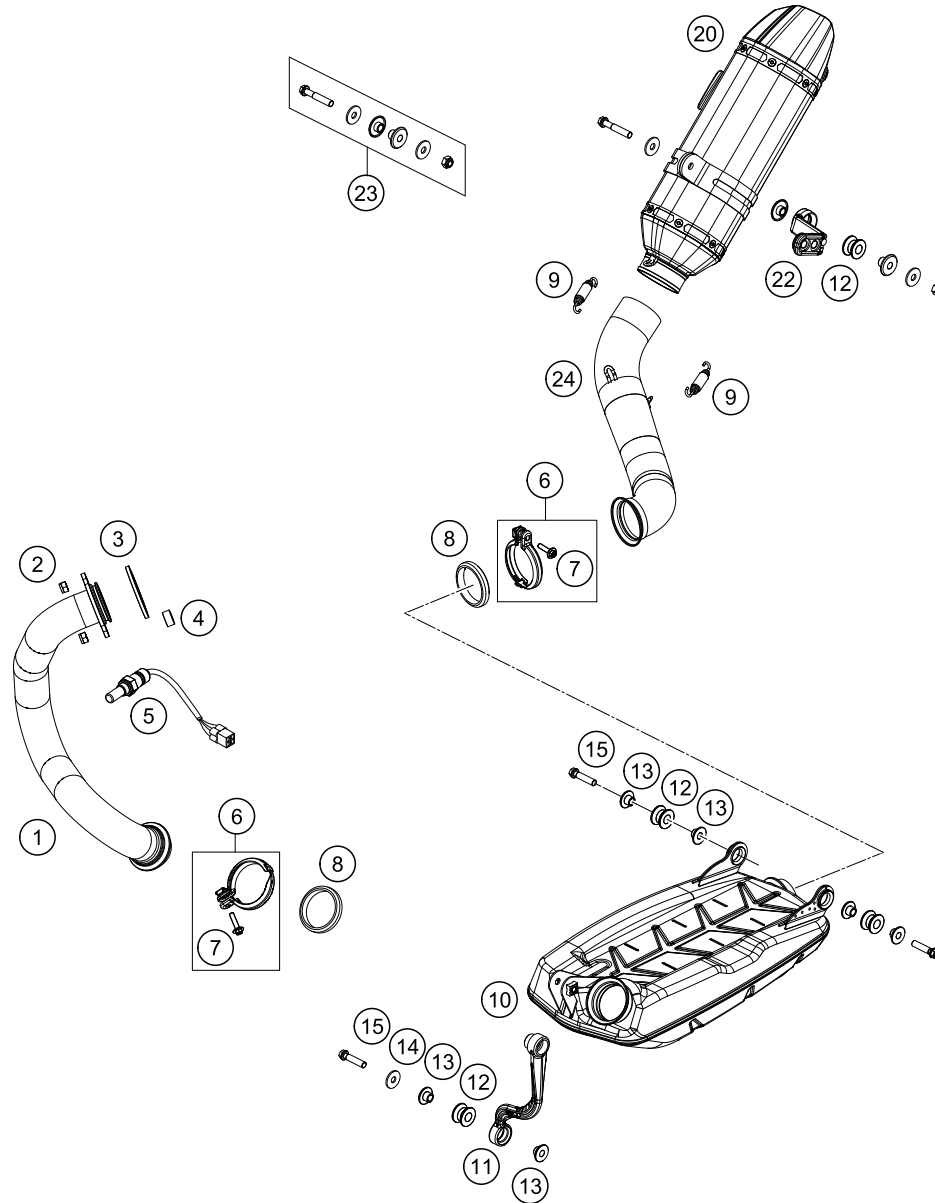


| POS | PARTNUMBER | PARTNAME | PIECE |
|-----|---------------|--------------------------------|-------|
| 1 | 7500403004433 | SWING SM CPL. 07 | 1 |
| 2 | 54804034000 | BUCKET F. SHAFT SEAL RING 03 | 4 |
| 3 | 0760253270 | SHAFT SEAL RING 25X32X7 | 4 |
| 4 | 59404032000 | BEARING SLEEVE 17X22X38,7 03 | 2 |
| 5 | 0618222812 | NEEDLEBEAR HK2212V 22/28/12 MB | 4 |
| 6 | 54603036000 | STOP DISK 22,2X31,7X1 | 2 |
| 7 | 75004066000 | CHAIN SLIDING PROTECTION 07 | 1 |
| 8 | 72210079000 | BUCKET | 4 |
| 9 | 0025060086 | HH COLLAR SCREW M6X8 TX30 | 4 |
| 10 | 5461107610030 | RET. CLAMP F. BRAKE HOSE BLACK | 1 |
| 11 | 0025050106 | COLLAR SCREW M5X10 ISA30 | 1 |
| 12 | 75004060000 | CHAIN GUARD | 1 |
| 13 | 0017060305 | SPECIAL SCREW K60X30 WS=6 | 1 |
| 14 | 75001094010 | BUSHING MUD FLAP 07 | 1 |
| 15 | 014580060126 | CYL. SCREW DIN14580 M 6X12 | 1 |
| 16 | 75004050000 | MUD FLAP 07 | 1 |
| 20 | 75004037000 | SWING ARM BOLT L=272MM 07 | 1 |
| 21 | 54804038000 | SELF LOCK.NUT M16X1,5 WS=19 03 | 2 |
| 22 | 75004042000 | WASHER 07 | 2 |
| 23 | 75004046000 | ADJUSTING RING M24X1 , 5 07 | 2 |
| 24 | 75003088000 | PLASTIC CAP 07 | 2 |
| 98 | 75004066010 | CHAIN GUARD KIT | 1 |
| 99 | 54804230010 | SWINGARM REP. KIT | 1 |

127600490

C147600490

* NEW PART X ON DEMAND



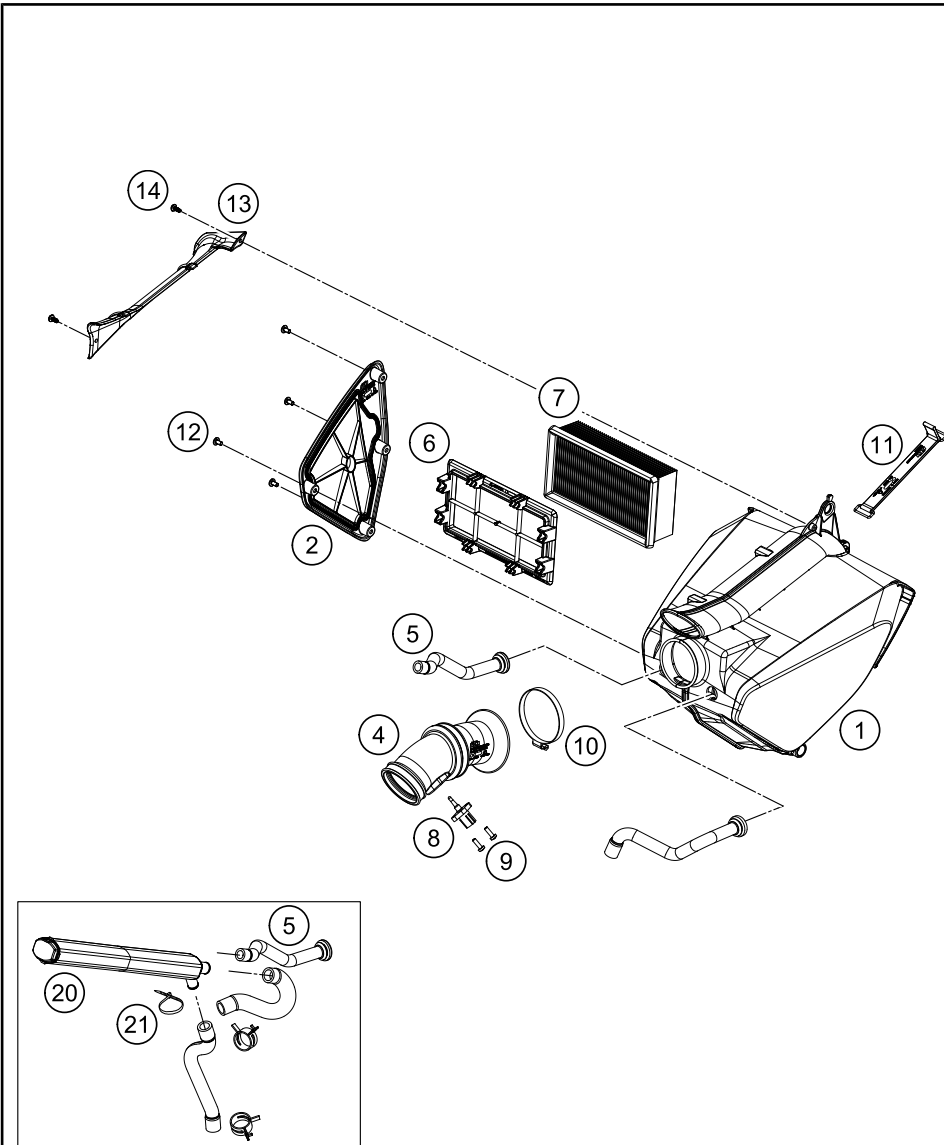
137600511

| POS | PARTNUMBER | PARTNAME | PIECE |
|-----|----------------|-------------------------------|-------|
| 1 | 76005007100 | EXHAUST MANIFOLD | 1 |
| 2 | 51010086100 | SELF LOCKING NUT M 8 CU | 2 |
| 3 | 61005005000 | EXHAUST GASKET 05 | 1 |
| 4 | 61005009000 | SPACER BUSH. 8,5X15X7,5 05 | 1 |
| 5 | 75041090100 | LAMBDA SENSOR | 1 |
| 6 | 69005050000 | CLAMP CPL. | 2 |
| 7 | 0024060256 | HH COLLAR SCREW M6X25 TX30 | 2 |
| 8 | 69005005005 | MANIFOLD GASKET | 2 |
| 9 | 57305016000 | EXHAUST-SPRING WITH RUBBER 02 | 2 |
| 10 | 76005050200 | PRE-SILENCER | 1 |
| 11 | 7560501410001 | BRACKET F. SILENCER | 1 |
| 12 | 54305068100 | DAMP. COMPONENT SILICONE GREY | 4 |
| 13 | 58405050065 | COLLAR BUSH 8,5X12X23,5X10 | 6 |
| 14 | 0021080003 | WASHER DIN9021-A 8,4 | 1 |
| 15 | 0025080356S | HH COLLAR SCREW M8X35 TX40 | 3 |
| 20 | 76005979200 | SLIP ON | 1 |
| 22 | 7600508400033S | BRACKET F. SILENCER | 1 |
| 23 | 76005979050 | SILENCER MOUNTING KIT | 1 |
| 24 | 76005907000 | HEADER SLIP ON | 1 |

C167600511

* NEW PART

X ON DEMAND



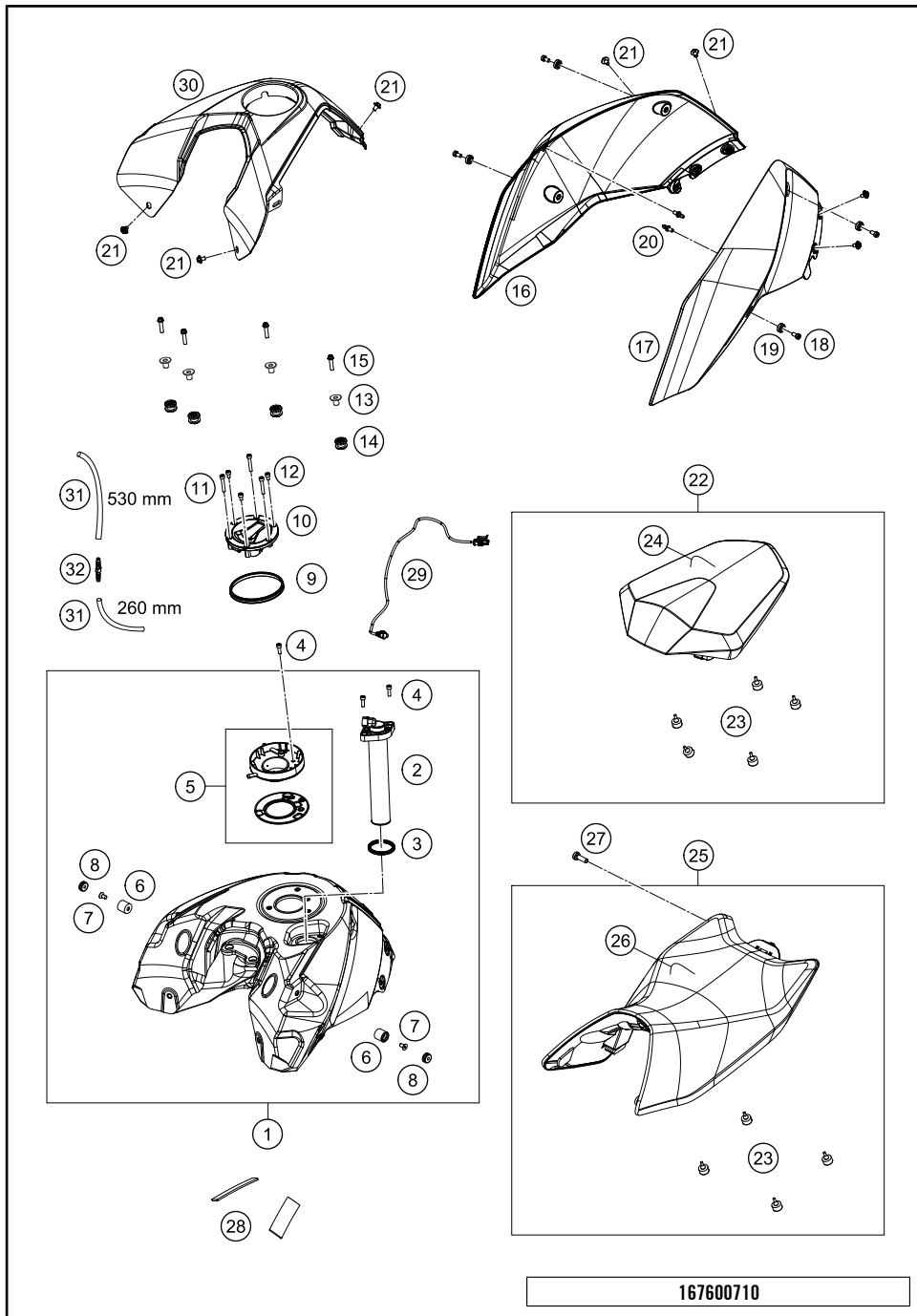
| POS | PARTNUMBER | PARTNAME | PIECE |
|-----|-------------|--------------------------------|-------|
| 1 | 76006001100 | AIRFILTERBOX | 1 |
| 2 | 76006002000 | FILTER BOX COVER | 1 |
| 4 | 76006026000 | INTAKE TRUMPET 760 | 1 |
| 5 | 76030088000 | VENTILATION OIL SEPARATOR FOAM | 1 |
| 6 | 76006016000 | FILTER FRAME | 1 |
| 7 | 75006015000 | AIRFILTER | 1 |
| 8 | 61041080000 | AMBIENT-AIR TEMPERATURE SENSOR | 1 |
| 9 | 0018050163 | INT. TORX OVAL HEAD M5X16 | 2 |
| 10 | 55006028000 | HOSE CLAMP 60-80MM | 1 |
| 11 | 76011056000 | RUBBER HOLDER BATTERY | 1 |
| 12 | 78105081010 | SCREW TORX M5X10 | 4 |
| 13 | 76008030000 | CABLE SUPPORT | 1 |
| 14 | 0081050121 | SCREW FOR PLASTIC K50X12 T20 | 2 |
| 20 | 75030087000 | OIL SEPARATOR FOAM 07 | 1 |
| 21 | 44011076200 | CABLE TIE 200/3,6MM BLACK | 3 |

167600610

C167600610

* NEW PART

X ON DEMAND



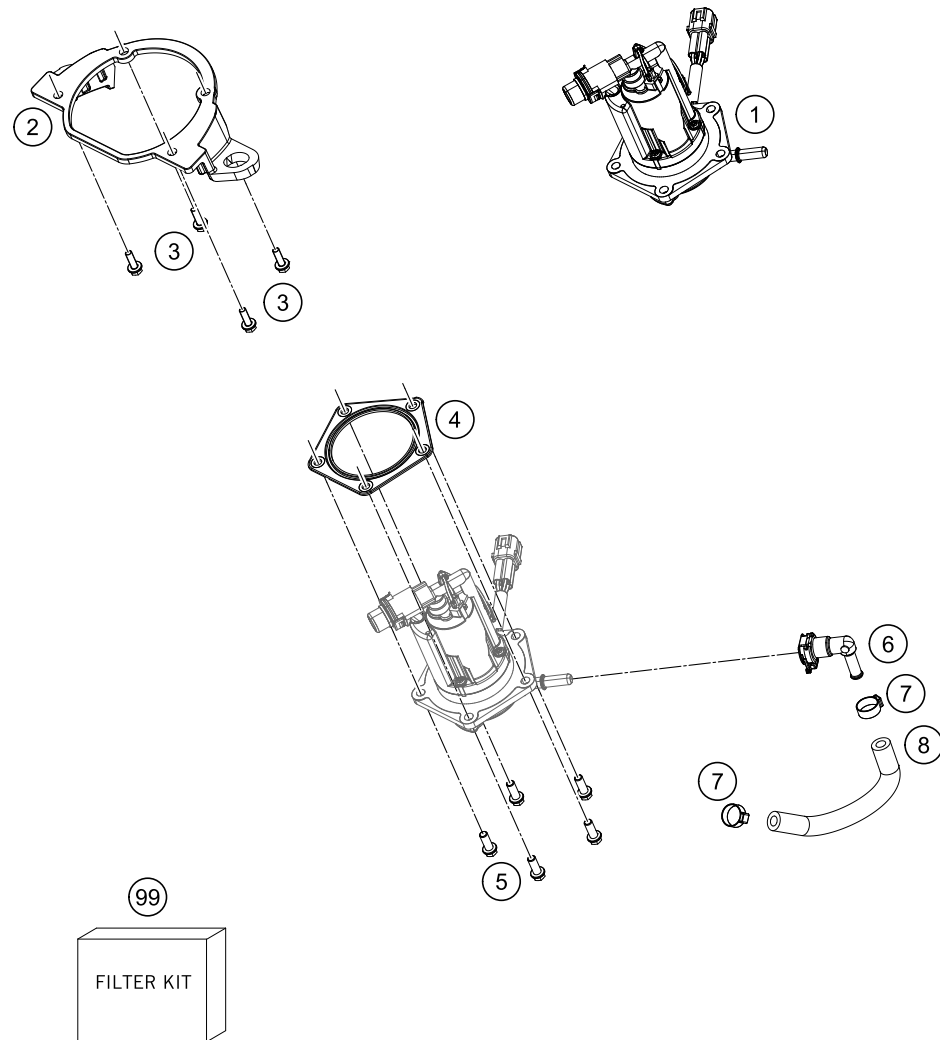
| POS | PARTNUMBER | PARTNAME | PIECE |
|-----|---------------|--------------------------------|-------|
| 1 | 76007013144 | FUEL TANK CPL. | 1 |
| 2 | 76007080000 | FUEL TANK SENSOR | 1 |
| 3 | 60307080090 | GASKET FUEL LEVEL SENSOR | 1 |
| 4 | 0912050163 | AH SCREW DIN0912-M 5X16 | 3 |
| 5 | 76007008160 | TANK INSERT CPL. | 1 |
| 6 | 76008052000 | BUSHING 13X20X18,5MM | 2 |
| 7 | 0991060166S | FL.HEAD SCR.DIN7991-M6X16 10.9 | 2 |
| 8 | 76008052050 | RUBBER SLEEVE 5X7.6X13MM | 2 |
| 9 | 76007008052 | GASKET TANK PLUG | 1 |
| 10 | 76007008000 | TANK PLUG | 1 |
| 11 | 0912050303 | AH SCREW DIN0912-M 5X30 | 3 |
| 12 | 0912050083 | AH SCREW DIN 912 M 5X8 | 3 |
| 13 | 69007028000 | COLLAR BUSH. 6,2X10X21X14MM 08 | 4 |
| 14 | 69007027000 | RUBBER SLEEVE TANK MOUNT 08 | 4 |
| 15 | 0025060256 | HH COLLAR SCREW M6X25 TX30 | 4 |
| 16 | 7600805100030 | SPOILER R/S BLACK | 1 |
| 17 | 7600805000030 | SPOILER L/S BLACK | 1 |
| 18 | 014580060126 | CYL. SCREW DIN14580 M 6X12 | 4 |
| 19 | 61108045000 | SPECIAL WASHER | 4 |
| 20 | 54806008051 | QUICK RELEASE-NIPPLE 03 | 2 |
| 21 | 0024060106 | HH COLLAR SCREW M6X10 TX30 | 7 |
| 22 | 76007047100 | SOZIUS SEAT | 1 |
| 23 | 75007046010 | SEAT RUBBER 10 MM | 9 |
| 24 | 76007047150 | SEAT COVER SOZIUS | 1 |
| 25 | 76007040200 | % SEAT | 1 |
| 26 | 76007040250 | SEAT COVER DRIVER | 1 |
| 27 | 0035080256 | AH-COLLAR SCREW M8X25 ISA45 | 1 |
| 28 | 54601097000 | RUBBER STRIP 85X25X3 MM | 2 |
| 29 | 76011096000 | HARNES FUEL LEVEL SENSOR | 1 |
| 30 | 76008002000 | TANK COVER | 1 |
| 31 | 60007126001 | HOSE 5,4X9,4 NBR, METER | x |
| 32 | 69015019010 | HOSE CONNECTION STRAIGHT | 1 |

167600710

C167600712

* NEW PART

X ON DEMAND



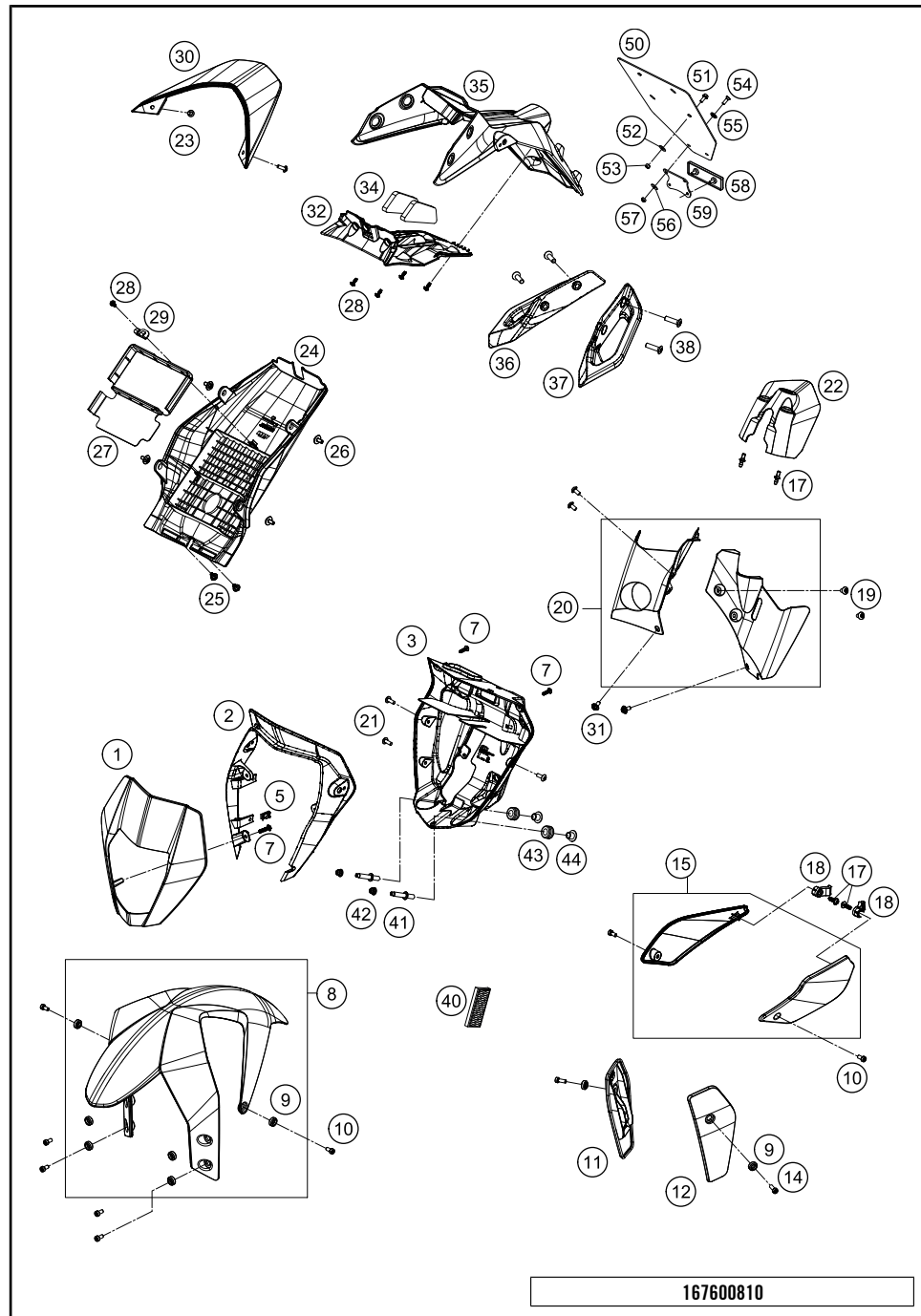
| POS | PARTNUMBER | PARTNAME | PIECE |
|-----|-------------|-------------------------------|-------|
| 1 | 76007088000 | FUEL PUMP | 1 |
| 2 | 76007013050 | LOWER TANK MOUNTING | 1 |
| 3 | 0025060166 | HH COLLAR SCREW M6X16 TX30 | 4 |
| 4 | 76007088010 | GASKET FUEL PUMP | 1 |
| 5 | 0025060166 | HH COLLAR SCREW M6X16 TX30 | 5 |
| 6 | 76007028000 | ELBOW CONNECTOR | 1 |
| 7 | 00050157706 | VARIABLE ONE-EAR CLAMP 15,7MM | 2 |
| 8 | 60007316150 | FUEL HOSE 7.5X3.5 L=150 | 1 |
| 99 | 76407088100 | FILTER KIT | X |

167600730

C167600730

* NEW PART

X ON DEMAND



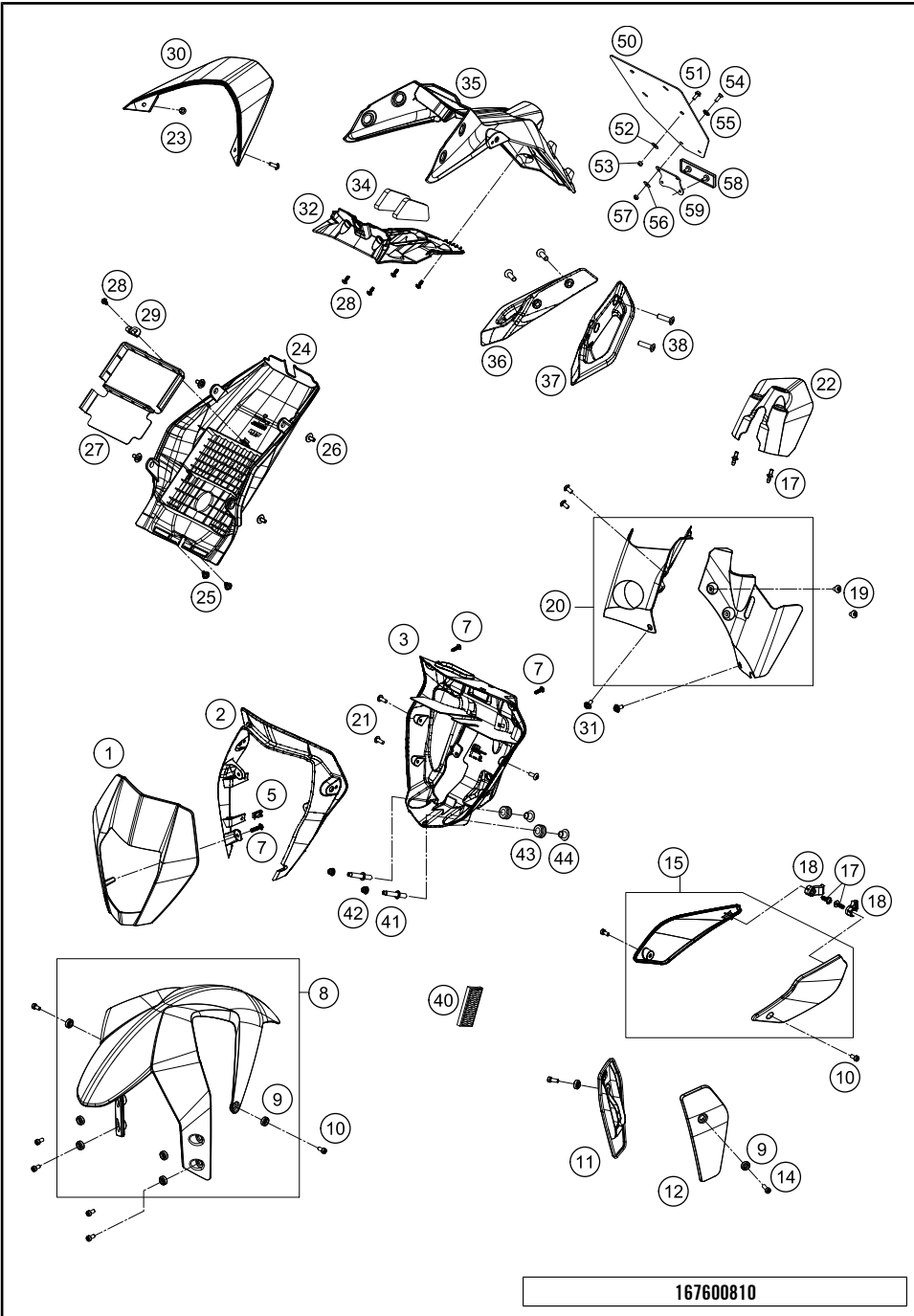
| POS | PARTNUMBER | PARTNAME | PIECE |
|-----|---------------|--------------------------------|-------|
| 1 | 7600800100030 | HEAD LIGHT MASK BLACK | 1 |
| 2 | 76014061000 | MASK MIDDLE PART | 1 |
| 3 | 76014060100 | MASK BACK BOARD | 1 |
| 5 | 69008021080 | RANGE CHANGE METAL NUT M5 | 4 |
| 7 | 0081050181 | SCREW FOR PLASTIC K50X18 T20 | 8 |
| 8 | 7600801004430 | FRONTFENDER CPL. | 1 |
| 9 | 61108045000 | SPECIAL WASHER | 8 |
| 10 | 014580060126 | CYL. SCREW DIN14580 M 6X12 | 8 |
| 11 | 7600806100030 | RADIATOR SPOILER R/S | 1 |
| 12 | 7600806000030 | RADIATOR SPOILER L/S | 1 |
| 14 | 014580060166 | CYL. SCREW DIN14580 M 6X16 | 2 |
| 15 | 76003094000 | FRAMECOVER-SET | 1 |
| 17 | 0081050141 | EJOT PT SCREW 50X14 WN 1451 | 2 |
| 18 | 76003093050 | BRACKET FRAMECOVER | 2 |
| 19 | 78105081010 | SCREW TORX M5X10 | 4 |
| 20 | 76003085044 | FRAMECOVER-SET FRONT | 1 |
| 21 | 58605083014 | SCREW M5X14 TORX 25 07 | 4 |
| 22 | 76011066050 | COVER IGNITION LOCK | 1 |
| 23 | 014580060166 | CYL. SCREW DIN14580 M 6X16 | 2 |
| 24 | 76008019000 | REAR END LOWER PART | 1 |
| 25 | 76503075100 | EXPANDING RIVET CPL. | 2 |
| 26 | 0024060123 | COLLAR SCREW M6X12 TX | 4 |
| 27 | 76011054050 | BATTERY -BASE | 1 |
| 28 | 0081050121 | SCREW FOR PLASTIC K50X12 T20 | 5 |
| 29 | 76011055000 | RETAINING PLATE BATTERY | 1 |
| 30 | 7600801502030 | COVER REARLIGHT BLACK | 1 |
| 31 | 0024060136 | HH COLLAR SCREW M6X13 TX30 | 2 |
| 32 | 76008015010 | COVER NUMBER PLATE CARRIER | 1 |
| 34 | 76014043000 | METAMOLL FOR REARLIGHT | 2 |
| 35 | 76008015000 | NUMBER PLATE CARRIER | 1 |
| 36 | 76012009000 | HANDLE R/S | 1 |
| 37 | 76012008000 | HANDLE L/S | 1 |
| 38 | 0019080306S | COUNTER-SUNK SCREW ISA45 M8X30 | 4 |
| 40 | 58412080100 | REFLECTOR YELLOW '99 | 2 |
| 41 | 76014060150 | EJOMAT DOUBLE PIN 60X12/M6X28 | 4 |
| 42 | 0926060000 | STOP NUT M6 DIN6926 A2-70 | 4 |
| 43 | 76014069051 | RUBBER SLEEVE 7X10,8X16MM | 4 |
| 44 | 76014062000 | COLLAR BUSHING 6,2X7,5X13X12 | 4 |

167600810

C167600812

* NEW PART

X ON DEMAND



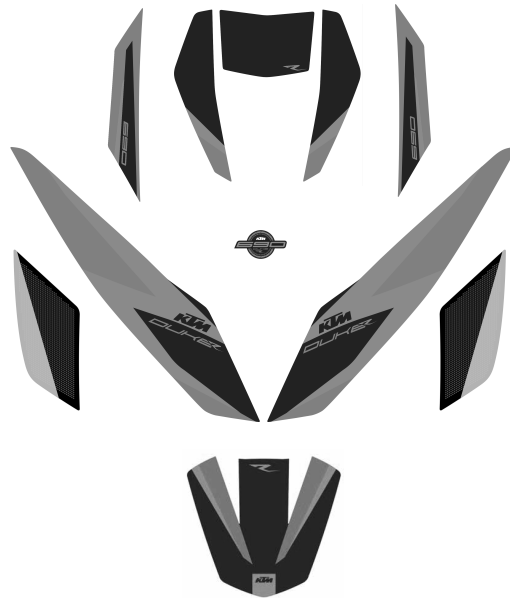
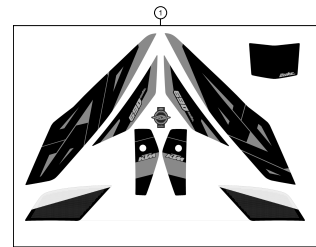
| POS | PARTNUMBER | PARTNAME | PIECE |
|-----|-------------|--------------------------------|-------|
| 50 | 60012081200 | LICENCE FITTING 06 | 1 |
| 51 | 0024060156 | HH COLLAR SCREW M6X15 TX30 | 4 |
| 52 | 0021060003 | WASHER DIN9021-A 6,4 | 4 |
| 53 | 0985060003 | SELF LOCK. NUT DIN0985-M 6 | 4 |
| 54 | 0966050163 | OVAL HEAD SCREW DIN0966-M 5X16 | 2 |
| 55 | 40006006000 | WASHER 6MM | 2 |
| 56 | 0125050003 | WASHER DIN0125-A 5,3 | 2 |
| 57 | 0985050003 | SELF LOCKING NUT DIN0985-M 5 | 2 |
| 58 | 58412080000 | % REFLECTOR RED | 1 |
| 59 | 58412080050 | BRACKET FOR REFLECTOR | 1 |

167600810

C167600812

* NEW PART

X ON DEMAND



| POS | PARTNUMBER | PARTNAME | PIECE |
|-----|-------------|---------------------------|-------|
| 1 | 76008099700 | DECAL SET 690 DUKE R 2016 | 1 |
| 2 | 61308192000 | STICKER SET FORK WP SMALL | 1 |

167600832

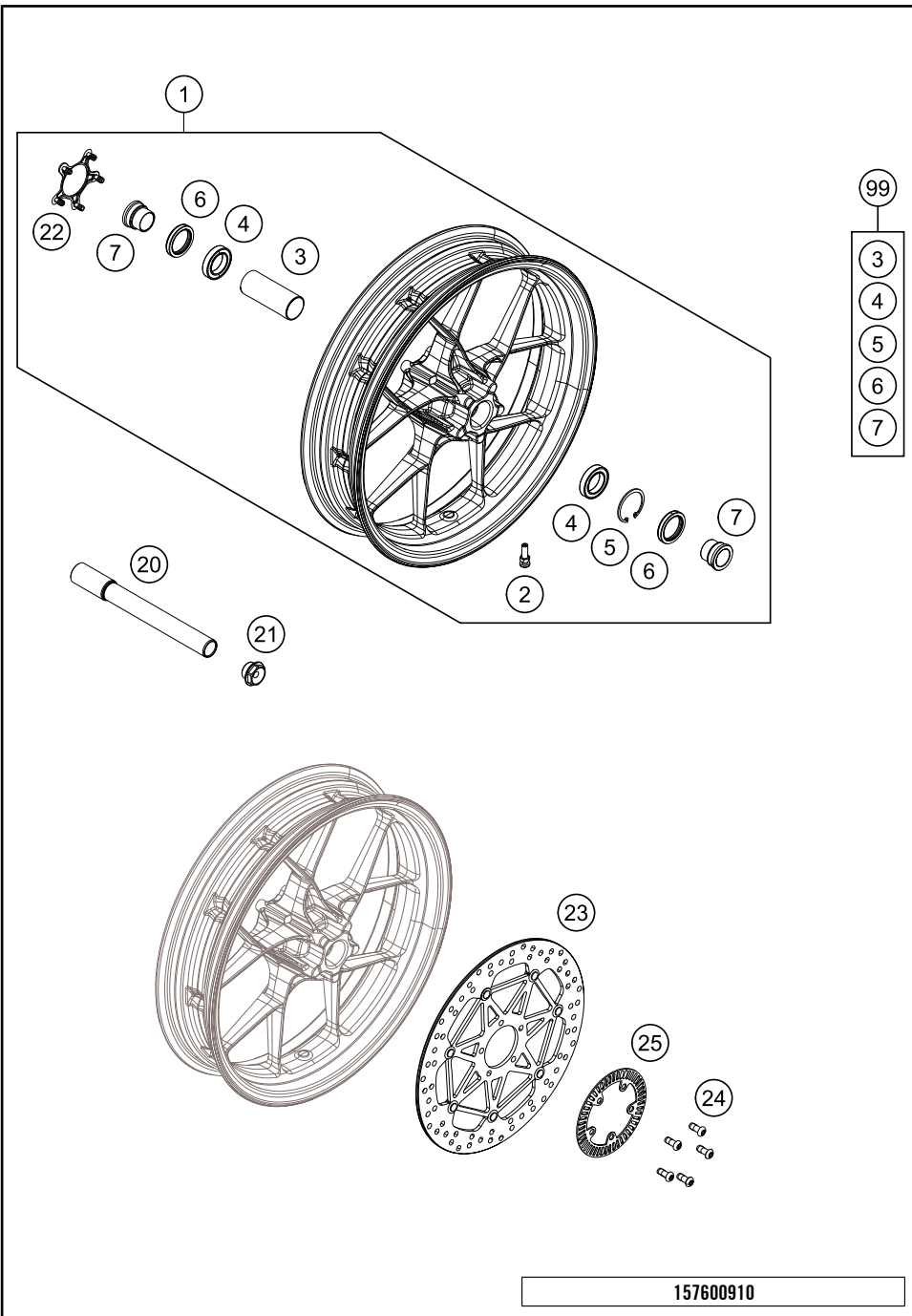
C167600832

* NEW PART

X ON DEMAND

FRONT WHEEL

690 DUKE R ABS EU 2016

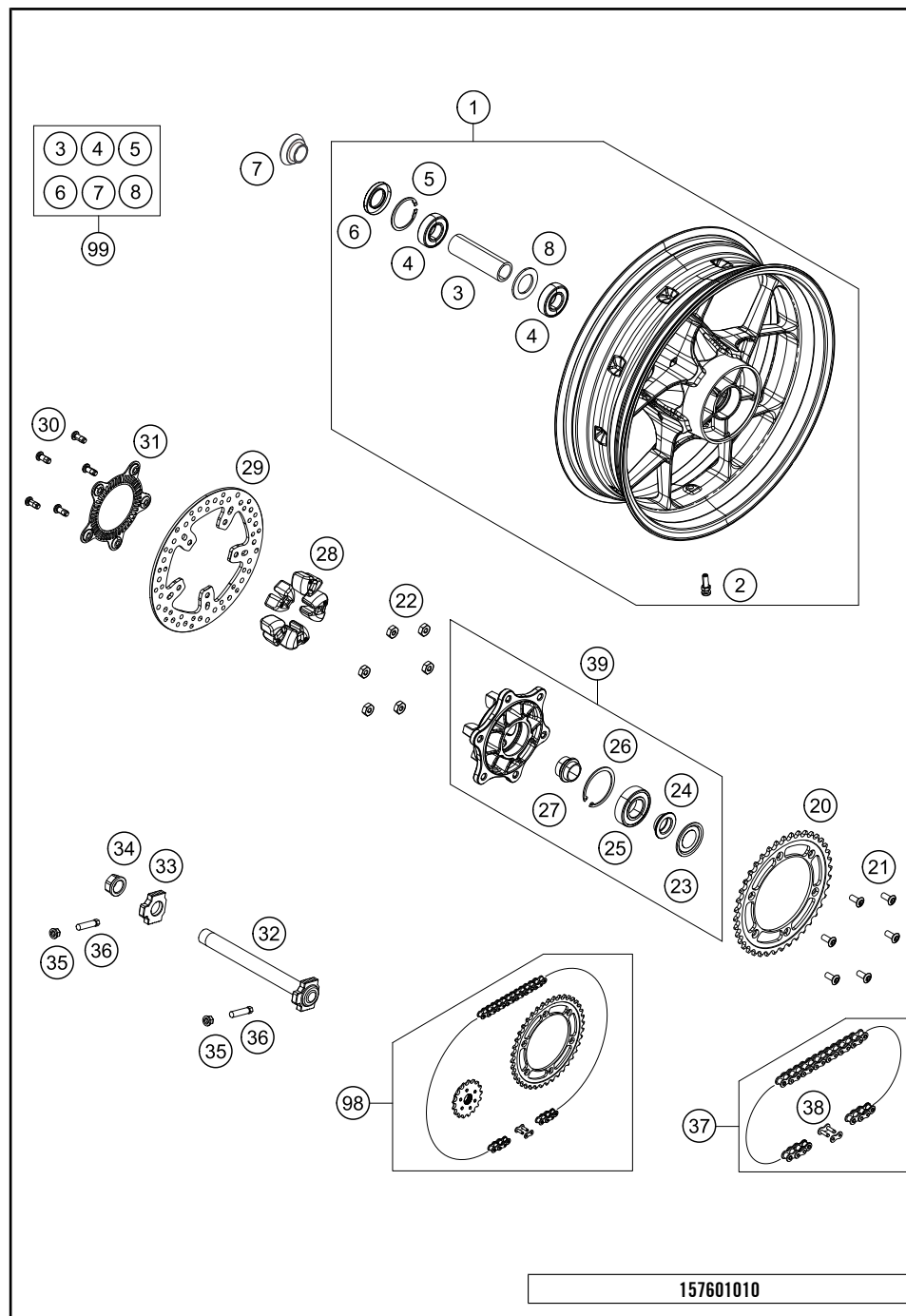


| POS | PARTNUMBER | PARTNAME | PIECE |
|-----|---------------|--------------------------------|-------|
| 1 | 76009001144EB | FRONT WHEEL CPL. 3,5X17" EL.OR | 1 |
| 2 | 58709076000 | VALVE CPL. BREMBO DUKE 2003 | 1 |
| 3 | 61009011000 | BEARING SPACER TUBE FRONT 05 | 1 |
| 4 | 0625069068 | GR.BALL BEAR.6906 DDU2CG23S6NM | 2 |
| 5 | 0472047175 | CIRCLIP DIN0472-47X1,75 | 1 |
| 6 | 0760354771 | SHAFT SEAL RING 35X47X7 TC | 2 |
| 7 | 78009012000 | SPACER BUSHING F. FR. WHEEL 08 | 2 |
| 20 | 75009081000 | WHEEL SPINDLE FRONT D=26MM 07 | 1 |
| 21 | 54809082000 | SPINDLE SCREW M24X1,5 WS=27 03 | 1 |
| 22 | 76009001010 | COVER BRAKE DISC SEAT | 1 |
| 23 | 7600916000033 | BRAKE DISC D=320 | 1 |
| 24 | 76009062000 | SPECIAL SCREW M8X25 SS TX40 | 5 |
| 25 | 76042020000 | SENSORGEAR FRONT | 1 |
| 99 | 75609015000 | FRONT WHEEL REP. KIT | x |

157600910

C167600911

* NEW PART X ON DEMAND



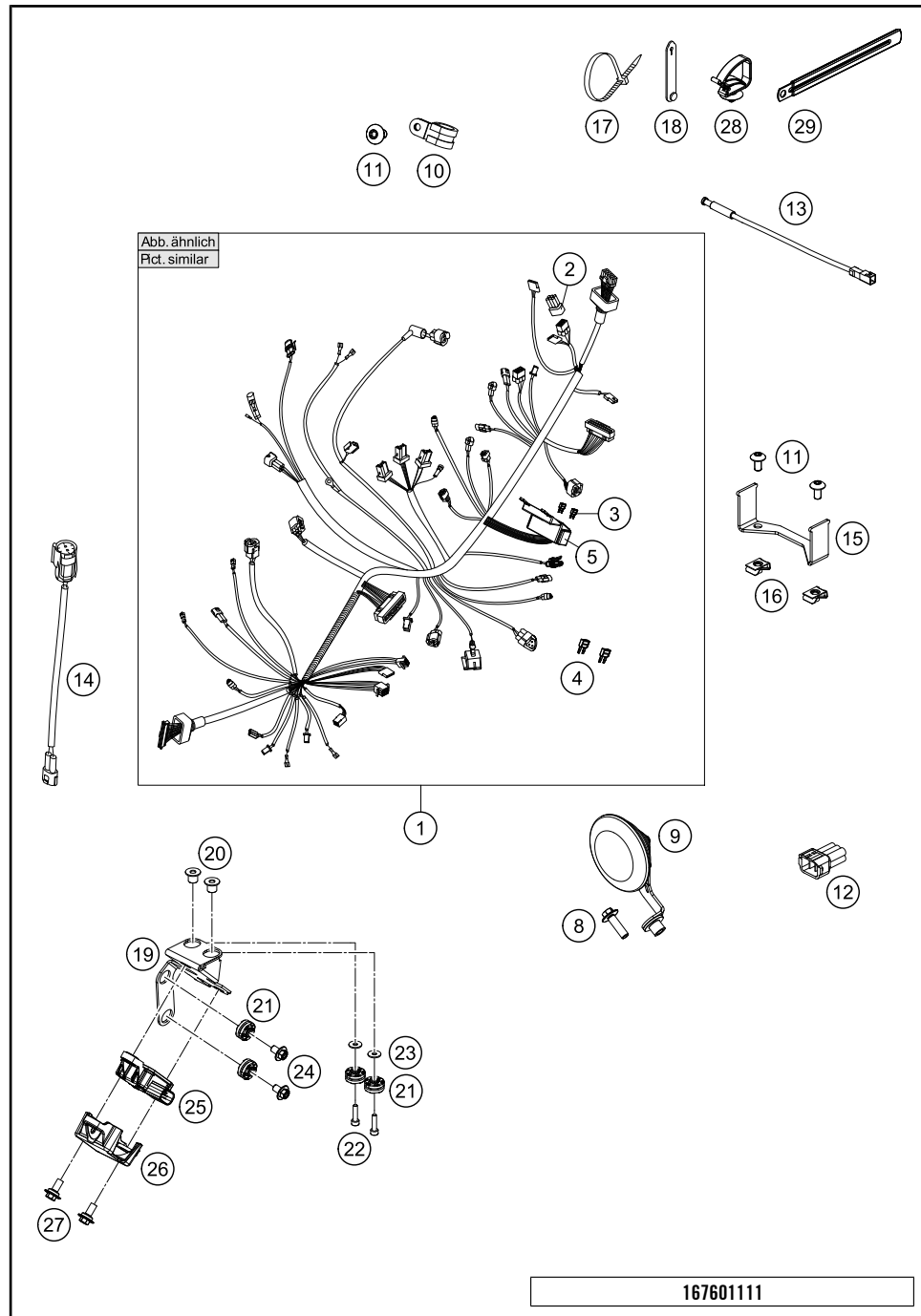
| POS | PARTNUMBER | PARTNAME | PIECE |
|-----|---------------|--------------------------------|-------|
| 1 | 76010001144EB | REAR WHEEL CPL. 5X17" EL.ORAN | 1 |
| 2 | 58709076000 | VALVE CPL. BREMBO DUKE 2003 | 1 |
| 3 | 75310011000 | BEARING SPACER TUBE L=106MM 07 | 1 |
| 4 | 0625062052 | GR.BALL BEAR. 6205-2RSHC3HMTF7 | 2 |
| 5 | 0472052200 | CIRCLIP DIN0472-52X2 | 1 |
| 6 | 0760305271 | SHAFT SEAL RING 30X52X7 | 1 |
| 7 | 60110013000 | SPACER BUSH. REAR WHEEL R/S 06 | 1 |
| 8 | 60010015000 | SPACER RING 03 | 1 |
| 20 | 5841005104004 | REAR SPROCKET ORANGE 40-T | 1 |
| 21 | 0019080206S | FLAT HEAD SCREW M. ISA45 M8X20 | 6 |
| 22 | 76010057000 | HEX NUT M8 WS17 | 6 |
| 23 | 76010020000 | NILOS RING 6206AV | 1 |
| 24 | 76010012000 | OUTER DISTANCE BUSHING | 1 |
| 25 | 0625062065 | BALL BEARING 6206 TVH C4 | 1 |
| 26 | 0472062200 | Steering Insert Circlip | 1 |
| 27 | 76010014000 | INNER DISTANCE BUSHING | 1 |
| 28 | 76010059100 | DAMPING RUBBER | 5 |
| 29 | 76010060000 | BRAKE DISC REAR 240MM | 1 |
| 30 | 76009062000 | SPECIAL SCREW M8X25 SS TX40 | 5 |
| 31 | 76042021000 | SENSORGEAR REAR | 1 |
| 32 | 75010085144 | WHEEL SPINDLE REAR CPL. | 1 |
| 33 | 60010084000 | CHAIN TENSIONER R/S LC8 03 | 1 |
| 34 | 60010086000 | COLLAR NUT WH. SPINDLE REAR 03 | 1 |
| 35 | 58414030000 | HH COLLAR NUT M10X1,25 WS=13 | 2 |
| 36 | 50304040100 | SCREW M10X1,25X50 WS=10 | 2 |
| 37 | 78010167118 | CHAIN DID 118 LINKS | 1 |
| 38 | 78010166100 | RIVETING LINK FOR 78010167118 | x |
| 39 | 7601005004433 | SPROCKET SUPPORT CPL. | 1 |
| 98 | 00050002026 | DRIVETRAIN KIT 690DUKE 16T/40T | x |
| 99 | 76010015000 | REAR WHEEL REPAIR KIT DUKE | x |

157601010

C167601011

* NEW PART

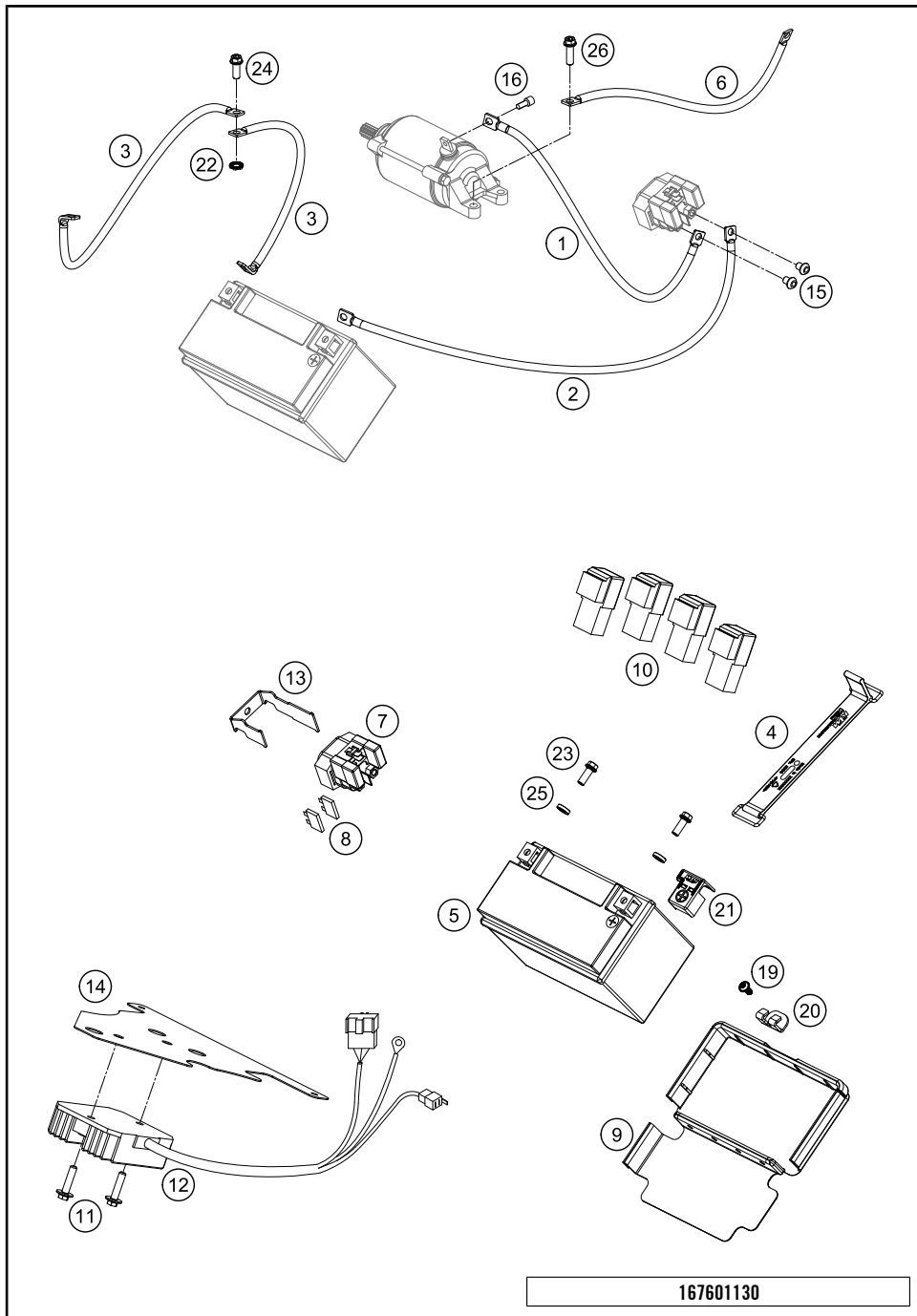
X ON DEMAND



| POS | PARTNUMBER | PARTNAME | PIECE |
|-----|---------------|--------------------------------|-------|
| 1 | 76011075200 | % MAIN HARNESS | 1 |
| 2 | 000700000BH | SPARE CONNECTOR BH 6-PINS | 1 |
| 3 | 75011088010 | FUSE 10A 07 | x |
| 3 | 75011088015 | FUSE 15A 07 | x |
| 4 | 58011109125 | FUSE 25 A | x |
| 4 | 58011109115 | FUSE 15 A | x |
| 5 | 75011087050 | RUBBER CASING FOR FUSE BOX | 1 |
| 8 | 0024060206 | HH COLLAR SCREW M6X20 TX30 | 1 |
| 9 | 76011060100 | DC HORN 12V | 1 |
| 10 | 49007439000 | CLAMP RSGU 15/12 | 1 |
| 11 | 78105081010 | SCREW TORX M5X10 | 3 |
| 12 | 000700000BH01 | DUMMY PLUG 6-PIN | 1 |
| 13 | 61111018100 | TEMPERATURE SENSOR | 1 |
| 14 | 76011048000 | AMBIENT-AIR TEMP. SENSOR CABLE | 1 |
| 15 | 76011057000 | BRACKET F. FUSE BOX | 1 |
| 16 | 69008021080 | RANGE CHANGE METAL NUT M5 | 2 |
| 17 | 44011076200 | CABLE TIE 200/3,6MM BLACK | x |
| 18 | 60011093045 | RUBBER CABLE TIE 45MM 03 | x |
| 19 | 76011090000 | BRACKET SENSOR BOX | 1 |
| 20 | 76011090010 | SLEEVE 4,5X14X10MM | 2 |
| 21 | 62142041100 | DUMPER 40 SHORE | 4 |
| 22 | 0912040163 | AH SCREW DIN0912-M 4X16 | 2 |
| 23 | 0021040003 | WASHER DIN9021-A 4,3 | 2 |
| 24 | 0024060106 | HH COLLAR SCREW M6X10 TX30 | 2 |
| 25 | 60342090000 | SLOPING POSITIONS SENSOR | 1 |
| 26 | 61342090050 | COVER SENSOR BOX | 1 |
| 27 | 83008000015 | SPECIAL SCREW M6X15X3 | 2 |
| 28 | 76011094000 | CABLE SUPPORT | 1 |
| 29 | 76011093000 | CABLE SUPPORT | 2 |

C167601111

* NEW PART X ON DEMAND

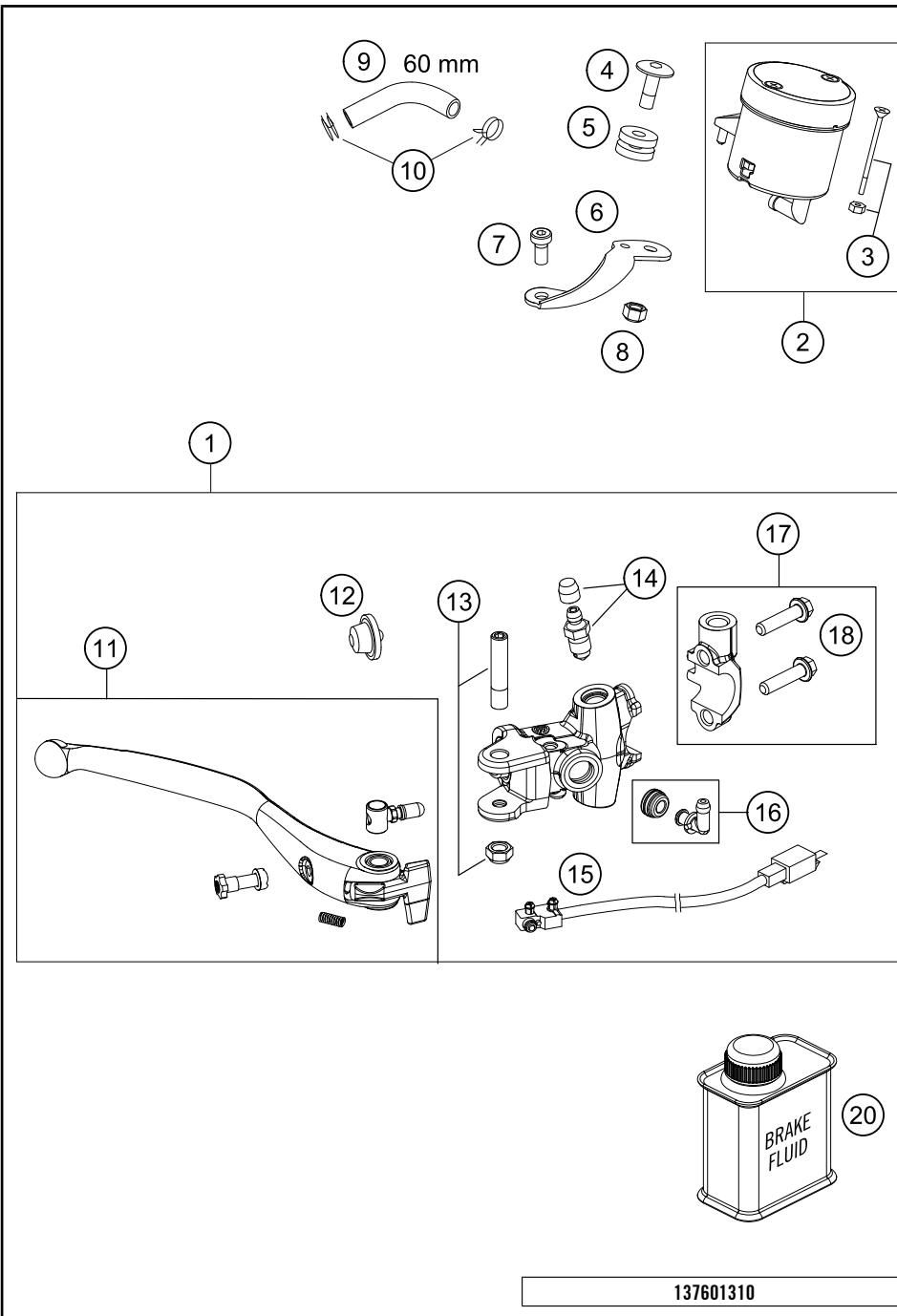


| POS | PARTNUMBER | PARTNAME | PIECE |
|-----|-------------|------------------------------|-------|
| 1 | 76011059000 | STARTER CABLE L=730 MM | 1 |
| 2 | 76011059050 | BATTERY CABLE L=430 MM | 1 |
| 3 | 60011097000 | GROUND CABLE L=470MM 03 | 2 |
| 4 | 76011056000 | RUBBER HOLDER BATTERY | 1 |
| 5 | 76011053100 | BATTERY 12V/8AH | 1 |
| 6 | 61011097000 | GROUND CABLE L=450MM 05 | 1 |
| 7 | 76211058000 | STARTER RELAY 07 | 1 |
| 8 | 58011109130 | FUSE 30 A | 2 |
| 9 | 76011054050 | BATTERY -BASE | 1 |
| 10 | 61111057000 | RELAY CM1A-R-12V-H80 07 | 4 |
| 11 | 0025060306 | HH COLLAR SCREW M6X30 TX30 | 2 |
| 12 | 60011034100 | VOLTAGE REGULATOR | 1 |
| 13 | 76011058050 | BRACKET STARTER RELAY | 1 |
| 14 | 76003087000 | SPLASH GUARD | 1 |
| 15 | 0902060083 | AH OVAL SCREW ISO 7380 M 6X8 | 2 |
| 16 | 0912050083 | AH SCREW DIN 912 M 5X8 | 1 |
| 19 | 0081050121 | SCREW FOR PLASTIC K50X12 T20 | 1 |
| 20 | 76011055000 | RETAINING PLATE BATTERY | 1 |
| 21 | 62111059060 | COVER POSITIVE POLE | 1 |
| 22 | 58411098100 | CONTACT WASHER M6 VSV-K6 | 1 |
| 23 | 0025060166 | HH COLLAR SCREW M6X16 TX30 | 2 |
| 24 | 0025060126 | HH COLLAR SCREW M6X12 TX30 | 1 |
| 25 | 12011016000 | WASHER 6 X 12 X 3 | 2 |
| 26 | 0025060206 | HH COLLAR SCREW M6X20 TX30 | 1 |

167601130

C167601130

* NEW PART X ON DEMAND



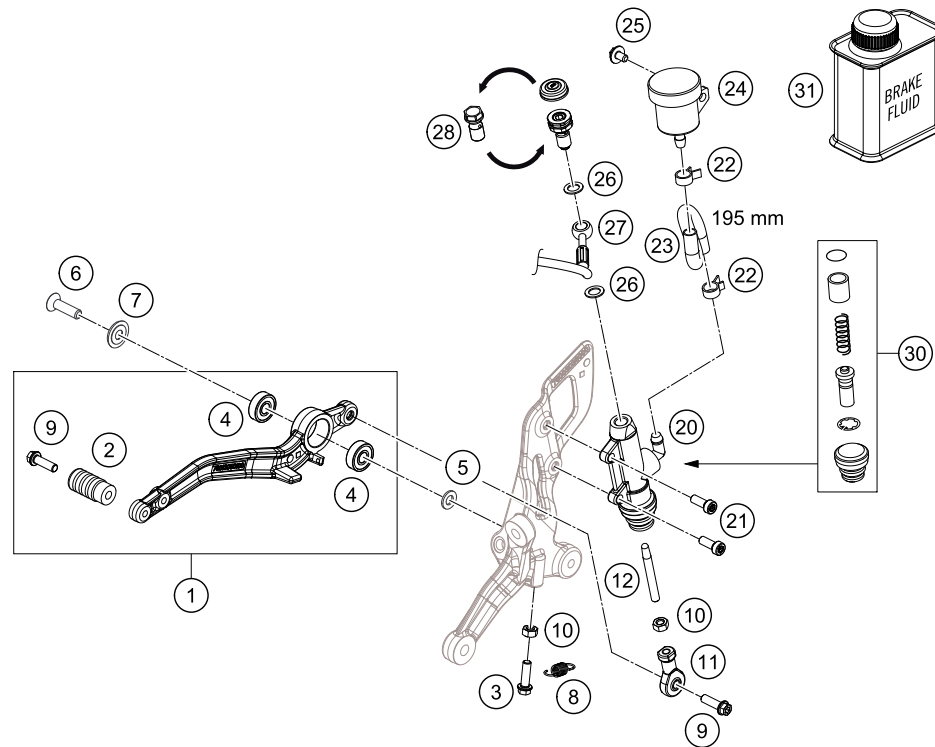
| POS | PARTNUMBER | PARTNAME | PIECE |
|-----|---------------|--------------------------------|-------|
| 1 | 7601310100030 | HAND BRAKE CYLINDER | 1 |
| 2 | 61013009202 | BRAKE FLUID RESERV. WHITE CPL. | 1 |
| 3 | 61013009203 | SCREW + NUT F. RESERVOIR | 2 |
| 4 | 61013013050 | SCREW RET.PANEL-RESERVOIR | 1 |
| 5 | 61013013000 | RUBBER BUSH 05 | 1 |
| 6 | 61013009001 | RET.PANEL FLUID RES. FRONT 05 | 1 |
| 7 | 61013021000 | SCREW RET.PANEL-BRAKE CYLINDER | 1 |
| 8 | 61013009004 | NUT FOR RESERVOIR | 1 |
| 9 | 58007016101 | HOSE FOR RESERVOIR 6X1,5 | x |
| 10 | 58007017000 | YDNAC CLAMP 10101 (10,4MM) | 2 |
| 11 | 61013002044 | HAND BRAKE LEVER 05 | 1 |
| 12 | 61013008000 | RUBBER CUP 05 | 1 |
| 13 | 61013006000 | LEVER SCREW CPL. 05 | 1 |
| 14 | 60013020000 | BLEEDER SCREW WITH CAP | 1 |
| 15 | 61011050000 | BRAKE LIGHT SWITCH FRONT 05 | 1 |
| 16 | 54513155000 | ANGLE PIECE | 1 |
| 17 | 76013005000 | CLAMP CPL. | 1 |
| 18 | 0025060256 | HH COLLAR SCREW M6X25 TX30 | 2 |
| 20 | 00062030000 | BRAKE FLUID DOT5.1 0,25L | 1 |

137601310

C137601310

* NEW PART

X ON DEMAND



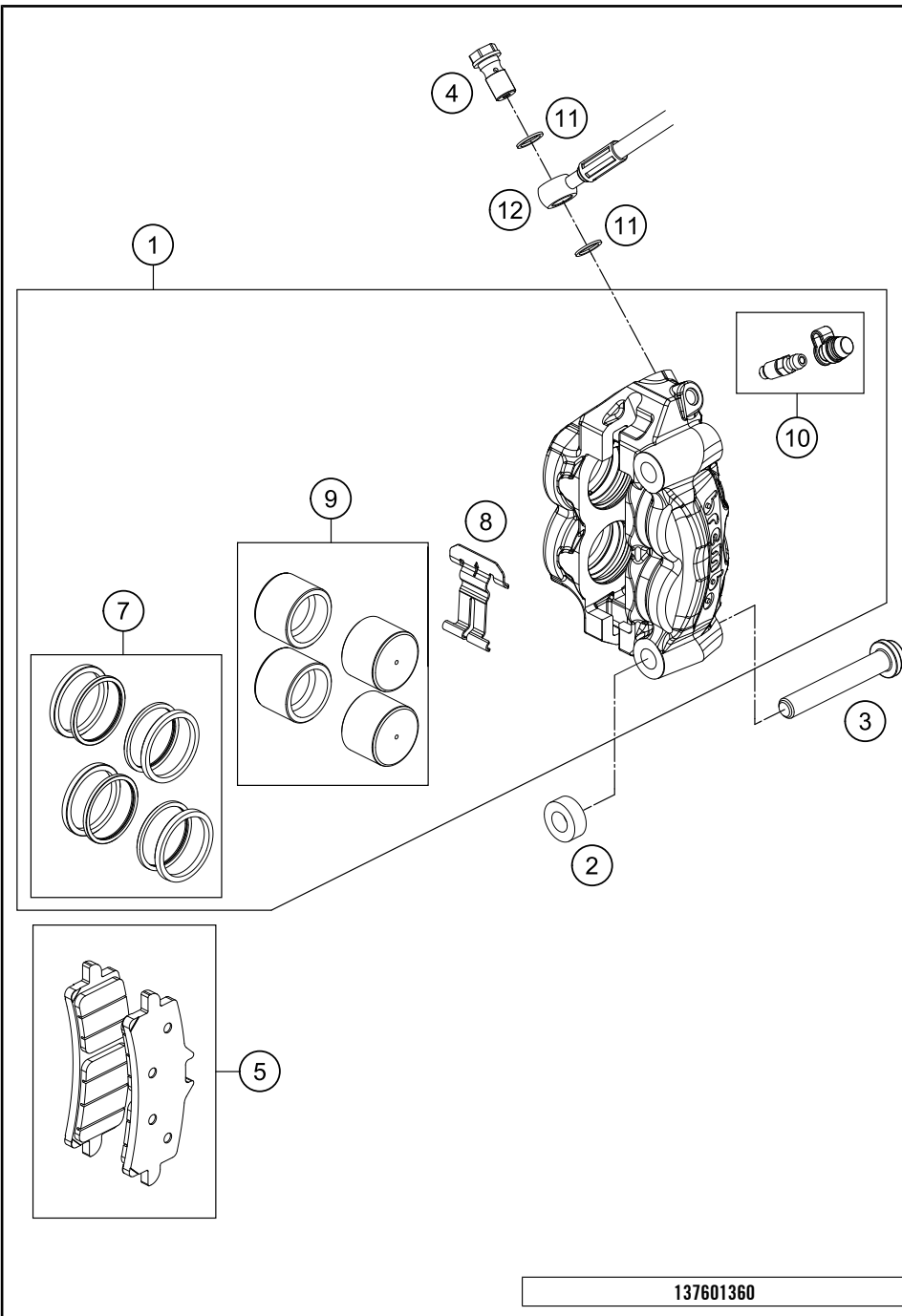
| POS | PARTNUMBER | PARTNAME | PIECE |
|-----|----------------|--------------------------------|-------|
| 1 | 7601305014433S | FOOT BRAKE LEVER CPL. | 1 |
| 2 | 58303060051 | BRAKE LEVER PEDAL DUKE'94 | 1 |
| 3 | 0025060206 | HH COLLAR SCREW M6X20 TX30 | 1 |
| 4 | 0625006087 | GROOVED BALL BEAR. 608 2RS C3 | 2 |
| 5 | 0125080003 | WASHER DIN0125-A 8,4 | 1 |
| 6 | 0019080306S | COUNTER-SUNK SCREW ISA45 M8X30 | 1 |
| 7 | 58303061100 | SPECIAL WASHER ALU 8X24 MM ELO | 1 |
| 8 | 61013052000 | SPRING FOOT BRAKE LEVER 05 | 1 |
| 9 | 0025060206S | HH COLLAR SCREW M6X20 TX30 | 2 |
| 10 | 0934060003 | HEXAGON NUT DIN0934-M 6 | 2 |
| 11 | 54603069000 | SWIVEL HEAD M6 FOOT BRAKE LEV. | 1 |
| 12 | 54603068000 | PRESSURE ROD ALU 250 '90 | 1 |
| 20 | 54513101044 | MAIN BRAKE CYLINDER '89 | 1 |
| 21 | 014580060166 | CYL. SCREW DIN14580 M 6X16 | 2 |
| 22 | 58007017000 | YDNAC CLAMP 10101 (10,4MM) | 2 |
| 23 | 69013069001 | HOSE FOR RESERVOIR 6X1,5 | 1 |
| 24 | 54513030044 | BRAKE FLUID RESERVOIR '89 | 1 |
| 25 | 0024060106 | HH COLLAR SCREW M6X10 TX30 | 1 |
| 26 | 0603100141 | COPPER GASKET DIN7603-10X14X1 | 2 |
| 27 | 76042003000 | BRAKE PIPE | 1 |
| 28 | 62113020100 | HOLL. SCREW M10X1X19.5 | 1 |
| 30 | 54513150000 | REPAIR KIT PISTON 13MM | 1 |
| 31 | 00062030000 | BRAKE FLUID DOT5.1 0,25L | 1 |

167601331

C167601331

* NEW PART

X ON DEMAND



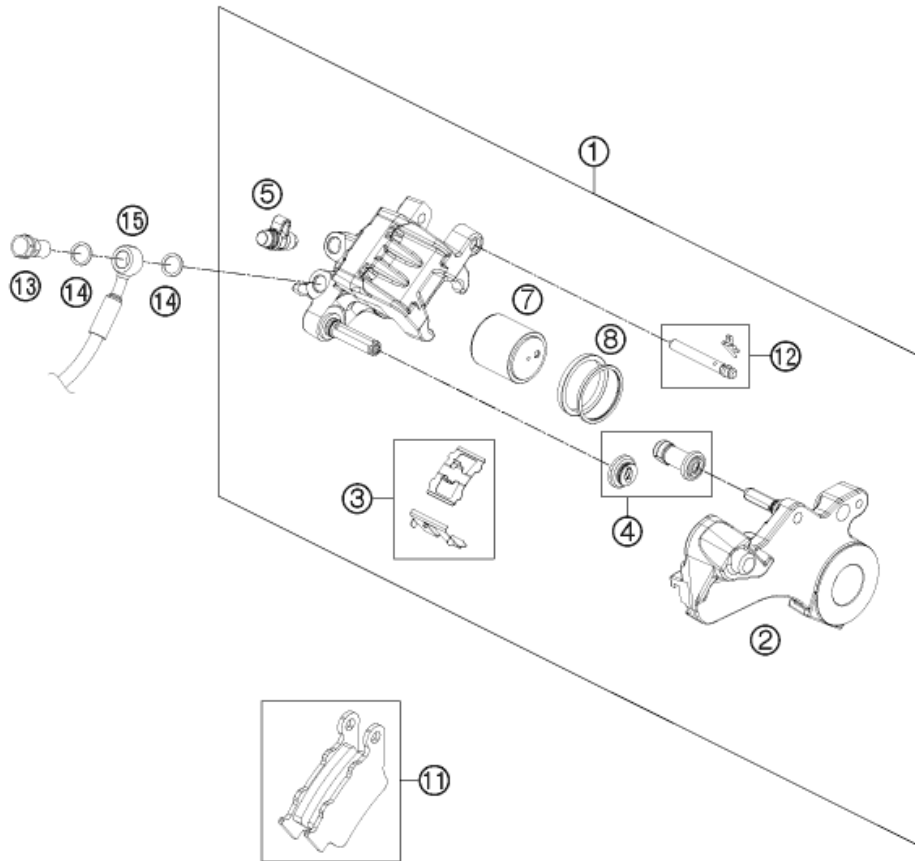
| POS | PARTNUMBER | PARTNAME | PIECE |
|-----|---------------|--------------------------------|-------|
| 1 | 6131301500158 | BRAKE CALIPER FRONT - W/O PADS | 1 |
| 2 | 6111302200033 | SPACER BUSHING 10,1X20X7,5 07 | 2 |
| 3 | 0035100659 | AH-COLLAR SCREW M10X1,25X65 | 2 |
| 4 | 62113020100 | HOLL. SCREW M10X1X19.5 | 1 |
| 5 | 76013030000 | BRAKE PADS TT2910HH | 1 |
| 7 | 61313021000 | SEAL RINGS CPL. | 1 |
| 8 | 69013018000 | SPRING PLATE | 1 |
| 9 | 61313019000 | BRAKE PISTON CPL. | 1 |
| 10 | 61013020100 | BLEEDER SCREW WITH CAP | 1 |
| 11 | 0603100141 | COPPER GASKET DIN7603-10X14X1 | 2 |
| 12 | 76042101000 | BRAKE PIPE | 1 |

137601360

C157601360

* NEW PART

X ON DEMAND



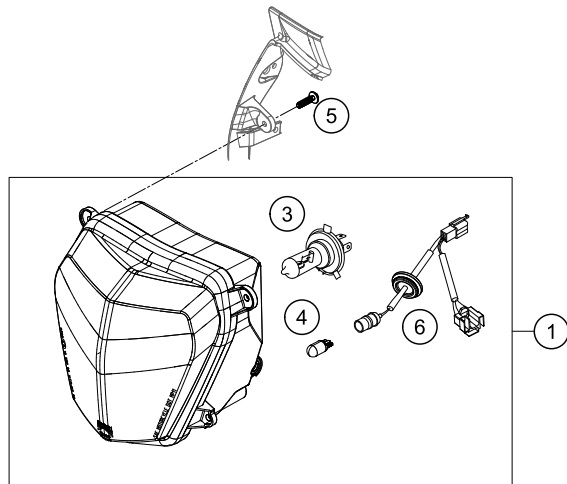
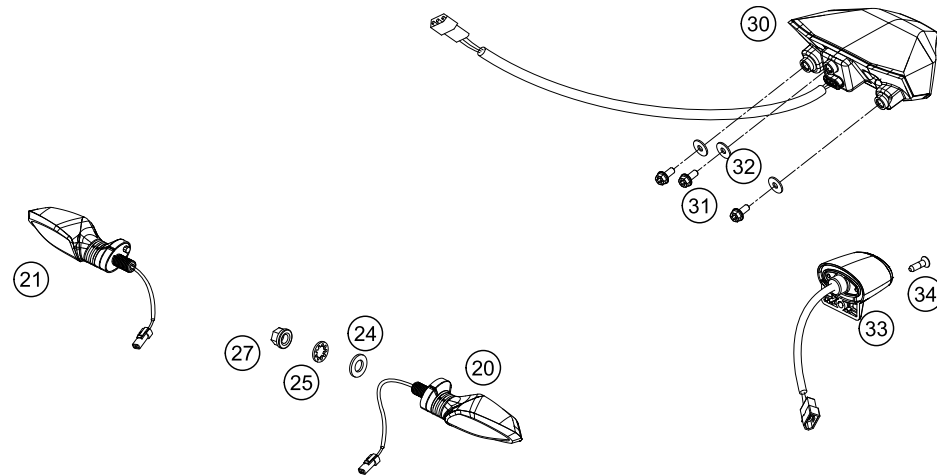
| POS | PARTNUMBER | PARTNAME | PIECE |
|-----|---------------|-------------------------------|-------|
| 1 | 7601308000101 | BRAKE CAL. RE. - WITHOUT PADS | 1 |
| 2 | 7601317500001 | BRAKE CALIPER BRACKET REAR | 1 |
| 3 | 54613311200 | RETAINING SPRING SET | 1 |
| 4 | 54613218000 | CUP SET SHORT | 1 |
| 5 | 61013020200 | BLEEDER SCREW WITH CAP | 1 |
| 7 | 50313083000 | BRAKE PISTON 32MM | 1 |
| 8 | 50313081000 | REPAIR KIT SEALING RINGS 32MM | 1 |
| 11 | 75013090000 | BRAKE PAD SET REAR SBS-S-40GF | 1 |
| 12 | 61013082000 | BOLT SET 05 | 1 |
| 13 | 62113020100 | HOLL. SCREW M10X1X19.5 | 1 |
| 14 | 0603100141 | COPPER GASKET DIN7603-10X14X1 | 2 |
| 15 | 76042004000 | BRAKE PIPE | 1 |

127601390

C157601390

* NEW PART

X ON DEMAND



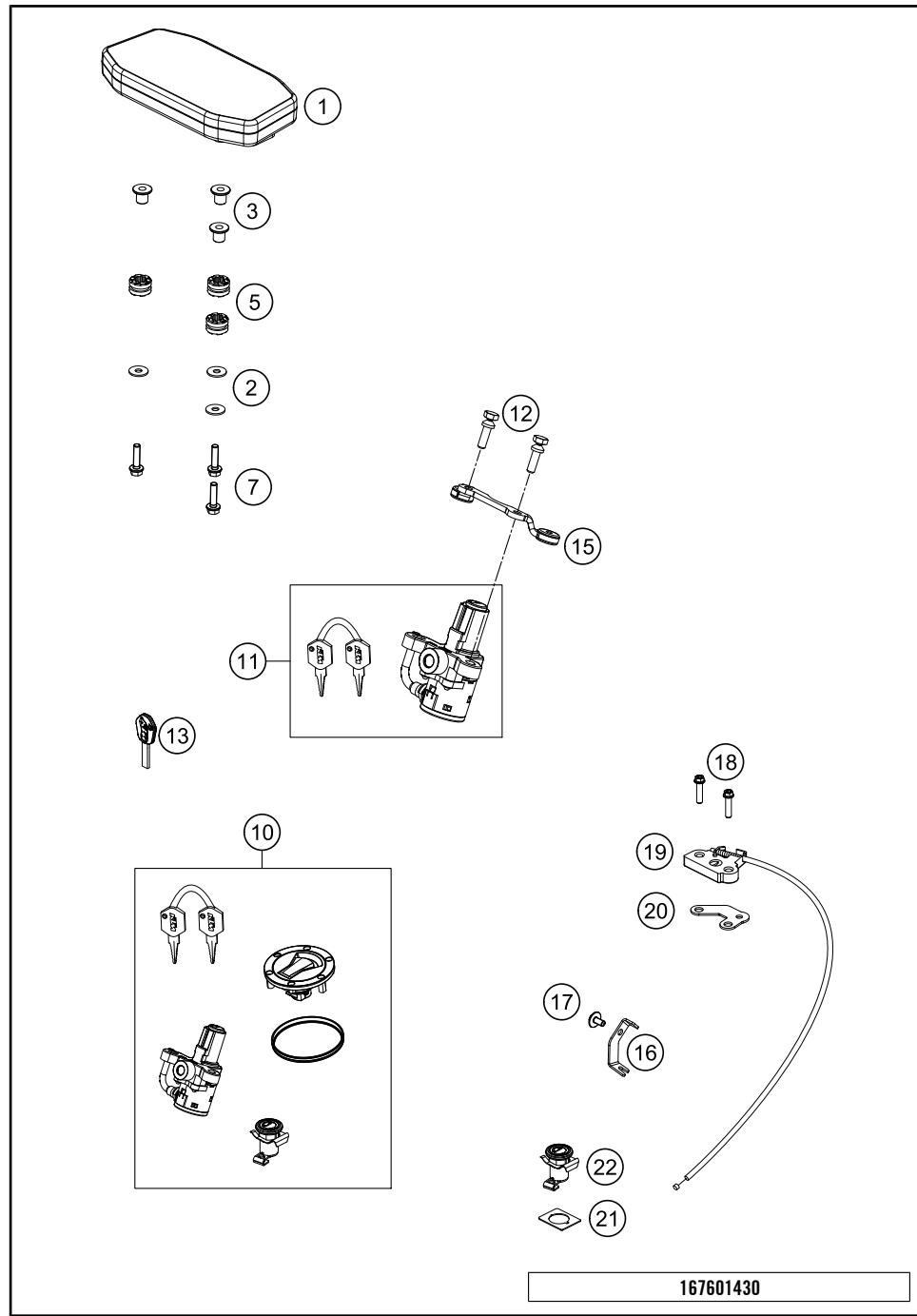
| POS | PARTNUMBER | PARTNAME | PIECE |
|-----|-------------|--------------------------------|-------|
| 1 | 76014001044 | HEAD LIGHT CPL. | 1 |
| 3 | 57111038000 | BULB H4 12V 60/55W (P43T) | 1 |
| 4 | 49011435100 | BULB 12V 5W (W2,1X9,5D) PHIL. | 1 |
| 5 | 0081050181 | SCREW FOR PLASTIC K50X18 T20 | 4 |
| 6 | 76011079000 | HARNESS HEAD LIGHT | 1 |
| 20 | 60314025000 | FLASHER L/S | 2 |
| 21 | 60314026000 | FLASHER R/S | 2 |
| 24 | 0433100003 | WASHER 18x10,5x1,6 | 4 |
| 25 | 0797100003 | LOCK WASHER DIN6797-J10,5 ZI | 4 |
| 27 | 58414030000 | HH COLLAR NUT M10X1,25 WS=13 | 4 |
| 30 | 76014040000 | REAR LIGHT | 1 |
| 31 | 0025050126 | HH COLLAR SCREW M5X12 TX30 | 3 |
| 32 | 0021050003 | WASHER DIN9021-A 5,3 | 3 |
| 33 | 76014047000 | LICENSE PLATE ILLUMINATION LED | 1 |
| 34 | 0081250181 | SCREW FOR PLASTIC 50X18 T20 | 1 |

167601410

C167601410

* NEW PART

X ON DEMAND



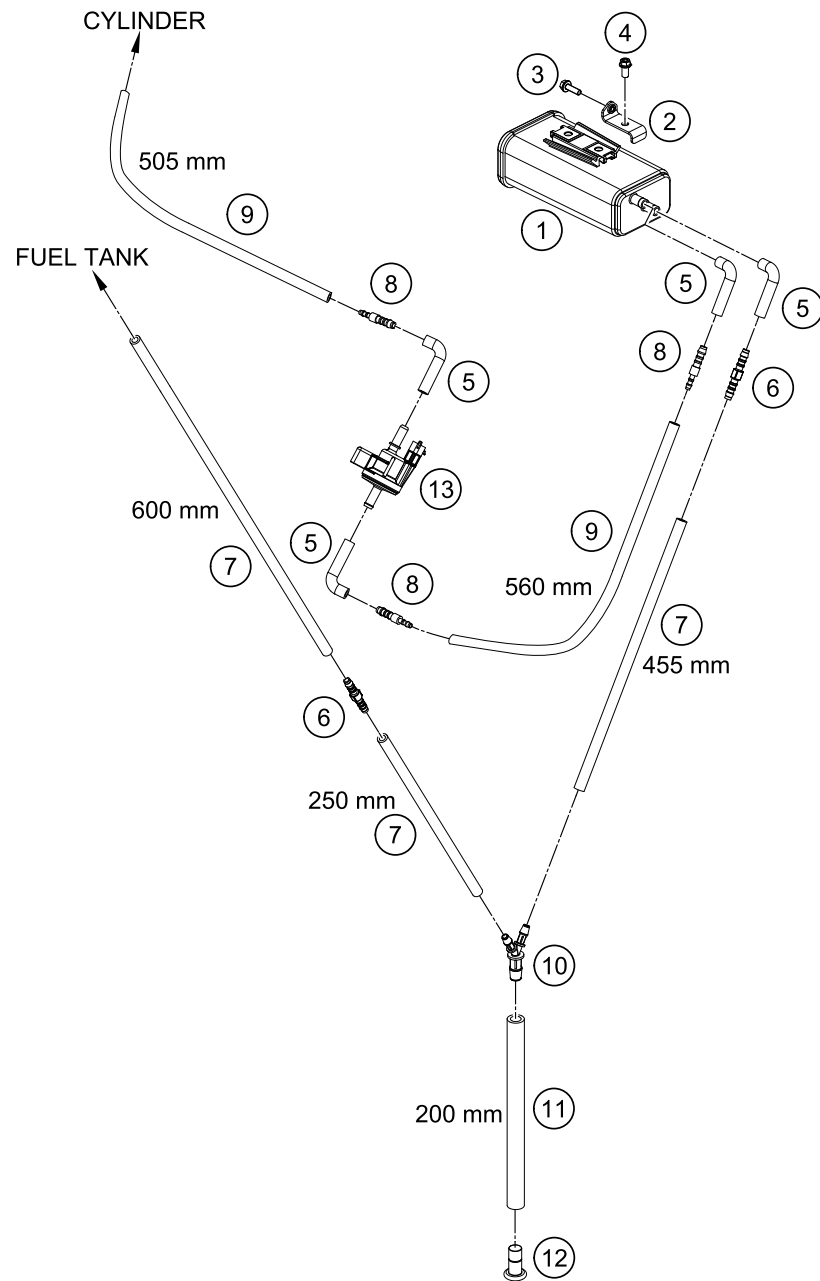
| POS | PARTNUMBER | PARTNAME | PIECE |
|-----|-------------|--------------------------------|-------|
| 1 | 76014269000 | INSTRUMENT PACK | 1 |
| 2 | 0021050003 | WASHER DIN9021-A 5,3 | 3 |
| 3 | 76014069050 | COLLAR BUSHING 5,5X9X15X11,5 | 3 |
| 5 | 61314069051 | DAMP. COMPONENT SPEEDOMETER | 3 |
| 7 | 0025050206 | HH COLLAR SCREW M5X20 TX30 | 3 |
| 10 | 76011066044 | LOCK SET | 1 |
| 11 | 76011066000 | IGNITION + STEERING LOCK | 1 |
| 12 | 76011064000 | TAMPERPROOF SCREW M6 IGN.LOCK | 2 |
| 13 | 76011067100 | BLANK KEY 690 | x |
| 15 | 76011066095 | ALU PLATE IGNITION LOCK COVER | 1 |
| 16 | 76007051000 | SEAT LOCK BRACKET | 1 |
| 17 | 0024060123 | COLLAR SCREW M6X12 TX | 1 |
| 18 | 0025060256 | HH COLLAR SCREW M6X25 TX30 | 2 |
| 19 | 76007050050 | SEAT LOCKING MECHANISM | 1 |
| 20 | 76007052000 | BRACKET SEAT LOCKING MECHANISM | 1 |
| 21 | 76007053000 | ANTI-ROTATION ELEMENT SEATLOCK | 1 |
| 22 | 76007050000 | SEAT LOCK | 1 |

167601430

C167601430

* NEW PART

X ON DEMAND



| POS | PARTNUMBER | PARTNAME | PIECE |
|-----|-------------|-----------------------------|-------|
| 1 | 75015001200 | CARBON CANISTER | 1 |
| 2 | 76015002000 | BRACKET EVAP. CANISTER | 1 |
| 3 | 0025050166 | HH COLLAR SCREW M5X16 TX30 | 1 |
| 4 | 0025060126 | HH COLLAR SCREW M6X12 TX30 | 1 |
| 5 | 61315022000 | PREFORMED HOSE 6X10 FPM | 4 |
| 6 | 69015019010 | HOSE CONNECTION STRAIGHT | 2 |
| 7 | 78015019000 | HOSE EPA D=6/10 L=2000MM | x |
| 8 | 75015023000 | REDUCTION CONNECTION GRS6-4 | 3 |
| 9 | 78015021000 | HOSE EPA D=4/8 L=2000MM | x |
| 10 | 61315028100 | Y-CONNECTOR YS 6-10-6 | 1 |
| 11 | 78015119000 | HOSE EPA D=10/16 L=2000MM | x |
| 12 | 61315026000 | PLUG D=10 | 1 |
| 13 | 76015015000 | VALVE EVAP | 1 |

167601511

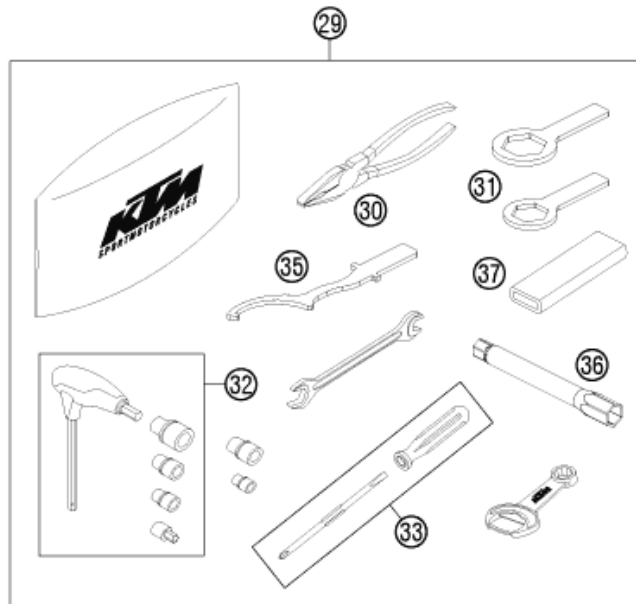
C167601511

* NEW PART

X ON DEMAND

0
OHNE ABBILDUNG
WITHOUT ILLUSTRATION

1
TECHNISCHE DOKUMENTATION
TECHNICAL DOCUMENTATION
DOCUMENTACION TECNICA
DOCUMENTATION TECHNIQUE
NOTE TECNICHE



| POS | PARTNUMBER | PARTNAME | PIECE |
|-----|---------------|--------------------------------|-------|
| 0 | 76008393000 | STICKERKIT PILLIONS.COVER 690R | 1 |
| 0 | 7600705500030 | SOZIUSCOVER BLACK | 1 |
| 0 | 0035080206S | AH-COLLAR SCREW M8X20 ISA45 | 4 |
| 0 | 76008015050 | BUSH NUM. PLATE SUPPORT | 4 |
| 0 | 0025080406 | HH COLLAR SCREW M8X40 TX40 | 1 |
| 0 | 0025080606 | HH COLLAR SCREW M8x60 TX40 | 1 |
| 0 | 62603061000 | SPECIAL WASHER 8X24 ALU H=4,2 | 2 |
| 0 | 0019080456 | COUNTERSUNK SCREW ISA45 M5X45 | 1 |
| 0 | 0019080206S | FLAT HEAD SCREW M. ISA45 M8X20 | 1 |
| 0 | 54630044000 | COLLAR NUT M10 WS=13 | 1 |
| 0 | 014580060126 | CYL. SCREW DIN14580 M 6X12 | 2 |
| 0 | 75609945000 | CRASH PADS FRONT | 1 |
| 0 | 75610945000 | CRASH PADS REAR | 1 |
| 0 | 7600598400030 | EXHAUST BRACKET BLACK | 1 |
| 0 | 62111059060 | COVER POSITIVE POLE | 1 |
| 0 | 12011016000 | WASHER 6 X 12 X 3 | 2 |
| 0 | 0025060166 | HH COLLAR SCREW M6X16 TX30 | 2 |
| 0 | 3212655ENE | POWER WEAR FOLDER 2016 | 1 |
| 0 | 7600690200099 | AIRBOX COVER | 1 |
| 0 | 61112040000 | REVIEW MIRROR L/S 07 | 1 |
| 0 | 61112041000 | REVIEW MIRROR R/S 07 | 1 |
| 0 | 58412040050 | SUPPORT FOR MIRROR LC4 '98 | 2 |
| 0 | 312305 | DOCUMENTS BAG 2006 | 1 |
| 0 | 3210040 | CUSTOMER WELCOME LETTER | 1 |
| 0 | 312313 | KTM BALLPOINT PEN ORANGE | 1 |
| 0 | 58412080000 | % REFLECTOR RED | 1 |
| 0 | 58412080050 | BRACKET FOR REFLECTOR | 1 |
| 0 | 40006006000 | WASHER 6MM | 2 |
| 0 | 0966050163 | OVAL HEAD SCREW DIN0966-M 5X16 | 2 |
| 0 | 0125050003 | WASHER DIN0125-A 5,3 | 2 |
| 0 | 0985050003 | SELF LOCKING NUT DIN0985-M 5 | 2 |
| 0 | 60012081200 | LICENCE FITTING 06 | 1 |
| 0 | 0024060156 | HH COLLAR SCREW M6X15 TX30 | 4 |
| 0 | 0985060003 | SELF LOCK. NUT DIN0985-M 6 | 4 |
| 0 | 0021060003 | WASHER DIN9021-A 6,4 | 4 |
| 0 | 00063099111 | BAG FOR INSTR. MANUAL 245X170 | 1 |
| 0 | 00063004202 | PRINT LABEL 60X51 MM | 1 |
| 0 | 76011053100 | BATTERY 12V/8AH | 1 |

127602000

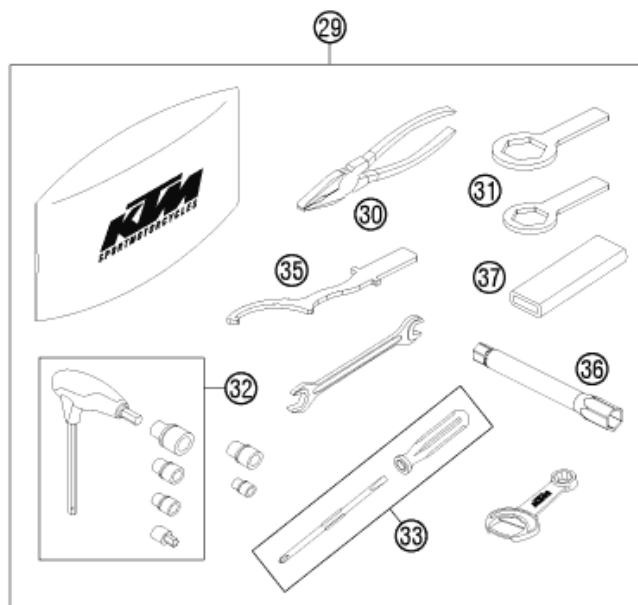
C167602001

* NEW PART

X ON DEMAND

0
OHNE ABBILDUNG
WITHOUT ILLUSTRATION

1
TECHNISCHE DOKUMENTATION
TECHNICAL DOCUMENTATION
DOCUMENTACION TECNICA
DOCUMENTATION TECHNIQUE
NOTE TECNICHE



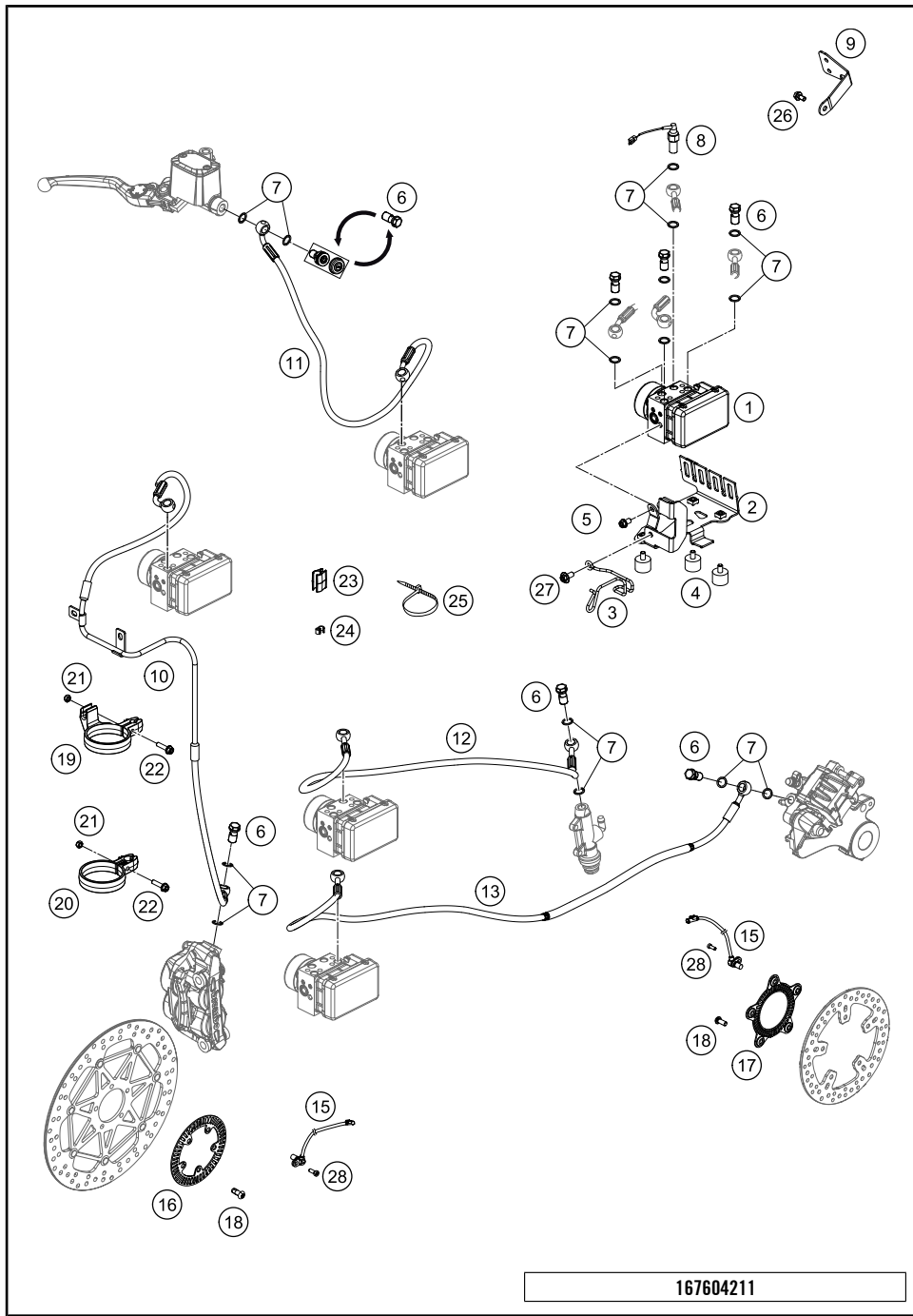
| POS | PARTNUMBER | PARTNAME | PIECE |
|-----|--------------|-------------------------------|-------|
| 0 | 3212623DE/GB | PP STREET FOLDER 2015 | 1 |
| 0 | 61308192000 | STICKER SET FORK WP SMALL | 1 |
| 0 | 00063004012 | HEADLIGHT MASK BOX | 2 |
| 1 | 3213397EN | OWN. MAN. 690 DUKE/DUKE-R 16 | 1 |
| 29 | 76029099000 | ORIGINAL EQUIPMENT TOOL KIT | 1 |
| 30 | 53012028200 | GRIP ORANGE B&F | 1 |
| 31 | 76029063000 | RING WRENCH SW27 | 1 |
| 31 | 60012060032 | RING WRENCH 32MM | 1 |
| 32 | 60029070300 | T-WRENCH WS=6/8/10/TX45/SK4X1 | 1 |
| 33 | 53012024100 | SCREW DRIVER L=105MM | 1 |
| 35 | 76029062000 | HOOK WRENCH F. SHOCK ABSORBER | 1 |
| 36 | 75029072000 | SPARK PLUG WRENCH | 1 |
| 37 | 60012060000 | GRIP FOR RING WRENCH | 1 |

127602000

C167602001

* NEW PART

X ON DEMAND

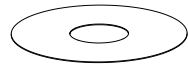


| POS | PARTNUMBER | PARTNAME | PIECE |
|-----|--------------|--------------------------------|-------|
| 1 | 76042131044 | ABS-MODULE FILLED | 1 |
| 2 | 76042040100 | ABS MOUNTING CPL. | 1 |
| 3 | 76042001150 | BRAKE PIPE GUIDE | 1 |
| 4 | 43205062100 | RUBBER GROMMET 20X15-M6X10 (1) | 3 |
| 5 | 0025050106 | COLLAR SCREW M5X10 ISA30 | 2 |
| 6 | 62113020100 | HOLL. SCREW M10X1X19.5 | 7 |
| 7 | 0603100141 | COPPER GASKET DIN7603-10X14X1 | 16 |
| 8 | 62111051000 | BRAKE LIGHT SWITCH REAR | 1 |
| 9 | 76042080050 | ABS RELAY BRACKET | 1 |
| 10 | 76042101000 | BRAKE PIPE | 1 |
| 11 | 76042102000 | BRAKE PIPE | 1 |
| 12 | 76042003100 | BRAKE HOSE | 1 |
| 13 | 76042004100 | BRAKE PIPE | 1 |
| 15 | 76042125000 | ABS-SENSOR | 2 |
| 16 | 76042020000 | SENSORGEAR FRONT | 1 |
| 17 | 76042021000 | SENSORGEAR REAR | 1 |
| 18 | 76009062000 | SPECIAL SCREW M8X25 SS TX40 | 10 |
| 19 | 76001071100 | CLAMPING BRAKE PIPE | 1 |
| 20 | 76001170100 | CLAMPING BRAKE PIPE | 1 |
| 21 | 0985050003 | SELF LOCKING NUT DIN0985-M 5 | 2 |
| 22 | 0025050206 | HH COLLAR SCREW M5X20 TX30 | 2 |
| 23 | 54813026100 | CABLE SUPPORT 10/4MM 2014 | 2 |
| 24 | 60111094100 | BAR SPACER 4/7 BLACK | 4 |
| 25 | 44011076200 | CABLE TIE 200/3,6MM BLACK | x |
| 25 | 44011076305 | CABLE TIE 300/4,8MM BLACK | x |
| 26 | 0025060106 | HH COLLAR SCREW M6X10 TX30 | 1 |
| 27 | 0024060136 | HH COLLAR SCREW M6X13 TX30 | 1 |
| 28 | 014580060166 | CYL. SCREW DIN14580 M 6X16 | 2 |

C167604211

C167604211

* NEW PART X ON DEMAND



3H, DELTA, T

- ⑤ Ø 5 mm
- ⑥ Ø 6 mm
- ⑧ Ø 8 mm
- ⑩ Ø 10 mm
- ⑫ Ø 12 mm
- ⑭ Ø 14-14,5 mm
- ⑯ Ø 16 mm
- ⑳ Ø 20 mm
- ㉑ Ø 21 mm
- ㉒ Ø 22 mm
- ㉓ Ø 23 mm
- ㉔ Ø 24,5 mm
- ㉘ Ø 28,5 mm
- ㉚ Ø 32 mm
- ㉜ Ø 52 mm

| POS | PARTNUMBER | PARTNAME | PIECE |
|-----|------------|---------------------|-------|
| 5 | 44906890 | WASHER 5X15X2 | X |
| 6 | 40540400 | SHIM 6X12X0,1 | X |
| 6 | 40540401 | SHIM 6X14X0,1 | X |
| 6 | 40540402 | SHIM 6X16X0,1 | X |
| 6 | 40540403 | SHIM 6X18X0,1 | X |
| 6 | 40540404 | SHIM 6X12X0,15 | X |
| 6 | 40540405 | SHIM 6X14X0,15 | X |
| 6 | 40540406 | SHIM 6X16X0,15 | X |
| 6 | 40540407 | SHIM 6X18X0,15 | X |
| 6 | 40540408 | SHIM 6X12X0,2 | X |
| 6 | 40540409 | SHIM 6X14X0,2 | X |
| 6 | 40540410 | SHIM 6X16X0,2 | X |
| 6 | 40540411 | SHIM 6X18X0,2 | X |
| 6 | 48600095 | * SHIM 6X20X0,20 | X |
| 6 | 40540412 | SHIM 6X12X0,25 | X |
| 6 | 40540413 | SHIM 6X14X0,25 | X |
| 6 | 40540414 | SHIM 6X16X0,25 | X |
| 6 | 40540415 | SHIM 6X18X0,25 | X |
| 6 | 40540417 | SHIM 6X8,5X0,10 | X |
| 6 | 40540418 | SHIM 6X9X0,10 | X |
| 6 | 40540419 | SHIM 6X9,5X0,10 | X |
| 6 | 40540423 | SHIM 6X9,5X0,15 | X |
| 6 | 40540425 | SHIM 6X8,5X0,20 | X |
| 6 | 40540426 | SHIM 6X9X0,20 | X |
| 6 | 40540427 | SHIM 6X9,5X0,20 | X |
| 6 | 40540447 | SHIM 6X10X0,3 | X |
| 6 | 40540449 | SHIM 6X9X0,3 | X |
| 6 | 40540450 | SHIM 6X9,5X0,3 | X |
| 6 | 40540494 | SHIM 6X18X0,4 | X |
| 6 | 40540774 | SHIM 6X18X0,1 DELTA | X |
| 6 | 40541383 | SHIM 6X11X0,1 | X |
| 6 | 40541391 | SHIM 6X11X0,3 | X |
| 6 | 40541402 | SHIM 6X11X0,2 | X |
| 6 | 40541403 | SHIM 6X10X0,20 | X |
| 6 | 40541404 | SHIM 6X10X0,1 | X |
| 6 | 40541405 | SHIM 6X10X0,15 | X |
| 6 | 40541406 | SHIM 6X11X0,15 | X |
| 6 | 40541408 | SHIM 6X8,0X0,30 | X |

080000190

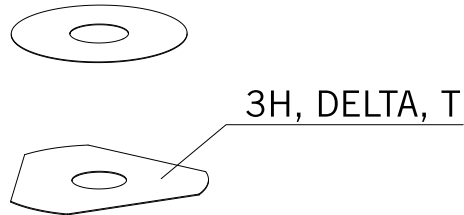
C130009090

* NEW PART

X ON DEMAND



- ⑤ Ø 5 mm
- ⑥ Ø 6 mm
- ⑧ Ø 8 mm
- ⑩ Ø 10 mm
- ⑫ Ø 12 mm
- ⑭ Ø 14-14,5 mm
- ⑯ Ø 16 mm
- ⑳ Ø 20 mm
- ㉑ Ø 21 mm
- ㉒ Ø 22 mm
- ㉓ Ø 23 mm
- ㉔ Ø 24,5 mm
- ㉘ Ø 28,5 mm
- ㉚ Ø 32 mm
- ㉜ Ø 52 mm



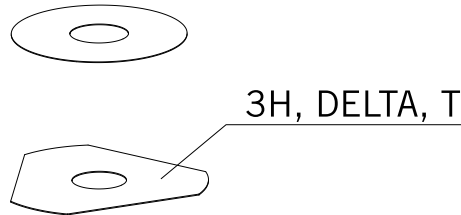
| POS | PARTNUMBER | PARTNAME | PIECE |
|-----|------------|----------------------|-------|
| 6 | 40541414 | SHIM 6X8,0X0,10 | X |
| 6 | 40541416 | SHIM 6X8X0,3 | X |
| 6 | 40541417 | SHIM 6X11X0,25 | X |
| 6 | 48600102 | * SHIM 6X24X0,25 | X |
| 6 | 48600063 | SHIM 6X24X0,1 | X |
| 6 | 48600064 | SHIM 6X22X0,1 | X |
| 6 | 48600065 | SHIM 6X20X0,1 | X |
| 6 | 48600069 | SHIM 6X20X0,15 | X |
| 6 | 48600100 | SHIM 6X24X0,15 | X |
| 6 | 48600116 | SHIM 6X24X0,1 DELTA | X |
| 6 | 48600139 | SHIM 6X22X0,1 DELTA | X |
| 6 | 48600217 | BACKPLATE 6X10X0,25 | X |
| 6 | 48600325 | SHIM 6X13X0,1 | X |
| 6 | 48600327 | SHIM 6X15X0,1 | X |
| 6 | 48600329 | SHIM 6X17X0,1 | X |
| 6 | 48600331 | SHIM 6X19X0,1 | X |
| 6 | 48600096 | * SHIM 6X20X0,25 | X |
| 6 | 48600097 | SHIM 6X22X0,15 | X |
| 6 | 48600099 | * SHIM 6X22X0,25 | X |
| 6 | 40540448 | BACKPLATE 6X8,5X0,30 | X |
| 6 | 48600479 | SHIM 6X20X0,1 T/3H | X |
| 6 | 48600332 | SHIM 6X21X0,1 | X |
| 6 | 48600333 | SHIM 6X23X0,1 | X |
| 6 | 40541393 | * SHIM 6X12X0,3 | X |
| 6 | 48600330 | SHIM 6X17X0,15 | X |
| 6 | 48600988 | SHIM 6X28X0,10 | X |
| 6 | 48600989 | SHIM 6X26X0,10 | X |
| 6 | 48601091 | SHIM 6X28X0,15 | X |
| 6 | 48601093 | SHIM 6X26X0,15 | X |
| 6 | 48600328 | SHIM 6X15X0,15 | X |
| 6 | 48600326 | SHIM 6X13X0,15 | X |
| 6 | 48601548 | SHIM 6X17X1,5 | X |
| 6 | 48601693 | SHIM 6X18X3 | X |
| 6 | 48600098 | * SHIM 6X22X0,20 | X |
| 6 | 48601300 | WASHER 6X25X1,5 | X |
| 6 | 48601692 | SHIM 6X30X0,15 | X |
| 6 | 48601550 | SHIM 6X30X0,10 | X |
| 8 | 40540477 | SHIM 8X18X0,4 | X |

080000190

C130009090

* NEW PART

X ON DEMAND



- ⑤ Ø 5 mm
- ⑥ Ø 6 mm
- ⑧ Ø 8 mm
- ⑩ Ø 10 mm
- ⑫ Ø 12 mm
- ⑭ Ø 14-14,5 mm
- ⑯ Ø 16 mm
- ⑳ Ø 20 mm
- ㉑ Ø 21 mm
- ㉒ Ø 22 mm
- ㉓ Ø 23 mm
- ㉔ Ø 24,5 mm
- ㉘ Ø 28,5 mm
- ㉚ Ø 32 mm
- ㉜ Ø 52 mm

| POS | PARTNUMBER | PARTNAME | PIECE |
|-----|------------|------------------------|-------|
| 8 | 43570120 | SHIM 8X18X0,10 | X |
| 8 | 44916098 | WASHER 8,4X16X0,8 | X |
| 8 | 44916130 | WASHER 8,2X15X1 | X |
| 8 | 44916180 | WASHER 8,2X11X1 | X |
| 8 | 48600214 | SHIM 8X16X0,1 | X |
| 8 | 48600385 | SHIM 8x14x0.25 | X |
| 8 | 48600346 | SHIM 8X11X0,2 | X |
| 8 | 48600215 | CHECK VALVE 8X20X0,1 | X |
| 8 | 48600485 | SHIM 8X10X0,10 | X |
| 8 | 48601402 | SHIM 8X13X0,10 | X |
| 8 | 48600350 | CHECK VALVE 8X16X0,15 | X |
| 8 | 48600061 | CHECK VALVE 8X24X0,4 | X |
| 8 | 48600062 | CHECK VALVE 8X24X0,1 | X |
| 8 | 48600216 | CHECK VALVE 8X22X0,1 | X |
| 8 | 48600480 | SHIM 8X10X0,20 | X |
| 8 | 48600555 | SHIM 8X16X0,20 | X |
| 8 | 48600213 | SHIM 8X14X0,10 | X |
| 8 | 48600357 | CHECK VALVE 8X11X0,1 | X |
| 8 | 48600351 | CHECK VALVE 8X12X0,1 | X |
| 8 | 48600607 | Steering damper washer | X |
| 8 | 48601095 | SHIM 8X17X0,10 | X |
| 8 | 48600352 | CHECK VALVE 8X11X0,4 | X |
| 10 | 36120284 | SHIM 10X16X0,10 | X |
| 10 | 36120298 | SHIM 10X16X0,2 | X |
| 10 | 36120312 | SHIM 10X16X0,30 | X |
| 10 | 36120314 | SHIM 10X18X0,30 | X |
| 10 | 36120325 | SHIM 10X19X0,15 | X |
| 10 | 36120327 | SHIM 10X23X0,15 | X |
| 10 | 36120328 | SHIM 10X25X0,15 | X |
| 10 | 36120329 | SHIM 10X27X0,15 | X |
| 10 | 36120330 | SHIM 10X29X0,15 | X |
| 10 | 36120331 | SHIM 10X31X0,15 | X |
| 10 | 36120332 | SHIM 10X33X0,15 | X |
| 10 | 36120334 | SHIM 10X21X0,20 | X |
| 10 | 36120335 | SHIM 10X23X0,20 | X |
| 10 | 36120336 | SHIM 10X25X0,20 | X |
| 10 | 36120337 | SHIM 10X27X0,20 | X |
| 10 | 36120338 | SHIM 10X29X0,20 | X |

080000190

C130009090

* NEW PART

X ON DEMAND



- ⑤ Ø 5 mm
- ⑥ Ø 6 mm
- ⑧ Ø 8 mm
- ⑩ Ø 10 mm
- ⑫ Ø 12 mm
- ⑭ Ø 14-14,5 mm
- ⑯ Ø 16 mm
- ⑳ Ø 20 mm
- ㉑ Ø 21 mm
- ㉒ Ø 22 mm
- ㉓ Ø 23 mm
- ㉔ Ø 24,5 mm
- ㉘ Ø 28,5 mm
- ㉚ Ø 32 mm
- ㉜ Ø 52 mm



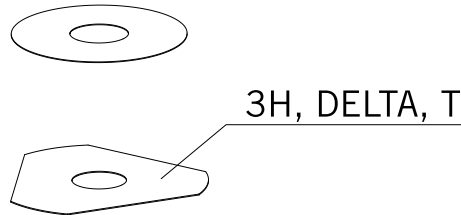
| POS | PARTNUMBER | PARTNAME | PIECE |
|-----|------------|-------------------|-------|
| 10 | 36120339 | SHIM 10X31X0,20 | X |
| 10 | 36120340 | SHIM 10X33X0,20 | X |
| 10 | 36120342 | SHIM 10X21X0,25 | X |
| 10 | 36120343 | SHIM 10X23X0,25 | X |
| 10 | 36120344 | SHIM 10X25X0,25 | X |
| 10 | 36120345 | SHIM 10X27X0,25 | X |
| 10 | 36120349 | SHIM 10X19X0,30 | X |
| 10 | 36120350 | SHIM 10X21X0,30 | X |
| 10 | 36120313 | * SHIM 10X17X0,30 | X |
| 10 | 36120354 | * SHIM 10X29X0,30 | X |
| 10 | 40140275 | WASHER 10X35X0,15 | X |
| 10 | 48601708 | SHIM 10X30X0,40 | X |
| 10 | 36120346 | * SHIM 10X29X0,25 | X |
| 10 | 36120355 | * SHIM 10X31X0,30 | X |
| 10 | 36120348 | * SHIM 10X33X0,25 | X |
| 10 | 36120604 | SHIM D10XD22X2,5 | X |
| 12 | 46810490 | SHIM 12X24X0,20 | X |
| 12 | 46810491 | SHIM 12X26X0,20 | X |
| 12 | 46810492 | SHIM 12X28X0,20 | X |
| 12 | 46810493 | SHIM 12X30X0,20 | X |
| 12 | 46810494 | SHIM 12X32X0,20 | X |
| 12 | 46810495 | SHIM 12X34X0,20 | X |
| 12 | 46810496 | SHIM 12X36X0,20 | X |
| 12 | 46810497 | SHIM 12X38X0,20 | X |
| 12 | 46810498 | SHIM 12X40X0,20 | X |
| 12 | 46810499 | SHIM 12X24X0,25 | X |
| 12 | 46810500 | SHIM 12X26X0,25 | X |
| 12 | 46810501 | SHIM 12X28X0,25 | X |
| 12 | 46810502 | SHIM 12X30X0,25 | X |
| 12 | 46810504 | SHIM 12X34X0,25 | X |
| 12 | 46810505 | SHIM 12X36X0,25 | X |
| 12 | 46810507 | SHIM 12X40X0,25 | X |
| 12 | 46810508 | SHIM 12X24X0,30 | X |
| 12 | 46810509 | SHIM 12X26X0,30 | X |
| 12 | 46810510 | SHIM 12X28X0,30 | X |
| 12 | 46810512 | SHIM 12X32X0,30 | X |
| 12 | 46810513 | SHIM 12X34X0,30 | X |
| 12 | 46810518 | SHIM 12X26X0,15 | X |

080000190

C130009090

* NEW PART

X ON DEMAND



- ⑤ Ø 5 mm
- ⑥ Ø 6 mm
- ⑧ Ø 8 mm
- ⑩ Ø 10 mm
- ⑫ Ø 12 mm
- ⑭ Ø 14-14,5 mm
- ⑯ Ø 16 mm
- ⑳ Ø 20 mm
- ㉑ Ø 21 mm
- ㉒ Ø 22 mm
- ㉓ Ø 23 mm
- ㉔ Ø 24,5 mm
- ㉘ Ø 28,5 mm
- ㉚ Ø 32 mm
- ㉞ Ø 52 mm

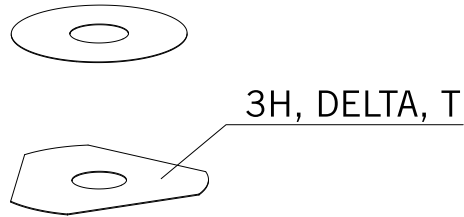
| POS | PARTNUMBER | PARTNAME | PIECE |
|-----|------------|----------------------|-------|
| 12 | 46810519 | SHIM 12X28X0,15 | X |
| 12 | 46810520 | SHIM 12X30X0,15 | X |
| 12 | 46810521 | SHIM 12X32X0,15 | X |
| 12 | 46810522 | SHIM 12X34X0,15 | X |
| 12 | 46810523 | SHIM 12X36X0,15 | X |
| 12 | 46810524 | SHIM 12X38X0,15 | X |
| 12 | 46810525 | SHIM 12X40X0,15 | X |
| 12 | 46810604 | SHIM 12X20X0,10 | X |
| 12 | 46810606 | SHIM 12X22X0,10 | X |
| 12 | 46810607 | SHIM 12X23X0,10 | X |
| 12 | 46810608 | SHIM 12X24X0,10 | X |
| 12 | 46810610 | SHIM 12X27X0,15 | X |
| 12 | 46810611 | SHIM 12X18X0,15 | X |
| 12 | 46810612 | SHIM 12X19X0,15 | X |
| 12 | 46810615 | SHIM 12X22X0,15 | X |
| 12 | 46810636 | BACKPLATE 12X16X0,30 | X |
| 12 | 46810637 | BACKPLATE 12X17X0,30 | X |
| 12 | 46810638 | BACKPLATE 12X18X0,30 | X |
| 12 | 46810639 | SHIM 12X19X0,30 | X |
| 12 | 46810641 | BACKPLATE 12X21X0,30 | X |
| 12 | 46811582 | BACKPLATE 12X30X0,10 | X |
| 12 | 46810631 | SHIM 12X20X0,25 | X |
| 12 | 46810633 | SHIM 12X22X0,25 | X |
| 12 | 46811580 | SHIM 12X32X0,10 | X |
| 12 | 46810503 | SHIM 12X32X0,25 | X |
| 12 | 46810517 | * SHIM 12X24X0,15 | X |
| 12 | 46810856 | * SHIM 12X20X0,3 CC | X |
| 12 | 46811258 | RING 12X24X2,5 | X |
| 12 | 46812018 | SHIM 12X42X0,25 | X |
| 12 | 46812015 | SHIM 12X44X0,20 | X |
| 12 | 46810613 | * SHIM 12X20X0,15 | X |
| 12 | 46810623 | * SHIM 12X21X0,20 | X |
| 12 | 46810624 | * SHIM 12X22X0,20 | X |
| 12 | 46810642 | * SHIM 12X22X0,30 | X |
| 12 | 46810643 | * SHIM 12X23X0,30 | X |
| 12 | 46811629 | * SHIM 12X28X0,10 | X |
| 12 | 46810511 | * SHIM 12X30X0,30 | X |
| 12 | 46810514 | * SHIM 12X36X0,30 | X |

080000190

C130009090

* NEW PART

X ON DEMAND



- ⑤ Ø 5 mm
- ⑥ Ø 6 mm
- ⑧ Ø 8 mm
- ⑩ Ø 10 mm
- ⑫ Ø 12 mm
- ⑭ Ø 14-14,5 mm
- ⑯ Ø 16 mm
- ⑳ Ø 20 mm
- ㉑ Ø 21 mm
- ㉒ Ø 22 mm
- ㉓ Ø 23 mm
- ㉔ Ø 24,5 mm
- ㉘ Ø 28,5 mm
- ㉚ Ø 32 mm
- ㉜ Ø 52 mm

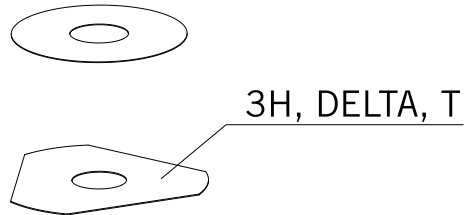
| POS | PARTNUMBER | PARTNAME | PIECE |
|-----|------------|----------------------|-------|
| 12 | 46810506 | * SHIM 12X38X0,25 | X |
| 12 | 46810515 | * SHIM 12X38X0,30 | X |
| 12 | 46812017 | SHIM 12X42X0,20 | X |
| 12 | 46812016 | SHIM 12X44X0,25 | X |
| 14 | 46811046 | SHIM 14,5X35,4X1,25 | X |
| 16 | 50180023 | * SHIM 16X23X0,20 | X |
| 16 | 50180030 | SHIM | X |
| 16 | 50180006 | BACKPLATE 16X20X0,10 | X |
| 16 | 50180007 | SHIM 16X21X0,10 | X |
| 16 | 50180028 | SHIM 16X21X0,25 | X |
| 16 | 50180210 | WASHER 16X21X1 | X |
| 16 | 50180008 | SHIM 16X22X0,10 | X |
| 16 | 50180022 | SHIM 16X22X0,20 | X |
| 16 | 50180037 | SHIM 16X23X0,30 | X |
| 16 | 50180038 | SHIM 16X24X0,30 | X |
| 16 | 50180032 | SHIM 15X25X0,25 | X |
| 16 | 50180039 | SHIM 16X25X0,30 | X |
| 16 | 50180012 | SHIM 16X26X0,10 | X |
| 16 | 50180019 | SHIM 16X26X0,15 | X |
| 16 | 50180026 | SHIM 16X26X0,20 | X |
| 16 | 50180040 | SHIM 16X26X0,30 | X |
| 16 | 50180041 | SHIM 16X28X0,10 | X |
| 16 | 50180045 | SHIM 16X28X0,15 | X |
| 16 | 50180054 | SHIM 16X28X0,20 | X |
| 16 | 50180063 | SHIM 16X28X0,25 | X |
| 16 | 50180072 | SHIM 16X28X0,30 | X |
| 16 | 50180046 | SHIM 16X30X0,15 | X |
| 16 | 50180055 | SHIM 16X30X0,20 | X |
| 16 | 50180064 | SHIM 16X30X0,25 | X |
| 16 | 50180073 | SHIM 16X30X0,30 | X |
| 16 | 50180047 | SHIM 16X32X0,15 | X |
| 16 | 50180056 | SHIM 16X32X0,20 | X |
| 16 | 50180065 | SHIM 16X32X0,25 | X |
| 16 | 50180074 | SHIM 16X32X0,30 | X |
| 16 | 50180044 | SHIM 16X34X0,10 | X |
| 16 | 50180048 | SHIM 16X34X0,15 | X |
| 16 | 50180057 | SHIM 16X34X0,20 | X |
| 16 | 50180066 | SHIM 16X34X0,25 | X |

080000190

C130009090

* NEW PART

X ON DEMAND



- ⑤ Ø 5 mm
- ⑥ Ø 6 mm
- ⑧ Ø 8 mm
- ⑩ Ø 10 mm
- ⑫ Ø 12 mm
- ⑭ Ø 14-14,5 mm
- ⑯ Ø 16 mm
- ⑳ Ø 20 mm
- ㉑ Ø 21 mm
- ㉒ Ø 22 mm
- ㉓ Ø 23 mm
- ㉔ Ø 24,5 mm
- ㉘ Ø 28,5 mm
- ㉚ Ø 32 mm
- ㉜ Ø 52 mm

| POS | PARTNUMBER | PARTNAME | PIECE |
|-----|------------|-----------------------------|-------|
| 16 | 50180075 | SHIM 16X34X0,30 | X |
| 16 | 50180049 | SHIM 16X36X0,15 | X |
| 16 | 50180058 | SHIM 16X36X0,20 | X |
| 16 | 50180067 | SHIM 16X36X0,25 | X |
| 16 | 50180076 | SHIM 16X36X0,30 | X |
| 16 | 50180050 | SHIM 16X38X0,15 | X |
| 16 | 50180059 | SHIM 16X38X0,20 | X |
| 16 | 50180068 | SHIM 16X38X0,25 | X |
| 16 | 50180077 | SHIM 16X38X0,30 | X |
| 16 | 50180051 | SHIM 16X40X0,15 | X |
| 16 | 50180060 | SHIM 16X40X0,20 | X |
| 16 | 50180069 | SHIM 16X40X0,25 | X |
| 16 | 50180078 | SHIM 16X40X0,30 | X |
| 16 | 50180052 | SHIM 16X42X0,15 | X |
| 16 | 50180061 | SHIM 16X42X0,20 | X |
| 16 | 50180070 | SHIM 16X42X0,25 | X |
| 16 | 50180079 | SHIM 16X42X0,30 | X |
| 16 | 50180053 | SHIM 16X44X0,15 | X |
| 16 | 50180062 | SHIM 16X44X0,20 | X |
| 16 | 50180071 | SHIM 16X44X0,25 | X |
| 16 | 50180080 | SHIM 16X44X0,30 | X |
| 16 | 50180177 | WASHER 16X8,2X0,6 | X |
| 16 | 50180033 | SHIM 16X26X0,25 | X |
| 16 | 50180034 | BACKPLATE 16X20X0,30 | X |
| 16 | 50180035 | BACKPLATE 16X21X0,30 | X |
| 16 | 50180036 | BACKPLATE 16X22X0,30 | X |
| 16 | 50180043 | SHIM | X |
| 16 | 50180024 | * SHIM 16X24X0,20 | X |
| 16 | 50180027 | * SHIM 16X20X0,25 | X |
| 16 | 50180031 | SHIM | X |
| 16 | 50180029 | SHIM | X |
| 16 | 50180010 | * SHIM 16X24X0,10 | X |
| 20 | 48600212 | PRESSURE-RING 20X16,25X0,20 | X |
| 20 | 50180666 | SHIM 20X24X0,30 | X |
| 20 | 50180654 | SHIM 20X36X0,20 | X |
| 20 | 50180655 | SHIM 20X38X0,20 | X |
| 20 | 50180656 | SHIM 20X40X0,20 | X |
| 20 | 50180665 | SHIM 20X40X0,25 | X |

080000190

C130009090

* NEW PART

X ON DEMAND



3H, DELTA, T

- ⑤ Ø 5 mm
- ⑥ Ø 6 mm
- ⑧ Ø 8 mm
- ⑩ Ø 10 mm
- ⑫ Ø 12 mm
- ⑭ Ø 14-14,5 mm
- ⑯ Ø 16 mm
- ⑳ Ø 20 mm
- ㉑ Ø 21 mm
- ㉒ Ø 22 mm
- ㉓ Ø 23 mm
- ㉔ Ø 24,5 mm
- ㉘ Ø 28,5 mm
- ㉚ Ø 32 mm
- ㉜ Ø 52 mm

| POS | PARTNUMBER | PARTNAME | PIECE |
|-----|------------|--------------------------|-------|
| 20 | 50180662 | SHIM 20X34X0,25 | X |
| 20 | 50180657 | SHIM 20X24X0,25 | X |
| 20 | 50180653 | SHIM 20X34X0,20 | X |
| 20 | 50180634 | RING 20X22,9X1 | X |
| 20 | 50180650 | SHIM 20,2X28X0,20 | X |
| 20 | 50180663 | SHIM 20X36X0,25 | X |
| 20 | 50180664 | SHIM 20X38X0,25 | X |
| 20 | 50180659 | SHIM 20,2X28X0,25 | X |
| 21 | 50180209 | WASHER 21X36X0,25 | X |
| 22 | 50180330 | * PRESS. RING 22X18X0,30 | X |
| 23 | 50180635 | SHUTTLE VALVE 23X38X0,25 | X |
| 23 | 50180578 | SHIM D23XD16X2 | X |
| 24 | 40541061 | WASHER 24,5X34X2 | X |
| 28 | 36120469 | SHIM 28,5X14X2 | X |
| 28 | 36120471 | SHIM 28,5X14X5 | X |
| 32 | 48600460 | WASHER 32X42X2,5 | X |
| 32 | 50600065 | SHIM 32X45X2 | X |
| 32 | 46811637 | PRESSURE RING 36X32,25 | X |
| 52 | 50600002 | SHIM 52X59X2,2 | X |

080000190

C130009090

* NEW PART

X ON DEMAND

A large, empty rectangular box with a thin black border, occupying the majority of the page. It is intended for the student to write their notes during the lecture.

A large, empty rectangular box with a thin black border, occupying the majority of the page. It is intended for the student to write their notes during the lecture.

A large, empty rectangular box with a thin black border, occupying the majority of the page. It is intended for the student to write their notes during the lecture.

WWW.KTM.COM



KTM Sportmotorcycle GmbH
5230 Mattighofen, Austria
www.ktm.com



KTM_POWERPARTS

KTM_POWERWEAR

KTM_ORIGINAL SPARE PARTS



3CFF9703P1EN

Art. Nr.: 3CFF9703P1EN 12. Juli 2016