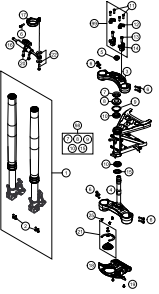
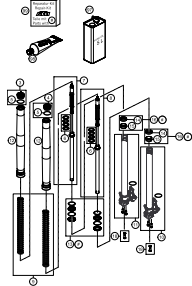
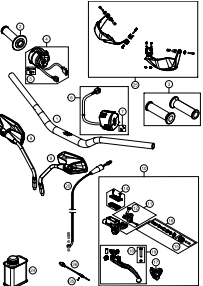
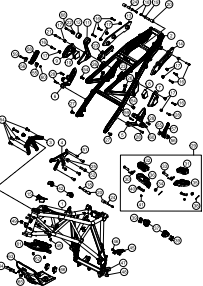
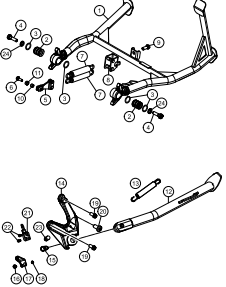
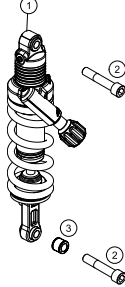
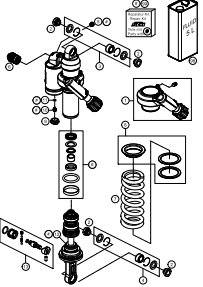
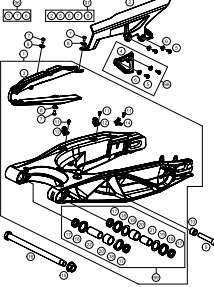
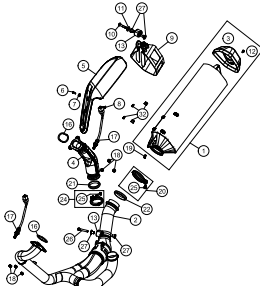
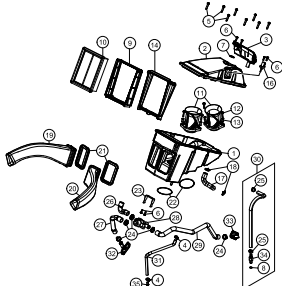
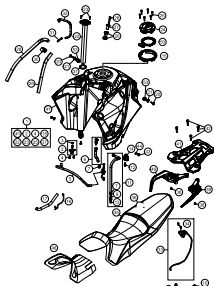
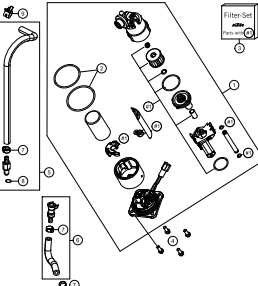

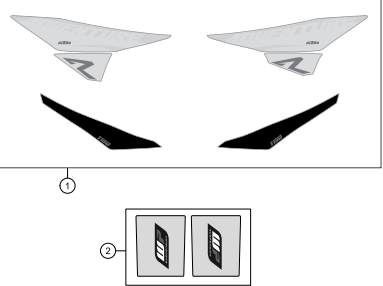
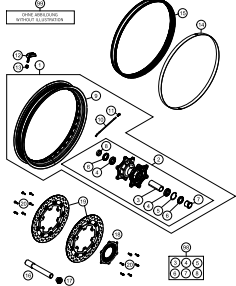
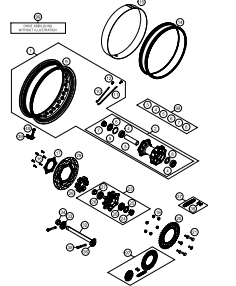

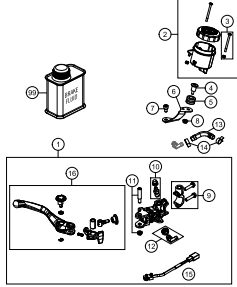
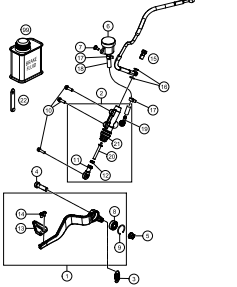
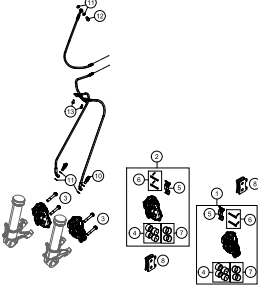
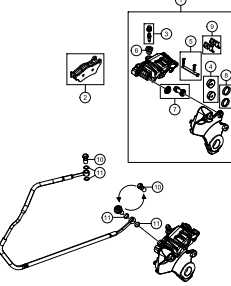
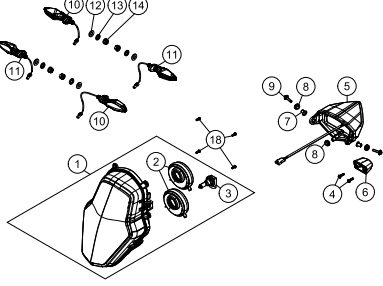
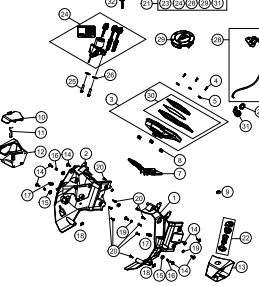
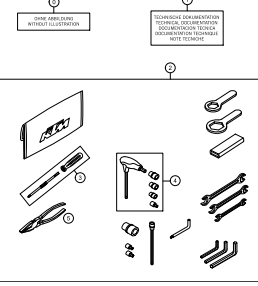


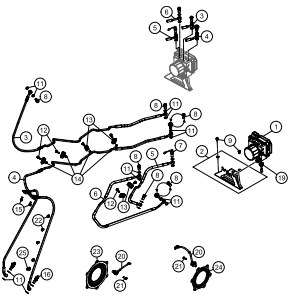
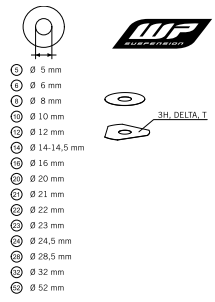

1190 ADVENTURE R ABS EU 2016

ART.-NR.: 3CFF9903P6EN



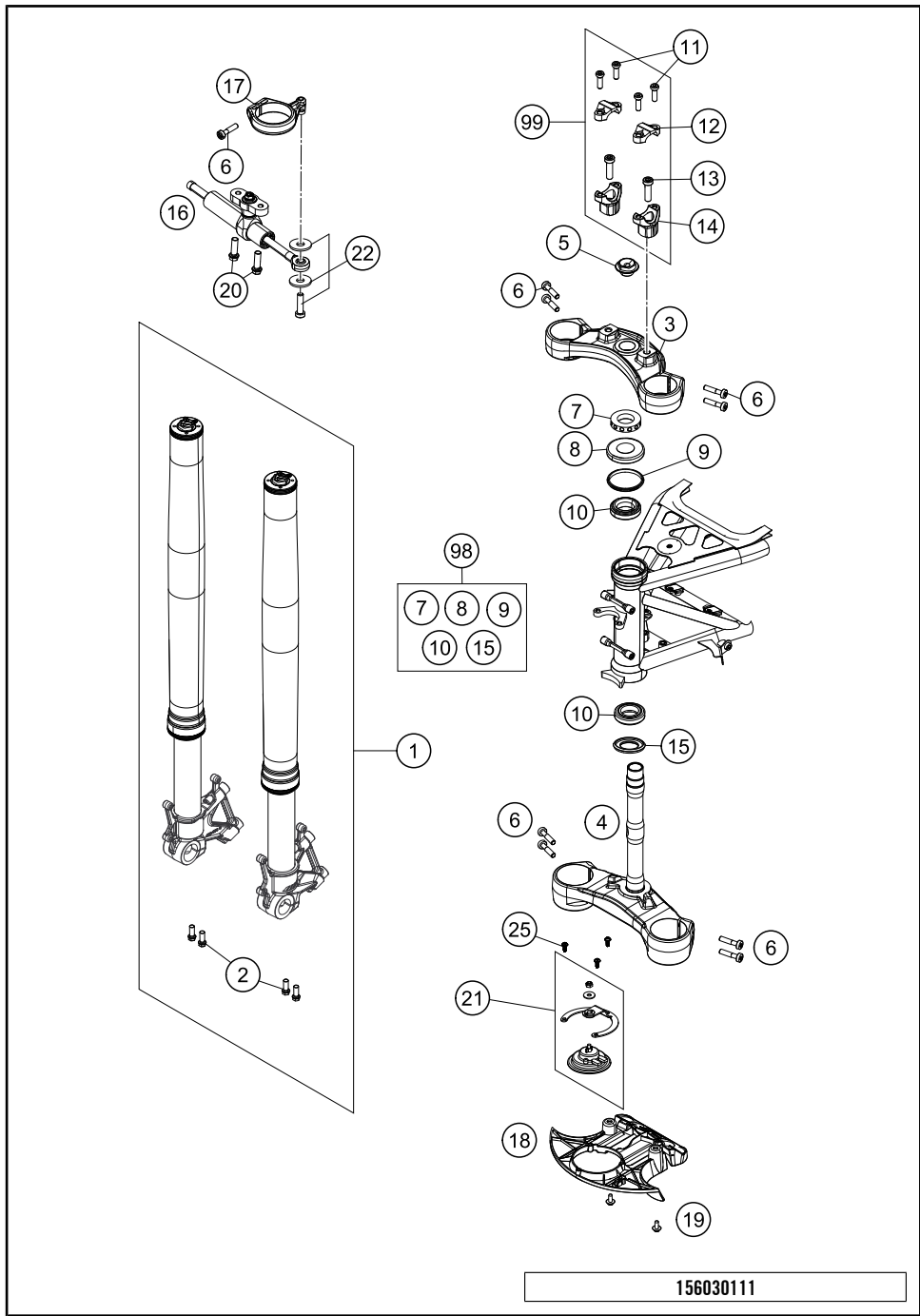
<p>FRONT FORK, TRIPLE CLAMP</p>  <p>4</p>	<p>FRONT FORK DISASSEMBLED</p>  <p>5</p>	<p>HANDLEBAR, CONTROLS</p>  <p>6</p>	<p>FRAME</p>  <p>7</p>
<p>SIDE-/ CENTER STAND</p>  <p>9</p>	<p>SHOCK ABSORBER</p>  <p>10</p>	<p>SHOCK ABSORBER DISASSEMBLED</p>  <p>11</p>	<p>SWING ARM</p>  <p>12</p>
<p>EXHAUST SYSTEM</p>  <p>13</p>	<p>AIR FILTER</p>  <p>14</p>	<p>TANK, SEAT, COVER</p>  <p>15</p>	<p>FUEL PUMP</p>  <p>17</p>

<p>MASK, FENDER</p>  <p style="text-align: right;">18</p>	<p>DECAL</p>  <p style="text-align: right;">20</p>	<p>FRONT WHEEL</p>  <p style="text-align: right;">21</p>	<p>REAR WHEEL</p>  <p style="text-align: right;">22</p>
<p>WIRING HARNESS</p>  <p style="text-align: right;">24</p>	<p>HAND BRAKE CYLINDER</p>  <p style="text-align: right;">26</p>	<p>REAR BRAKE CONTROL</p>  <p style="text-align: right;">27</p>	<p>BRAKE CALIPER FRONT</p>  <p style="text-align: right;">28</p>
<p>BRAKE CALIPER REAR</p>  <p style="text-align: right;">29</p>	<p>LIGHTING SYSTEM</p>  <p style="text-align: right;">30</p>	<p>INSTRUMENTS / LOCKSYSTEM</p>  <p style="text-align: right;">31</p>	<p>ACCESSORIES KIT</p>  <p style="text-align: right;">32</p>

<p>ANTI BLOCK SYSTEM ABS</p>  <p style="text-align: right;">33</p>	<p>WP SHIMS FOR SETTING</p>  <p style="text-align: right;">34</p>		
	<div style="display: flex; align-items: center;">  <p> All information contained is without obligation. KTM Sportmotorcycle GmbH particularly reserves the right to modify any equipment, technical specifications, prices, colors, shapes, materials, services, service work, constructions, equipment and the like so as to adapt them to local conditions or to cancel any of the above items, all without previous announcement and without giving reasons. KTM may stop manufacturing certain models without previous notice. KTM shall not be held liable for any deviations of availability and/or ability to deliver, illustrations, descriptions, printing and/or other errors. The illustrated models partly contain extra equipment, which is not applied to standard models. </p> <p> © by KTM Sportmotorcycle GmbH, Mattighofen AUSTRIA; All rights reserved; Reprint, also in extracts, with written allowance of KTM Sportmotorcycle GmbH, Mattighofen only. </p> </div>		

FRONT FORK, TRIPLE CLAMP

1190 ADVENTURE R ABS EU 2016



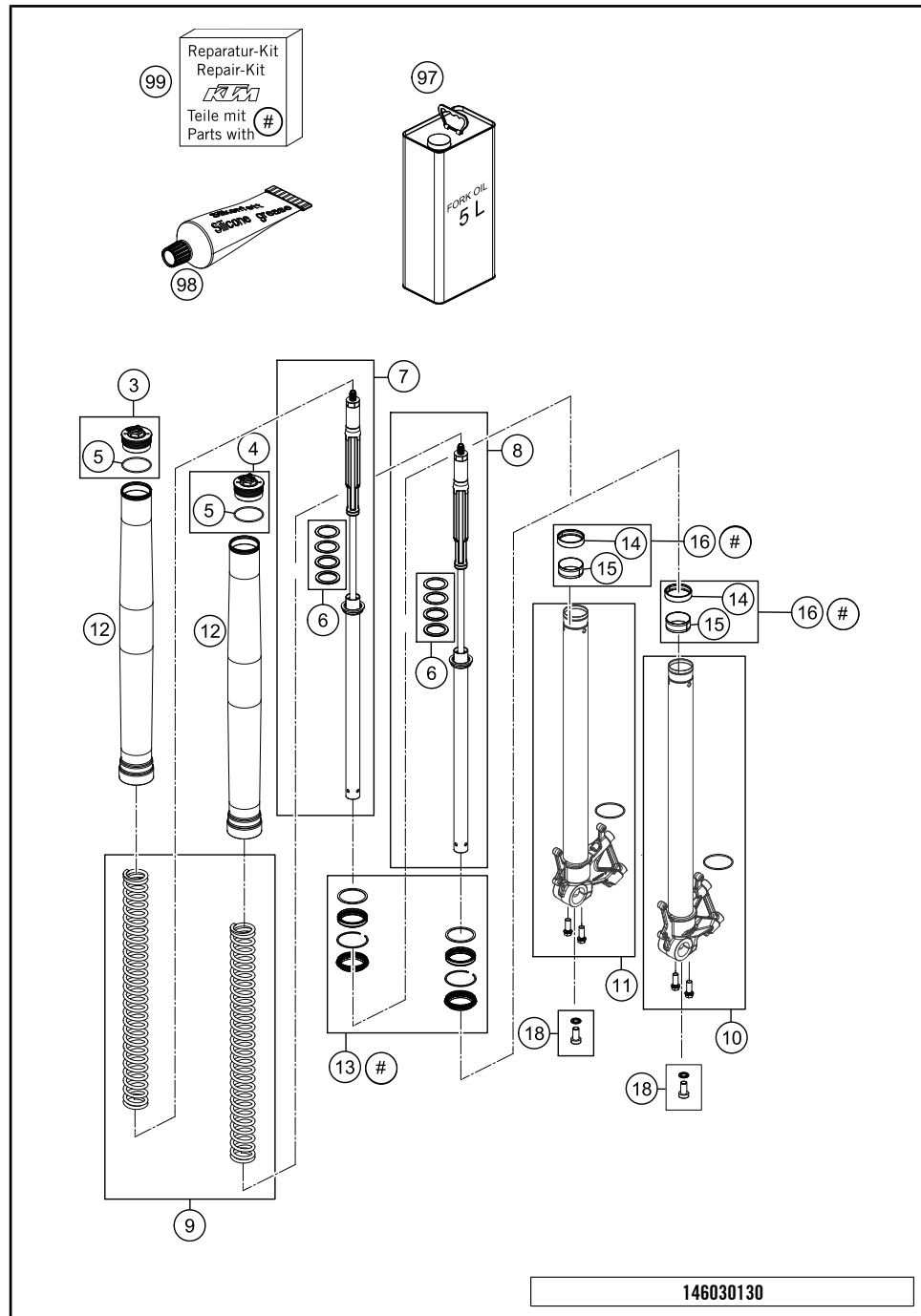
POS	PARTNUMBER	PARTNAME	PIECE
1	14188N2501	FRONT FORK ADVENTURE R 2014	1
2	0025080206S	HH COLLAR SCREW M8X20 ISA40	4
3	6030103403233S	TOP TRIPLE CLAMP	1
4	6030103203233S	BOTTOM TRIPLE CLAMP CPL.	1
5	6030103600001	STEER.HEAD SCREW M22X1,5 SW27	1
6	0035080356	AH-COLLAR SCREW M8X35 ISA45	9
7	57301036100	STEER.HEAD NUT	1
8	61001086000	STEERING HEAD COVER 05	1
9	54601184000	STEERING HEAD GASKET TOP	1
10	54201081100	TAPERED ROLLER BEARING CPL. 06	2
11	0025080256	HH COLLAR SCREW M8X25 TX40	4
12	7720103800030	HANDLEBAR CLAMP 28MM	2
13	0032100356S	AH-COLLAR SCREW M10X35 ISA45	2
14	5940103903730	HANDLEB.SUPP. D=28MM H=37MM	2
15	77701084000	O-RING SUPPORT W. SEALING LIP	1
16	16181N53ES	STEERING DAMPER CPL.	1
17	6031200700033S	CLAMP STEERING DAMPER	1
18	60308024200	TRIPLECLAMP-FACEPLATE BELOW	1
19	0024060136	HH COLLAR SCREW M6X13 TX30	2
20	0025080206S	HH COLLAR SCREW M8X20 ISA40	2
21	60311060100	HORN	1
22	R14038	REPAIR-KIT STEERING DAMPER	1
25	0081050121	SCREW FOR PLASTIC K50X12 T20	3
98	60301081010	STEERING HEAD REP. KIT ADV 13	x
99	00050000927	HANDLEBAR SUPPORT KIT ADV.1190	x

156030111

C166030111

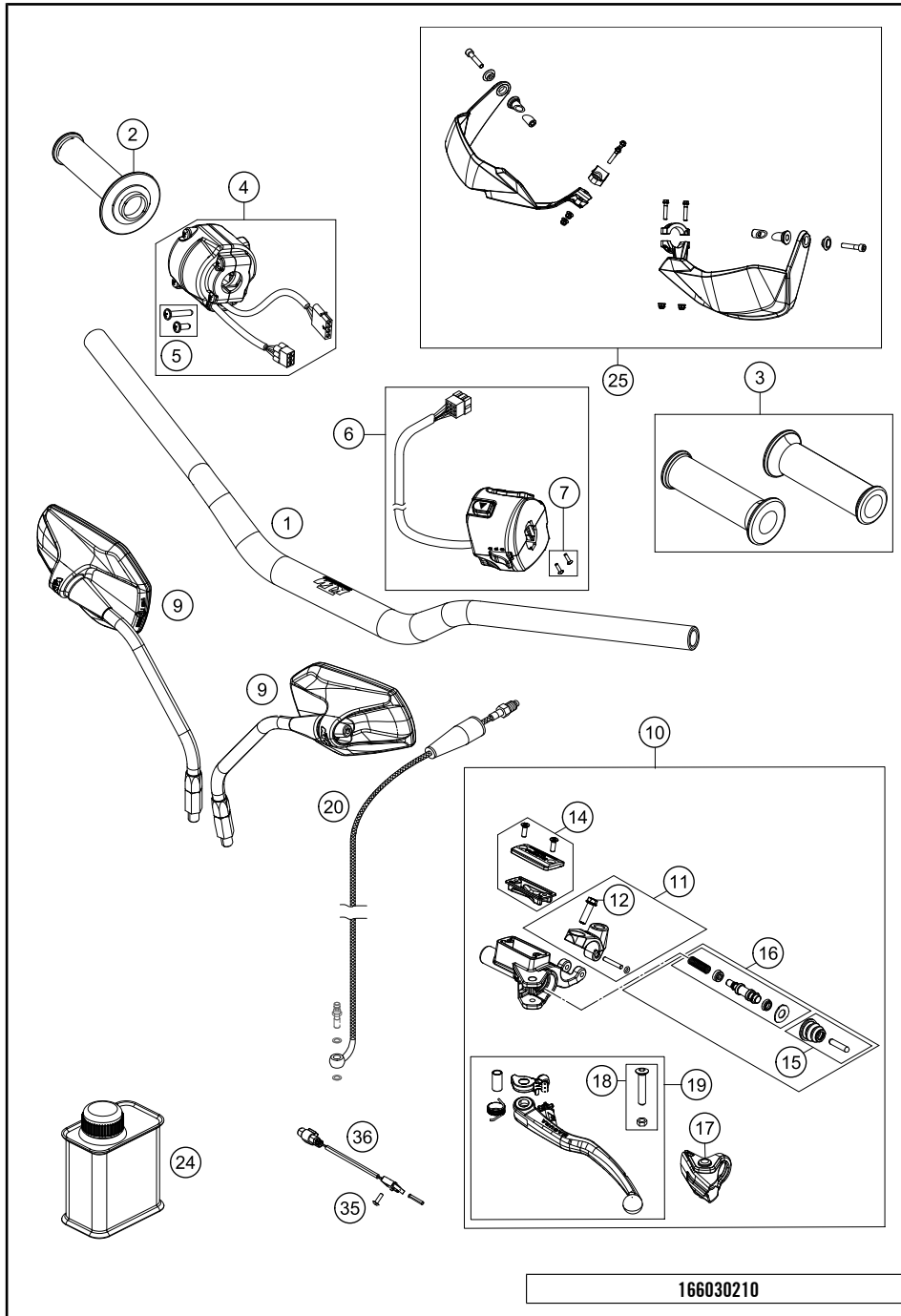
* NEW PART

X ON DEMAND



POS	PARTNUMBER	PARTNAME	PIECE
3	48600431S3	SCREW CAP M51X1.5 REB	1
4	48600431S4	SCREW CAP M15X1.5 COM	1
5	46810340	O-RING NBR 45X2	2
6	R14026	SPRING SPACER KIT	2
7	48601293S3	CARDRIDGE KIT CPL. R/S	1
8	48601294S3	CARDRIDGE KIT CPL. L/S	1
9	91410080S1	SPRING KIT	1
10	48601304S1	AXLE CLAMP WITH INNER TUBE	1
11	48601305S1	AXLE CLAMP WITH INNER TUBE	1
12	48601174	OUTER TUBE L=600 D54/D60 2L	2
13	R14040	GASKET KIT CPL.	1
14	48601009	GUIDING BUSH 48X52X12 R11	2
15	48601008	GUIDING BUSH 47X49X20 R11	2
16	R14028	GUIDING BUSH SET	2
18	00501020S1	AH SCREW M10X20 SET	2
97	48601166S1	FORK OIL SAE4 5L	x
98	T511	SILICONE GREASE F. DUST STRI	x
99	R14037	REP. KIT ADV. 2013	x

* NEW PART X ON DEMAND



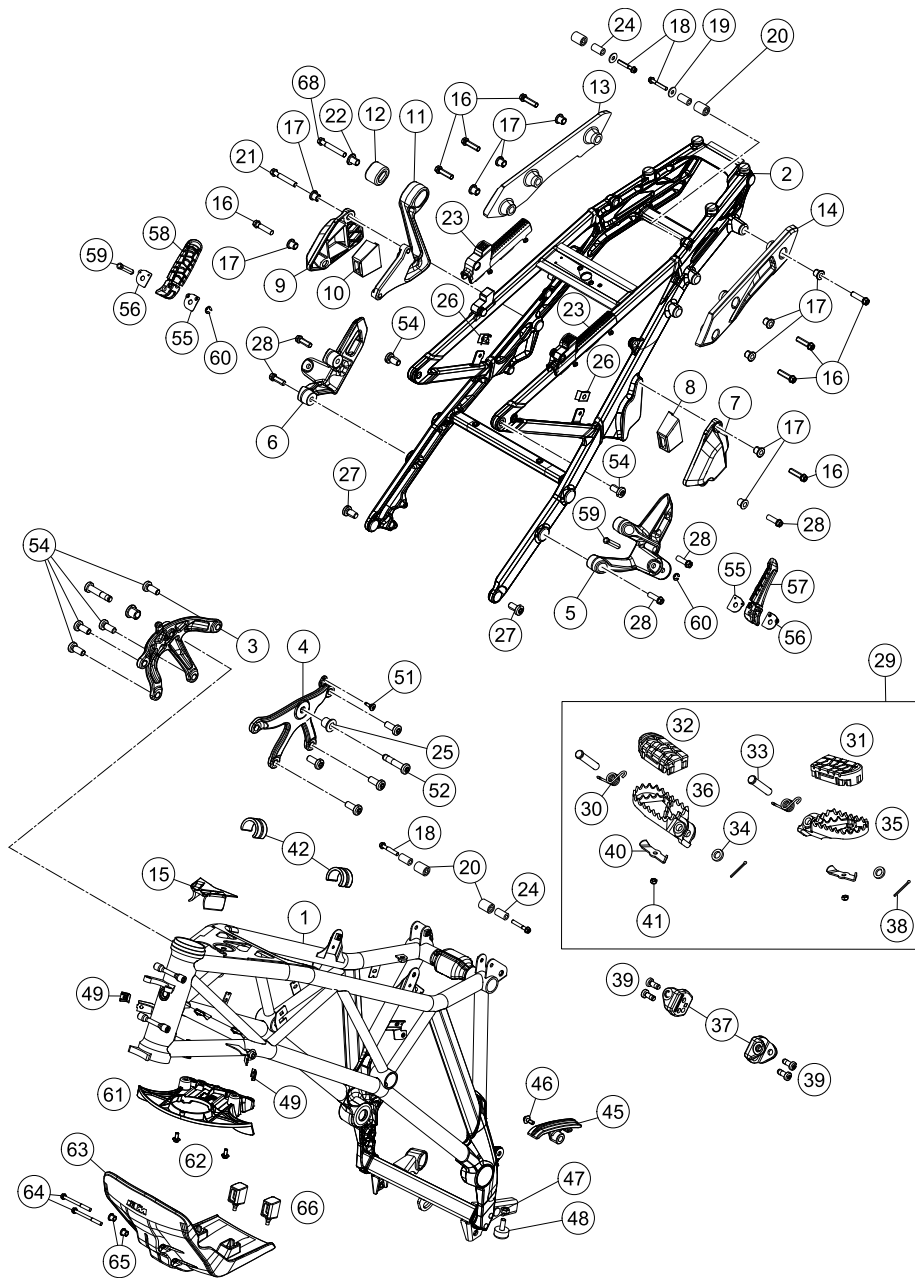
POS	PARTNUMBER	PARTNAME	PIECE
1	6030210100001S	HANDLEBAR	1
2	76002010000	THROTTLE GRIP	1
3	76002021000	GRIP SET OPEN END	1
4	76011073100	START-STOP/E-GAS	1
5	76011073110	SCREW SET START-STOP SWITCH	1
6	60311070100	HANDLEBAR SWITCH	1
7	60311070110	SCREW SET HANDLEBAR SWITCH	1
9	60312040000	MIRROR	2
10*	60302030144	MASTER CYLINDER DOT CPL. 12MM	1
11	76513005000	CLAMP, CYL. PIN, O-RING	1
12	0025060166	HH COLLAR SCREW M6X16 TX30	1
14*	25002033000	COVER HYDR. CLUTCH DOT CPL.	1
15	76502046000	PUSH ROD CPL. 13	1
16*	60302032100	REPAIR KIT PISTONS DOT	1
17	76502037000	PROTECT.CAP FOR LEVER PERCH 13	1
18	50302038200	LEVER SCREW SHORT CPL. 09	1
19	60302031000	CLUTCH LEVER LONG CPL. 2013	1
20	60032063100	CLUTCH PIPE LC8 ADV '03	1
24*	00062030000	BRAKE FLUID DOT5.1 0,25L	1
25	6030217910030	HANDGUARD CLOSED BLACK	1
35	0985030103	* FLAT HEAD SCREW DIN7985 M3x1	1
36	83111049000	CLUTCH SWITCH ATV	1

166030210

C166030211

* NEW PART

X ON DEMAND



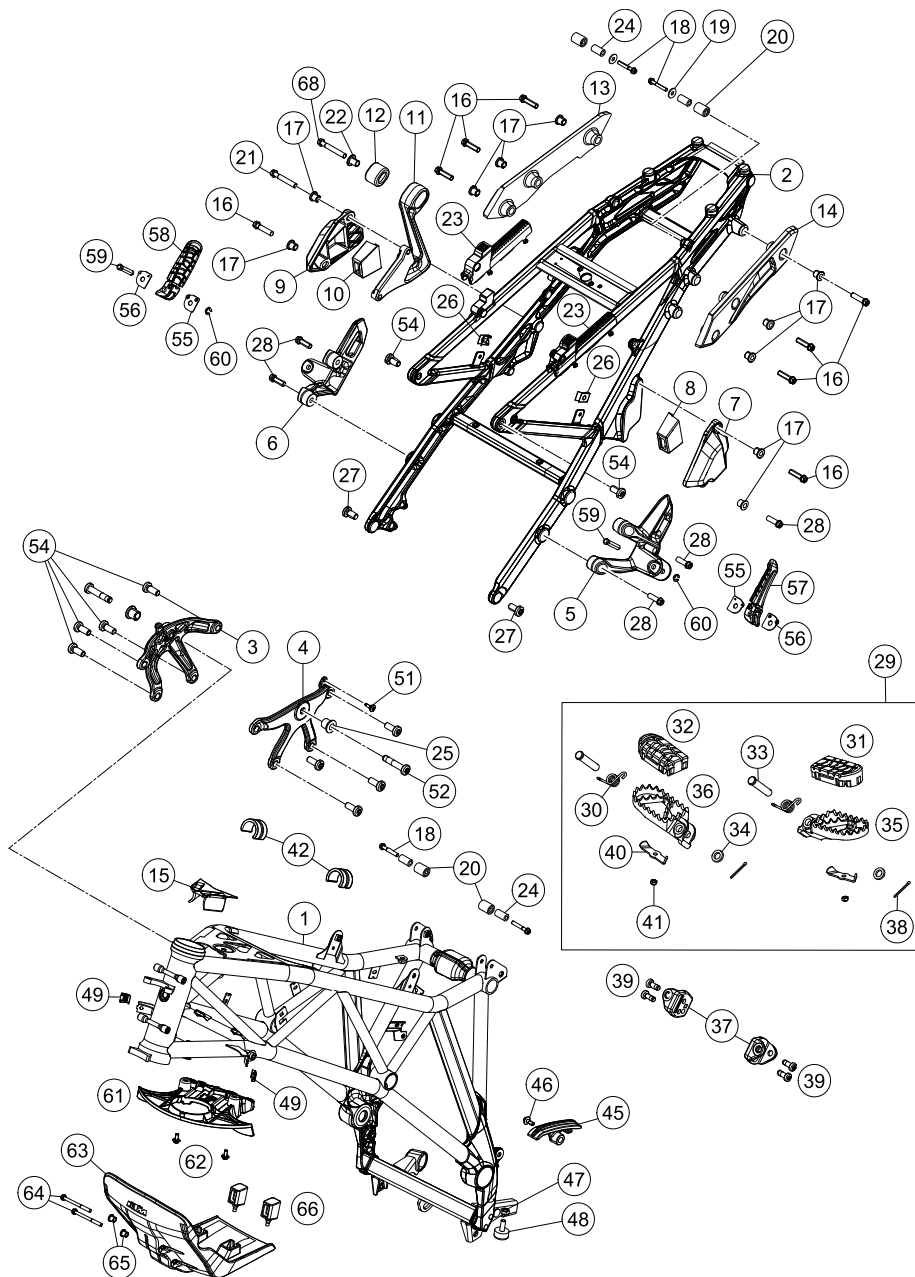
156030311

POS	PARTNUMBER	PARTNAME	PIECE
1	6030300120004	FRAME "603 0A" ORANGE	1
2	6030300200033	SUB FRAME	1
3	6030300600033S	ENGINE SUPPORT R/S BLACK	1
4	6030300500033S	ENGINE SUPPORTL/S BLACK	1
5	6030304800033S	FOOTR. SUP. REAR L/S BLACK	1
6	6030304900033S	FOOTR. SUP. REAR R/S BLACK	1
7	60312010050	SUITCASE HOOK L/S	1
8	60312010060	DAMPING RUBBER SUITCASE HOOK	1
9	60312011050	SUITCASE HOOK R/S	1
10	60312011060	DAMPING RUBBER SUITCASE HOOK	1
11	6030508400033S	EXHAUST BRACKET	1
12	61305068000	DAMPING RUBBER	1
13	60312021250	CASE BAR R/S	1
14	60312020250	CASE BAR L/S	1
15	60303003010	STEERING HEAD COVER	1
16	0025080356	HH COLLAR SCREW M8X35 TX40	10
17	60303002058	SPACER BUSHING 13X17X8,2	10
18	0025060306	HH COLLAR SCREW M6X30 TX30	4
19	0021060003	WASHER DIN9021-A 6,4	2
20	60307048000	RUBBER SEAT-CONTACT SURFACE	4
21	0025080506	HH COLLAR SCREW M8X50 TX40	1
22	60305069000	BUSHING	2
23	60307040041	PLATE RUBBER SEAT	2
24	60307049000	BUSH 6.2X12X21.5	4
25	60303007000	SPACER BUSH ENGINE SUPPORT	2
26	54603048100	RANGE CHANGE METAL NUT M6	2
27	0035100209	AH-COLLAR SCREW M10X20 ISA45	2
28	0025080256	HH COLLAR SCREW M8X25 TX40	6
29	60003040133	FOOTPEG LS+RS CPL.	1
30	54603041000	FOOTREST SPRING L/S & R/S	2
31	60003040010	FOOTREST RUBBER FRONT L/S 03	1
32	60003041010	FOOTREST RUBBER FRONT R/S 03	1
33	54803044000	PIN FOR FOOT PED 51.5X9.8 MM	2
34	0125100003	WASHER DIN0125-A10,5	2
35	59003040250	% FOOT PEG L/S SILVER 02	1
36	59003041250	% FOOT PEG R/S SILVER 02	1
37	6030310109533S	FOOTREST MOUNTING	2
38	0094032253	PIN DIN0094-3,2X25 STEEL	2

C166030311

* NEW PART

X ON DEMAND



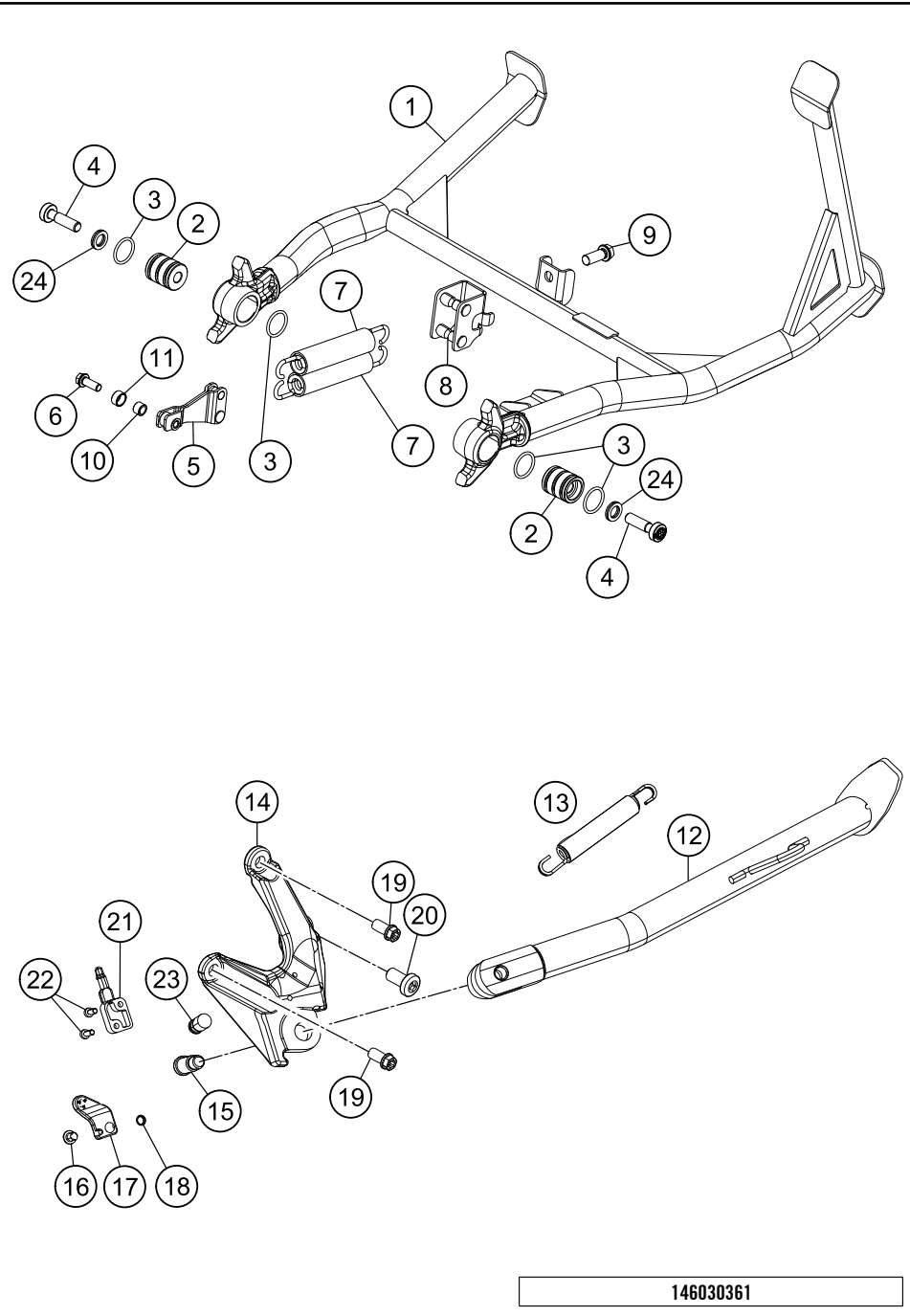
156030311

POS	PARTNUMBER	PARTNAME	PIECE
39	0025080166S	HH COLLAR SCREW M8X16 TX40	4
40	60003044010	CLOSING PANEL FRONT L/S R/S 03	2
41	0985050003	SELF LOCKING NUT DIN0985-M 5	2
42	61007014000	SPACER FUEL TANK 05	2
45	60303070000	CHAIN GUIDE	1
46	0024060156	HH COLLAR SCREW M6X15 TX30	1
47	0934080003	HEXAGON NUT DIN0934-M 8	1
48	58303070100	BUMP RUBBER M8X25MM	1
49	54603048200	RANGE CHANGE METAL NUT M5	2
51	69008021160	SPECIAL SCREW M5X12	1
52	0035100509S	AH-COLLAR SCREW M10X50 ISA45	2
54	0035100249	AH-COLLAR SCREW M10X24 ISA45	10
55	60003152000	ENGAGE PANEL FOOTREST L/S 03	2
56	60003052000	ENGAGE PANEL FOOTREST R/S 03	2
57	60003050000	FOOTREST CPL. L/S REAR 03	1
58	60003051000	FOOTREST CPL. R/S REAR 03	1
59	60003044100	BOLT FOR FOOTREST REAR	2
60	0799060003	TAB WASHER DIN6799-RS 6,0	2
61	60308024000	TRIPLE CLAMP COVER LOWER SIDE	1
62	0024060136	HH COLLAR SCREW M6X13 TX30	2
63	6030319000030	SKID PLATE ADV	1
64	0025060406	HH COLLAR SCREW M6X40 TX30	2
65	45239060050	COLLAR BUSHING 6,3X8X13X9,5	2
66	60003096000	VIBRATION DAMPER 03	2

C166030311

* NEW PART

X ON DEMAND



POS	PARTNUMBER	PARTNAME	PIECE
1*	6030302210033	MAIN STAND	1
2	60303022007	BUSHING SUPPORT CENTRAL	2
3	0770180020	O-RING 18,00X2,00 NBR 70	4
4	0035080356S	SCREW M8X35 ISA45 SS	2
5	60303022025	SPRING SUPPORT FRONT CPL.	1
6	0025060166	HH COLLAR SCREW M6X16 TX30	1
7	60303030100	SIDESTAND SPRING L=118MM	2
8	60303022026	SPRING SUPPORT REAR CPL.	1
9	0025080206	HH COLLAR SCREW M8X20 TX40	1
10	60303022031	BUSHING SPRINGSUPPORT FRONT	1
11	60303022032	BUSHING SPRING SUPPORT FRONT	1
12*	6030302310033	SIDE STAND CPL.	1
13	60303024100	SIDE STAND SPRING	1
14	6030302610033S	SIDE STAND BRACKET	1
15	62503027200	SCREW FOR SIDE STAND M10X31,2	1
16	0902060083	AH OVAL SCREW ISO 7380 M 6X8	1
17	60303029050	MAGNET HOLDER	1
18	60303029051	BUSHING MAGNET HOLDER	1
19	0025080166	HH COLLAR SCREW M8X16 TX40	2
20	0035100309S	AH-COLLAR SCREW M10X30 ISA45	1
21	61011045000	SIDE STAND SENSOR 05	1
22	0084040123	CYL.HEAD SCREW DIN84A M4x12	2
23	60303023111	RETAINING BOLT	1
24	60303022035	NORDLOCK WASHERS M8	2

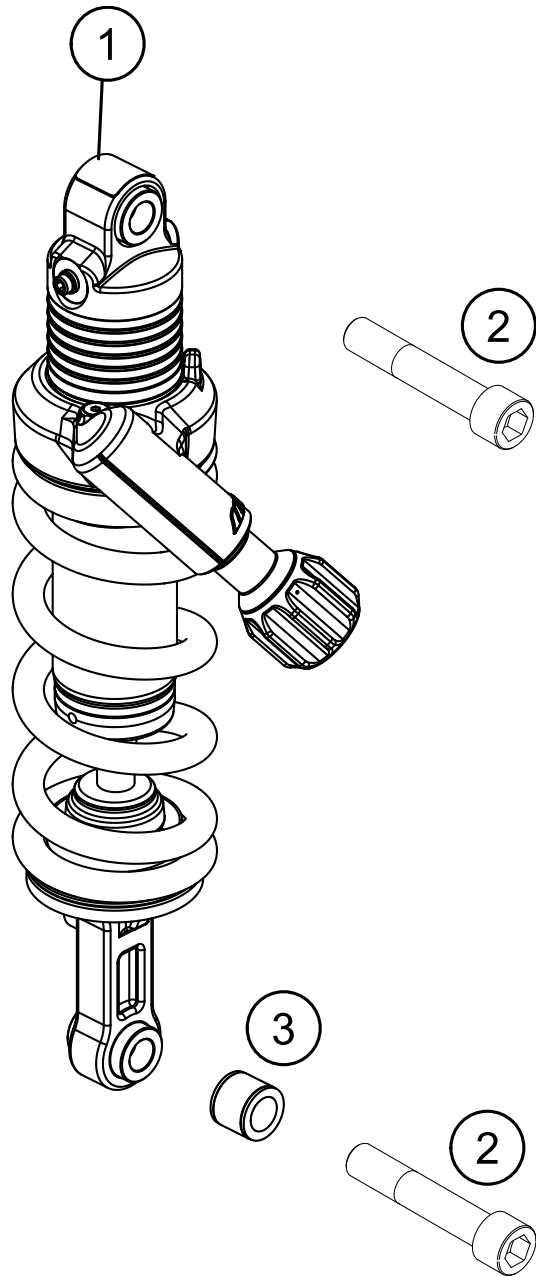
146030361

C166030361

* NEW PART X ON DEMAND

SHOCK ABSORBER

1190 ADVENTURE R ABS EU 2016



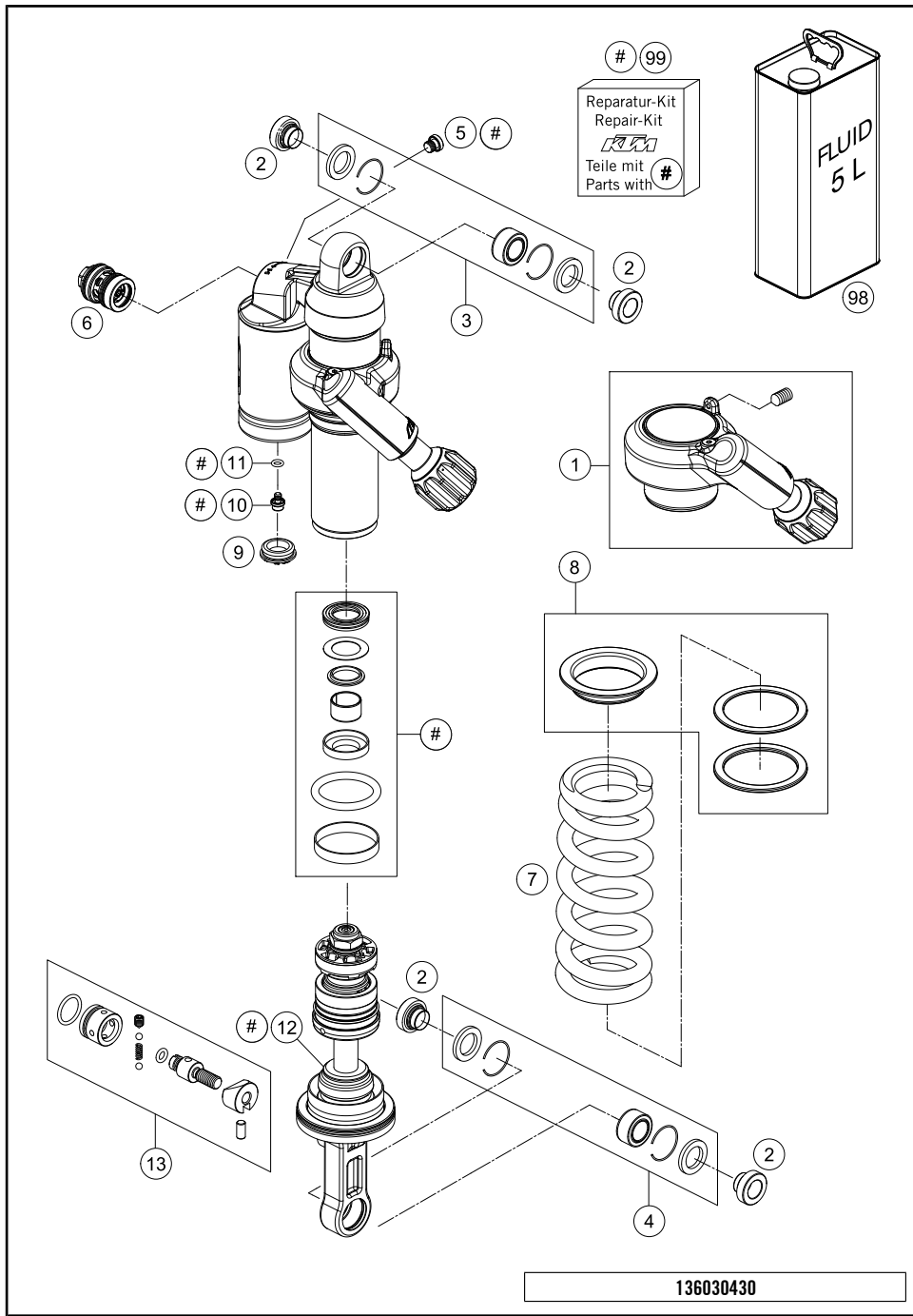
POS	PARTNUMBER	PARTNAME	PIECE
1*	15187P2501	SHOCK ABSORBER ADVENTURE R 16	1
2	60004017000	SCREW M14X1,5 L=73MM 03	2
3	60004030151	BUSHING MONOSHOCK SOCKET 05	1

156030410

C166030410

* NEW PART

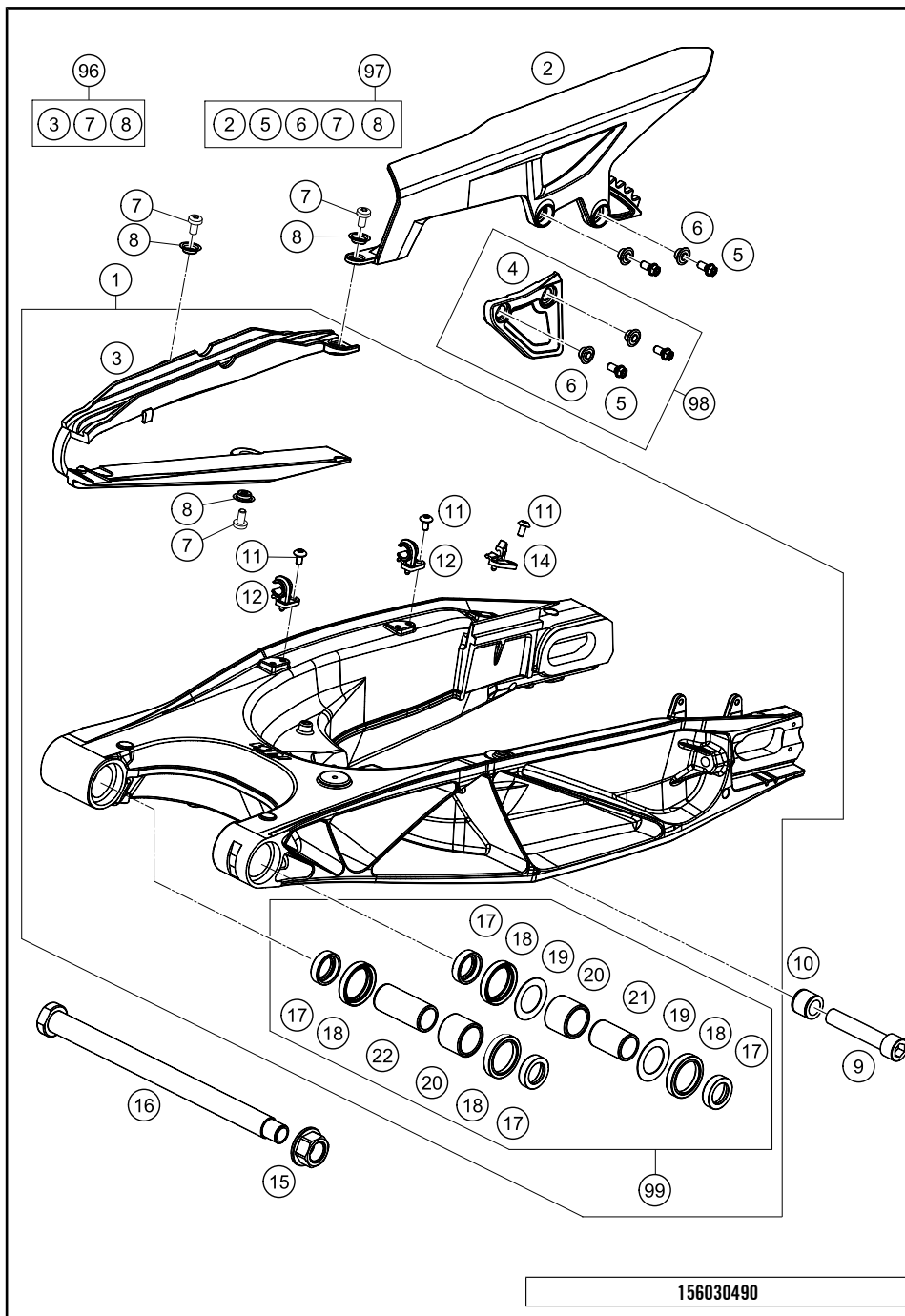
X ON DEMAND



POS	PARTNUMBER	PARTNAME	PIECE
1	1500M01S1	POWER ADJUSTER CPL. WITH SCREW	1
2	46181138	BUSHING KGW 1525 14X32	4
3	R12012	REP. KIT BEAR./SEAL UP. 07	1
4	R15009	BEARING KIT KGW 1525 990 DUKE	1
5	50180095	BLEED PLUG R 1/8	1
6	50180213S6	DCC-COMPR.DAMP.CONTROL CPL. 04	1
7	91010333S	SPRING (59) 180-205	1
8	R15015	REPAIR KIT GASKET BOTTOM	1
9	46811208	RUBBER CAP "DO NOT OPEN"	1
10	36120151	SCREW PLUG M5X6	1
11	46810893	O-RING NBR 5,28X1,78	1
12	50181080	BUMPER	1
13	46180522S1	TAP ADJ. REBOUND	1
98	50180751S1	SHOCK ABSORBER FLUID 5 LT	1
99	R15014	REPAIR KIT GASKET TOP	1

* NEW PART

X ON DEMAND



POS	PARTNUMBER	PARTNAME	PIECE
1	6030403004433	SWINGARM CPL.	1
2	60304061000	CHAIN GUARD	1
3	60304066000	CHAIN SLIDING GUARD	1
4	60304070000	CHAIN GUIDE	1
5	0025060166	HH COLLAR SCREW M6X16 TX30	4
6	50308053000	BUSH FOR SPOILER 6X11X16X7,5	4
7	0018050103	INT. TORX OVAL HEAD M 5X10 8.8	3
8	46104066050	BUSH FOR CHAINSLIDER GUARD 02	3
9	60004017000	SCREW M14X1,5 L=73MM 03	1
10	60004030151	BUSHING MONOSHOCK SOCKET 05	1
11	78105081010	SCREW TORX M5X10	3
12	60104042000	RET. CLAMP F. BRAKE HOSE	2
14	60142026000	CABLE SUPPORT SWING ARM 06	1
15	60004038000	COLLAR NUT M19X1,5 WS=27MM 03	1
16*	69004037244	SWING ARM BOLT	1
17	60004034000	BUCKET F. SHAFT SEAL RING 03	4
18	0760304073	SHAFT SEAL RING 30X40X7	4
19	60004033000	STOP DISK 03	2
20	60004031000	NEEDLE BUSH HK2526B 03	2
21	60004032000	INNER RING JR20X25X38,5 03	1
22	69004032000	INNER RING JR 20X25X56,5	1
96	60304066010	CHAIN GUARD KIT 13-14	x
97	60304060010	CHAIN PROTECTION KIT 13-14	x
98	60304070010	CHAIN GUIDE KIT 1190 ADV	x
99	69004230010	SWING ARM REP. KIT 08-14	x

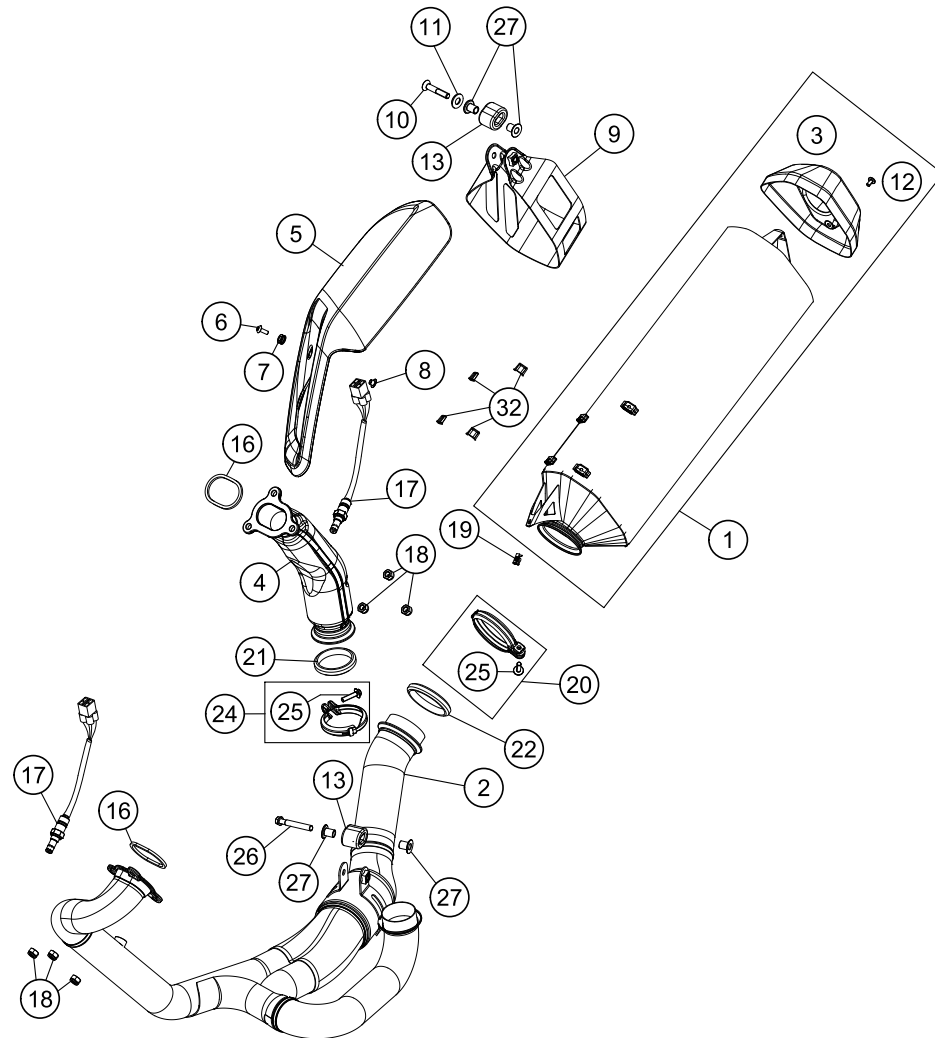
156030490

C166030490

* NEW PART X ON DEMAND

EXHAUST SYSTEM

1190 ADVENTURE R ABS EU 2016



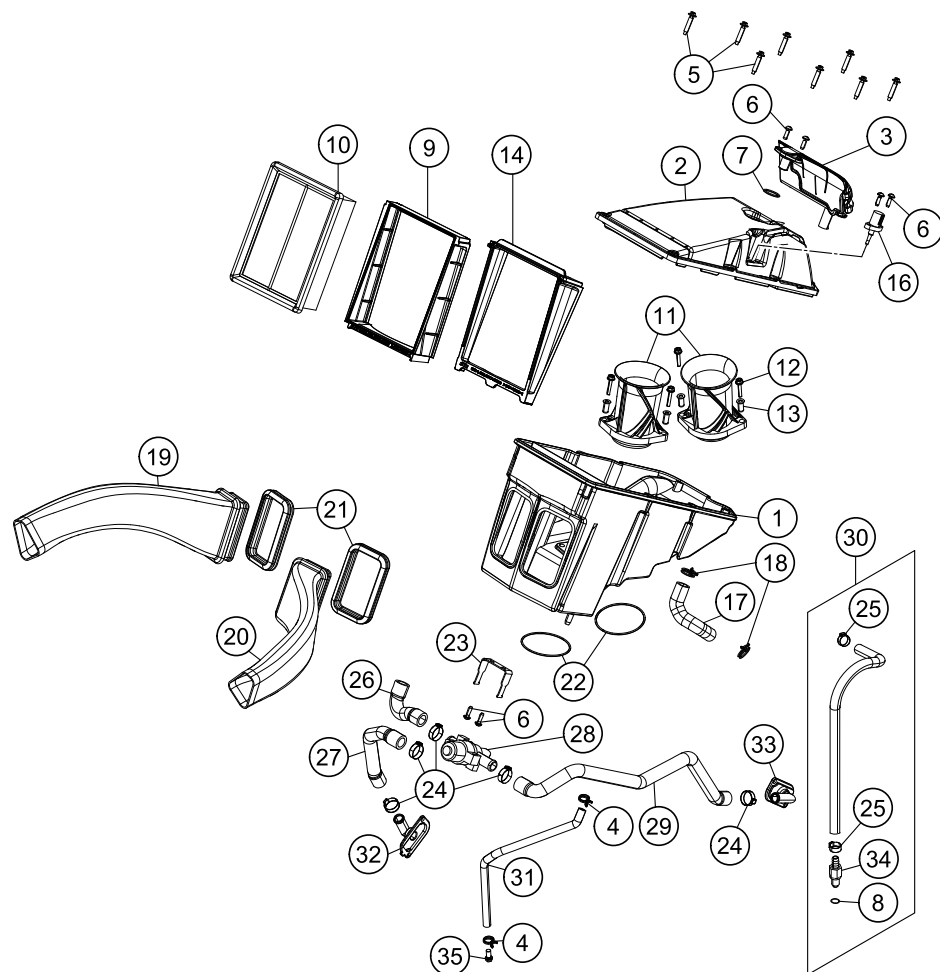
POS	PARTNUMBER	PARTNAME	PIECE
1	60305083000	SILENCER	1
2	60305007000	MANIFOLD FRONT CPL.	1
3	60305083161	ENDCAP	1
4	60305008000	MANIFOLD REAR CPL.	1
5	6040511100033	HEAT PROTECTION BLACK	1
6	58605083014	SCREW M5X14 TORX 25 07	1
7	60305083081	SILICON SLEEVE	1
8	60305083082	SPACER BUSHING	1
9	60305083190	CLAMP SILENCER	1
10	0025080456	HH COLLAR SCREW M8X45 TX40	1
11	54633037000	WASHER 8MM GALVANIZED	1
12	78105081010	SCREW TORX M5X10	3
13	61305068000	DAMPING RUBBER	2
16	69005005100	EXHAUST PIPE FLANGE GASKET	2
17	75041090000	LAMBDA SENSOR 07	2
18	51010086100	SELF LOCKING NUT M 8 CU	6
19	69008021080	RANGE CHANGE METAL NUT M5	1
20	61305090000	EXHAUST CLAMP CPL. 60MM	1
21	69005005005	MANIFOLD GASKET	1
22	61305005005	MANIFOLD GASKET 60MM	1
24	69005050000	CLAMP CPL.	1
25	0024060256	HH COLLAR SCREW M6X25 TX30	1
26	0035080406	AH-COLLAR SCREW M8X40 ISA45	1
27	60305069000	BUSHING	2
32	61005091000	DAMP. COMPON. SILICONE GREY 05	4

166030510

C166030510

* NEW PART

X ON DEMAND



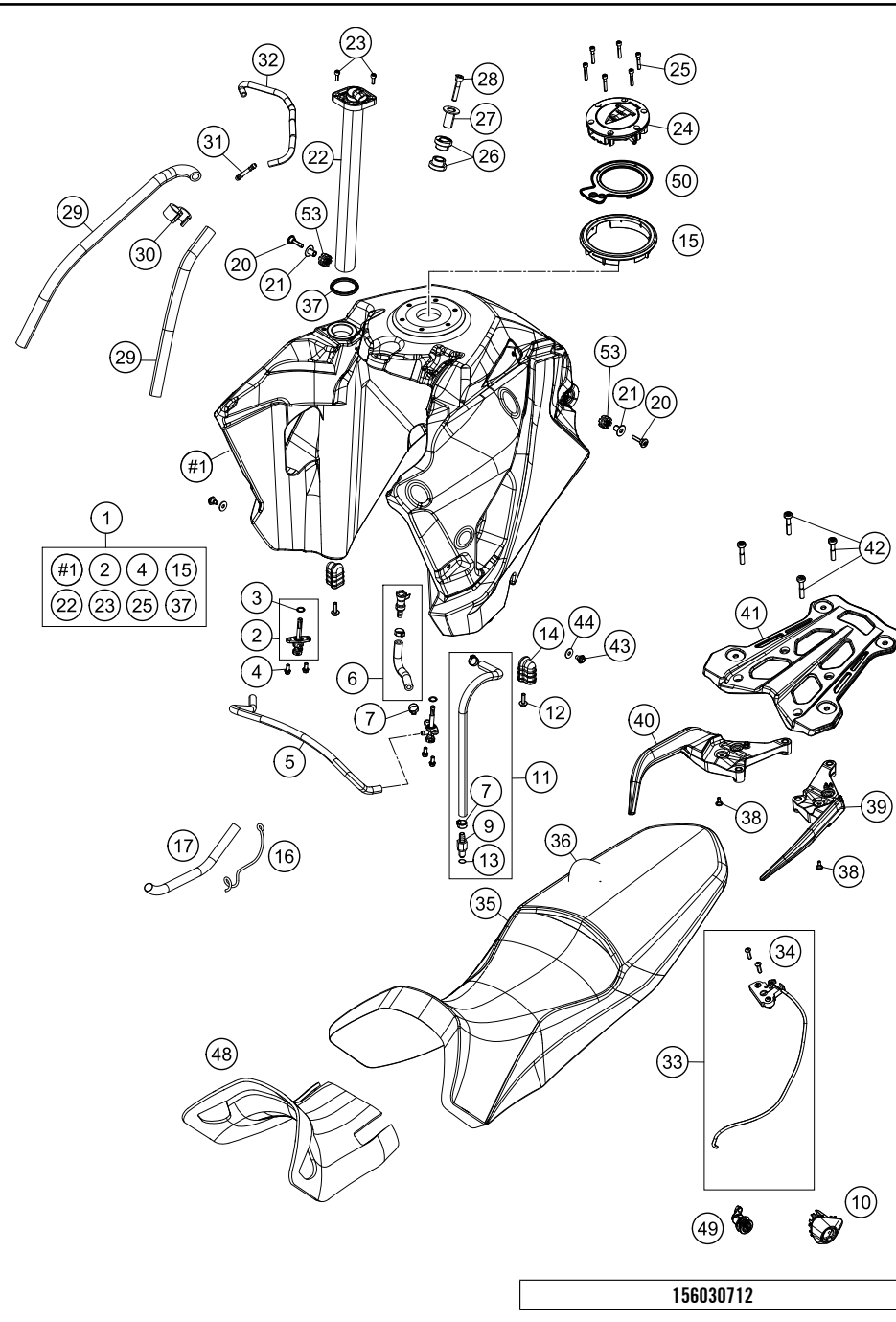
POS	PARTNUMBER	PARTNAME	PIECE
1	60306001200	AIR FILTER HOUSING LOWER PART	1
2	60306002000	AIR FILTER BOX COVER	1
3	60330088100	OIL SEPARATOR	1
4	58031005000	CLAMP YDNAC 10128 12MM	2
5	0017060305	SPECIAL SCREW K60X30 WS=6	8
6	0081050161	EJOT PT SCREW K50X16 1451	6
7	0770021020	O-RING 21,00X2,00 NBR70	1
8	58507012000	O-RING VITON F. PLUG CPC 05	1
9	60406016000	FILTERCLAMPING FRAME	1
10	60306015100	AIR FILTER	1
11	60341040100	INTAKE TRUMPET LENGTH 100	2
12	0025050256	HH COLLAR SCREW M5X25 ISA30	2
13	60306042010	BUSHING INTAKE TRUMPET	4
14	60406017000	FILTERCLAMPING LINER	1
16	61041080000	AMBIENT-AIR TEMPERATURE SENSOR	1
17	60330088030	OIL SEPARATOR FOAM HOSE	1
18	60306082000	CLAMP YDNAC 10173 (19MM)	2
19*	60406040000	INTAKE DUCT R/S	1
20*	60406041000	INTAKE DUCT L/S	1
21	60306040050	GASKET INTAKE DUCT	2
22	0770066025	O-RING 66X2,5 FKM	2
23	61305031000	RETAINING BRACKET SLS	1
24	00050226706	VARIABLE ONE-EAR CLAMP 22,6MM	5
25	00050157706	VARIABLE ONE-EAR CLAMP 15,7MM	2
26	61305035023	SAS HOSE - AIRBOX	1
27	61305035021	SAS HOSE CYLINDER FRONT	1
28	61005026000	CONTROL VALVE SAS 05	1
29	61305035022	SAS HOSE CYLINDER REAR	1
30	60307016000	FUEL HOSE 1 CPL.	1
31	60015019001	HOSE NBR 7X11 PER METER	1
32	61205122000	SAS-FLANGE	1
33	61205032000	SAS-FLANGE	1
34	5850701030030	PLUG CPC BLACK 05	1
35	0025080126	HH COLLAR SCREW M8X12 TX40	1

156030610

C166030610

* NEW PART

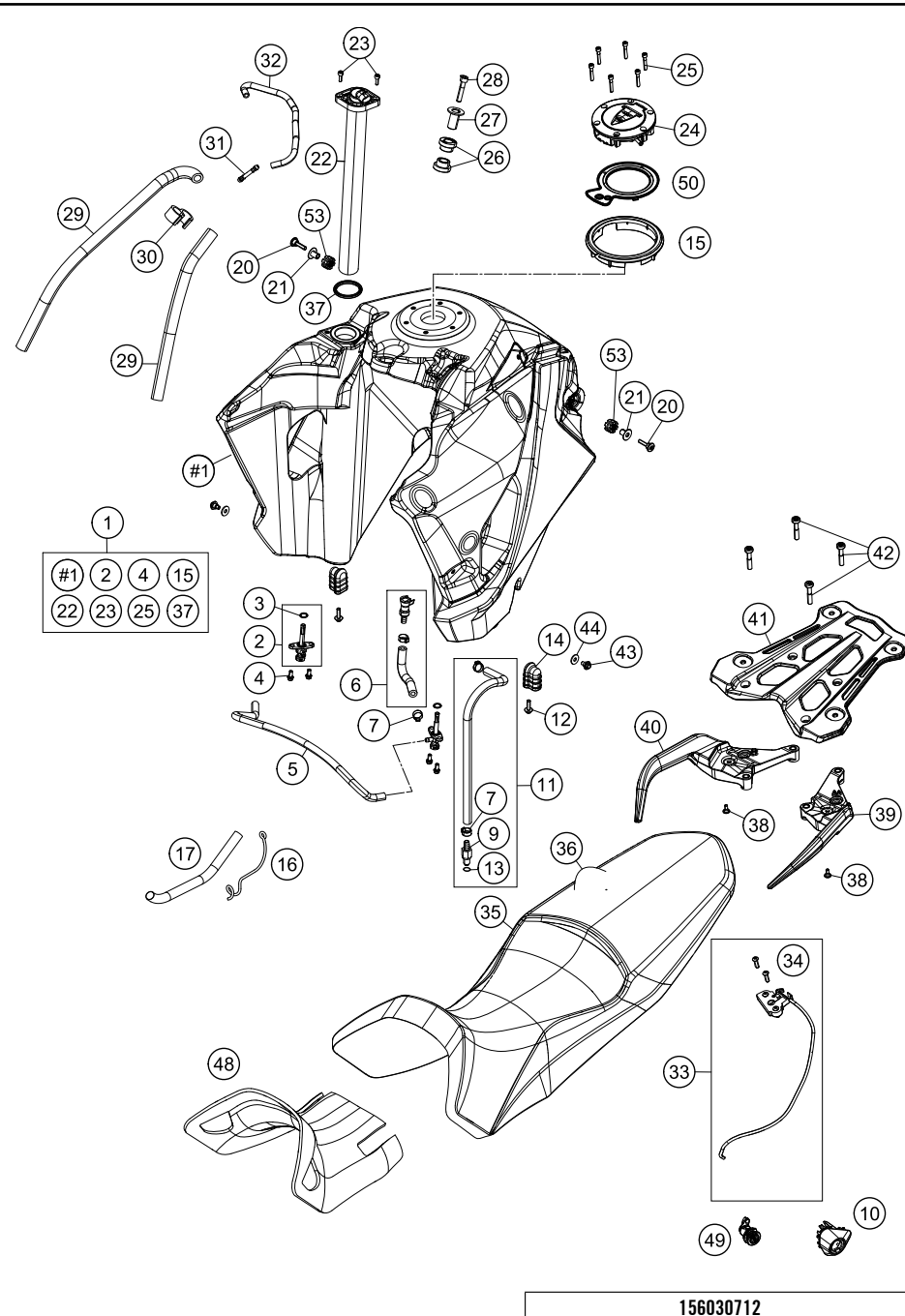
X ON DEMAND



POS	PARTNUMBER	PARTNAME	PIECE
1	6030711314433A	FUEL TANK CPL.	1
2	58507003200	FUEL COCK CPL.	2
3	0770020130	O-RING 1,78x10,82x14,38 2-013	2
4	0025060126	HH COLLAR SCREW M6X12 TX30	4
5	60307018000	EXPANSION HOSE FUEL TANK	1
6	60307017000	FUEL HOSE TANK/CONNECTOR	1
7	00050157706	VARIABLE ONE-EAR CLAMP 15,7MM	2
8	60307017050	FUEL HOSE TANK/CONNECTOR	1
9	5850701030030	PLUG CPC BLACK 05	1
10	60307053000	SEAT LOCK COVER	1
11	60307016050	FUEL PIPE 1	1
12	0024060206	HH COLLAR SCREW M6X20 TX30	2
14	60307020000	TANK RUBBER	2
15	60307009000	TANK CAP RING	1
16	60307037000	WIRE HOLDER FUEL HOSE	1
17	60307016010	HEAT PROTECTION	1
18	58507012000	O-RING VITON F. PLUG CPC 05	1
20	60307025000	SPECIAL SCREW M6X32.5 ISA 40	2
21	69007028000	COLLAR BUSH. 6,2X10X21X14MM 08	2
22	60307080000	GAS LEVEL SENSOR	1
23	0912050163	AH SCREW DIN0912-M 5X16	2
24	60307008000	% TANK CAP	1
25	0912050253	AH SCREW DIN0912-M 5X25	6
26	61007065000	TANK RUBBER BUSHING FRONT 05	2
27	61007060000	BEARING BUSHING OUTSIDE 05	1
28	0912080403	AH SCREW DIN912 M8X40	1
29	60007126001	HOSE 5,4X9,4 NBR, METER	1
30	60038039000	DISTANCE HOLDER 10/10 BLACK	1
31	69015019010	HOSE CONNECTION STRAIGHT	1
32	60307008150	HOSE TANK BREAT.	1
33	60307050000	SEAT LOCK CPL.	1
34	0738060201	FLAT HEAD SCREW ISO7380 M6X20	2
35	60307140100	SEAT R	1
36	60307140050	SEAT COVERING	1
37	60307080090	GASKET FUEL LEVEL SENSOR	1
38	69013099050	SCREW F. EXPANSION TANK	2
39	6031200810030	GRIP L/S BLACK	1
40	6031200920030	HAND GRIP R/S	1

* NEW PART

X ON DEMAND



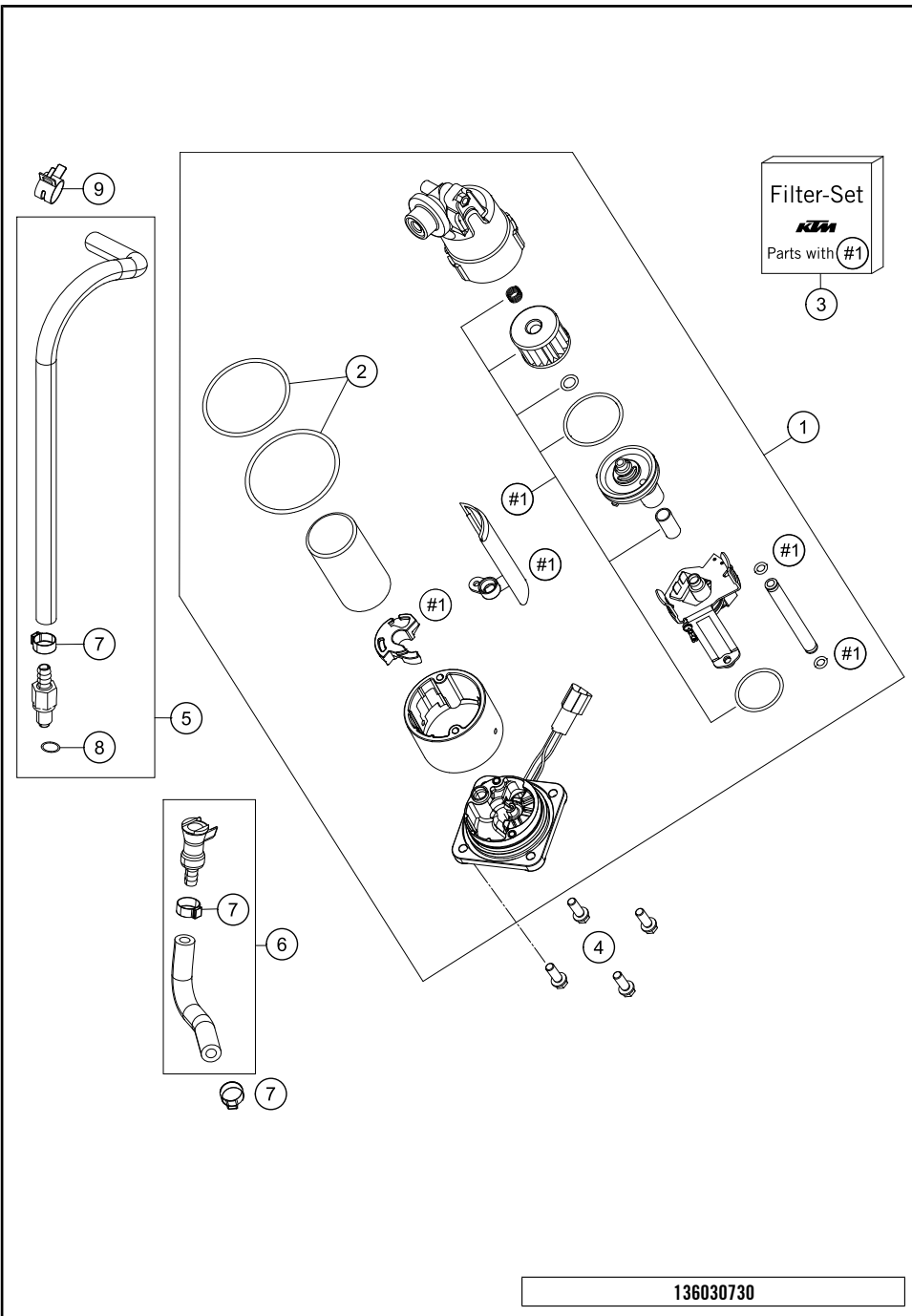
POS	PARTNUMBER	PARTNAME	PIECE
41	6031201000033S	BAGGAGE CARRIER BRIDGE	1
42	0035080406	AH-COLLAR SCREW M8X40 ISA45	4
43	59001092050	SPECIAL SCREW M6X12,5 WS=8	2
44	0021060003	WASHER DIN9021-A 6,4	2
48	60307040080	HEAT PROTECTOR	1
49	60307050020	LOCK CYLINDER SEAT LOCK	1
50	60307008190	GASKET TANK CAP	1
53	69007027000	RUBBER SLEEVE TANK MOUNT 08	2

156030712

C166030712

* NEW PART

X ON DEMAND



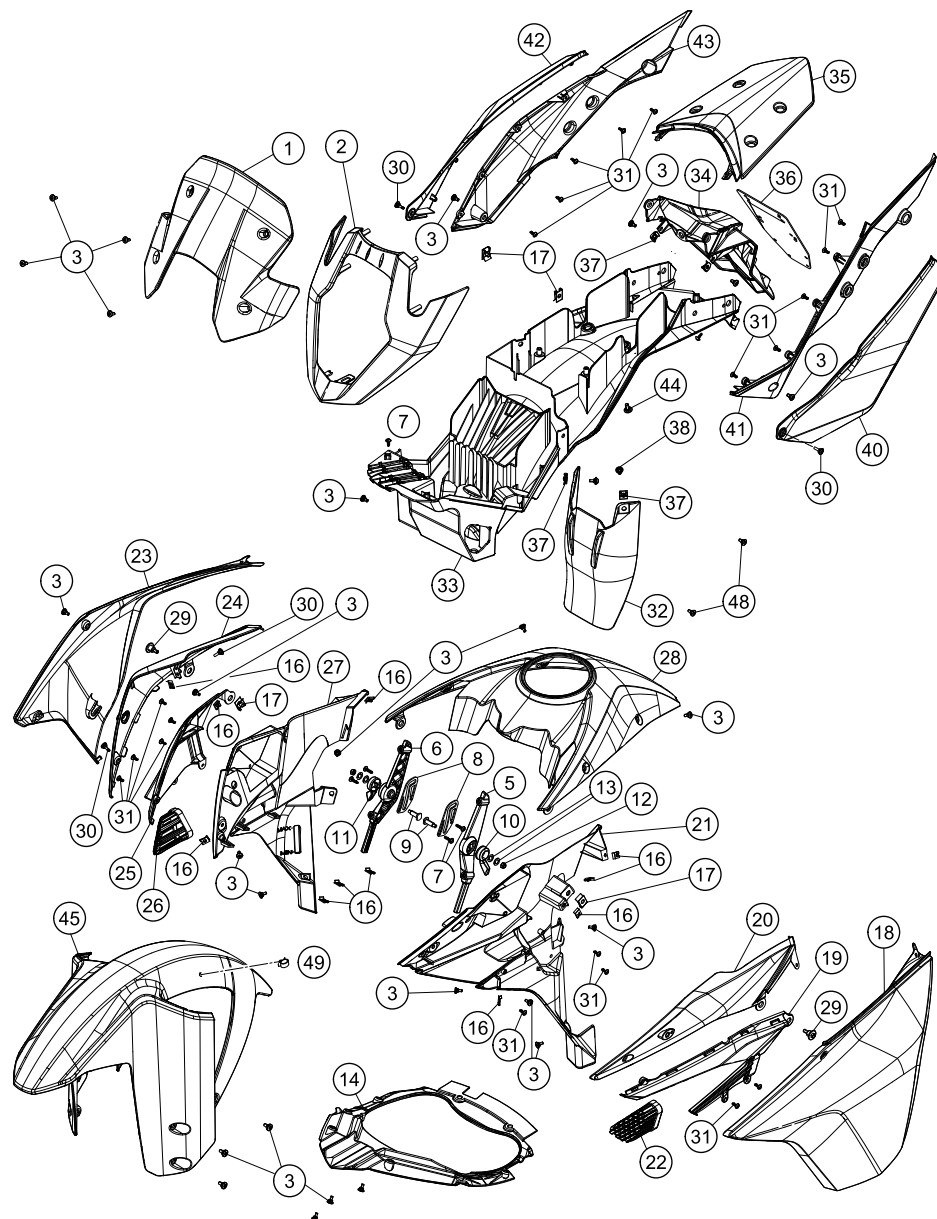
POS	PARTNUMBER	PARTNAME	PIECE
1	60307088000	FUEL PUMP	1
2	61007089000	O-RING SET FOR FUEL PUMP 05	1
3	61007090100	FILTER-SET FUEL PUMP	1
4	0025060166	HH COLLAR SCREW M6X16 TX30	4
5	60307016000	FUEL HOSE 1 CPL.	1
6	60307017000	FUEL HOSE TANK/CONNECTOR	1
7	00050157706	VARIABLE ONE-EAR CLAMP 15,7MM	4
8	58507012000	O-RING VITON F. PLUG CPC 05	1
9	00049140121	CLAMP STD DN14	1

136030730

C136030730

* NEW PART

X ON DEMAND



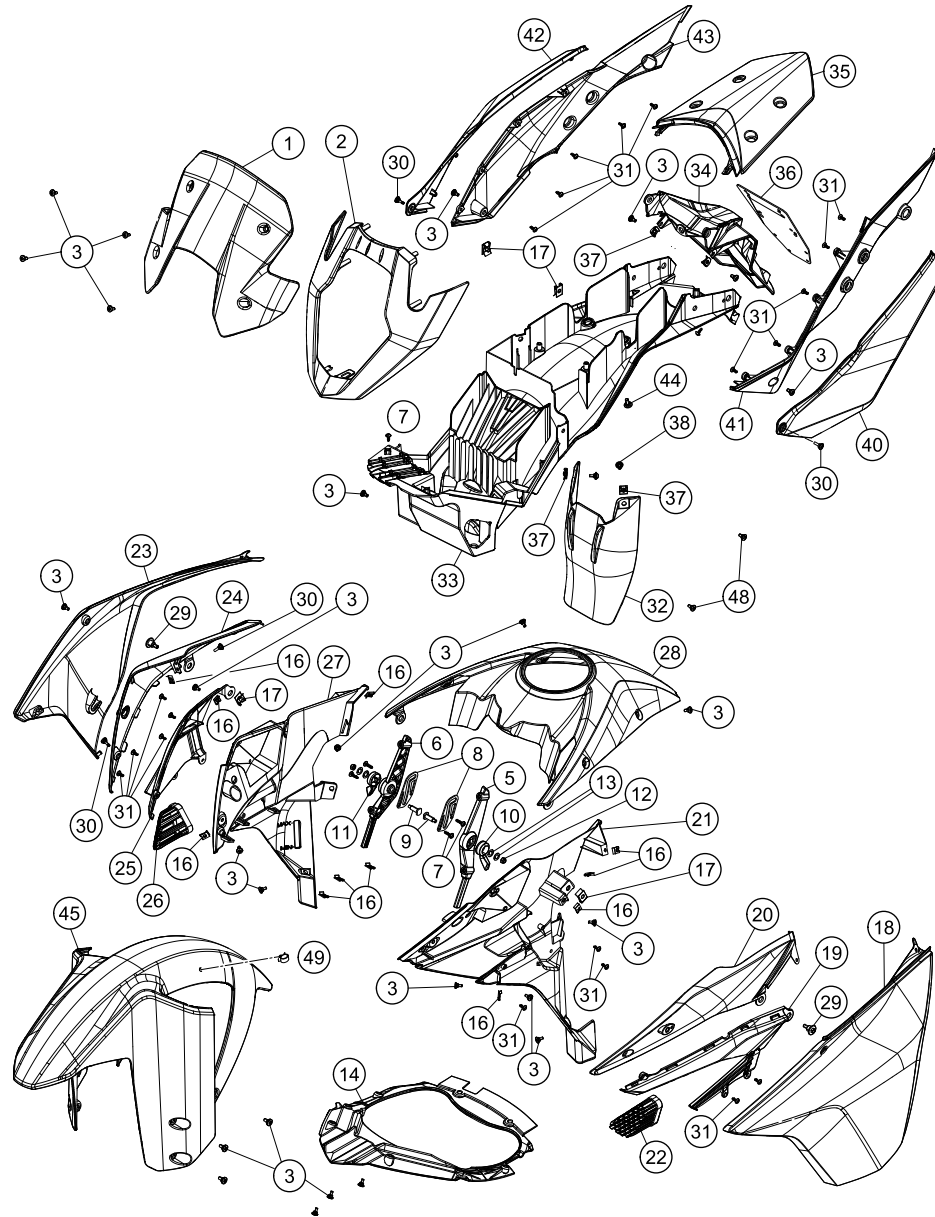
166030816

POS	PARTNUMBER	PARTNAME	PIECE
1	60308008600	WINDSCREEN SHORT EU	1
2	6030800100028A	HEADLIGHT MASK WHITE	1
3	69008021160	SPECIAL SCREW M5X12	30
5	60308008050	WIND SHIELD SUPPORT L/S	1
6	60308008051	WIND SHIELD SUPPORT R/S	1
7	0081050181	SCREW FOR PLASTIC K50X18 T20	4
8	60308008055	SLIDING SHEET WIND SHIELD	2
9	60308008056	TENSION BOLT	2
10	60308008052	TENSION LEVER L/S	1
11	60308008053	TENSION LEVER R/S	1
12	0985060003	SELF LOCK. NUT DIN0985-M 6	2
13	0093081508	BELLEVILLE SPRING 8,2X15X0,8	4
14	60308005000	COCKPIT COVER LOWER SIDE	1
16	69008021080	RANGE CHANGE METAL NUT M5	14
17	54603048100	RANGE CHANGE METAL NUT M6	5
18	6030805000030A	SPOILER LEFT	1
19	6030800205033	AIR INTAKE L/S	1
20	60308002000B1A	MASK SPOILER L/S	1
21*	60308025100	INNER LINING LEFT	1
22	60308021050	COVERING GRID AIR INTAKE L/S	1
23	6030805100030A	SPOILER RIGHT	1
24	60308003000B1A	MASK SPOILER R/S	1
25	6030800305033	AIR INTAKE R/S	1
26	60308031050	COVERING GRID AIR INTAKE RIGHT	1
27*	60308026100	INNER LINING RIGHT	1
28	6030803000028A	COVER FUEL TANK WHITE	1
29	60035001000	SPECIAL SCREW M6X21 WS=8	2
30	69008021060	SPECIAL SCREW M5X17	6
31	0081050121	SCREW FOR PLASTIC K50X12 T20	25
32	60304050000	SPLASH PROTECTION	1
33*	60308019100	REAR END LOWER PART	1
34	60308015000	NUMBER PLATE SUPPORT	1
35	6030801300033	REAR FENDER	1
36	60012081200	LICENCE FITTING 06	1
37	54603048200	RANGE CHANGE METAL NUT M5	7
40	6030804100028A	SIDE COVER LEFT WHITE	1
41	6030804300033	REAR SIDE COVER LEFT	1
42	6030804200028A	SIDE COVER RIGHT WHITE	1

C166030816

* NEW PART

X ON DEMAND



POS	PARTNUMBER	PARTNAME	PIECE
43	6030804400033	REAR SIDE COVER RIGHT	1
44	83008000015	SPECIAL SCREW M6X15X3	2
45	6030801000033	FRONT FENDER	1
48	0025060126	HH COLLAR SCREW M6X12 TX30	4
49	58111076000	CABLE SUPPORT KHS NR.150-47610	2

166030816

C166030816

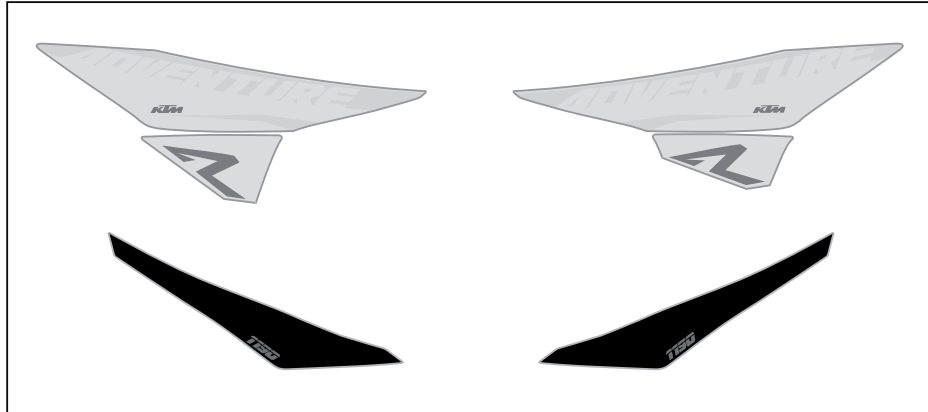
* NEW PART

X ON DEMAND

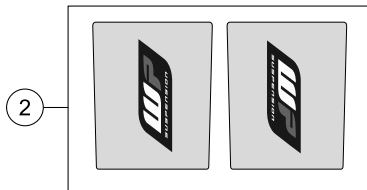
DECAL

1190 ADVENTURE R ABS EU 2016

POS	PARTNUMBER	PARTNAME	PIECE
1	60308099000	DECAL SET 1190 ADVENTURE R	1
2	60308192000	DECAL SET FRONT FORK WP	1



1



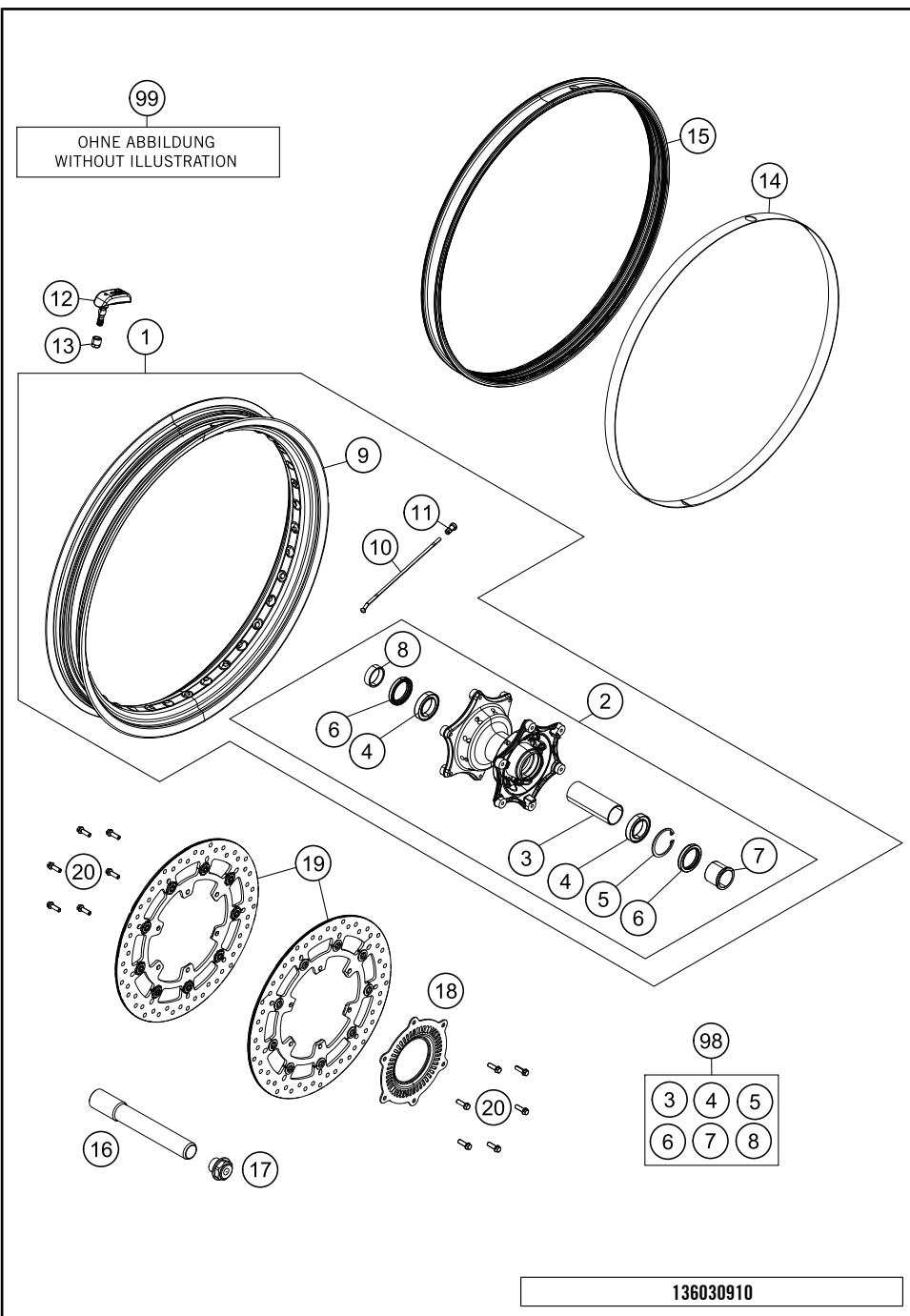
2

136030830

C136030830

* NEW PART

X ON DEMAND

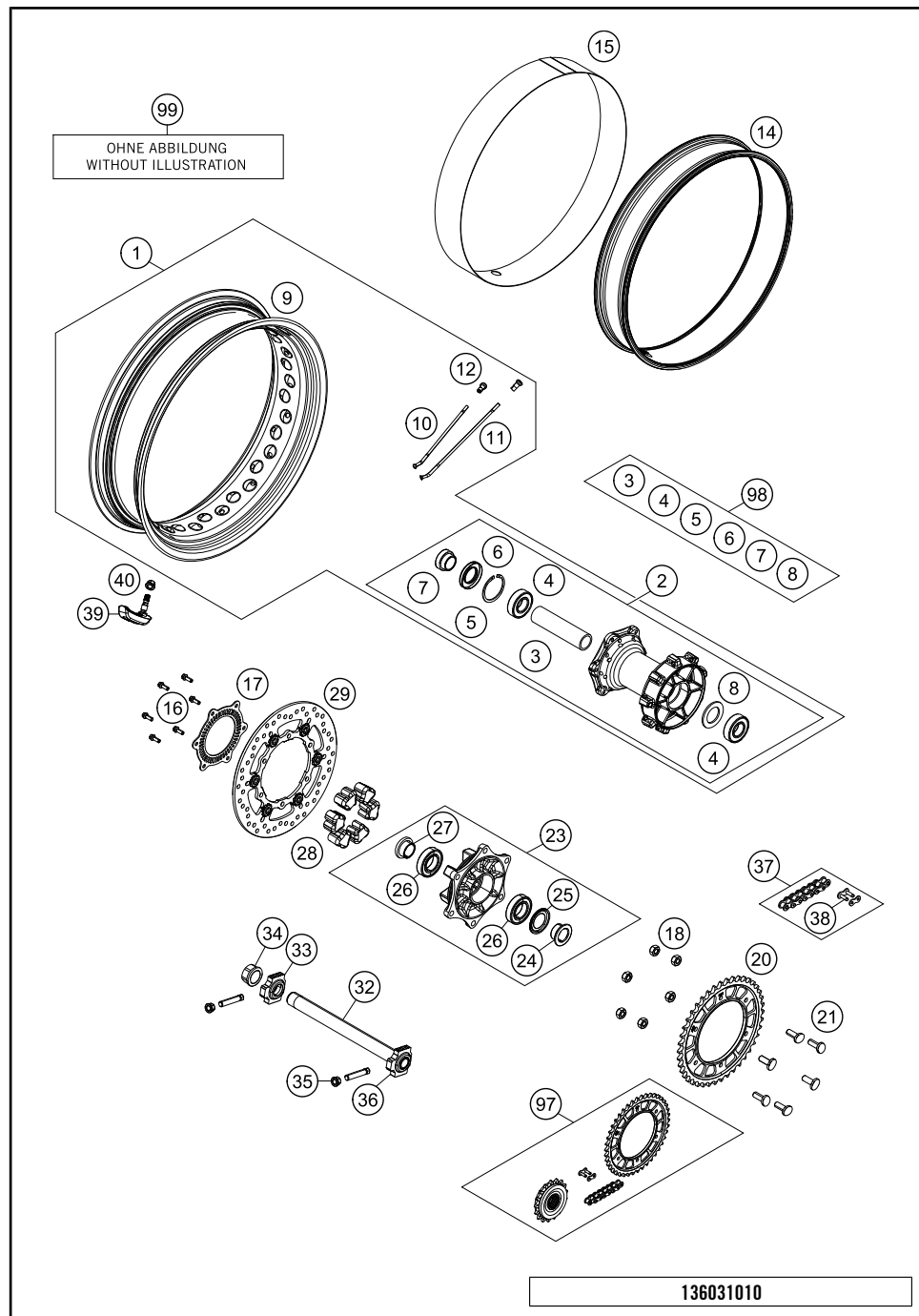


POS	PARTNUMBER	PARTNAME	PIECE
1*	6030900124430	FRONT WHEEL CPL. 2.5X21" BLACK	1
2*	6030901014433	FRONT HUB CPL.	1
3	60309011000	BUSHING SPACER TUBE FRONT	1
4	0625069068	GR.BALL BEAR.6906 DDU2CG23S6NM	2
5	0472047175	CIRCLIP DIN0472-47X1,75	1
6	0760354771	SHAFT SEAL RING 35X47X7 TC	2
7	60309012000	SPACER BUSH. FRONT WHEEL LEFT	1
8	60009013000	SPACER BUSH. FR. WHEEL R/S 03	1
9*	6030917010030A	RIM 2.5X21"	1
10	60309071000	SPOKE 5/4.37/M5	36
11	60310072100	SPOKE SIPPLE QUADRAX M5	36
12	60312033000	TIRE AIR PRESSURE SENSOR	1
13	60312033050	NUT AIR PRESSURE SENSOR	1
14	60309073100	RIM BAND 21"	1
15	60309177000	GASKET RUBBER 2.5"X21"	1
16	60309081000	AXLE FRONT	1
17	6900103600001	STEERING HEAD SCREW 09	1
18	60342020000	SENSOR GEAR ABS	1
19	6030906000030	BRAKE DISC FRONT D=320X4,5	2
20	59009062019	SPECIAL SCREW M6X19 WS=8 10.9	12
98	60309015000	FRONT WHEEL REP. KIT ADV 13-14	x
99	60312034044	VALVE KIT AIR PRESSURE SENSOR	1

136030910

C166030912

* NEW PART X ON DEMAND



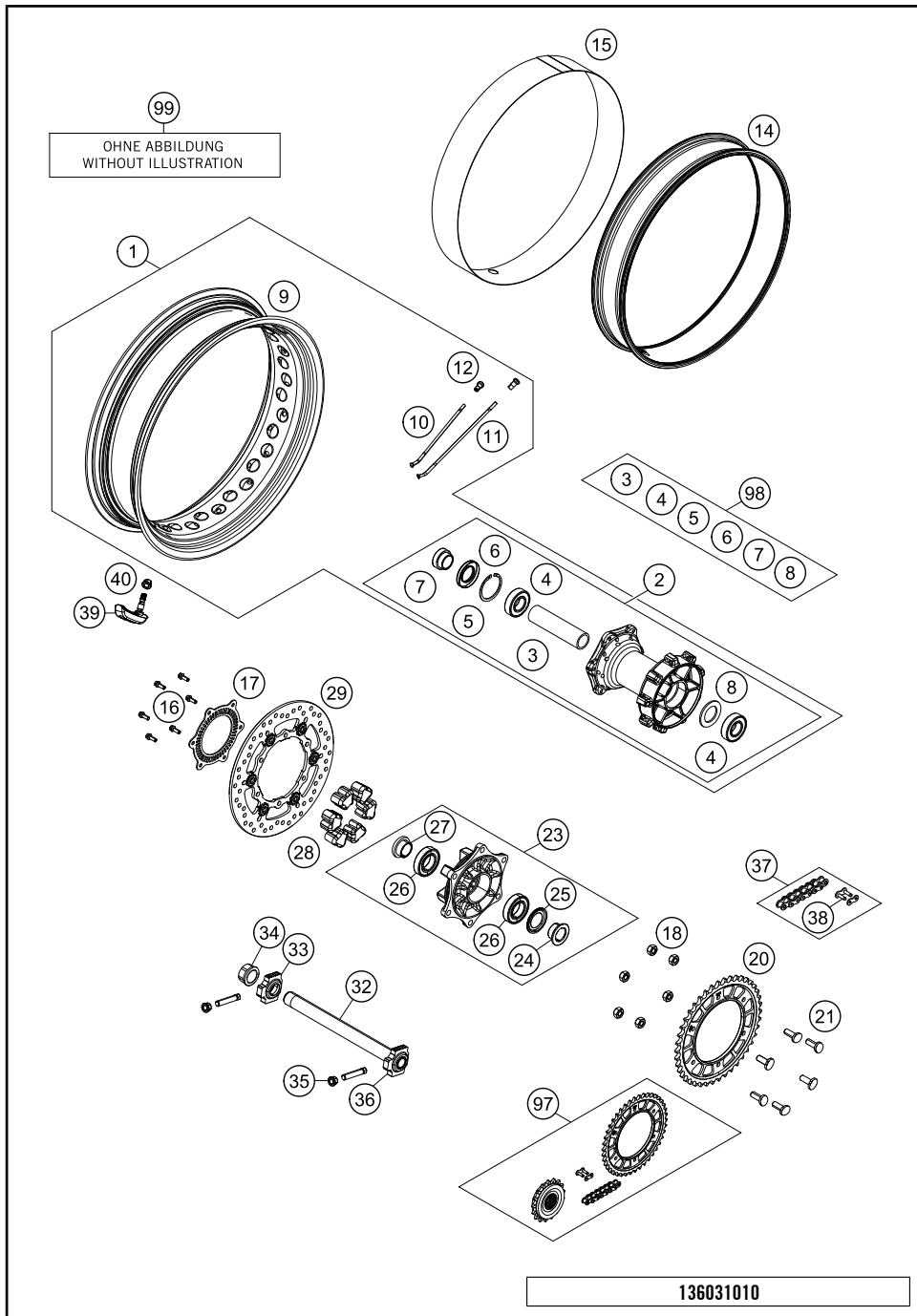
POS	PARTNUMBER	PARTNAME	PIECE
1*	6031000124430	REAR WHEEL CPL. 4.5X18"	1
2*	6031001014433	REAR HUB CPL.	1
3	60010011000	BEAR. SPACERTUBE L=124,8MM 03	1
4	0625062052	GR.BALL BEAR. 6205-2RSHC3HMTF7	2
5	0472052200	CIRCLIP DIN0472-52X2	1
6	0760305271	SHAFT SEAL RING 30X52X7	1
7	60310013000	SPACER BUSHING REAR WHEEL R/S	1
8	60010015000	SPACER RING 03	1
9*	6031007010030A	RIM 4.5"X18" TUBELESS	1
10	60310171000	SPOKE 5/4.37/M5	18
11	60310071000	SPOKE 5/4.37/M5	18
12	60310072100	SPOKE SIPPLE QUADRAX M5	36
14	60310177100	GASKET RUBBER 4.5"X18"	1
15	60310073100	RIM BAND 18"	1
16	59009062016	SPECIAL SCREW M6X16 WS=8 10.9	6
17	60142021100	SENSOR GEAR ABS REAR	1
18	0980101253	HEXAG.NUT DIN 980V M10X1,25 SL	6
20	60010051042	REAR SPROCKET 42-T 03	1
21	60010052000	SPROCKET SCREW M10X1,25 03	6
23	6011005004433	SPROCKET SUPPORT CPL. BLACK	1
24	60110012000	SPACER BUSH. SPROCKET SUPP. 06	1
25	60110016000	NILOS RING 6006AV	1
26	0625060060	BALL BEARING 6006 DDU2CG23S6NM	2
27	60110014000	SPACER BUSH. SPR. SUPP. IN. 06	1
28	54610459000	RUBBER DAMPING BLOCK '91	6
29	6031006000030	BRAKE DISK REAR	1
32	60310081044	AXLE REAR CPL.	1
33	60010084000	CHAIN TENSIONER R/S LC8 03	1
34	61010086000	COLLAR NUT M25X1,5 WS=32 05	1
35	58414030000	HH COLLAR NUT M10X1,25 WS=13	2
36	50304040100	SCREW M10X1,25X50 WS=10	2
37*	60410165118	CHAIN 525 SDZZ WITH MAST. LINK RIVET TOOL NECESSARY	1
38*	60410066000	MASTER LINK F.CHAIN 525 SDZZ	x
39	60312033000	TIRE AIR PRESSURE SENSOR	1
40	60312033050	NUT AIR PRESSURE SENSOR	1
97	00050002013	DRIVETRAIN KIT ADV/-S 17T/42T	x

* NEW PART

X ON DEMAND

REAR WHEEL

1190 ADVENTURE R ABS EU 2016

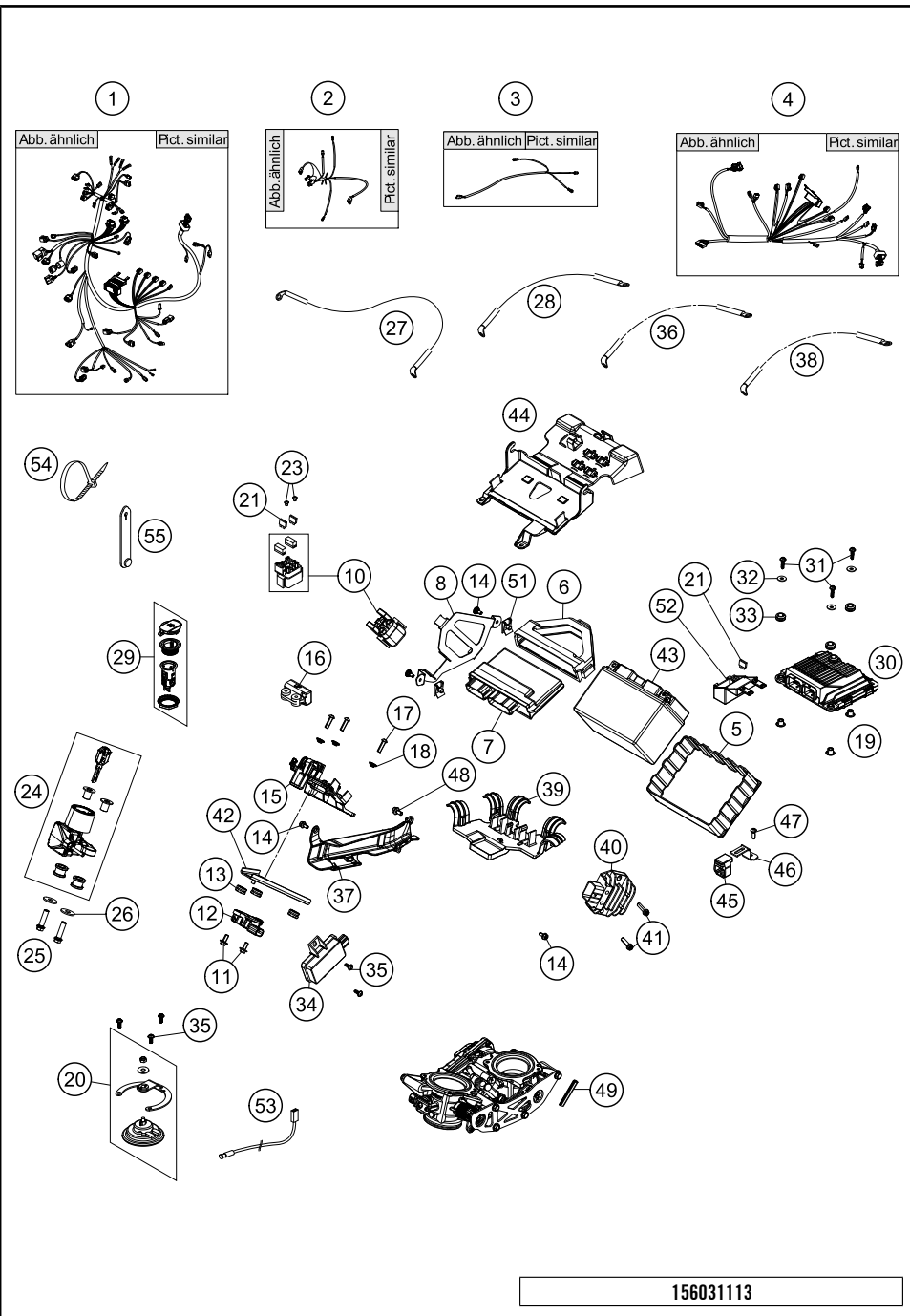


POS	PARTNUMBER	PARTNAME	PIECE
98	60310015000	REAR WHEEL REP. KIT ADV 13-14	X
99	60312034044	VALVE KIT AIR PRESSURE SENSOR	1

C166031012

* NEW PART

X ON DEMAND

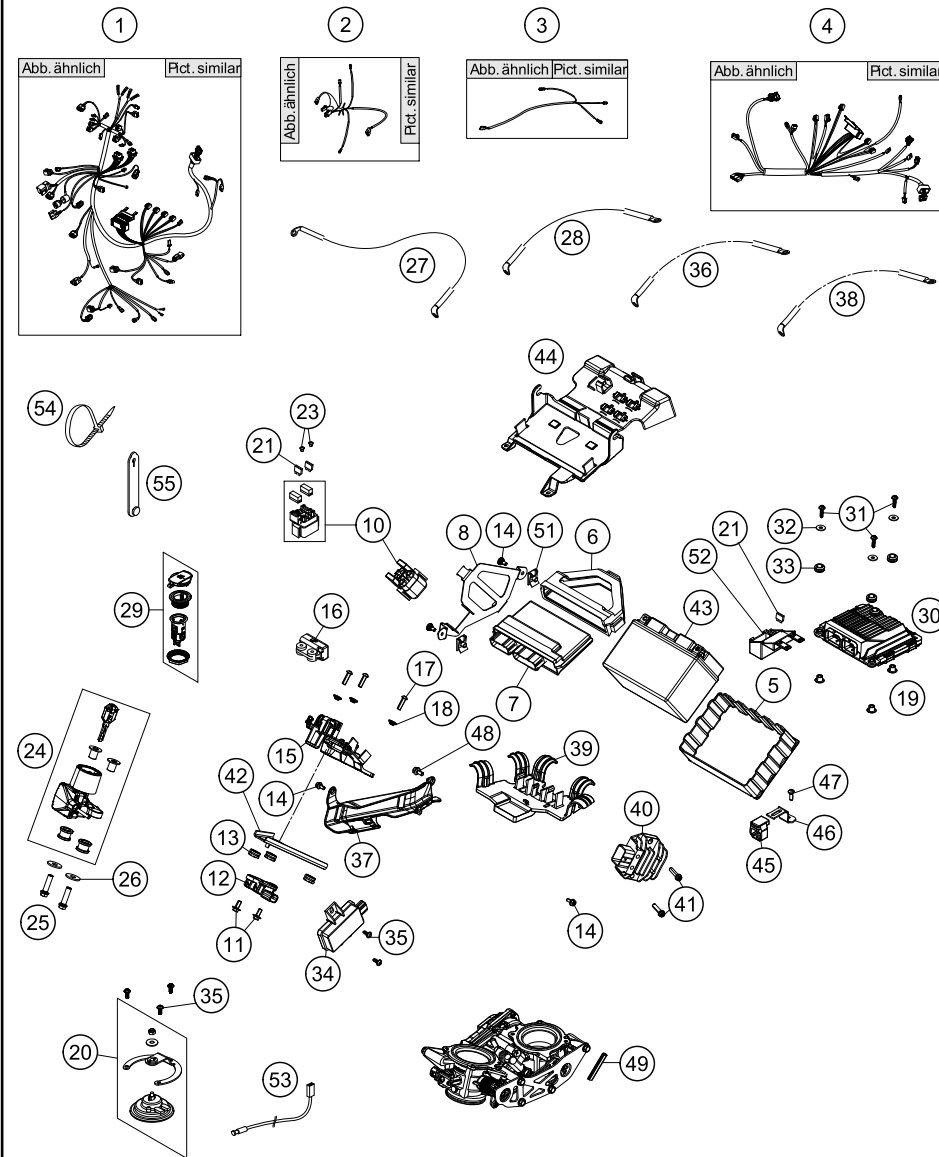


POS	PARTNUMBER	PARTNAME	PIECE
1	60311175000	MAIN WIRING HARNESS	1
2	60311085000	WIRING ENGINE	1
3	60311079000	WIRING HARNESS HEAD LIGHT	1
4	60311076000	REAR WIRING HARNESS	1
5	60311053050	BATTERIE HOUSING	1
6	60341031050	ECU RUBBER BRACKET	1
7	61341031000	ELECTRONIC CONTROL UNIT	1
8	60311057050	BRACKET ELECTRIC	1
10	58211058000	STARTER RELAY 12V '99	1
11	0024060136	HH COLLAR SCREW M6X13 TX30	2
12	60342090000	SLOPING POSITIONS SENSOR	1
13	62142041000	DAMP. COMPONENT ABS MODUL	3
14	69008021160	SPECIAL SCREW M5X12	5
15	60311048100	SUPPORT BRACKET FRONT	1
16	61041088000	ROLLOVER SENSOR 05	1
17	0738060201	FLAT HEAD SCREW ISO7380 M6X20	3
18	60611046000	COLLAR BUSHING 6,5X8,8X12,5X10	3
19	69014015000	BUSHING HEAD LIGHT 08	3
20	60311060100	HORN	1
21	58011109140	FUSE 40 A	x
21	58011109130	FUSE 30 A	x
21	58011109125	FUSE 25 A	x
21	58011109115	FUSE 15 A	x
21	58011109110	FUSE 10 A 2000	x
23	0902060083	AH OVAL SCREW ISO 7380 M 6X8	2
24	60311066000	% IGNITION LOCK	1
25	0025080306S	HH COLLAR SCREW M8X30 TX40	2
26	0021080003	WASHER DIN9021-A 8,4	2
27	60311059000	STARTER CABLE	1
28	60311098000	GROUND CABLE	1
29	60311042000	POWER OUTLET 12V	1
30	60311033200	MOTORCYCLE CONTROL UNIT 2.1	1
31	0081050181	SCREW FOR PLASTIC K50X18 T20	3
32	0021050003	WASHER DIN9021-A 5,3	3
33	60006001022	RUB.SLEEVE FLOAT CHAMB.VENTING	3
34	60312032000	RECEIVER AIR PRESSURE SENSOR	1
35	0081050121	SCREW FOR PLASTIC K50X12 T20	7
36	60311097000	GROUND CABLE	1

156031113

C166031113

* NEW PART X ON DEMAND



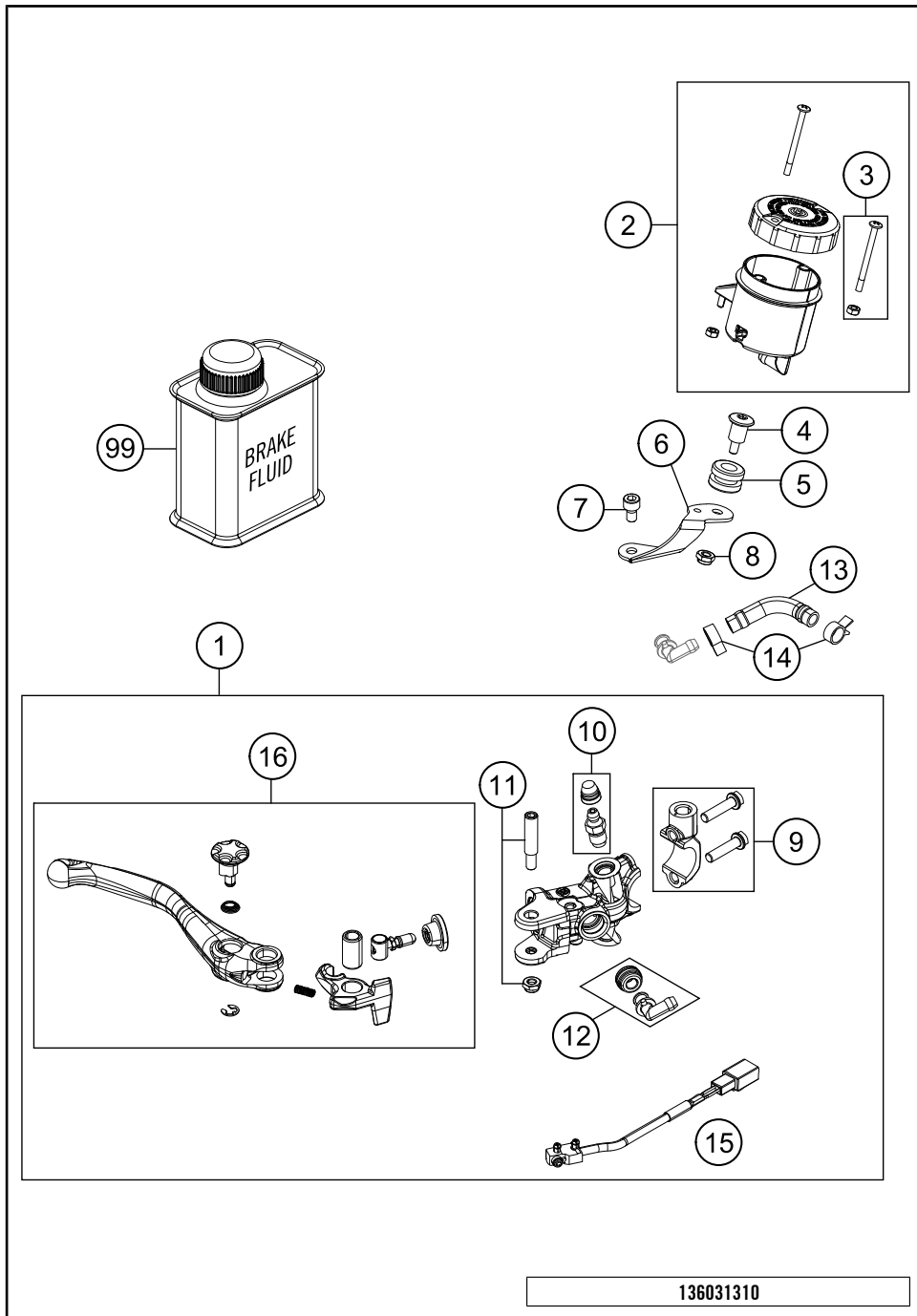
POS	PARTNUMBER	PARTNAME	PIECE
37	60311047000	CABLE CHANNEL R/S	1
38	60311059050	BATTERIE CABLE	1
39	60311049100	SUPPORT BRACKET REAR	1
40	60311034000	VOLTAGE REGULATOR	1
41	0025060206	HH COLLAR SCREW M6X20 TX30	2
42	60342090040	BRACKET SLOPING POSITIONS SENS	1
43	60011053000	BATTERY 12V/11AH 03	1
44	60308017000	BATTERIE COVER	1
45	61041085050	RUBBER SUPP. PRESSURE SENS. 05	1
46	60311040100	BRACKET PRESSURE SENSOR	1
47	0081050161	EJOT PT SCREW K50X16 1451	1
48	0023060123	COLLAR SCREW M6X12 TX	1
49	61011055045	EDGE PROTECTOR L=45MM 05	2
51	54603048200	RANGE CHANGE METAL NUT M5	2
52	58411087050	RUBBERCOVER F.LOCKHOLDER	1
53	61111018000	TEMPERATURE SENSOR 07	1
54	44011076140	CABLE TIE 140/2,5MM BLACK	x
54	44011076200	CABLE TIE 200/3,6MM BLACK	x
54	44011076305	CABLE TIE 300/4,8MM BLACK	x
55	60011093045	RUBBER CABLE TIE 45MM 03	x
55	60011093060	RUBBER CABLE TIE 60MM 03	x

156031113

C166031113

* NEW PART

X ON DEMAND

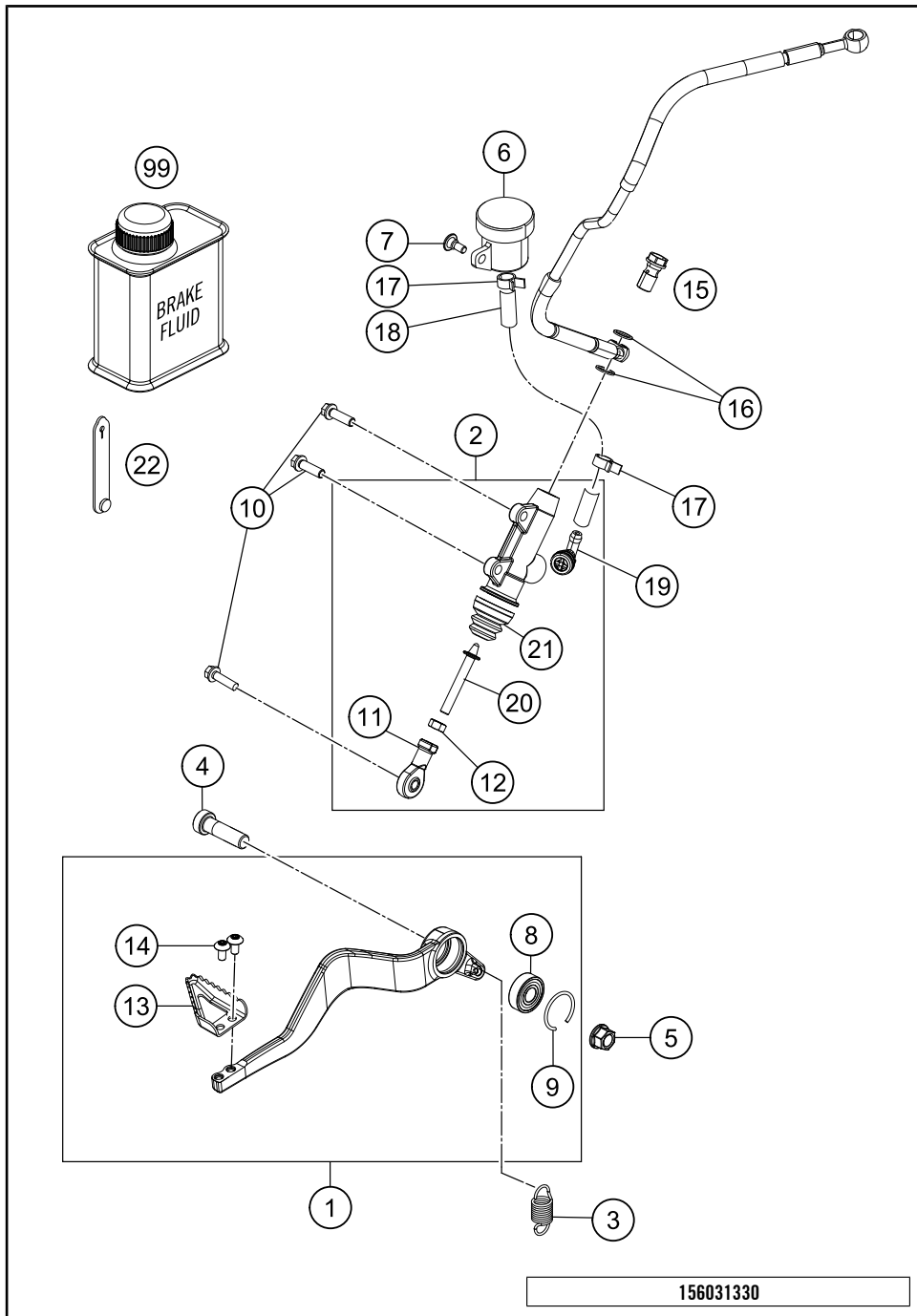


POS	PARTNUMBER	PARTNAME	PIECE
1	6201300110030	HAND BRAKE CYLINDER CPL. BLACK	1
2	61013009202	BRAKE FLUID RESERVOIR CPL.	1
3	61013009203	SCREW + NUT F. RESERVOIR	1
4	61013013050	SCREW RET.PANEL-RESERVOIR	1
5	61013013000	RUBBER BUSH 05	1
6	61013009001	RET.PANEL FLUID RES. FRONT 05	1
7	61013021000	SCREW RET.PANEL-BRAKE CYLINDER	1
8	61013009004	NUT FOR RESERVOIR	1
9	61013005000	CLAMP CPL. 05	x
9	76013005000	CLAMP CPL.	1
10	60013020000	BLEEDER SCREW WITH CAP	1
11	61013006000	LEVER SCREW CPL. 05	1
12	54513155000	ANGLE PIECE	1
13	58007016101	HOSE FOR RESERVOIR 6X1,5	1
14	58007017000	YDNAC CLAMP 10101 (10,4MM)	2
15	60311050000	BRAKE LIGHT SWITCH FRONT	1
16	6251300214430	HAND BRAKE LEVER CPL. BLACK	1
99	00062030000	BRAKE FLUID DOT5.1 0,25L	1

136031310

C136031310

* NEW PART X ON DEMAND



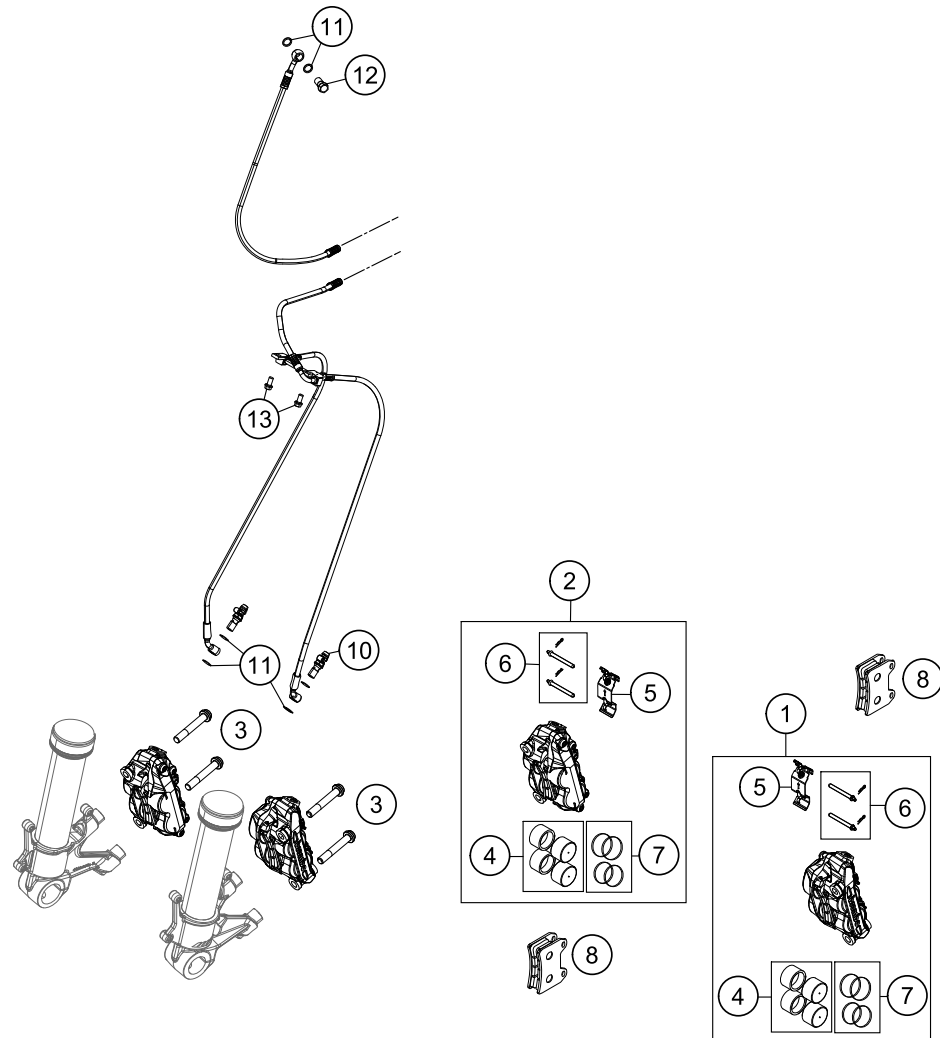
POS	PARTNUMBER	PARTNAME	PIECE
1	6031305004433S	FOOT BRAKE LEVER KPL.	1
2	6031306000030	REAR BRAKE CONTROL	1
3	54603062100	RETURN SPRING FOR BRAKE LEVER	1
4	0032100356S	AH-COLLAR SCREW M10X35 ISA45	1
5	54630044000	COLLAR NUT M10 WS=13	1
6	54513030044	BRAKE FLUID RESERVOIR '89	1
7	69013099050	SCREW F. EXPANSION TANK	1
8	0625060002	BALL BEARING SKF 6000-2RS1	1
9	0993026500	LOCK RING DIN7993-B26	1
10	0025060206	HH COLLAR SCREW M6X20 TX30	3
11	54603069000	SWIVEL HEAD M6 FOOT BRAKE LEV.	1
12	0934060003	HEXAGON NUT DIN0934-M 6	1
13	60313051000	STEP PLATE FOOT BRAKE LEVER	1
14*	78105081010	SCREW TORX M5X10	2
15	62113020100	HOLL. SCREW M10X1X19.5	1
16	0603100141	COPPER GASKET DIN7603-10X14X1	2
17	58007017000	YDNAC CLAMP 10101 (10,4MM)	2
18	69013069001	HOSE FOR RESERVOIR 6X1,5	1
19	54513155000	ANGLE PIECE	1
20	60313056044	PUSH ROD CPL.	1
21	54513151000	RUBBER SLEEVE	1
22	60011093045	RUBBER CABLE TIE 45MM 03	1
23	50213161000	COLLAR BUSHING	2
24	54513038000	BRAKE CYL. PROTECTOR "BREMBO"	1
99	00062030000	BRAKE FLUID DOT5.1 0,25L	1

156031330

C166031330

* NEW PART

X ON DEMAND



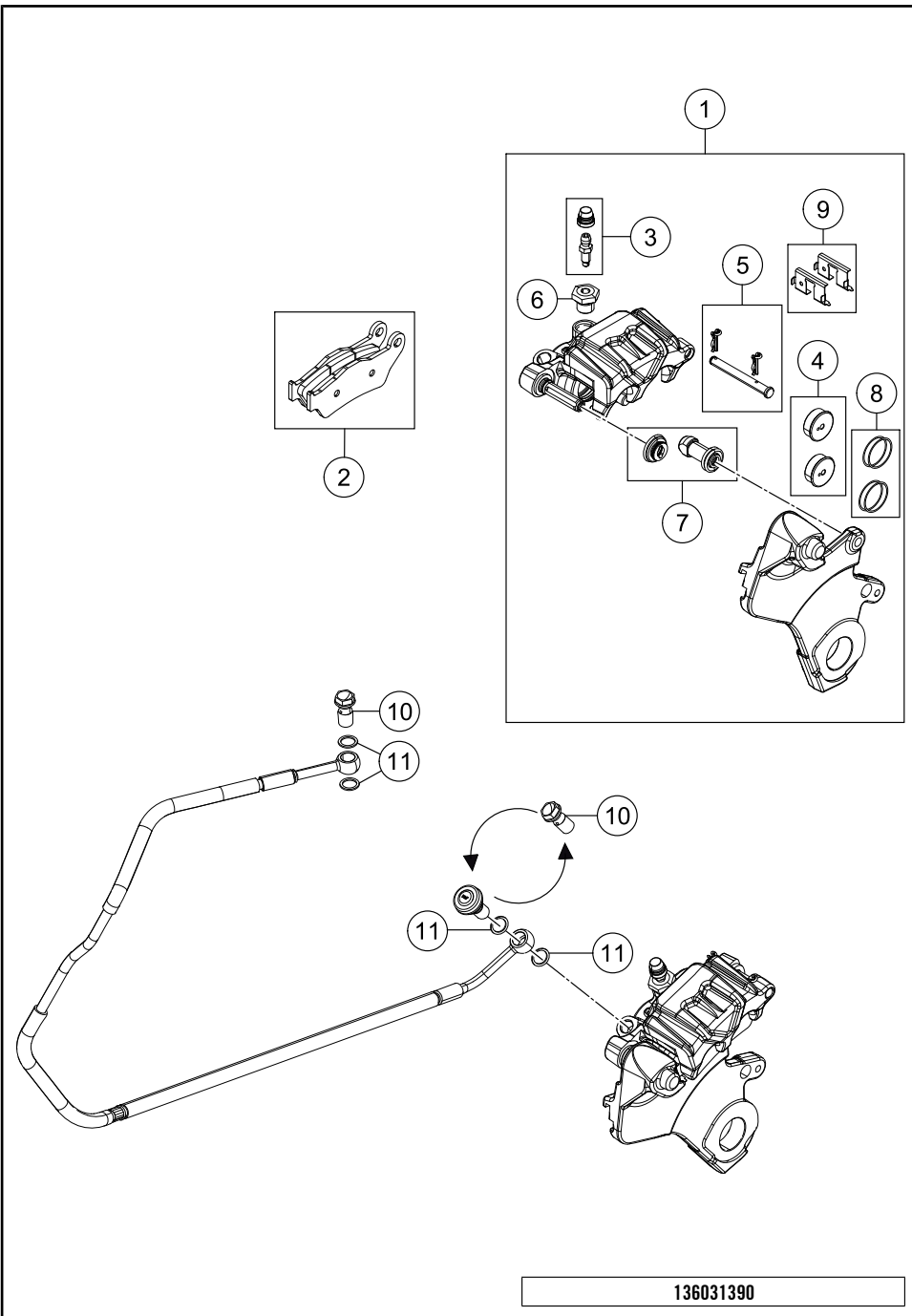
POS	PARTNUMBER	PARTNAME	PIECE
1	6031301500130	BRAKE CALIPER FR. L/S W/O PADS	1
2	6031301600130	BRAKE CALIPER FR. R/S W/O PADS	1
3*	0035100559S	AH-COLLAR SCREW M10X1,25X55SS	4
4	76013019000	BRAKE PISTON CPL.	2
5	58713018000	RETAINING SPRING BREMBO '99	2
6	58713017000	BOLT WHITH CLIP '99	2
7	76013019050	REPAIR KIT SEALING RINGS 4X	2
8	60313130000	BRAKE PADS FRONT TT2172	2
10	62513020000	BLEEDER SCREW CPL. 05	2
11	0603100141	COPPER GASKET DIN7603-10X14X1	6
12	62113020100	HOLL. SCREW M10X1X19.5	1
13	0025060126	HH COLLAR SCREW M6X12 TX30	2

136031360

C156031360

* NEW PART

X ON DEMAND

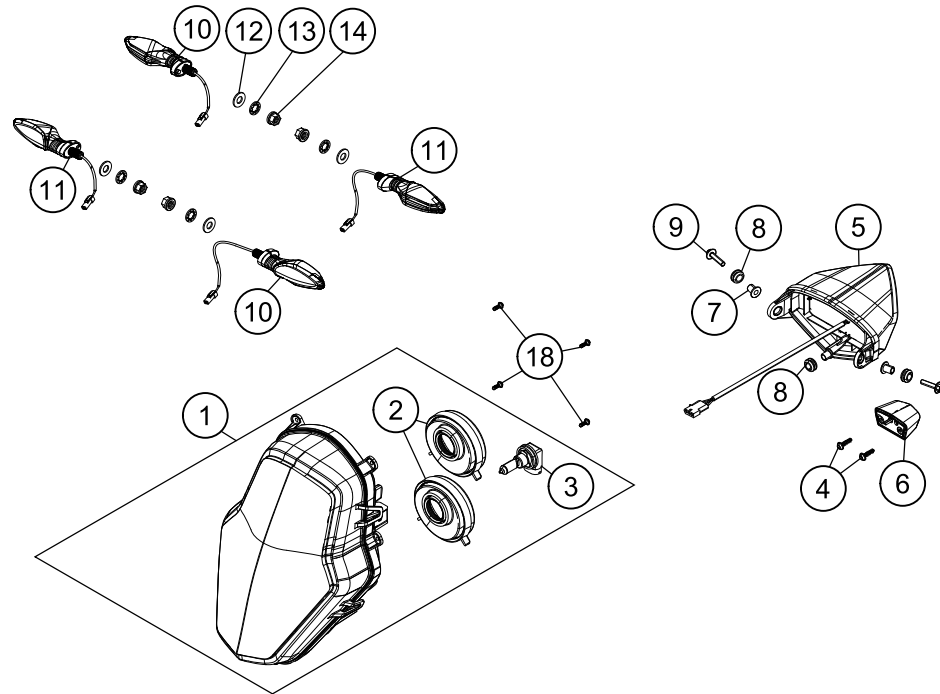


POS	PARTNUMBER	PARTNAME	PIECE
1	6031308010130	BRAKE CALIPER REAR W/O PADS	1
2	50313030000	BRAKE PAD SET FR. TOSHIBA H38	1
3	60013020200	BLEEDER SCREW WITH CAP M6	1
4	60013083200	BRAKE PISTONS 05	1
5	77013017000	BOLT CPL. 09	1
6	60013020100	ADAPTER SCREW	1
7	54613218000	CUP SET SHORT	1
8	60013081000	REP.KIT SEALING RINGS	1
9	60013018100	RETAINING PLATE SET REAR 03	1
10	62113020100	HOLL. SCREW M10X1X19.5	2
11	0603100141	COPPER GASKET DIN7603-10X14X1	4

136031390

C136031390

* NEW PART X ON DEMAND



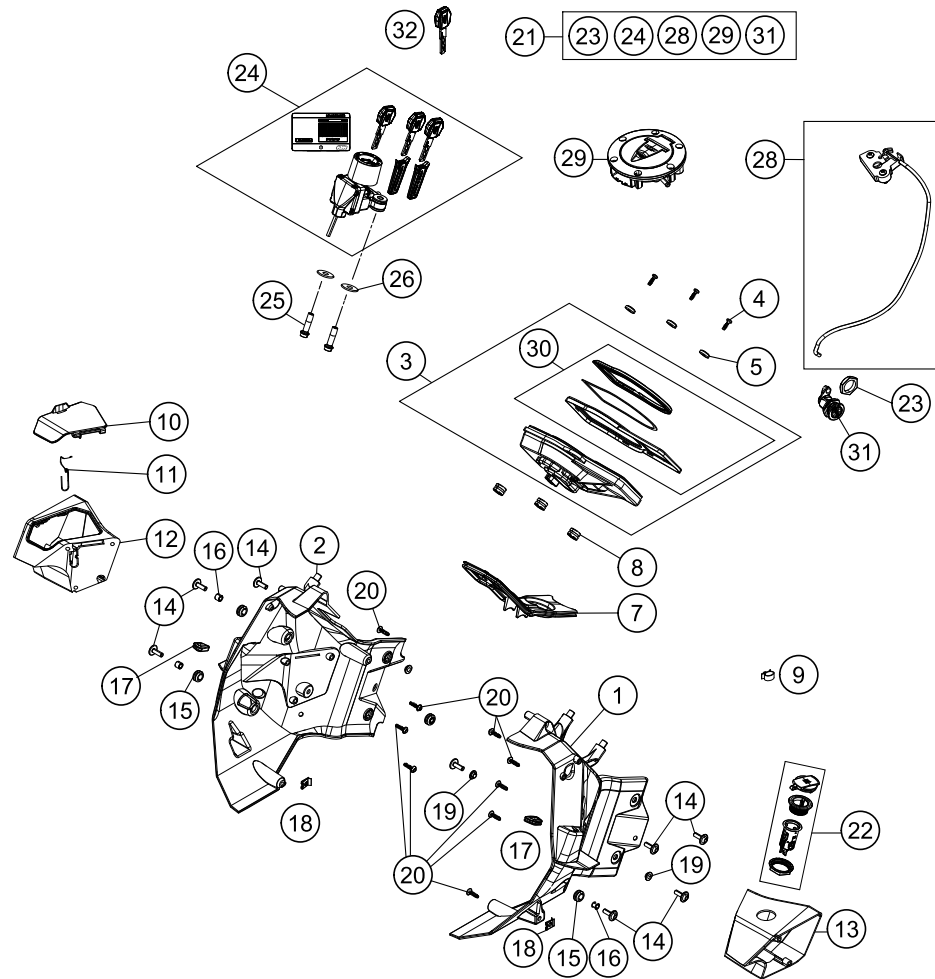
POS	PARTNUMBER	PARTNAME	PIECE
1	60314001100	HEAD LIGHT TFL	1
2	60314001050	CAP H11	2
3	60314003000	LAMP H11 12V 55W	2
4	0081050121	SCREW FOR PLASTIC K50X12 T20	2
5	60314040000	REAR LIGHT	1
6	60314047000	NUMBER PLATE LIGHT	1
7	60308006000	COLLAR BUSHING 6,2X9,2X15X12,5	2
8	60006001022	RUB.SLEEVE FLOAT CHAMB.VENTING	3
9	0024060256	HH COLLAR SCREW M6X25 TX30	2
10*	60314025000	FLASHER L/S	2
11*	60314026000	FLASHER R/S	2
12	0433100003	WASHER 18x10,5x1,6	4
13	0797100003	LOCK WASHER DIN6797-J10,5 ZI	4
14	58414030000	HH COLLAR NUT M10X1,25 WS=13	4
18	0081045121	SCREW FOR PLASTIC K45X12 T20	4

166031410

C166031410

* NEW PART

X ON DEMAND



POS	PARTNUMBER	PARTNAME	PIECE
1	60314010000	COCKPIT SUPPORT L/S	1
2	60314011000	COCKPIT SUPPORT R/S	1
3*	60414069000	SPEEDOMETER	1
4	0081250141	SCREW FOR PLASTIC PT K50X14T25	3
5	60308045000	SPECIAL WASHER 4.5X16	3
7	60314012000	IGNITION LOCK CAP	1
8	61314069051	DAMP. COMPONENT SPEEDOMETER	3
9	57013072100	WIRING HOLDER 16MM	1
10	60314079000	STORAGE BOX COVER	1
11	60314080000	STORAGE BOX SPRING	1
12	60314078000	STORAGE BOX	1
13	60314070000	COCKPIT COVER L/S	1
14	69014017000	SPECIAL SCREW M6X18 ISA30 08	8
15	60006001022	RUB.SLEEVE FLOAT CHAMB.VENTING	4
16	69014014000	BUSHING 6,1X9,2X7,5 08	4
17	60308008057	RUBBER SLEEVE	2
18	54603048400	RANGE CHANGE MET. NUT M5 15460	2
19	69004060050	BUSHING CHAIN GUARD 08	4
20	0081050181	SCREW FOR PLASTIC K50X18 T20	13
21*	60311066344	LOCK SYSTEM GKS CPL.	1
22	60311042000	POWER OUTLET 12V	1
23	69007050050	NUT SEAT LOCK M22X1,5	1
24	60311066100	IGNITION LOCK	1
25	0025080306S	HH COLLAR SCREW M8X30 TX40	2
26	0021080003	WASHER DIN9021-A 8,4	2
28	60307050000	SEAT LOCK CPL.	1
29	60307008100	TANK CAP	2
30	60314069050	SPEEDOMETER FRAME CPL.	1
31	60307050020	LOCK CYLINDER SEAT LOCK	1
32*	60411067000	IGNITION KEY KTM	1

166031430

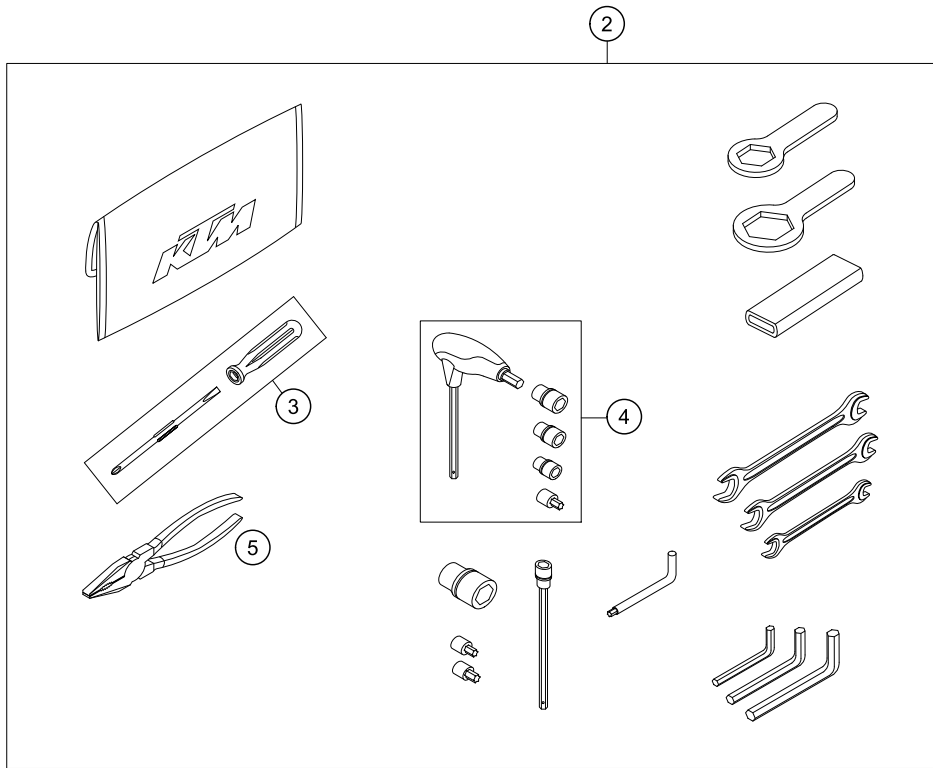
C166031430

* NEW PART

X ON DEMAND

0
OHNE ABBILDUNG
WITHOUT ILLUSTRATION

1
TECHNISCHE DOKUMENTATION
TECHNICAL DOCUMENTATION
DOCUMENTACION TECNICA
DOCUMENTATION TECHNIQUE
NOTE TECNICHE

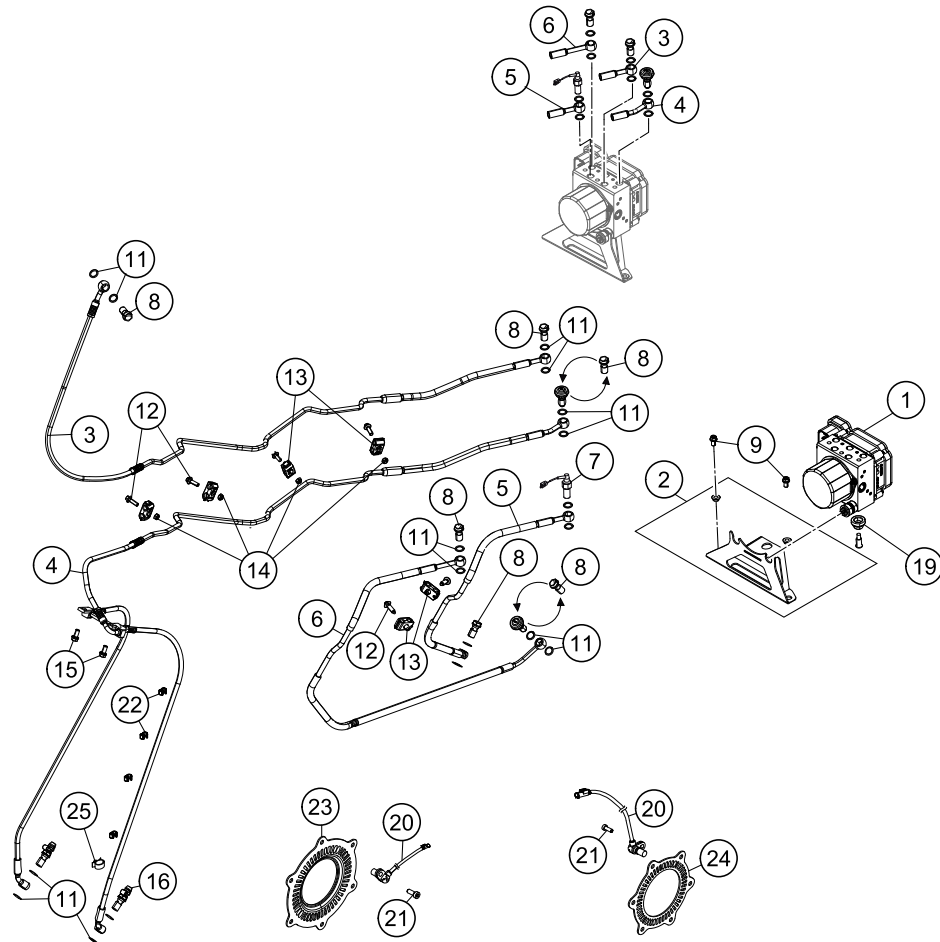


136032000

POS	PARTNUMBER	PARTNAME	PIECE
0	50303018000	RUBBER L=145MM	1
0	60308008600	WINDSCREEN SHORT EU	1
0	00063099111	BAG FOR INSTR. MANUAL 245X170	1
0	69008021160	SPECIAL SCREW M5X12	4
0	60335040000	RADIATOR PROTECTOR	1
0	58412080000	REFLECTOR RED	1
0	58412080050	BRACKET FOR REFLECTOR	1
0	00063004105	950 ADV. CARTON F WIND PROT.	1
0	40006006000	WASHER 6MM	2
0	00063004012	HEADLIGHT MASK BOX	1
0	0966050163	OVAL HEAD SCREW DIN0966-M 5X16	2
0	0125050003	WASHER DIN0125-A 5,3	2
0	0985050003	SELF LOCKING NUT DIN0985-M 5	2
0	312305	DOCUMENTS BAG 2006	1
0	3210040	CUSTOMER WELCOME LETTER	1
0	312313	KTM BALLPOINT PEN ORANGE	1
0	00063004202	PRINT LABEL 60X51 MM	1
0	60012081200	LICENCE FITTING 06	1
0	0024060156	HH COLLAR SCREW M6X15 TX30	4
0	0021060003	WASHER DIN9021-A 6,4	4
0	0985060003	SELF LOCK. NUT DIN0985-M 6	4
0	0125060003	WASHER DIN0125-A 6,4	2
0	69014017000	SPECIAL SCREW M6X18 ISA30 08	2
0	45239060050	COLLAR BUSHING 6,3X8X13X9,5	2
0	60312040000	MIRROR	2
0	6030319000030	SKID PLATE ADV	1
0	60003096000	VIBRATION DAMPER 03	2
0	0025060406	HH COLLAR SCREW M6X40 TX30	2
0	3212601GB	POWER WEAR FOLDER 2015	1
0	3212475DE/GB	PP 1190 ADVENTURE FOLDER 2013	1
0	3PW137150	KEYHOLDER ADVENTURE	1
0	60308192000	DECAL SET FRONT FORK WP	1
0	6031296824404	CRASH BAR SET CPL. ORANGE	1
1	3213389EN	OWN. MAN. 1190 ADVENTURE R 16	1
2	60329099000	TOOL KIT	1
3	53012024100	SCREW DRIVER L=105MM	1
4	60029070300	T-WRENCH WS=6/8/10/TX45/SK4X1	1
5	53012028200	GRIP ORANGE B&F	1

C166032002

* NEW PART X ON DEMAND



POS	PARTNUMBER	PARTNAME	PIECE
1	60342031144	ABS MODULE FILLED	1
2	60342040044	SUPPORT ABS-MODULE CPL.	1
3	60342003000	HOSE HAND BRAKE CYLINDER	1
4	60342004000	HOSE BRAKE CALIPER FRONT	1
5	60342001000	BRAKE HOSE REAR BRAKE CONTROL	1
6	60342002000	HOSE BRAKE CALIPER REAR	1
7	60311051000	BRAKE LIGHT SWITCH REAR	1
8	62113020100	HOLL. SCREW M10X1X19.5	6
9	0025060166	HH COLLAR SCREW M6X16 TX30	2
11	0603100141	COPPER GASKET DIN7603-10X14X1	18
12	0024050166	* HH COLLAR SCREW M5X16 TX30	6
13	60113146000	SUPPORT FOR BRAKE HOSE M5	6
14	0985050003	SELF LOCKING NUT DIN0985-M 5	6
15	0025060126	HH COLLAR SCREW M6X12 TX30	2
16	62513020000	BLEEDER SCREW CPL. 05	2
19	60342041000	DAMP RUBBER	1
20	76042025000	ABS-SENSOR	2
21	014580060166	CYL. SCREW DIN14580 M 6X16	2
22	60111094000	CLIP 5/7 MM 06	4
23	60342020000	SENSOR GEAR ABS	1
24	60142021100	SENSOR GEAR ABS REAR	1
25	58111076000	CABLE SUPPORT KHS NR.150-47610	2

136034210

C156034211

* NEW PART

X ON DEMAND



3H, DELTA, T

- ⑤ Ø 5 mm
- ⑥ Ø 6 mm
- ⑧ Ø 8 mm
- ⑩ Ø 10 mm
- ⑫ Ø 12 mm
- ⑭ Ø 14-14,5 mm
- ⑯ Ø 16 mm
- ⑳ Ø 20 mm
- ㉑ Ø 21 mm
- ㉒ Ø 22 mm
- ㉓ Ø 23 mm
- ㉔ Ø 24,5 mm
- ㉘ Ø 28,5 mm
- ㉚ Ø 32 mm
- ㉜ Ø 52 mm

POS	PARTNUMBER	PARTNAME	PIECE
5	44906890	WASHER 5X15X2	X
6	40540400	SHIM 6X12X0,1	X
6	40540401	SHIM 6X14X0,1	X
6	40540402	SHIM 6X16X0,1	X
6	40540403	SHIM 6X18X0,1	X
6	40540404	SHIM 6X12X0,15	X
6	40540405	SHIM 6X14X0,15	X
6	40540406	SHIM 6X16X0,15	X
6	40540407	SHIM 6X18X0,15	X
6	40540408	SHIM 6X12X0,2	X
6	40540409	SHIM 6X14X0,2	X
6	40540410	SHIM 6X16X0,2	X
6	40540411	SHIM 6X18X0,2	X
6	48600095	* SHIM 6X20X0,20	X
6	40540412	SHIM 6X12X0,25	X
6	40540413	SHIM 6X14X0,25	X
6	40540414	SHIM 6X16X0,25	X
6	40540415	SHIM 6X18X0,25	X
6	40540417	SHIM 6X8,5X0,10	X
6	40540418	SHIM 6X9X0,10	X
6	40540419	SHIM 6X9,5X0,10	X
6	40540423	SHIM 6X9,5X0,15	X
6	40540425	SHIM 6X8,5X0,20	X
6	40540426	SHIM 6X9X0,20	X
6	40540427	SHIM 6X9,5X0,20	X
6	40540447	SHIM 6X10X0,3	X
6	40540449	SHIM 6X9X0,3	X
6	40540450	SHIM 6X9,5X0,3	X
6	40540494	SHIM 6X18X0,4	X
6	40540774	SHIM 6X18X0,1 DELTA	X
6	40541383	SHIM 6X11X0,1	X
6	40541391	SHIM 6X11X0,3	X
6	40541402	SHIM 6X11X0,2	X
6	40541403	SHIM 6X10X0,20	X
6	40541404	SHIM 6X10X0,1	X
6	40541405	SHIM 6X10X0,15	X
6	40541406	SHIM 6X11X0,15	X
6	40541408	SHIM 6X8,0X0,30	X

080000190

C130009090

* NEW PART

X ON DEMAND



- ⑤ Ø 5 mm
- ⑥ Ø 6 mm
- ⑧ Ø 8 mm
- ⑩ Ø 10 mm
- ⑫ Ø 12 mm
- ⑭ Ø 14-14,5 mm
- ⑯ Ø 16 mm
- ⑳ Ø 20 mm
- ㉑ Ø 21 mm
- ㉒ Ø 22 mm
- ㉓ Ø 23 mm
- ㉔ Ø 24,5 mm
- ㉘ Ø 28,5 mm
- ㉚ Ø 32 mm
- ㉞ Ø 52 mm



POS	PARTNUMBER	PARTNAME	PIECE
6	40541414	SHIM 6X8,0X0,10	X
6	40541416	SHIM 6X8X0,3	X
6	40541417	SHIM 6X11X0,25	X
6	48600102	* SHIM 6X24X0,25	X
6	48600063	SHIM 6X24X0,1	X
6	48600064	SHIM 6X22X0,1	X
6	48600065	SHIM 6X20X0,1	X
6	48600069	SHIM 6X20X0,15	X
6	48600100	SHIM 6X24X0,15	X
6	48600116	SHIM 6X24X0,1 DELTA	X
6	48600139	SHIM 6X22X0,1 DELTA	X
6	48600217	BACKPLATE 6X10X0,25	X
6	48600325	SHIM 6X13X0,1	X
6	48600327	SHIM 6X15X0,1	X
6	48600329	SHIM 6X17X0,1	X
6	48600331	SHIM 6X19X0,1	X
6	48600096	* SHIM 6X20X0,25	X
6	48600097	SHIM 6X22X0,15	X
6	48600099	* SHIM 6X22X0,25	X
6	40540448	BACKPLATE 6X8,5X0,30	X
6	48600479	SHIM 6X20X0,1 T/3H	X
6	48600332	SHIM 6X21X0,1	X
6	48600333	SHIM 6X23X0,1	X
6	40541393	* SHIM 6X12X0,3	X
6	48600330	SHIM 6X17X0,15	X
6	48600988	SHIM 6X28X0,10	X
6	48600989	SHIM 6X26X0,10	X
6	48601091	SHIM 6X28X0,15	X
6	48601093	SHIM 6X26X0,15	X
6	48600328	SHIM 6X15X0,15	X
6	48600326	SHIM 6X13X0,15	X
6	48601548	SHIM 6X17X1,5	X
8	40540477	SHIM 8X18X0,4	X
8	43570120	SHIM 8X18X0,10	X
8	44916098	WASHER 8,4X16X0,8	X
8	44916130	WASHER 8,2X15X1	X
8	44916180	WASHER 8,2X11X1	X
8	48600214	SHIM 8X16X0,1	X

080000190

C130009090

* NEW PART

X ON DEMAND



- ⑤ Ø 5 mm
- ⑥ Ø 6 mm
- ⑧ Ø 8 mm
- ⑩ Ø 10 mm
- ⑫ Ø 12 mm
- ⑭ Ø 14-14,5 mm
- ⑯ Ø 16 mm
- ⑳ Ø 20 mm
- ㉑ Ø 21 mm
- ㉒ Ø 22 mm
- ㉓ Ø 23 mm
- ㉔ Ø 24,5 mm
- ㉘ Ø 28,5 mm
- ㉚ Ø 32 mm
- ㉜ Ø 52 mm



POS	PARTNUMBER	PARTNAME	PIECE
8	48600385	SHIM 8x14x0.25	X
8	48600346	SHIM 8X11X0,2	X
8	48600215	CHECK VALVE 8X20X0,1	X
8	48600485	SHIM 8X10X0,10	X
8	48601402	SHIM 8X13X0,10	X
8	48600350	CHECK VALVE 8X16X0,15	X
8	48600061	CHECK VALVE 8X24X0,4	X
8	48600062	CHECK VALVE 8X24X0,1	X
8	48600216	CHECK VALVE 8X22X0,1	X
8	48600480	SHIM 8X10X0,20	X
8	48600555	SHIM 8X16X0,20	X
8	48600213	SHIM 8X14X0,10	X
8	48600357	CHECK VALVE 8X11X0,1	X
8	48600351	CHECK VALVE 8X12X0,1	X
8	48600607	SHUTTLE VALVE 8X20X0,4	X
8	48601095	SHIM 8X17X0,10	X
8	48600352	CHECK VALVE 8X11X0,4	X
10	36120284	SHIM 10X16X0,10	X
10	36120298	SHIM 10X16X0,2	X
10	36120312	SHIM 10X16X0,30	X
10	36120314	SHIM 10X18X0,30	X
10	36120325	SHIM 10X19X0,15	X
10	36120327	SHIM 10X23X0,15	X
10	36120328	SHIM 10X25X0,15	X
10	36120329	SHIM 10X27X0,15	X
10	36120330	SHIM 10X29X0,15	X
10	36120331	SHIM 10X31X0,15	X
10	36120332	SHIM 10X33X0,15	X
10	36120334	SHIM 10X21X0,20	X
10	36120335	SHIM 10X23X0,20	X
10	36120336	SHIM 10X25X0,20	X
10	36120337	SHIM 10X27X0,20	X
10	36120338	SHIM 10X29X0,20	X
10	36120339	SHIM 10X31X0,20	X
10	36120340	SHIM 10X33X0,20	X
10	36120342	SHIM 10X21X0,25	X
10	36120343	SHIM 10X23X0,25	X
10	36120344	SHIM 10X25X0,25	X

080000190

C130009090

* NEW PART

X ON DEMAND



- ⑤ Ø 5 mm
- ⑥ Ø 6 mm
- ⑧ Ø 8 mm
- ⑩ Ø 10 mm
- ⑫ Ø 12 mm
- ⑭ Ø 14-14,5 mm
- ⑯ Ø 16 mm
- ⑳ Ø 20 mm
- ㉑ Ø 21 mm
- ㉒ Ø 22 mm
- ㉓ Ø 23 mm
- ㉔ Ø 24,5 mm
- ㉘ Ø 28,5 mm
- ㉚ Ø 32 mm
- ㉜ Ø 52 mm



POS	PARTNUMBER	PARTNAME	PIECE
10	36120345	SHIM 10X27X0,25	X
10	36120349	SHIM 10X19X0,30	X
10	36120350	SHIM 10X21X0,30	X
10	40140275	WASHER 10X35X0,15	X
10	36120346	* SHIM 10X29X0,25	X
10	50180010	* SHIM 16X24X0,10	X
10	36120604	SHIM D10XD22X2,5	X
12	46810490	SHIM 12X24X0,20	X
12	46810491	SHIM 12X26X0,20	X
12	46810492	SHIM 12X28X0,20	X
12	46810493	SHIM 12X30X0,20	X
12	46810494	SHIM 12X32X0,20	X
12	46810495	SHIM 12X34X0,20	X
12	46810496	SHIM 12X36X0,20	X
12	46810497	SHIM 12X38X0,20	X
12	46810498	SHIM 12X40X0,20	X
12	46810499	SHIM 12X24X0,25	X
12	46810500	SHIM 12X26X0,25	X
12	46810501	SHIM 12X28X0,25	X
12	46810502	SHIM 12X30X0,25	X
12	46810504	SHIM 12X34X0,25	X
12	46810505	SHIM 12X36X0,25	X
12	46810507	SHIM 12X40X0,25	X
12	46810508	SHIM 12X24X0,30	X
12	46810509	SHIM 12X26X0,30	X
12	46810510	SHIM 12X28X0,30	X
12	46810512	SHIM 12X32X0,30	X
12	46810513	SHIM 12X34X0,30	X
12	46810518	SHIM 12X26X0,15	X
12	46810519	SHIM 12X28X0,15	X
12	46810520	SHIM 12X30X0,15	X
12	46810521	SHIM 12X32X0,15	X
12	46810522	SHIM 12X34X0,15	X
12	46810523	SHIM 12X36X0,15	X
12	46810524	SHIM 12X38X0,15	X
12	46810525	SHIM 12X40X0,15	X
12	46810604	SHIM 12X20X0,10	X
12	46810606	SHIM 12X22X0,10	X

080000190

C130009090

* NEW PART

X ON DEMAND



3H, DELTA, T

- ⑤ Ø 5 mm
- ⑥ Ø 6 mm
- ⑧ Ø 8 mm
- ⑩ Ø 10 mm
- ⑫ Ø 12 mm
- ⑭ Ø 14-14,5 mm
- ⑯ Ø 16 mm
- ⑳ Ø 20 mm
- ㉑ Ø 21 mm
- ㉒ Ø 22 mm
- ㉓ Ø 23 mm
- ㉔ Ø 24,5 mm
- ㉘ Ø 28,5 mm
- ㉚ Ø 32 mm
- ㉜ Ø 52 mm

POS	PARTNUMBER	PARTNAME	PIECE
12	46810607	SHIM 12X23X0,10	X
12	46810608	SHIM 12X24X0,10	X
12	46810610	SHIM 12X27X0,15	X
12	46810611	SHIM 12X18X0,15	X
12	46810612	SHIM 12X19X0,15	X
12	46810615	SHIM 12X22X0,15	X
12	46810636	BACKPLATE 12X16X0,30	X
12	46810637	BACKPLATE 12X17X0,30	X
12	46810638	BACKPLATE 12X18X0,30	X
12	46810639	SHIM 12X19X0,30	X
12	46810641	BACKPLATE 12X21X0,30	X
12	46811582	BACKPLATE 12X30X0,10	X
12	46810631	SHIM 12X20X0,25	X
12	46810633	SHIM 12X22X0,25	X
12	46811580	SHIM 12X32X0,10	X
12	46810503	SHIM 12X32X0,25	X
12	46810517	* SHIM 12X24X0,15	X
12	46810640	SHIM 12X20X0,30	X
12	46811258	RING 12X24X2,5	X
12	46812018	SHIM 12X42X0,25	X
12	46812015	SHIM 12X44X0,20	X
14	46811046	SHIM 14,5X35,4X1,25	X
16	50180023	* SHIM 16X23X0,20	X
16	50180030	SHIM	X
16	50180006	BACKPLATE 16X20X0,10	X
16	50180007	SHIM 16X21X0,10	X
16	50180028	SHIM 16X21X0,25	X
16	50180210	WASHER 16X21X1	X
16	50180008	SHIM 16X22X0,10	X
16	50180022	SHIM 16X22X0,20	X
16	50180037	SHIM 16X23X0,30	X
16	50180038	SHIM 16X24X0,30	X
16	50180032	SHIM 15X25X0,25	X
16	50180039	SHIM 16X25X0,30	X
16	50180012	SHIM 16X26X0,10	X
16	50180019	SHIM 16X26X0,15	X
16	50180026	SHIM 16X26X0,20	X
16	50180040	SHIM 16X26X0,30	X

080000190

C130009090

* NEW PART

X ON DEMAND



- ⑤ Ø 5 mm
- ⑥ Ø 6 mm
- ⑧ Ø 8 mm
- ⑩ Ø 10 mm
- ⑫ Ø 12 mm
- ⑭ Ø 14-14,5 mm
- ⑯ Ø 16 mm
- ⑳ Ø 20 mm
- ㉑ Ø 21 mm
- ㉒ Ø 22 mm
- ㉓ Ø 23 mm
- ㉔ Ø 24,5 mm
- ㉘ Ø 28,5 mm
- ㉚ Ø 32 mm
- ㉜ Ø 52 mm



POS	PARTNUMBER	PARTNAME	PIECE
16	50180041	SHIM 16X28X0,10	X
16	50180045	SHIM 16X28X0,15	X
16	50180054	SHIM 16X28X0,20	X
16	50180063	SHIM 16X28X0,25	X
16	50180072	SHIM 16X28X0,30	X
16	50180046	SHIM 16X30X0,15	X
16	50180055	SHIM 16X30X0,20	X
16	50180064	SHIM 16X30X0,25	X
16	50180073	SHIM 16X30X0,30	X
16	50180047	SHIM 16X32X0,15	X
16	50180056	SHIM 16X32X0,20	X
16	50180065	SHIM 16X32X0,25	X
16	50180074	SHIM 16X32X0,30	X
16	50180044	SHIM 16X34X0,10	X
16	50180048	SHIM 16X34X0,15	X
16	50180057	SHIM 16X34X0,20	X
16	50180066	SHIM 16X34X0,25	X
16	50180075	SHIM 16X34X0,30	X
16	50180049	SHIM 16X36X0,15	X
16	50180058	SHIM 16X36X0,20	X
16	50180067	SHIM 16X36X0,25	X
16	50180076	SHIM 16X36X0,30	X
16	50180050	SHIM 16X38X0,15	X
16	50180059	SHIM 16X38X0,20	X
16	50180068	SHIM 16X38X0,25	X
16	50180077	SHIM 16X38X0,30	X
16	50180051	SHIM 16X40X0,15	X
16	50180060	SHIM 16X40X0,20	X
16	50180069	SHIM 16X40X0,25	X
16	50180078	SHIM 16X40X0,30	X
16	50180052	SHIM 16X42X0,15	X
16	50180061	SHIM 16X42X0,20	X
16	50180070	SHIM 16X42X0,25	X
16	50180079	SHIM 16X42X0,30	X
16	50180053	SHIM 16X44X0,15	X
16	50180062	SHIM 16X44X0,20	X
16	50180071	SHIM 16X44X0,25	X
16	50180080	SHIM 16X44X0,30	X

080000190

C130009090

* NEW PART

X ON DEMAND



- ⑤ Ø 5 mm
- ⑥ Ø 6 mm
- ⑧ Ø 8 mm
- ⑩ Ø 10 mm
- ⑫ Ø 12 mm
- ⑭ Ø 14-14,5 mm
- ⑯ Ø 16 mm
- ⑳ Ø 20 mm
- ㉑ Ø 21 mm
- ㉒ Ø 22 mm
- ㉓ Ø 23 mm
- ㉔ Ø 24,5 mm
- ㉘ Ø 28,5 mm
- ㉚ Ø 32 mm
- ㉜ Ø 52 mm



POS	PARTNUMBER	PARTNAME	PIECE
16	50180177	WASHER 16X8,2X0,6	X
16	50180033	SHIM 16X26X0,25	X
16	50180034	BACKPLATE 16X20X0,30	X
16	50180035	BACKPLATE 16X21X0,30	X
16	50180036	BACKPLATE 16X22X0,30	X
16	50180043	SHIM	X
16	50180024	* SHIM 16X24X0,20	X
16	50180027	* SHIM 16X20X0,25	X
16	50180031	SHIM	X
16	50180029	SHIM	X
20	48600212	PRESSURE-RING 20X16,25X0,20	X
20	50180666	SHIM 20X24X0,30	X
20	50180654	SHIM 20X36X0,20	X
20	50180655	SHIM 20X38X0,20	X
20	50180656	SHIM 20X40X0,20	X
20	50180665	SHIM 20X40X0,25	X
20	50180662	SHIM 20X34X0,25	X
20	50180657	SHIM 20X24X0,25	X
20	50180653	SHIM 20X34X0,20	X
20	50180634	RING 20X22,9X1	X
20	50180650	SHIM 20,2X28X0,20	X
20	50180663	SHIM 20X36X0,25	X
20	50180664	SHIM 20X38X0,25	X
20	50180659	SHIM 20,2X28X0,25	X
21	50180209	WASHER 21X36X0,25	X
22	50180330	* PRESS. RING 22X18X0,30	X
23	50180635	SHUTTLE VALVE 23X38X0,25	X
23	50180578	SHIM D23XD16X2	X
24	40541061	WASHER 24,5X34X2	X
28	36120469	SHIM 28,5X14X2	X
28	36120471	SHIM 28,5X14X5	X
32	48600460	WASHER 32X42X2,5	X
32	50600065	SHIM 32X45X2	X
32	46811637	PRESSURE RING 36X32,25	X
52	50600002	SHIM 52X59X2,2	X

080000190

C130009090

* NEW PART

X ON DEMAND

WWW.KTM.COM



KTM Sportmotorcycle GmbH
5230 Mattighofen, Austria
www.ktm.com



KTM_POWERPARTS

KTM_POWERWEAR

KTM_ORIGINAL SPARE PARTS



3CFF9903P6EN

Art. Nr.: 3CFF9903P6EN 30. Juli 2015