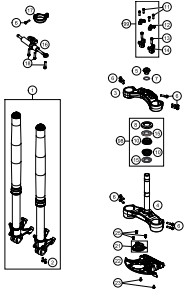
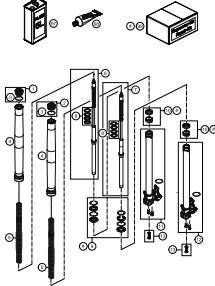
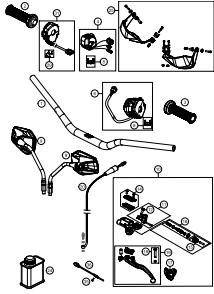
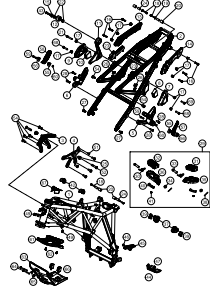
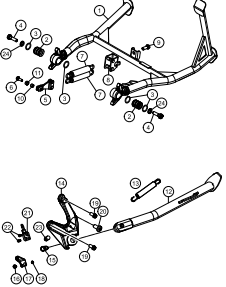
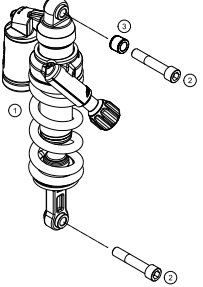
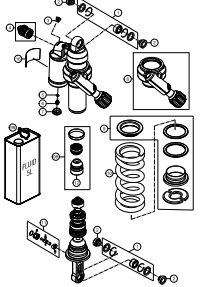
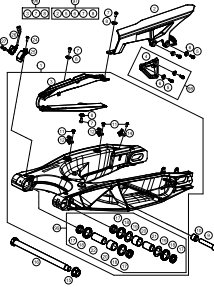
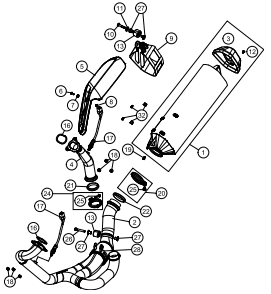
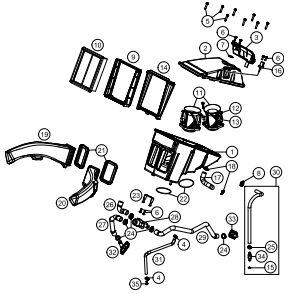
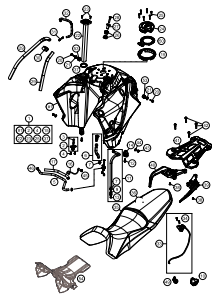
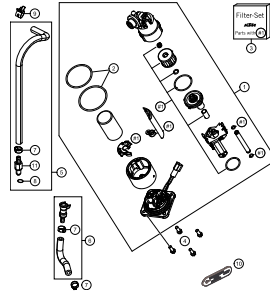


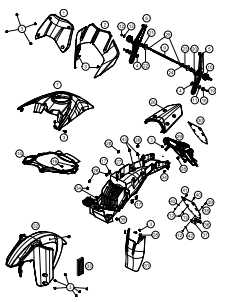
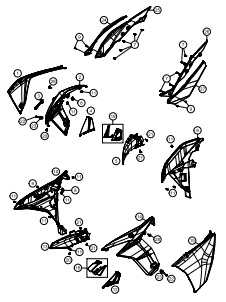
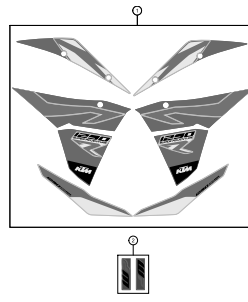
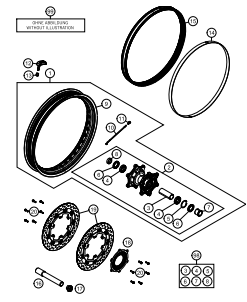
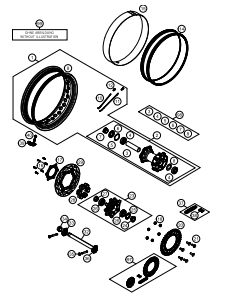
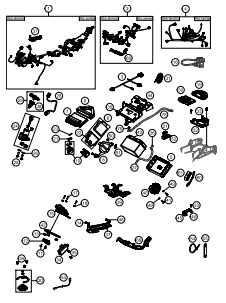
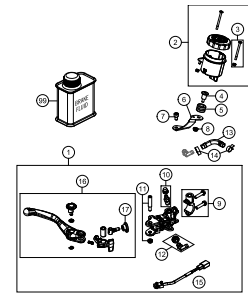
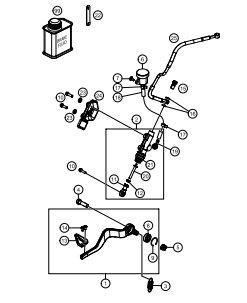
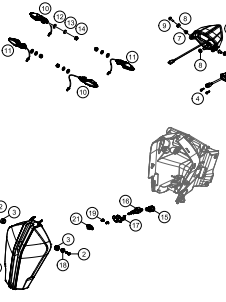
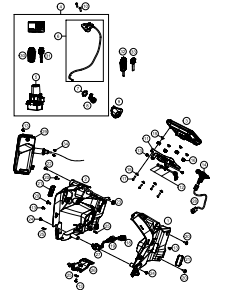
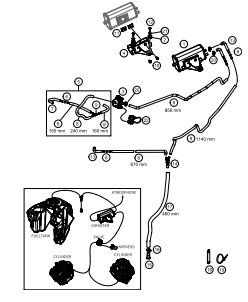
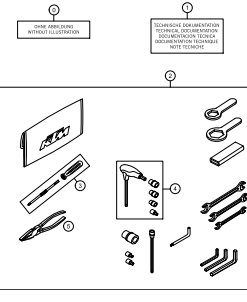
# 1290 SUPER ADVENTURE R 2017

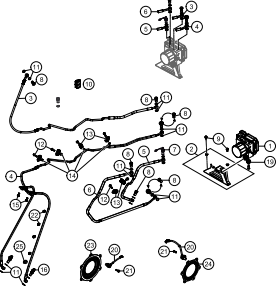
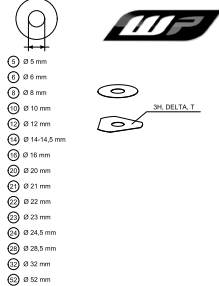

ART.-NR.: F9903Q6EN





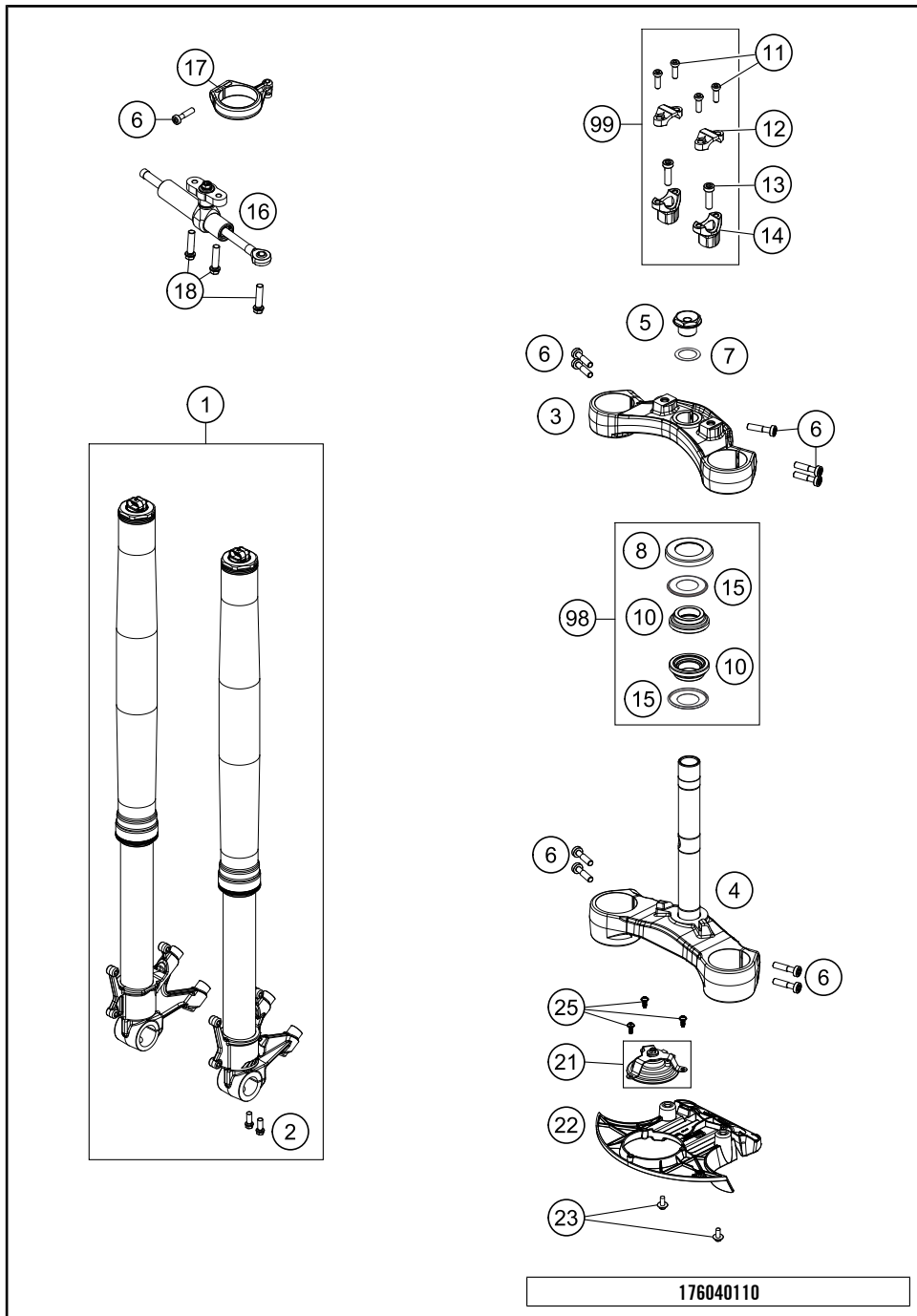
|   |  |   |   |
|---|--|---|---|
| <p><b>FRONT FORK, TRIPLE CLAMP</b></p>  <p style="text-align: right;"><b>4</b></p> | <p><b>FRONT FORK DISASSEMBLED</b></p>  <p style="text-align: right;"><b>5</b></p> | <p><b>HANDLEBAR, CONTROLS</b></p>  <p style="text-align: right;"><b>6</b></p>          | <p><b>FRAME</b></p>  <p style="text-align: right;"><b>7</b></p>        |
| <p><b>SIDE / CENTER STAND</b></p>  <p style="text-align: right;"><b>9</b></p>      | <p><b>SHOCK ABSORBER</b></p>  <p style="text-align: right;"><b>10</b></p>         | <p><b>SHOCK ABSORBER DISASSEMBLED</b></p>  <p style="text-align: right;"><b>11</b></p> | <p><b>SWING ARM</b></p>  <p style="text-align: right;"><b>12</b></p>   |
| <p><b>EXHAUST SYSTEM</b></p>  <p style="text-align: right;"><b>13</b></p>        | <p><b>AIR FILTER</b></p>  <p style="text-align: right;"><b>14</b></p>           | <p><b>TANK, SEAT, COVER</b></p>  <p style="text-align: right;"><b>15</b></p>         | <p><b>FUEL PUMP</b></p>  <p style="text-align: right;"><b>17</b></p> |

|  |  |   |   |
|--|--|---|---|
| <p><b>MASK, FENDERS</b></p>  <p><b>18</b></p>     | <p><b>SIDE TRIM</b></p>  <p><b>20</b></p>                   | <p><b>DECAL</b></p>  <p><b>21</b></p>                  | <p><b>FRONT WHEEL</b></p>  <p><b>22</b></p>          |
| <p><b>REAR WHEEL</b></p>  <p><b>23</b></p>        | <p><b>WIRING HARNESS</b></p>  <p><b>25</b></p>              | <p><b>HAND BRAKE CYLINDER</b></p>  <p><b>27</b></p>    | <p><b>REAR BRAKE CONTROL</b></p>  <p><b>28</b></p>   |
| <p><b>LIGHTING SYSTEM</b></p>  <p><b>29</b></p> | <p><b>INSTRUMENTS / LOCK SYSTEM</b></p>  <p><b>30</b></p> | <p><b>EVAPORATIVE CANISTER</b></p>  <p><b>31</b></p> | <p><b>SEPERATE ENCLOSURE</b></p>  <p><b>32</b></p> |

|  |   |  |  |
|--|---|--|--|
| <p><b>ANTIBLOCK SYSTEM ABS</b></p>  <p style="text-align: right;"><b>33</b></p> | <p><b>WP SHIMS FOR SETTING</b></p>  <p style="text-align: right;"><b>34</b></p>  |  |  |
|  |   |  |  |
|  | <div style="display: flex; align-items: center;">  <p>                     All information contained is without obligation. KTM Sportmotorcycle GmbH particularly reserves the right to modify any equipment, technical specifications, prices, colors, shapes, materials, services, service work, constructions, equipment and the like so as to adapt them to local conditions or to cancel any of the above items, all without previous announcement and without giving reasons. KTM may stop manufacturing certain models without previous notice. KTM shall not be held liable for any deviations of availability and/or ability to deliver, illustrations, descriptions, printing and/or other errors. The illustrated models partly contain extra equipment, which is not applied to standard models.<br/><br/>                     © by KTM Sportmotorcycle GmbH, Mattighofen AUSTRIA; All rights reserved; Reprint, also in extracts, with written allowance of KTM Sportmotorcycle GmbH, Mattighofen only.                 </p> </div> |  |  |

# FRONT FORK, TRIPLE CLAMP

# 1290 SUPER ADVENTURE R 2017

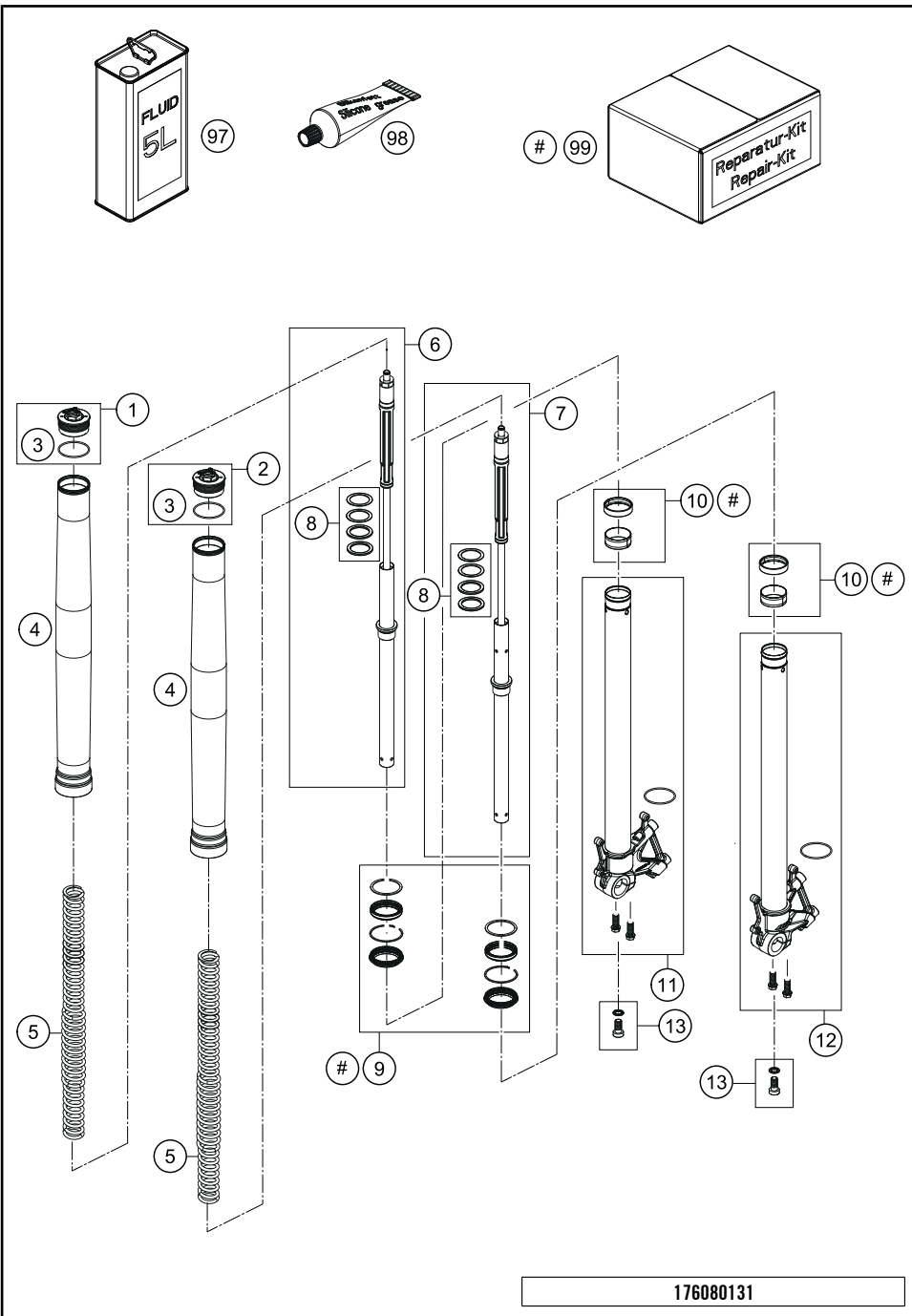


| POS | PARTNUMBER     | PARTNAME                       | PIECE |
|-----|----------------|--------------------------------|-------|
| 1   | 14188Q2501     | Fork Adventure-R 2017          | 1     |
| 2   | 0025080206S    | HH COLLAR SCREW M8X20 ISA40    | 4     |
| 3   | 6070113403233S | Triple clamp                   | 1     |
| 4   | 6070113203233S | Triple clamp                   | 1     |
| 5   | 6900103600001  | STEERING HEAD SCREW 09         | 1     |
| 6   | 0035080356     | AH-COLLAR SCREW M8X35 ISA45    | 10    |
| 7   | 0988253505     | thrust wash DIN0988-25x35x0,5  | 1     |
| 8   | 69001086100    | PROT. RING STEER. HEAD BEARING | 1     |
| 10  | 69001181000    | STEERINGHEAD KPL.17            | 2     |
| 11  | 0025080256     | HH COLLAR SCREW M8X25 TX40     | 4     |
| 12  | 7720103800030  | HANDLEBAR CLAMP 28MM           | 2     |
| 13  | 0032100356S    | AH-COLLAR SCREW M10X35 ISA45   | 2     |
| 14  | 5940103903730  | HANDLEB.SUPP. D=28MM H=37MM    | 2     |
| 15  | 69001084000    | O-RING SUPPORT W. SEALING LIP  | 2     |
| 16  | 16181N53ES     | STEERING DAMPER CPL.           | 1     |
| 17  | 6031200700033S | CLAMP STEERING DAMPER          | 1     |
| 18  | 0025080256S    | HH COLLAR SCREW M8X25 TX40     | 3     |
| 21  | 60711060033    | Direct current horn complete   | 1     |
| 22  | 60308024200    | TRIPLECLAMP-FACEPLATE BELOW    | 1     |
| 23  | 83008000015    | SPECIAL SCREW M6X15X3          | 2     |
| 25  | 0081050121     | SCREW FOR PLASTIC K50X12 T20   | 3     |
| 98  | 69001181010    | Steering head rep. Kit         | x     |
| 99  | 00050000927    | HANDLEBAR SUPPORT KIT ADV.1190 | x     |

176040110

18862

\* NEW PART X ON DEMAND

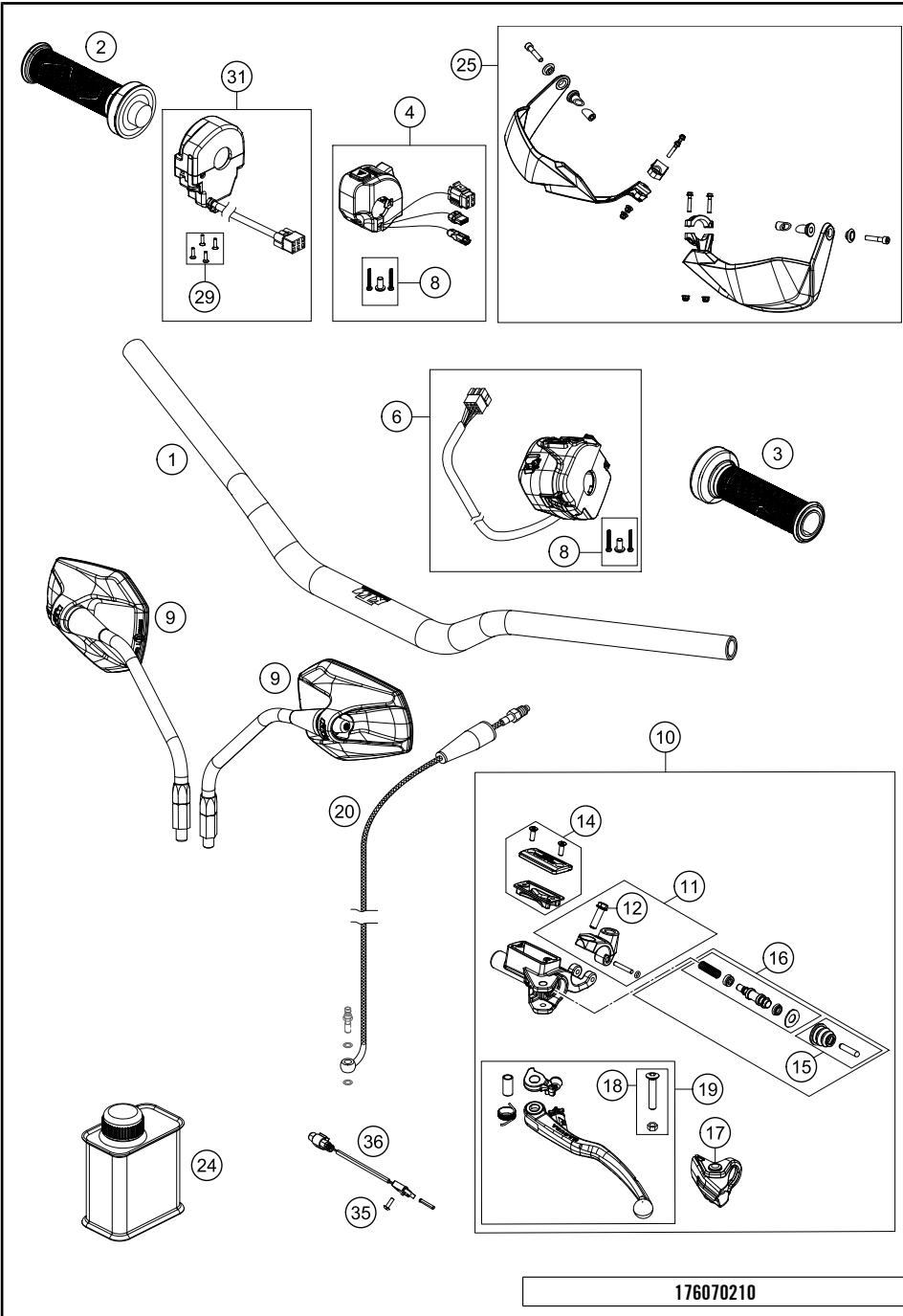


| POS | PARTNUMBER | PARTNAME                     | PIECE |
|-----|------------|------------------------------|-------|
| 1   | 48600431E3 | SCREW CAP M51X1.5 REB        | 1     |
| 2   | 48600431E4 | SCREW CAP M51X1,5 COM        | 1     |
| 3   | 46810340   | O-RING NBR 45X2              | 2     |
| 4   | 48601174   | OUTER TUBE L=600 D54/D60 2L  | 2     |
| 5   | 95010082   | Spring D38 L555 6.5 N/mm Set | 2     |
| 6   | 48601728S1 | Insert right cpl.            | 1     |
| 7   | 48601729S1 | Insert left cpl.             | 1     |
| 8   | R14054     | REP. KIT SPACER              | 1     |
| 9   | R14040     | GASKET KIT CPL.              | 1     |
| 10  | R14047     | REP. KIT GUIDE BUSHINGS      | 1     |
| 11  | 48601305S1 | AXLE CLAMP WITH INNER TUBE   | 1     |
| 12  | 48601304S1 | AXLE CLAMP WITH INNER TUBE   | 1     |
| 13  | 00501020S1 | AH SCREW M10X20 SET          | 1     |
| 97  | 48601166S1 | FORK OIL SAE4 5L             | x     |
| 98  | T14034     | Fuchs grease IPR (250g)      | x     |
| 99  | R14063     | FORK REP. KIT 48MM OFFROAD   | x     |

\* NEW PART X ON DEMAND

# HANDLEBAR, CONTROLS

# 1290 SUPER ADVENTURE R 2017



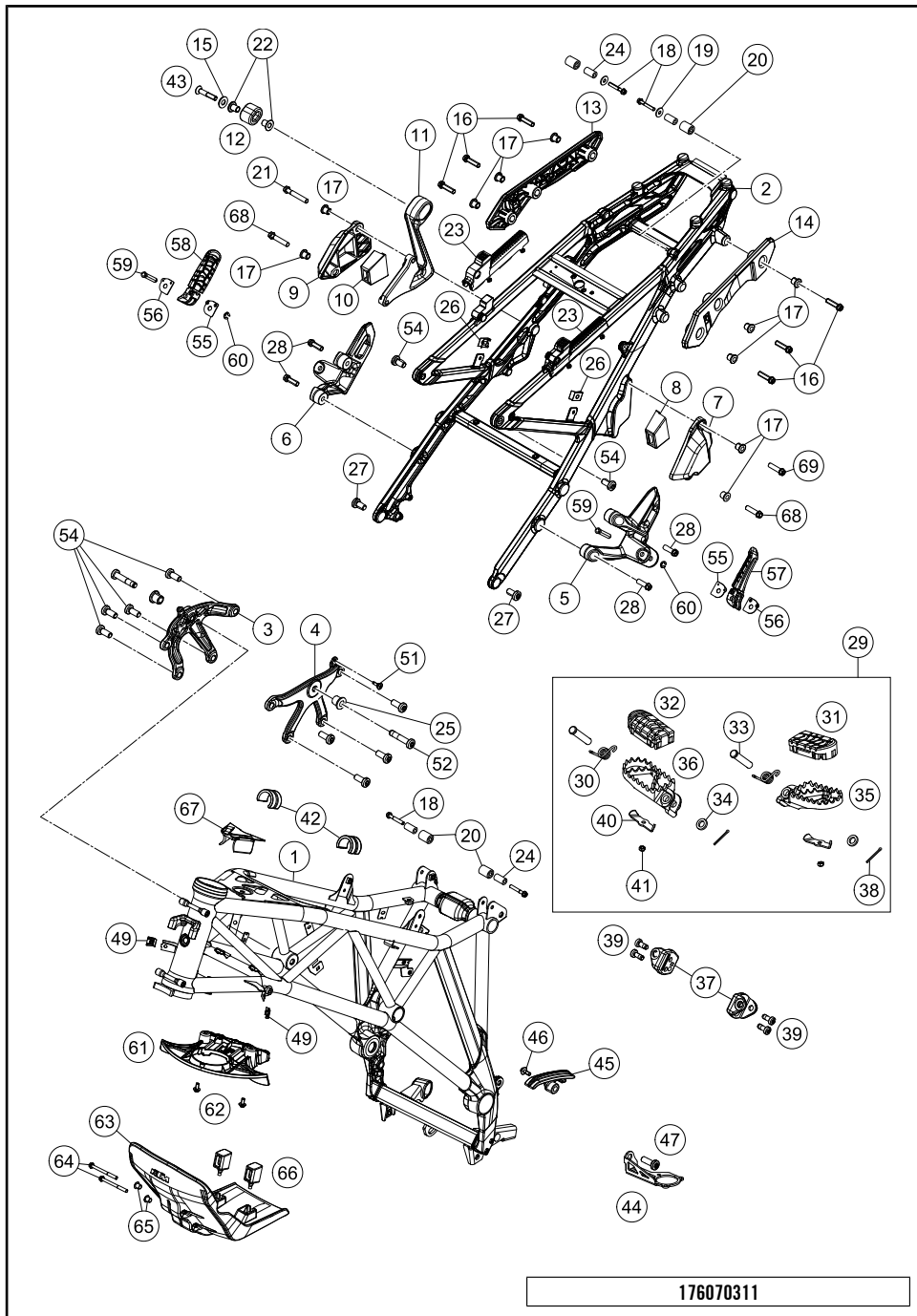
| POS | PARTNUMBER    | PARTNAME                           | PIECE |
|-----|---------------|------------------------------------|-------|
| 1   | 6070200100033 | Handlebar                          | 1     |
| 2   | 60702012000   | Grip tube (no heating)             | 1     |
| 3   | 60702039000   | Fixed grip (no heating)            | 1     |
| 4   | 61411174000   | Start-emergency off switch         | 1     |
| 6   | 61411170000   | Combination switch left            | 1     |
| 8   | 60411074010   | SCREW SET START-STOP SPEED CON     | 1     |
| 9   | 60312040100   | MIRROR                             | 2     |
| 10  | 60302030144   | MASTER CYLINDER DOT CPL. 12MM      | 1     |
| 11  | 76513005000   | CLAMP, CYL. PIN, O-RING            | 1     |
| 12  | 0025060166    | HH COLLAR SCREW M6X16 TX30         | 1     |
| 14  | 25002033000   | COVER HYDR. CLUTCH DOT CPL.        | 1     |
| 15  | 76502046000   | PUSH ROD CPL. 13                   | 1     |
| 16  | 60302032100   | REPAIR KIT PISTONS DOT             | 1     |
| 17  | 76502037000   | PROTECT.CAP FOR LEVER PERCH 13     | 1     |
| 18  | 50302038200   | LEVER SCREW SHORT CPL. 09          | 1     |
| 19  | 60302031000   | CLUTCH LEVER LONG CPL. 2013        | 1     |
| 20  | 60032063100   | CLUTCH PIPE LC8 ADV '03            | 1     |
| 24  | 00062030000   | BRAKE FLUID DOT5.1 0,25L           | 1     |
| 25  | 6030217910030 | HANDGUARD CLOSED BLACK HIGH        | 1     |
| 29  | 76011073110   | SCREW SET START-STOP SWITCH        | 1     |
| 31  | 60711012000   | Ride-by-wire without throttle tube | 1     |
| 35  | 0985030103    | FLAT HEAD SCREW DIN7985 M3x1       | 1     |
| 36  | 83111049000   | CLUTCH SWITCH ATV                  | 1     |

176070210

18767

\* NEW PART X ON DEMAND





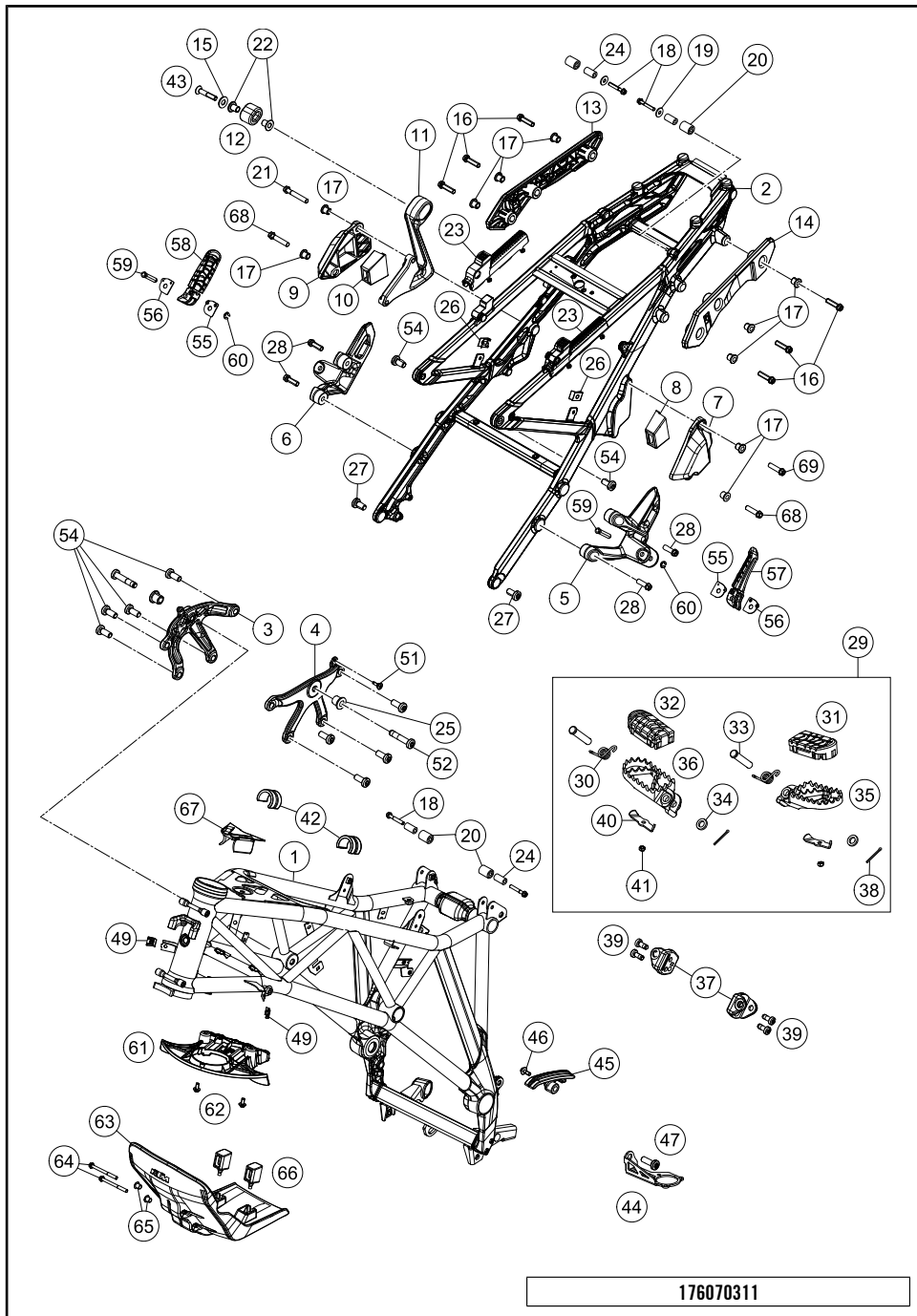
| POS | PARTNUMBER     | PARTNAME                     | PIECE |
|-----|----------------|------------------------------|-------|
| 1   | 60703001000EB  | Frame "607 QA" elec or.      | 1     |
| 2   | 6030300200033  | SUB FRAME                    | 1     |
| 3   | 6030300600033S | ENGINE SUPPORT R/S BLACK     | 1     |
| 4   | 6030300500033S | ENGINE SUPPORTL/S BLACK      | 1     |
| 5   | 6030304800033S | FOOTR. SUP. REAR L/S BLACK   | 1     |
| 6   | 6030304900033S | FOOTR. SUP. REAR R/S BLACK   | 1     |
| 7   | 60312010050    | SUITCASE HOOK L/S            | 1     |
| 8   | 60312010060    | DAMPING RUBBER SUITCASE HOOK | 1     |
| 9   | 60312011050    | SUITCASE HOOK R/S            | 1     |
| 10  | 60312011060    | DAMPING RUBBER SUITCASE HOOK | 1     |
| 11  | 6030508400033S | EXHAUST BRACKET              | 1     |
| 12  | 61305068000    | DAMPING RUBBER               | 1     |
| 13  | 60312021250    | CASE BAR R/S                 | 1     |
| 14  | 60312020250    | CASE BAR L/S                 | 1     |
| 15  | 60405069000    | SHAPE DISC ALU               | 1     |
| 16  | 0025080306     | HH COLLAR SCREW M8X30 TX40   | 8     |
| 17  | 60303002058    | SPACER BUSHING 13X17X8,2     | 10    |
| 18  | 0025060356     | HH COLLAR SCREW M6X35 TX30   | 4     |
| 19  | 0021060003     | WASHER DIN9021-A 6,4         | 2     |
| 20  | 60307048000    | RUBBER SEAT-CONTACT SURFACE  | 4     |
| 21  | 0025080256     | HH COLLAR SCREW M8X25 TX40   | 1     |
| 22  | 60305069000    | BUSHING                      | 2     |
| 23  | 60307040041    | PLATE RUBBER SEAT            | 2     |
| 24  | 60307049000    | BUSH 6.2X12X21.5             | 4     |
| 25  | 60303007000    | SPACER BUSH ENGINE SUPPORT   | 2     |
| 26  | 54603048100    | RANGE CHANGE METAL NUT M6    | 2     |
| 27  | 0035100209     | AH-COLLAR SCREW M10X20 ISA45 | 2     |
| 28  | 0035080256     | AH-COLLAR SCREW M8X25 ISA45  | 4     |
| 29  | 60003040133    | FOOTPEG LS+RS CPL.           | 1     |
| 30  | 54603041000    | FOOTREST SPRING L/S & R/S    | 2     |
| 31  | 60003040010    | FOOTREST RUBBER FRONT L/S 03 | 1     |
| 32  | 60003041010    | FOOTREST RUBBER FRONT R/S 03 | 1     |
| 33  | 54803044000    | PIN FOR FOOT PED 51.5X9.8 MM | 2     |
| 34  | 0125100003     | WASHER DIN0125-A10,5         | 2     |
| 35  | 78003040050    | FOOTREST L/S 08              | 1     |
| 36  | 78003041050    | FOOTREST R/S 08              | 1     |
| 37  | 6030310109533S | FOOTREST MOUNTING            | 2     |
| 38  | 0094032253     | PIN DIN0094-3,2X25 STEEL     | 2     |

176070311

18869

\* NEW PART

X ON DEMAND

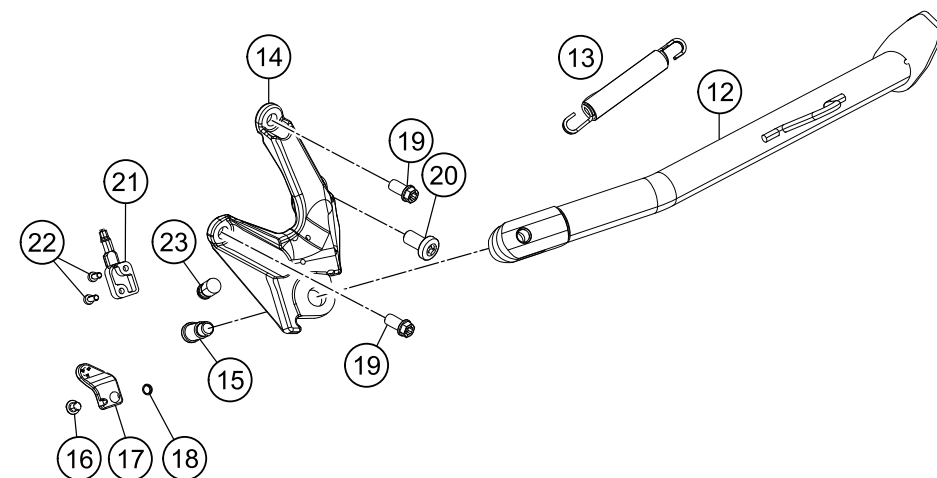
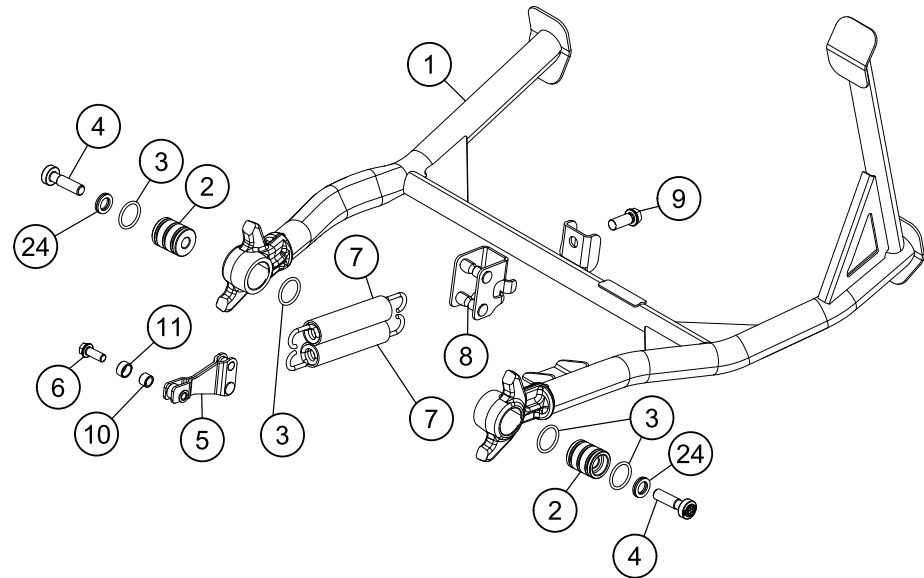


| POS | PARTNUMBER    | PARTNAME                       | PIECE |
|-----|---------------|--------------------------------|-------|
| 39  | 0025080166S   | HH COLLAR SCREW M8X16 TX40     | 4     |
| 40  | 60003044010   | CLOSING PANEL FRONT L/S R/S 03 | 2     |
| 41  | 0985050003    | SELF LOCKING NUT DIN0985-M 5   | 2     |
| 42  | 61007014000   | SPACER FUEL TANK 05            | 2     |
| 43  | 0019080456    | COUNTERSUNK SCREW ISA45 M8X45  | 1     |
| 44  | 60312967040   | OIL INFILLING ADAPTER BRACKET  | 1     |
| 45  | 60303070000   | CHAIN GUIDE                    | 1     |
| 46  | 0024060156    | HH COLLAR SCREW M6X15 TX30     | 1     |
| 47  | 0035100309S   | AH-COLLAR SCREW M10X30 ISA45   | 1     |
| 49  | 54603048200   | RANGE CHANGE METAL NUT M5      | 2     |
| 51  | 69008021160   | SPECIAL SCREW M5X12            | 1     |
| 52  | 0035100509S   | AH-COLLAR SCREW M10X50 ISA45   | 2     |
| 54  | 0035100249    | AH-COLLAR SCREW M10X24 ISA45   | 10    |
| 55  | 60003152000   | ENGAGE PANEL FOOTREST L/S 03   | 2     |
| 56  | 60003052000   | ENGAGE PANEL FOOTREST R/S 03   | 2     |
| 57  | 60003050000   | FOOTREST CPL. L/S REAR 03      | 1     |
| 58  | 60003051000   | FOOTREST CPL. R/S REAR 03      | 1     |
| 59  | 60003044100   | BOLT FOR FOOTREST REAR         | 1     |
| 60  | 0799060003    | TAB WASHER DIN6799-RS 6,0      | 2     |
| 61  | 60308024200   | TRIPLECLAMP-FACEPLATE BELOW    | 1     |
| 62  | 0081050121    | SCREW FOR PLASTIC K50X12 T20   | 3     |
| 63  | 6030319000030 | SKID PLATE ADV                 | 1     |
| 64  | 0025060406    | HH COLLAR SCREW M6X40 TX30     | 2     |
| 65  | 45239060050   | COLLAR BUSHING 6,3X8X13X9,5    | 2     |
| 66  | 60003096000   | VIBRATION DAMPER 03            | 2     |
| 67  | 60303003010   | STEERING HEAD COVER            | 1     |
| 68  | 0025080256    | HH COLLAR SCREW M8X25 TX40     | 2     |
| 69  | 0025080306    | HH COLLAR SCREW M8X30 TX40     | 2     |

176070311

18869

\* NEW PART X ON DEMAND



| POS | PARTNUMBER     | PARTNAME                      | PIECE |
|-----|----------------|-------------------------------|-------|
| 1   | 6030302210033  | MAIN STAND                    | 1     |
| 2   | 60303022007    | BUSHING SUPPORT CENTRAL       | 2     |
| 3   | 0770180020     | O-RING 18,00X2,00 NBR 70      | 4     |
| 4   | 0035080356S    | SCREW M8X35 ISA45 SS          | 2     |
| 5   | 60303022025    | SPRING SUPPORT FRONT CPL.     | 1     |
| 6   | 0025060166     | HH COLLAR SCREW M6X16 TX30    | 1     |
| 7   | 60303030100    | SIDESTAND SPRING L=118MM      | 2     |
| 8   | 60303022026    | SPRING SUPPORT REAR CPL.      | 1     |
| 9   | 0025080206     | HH COLLAR SCREW M8X20 TX40    | 1     |
| 10  | 60303022031    | BUSHING SPRINGSUPPORT FRONT   | 1     |
| 11  | 60303022032    | BUSHING SPRING SUPPORT FRONT  | 1     |
| 12  | 6030302310033  | SIDE STAND CPL.               | 1     |
| 13  | 60303024100    | SIDE STAND SPRING             | 1     |
| 14  | 6030302610033S | SIDE STAND BRACKET            | 1     |
| 15  | 62503027200    | SCREW FOR SIDE STAND M10X31,2 | 1     |
| 16  | 0902060083     | AH OVAL SCREW ISO 7380 M 6X8  | 1     |
| 17  | 60303029050    | MAGNET HOLDER                 | 1     |
| 18  | 60303029051    | BUSHING MAGNET HOLDER         | 1     |
| 19  | 0025080166     | HH COLLAR SCREW M8X16 TX40    | 2     |
| 20  | 0035100309S    | AH-COLLAR SCREW M10X30 ISA45  | 1     |
| 21  | 61011045000    | SIDE STAND SENSOR 05          | 1     |
| 22  | 0084040123     | CYL.HEAD SCREW DIN84A M4x12   | 2     |
| 23  | 60303023111    | RETAINING BOLT                | 1     |
| 24  | 60303022035    | NORDLOCK WASHERS M8           | 2     |

146030361

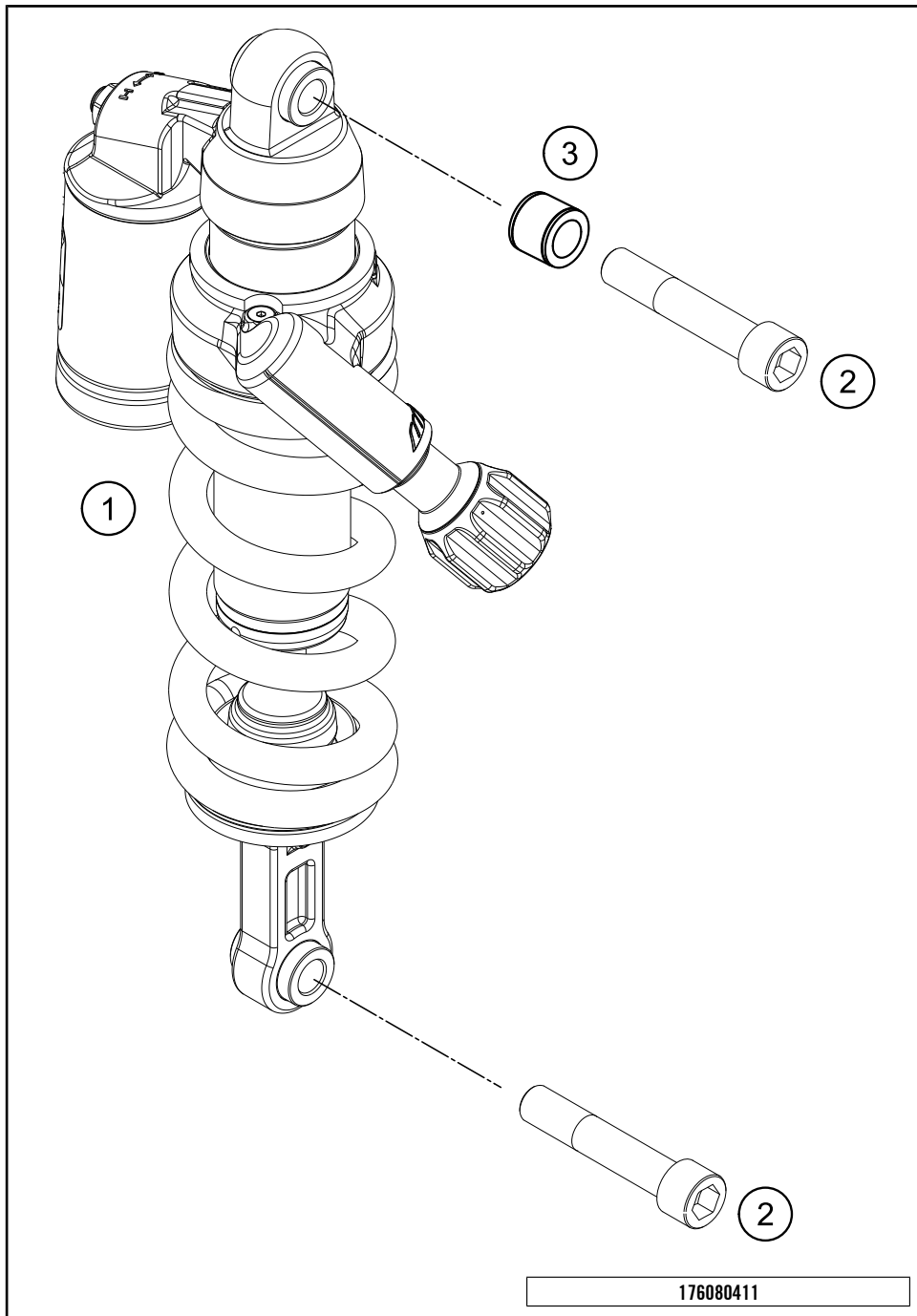
18886

\* NEW PART

X ON DEMAND

# SHOCK ABSORBER

# 1290 SUPER ADVENTURE R 2017



| POS | PARTNUMBER  | PARTNAME                    | PIECE |
|-----|-------------|-----------------------------|-------|
| 1   | 15187Q2501  | Monoshock Adventure R 2017  | 1     |
| 2   | 60004017000 | SCREW M14X1,5 L=73MM 03     | 2     |
| 3   | 60004030151 | BUSHING MONOSHOCK SOCKET 05 | 2     |

176080411

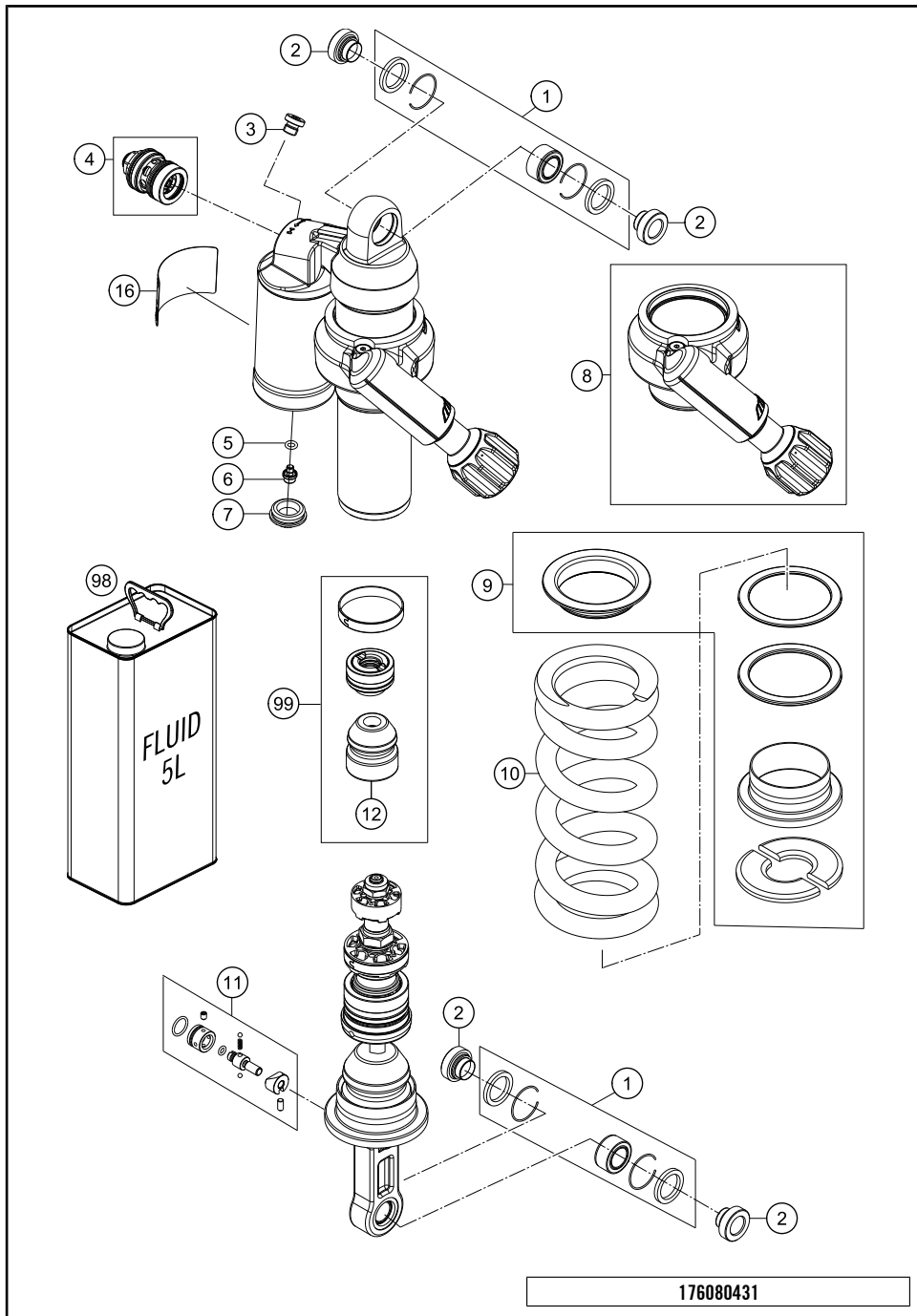
18871

\* NEW PART

X ON DEMAND

# SHOCK ABSORBER DISASSEMBLED

# 1290 SUPER ADVENTURE R 2017



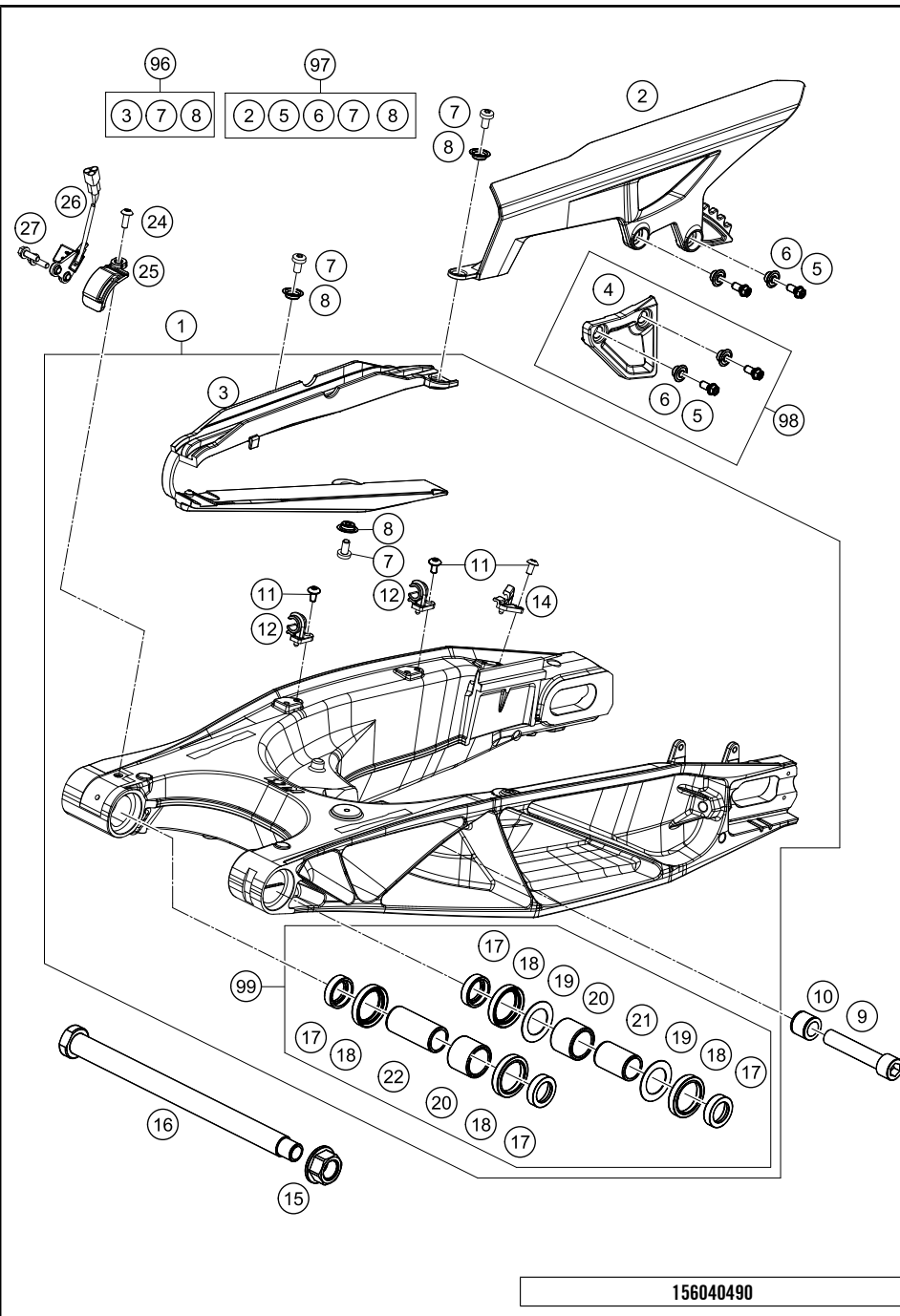
| POS | PARTNUMBER  | PARTNAME                                 | PIECE |
|-----|-------------|--|-------|
| 1   | R12012      | REP. KIT BEAR./SEAL UP. 07               | 2     |
| 2   | 46181307E   | BUCHSE Ø14 & LIPPENDICHTUNG              | 4     |
| 3   | 50180095    | BLEED PLUG R 1/8                         | 1     |
| 4   | 50180213S27 | DCC compr.damp.control cpl. 17           | 1     |
| 5   | 46811208    | RUBBER CAP "DO NOT OPEN"                 | 1     |
| 6   | 36120151    | SCREW PLUG M5X6                          | 1     |
| 7   | 46811208    | RUBBER CAP "DO NOT OPEN"                 | 1     |
| 8   | 15000M01S1  | POWER ADJUSTER CPL. WITH SCREW           | 1     |
| 9   | R15015      | REPAIR KIT GASKET BOTTOM                 | 1     |
| 10  | 91010358    | Spring D59 L205 180 N/mm white           | 1     |
| 10  | 91010369    | Feder L205mm 170N/mm innen Ø59mm         | x     |
| 10  | 91010370    | Feder L205mm 190N/mm inner Ø59mm         | x     |
| 11  | 46180522S1  | TAP ADJ. REBOUND                         | 1     |
| 12  | 50181080    | BUMPER                                   | 1     |
| 16  | 52000149    | Sticker WP Warning Indien Bike 60 x 35mm | 1     |
| 98  | 50180751S1  | SHOCK ABSORBER FLUID 5 LT                | 1     |
| 99  | RP10013     | Repair kit ADV. R                        | 1     |

176080431

18872

\* NEW PART

X ON DEMAND



| POS | PARTNUMBER    | PARTNAME                       | PIECE |
|-----|---------------|--------------------------------|-------|
| 1   | 6040403004433 | SWING ARM CPL.                 | 1     |
| 2   | 60304061000   | CHAIN GUARD                    | 1     |
| 3   | 60304066000   | CHAIN SLIDING GUARD            | 1     |
| 4   | 60304070000   | CHAIN GUIDE                    | 1     |
| 5   | 0025060166    | HH COLLAR SCREW M6X16 TX30     | 4     |
| 6   | 50308053000   | BUSH FOR SPOILER 6X11X16X7,5   | 4     |
| 7   | 0018050103    | INT. TORX OVAL HEAD M 5X10 8.8 | 3     |
| 8   | 46104066050   | BUSH FOR CHAINSLIDER GUARD 02  | 3     |
| 9   | 60004017000   | SCREW M14X1,5 L=73MM 03        | 1     |
| 10  | 60004030151   | BUSHING MONOSHOCK SOCKET 05    | 1     |
| 11  | 78105081010   | SCREW TORX M5X10               | 3     |
| 12  | 60104042000   | RET. CLAMP F. BRAKE HOSE       | 2     |
| 14  | 60142026000   | CABLE SUPPORT SWING ARM 06     | 1     |
| 15  | 60004038200   | COLLAR NUT M19X1,5 SW=27MM     | 1     |
| 16  | 69004037244   | SWING ARM BOLT                 | 1     |
| 17  | 60004034000   | BUCKET F. SHAFT SEAL RING 03   | 4     |
| 18  | 0760304073    | SHAFT SEAL RING 30X40X7        | 4     |
| 19  | 60004033000   | STOP DISK 03                   | 2     |
| 20  | 60004031000   | NEEDLE BUSH HK2526B 03         | 2     |
| 21  | 60004032000   | INNER RING JR20X25X38,5 03     | 1     |
| 22  | 69004032000   | INNER RING JR 20X25X56,5       | 1     |
| 24  | 58605083014   | SCREW M5X14 TORX 25 07         | 1     |
| 25  | 60416061000   | MAGNET HOLDER                  | 1     |
| 26  | 60416062000   | WHEEL TRAVEL SENSOR            | 1     |
| 27  | 0025050206    | HH COLLAR SCREW M5X20 TX30     | 2     |
| 96  | 60304066010   | CHAIN GUARD KIT 13-14          | x     |
| 97  | 60304060010   | CHAIN PROTECTION KIT 13-14     | x     |
| 98  | 60304070010   | CHAIN GUIDE KIT 1190 ADV       | x     |
| 99  | 69004230010   | SWING ARM REP. KIT 08-14       | x     |

156040490

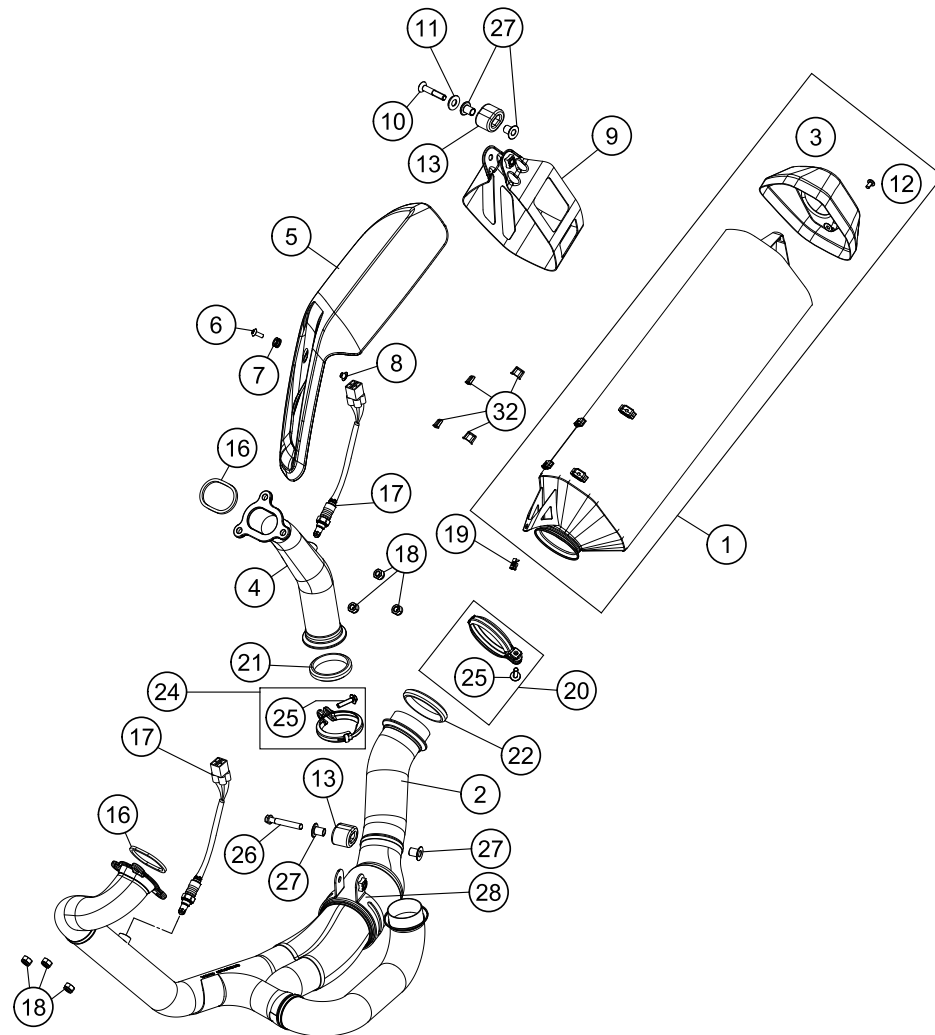
18873

\* NEW PART

X ON DEMAND

# EXHAUST SYSTEM

# 1290 SUPER ADVENTURE R 2017



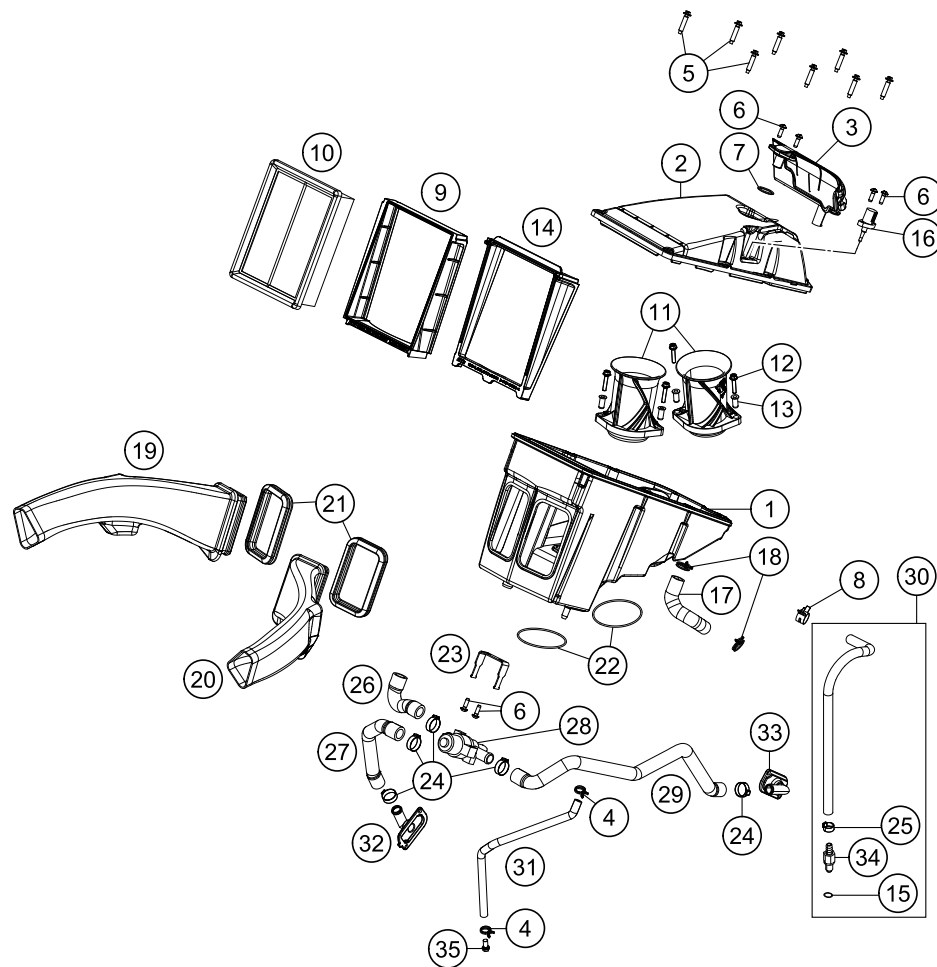
| POS | PARTNUMBER    | PARTNAME                       | PIECE |
|-----|---------------|--------------------------------|-------|
| 1   | 60305083000   | SILENCER                       | 1     |
| 2   | 60705007000   | Header front                   | 1     |
| 3   | 60305083161   | ENDCAP                         | 1     |
| 4   | 60305008100   | Header rear complete           | 1     |
| 5   | 6040511100033 | HEAT PROTECTION BLACK          | 1     |
| 6   | 58605083014   | SCREW M5X14 TORX 25 07         | 1     |
| 7   | 60305083081   | SILICON SLEEVE                 | 1     |
| 8   | 60305083082   | SPACER BUSHING                 | 1     |
| 9   | 60305083190   | CLAMP SILENCER                 | 1     |
| 10  | 0019080456    | COUNTERSUNK SCREW ISA45 M8X45  | 1     |
| 11  | 60405069000   | SHAPE DISC ALU                 | 1     |
| 12  | 78105081010   | SCREW TORX M5X10               | 3     |
| 13  | 61305068000   | DAMPING RUBBER                 | 2     |
| 16  | 69005005100   | EXHAUST PIPE FLANGE GASKET     | 2     |
| 17  | 75041090200   | LAMBDA SENSOR                  | 2     |
| 18  | 51010086100   | SELF LOCKING NUT M 8 CU        | 6     |
| 19  | 69008021080   | RANGE CHANGE METAL NUT M5      | 1     |
| 20  | 61305090000   | EXHAUST CLAMP CPL. 60MM        | 1     |
| 21  | 69005005005   | MANIFOLD GASKET                | 1     |
| 22  | 61305005005   | MANIFOLD GASKET 60MM           | 1     |
| 24  | 69005050000   | CLAMP CPL.                     | 1     |
| 25  | 0024060256    | HH COLLAR SCREW M6X25 TX30     | 2     |
| 26  | 0025080456    | HH COLLAR SCREW M8X45 TX40     | 1     |
| 27  | 60305069000   | BUSHING                        | 2     |
| 28  | 60305007015   | SHELL EXHAUST PIPE CPL.        | 1     |
| 32  | 61005091000   | DAMP. COMPON. SILICONE GREY 05 | 4     |

176080510

18111

\* NEW PART

X ON DEMAND



| POS | PARTNUMBER    | PARTNAME                       | PIECE |
|-----|---------------|--------------------------------|-------|
| 1   | 60306001200   | AIR FILTER HOUSING LOWER PART  | 1     |
| 2   | 60306002000   | AIR FILTER BOX COVER           | 1     |
| 3   | 60330088100   | OIL SEPARATOR                  | 1     |
| 4   | 58031005000   | CLAMP YDNAC 10128 12MM         | 2     |
| 5   | 0017060305    | SPECIAL SCREW K60X30 WS=6      | 8     |
| 6   | 0081050161    | EJOT PT SCREW K50X16 1451      | 6     |
| 7   | 0770021020    | O-RING 21,00X2,00 NBR70        | 1     |
| 8   | 00049140121   | CLAMP STD DN14                 | 1     |
| 9   | 60406016000   | FILTERCLAMPING FRAME           | 1     |
| 10  | 60306015100   | AIR FILTER                     | 1     |
| 11  | 60341040100   | INTAKE TRUMPET LENGTH 100      | 2     |
| 12  | 0025050256    | HH COLLAR SCREW M5X25 ISA30    | 2     |
| 13  | 60306042010   | BUSHING INTAKE TRUMPET         | 4     |
| 14  | 60406017000   | FILTERCLAMPING LINER           | 1     |
| 15  | 58507012000   | O-RING VITON F. PLUG CPC 05    | 1     |
| 16  | 61041080000   | AMBIENT-AIR TEMPERATURE SENSOR | 1     |
| 17  | 60330088030   | OIL SEPARATOR FOAM HOSE        | 1     |
| 18  | 60306082000   | CLAMP YDNAC 10173 (19MM)       | 2     |
| 19  | 60406040000   | INTAKE DUCT R/S                | 1     |
| 20  | 60406041000   | INTAKE DUCT L/S                | 1     |
| 21  | 60306040050   | GASKET INTAKE DUCT             | 2     |
| 22  | 0770066025    | O-RING 66X2,5 FKM              | 2     |
| 23  | 61305031000   | RETAINING BRACKET SLS          | 1     |
| 24  | 00050226706   | VARIABLE ONE-EAR CLAMP 22,6MM  | 5     |
| 25  | 00050157706   | VARIABLE ONE-EAR CLAMP 15,7MM  | 2     |
| 26  | 61305035023   | SAS HOSE - AIRBOX              | 1     |
| 27  | 61305035021   | SAS HOSE CYLINDER FRONT        | 1     |
| 28  | 61005026000   | CONTROL VALVE SAS 05           | 1     |
| 29  | 61305035022   | SAS HOSE CYLINDER REAR         | 1     |
| 30  | 60307016000   | FUEL HOSE 1 CPL.               | 1     |
| 31  | 60015019001   | HOSE NBR 7X11 PER METER        | 1     |
| 32  | 61205122000   | SAS-FLANGE                     | 1     |
| 33  | 61205032000   | SAS-FLANGE                     | 1     |
| 34  | 5850701030030 | PLUG CPC BLACK 05              | 1     |
| 35  | 0025080126    | HH COLLAR SCREW M8X12 TX40     | 1     |

166040610

18738

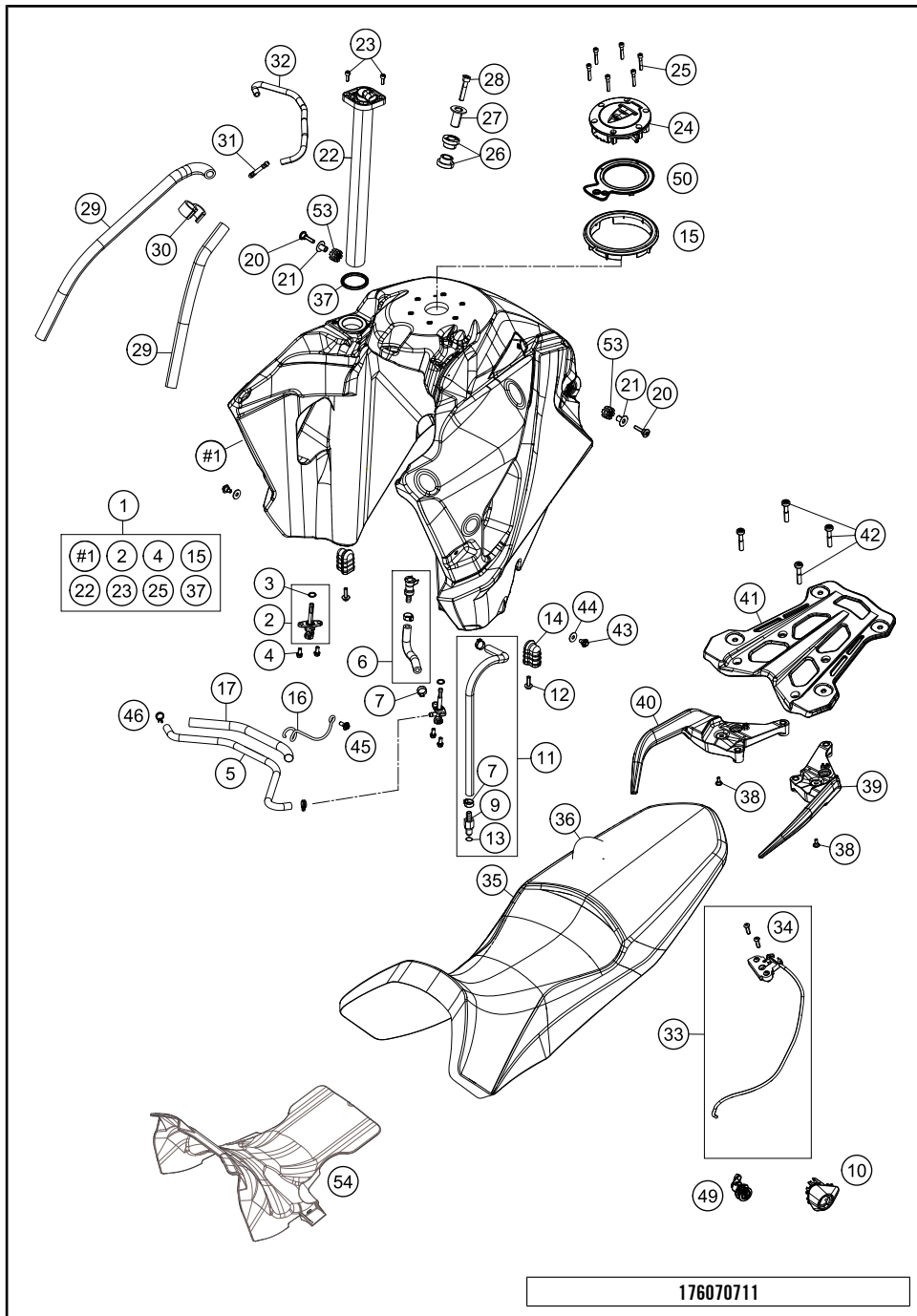
\* NEW PART

X ON DEMAND



# TANK, SEAT, COVER

# 1290 SUPER ADVENTURE R 2017



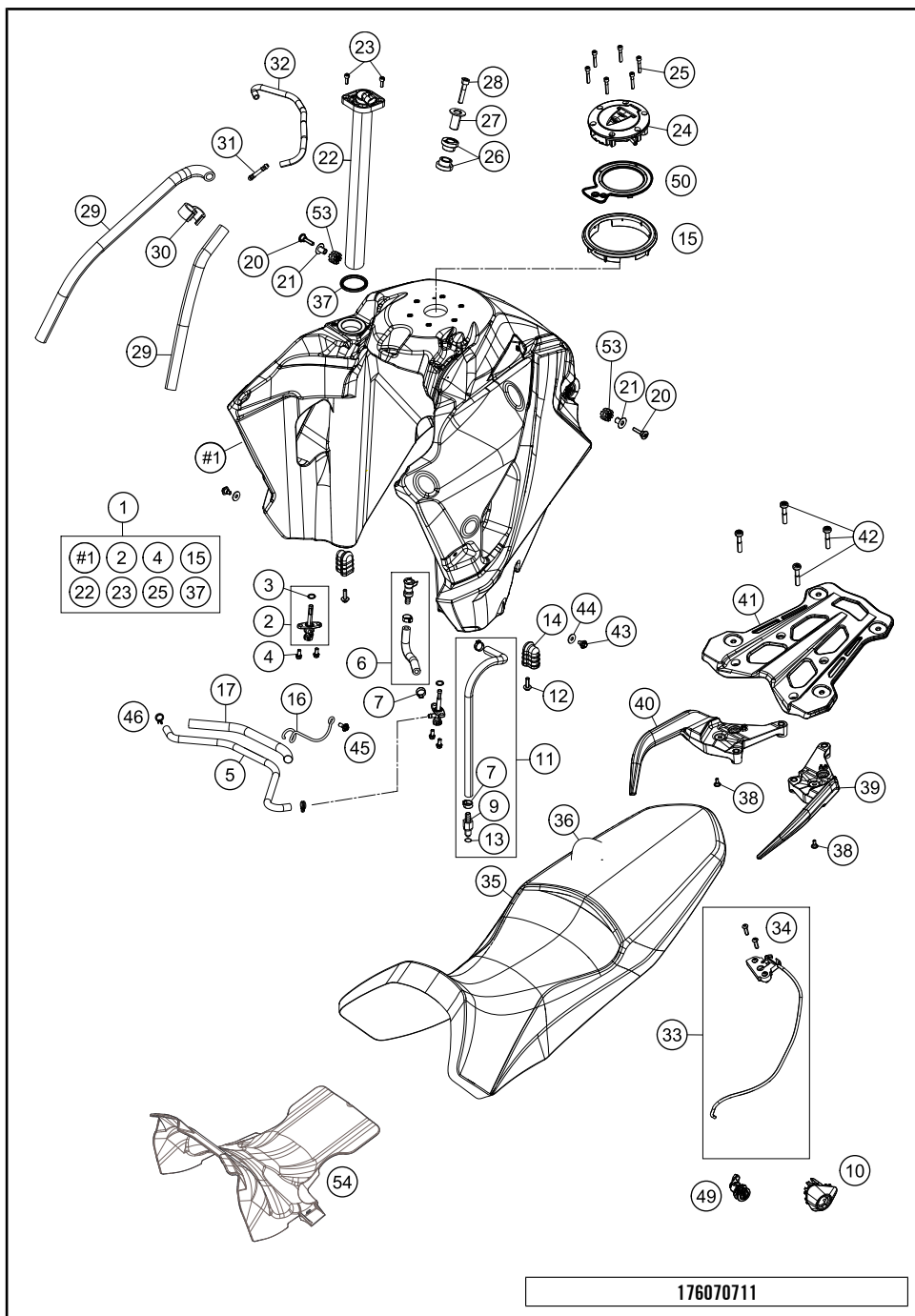
| POS | PARTNUMBER     | PARTNAME                       | PIECE |
|-----|----------------|--------------------------------|-------|
| 1   | 6070701304433  | Fuel Tank Adventure cpl.       | 1     |
| 2   | 58507003200    | FUEL COCK CPL.                 | 2     |
| 3   | 0770020130     | O-RING 1,78x10,82x14,38 2-013  | 2     |
| 4   | 0025060126     | HH COLLAR SCREW M6X12 TX30     | 4     |
| 5   | 60307018000    | EXPANSION HOSE FUEL TANK       | 1     |
| 6   | 60307017000    | FUEL HOSE TANK/CONNECTOR       | 1     |
| 7   | 00050157706    | VARIABLE ONE-EAR CLAMP 15,7MM  | 2     |
| 9   | 5850701030030  | PLUG CPC BLACK 05              | 1     |
| 10  | 60307053000    | SEAT LOCK COVER                | 1     |
| 11  | 60307016050    | FUEL PIPE 1                    | 1     |
| 12  | 0024060206     | HH COLLAR SCREW M6X20 TX30     | 2     |
| 13  | 58507012000    | O-RING VITON F. PLUG CPC 05    | 1     |
| 14  | 60307020000    | TANK RUBBER                    | 2     |
| 15  | 60307009000    | TANK CAP RING                  | 1     |
| 16  | 60307037000    | WIRE HOLDER FUEL HOSE          | 1     |
| 17  | 60307016010    | HEAT PROTECTION                | 1     |
| 20  | 60307025000    | SPECIAL SCREW M6X32.5 ISA 40   | 2     |
| 21  | 69007028000    | COLLAR BUSH. 6,2X10X21X14MM 08 | 2     |
| 22  | 60307080000    | GAS LEVEL SENSOR               | 1     |
| 23  | 0912050163     | AH SCREW DIN0912-M 5X16        | 2     |
| 24  | 60307008100    | TANK CAP                       | 1     |
| 25  | 0912050253     | AH SCREW DIN0912-M 5X25        | 6     |
| 26  | 61007065000    | TANK RUBBER BUSHING FRONT 05   | 2     |
| 27  | 61007060000    | BEARING BUSHING OUTSIDE 05     | 1     |
| 28  | 0912080403     | AH SCREW DIN912 M8X40          | 1     |
| 29  | 60007126001    | HOSE 5,4X9,4 NBR, METER        | 1     |
| 30  | 60038039000    | DISTANCE HOLDER 10/10 BLACK    | 1     |
| 31  | 69015019010    | HOSE CONNECTION STRAIGHT       | 1     |
| 32  | 60307008150    | HOSE TANK BREAT.               | 1     |
| 33  | 60307050000    | SEAT LOCK CPL.                 | 1     |
| 34  | 0738060201     | FLAT HEAD SCREW ISO7380 M6X20  | 2     |
| 35  | 60307140100    | SEAT R                         | 1     |
| 36  | 60307140050    | SEAT COVERING                  | 1     |
| 37  | 60307080090    | GASKET FUEL LEVEL SENSOR       | 1     |
| 38  | 69013099050    | SCREW F. EXPANSION TANK        | 2     |
| 39  | 6031200810030  | GRIP L/S BLACK                 | 1     |
| 40  | 6031200920030  | HAND GRIP R/S                  | 1     |
| 41  | 6031201000033S | BAGGAGE CARRIER BRIDGE         | 1     |

176070711

18867

\* NEW PART

X ON DEMAND

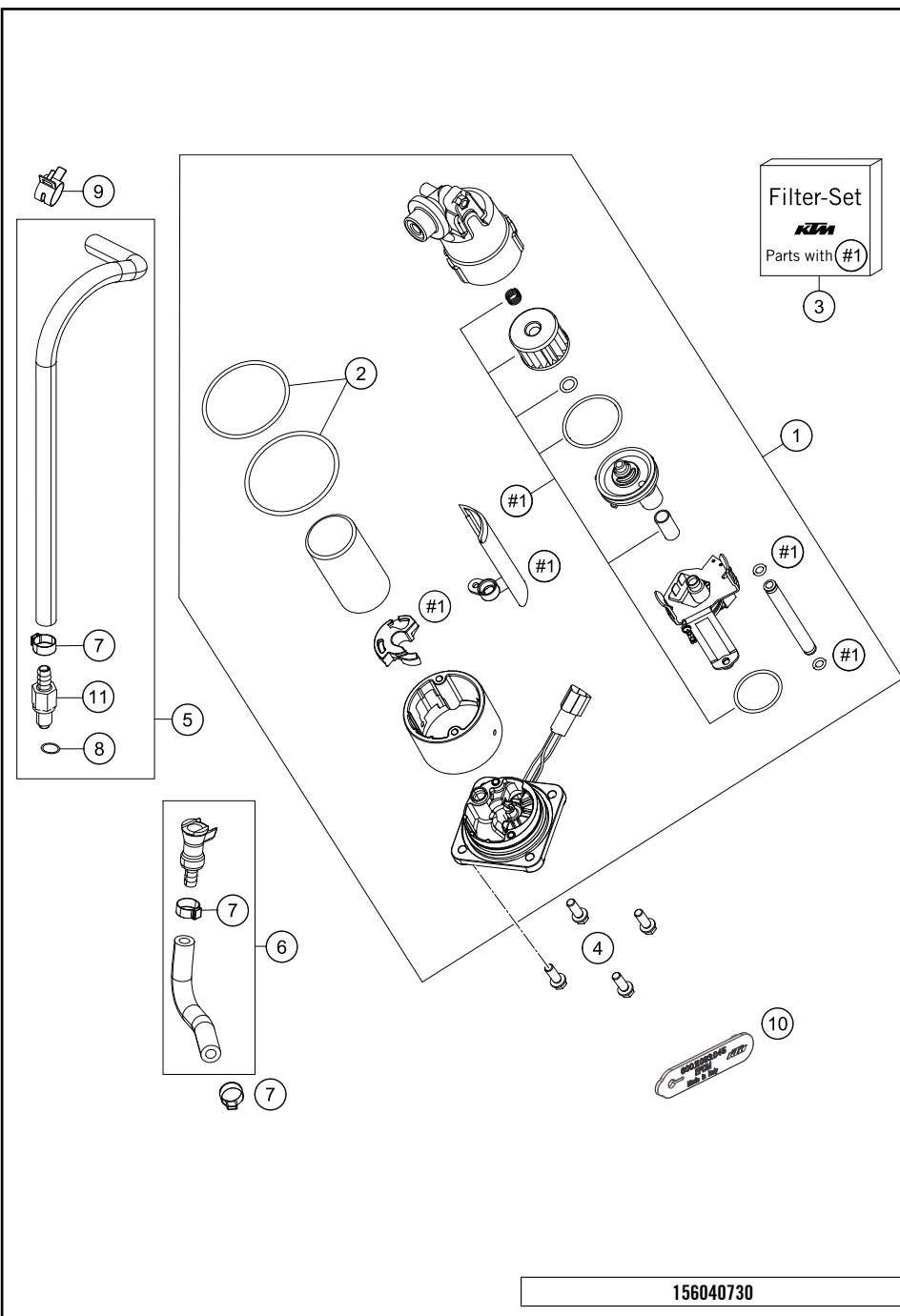


| POS | PARTNUMBER  | PARTNAME                    | PIECE |
|-----|-------------|-----------------------------|-------|
| 42  | 0035080406  | AH-COLLAR SCREW M8X40 ISA45 | 4     |
| 43  | 59001092050 | SPECIAL SCREW M6X12,5 WS=8  | 2     |
| 44  | 0021060003  | WASHER DIN9021-A 6,4        | 2     |
| 45  | 0024060156  | HH COLLAR SCREW M6X15 TX30  | 1     |
| 46  | 58031005000 | CLAMP YDNAC 10128 12MM      | 2     |
| 49  | 60307050020 | LOCK CYLINDER SEAT LOCK     | 1     |
| 50  | 60307008190 | GASKET TANK CAP             | 1     |
| 53  | 69007027000 | RUBBER SLEEVE TANK MOUNT 08 | 2     |
| 54  | 60707045000 | Heat protection shell       | 1     |

176070711

18867

\* NEW PART X ON DEMAND

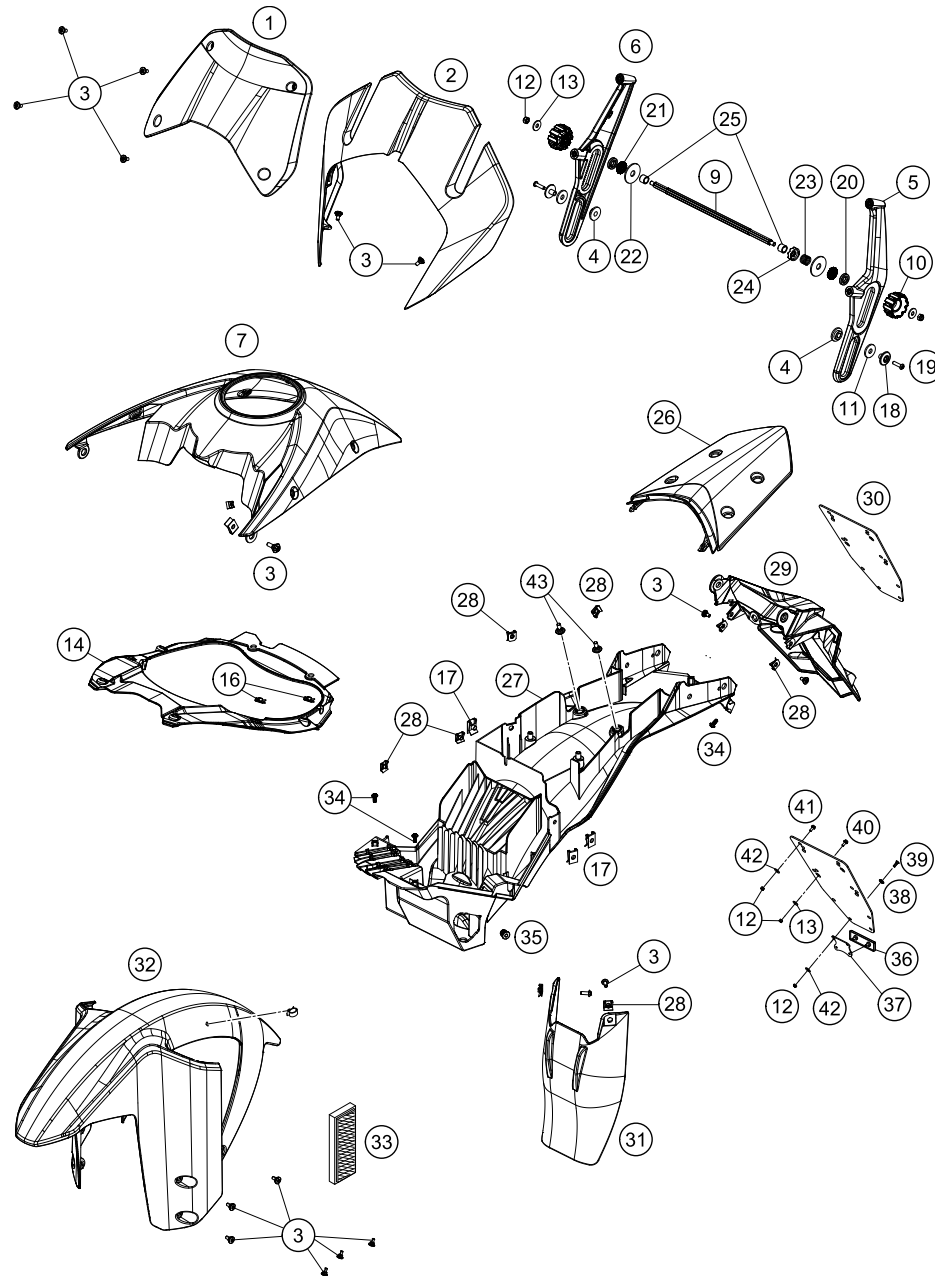


| POS | PARTNUMBER    | PARTNAME                      | PIECE |
|-----|---------------|-------------------------------|-------|
| 1   | 60307088000   | FUEL PUMP                     | 1     |
| 2   | 61007089000   | O-RING SET FOR FUEL PUMP 05   | 1     |
| 3   | 61007090100   | FILTER-SET FUEL PUMP          | 1     |
| 4   | 0025060166    | HH COLLAR SCREW M6X16 TX30    | 4     |
| 5   | 60307016000   | FUEL HOSE 1 CPL.              | 1     |
| 6   | 60307017000   | FUEL HOSE TANK/CONNECTOR      | 1     |
| 7   | 00050157706   | VARIABLE ONE-EAR CLAMP 15,7MM | 4     |
| 8   | 58507012000   | O-RING VITON F. PLUG CPC 05   | 1     |
| 9   | 00049140121   | CLAMP STD DN14                | 1     |
| 10  | 60011093045   | RUBBER CABLE TIE 45MM 03      | 1     |
| 11  | 5850701030030 | PLUG CPC BLACK 05             | 1     |

156040730

16036

\* NEW PART X ON DEMAND



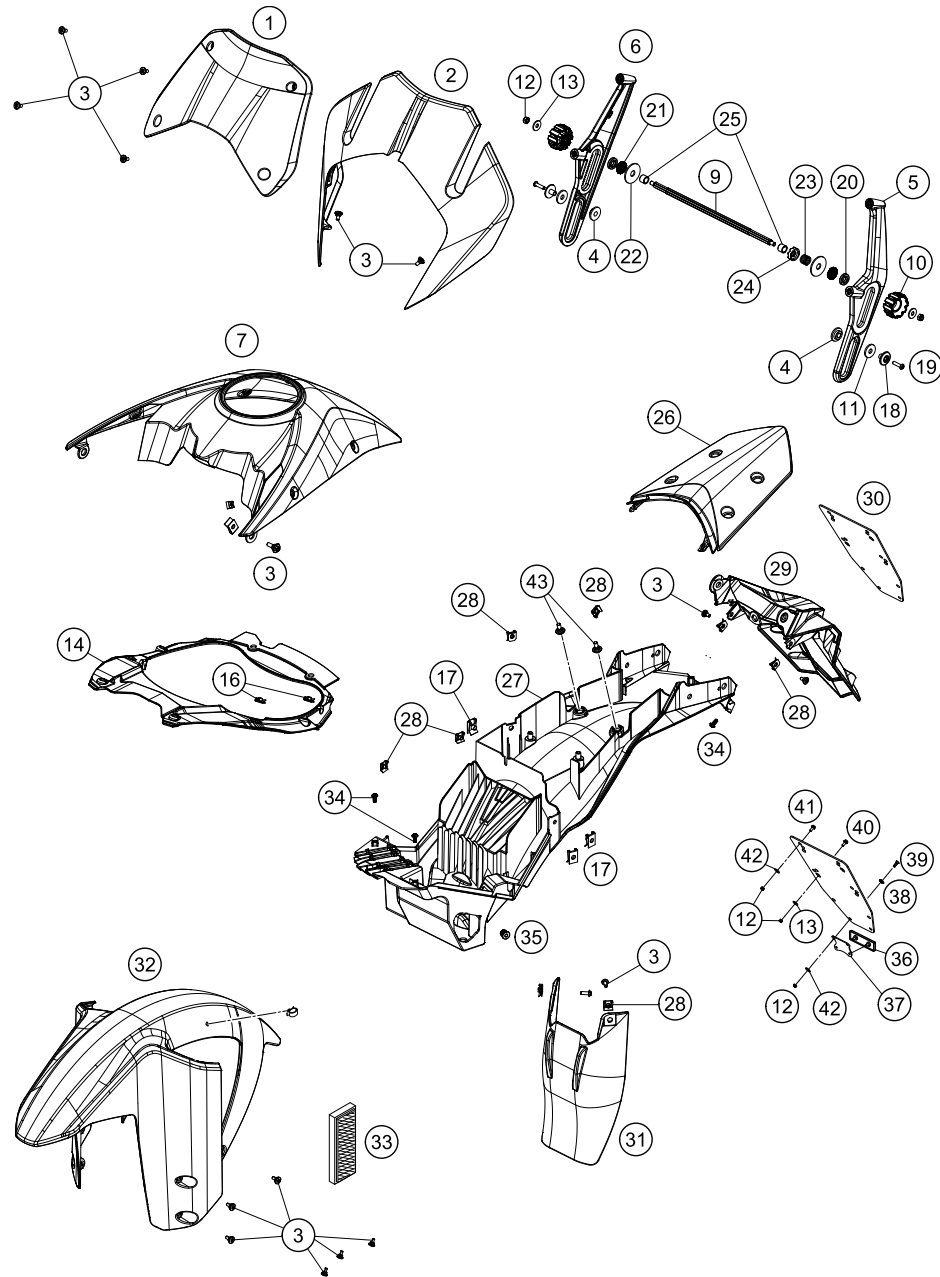
176070811

| POS | PARTNUMBER    | PARTNAME                         | PIECE |
|-----|---------------|----------------------------------|-------|
| 1   | 60708208000   | Windshield short EU              | 1     |
| 2   | 60708001000   | Headlight mask                   | 1     |
| 3   | 69008021160   | SPECIAL SCREW M5X12              | 28    |
| 4   | 60708008052   | Bearing sleeve                   | 2     |
| 5   | 6070800805033 | Windshield support left          | 1     |
| 6   | 6070800805133 | Windshield support right         | 1     |
| 7   | 60308030000EB | Tank fairing                     | 1     |
| 9   | 60708008054   | Shaft                            | 1     |
| 10  | 60408008053   | ADJUSTING WHEEL                  | 2     |
| 11  | 60708008062   | Washer D=24/T=2.5                | 2     |
| 12  | 0985060003    | SELF LOCK. NUT DIN0985-M 6       | 3     |
| 13  | 0021060003    | WASHER DIN9021-A 6,4             | 2     |
| 14  | 60708105000   | Dashboard cover                  | 1     |
| 16  | 69008021080   | RANGE CHANGE METAL NUT M5        | 14    |
| 17  | 54603048100   | RANGE CHANGE METAL NUT M6        | 5     |
| 18  | 60708008055   | Collared bush                    | 21    |
| 19  | 0738050202    | Lens head screw ISO 7380-M5X20A2 | 2     |
| 20  | 60708008057   | Windshield support rubber        | 2     |
| 21  | 60408008155   | GEAR 16TH ADJUSTMENT             | 2     |
| 22  | 60708008063   | Washer D=36/T=2                  | 2     |
| 23  | 60708008067   | Spring windshield                | 1     |
| 24  | 60708008065   | Toothed disk                     | 1     |
| 25  | 60708008064   | Plain bearing                    | 2     |
| 26  | 6030801300033 | REAR FENDER                      | 1     |
| 27  | 60308019200   | Tail end lower part              | 1     |
| 28  | 54603048200   | RANGE CHANGE METAL NUT M5        | 2     |
| 29  | 60308015000   | NUMBER PLATE SUPPORT             | 1     |
| 30  | 60012081200   | LICENCE FITTING 06               | 1     |
| 31  | 60304050000   | SPLASH PROTECTION                | 1     |
| 32  | 6030801000033 | FRONT FENDER                     | 1     |
| 33  | 60012080100   | SIDE REFLECTOR YELLOW "CEV"      | 2     |
| 34  | 0081050121    | SCREW FOR PLASTIC K50X12 T20     | 4     |
| 35  | 60308095000   | EJOFORM DELTASERT M6 AL          | 1     |
| 36  | 58412080200   | REFLECTOR RED "CEV"              | 1     |
| 37  | 58412080050   | BRACKET FOR REFLECTOR            | 1     |
| 38  | 40006006000   | WASHER 6MM                       | 2     |
| 39  | 0966050163    | OVAL HEAD SCREW DIN0966-M 5X16   | 2     |
| 40  | 0024060156    | HH COLLAR SCREW M6X15 TX30       | 2     |

18875

\* NEW PART

X ON DEMAND



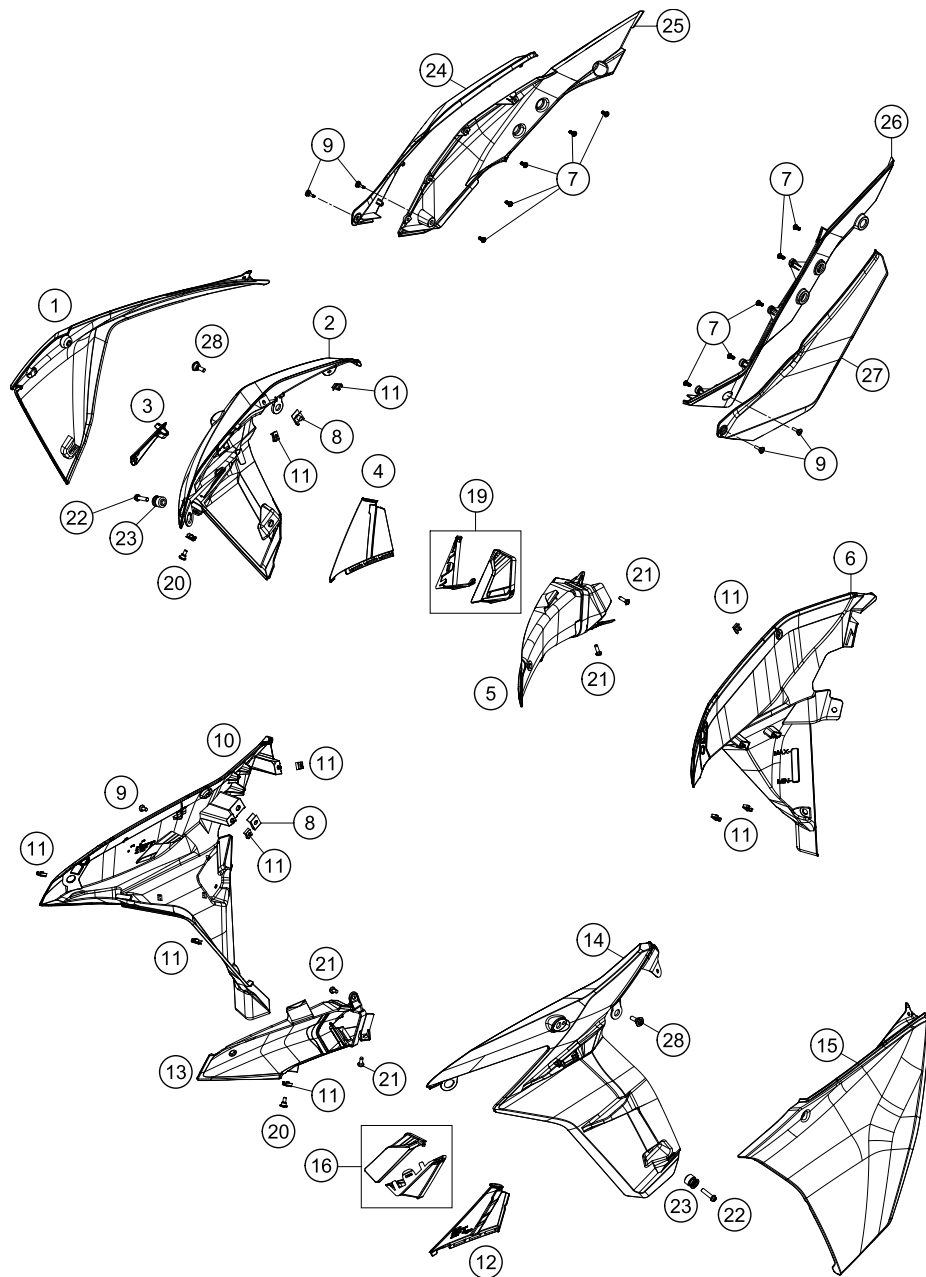
| POS | PARTNUMBER  | PARTNAME                   | PIECE |
|-----|-------------|----------------------------|-------|
| 41  | 0024060206  | HH COLLAR SCREW M6X20 TX30 | 2     |
| 42  | 0125060003  | WASHER DIN0125-A 6,4       | 2     |
| 43  | 83008000015 | SPECIAL SCREW M6X15X3      | 2     |

176070811

18875

\* NEW PART

X ON DEMAND



176070821

| POS | PARTNUMBER    | PARTNAME                     | PIECE |
|-----|---------------|------------------------------|-------|
| 1   | 60708051000AB | Spoiler right white          | 1     |
| 2   | 6070810300033 | Fairing right                | 1     |
| 3   | 6070810201033 | Maintenance cover            | 1     |
| 4   | 60708103060   | Cover for right intake port  | 1     |
| 5   | 6070810305033 | Air intake right             | 1     |
| 6   | 60708126000   | Inner cover right            | 1     |
| 7   | 0081045121    | SCREW FOR PLASTIC K45X12 T20 | 10    |
| 8   | 54603048100   | RANGE CHANGE METAL NUT M6    | 2     |
| 9   | 69008021160   | SPECIAL SCREW M5X12          | 9     |
| 10  | 60708125000   | Inner cover left             | 1     |
| 11  | 69008021080   | RANGE CHANGE METAL NUT M5    | 10    |
| 12  | 60708102060   | Cover for left intake port   | 1     |
| 13  | 6070810205033 | Air intake left              | 1     |
| 14  | 6070810200033 | Fairing left                 | 1     |
| 15  | 60708050000AB | Spoiler left white           | 1     |
| 16  | 6070604403333 | Cover intake duct le. cpl.   | 1     |
| 19  | 6070604503333 | Cover intake duct right cpl. | 1     |
| 20  | 69007025014   | Special screw M5X14 ISA30    | 2     |
| 21  | 0081050161    | EJOT PT SCREW K50X16 1451    | 4     |
| 22  | 0025060256    | HH COLLAR SCREW M6X25 TX30   | 2     |
| 23  | 60708050010   | Bushing                      | 2     |
| 24  | 60308042000AB | Tail spoiler right white     | 1     |
| 25  | 6070804400033 | REAR SIDE COVER RIGHT BLACK  | 1     |
| 26  | 6070804300033 | REAR SIDE COVER LEFT BLACK   | 1     |
| 27  | 60308041000AB | Tail spoiler left white      | 1     |
| 28  | 83008100020   | SCREW M6X20X5,5              | 2     |

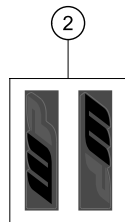
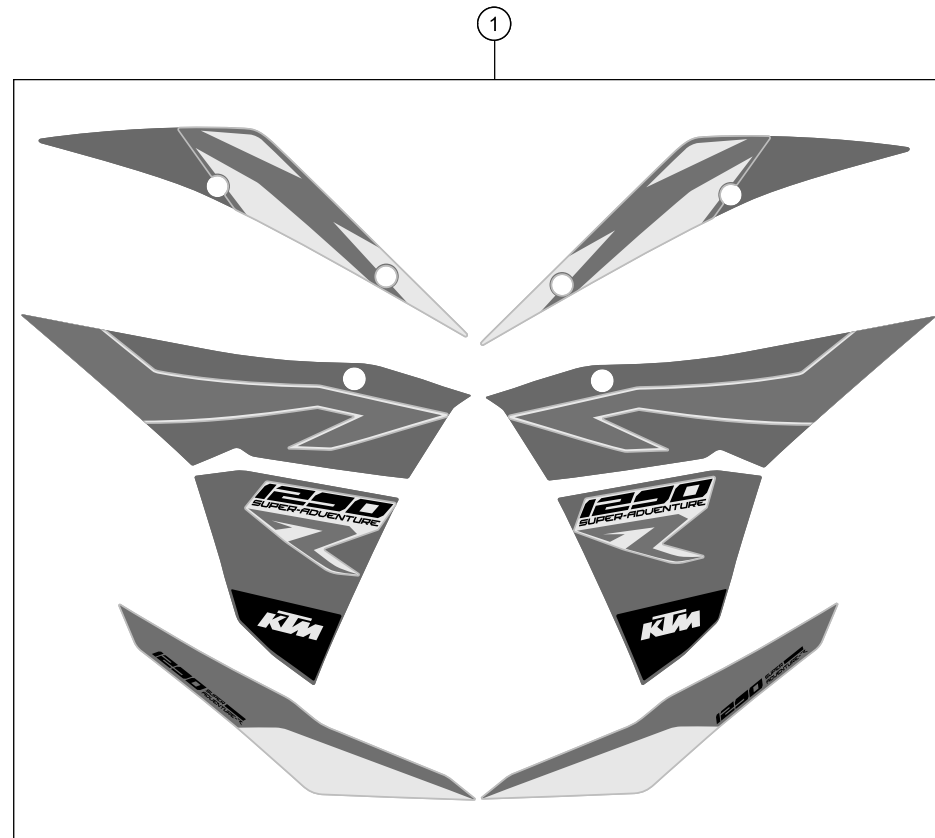
18876

\* NEW PART

X ON DEMAND

DECAL

1290 SUPER ADVENTURE R 2017



| POS | PARTNUMBER  | PARTNAME                   | PIECE |
|-----|-------------|----------------------------|-------|
| 1   | 60708199000 | Dekorsatz 1290 Adventure R | 1     |
| 2   | 52000147    | Stickerkit fork 175x45     | 1     |

176070832

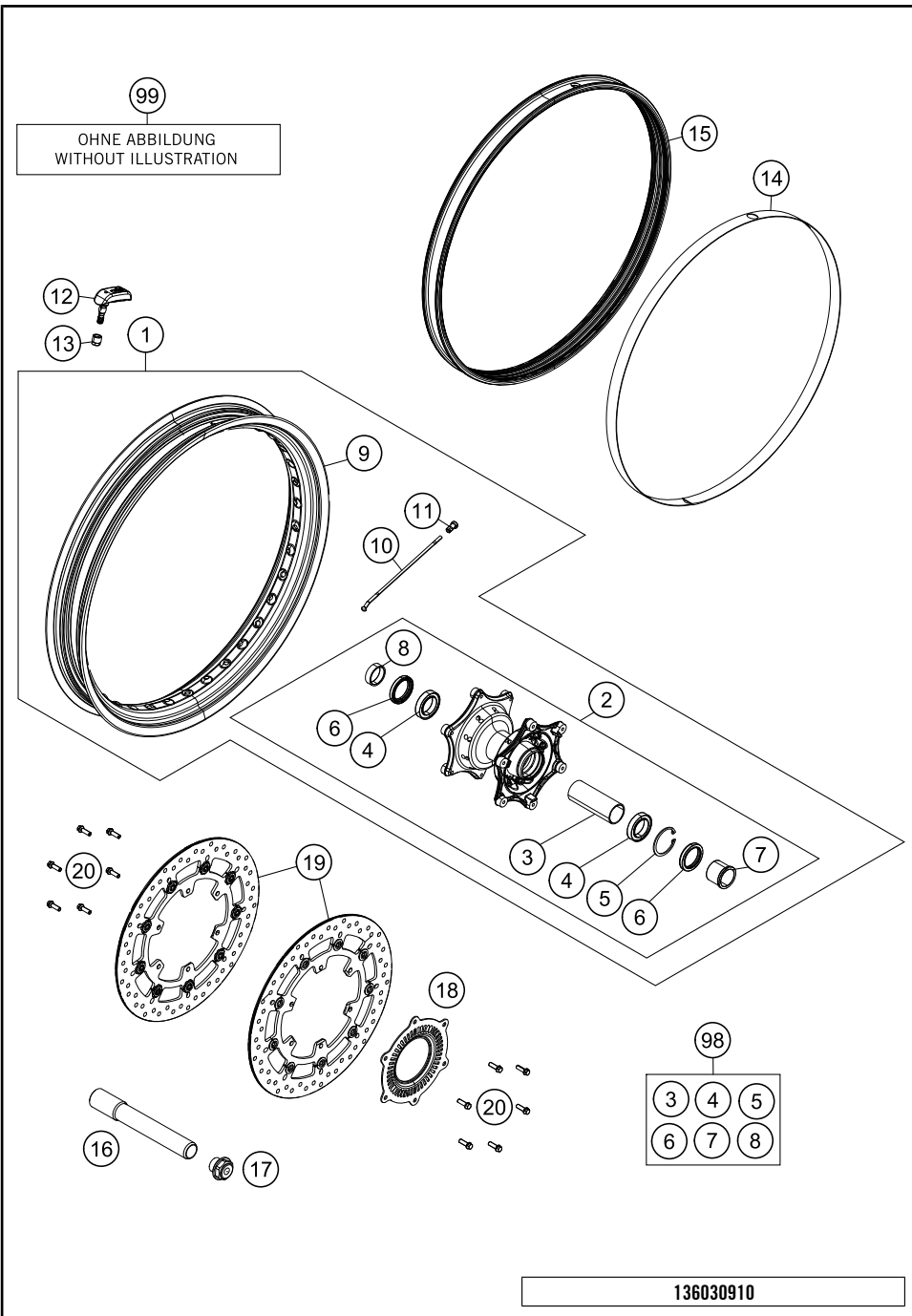
18887

\* NEW PART

X ON DEMAND

# FRONT WHEEL

# 1290 SUPER ADVENTURE R 2017



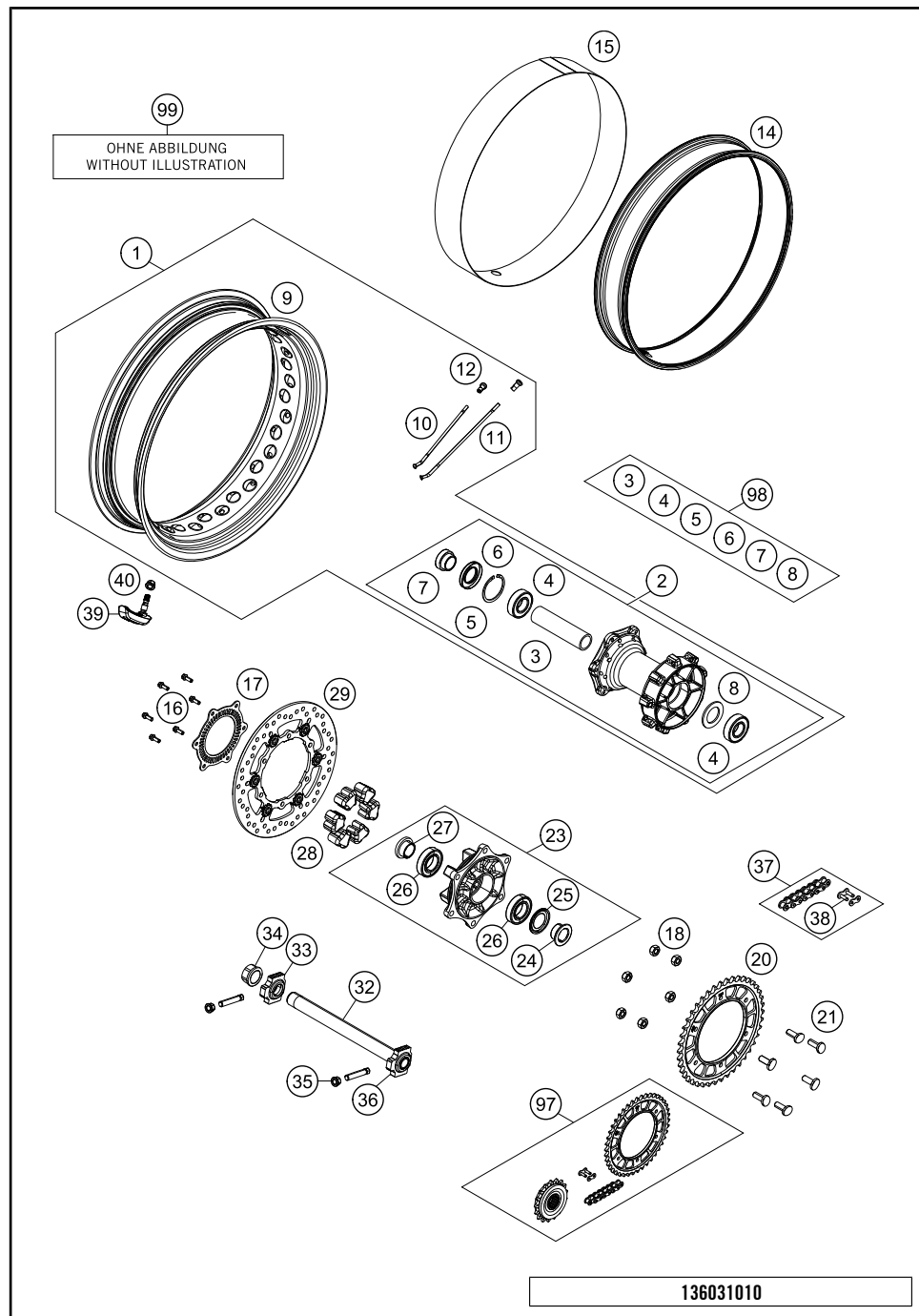
| POS | PARTNUMBER     | PARTNAME                       | PIECE |
|-----|----------------|--------------------------------|-------|
| 1   | 6030900124433A | Front wheel cpl. 2,5X21" BLACK | 1     |
| 2   | 6030901014433  | FRONT HUB CPL.                 | 1     |
| 3   | 60309011000    | BUSHING SPACER TUBE FRONT      | 1     |
| 4   | 0625069068     | GR.BALL BEAR.6906 DDU2CG23S6NM | 2     |
| 5   | 0472047175     | CIRCLIP DIN0472-47X1,75        | 1     |
| 6   | 0760354771     | SHAFT SEAL RING 35X47X7 TC     | 2     |
| 7   | 60309012000    | SPACER BUSH. FRONT WHEEL LEFT  | 1     |
| 8   | 60009013000    | SPACER BUSH. FR. WHEEL R/S 03  | 1     |
| 9   | 6030917010033A | Rim 2.5x21"TL.bl.w.sticker     | 1     |
| 10  | 60309071000    | SPOKE 5/4.37/M5                | 36    |
| 11  | 60310072100    | SPOKE NIPPLE QUADRAX M5        | 36    |
| 12  | 60312033000    | TIRE AIR PRESSURE SENSOR       | 1     |
| 13  | 60312033050    | NUT AIR PRESSURE SENSOR        | 1     |
| 14  | 60309073100    | RIM BAND 21"                   | 1     |
| 15  | 60309177000    | GASKET RUBBER 2.5"X21"         | 1     |
| 16  | 60309081000    | AXLE FRONT                     | 1     |
| 17  | 6900103600001  | STEERING HEAD SCREW 09         | 1     |
| 18  | 60342020000    | SENSOR GEAR ABS                | 1     |
| 19  | 6030906000030  | BRAKE DISC FRONT D=320X4,5     | 2     |
| 20  | 59009062019    | SPECIAL SCREW M6X19 WS=8 10.9  | 12    |
| 98  | 60309015000    | FRONT WHEEL REP. KIT ADV 13-14 | x     |
| 99  | 60312034044    | VALVE KIT AIR PRESSURE SENSOR  | 1     |

136030910

18880

\* NEW PART X ON DEMAND





| POS | PARTNUMBER     | PARTNAME   | PIECE |
|-----|----------------|--|-------|
| 1   | 6031000124433A | Rear wheel cpl. 4.5X18"                                | 1     |
| 2   | 6031001014433  | REAR HUB CPL.  | 1     |
| 3   | 60010011000    | BEAR. SPACERTUBE L=124,8MM 03                          | 1     |
| 4   | 0625062052     | GR.BALL BEAR. 6205-2RSHC3HMTF7                         | 2     |
| 5   | 0472052200     | CIRCLIP DIN0472-52X2                                   | 1     |
| 6   | 0760305271     | SHAFT SEAL RING 30X52X7                                | 1     |
| 7   | 60310013000    | SPACER BUSHING REAR WHEEL R/S                          | 1     |
| 8   | 60010015000    | SPACER RING 03   | 1     |
| 9   | 6031007010033A | Rim 4,5x18" TL bl.w.sticker                            | 1     |
| 10  | 60310171000    | SPOKE 5/4.37/M5  | 18    |
| 11  | 60310071000    | SPOKE 5/4.37/M5  | 18    |
| 12  | 60310072100    | SPOKE NIPPLE QUADRAX M5                                | 36    |
| 14  | 60310177100    | GASKET RUBBER 4.5"X18"                                 | 1     |
| 15  | 60310073100    | RIM BAND 18"   | 1     |
| 16  | 59009062016    | SPECIAL SCREW M6X16 WS=8 10.9                          | 6     |
| 17  | 60142021100    | SENSOR GEAR ABS REAR                                   | 1     |
| 18  | 0980101253     | HEXAG.NUT DIN 980V M10X1,25 SL                         | 6     |
| 20  | 60010051042    | REAR SPROCKET 42-T 03                                  | 1     |
| 21  | 60010052000    | SPROCKET SCREW M10X1,25 03                             | 6     |
| 23  | 6011005004433  | SPROCKET SUPPORT CPL. BLACK                            | 1     |
| 24  | 60110012000    | SPACER BUSH. SPROCKET SUPP. 06                         | 1     |
| 25  | 60110016000    | NILOS RING 6006AV                                      | 1     |
| 26  | 0625060060     | BALL BEARING 6006 DDU2CG23S6NM                         | 2     |
| 27  | 60110014000    | SPACER BUSH. SPR. SUPP. IN. 06                         | 1     |
| 28  | 54610459000    | RUBBER DAMPING BLOCK '91                               | 6     |
| 29  | 6031006000030  | BRAKE DISK REAR  | 1     |
| 32  | 60310081044    | AXLE REAR CPL.   | 1     |
| 33  | 60010084000    | CHAIN TENSIONER R/S LC8 03                             | 1     |
| 34  | 61010086000    | COLLAR NUT M25X1,5 WS=32 05                            | 1     |
| 35  | 58414030000    | HH COLLAR NUT M10X1,25 WS=13                           | 2     |
| 36  | 50304040100    | SCREW M10X1,25X50 WS=10                                | 2     |
| 37  | 60410165118    | CHAIN 525 SDZZ WITH MAST. LINK<br>RIVET TOOL NECESSARY | 1     |
| 38  | 60410066000    | MASTER LINK F.CHAIN 525 SDZZ                           | x     |
| 39  | 60312033000    | TIRE AIR PRESSURE SENSOR                               | 1     |
| 40  | 60312033050    | NUT AIR PRESSURE SENSOR                                | 1     |
| 97  | 00050002013    | DRIVETRAIN KIT ADV/-S 17T/42T                          | x     |

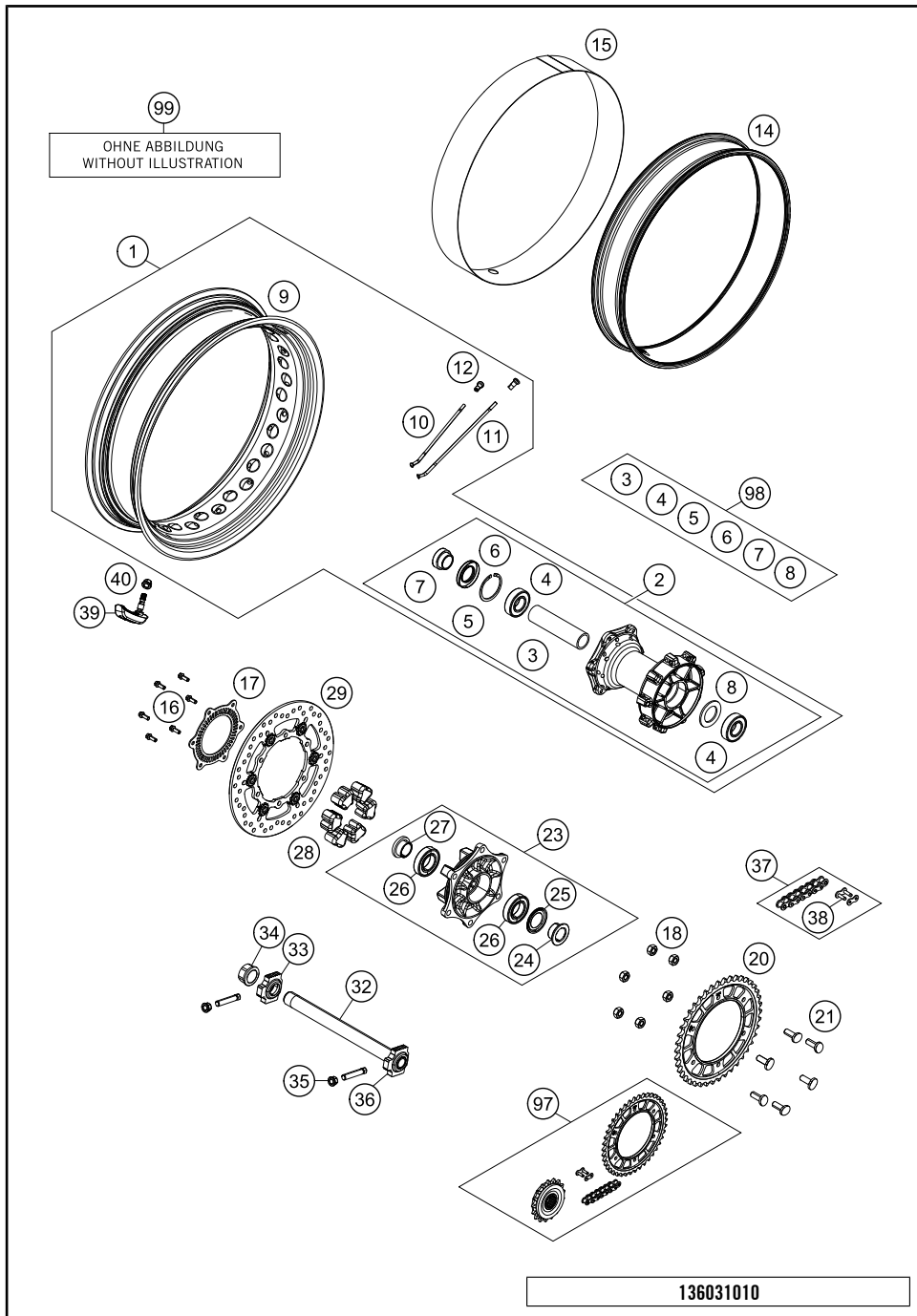
136031010

18881

\* NEW PART X ON DEMAND

# REAR WHEEL

# 1290 SUPER ADVENTURE R 2017

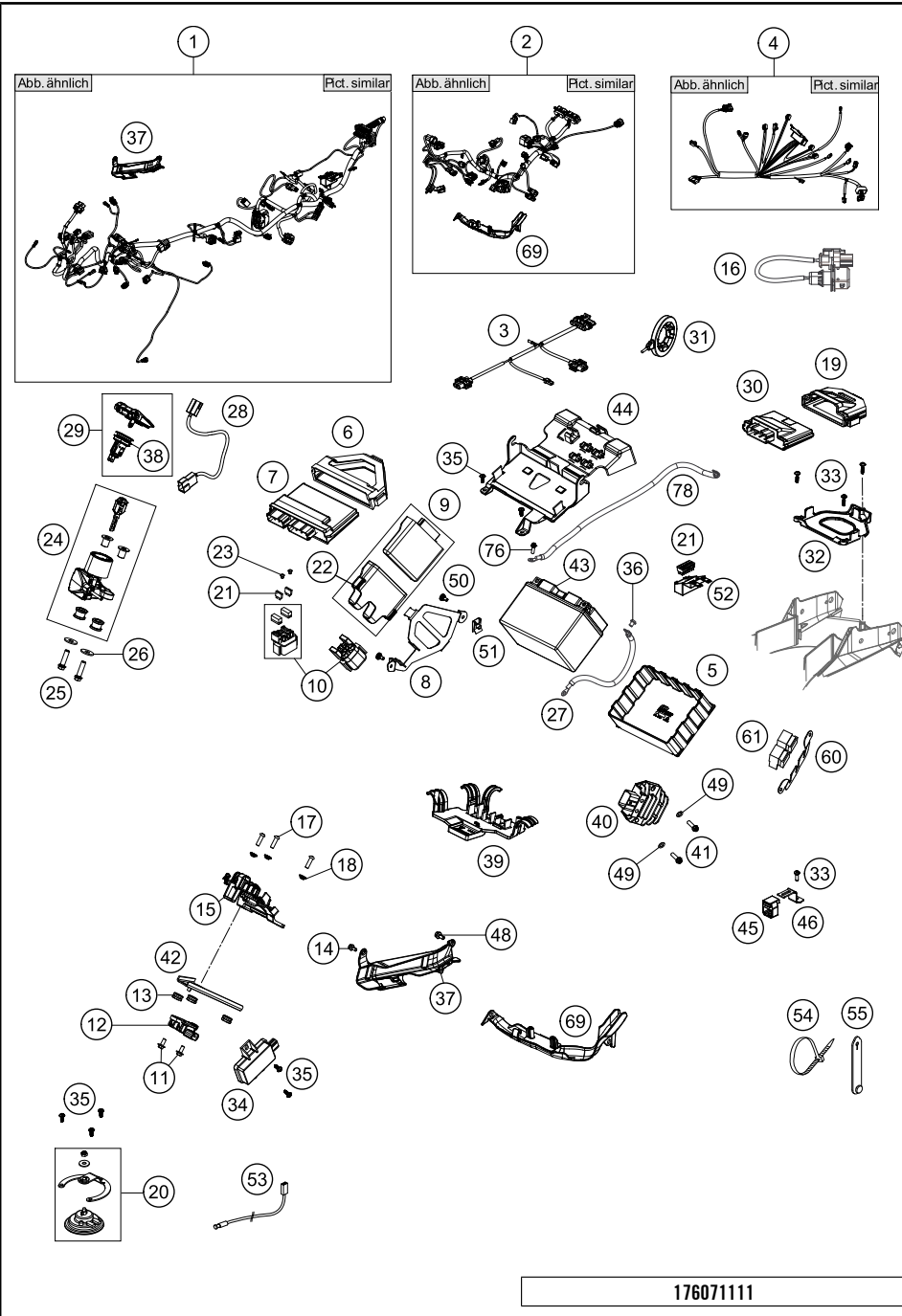


| POS | PARTNUMBER  | PARTNAME                      | PIECE |
|-----|-------------|-------------------------------|-------|
| 98  | 60310015000 | REAR WHEEL REP. KIT ADV 13-14 | x     |
| 99  | 60312034044 | VALVE KIT AIR PRESSURE SENSOR | 1     |

18881

\* NEW PART

X ON DEMAND



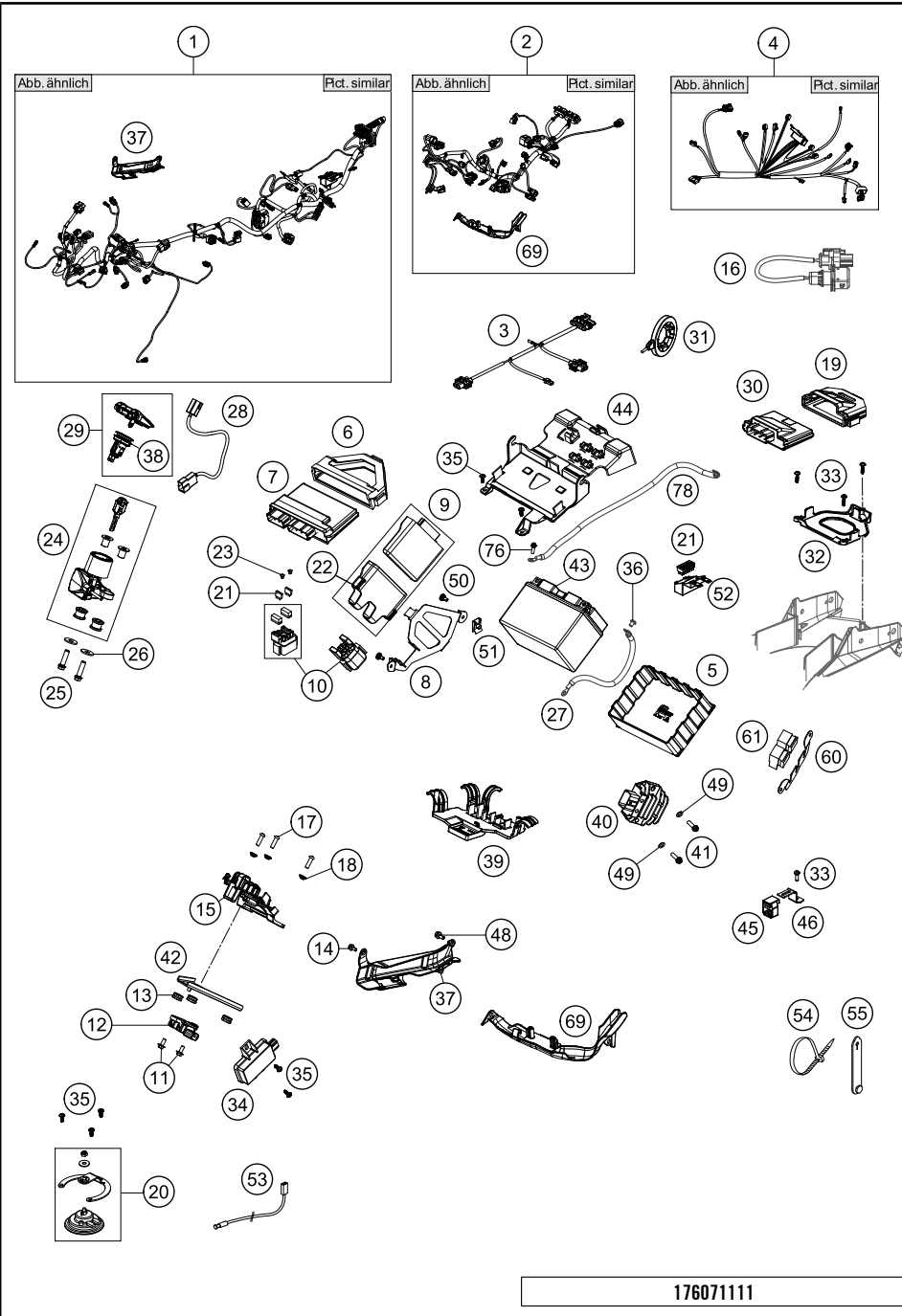
| POS | PARTNUMBER    | PARTNAME                      | PIECE |
|-----|---------------|-------------------------------|-------|
| 1   | 60711175033   | Main wiring harness R cpl.    | 1     |
| 2   | 60711085000   | Wiring harness                | 1     |
| 3   | 60311079000   | WIRING HARNESS HEAD LIGHT     | 1     |
| 4   | 60311076000   | REAR WIRING HARNESS           | 1     |
| 5   | 60311053050   | BATTERIE HOUSING              | 1     |
| 6   | 60341031050   | ECU RUBBER BRACKET            | 1     |
| 7   | 61341031300   | Control unit EFI              | 1     |
| 8   | 60311057050   | BRACKET ELECTRIC              | 1     |
| 9   | 60416031000   | ELECTRONIC CONTROL UNIT SAFE  | 1     |
| 10  | 58211058000   | STARTER RELAY 12V '99         | 1     |
| 11  | 0024060136    | HH COLLAR SCREW M6X13 TX30    | 2     |
| 12  | 60342090000   | SLOPING POSITIONS SENSOR      | 1     |
| 13  | 62142041000   | DAMP. COMPONENT ABS MODUL     | 3     |
| 14  | 69008021160   | SPECIAL SCREW M5X12           | 2     |
| 15  | 60711048000   | Connector support front       | 1     |
| 16  | 60411078050   | Wiring harness                | 1     |
| 17  | 0738060201    | FLAT HEAD SCREW ISO7380 M6X20 | 3     |
| 18  | 76508043050   | COLLAR BUSHING                | 3     |
| 19  | 60711033050   | Rubber band                   | 1     |
| 20  | 60711060033   | Direct current horn complete  | 1     |
| 21  | 58011109140   | FUSE 40 A                     | x     |
| 21  | 58011109130   | FUSE 30 A                     | x     |
| 21  | 58011109125   | FUSE 25 A                     | x     |
| 21  | 58011109115   | FUSE 15 A                     | x     |
| 21  | 58011109110   | FUSE 10 A 2000                | x     |
| 22  | 60316029000   | RUBBER EDS-CONTROL UNIT       | 1     |
| 23  | 0902060083    | AH OVAL SCREW ISO 7380 M 6X8  | 2     |
| 24  | 60711066000   | ZÜNDSCHLOSS RRS               | 1     |
| 25  | 0025080306S   | HH COLLAR SCREW M8X30 TX40    | 2     |
| 26  | 0021080003    | WASHER DIN9021-A 8,4          | 2     |
| 27  | 60311059050   | BATTERIE CABLE                | 1     |
| 28  | 60711042050   | Cable                         | 1     |
| 29  | 60714013033B2 | Power socket complete silver  | 1     |
| 30  | 60711033000   | Control unit MCU 3.0          | 1     |
| 31  | 69011168000   | Antenna keyless               | 1     |
| 32  | 60708019010   | Support                       | 1     |
| 33  | 0081050181    | SCREW FOR PLASTIC K50X18 T20  | 4     |
| 34  | 60312032000   | RECEIVER AIR PRESSURE SENSOR  | 1     |

176071111

18879

\* NEW PART

X ON DEMAND



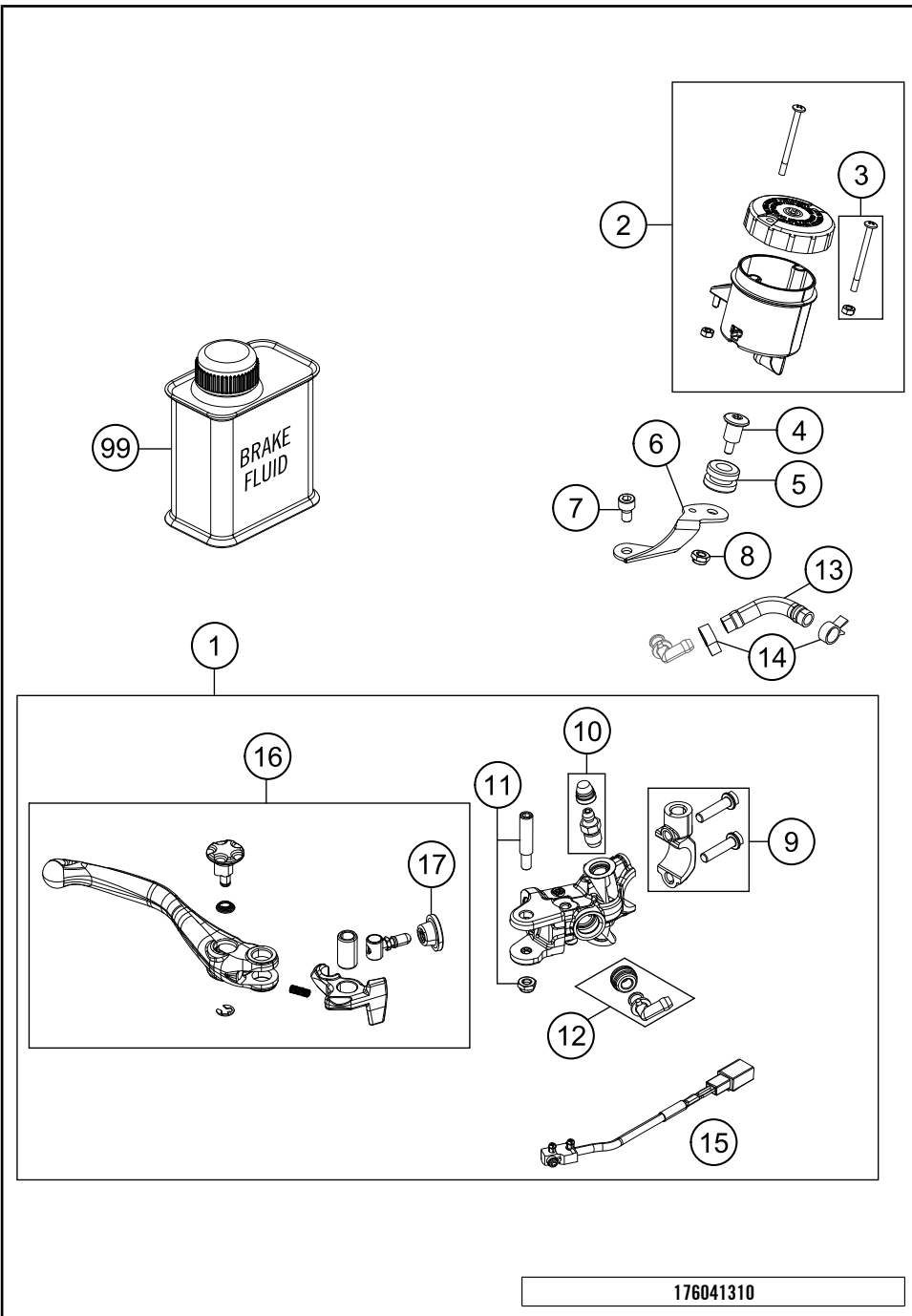
| POS | PARTNUMBER  | PARTNAME                       | PIECE |
|-----|-------------|--------------------------------|-------|
| 35  | 0081050121  | SCREW FOR PLASTIC K50X12 T20   | 7     |
| 36  | 0902060083  | AH OVAL SCREW ISO 7380 M 6X8   | 2     |
| 37  | 60311047000 | CABLE CHANNEL R/S              | 1     |
| 38  | 60711042000 | Power socket 12V               | 1     |
| 39  | 60311049200 | Plug board rear                | 1     |
| 40  | 60311034000 | VOLTAGE REGULATOR              | 1     |
| 41  | 0025060206  | HH COLLAR SCREW M6X20 TX30     | 2     |
| 42  | 60342090040 | BRACKET SLOPING POSITIONS SENS | 1     |
| 43  | 60011053000 | BATTERY 12V/11AH 03            | 1     |
| 44  | 60308017000 | BATTERIE COVER                 | 1     |
| 45  | 61041085050 | RUBBER SUPP. PRESSURE SENS. 05 | 1     |
| 46  | 60311040100 | BRACKET PRESSURE SENSOR        | 1     |
| 48  | 0023060123  | COLLAR SCREW M6X12 TX          | 1     |
| 49  | 60007020040 | PLASTIC WASHER 03              | 2     |
| 50  | 0025050126  | HH COLLAR SCREW M5X12 TX30     | 2     |
| 51  | 54603048200 | RANGE CHANGE METAL NUT M5      | 2     |
| 52  | 58411087050 | RUBBERCOVER F.LOCKHOLDER       | 1     |
| 53  | 61111018100 | TEMPERATURE SENSOR             | 1     |
| 54  | 44011076140 | CABLE TIE 140/2,5MM BLACK      | x     |
| 54  | 44011076200 | CABLE TIE 200/3,6MM BLACK      | x     |
| 54  | 44011076305 | CABLE TIE 300/4,8MM BLACK      | x     |
| 55  | 60011093045 | RUBBER CABLE TIE 45MM 03       | x     |
| 55  | 60011093060 | RUBBER CABLE TIE 60MM 03       | x     |
| 55  | 60011093075 | RUBBER CABLE TIE 75MM 03       | x     |
| 60  | 60711057050 | Retaining bracket              | 1     |
| 61  | 61111057000 | RELAY CM1A-R-12V-H80 07        | 2     |
| 69  | 60311046000 | CABLE CHANNEL L/S              | 1     |
| 78  | 60311097000 | GROUND CABLE                   | 1     |

176071111

18879

\* NEW PART

X ON DEMAND

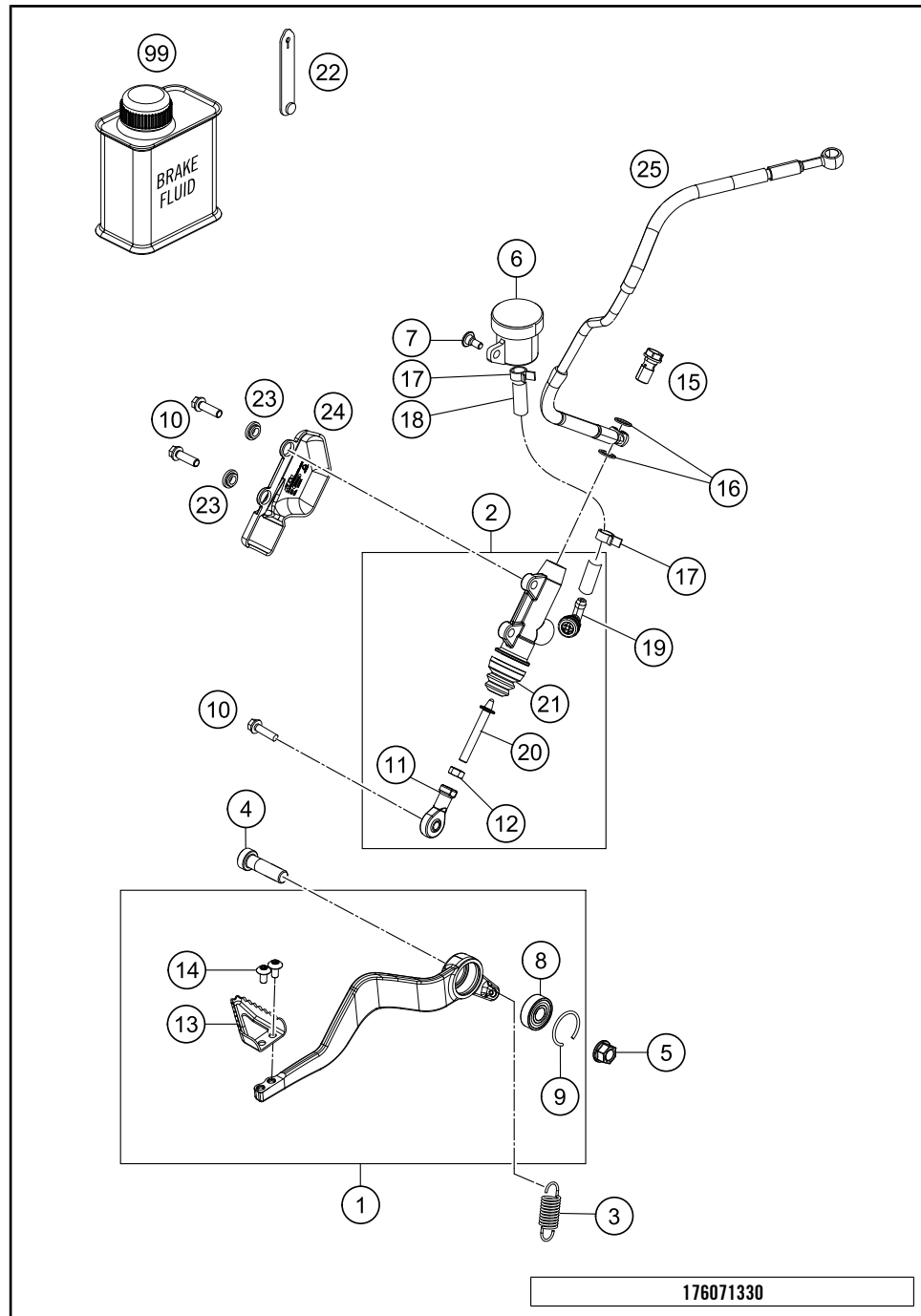


| POS | PARTNUMBER    | PARTNAME                       | PIECE |
|-----|---------------|--------------------------------|-------|
| 1   | 6201310110030 | Hand brake cylinder complete   | 1     |
| 2   | 61013009202   | BRAKE FLUID RESERV. WHITE CPL. | 1     |
| 3   | 61013009203   | SCREW + NUT F. RESERVOIR       | 1     |
| 4   | 61013013050   | SCREW RET.PANEL-RESERVOIR      | 1     |
| 5   | 61013013000   | RUBBER BUSH 05                 | 1     |
| 6   | 61013009001   | RET.PANEL FLUID RES. FRONT 05  | 1     |
| 7   | 61013021000   | SCREW RET.PANEL-BRAKE CYLINDER | 1     |
| 8   | 61013009004   | NUT FOR RESERVOIR              | 1     |
| 9   | 61013005000   | CLAMP CPL. 05                  | x     |
| 9   | 76013005100   | CLAMP CPL. 16                  | 1     |
| 10  | 60013020000   | BLEEDER SCREW WITH CAP         | 1     |
| 11  | 61013006000   | LEVER SCREW CPL. 05            | 1     |
| 12  | 54513155000   | ANGLE PIECE                    | 1     |
| 13  | 58007016101   | HOSE FOR RESERVOIR 6X1,5       | 1     |
| 14  | 58007017000   | YDNAC CLAMP 10101 (10,4MM)     | 2     |
| 15  | 60311050000   | BRAKE LIGHT SWITCH FRONT       | 1     |
| 16  | 6251300214430 | HAND BRAKE LEVER CPL. BLACK    | 1     |
| 17  | 61013008000   | RUBBER CUP 05                  | 1     |
| 99  | 00062030000   | BRAKE FLUID DOT5.1 0,25L       | 1     |

176041310

18837

\* NEW PART X ON DEMAND



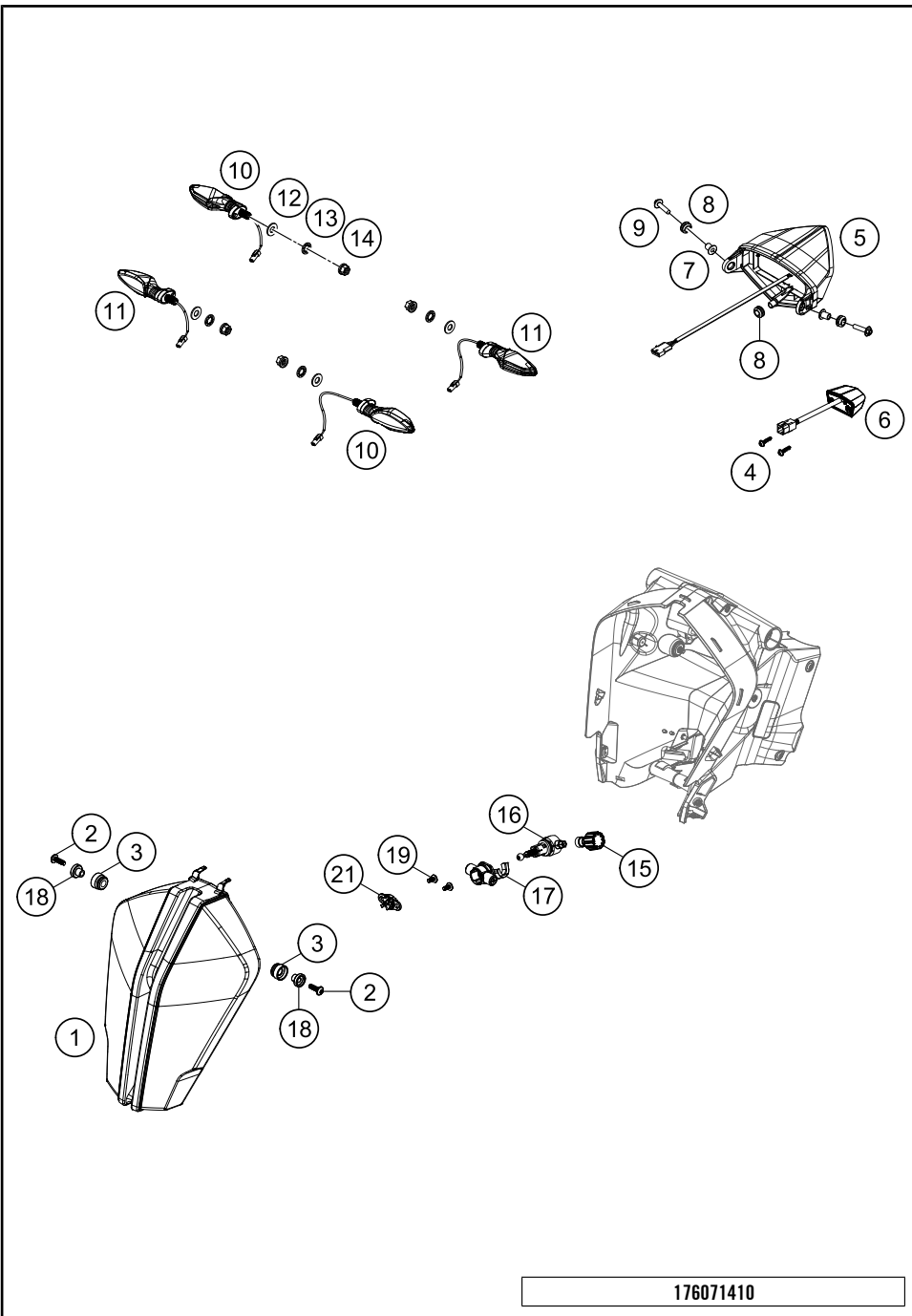
176071330

| POS | PARTNUMBER     | PARTNAME                       | PIECE |
|-----|----------------|--------------------------------|-------|
| 1   | 6031305004433S | FOOT BRAKE LEVER KPL.          | 1     |
| 2   | 6031306000030  | REAR BRAKE CONTROL             | 1     |
| 3   | 54603062100    | RETURN SPRING FOR BRAKE LEVER  | 1     |
| 4   | 0032100356S    | AH-COLLAR SCREW M10X35 ISA45   | 1     |
| 5   | 54630044000    | COLLAR NUT M10 WS=13           | 1     |
| 6   | 54513030044    | BRAKE FLUID RESERVOIR '89      | 1     |
| 7   | 69013099050    | SCREW F. EXPANSION TANK        | 1     |
| 8   | 0625060002     | BALL BEARING SKF 6000-2RS1     | 1     |
| 9   | 0993026500     | LOCK RING DIN7993-B26          | 1     |
| 10  | 0025060206     | HH COLLAR SCREW M6X20 TX30     | 3     |
| 11  | 54603069000    | SWIVEL HEAD M6 FOOT BRAKE LEV. | 1     |
| 12  | 0934060003     | HEXAGON NUT DIN0934-M 6        | 1     |
| 13  | 60313051000    | STEP PLATE FOOT BRAKE LEVER    | 1     |
| 14  | 78105081010    | SCREW TORX M5X10               | 2     |
| 15  | 62113020100    | HOLL. SCREW M10X1X19.5         | 1     |
| 16  | 0603100141     | COPPER GASKET DIN7603-10X14X1  | 2     |
| 17  | 58007017000    | YDNAC CLAMP 10101 (10,4MM)     | 2     |
| 18  | 69013069001    | HOSE FOR RESERVOIR 6X1,5       | 1     |
| 19  | 54513155000    | ANGLE PIECE                    | 1     |
| 20  | 60313056044    | PUSH ROD CPL.                  | 1     |
| 21  | 54513151000    | RUBBER SLEEVE                  | 1     |
| 22  | 60011093045    | RUBBER CABLE TIE 45MM 03       | 1     |
| 23  | 50213161000    | COLLAR BUSHING                 | 2     |
| 24  | 54513038000    | BRAKE CYL. PROTECTOR "BREMBO"  | 1     |
| 25  | 60342001000    | BRAKE HOSE REAR BRAKE CONTROL  | 1     |
| 99  | 00062030000    | BRAKE FLUID DOT5.1 0,25L       | 1     |

18838

\* NEW PART

X ON DEMAND



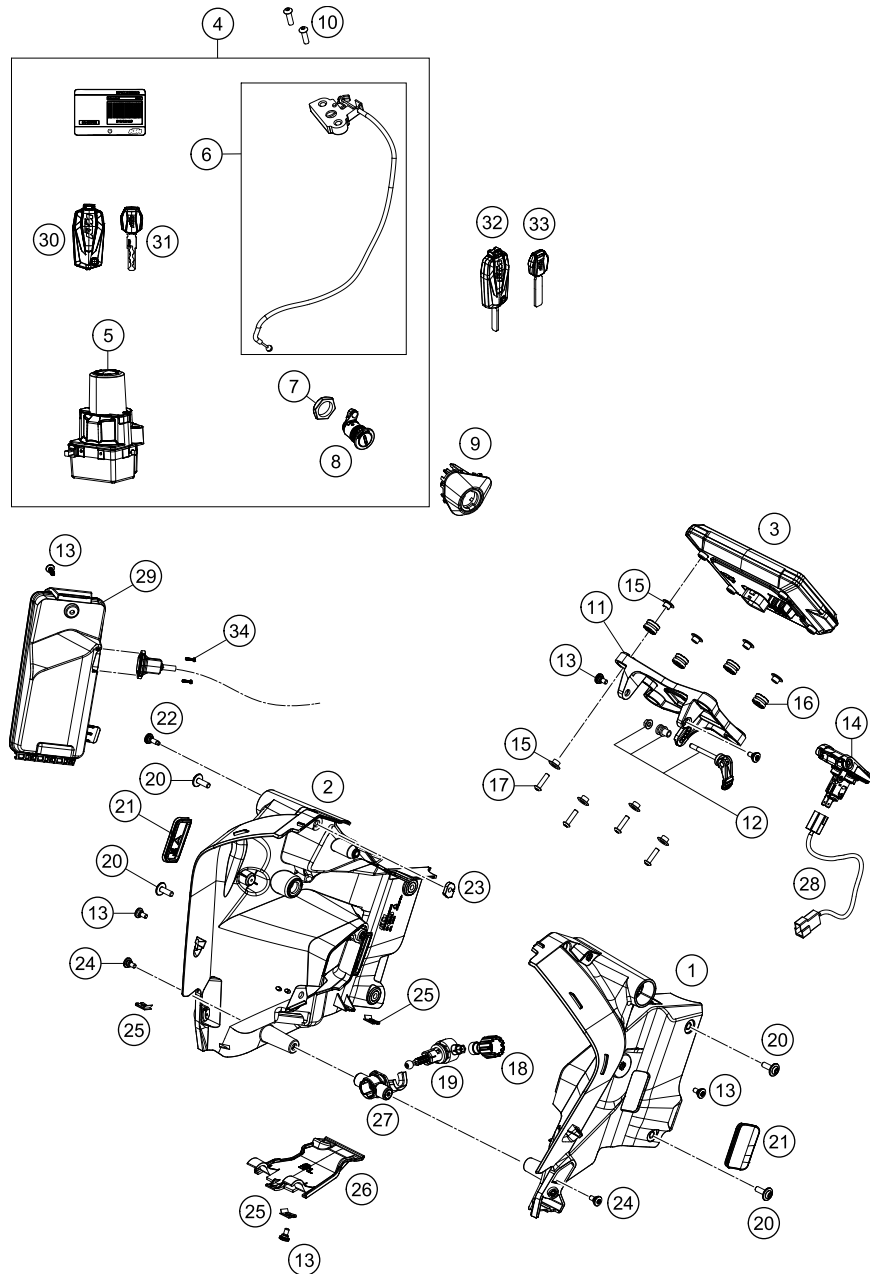
176071410

| POS | PARTNUMBER  | PARTNAME                       | PIECE |
|-----|-------------|--------------------------------|-------|
| 1   | 60714001000 | Headlight LED TFL              | 1     |
| 2   | 60714014200 | EJOT Altracs 5161 60x20        | 2     |
| 3   | 60714011060 | Plug-in element headlight      | 2     |
| 4   | 0081050121  | SCREW FOR PLASTIC K50X12 T20   | 6     |
| 5   | 60314040000 | REAR LIGHT                     | 1     |
| 6   | 60314047000 | NUMBER PLATE LIGHT             | 1     |
| 7   | 60308006000 | COLLAR BUSHING 6,2X9,2X15X12,5 | 2     |
| 8   | 60006001022 | RUB.SLEEVE FLOAT CHAMB.VENTING | 3     |
| 9   | 0024060256  | HH COLLAR SCREW M6X25 TX30     | 2     |
| 10  | 60314025000 | FLASHER L/S                    | 2     |
| 11  | 60314026000 | FLASHER R/S                    | 2     |
| 12  | 0433100003  | WASHER 18x10,5x1,6             | 4     |
| 13  | 0797100003  | LOCK WASHER DIN6797-J10,5 ZI   | 4     |
| 14  | 58414030000 | HH COLLAR NUT M10X1,25 WS=13   | 4     |
| 15  | 60714023000 | Thumbwheel headlight adjust.   | 1     |
| 16  | 60714024100 | Headlight support              | 1     |
| 17  | 60714020000 | Headlight adjuster             | 1     |
| 18  | 60714011050 | Bushing                        | 2     |
| 19  | 61614018100 | EJOT ALTRACS 50X12             | 2     |
| 21  | 61614020100 | Ballhead holder                | 1     |

18761

\* NEW PART

X ON DEMAND



176071430

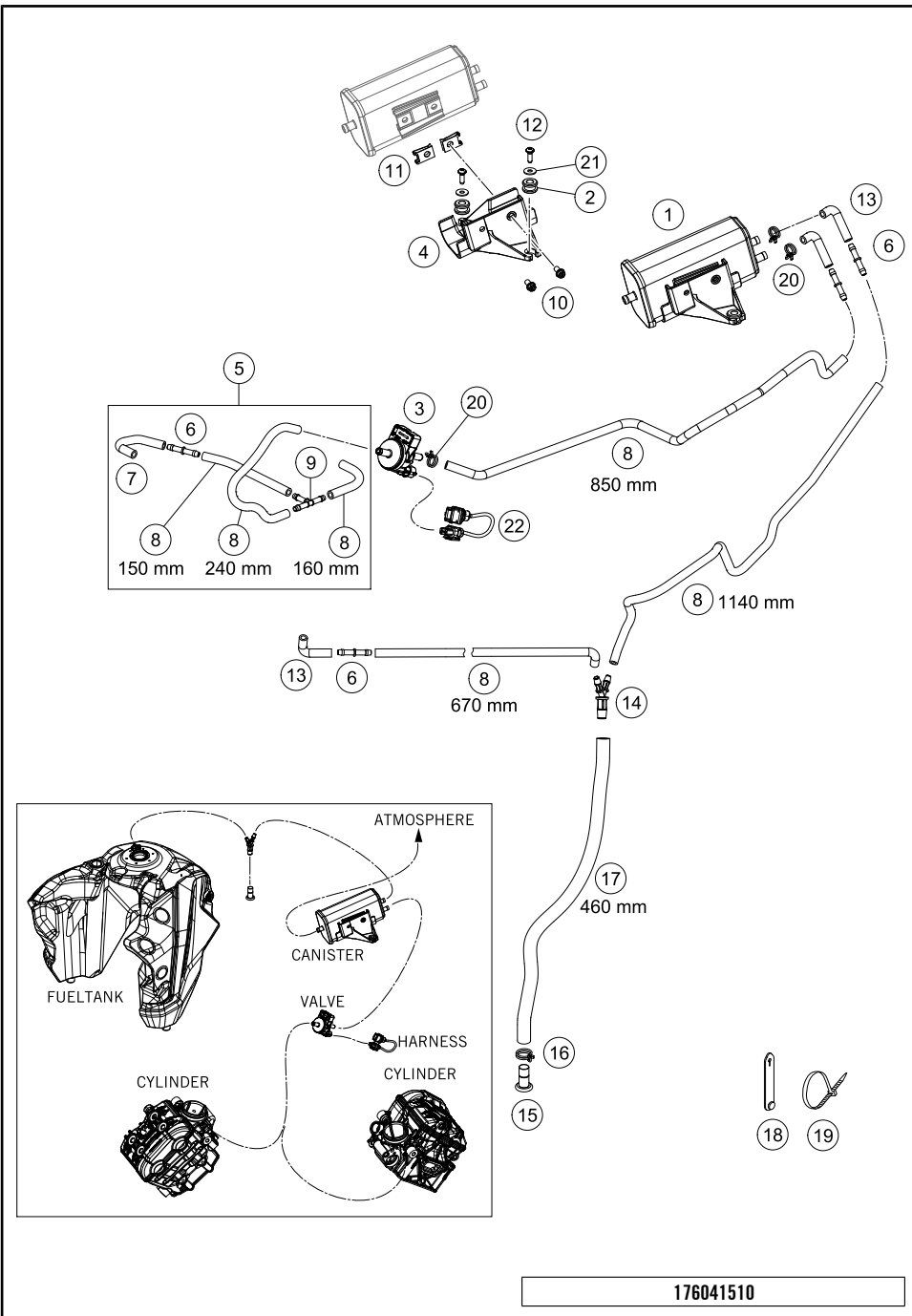
| POS | PARTNUMBER  | PARTNAME                            | PIECE |
|-----|-------------|-------------------------------------|-------|
| 1   | 60714010100 | MASK CARRIER LEFT                   | 1     |
| 2   | 60714011100 | MASK CARRIER LEFT                   | 1     |
| 3   | 60714069000 | TFT dashboard                       | 1     |
| 4   | 60711066044 | Lockset Keyless CPL. 868 MHz        | 1     |
| 5   | 60711066000 | ZÜNDSCHLOSS RRS                     | 1     |
| 6   | 60307050000 | SEAT LOCK CPL.                      | 1     |
| 7   | 69007050050 | NUT SEAT LOCK M22X1,5               | 1     |
| 8   | 60307050020 | LOCK CYLINDER SEAT LOCK             | 1     |
| 9   | 60307053000 | SEAT LOCK COVER                     | 1     |
| 10  | 0738060181  | COU.SUNK SCR. AH ISO7380 M6X18      | 2     |
| 11  | 60714062000 | Instrument support                  | 1     |
| 12  | 60714071044 | Excentric lever speedometer 607 ADV | 1     |
| 13  | 69008021160 | SPECIAL SCREW M5X12                 | 11    |
| 14  | 60714013033 | WIRING HARNESS 09                   | 1     |
| 15  | 60714069050 | Bushing                             | 8     |
| 16  | 61314069051 | DAMP. COMPONENT SPEEDOMETER         | 4     |
| 17  | 0738050202  | Lens head screw ISO 7380-M5X20A2    | 4     |
| 18  | 60714023000 | Thumbwheel headlight adjust.        | 1     |
| 19  | 60714020000 | Headlight adjuster                  | 1     |
| 20  | 69014017000 | SPECIAL SCREW M6X18 ISA30 08        | 4     |
| 21  | 60714010050 | Cover for headlight mask holder     | 2     |
| 22  | 69008021060 | SPECIAL SCREW M5X17                 | 1     |
| 23  | 60714010010 | Headlight support top               | 1     |
| 24  | 69007025050 | SPECIAL SCREW M5X12 ISA30 ALU       | 2     |
| 25  | 54603048400 | RANGE CHANGE MET. NUT M5 15460      | 3     |
| 26  | 60714011010 | Wire cover                          | 1     |
| 27  | 60714024100 | Headlight support                   | 1     |
| 28  | 60711042050 | Cable                               | 1     |
| 29  | 60714078033 | Storage compartment                 | 1     |
| 30  | 60711067000 | Race on key 868 MHz                 | 1     |
| 31  | 60411067000 | KTM ignition key                    | 1     |
| 32  | 60711067010 | Blank Race-on key 868 MHz           | 1     |
| 33  | 60411067010 | Blank KTM ignition key              | 1     |
| 34  | 0081025101  | EJOT PT SCHRAUBE K25X10 WN5452      | 2     |

18762

\* NEW PART

X ON DEMAND





| POS | PARTNUMBER  | PARTNAME                       | PIECE |
|-----|-------------|--------------------------------|-------|
| 1   | 75015001200 | CARBON CANISTER                | 1     |
| 2   | 60039030000 | VIBRATION DAMPER DIGITALBOX 03 | 2     |
| 3   | 76015015000 | VALVE EVAP                     | 1     |
| 4   | 60715002000 | Support                        | 1     |
| 5   | 60715020033 | Hose                           | 1     |
| 6   | 69015019010 | HOSE CONNECTION STRAIGHT       | 2     |
| 7   | 61415021000 | HOSE PURGE VALVE               | 1     |
| 8   | 78015019000 | HOSE EPA D=6/10 L=2000MM       | 1     |
| 9   | 60015022000 | T-CONNECTOR TS-6 03            | 1     |
| 10  | 0025060126  | HH COLLAR SCREW M6X12 TX30     | 2     |
| 11  | 54603048100 | RANGE CHANGE METAL NUT M6      | 2     |
| 12  | 0081050161  | EJOT PT SCREW K50X16 1451      | 2     |
| 13  | 61315022000 | PREFORMED HOSE 6X10 FPM        | 3     |
| 14  | 61315028100 | Y-CONNECTOR YS 6-10-6          | 1     |
| 15  | 61315026000 | PLUG D=10                      | 1     |
| 16  | 58431082100 | YDNAC-CLAMP 10173 (16MM) '98   | 1     |
| 17  | 78015119000 | HOSE EPA D=10/16 L=2000MM      | 1     |
| 18  | 60011093075 | RUBBER CABLE TIE 75MM 03       | 1     |
| 19  | 44011076140 | CABLE TIE 140/2,5MM BLACK      | x     |
| 20  | 59007017000 | CLAMP YDNAC 10096F (9,6MM)     | 3     |
| 21  | 0021050003  | WASHER DIN9021-A 5,3           | 2     |
| 22  | 60411078050 | Wiring harness                 | 1     |

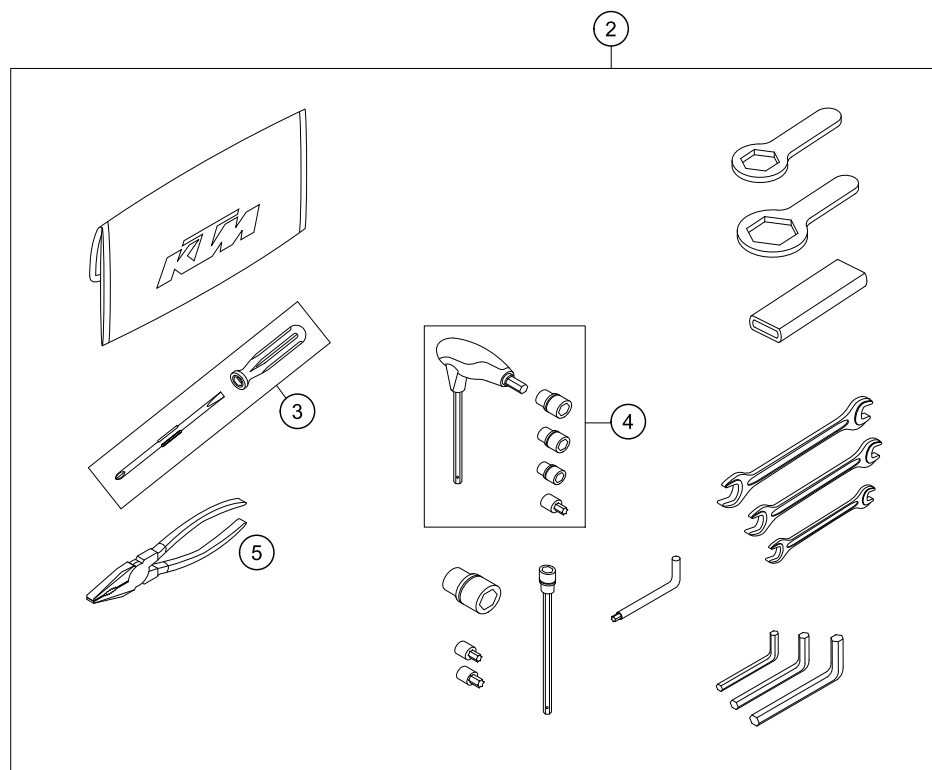
176041510

18657

\* NEW PART X ON DEMAND

0  
OHNE ABBILDUNG  
WITHOUT ILLUSTRATION

1  
TECHNISCHE DOKUMENTATION  
TECHNICAL DOCUMENTATION  
DOCUMENTACION TECNICA  
DOCUMENTATION TECHNIQUE  
NOTE TECNICHE



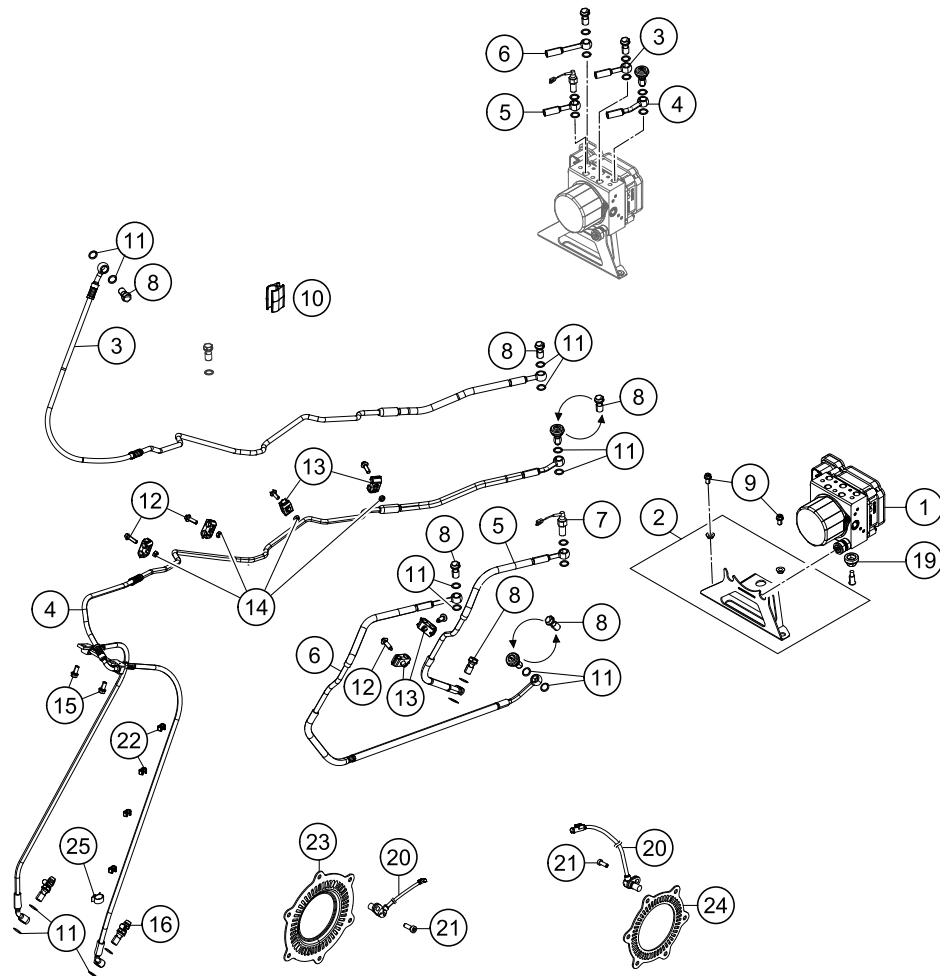
136032000

| POS | PARTNUMBER    | PARTNAME                              | PIECE |
|-----|---------------|---------------------------------------|-------|
| 0   | 00063004105   | 950 ADV. CARTON F WIND PROT.          | 1     |
| 0   | 60708208000   | Windshield short EU                   | 1     |
| 0   | 00063099111   | BAG FOR INSTR. MANUAL 245X170         | 1     |
| 0   | 69008021160   | SPECIAL SCREW M5X12                   | 4     |
| 0   | 69014017000   | SPECIAL SCREW M6X18 ISA30 08          | 2     |
| 0   | 58412080200   | REFLECTOR RED "CEV"                   | 1     |
| 0   | 0024060156    | HH COLLAR SCREW M6X15 TX30            | 2     |
| 0   | 58412080050   | BRACKET FOR REFLECTOR                 | 1     |
| 0   | 0024060206    | HH COLLAR SCREW M6X20 TX30            | 2     |
| 0   | 40006006000   | WASHER 6MM                            | 2     |
| 0   | 60335040000   | RADIATOR PROTECTOR                    | 1     |
| 0   | 0966050163    | OVAL HEAD SCREW DIN0966-M 5X16        | 2     |
| 0   | 60312968344EB | Crash bars                            | 1     |
| 0   | 0125050003    | WASHER DIN0125-A 5,3                  | 2     |
| 0   | 60714089000   | Decal radio certification instrument  | 1     |
| 0   | 0985050003    | SELF LOCKING NUT DIN0985-M 5          | 2     |
| 0   | 312305        | DOCUMENTS BAG 2006                    | 1     |
| 0   | 3210040       | CUSTOMER WELCOME LETTER               | 1     |
| 0   | 312313        | KTM BALLPOINT PEN ORANGE              | 1     |
| 0   | 00063004202   | PRINT LABEL 60X51 MM                  | 1     |
| 0   | 60012081200   | LICENCE FITTING 06                    | 1     |
| 0   | 0021060003    | WASHER DIN9021-A 6,4                  | 2     |
| 0   | 0985060003    | SELF LOCK. NUT DIN0985-M 6            | 4     |
| 0   | 0125060003    | WASHER DIN0125-A 6,4                  | 4     |
| 0   | 45239060050   | COLLAR BUSHING 6,3X8X13X9,5           | 2     |
| 0   | 60312040100   | MIRROR                                | 2     |
| 0   | 6030319000030 | SKID PLATE ADV                        | 1     |
| 0   | 60003096000   | VIBRATION DAMPER 03                   | 2     |
| 0   | 0025060406    | HH COLLAR SCREW M6X40 TX30            | 2     |
| 0   | 3212683ENE    | PW STREET FOLDER 2016                 | 1     |
| 0   | 3212678DE/ENE | PP STREET FOLDER 2016                 | 1     |
| 0   | 00063004012   | HEADLIGHT MASK BOX                    | 1     |
| 1   | 3213541EN     | Bed.-Anl. 1290 Super Adventure R 2017 | 1     |
| 2   | 60329099000   | TOOL KIT                              | 1     |
| 3   | 53012024100   | SCREW DRIVER L=105MM                  | 1     |
| 4   | 60029070300   | T-WRENCH WS=6/8/10/TX45/SK4X1         | 1     |
| 5   | 53012028200   | GRIP ORANGE B&F                       | 1     |

18882

\* NEW PART

X ON DEMAND



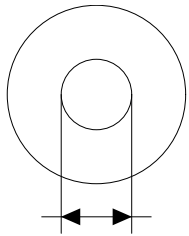
| POS | PARTNUMBER   | PARTNAME                       | PIECE |
|-----|--------------|--------------------------------|-------|
| 1   | 60742031044  | ABS Module filled              | 1     |
| 2   | 60342040044  | SUPPORT ABS-MODULE CPL.        | 1     |
| 3   | 60742003000  | Brake hose                     | 1     |
| 4   | 60342004000  | HOSE BRAKE CALIPER FRONT       | 1     |
| 5   | 60342001000  | BRAKE HOSE REAR BRAKE CONTROL  | 1     |
| 6   | 60342002000  | HOSE BRAKE CALIPER REAR        | 1     |
| 7   | 60311051000  | BRAKE LIGHT SWITCH REAR        | 1     |
| 8   | 62113020100  | HOLL. SCREW M10X1X19.5         | 6     |
| 9   | 0025060166   | HH COLLAR SCREW M6X16 TX30     | 2     |
| 10  | 54813026100  | CABLE SUPPORT 10/4MM 2014      | 1     |
| 11  | 0603100141   | COPPER GASKET DIN7603-10X14X1  | 18    |
| 12  | 0024050166   | HH COLLAR SCREW M5X16 TX30     | 6     |
| 13  | 60113146000  | SUPPORT FOR BRAKE HOSE M5      | 6     |
| 14  | 0985050003   | SELF LOCKING NUT DIN0985-M 5   | 6     |
| 15  | 0025060126   | HH COLLAR SCREW M6X12 TX30     | 2     |
| 16  | 62513020000  | BLEEDER SCREW CPL. 05          | 2     |
| 19  | 60342041000  | DAMP RUBBER                    | 1     |
| 20  | 76042125000  | ABS-SENSOR                     | 2     |
| 21  | 014580060166 | CYL. SCREW DIN14580 M 6X16     | 2     |
| 22  | 60111094100  | BAR SPACER 4/7 BLACK           | 4     |
| 23  | 60342020000  | SENSOR GEAR ABS                | 1     |
| 24  | 60142021100  | SENSOR GEAR ABS REAR           | 1     |
| 25  | 58111076000  | CABLE SUPPORT KHS NR.150-47610 | 2     |

176074210

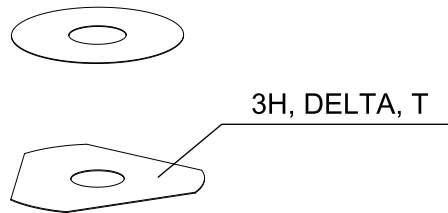
18878

\* NEW PART

X ON DEMAND



- ⑤ Ø 5 mm
- ⑥ Ø 6 mm
- ⑧ Ø 8 mm
- ⑩ Ø 10 mm
- ⑫ Ø 12 mm
- ⑭ Ø 14-14,5 mm
- ⑯ Ø 16 mm
- ⑰ Ø 20 mm
- ⑱ Ø 21 mm
- ⑳ Ø 22 mm
- ㉑ Ø 23 mm
- ㉒ Ø 24,5 mm
- ㉔ Ø 28,5 mm
- ㉖ Ø 32 mm
- ㉘ Ø 52 mm



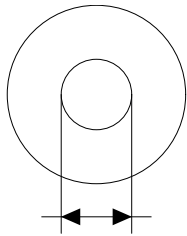
| POS | PARTNUMBER | PARTNAME            | PIECE |
|-----|------------|---------------------|-------|
| 5   | 44906890   | WASHER 5X15X2       | X     |
| 6   | 40540400   | SHIM 6X12X0,1       | X     |
| 6   | 40540401   | SHIM 6X14X0,1       | X     |
| 6   | 40540402   | SHIM 6X16X0,1       | X     |
| 6   | 40540403   | SHIM 6X18X0,1       | X     |
| 6   | 40540404   | SHIM 6X12X0,15      | X     |
| 6   | 40540405   | SHIM 6X14X0,15      | X     |
| 6   | 40540406   | SHIM 6X16X0,15      | X     |
| 6   | 40540407   | SHIM 6X18X0,15      | X     |
| 6   | 40540408   | SHIM 6X12X0,2       | X     |
| 6   | 40540409   | SHIM 6X14X0,2       | X     |
| 6   | 40540410   | SHIM 6X16X0,2       | X     |
| 6   | 40540411   | SHIM 6X18X0,2       | X     |
| 6   | 48600095   | SHIM 6X20X0,20      | X     |
| 6   | 40540412   | SHIM 6X12X0,25      | X     |
| 6   | 40540413   | SHIM 6X14X0,25      | X     |
| 6   | 40540414   | SHIM 6X16X0,25      | X     |
| 6   | 40540415   | SHIM 6X18X0,25      | X     |
| 6   | 40540417   | SHIM 6X8,5X0,10     | X     |
| 6   | 40540418   | SHIM 6X9X0,10       | X     |
| 6   | 40540419   | SHIM 6X9,5X0,10     | X     |
| 6   | 40540423   | SHIM 6X9,5X0,15     | X     |
| 6   | 40540425   | SHIM 6X8,5X0,20     | X     |
| 6   | 40540426   | SHIM 6X9X0,20       | X     |
| 6   | 40540427   | SHIM 6X9,5X0,20     | X     |
| 6   | 40540447   | SHIM 6X10X0,3       | X     |
| 6   | 40540449   | SHIM 6X9X0,3        | X     |
| 6   | 40540450   | SHIM 6X9,5X0,3      | X     |
| 6   | 40540494   | SHIM 6X18X0,4       | X     |
| 6   | 40540774   | SHIM 6X18X0,1 DELTA | X     |
| 6   | 40541383   | SHIM 6X11X0,1       | X     |
| 6   | 40541391   | SHIM 6X11X0,3       | X     |
| 6   | 40541402   | SHIM 6X11X0,2       | X     |
| 6   | 40541403   | SHIM 6X10X0,20      | X     |
| 6   | 40541404   | SHIM 6X10X0,1       | X     |
| 6   | 40541405   | SHIM 6X10X0,15      | X     |
| 6   | 40541406   | SHIM 6X11X0,15      | X     |
| 6   | 40541408   | SHIM 6X8,0X0,30     | X     |

080000190

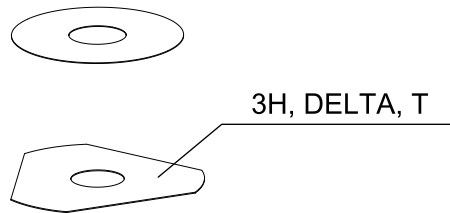
4668

\* NEW PART

X ON DEMAND



- ⑤ Ø 5 mm
- ⑥ Ø 6 mm
- ⑧ Ø 8 mm
- ⑩ Ø 10 mm
- ⑫ Ø 12 mm
- ⑭ Ø 14-14,5 mm
- ⑯ Ø 16 mm
- ⑳ Ø 20 mm
- ㉑ Ø 21 mm
- ㉒ Ø 22 mm
- ㉓ Ø 23 mm
- ㉔ Ø 24,5 mm
- ㉘ Ø 28,5 mm
- ㉚ Ø 32 mm
- ㉜ Ø 52 mm



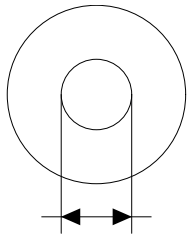
| POS | PARTNUMBER | PARTNAME             | PIECE |
|-----|------------|----------------------|-------|
| 6   | 40541414   | SHIM 6X8,0X0,10      | X     |
| 6   | 40541416   | SHIM 6X8X0,3         | X     |
| 6   | 40541417   | SHIM 6X11X0,25       | X     |
| 6   | 48600102   | SHIM 6X24X0,25       | X     |
| 6   | 48600063   | SHIM 6X24X0,1        | X     |
| 6   | 48600064   | SHIM 6X22X0,1        | X     |
| 6   | 48600065   | SHIM 6X20X0,1        | X     |
| 6   | 48600069   | SHIM 6X20X0,15       | X     |
| 6   | 48600100   | SHIM 6X24X0,15       | X     |
| 6   | 48600116   | SHIM 6X24X0,1 DELTA  | X     |
| 6   | 48600139   | SHIM 6X22X0,1 DELTA  | X     |
| 6   | 48600217   | BACKPLATE 6X10X0,25  | X     |
| 6   | 48600325   | SHIM 6X13X0,1        | X     |
| 6   | 48600327   | SHIM 6X15X0,1        | X     |
| 6   | 48600329   | SHIM 6X17X0,1        | X     |
| 6   | 48600331   | SHIM 6X19X0,1        | X     |
| 6   | 48600096   | SHIM 6X20X0,25       | X     |
| 6   | 48600097   | SHIM 6X22X0,15       | X     |
| 6   | 48600099   | SHIM 6X22X0,25       | X     |
| 6   | 40540448   | BACKPLATE 6X8,5X0,30 | X     |
| 6   | 48600479   | SHIM 6X20X0,1 T/3H   | X     |
| 6   | 48600332   | SHIM 6X21X0,1        | X     |
| 6   | 48600333   | SHIM 6X23X0,1        | X     |
| 6   | 40541393   | SHIM 6X12X0,3        | X     |
| 6   | 48600330   | SHIM 6X17X0,15       | X     |
| 6   | 48600988   | SHIM 6X28X0,10       | X     |
| 6   | 48600989   | SHIM 6X26X0,10       | X     |
| 6   | 48601091   | SHIM 6X28X0,15       | X     |
| 6   | 48601093   | SHIM 6X26X0,15       | X     |
| 6   | 48600328   | SHIM 6X15X0,15       | X     |
| 6   | 48600326   | SHIM 6X13X0,15       | X     |
| 6   | 48601548   | SHIM 6X17X1,5        | X     |
| 6   | 48601693   | SHIM 6X18X3          | X     |
| 6   | 48600098   | SHIM 6X22X0,20       | X     |
| 6   | 48601300   | WASHER 6X25X1,5      | X     |
| 6   | 48601692   | SHIM 6X30X0,15       | X     |
| 6   | 48601550   | SHIM 6X30X0,10       | X     |
| 6   | 40541392   | * SHIM 6X8X0,2       | X     |

080000190

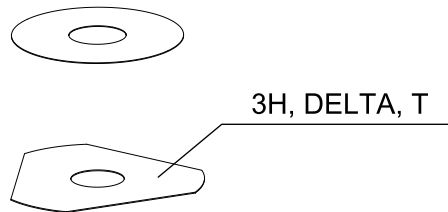
4668

\* NEW PART

X ON DEMAND



- ⑤ Ø 5 mm
- ⑥ Ø 6 mm
- ⑧ Ø 8 mm
- ⑩ Ø 10 mm
- ⑫ Ø 12 mm
- ⑭ Ø 14-14,5 mm
- ⑯ Ø 16 mm
- ⑳ Ø 20 mm
- ㉑ Ø 21 mm
- ㉒ Ø 22 mm
- ㉓ Ø 23 mm
- ㉔ Ø 24,5 mm
- ㉘ Ø 28,5 mm
- ㉚ Ø 32 mm
- ㉜ Ø 52 mm



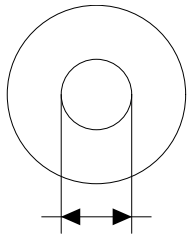
| POS | PARTNUMBER | PARTNAME               | PIECE |
|-----|------------|------------------------|-------|
| 8   | 40540477   | SHIM 8X18X0,4          | X     |
| 8   | 43570120   | SHIM 8X18X0,10         | X     |
| 8   | 44916098   | WASHER 8,4X16X0,8      | X     |
| 8   | 44916130   | WASHER 8,2X15X1        | X     |
| 8   | 44916180   | WASHER 8,2X11X1        | X     |
| 8   | 48600214   | SHIM 8X16X0,1          | X     |
| 8   | 48600385   | SHIM 8x14x0,25         | X     |
| 8   | 48600346   | SHIM 8X11X0,2          | X     |
| 8   | 48600215   | CHECK VALVE 8X20X0,1   | X     |
| 8   | 48600485   | SHIM 8X10X0,10         | X     |
| 8   | 48601402   | SHIM 8X13X0,10         | X     |
| 8   | 48600350   | CHECK VALVE 8X16X0,15  | X     |
| 8   | 48600061   | CHECK VALVE 8X24X0,4   | X     |
| 8   | 48600062   | CHECK VALVE 8X24X0,1   | X     |
| 8   | 48600216   | CHECK VALVE 8X22X0,1   | X     |
| 8   | 48600480   | SHIM 8X10X0,20         | X     |
| 8   | 48600555   | SHIM 8X16X0,20         | X     |
| 8   | 48600213   | SHIM 8X14X0,10         | X     |
| 8   | 48600357   | CHECK VALVE 8X11X0,1   | X     |
| 8   | 48600351   | CHECK VALVE 8X12X0,1   | X     |
| 8   | 48600607   | Steering damper washer | X     |
| 8   | 48601095   | SHIM 8X17X0,10         | X     |
| 8   | 48600352   | CHECK VALVE 8X11X0,4   | X     |
| 8   | 48601860   | Scheibe 8x11x0,15      | X     |
| 10  | 36120284   | SHIM 10X16X0,10        | X     |
| 10  | 36120298   | SHIM 10X16X0,2         | X     |
| 10  | 36120312   | SHIM 10X16X0,30        | X     |
| 10  | 36120314   | SHIM 10X18X0,30        | X     |
| 10  | 36120325   | SHIM 10X19X0,15        | X     |
| 10  | 36120327   | SHIM 10X23X0,15        | X     |
| 10  | 36120328   | SHIM 10X25X0,15        | X     |
| 10  | 36120329   | SHIM 10X27X0,15        | X     |
| 10  | 36120330   | SHIM 10X29X0,15        | X     |
| 10  | 36120331   | SHIM 10X31X0,15        | X     |
| 10  | 36120332   | SHIM 10X33X0,15        | X     |
| 10  | 36120334   | SHIM 10X21X0,20        | X     |
| 10  | 36120335   | SHIM 10X23X0,20        | X     |
| 10  | 36120336   | SHIM 10X25X0,20        | X     |

080000190

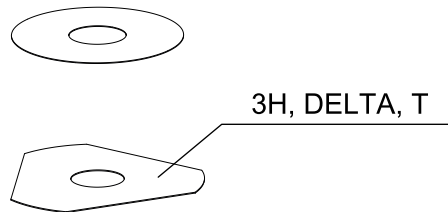
4668

\* NEW PART

X ON DEMAND



- ⑤ Ø 5 mm
- ⑥ Ø 6 mm
- ⑧ Ø 8 mm
- ⑩ Ø 10 mm
- ⑫ Ø 12 mm
- ⑭ Ø 14-14,5 mm
- ⑯ Ø 16 mm
- ⑳ Ø 20 mm
- ㉑ Ø 21 mm
- ㉒ Ø 22 mm
- ㉓ Ø 23 mm
- ㉔ Ø 24,5 mm
- ㉘ Ø 28,5 mm
- ㉚ Ø 32 mm
- ㉜ Ø 52 mm



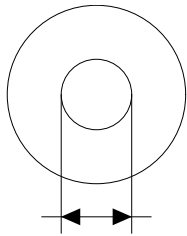
| POS | PARTNUMBER | PARTNAME          | PIECE |
|-----|------------|-------------------|-------|
| 10  | 36120337   | SHIM 10X27X0,20   | X     |
| 10  | 36120338   | SHIM 10X29X0,20   | X     |
| 10  | 36120339   | SHIM 10X31X0,20   | X     |
| 10  | 36120340   | SHIM 10X33X0,20   | X     |
| 10  | 36120342   | SHIM 10X21X0,25   | X     |
| 10  | 36120343   | SHIM 10X23X0,25   | X     |
| 10  | 36120344   | SHIM 10X25X0,25   | X     |
| 10  | 36120345   | SHIM 10X27X0,25   | X     |
| 10  | 36120349   | SHIM 10X19X0,30   | X     |
| 10  | 36120350   | SHIM 10X21X0,30   | X     |
| 10  | 36120313   | SHIM 10X17X0,30   | X     |
| 10  | 36120354   | SHIM 10X29X0,30   | X     |
| 10  | 40140275   | WASHER 10X35X0,15 | X     |
| 10  | 48601708   | SHIM 10X30X0,40   | X     |
| 10  | 36120346   | SHIM 10X29X0,25   | X     |
| 10  | 36120355   | SHIM 10X31X0,30   | X     |
| 10  | 36120348   | SHIM 10X33X0,25   | X     |
| 10  | 36120604   | SHIM D10XD22X2,5  | X     |
| 12  | 46810490   | SHIM 12X24X0,20   | X     |
| 12  | 46810491   | SHIM 12X26X0,20   | X     |
| 12  | 46810492   | SHIM 12X28X0,20   | X     |
| 12  | 46810493   | SHIM 12X30X0,20   | X     |
| 12  | 46810494   | SHIM 12X32X0,20   | X     |
| 12  | 46810495   | SHIM 12X34X0,20   | X     |
| 12  | 46810496   | SHIM 12X36X0,20   | X     |
| 12  | 46810497   | SHIM 12X38X0,20   | X     |
| 12  | 46810498   | SHIM 12X40X0,20   | X     |
| 12  | 46810499   | SHIM 12X24X0,25   | X     |
| 12  | 46810500   | SHIM 12X26X0,25   | X     |
| 12  | 46810501   | SHIM 12X28X0,25   | X     |
| 12  | 46810502   | SHIM 12X30X0,25   | X     |
| 12  | 46810504   | SHIM 12X34X0,25   | X     |
| 12  | 46810505   | SHIM 12X36X0,25   | X     |
| 12  | 46810507   | SHIM 12X40X0,25   | X     |
| 12  | 46810508   | SHIM 12X24X0,30   | X     |
| 12  | 46810509   | SHIM 12X26X0,30   | X     |
| 12  | 46810510   | SHIM 12X28X0,30   | X     |
| 12  | 46810512   | SHIM 12X32X0,30   | X     |

080000190

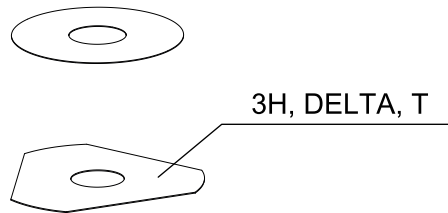
4668

\* NEW PART

X ON DEMAND



- ⑤ Ø 5 mm
- ⑥ Ø 6 mm
- ⑧ Ø 8 mm
- ⑩ Ø 10 mm
- ⑫ Ø 12 mm
- ⑭ Ø 14-14,5 mm
- ⑯ Ø 16 mm
- ⑳ Ø 20 mm
- ㉑ Ø 21 mm
- ㉒ Ø 22 mm
- ㉓ Ø 23 mm
- ㉔ Ø 24,5 mm
- ㉘ Ø 28,5 mm
- ㉚ Ø 32 mm
- ㉜ Ø 52 mm



| POS | PARTNUMBER | PARTNAME             | PIECE |
|-----|------------|----------------------|-------|
| 12  | 46810513   | SHIM 12X34X0,30      | X     |
| 12  | 46810518   | SHIM 12X26X0,15      | X     |
| 12  | 46810519   | SHIM 12X28X0,15      | X     |
| 12  | 46810520   | SHIM 12X30X0,15      | X     |
| 12  | 46810521   | SHIM 12X32X0,15      | X     |
| 12  | 46810522   | SHIM 12X34X0,15      | X     |
| 12  | 46810523   | SHIM 12X36X0,15      | X     |
| 12  | 46810524   | SHIM 12X38X0,15      | X     |
| 12  | 46810525   | SHIM 12X40X0,15      | X     |
| 12  | 46810604   | SHIM 12X20X0,10      | X     |
| 12  | 46810606   | SHIM 12X22X0,10      | X     |
| 12  | 46810607   | SHIM 12X23X0,10      | X     |
| 12  | 46810608   | SHIM 12X24X0,10      | X     |
| 12  | 46810610   | SHIM 12X27X0,15      | X     |
| 12  | 46810611   | SHIM 12X18X0,15      | X     |
| 12  | 46810612   | SHIM 12X19X0,15      | X     |
| 12  | 46810615   | SHIM 12X22X0,15      | X     |
| 12  | 46810636   | BACKPLATE 12X16X0,30 | X     |
| 12  | 46810637   | BACKPLATE 12X17X0,30 | X     |
| 12  | 46810638   | BACKPLATE 12X18X0,30 | X     |
| 12  | 46810639   | SHIM 12X19X0,30      | X     |
| 12  | 46810641   | BACKPLATE 12X21X0,30 | X     |
| 12  | 46811582   | BACKPLATE 12X30X0,10 | X     |
| 12  | 46810631   | SHIM 12X20X0,25      | X     |
| 12  | 46810633   | SHIM 12X22X0,25      | X     |
| 12  | 46811580   | SHIM 12X32X0,10      | X     |
| 12  | 46810503   | SHIM 12X32X0,25      | X     |
| 12  | 46810517   | SHIM 12X24X0,15      | X     |
| 12  | 46810856   | SHIM 12X20X0,3 CC    | X     |
| 12  | 46811258   | RING 12X24X2,5       | X     |
| 12  | 46812018   | SHIM 12X42X0,25      | X     |
| 12  | 46812015   | SHIM 12X44X0,20      | X     |
| 12  | 46810613   | SHIM 12X20X0,15      | X     |
| 12  | 46810623   | SHIM 12X21X0,20      | X     |
| 12  | 46810624   | SHIM 12X22X0,20      | X     |
| 12  | 46810642   | SHIM 12X22X0,30      | X     |
| 12  | 46810643   | SHIM 12X23X0,30      | X     |
| 12  | 46811629   | SHIM 12X28X0,10      | X     |

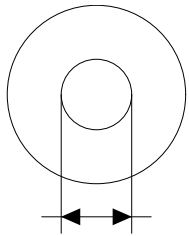
080000190

4668

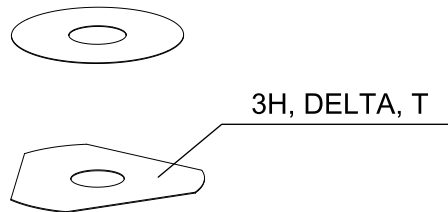
\* NEW PART

X ON DEMAND





- ⑤ Ø 5 mm
- ⑥ Ø 6 mm
- ⑧ Ø 8 mm
- ⑩ Ø 10 mm
- ⑫ Ø 12 mm
- ⑭ Ø 14-14,5 mm
- ⑯ Ø 16 mm
- ⑳ Ø 20 mm
- ㉑ Ø 21 mm
- ㉒ Ø 22 mm
- ㉓ Ø 23 mm
- ㉔ Ø 24,5 mm
- ㉘ Ø 28,5 mm
- ㉚ Ø 32 mm
- ㉜ Ø 52 mm



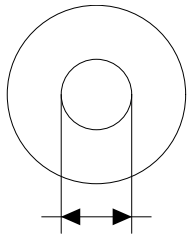
| POS | PARTNUMBER | PARTNAME                 | PIECE |
|-----|------------|--------------------------|-------|
| 12  | 46810511   | SHIM 12X30X0,30          | X     |
| 12  | 46810514   | SHIM 12X36X0,30          | X     |
| 12  | 46810506   | SHIM 12X38X0,25          | X     |
| 12  | 46810515   | SHIM 12X38X0,30          | X     |
| 12  | 46812017   | SHIM 12X42X0,20          | X     |
| 12  | 46812016   | SHIM 12X44X0,25          | X     |
| 12  | 46810622   | * SHIM 12X20X0,20        | X     |
| 12  | 46811635   | CURVED WASHER 12X26X0,10 | X     |
| 14  | 46811046   | SHIM 14,5X35,4X1,25      | X     |
| 16  | 50180023   | SHIM 16X23X0,20          | X     |
| 16  | 50180030   | SHIM                     | X     |
| 16  | 50180006   | BACKPLATE 16X20X0,10     | X     |
| 16  | 50180007   | SHIM 16X21X0,10          | X     |
| 16  | 50180028   | SHIM 16X21X0,25          | X     |
| 16  | 50180210   | WASHER 16X21X1           | X     |
| 16  | 50180008   | SHIM 16X22X0,10          | X     |
| 16  | 50180022   | SHIM 16X22X0,20          | X     |
| 16  | 50180037   | SHIM 16X23X0,30          | X     |
| 16  | 50180038   | SHIM 16X24X0,30          | X     |
| 16  | 50180032   | SHIM 15X25X0,25          | X     |
| 16  | 50180039   | SHIM 16X25X0,30          | X     |
| 16  | 50180012   | SHIM 16X26X0,10          | X     |
| 16  | 50180019   | SHIM 16X26X0,15          | X     |
| 16  | 50180026   | SHIM 16X26X0,20          | X     |
| 16  | 50180040   | SHIM 16X26X0,30          | X     |
| 16  | 50180041   | SHIM 16X28X0,10          | X     |
| 16  | 50180045   | SHIM 16X28X0,15          | X     |
| 16  | 50180054   | SHIM 16X28X0,20          | X     |
| 16  | 50180063   | SHIM 16X28X0,25          | X     |
| 16  | 50180072   | SHIM 16X28X0,30          | X     |
| 16  | 50180046   | SHIM 16X30X0,15          | X     |
| 16  | 50180055   | SHIM 16X30X0,20          | X     |
| 16  | 50180064   | SHIM 16X30X0,25          | X     |
| 16  | 50180073   | SHIM 16X30X0,30          | X     |
| 16  | 50180047   | SHIM 16X32X0,15          | X     |
| 16  | 50180056   | SHIM 16X32X0,20          | X     |
| 16  | 50180065   | SHIM 16X32X0,25          | X     |
| 16  | 50180074   | SHIM 16X32X0,30          | X     |

080000190

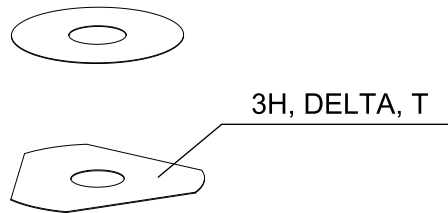
4668

\* NEW PART

X ON DEMAND



- ⑤ Ø 5 mm
- ⑥ Ø 6 mm
- ⑧ Ø 8 mm
- ⑩ Ø 10 mm
- ⑫ Ø 12 mm
- ⑭ Ø 14-14,5 mm
- ⑯ Ø 16 mm
- ⑳ Ø 20 mm
- ㉑ Ø 21 mm
- ㉒ Ø 22 mm
- ㉓ Ø 23 mm
- ㉔ Ø 24,5 mm
- ㉘ Ø 28,5 mm
- ㉚ Ø 32 mm
- ㉜ Ø 52 mm



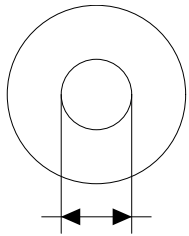
| POS | PARTNUMBER | PARTNAME                    | PIECE |
|-----|------------|-----------------------------|-------|
| 16  | 50180044   | SHIM 16X34X0,10             | X     |
| 16  | 50180048   | SHIM 16X34X0,15             | X     |
| 16  | 50180057   | SHIM 16X34X0,20             | X     |
| 16  | 50180066   | SHIM 16X34X0,25             | X     |
| 16  | 50180075   | SHIM 16X34X0,30             | X     |
| 16  | 50180049   | SHIM 16X36X0,15             | X     |
| 16  | 50180058   | SHIM 16X36X0,20             | X     |
| 16  | 50180067   | SHIM 16X36X0,25             | X     |
| 16  | 50180076   | SHIM 16X36X0,30             | X     |
| 16  | 50180050   | SHIM 16X38X0,15             | X     |
| 16  | 50180059   | SHIM 16X38X0,20             | X     |
| 16  | 50180068   | SHIM 16X38X0,25             | X     |
| 16  | 50180077   | SHIM 16X38X0,30             | X     |
| 16  | 50180051   | SHIM 16X40X0,15             | X     |
| 16  | 50180060   | SHIM 16X40X0,20             | X     |
| 16  | 50180069   | SHIM 16X40X0,25             | X     |
| 16  | 50180078   | SHIM 16X40X0,30             | X     |
| 16  | 50180052   | SHIM 16X42X0,15             | X     |
| 16  | 50180061   | SHIM 16X42X0,20             | X     |
| 16  | 50180070   | SHIM 16X42X0,25             | X     |
| 16  | 50180079   | SHIM 16X42X0,30             | X     |
| 16  | 50180053   | SHIM 16X44X0,15             | X     |
| 16  | 50180062   | SHIM 16X44X0,20             | X     |
| 16  | 50180071   | SHIM 16X44X0,25             | X     |
| 16  | 50180080   | SHIM 16X44X0,30             | X     |
| 16  | 50180177   | WASHER 16X8,2X0,6           | X     |
| 16  | 50180033   | SHIM 16X26X0,25             | X     |
| 16  | 50180034   | BACKPLATE 16X20X0,30        | X     |
| 16  | 50180035   | BACKPLATE 16X21X0,30        | X     |
| 16  | 50180036   | BACKPLATE 16X22X0,30        | X     |
| 16  | 50180043   | SHIM                        | X     |
| 16  | 50180024   | SHIM 16X24X0,20             | X     |
| 16  | 50180027   | SHIM 16X20X0,25             | X     |
| 16  | 50180031   | SHIM                        | X     |
| 16  | 50180029   | SHIM                        | X     |
| 16  | 50180010   | SHIM 16X24X0,10             | X     |
| 20  | 48600212   | PRESSURE-RING 20X16,25X0,20 | X     |
| 20  | 50180666   | SHIM 20X24X0,30             | X     |

080000190

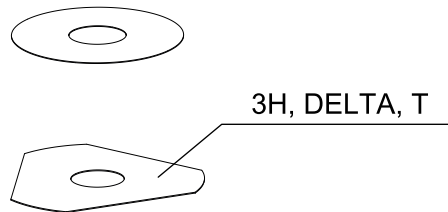
4668

\* NEW PART

X ON DEMAND



- ⑤ Ø 5 mm
- ⑥ Ø 6 mm
- ⑧ Ø 8 mm
- ⑩ Ø 10 mm
- ⑫ Ø 12 mm
- ⑭ Ø 14-14,5 mm
- ⑯ Ø 16 mm
- ⑳ Ø 20 mm
- ㉑ Ø 21 mm
- ㉒ Ø 22 mm
- ㉓ Ø 23 mm
- ㉔ Ø 24,5 mm
- ㉘ Ø 28,5 mm
- ㉚ Ø 32 mm
- ㉜ Ø 52 mm



| POS | PARTNUMBER | PARTNAME                 | PIECE |
|-----|------------|--------------------------|-------|
| 20  | 50180654   | SHIM 20X36X0,20          | X     |
| 20  | 50180655   | SHIM 20X38X0,20          | X     |
| 20  | 50180656   | SHIM 20X40X0,20          | X     |
| 20  | 50180665   | SHIM 20X40X0,25          | X     |
| 20  | 50180662   | SHIM 20X34X0,25          | X     |
| 20  | 50180657   | SHIM 20X24X0,25          | X     |
| 20  | 50180653   | SHIM 20X34X0,20          | X     |
| 20  | 50180634   | RING 20X22,9X1           | X     |
| 20  | 50180650   | SHIM 20,2X28X0,20        | X     |
| 20  | 50180663   | SHIM 20X36X0,25          | X     |
| 20  | 50180664   | SHIM 20X38X0,25          | X     |
| 20  | 50180659   | SHIM 20,2X28X0,25        | X     |
| 21  | 50180209   | WASHER 21X36X0,25        | X     |
| 22  | 50180330   | PRESS. RING 22X18X0,30   | X     |
| 23  | 50180635   | SHUTTLE VALVE 23X38X0,25 | X     |
| 23  | 50180578   | SHIM D23XD16X2           | X     |
| 24  | 40541061   | WASHER 24,5X34X2         | X     |
| 28  | 36120469   | SHIM 28,5X14X2           | X     |
| 28  | 36120471   | SHIM 28,5X14X5           | X     |
| 32  | 48600460   | WASHER 32X42X2,5         | X     |
| 32  | 50600065   | SHIM 32X45X2             | X     |
| 32  | 46811637   | PRESSURE RING 36X32,25   | X     |
| 52  | 50600002   | SHIM 52X59X2,2           | X     |

080000190

4668

\* NEW PART

X ON DEMAND

A large, empty rectangular box with a thin black border, occupying the majority of the page. It is intended for students to write their notes during the lecture.

A large, empty rectangular box with a thin black border, occupying the majority of the page. It is intended for students to write their notes during the lecture.

A large, empty rectangular box with a thin black border, occupying the majority of the page. It is intended for students to write their notes during the lecture.



WWW.KTM.COM



KTM Sportmotorcycle GmbH  
5230 Mattighofen, Austria  
www.ktm.com



**KTM**\_POWERPARTS

**KTM**\_POWERWEAR

**KTM**\_ORIGINAL SPARE PARTS



F9903Q6EN

Art. Nr.: F9903Q6EN 1.0. Mär 2017