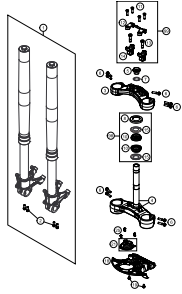
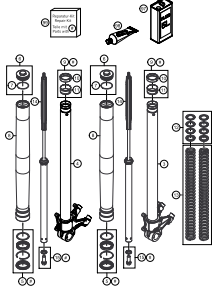
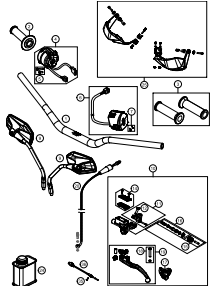
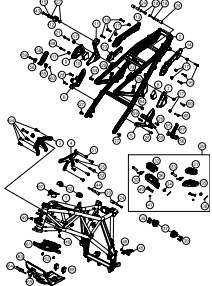
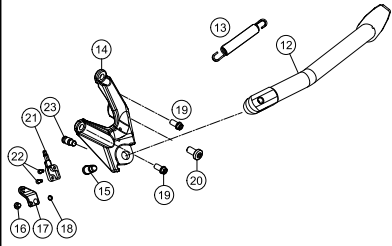
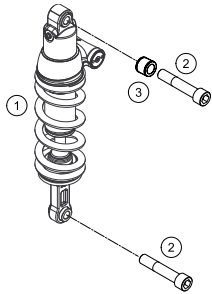
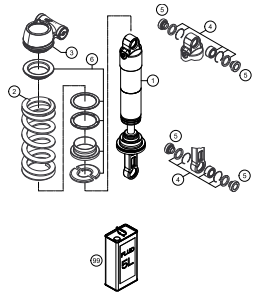
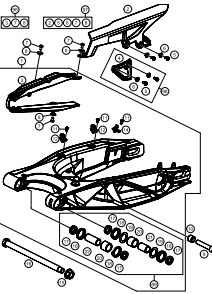
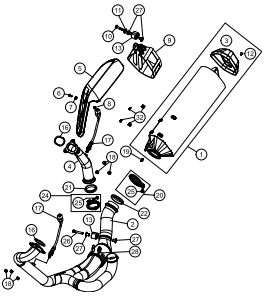
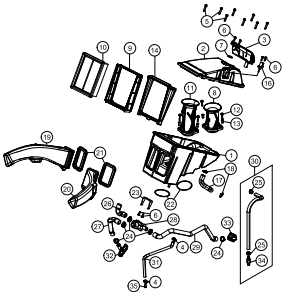
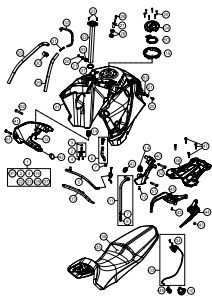
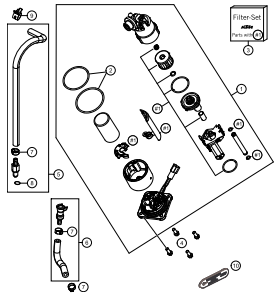
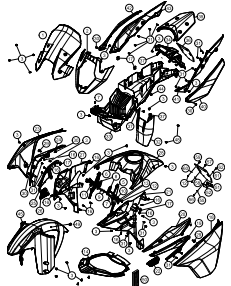
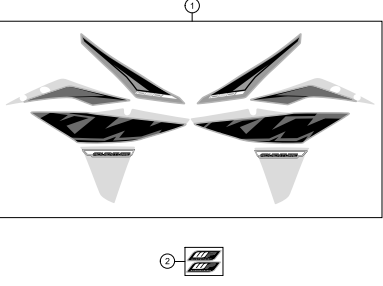
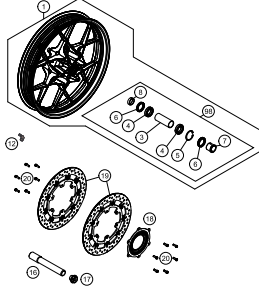
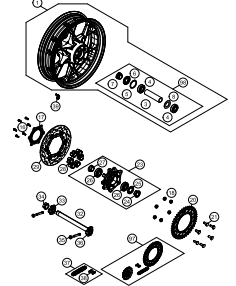
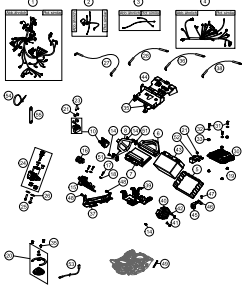
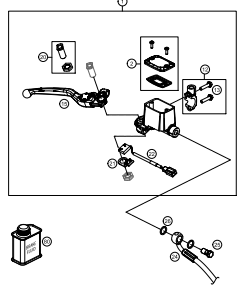
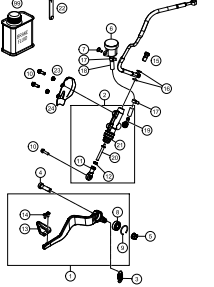
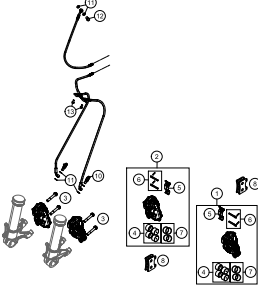
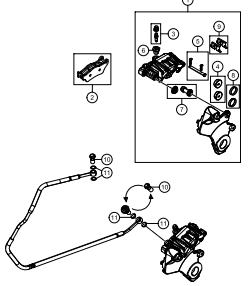
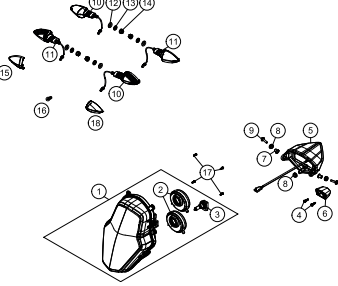
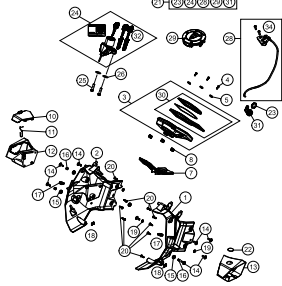
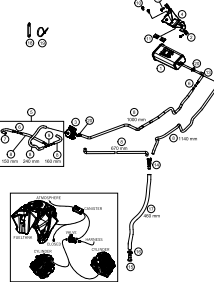


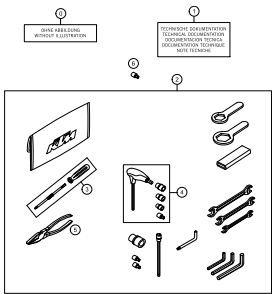
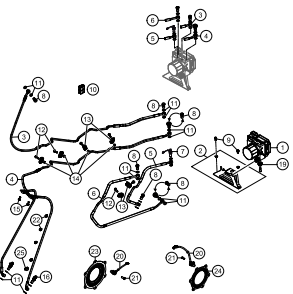
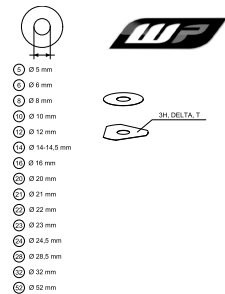

1090 ADVENTURE 2017

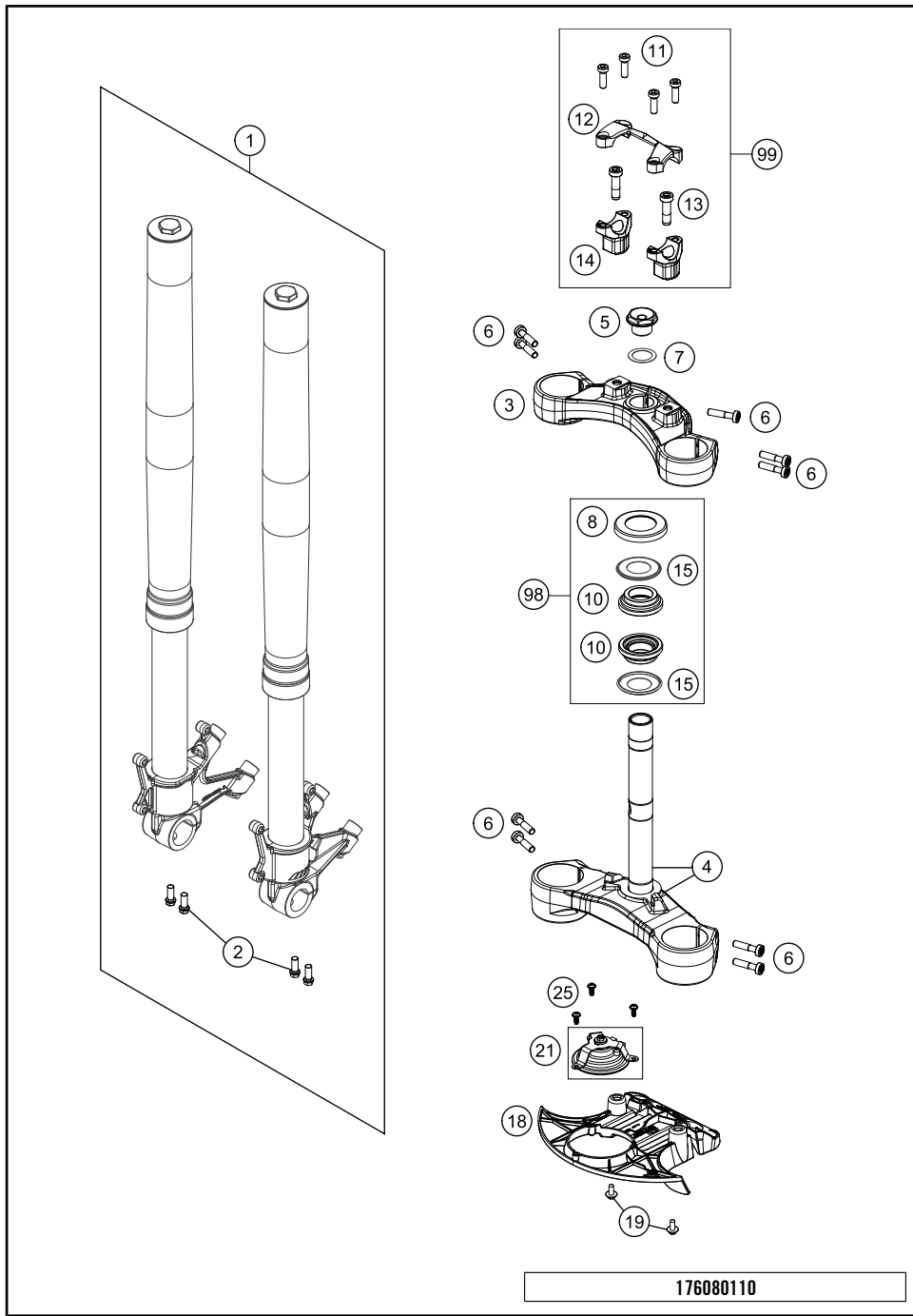
ART.-NR.: F9903QCEN



| | | | |
|--|---|--|--|
| <p>FRONT FORK, TRIPLE CLAMP</p>  <p>4</p> | <p>FRONT FORK DISASSEMBLED</p>  <p>5</p> | <p>HANDLEBAR, CONTROLS</p>  <p>6</p> | <p>FRAME</p>  <p>7</p> |
| <p>SIDE / CENTER STAND</p>  <p>9</p> | <p>SHOCK ABSORBER</p>  <p>10</p> | <p>SHOCK ABSORBER DISASSEMBLED</p>  <p>11</p> | <p>SWING ARM</p>  <p>12</p> |
| <p>EXHAUST SYSTEM</p>  <p>13</p> | <p>AIR FILTER</p>  <p>14</p> | <p>TANK, SEAT, COVER</p>  <p>15</p> | <p>FUEL PUMP</p>  <p>17</p> |

| | | | |
|---|--|--|---|
| <p>MASK, FENDERS</p>  <p>18</p> | <p>DECAL</p>  <p>20</p> | <p>FRONT WHEEL</p>  <p>21</p> | <p>REAR WHEEL</p>  <p>22</p> |
| <p>WIRING HARNESS</p>  <p>23</p> | <p>HAND BRAKE CYLINDER</p>  <p>25</p> | <p>REAR BRAKE CONTROL</p>  <p>26</p> | <p>BRAKE CALIPER FRONT</p>  <p>27</p> |
| <p>BRAKE CALIPER REAR</p>  <p>28</p> | <p>LIGHTING SYSTEM</p>  <p>29</p> | <p>INSTRUMENTS / LOCK SYSTEM</p>  <p>30</p> | <p>EVAPORATIVE CANISTER</p>  <p>31</p> |

| | | | |
|---|---|---|--|
| <p>SEPERATE ENCLOSURE</p>  <p>32</p> | <p>ANTIBLOCK SYSTEM ABS</p>  <p>33</p> | <p>WP SHIMS FOR SETTING</p>  <p>34</p> | |
| | | | |
| |  <p>All information contained is without obligation. KTM Sportmotorcycle GmbH particularly reserves the right to modify any equipment, technical specifications, prices, colors, shapes, materials, services, service work, constructions, equipment and the like so as to adapt them to local conditions or to cancel any of the above items, all without previous announcement and without giving reasons. KTM may stop manufacturing certain models without previous notice. KTM shall not be held liable for any deviations of availability and/or ability to deliver, illustrations, descriptions, printing and/or other errors. The illustrated models partly contain extra equipment, which is not applied to standard models.</p> <p>© by KTM Sportmotorcycle GmbH, Mattighofen AUSTRIA; All rights reserved; Reprint, also in extracts, with written allowance of KTM Sportmotorcycle GmbH, Mattighofen only.</p> | | |

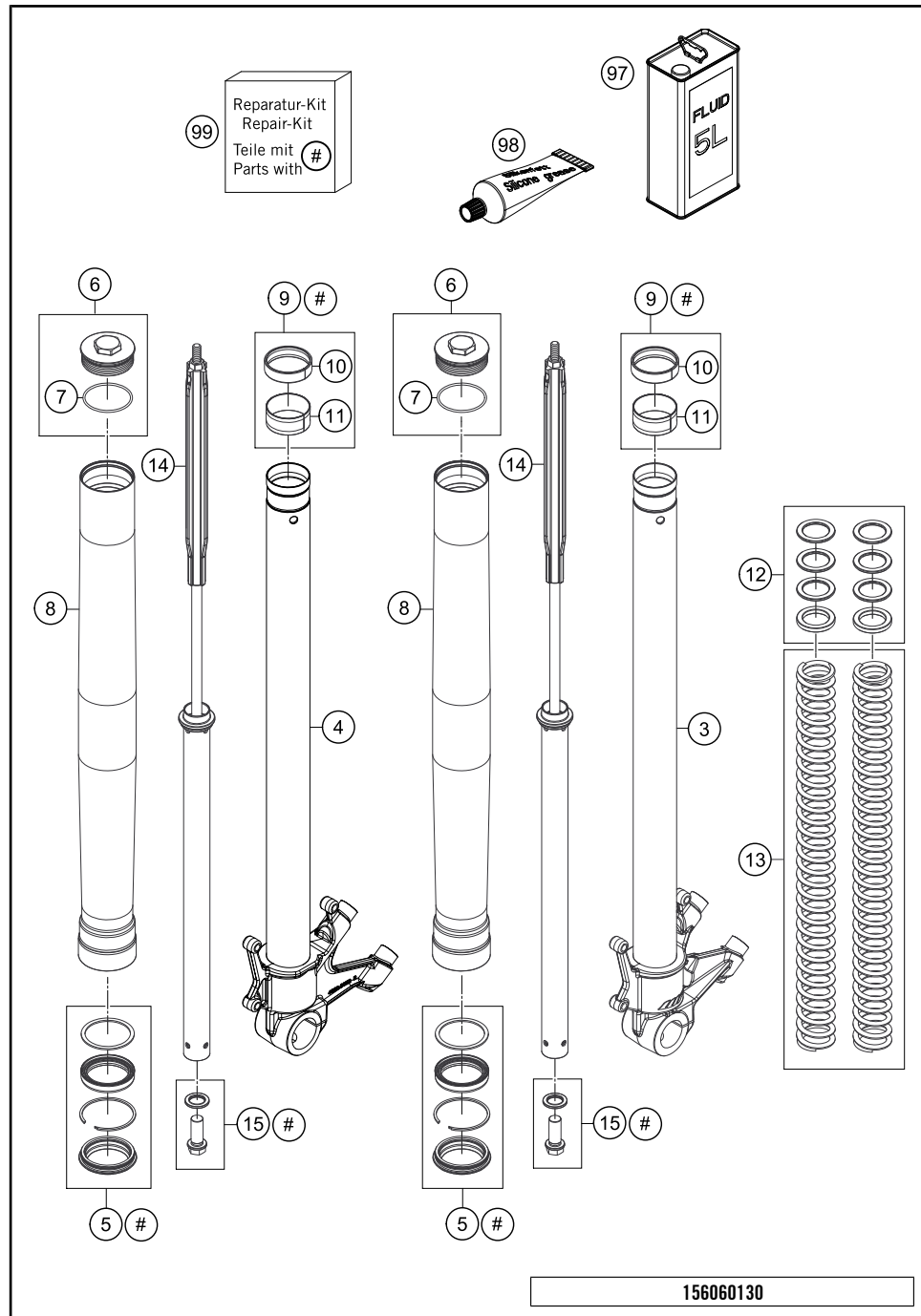


| POS | PARTNUMBER | PARTNAME | PIECE |
|-----|----------------|--------------------------------|-------|
| 1 | 0518600801 | FRONT FORK | 1 |
| 2 | 0025080206S | HH COLLAR SCREW M8X20 ISA40 | 4 |
| 3 | 6070113403233S | Triple clamp | 1 |
| 4 | 6080113203233S | Triple clamp | 1 |
| 5 | 6900103600001 | STEERING HEAD SCREW 09 | 1 |
| 6 | 0035080356 | AH-COLLAR SCREW M8X35 ISA45 | 9 |
| 7 | 0988253505 | thrust wash DIN0988-25x35x0,5 | 1 |
| 8 | 69001086100 | PROT. RING STEER. HEAD BEARING | 1 |
| 10 | 69001181000 | STEERINGHEAD KPL.17 | 2 |
| 11 | 0025080256 | HH COLLAR SCREW M8X25 TX40 | 4 |
| 12 | 7720103800030 | HANDLEBAR CLAMP 28MM | 2 |
| 13 | 0032100356S | AH-COLLAR SCREW M10X35 ISA45 | 2 |
| 14 | 5940103903730 | HANDLEB.SUPP. D=28MM H=37MM | 2 |
| 15 | 69001084000 | O-RING SUPPORT W. SEALING LIP | 2 |
| 18 | 60308024200 | TRIPLECLAMP-FACEPLATE BELOW | 1 |
| 19 | 0024060136 | HH COLLAR SCREW M6X13 TX30 | 2 |
| 21 | 60311060100 | HORN | 1 |
| 25 | 0081050121 | SCREW FOR PLASTIC K50X12 T20 | 3 |
| 98 | 69001181010 | Steering head rep. Kit | x |
| 99 | 00050000927 | HANDLEBAR SUPPORT KIT ADV.1190 | x |

176080110

18109

* NEW PART X ON DEMAND

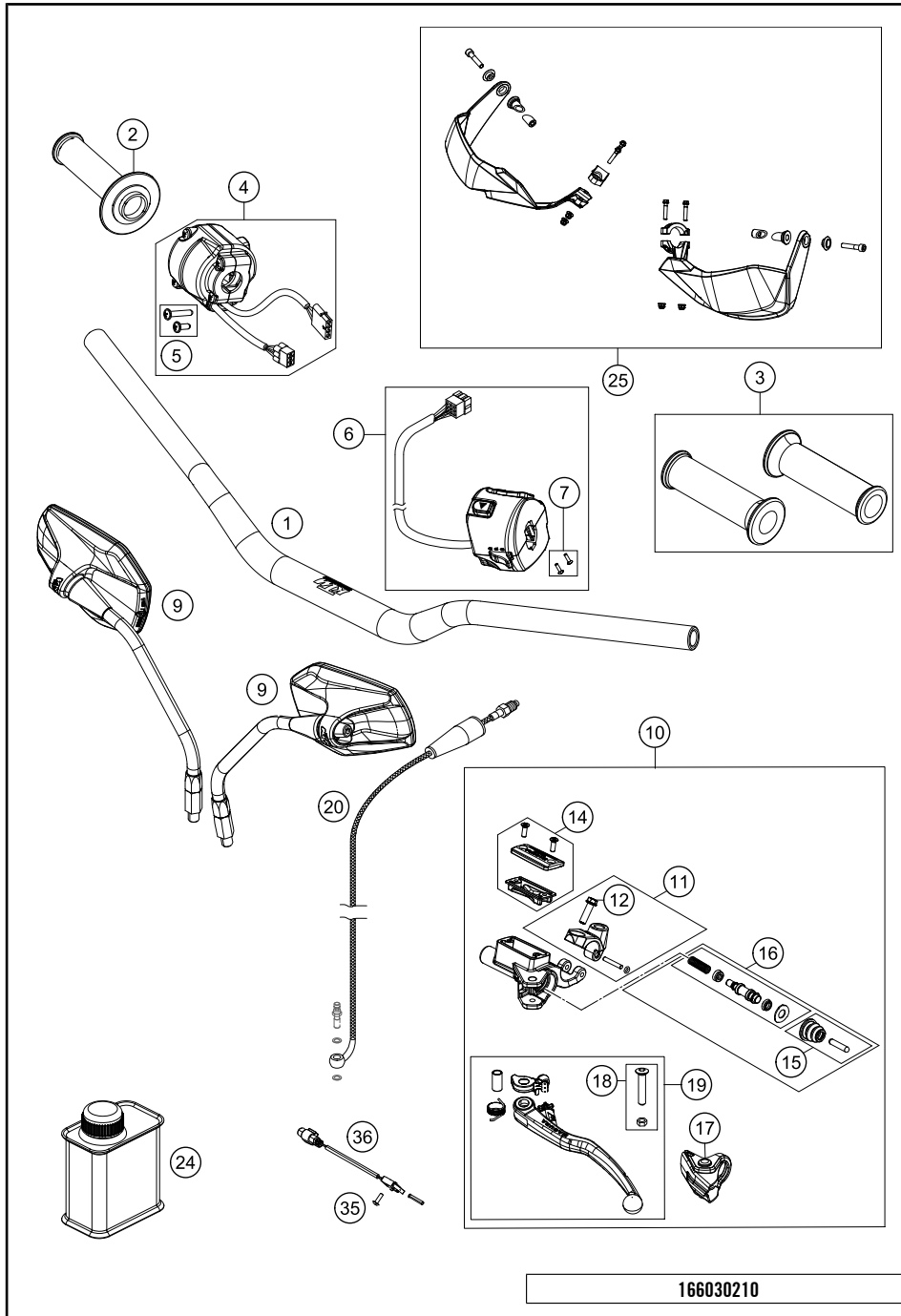


| POS | PARTNUMBER | PARTNAME | PIECE |
|-----|------------|------------------------------|-------|
| 3 | 43570750S1 | AXLE-CL. + INNER TUBE L/S | 1 |
| 4 | 43570751S1 | AXLE-CL. + INNER TUBE R/S | 1 |
| 5 | R14049 | GASKET SET CPL. | 1 |
| 6 | 57430001S | SCREW CAP M51 X 1.5 CPL. | 2 |
| 7 | 46810340 | O-RING NBR 45X2 | 2 |
| 8 | 43570715 | OUTER TUBE 54/57 L=580 BLACK | 2 |
| 9 | R14042 | GUIDE BUSHING SET | 2 |
| 10 | 43570618 | GUIDE BUSHING 43X47X12 | 2 |
| 11 | 43570617 | GUIDE BUSHING 42X44X20 R11 | 2 |
| 12 | R514 | SPRING SPACER KIT | 1 |
| 13 | 95010077S | SPRING KIT | 1 |
| 14 | 57430006S | CARDRIDGE CPL. | 2 |
| 15 | 00501020S1 | AH SCREW M10X20 SET | 2 |
| 97 | 48601166S1 | FORK OIL SAE4 5L | 1 |
| 98 | T511 | SILICONE GREASE F. DUST STRI | 1 |
| 99 | R14050 | REP. KIT 1050 ADV. | 1 |

156060130

16078

* NEW PART X ON DEMAND



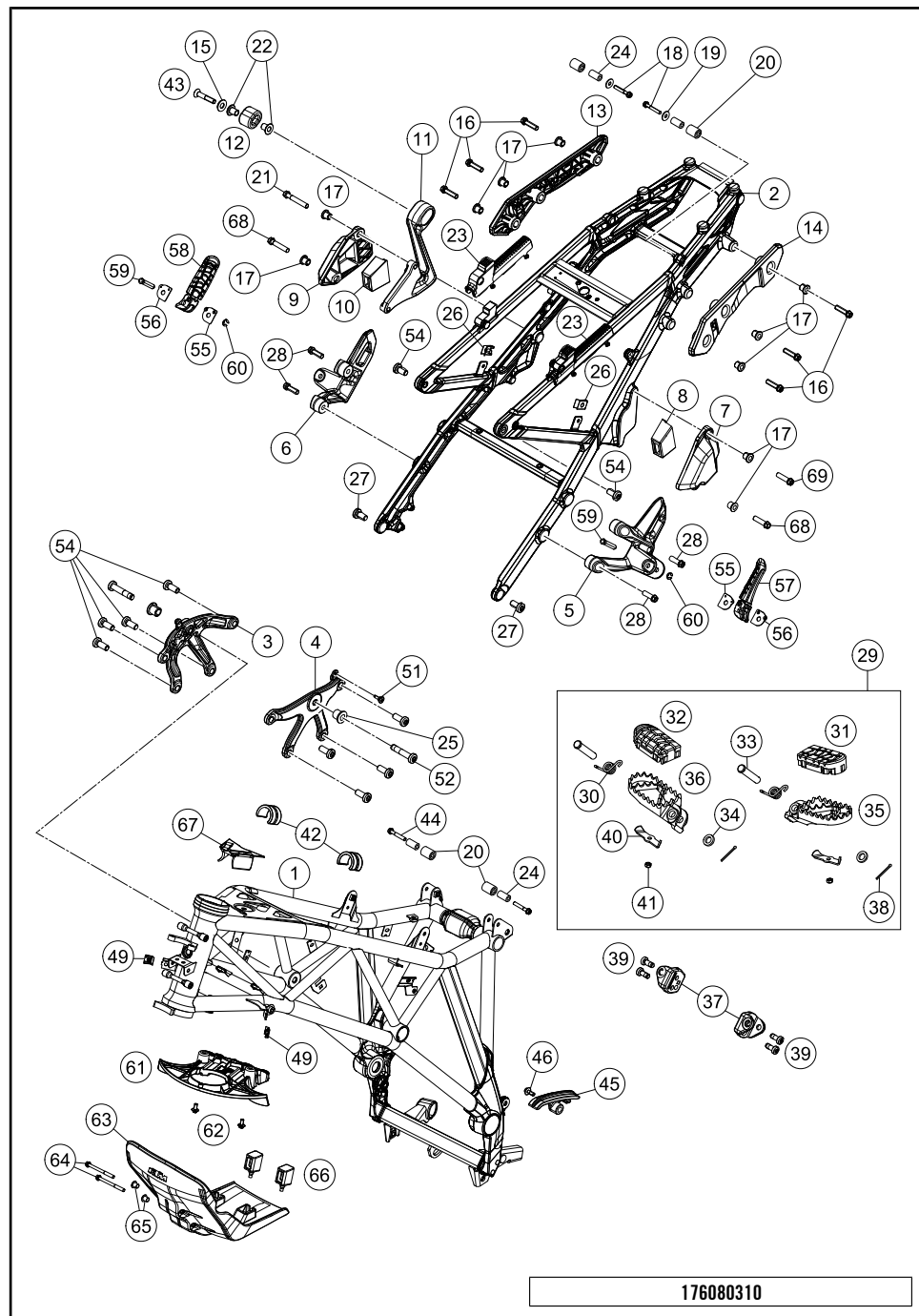
| POS | PARTNUMBER | PARTNAME | PIECE |
|-----|----------------|--------------------------------|-------|
| 1 | 6030210100001S | HANDLEBAR | 1 |
| 2 | 76002010000 | THROTTLE GRIP | 1 |
| 3 | 76002021000 | GRIP SET OPEN END | 1 |
| 4 | 76011073100 | START-STOP/E-GAS | 1 |
| 5 | 76011073110 | SCREW SET START-STOP SWITCH | 1 |
| 6 | 60311070100 | HANDLEBAR SWITCH | 1 |
| 7 | 60311070110 | SCREW SET HANDLEBAR SWITCH | 1 |
| 9 | 60312040100 | MIRROR | 2 |
| 10 | 60302030144 | MASTER CYLINDER DOT CPL. 12MM | 1 |
| 11 | 76513005000 | CLAMP, CYL. PIN, O-RING | 1 |
| 12 | 0025060166 | HH COLLAR SCREW M6X16 TX30 | 1 |
| 14 | 25002033000 | COVER HYDR. CLUTCH DOT CPL. | 1 |
| 15 | 76502046000 | PUSH ROD CPL. 13 | 1 |
| 16 | 60302032100 | REPAIR KIT PISTONS DOT | 1 |
| 17 | 76502037000 | PROTECT.CAP FOR LEVER PERCH 13 | 1 |
| 18 | 50302038200 | LEVER SCREW SHORT CPL. 09 | 1 |
| 19 | 60302031000 | CLUTCH LEVER LONG CPL. 2013 | 1 |
| 20 | 60032063100 | CLUTCH PIPE LC8 ADV '03 | 1 |
| 24 | 50302036200 | OIL FOR HYD. CLUTCH 100 ML | 1 |
| 25 | 6030217910030 | HANDGUARD CLOSED BLACK HIGH | 1 |
| 35 | 0985030103 | FLAT HEAD SCREW DIN7985 M3x1 | 1 |
| 36 | 83111049000 | CLUTCH SWITCH ATV | 1 |

166030210

17227

* NEW PART

X ON DEMAND



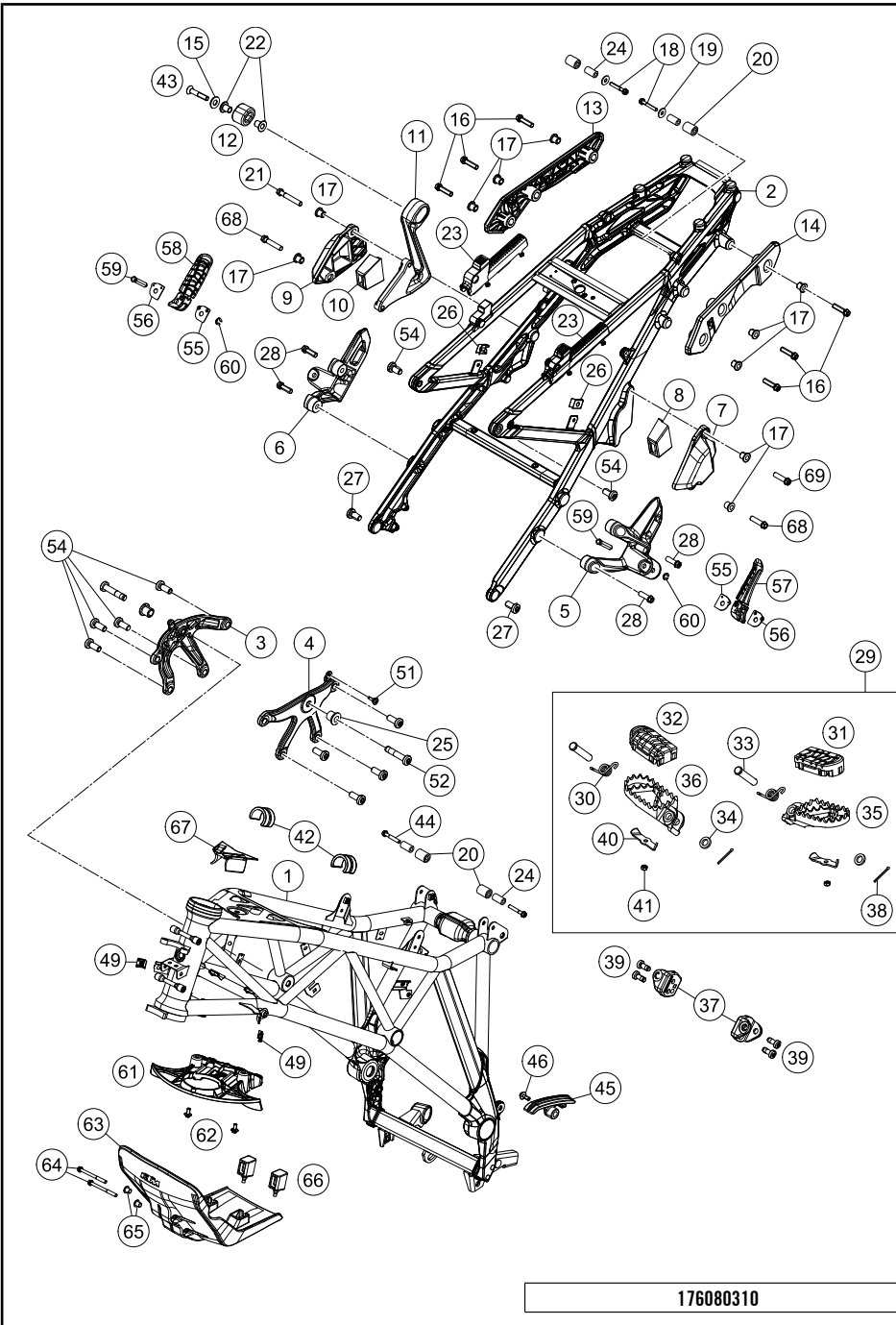
176080310

| POS | PARTNUMBER | PARTNAME | PIECE |
|-----|----------------|------------------------------|-------|
| 1 | 6080300100033 | RAHMEN "608 RA" SCHWARZ MATT | 1 |
| 2 | 6030300200033 | SUB FRAME | 1 |
| 3 | 6030300600033S | ENGINE SUPPORT R/S BLACK | 1 |
| 4 | 6030300500033S | ENGINE SUPPORTL/S BLACK | 1 |
| 5 | 6030304800033S | FOOTR. SUP. REAR L/S BLACK | 1 |
| 6 | 6030304900033S | FOOTR. SUP. REAR R/S BLACK | 1 |
| 7 | 60312010050 | SUITCASE HOOK L/S | 1 |
| 8 | 60312010060 | DAMPING RUBBER SUITCASE HOOK | 1 |
| 9 | 60312011050 | SUITCASE HOOK R/S | 1 |
| 10 | 60312011060 | DAMPING RUBBER SUITCASE HOOK | 1 |
| 11 | 6030508400033S | EXHAUST BRACKET | 1 |
| 12 | 61305068000 | DAMPING RUBBER | 1 |
| 13 | 60312021250 | CASE BAR R/S | 1 |
| 14 | 60312020250 | CASE BAR L/S | 1 |
| 15 | 60405069000 | SHAPE DISC ALU | 1 |
| 16 | 0025080306 | HH COLLAR SCREW M8X30 TX40 | 8 |
| 17 | 60303002058 | SPACER BUSHING 13X17X8,2 | 10 |
| 18 | 0025060356 | HH COLLAR SCREW M6X35 TX30 | 2 |
| 19 | 0021060003 | WASHER DIN9021-A 6,4 | 2 |
| 20 | 60307048000 | RUBBER SEAT-CONTACT SURFACE | 4 |
| 21 | 0025080506 | HH COLLAR SCREW M8X50 TX40 | 1 |
| 22 | 60305069000 | BUSHING | 2 |
| 23 | 60307040041 | PLATE RUBBER SEAT | 2 |
| 24 | 60307049000 | BUSH 6.2X12X21.5 | 4 |
| 25 | 60303007000 | SPACER BUSH ENGINE SUPPORT | 2 |
| 26 | 54603048100 | RANGE CHANGE METAL NUT M6 | 2 |
| 27 | 0035100209 | AH-COLLAR SCREW M10X20 ISA45 | 2 |
| 28 | 76009062000 | SPECIAL SCREW M8X25 SS TX40 | 6 |
| 29 | 60003040133 | FOOTPEG LS+RS CPL. | 1 |
| 30 | 54603041000 | FOOTREST SPRING L/S & R/S | 2 |
| 31 | 60003040010 | FOOTREST RUBBER FRONT L/S 03 | 1 |
| 32 | 60003041010 | FOOTREST RUBBER FRONT R/S 03 | 1 |
| 33 | 54803044000 | PIN FOR FOOT PED 51.5X9.8 MM | 2 |
| 34 | 0125100003 | WASHER DIN0125-A10,5 | 2 |
| 35 | 78003040050 | FOOTREST L/S 08 | 1 |
| 36 | 78003041050 | FOOTREST R/S 08 | 1 |
| 37 | 6030310109533S | FOOTREST MOUNTING | 2 |
| 38 | 0094032253 | PIN DIN0094-3,2X25 STEEL | 2 |

18110

* NEW PART

X ON DEMAND



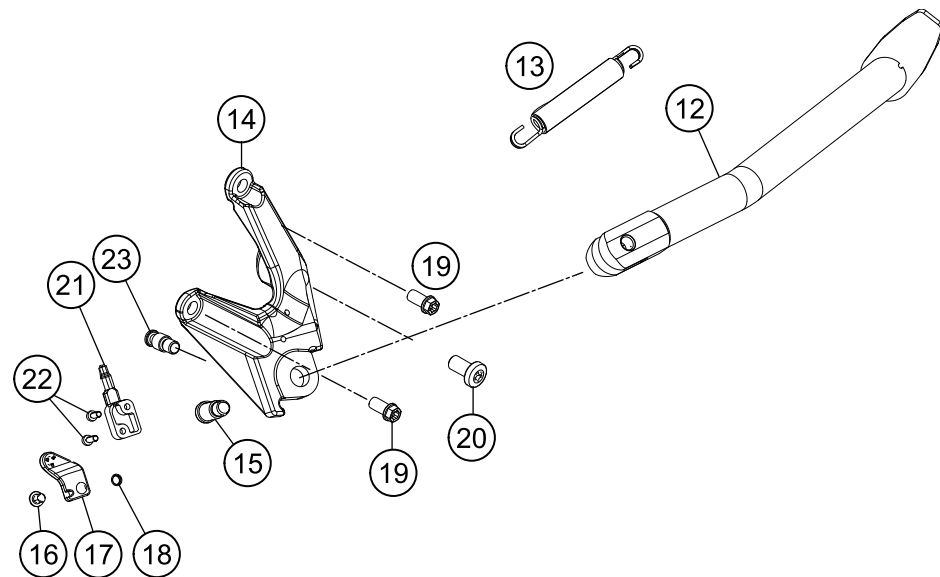
| POS | PARTNUMBER | PARTNAME | PIECE |
|-----|---------------|--------------------------------|-------|
| 39 | 0025080166S | HH COLLAR SCREW M8X16 TX40 | 4 |
| 40 | 60003044010 | CLOSING PANEL FRONT L/S R/S 03 | 2 |
| 41 | 0985050003 | SELF LOCKING NUT DIN0985-M 5 | 2 |
| 42 | 61007014000 | SPACER FUEL TANK 05 | 2 |
| 43 | 0025060406 | HH COLLAR SCREW M6X40 TX30 | 2 |
| 45 | 60303070000 | CHAIN GUIDE | 1 |
| 46 | 0024060156 | HH COLLAR SCREW M6X15 TX30 | 1 |
| 49 | 54603048200 | RANGE CHANGE METAL NUT M5 | 2 |
| 51 | 69008021160 | SPECIAL SCREW M5X12 | 1 |
| 52 | 0035100509S | AH-COLLAR SCREW M10X50 ISA45 | 2 |
| 54 | 0035100249 | AH-COLLAR SCREW M10X24 ISA45 | 10 |
| 55 | 60003152000 | ENGAGE PANEL FOOTREST L/S 03 | 2 |
| 56 | 60003052000 | ENGAGE PANEL FOOTREST R/S 03 | 2 |
| 57 | 60003050000 | FOOTREST CPL. L/S REAR 03 | 1 |
| 58 | 60003051000 | FOOTREST CPL. R/S REAR 03 | 1 |
| 59 | 60003044100 | BOLT FOR FOOTREST REAR | 2 |
| 60 | 0799060003 | TAB WASHER DIN6799-RS 6,0 | 2 |
| 61 | 60308024200 | TRIPLECLAMP-FACEPLATE BELOW | 1 |
| 62 | 0081050121 | SCREW FOR PLASTIC K50X12 T20 | 3 |
| 63 | 6030319000030 | SKID PLATE ADV | 1 |
| 64 | 0025060406 | HH COLLAR SCREW M6X40 TX30 | 2 |
| 65 | 45239060050 | COLLAR BUSHING 6,3X8X13X9,5 | 2 |
| 66 | 60003096000 | VIBRATION DAMPER 03 | 2 |
| 67 | 60303003010 | STEERING HEAD COVER | 1 |
| 68 | 0025080256 | HH COLLAR SCREW M8X25 TX40 | 2 |
| 69 | 0025080306 | HH COLLAR SCREW M8X30 TX40 | 2 |

176080310

18110

* NEW PART

X ON DEMAND



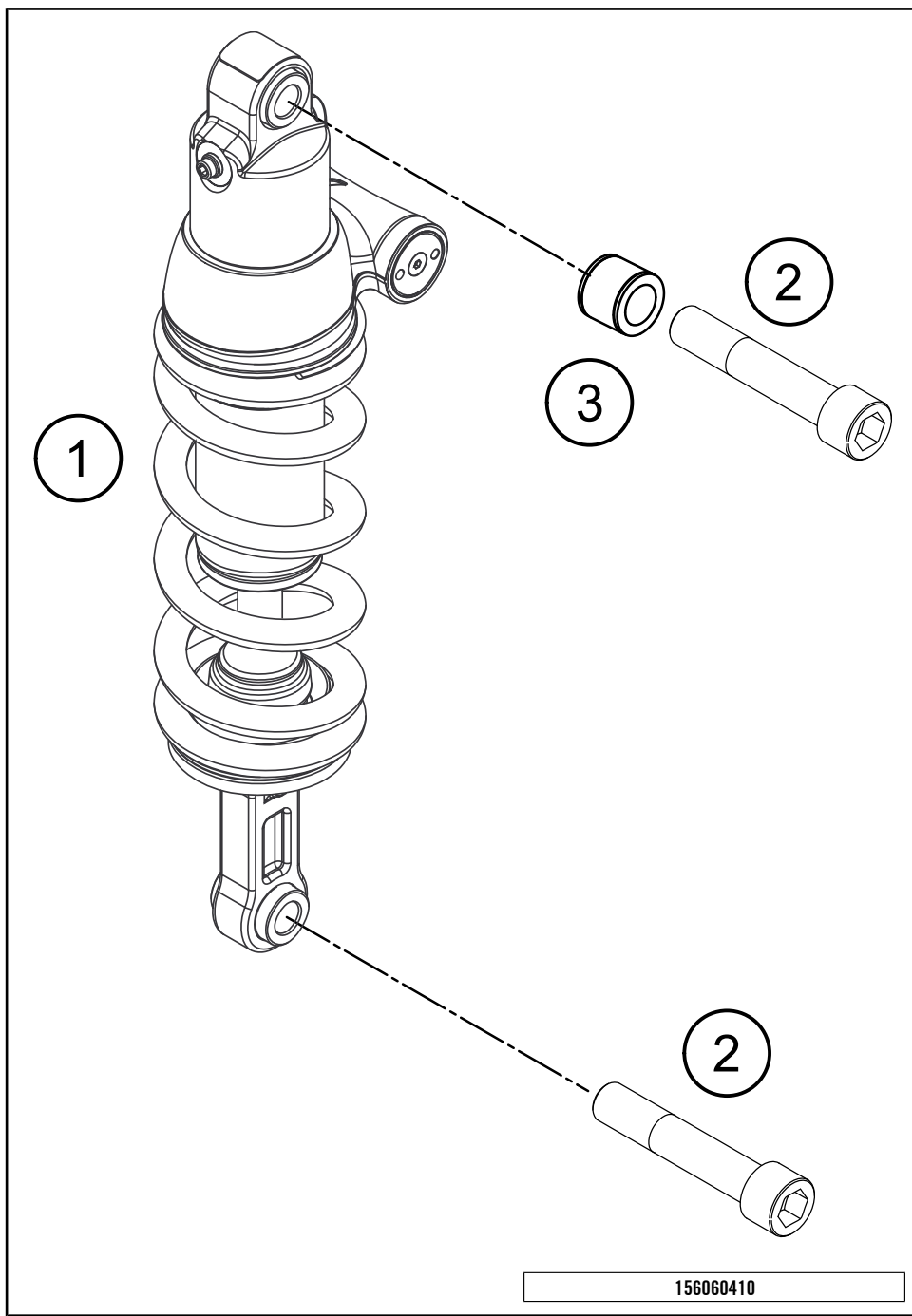
| POS | PARTNUMBER | PARTNAME | PIECE |
|-----|----------------|-------------------------------|-------|
| 12 | 6030312310033 | SIDE STAND CPL. | 1 |
| 13 | 60303024100 | SIDE STAND SPRING | 1 |
| 14 | 6030302610033S | SIDE STAND BRACKET | 1 |
| 15 | 62503027200 | SCREW FOR SIDE STAND M10X31,2 | 1 |
| 16 | 0902060083 | AH OVAL SCREW ISO 7380 M 6X8 | 1 |
| 17 | 60303029050 | MAGNET HOLDER | 1 |
| 18 | 60303029051 | BUSHING MAGNET HOLDER | 1 |
| 19 | 0025080166 | HH COLLAR SCREW M8X16 TX40 | 2 |
| 20 | 62503027200 | SCREW FOR SIDE STAND M10X31,2 | 1 |
| 21 | 60411045000 | SIDE STAND SENSOR | 1 |
| 22 | 0084040123 | CYL.HEAD SCREW DIN84A M4x12 | 2 |
| 23 | 60303023111 | RETAINING BOLT | 1 |

156060360

16082

* NEW PART

X ON DEMAND



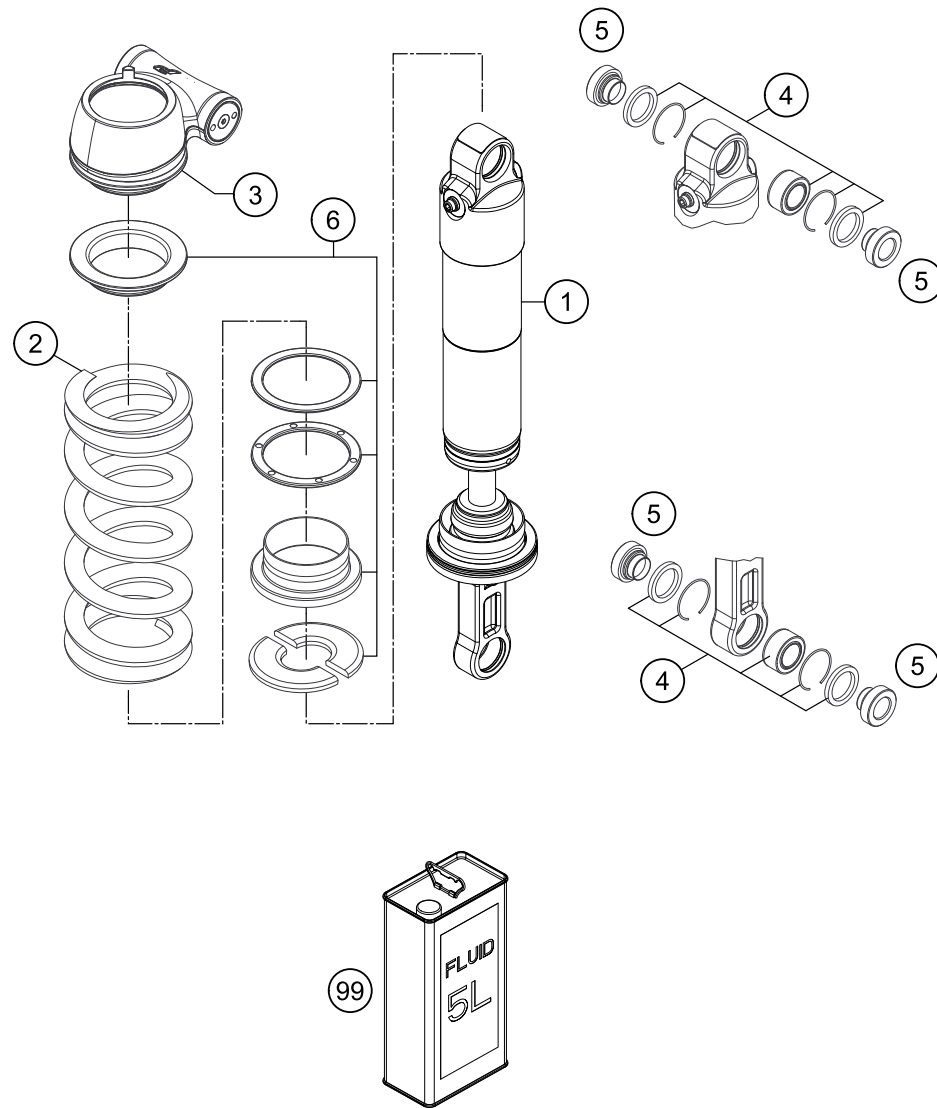
| POS | PARTNUMBER | PARTNAME | PIECE |
|-----|-------------|-----------------------------|-------|
| 1 | 0118900801 | MONOSHOCK ADVENTURE EDS | 1 |
| 2 | 60004017000 | SCREW M14X1,5 L=73MM 03 | 2 |
| 3 | 60004030151 | BUSHING MONOSHOCK SOCKET 05 | 1 |

156060410

16083

* NEW PART

X ON DEMAND



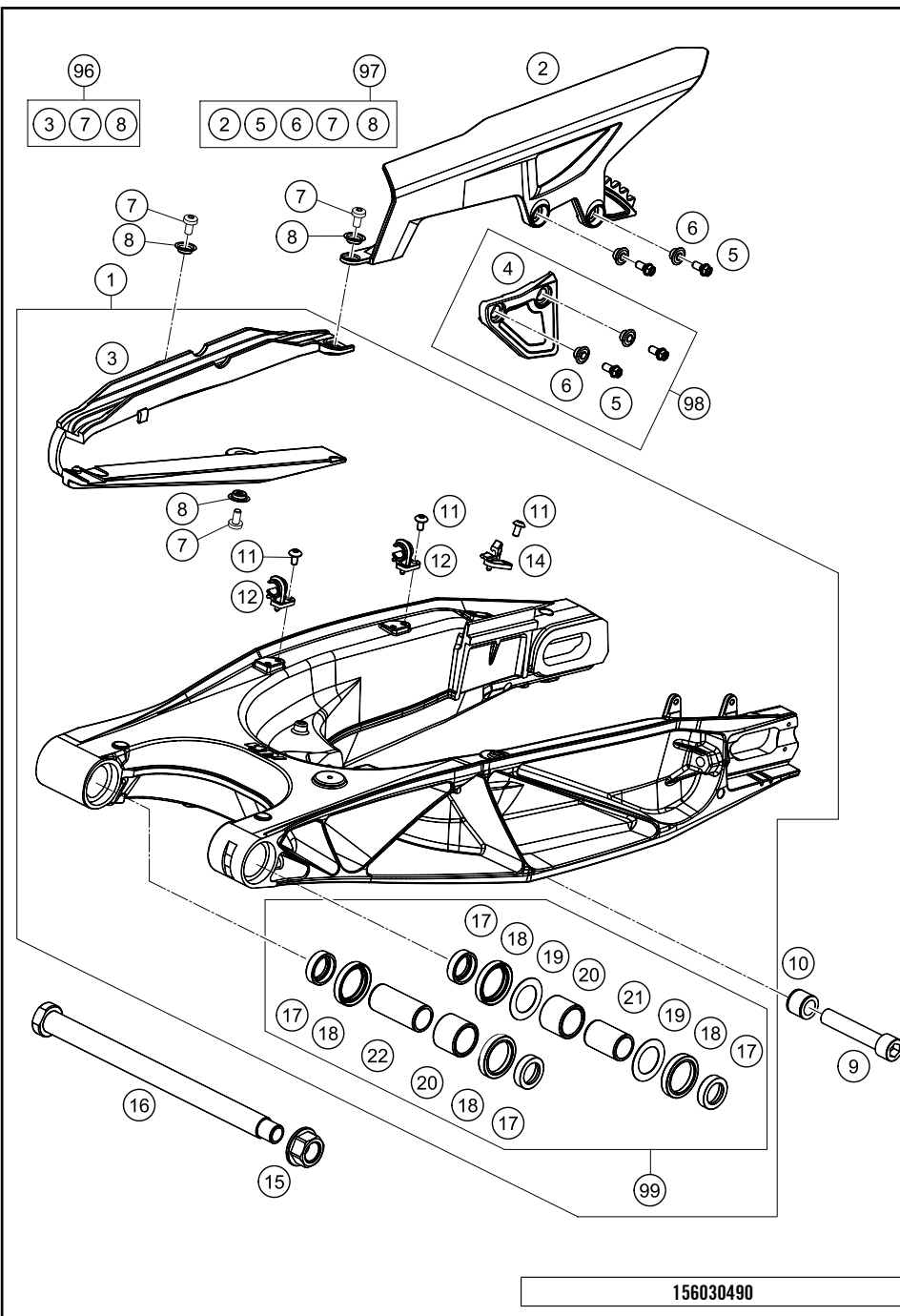
| POS | PARTNUMBER | PARTNAME | PIECE |
|-----|------------|-------------------------------|-------|
| 1 | 46812010S1 | MONOSHOCK ASSEMBLY GROUP | 1 |
| 2 | 91010312S | SPRING (59) 170-205 | 1 |
| 3 | 15000021 | PA ϕ 46 STD. ADJUST. R/S | 1 |
| 4 | R12012 | REP. KIT BEAR./SEAL UP. 07 | 1 |
| 5 | 46181138 | BUSHING KGW 1525 14X32 | 4 |
| 6 | R15020 | REP. KIT WASHERS | 1 |
| 99 | 50180751S1 | SHOCK ABSORBER FLUID 5 LT | 1 |

156060430

16085

* NEW PART

X ON DEMAND

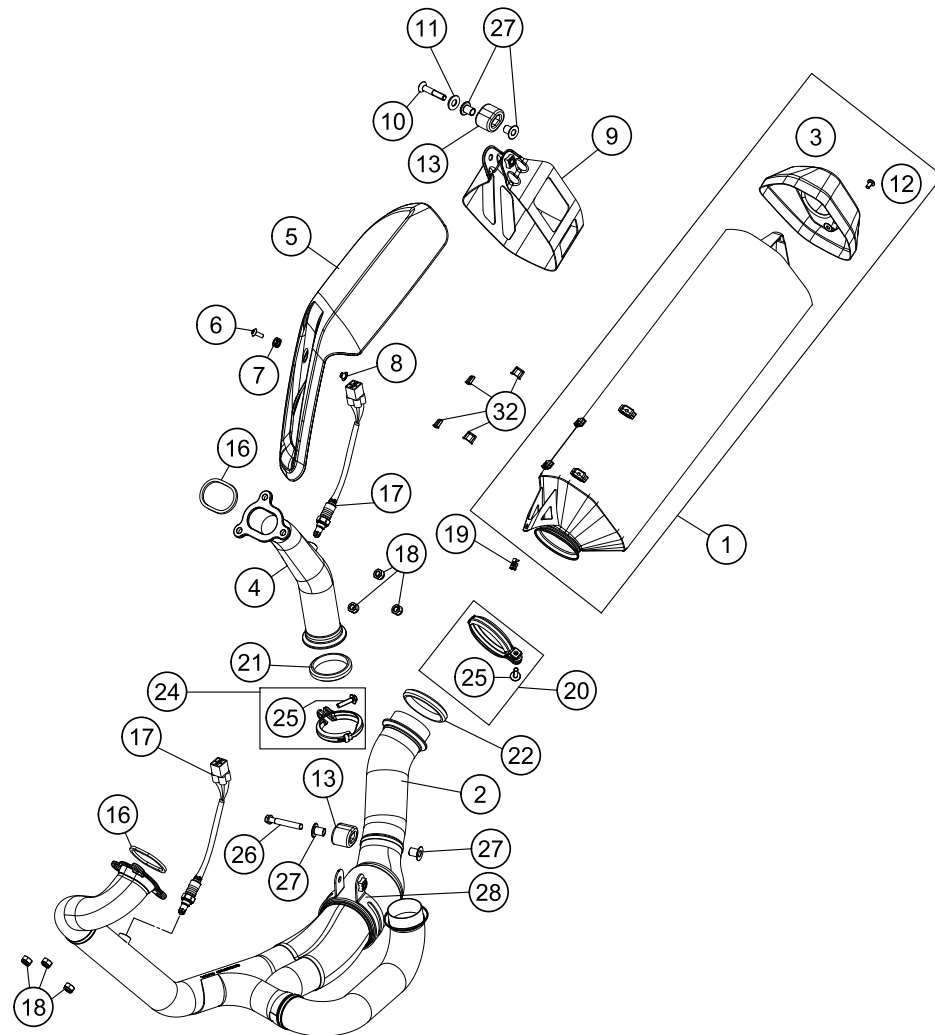


| POS | PARTNUMBER | PARTNAME | PIECE |
|-----|---------------|-----------------------------------|-------|
| 1 | 6070403004433 | SWING ARM CPL. ADV. 17 | 1 |
| 2 | 60304061000 | CHAIN GUARD | 1 |
| 3 | 60304066000 | CHAIN SLIDING GUARD | 1 |
| 4 | 60304070000 | CHAIN GUIDE | 1 |
| 5 | 0025060166 | HH COLLAR SCREW M6X16 TX30 | 4 |
| 6 | 50308053000 | BUSH FOR SPOILER 6X11X16X7,5 | 4 |
| 7 | 0018050103 | INT. TORX OVAL HEAD M 5X10 8.8 | 3 |
| 8 | 46104066050 | BUSH FOR CHAINSLIDER GUARD 02 | 3 |
| 9 | 60004017000 | SCREW M14X1,5 L=73MM 03 | 1 |
| 10 | 60004030151 | BUSHING MONOSHOCK SOCKET 05 | 1 |
| 11 | 78105081010 | SCREW TORX M5X10 | 3 |
| 12 | 60104142000 | Clamp | 2 |
| 14 | 60142126000 | Rear cable routing for ABS sensor | 1 |
| 15 | 60004038200 | COLLAR NUT M19X1,5 SW=27MM | 1 |
| 16 | 69004037244 | SWING ARM BOLT | 1 |
| 17 | 60004034000 | BUCKET F. SHAFT SEAL RING 03 | 4 |
| 18 | 0760304073 | SHAFT SEAL RING 30X40X7 | 4 |
| 19 | 60004033000 | STOP DISK 03 | 2 |
| 20 | 60004031000 | NEEDLE BUSH HK2526B 03 | 2 |
| 21 | 60004032000 | INNER RING JR20X25X38,5 03 | 1 |
| 22 | 69004032000 | INNER RING JR 20X25X56,5 | 1 |
| 96 | 60304066010 | CHAIN GUARD KIT 13-14 | x |
| 97 | 60304060010 | CHAIN PROTECTION KIT 13-14 | x |
| 98 | 60304070010 | CHAIN GUIDE KIT 1190 ADV | x |
| 99 | 69004230010 | SWING ARM REP. KIT 08-14 | x |

156030490

15956

* NEW PART X ON DEMAND



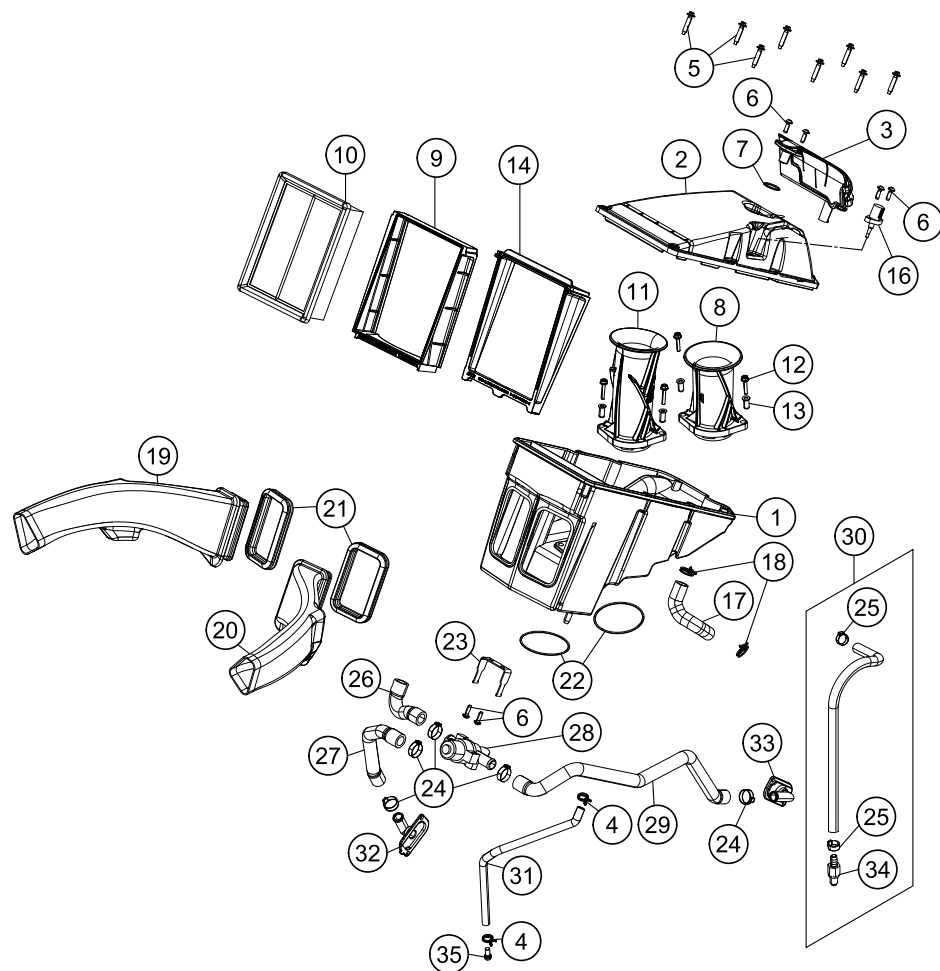
| POS | PARTNUMBER | PARTNAME | PIECE |
|-----|---------------|--------------------------------|-------|
| 1 | 60305083000 | SILENCER | 1 |
| 2 | 60705007000 | Header front | 1 |
| 3 | 60305083161 | ENDCAP | 1 |
| 4 | 60305008100 | Header rear complete | 1 |
| 5 | 6040511100033 | HEAT PROTECTION BLACK | 1 |
| 6 | 58605083014 | SCREW M5X14 TORX 25 07 | 1 |
| 7 | 60305083081 | SILICON SLEEVE | 1 |
| 8 | 60305083082 | SPACER BUSHING | 1 |
| 9 | 60305083190 | CLAMP SILENCER | 1 |
| 10 | 0019080456 | COUNTERSUNK SCREW ISA45 M8X45 | 1 |
| 11 | 60405069000 | SHAPE DISC ALU | 1 |
| 12 | 78105081010 | SCREW TORX M5X10 | 3 |
| 13 | 61305068000 | DAMPING RUBBER | 2 |
| 16 | 69005005100 | EXHAUST PIPE FLANGE GASKET | 2 |
| 17 | 75041090200 | LAMBDA SENSOR | 2 |
| 18 | 51010086100 | SELF LOCKING NUT M 8 CU | 6 |
| 19 | 69008021080 | RANGE CHANGE METAL NUT M5 | 1 |
| 20 | 61305090000 | EXHAUST CLAMP CPL. 60MM | 1 |
| 21 | 69005005005 | MANIFOLD GASKET | 1 |
| 22 | 61305005005 | MANIFOLD GASKET 60MM | 1 |
| 24 | 69005050000 | CLAMP CPL. | 1 |
| 25 | 0024060256 | HH COLLAR SCREW M6X25 TX30 | 2 |
| 26 | 0025080456 | HH COLLAR SCREW M8X45 TX40 | 1 |
| 27 | 60305069000 | BUSHING | 2 |
| 28 | 60305007015 | SHELL EXHAUST PIPE CPL. | 1 |
| 32 | 61005091000 | DAMP. COMPON. SILICONE GREY 05 | 4 |

176080510

18111

* NEW PART

X ON DEMAND



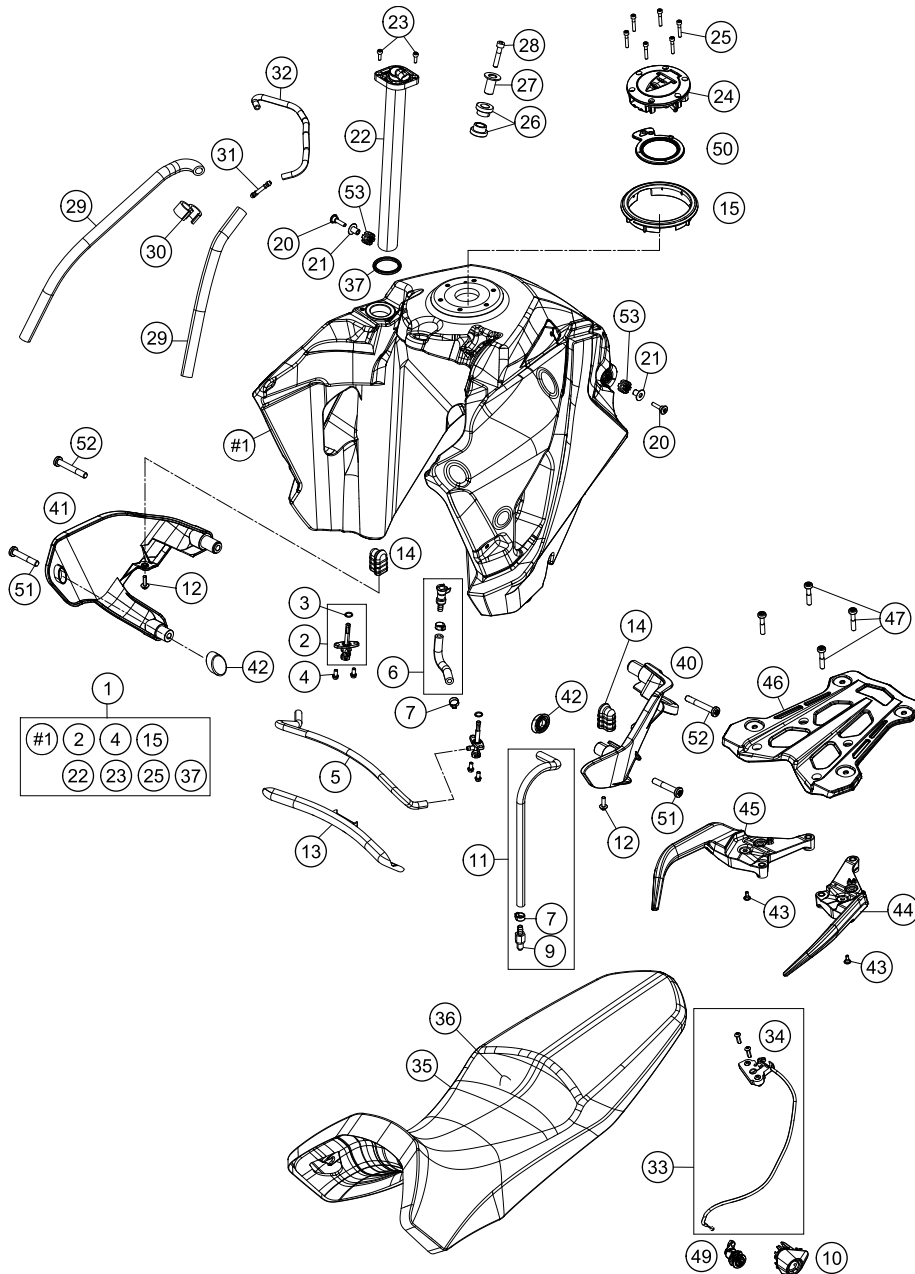
| POS | PARTNUMBER | PARTNAME | PIECE |
|-----|---------------|--------------------------------|-------|
| 1 | 60306001200 | AIR FILTER HOUSING LOWER PART | 1 |
| 2 | 60306002000 | AIR FILTER BOX COVER | 1 |
| 3 | 60330088100 | OIL SEPARATOR | 1 |
| 4 | 58031005000 | CLAMP YDNAC 10128 12MM | 2 |
| 5 | 0017060305 | SPECIAL SCREW K60X30 WS=6 | 8 |
| 6 | 0081050161 | EJOT PT SCREW K50X16 1451 | 6 |
| 7 | 0770021020 | O-RING 21,00X2,00 NBR70 | 1 |
| 8 | 60641140000 | INTAKE FUNNEL REAR | 1 |
| 9 | 60406016000 | FILTERCLAMPING FRAME | 1 |
| 10 | 60306015100 | AIR FILTER | 1 |
| 11 | 60641040000 | INTAKE FUNNEL FRONT | 1 |
| 12 | 0025050256S | HH COLLAR SCREW M5X25 ISA30 | 4 |
| 13 | 60306042010 | BUSHING INTAKE TRUMPET | 4 |
| 14 | 60406017000 | FILTERCLAMPING LINER | 1 |
| 16 | 61041080000 | AMBIENT-AIR TEMPERATURE SENSOR | 1 |
| 17 | 60330088030 | OIL SEPARATOR FOAM HOSE | 1 |
| 18 | 60306082000 | CLAMP YDNAC 10173 (19MM) | 2 |
| 19 | 60406040000 | INTAKE DUCT R/S | 1 |
| 20 | 60406041000 | INTAKE DUCT L/S | 1 |
| 21 | 60306040050 | GASKET INTAKE DUCT | 2 |
| 22 | 0770066025 | O-RING 66X2,5 FKM | 2 |
| 23 | 61305031000 | RETAINING BRACKET SLS | 1 |
| 24 | 00050226706 | VARIABLE ONE-EAR CLAMP 22,6MM | 5 |
| 25 | 00050157706 | VARIABLE ONE-EAR CLAMP 15,7MM | 2 |
| 26 | 61305035023 | SAS HOSE - AIRBOX | 1 |
| 27 | 61305035021 | SAS HOSE CYLINDER FRONT | 1 |
| 28 | 61005026000 | CONTROL VALVE SAS 05 | 1 |
| 29 | 61305035022 | SAS HOSE CYLINDER REAR | 1 |
| 30 | 60307016000 | FUEL HOSE 1 CPL. | 1 |
| 31 | 60015019001 | HOSE NBR 7X11 PER METER | 1 |
| 32 | 61205122000 | SAS-FLANGE | 1 |
| 33 | 61205032000 | SAS-FLANGE | 1 |
| 34 | 5850701030030 | PLUG CPC BLACK 05 | 1 |
| 35 | 0025080126 | HH COLLAR SCREW M8X12 TX40 | 1 |

166060610

17261

* NEW PART

X ON DEMAND



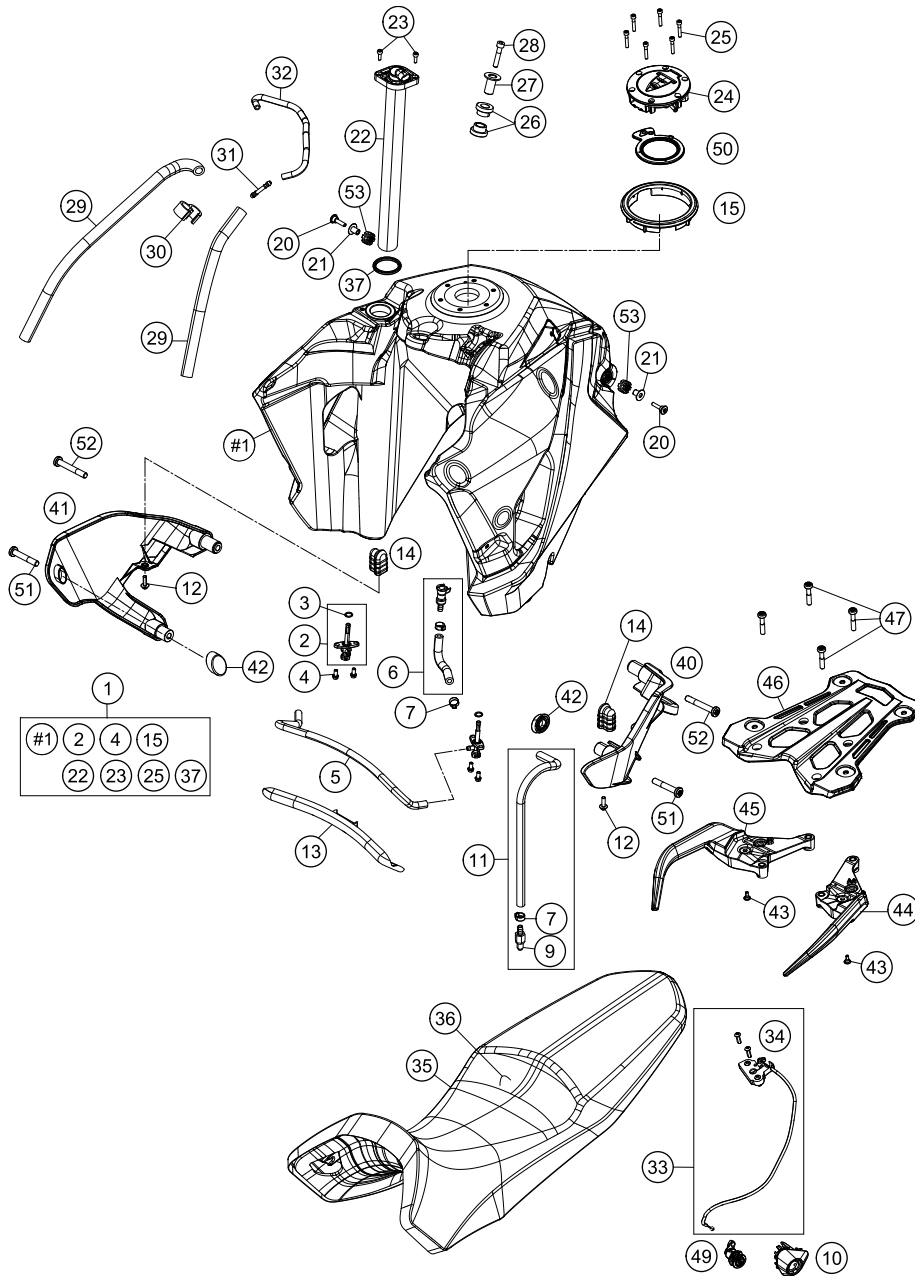
176080710

| POS | PARTNUMBER | PARTNAME | PIECE |
|-----|---------------|--------------------------------|-------|
| 1 | 6060701314430 | FUEL TANK ADV. CPL. | 1 |
| 2 | 58507003200 | FUEL COCK CPL. | 2 |
| 3 | 0770020130 | O-RING 1,78x10,82x14,38 2-013 | 2 |
| 4 | 0025060126 | HH COLLAR SCREW M6X12 TX30 | 4 |
| 5 | 60007416510 | FUEL HOSE 6,4X3,2 L=510MM | 1 |
| 6 | 60307017000 | FUEL HOSE TANK/CONNECTOR | 1 |
| 7 | 00050157706 | VARIABLE ONE-EAR CLAMP 15,7MM | 2 |
| 9 | 5850701030030 | PLUG CPC BLACK 05 | 1 |
| 10 | 60307053000 | SEAT LOCK COVER | 1 |
| 11 | 60307016050 | FUEL PIPE 1 | 1 |
| 12 | 0024060206 | HH COLLAR SCREW M6X20 TX30 | 2 |
| 13 | 60307070000 | BRACKET FUEL HOSE | 1 |
| 14 | 60307020000 | TANK RUBBER | 2 |
| 15 | 60307009000 | TANK CAP RING | 1 |
| 20 | 60307025000 | SPECIAL SCREW M6X32.5 ISA 40 | 2 |
| 21 | 69007028000 | COLLAR BUSH. 6,2X10X21X14MM 08 | 2 |
| 22 | 60307080000 | GAS LEVEL SENSOR | 1 |
| 23 | 0912050163 | AH SCREW DIN0912-M 5X16 | 2 |
| 24 | 60307008100 | TANK CAP | 1 |
| 25 | 0912050253 | AH SCREW DIN0912-M 5X25 | 6 |
| 26 | 61007065000 | TANK RUBBER BUSHING FRONT 05 | 2 |
| 27 | 61007060000 | BEARING BUSHING OUTSIDE 05 | 1 |
| 28 | 0912080403 | AH SCREW DIN912 M8X40 | 1 |
| 29 | 60007126001 | HOSE 5,4X9,4 NBR, METER | 1 |
| 30 | 60038039000 | DISTANCE HOLDER 10/10 BLACK | 1 |
| 31 | 69015019010 | HOSE CONNECTION STRAIGHT | 1 |
| 32 | 60307008150 | HOSE TANK BREAT. | 1 |
| 33 | 60307050000 | SEAT LOCK CPL. | 1 |
| 34 | 0738060201 | FLAT HEAD SCREW ISO7380 M6X20 | 2 |
| 35 | 60607040000 | SEAT | 1 |
| 36 | 60607140050 | SEAT COVER | 1 |
| 37 | 60307080090 | GASKET FUEL LEVEL SENSOR | 1 |
| 40 | 6030702700033 | Tank guard left black | 1 |
| 41 | 6030702800033 | Tank guard right black | 1 |
| 42 | 60307032000 | DAMPER | 2 |
| 43 | 69013099050 | SCREW F. EXPANSION TANK | 2 |
| 44 | 6031200810030 | GRIP L/S BLACK | 1 |
| 45 | 6031200920030 | HAND GRIP R/S | 1 |

16088

* NEW PART

X ON DEMAND



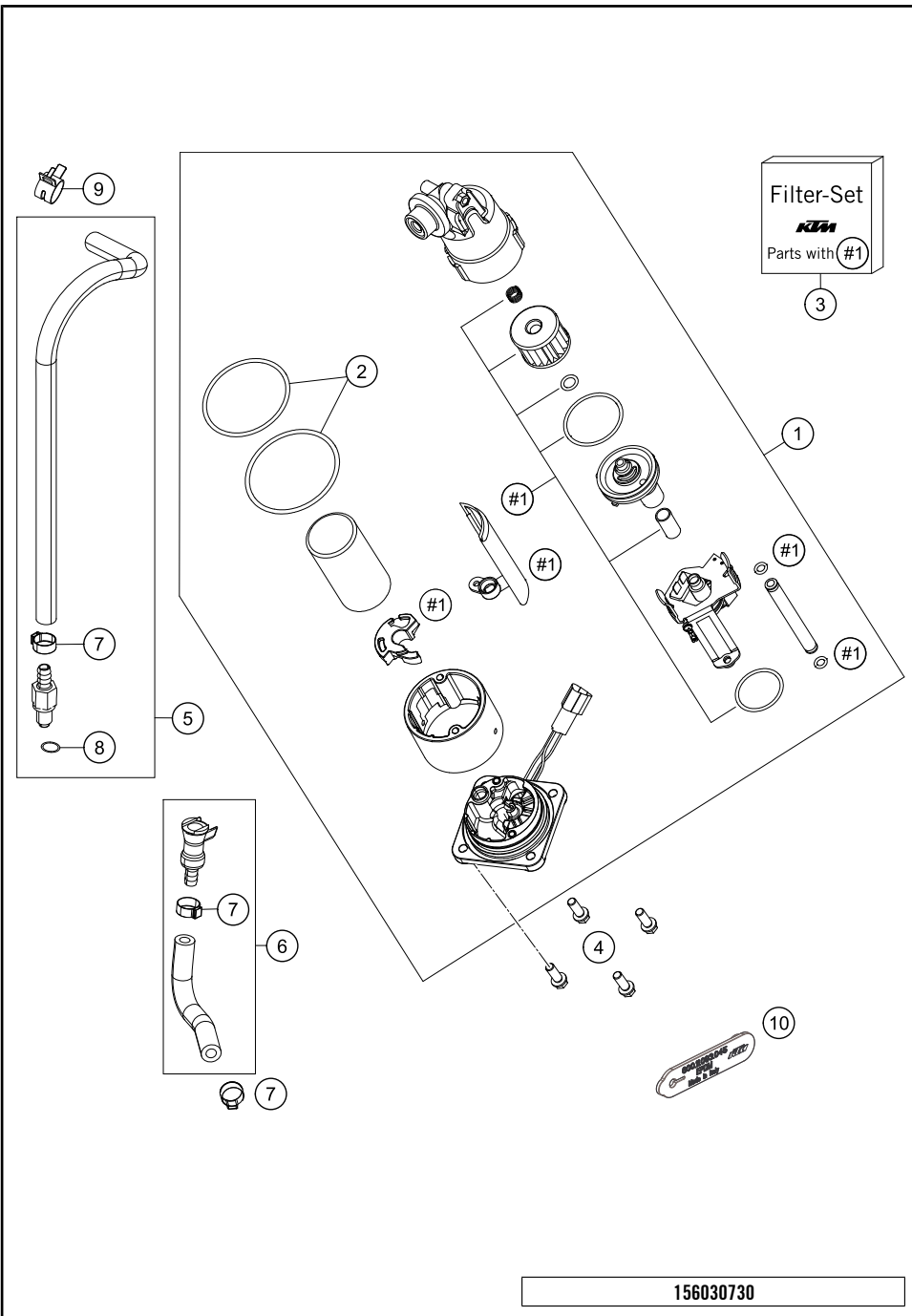
| POS | PARTNUMBER | PARTNAME | PIECE |
|-----|---------------|------------------------------|-------|
| 46 | 6061201000030 | BAGGAGE CARRIER BRIDGE | 1 |
| 47 | 0035080506S | AH-COLLAR SCREW M8X50 ISA45 | 4 |
| 49 | 60307050020 | LOCK CYLINDER SEAT LOCK | 1 |
| 50 | 60307008190 | GASKET TANK CAP | 1 |
| 51 | 0035100609S | AH-COLLAR SCREW M10X60 ISA45 | 2 |
| 52 | 0035100709S | AH-COLLAR SCREW M10X70 ISA45 | 2 |
| 53 | 69007027000 | RUBBER SLEEVE TANK MOUNT 08 | 2 |

176080710

16088

* NEW PART

X ON DEMAND

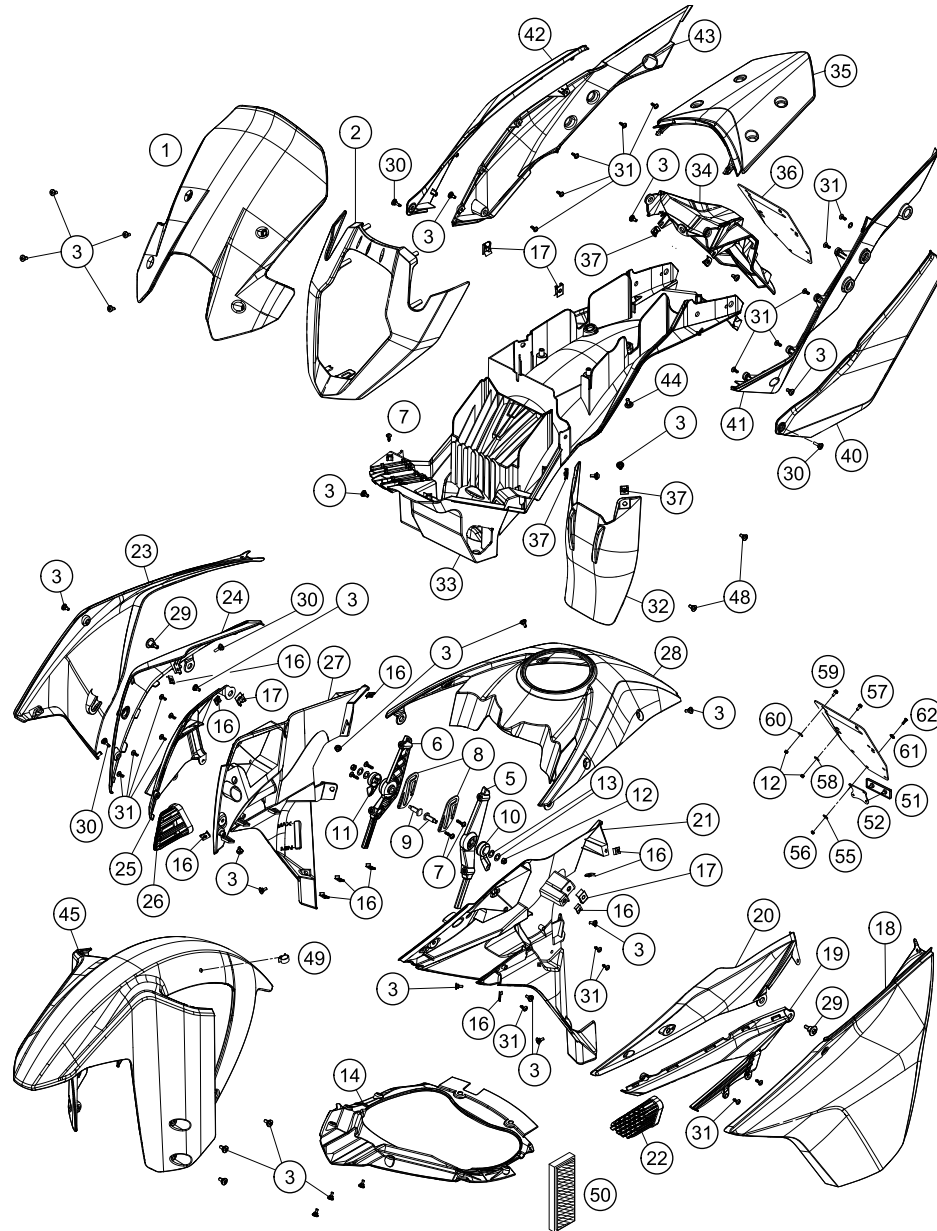


| POS | PARTNUMBER | PARTNAME | PIECE |
|-----|-------------|-------------------------------|-------|
| 1 | 60307088000 | FUEL PUMP | 1 |
| 2 | 61007089000 | O-RING SET FOR FUEL PUMP 05 | 1 |
| 3 | 61007090100 | FILTER-SET FUEL PUMP | 1 |
| 4 | 0025060166 | HH COLLAR SCREW M6X16 TX30 | 4 |
| 5 | 60307016000 | FUEL HOSE 1 CPL. | 1 |
| 6 | 60307017000 | FUEL HOSE TANK/CONNECTOR | 1 |
| 7 | 00050157706 | VARIABLE ONE-EAR CLAMP 15,7MM | 4 |
| 8 | 58507012000 | O-RING VITON F. PLUG CPC 05 | 1 |
| 9 | 00049140121 | CLAMP STD DN14 | 1 |
| 10 | 60011093045 | RUBBER CABLE TIE 45MM 03 | 1 |

156030730

15967

* NEW PART X ON DEMAND



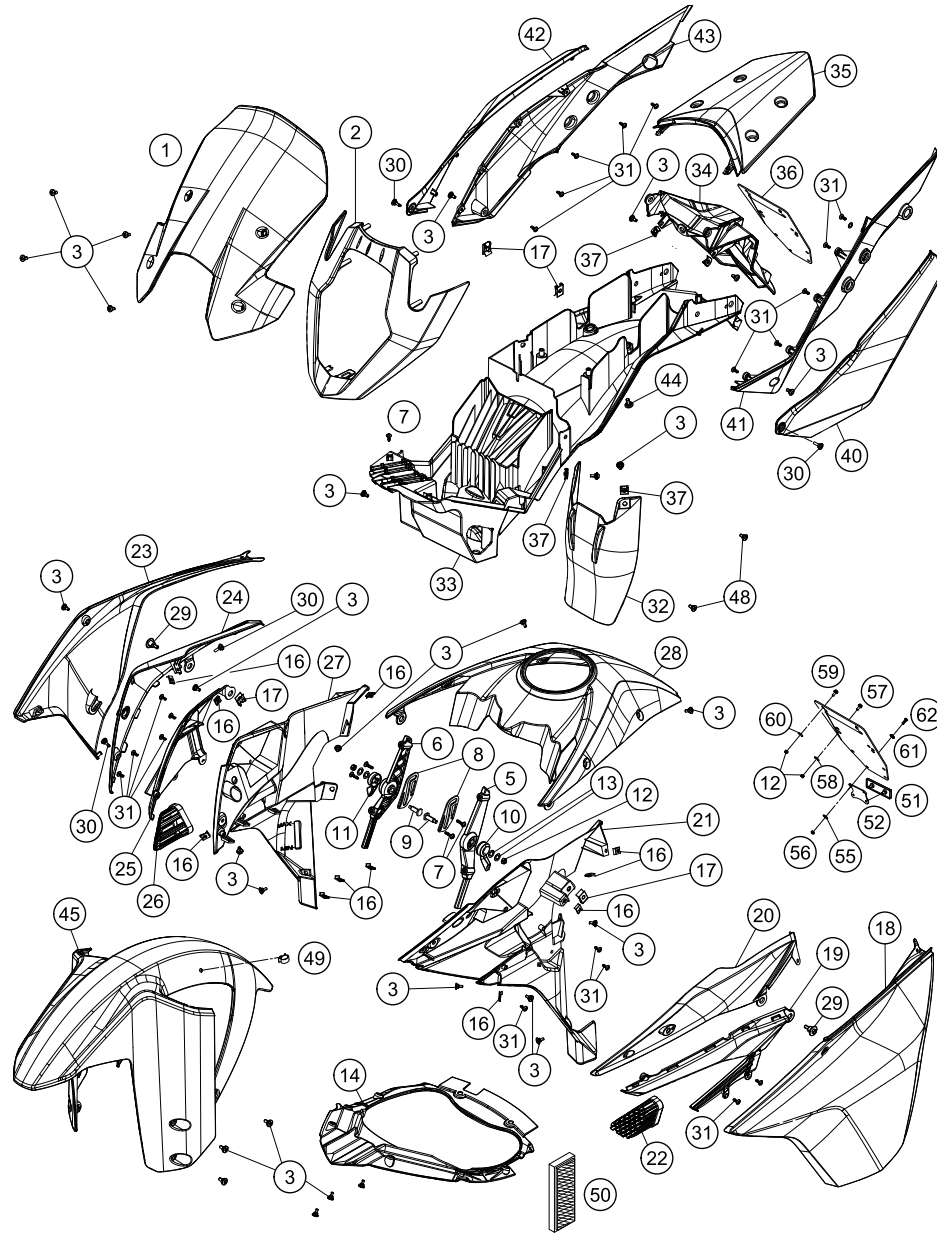
176080810

| POS | PARTNUMBER | PARTNAME | PIECE |
|-----|----------------|--------------------------------|-------|
| 1 | 60308008100 | WINDSCREEN EU | 1 |
| 2 | 6030800100033 | HEADLIGHT MASK | 1 |
| 3 | 69008021160 | SPECIAL SCREW M5X12 | 28 |
| 5 | 60308008050 | WIND SHIELD SUPPORT L/S | 1 |
| 6 | 60308008051 | WIND SHIELD SUPPORT R/S | 1 |
| 7 | 0081050181 | SCREW FOR PLASTIC K50X18 T20 | 4 |
| 8 | 60308008055 | SLIDING SHEET WIND SHIELD | 2 |
| 9 | 60308008056 | TENSION BOLT | 2 |
| 10 | 60308008052 | TENSION LEVER L/S | 1 |
| 11 | 60308008053 | TENSION LEVER R/S | 1 |
| 12 | 0985060003 | SELF LOCK. NUT DIN0985-M 6 | 2 |
| 13 | 0093081508 | BELLEVILLE SPRING 8,2X15X0,8 | 4 |
| 14 | 60308005000 | COCKPIT COVER LOWER SIDE | 1 |
| 16 | 69008021080 | RANGE CHANGE METAL NUT M5 | 14 |
| 17 | 54603048100 | RANGE CHANGE METAL NUT M6 | 5 |
| 18 | 6030805000030 | SPOILER LEFT BLACK | 1 |
| 19 | 6030800205033 | AIR INTAKE L/S | 1 |
| 20 | 6030800200033A | MASKENARM LINKS | 1 |
| 21 | 60308025100 | INNER LINING LEFT | 1 |
| 22 | 60308021050 | COVERING GRID AIR INTAKE L/S | 1 |
| 23 | 6030805100030 | SPOILER RIGHT BLACK | 1 |
| 24 | 6030800300033A | MASKENARM RECHTS | 1 |
| 25 | 6030800305033 | AIR INTAKE R/S | 1 |
| 26 | 60308031050 | COVERING GRID AIR INTAKE RIGHT | 1 |
| 27 | 60308026100 | INNER LINING RIGHT | 1 |
| 28 | 60308030000EB | Tank fairing | 1 |
| 29 | 60035001000 | SPECIAL SCREW M6X21 WS=8 | 2 |
| 30 | 69008021060 | SPECIAL SCREW M5X17 | 6 |
| 31 | 0081050121 | SCREW FOR PLASTIC K50X12 T20 | 25 |
| 32 | 60304050000 | SPLASH PROTECTION | 1 |
| 33 | 60308019200 | Tail end lower part | 1 |
| 34 | 60308015000 | NUMBER PLATE SUPPORT | 1 |
| 35 | 6030801300033 | REAR FENDER | 1 |
| 36 | 60012081200 | LICENCE FITTING 06 | 1 |
| 37 | 54603048200 | RANGE CHANGE METAL NUT M5 | 6 |
| 40 | 60308041000EBA | Side fairing left 1090 ADV | 1 |
| 41 | 6030804300033 | REAR SIDE COVER LEFT | 1 |
| 42 | 60308042000EBA | Side fairing right 1090 ADV | 1 |

18112

* NEW PART

X ON DEMAND



176080810

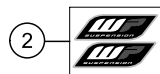
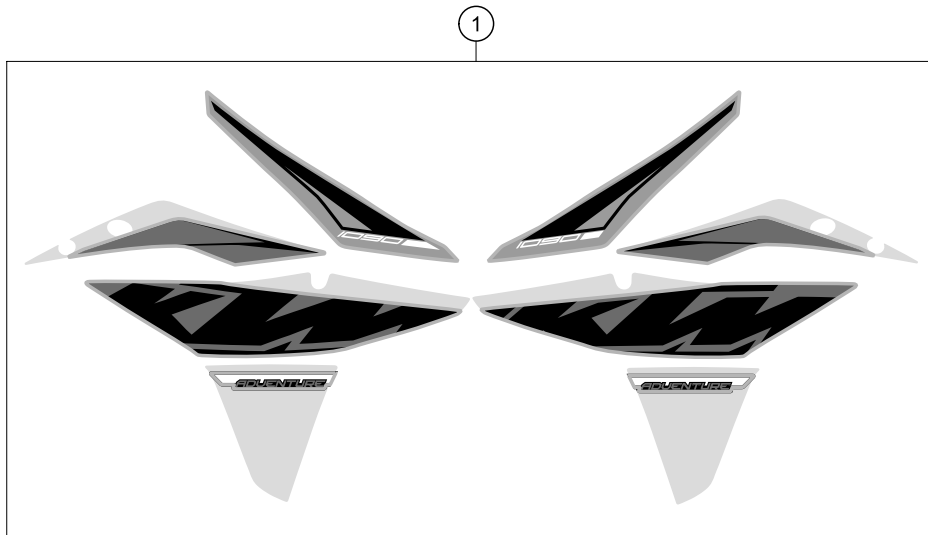
| POS | PARTNUMBER | PARTNAME | PIECE |
|-----|---------------|--------------------------------|-------|
| 43 | 6030804400033 | REAR SIDE COVER RIGHT | 1 |
| 44 | 83008000015 | SPECIAL SCREW M6X15X3 | 2 |
| 45 | 6030811000033 | FRONTFENDER | 1 |
| 48 | 0025060126 | HH COLLAR SCREW M6X12 TX30 | 4 |
| 49 | 58111076000 | CABLE SUPPORT KHS NR.150-47610 | 2 |
| 50 | 60012080100 | SIDE REFLECTOR YELLOW "CEV" | 2 |
| 51 | 58412080200 | REFLECTOR RED "CEV" | 1 |
| 52 | 58412080050 | BRACKET FOR REFLECTOR | 1 |
| 55 | 0125050003 | WASHER DIN0125-A 5,3 | 2 |
| 56 | 0985050003 | SELF LOCKING NUT DIN0985-M 5 | 2 |
| 57 | 0024060156 | HH COLLAR SCREW M6X15 TX30 | 2 |
| 58 | 0021060003 | WASHER DIN9021-A 6,4 | 2 |
| 59 | 0024060206 | HH COLLAR SCREW M6X20 TX30 | 2 |
| 60 | 0125060003 | WASHER DIN0125-A 6,4 | 2 |
| 61 | 40006006000 | WASHER 6MM | 2 |
| 62 | 0966050163 | OVAL HEAD SCREW DIN0966-M 5X16 | 2 |

18112

* NEW PART

X ON DEMAND

| POS | PARTNUMBER | PARTNAME | PIECE |
|-----|-------------|---------------------------|-------|
| 1 | 60808099000 | Decal Set 1090 Adv. | 1 |
| 2 | 61308192000 | STICKER SET FORK WP SMALL | 1 |

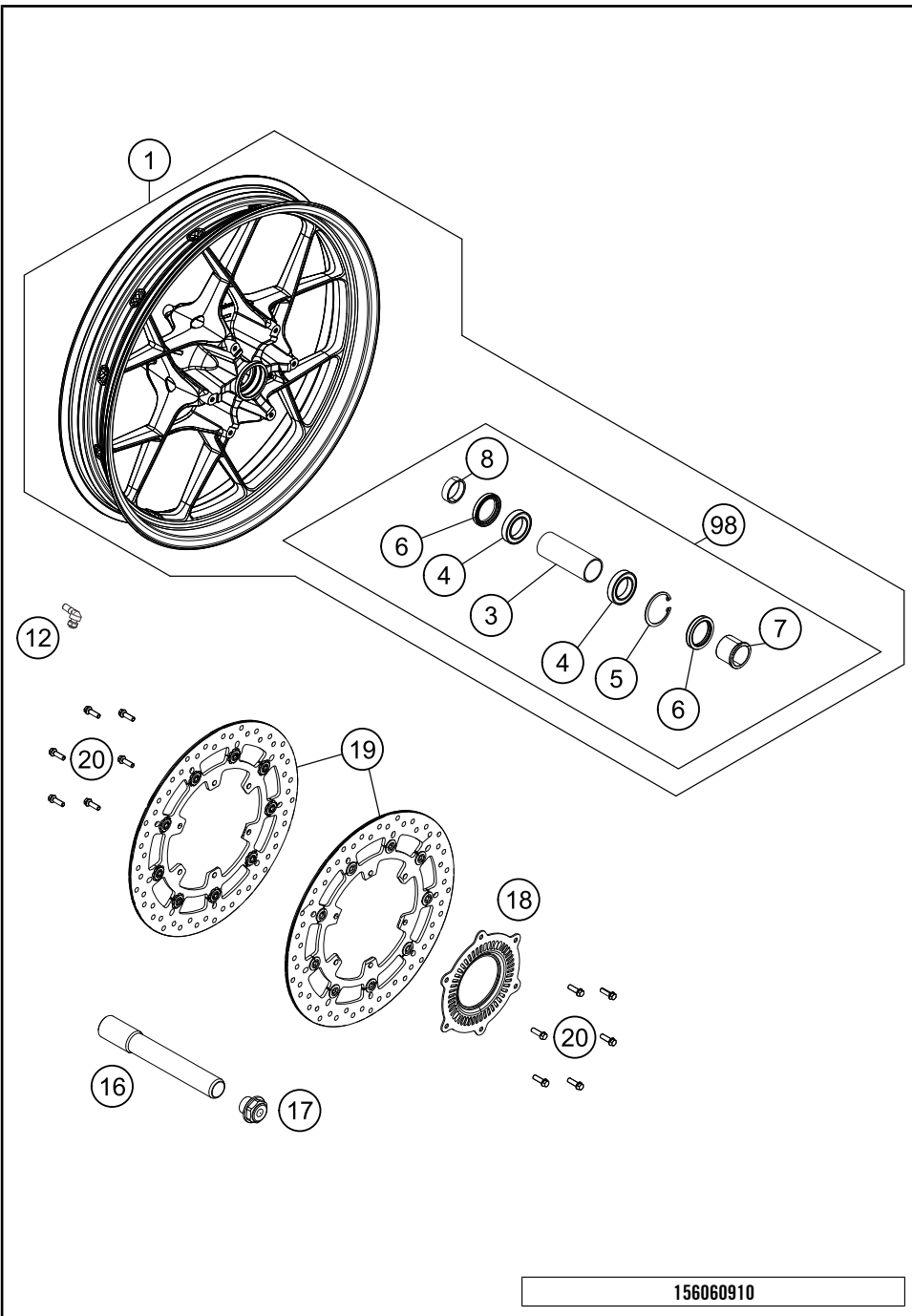


176080830

18113

* NEW PART

X ON DEMAND



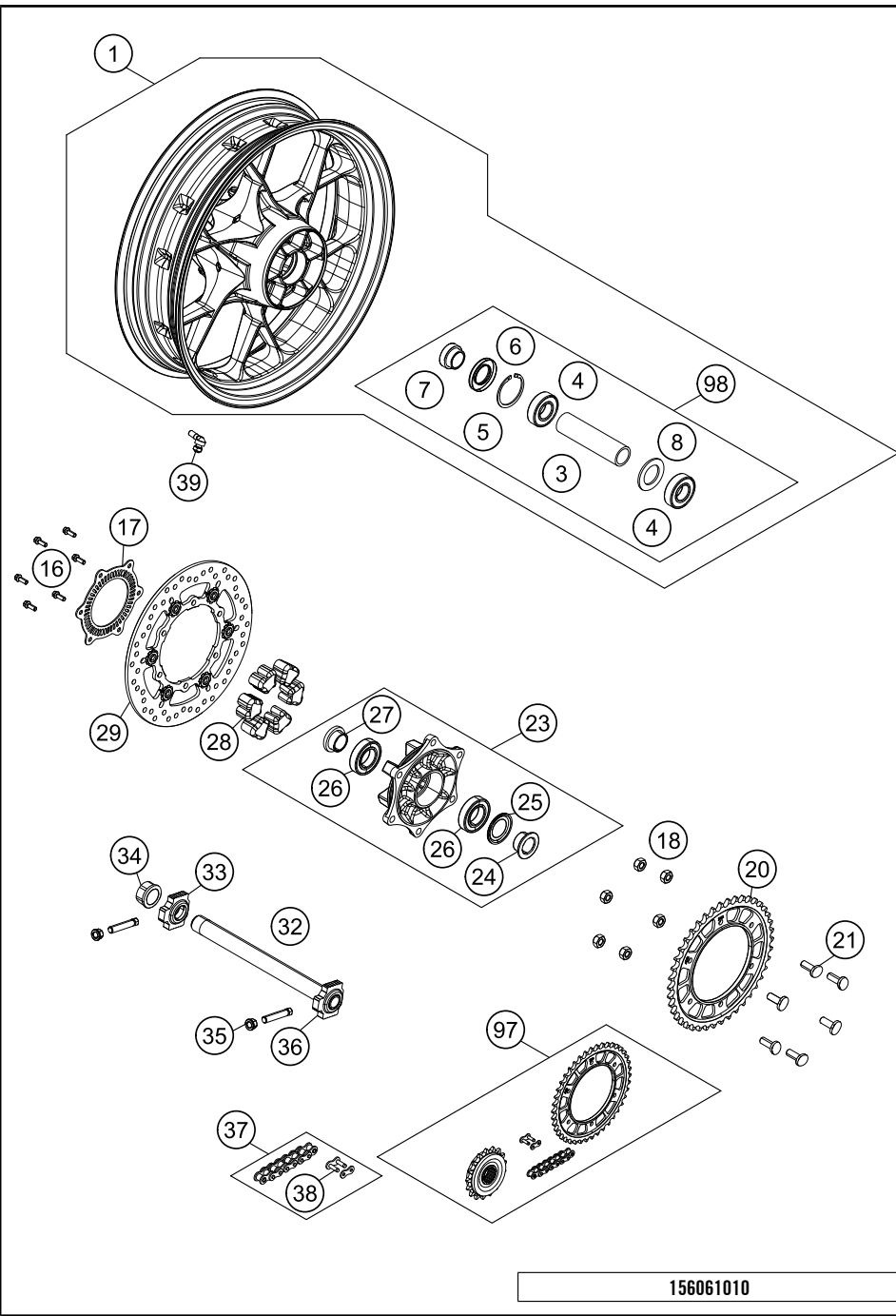
| POS | PARTNUMBER | PARTNAME | PIECE |
|-----|---------------|--------------------------------|-------|
| 1 | 6060900104430 | FRONT WHEEL 3.0X19" CPL. | 1 |
| 3 | 60309011000 | BUSHING SPACER TUBE FRONT | 1 |
| 4 | 0625069068 | GR.BALL BEAR.6906 DDU2CG23S6NM | 2 |
| 5 | 0472047175 | CIRCLIP DIN0472-47X1,75 | 1 |
| 6 | 0760354771 | SHAFT SEAL RING 35X47X7 TC | 2 |
| 7 | 60309012100 | SPACER BUSH. FRONT WHEEL L/S | 1 |
| 8 | 60009013000 | SPACER BUSH. FR. WHEEL R/S 03 | 1 |
| 12 | 61009076100 | VALVE ANGLED | 1 |
| 16 | 60309081000 | AXLE FRONT | 1 |
| 17 | 6900103600001 | STEERING HEAD SCREW 09 | 1 |
| 18 | 60342020000 | SENSOR GEAR ABS | 1 |
| 19 | 6030906000030 | BRAKE DISC FRONT D=320X4,5 | 2 |
| 20 | 59009062019 | SPECIAL SCREW M6X19 WS=8 10.9 | 12 |
| 98 | 60609015000 | FRONT WHEEL REP. KIT ADV. 1050 | x |

156060910

16090

* NEW PART

X ON DEMAND



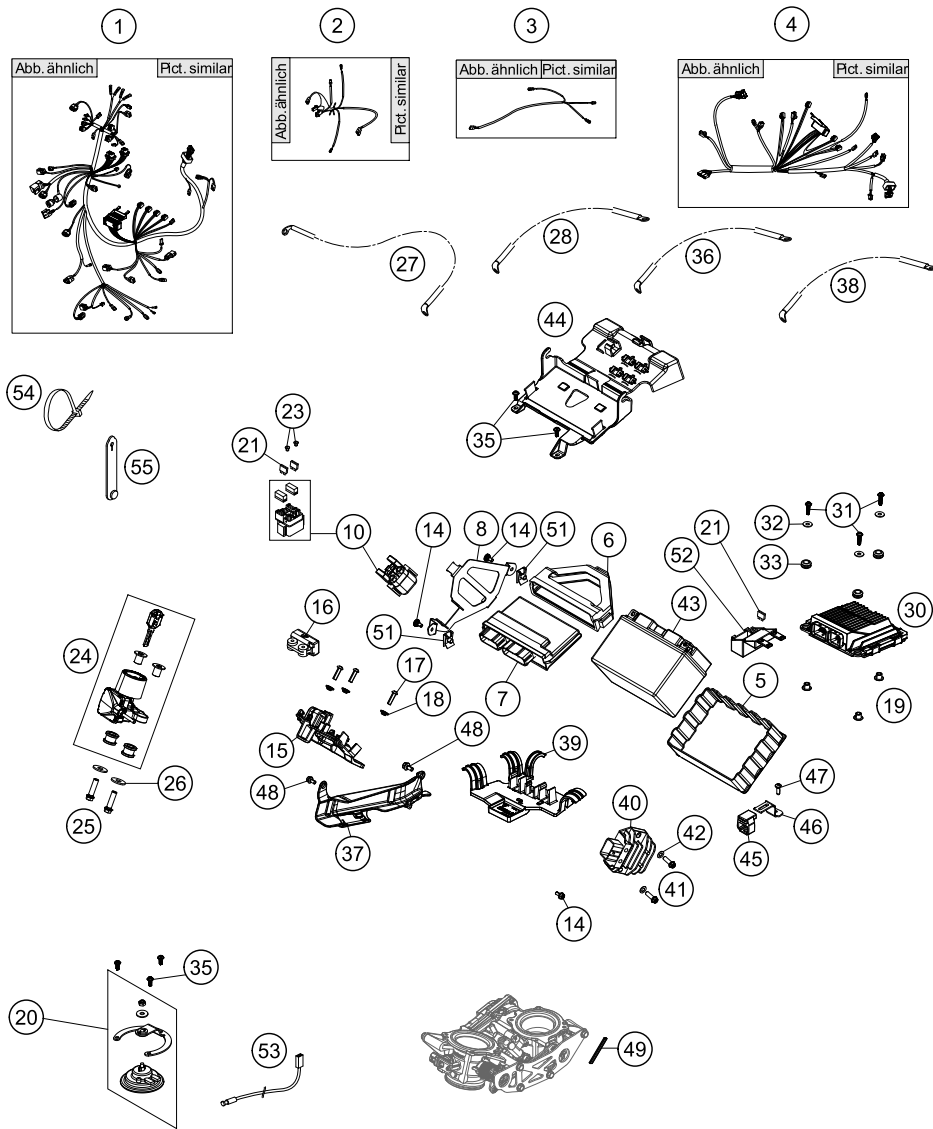
| POS | PARTNUMBER | PARTNAME | PIECE |
|-----|---------------|--|-------|
| 1 | 6061000104430 | REAR WHEEL 4,5X17" CPL. | 1 |
| 3 | 60010011000 | BEAR. SPACERTUBE L=124,8MM 03 | 1 |
| 4 | 0625062052 | GR.BALL BEAR. 6205-2RSHC3HMTF7 | 2 |
| 5 | 0472052200 | CIRCLIP DIN0472-52X2 | 1 |
| 6 | 0760305271 | SHAFT SEAL RING 30X52X7 | 1 |
| 7 | 60310013100 | SPACER BUSH. FRONT WHEEL R/S | 1 |
| 8 | 60010015000 | SPACER RING 03 | 1 |
| 16 | 59009062019 | SPECIAL SCREW M6X19 WS=8 10.9 | 6 |
| 17 | 60142021100 | SENSOR GEAR ABS REAR | 1 |
| 18 | 0980101253 | HEXAG.NUT DIN 980V M10X1,25 SL | 6 |
| 20 | 60010051042 | REAR SPROCKET 42-T 03 | 1 |
| 21 | 60010052000 | SPROCKET SCREW M10X1,25 03 | 6 |
| 23 | 6011005004433 | SPROCKET SUPPORT CPL. BLACK | 1 |
| 24 | 60110012000 | SPACER BUSH. SPROCKET SUPP. 06 | 1 |
| 25 | 60110016000 | NILOS RING 6006AV | 1 |
| 26 | 0625060060 | BALL BEARING 6006 DDU2CG23S6NM | 2 |
| 27 | 60110014000 | SPACER BUSH. SPR. SUPP. IN. 06 | 1 |
| 28 | 54610459000 | RUBBER DAMPING BLOCK '91 | 6 |
| 29 | 6031006000030 | BRAKE DISK REAR | 1 |
| 32 | 60310081044 | AXLE REAR CPL. | 1 |
| 33 | 60010084000 | CHAIN TENSIONER R/S LC8 03 | 1 |
| 34 | 61010086000 | COLLAR NUT M25X1,5 WS=32 05 | 1 |
| 35 | 58414030000 | HH COLLAR NUT M10X1,25 WS=13 | 2 |
| 36 | 50304040100 | SCREW M10X1,25X50 WS=10 | 2 |
| 37 | 60410165118 | CHAIN 525 SDZZ WITH MAST. LINK RIVET TOOL NECESSARY | 1 |
| 38 | 60410066000 | MASTER LINK F.CHAIN 525 SDZZ | x |
| 39 | 61009076100 | VALVE ANGLED | 1 |
| 97 | 00050002013 | DRIVETRAIN KIT ADV/-S 17T/42T | x |
| 98 | 60610015000 | REAR WHEEL REP. KIT ADV. 1050 | x |

156061010

16093

* NEW PART

X ON DEMAND



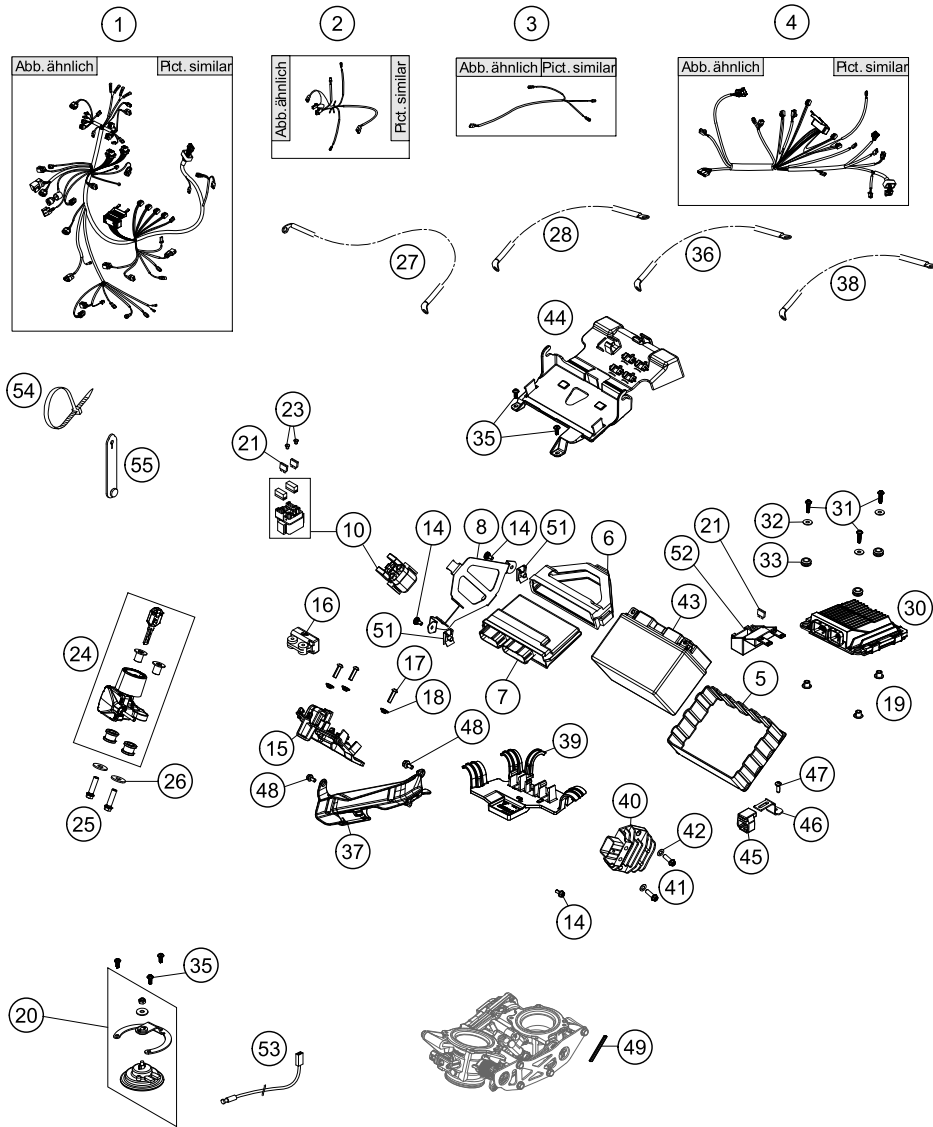
| POS | PARTNUMBER | PARTNAME | PIECE |
|-----|-------------|--------------------------------|-------|
| 1 | 60811075000 | MAIN HARNESS | 1 |
| 2 | 60411085100 | WIRING HARNESS ENGINE | 1 |
| 3 | 60311079000 | WIRING HARNESS HEAD LIGHT | 1 |
| 4 | 60311076000 | REAR WIRING HARNESS | 1 |
| 5 | 60311053050 | BATTERIE HOUSING | 1 |
| 6 | 60341031050 | ECU RUBBER BRACKET | 1 |
| 7 | 61341031300 | Control unit EFI | 1 |
| 8 | 60311057050 | BRACKET ELECTRIC | 1 |
| 10 | 58211058000 | STARTER RELAY 12V '99 | 1 |
| 14 | 69008021160 | SPECIAL SCREW M5X12 | 2 |
| 15 | 60311048100 | SUPPORT BRACKET FRONT | 1 |
| 16 | 61041088000 | ROLLOVER SENSOR 05 | 1 |
| 17 | 0738060201 | FLAT HEAD SCREW ISO7380 M6X20 | 3 |
| 18 | 60611046000 | COLLAR BUSHING 6,5X8,8X12,5X10 | 3 |
| 19 | 69014015000 | BUSHING HEAD LIGHT 08 | 3 |
| 20 | 60311060100 | HORN | 1 |
| 21 | 58011109140 | FUSE 40 A | x |
| 21 | 58011109130 | FUSE 30 A | x |
| 21 | 58011109125 | FUSE 25 A | x |
| 21 | 58011109115 | FUSE 15 A | x |
| 21 | 58011109110 | FUSE 10 A 2000 | x |
| 23 | 0902060083 | AH OVAL SCREW ISO 7380 M 6X8 | 2 |
| 24 | 60311066100 | IGNITION LOCK | 1 |
| 25 | 0025080306S | HH COLLAR SCREW M8X30 TX40 | 2 |
| 26 | 0021080003 | WASHER DIN9021-A 8,4 | 2 |
| 27 | 60311059000 | STARTER CABLE | 1 |
| 28 | 60311098000 | GROUND CABLE | 1 |
| 30 | 60311033200 | MOTORCYCLE CONTROL UNIT 2.1 | 1 |
| 31 | 0081050181 | SCREW FOR PLASTIC K50X18 T20 | 3 |
| 32 | 0021050003 | WASHER DIN9021-A 5,3 | 3 |
| 33 | 60006001022 | RUB.SLEEVE FLOAT CHAMB.VENTING | 3 |
| 35 | 0081050121 | SCREW FOR PLASTIC K50X12 T20 | 5 |
| 36 | 60311097000 | GROUND CABLE | 1 |
| 37 | 60311047000 | CABLE CHANNEL R/S | 1 |
| 38 | 60311059050 | BATTERIE CABLE | 1 |
| 39 | 60311049200 | Plug board rear | 1 |
| 40 | 60311034000 | VOLTAGE REGULATOR | 1 |
| 41 | 0025060206 | HH COLLAR SCREW M6X20 TX30 | 2 |

156061110

16096

* NEW PART

X ON DEMAND



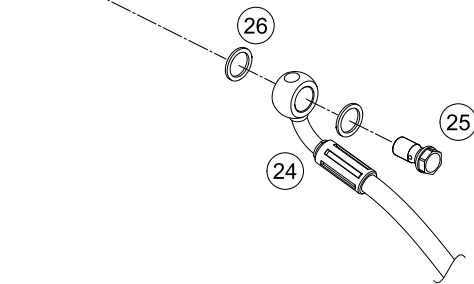
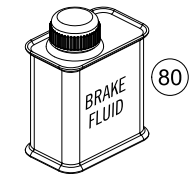
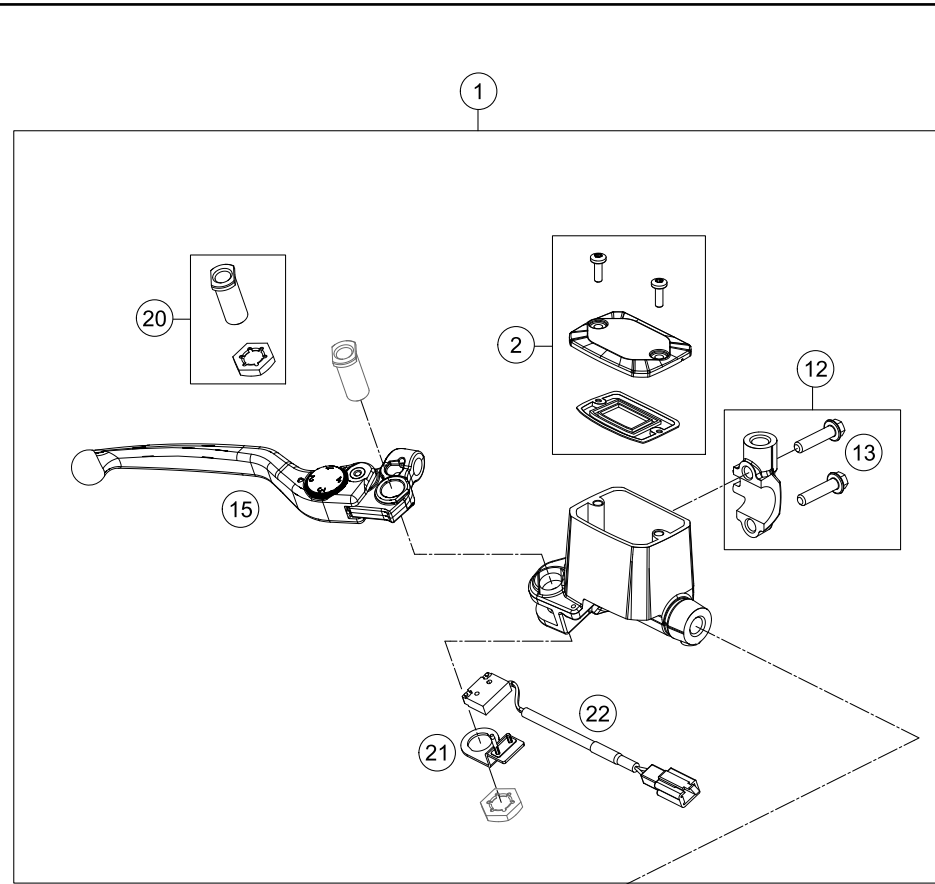
| POS | PARTNUMBER | PARTNAME | PIECE |
|-----|-------------|--------------------------------|-------|
| 42 | 60007020040 | PLASTIC WASHER 03 | 2 |
| 43 | 60011053000 | BATTERY 12V/11AH 03 | 1 |
| 44 | 60308017000 | BATTERIE COVER | 1 |
| 45 | 61041085150 | RUBBER SUPP. PRESSURE SENS. 06 | 1 |
| 46 | 60311040100 | BRACKET PRESSURE SENSOR | 1 |
| 47 | 0081050161 | EJOT PT SCREW K50X16 1451 | 1 |
| 48 | 0023060123 | COLLAR SCREW M6X12 TX | 1 |
| 49 | 61011055045 | EDGE PROTECTOR L=45MM 05 | 2 |
| 51 | 54603048200 | RANGE CHANGE METAL NUT M5 | 2 |
| 52 | 58411087050 | RUBBERCOVER F.LOCKHOLDER | 1 |
| 53 | 61111018100 | TEMPERATURE SENSOR | 1 |
| 54 | 44011076140 | CABLE TIE 140/2,5MM BLACK | x |
| 54 | 44011076200 | CABLE TIE 200/3,6MM BLACK | x |
| 54 | 44011076305 | CABLE TIE 300/4,8MM BLACK | x |
| 55 | 60011093045 | RUBBER CABLE TIE 45MM 03 | x |
| 55 | 60011093060 | RUBBER CABLE TIE 60MM 03 | x |
| 55 | 60011093075 | RUBBER CABLE TIE 75MM 03 | x |

156061110

16096

* NEW PART

X ON DEMAND



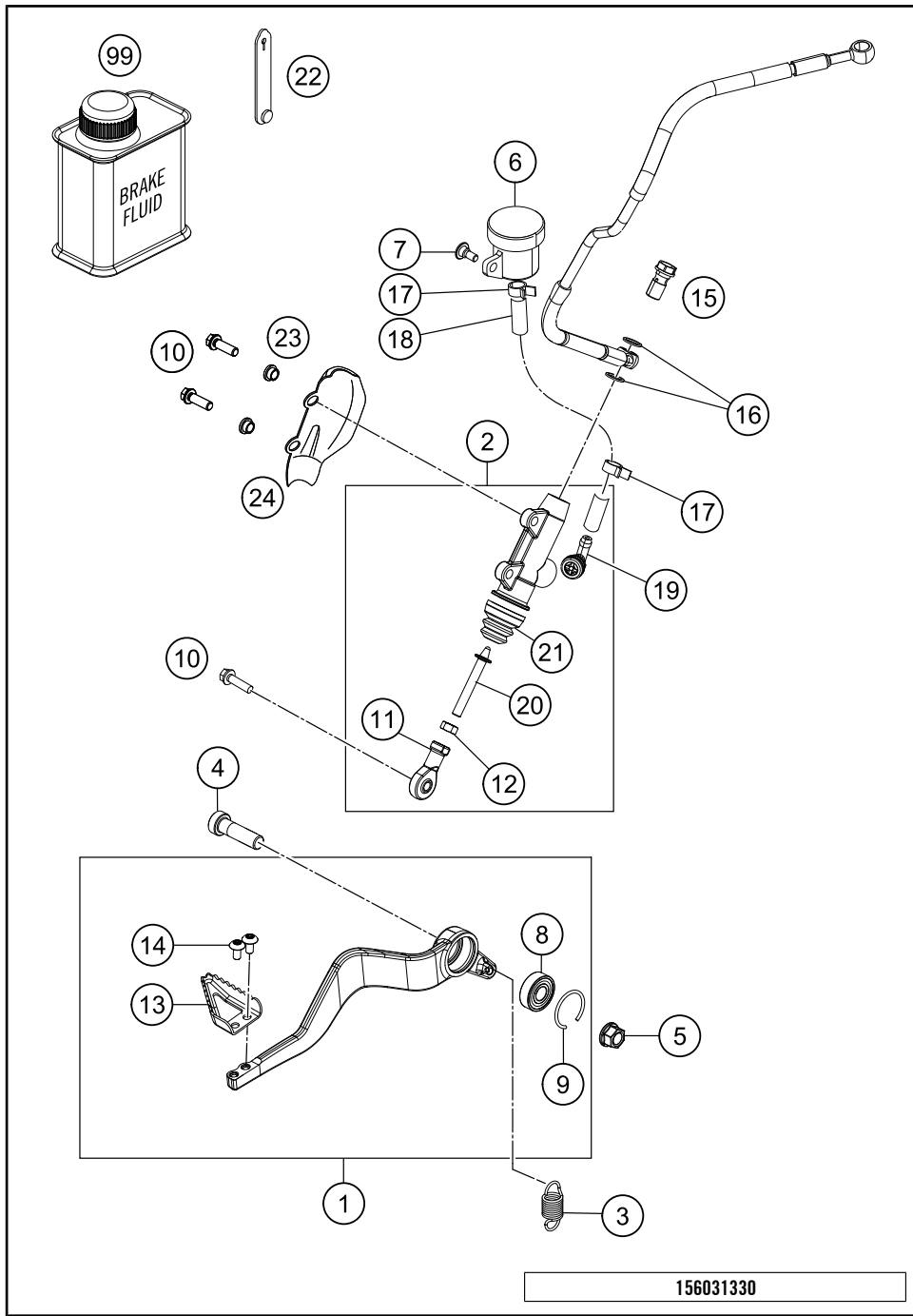
| POS | PARTNUMBER | PARTNAME | PIECE |
|-----|---------------|--------------------------------|-------|
| 1 | 6061300113330 | HAND BRAKE CYLINDER ASSY BLACK | 1 |
| 2 | 76013012000 | COVER HAND BRAKE CYLINDER CPL. | 1 |
| 12 | 76013005000 | CLAMP CPL. | 1 |
| 13 | 0025060256 | HH COLLAR SCREW M6X25 TX30 | 2 |
| 15 | 6061300200030 | HAND BRAKE LEVER LOOSE | 1 |
| 20 | 76013006000 | LEVER SCREW CPL. | 1 |
| 21 | 76011040000 | BRACKET F. BRAKE LIGHT SWITCH | 1 |
| 22 | 60611050000 | BRAKE LIGHT SWITCH FRONT | 1 |
| 24 | 60642003000 | HOSE HAND BRAKE CYLINDER | 1 |
| 25 | 62113020100 | HOLL. SCREW M10X1X19.5 | 1 |
| 26 | 0603100141 | COPPER GASKET DIN7603-10X14X1 | 2 |
| 80 | 00062030000 | BRAKE FLUID DOT5.1 0,25L | 1 |

156061310

16099

* NEW PART

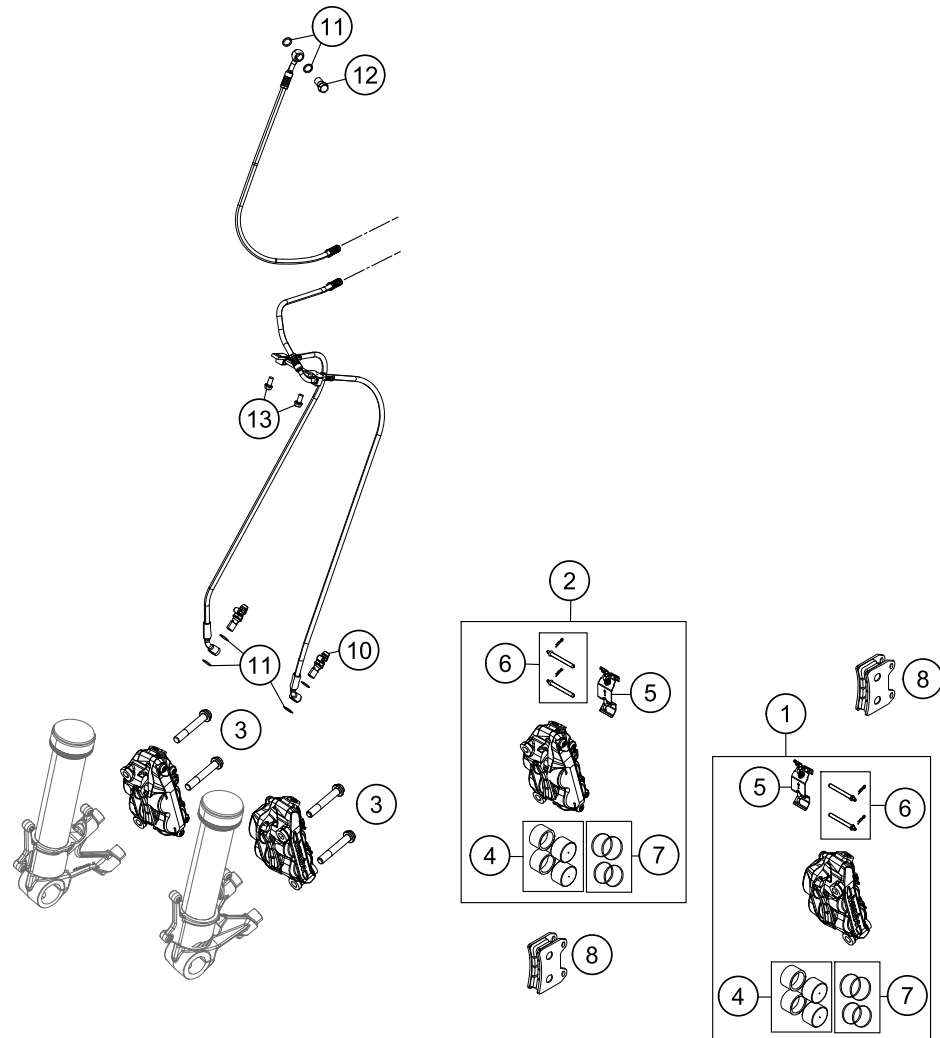
X ON DEMAND



| POS | PARTNUMBER | PARTNAME | PIECE |
|-----|----------------|--------------------------------|-------|
| 1 | 6031305004433S | FOOT BRAKE LEVER KPL. | 1 |
| 2 | 6031306000030 | REAR BRAKE CONTROL | 1 |
| 3 | 54603062100 | RETURN SPRING FOR BRAKE LEVER | 1 |
| 4 | 0032100356S | AH-COLLAR SCREW M10X35 ISA45 | 1 |
| 5 | 54630044000 | COLLAR NUT M10 WS=13 | 1 |
| 6 | 54513030044 | BRAKE FLUID RESERVOIR '89 | 1 |
| 7 | 69013099050 | SCREW F. EXPANSION TANK | 1 |
| 8 | 0625060002 | BALL BEARING SKF 6000-2RS1 | 1 |
| 9 | 0993026500 | LOCK RING DIN7993-B26 | 1 |
| 10 | 0025060206 | HH COLLAR SCREW M6X20 TX30 | 3 |
| 11 | 54603069000 | SWIVEL HEAD M6 FOOT BRAKE LEV. | 1 |
| 12 | 0934060003 | HEXAGON NUT DIN0934-M 6 | 1 |
| 13 | 60313051000 | STEP PLATE FOOT BRAKE LEVER | 1 |
| 14 | 78105081010 | SCREW TORX M5X10 | 2 |
| 15 | 62113020100 | HOLL. SCREW M10X1X19.5 | 1 |
| 16 | 0603100141 | COPPER GASKET DIN7603-10X14X1 | 2 |
| 17 | 58007017000 | YDNAC CLAMP 10101 (10,4MM) | 2 |
| 18 | 69013069001 | HOSE FOR RESERVOIR 6X1,5 | 1 |
| 19 | 54513155000 | ANGLE PIECE | 1 |
| 20 | 60313056044 | PUSH ROD CPL. | 1 |
| 21 | 54513151000 | RUBBER SLEEVE | 1 |
| 22 | 60011093045 | RUBBER CABLE TIE 45MM 03 | 1 |
| 23 | 61342041000 | COLLAR BUSH 6,5X9X18X8,5 | 2 |
| 24 | 54513038000 | BRAKE CYL. PROTECTOR "BREMBO" | 1 |
| 99 | 00062030000 | BRAKE FLUID DOT5.1 0,25L | 1 |

* NEW PART

X ON DEMAND



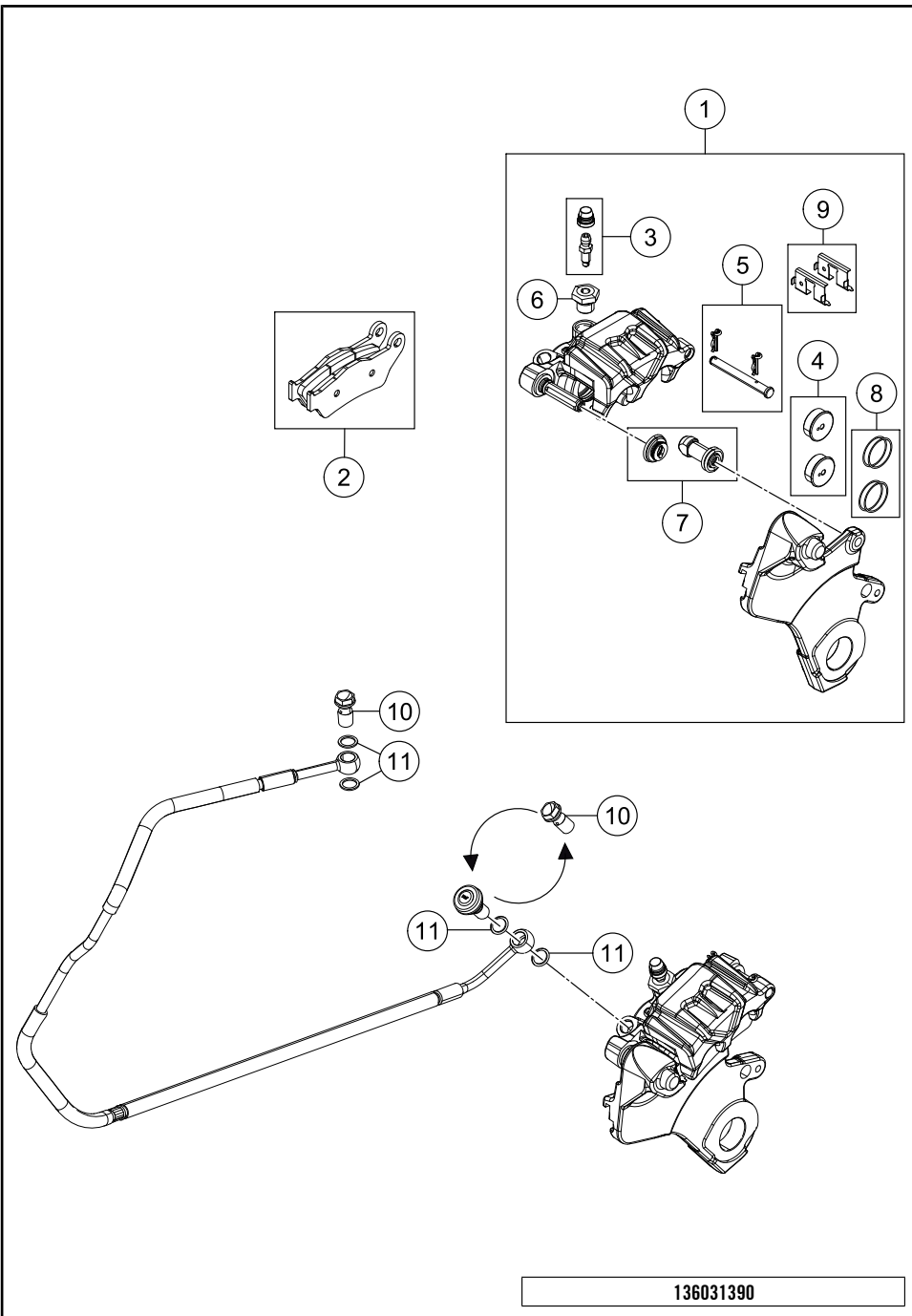
| POS | PARTNUMBER | PARTNAME | PIECE |
|-----|---------------|--------------------------------|-------|
| 1 | 6031301500130 | BRAKE CALIPER FR. L/S W/O PADS | 1 |
| 2 | 6031301600130 | BRAKE CALIPER FR. R/S W/O PADS | 1 |
| 3 | 0035100559S | AH-COLLAR SCREW M10X1,25X55SS | 4 |
| 4 | 76013019000 | BRAKE PISTON CPL. | 2 |
| 5 | 58713018000 | RETAINING SPRING BREMBO '99 | 2 |
| 6 | 58713017000 | BOLT WHITH CLIP '99 | 2 |
| 7 | 76013019050 | REPAIR KIT SEALING RINGS 4X | 2 |
| 8 | 60613030000 | BRAKE PADS FRONT TT2182HH | 2 |
| 10 | 62513020000 | BLEEDER SCREW CPL. 05 | 2 |
| 11 | 0603100141 | COPPER GASKET DIN7603-10X14X1 | 6 |
| 12 | 62113020100 | HOLL. SCREW M10X1X19.5 | 1 |
| 13 | 0025060126 | HH COLLAR SCREW M6X12 TX30 | 2 |

136031360

13214

* NEW PART

X ON DEMAND

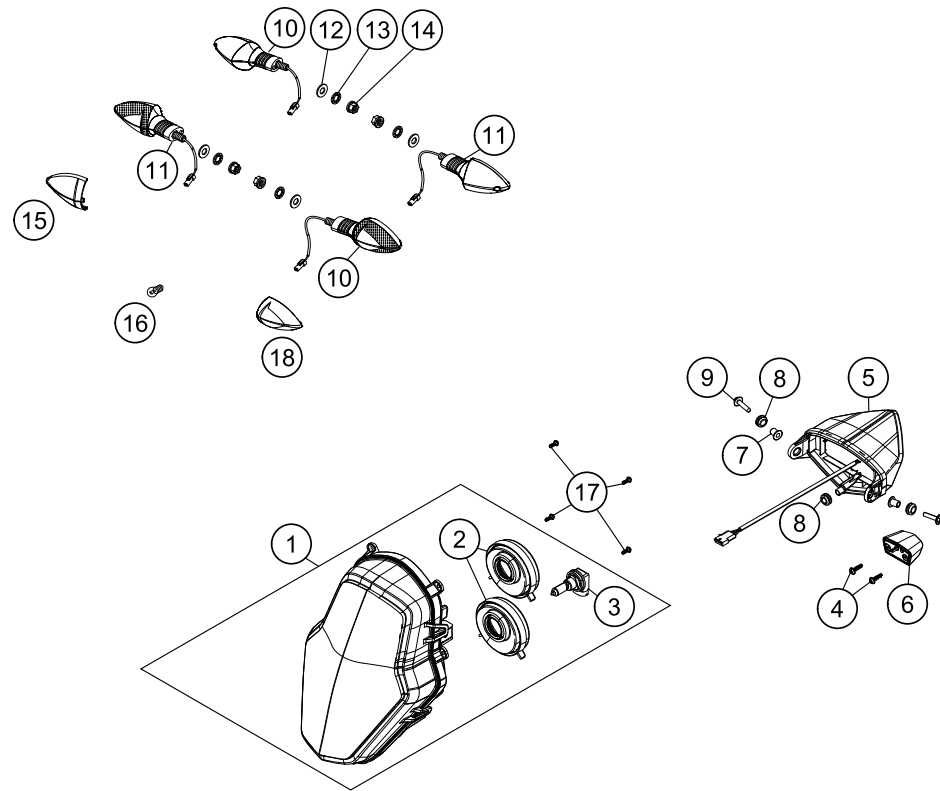


| POS | PARTNUMBER | PARTNAME | PIECE |
|-----|---------------|-------------------------------|-------|
| 1 | 6031308010130 | BRAKE CALIPER REAR W/O PADS | 1 |
| 2 | 50313030000 | BRAKE PAD SET FR. TOSHIBA H38 | 1 |
| 3 | 60013020200 | BLEEDER SCREW WITH CAP M6 | 1 |
| 4 | 60013083200 | BRAKE PISTONS 05 | 1 |
| 5 | 77013017000 | BOLT CPL. 09 | 1 |
| 6 | 60013020100 | ADAPTER SCREW | 1 |
| 7 | 54613218000 | CUP SET SHORT | 1 |
| 8 | 60013081000 | REP.KIT SEALING RINGS | 1 |
| 9 | 60013018100 | RETAINING PLATE SET REAR 03 | 1 |
| 10 | 62113020100 | HOLL. SCREW M10X1X19.5 | 2 |
| 11 | 0603100141 | COPPER GASKET DIN7603-10X14X1 | 4 |

136031390

13216

* NEW PART X ON DEMAND



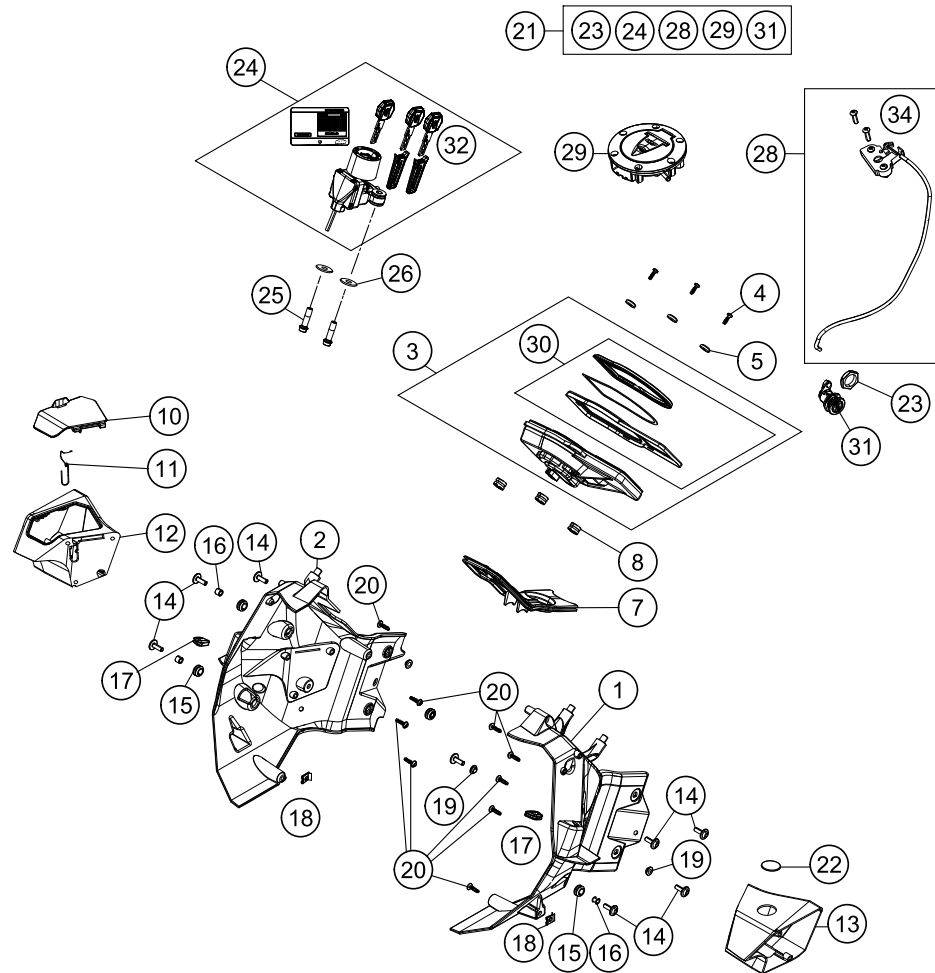
| POS | PARTNUMBER | PARTNAME | PIECE |
|-----|-------------|--------------------------------|-------|
| 1 | 60314001100 | HEAD LIGHT TFL | 1 |
| 2 | 60314001050 | CAP H11 | 2 |
| 3 | 60314003000 | LAMP H11 12V 55W | 2 |
| 4 | 0081050121 | SCREW FOR PLASTIC K50X12 T20 | 2 |
| 5 | 60314040000 | REAR LIGHT | 1 |
| 6 | 60314047000 | NUMBER PLATE LIGHT | 1 |
| 7 | 60308006000 | COLLAR BUSHING 6,2X9,2X15X12,5 | 2 |
| 8 | 60006001022 | RUB.SLEEVE FLOAT CHAMB.VENTING | 3 |
| 9 | 0024060256 | HH COLLAR SCREW M6X25 TX30 | 2 |
| 10 | 78114025000 | FLASHER CPL.FRONT L/S REAR R/S | 2 |
| 11 | 78114026000 | FLASHER CPL.FRONT R/S REAR L/S | 2 |
| 12 | 0433100003 | WASHER 18x10,5x1,6 | 4 |
| 13 | 0797100003 | LOCK WASHER DIN6797-J10,5 ZI | 4 |
| 14 | 58414030000 | HH COLLAR NUT M10X1,25 WS=13 | 4 |
| 15 | 78114028000 | FLASHER LENS L/S R/S TRANSP. | 2 |
| 16 | 60114027000 | BULB 12V ORANGE (RY10W) | 4 |
| 17 | 0081045121 | SCREW FOR PLASTIC K45X12 T20 | 4 |
| 18 | 78114027000 | FLASHER LENS FRO.L/S-REAR R/S | 2 |

176081410

18114

* NEW PART

X ON DEMAND



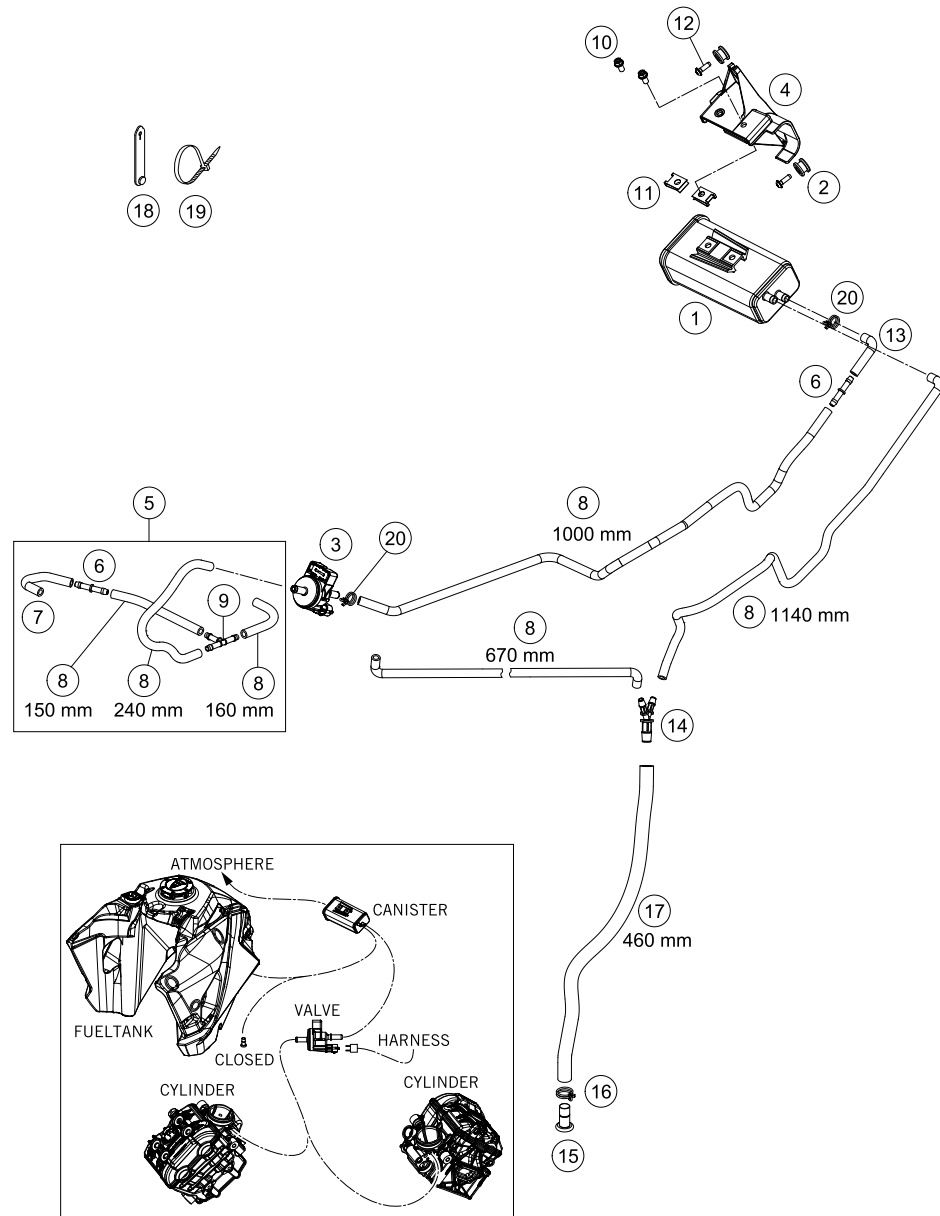
| POS | PARTNUMBER | PARTNAME | PIECE |
|-----|-------------|--------------------------------|-------|
| 1 | 60314010000 | COCKPIT SUPPORT L/S | 1 |
| 2 | 60314011000 | COCKPIT SUPPORT R/S | 1 |
| 3 | 60414069000 | SPEEDOMETER | 1 |
| 4 | 0081250141 | SCREW FOR PLASTIC PT K50X14T25 | 3 |
| 5 | 60308045000 | SPECIAL WASHER 4.5X16 | 3 |
| 7 | 60314012000 | IGNITION LOCK CAP | 1 |
| 8 | 61314069051 | DAMP. COMPONENT SPEEDOMETER | 3 |
| 10 | 60314079000 | STORAGE BOX COVER | 1 |
| 11 | 60314080000 | STORAGE BOX SPRING | 1 |
| 12 | 60314078100 | STORAGE BOX | 1 |
| 13 | 60314070100 | COCKPIT COVER LEFT | 1 |
| 14 | 69014017000 | SPECIAL SCREW M6X18 ISA30 08 | 8 |
| 15 | 60006001022 | RUB.SLEEVE FLOAT CHAMB.VENTING | 4 |
| 16 | 69014014000 | BUSHING 6,1X9,2X7,5 08 | 4 |
| 17 | 60308008057 | RUBBER SLEEVE | 2 |
| 18 | 54603048400 | RANGE CHANGE MET. NUT M5 15460 | 2 |
| 19 | 69004060050 | BUSHING CHAIN GUARD 08 | 4 |
| 20 | 0081050181 | SCREW FOR PLASTIC K50X18 T20 | 9 |
| 21 | 60311066344 | LOCK SYSTEM GKS CPL. | 1 |
| 22 | 60614013000 | CLOSING PLUG 28MM | 1 |
| 23 | 69007050050 | NUT SEAT LOCK M22X1,5 | 1 |
| 24 | 60311066100 | IGNITION LOCK | 1 |
| 25 | 0025080306S | HH COLLAR SCREW M8X30 TX40 | 2 |
| 26 | 0021080003 | WASHER DIN9021-A 8,4 | 2 |
| 28 | 60307050000 | SEAT LOCK CPL. | 1 |
| 29 | 60307008100 | TANK CAP | 2 |
| 30 | 60314069050 | SPEEDOMETER FRAME CPL. | 1 |
| 31 | 60307050020 | LOCK CYLINDER SEAT LOCK | 1 |
| 32 | 60411067000 | KTM ignition key | 1 |
| 34 | 0738060201 | FLAT HEAD SCREW ISO7380 M6X20 | 2 |

166061430

17263

* NEW PART

X ON DEMAND



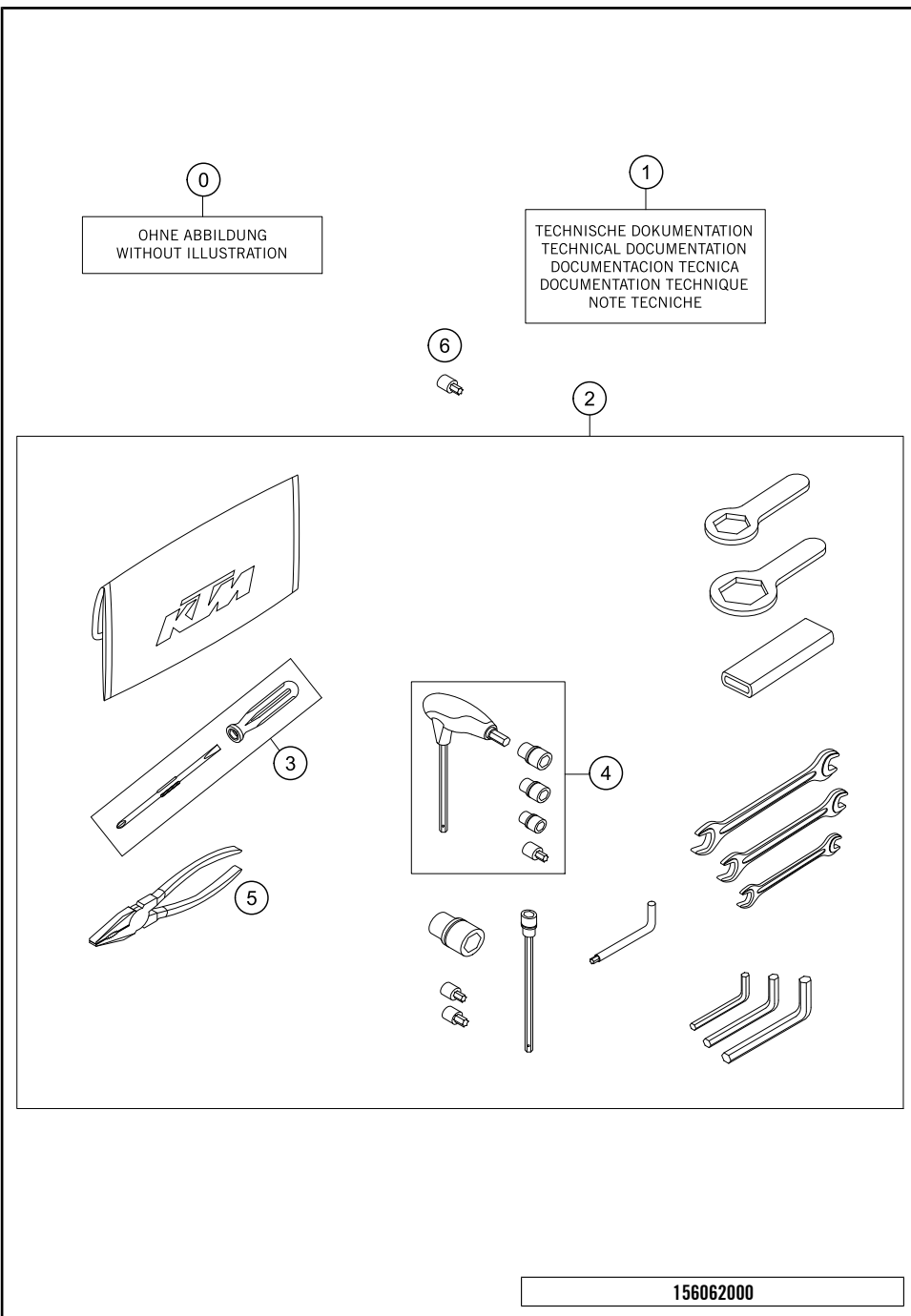
| POS | PARTNUMBER | PARTNAME | PIECE |
|-----|-------------|--------------------------------|-------|
| 1 | 75015001200 | CARBON CANISTER | 1 |
| 2 | 60039030000 | VIBRATION DAMPER DIGITALBOX 03 | 2 |
| 3 | 76015015000 | VALVE EVAP | 1 |
| 4 | 60715002000 | Support | 1 |
| 5 | 60715020033 | Hose | 1 |
| 6 | 69015019010 | HOSE CONNECTION STRAIGHT | 2 |
| 7 | 61415021000 | HOSE PURGE VALVE | 1 |
| 8 | 78015019000 | HOSE EPA D=6/10 L=2000MM | 1 |
| 9 | 60015022000 | T-CONNECTOR TS-6 03 | 1 |
| 10 | 0025060126 | HH COLLAR SCREW M6X12 TX30 | 2 |
| 11 | 54603048100 | RANGE CHANGE METAL NUT M6 | 2 |
| 12 | 0081050161 | EJOT PT SCREW K50X16 1451 | 2 |
| 13 | 61315022000 | PREFORMED HOSE 6X10 FPM | 1 |
| 14 | 61315028100 | Y-CONNECTOR YS 6-10-6 | 1 |
| 15 | 61315026000 | PLUG D=10 | 1 |
| 16 | 58431082100 | YDNAC-CLAMP 10173 (16MM) '98 | 1 |
| 17 | 78015119000 | HOSE EPA D=10/16 L=2000MM | 1 |
| 18 | 60011093075 | RUBBER CABLE TIE 75MM 03 | 1 |
| 19 | 44011076140 | CABLE TIE 140/2,5MM BLACK | x |
| 20 | 59007017000 | CLAMP YDNAC 10096F (9,6MM) | 2 |

176081510

18115

* NEW PART

X ON DEMAND



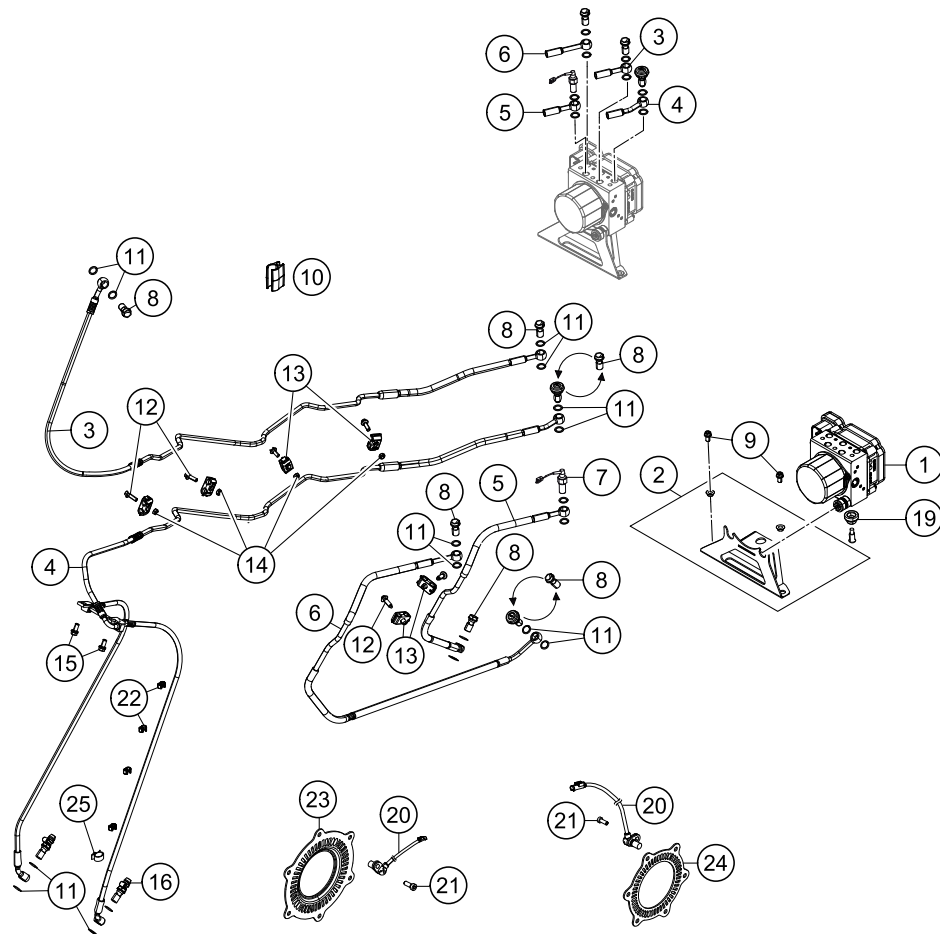
156062000

| POS | PARTNUMBER | PARTNAME | PIECE |
|-----|---------------|--------------------------------|-------|
| 0 | 00063004105 | 950 ADV. CARTON F WIND PROT. | 1 |
| 0 | 60308008100 | WINDSCREEN EU | 1 |
| 0 | 00063099111 | BAG FOR INSTR. MANUAL 245X170 | 1 |
| 0 | 69008021160 | SPECIAL SCREW M5X12 | 4 |
| 0 | 58412080200 | REFLECTOR RED "CEV" | 1 |
| 0 | 58412080050 | BRACKET FOR REFLECTOR | 1 |
| 0 | 40006006000 | WASHER 6MM | 2 |
| 0 | 0966050163 | OVAL HEAD SCREW DIN0966-M 5X16 | 2 |
| 0 | 0125050003 | WASHER DIN0125-A 5,3 | 2 |
| 0 | 0985050003 | SELF LOCKING NUT DIN0985-M 5 | 2 |
| 0 | 312305 | DOCUMENTS BAG 2006 | 1 |
| 0 | 3210040 | CUSTOMER WELCOME LETTER | 1 |
| 0 | 312313 | KTM BALLPOINT PEN ORANGE | 1 |
| 0 | 00063004202 | PRINT LABEL 60X51 MM | 1 |
| 0 | 60012081200 | LICENCE FITTING 06 | 1 |
| 0 | 0024060156 | HH COLLAR SCREW M6X15 TX30 | 2 |
| 0 | 0021060003 | WASHER DIN9021-A 6,4 | 2 |
| 0 | 0985060003 | SELF LOCK. NUT DIN0985-M 6 | 4 |
| 0 | 0125060003 | WASHER DIN0125-A 6,4 | 2 |
| 0 | 45239060050 | COLLAR BUSHING 6,3X8X13X9,5 | 2 |
| 0 | 60312040100 | MIRROR | 2 |
| 0 | 6030319000030 | SKID PLATE ADV | 1 |
| 0 | 45239060050 | COLLAR BUSHING 6,3X8X13X9,5 | 2 |
| 0 | 60003096000 | VIBRATION DAMPER 03 | 2 |
| 0 | 0025060406 | HH COLLAR SCREW M6X40 TX30 | 2 |
| 0 | 3212683ENE | PW STREET FOLDER 2016 | 1 |
| 0 | 3212633DE/GB | PP ADVENTURE CHAPTER FOLDER 15 | 1 |
| 0 | 00063004012 | HEADLIGHT MASK BOX | 1 |
| 1 | 3213545EN | Own. manual 1090 Adventure 17 | 1 |
| 2 | 60329099000 | TOOL KIT | 1 |
| 3 | 53012024100 | SCREW DRIVER L=105MM | 1 |
| 4 | 60029070300 | T-WRENCH WS=6/8/10/TX45/SK4X1 | 1 |
| 5 | 53012028200 | GRIP ORANGE B&F | 1 |
| 6 | 60629099010 | HEXGON SOCKET BIT 5 MM | 1 |

16105

* NEW PART

X ON DEMAND



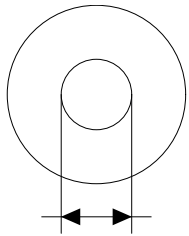
| POS | PARTNUMBER | PARTNAME | PIECE |
|-----|--------------|--------------------------------|-------|
| 1 | 60842031044 | ABS Module 2016 filled | 1 |
| 2 | 60642040044 | BRACKET ABS MODULE CPL. | 1 |
| 3 | 60642003000 | HOSE HAND BRAKE CYLINDER | 1 |
| 4 | 60342004000 | HOSE BRAKE CALIPER FRONT | 1 |
| 5 | 60342001000 | BRAKE HOSE REAR BRAKE CONTROL | 1 |
| 6 | 60342002000 | HOSE BRAKE CALIPER REAR | 1 |
| 7 | 60311051000 | BRAKE LIGHT SWITCH REAR | 1 |
| 8 | 62113020100 | HOLL. SCREW M10X1X19.5 | 6 |
| 9 | 0025060166 | HH COLLAR SCREW M6X16 TX30 | 2 |
| 10 | 54813026000 | CABLE SUPPORT 10/6MM 06 | 1 |
| 11 | 0603100141 | COPPER GASKET DIN7603-10X14X1 | 18 |
| 12 | 0024050166 | HH COLLAR SCREW M5X16 TX30 | 6 |
| 13 | 60113146000 | SUPPORT FOR BRAKE HOSE M5 | 6 |
| 14 | 0985050003 | SELF LOCKING NUT DIN0985-M 5 | 6 |
| 15 | 0025060126 | HH COLLAR SCREW M6X12 TX30 | 2 |
| 16 | 62513020000 | BLEEDER SCREW CPL. 05 | 2 |
| 19 | 60342041000 | DAMP RUBBER | 1 |
| 20 | 76042125000 | ABS-SENSOR | 2 |
| 21 | 014580060166 | CYL. SCREW DIN14580 M 6X16 | 2 |
| 22 | 60111094000 | CLIP 5/7 MM 06 | 4 |
| 23 | 60342020000 | SENSOR GEAR ABS | 1 |
| 24 | 60142021100 | SENSOR GEAR ABS REAR | 1 |
| 25 | 58111076000 | CABLE SUPPORT KHS NR.150-47610 | 2 |

146034210

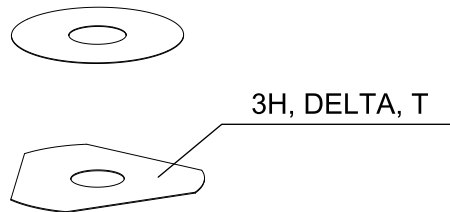
14584

* NEW PART

X ON DEMAND



- ⑤ Ø 5 mm
- ⑥ Ø 6 mm
- ⑧ Ø 8 mm
- ⑩ Ø 10 mm
- ⑫ Ø 12 mm
- ⑭ Ø 14-14,5 mm
- ⑯ Ø 16 mm
- ⑰ Ø 20 mm
- ⑱ Ø 21 mm
- ⑳ Ø 22 mm
- ㉑ Ø 23 mm
- ㉒ Ø 24,5 mm
- ㉔ Ø 28,5 mm
- ㉖ Ø 32 mm
- ㉘ Ø 52 mm



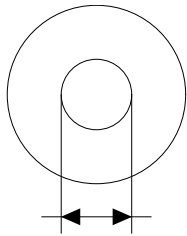
| POS | PARTNUMBER | PARTNAME | PIECE |
|-----|------------|---------------------|-------|
| 5 | 44906890 | WASHER 5X15X2 | X |
| 6 | 40540400 | SHIM 6X12X0,1 | X |
| 6 | 40540401 | SHIM 6X14X0,1 | X |
| 6 | 40540402 | SHIM 6X16X0,1 | X |
| 6 | 40540403 | SHIM 6X18X0,1 | X |
| 6 | 40540404 | SHIM 6X12X0,15 | X |
| 6 | 40540405 | SHIM 6X14X0,15 | X |
| 6 | 40540406 | SHIM 6X16X0,15 | X |
| 6 | 40540407 | SHIM 6X18X0,15 | X |
| 6 | 40540408 | SHIM 6X12X0,2 | X |
| 6 | 40540409 | SHIM 6X14X0,2 | X |
| 6 | 40540410 | SHIM 6X16X0,2 | X |
| 6 | 40540411 | SHIM 6X18X0,2 | X |
| 6 | 48600095 | SHIM 6X20X0,20 | X |
| 6 | 40540412 | SHIM 6X12X0,25 | X |
| 6 | 40540413 | SHIM 6X14X0,25 | X |
| 6 | 40540414 | SHIM 6X16X0,25 | X |
| 6 | 40540415 | SHIM 6X18X0,25 | X |
| 6 | 40540417 | SHIM 6X8,5X0,10 | X |
| 6 | 40540418 | SHIM 6X9X0,10 | X |
| 6 | 40540419 | SHIM 6X9,5X0,10 | X |
| 6 | 40540423 | SHIM 6X9,5X0,15 | X |
| 6 | 40540425 | SHIM 6X8,5X0,20 | X |
| 6 | 40540426 | SHIM 6X9X0,20 | X |
| 6 | 40540427 | SHIM 6X9,5X0,20 | X |
| 6 | 40540447 | SHIM 6X10X0,3 | X |
| 6 | 40540449 | SHIM 6X9X0,3 | X |
| 6 | 40540450 | SHIM 6X9,5X0,3 | X |
| 6 | 40540494 | SHIM 6X18X0,4 | X |
| 6 | 40540774 | SHIM 6X18X0,1 DELTA | X |
| 6 | 40541383 | SHIM 6X11X0,1 | X |
| 6 | 40541391 | SHIM 6X11X0,3 | X |
| 6 | 40541402 | SHIM 6X11X0,2 | X |
| 6 | 40541403 | SHIM 6X10X0,20 | X |
| 6 | 40541404 | SHIM 6X10X0,1 | X |
| 6 | 40541405 | SHIM 6X10X0,15 | X |
| 6 | 40541406 | SHIM 6X11X0,15 | X |
| 6 | 40541408 | SHIM 6X8,0X0,30 | X |

080000190

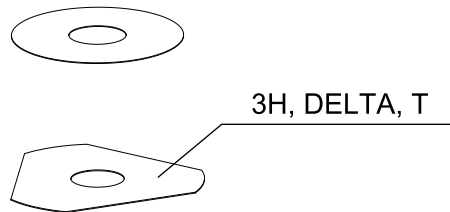
4668

* NEW PART

X ON DEMAND



- ⑤ Ø 5 mm
- ⑥ Ø 6 mm
- ⑧ Ø 8 mm
- ⑩ Ø 10 mm
- ⑫ Ø 12 mm
- ⑭ Ø 14-14,5 mm
- ⑯ Ø 16 mm
- ⑳ Ø 20 mm
- ㉑ Ø 21 mm
- ㉒ Ø 22 mm
- ㉓ Ø 23 mm
- ㉔ Ø 24,5 mm
- ㉘ Ø 28,5 mm
- ㉚ Ø 32 mm
- ㉜ Ø 52 mm



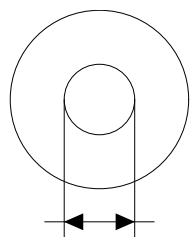
| POS | PARTNUMBER | PARTNAME | PIECE |
|-----|------------|----------------------|-------|
| 6 | 40541414 | SHIM 6X8,0X0,10 | X |
| 6 | 40541416 | SHIM 6X8X0,3 | X |
| 6 | 40541417 | SHIM 6X11X0,25 | X |
| 6 | 48600102 | SHIM 6X24X0,25 | X |
| 6 | 48600063 | SHIM 6X24X0,1 | X |
| 6 | 48600064 | SHIM 6X22X0,1 | X |
| 6 | 48600065 | SHIM 6X20X0,1 | X |
| 6 | 48600069 | SHIM 6X20X0,15 | X |
| 6 | 48600100 | SHIM 6X24X0,15 | X |
| 6 | 48600116 | SHIM 6X24X0,1 DELTA | X |
| 6 | 48600139 | SHIM 6X22X0,1 DELTA | X |
| 6 | 48600217 | BACKPLATE 6X10X0,25 | X |
| 6 | 48600325 | SHIM 6X13X0,1 | X |
| 6 | 48600327 | SHIM 6X15X0,1 | X |
| 6 | 48600329 | SHIM 6X17X0,1 | X |
| 6 | 48600331 | SHIM 6X19X0,1 | X |
| 6 | 48600096 | SHIM 6X20X0,25 | X |
| 6 | 48600097 | SHIM 6X22X0,15 | X |
| 6 | 48600099 | SHIM 6X22X0,25 | X |
| 6 | 40540448 | BACKPLATE 6X8,5X0,30 | X |
| 6 | 48600479 | SHIM 6X20X0,1 T/3H | X |
| 6 | 48600332 | SHIM 6X21X0,1 | X |
| 6 | 48600333 | SHIM 6X23X0,1 | X |
| 6 | 40541393 | SHIM 6X12X0,3 | X |
| 6 | 48600330 | SHIM 6X17X0,15 | X |
| 6 | 48600988 | SHIM 6X28X0,10 | X |
| 6 | 48600989 | SHIM 6X26X0,10 | X |
| 6 | 48601091 | SHIM 6X28X0,15 | X |
| 6 | 48601093 | SHIM 6X26X0,15 | X |
| 6 | 48600328 | SHIM 6X15X0,15 | X |
| 6 | 48600326 | SHIM 6X13X0,15 | X |
| 6 | 48601548 | SHIM 6X17X1,5 | X |
| 6 | 48601693 | SHIM 6X18X3 | X |
| 6 | 48600098 | SHIM 6X22X0,20 | X |
| 6 | 48601300 | WASHER 6X25X1,5 | X |
| 6 | 48601692 | SHIM 6X30X0,15 | X |
| 6 | 48601550 | SHIM 6X30X0,10 | X |
| 6 | 40541392 | * SHIM 6X8X0,2 | X |

080000190

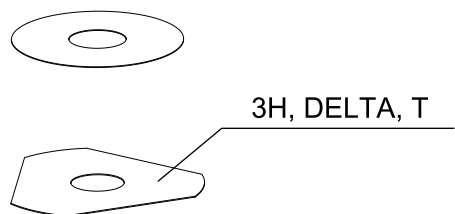
4668

* NEW PART

X ON DEMAND



- ⑤ Ø 5 mm
- ⑥ Ø 6 mm
- ⑧ Ø 8 mm
- ⑩ Ø 10 mm
- ⑫ Ø 12 mm
- ⑭ Ø 14-14,5 mm
- ⑯ Ø 16 mm
- ⑰ Ø 20 mm
- ⑱ Ø 21 mm
- ⑳ Ø 22 mm
- ㉑ Ø 23 mm
- ㉒ Ø 24,5 mm
- ㉔ Ø 28,5 mm
- ㉖ Ø 32 mm
- ㉘ Ø 52 mm



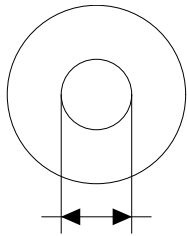
| POS | PARTNUMBER | PARTNAME | PIECE |
|-----|------------|------------------------|-------|
| 8 | 40540477 | SHIM 8X18X0,4 | X |
| 8 | 43570120 | SHIM 8X18X0,10 | X |
| 8 | 44916098 | WASHER 8,4X16X0,8 | X |
| 8 | 44916130 | WASHER 8,2X15X1 | X |
| 8 | 44916180 | WASHER 8,2X11X1 | X |
| 8 | 48600214 | SHIM 8X16X0,1 | X |
| 8 | 48600385 | SHIM 8x14x0,25 | X |
| 8 | 48600346 | SHIM 8X11X0,2 | X |
| 8 | 48600215 | CHECK VALVE 8X20X0,1 | X |
| 8 | 48600485 | SHIM 8X10X0,10 | X |
| 8 | 48601402 | SHIM 8X13X0,10 | X |
| 8 | 48600350 | CHECK VALVE 8X16X0,15 | X |
| 8 | 48600061 | CHECK VALVE 8X24X0,4 | X |
| 8 | 48600062 | CHECK VALVE 8X24X0,1 | X |
| 8 | 48600216 | CHECK VALVE 8X22X0,1 | X |
| 8 | 48600480 | SHIM 8X10X0,20 | X |
| 8 | 48600555 | SHIM 8X16X0,20 | X |
| 8 | 48600213 | SHIM 8X14X0,10 | X |
| 8 | 48600357 | CHECK VALVE 8X11X0,1 | X |
| 8 | 48600351 | CHECK VALVE 8X12X0,1 | X |
| 8 | 48600607 | Steering damper washer | X |
| 8 | 48601095 | SHIM 8X17X0,10 | X |
| 8 | 48600352 | CHECK VALVE 8X11X0,4 | X |
| 8 | 48601860 | Scheibe 8x11x0,15 | X |
| 10 | 36120284 | SHIM 10X16X0,10 | X |
| 10 | 36120298 | SHIM 10X16X0,2 | X |
| 10 | 36120312 | SHIM 10X16X0,30 | X |
| 10 | 36120314 | SHIM 10X18X0,30 | X |
| 10 | 36120325 | SHIM 10X19X0,15 | X |
| 10 | 36120327 | SHIM 10X23X0,15 | X |
| 10 | 36120328 | SHIM 10X25X0,15 | X |
| 10 | 36120329 | SHIM 10X27X0,15 | X |
| 10 | 36120330 | SHIM 10X29X0,15 | X |
| 10 | 36120331 | SHIM 10X31X0,15 | X |
| 10 | 36120332 | SHIM 10X33X0,15 | X |
| 10 | 36120334 | SHIM 10X21X0,20 | X |
| 10 | 36120335 | SHIM 10X23X0,20 | X |
| 10 | 36120336 | SHIM 10X25X0,20 | X |

080000190

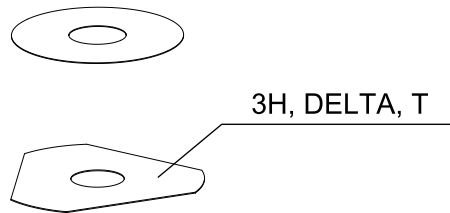
4668

* NEW PART

X ON DEMAND



- ⑤ Ø 5 mm
- ⑥ Ø 6 mm
- ⑧ Ø 8 mm
- ⑩ Ø 10 mm
- ⑫ Ø 12 mm
- ⑭ Ø 14-14,5 mm
- ⑯ Ø 16 mm
- ⑳ Ø 20 mm
- ㉑ Ø 21 mm
- ㉒ Ø 22 mm
- ㉓ Ø 23 mm
- ㉔ Ø 24,5 mm
- ㉘ Ø 28,5 mm
- ㉚ Ø 32 mm
- ㉜ Ø 52 mm



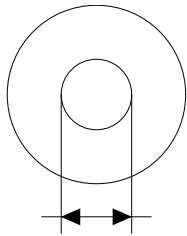
| POS | PARTNUMBER | PARTNAME | PIECE |
|-----|------------|-------------------|-------|
| 10 | 36120337 | SHIM 10X27X0,20 | X |
| 10 | 36120338 | SHIM 10X29X0,20 | X |
| 10 | 36120339 | SHIM 10X31X0,20 | X |
| 10 | 36120340 | SHIM 10X33X0,20 | X |
| 10 | 36120342 | SHIM 10X21X0,25 | X |
| 10 | 36120343 | SHIM 10X23X0,25 | X |
| 10 | 36120344 | SHIM 10X25X0,25 | X |
| 10 | 36120345 | SHIM 10X27X0,25 | X |
| 10 | 36120349 | SHIM 10X19X0,30 | X |
| 10 | 36120350 | SHIM 10X21X0,30 | X |
| 10 | 36120313 | SHIM 10X17X0,30 | X |
| 10 | 36120354 | SHIM 10X29X0,30 | X |
| 10 | 40140275 | WASHER 10X35X0,15 | X |
| 10 | 48601708 | SHIM 10X30X0,40 | X |
| 10 | 36120346 | SHIM 10X29X0,25 | X |
| 10 | 36120355 | SHIM 10X31X0,30 | X |
| 10 | 36120348 | SHIM 10X33X0,25 | X |
| 10 | 36120604 | SHIM D10XD22X2,5 | X |
| 12 | 46810490 | SHIM 12X24X0,20 | X |
| 12 | 46810491 | SHIM 12X26X0,20 | X |
| 12 | 46810492 | SHIM 12X28X0,20 | X |
| 12 | 46810493 | SHIM 12X30X0,20 | X |
| 12 | 46810494 | SHIM 12X32X0,20 | X |
| 12 | 46810495 | SHIM 12X34X0,20 | X |
| 12 | 46810496 | SHIM 12X36X0,20 | X |
| 12 | 46810497 | SHIM 12X38X0,20 | X |
| 12 | 46810498 | SHIM 12X40X0,20 | X |
| 12 | 46810499 | SHIM 12X24X0,25 | X |
| 12 | 46810500 | SHIM 12X26X0,25 | X |
| 12 | 46810501 | SHIM 12X28X0,25 | X |
| 12 | 46810502 | SHIM 12X30X0,25 | X |
| 12 | 46810504 | SHIM 12X34X0,25 | X |
| 12 | 46810505 | SHIM 12X36X0,25 | X |
| 12 | 46810507 | SHIM 12X40X0,25 | X |
| 12 | 46810508 | SHIM 12X24X0,30 | X |
| 12 | 46810509 | SHIM 12X26X0,30 | X |
| 12 | 46810510 | SHIM 12X28X0,30 | X |
| 12 | 46810512 | SHIM 12X32X0,30 | X |

080000190

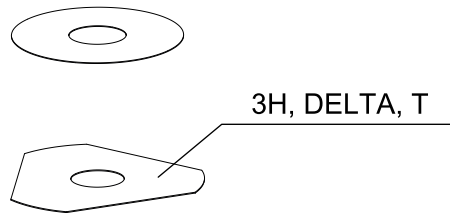
4668

* NEW PART

X ON DEMAND



- ⑤ Ø 5 mm
- ⑥ Ø 6 mm
- ⑧ Ø 8 mm
- ⑩ Ø 10 mm
- ⑫ Ø 12 mm
- ⑭ Ø 14-14,5 mm
- ⑯ Ø 16 mm
- ⑳ Ø 20 mm
- ㉑ Ø 21 mm
- ㉒ Ø 22 mm
- ㉓ Ø 23 mm
- ㉔ Ø 24,5 mm
- ㉘ Ø 28,5 mm
- ㉚ Ø 32 mm
- ㉜ Ø 52 mm



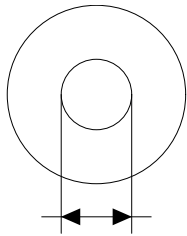
| POS | PARTNUMBER | PARTNAME | PIECE |
|-----|------------|----------------------|-------|
| 12 | 46810513 | SHIM 12X34X0,30 | X |
| 12 | 46810518 | SHIM 12X26X0,15 | X |
| 12 | 46810519 | SHIM 12X28X0,15 | X |
| 12 | 46810520 | SHIM 12X30X0,15 | X |
| 12 | 46810521 | SHIM 12X32X0,15 | X |
| 12 | 46810522 | SHIM 12X34X0,15 | X |
| 12 | 46810523 | SHIM 12X36X0,15 | X |
| 12 | 46810524 | SHIM 12X38X0,15 | X |
| 12 | 46810525 | SHIM 12X40X0,15 | X |
| 12 | 46810604 | SHIM 12X20X0,10 | X |
| 12 | 46810606 | SHIM 12X22X0,10 | X |
| 12 | 46810607 | SHIM 12X23X0,10 | X |
| 12 | 46810608 | SHIM 12X24X0,10 | X |
| 12 | 46810610 | SHIM 12X27X0,15 | X |
| 12 | 46810611 | SHIM 12X18X0,15 | X |
| 12 | 46810612 | SHIM 12X19X0,15 | X |
| 12 | 46810615 | SHIM 12X22X0,15 | X |
| 12 | 46810636 | BACKPLATE 12X16X0,30 | X |
| 12 | 46810637 | BACKPLATE 12X17X0,30 | X |
| 12 | 46810638 | BACKPLATE 12X18X0,30 | X |
| 12 | 46810639 | SHIM 12X19X0,30 | X |
| 12 | 46810641 | BACKPLATE 12X21X0,30 | X |
| 12 | 46811582 | BACKPLATE 12X30X0,10 | X |
| 12 | 46810631 | SHIM 12X20X0,25 | X |
| 12 | 46810633 | SHIM 12X22X0,25 | X |
| 12 | 46811580 | SHIM 12X32X0,10 | X |
| 12 | 46810503 | SHIM 12X32X0,25 | X |
| 12 | 46810517 | SHIM 12X24X0,15 | X |
| 12 | 46810856 | SHIM 12X20X0,3 CC | X |
| 12 | 46811258 | RING 12X24X2,5 | X |
| 12 | 46812018 | SHIM 12X42X0,25 | X |
| 12 | 46812015 | SHIM 12X44X0,20 | X |
| 12 | 46810613 | SHIM 12X20X0,15 | X |
| 12 | 46810623 | SHIM 12X21X0,20 | X |
| 12 | 46810624 | SHIM 12X22X0,20 | X |
| 12 | 46810642 | SHIM 12X22X0,30 | X |
| 12 | 46810643 | SHIM 12X23X0,30 | X |
| 12 | 46811629 | SHIM 12X28X0,10 | X |

080000190

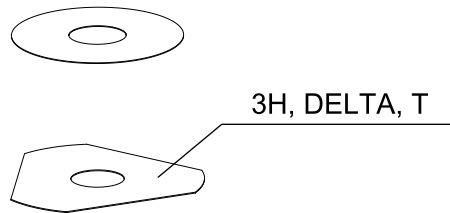
4668

* NEW PART

X ON DEMAND



- ⑤ Ø 5 mm
- ⑥ Ø 6 mm
- ⑧ Ø 8 mm
- ⑩ Ø 10 mm
- ⑫ Ø 12 mm
- ⑭ Ø 14-14,5 mm
- ⑯ Ø 16 mm
- ⑳ Ø 20 mm
- ㉑ Ø 21 mm
- ㉒ Ø 22 mm
- ㉓ Ø 23 mm
- ㉔ Ø 24,5 mm
- ㉘ Ø 28,5 mm
- ㉚ Ø 32 mm
- ㉜ Ø 52 mm



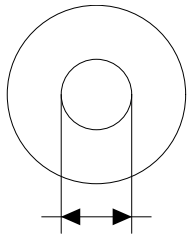
| POS | PARTNUMBER | PARTNAME | PIECE |
|-----|------------|--------------------------|-------|
| 12 | 46810511 | SHIM 12X30X0,30 | X |
| 12 | 46810514 | SHIM 12X36X0,30 | X |
| 12 | 46810506 | SHIM 12X38X0,25 | X |
| 12 | 46810515 | SHIM 12X38X0,30 | X |
| 12 | 46812017 | SHIM 12X42X0,20 | X |
| 12 | 46812016 | SHIM 12X44X0,25 | X |
| 12 | 46810622 | * SHIM 12X20X0,20 | X |
| 12 | 46811635 | CURVED WASHER 12X26X0,10 | X |
| 14 | 46811046 | SHIM 14,5X35,4X1,25 | X |
| 16 | 50180023 | SHIM 16X23X0,20 | X |
| 16 | 50180030 | SHIM | X |
| 16 | 50180006 | BACKPLATE 16X20X0,10 | X |
| 16 | 50180007 | SHIM 16X21X0,10 | X |
| 16 | 50180028 | SHIM 16X21X0,25 | X |
| 16 | 50180210 | WASHER 16X21X1 | X |
| 16 | 50180008 | SHIM 16X22X0,10 | X |
| 16 | 50180022 | SHIM 16X22X0,20 | X |
| 16 | 50180037 | SHIM 16X23X0,30 | X |
| 16 | 50180038 | SHIM 16X24X0,30 | X |
| 16 | 50180032 | SHIM 15X25X0,25 | X |
| 16 | 50180039 | SHIM 16X25X0,30 | X |
| 16 | 50180012 | SHIM 16X26X0,10 | X |
| 16 | 50180019 | SHIM 16X26X0,15 | X |
| 16 | 50180026 | SHIM 16X26X0,20 | X |
| 16 | 50180040 | SHIM 16X26X0,30 | X |
| 16 | 50180041 | SHIM 16X28X0,10 | X |
| 16 | 50180045 | SHIM 16X28X0,15 | X |
| 16 | 50180054 | SHIM 16X28X0,20 | X |
| 16 | 50180063 | SHIM 16X28X0,25 | X |
| 16 | 50180072 | SHIM 16X28X0,30 | X |
| 16 | 50180046 | SHIM 16X30X0,15 | X |
| 16 | 50180055 | SHIM 16X30X0,20 | X |
| 16 | 50180064 | SHIM 16X30X0,25 | X |
| 16 | 50180073 | SHIM 16X30X0,30 | X |
| 16 | 50180047 | SHIM 16X32X0,15 | X |
| 16 | 50180056 | SHIM 16X32X0,20 | X |
| 16 | 50180065 | SHIM 16X32X0,25 | X |
| 16 | 50180074 | SHIM 16X32X0,30 | X |

080000190

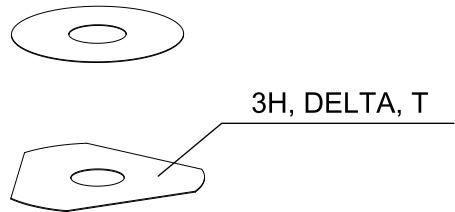
4668

* NEW PART

X ON DEMAND



- ⑤ Ø 5 mm
- ⑥ Ø 6 mm
- ⑧ Ø 8 mm
- ⑩ Ø 10 mm
- ⑫ Ø 12 mm
- ⑭ Ø 14-14,5 mm
- ⑯ Ø 16 mm
- ⑳ Ø 20 mm
- ㉑ Ø 21 mm
- ㉒ Ø 22 mm
- ㉓ Ø 23 mm
- ㉔ Ø 24,5 mm
- ㉘ Ø 28,5 mm
- ㉚ Ø 32 mm
- ㉜ Ø 52 mm



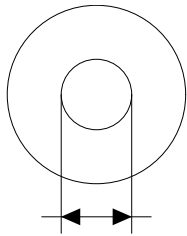
| POS | PARTNUMBER | PARTNAME | PIECE |
|-----|------------|-----------------------------|-------|
| 16 | 50180044 | SHIM 16X34X0,10 | X |
| 16 | 50180048 | SHIM 16X34X0,15 | X |
| 16 | 50180057 | SHIM 16X34X0,20 | X |
| 16 | 50180066 | SHIM 16X34X0,25 | X |
| 16 | 50180075 | SHIM 16X34X0,30 | X |
| 16 | 50180049 | SHIM 16X36X0,15 | X |
| 16 | 50180058 | SHIM 16X36X0,20 | X |
| 16 | 50180067 | SHIM 16X36X0,25 | X |
| 16 | 50180076 | SHIM 16X36X0,30 | X |
| 16 | 50180050 | SHIM 16X38X0,15 | X |
| 16 | 50180059 | SHIM 16X38X0,20 | X |
| 16 | 50180068 | SHIM 16X38X0,25 | X |
| 16 | 50180077 | SHIM 16X38X0,30 | X |
| 16 | 50180051 | SHIM 16X40X0,15 | X |
| 16 | 50180060 | SHIM 16X40X0,20 | X |
| 16 | 50180069 | SHIM 16X40X0,25 | X |
| 16 | 50180078 | SHIM 16X40X0,30 | X |
| 16 | 50180052 | SHIM 16X42X0,15 | X |
| 16 | 50180061 | SHIM 16X42X0,20 | X |
| 16 | 50180070 | SHIM 16X42X0,25 | X |
| 16 | 50180079 | SHIM 16X42X0,30 | X |
| 16 | 50180053 | SHIM 16X44X0,15 | X |
| 16 | 50180062 | SHIM 16X44X0,20 | X |
| 16 | 50180071 | SHIM 16X44X0,25 | X |
| 16 | 50180080 | SHIM 16X44X0,30 | X |
| 16 | 50180177 | WASHER 16X8,2X0,6 | X |
| 16 | 50180033 | SHIM 16X26X0,25 | X |
| 16 | 50180034 | BACKPLATE 16X20X0,30 | X |
| 16 | 50180035 | BACKPLATE 16X21X0,30 | X |
| 16 | 50180036 | BACKPLATE 16X22X0,30 | X |
| 16 | 50180043 | SHIM | X |
| 16 | 50180024 | SHIM 16X24X0,20 | X |
| 16 | 50180027 | SHIM 16X20X0,25 | X |
| 16 | 50180031 | SHIM | X |
| 16 | 50180029 | SHIM | X |
| 16 | 50180010 | SHIM 16X24X0,10 | X |
| 20 | 48600212 | PRESSURE-RING 20X16,25X0,20 | X |
| 20 | 50180666 | SHIM 20X24X0,30 | X |

080000190

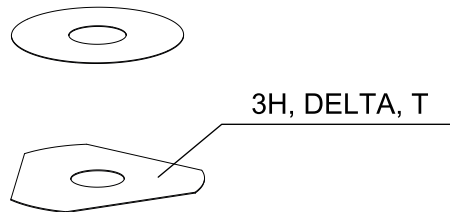
4668

* NEW PART

X ON DEMAND



- ⑤ Ø 5 mm
- ⑥ Ø 6 mm
- ⑧ Ø 8 mm
- ⑩ Ø 10 mm
- ⑫ Ø 12 mm
- ⑭ Ø 14-14,5 mm
- ⑯ Ø 16 mm
- ⑳ Ø 20 mm
- ㉑ Ø 21 mm
- ㉒ Ø 22 mm
- ㉓ Ø 23 mm
- ㉔ Ø 24,5 mm
- ㉘ Ø 28,5 mm
- ㉚ Ø 32 mm
- ㉜ Ø 52 mm



| POS | PARTNUMBER | PARTNAME | PIECE |
|-----|------------|--------------------------|-------|
| 20 | 50180654 | SHIM 20X36X0,20 | X |
| 20 | 50180655 | SHIM 20X38X0,20 | X |
| 20 | 50180656 | SHIM 20X40X0,20 | X |
| 20 | 50180665 | SHIM 20X40X0,25 | X |
| 20 | 50180662 | SHIM 20X34X0,25 | X |
| 20 | 50180657 | SHIM 20X24X0,25 | X |
| 20 | 50180653 | SHIM 20X34X0,20 | X |
| 20 | 50180634 | RING 20X22,9X1 | X |
| 20 | 50180650 | SHIM 20,2X28X0,20 | X |
| 20 | 50180663 | SHIM 20X36X0,25 | X |
| 20 | 50180664 | SHIM 20X38X0,25 | X |
| 20 | 50180659 | SHIM 20,2X28X0,25 | X |
| 21 | 50180209 | WASHER 21X36X0,25 | X |
| 22 | 50180330 | PRESS. RING 22X18X0,30 | X |
| 23 | 50180635 | SHUTTLE VALVE 23X38X0,25 | X |
| 23 | 50180578 | SHIM D23XD16X2 | X |
| 24 | 40541061 | WASHER 24,5X34X2 | X |
| 28 | 36120469 | SHIM 28,5X14X2 | X |
| 28 | 36120471 | SHIM 28,5X14X5 | X |
| 32 | 48600460 | WASHER 32X42X2,5 | X |
| 32 | 50600065 | SHIM 32X45X2 | X |
| 32 | 46811637 | PRESSURE RING 36X32,25 | X |
| 52 | 50600002 | SHIM 52X59X2,2 | X |

080000190

4668

* NEW PART

X ON DEMAND

A large, empty rectangular box with a thin black border, occupying the majority of the page. It is intended for students to write their notes during the 1090 Adventure 2017 event.

A large, empty rectangular box with a thin black border, occupying the majority of the page. It is intended for students to write their notes during the 1090 Adventure 2017 event.

A large, empty rectangular box with a thin black border, occupying the majority of the page. It is intended for students to write their notes during the 1090 Adventure 2017 event.

WWW.KTM.COM



KTM Sportmotorcycle GmbH
5230 Mattighofen, Austria
www.ktm.com



KTM_POWERPARTS

KTM_POWERWEAR

KTM_ORIGINAL SPARE PARTS



F9903QCEN

Art. Nr.: F9903QCEN 1.0. Mär 2017